

TM-ZX290 41047701146A FRAME

PB0000363-00 SYSTEM (ZX290,DOMESTIC)

ASSEMBLY

CLICK HERE TO **DOWNLOAD** THE COMPLETE MANUAL

- Thank you very much for reading the preview of the manual.
- You can download the complete manual from: www.heydownloads.com by clicking the link below



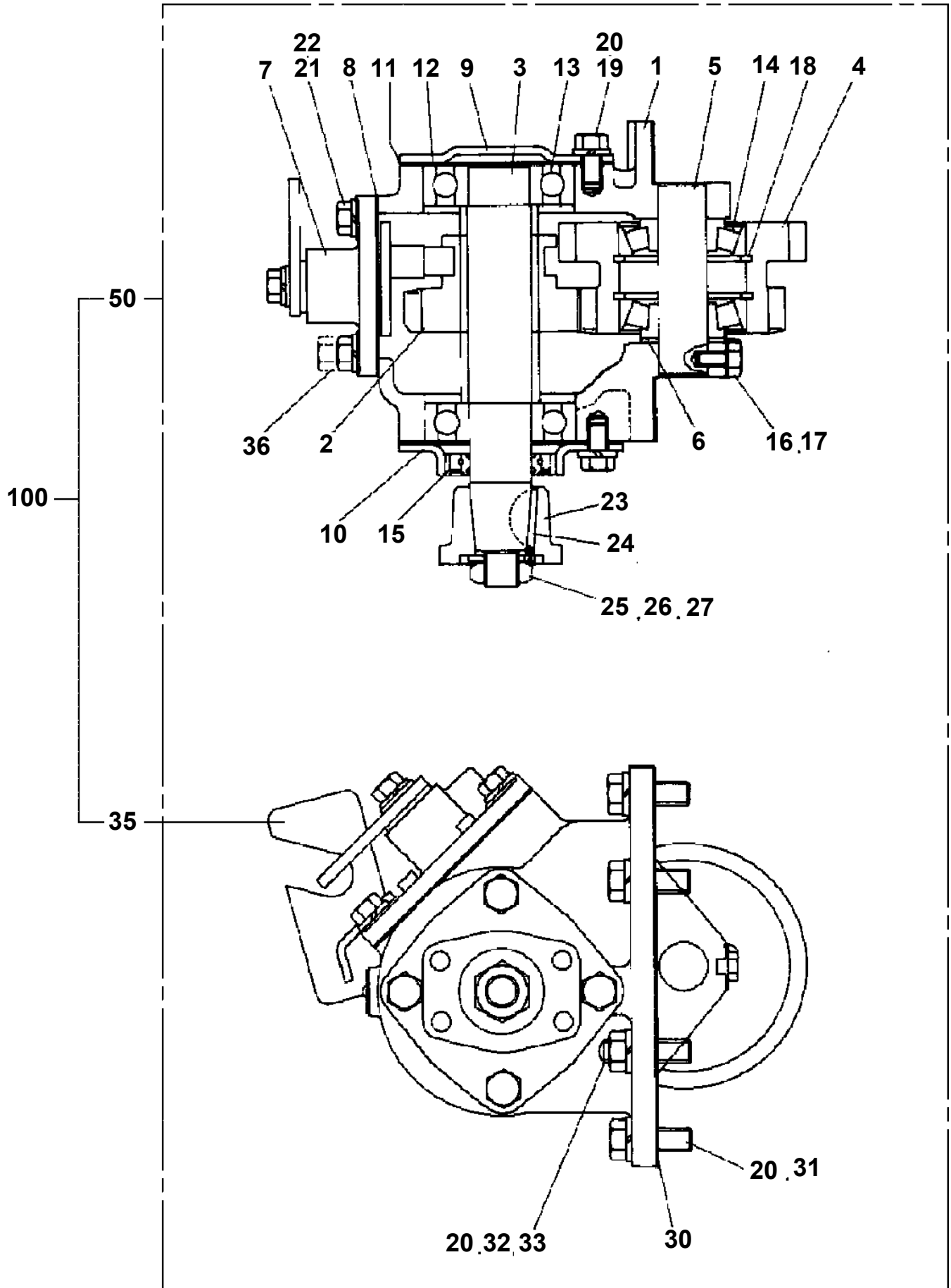
- Please note: If there is no response to CLICKING the link, please download this PDF first and then click on it.

CLICK HERE TO **DOWNLOAD** THE COMPLETE MANUAL

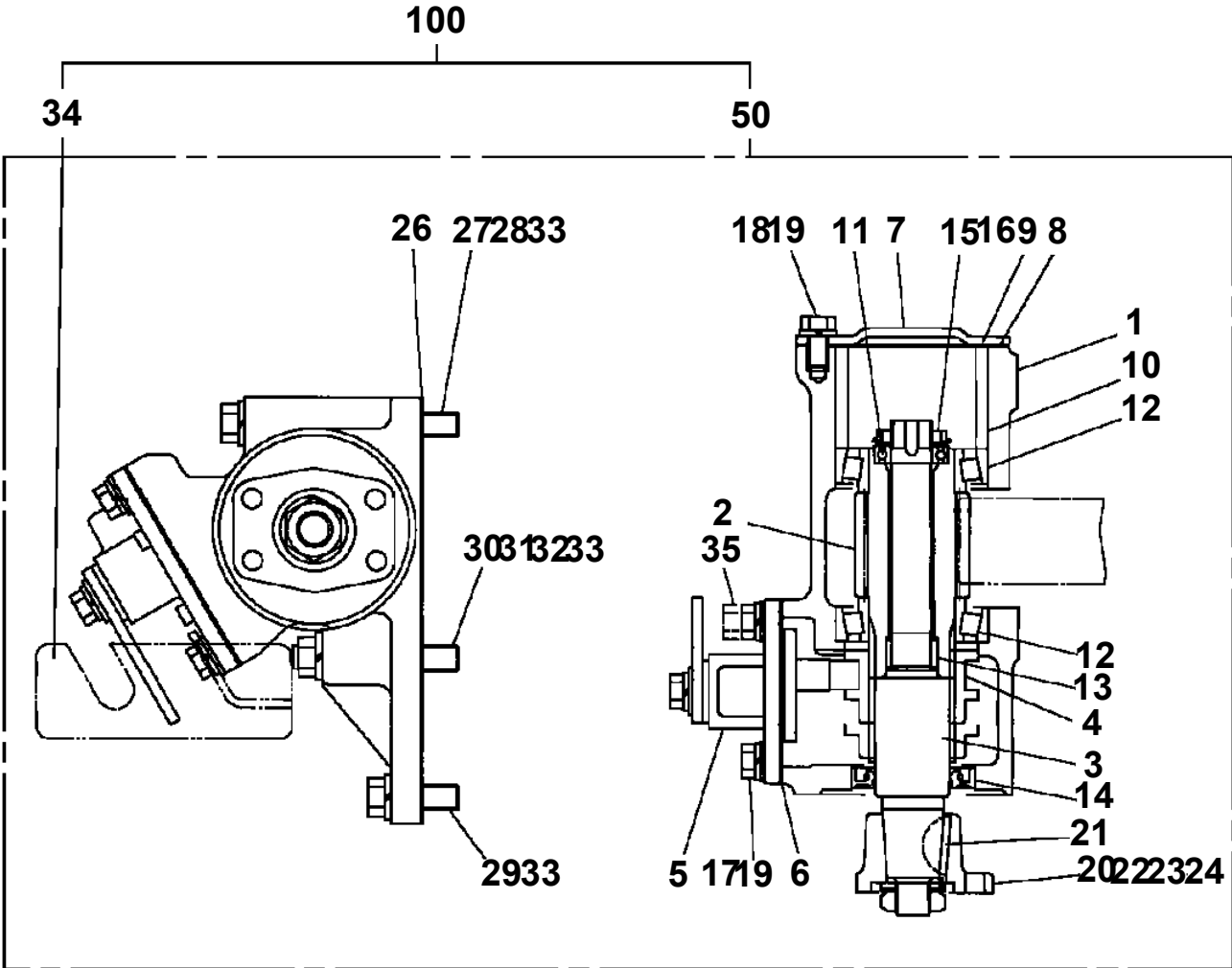
TM-ZX290 41047701146A FRAME

Pos No.	Parts No	Parts Name	Qty	Unit	Technical Data	Serial No (Start)	Serial No (End)	R	
1	31792270000	POWER TAKE OFF	1						
	31790900000	POWER TAKE OFF	1						
	31792150000	POWER TAKE OFF	1						
	31792100000	POWER TAKE OFF	1						
	31792260000	POWER TAKE OFF	1						
	31790890000	POWER TAKE OFF	1						
	31792370000	POWER TAKE OFF	1						
	31792080000	POWER TAKE OFF	1						
	31790990000	POWER TAKE OFF	1						
	31792090000	POWER TAKE OFF	1						
	31790880000	POWER TAKE OFF	1						
	31792380000	POWER TAKE OFF	1						
	2	31791220000	POWER TAKE OFF	1					
		31790710000	POWER TAKE OFF	1					
		31791100000	POWER TAKE OFF	1					
		31791110000	POWER TAKE OFF	1					
		31791620000	POWER TAKE OFF	1					
31791190000		POWER TAKE OFF	1						
31792230000		POWER TAKE OFF	1						
31792240000		POWER TAKE OFF	1						
31792250000		POWER TAKE OFF	1						
31792480000		POWER TAKE OFF	1						
31791080000		POWER TAKE OFF	1						
31792120000		POWER TAKE OFF	1						
31791170000		POWER TAKE OFF	1						
31791090000		POWER TAKE OFF	1						
31790970000		POWER TAKE OFF	1						
31791130000		POWER TAKE OFF	1						
31791180000		POWER TAKE OFF	1						
31791240000		POWER TAKE OFF	1						
31791570000		POWER TAKE OFF	1						
31790730000		POWER TAKE OFF	1						
31791120000		POWER TAKE OFF	1						
31791610000		POWER TAKE OFF	1						
31792490000		POWER TAKE OFF	1						
31792220000	POWER TAKE OFF	1							
3	31792220000	POWER TAKE OFF	1						
	31791170000	POWER TAKE OFF	1						
	31790730000	POWER TAKE OFF	1						
	31791190000	POWER TAKE OFF	1						
	31791180000	POWER TAKE OFF	1						
	31792230000	POWER TAKE OFF	1						
	31792240000	POWER TAKE OFF	1						
	31791080000	POWER TAKE OFF	1						
	31791050000	POWER TAKE OFF	1						
	31790970000	POWER TAKE OFF	1						
	31792120000	POWER TAKE OFF	1						
	31791110000	POWER TAKE OFF	1						
	31791120000	POWER TAKE OFF	1						
	31791130000	POWER TAKE OFF	1						
	31791240000	POWER TAKE OFF	1						
	31791570000	POWER TAKE OFF	1						
	31791610000	POWER TAKE OFF	1						
	31791620000	POWER TAKE OFF	1						
	31792250000	POWER TAKE OFF	1						
	31790710000	POWER TAKE OFF	1						
	31791100000	POWER TAKE OFF	1						
	31791220000	POWER TAKE OFF	1						
	31791090000	POWER TAKE OFF	1						
4	31790730000	POWER TAKE OFF	1						
	31790710000	POWER TAKE OFF	1						
5	31790860000	POWER TAKE OFF	1						
	52230312000	POWER TAKE OFF (WITH TURBO)	1						

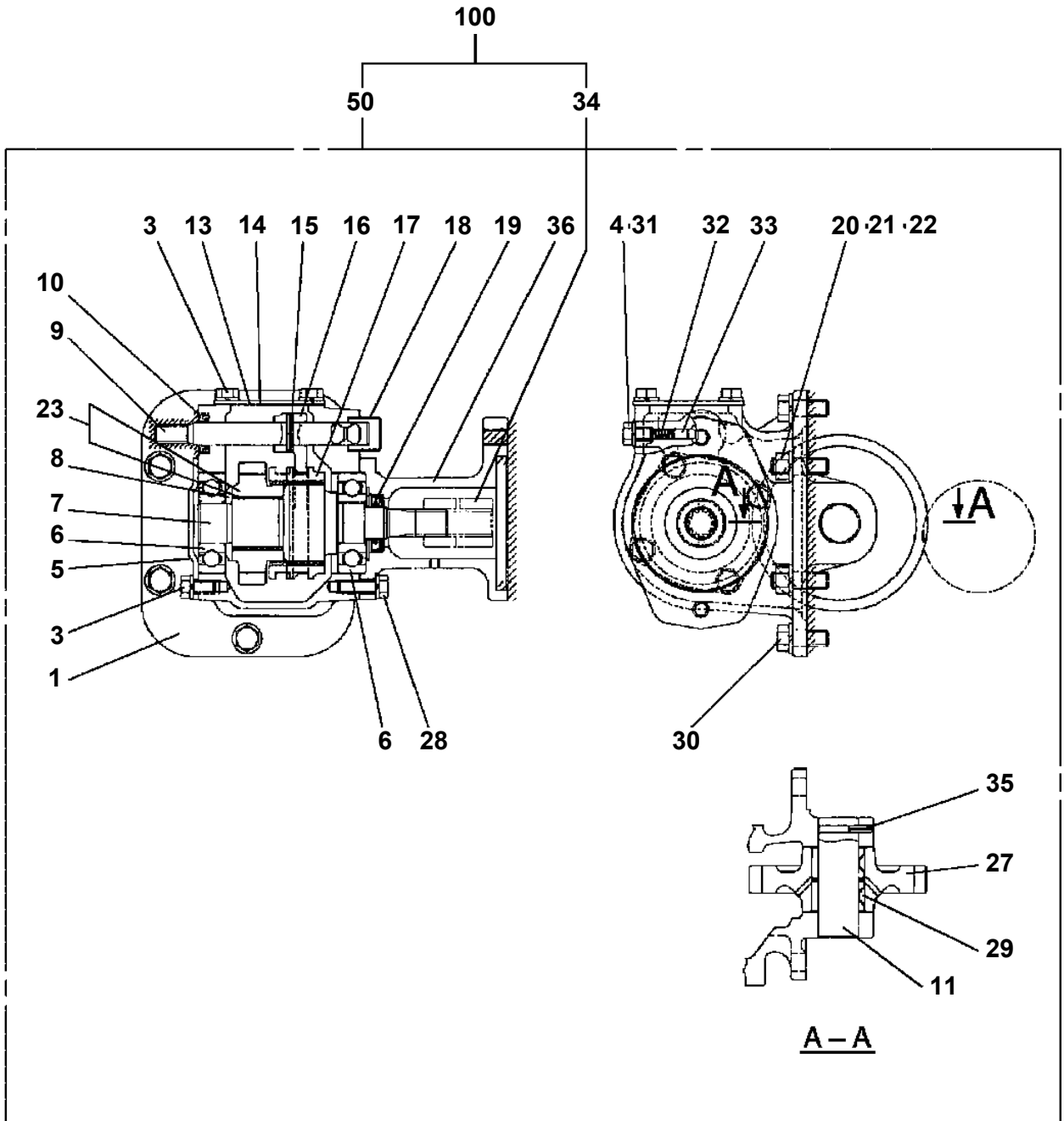
TM-ZX290 41047701146A FRAME
PB1030063-02 POWER TAKE OFF



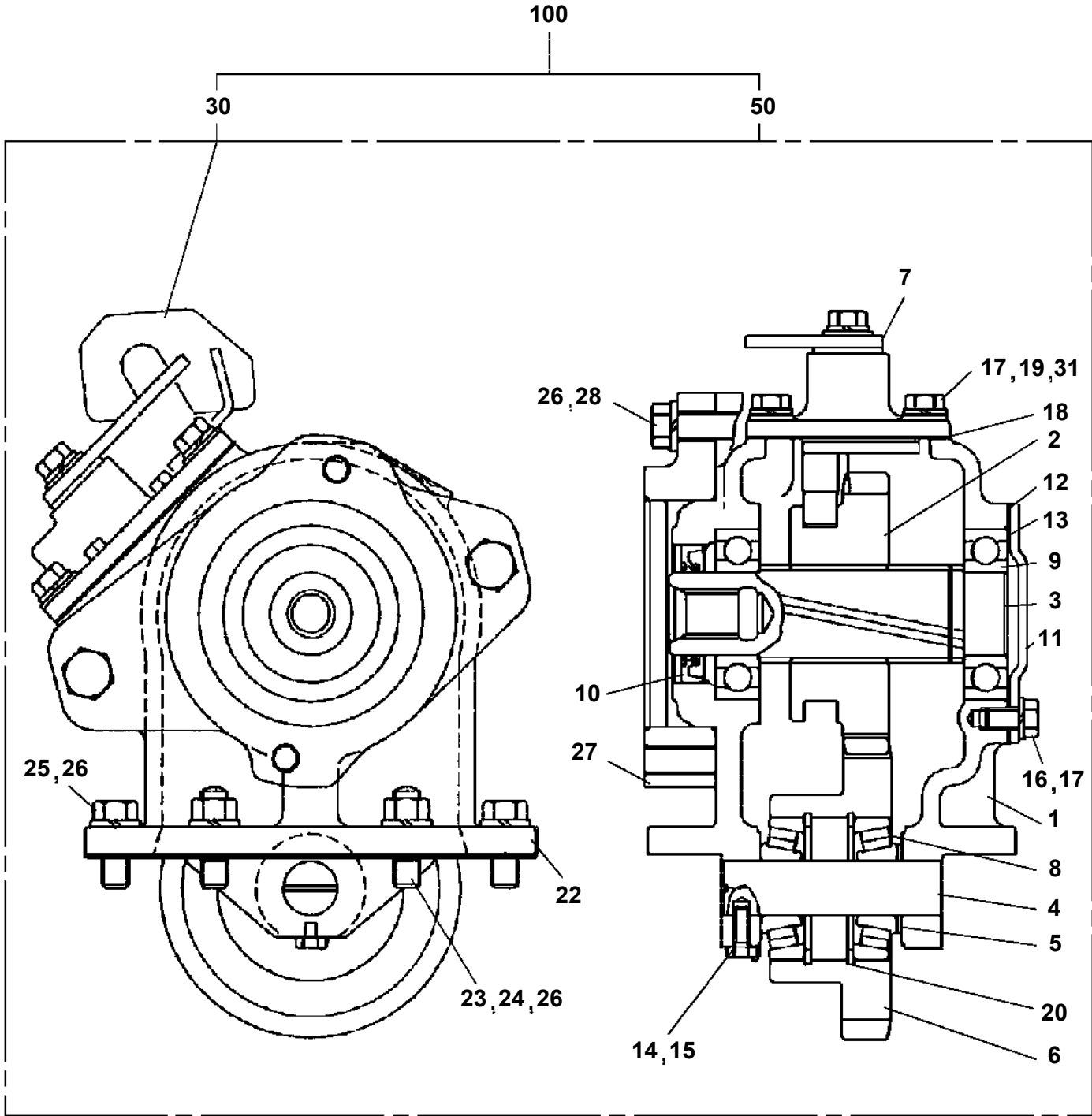
**TM-ZX290 41047701146A FRAME
PB1030131-01 POWER TAKE OFF**



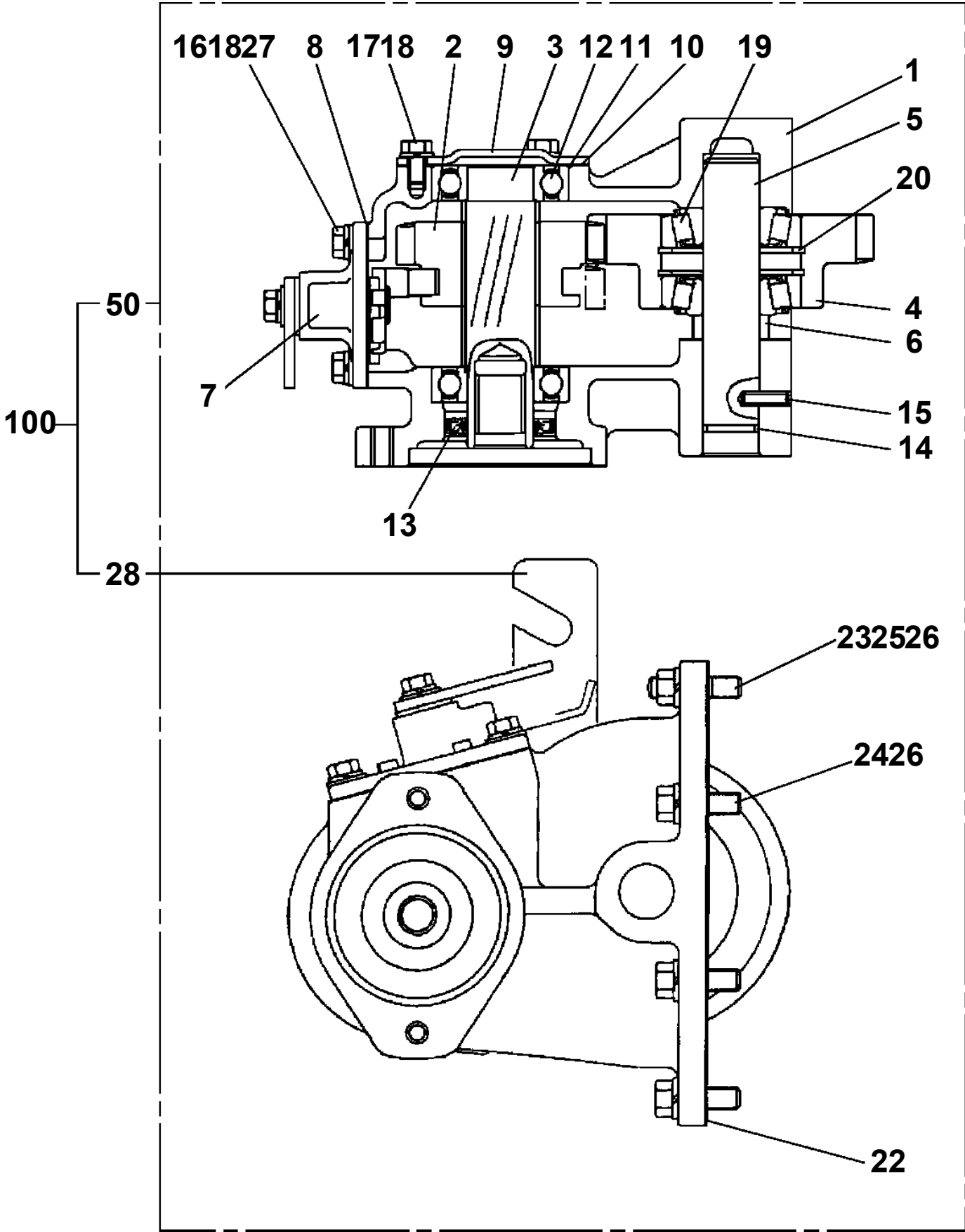
TM-ZX290 41047701146A FRAME
PB1030163-02 POWER TAKE OFF



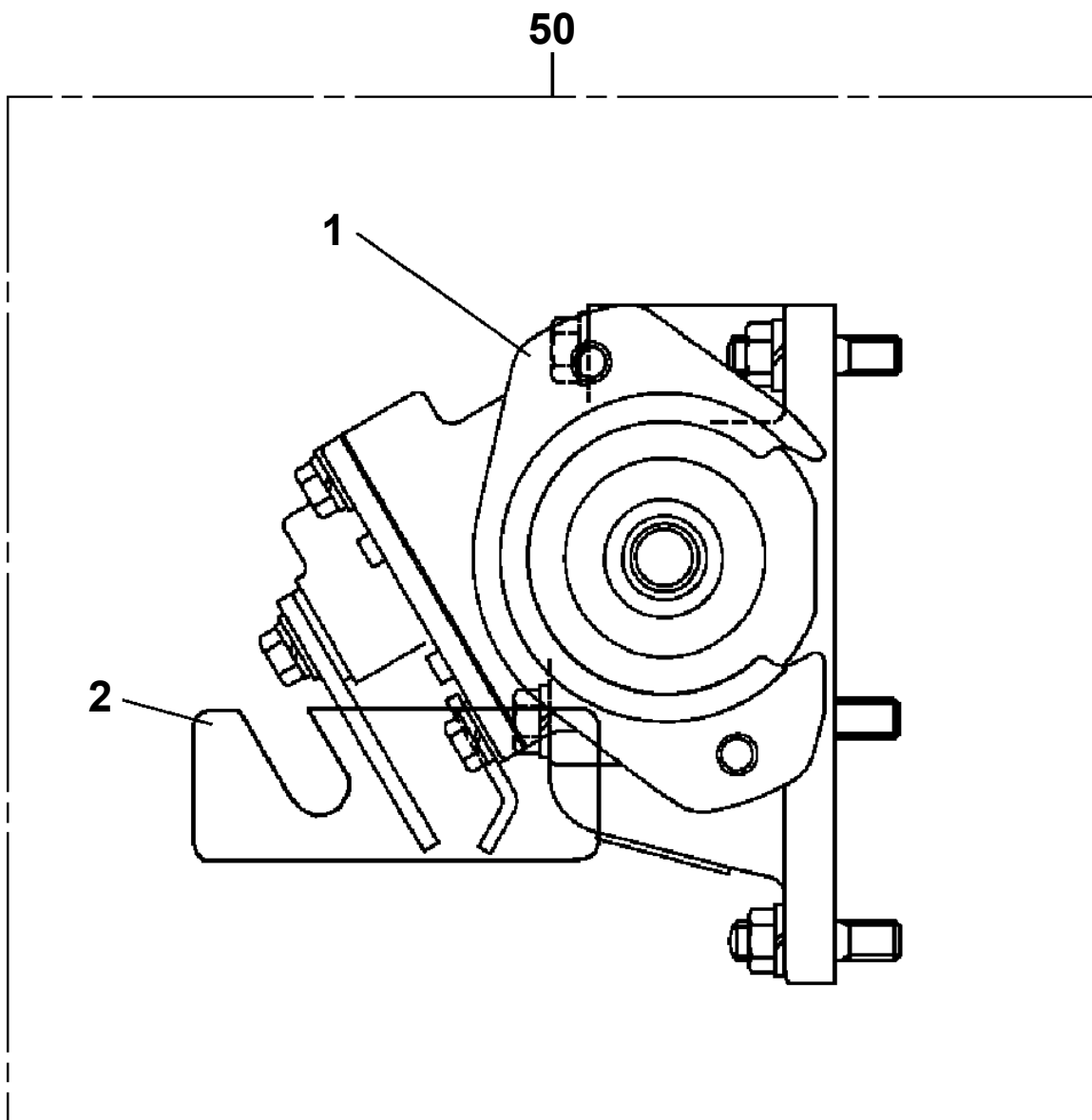
**TM-ZX290 41047701146A FRAME
PB1030171-02 POWER TAKE OFF**



TM-ZX290 41047701146A FRAME
PB1030192-01 POWER TAKE OFF



TM-ZX290 41047701146A FRAME
PB1030204-00 POWER TAKE OFF



TM-ZX290 41047701146A FRAME

Pos No.	Parts No	Parts Name	Qty	Unit	Technical Data	Serial No (Start)	Serial No (End)	Remarks
1	36401895070	CASE	1					
2	36401885020	GEAR	1					
3	36400915030	SHAFT	1					
4	36401885030	GEAR	1					
5	36400415050	SHAFT	1					
6	36400675030	COLLAR	1					
7	36400095100	SHIFTER ASSY	1					
8	36400095110	PACKING	1					
9	36400095070	COVER (BEARING)	1					
10	36400095080	PACKING (COVER)	1					
11	36400095090	SHIM	N					
12	80500006206	BEARING,BALL	2					
13	91206030005	SEAL,OIL	1					
14	91001102100	O-RING	1		1A P21			
15	90710006200	SCREW,SET	1		M6X20			
16	90191208020	BOLT	4		M8X20			
17	90191208014	BOLT	3		M8X14			
18	90302040801	WASHER,SPRING	7		8			
19	36400135070	BEARING	2					
20	80602110620	RING,RITAINING	2		R62			
22	36401885050	PACKING	1					
24	90191210030	BOLT	6		M10X30			
25	90267201000	NUT	2		M10			
26	90302041001	WASHER,SPRING	8		10			
28	31790670100	SUPPORT	1					
29	90191208025	BOLT	2		M8X25			
60	36402100000	POWER TAKE OFF ASSY	1					
61	36401695040	BOLT,STUD	2		M10X1.25/1.5X47			
100	31791240000	POWER TAKE OFF	1					

TM-ZX290 41047701146A FRAME

Pos No.	Parts No	Parts Name	Qty	Unit	Technical Data	Serial No (Start)	Serial No (End)	Remarks	Pages
1	36401135050	CASE	1						
2	36401135060	GEAR (TO)	1						
3	36401125030	SHAFT (TO)	1						
4	36401125040	SLEEVE	1						
5	36401125050	SHIFTER SET	1						
6	36400095110	PACKING	1						
7	36400095070	COVER (BEARING)	1						
8	36400095080	PACKING (COVER)	1						
9	36400095090	SHIM	N						
10	36401135070	COLLAR	1						
11	80500006903	BEARING,BALL	1						
12	36401125080	BEARING,ROLLER	2						
13	36401125090	BEARING,NEEDLE	1						
14	91206030005	SEAL,OIL	1						
15	36401125100	RING,RETAINING	1						
16	90191208020	BOLT	4		M8X20				
17	90191208014	BOLT	3		M8X14				
18	90302040801	WASHER,SPRING	7		8				
20	36402015020	PACKING	2						
21	36402025030	BOLT	1		M10X1.5X115				
22	36402015040	BOLT	1		M10X1.5X105				
23	90191210045	BOLT	2		M10X45				
24	36402015010	BOLT,STUD	1						
25	36402025010	BOLT,STUD	1						
26	90267201000	NUT	2		M10				
27	90302041001	WASHER,SPRING	6		10				
28	36402025020	SPACER	1						
30	90191208025	BOLT	2		M8X25				
51	36402020000	POWER TAKE OFF	1						
52	31790880100	SUPPORT	1						
100	31792090000	POWER TAKE OFF	1						

TM-ZX290 41047701146A FRAME

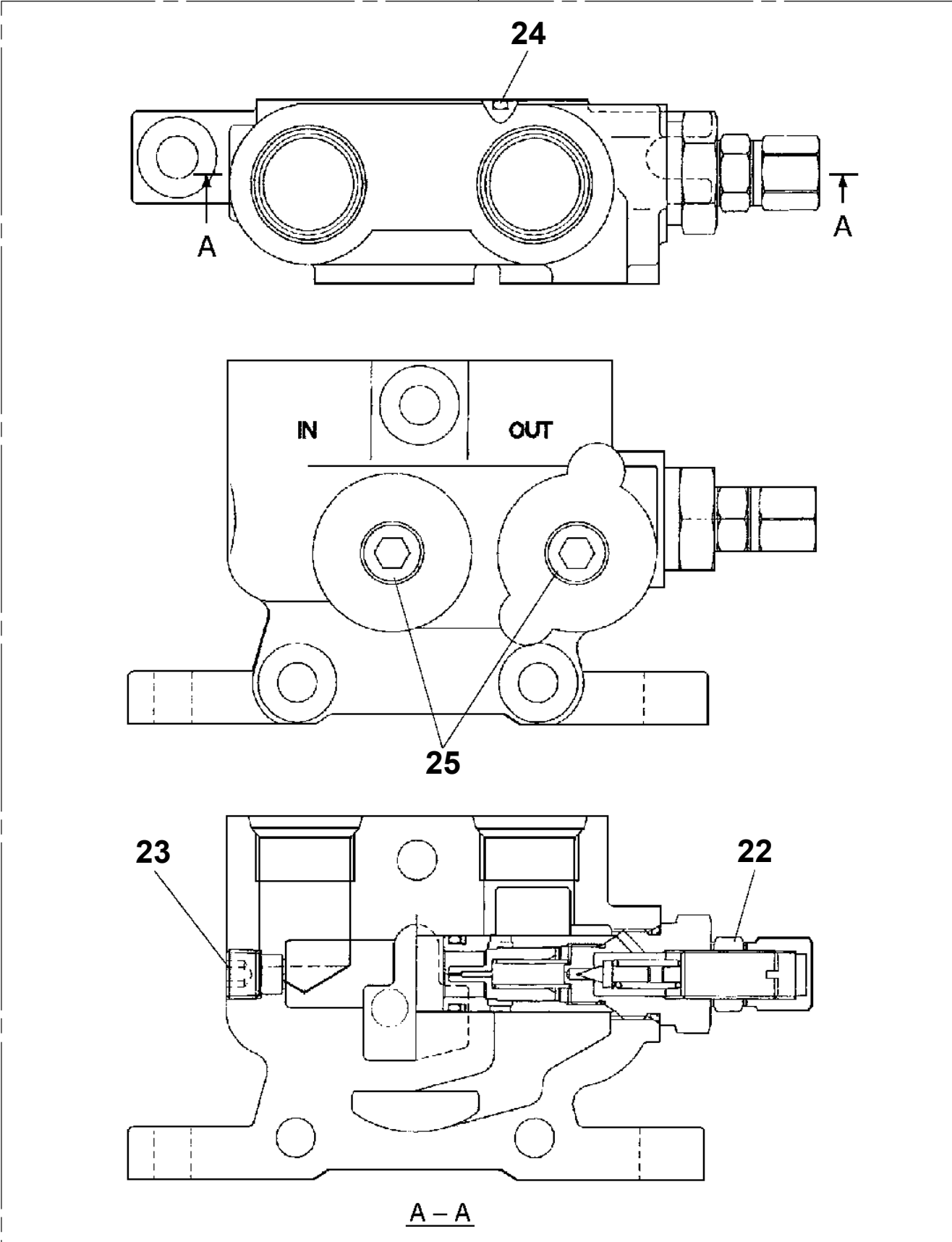
Pos No.	Parts No	Parts Name	Qty	Unit	Technical Data	Serial No (Start)	Serial No (End)	Remarks
1	36401995010	CASE	1					
2	36401995020	GEAR	1					
3	36402125010	SHAFT	1					
4	36400095040	SHAFT	1					
5	36400095050	COLLAR	1					
6	36401995040	GEAR	1					
7	36400095070	COVER (BEARING)	1					
8	36400095080	PACKING (COVER)	1					
9	36400095090	SHIM	N					
10	36401995050	SHIFTER ASSY	1					
11	36400095110	PACKING	1					
12	80500006206	BEARING,BALL	2					
13	91206030005	SEAL,OIL	1					
14	90191208014	BOLT	3		M8X14			
15	90191208020	BOLT	4		M8X20			
16	90101206012	BOLT	1		M6X12			
17	90302040801	WASHER,SPRING	7		8			
18	36400095130	WASHER	1					
19	36401745060	BEARING	2					
20	80602110470	RING,RITAINING	2		R47			
22	36400055070	PACKING	1					
23	36401995060	BOLT	4					
24	90267401000	NUT	4		M10			
25	90302041001	WASHER,SPRING	6		10			
26	90193510035	BOLT	2		M10X35			
28	90191208025	BOLT	2		M8X25			
50	36402120000	POWER TAKE OFF ASSY	1					
60	31791160100	SUPPORT	1					
100	31792240000	POWER TAKE OFF	1					

TM-ZX290 41047701146A FRAME

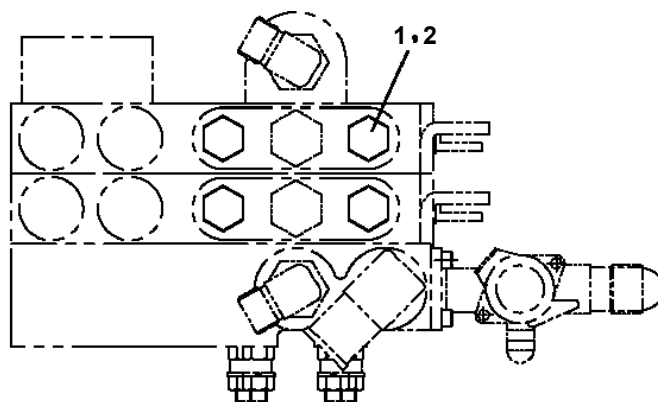
Pos No.	Parts No	Parts Name	Qty	Unit	Technical Data	Serial No (Start)	Serial No (End)	Remarks
1	36402470510	CASE	1					
2	36402470520	GEAR	1					
3	36402470530	SHAFT	1					
4	36401125040	SLEEVE	1					
5	36401125050	SHIFTER SET	1					
6	36400095110	PACKING	1					
7	36400095070	COVER (BEARING)	1					
8	36400095080	PACKING (COVER)	1					
9	36400095090	SHIM	N					
10	36402470540	COLLAR	1					
11	80500006903	BEARING,BALL	1					
12	36401125080	BEARING,ROLLER	2					
13	36401125090	BEARING,NEEDLE	1					
14	91206030005	SEAL,OIL	1					
15	36401125100	RING,RETAINING	1					
16	90191208020	BOLT	4		M8X20			
17	90191208014	BOLT	3		M8X14			
18	90302040801	WASHER,SPRING	7		8			
20	36402015020	PACKING	2					
21	36402035040	BOLT	1		M10X1.5X120			
22	36402035050	BOLT	1		M10X1.5X110			
23	90191210050	BOLT	2		M10X50			
24	36402035010	BOLT,STUD	1					
25	36402035020	BOLT,STUD	1					
26	90267201000	NUT	2		M10			
27	90302041001	WASHER,SPRING	6		10			
28	36402470550	SPACER	1					
30	90191208025	BOLT	2		M8X25			
50	36402470000	POWER TAKE OFF ASSY	1					
60	31790990100	SUPPORT	1					
100	31792370000	POWER TAKE OFF	1					

TM-ZX290 41047701146A FRAME
PB1320517-00 VALVE, MANUAL CONTROL (DUMP)

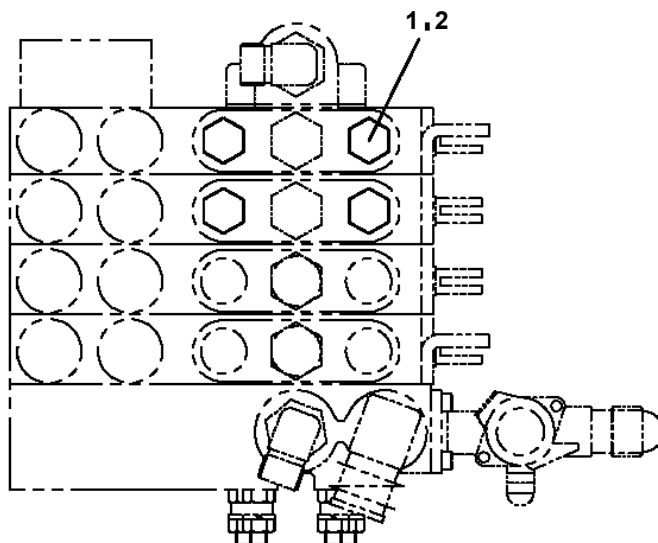
6



TM-ZX290 41047701146A FRAME
PB1910181-01 PIPING (WINCHLESS/PLUG:CARRYOVER VALVE)

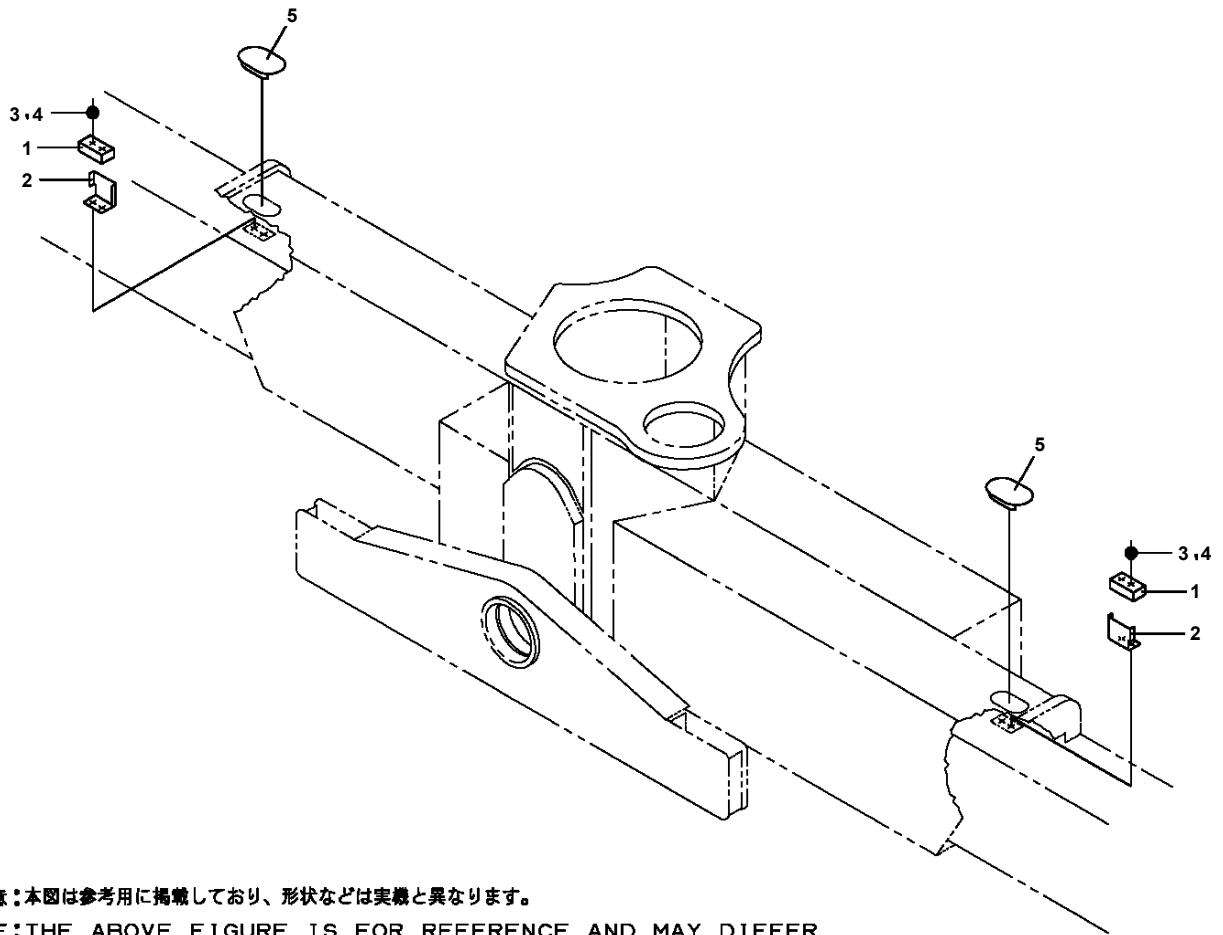


(ZE300SL , ZE/ZX2連バブル)



(ZE360SL)

**TM-ZX290 41047701146A FRAME
PC1011532-01 OUTRIGGER (STOPPER ASSY)**



注 意：本図は参考用に掲載しており、形状などは実機と異なります。

NOTE: THE ABOVE FIGURE IS FOR REFERENCE AND MAY DIFFER FROM THE ACTUAL APPEARANCE OF YOUR MACHINE.

TM-ZX290 41047701146A FRAME

Pos No.	Parts No	Parts Name	Qty	Unit	Technical Data	Serial No (Start)
1	91002801000	O-RING	2		1B P10	
2	90172110040	BOLT,HEXAGON SOCKET	2		M10X40	
3	36623930000	VALVE,PILOT CHECK	1			
4	80491002020	JOINT (WITH O-RING)	2			
5	36036470000	CYLINDER ASSY,JACK (MIN.647:FRICITION-WELDED)	1			
11	91002801100	O-RING	2		1B P11	

TM-ZX290 41047701146A FRAME

Pos No.	Parts No	Parts Name	Qty	Unit	Technical Data	Serial No (Start)
1	36036471000	CYLINDER	1			
2	90211203000	NUT	1		M30X3/2	
3	36032110300	PISTON	1			
4	91350207500	BEARING,PLAIN (WITH PACKINGX2)	1			
5	91002903000	O-RING	1		1B G30	
6	36010130080	COVER,ROD	1			
7	91002907000	O-RING	1		1B G70	
8	91694006000	PACKING	1			
9	91660006001	SEAL,DUST	1			
10	36036472100	ROD	1			
30	36033909900	PACKING SET	1		60X75	
50	36036480000	CYLINDER ASSY,JACK (FRICTION-WELDED,MIN.638)	1			

TM-ZX290 41047701146A FRAME

Pos No.	Parts No	Parts Name	Qty	Unit	Technical Data	Serial No (Start)	Serial No (End)	Remarks	Pages
1	31271863200	COVER	2						
2	82400000702	CLIP	8						

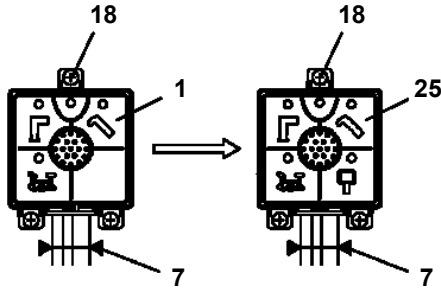
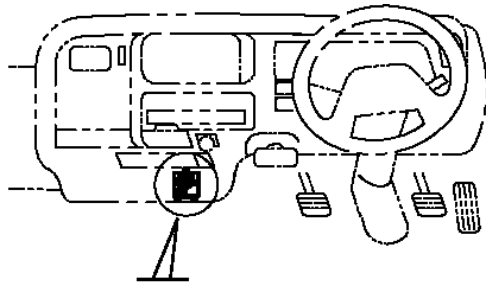
TM-ZX290 41047701146A FRAME

Pos No.	Parts No	Parts Name	Qty	Unit	Technical Data	Serial No (Start)	Serial No (End)	Remarks
1	91002801400	O-RING	1		1B P14			
100	36150080000	DETECTOR ASSY,MOMENT	1					

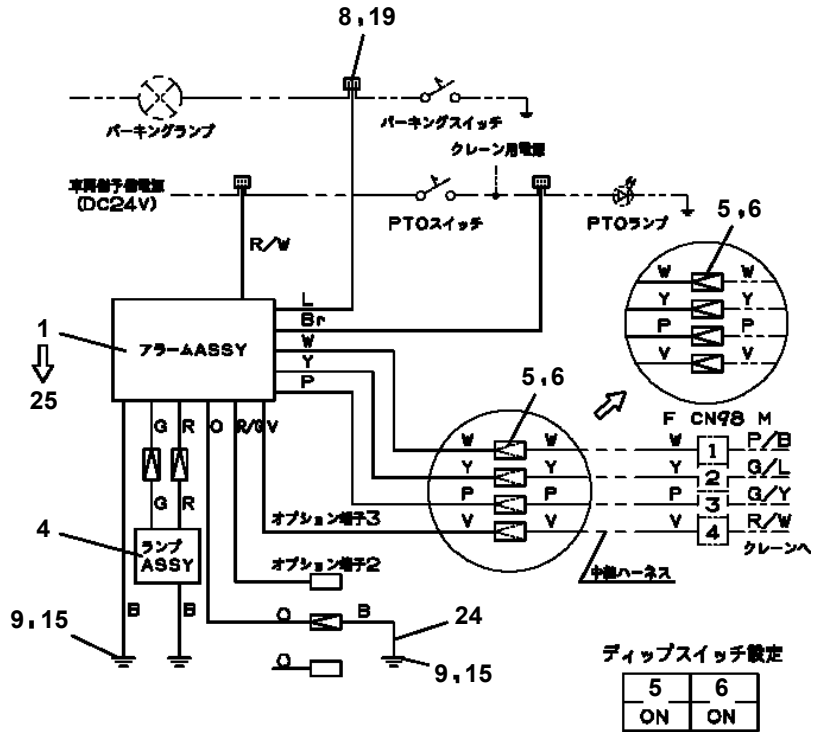
TM-ZX290 41047701146A FRAME

Pos No.	Parts No	Parts Name	Qty	Unit	Technical Data	Serial No (Start)	Serial No (End)	Remarks	Pa
1	31653600500	PLUG (8POLES,MALE)	1						
2	31474661600	PLUG (2-POES,MALE)	1						

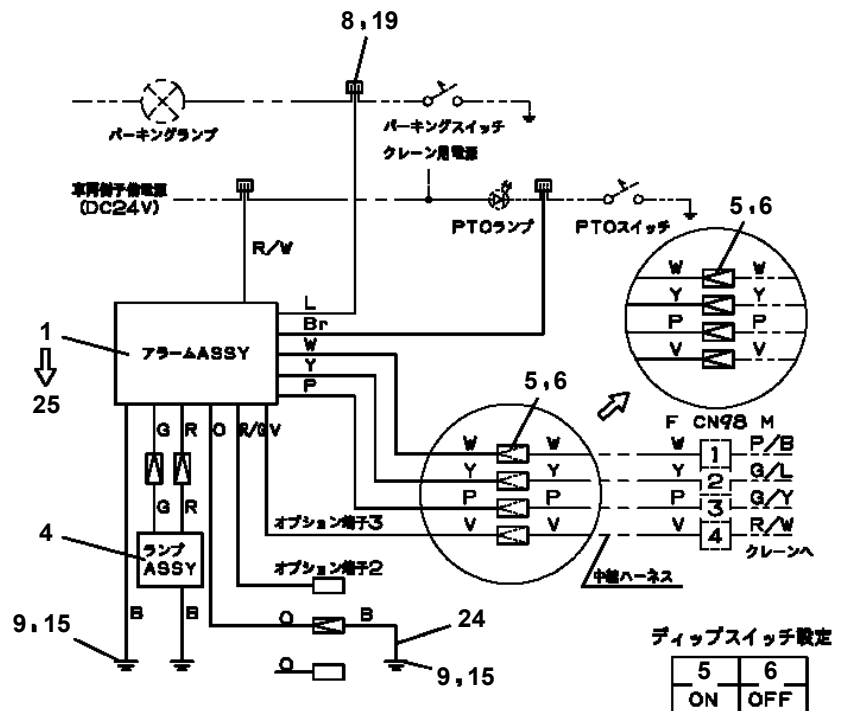
TM-ZX290 41047701146A FRAME
 PE5021239-02 ELEC.ASSY (MOUNTING VEHICLE)



アラームASSY取付



パーキングランプの下流にパーキングスイッチがあり、
 PTOランプの上流にPTOスイッチがある場合



パーキングランプの下流にパーキングスイッチがあり、
 PTOランプの下流にPTOスイッチがある場合

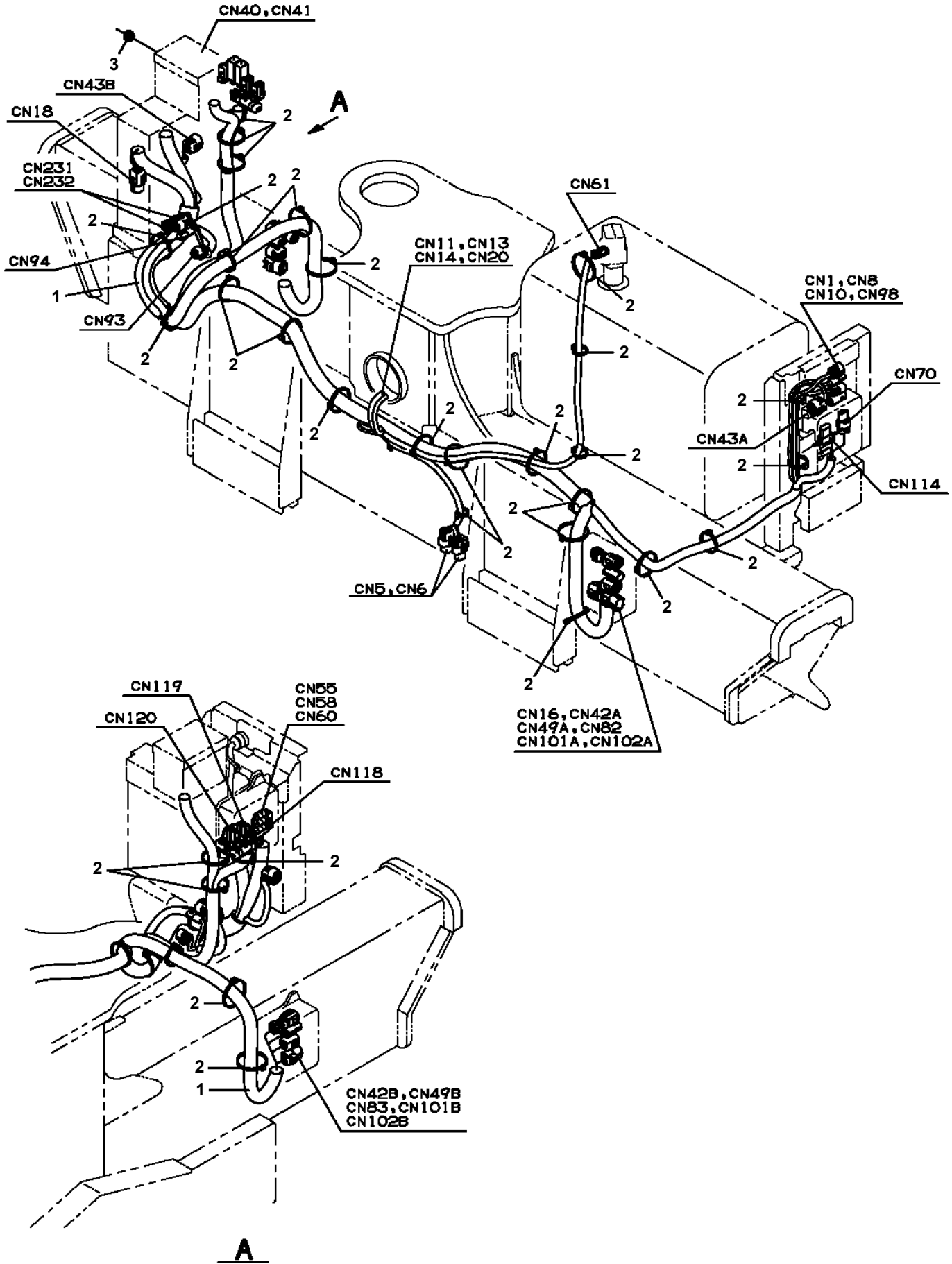
TM-ZX290 41047701146A FRAME

Pos No.	Parts No	Parts Name	Qty	Unit	Technical Data	Serial No (Start)	Serial No (End)	Remarks
1	31506151100	HARNESS	1					
2	34354781710	RELAY (WITH BRACKET)	2					
3	90280200600	NUT,FLANGE	2		M6			
4	80197586012	SCREW,MACHINE	2		M6X12			
5	91810130250	FASTENER	6					

TM-ZX290 41047701146A FRAME

Pos No.	Parts No	Parts Name	Qty	Unit	Technical Data	Serial No (Start)	Serial No (End)	Remarks	Pages
1	31361312100	HARNESS	1						000146

TM-ZX290 41047701146A FRAME
PE5021347-00 ELEC.ASSY



TM-ZX290 41047701146A FRAME
PE5021366-00 ELEC.ASSY (SS COMBINATION, FOR SS-38:ZX260/290)

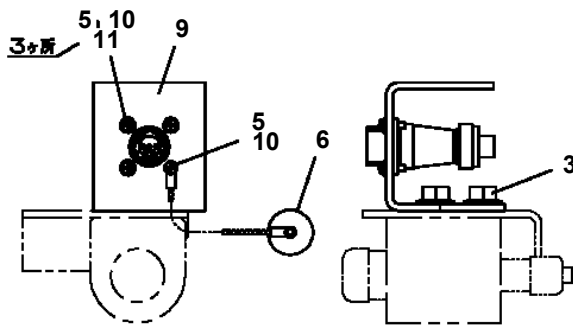
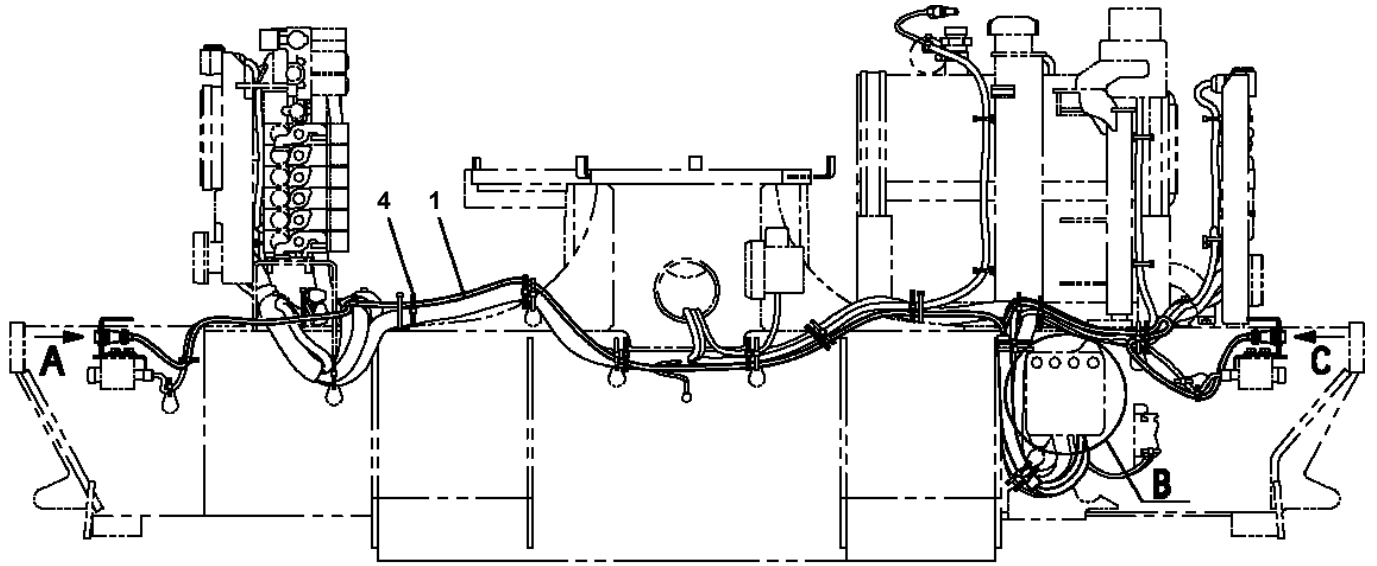
ハイセンASSY (SSハイヨウ, SS-38ヨウ; ZX260/290)
ELEC.ASSY (SS COMBINATION, FOR SS-38:ZX260/290)

符号	日本語名称	英語名称	備考
1	ハイセンASSY	ELEC.ASSY	本体部
2	ハイセンASSY	ELEC.ASSY	接続部
3	ネームプレートASSY	NAME PLATE ASSY	一旦前進
7	ハイセンASSY	ELEC.ASSY	SS作業灯部
8	ハイセンASSY	ELEC.ASSY	SSラジコン取り外し

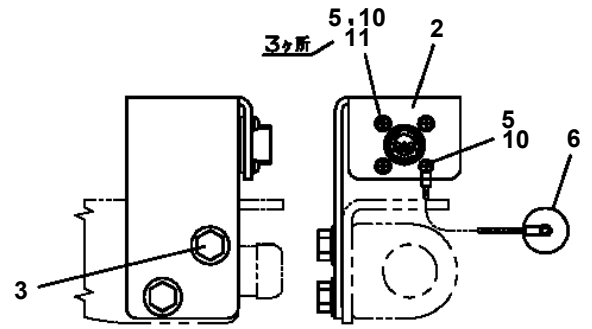
適用製造番号によっては取り付けがないものもあります。

MACHINES OF SOME SERIAL NO. ARE NOT EQUIPPED WITH THESE PARTS.

TM-ZX290 41047701146A FRAME
 PE5021401-00 ELEC.ASSY

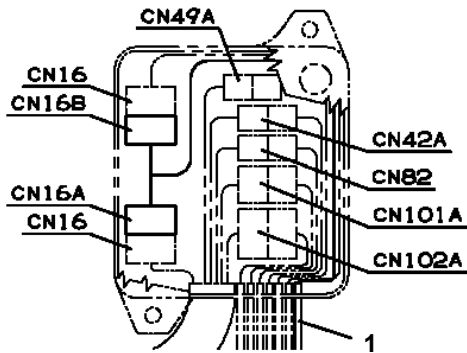


ZX300/360SL 以外の場合

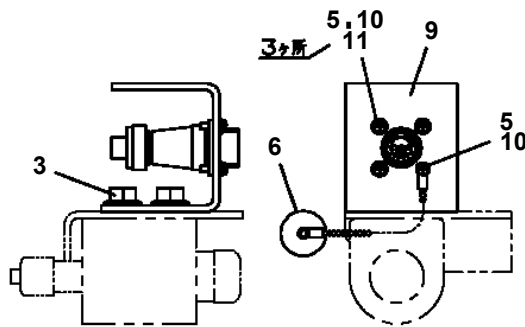


ZX300/360SL の場合

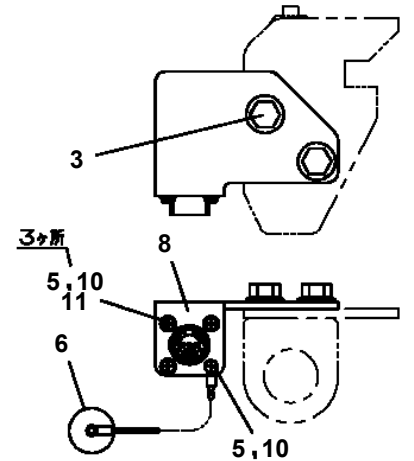
A



B



ZX300/360SL 以外の場合



ZX300/360SL の場合

C

TM-ZX290 41047701146A FRAME
PE5021471-00 ELEC.ASSY

ハイセンASSY
ELEC.ASSY

符号	日本語名称	英語名称	備考
1	ハイセンASSY	ELEC.ASSY	本体部
2	ハイセンASSY	ELEC.ASSY	接続部

適用製造番号によっては取り付けがないものもあります。

MACHINES OF SOME SERIAL NO. ARE NOT EQUIPPED WITH THESE PARTS.

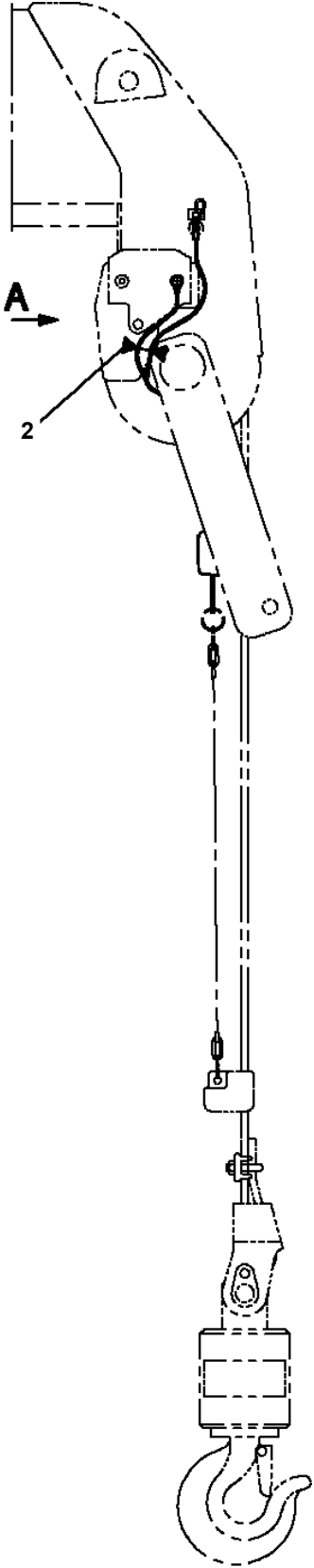
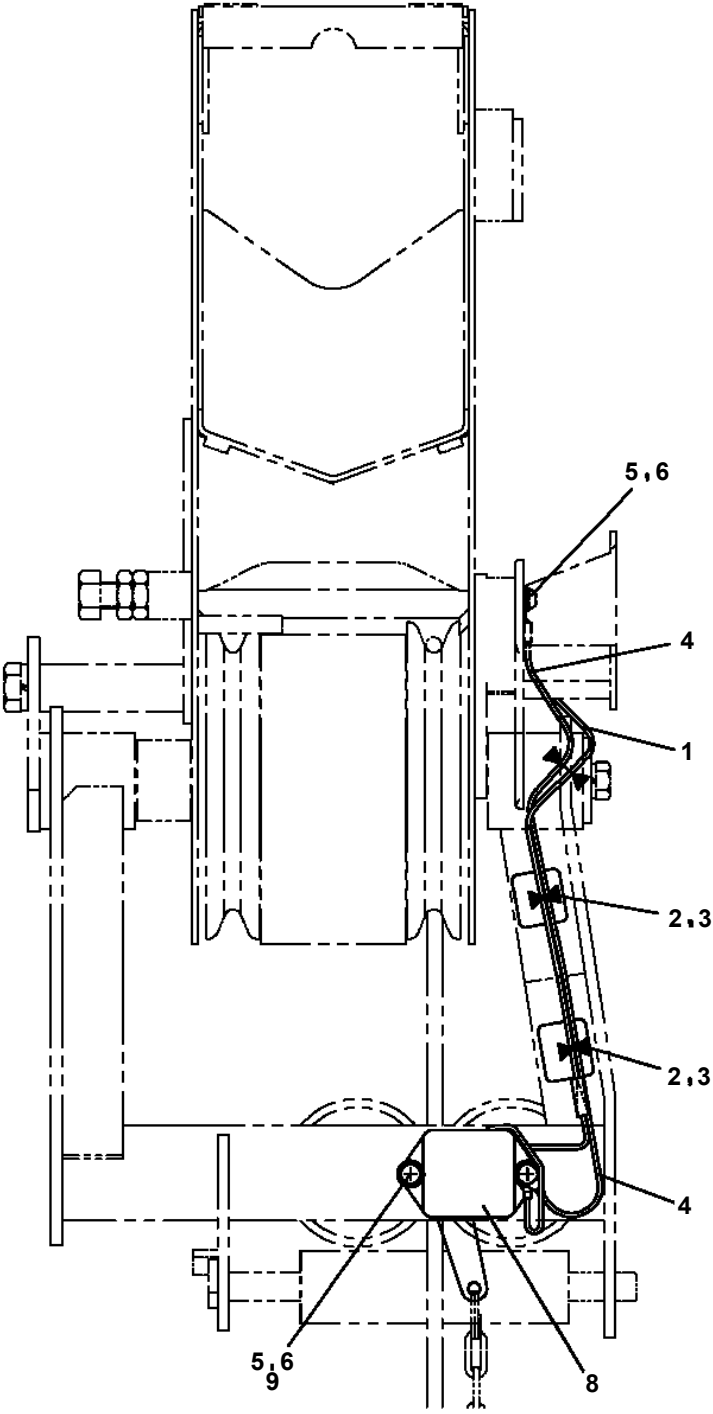
TM-ZX290 41047701146A FRAME

Pos No.	Parts No	Parts Name	Qty	Unit	Technical Data	Serial No (Start)	Serial No (End)	Remarks
1	31310647530	GEAR,SPUR	1					
2	31310647540	PIN	2					
3	31311247510	DRUM	1					
4	80516006306	BEARING,BALL	1					
5	80516006206	BEARING,BALL	1					
6	90172410025	BOLT,HEXAGON SOCKET	4		M10X25			
7	90302041001	WASHER,SPRING	4		10			
100	31311240300	DRUM,WINCH (Y.G.TEC)	1					

TM-ZX290 41047701146A FRAME

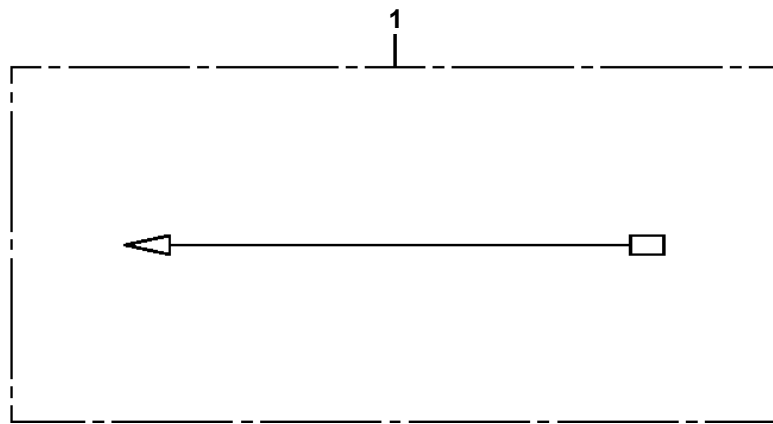
Pos No.	Parts No	Parts Name	Qty	Unit	Technical Data	Serial No (Start)	Serial No (End)	Remarks	Pages
1	31440791000	ROLLER ASSY	1						
2	37000105740	PIN	2						
3	80136332020	PIN,SPLIT	2		3.2X20				
4	90303071001	WASHER,PLAIN	4		10				
5	37001300000	SPRING	2						
21	37001107470	ROLLER ASSY	2						
22	37001108130	ROLLER ASSY	1						
23	31440241100	PIN	1						
24	31440791100	SUPPORT	1						
25	31440150350	WASHER,PLAIN	2						
26	90286001007	NUT	2		M10 P=1.25				
42	80516006001	BEARING,BALL	4						
43	80602110280	RING,RITAINING	2		R28				

TM-ZX290 41047701146A FRAME
PH1060491-01 DETECTOR,OVERWIND

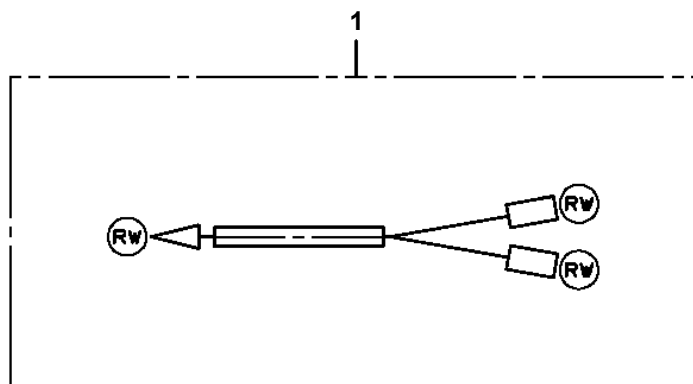


A

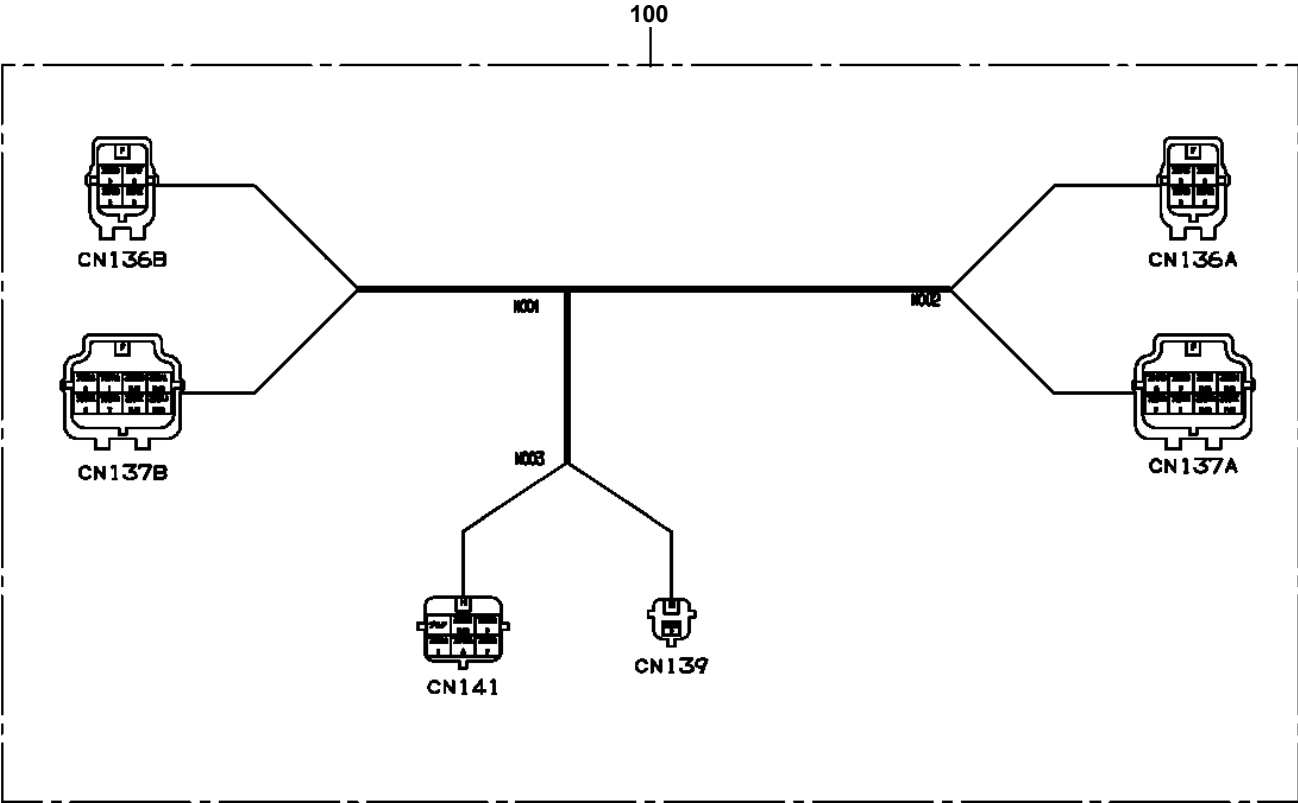
**TM-ZX290 41047701146A FRAME
PH5032122-00 HARNESS (L=1000)**



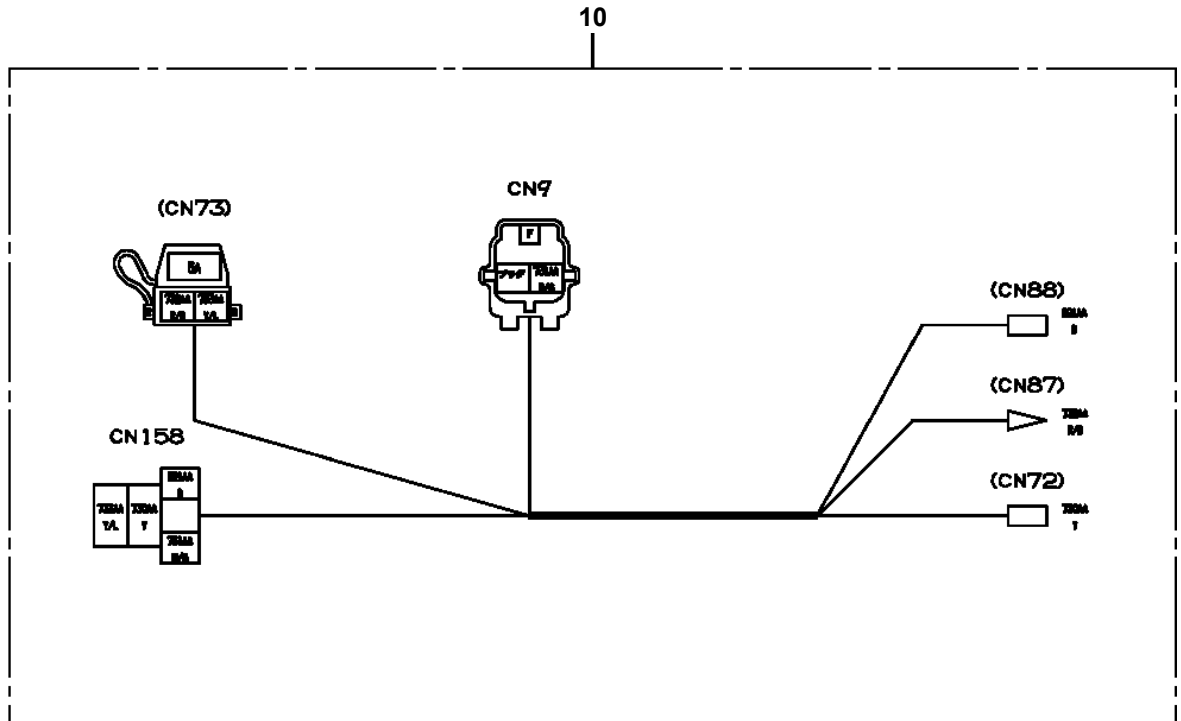
TM-ZX290 41047701146A FRAME
PH5033590-00 HARNESS



TM-ZX290 41047701146A FRAME
PH5033870-00 HARNESS



TM-ZX290 41047701146A FRAME
PH5034114-00 HARNESS



CLICK HERE TO **DOWNLOAD** THE COMPLETE MANUAL

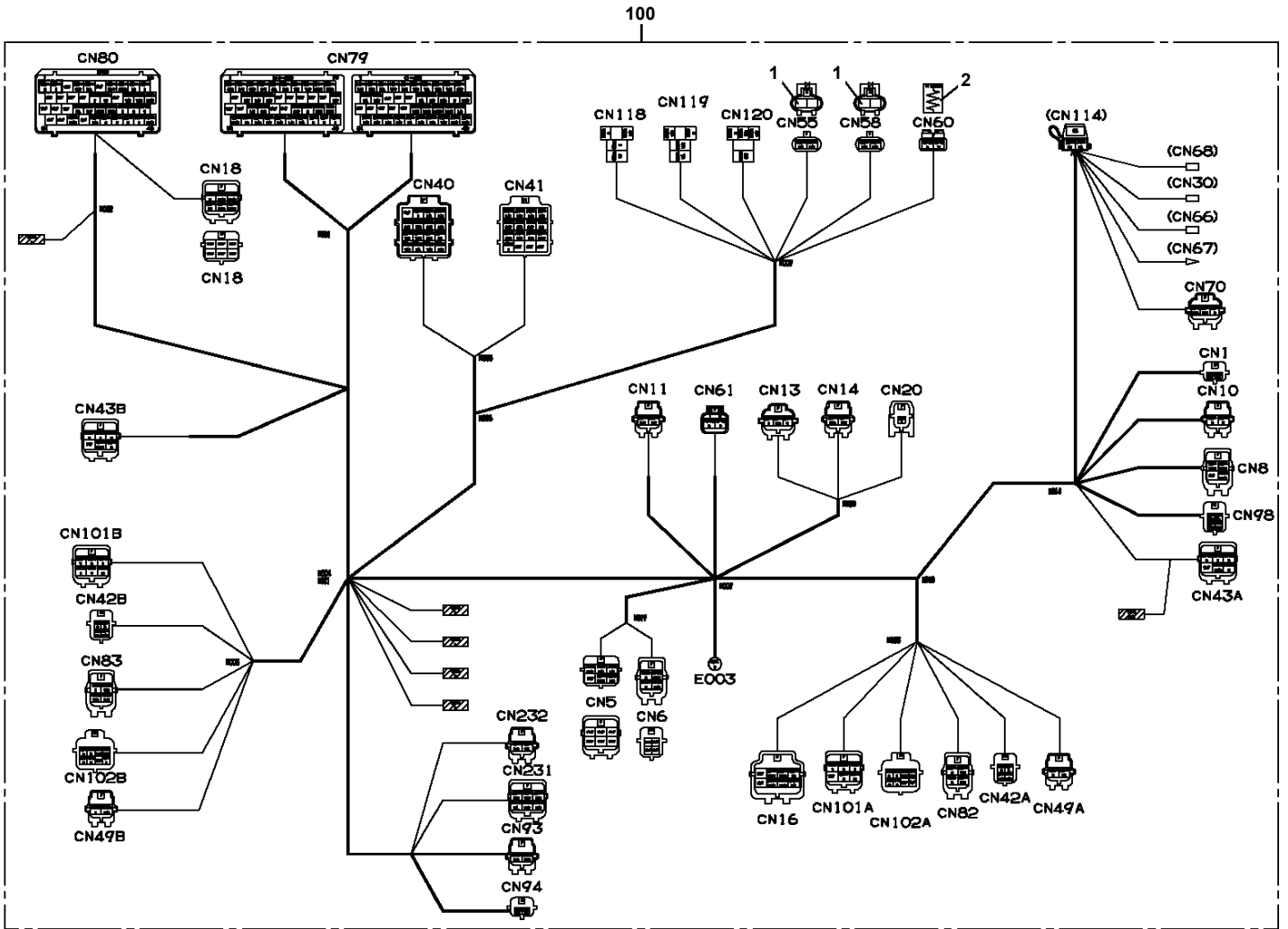
- Thank you very much for reading the preview of the manual.
- You can download the complete manual from: www.heydownloads.com by clicking the link below



- Please note: If there is no response to CLICKING the link, please download this PDF first and then click on it.

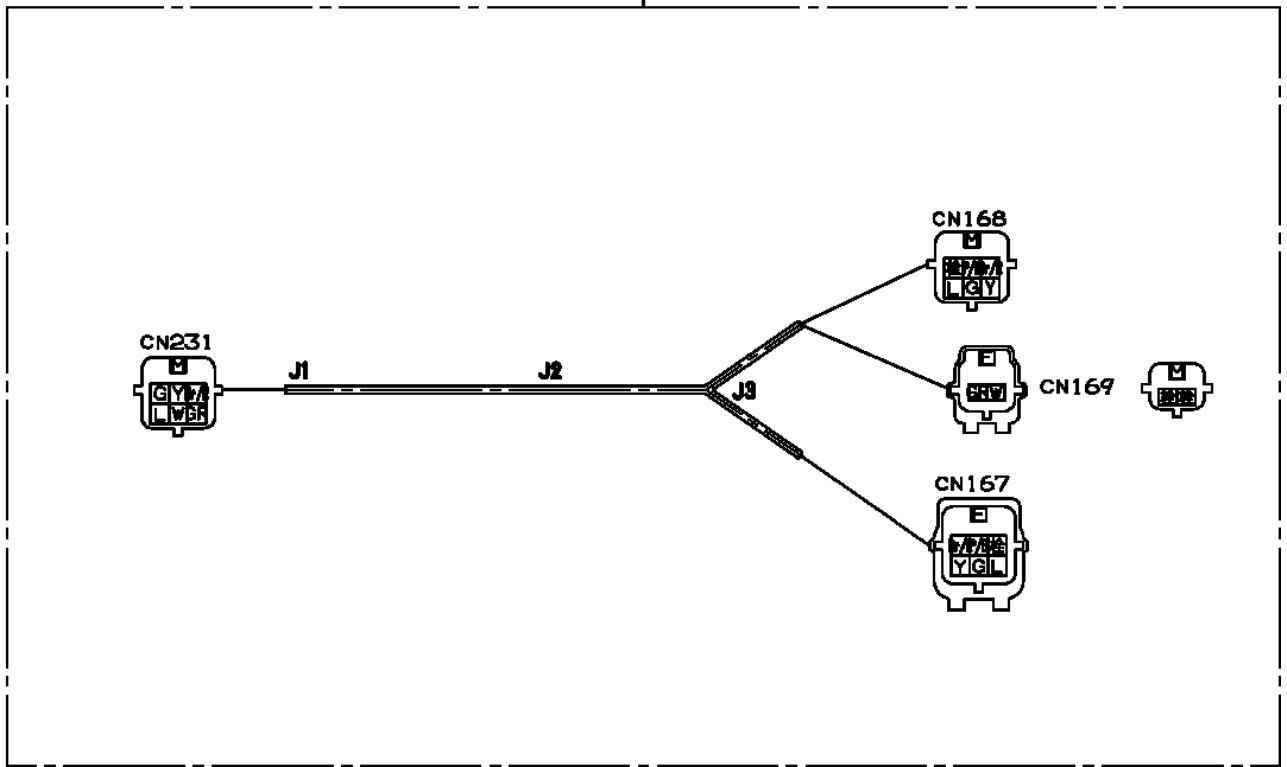
CLICK HERE TO **DOWNLOAD** THE COMPLETE MANUAL

**TM-ZX290 41047701146A FRAME
PH5034362-00 HARNESS (CRANE)**

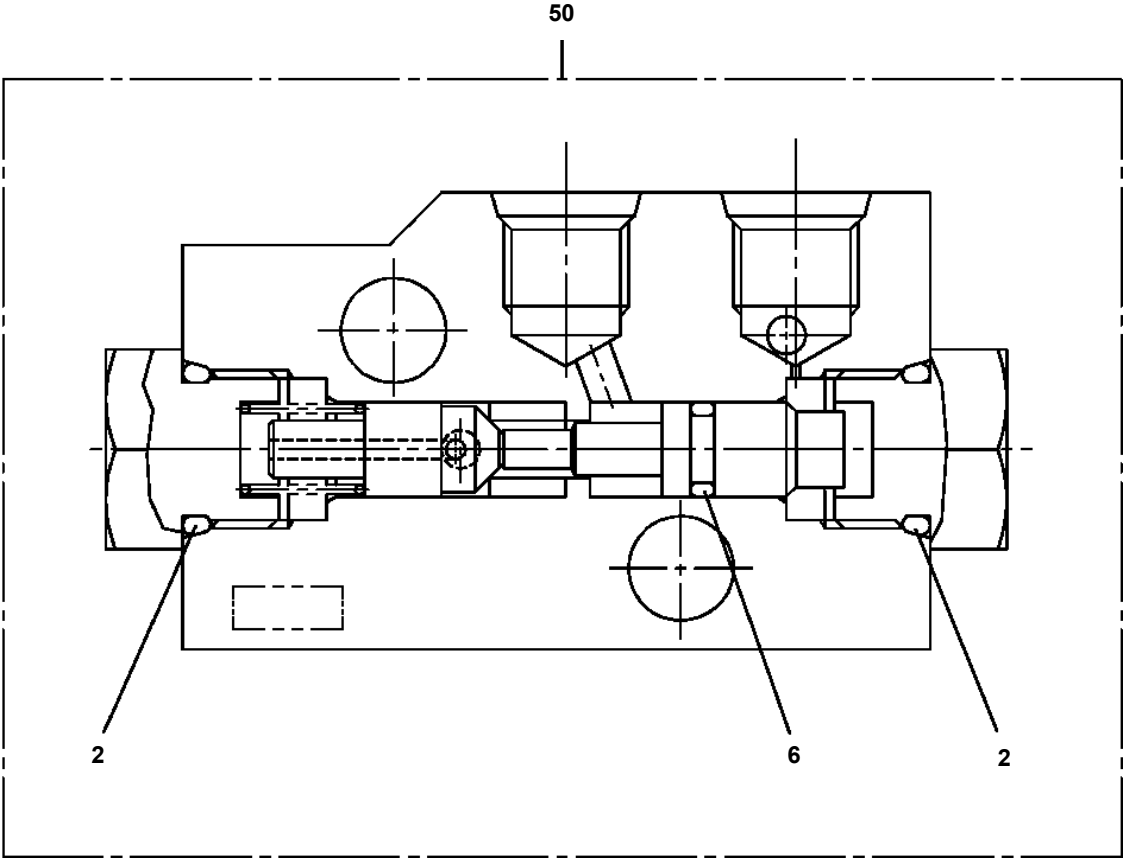


TM-ZX290 41047701146A FRAME
PH5034490-00 HARNESS

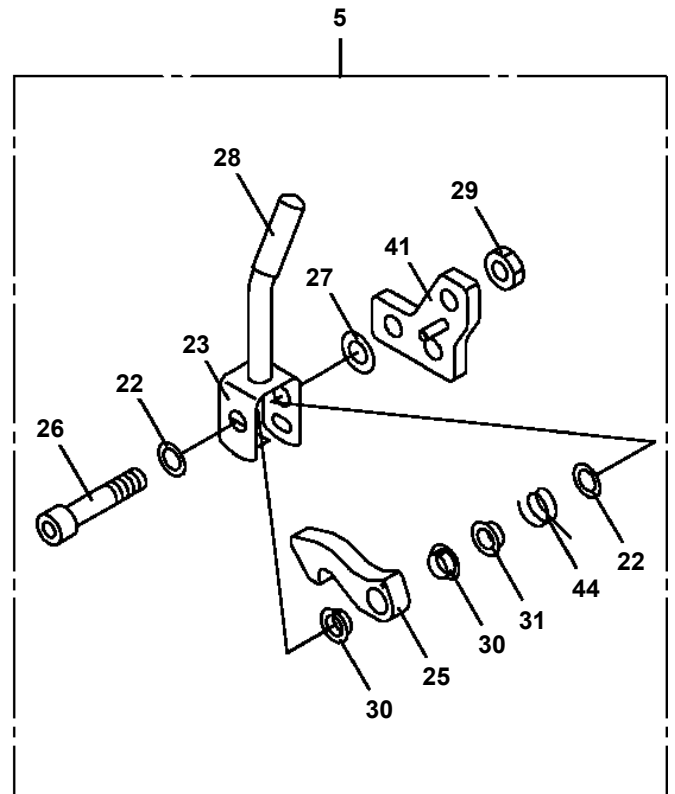
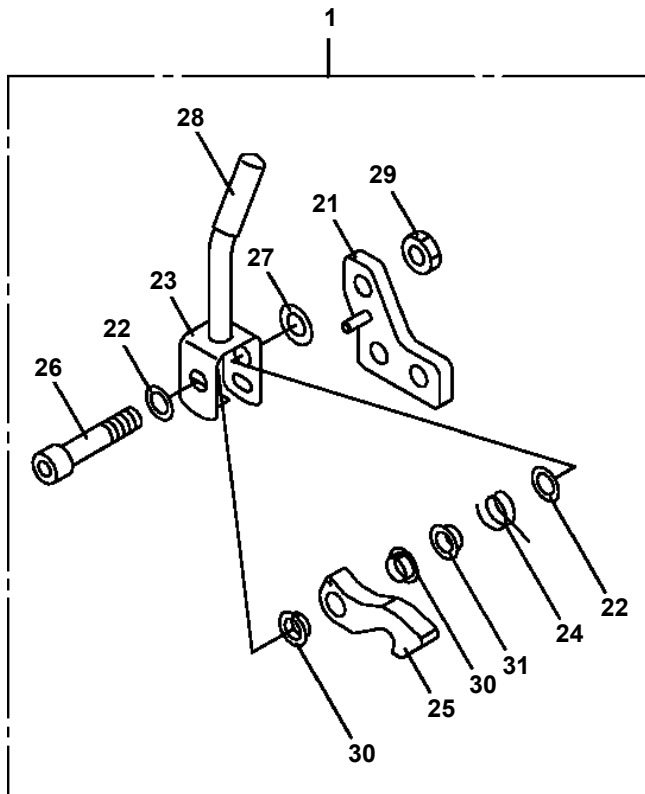
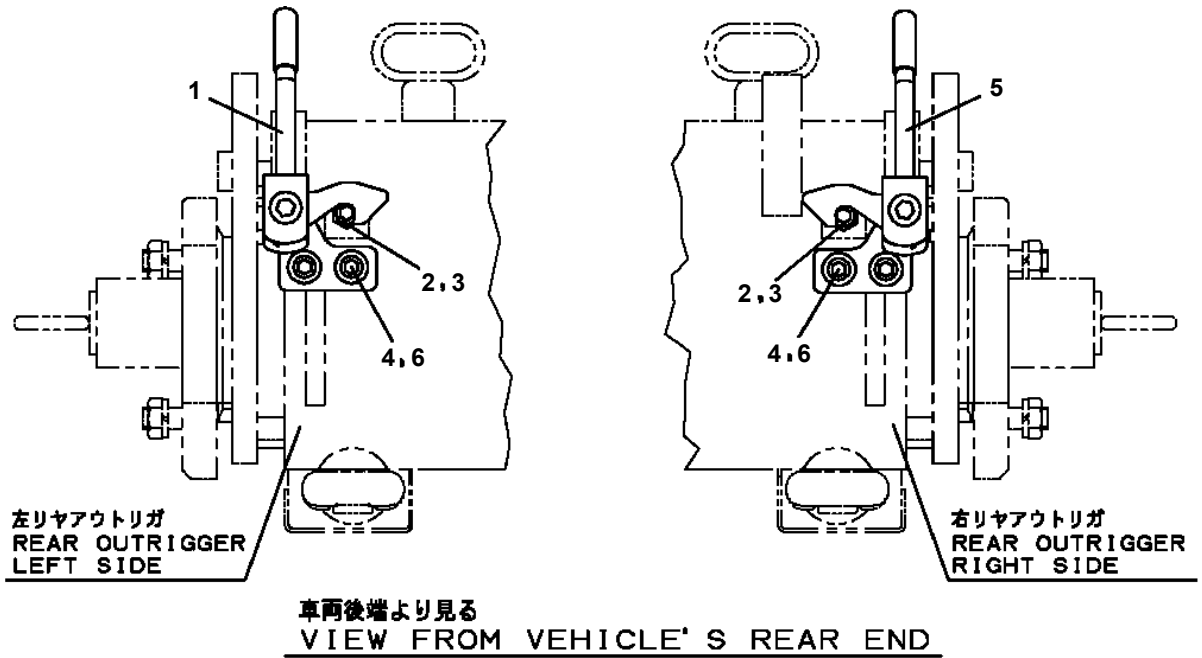
10



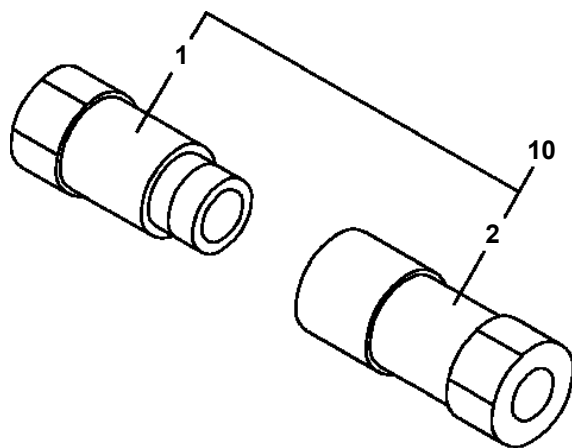
**TM-ZX290 41047701146A FRAME
PI1280051-00 VALVE,PILOT CHECK**



**TM-ZX290 41047701146A FRAME
PJ3410034-02 LOCK ASSY (REAR OUTRIGGER)**



TM-ZX290 41047701146A FRAME
PJ5140001-00 JOINT ASSY,SELF SEAL



TM-ZX290 41047701146A FRAME

Pos No.	Parts No	Parts Name	Qty	Unit	Technical Data	Serial No (Start)	Serial No (End)
1	(*****)	PARTS ASSY,BML	1				
3	(*****)	ALARM ASSY	1				
4	(*****)	COVER (O/R HARNESS PROTECT)	1				
11	37001804800	ROPE,WIRE (KISWIRE)	1				
12	(*****)	DETECTOR,DISORDERLY WIND	1				
13	(*****)	OUTRIGGER ASSY,REAR (ROTARY,SOL.VALVE)	1				
21	(*****)	CYLINDER,JACK (MIN.638:W/O FLOAT)	2				
	(*****)	CYLINDER,JACK (MIN.647:WITH FLOAT)	2				
	(*****)	CYLINDER,JACK (MIN.607:WITH FLOAT)	2				

TM-ZX290 41047701146A FRAME

Pos No.	Parts No	Parts Name	Qty	Unit	Technical Data	Serial No (Start)	Serial No (End)
2	(*****)	ELEC.ASSY (POST)	1				
3	(*****)	ELEC.ASSY (UPPER/WORKING LAMP)	1				

TM-ZX290 41047701146A FRAME

Pos No.	Parts No	Parts Name	Qty	Unit	Technical Data	Serial No (Start)	Serial No (End)	Remarks	Pages
1	(*****)	ELEC.ASSY	1						000118
2	(*****)	LAMP ASSY,AML	1						000194

TM-ZX290 41047701146A FRAME

Pos No.	Parts No	Parts Name	Qty	Unit	Technical Data	Serial No (Start)	Serial No (End)	Remarks
1	31615754100	PLATE,NAME (BLUE)	2					
2	31611300600	PLATE,NAME (YELLOW)	2					
3	31615754200	PLATE,NAME (RED)	2					

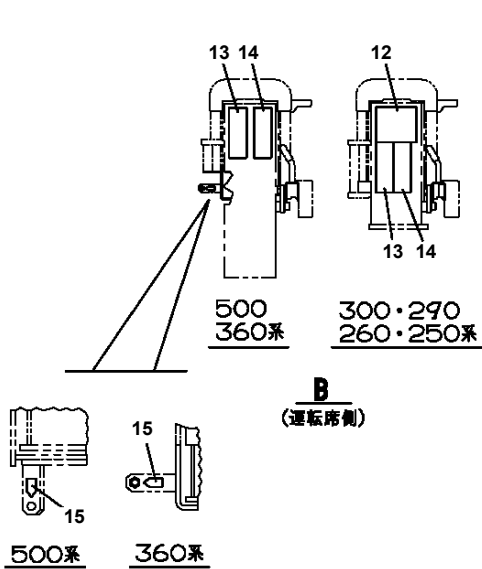
TM-ZX290 41047701146A FRAME

Pos No.	Parts No	Parts Name	Qty	Unit	Technical Data	Serial No (Start)	Serial No (End)
1	91850310405	CLAMP (BLACK)	7				
2	91810130240	FASTENER	20				
3	91810130250	FASTENER	5				
5	31657280200	COVER	2				
6	90186208020	BOLT,FLANGE	8		M8X20		
7	90280200800	NUT,FLANGE	8		M8		
8	31653470100	SUPPORT	1				
9	31653470200	SUPPORT	1				
10	90186206010	BOLT,FLANGE	12		M6X10		
11	31611614300	HARNESS	1		L=10000		
12	82100002503	TERMINAL	1				
13	82100001226	INSULATOR	1				
14	31656330200	HARNESS	1				
15	31611614500	COVER	1				
16	31611614400	COVER	1				
17	82100000192	TERMINAL	1				
18	82100000182	INSULATOR	1				
19	31478092200	HARNESS	1		L=100		
22	82115001005	CONNECTOR	1				
41	31653322200	SWITCH ASSY (WITH HARNESS,2-SW)	2				
42	82199514013	CAP	4				
43	82199504017	NUT	4		AT-401N		
44	31657282100	SUPPORT	2				
45	31656331200	PLATE,NAME	2				

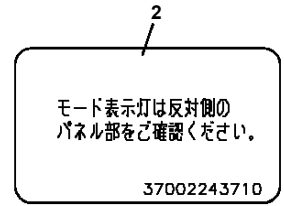
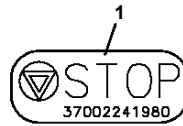
TM-ZX290 41047701146A FRAME

Pos No.	Parts No	Parts Name	Qty	Unit	Technical Data	Serial No
1	31595691000	NAME PLATE ASSY (KNOB:TDN-LAYOUT)	1			
4	(*****)	NAME PLATE ASSY (TANK)	1			
5	(*****)	PLATE ASSY,NAME (HOOK)	1			
6	(*****)	NAME PLATE ASSY (OUTRIGGER CAUTION PLATE ETC.)	1			
7	(*****)	NAME PLATE ASSY (PERIODICAL VOLUNTARY INSPECTION)	1			

TM-ZX290 41047701146A FRAME PN5012021-02 NAME PLATE ASSY (OUTRIGGER CAUTION PLATE ETC.)



B
(運転席側)



12

注 記/アウトリガ取扱い

- 水平面上に設置し、機軸の水平を水準器で確認しながら両側ジャッキ共に最小操作で調整を完了してください。
- アウトリガは最大張出で使用してください。
- アウトリガロックがロック状態であることを確認した後ジャッキを調整してください。
- 走行する前に、ジャッキを全縮小しアウトリガを格納してください。アウトリガロックと走行用ロックがロック状態であることを確認してください。

目印ラインが
見えれば
ロック状態

<アウトリガロック>

フタが閉まって
いればロック状態

<走行用ロック>

37002240210

13

△ WARNING

RISK OF INJURY

Keep feet clear when outrigger operation.

△ 警告

けがの恐れ
アウトリガ操作中は
足を入るな。

37002240210

14

△ WARNING

PINCH HAZARD

Keep fingers away when retracting outriggers.

△ 警告

挟まれ注意
アウトリガ縮小時は
指を入るな。

37002240110

16

ウインチ油室線のフェーシングは3年毎に交換してください。
次回の交換は
年 月です
370-022-20450

18

旋回格納位置
370-022-20450

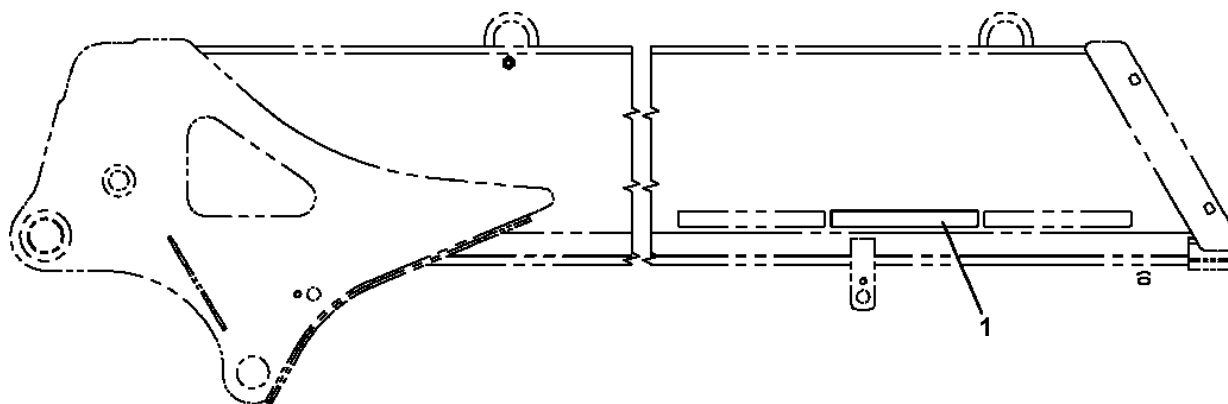
20

架装物着脱順序表 (出荷時)

品目名	材質名	品目名	材質名
ブームスライドプレート	PA	パネルスイッチ	PC
操作レバーノブ	EVAC, ABS	リレー・コネクタボックス	ABS
操作パネル	ABS	上部制御器	PC
蓋面カバー	PE	下部制御器	PC, PBT
ケーブル・ホース保護部品	PP	通信ユニット	PC, PBT
アウトリガロックレバー	ABS	油室線	PC, PBT
スリッパリング	PC		
パネル表示器	PC		

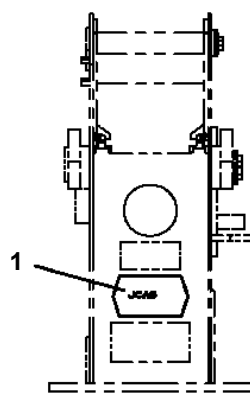
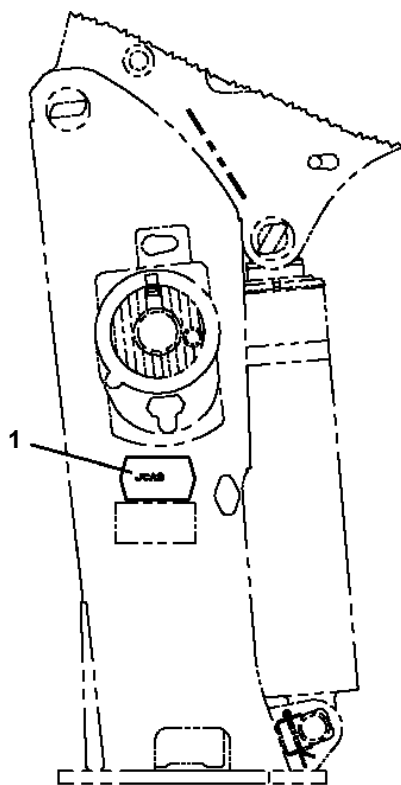
37002240210

TM-ZX290 41047701146A FRAME
PN5012122-00 NAME PLATE ASSY



1
フォークジャッキ インターロック装置付

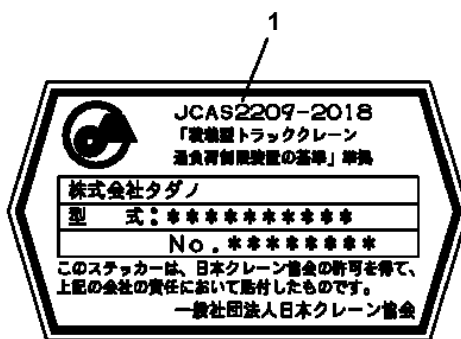
TM-ZX290 41047701146A FRAME
 PN5012165-01 NAME PLATE ASSY (JSAS)



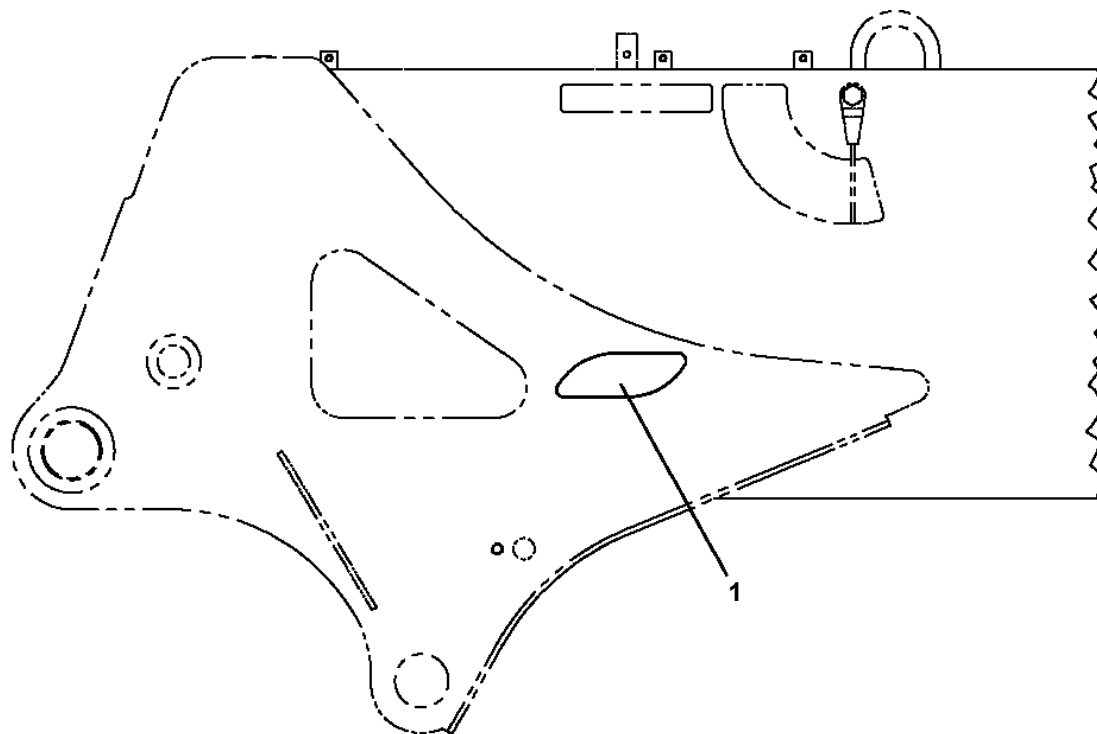
ZX250, ZX260, ZX290
 ZX300, ZX360
 ZS500, ZS580
 ZX500

ZS220
 ポスト前面

ポスト側面



TM-ZX290 41047701146A FRAME
PN5012194-00 NAME PLATE ASSY (NETIS/S-SIZE)

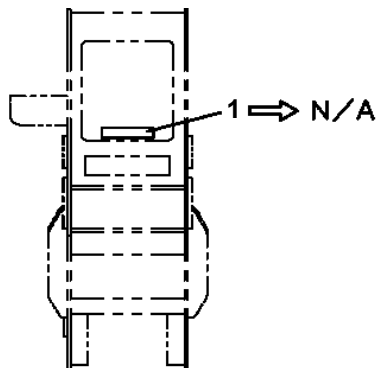


TM-ZX290 41047701146A FRAME
PN5012296-00 NAME PLATE ASSY

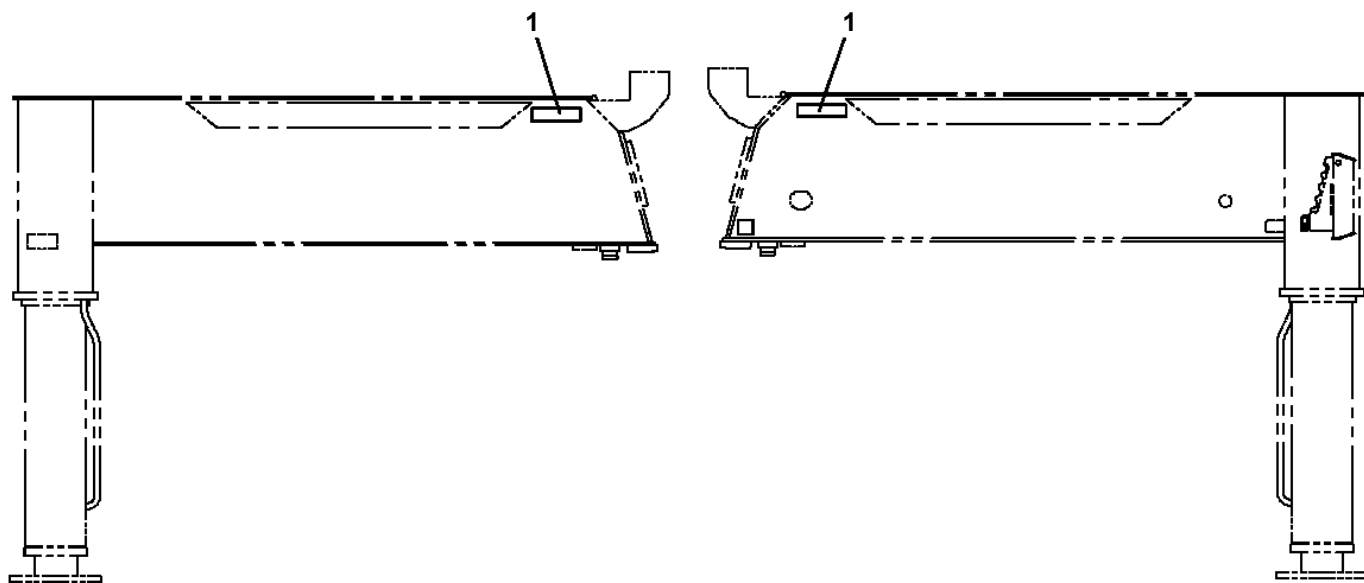
1
警報仕様(定格荷重指示装置付)

27002941.840

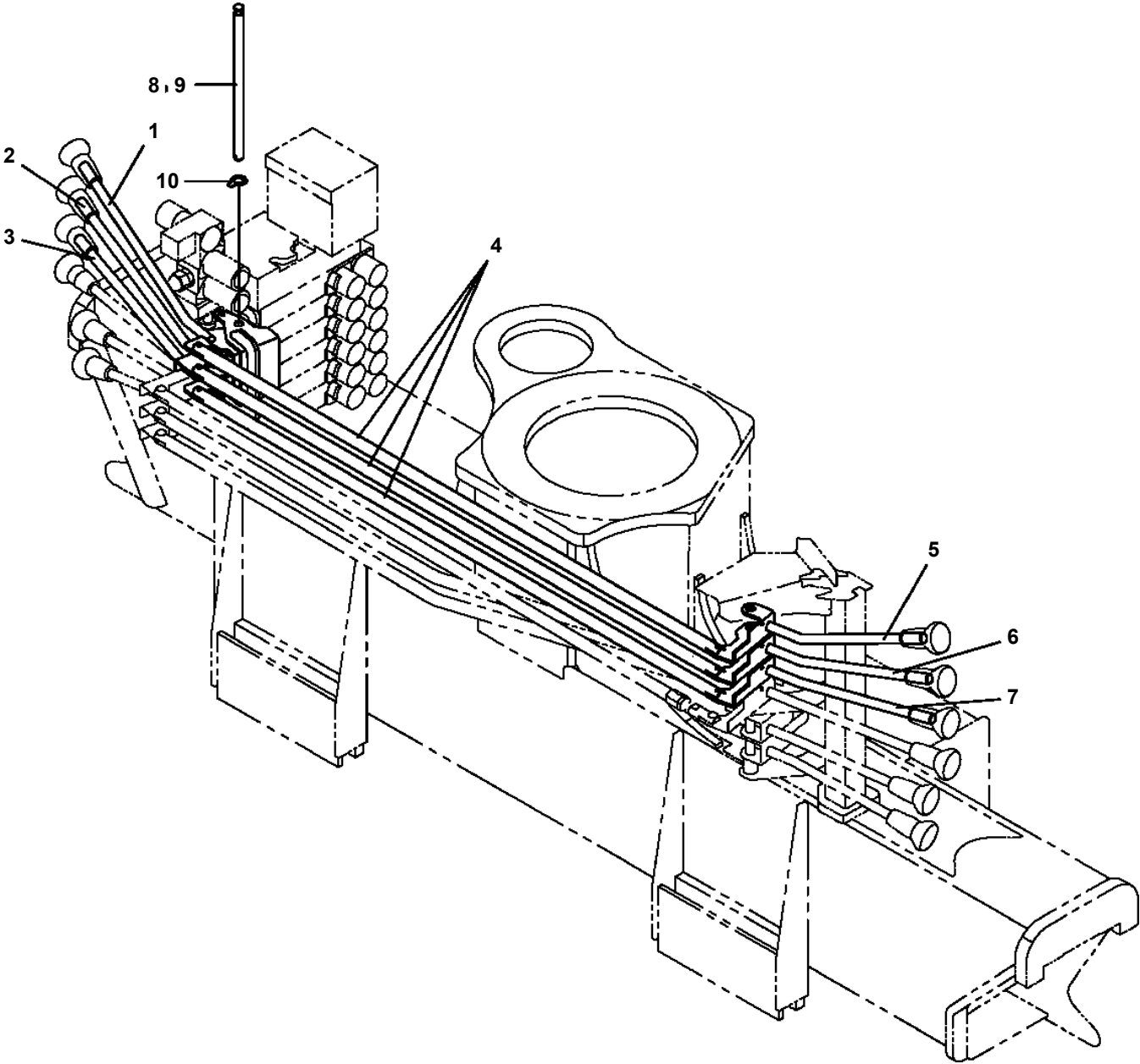
TM-ZX290 41047701146A FRAME
PO1015028-02 PLATE ASSY,NAME (FRAME SERIAL NO.)



ブーム後端
BOOM END



TM-ZX290 41047701146A FRAME
PO5080305-00 OPE.ASSY,CONT.VALVE (ELEVATING,WINCH, TELESCOPING/U)



TM-ZX290 41047701146A FRAME
PO5290101-00 OUTRIGGER ASSY,REAR (ROTARY/POWER PACKAGE)

アウトリガ ASSY,リヤ (カイトンシキ/ハ ワーパ ツケーシ)
 OUTRIGGER ASSY,REAR (ROTARY/POWER PACKAGE)

符号	日本語名称	英語名称	備考
2	パイピング,リヤ ジャッキ	PIPING,REAR JACK	
3	ハイゼンASSY	ELEC.ASSY	ハ ワーパ ツケーシ 式 R/J部
4	ネームプレートASSY	NAME PLATE ASSY	
21	アウトリガ,リヤ	OUTRIGGER,REAR	回転式
22	ロックASSY {リヤアウトリガ}	LOCK ASSY	

適用製造番号によっては取り付けがないものもあります。

MACHINES OF SOME SERIAL NO. ARE NOT EQUIPPED WITH THESE PARTS.

TM-ZX290 41047701146A FRAME
PP5150047-00 PARTS ASSY,RADIO CONTROLLER (U)

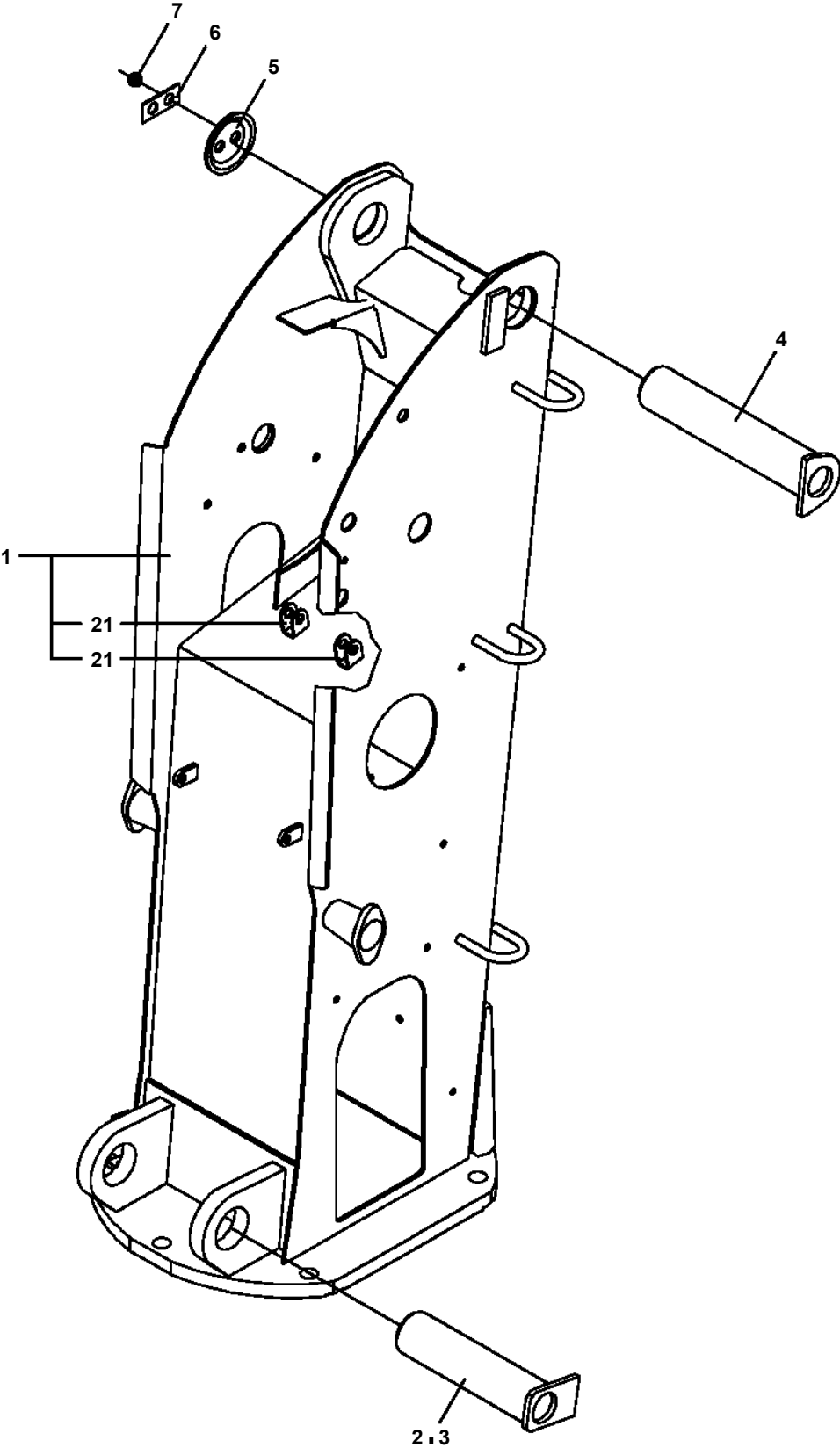
パーツASSY,ラジコン (キノウシヤラジコン/Uヨウ)
PARTS ASSY,RADIO CONTROLLER (U)

符号	日本語名称	英語名称	備考
1	パーツASSY,ラジコン	PARTS ASSY,RADIO CONTROLLER	既納車ラジコン
2	ネームプレートASSY	NAME PLATE ASSY	送信機給板 (U社配列用)

適用製造番号によっては取り付けがないものもあります。

MACHINES OF SOME SERIAL NO. ARE NOT EQUIPPED WITH THESE PARTS.

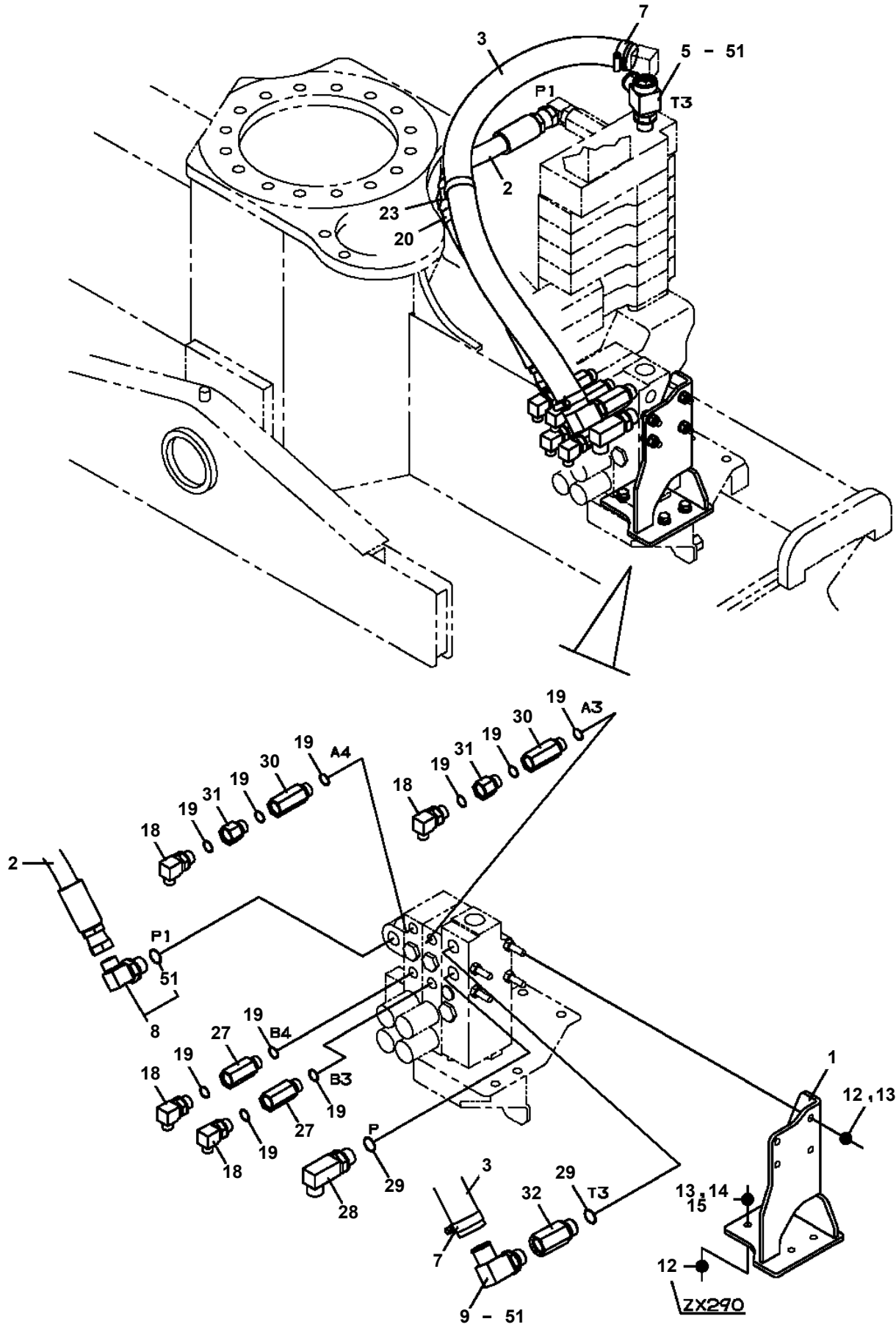
TM-ZX290 41047701146A FRAME
PP5300023-00 POST ASSY



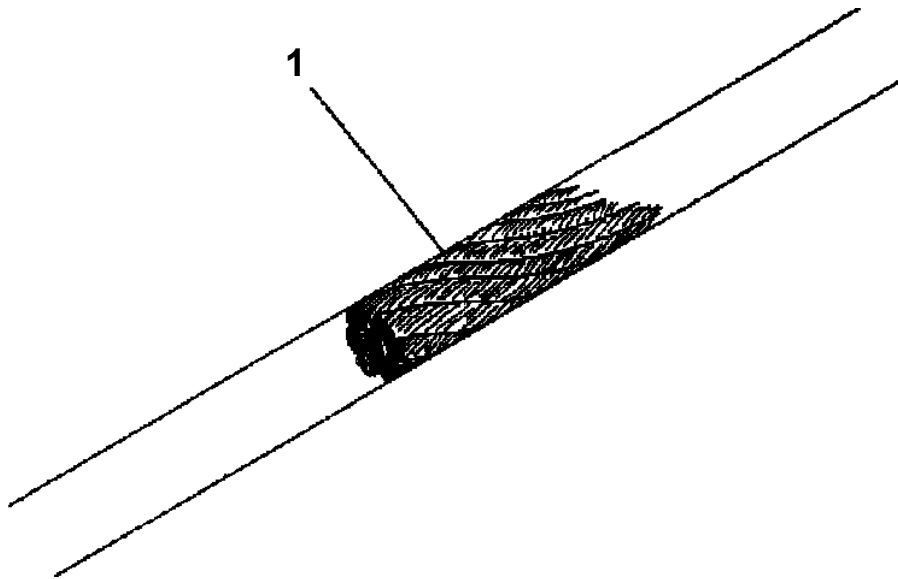
TM-ZX290 41047701146A FRAME

Pos No.	Parts No	Parts Name	Qty	Unit	Technical Data	Serial No (Start)	Serial No (End)	Remarks
1	91002801400	O-RING	2		1B P14			
2	37000912810	JOINT	1					
3	31641050100	JOINT	1					
4	36671630000	JOINT ASSY,SELF SEAL	1					
5	37000932150	JOINT	1		S,G3/8-G3/8			
6	37000924860	JOINT	1					
7	37012409650	HOSE	1		L=2250			
8	37002512880	HOSE	1		L=2500			
9	90191208030	BOLT	3		M8X30			
10	90201200800	NUT	3		M8			
11	90302040801	WASHER,SPRING	3		8			
12	80400160205	JOINT (WITH O-RING)	1					
13	80400160182	JOINT (WITH O-RING)	2					
14	91803930440	CLIP	2		32-45			
15	91002801800	O-RING	7		1B P18			
17	80400160131	JOINT	1					
18	91810150020	FASTENER	4		L=488			
21	31734222100	PLATE	1					
22	90101210020	BOLT	2		M10X20			
23	90302041001	WASHER,SPRING	2		10			
26	82100001413	TUBE,SPIRAL	1	M	SE-15BK			
27	42882090100	JOINT	1		L,G1/2-G1/2			
28	80481104046	JOINT	1					
29	37012409600	HOSE	1		L=2100			
30	37002457350	HOSE	1		L=2360			
31	90186208025	BOLT,FLANGE	6		M8X25			
32	90280200800	NUT,FLANGE	6		M8			
33	91860100022	CLAMP	4		KCR-W22			
34	91860100040	CLAMP	4		KCR-W40			
35	82100002535	TUBE,SPIRAL	1	M	SE-29BK			
37	91810160010	HOLDER	1					
38	91810130270	FASTENER	4					
51	36671635010	JOINT,SELF SEALING	1					
52	36671635020	JOINT,SELF SEALING	1					
202	36638550000	VALVE,MANUAL CONTROL	1					

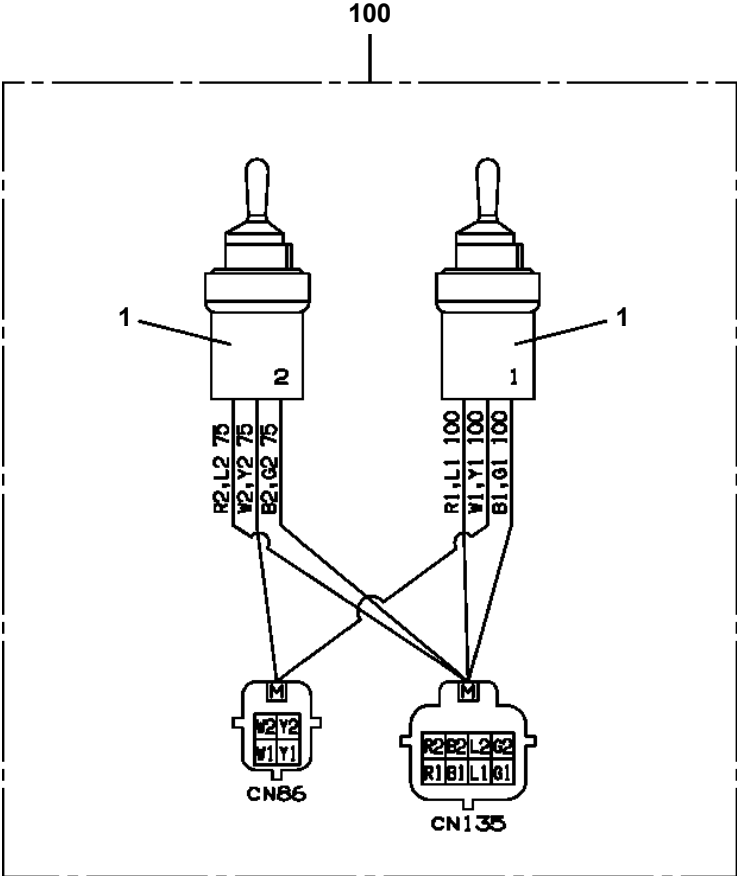
TM-ZX290 41047701146A FRAME
PP6010593-00 PIPING ASSY



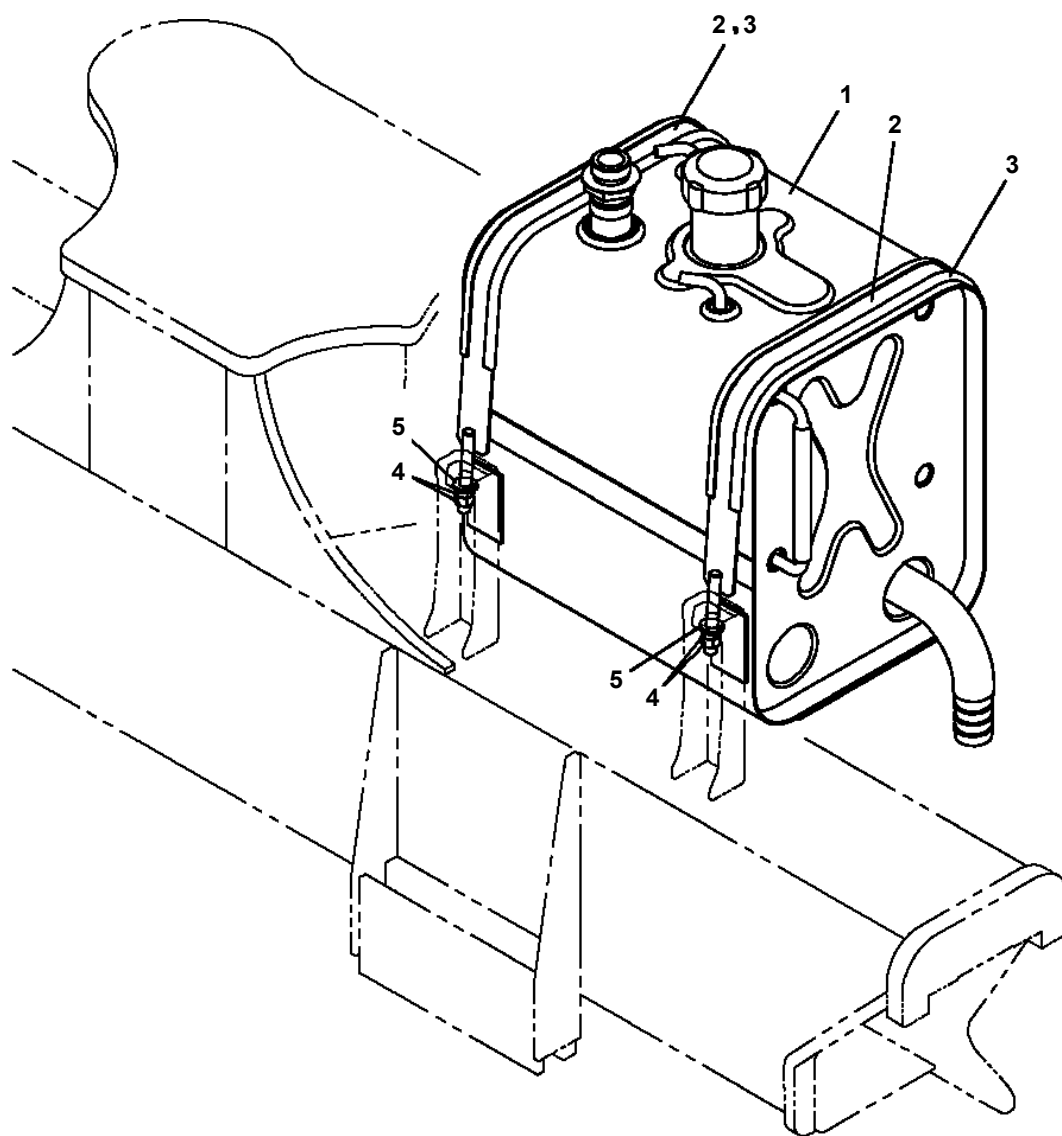
TM-ZX290 41047701146A FRAME
PR5170002-00 ROPE,WIRE (KISWIRE)



TM-ZX290 41047701146A FRAME
PS5530447-00 SWITCH ASSY

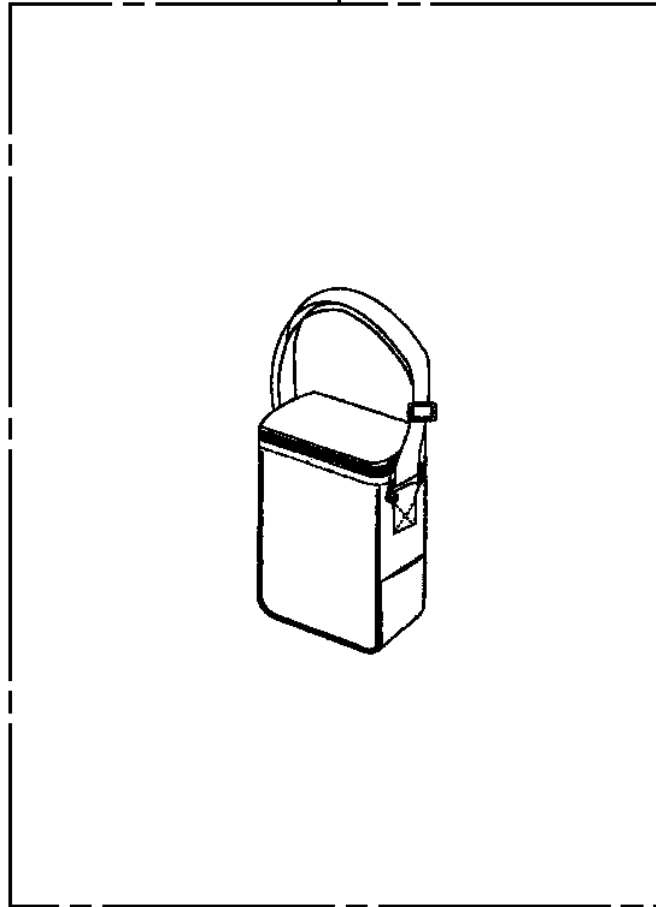


TM-ZX290 41047701146A FRAME
PT5060029-00 TANK ASSY (MOUNT)



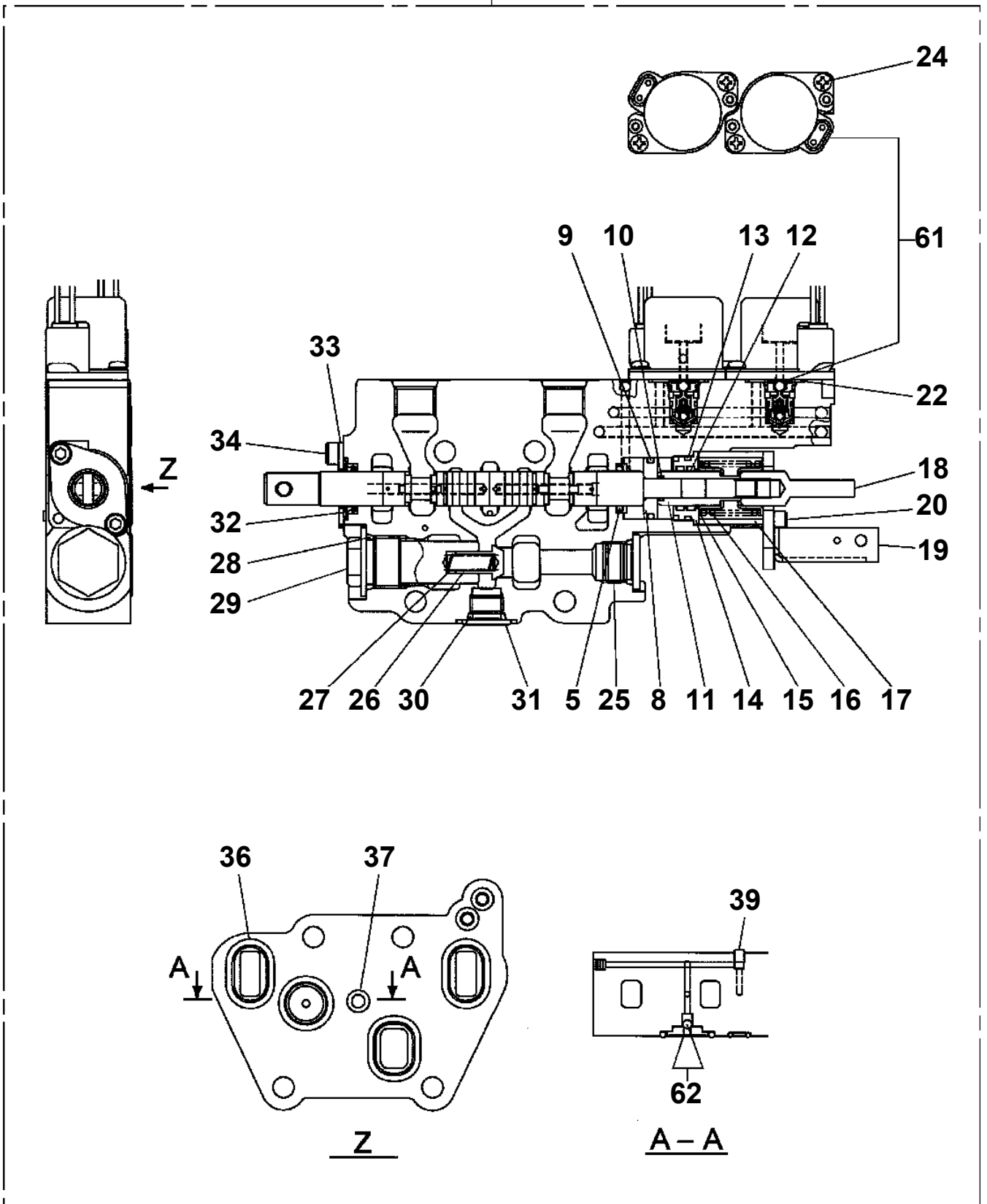
**TM-ZX290 41047701146A FRAME
PV1250013-00 BOX,STOWING**

10



TM-ZX290 41047701146A FRAME
PV5060050-00 VALVE ASSY,CONTROL (JACK 2)

100



TM-ZX290 41047701146A FRAME

Pos No.	Parts No	Parts Name	Qty	Unit	Technical Data	Serial No (Start)	Serial N
1	36645495280	BOLT,TIE	2				
2	36645495290	BOLT,TIE (A)	2				
3	90201200800	NUT	8		M8		
4	36743000031	COVER ASSY (FRONT)	1				
5	36743000041	VALVE ASSY,CONTROL (TELESCOPING)	1				
6	36743180051	VALVE ASSY,CONTROL (WINCH)	1				
7	36743000061	VALVE ASSY,CONTROL (ELEVATING)	1				
8	36743180071	VALVE ASSY,CONTROL (SWING)	1				
9	36743000081	VALVE ASSY,CONTROL (JACK 2)	1				
10	36743000091	VALVE ASSY,CONTROL (JACK 1)	1				
11	36649585080	COVER (BOTTOM)	1				
12	36740745200	GUARD	1				
13	36743180101	VALVE ASSY,RELIEF	1				
14	36645615230	C-BOLT	4		5X12		
17	36649075060	CAM	2				
18	36646865110	SCREW,SET	4				
19	36649075050	SWITCH ASSY	2				
20	36647125090	SCREW,MACHINE	4		M2.3X14		
21	36646575070	PLATE	2				
22	36647125100	NUT	4		M2.3		
23	36645405050	BUSH	2				
24	36740745090	COVER	2				
25	80172105008	SCREW,MACHINE	4		M5X8		
26	80172104006	SCREW,MACHINE	4		M4X6		
27	36645405060	TUBE	2				
28	36644015120	CONNECTOR	2				
29	36644015130	TUBE	5				
30	11615111410	BAND	11				
31	36644015080	BOX	1				
32	36644015150	URETHANE (ROOL STOCK)	4				
33	36644015140	COVER	1				
34	36740745100	LVDT ASSY (1SET=4PCS WITH CONNECTOR)	1				
35	36644015220	SHIM (T=0.2)	8				
36	36644015230	SHIM (T=0.3)	8				
37	36645405110	SHIM (T=1.0)	4				
38	36645405100	BOLT	8		M4X22		
39	36644015110	CONNECTOR	3				
40	36649585260	HARNESS	2				
41	36740745110	HARNESS ASSY (SOLENOID)	1				
42	36740785020	TUBE	1				
43	36644015070	COVER	1				
44	36645405150	SCREW,MACHINE	4		M3X5		
45	36740765040	BAND	2				
46	36646865060	FASTENER	2				
47	36647855190	SCREW,MACHINE	2		M5X12		
48	91001101100	O-RING	3		1A P11		
49	36644115130	PLUG	1				
50	36062635030	FASTENER	1				
51	90303070401	WASHER,PLAIN	1		4		
52	36743185140	SCREW,MACHINE	1		M4X14		
53	36640755070	CAP	6				
54	36741985040	PLUG	2				
55	36646485040	PLUG	3				
56	36741985050	PLUG	12				
57	36641385070	GUARD	1				
58	36645405080	LABEL (CAUTION)	1				
59	36743185120	CAM	2				
71	36743185130	SPACER	1				
81	36740745190	LVDT ASSY (1PC WITHOUT CONNECTOR)	4				
100	36743180000	VALVE ASSY,REMOTE CONTROL	1				

**TM-ZX290 41047701146A FRAME
PX5010638-00 MOUNT ASSY (DUMP SELECT)**

マウントASSY (ダンプ・ハイヨウハ・ルプ)
MOUNT ASSY (DUMP SELECT)

符号	日本語名称	英語名称	備考
1	マウントASSY (ダンプ・セレクト)	MOUNT ASSY	車両側
2	パイカンASSY	PIPING ASSY	クレーン側

適用製造番号によっては取り付けがないものもあります。

MACHINES OF SOME SERIAL NO. ARE NOT EQUIPPED WITH THESE PARTS.

TM-ZX290 41047701146A FRAME

Pos No.	Parts No	Parts Name	Qty	Unit	Technical Data	Serial No (Start)
1	(*****)	OUTRIGGER ASSY,REAR (ROTARY/POWER PACKAGE)	1			
2	(*****)	OUTRIGGER ASSY,REAR (ROTARY,SOL.VALVE)	1			
3	(*****)	OUTRIGGER ASSY,REAR (ROTARY/MEDIUM-SIZE)	1			
4	(*****)	MOUNT ASSY (DUMP SELECT)	1			
5	(*****)	ELEC.ASSY	1			
7	(*****)	ELEC.ASSY (SS COMBINATION, FOR SS-38:ZX260/290)	1			
8	(*****)	ELEC.ASSY(SS COMBINATION, SS-28:ZX260/290)	1			
9	(*****)	PARTS ASSY,REMOTE CONTROL	1			
10	(*****)	LEVEL ASSY	1			
11	(*****)	ELEC.ASSY	1			
12	(*****)	PIPING ASSY	1			
13	(*****)	LAMP ASSY,AML	1			

TM-ZX290 41047701146A FRAME

Pos No.	Parts No	Parts Name	Qty	Unit	Technical Data	Serial No (Start)	Serial No (End)	Remarks
1	36150080000	DETECTOR ASSY,MOMENT	1					
2	36150100000	DETECTOR ASSY,MOMENT	1					
3	91850700101	CLAMP	2		L=208			
4	91810130250	FASTENER	2					

TM-ZX290 41047701146A FRAME

Pos No.	Parts No	Parts Name	Qty	Unit	Technical Data	Serial No (Start)	Serial No (End)	Remarks	Pages
1	31351641100	HARNESS	1						000310
2	91810130250	FASTENER	11						

TM-ZX290 41047701146A FRAME

Pos No.	Parts No	Parts Name	Qty	Unit	Technical Data	Serial No (Start)	Serial No (End)
1	(*****)	FRAME ASSY	1				
2	(*****)	LOCK ASSY (REAR OUTRIGGER)	1				
3	(*****)	CYLINDER,JACK (REAR OUTRIGGER)	2				
4	(*****)	PIPING,REAR JACK (2,ROTARY)	1				
100	31624970001	FRAME ASSY(R/O:WITH LOCK ASSY)	1				

CLICK HERE TO **DOWNLOAD** THE COMPLETE MANUAL

- Thank you very much for reading the preview of the manual.
- You can download the complete manual from: www.heydownloads.com by clicking the link below



- Please note: If there is no response to CLICKING the link, please download this PDF first and then click on it.

CLICK HERE TO **DOWNLOAD** THE COMPLETE MANUAL