

TM-ZT650 41057101003A FRAME/STD,MANUAL VALVE

PB0000278-01 SYSTEM (ZT650)

PB0000279-02 SYSTEM (ZT820)

ASSEMBLY

CLICK HERE TO **DOWNLOAD** THE COMPLETE MANUAL

- Thank you very much for reading the preview of the manual.
- You can download the complete manual from: www.heydownloads.com by clicking the link below



- Please note: If there is no response to CLICKING the link, please download this PDF first and then click on it.

CLICK HERE TO **DOWNLOAD** THE COMPLETE MANUAL

TM-ZT650 41057101003A FRAME/STD,MANUAL VALVE

Pos No.	Parts No	Parts Name	Qty	Unit	Technical Data	Serial No (Start)	Serial No (End)	Remark
81	36651645010	SEAL KIT	1					
100	36654340000	PUMP,HYDRAULIC (52CC:R)	1					

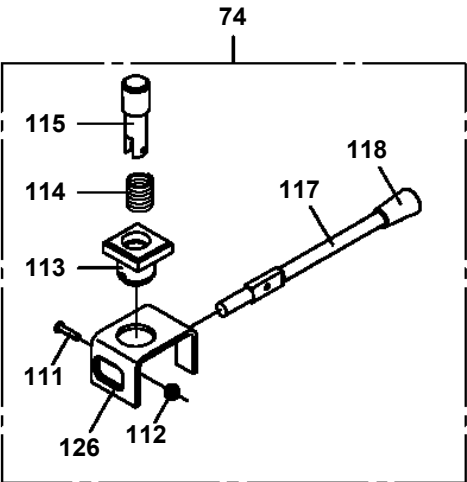
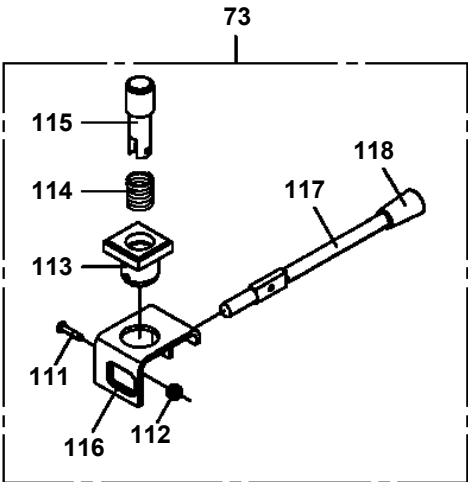
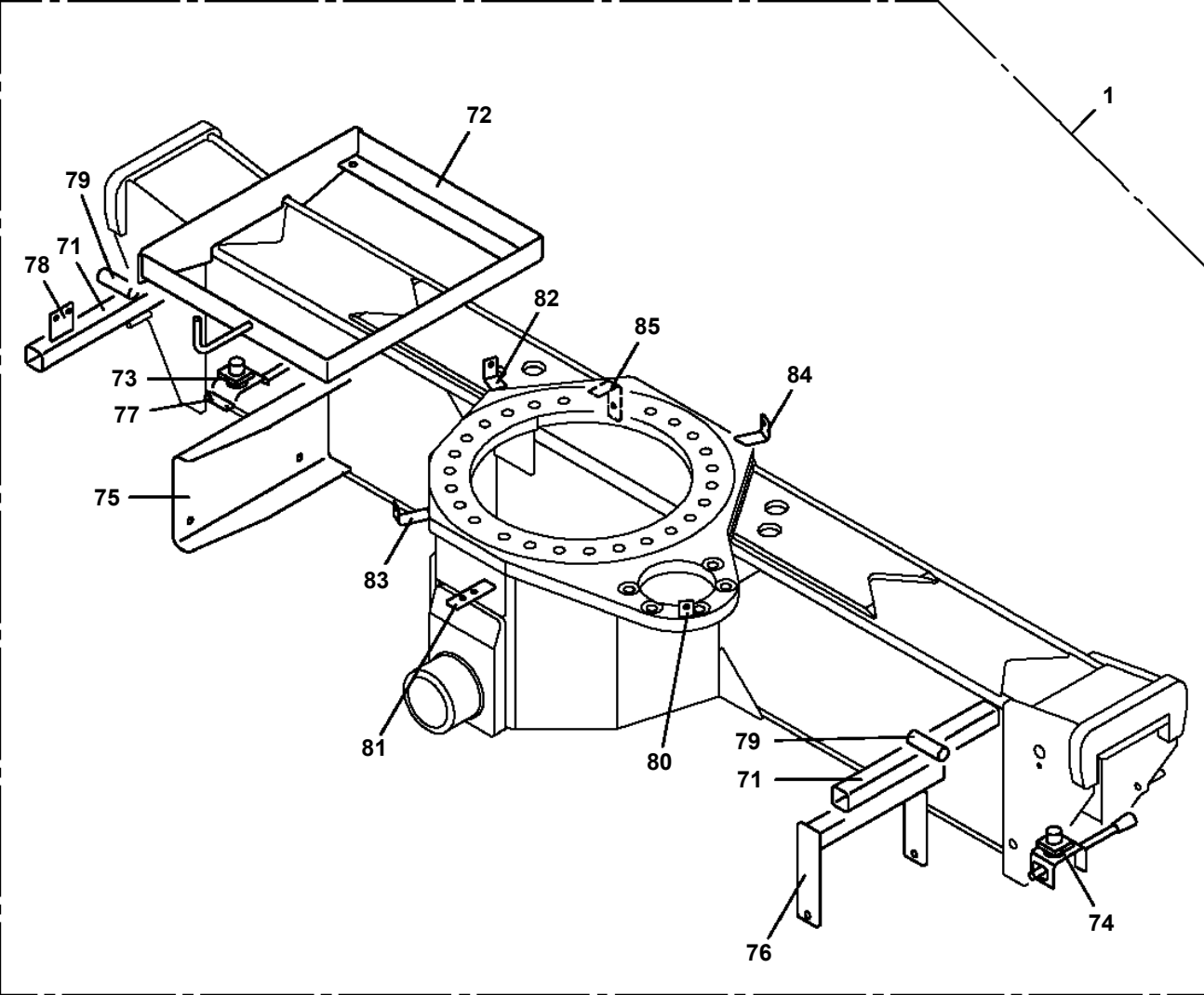
TM-ZT650 41057101003A FRAME/STD,MANUAL VALVE

Pos No.	Parts No	Parts Name	Qty	Unit	Technical Data	Serial No (Start)	Serial No (End)	Remarks
1	36081325090	RING,SNAP	1					
2	36081325010	SPACER	1					
3	36081325080	SHIM SET	1					
4	36081325110	BEARING,TAPER ROLLER	1					
5	36081385010	WORM	1					
6	36072725350	BEARING,TAPER ROLLER	1					
7	36080755040	GAUGE,OIL	1					
8	36080235080	WASHER,SEAL	1		M16			
9	80316090060	PLUG	1		KKT PT3/8			
12	91206070002	SEAL,OIL	1					
13	36081385040	CASE,GEAR	1					
14	36081385100	BEARING,BALL	1					
15	36081385110	BEARING,BALL	1					
16	90171110030	BOLT	8		M10X30			
17	36081385050	WHEEL,WORM	1					
18	36081385060	CASE,GEAR	1					
19	80500006211	BEARING,BALL	1					
20	80561100110	NUT	1		AN11			
21	36080015000	PIN	2					
22	82400000478	BREATHER	1					
23	36081385070	KEY	1					
26	36081385080	WASHER	8					
51	36081755500	GEAR,SPUR	1					
100	36081750000	REDUCER,SWING SPEED	1					

TM-ZT650 41057101003A FRAME/STD,MANUAL VALVE

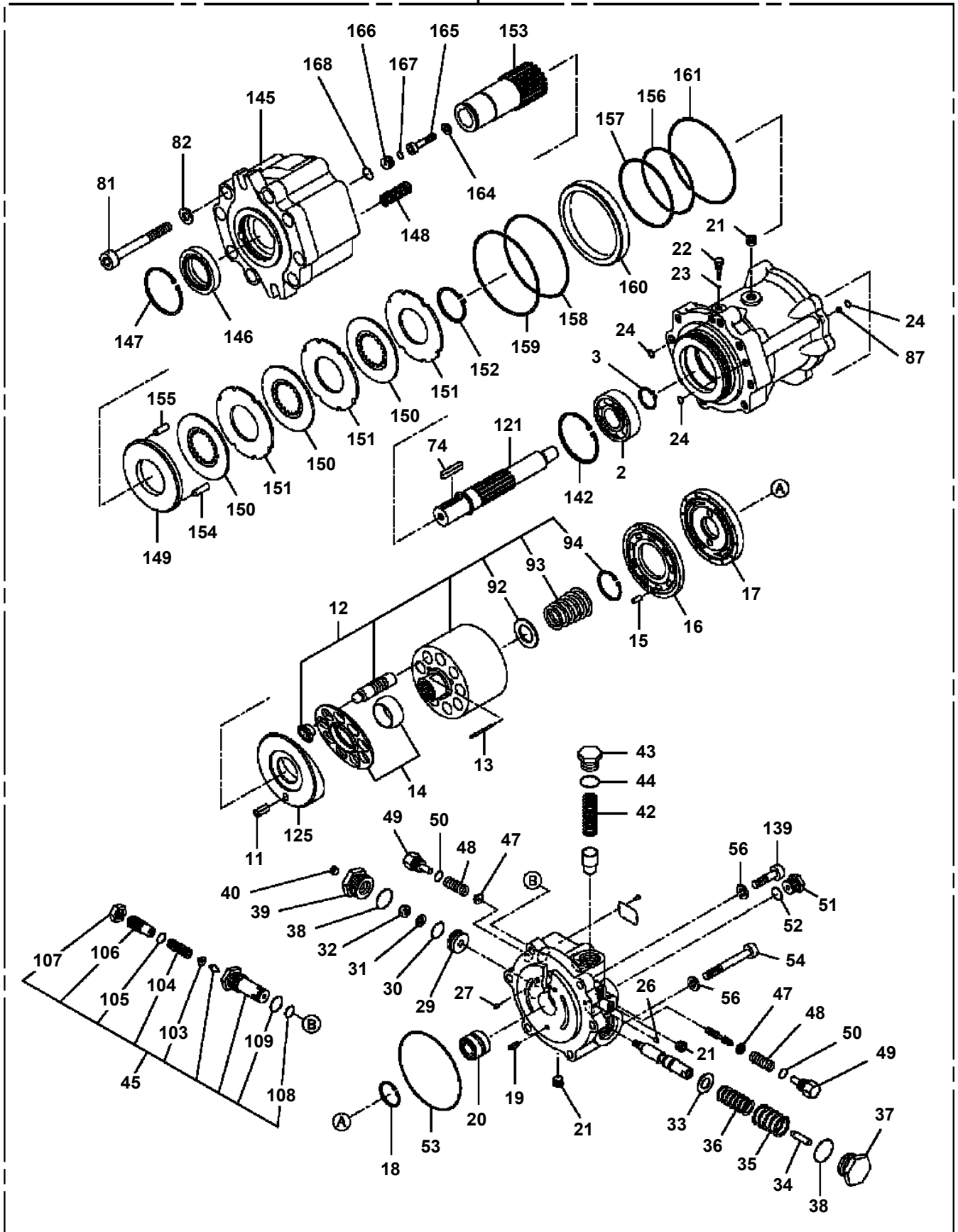
Pos No.	Parts No	Parts Name	Qty	Unit	Technical Data	Serial No (Start)	Serial No (End)	Re
1	31505722100	HARNESS	1					
2	31362271510	SWITCH ASSY (PLATING:NACC)	1					
3	82197518119	CAP (PLUS ONE MFG./BLACK)	1					
4	91810130240	FASTENER	3					
5	31505562200	PLATE,NAME	1					

TM-ZT650 41057101003A FRAME/STD,MANUAL VALVE
PF5100181-01 FRAME ASSY



TM-ZT650 41057101003A FRAME/STD,MANUAL VALVE
PI1010228-02 MOTOR,HYDRAULIC (WINCH)

300



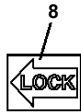
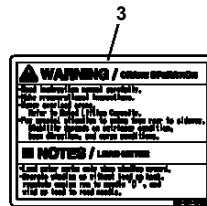
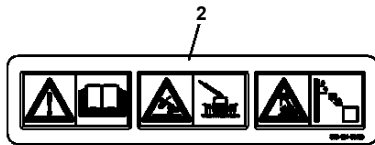
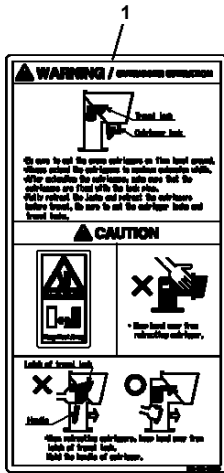
TM-ZT650 41057101003A FRAME/STD, MANUAL VALVE

Pos No.	Parts No	Parts Name	Qty	Unit	Technical Data	Serial No (Start)	Serial No (End)	Remarks
4	36671025020	GASKET	1					
10	36672590000	FILTER,OIL (CARTRIDGE)	1					

TM-ZT650 41057101003A FRAME/STD,MANUAL VALVE

Pos No.	Parts No	Parts Name	Qty	Unit	Technical Data	Serial No (Start)	Serial No (End)
1	37001806720	ROPE,WIRE (TESAC)	1				
5	36684410001	METER,HOOK LOAD (ENGLISH)	1				
6	(***** (*****	OUTRIGGER ASSY (L=575) OUTRIGGER ASSY (L=735,BOX TYPE)	1 1			KZ0332	

**TM-ZT650 41057101003A FRAME/STD,MANUAL VALVE
PN5010777-00 NAME PLATE ASSY (CAUTION,CONTROL)**



TM-ZT650 41057101003A FRAME/STD,MANUAL VALVE

Pos No.	Parts No	Parts Name	Qty	Unit	Technical Data	Serial No (Start)	Serial No (End)	Remarks	Pages
1	31505650100	PLATE,NAME	1						
2	31505650200	PLATE,NAME	1						
3	31505650300	PLATE,NAME	2						
4	31505600500	PLATE,CAUTION	2						
5	31505600600	PLATE,CAUTION	1						

CLICK HERE TO **DOWNLOAD** THE COMPLETE MANUAL

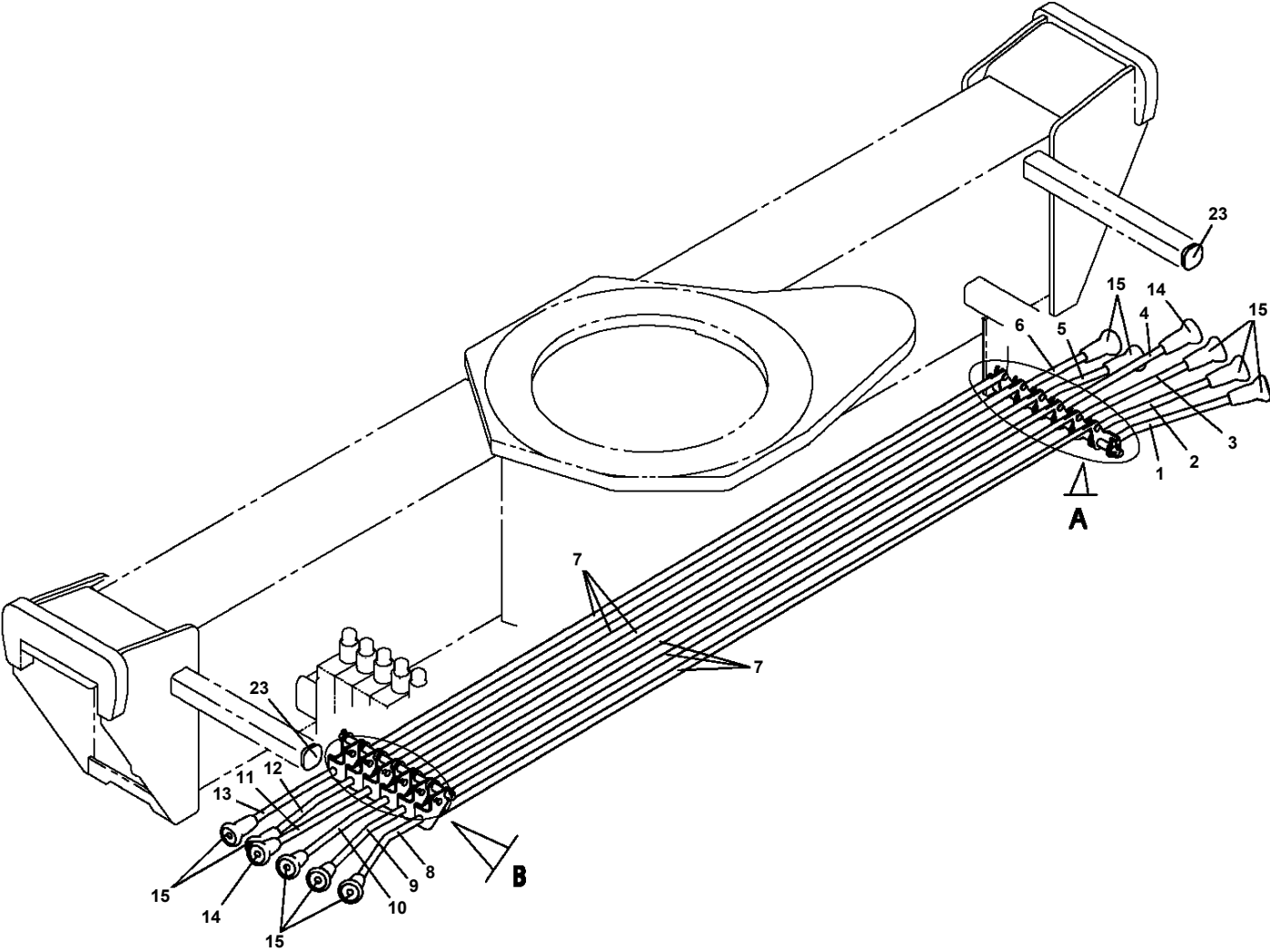
- Thank you very much for reading the preview of the manual.
- You can download the complete manual from: www.heydownloads.com by clicking the link below



- Please note: If there is no response to CLICKING the link, please download this PDF first and then click on it.

CLICK HERE TO **DOWNLOAD** THE COMPLETE MANUAL

TM-ZT650 41057101003A FRAME/STD,MANUAL VALVE
PO5080096-01 OPE.ASSY,CONT.VALVE



TM-ZT650 41057101003A FRAME/STD,MANUAL VALVE

Pos No.	Parts No	Parts Name	Qty	Unit	Technical Data	Serial No (Start)	Serial No (End)	Remarks
1	31615030130	PLATE	1					
2	80189305008	SCREW,MACHINE	2		M5X8			
3	31615030160	PIN	1					
4	80601110150	RING,RITAINING	2		15			
5	31620582010	BEARING,BALL	2					
6	31615011000	CASE,INNER	1					
7	31615026000	OUTRIGGER ASSY	1					
8	31670282000	SUPPORT	1					
10	31615030110	HOSE	2		L=2380			
11	82100001412	TUBE,SPIRAL	2	M	SE-12BK			
12	91810132530	FASTENER	5					
13	90174110025	BOLT	4		M10X25			
14	37000572180	PLATE	4					
15	99183705012	BOLT,HEXAGON SOCKET	4		M5X12			
16	80430620400	JOINT	2					
18	31615022101	LOCK ASSY	1					
19	90172108045	BOLT,HEXAGON SOCKET	1		M8X45			
20	90202200800	NUT	1		M8			
31	31615030410	PLATE,NAME	2					
32	31615030420	PLATE,NAME	2					
41	91002801100	O-RING	2		1B P11			
51	31615022110	HOOK	1					
52	37000400510	BEARING,PLAIN	2					
53	37000537270	PLATE	1					
54	90171112055	BOLT	1		M12X55			
55	37001400360	SPRING	1					
56	90203201200	NUT	1		M12			

TM-ZT650 41057101003A FRAME/STD,MANUAL VALVE

Pos No.	Parts No	Parts Name	Qty	Unit	Technical Data	Serial No (Start)	Serial No (End)	Remarks
1	(*****)	OUTRIGGER ASSY (LEFT)	1					
2	(*****)	OUTRIGGER ASSY (RIGHT)	1					
3	31615030300	PIN	1					
4	90101210040	BOLT	3		M10X40			
5	90302041001	WASHER,SPRING	3		10			
6	31615030700	BOLT	2					
7	90203202000	NUT	2		M20			

TM-ZT650 41057101003A FRAME/STD,MANUAL VALVE

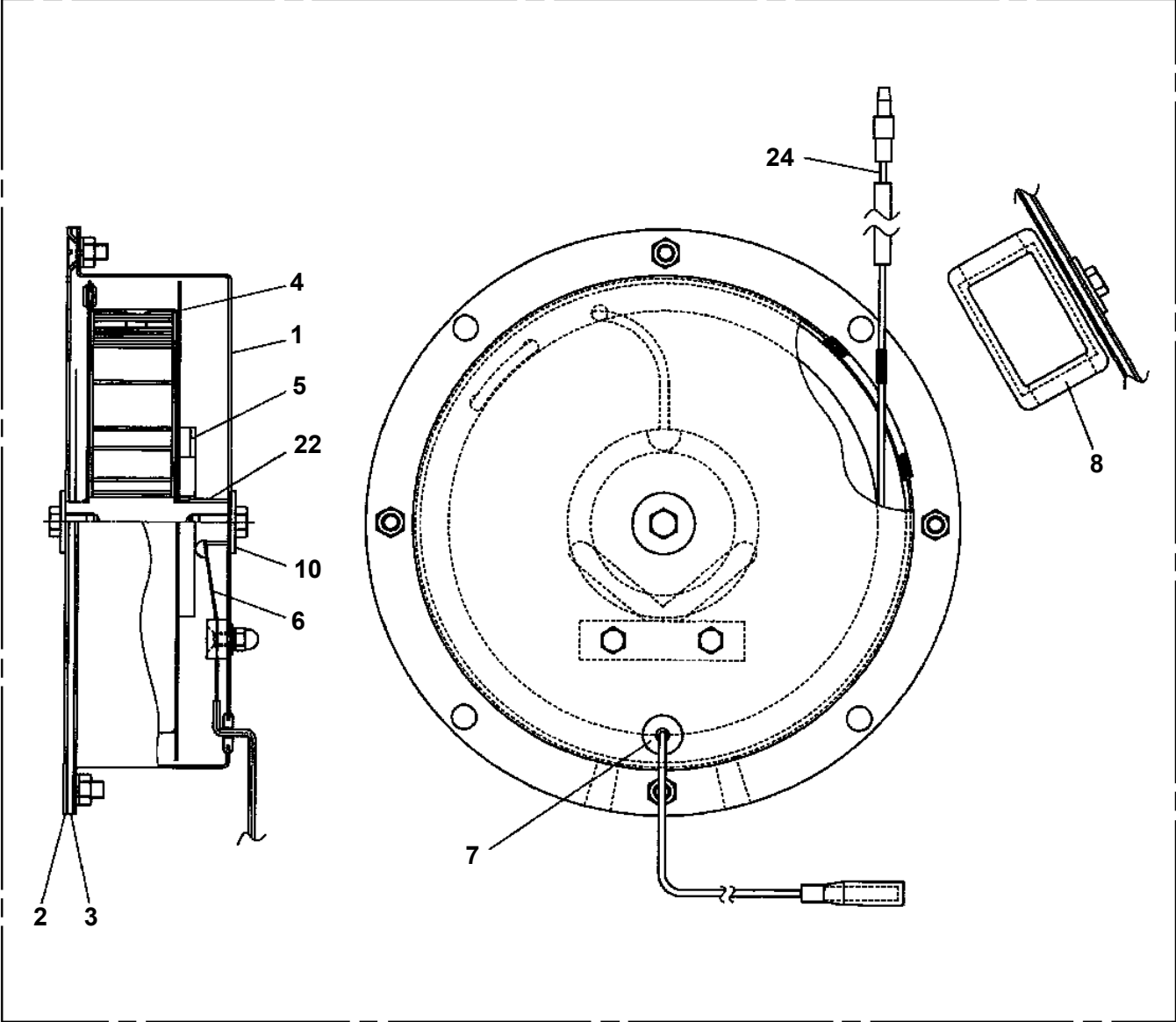
Pos No.	Parts No	Parts Name	Qty	Unit	Technical Data	Serial No (Start)	Serial No (End)	Remarks	P
1	31592890100	PLATE,NAME	1						
2	31592890200	PLATE,NAME	1						
3	31592890300	PLATE,NAME	2						
4	31592880400	PLATE,NAME	2						
5	31592890500	PLATE,NAME (8200KG)	2						
7	31592450700	PLATE,NAME	2						
8	31592890800	PLATE,NAME	1						
9	31592890900	PLATE,NAME	1						

TM-ZT650 41057101003A FRAME/STD,MANUAL VALVE

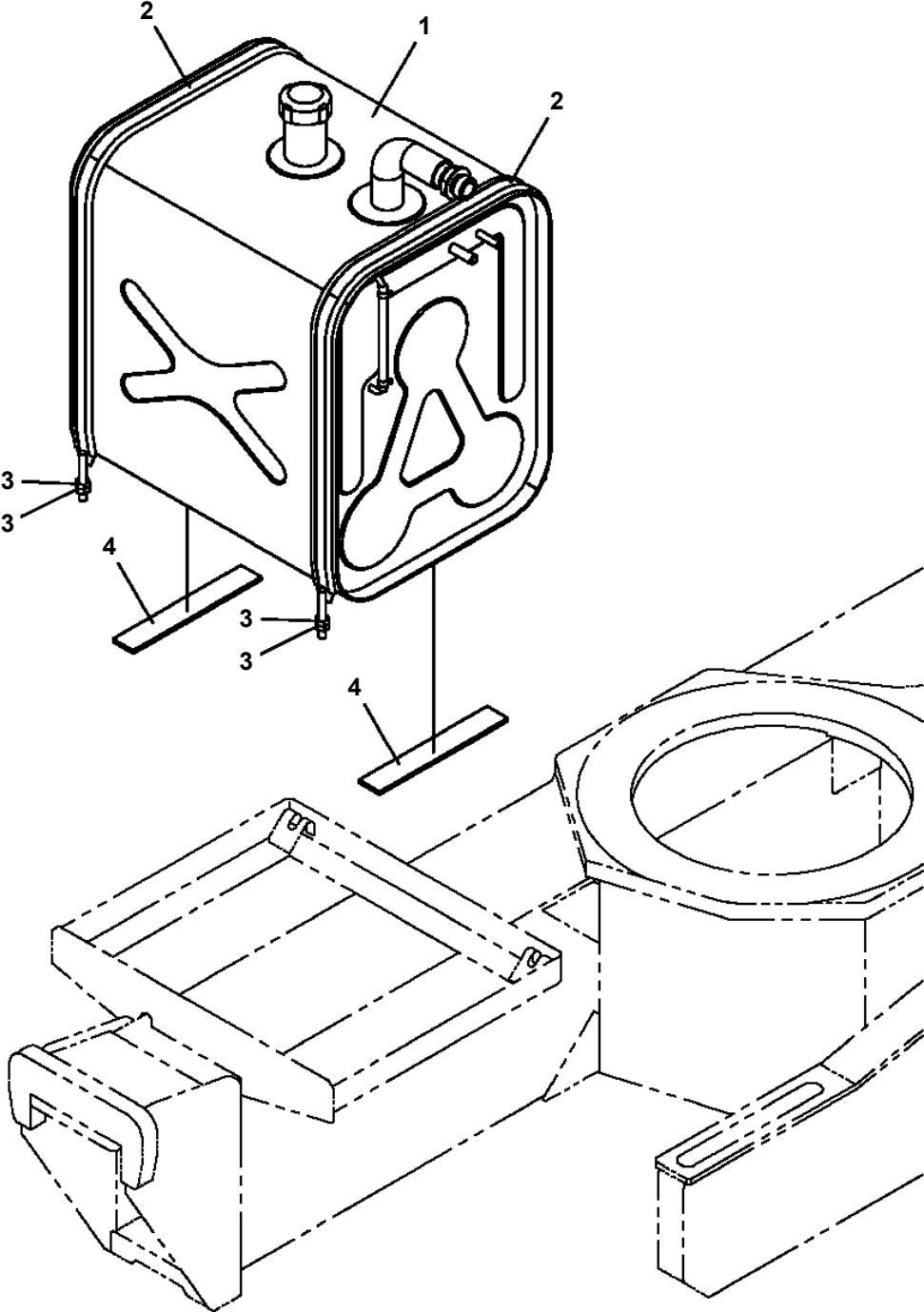
Pos No.	Parts No	Parts Name	Qty	Unit	Technical Data	Serial No (Start)	Serial No (End)	Remarks	Pa
1	31343400010	HOSE	2		L=1750				
2	31343400020	JOINT	2		S,G3/8-G3/8				
3	91002801400	O-RING	4		1B P14				
4	80430620600	JOINT (WITH O-RING)	4		L,G3/8-G3/8				
5	31343400030	JOINT	2		S,G3/8-G3/8				
6	31343400040	HOSE	1		L=450				
7	82100001412	TUBE, SPIRAL	1	M	SE-12BK				
8	80481004041	JOINT	2						
9	91002801800	O-RING	2		1B P18				
10	80430620800	JOINT	2						
11	31343400050	HOSE	2		L=710				
12	80430450650	JOINT	1						
13	31343400060	HOSE	1		L=710				
14	80430410650	JOINT	1						
15	31343400070	HOSE	1		L=475				
31	91002801400	O-RING	4		1B P14				
41	91002801800	O-RING	2		1B P18				

TM-ZT650 41057101003A FRAME/STD,MANUAL VALVE
PR5050032-00 REEL ASSY,CORD

100

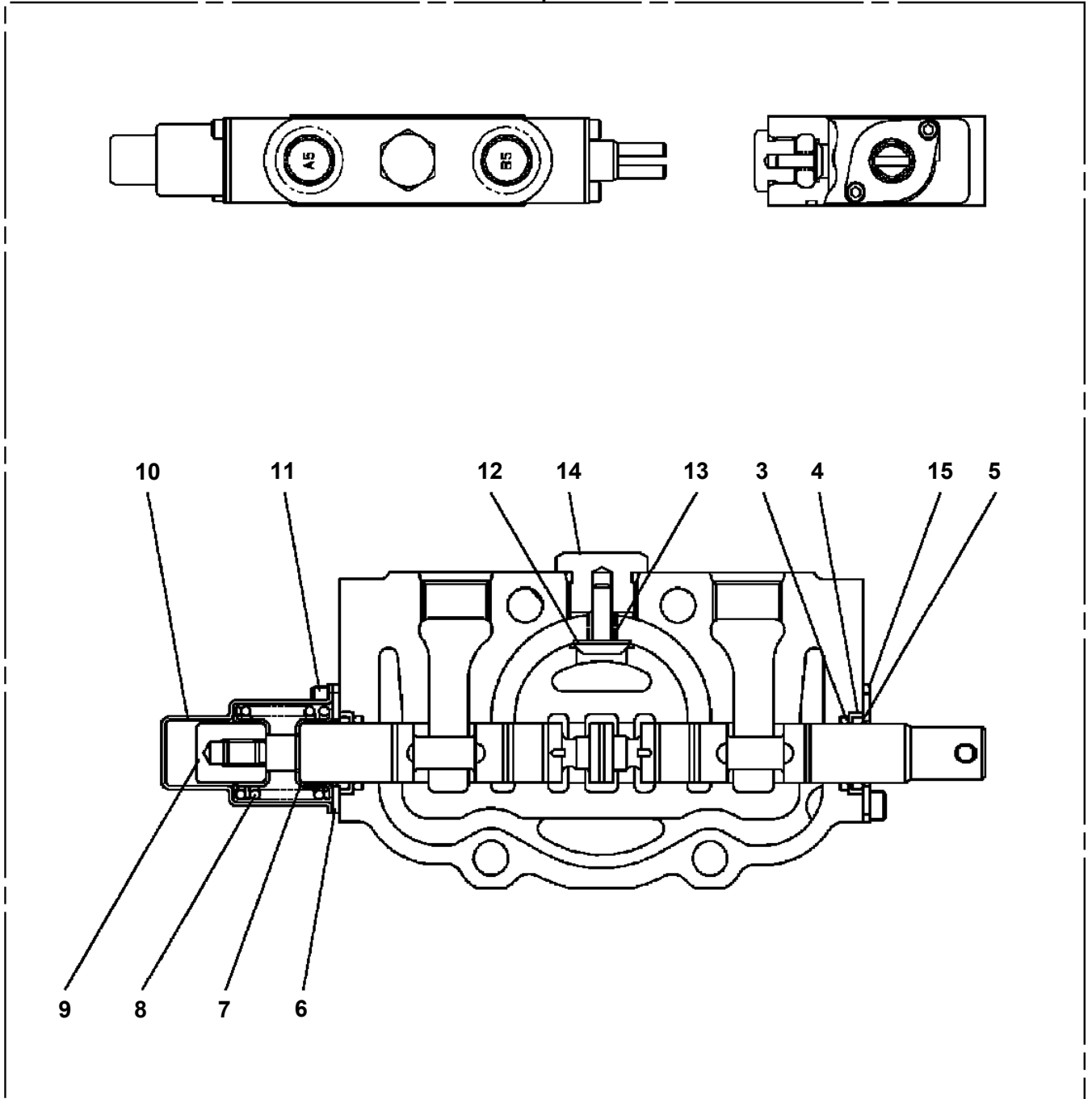


TM-ZT650 41057101003A FRAME/STD,MANUAL VALVE
PT5060006-02 TANK ASSY



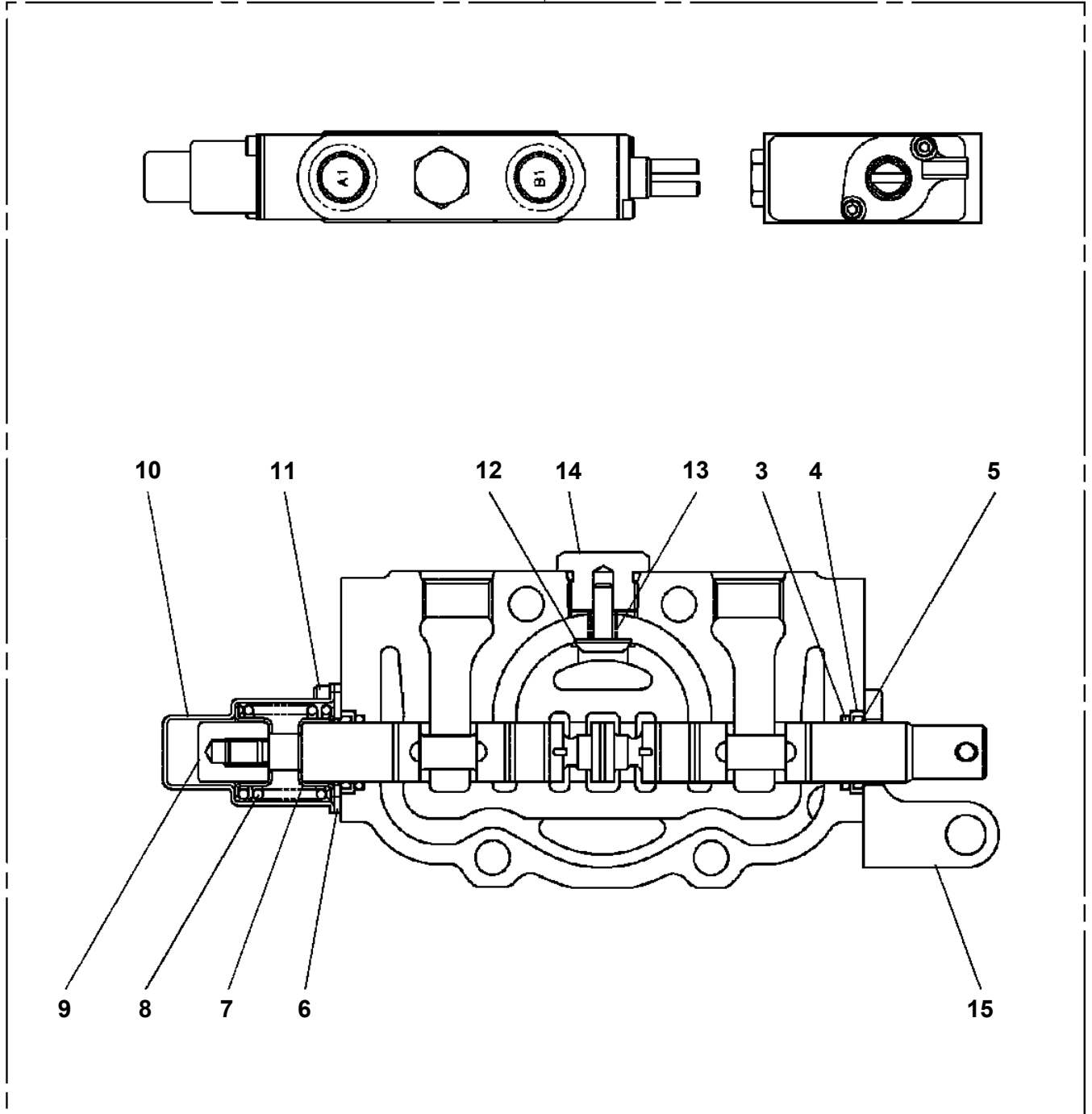
TM-ZT650 41057101003A FRAME/STD,MANUAL VALVE
PV5180016-00 VALVE ASSY,SELECTOR (TELESCOPE)

100

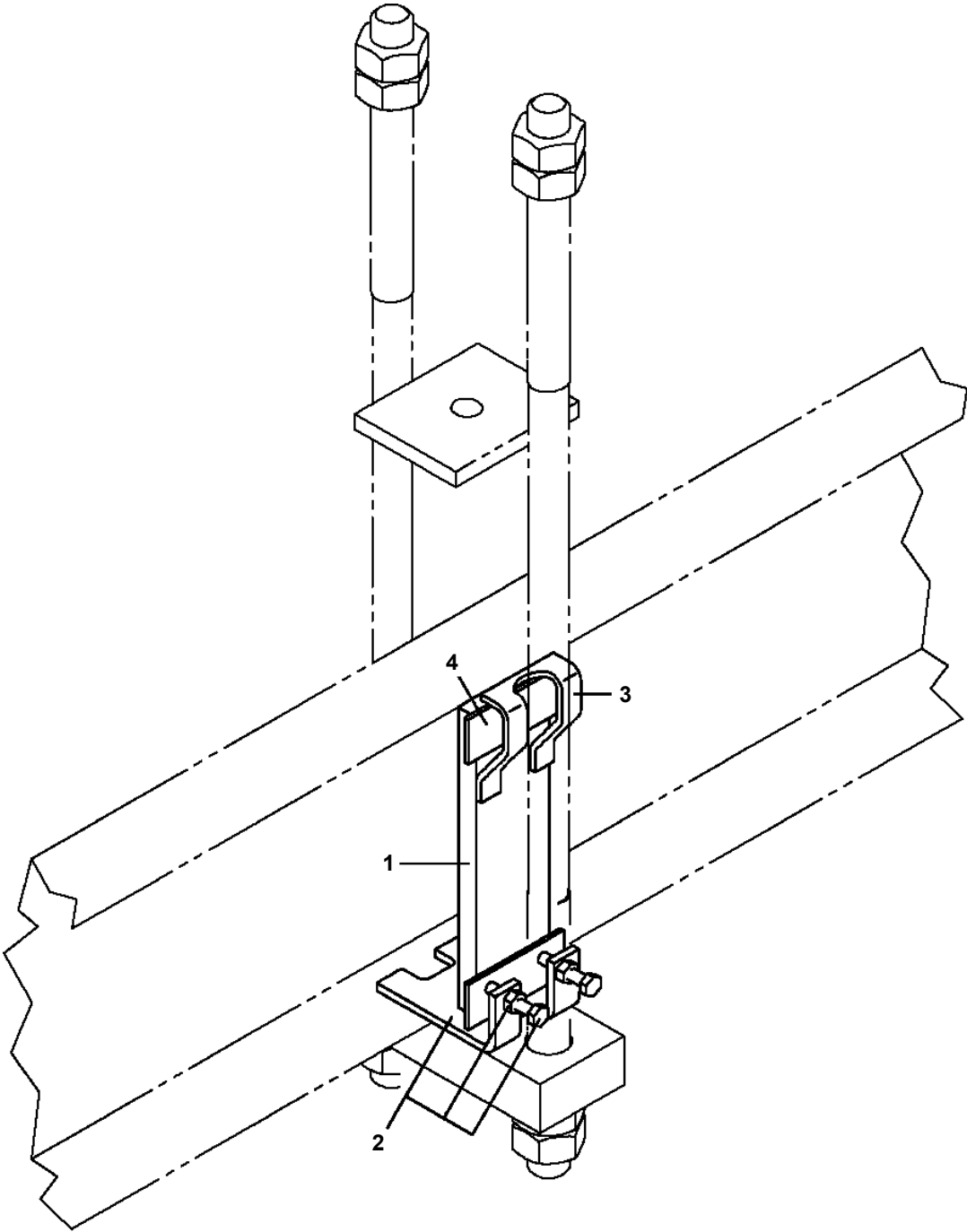


TM-ZT650 41057101003A FRAME/STD,MANUAL VALVE
PV5180025-00 VALVE ASSY,SELECTOR (JACK)

100



**TM-ZT650 41057101003A FRAME/STD,MANUAL VALVE
PX5230002-00 MOUNT ASSY,CHASSIS REINFORCEMENT**



(4 PLACES)

CLICK HERE TO **DOWNLOAD** THE COMPLETE MANUAL

- Thank you very much for reading the preview of the manual.
- You can download the complete manual from: www.heydownloads.com by clicking the link below



- Please note: If there is no response to CLICKING the link, please download this PDF first and then click on it.

CLICK HERE TO **DOWNLOAD** THE COMPLETE MANUAL