

TM-ZT400 41059201004A FRAME/STD,MANUAL VALVE

PB0000316-01 SYSTEM (ZT400)

PB0000318-01 SYSTEM (ZT630)

ASSEMBLY

CLICK HERE TO **DOWNLOAD** THE COMPLETE MANUAL

- Thank you very much for reading the preview of the manual.
- You can download the complete manual from: www.heydownloads.com by clicking the link below



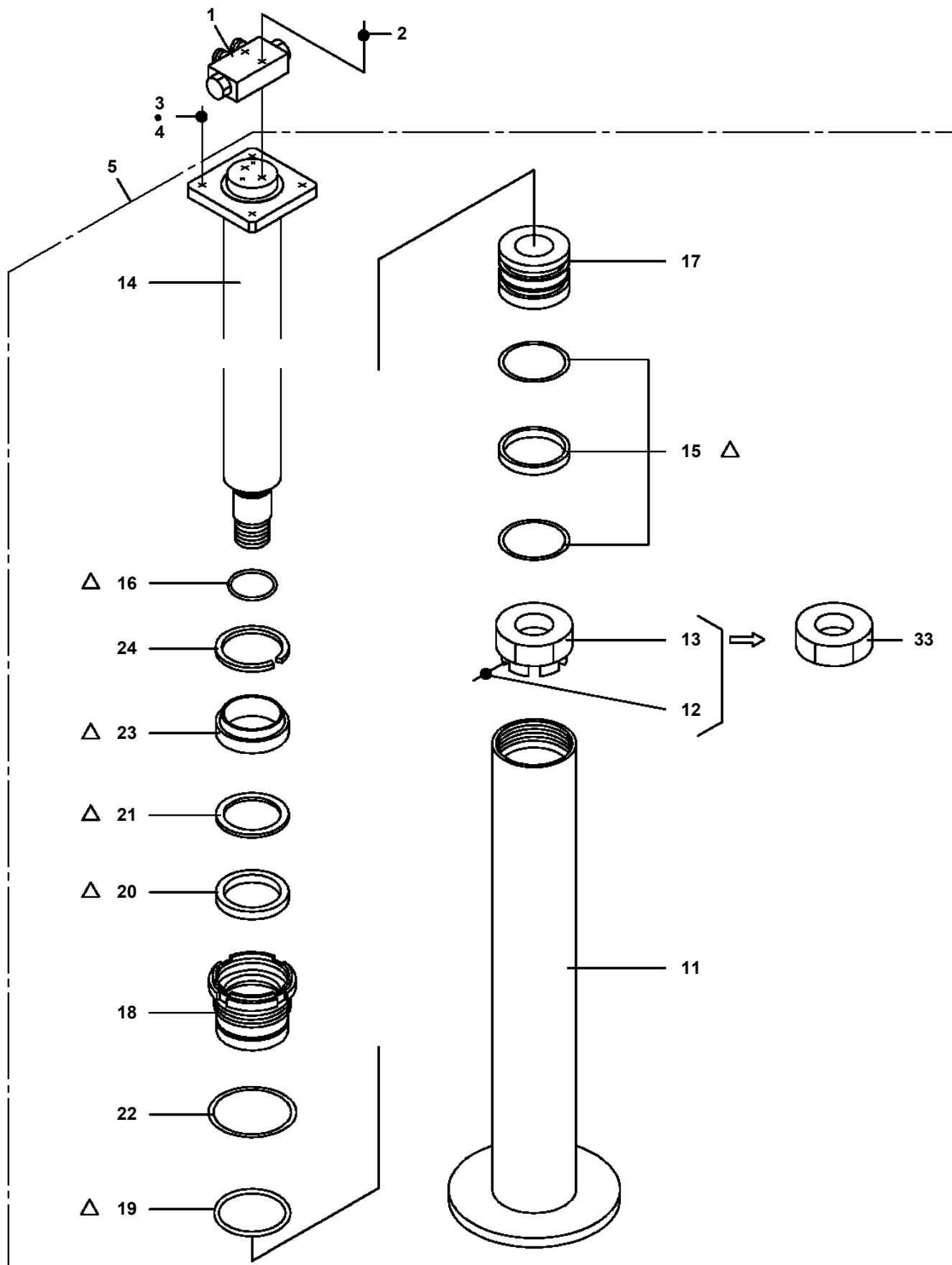
- Please note: If there is no response to CLICKING the link, please download this PDF first and then click on it.

CLICK HERE TO **DOWNLOAD** THE COMPLETE MANUAL

TM-ZT400 41059201004A FRAME/STD,MANUAL VALVE

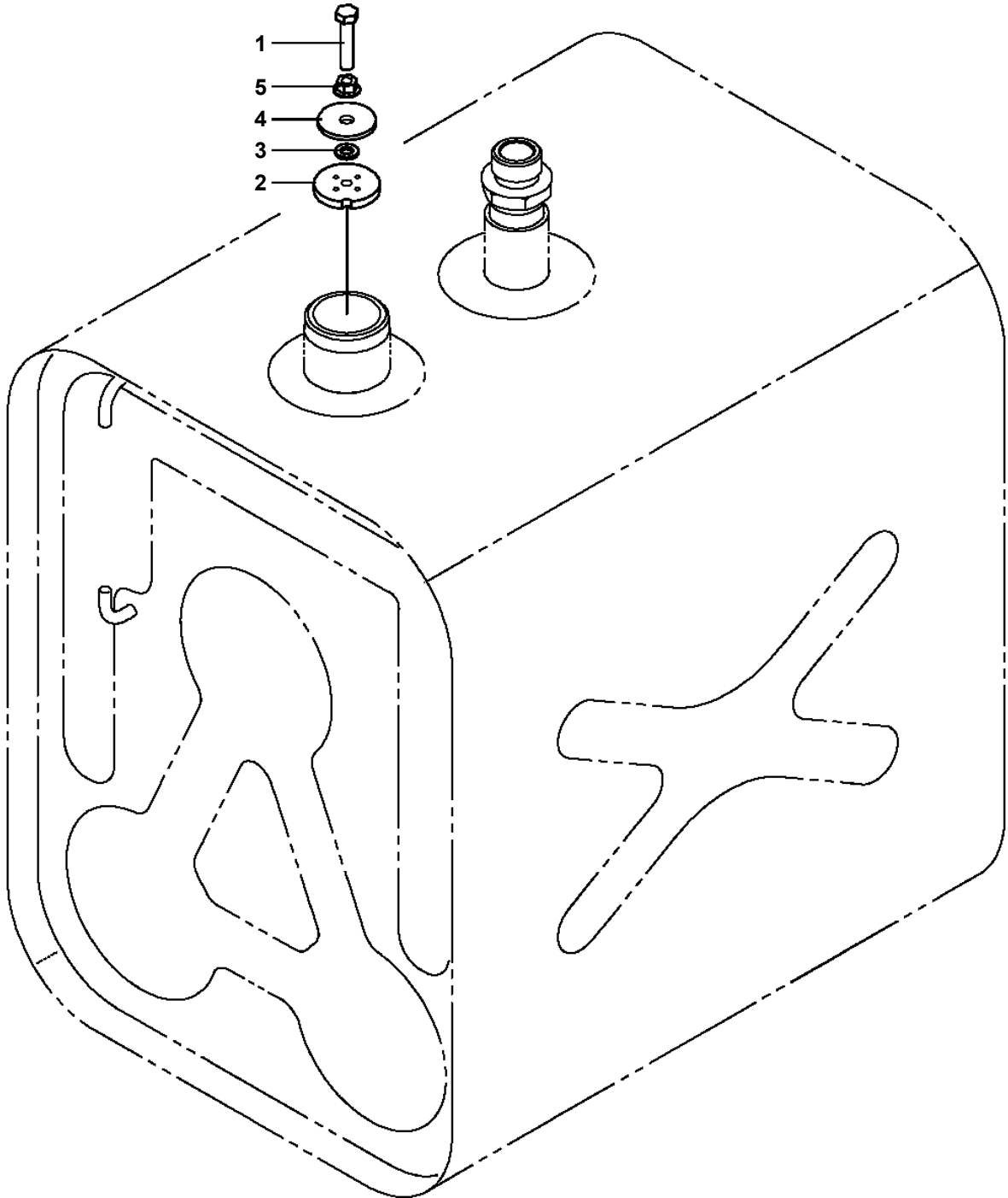
| Pos No. | Parts No | Parts Name | Qty | Unit | Technical Data | Serial No (Start) | Serial No (End) | Remark |
|---------|-------------|-------------------------|-----|------|----------------|-------------------|-----------------|--------|
| 81 | 36651645010 | SEAL KIT | 1 | | | | | |
| 100 | 36654340000 | PUMP,HYDRAULIC (52CC:R) | 1 | | | | | |

**TM-ZT400 41059201004A FRAME/STD,MANUAL VALVE
PC1030013-04 CYLINDER,JACK (REAR/STROKE 430MM)**

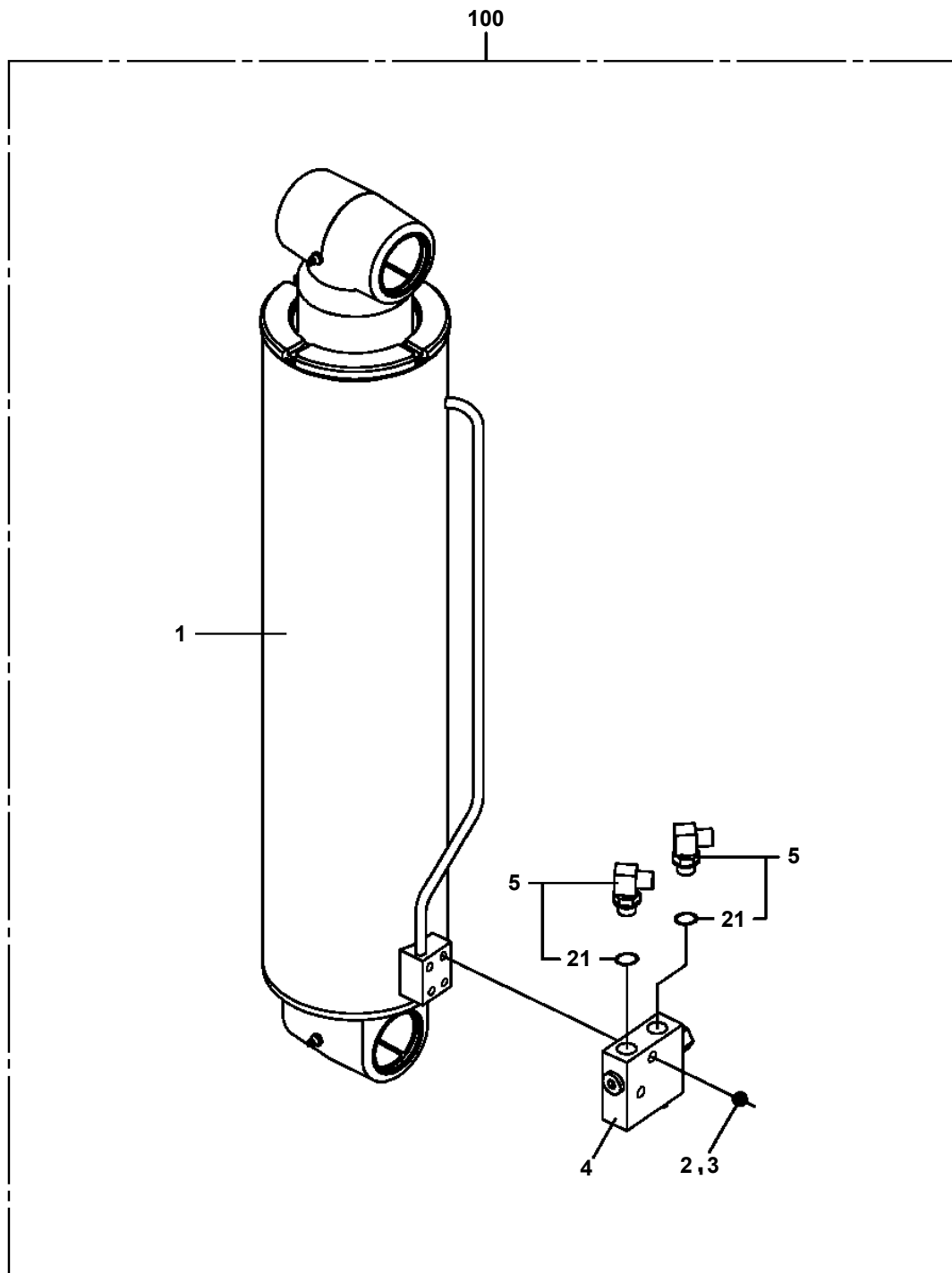


△:PACKING SET KEY NO. 50 (KEY NO.15,16,19,20,21,23)

TM-ZT400 41059201004A FRAME/STD,MANUAL VALVE
PC5570215-00 COVER ASSY

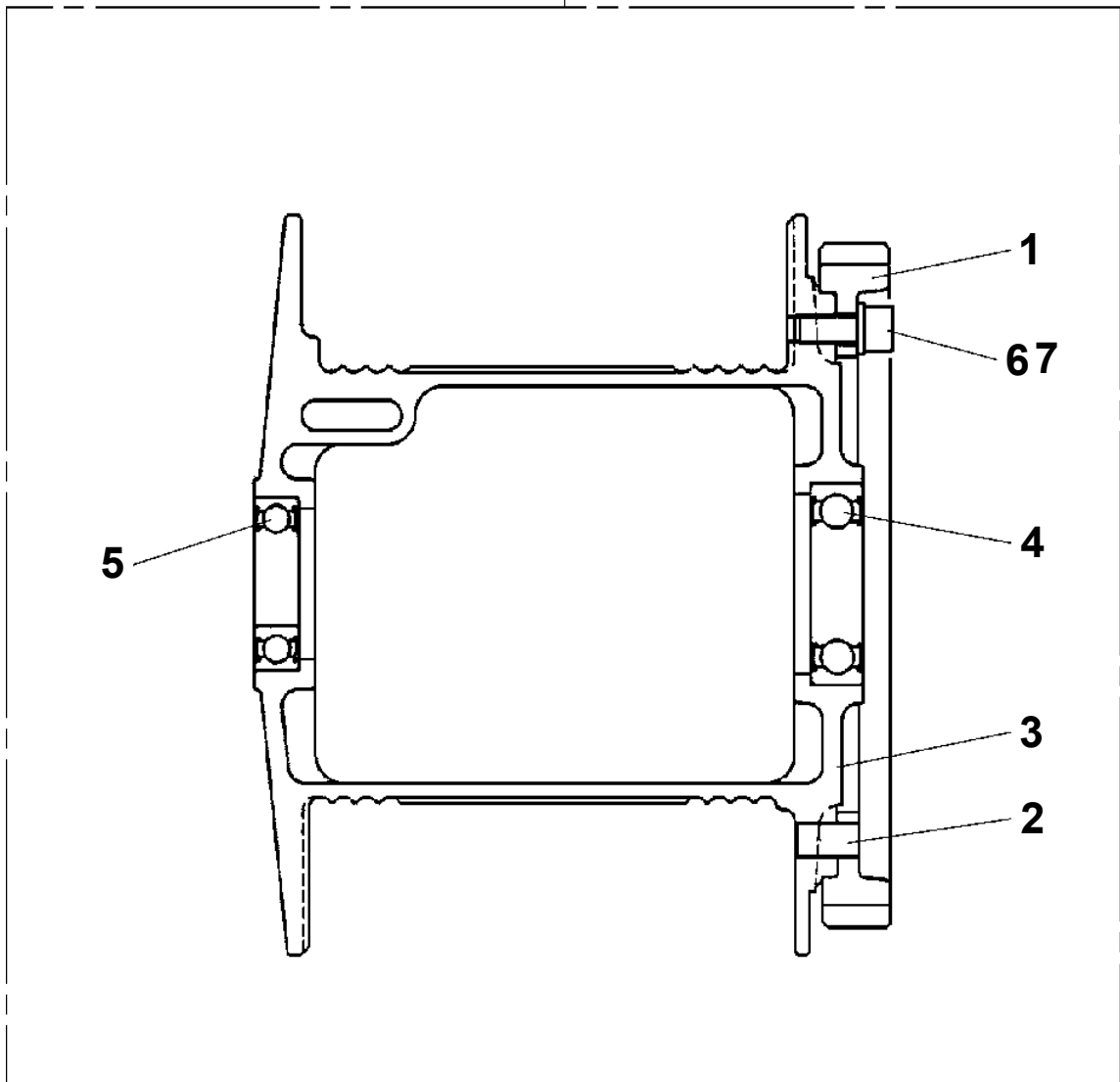


TM-ZT400 41059201004A FRAME/STD,MANUAL VALVE
PD5020027-00 DERRICK ASSY



TM-ZT400 41059201004A FRAME/STD,MANUAL VALVE
PF1020025-00 DRUM,WINCH (Y.G.TEC)

100



TM-ZT400 41059201004A FRAME/STD,MANUAL VALVE

| Pos No. | Parts No | Parts Name | Qty | Unit | Technical Data | Serial No (Start) | Serial No (End) | Remarks | Pages |
|---------|-------------|------------|-----|------|----------------|-------------------|-----------------|---------|-------|
| 1 | 31733063200 | HARNESS | 1 | | | | | | |

TM-ZT400 41059201004A FRAME/STD,MANUAL VALVE

| Pos No. | Parts No | Parts Name | Qty | Unit | Technical Data | Serial No (Start) | Serial No (End) | Remarks | Pages |
|---------|-------------|-------------|-----|------|----------------|-------------------|-----------------|---------|-------|
| 34 | 36620405020 | VALVE ASSY | 1 | | | | | | |
| 100 | 36620400000 | VALVE,CHECK | 1 | | | | | | |

TM-ZT400 41059201004A FRAME/STD, MANUAL VALVE

| Pos No. | Parts No | Parts Name | Qty | Unit | Technical Data | Serial No (Start) | Serial No (End) | Remarks |
|---------|-------------|------------------------|-----|------|----------------|-------------------|-----------------|---------|
| 4 | 36671025020 | GASKET | 1 | | | | | |
| 10 | 36672590000 | FILTER,OIL (CARTRIDGE) | 1 | | | | | |

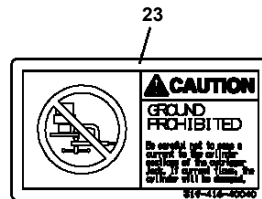
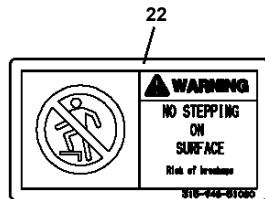
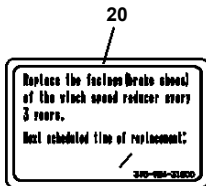
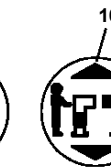
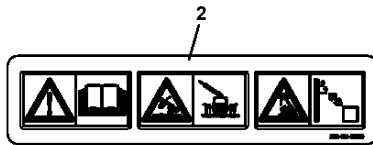
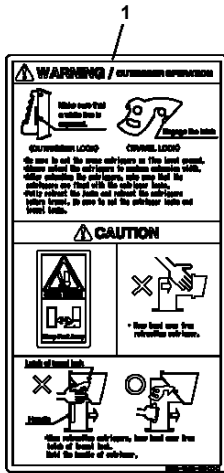
TM-ZT400 41059201004A FRAME/STD,MANUAL VALVE

| Pos No. | Parts No | Parts Name | Qty | Unit | Technical Data | Serial No (Start) | Serial No (End) | Rem |
|---------|-------------|---------------------------|-----|------|----------------|-------------------|-----------------|-----|
| 1 | 37001809760 | ROPE,WIRE (KISWIRE) | 1 | | | | | |
| 3 | 31310680300 | DRUM,WINCH (Y.G.TEC) | 1 | | | | | |
| 5 | 36684400000 | METER,HOOK LOAD (ENGLISH) | 1 | | | | | |
| 11 | (*****) | OUTRIGGER ASSY | 1 | | | | | |
| 12 | (*****) | LOCK ASSY | 1 | | | | | |
| 13 | (*****) | PIPING ASSY,OUTRIGGER | 1 | | | | | |
| 14 | (*****) | STOPPER ASSY (OUTRIGGER) | 1 | | | | | |

TM-ZT400 41059201004A FRAME/STD,MANUAL VALVE

| Pos No. | Parts No | Parts Name | Qty | Unit | Technical Data | Serial No (Start) | Serial No (End) | F |
|---------|-------------|----------------------------|-----|------|----------------|-------------------|-----------------|---|
| 5 | 82105501002 | SWITCH,TOGGLE (PLATING) | 2 | | NACC 3TJW106G | | | |
| 10 | 31656141310 | SWITCH ASSY (PLATING:NACC) | 1 | | | | | |

**TM-ZT400 41059201004A FRAME/STD,MANUAL VALVE
PN5011334-01 NAME PLATE ASSY (CAUTION,CONTROL)**



CLICK HERE TO **DOWNLOAD** THE COMPLETE MANUAL

- Thank you very much for reading the preview of the manual.
- You can download the complete manual from: www.heydownloads.com by clicking the link below



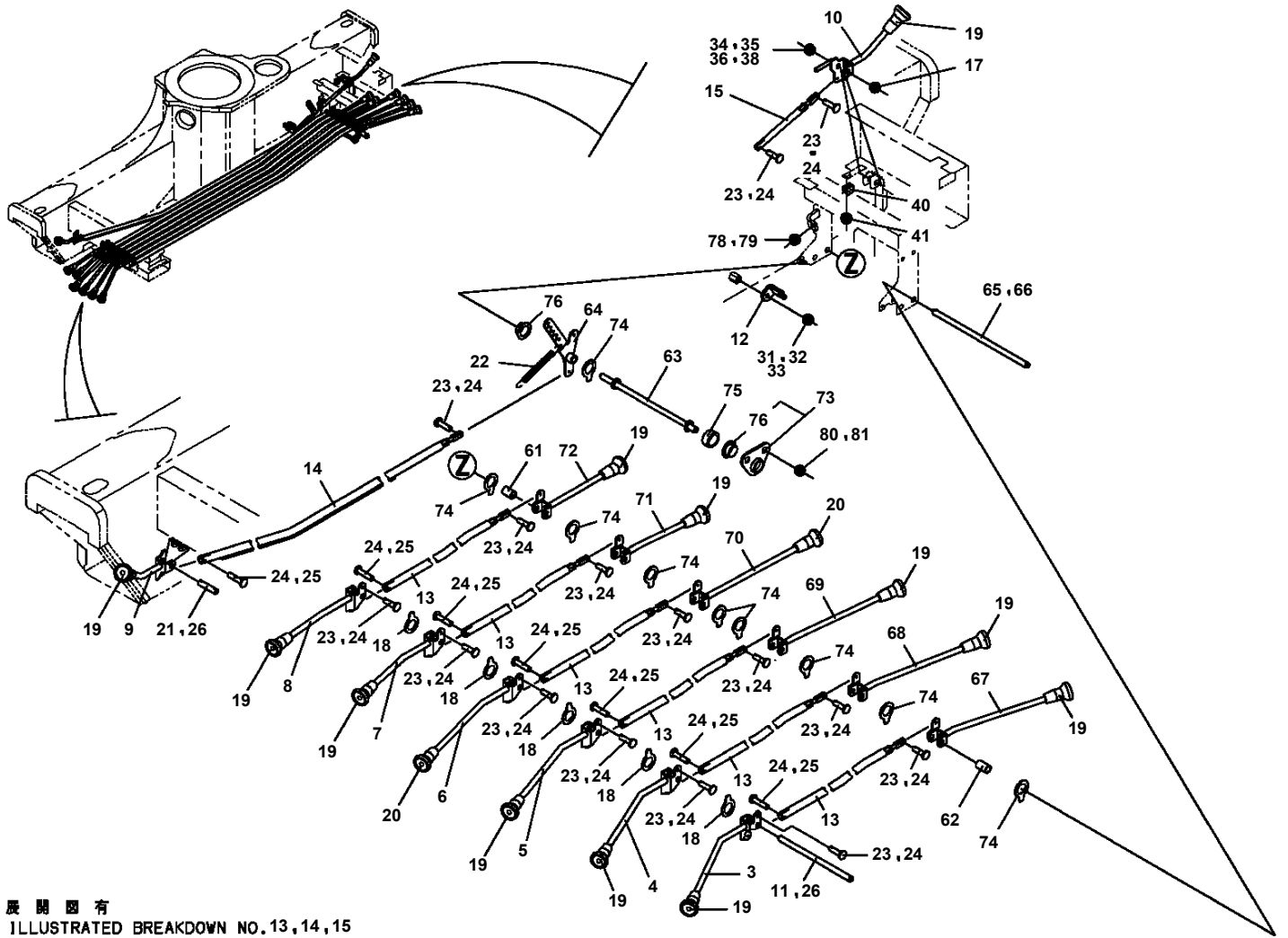
- Please note: If there is no response to CLICKING the link, please download this PDF first and then click on it.

CLICK HERE TO **DOWNLOAD** THE COMPLETE MANUAL

TM-ZT400 41059201004A FRAME/STD,MANUAL VALVE

| Pos No. | Parts No | Parts Name | Qty | Unit | Technical Data | Serial No (Start) | Serial No (End) |
|---------|-------------|------------------------------|-----|------|----------------|-------------------|-----------------|
| 1 | 31733574100 | PLATE,NAME | 1 | | | | |
| 2 | 31733574200 | PLATE,NAME | 1 | | | | |
| 3 | 31733574300 | PLATE,CAUTION (CRUSH HAZARD) | 2 | | | | |

TM-ZT400 41059201004A FRAME/STD,MANUAL VALVE
 PO5080201-00 OPE.ASSY,CONT.VALVE



展開圖有
 ILLUSTRATED BREAKDOWN NO.13,14,15

TM-ZT400 41059201004A FRAME/STD,MANUAL VALVE

| Pos No. | Parts No | Parts Name | Qty | Unit | Technical Data | Serial No (Start) | S |
|---------|-------------|---|-----|------|----------------|-------------------|---|
| 2 | 36654340000 | PUMP,HYDRAULIC (52CC:R) | 1 | | | | |
| 3 | (*****) | MOUNT ASSY,CHASSIS REINFORCEMENT (L=3550) | 1 | | | | |
| 4 | (*****) | MOUNT ASSY,FLOAT | 1 | | | | |
| 5 | (*****) | ELEC.ASSY | 1 | | | | |
| 6 | (*****) | VALVE ASSY,SELECTOR | 1 | | | | |
| 11 | (*****) | MOUNT ASSY,PUMP (60CC) | 1 | | | | |
| 12 | (*****) | PIPING ASSY,PUMP (60CC) | 1 | | | | |

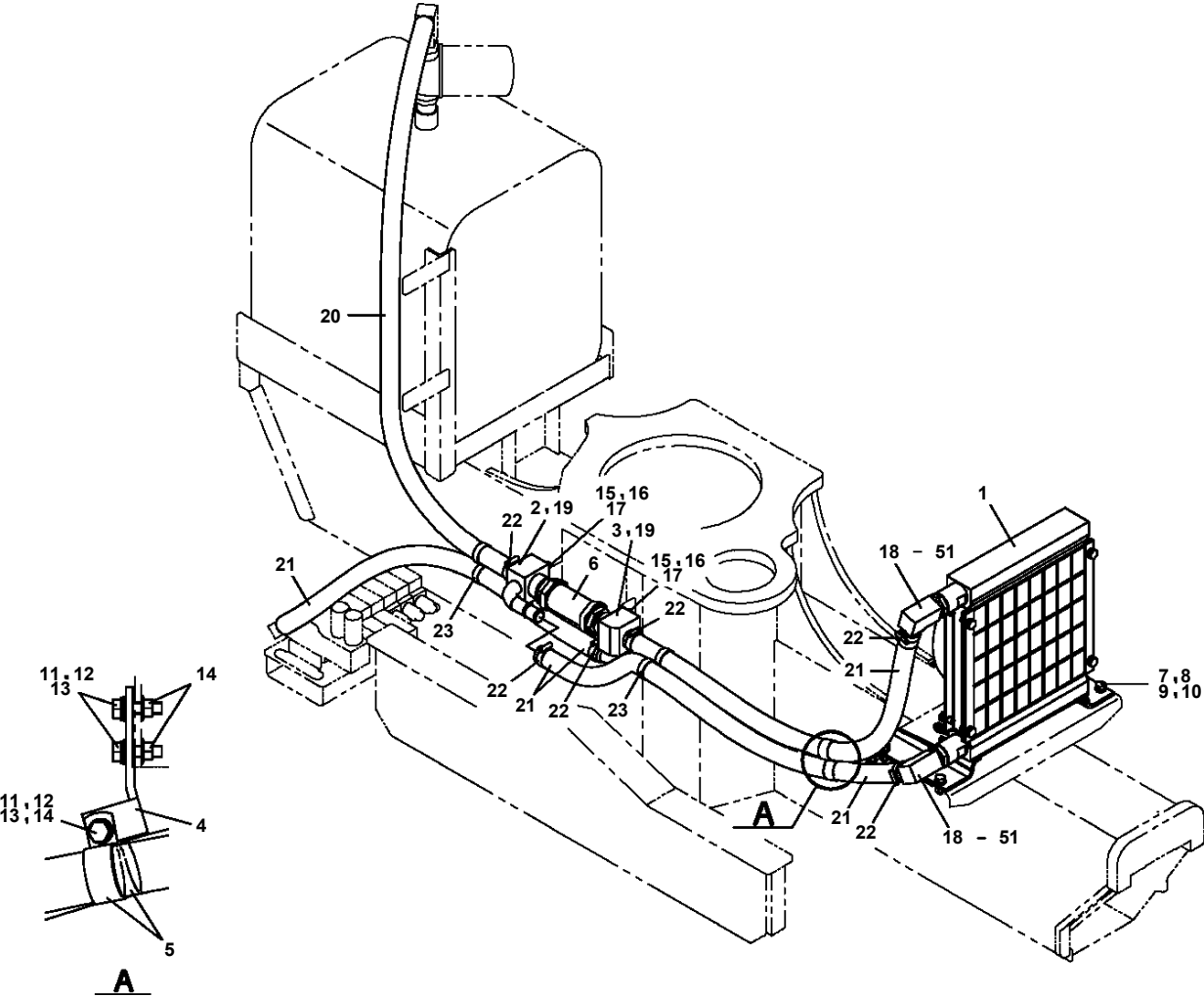
TM-ZT400 41059201004A FRAME/STD,MANUAL VALVE

| Pos No. | Parts No | Parts Name | Qty | Unit | Technical Data | Serial No (|
|---------|-------------|---|-----|------|----------------|-------------|
| 1 | (*****) | PIPING ASSY | 1 | | | |
| 2 | (*****) | ELEC.ASSY | 1 | | | |
| 3 | (*****) | OPE.ASSY,CONT.VALVE (VALVE ASSY,REMOTE CONTROL) | 1 | | | |
| 6 | (*****) | LOCK ASSY (REAR OUTRIGGER) | 1 | | | |
| 7 | (*****) | PLATE ASSY,NAME | 1 | | | |
| 8 | (*****) | ELEC.ASSY (POWER RELAY) | 1 | | | |
| 31 | (*****) | CYLINDER,JACK (REAR/STROKE 430MM) | 2 | | | |
| 32 | (*****) | FRAME ASSY (REAR) | 1 | | | |
| 51 | 31621340300 | SUPPORT | 2 | | | |
| 52 | 90171116050 | BOLT | 8 | | M16X50 | |
| 53 | 90202781600 | NUT | 16 | | M16 | |
| 55 | 37000539370 | PLATE | 2 | | | |

TM-ZT400 41059201004A FRAME/STD,MANUAL VALVE

| Pos No. | Parts No | Parts Name | Qty | Unit | Technical Data | Serial No (Start) | Serial No (End) | Remarks | Pages |
|---------|-------------|---------------|-----|------|----------------|-------------------|-----------------|---------|-------|
| 1 | 82401800060 | PLUG (FOR M6) | 2 | | | | | | |

TM-ZT400 41059201004A FRAME/STD,MANUAL VALVE
PP6010367-00 PIPING ASSY



TM-ZT400 41059201004A FRAME/STD,MANUAL VALVE

| Pos No. | Parts No | Parts Name | Qty | Unit | Technical Data | Serial No (Start) | Serial No (End) | Remarks | Pages |
|---------|-------------|---------------|-----|------|----------------|-------------------|-----------------|---------|-------|
| 1 | 31925150100 | HOSE | 1 | | L=2550 | | | | |
| 2 | 31925150200 | HOSE | 1 | | L=3500 | | | | |
| 4 | 37000912180 | JOINT ASSY | 1 | | | | | | |
| 5 | 91803600500 | CLIP | 4 | | D=35-50 | | | | |
| 6 | 31924362000 | CLAMP ASSY | 4 | | D=21 | | | | |
| 7 | 31925151000 | CLAMP ASSY | 5 | | D=44 | | | | |
| 8 | 91860100022 | CLAMP | 1 | | KCR-W22 | | | | |
| 9 | 31231800020 | BOLT | 1 | | M8X15 | | | | |
| 10 | 90302040801 | WASHER,SPRING | 1 | | 8 | | | | |
| 11 | 90101210016 | BOLT | 2 | | M10X16 | | | | |
| 12 | 90302041001 | WASHER,SPRING | 2 | | 10 | | | | |
| 13 | 31924360300 | TUBE,SPIRAL | 5 | | L=170 | | | | |
| 14 | 31924360400 | TUBE,SPIRAL | 5 | | L=140 | | | | |
| 15 | 80471020504 | JOINT | 1 | | HL205-04 | | | | |
| 16 | 91002801800 | O-RING | 1 | | 1B P18 | | | | |
| 41 | 91001102900 | O-RING | 1 | | 1A P29 | | | | |

TM-ZT400 41059201004A FRAME/STD,MANUAL VALVE

| Pos No. | Parts No | Parts Name | Qty | Unit | Technical Data | Serial No (Start) | Serial No (End) | Remarks |
|---------|-------------|----------------------|-----|------|----------------|-------------------|-----------------|---------|
| 1 | 37002304820 | BEARING,SWING (KOYO) | 1 | | | | | |
| 2 | 37001507220 | BOLT | 25 | | M20X85 | | | |
| 3 | 37001510290 | BOLT | 10 | | M20X55 | | | |
| 4 | 90171116045 | BOLT | 5 | | M16X45 | | | |
| 5 | 90303501601 | WASHER,PLAIN | 5 | | 16 | | | |
| 6 | 36081760000 | REDUCER,SWING SPEED | 1 | | | | | |
| 7 | 91001208500 | O-RING | 1 | | 1A G85 | | | |
| 8 | 90172112035 | BOLT,HEXAGON SOCKET | 2 | | M12X35 | | | |
| 9 | 90302041201 | WASHER,SPRING | 2 | | 12 | | | |
| 10 | 36663950000 | MOTOR,HYDRAULIC | 1 | | | | | |
| 11 | 90303502001 | WASHER,PLAIN | 31 | | 20 | | | |

TM-ZT400 41059201004A FRAME/STD,MANUAL VALVE

| Pos No. | Parts No | Parts Name | Qty | Unit | Technical Data | Serial No (Start) | Serial No (End) | Remarks |
|---------|-------------|----------------------|-----|------|----------------|-------------------|-----------------|---------|
| 216 | 36645615210 | PLUG | 1 | | 24 | | | |
| 217 | 80316030060 | PLUG | 1 | | PT3/8 | | | |
| 220 | 90303070401 | WASHER,PLAIN | 1 | | 4 | | | |
| 304 | 36646875150 | ORIFICE | 1 | | M3 | | | |
| 305 | 91002800700 | O-RING | 1 | | 1B P7 | | | |
| 308 | 36647175100 | SEAT,SPRING | 1 | | | | | |
| 309 | 36635735120 | SPRING | 1 | | | | | |
| 310 | 12635101130 | SCREW (ADJUSTING) | 1 | | | | | |
| 311 | 11629431040 | PACKING | 2 | | | | | |
| 312 | 36646575090 | NUT | 1 | | | | | |
| 313 | 36630195030 | NUT,CAP | 1 | | | | | |
| 314 | 91001102200 | O-RING | 1 | | 1A P22 | | | |
| 315 | 12635101110 | SPRING (RETURN) | 1 | | | | | |
| 318 | 91002802100 | O-RING | 1 | | 1B P21 | | | |
| 319 | 36646865160 | SEAT,SPRING | 1 | | | | | |
| 320 | 36635735140 | SPRING (B) | 1 | | | | | |
| 321 | 36635735130 | SPRING (A) | 1 | | | | | |
| 322 | 91001001800 | O-RING | 2 | | S18 | | | |
| 323 | 36646865150 | COVER (FOR SOLENOID) | 1 | | | | | |
| 325 | 36646865170 | ROD,PUSH | 1 | | 8 | | | |
| 326 | 36740765070 | SOLENOID ASSY | 1 | | | | | |
| 327 | 36640735130 | PLUG | 1 | | M6 | | | |
| 328 | 36642065070 | WASHER,SEAL | 2 | | | | | |
| 329 | 90203200600 | NUT | 1 | | M6 | | | |
| 330 | 36640735140 | NUT,CAP | 1 | | M6 | | | |
| 331 | 36640625680 | TUBE (SEAL) | 1 | | | | | |
| 332 | 16623320390 | TUBE (SEAL) | 1 | | | | | |
| 425 | 36740745140 | SCREW,MACHINE | 8 | | M4X12 | | | |
| 451 | 36740855030 | VALVE,SOLENOID (KIT) | 4 | | | | | |
| 900 | 36740770001 | VALVE,REMOTE CONTROL | 1 | | | | | |

TM-ZT400 41059201004A FRAME/STD,MANUAL VALVE

| Pos No. | Parts No | Parts Name | Qty | Unit | Technical Data | Serial No (Start) | Serial No (End) |
|---------|-------------|---------------------------------|-----|------|----------------|-------------------|-----------------|
| 3 | 36633365100 | SEAL,OIL | 2 | | | | |
| 4 | 36638805020 | PLATE | 1 | | | | |
| 5 | 36645495210 | SEAT,SPRING (RETURN) | 2 | | | | |
| 6 | 36645845060 | SPRING (RETURN) | 1 | | | | |
| 7 | 36636635100 | ADAPTER | 1 | | | | |
| 8 | 36636635110 | CAP | 1 | | | | |
| 9 | 36645615260 | C-BOLT | 4 | | M5X8 | | |
| 10 | 12635101360 | SPOOL | 1 | | | | |
| 11 | 36635735150 | SPRING (CHECK VALVE) | 1 | | | | |
| 12 | 91001101400 | O-RING | 1 | | 1A P14 | | |
| 13 | 36633365090 | CAP (CHECK VALVE) | 1 | | | | |
| 14 | 36633365060 | PLATE (B) | 1 | | | | |
| 100 | 36638800030 | VALVE ASSY,SELECTOR (TELESCOPE) | 1 | | | | |

TM-ZT400 41059201004A FRAME/STD,MANUAL VALVE

| Pos No. | Parts No | Parts Name | Qty | Unit | Technical Data | Serial No (Start) | Serial No (End) | Remarks |
|---------|-------------|----------------------|-----|------|----------------|-------------------|-----------------|---------|
| 2 | 36073085020 | COVER | 1 | | | | | |
| 3 | 36073815010 | GEAR,SPUR | 1 | | | | | |
| 6 | 36073085061 | BRAKE,DISK | 1 | | | | | |
| 7 | 36073085072 | WHEEL,RATCHET | 1 | | | | | |
| 8 | 36073085080 | RING (C) | 1 | | | | | |
| 10 | 36073085090 | RATCHET | 1 | | | | | |
| 11 | 36073085100 | SHAFT | 1 | | | | | |
| 12 | 36073085111 | SPRING | 1 | | | | | |
| 13 | 36073085120 | CAP | 1 | | | | | |
| 14 | 36073085130 | PIN | 1 | | | | | |
| 15 | 36073085140 | NUT | 1 | | | | | |
| 16 | 80500006202 | BEARING,BALL | 1 | | | | | |
| 17 | 80500006211 | BEARING,BALL | 1 | | | | | |
| 18 | 80500006305 | BEARING,BALL | 1 | | | | | |
| 19 | 80500006007 | BEARING,BALL | 1 | | | | | |
| 20 | 36073085150 | SEAL,OIL | 1 | | | | | |
| 21 | 80602110620 | RING,RITAINING | 1 | | R62 | | | |
| 22 | 36071195200 | O-RING | 1 | | | | | |
| 23 | 91001101500 | O-RING | 1 | | 1A P15 | | | |
| 24 | 80136340040 | PIN,SPLIT | 1 | | 4X40 | | | |
| 25 | 36073085160 | KEY | 2 | | | | | |
| 26 | 36073085180 | BOLT (WITH SW) | 6 | | | | | |
| 27 | 36073085200 | PLUG | 1 | | | | | |
| 28 | 36073085170 | GAUGE,OIL | 1 | | | | | |
| 29 | 80172304015 | SCREW,MACHINE | 1 | | M4X15 | | | |
| 30 | 90302040401 | WASHER,SPRING | 1 | | 4 | | | |
| 51 | 36073085603 | GEAR ASSY | 1 | | | | | |
| 100 | 36073810000 | WINCH ASSY (Y.G.TEC) | 1 | | | | | |
| 101 | 36070441000 | FACING KIT(JAPANESE) | 1 | | | | | |
| 102 | 36070442000 | FACING KIT (ENGLISH) | 1 | | | | | |

TM-ZT400 41059201004A FRAME/STD,MANUAL VALVE

| Pos No. | Parts No | Parts Name | Qty | Unit | Technical Data | Serial No (Start) | Serial No (End) | Remarks | Pages |
|---------|-------------|------------|-----|------|----------------|-------------------|-----------------|---------|-------|
| 1 | 31864071000 | SPACER | 4 | | | | | | |
| 2 | 31864070100 | SUPPORT | 4 | | | | | | |

CLICK HERE TO **DOWNLOAD** THE COMPLETE MANUAL

- Thank you very much for reading the preview of the manual.
- You can download the complete manual from: www.heydownloads.com by clicking the link below



- Please note: If there is no response to CLICKING the link, please download this PDF first and then click on it.

CLICK HERE TO **DOWNLOAD** THE COMPLETE MANUAL