

TM-ZR300 31014020240 BOOM/5 SECT.,S-HOOK-IN

PB0000025-03 SYSTEM (ZR300,DOMESTIC)

PB0000032-03 SYSTEM (ZR360,DOMESTIC)

ASSEMBLY

CLICK HERE TO **DOWNLOAD** THE COMPLETE MANUAL

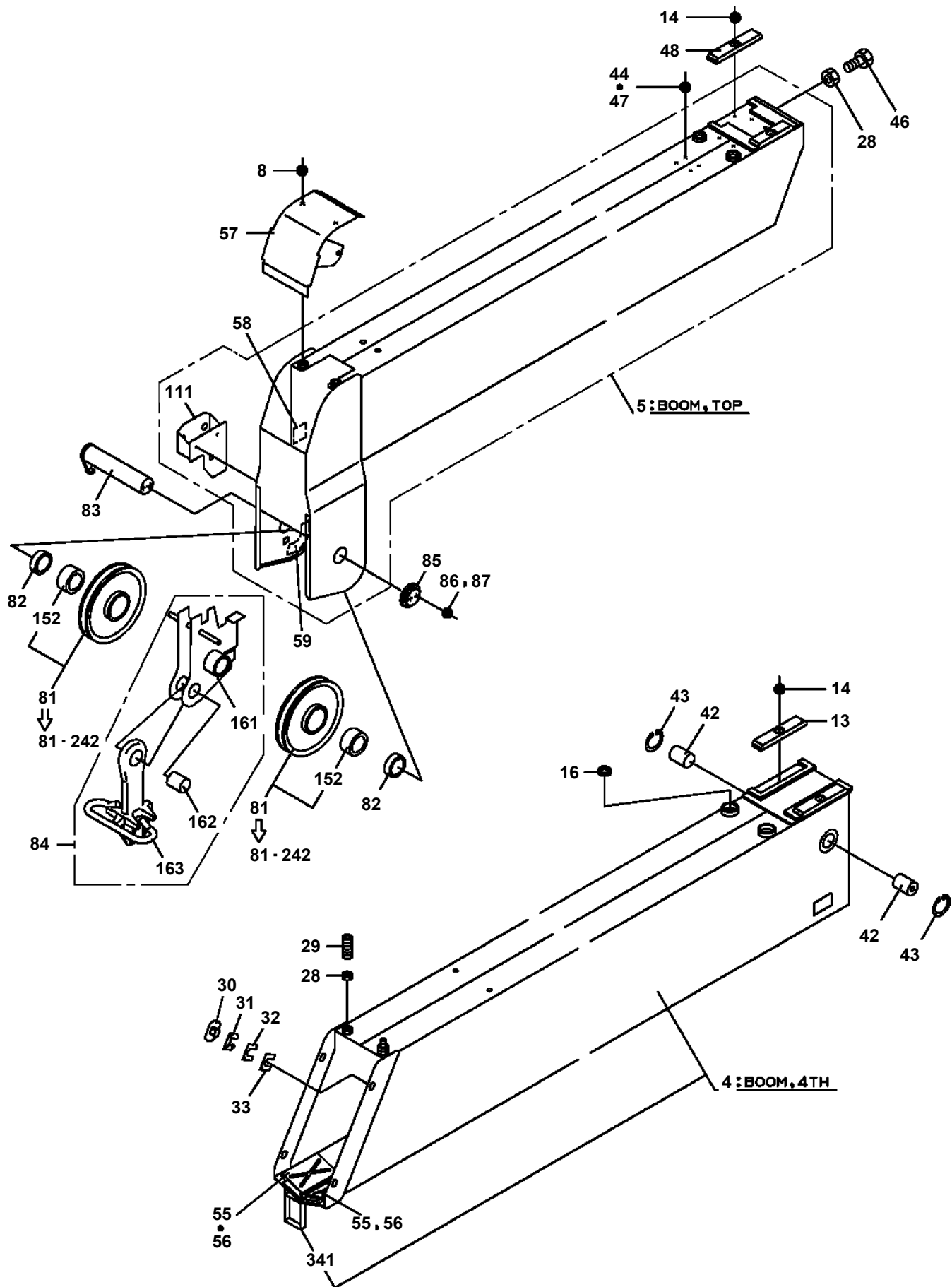
- Thank you very much for reading the preview of the manual.
- You can download the complete manual from: www.heydownloads.com by clicking the link below



- Please note: If there is no response to CLICKING the link, please download this PDF first and then click on it.

CLICK HERE TO **DOWNLOAD** THE COMPLETE MANUAL

TM-ZR300 31014020240 BOOM/5 SECT.,S-HOOK-IN
PG1010713-05 BOOM (5 SECT.,HOOK-IN)



TM-ZR300 31014020240 BOOM/5 SECT.,S-HOOK-IN

Pos No.	Parts No	Parts Name	Qty	Unit	Technical Data	Serial No (Start)	Serial No (End)
56	80640100160	RING,RITAINING	1		IRTW-16		DE2856
	80602110200	RING,RITAINING	1		R20	DE2857	
57	91100401200	SEAL	1		IRTW-16		DD2554
	36016030350	SEAL	1			DD2555	DE2856
	36016030351	SEAL	1			DE2857	
60	91002802500	O-RING	1		1B P25		DE2856
	91002802500	O-RING	1		1B P25		DD2554
	91002802500	O-RING	1		1B P25	DD2555	DE2856
	91002802500	O-RING	1		1B P25	DE2857	
61	91350205000	BEARING,PLAIN (WITH PACKINGX2)	1				DD2554
	91350205000	BEARING,PLAIN (WITH PACKINGX2)	1				DE2856
	91350205000	BEARING,PLAIN (WITH PACKINGX2)	1			DD2555	DE2856
	91350205000	BEARING,PLAIN (WITH PACKINGX2)	1			DE2857	
62	36016050200	PISTON	1				DE2856
	36016050300	PISTON	1			DE2857	
63	36016051000	CYLINDER	1				
64	36016052000	ROD	1				
65	91002803200	O-RING	1		1B P32		
66	36013923000	ROD	1				
67	36013924500	COVER,ROD	1				
68	91002904500	O-RING	1		1B G45		DD2554
	91002904500	O-RING	1		1B G45		DE2856
	91002904500	O-RING	1		1B G45	DD2555	DE2856
	91002904500	O-RING	1		1B G45	DE2857	
69	91301104000	BEARING,PLAIN	1				DD2554
	91301104000	BEARING,PLAIN	1				DE2856
	91301104000	BEARING,PLAIN	1			DD2555	DE2856
	91301104000	BEARING,PLAIN	1			DE2857	
70	91694004000	PACKING	2				DD2554
	91694004000	PACKING	2				DE2856
	91694004000	PACKING	2			DD2555	DE2856
	91694004000	PACKING	2			DE2857	
71	91410204001	RING,BACKUP	2				DE2856
	91410204001	RING,BACKUP	2				DD2554
	91410204001	RING,BACKUP	2			DD2555	DE2856
	91410204001	RING,BACKUP	2			DE2857	
73	91660004001	SEAL,DUST	2				DE2856
	91660004001	SEAL,DUST	2				DD2554
	91660004001	SEAL,DUST	2			DD2555	DE2856
	91660004001	SEAL,DUST	2			DE2857	
74	36011671000	VALVE,CHECK	1				
75	91001103500	O-RING	1		1A P35		
76	91002905000	O-RING	1		1B G50		
78	36013926000	COVER,ROD	1				
79	91001103800	O-RING	1		1A P38		DE2856
	91001103800	O-RING	1		1A P38	DD5715	
80	36011672000	VALVE ASSY,CHECK	1				DE2856
	36011672000	VALVE ASSY,CHECK	1			DD5715	
81	91350206000	BEARING,PLAIN (WITH PACKINGX2)	1				DE2856
	91350206000	BEARING,PLAIN (WITH PACKINGX2)	1			DD5715	
82	36624620000	VALVE,CHECK	2				DE3537
	36625270000	VALVE,CHECK	1			DD5715	
	36624620000	VALVE,CHECK	2			DE2857	DE3537
	36625270000	VALVE,CHECK	1			DE3538	
83	36010060340	STOPPER	4				DE2856
	36010060340	STOPPER	2			DD5715	
	36010060340	STOPPER	2			DE2857	
84	36014320100	PIPE	2				DE2856
	36014320100	PIPE	1			DD5715	
	36014320100	PIPE	1			DE2857	
85	36016053000	CYLINDER	1				
86	36013922500	PISTON	1				
87	37000402120	BEARING,PLAIN (WITH PACKINGX2)	2				DE2856

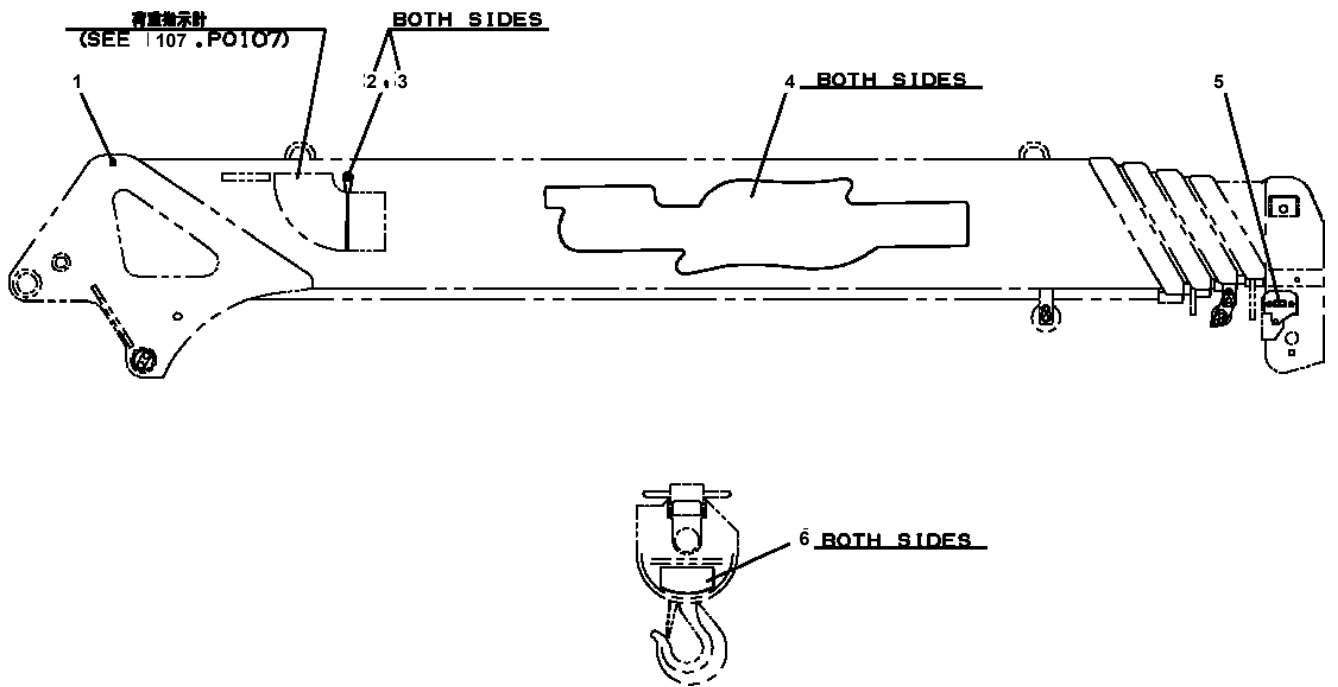
TM-ZR300 31014020240 BOOM/5 SECT.,S-HOOK-IN

Pos No.	Parts No	Parts Name	Qty	Unit	Technical Data	Serial No (Start)	Serial No (End)	Remarks	Pages
1	37000927570	JOINT	2				DA5059		
2	80481103030	JOINT	2		L,G3/8-G3/8				
3	91002801400	O-RING	4		1B P14				
21	37000928940	JOINT	2			DA5060			

TM-ZR300 31014020240 BOOM/5 SECT.,S-HOOK-IN

Pos No.	Parts No	Parts Name	Qty	Unit	Technical Data	Serial No (Start)	Serial
1	31371923500	DETECTOR,OVER WIND (CHAIN,FOR WEIGHT)	1				

TM-ZR300 31014020240 BOOM/5 SECT.,S-HOOK-IN
PO1013310-00 PLATE ASSY,NAME (BOOM/ZR300)



CLICK HERE TO **DOWNLOAD** THE COMPLETE MANUAL

- Thank you very much for reading the preview of the manual.
- You can download the complete manual from: www.heydownloads.com by clicking the link below



- Please note: If there is no response to CLICKING the link, please download this PDF first and then click on it.

CLICK HERE TO **DOWNLOAD** THE COMPLETE MANUAL