

**TM-ZR600 31104010640A FRAME/STD,MANUAL,HOOK-IN**  
PB0000239-02 SYSTEM (ZR600,EXPORT)  
ASSEMBLY

CLICK HERE TO **DOWNLOAD** THE COMPLETE MANUAL

- Thank you very much for reading the preview of the manual.
- You can download the complete manual from: [www.heydownloads.com](http://www.heydownloads.com) by clicking the link below



- Please note: If there is no response to CLICKING the link, please download this PDF first and then click on it.

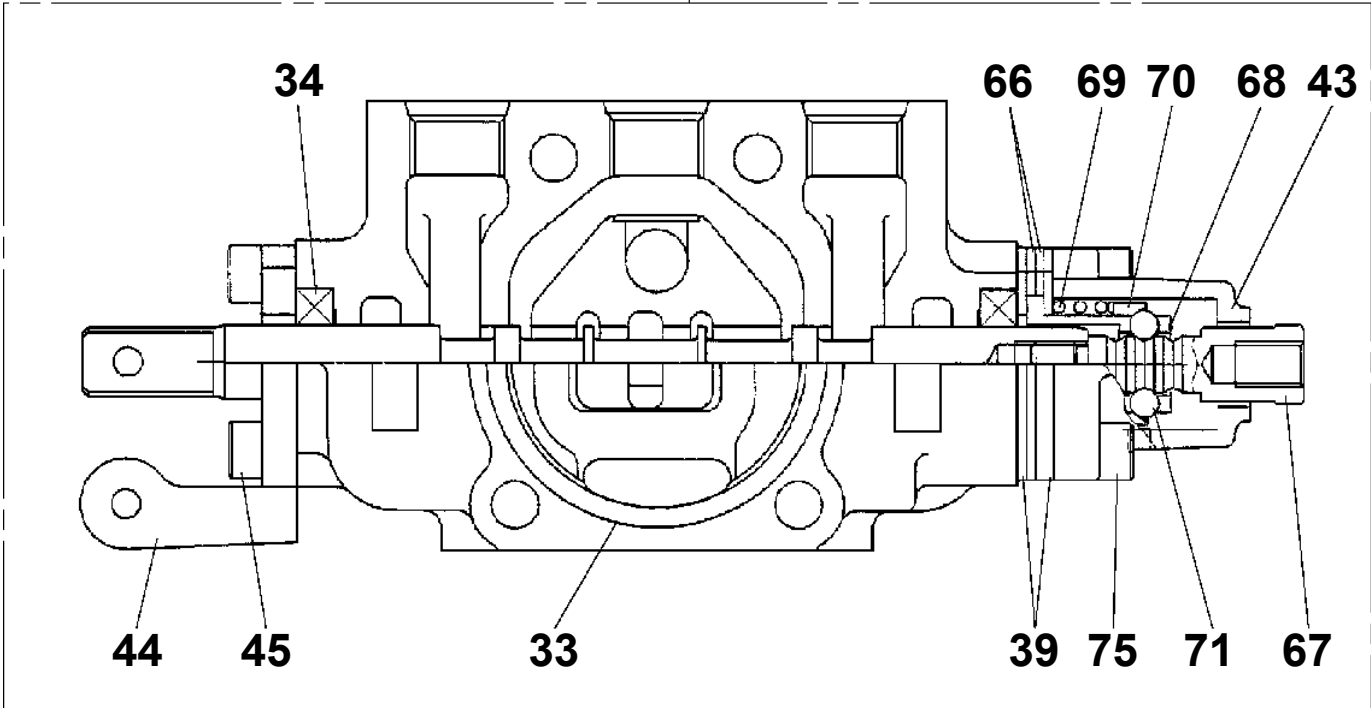
CLICK HERE TO **DOWNLOAD** THE COMPLETE MANUAL

# TM-ZR600 31104010640A FRAME/STD,MANUAL,HOOK-IN

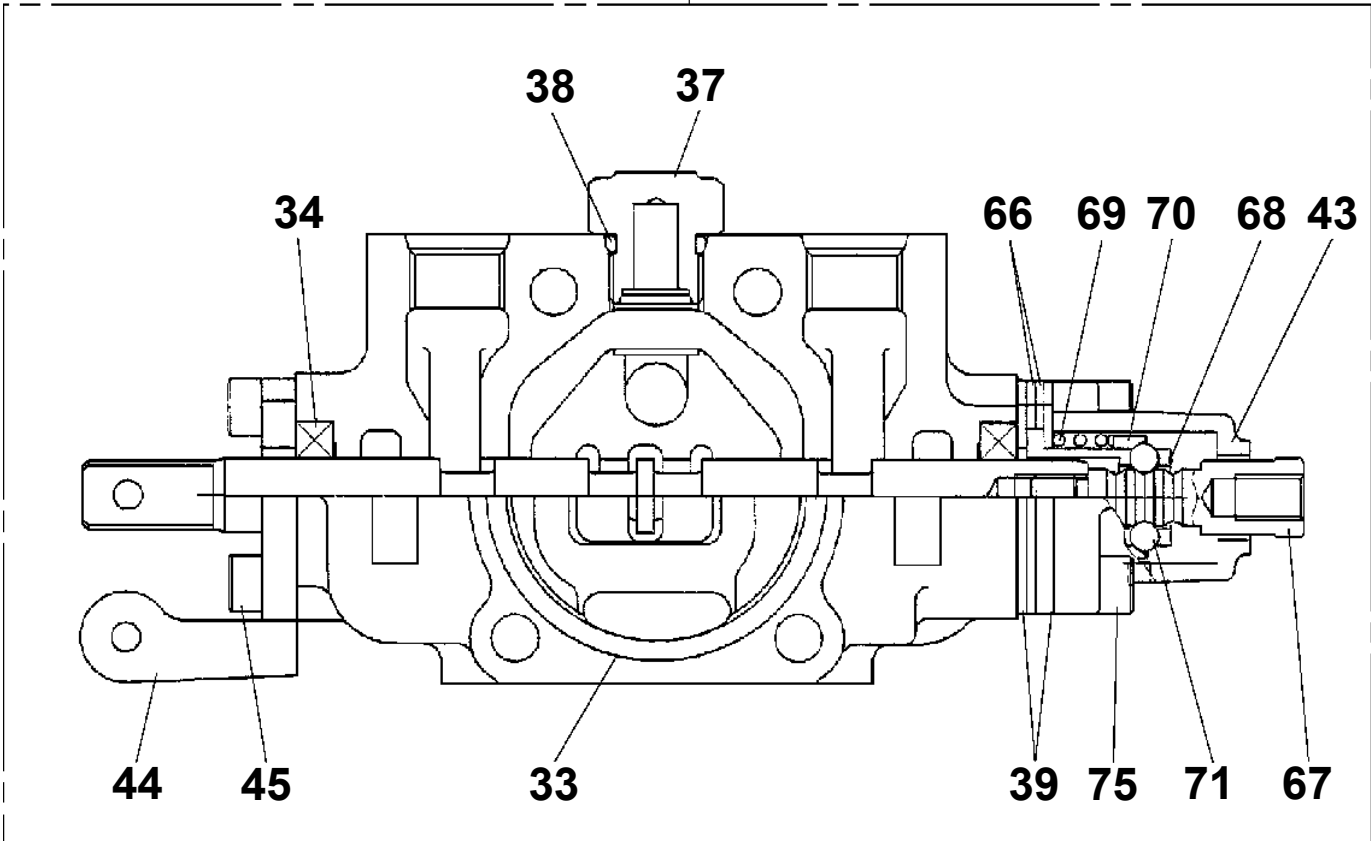
Pos No.	Parts No	Parts Name	Qty	Unit	Technical Data	Serial No (Start)	Serial No (End)	Remarks	Pages
1	90171112022	BOLT	2		M12X22				
2	90302041201	WASHER,SPRING	2		12				
3	31631381001	PLATE	1						

TM-ZR600 31104010640A FRAME/STD,MANUAL,HOOK-IN  
PB1320561-00 VALVE,MANUAL CONTROL

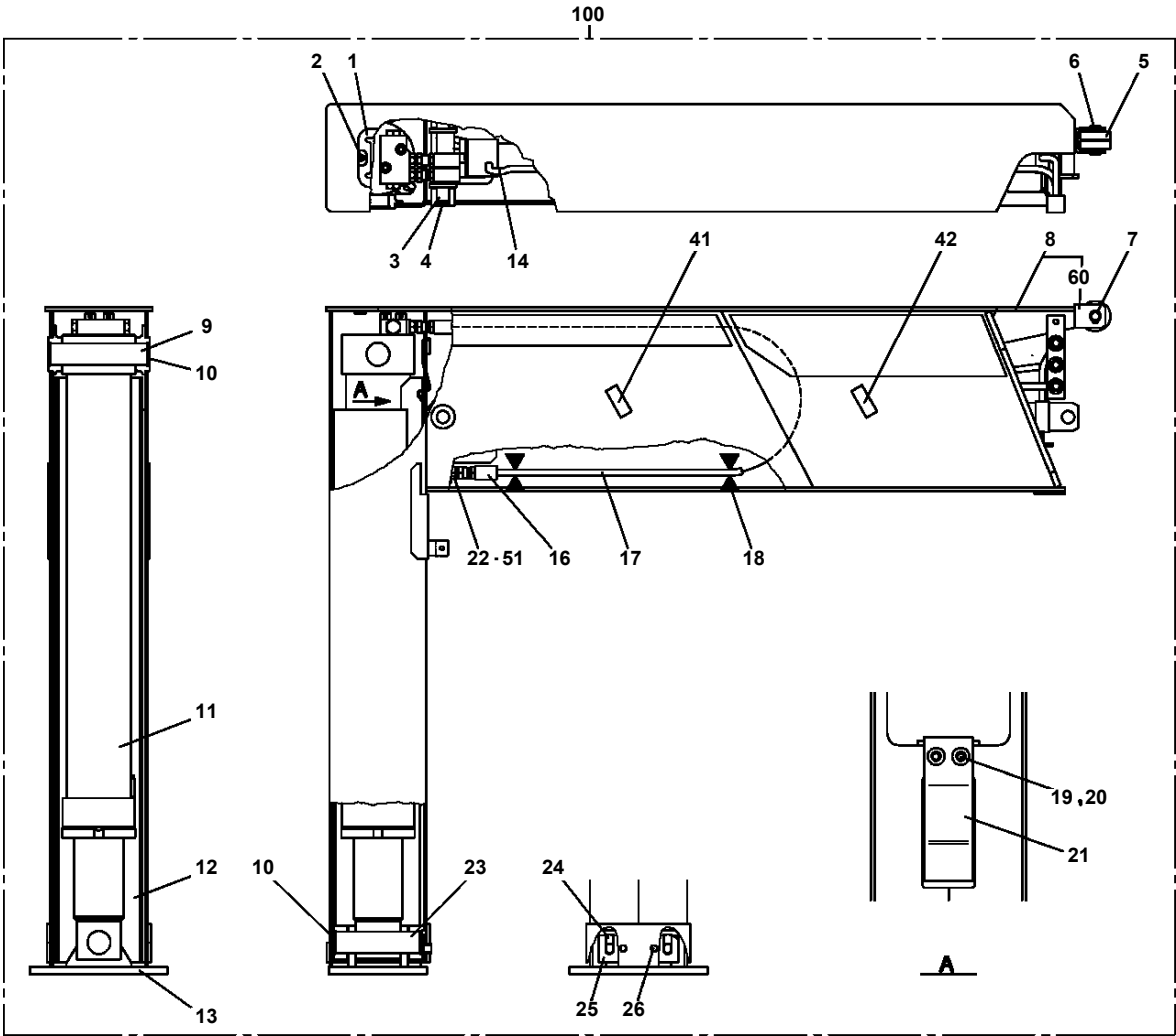
5



6



TM-ZR600 31104010640A FRAME/STD,MANUAL,HOOK-IN  
PC1010866-01 OUTRIGGER (RIGHT)



## TM-ZR600 31104010640A FRAME/STD,MANUAL,HOOK-IN

Pos No.	Parts No	Parts Name	Qty	Unit	Technical Data	Serial No (Start)	Serial No (End)	Remarks
1	90172110040	BOLT,HEXAGON SOCKET	2		M10X40			
2	36623930000	VALVE,PILOT CHECK	1					
3	36034810000	CYLINDER ASSY,JACK	1					
4	80491002020	JOINT (WITH O-RING)	2					
5	91002801000	O-RING	2		1B P10			
11	36034811000	CYLINDER	1					
12	36034813000	PISTON	1					
13	91684009500	PACKING	2					
14	91411208002	RING,BACKUP	2					
15	91002804500	O-RING	1		1B P45			
16	91411004500	RING,BACKUP	1					
17	91302309500	BEARING,PLAIN	1					
18	36034812000	ROD	1					
19	91002909000	O-RING	1		1B G90			
20	36032670200	COVER,ROD	1					
21	91694008001	PACKING	1					
22	91410208001	RING,BACKUP	1					
23	91660008001	SEAL,DUST	1					
31	91002801100	O-RING	2		1B P11			
40	36034819900	PACKING SET	1		80X95			

# TM-ZR600 31104010640A FRAME/STD,MANUAL,HOOK-IN

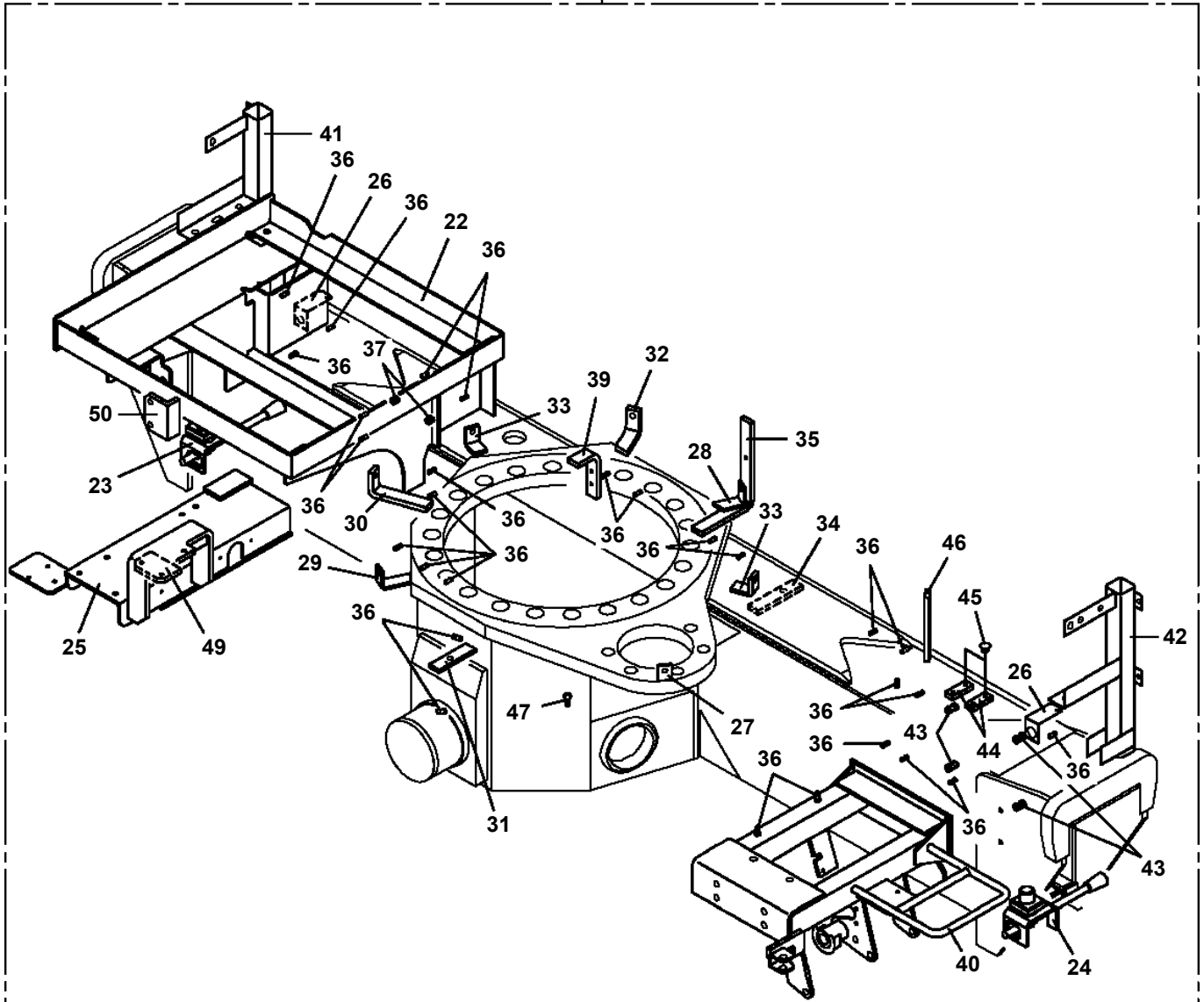
Pos No.	Parts No	Parts Name	Qty	Unit	Technical Data	Serial No (Start)	Serial No (End)
1	91660003001	SEAL,DUST	1				
2	91411203001	RING,BACKUP	3				
3	91694003000	PACKING	1				
4	91002803900	O-RING	1		1B P39		
5	36041541000	COVER,ROD	1				
6	36042951000	CYLINDER	1				
7	36042952000	ROD	1				
8	36042933000	PISTON	1				
9	91684004000	PACKING	2				
11	91002802000	O-RING	1		1B P20		
12	90201201800	NUT	1		M18		
30	36043049900	PACKING SET	1		30X40		
50	36042950000	CYLINDER,EXTENSION (REAR,LEFT)	1				

# TM-ZR600 31104010640A FRAME/STD,MANUAL,HOOK-IN

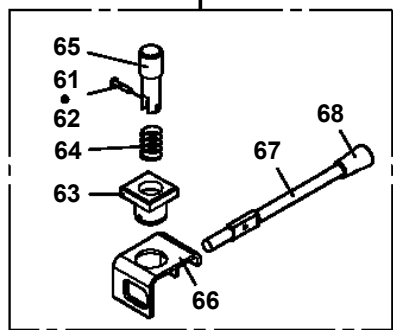
Pos No.	Parts No	Parts Name	Qty	Unit	Technical Data	Serial No (Start)	Serial No (End)	Remarks
2	36070605020	CASE,GEAR	1					
7	36070605040	FLANGE	1					
8	36070605050	GEAR,SPUR (2)	1					
12	80500006207	BEARING,BALL	1					
13	80500006205	BEARING,BALL	1					
14	80500006208	BEARING,BALL	1					
15	80500006214	BEARING,BALL	1					
16	91216070001	SEAL,OIL	1					
18	91216035001	SEAL,OIL	1					
19	90172108020	BOLT,HEXAGON SOCKET	11		M8X20			
21	90172110025	BOLT,HEXAGON SOCKET	4		M10X25			
23	80205000300	PLUG	1		PT3/8			
25	80205000100	PLUG	1		PT1/8			
26	90302040801	WASHER,SPRING	11		8			
27	90302041001	WASHER,SPRING	4		10			
37	36070605060	KEY	1					
38	36070605070	WASHER	2					
41	36070605080	PIN	2		8X25			
46	36070605090	CAP	1					
49	36070605030	GEAR,SPUR (1)	1					
81	36070605100	CASE,GEAR	1					
100	36072460000	WINCH (HARTYS)	1					

TM-ZR600 31104010640A FRAME/STD,MANUAL,HOOK-IN  
PF5100369-02 FRAME ASSY

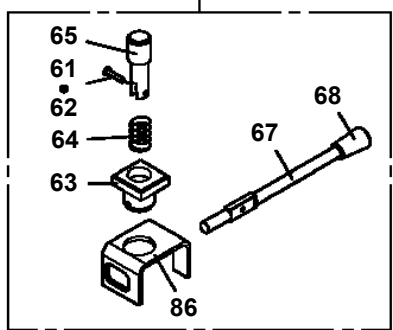
1



23



24



CLICK HERE TO **DOWNLOAD** THE COMPLETE MANUAL

- Thank you very much for reading the preview of the manual.
- You can download the complete manual from: [www.heydownloads.com](http://www.heydownloads.com) by clicking the link below



- Please note: If there is no response to CLICKING the link, please download this PDF first and then click on it.

CLICK HERE TO **DOWNLOAD** THE COMPLETE MANUAL

# TM-ZR600 31104010640A FRAME/STD,MANUAL,HOOK-IN

Pos No.	Parts No	Parts Name	Qty	Unit	Technical Data	Serial No (Start)	Serial No (End)	Re
1	80431303030	JOINT	1		PF3/8			
2	36620030010	PLUG	2		PF3/8			
3	12429111000	SPRING	2					
4	36603052000	VALVE,CHECK	2					
5	80316030020	PLUG	2		PT1/8			
7	91002801400	O-RING	3		1B P14			
50	36605670000	VALVE,PRESSURE REGULATOR	1					

# TM-ZR600 31104010640A FRAME/STD,MANUAL,HOOK-IN

Pos No.	Parts No	Parts Name	Qty	Unit	Technical Data	Serial No (Start)	Serial No (End)	Remarks	Pa
1	31631891600	BODY	1		D=132				
2	31631371101	CORE	1						
3	91531209000	PACKING	2						
4	91100309000	SEAL,RING	9						
5	31631803000	RING ASSY,SLIP	1						000
6	90180208025	BOLT,BUTTON	2		M8X25				
7	90302040801	WASHER,SPRING	6		8				
8	90102208035	BOLT	4		M8X35				
9	90303070801	WASHER,PLAIN	6		8				
10	82114203020	CONNECTOR (CAP)	1						
11	82121502020	PLATE	1						
12	82114203030	CONNECTOR (CAP)	1						
13	82121502030	PLATE	1						
14	31630855100	PLATE	1						
15	31631371030	SUPPORT	1						
16	90171110020	BOLT	4		M10X20				
17	90302041001	WASHER,SPRING	4		10				
18	31631371300	PLATE	1						
19	90171114025	BOLT	2		M14X25				
20	82100002855	CAP	2						
21	31631371400	PLATE	1						
22	31631891300	HARNESS	1						
23	31631891400	HARNESS	1						
100	31631371004	JOINT ASSY,SWIVEL	1						

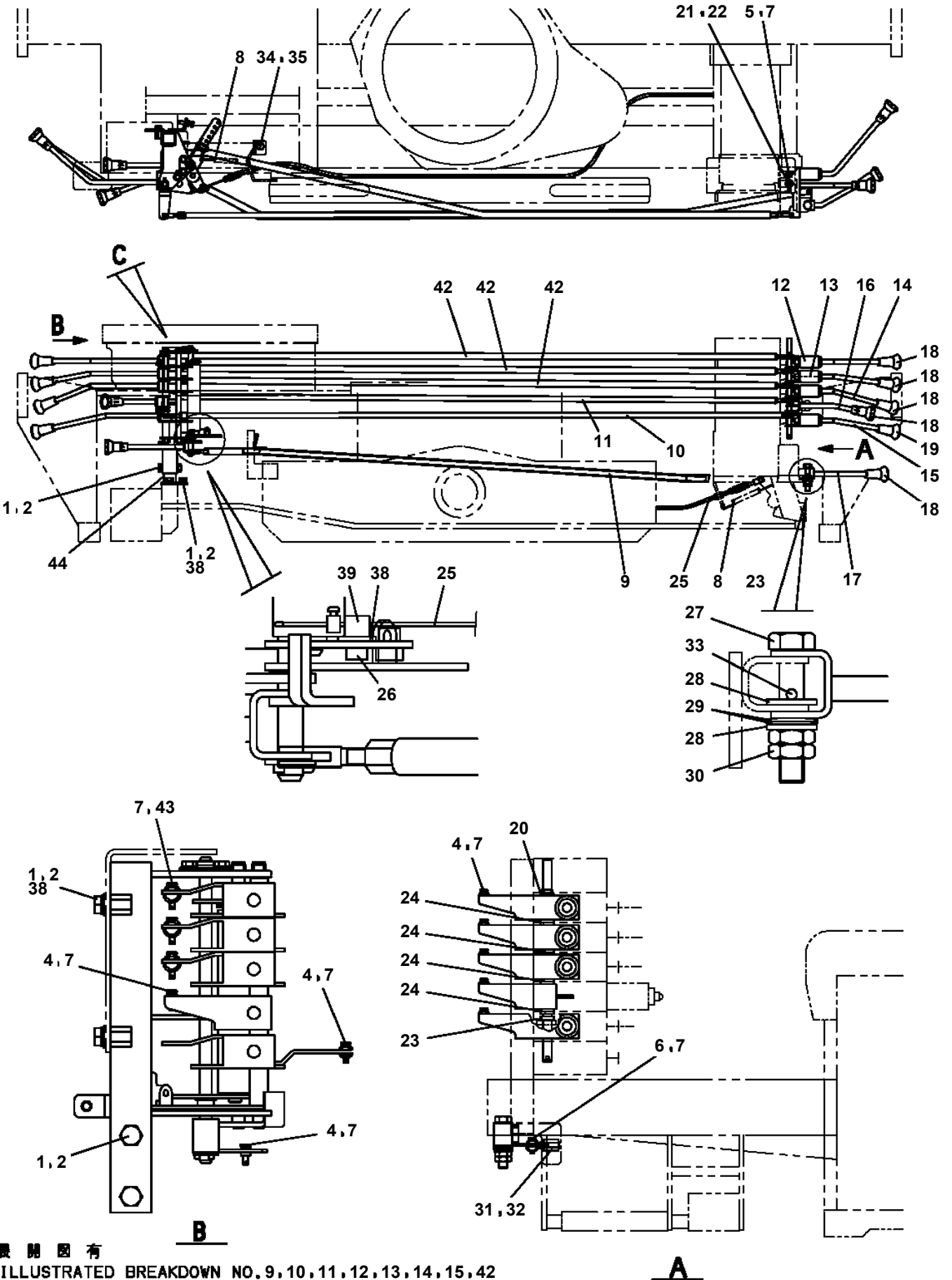
# TM-ZR600 31104010640A FRAME/STD,MANUAL,HOOK-IN

Pos No.	Parts No	Parts Name	Qty	Unit	Technical Data	Serial No (Start)	Serial No (End)	Remarks	Pages
1	31323330100	KNOB (BLACK)	4						
2	31703102200	LEVER	1						
3	31703102100	LEVER	1						
4	31703101200	ROD	2						
5	31703100200	LEVER	1						
6	31703100100	LEVER	1						
7	37000147840	PIN	6						
8	80620210050	PIN,SNAP	6						
9	11424502000	BOLT	2		M5X20				
10	90261000500	U-NUT	2		M5				
11	90203200800	NUT	2		M8				
12	31320020071	ADJUSTER	2						
13	31322224200	PLATE	2		L=1				

# TM-ZR600 31104010640A FRAME/STD,MANUAL,HOOK-IN

Pos No.	Parts No	Parts Name	Qty	Unit	Technical Data	Serial No (Start)	Serial
1	37002220400	PLATE,NAME (HYDR.OIL ISO VG46)	1				
2	14137207000	PLATE,NAME (GREASE)	5				
4	37002223170	PLATE,CAUTION	2				
5	37002229500	PLATE,CAUTION (ELECTROCUTION HAZARD.)	2				
6	37002223160	PLATE,CAUTION (OVERTURNING HAZARD)	2				
7	37002223140	PLATE,CAUTION (CRUSH HAZARD)	2				
8	31396310220	PLATE,CAUTION (WARNING/CRANE OPE)	2				
9	31396310210	PLATE,CAUTION (WARNING/OUTRIGGER)	2				
11	37002223150	PLATE,CAUTION (CRUSH HAZRRD)	2				
13	37002221820	PLATE,NAME (TELESCOPE/RET/EXT.)	1				
14	37002221830	PLATE,NAME (WINCH/UP,DOWN)	1				
15	37002221840	PLATE,NAME (ELEVATING/UP,DOWN)	1				
16	37002230200	PLATE,NAME (WINCH SPEED/LO-HI)	1				
17	37002221850	PLATE,NAME (SWING/RIGHT,LEFT)	2				
18	37002221940	PLATE,NAME (ACCEL./LOCK,LO HI)	1				
21	37002224310	PLATE,NAME (EXTENSION/JACK)	1				
22	37002224320	PLATE,NAME (EXTENSION/JACK)	1				
23	37002224330	PLATE,NAME (RET./EXT.)	2				
24	37002225530	PLATE,NAME (STOW)	1				
26	37002218110	PLATE,NAME (LOCK)	1				
27	37002218100	PLATE,NAME (LOCK)	1				
28	37002200320	PLATE,NAME	1				
29	37002221970	PLATE,NAME (BOOM STOWING)	1				
30	37002221890	PLATE,NAME (TELESCOPE/EXT/RET)	1				
31	37002221900	PLATE,NAME (WINCH/DOWN,UP)	1				
32	37002221910	PLATE,NAME (ELEVATING/DOWN,UP)	1				
33	37002230210	PLATE,NAME (WINCH SPEED/HI-LO)	1				
34	37002221880	PLATE,NAME (ACCEL./HI LO,LOCK)	1				
37	37002224340	PLATE,NAME (R/EXTENSION/JACK)	1				
38	37002224350	PLATE,NAME (EXTENSION/JACK)	1				
39	31490470230	PLATE,CAUTION (EMERGENCY CRANE )	1				
41	31492960210	PLATE,CAUTION (TO LOCK THE ACCE)	2				
42	37002225520	PLATE,NAME (STOW)	1				
43	31490470220	PLATE,NAME (HORN-OVER WIND)	2				

TM-ZR600 31104010640A FRAME/STD,MANUAL,HOOK-IN  
 PO5080223-00 OPE.ASSY,CONT.VALVE (CRANE)



展開図有  
 ILLUSTRATED BREAKDOWN NO. 9,10,11,12,13,14,15,42

# TM-ZR600 31104010640A FRAME/STD,MANUAL,HOOK-IN

Pos No.	Parts No	Parts Name	Qty	Unit	Technical Data	Serial No (Start)	Serial No (End)
2	90171118040	BOLT	4		M18X40		
3	90302041801	WASHER,SPRING	4		18		
4	31200713400	SHIM	2		T=0.6		
5	31612861500	CASE	1				
6	37002471120	HOSE	2		L=1070		
7	37000153180	PIN	1				
8	80602110200	RING,RITAINING	2		R20		
9	80400160127	JOINT	2				
10	91002801100	O-RING	2		1B P11		
11	91810130240	FASTENER	5				
12	82100001412	TUBE,SPIRAL	2	M	SE-12BK		
13	36042960000	CYLINDER,EXTENSION (REAR,RIGHT)	1				
14	31620582020	BEARING,BALL (KOYO)	1				
15	37000310360	SPACER	1		L=15		
16	80601110150	RING,RITAINING	2		15		
17	37000150360	PIN	1				
31	31612872400	CASE	1				
32	80602110300	RING,RITAINING	2		R30		
33	37000146990	PIN	2				
34	(*****)	CYLINDER,JACK (REAR)	1				
35	31612863000	CASE,INNER	1				
36	31610810600	FLOAT	1				
37	31612502001	COVER	1				
38	80189305008	SCREW,MACHINE	2		M5X8		
39	31612863400	SUPPORT	1				
40	37003100030	GRIP	1				
41	37001200720	SPRING	1				
42	31621340200	PIN	1				
43	31612862800	PLATE	1				
44	90172112030	BOLT,HEXAGON SOCKET	6		M12X30		
45	80602110350	RING,RITAINING	2		R35		
46	37000150760	PIN	1				
48	80302090101	FITTING	3		KCO10-020N		
49	91002801100	O-RING	7		1B P11		
50	80430620400	JOINT	2				
51	82456101000	NIPPLE,GREASE	1		A-PT1/8		
53	31201770100	PLATE,SLIDE	2		T=3.0		
54	31612502100	PLATE	1				
55	90186206010	BOLT,FLANGE	2		M6X10		
56	90302401201	WASHER,SPRING (12)	6				
58	37000924180	JOINT	1				
59	37000925940	JOINT	1				
60	80303130101	FITTING,ELBOW	1		KLO10-020E		
61	81408000120	PIPE,STEEL	1	M	10X1.5T		
62	81408000120	PIPE,STEEL	1	M	10X1.5T		
78	31612869510	SUPPORT	1				
81	91002801100	O-RING	3		1B P11		

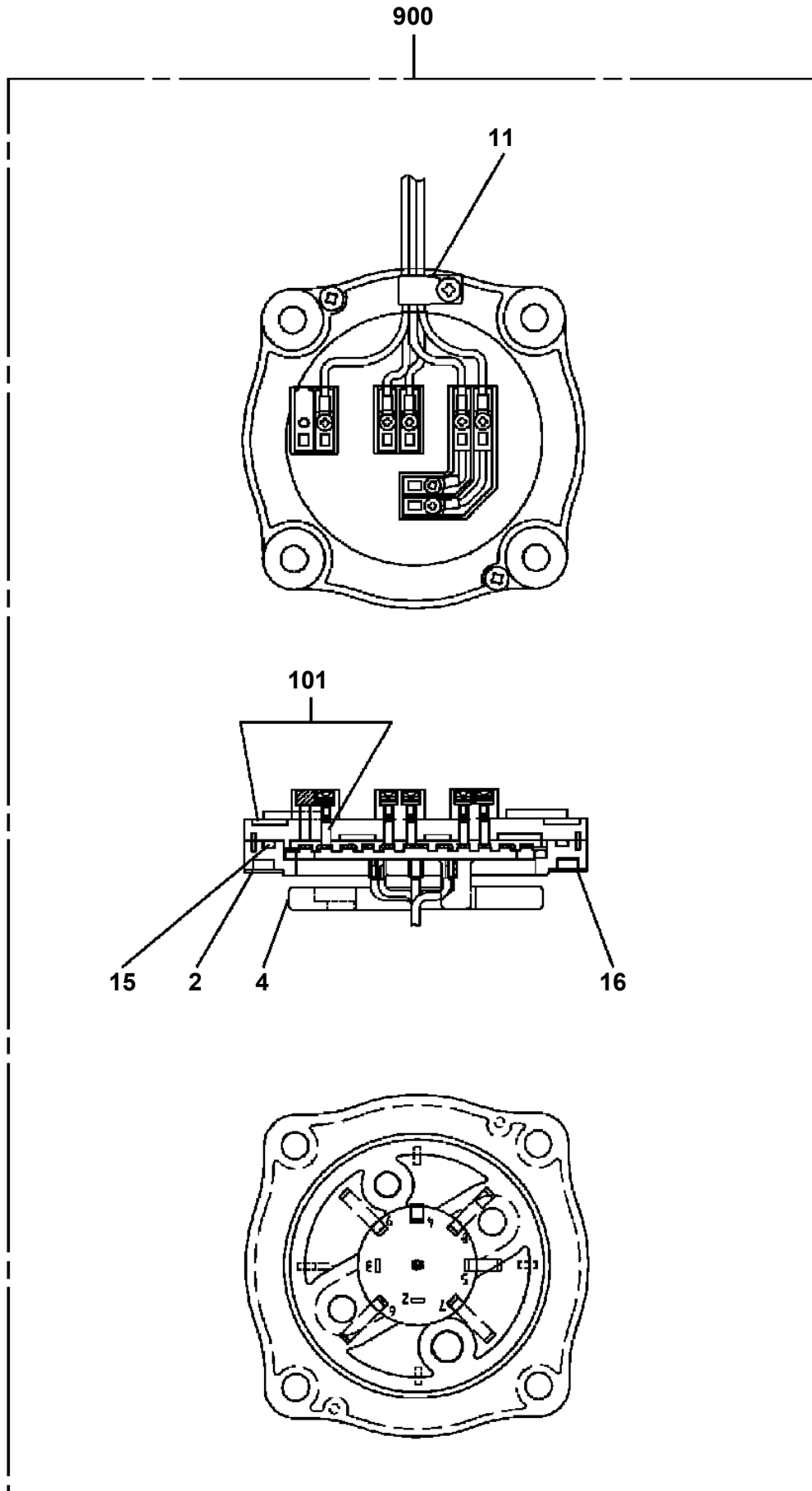
# TM-ZR600 31104010640A FRAME/STD,MANUAL,HOOK-IN

Pos No.	Parts No	Parts Name	Qty	Unit	Technical Data	Serial No (Start)	Serial
1	(*****)	OUTRIGGER,REAR (LEFT/HIGH TRUCK BED)	1				
2	31612861000	CASE,OUTER	1				
3	(*****)	OUTRIGGER,REAR (RIGHT/HIGH TRUCK BED)	1				
4	31612863602	SUPPORT	2				
5	90186208014	BOLT,FLANGE	4		M8X14		
6	19114207000	KNOB (BLACK)	2				
7	31620590110	LEVER	2				
9	80601110200	RING,RITAINING	2		S20		
10	37000153250	PIN	1				
11	37000130970	PIN	2		L=24		
12	80136320010	PIN,SPLIT	2		2X10		
13	37001200720	SPRING	2				
14	31620590100	PIN	2				
15	90186208010	BOLT,FLANGE	8		M8X10		
16	31621962100	SUPPORT	4				
17	31621962200	PLATE	N		T=0.5		
18	37000161010	PIN	2				
19	31620582020	BEARING,BALL (KOYO)	4				
20	37000309980	SPACER	2		L=60		
22	90710710400	SCREW,SET	2		M10X40		
23	90201201000	NUT	2		M10		
41	31621340300	SUPPORT	2				
42	90171116050	BOLT	8		M16X50		
43	90202781600	NUT	16		M16		
45	37000539370	PLATE	2				
100	31612860001	OUTRIGGER ASSY,REAR (HIGH TRUCK BED)	1				

# TM-ZR600 31104010640A FRAME/STD,MANUAL,HOOK-IN

Pos No.	Parts No	Parts Name	Qty	Unit	Technical Data	Serial No (Start)	Serial No (End)	Remarks
20	36652595010	SEAL KIT	1					
30	36652940000	PUMP,OIL (32CC,32CC:R)	1					

TM-ZR600 31104010640A FRAME/STD,MANUAL,HOOK-IN  
PR5130002-00 RING ASSY,SLIP



CLICK HERE TO **DOWNLOAD** THE COMPLETE MANUAL

- Thank you very much for reading the preview of the manual.
- You can download the complete manual from: [www.heydownloads.com](http://www.heydownloads.com) by clicking the link below



- Please note: If there is no response to CLICKING the link, please download this PDF first and then click on it.

CLICK HERE TO **DOWNLOAD** THE COMPLETE MANUAL