

TM-ZR600 31104010490A FRAME/STD,MANUAL,HOOK-IN
PB0000205-01 SYSTEM (ZR600,DOMESTIC)
ASSEMBLY

CLICK HERE TO **DOWNLOAD** THE COMPLETE MANUAL

- Thank you very much for reading the preview of the manual.
- You can download the complete manual from: www.heydownloads.com by clicking the link below

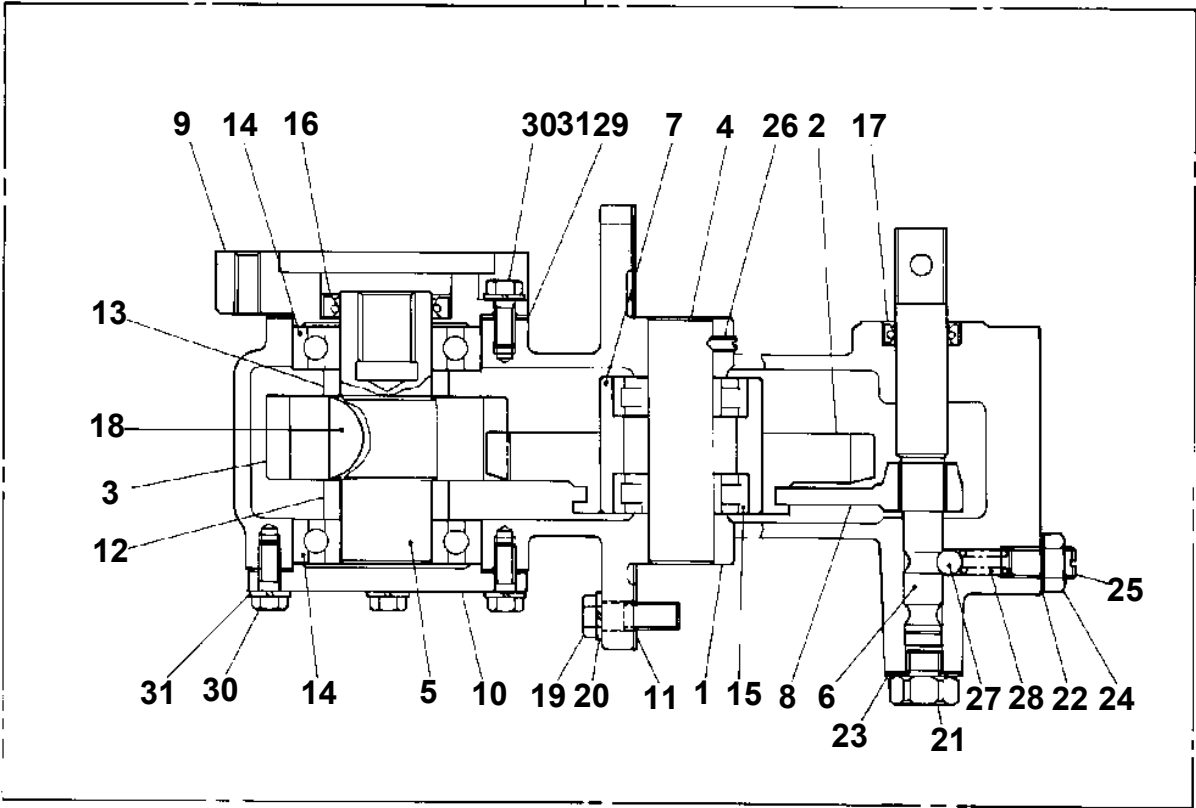


- Please note: If there is no response to CLICKING the link, please download this PDF first and then click on it.

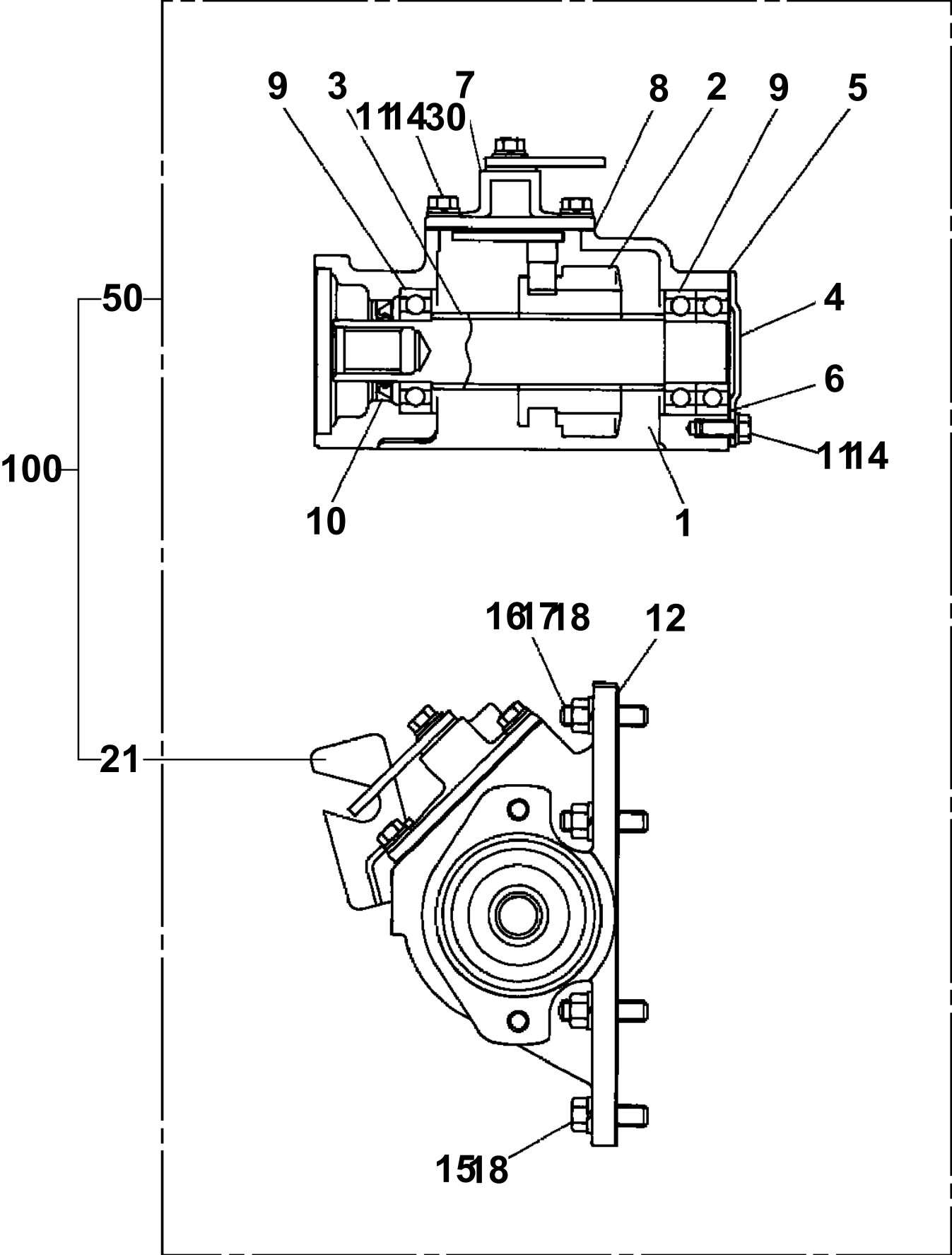
CLICK HERE TO **DOWNLOAD** THE COMPLETE MANUAL

TM-ZR600 31104010490A FRAME/STD,MANUAL,HOOK-IN
PB1030034-00 POWER TAKE OFF

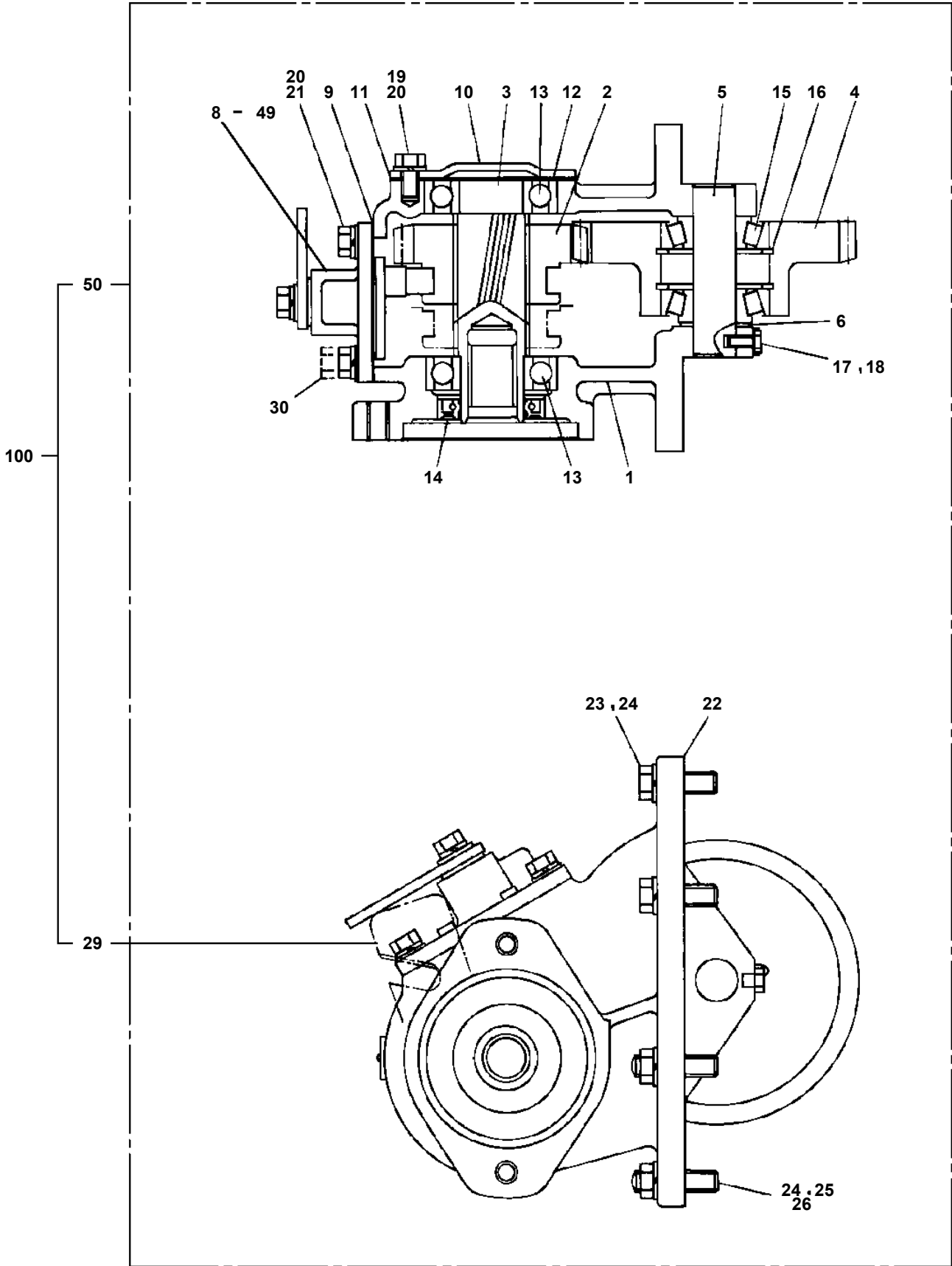
50



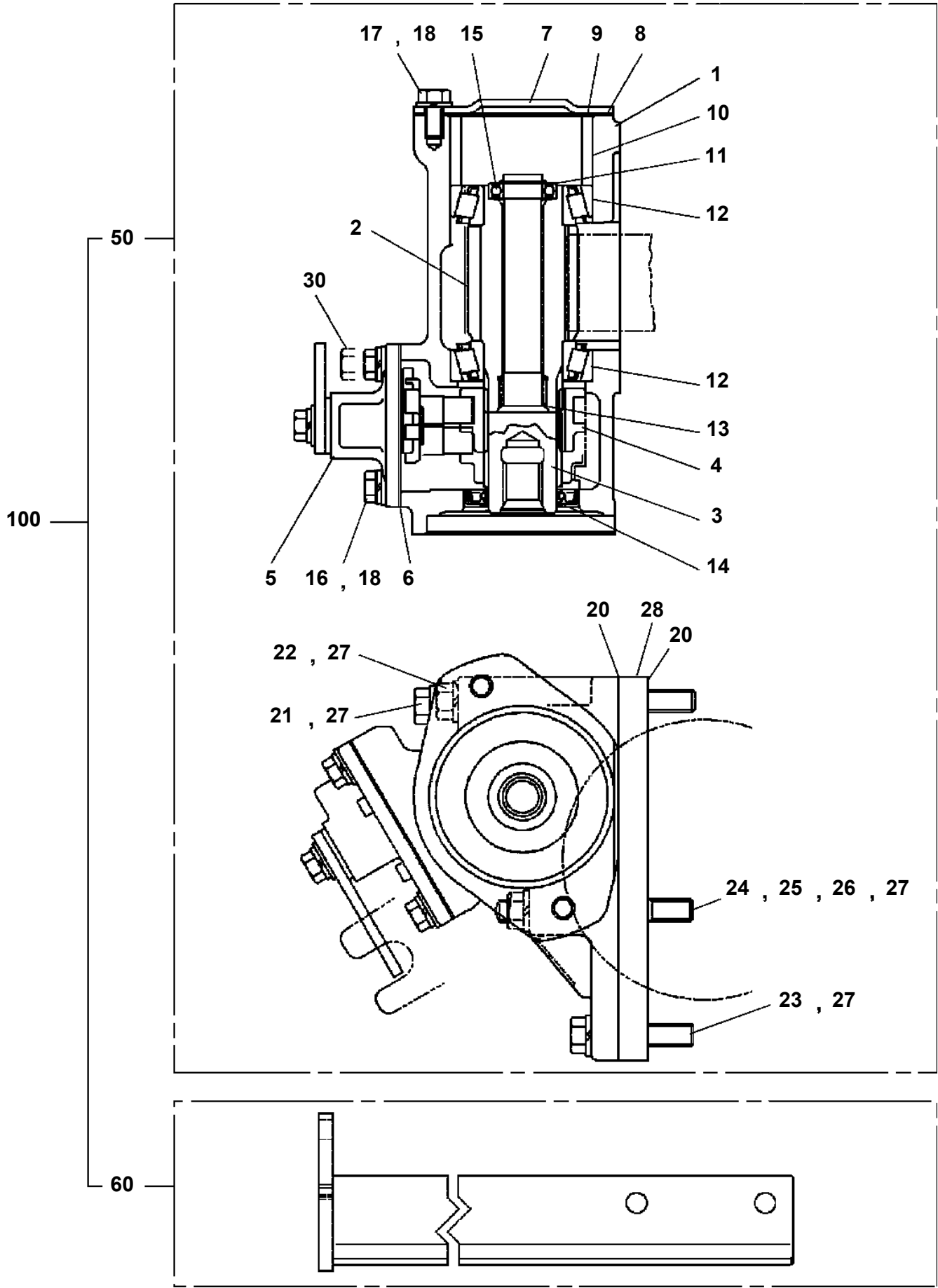
TM-ZR600 31104010490A FRAME/STD,MANUAL,HOOK-IN
PB1030117-01 POWER TAKE OFF



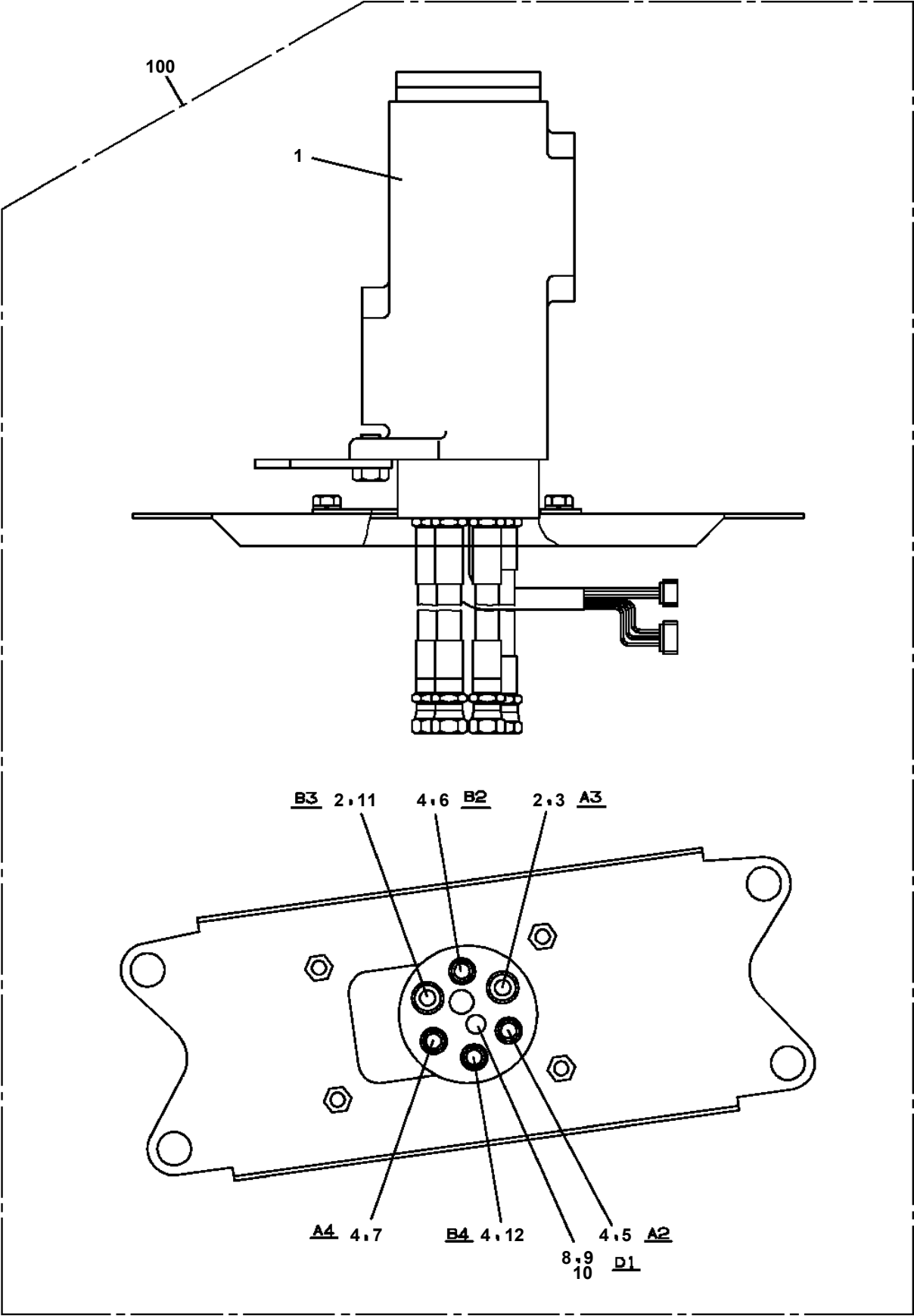
TM-ZR600 31104010490A FRAME/STD,MANUAL,HOOK-IN
PB1030145-03 POWER TAKE OFF



TM-ZR600 31104010490A FRAME/STD,MANUAL,HOOK-IN
PB1030235-01 POWER TAKE OFF

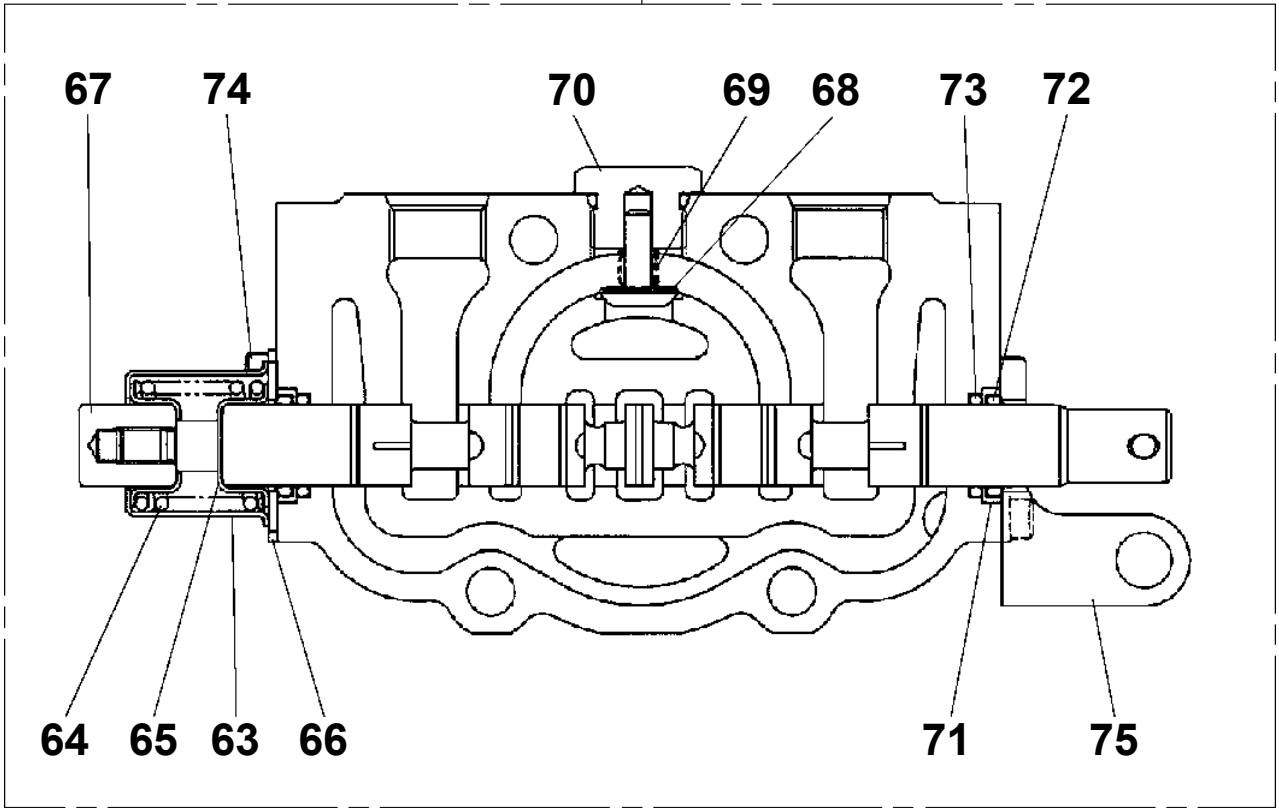


TM-ZR600 31104010490A FRAME/STD,MANUAL,HOOK-IN
PB1300359-00 JOINT,ROTARY

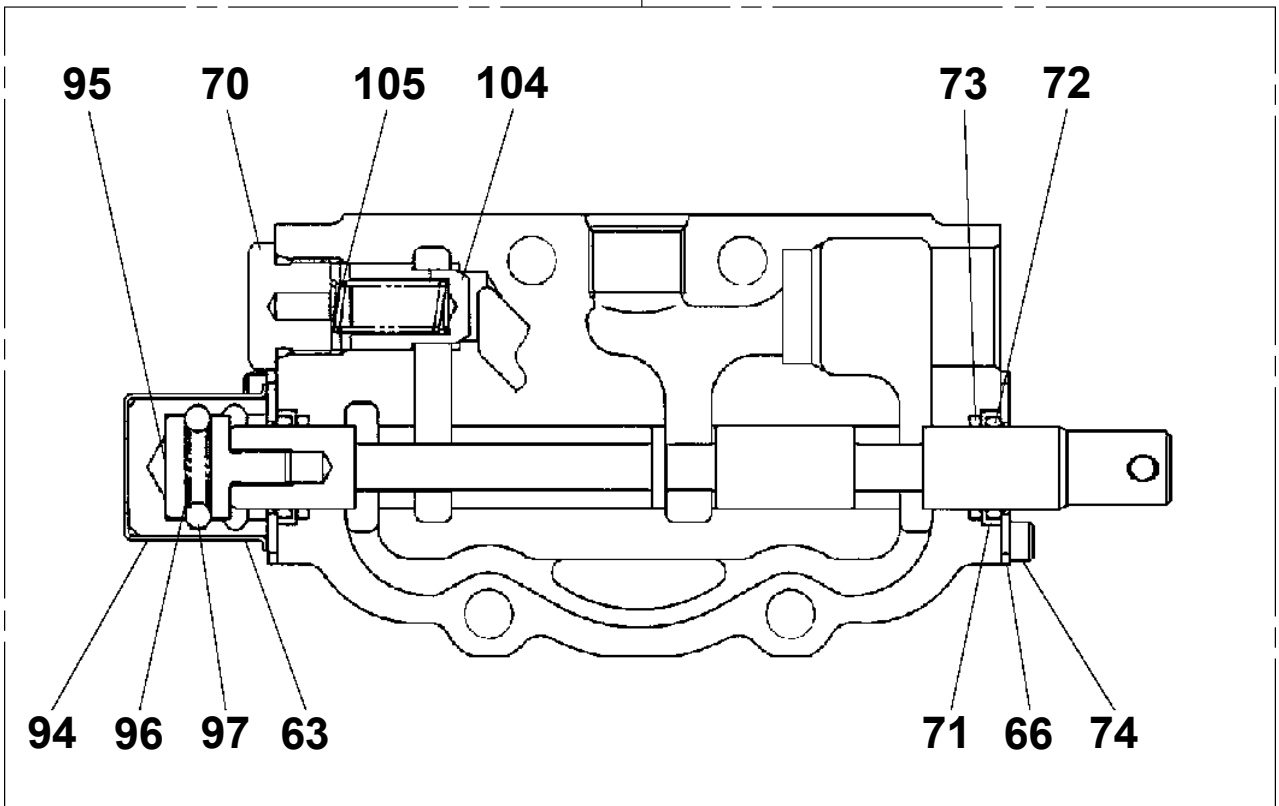


TM-ZR600 31104010490A FRAME/STD,MANUAL,HOOK-IN
PB1320554-00 VALVE,MANUAL CONTROL (MAIN)

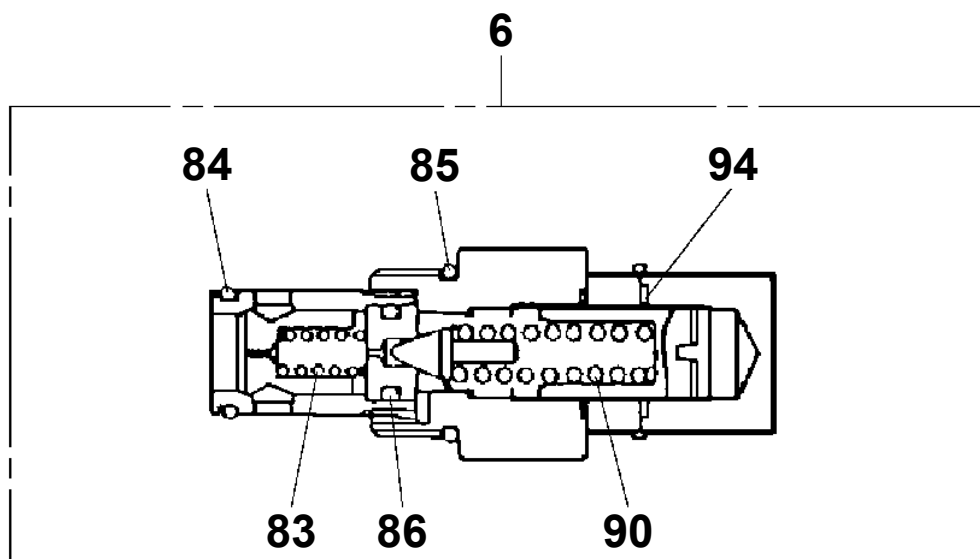
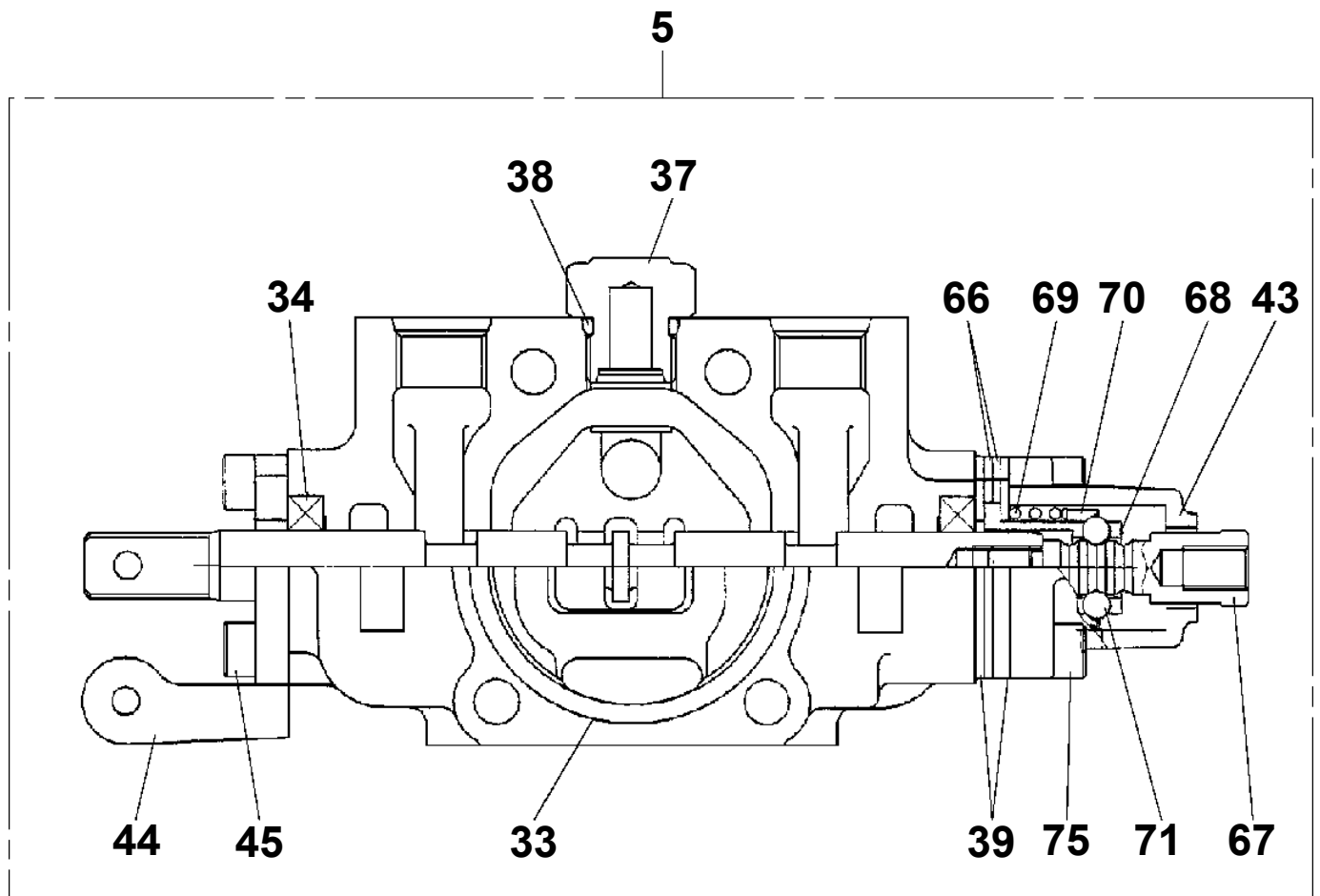
4



5



TM-ZR600 31104010490A FRAME/STD,MANUAL,HOOK-IN
PB1320562-00 VALVE,MANUAL CONTROL



TM-ZR600 31104010490A FRAME/STD,MANUAL,HOOK-IN

Pos No.	Parts No	Parts Name	Qty	Unit	Technical Data	Serial No (Start)	Serial No (End)
1	(*****)	POWER TAKE OFF ASSY (SELECTION)	1				
2	(*****)	PUMP ASSY (SELECTION)	1				

TM-ZR600 31104010490A FRAME/STD,MANUAL,HOOK-IN

Pos No.	Parts No	Parts Name	Qty	Unit	Technical Data	Serial No (Start)	Serial No (End)	Rem
1	31612502000	COVER	1					
2	80189305008	SCREW,MACHINE	1		M5X8			
3	37000153180	PIN	1					
4	80602110200	RING,RITAINING	2		R20			
5	31620582020	BEARING,BALL (KOYO)	2					
6	37000150360	PIN	1					
7	80601110150	RING,RITAINING	2		15			
8	31612831000	CASE,OUTER	1					
9	37000178580	PIN	1					
10	80602110350	RING,RITAINING	4		R35			
11	(*****)	CYLINDER,JACK	1					
12	31612832000	CASE,INNER	1					
13	31611643000	FLOAT	1					
14	36042940000	CYLINDER,EXTENSION (RIGHT)	1					
16	37002465220	HOSE	2		L=1260			
17	82100001412	TUBE,SPIRAL	1	M	SE-12BK			
18	91810130240	FASTENER	4					
19	90180208016	BOLT,BUTTON	2		M8X16			
20	90302040801	WASHER,SPRING	2		8			
21	31611640150	SPRING	1					
22	80491002020	JOINT (WITH O-RING)	2					
23	37000178570	PIN	1					
24	31201770100	PLATE,SLIDE	2		T=3.0			
25	31612832100	PLATE	1					
26	90186206010	BOLT,FLANGE	2		M6X10			
41	31611300600	PLATE,NAME (YELLOW)	2					
42	31611300500	PLATE,NAME (WHITE)	2					
51	91002801100	O-RING	2		1B P11			
60	31612839510	SUPPORT	1					
100	31612830200	OUTRIGGER (RIGHT)	1					

TM-ZR600 31104010490A FRAME/STD,MANUAL,HOOK-IN

Pos No.	Parts No	Parts Name	Qty	Unit	Technical Data	Serial No (Start)	Serial No (End)
2	90171118040	BOLT	4		M18X40		
3	90302041801	WASHER,SPRING	4		18		
4	31200713400	SHIM	2		T=0.6		
5	31612861500	CASE	1				
6	37002471120	HOSE	2		L=1070		
7	37000153180	PIN	1				
8	80602110200	RING,RITAINING	2		R20		
9	80400160127	JOINT	2				
10	91002801100	O-RING	2		1B P11		
11	91810130240	FASTENER	5				
12	82100001412	TUBE,SPIRAL	1	M	SE-12BK		
13	36042960000	CYLINDER,EXTENSION (REAR,RIGHT)	1				
14	31620582020	BEARING,BALL (KOYO)	1				
15	37000310360	SPACER	1		L=15		
16	80601110150	RING,RITAINING	2		15		
17	37000150360	PIN	1				
31	31612862400	CASE	1				
32	80602110300	RING,RITAINING	2		R30		
33	37000146990	PIN	2				
34	(*****)	CYLINDER,JACK (REAR)	1				
35	31612863000	CASE,INNER	1				
36	31610810600	FLOAT	1				
37	31612502001	COVER	1				
38	80189305008	SCREW,MACHINE	2		M5X8		
39	31612863400	SUPPORT	1				
40	37003100030	GRIP	1				
41	37001200720	SPRING	1				
42	31621340200	PIN	1				
43	31612862800	PLATE	1				
44	90172112030	BOLT,HEXAGON SOCKET	6		M12X30		
45	80602110350	RING,RITAINING	2		R35		
46	37000150760	PIN	1				
47	81408000130	PIPE,STEEL	1	M	10X1.8T		NA0189
	81408000100	PIPE,STEEL	1	M	10X1.2T	NA0190	
48	80302090101	FITTING	4		KCO10-020N		655801
	80302090101	FITTING	3		KCO10-020N	655802	
49	91002801100	O-RING	6		1B P11		655801
	91002801100	O-RING	5		1B P11	655802	
50	80430620400	JOINT	2				
51	82456201000	NIPPLE,GREASE	1		A-TYPE PT1/8		NA0189
	82456101000	NIPPLE,GREASE	1		A-PT1/8	NA0190	
53	31201770100	PLATE,SLIDE	2		T=3.0		
54	31612502100	PLATE	1				
55	90186206010	BOLT,FLANGE	2		M6X10		
56	90302401201	WASHER,SPRING (12)	6				
57	81408000130	PIPE,STEEL	1	M	10X1.8T		NA0189
	81408000100	PIPE,STEEL	1	M	10X1.2T	NA0190	
58	37000924180	JOINT	1				
59	37000925950	JOINT	1		S,G1/4-G1/4		655801
	37000931350	JOINT	1			655802	
60	80303130101	FITTING,ELBOW	1		KLO10-020E	655802	
71	91002801100	O-RING	2		1B P11		
	91002801100	O-RING	2		1B P11		
	91002801100	O-RING	2		1B P11		
	91002801100	O-RING	1		1B P11	655802	
	91002801100	O-RING	1		1B P11	655802	
78	31612869510	SUPPORT	1				

TM-ZR600 31104010490A FRAME/STD,MANUAL,HOOK-IN

Pos No.	Parts No	Parts Name	Qty	Unit	Technical Data	Serial No (Start)	Serial No (End)	Rem
1	91660003001	SEAL,DUST	1					
2	91411203001	RING,BACKUP	3					
3	91694003000	PACKING	1					
4	91002803900	O-RING	1		1B P39			
5	36041541000	COVER,ROD	1					
6	36042941000	CYLINDER	1					
7	36042932000	ROD	1					
8	36042933000	PISTON	1					
9	91684004000	PACKING	2					
11	91002802000	O-RING	1		1B P20			
12	90201201800	NUT	1		M18			
30	36043049900	PACKING SET	1		30X40			
50	36042940000	CYLINDER,EXTENSION (RIGHT)	1					

TM-ZR600 31104010490A FRAME/STD,MANUAL,HOOK-IN

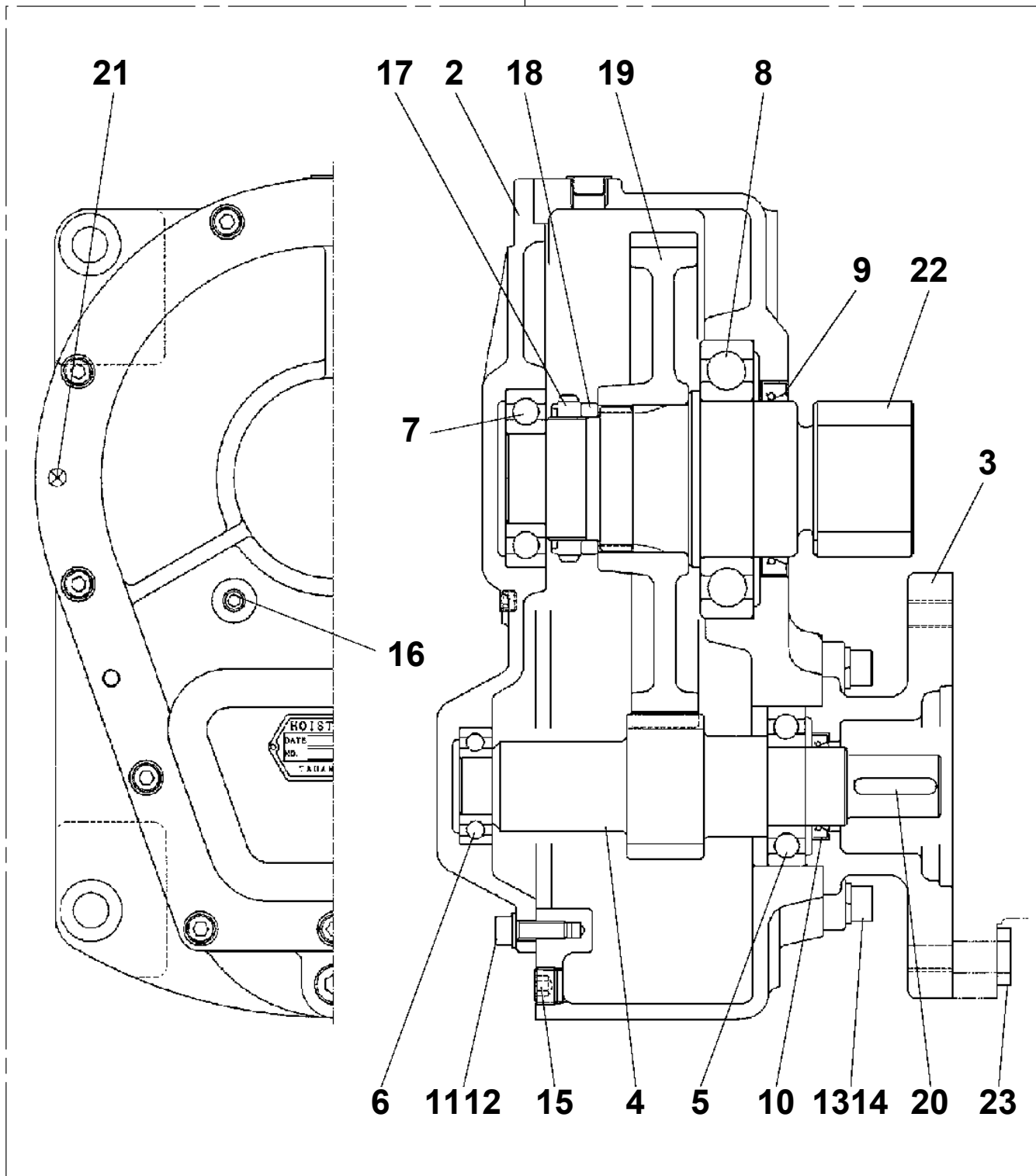
Pos No.	Parts No	Parts Name	Qty	Unit	Technical Data	Serial No (Start)	Serial No (End)	Re
1	36637910000	VALVE,MANUAL CONTROL	1					
2	90171108035	BOLT	3		M8X35			
3	90302040801	WASHER,SPRING	4		8			
4	90201780800	NUT	3		M8			
5	90201200800	NUT	1		M8			
6	90303070801	WASHER,PLAIN	1		8			
7	37005700050	CLAMP	1		18X2			
8	37000300750	SLEEVE	2		18-15			
9	90101208050	BOLT	1		M8X50			
10	91002801100	O-RING	6		1B P11			
11	80302090141	FITTING	6		KCO12-020N			
12	80305010100	FITTING,TEE	1		KTA12-000N			
13	81408000210	PIPE,STEEL	2	M	15X2.0T			
14	81408000210	PIPE,STEEL	3	M	15X2.0T			
15	81408000160	PIPE,STEEL	2	M	12X1.4T			
16	81408000160	PIPE,STEEL	2	M	12X1.4T			
17	81408000160	PIPE,STEEL	2	M	12X1.4T			
18	81408000160	PIPE,STEEL	1	M	12X1.4T			
19	81408000160	PIPE,STEEL	1	M	12X1.4T			
20	81408000160	PIPE,STEEL	2	M	12X1.4T			
21	81408000160	PIPE,STEEL	2	M	12X1.4T			
22	37000711460	CLAMP ASSY	1		12X6			
23	80481103030	JOINT	2		L,G3/8-G3/8			
24	91002801400	O-RING	19		1B P14			
25	37000926820	JOINT	1					
26	80302090161	FITTING	7		KCO12-030N			
27	80303130201	FITTING,ELBOW	2		KLO15-040E			
28	81408000160	PIPE,STEEL	1	M	12X1.4T			
29	80316070080	PLUG	1		PF1/2			
30	91002801800	O-RING	3		1B P18			
31	37000924750	JOINT	4					
32	80481103020	JOINT	2		PF3/8-PF1/4			
33	42343190700	JOINT	1					
34	80400160129	JOINT	1					
35	80430620800	JOINT	1					
36	36605670000	VALVE,PRESSURE REGULATOR	1					
37	37000924070	JOINT	1		S,G1/2-G1/2			
51	91002801800	O-RING	3		1B P18			

TM-ZR600 31104010490A FRAME/STD,MANUAL,HOOK-IN

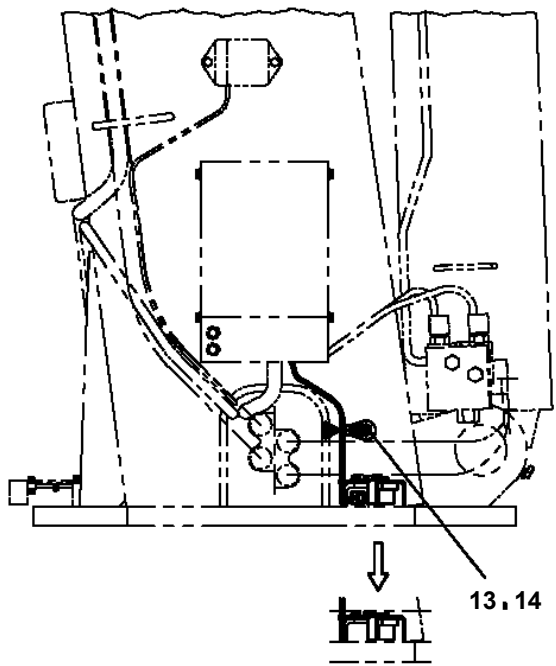
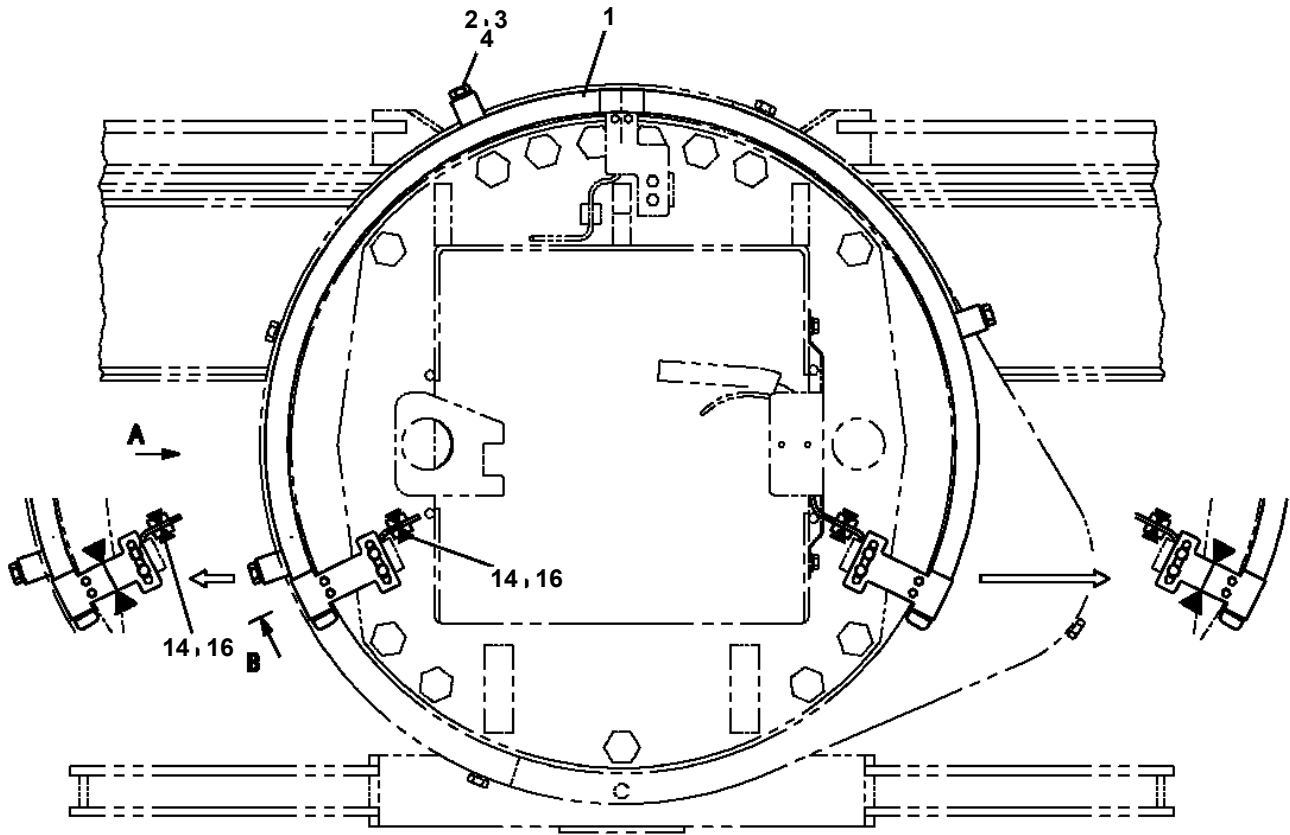
Pos No.	Parts No	Parts Name	Qty	Unit	Technical Data	Serial No (Start)	Serial No (End)	Rema
1	37002304440	BEARING,SWING	1					
2	37001500420	BOLT	13		M20X60			
3	90303502001	WASHER,PLAIN	13		20			
4	37001508990	BOLT	22		M22X85			
5	90303502201	WASHER,PLAIN	18		22			
6	82456101000	NIPPLE,GREASE	2		A-PT1/8			
7	82400000459	CAP	2					
8	36081550000	REDUCER,SWING SPEED	1					
9	91001208500	O-RING	1		1A G85			
10	90171116045	BOLT	5		M16X45			
11	90303501601	WASHER,PLAIN	5		16			
12	36662600000	MOTOR,HYDRAULIC (SWING)	1				656038	
	36663950000	MOTOR,HYDRAULIC	1			656039		
13	90172112035	BOLT,HEXAGON SOCKET	2		M12X35			
14	90302041201	WASHER,SPRING	2		12			

TM-ZR600 31104010490A FRAME/STD,MANUAL,HOOK-IN
PF1010227-00 WINCH (YG.TEC)

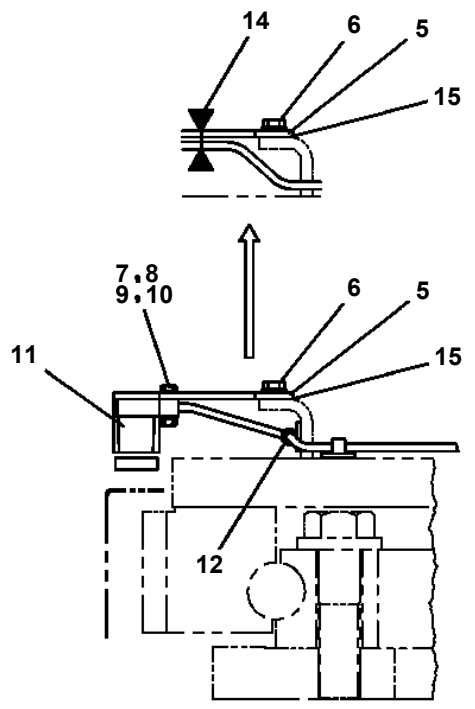
100



TM-ZR600 31104010490A FRAME/STD,MANUAL,HOOK-IN
PH1050016-01 DETECTOR,OVER SIDE AREA (SWING S/W)

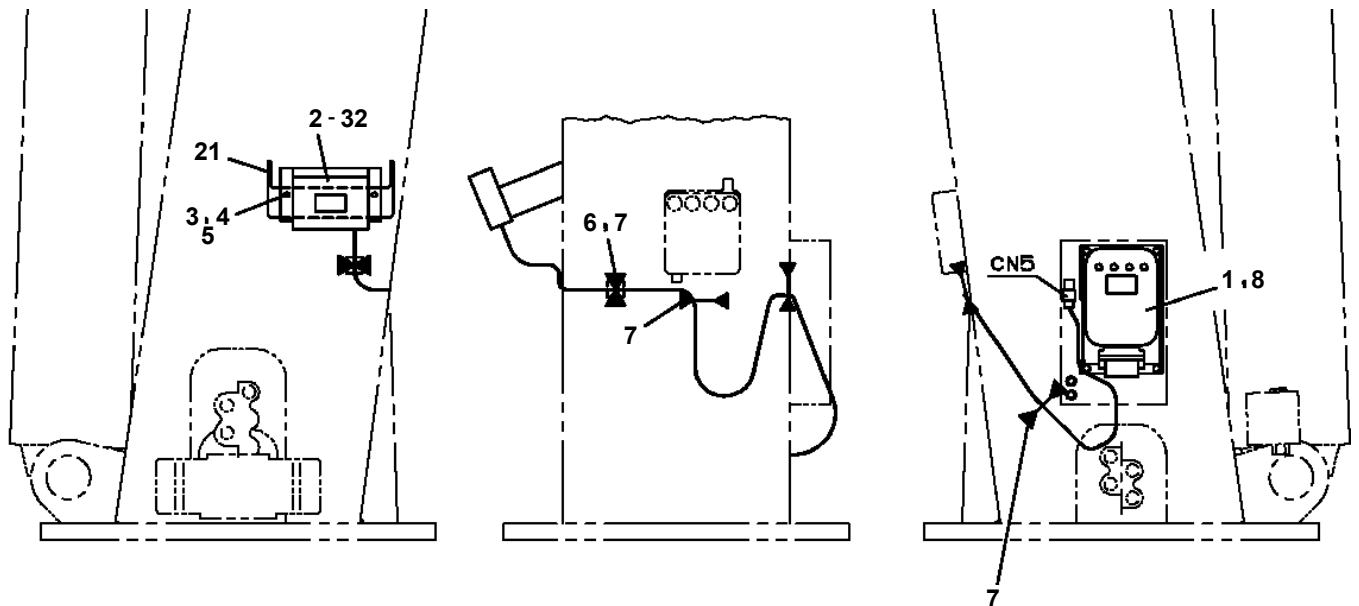


A



B

TM-ZR600 31104010490A FRAME/STD,MANUAL,HOOK-IN
PH1430003-00 INDICATOR



TM-ZR600 31104010490A FRAME/STD,MANUAL,HOOK-IN

Pos No.	Parts No	Parts Name	Qty	Unit	Technical Data	Serial No (Start)	Serial No (End)	Remarks
1	36663955010	SHAFT	1					
2	80500006206	BEARING,BALL	1					
4	91001206500	O-RING	1		1A G65			
5	36660025021	COVER (OIL SEAL)	1					
6	36660025140	SEAL,OIL	1					
7	36663485110	RING,RETAINING	1		R72			
8	36663955020	PLATE,THRUST	1					
9	36663955030	BARREL ASSY (CYLINDER)	1					
10	36663955040	PLATE (VALVE)	1					
11	36661925030	COVER (BOTTOM)	1					
12	80500006203	BEARING,BALL	1					
13	36662355110	PIN	2					
14	36663955050	O-RING	1					
15	36663955060	BOLT	6		M10X35			
16	14125151020	KEY	1					
17	36660125060	PLUG	2		PF3/8			
18	36081315130	PROTECTOR (THREAD)	2					
19	91001102201	O-RING	1		1A P22A			
21	36663955070	PISTON (LOCK)	1					
22	91001101800	O-RING	1		1A P18			
23	91410001800	RING,BACKUP	1		P18			
24	36663955080	SPRING (LOCK)	1					
25	36663955090	CAP (LOCK)	1					
44	36660025100	SPRING (PLUNGER)	5					
45	14125151300	RING,RETAINING	1					
46	12645103171	SPRING (CENTER)	1					
200	36663950000	MOTOR,HYDRAULIC	1					

CLICK HERE TO **DOWNLOAD** THE COMPLETE MANUAL

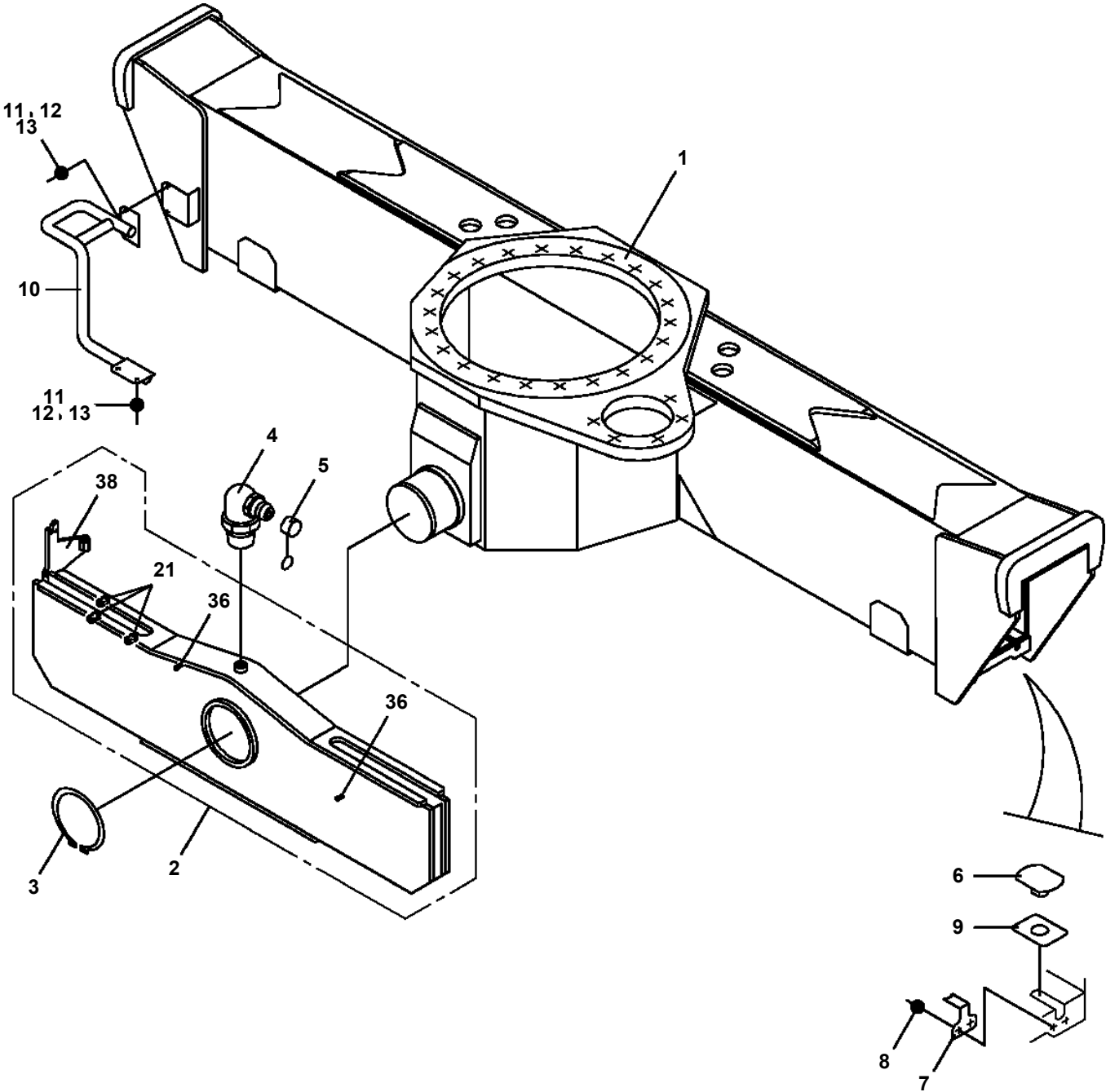
- Thank you very much for reading the preview of the manual.
- You can download the complete manual from: www.heydownloads.com by clicking the link below



- Please note: If there is no response to CLICKING the link, please download this PDF first and then click on it.

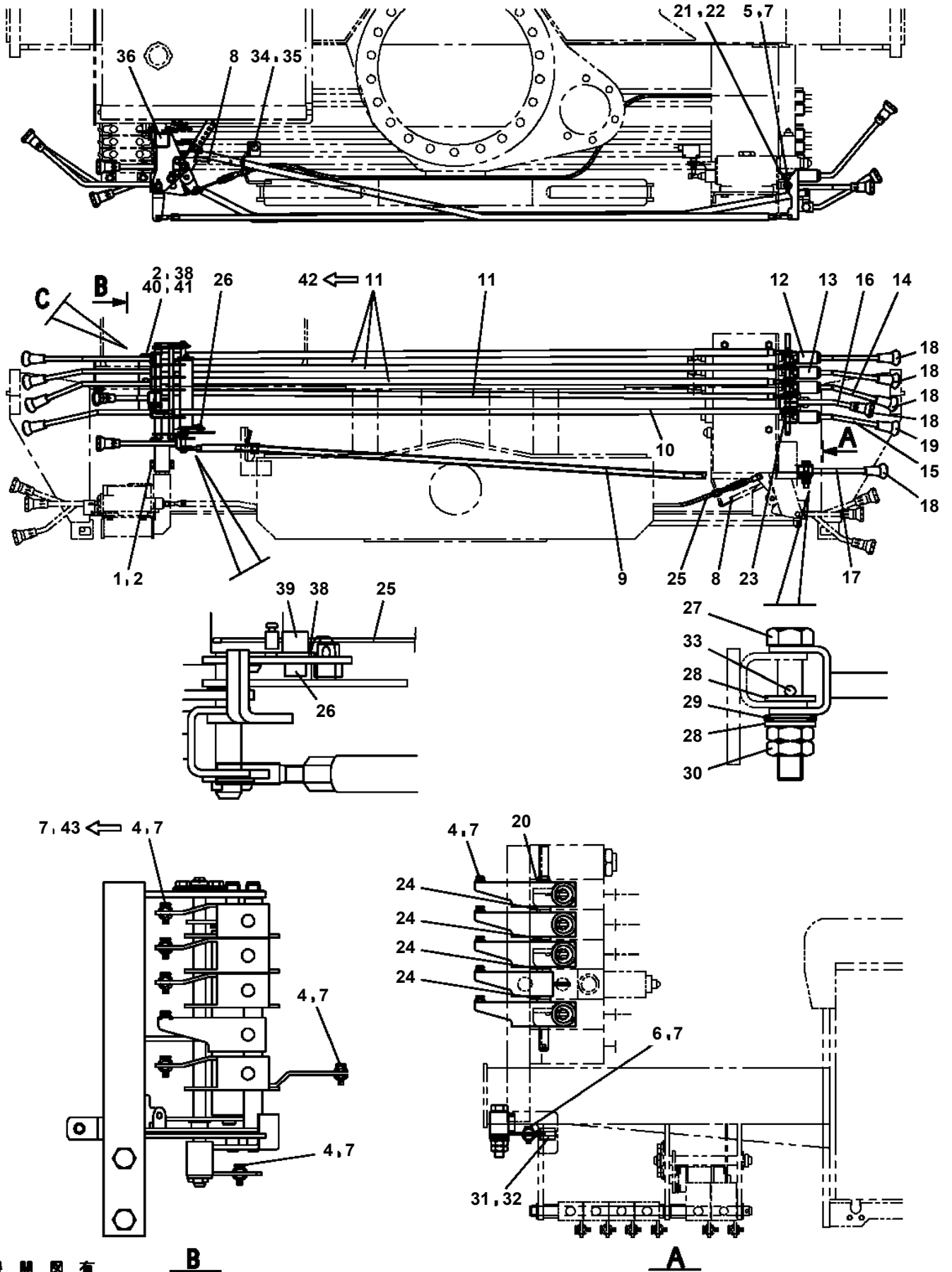
CLICK HERE TO **DOWNLOAD** THE COMPLETE MANUAL

TM-ZR600 31104010490A FRAME/STD,MANUAL,HOOK-IN
PK1010662-04 FRAME



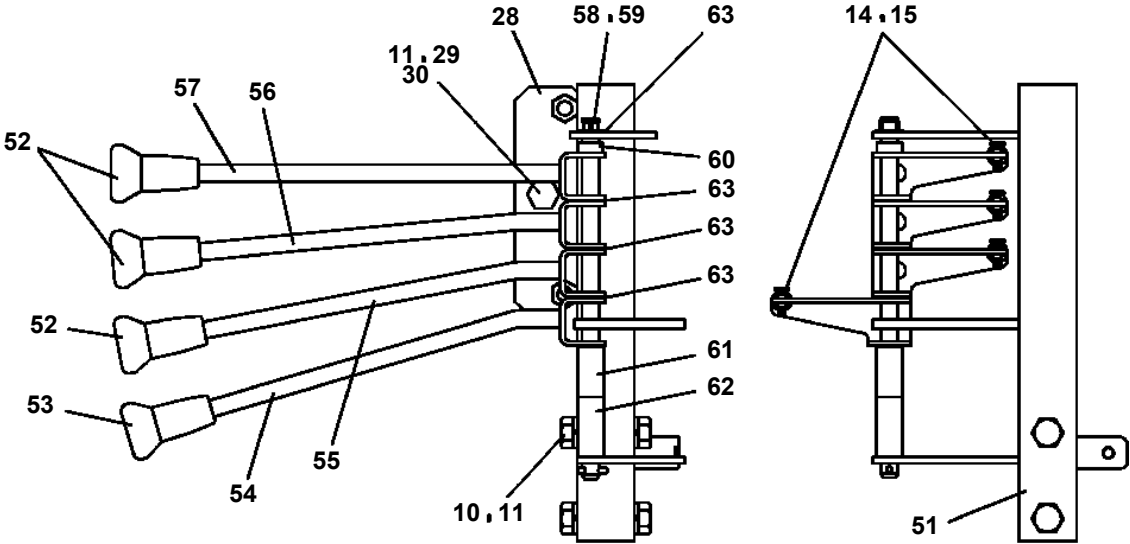
展開圖有
ILLUSTRATED BREAKDOWN NO.1

TM-ZR600 31104010490A FRAME/STD,MANUAL,HOOK-IN
 PL1010911-04 OPE.ASSY,CONT.VALVE (CRANE)

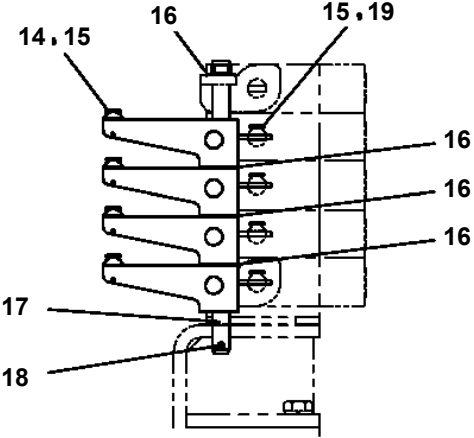


展開図有 **B**
 ILLUSTRATED BREAKDOWN NO. 9,10,11,12,13,14,15,42

**TM-ZR600 31104010490A FRAME/STD,MANUAL,HOOK-IN
PL1010957-01 OPE.ASSY,CONT.VALVE (CRANE)**



C

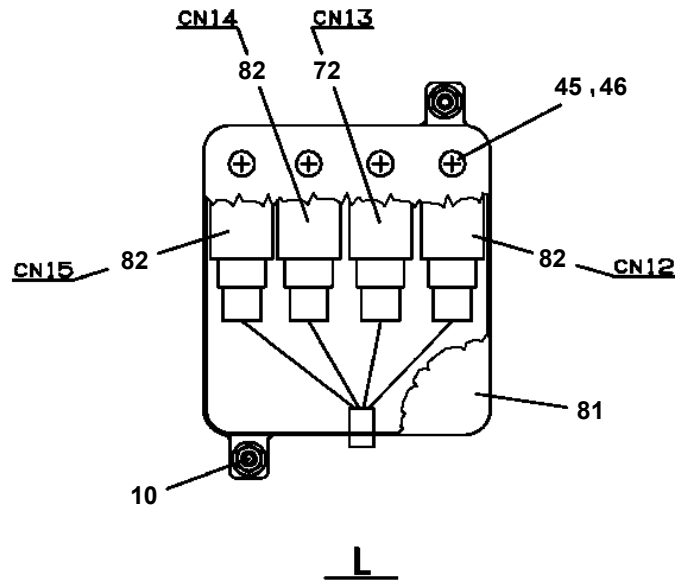
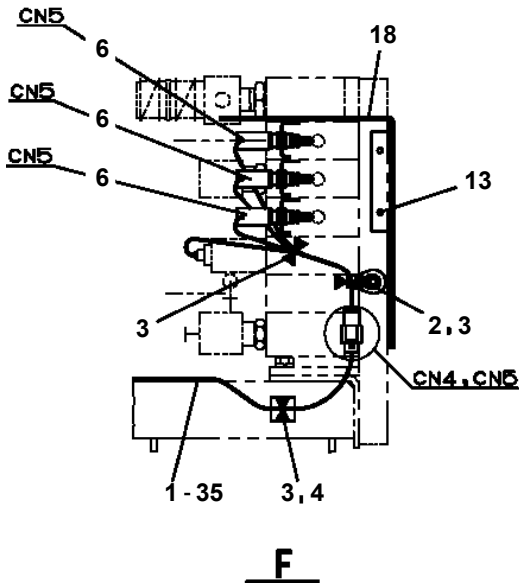
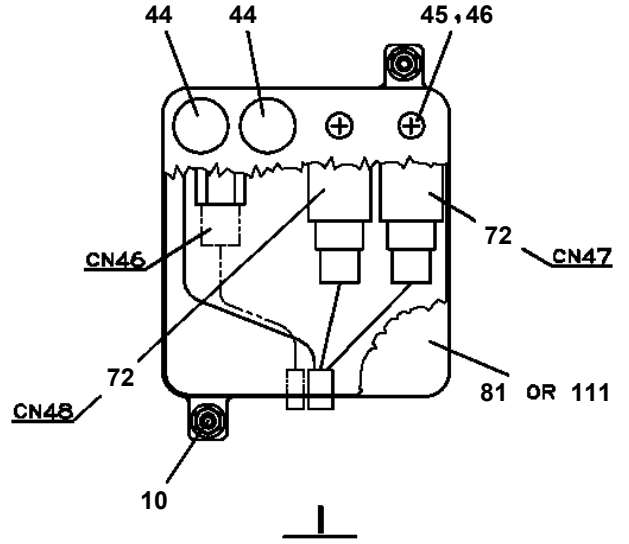
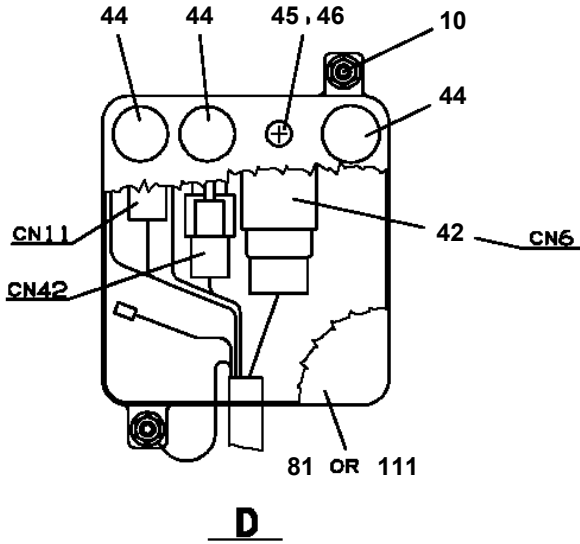


D

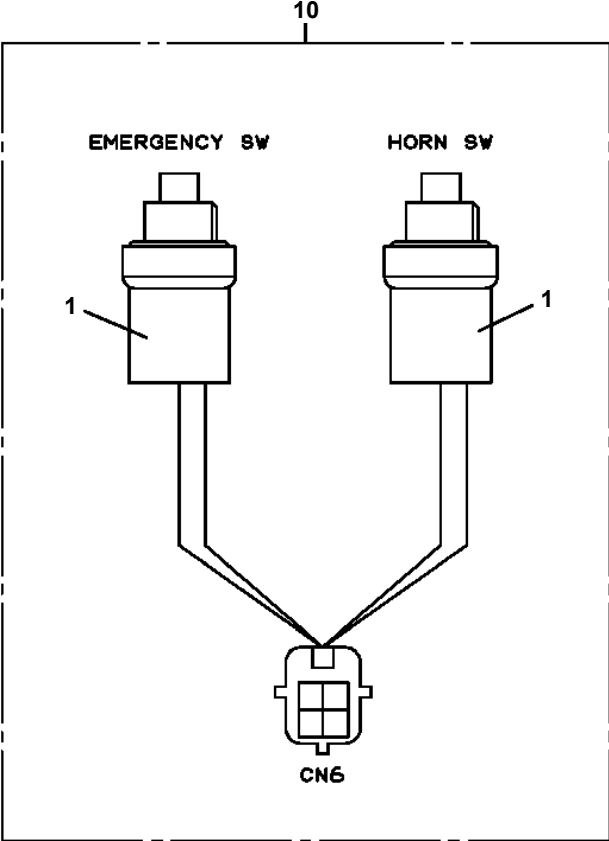
TM-ZR600 31104010490A FRAME/STD,MANUAL,HOOK-IN

Pos No.	Parts No	Parts Name	Qty	Unit	Technical Data	Serial No (Start)	Serial No (End)
1	90186206010	BOLT,FLANGE	8		M6X10		
2	90101205010	BOLT	4		M5X10		
3	90302040501	WASHER,SPRING	4		5		
4	31361112100	COVER ASSY	1				
5	31361411300	HARNESS	1				
6	31360741700	SUPPORT	1				
7	31653243300	SWITCH ASSY (PLATING:NACC)	1				
8	82197600101	CAP (BLACK)	2				
9	36150070000	DETECTOR,LOAD	2				
10	31360861600	BUZZER ASSY	1				
11	80192486014	SCREW,MACHINE (WITH WASHER)	2		M6X14		
12	91850100802	CLAMP	3				
13	91810130240	FASTENER	14				
14	31653242100	COVER (IRON)	1				
	31653242200	COVER (PLASTIC)	1				
15	90280200800	NUT,FLANGE	2		M8		
16	31360861400	COVER	1				
17	90186208010	BOLT,FLANGE	2		M8X10		
18	90280200600	NUT,FLANGE	2		M6		
19	90303070601	WASHER,PLAIN	4		6		
20	82400000475	PLATE	4				
21	82100002596	RELAY	1				
31	31361112110	COVER	1				
32	31361112120	PLATE	1				
33	31361112130	SEAL	1				

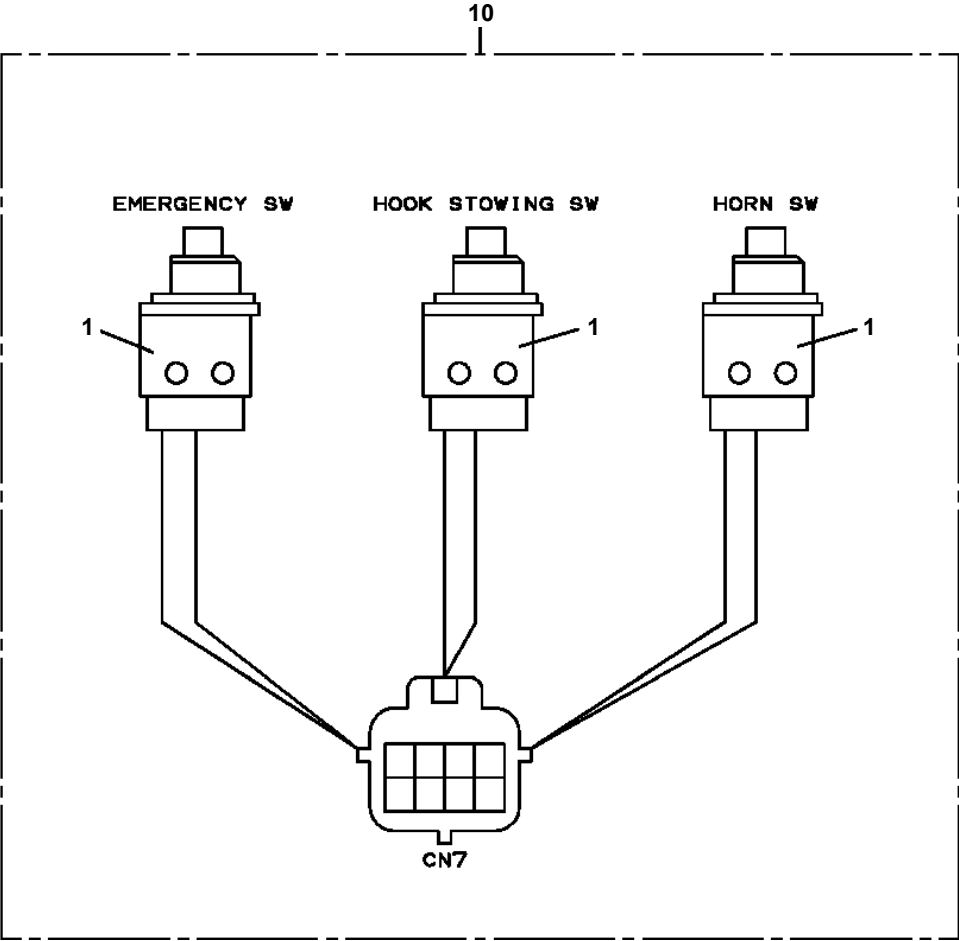
**TM-ZR600 31104010490A FRAME/STD,MANUAL,HOOK-IN
PN1014108-01 ELEC.ASSY (FRAME)**



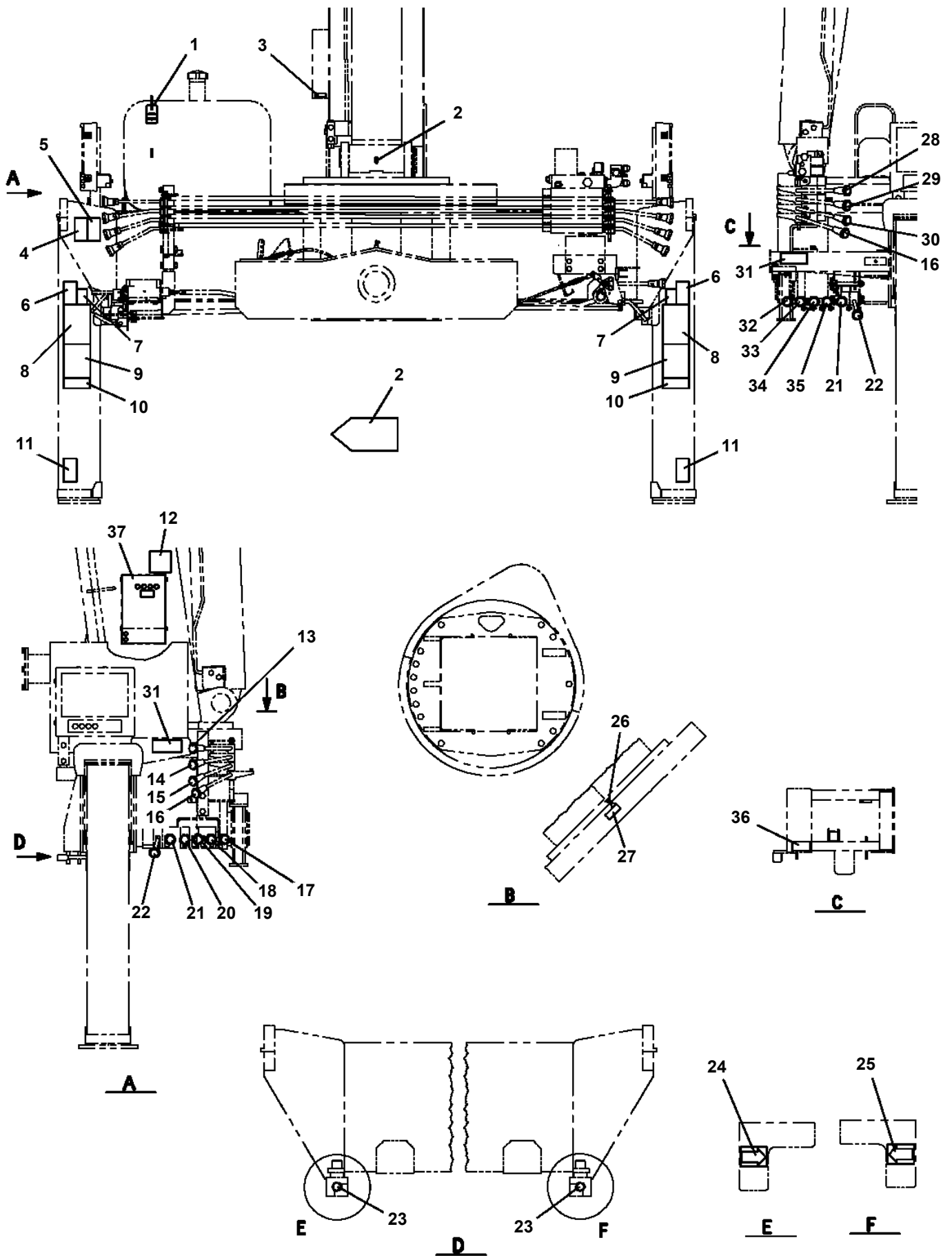
**TM-ZR600 31104010490A FRAME/STD,MANUAL,HOOK-IN
PN1140222-01 SWITCH ASSY (PLATING:NACC)**



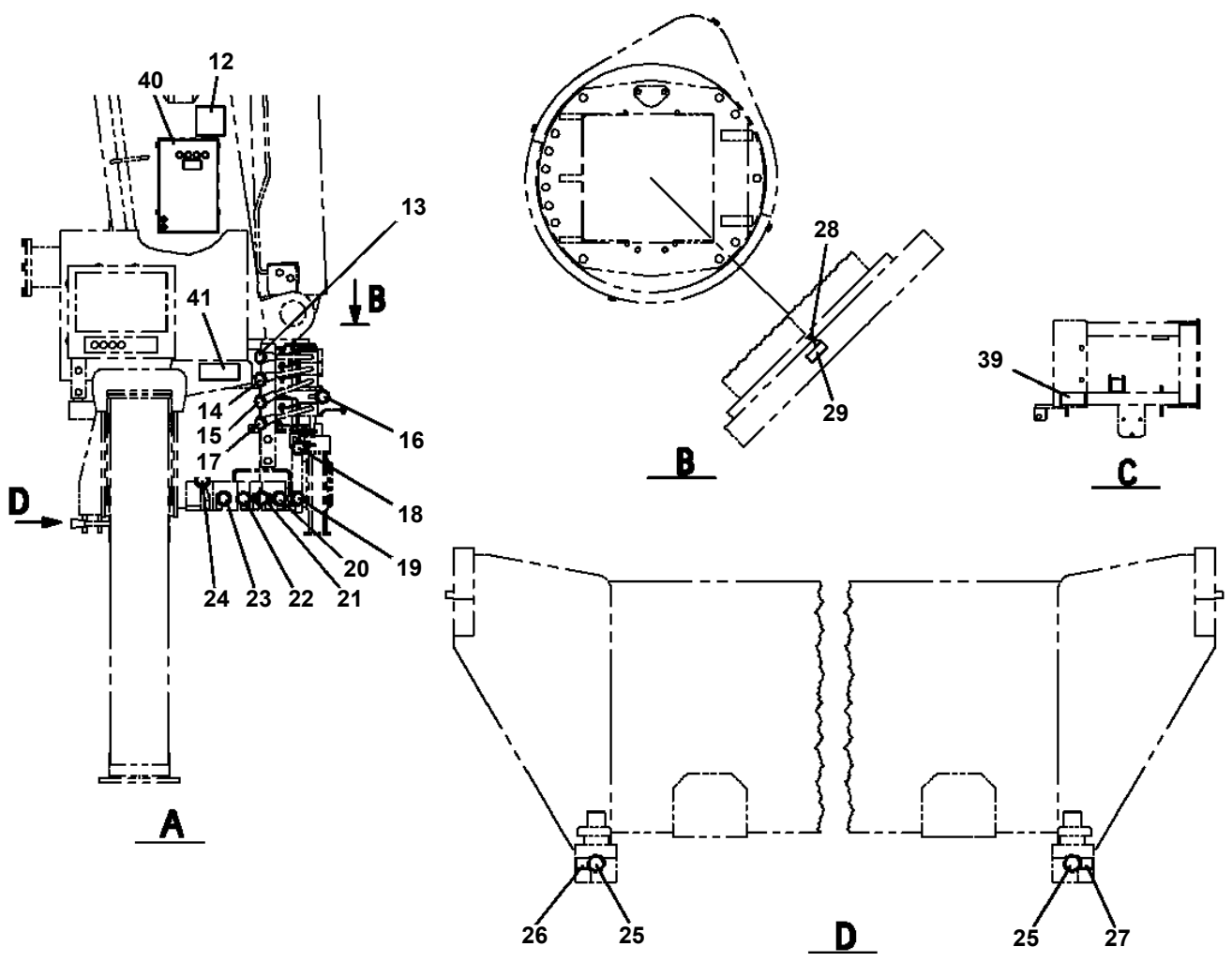
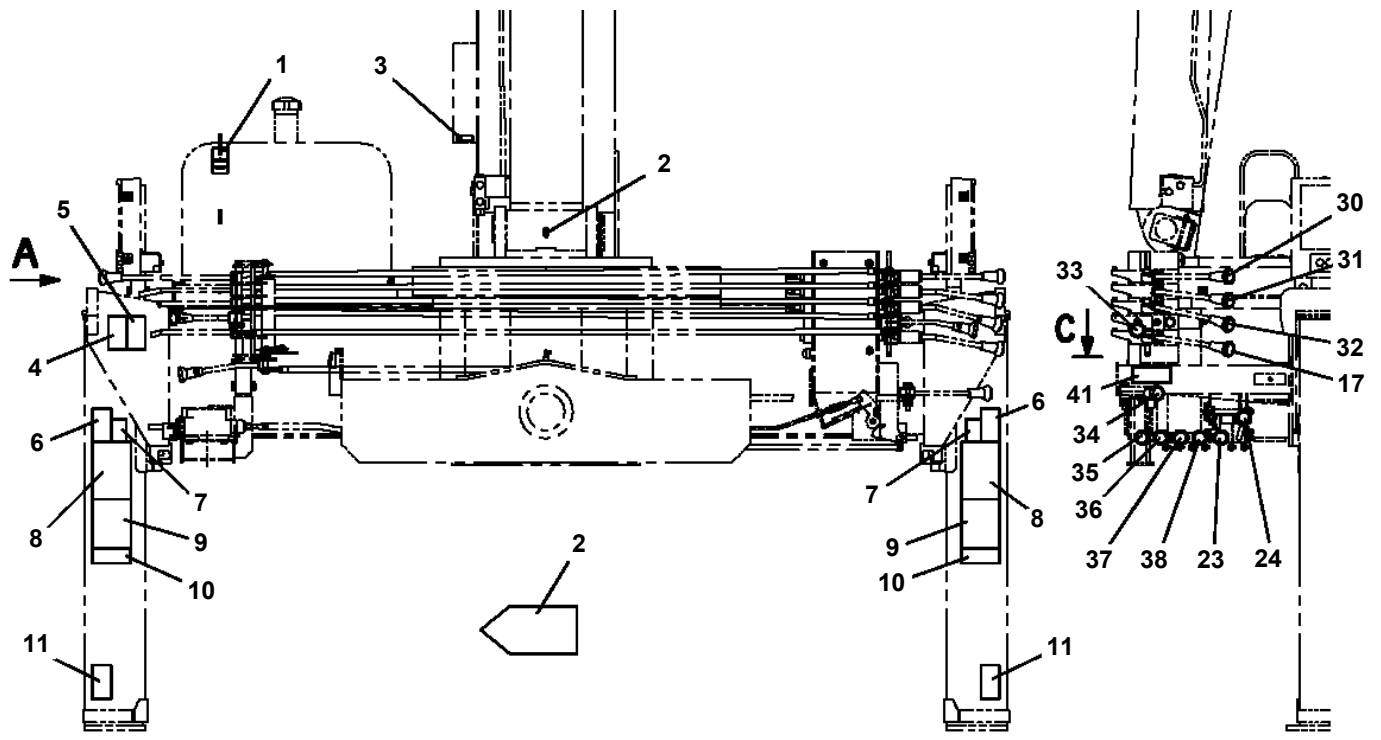
**TM-ZR600 31104010490A FRAME/STD,MANUAL,HOOK-IN
PN1140227-00 SWITCH ASSY (GREEN:PANASONIC)**



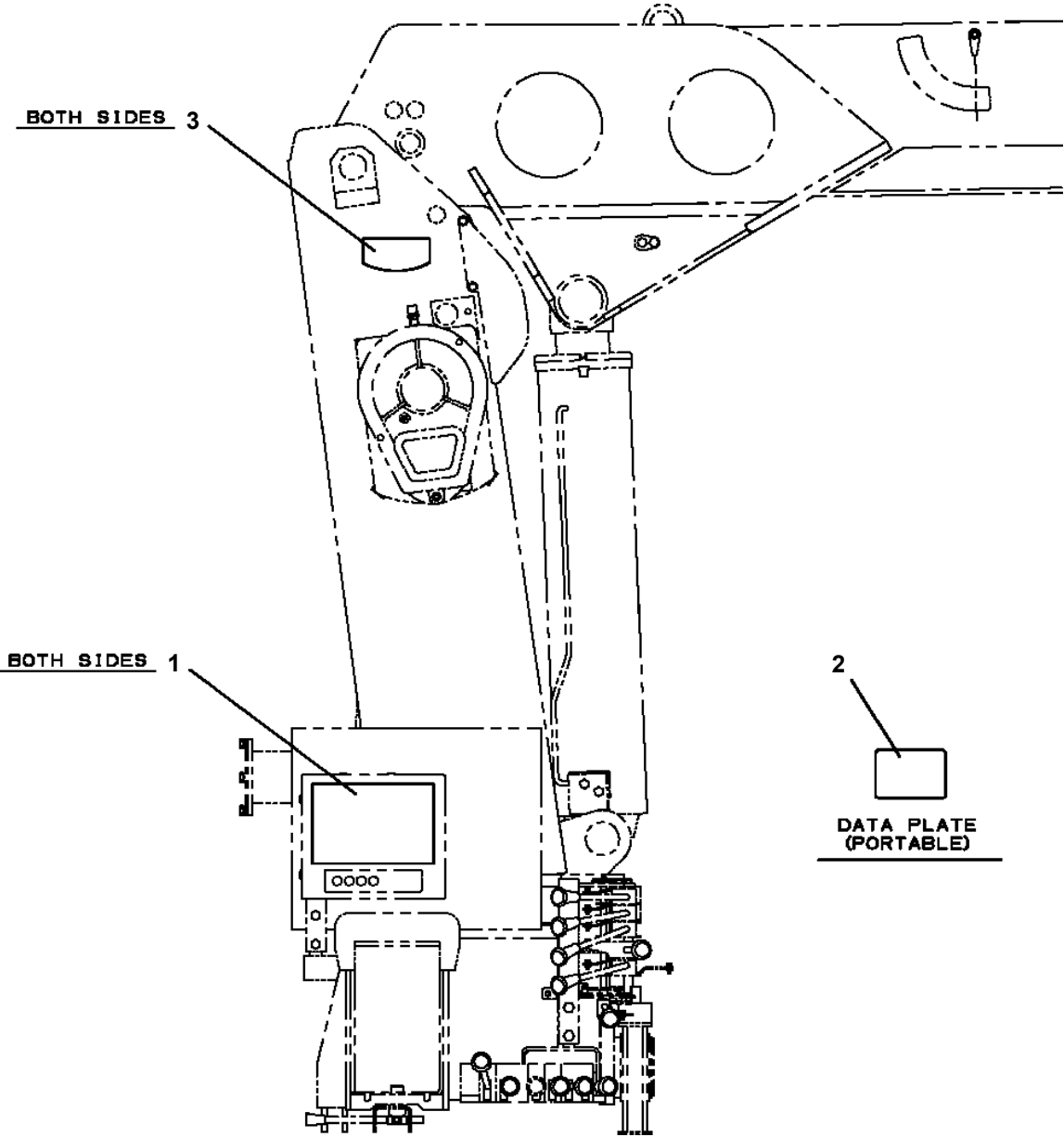
**TM-ZR600 31104010490A FRAME/STD,MANUAL,HOOK-IN
PO1013393-00 PLATE ASSY,NAME (FRAME)**



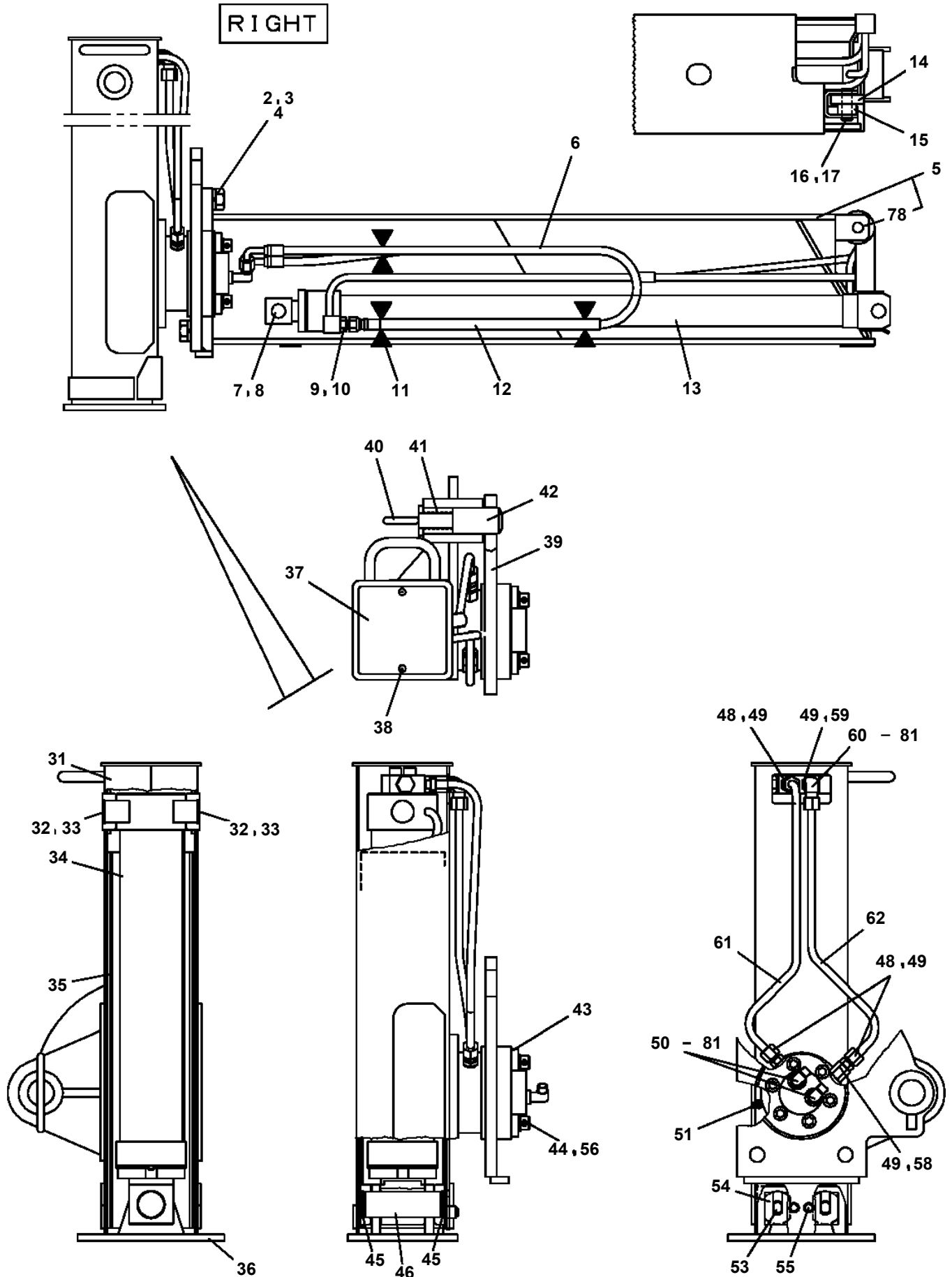
TM-ZR600 31104010490A FRAME/STD,MANUAL,HOOK-IN
 PO1014522-00 PLATE ASSY,NAME (FRAME)



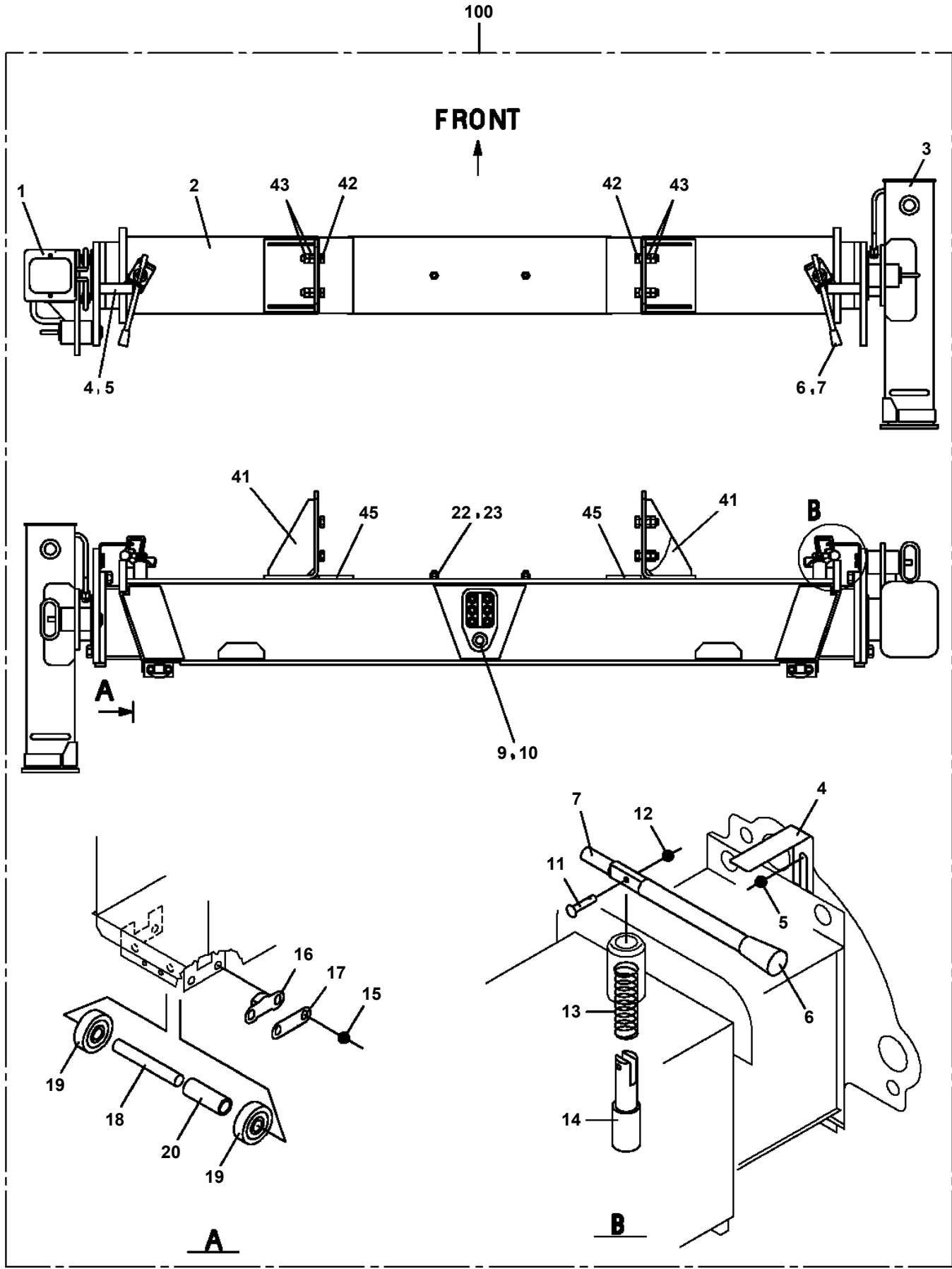
**TM-ZR600 31104010490A FRAME/STD,MANUAL,HOOK-IN
PO1070300-00 PERFORMANCE DATA(ZR604,10T B)**



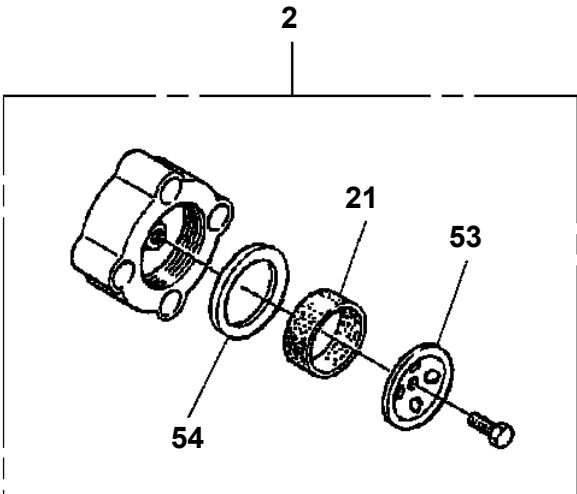
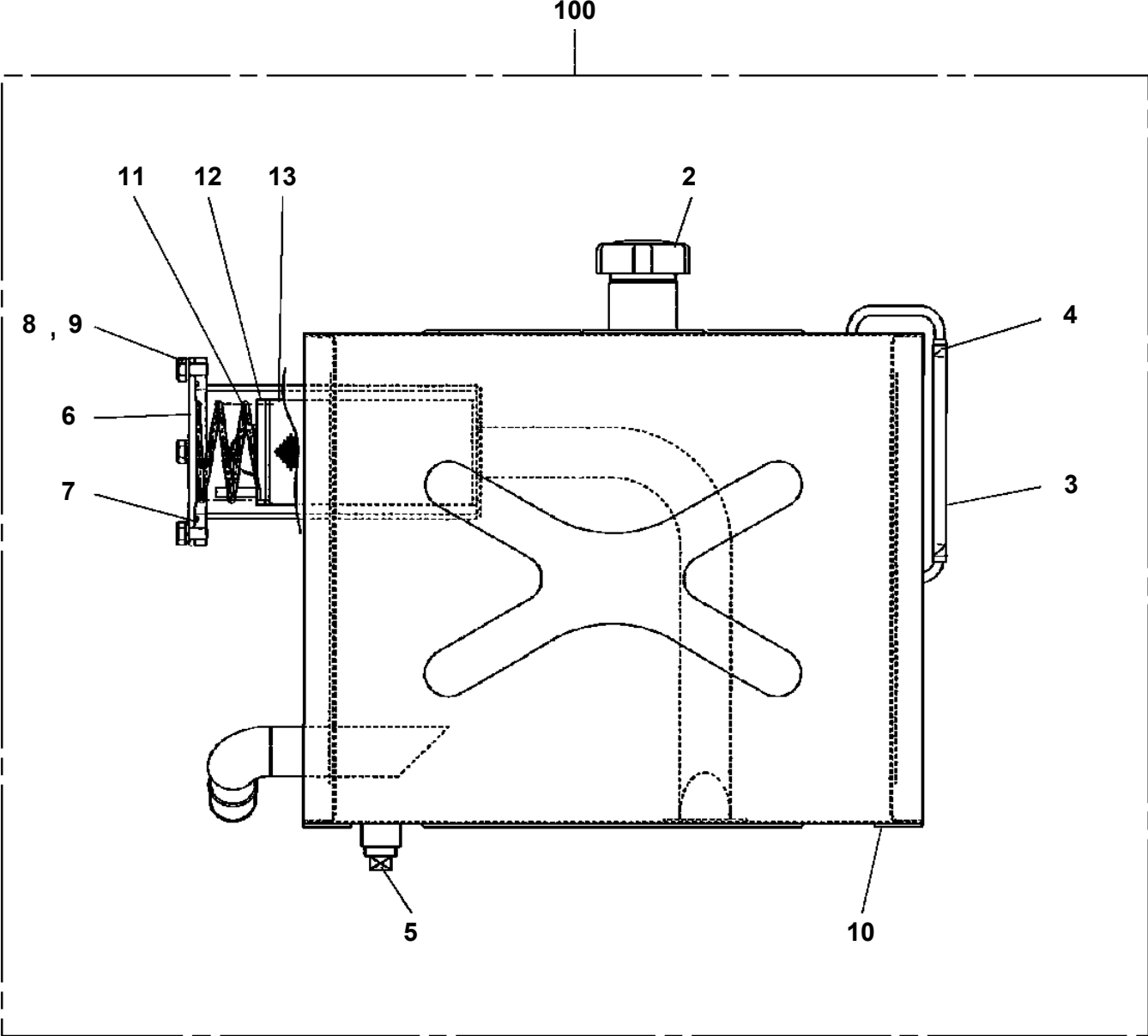
**TM-ZR600 31104010490A FRAME/STD,MANUAL,HOOK-IN
PO5270061-02 OUTRIGGER ASSY (RIGHT)**



TM-ZR600 31104010490A FRAME/STD,MANUAL,HOOK-IN
PO5290045-00 OUTRIGGER ASSY,REAR (HIGH TRUCK BED)

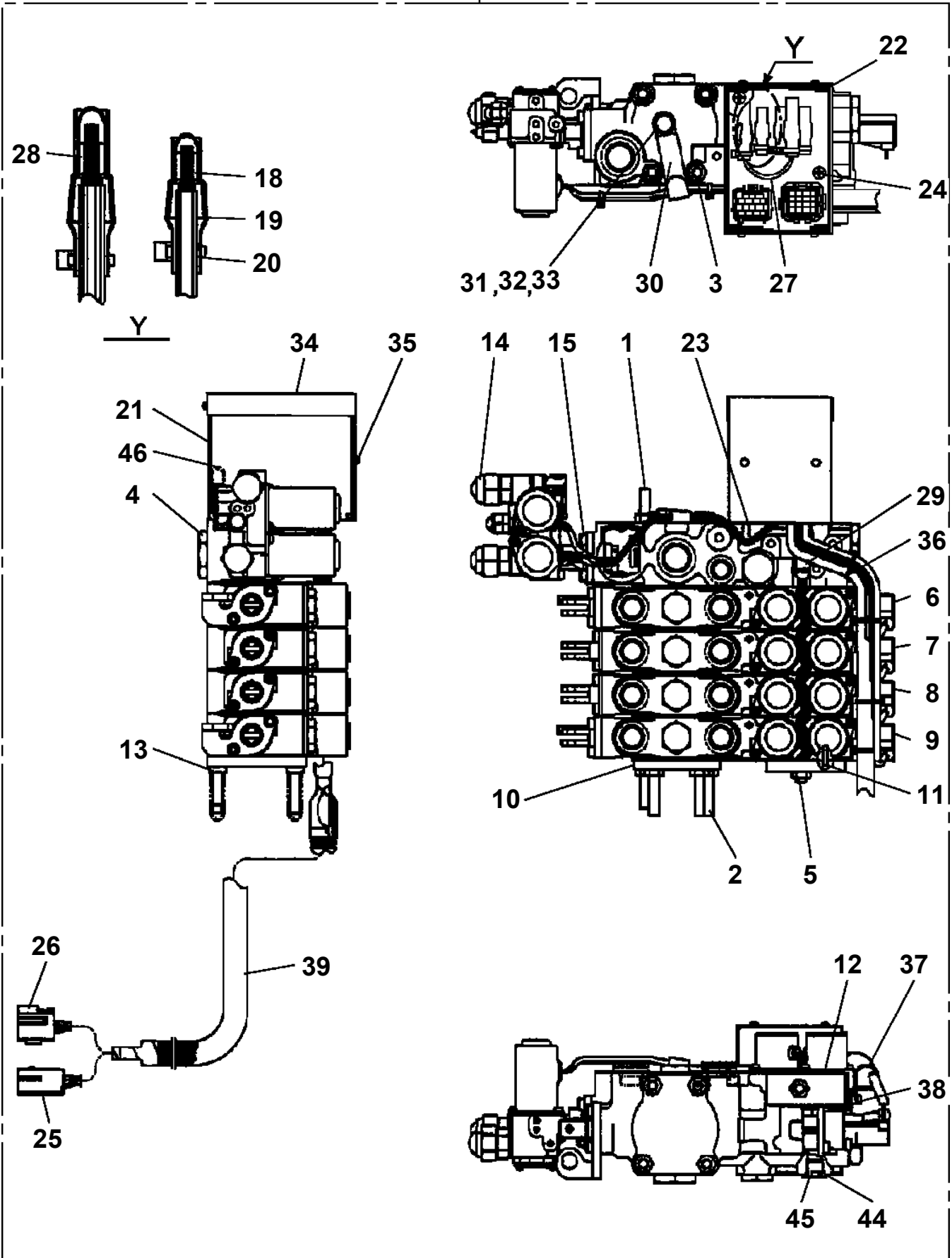


TM-ZR600 31104010490A FRAME/STD,MANUAL,HOOK-IN
PT5060013-00 TANK ASSY



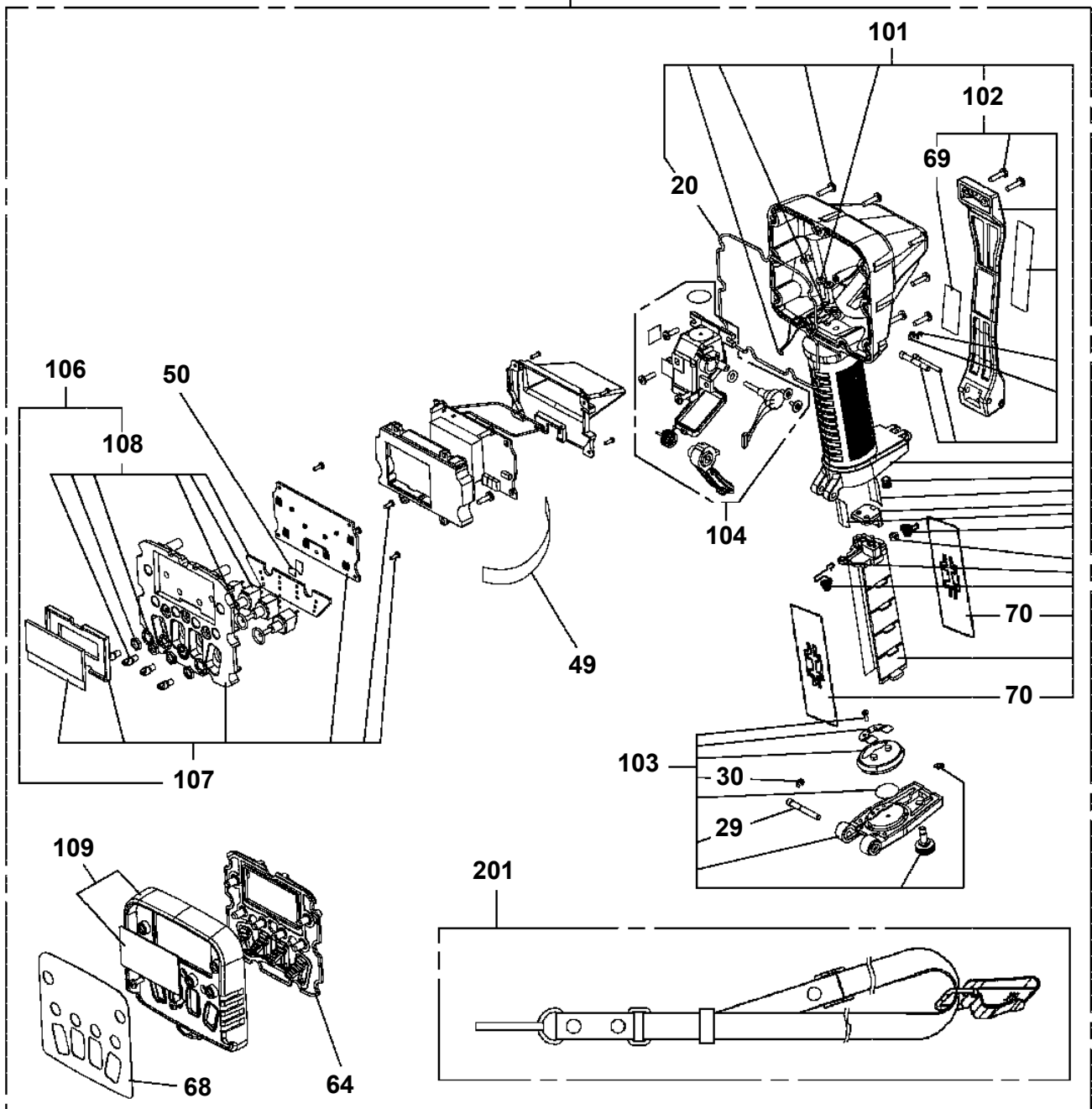
TM-ZR600 31104010490A FRAME/STD,MANUAL,HOOK-IN
PV1020332-00 VALVE,REMOTE CONTROL

300



TM-ZR600 31104010490A FRAME/STD,MANUAL,HOOK-IN
PV1030105-04 SWITCH BOX

300



注意

1. 本体分解時には、指示番号20の「Oリング (ケース)」を併せて注文ください。
2. お送りする「ラベル (コクイン)」には製造番号は印字されていないので記入してください。

NOTICE

1. When disassembling the main unit, order a key No.20 [O-RING(CASE)] beforehand.
2. Serial No.is not stamped on the 「 LABEL(SELIAL)」 before shipment. Fill in the blank by yourself.

TM-ZR600 31104010490A FRAME/STD,MANUAL,HOOK-IN

Pos No.	Parts No	Parts Name	Qty	Unit	Technical Data	Serial No (Start)	Serial No (End)	Remark
1	36062745010	BODY	1					
2	36062825010	ROD ASSY	1					
3	36062745030	SPRING (A)	1					
4	36062745040	SPRING (B)	1					
5	36062745050	COVER (SEAL)	1					
6	80602110380	RING,RITAINING	1		R38			
7	36648375020	BALL,STEEL	9		3/16			
8	36648375030	BALL,STEEL	5		5/32			
9	91001101400	O-RING	2		1A P14			
10	91001102800	O-RING	1		1A P28			
11	91001003200	O-RING	1		1A S32			
12	91001003150	O-RING	1		1A S31.5			
13	91001002200	O-RING	2		S22			
14	91650001400	SCRAPER	2					
15	36062445011	LVDT ASSY (A/WITH CORE,)	1					
16	36644015220	SHIM (T=0.2)	2					
17	36644015230	SHIM (T=0.3)	2					
18	36062745060	FLANGE	1					
19	80172105008	SCREW,MACHINE	2		M5X8			
21	36062635050	TUBE,CORRUGATE	1		10			
22	80172104010	SCREW,MACHINE	5		M4X10			
25	36081315130	PROTECTOR (THREAD)	2					
27	36645405100	BOLT	2		M4X22			
28	36062635030	FASTENER	1					
29	90303070401	WASHER,PLAIN	1		4			
30	36645405110	SHIM (T=1.0)	1					
31	36062745080	VALVE,SOLENOID	1					
	36062745090	VALVE ASSY,SOLENOID	1			NA0315		
100	36062820000	CYLINDER,ACCELERATOR	1				NA0314	

TM-ZR600 31104010490A FRAME/STD,MANUAL,HOOK-IN

Pos No.	Parts No	Parts Name	Qty	Unit	Technical Data	Serial No (Start)	Serial No (End)	Remarks	Pages
10	36804914000	BOX,STOWING	1						

TM-ZR600 31104010490A FRAME/STD,MANUAL,HOOK-IN

Pos No.	Parts No	Parts Name	Qty	Unit	Technical Data	Serial No (Start)	Serial No (End)	Rema
3	91001101800	O-RING	3		1A P18			
4	36631615120	CAP (SEAL)	2					
5	36631615130	SEAL	2					
6	36634485060	BRACKET	1					
7	36631615060	SEAT,SPRING	2					
8	36631615050	SPRING (RETURN)	1					
9	36638275080	ADAPTER	1					
10	36638275070	CAP	1					
11	36645615260	C-BOLT	4		M5X8			
12	36637835090	POPPET	1					
13	36631615100	SPRING	1					
14	36631615110	CAP (VALVE)	1					
15	36631615091	LINK	1					
100	36637835051	VALVE ASSY (TELESCOPING)	1					

CLICK HERE TO **DOWNLOAD** THE COMPLETE MANUAL

- Thank you very much for reading the preview of the manual.
- You can download the complete manual from: www.heydownloads.com by clicking the link below



- Please note: If there is no response to CLICKING the link, please download this PDF first and then click on it.

CLICK HERE TO **DOWNLOAD** THE COMPLETE MANUAL