

**TM-ZR500 31094010461A FRAME/STD,REMOTE-RADIO CONT.,HOOK-IN**  
**PB000040-02 SYSTEM (ZR500,DOMESTIC)**  
**ASSEMBLY**

CLICK HERE TO **DOWNLOAD** THE COMPLETE MANUAL

- Thank you very much for reading the preview of the manual.
- You can download the complete manual from: [www.heydownloads.com](http://www.heydownloads.com) by clicking the link below



- Please note: If there is no response to CLICKING the link, please download this PDF first and then click on it.

CLICK HERE TO **DOWNLOAD** THE COMPLETE MANUAL

TM-ZR500 31094010461A FRAME/STD,REMOTE-RADIO CONT.,HOOK-IN  
PB1020011-00 PUMP ASSY (SELECTION)

- PUMP ASSY
- ポンプASSYの選定

指示番号 key No	PUMP MODEL ポンプ型式番号	RUNNING DIRECTION 回転方向
1	SGP2-44D2H9-L639	COUNTERCLOCKWISE 左
2	SGP2-36D2H9-L638	COUNTERCLOCKWISE 左

[NOTE]

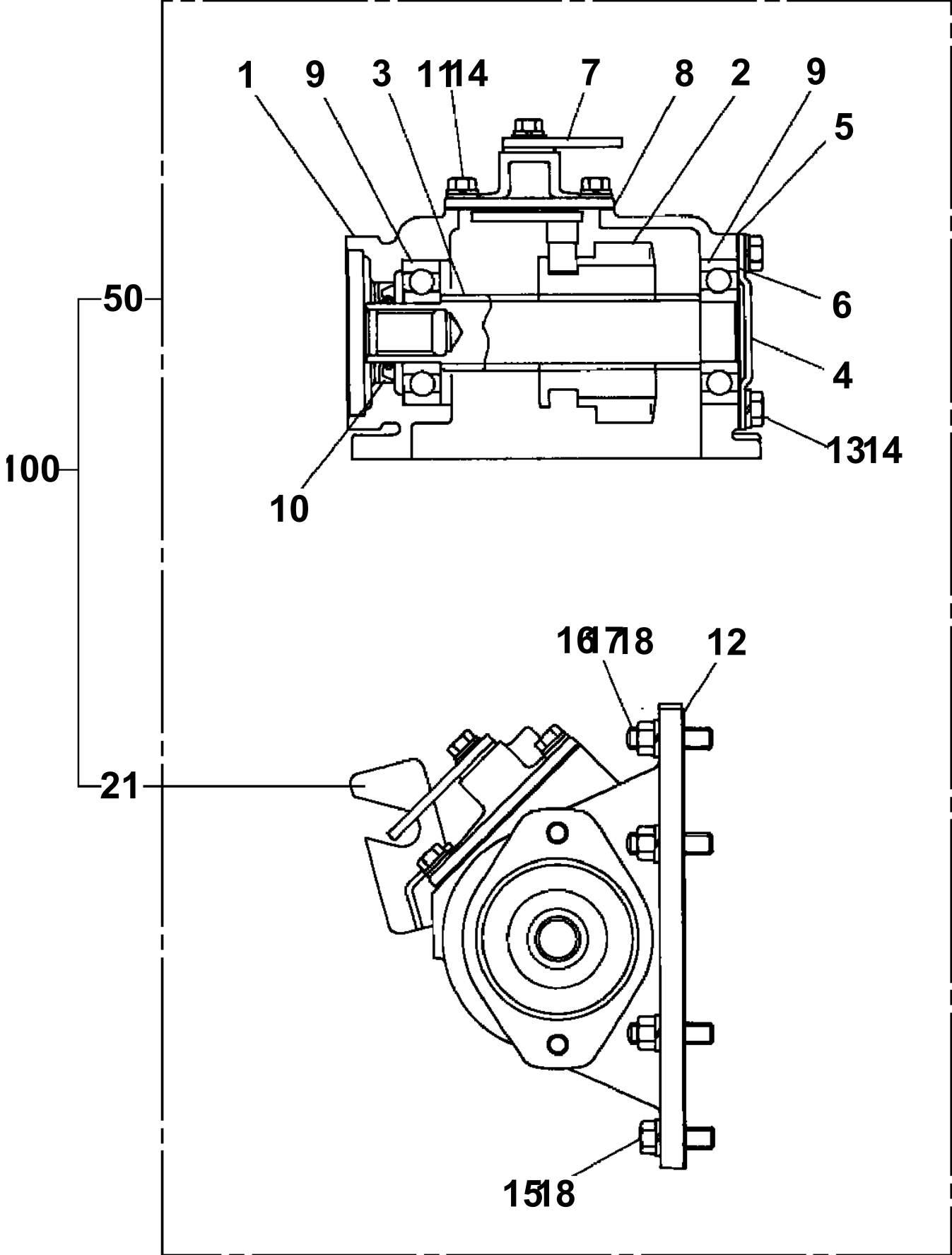
(1) PUMP MODEL NOS. ARE PUNCHED  
ON PUMP NAMEPLATE.

(2) THE PUMP RUNNING DIRECTION  
IS VIEWED FROM THE SHAFT  
TOWARD THE PUMP.

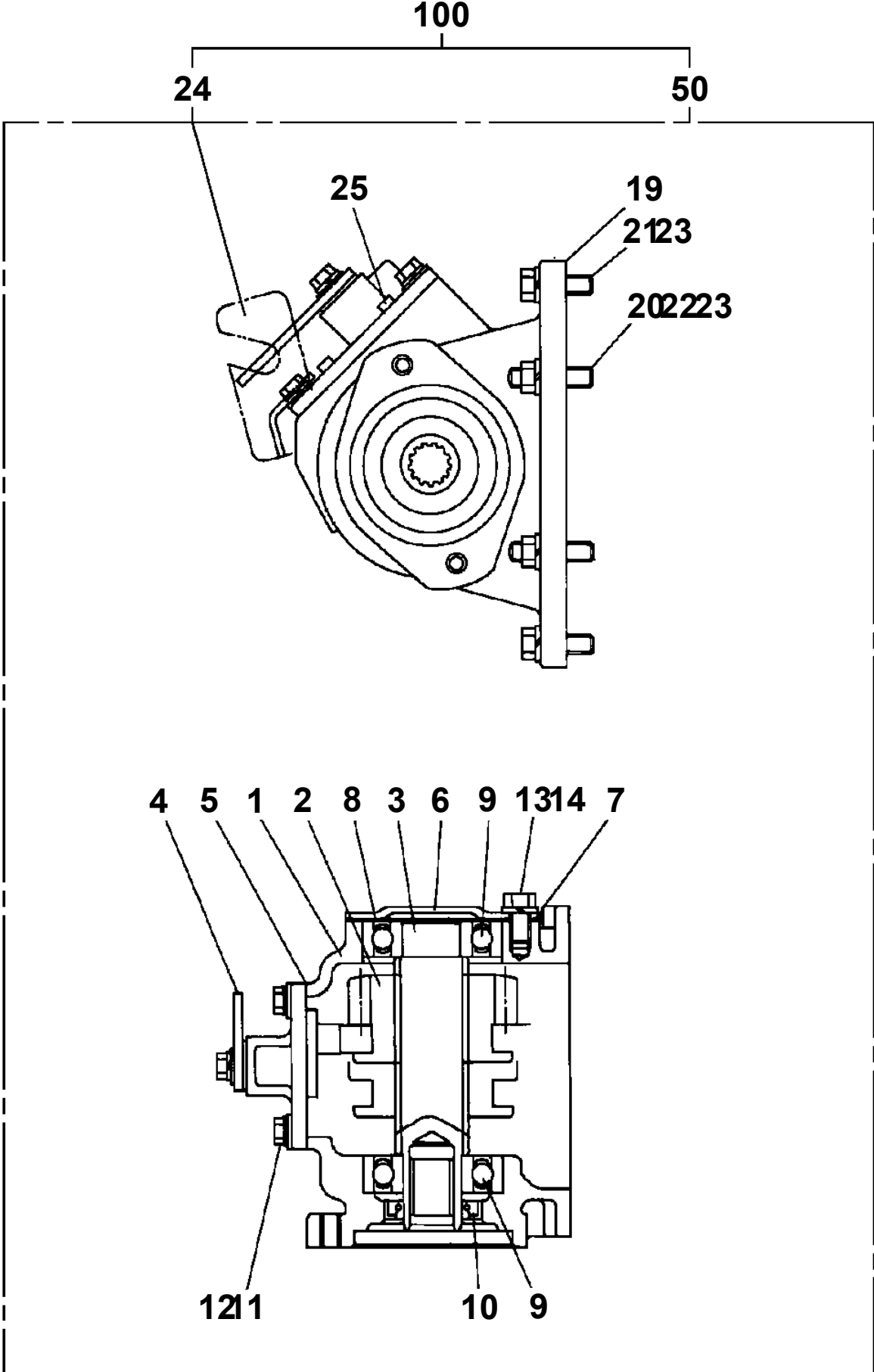
[注 意]

- (1) ポンプ型式番号はポンプ本体の銘板に打刻しています。
- (2) ポンプの回転方向はポンプの軸端から見ての回転方向です。

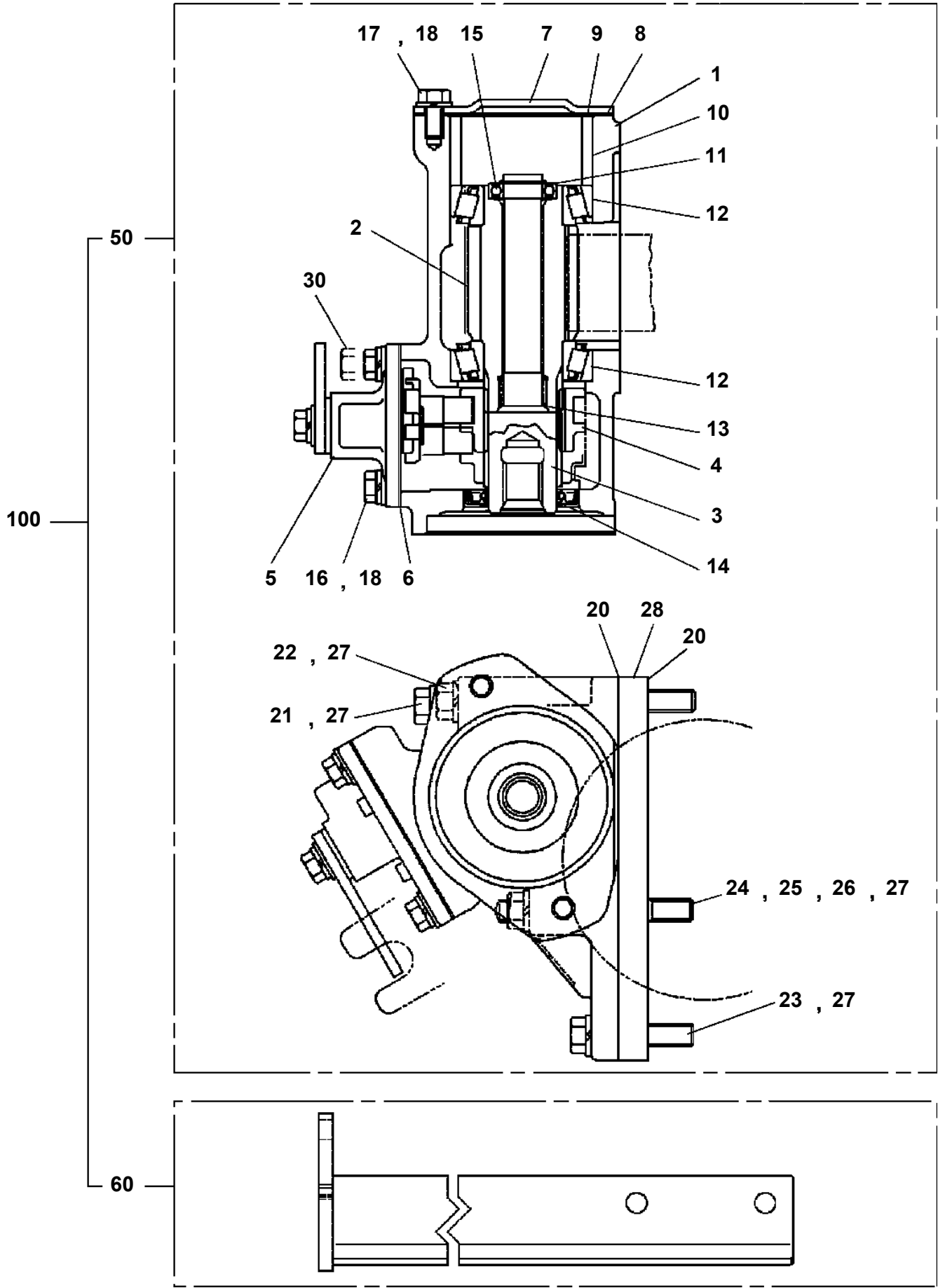
TM-ZR500 31094010461A FRAME/STD,REMOTE-RADIO CONT.,HOOK-IN  
PB1030116-01 POWER TAKE OFF



TM-ZR500 31094010461A FRAME/STD,REMOTE-RADIO CONT.,HOOK-IN  
PB1030141-01 POWER TAKE OFF



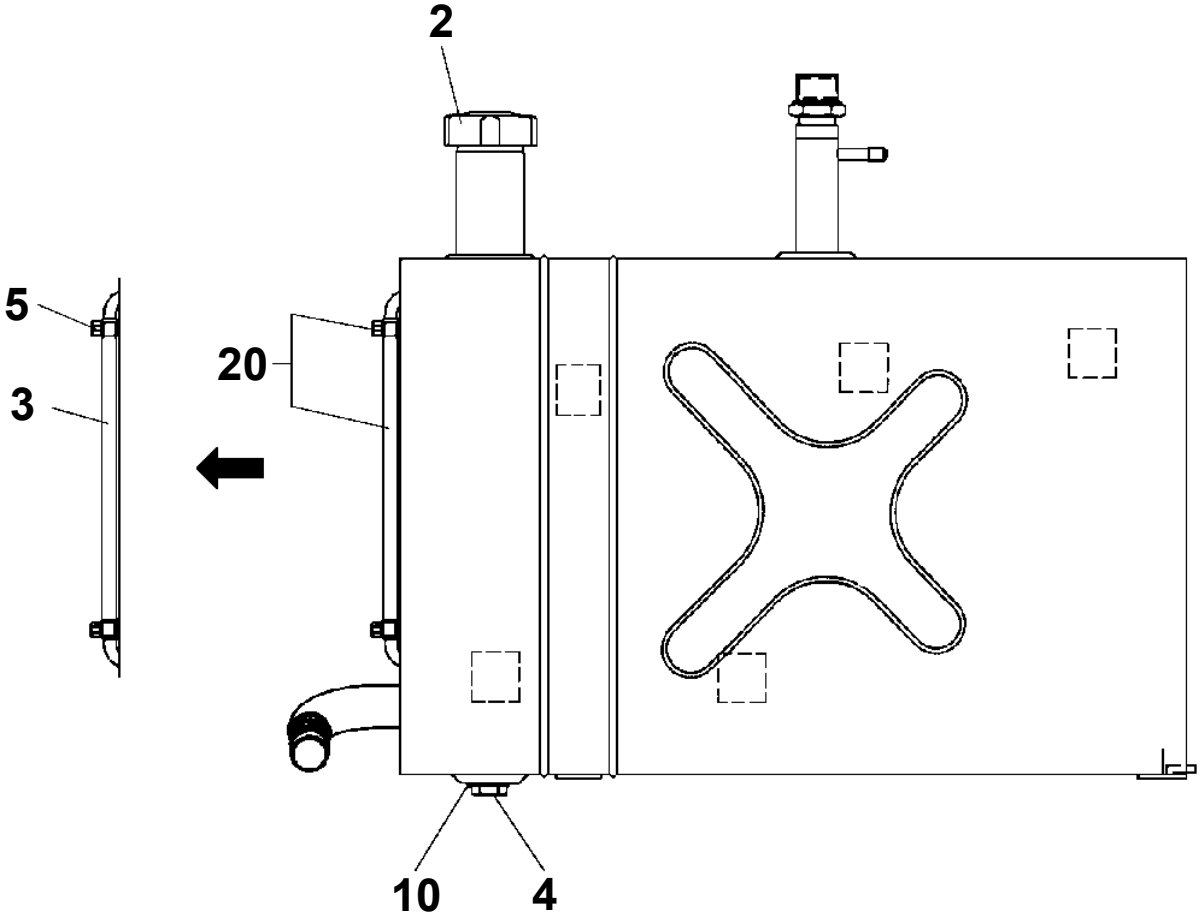
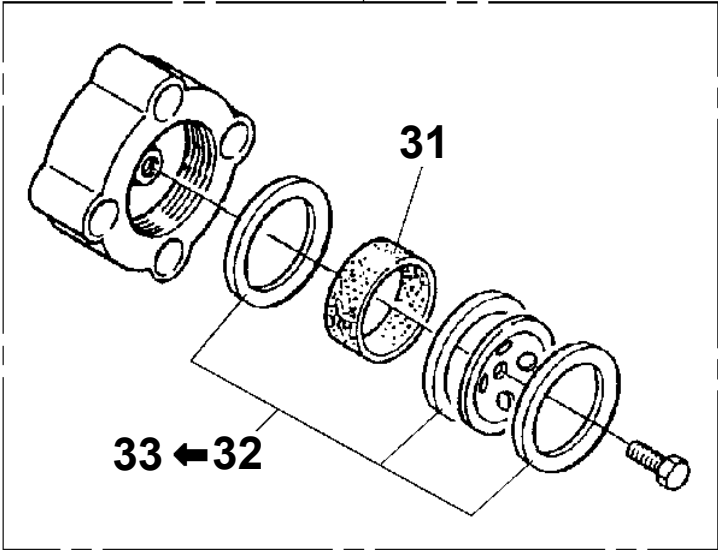
TM-ZR500 31094010461A FRAME/STD,REMOTE-RADIO CONT.,HOOK-IN  
PB1030234-01 POWER TAKE OFF



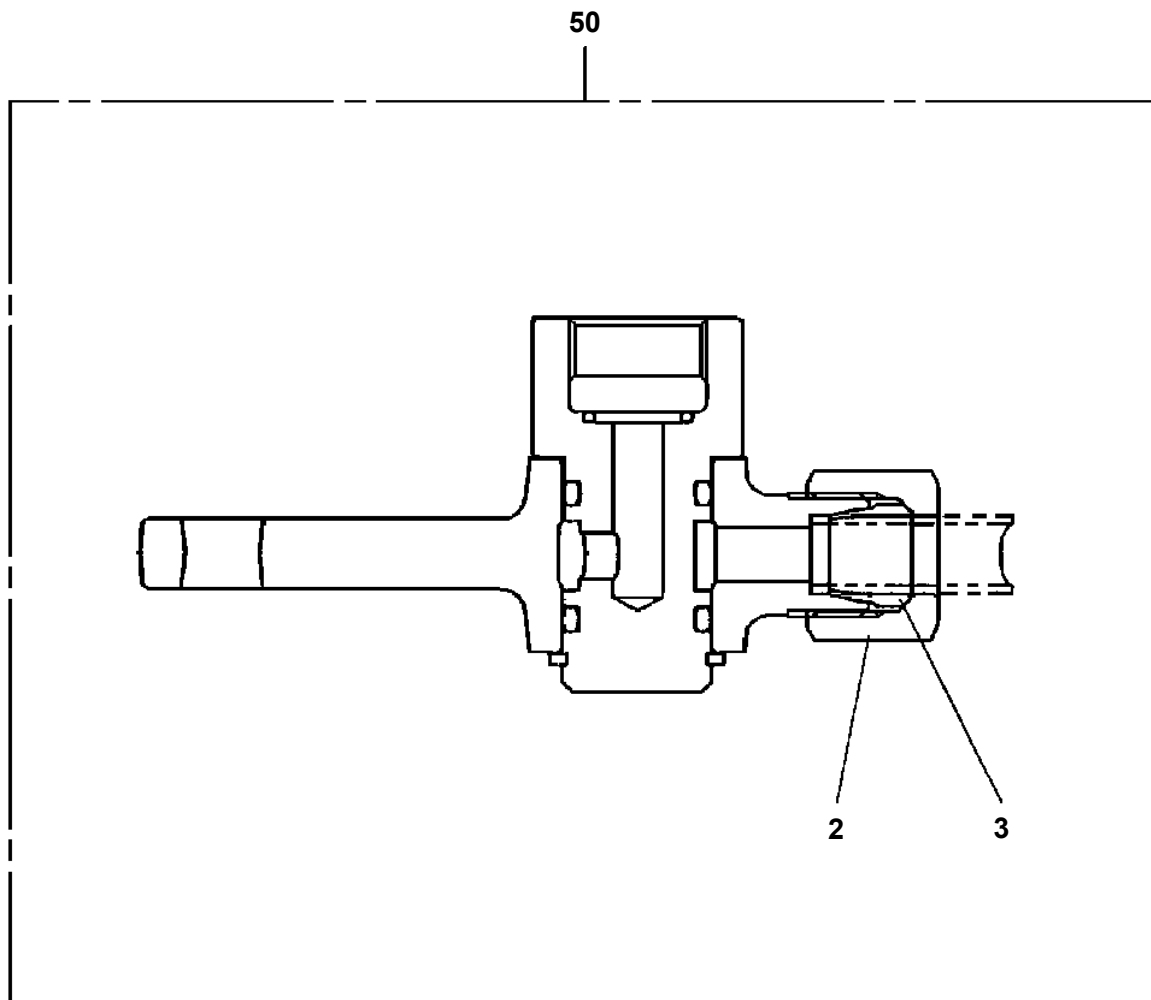
TM-ZR500 31094010461A FRAME/STD,REMOTE-RADIO CONT.,HOOK-IN  
PB1130162-01 TANK,OIL

50

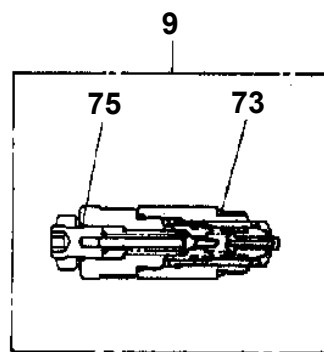
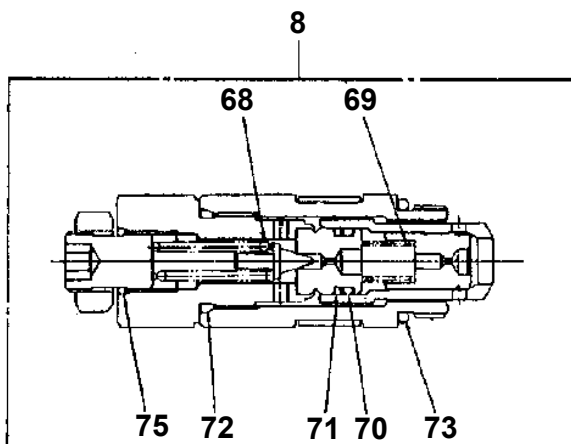
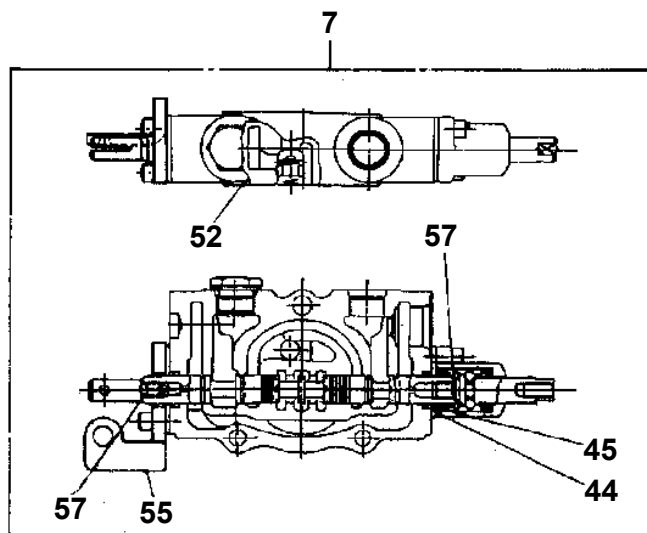
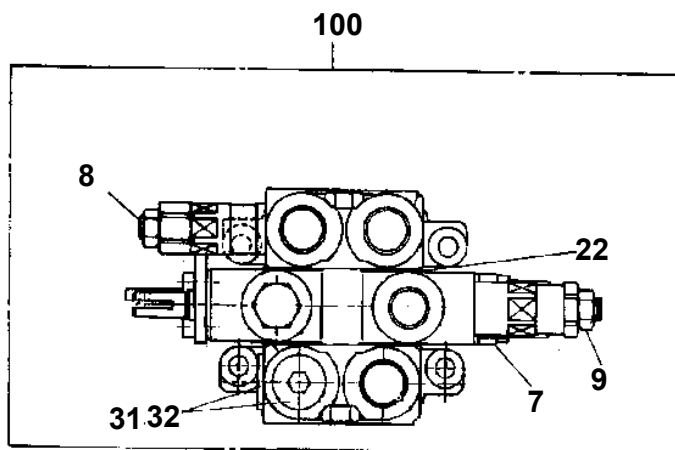
2



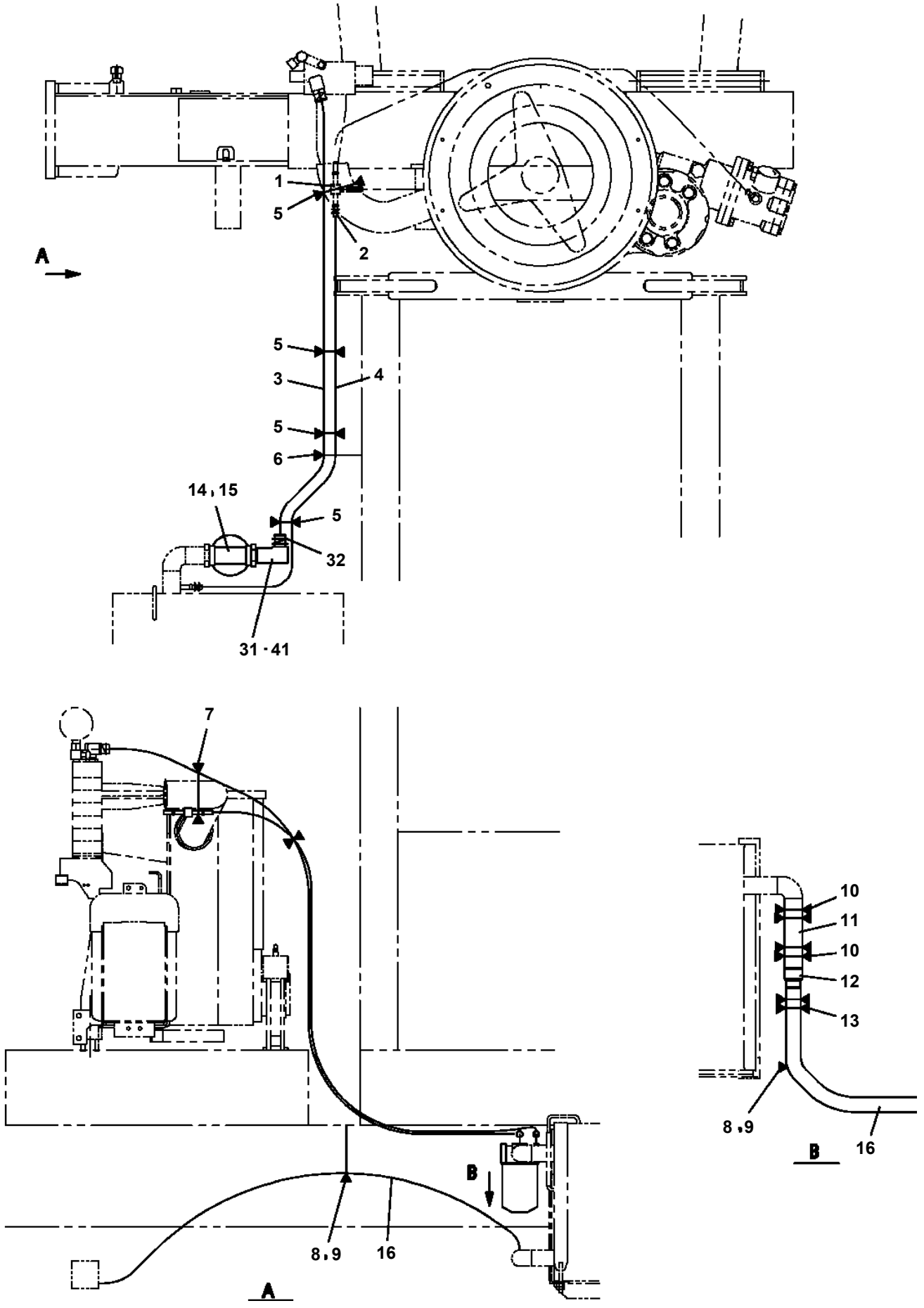
TM-ZR500 31094010461A FRAME/STD,REMOTE-RADIO CONT.,HOOK-IN  
PB1300315-01 JOINT,ROTARY



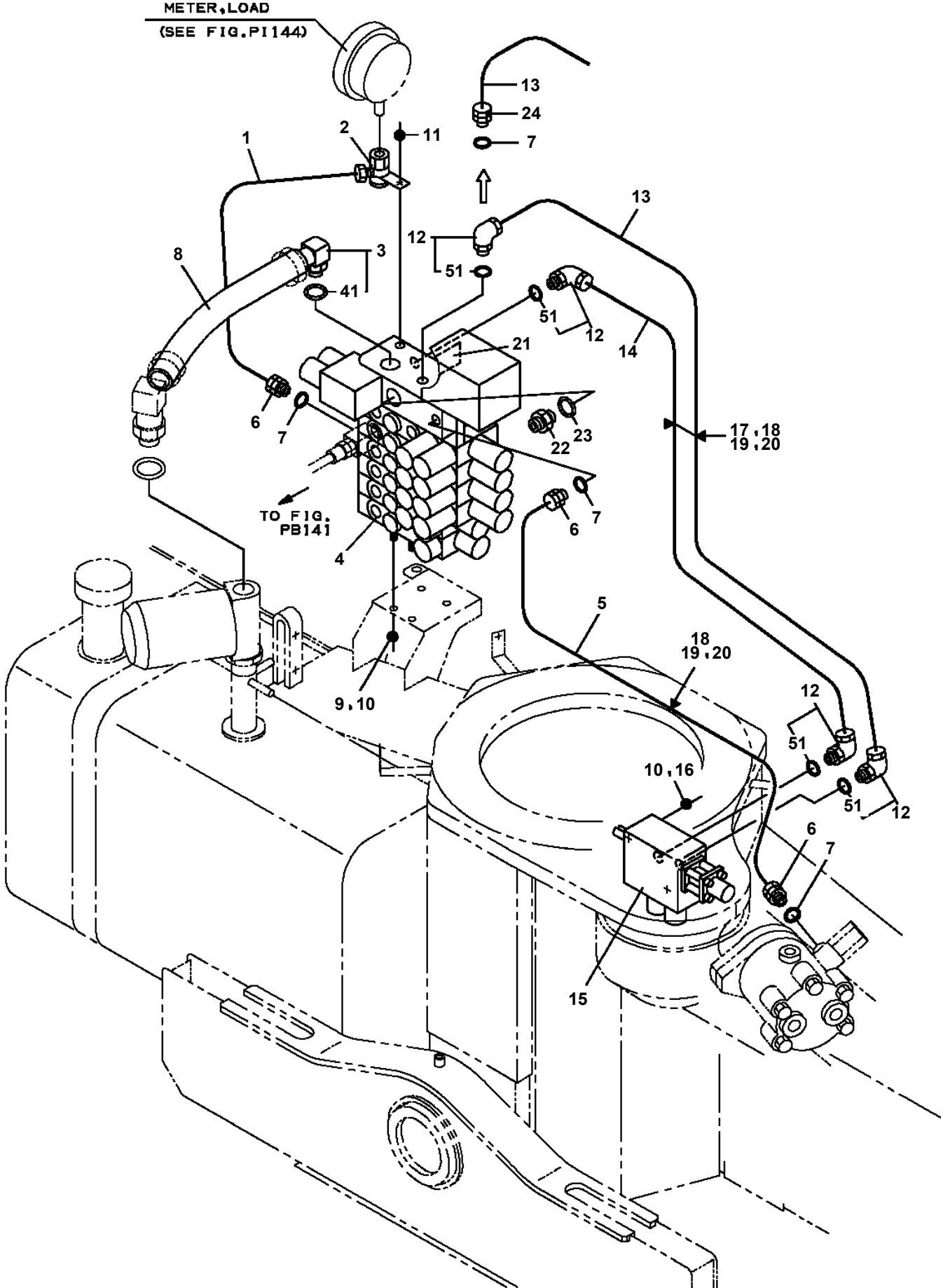
TM-ZR500 31094010461A FRAME/STD,REMOTE-RADIO CONT.,HOOK-IN  
PB1320271-00 VALVE,MANUAL CONTROL (POWER SUPPLY)



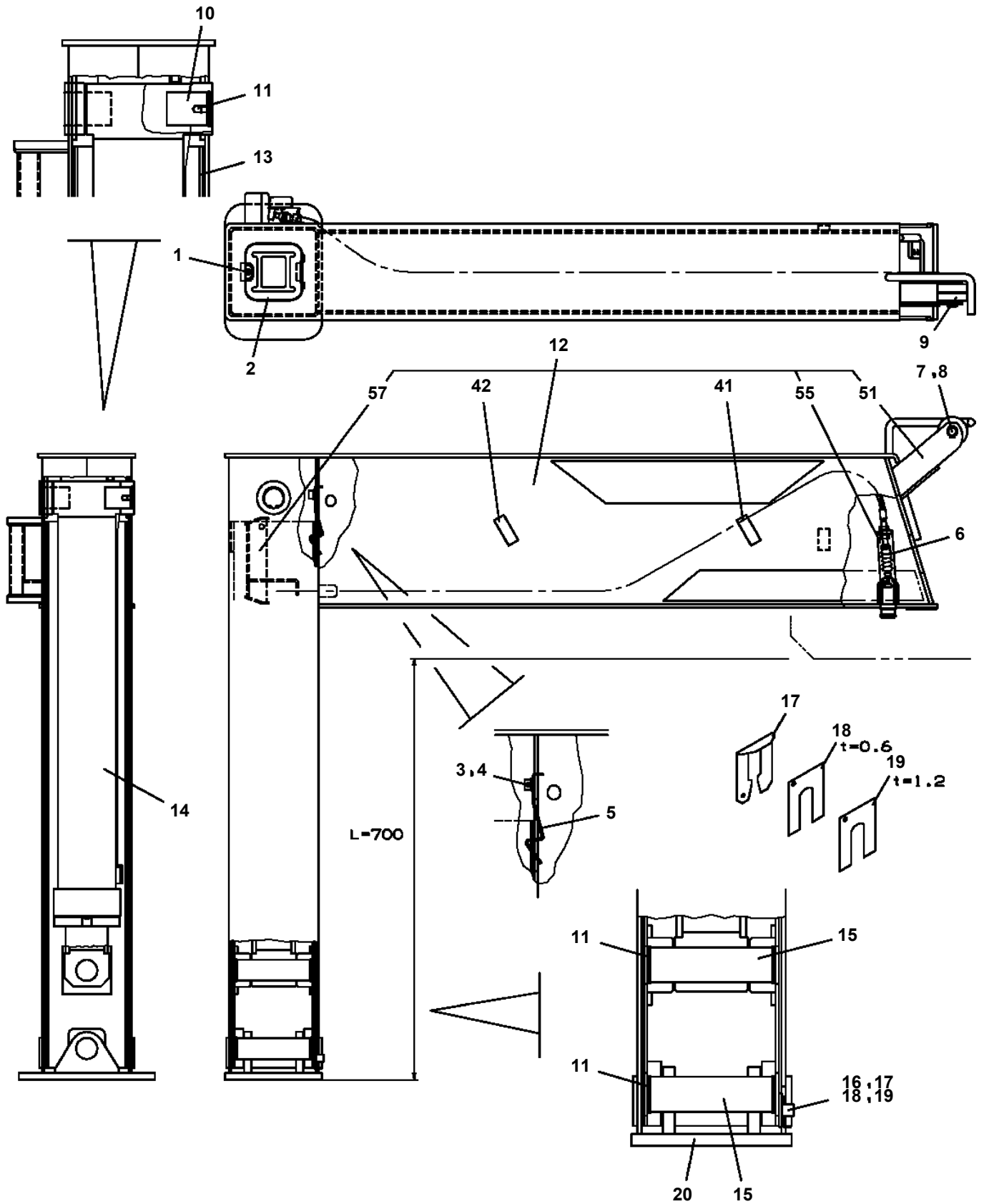
TM-ZR500 31094010461A FRAME/STD,REMOTE-RADIO CONT.,HOOK-IN  
PB1410811-02 PIPING,LOWER (TANK)



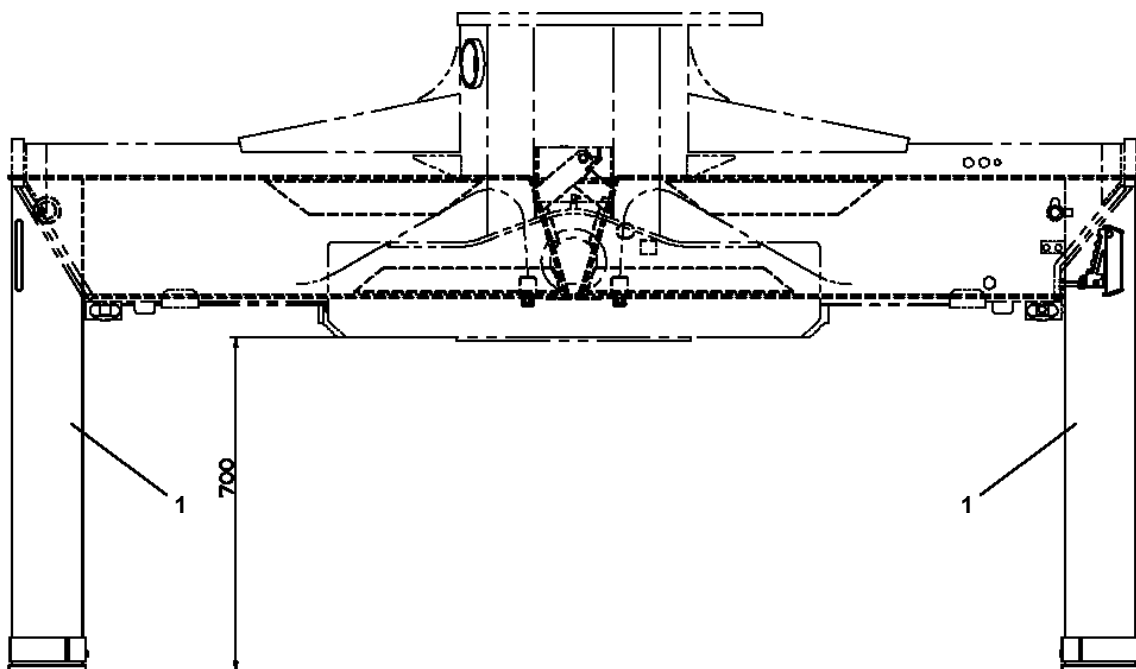
TM-ZR500 31094010461A FRAME/STD,REMOTE-RADIO CONT.,HOOK-IN  
PB1411421-01 PIPING,LOWER (REMOTE CONT.VALVE/NACHI)



TM-ZR500 31094010461A FRAME/STD,REMOTE-RADIO CONT.,HOOK-IN  
PC1010425-03 OUTRIGGER (STD,L=700)



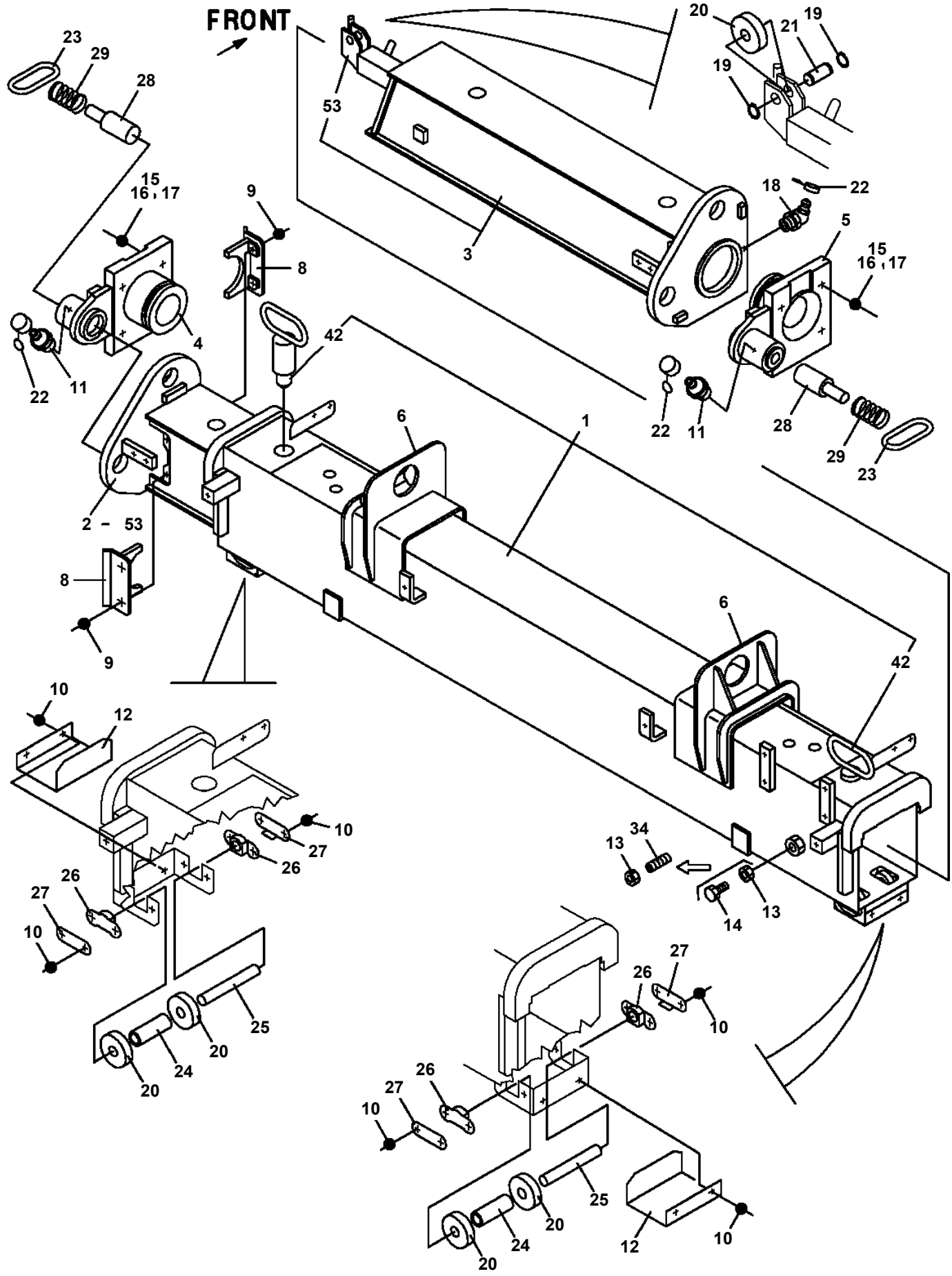
TM-ZR500 31094010461A FRAME/STD,REMOTE-RADIO CONT.,HOOK-IN  
PC1010962-01 OUTRIGGER (MOUNT,L=700)



TM-ZR500 31094010461A FRAME/STD,REMOTE-RADIO CONT.,HOOK-IN  
PC1020046-01 OUTRIGGER,REAR (ROTARY,POWER PACKAGE)

指示番号 KEY NO.	アウトリカ <sup>*</sup> ,リヤ (カイトンシキ,ハ <sup>*</sup> ワーハ <sup>*</sup> ツケーシ <sup>*</sup> ) OUTRIGGER,REAR (ROTARY,POWER PACKAGE)
2	ハ <sup>*</sup> イビ <sup>*</sup> ング <sup>*</sup> ,リヤ シ <sup>*</sup> ヤツキ (1) PIPING,REAR JACK (1)
3	ハイセンASSY ELEC.ASSY
4	フ <sup>*</sup> レートASSY,ネーム PLATE ASSY,NAME
11	アウトリカ <sup>*</sup> ,リヤ OUTRIGGER,REAR
12	シリンダ <sup>*</sup> ,シ <sup>*</sup> ヤツキ CYLINDER,JACK
13	ハ <sup>*</sup> イビ <sup>*</sup> ング <sup>*</sup> ,リヤ シ <sup>*</sup> ヤツキ (2) PIPING,REAR JACK (2)

**TM-ZR500 31094010461A FRAME/STD,REMOTE-RADIO CONT.,HOOK-IN  
PC1020095-02 OUTRIGGER,REAR (FRAME)**



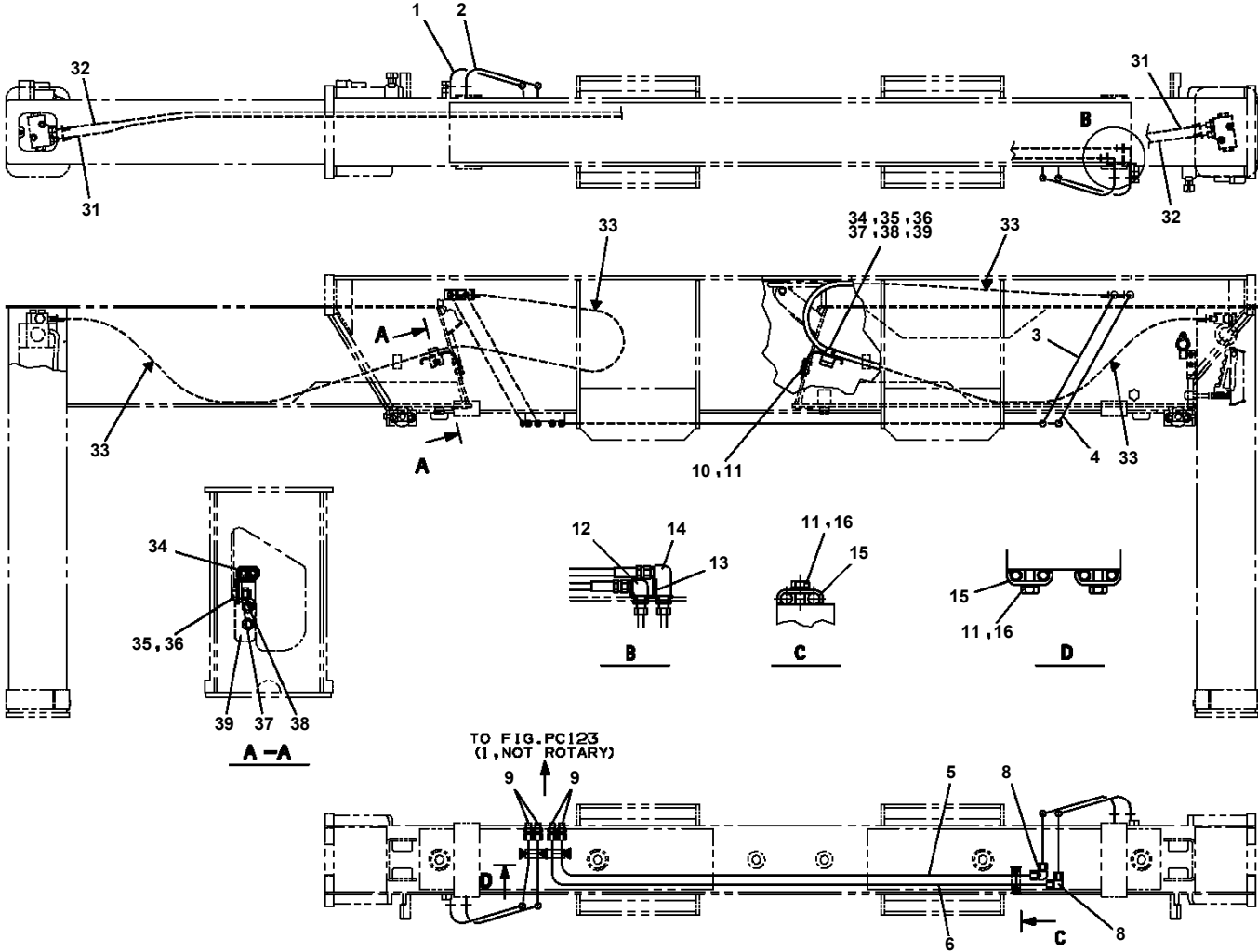
# TM-ZR500 31094010461A FRAME/STD,REMOTE-RADIO CONT.,HOOK-IN

Pos No.	Parts No	Parts Name	Qty	Unit	Technical Data	Serial No (Start)	Serial No (End)
1	91001101000	O-RING	2		1A P10		
2	90172110035	BOLT,HEXAGON SOCKET	2		M10X35		
3	36623930000	VALVE,PILOT CHECK	1				
4	36033640000	CYLINDER ASSY,JACK	1				
5	80491002020	JOINT (WITH O-RING)	2				
21	91002902500	O-RING	1		1B G25		
22	91350206000	BEARING,PLAIN (WITH PACKINGX2)	1				
23	36033643000	PISTON	1				
24	36033642000	ROD	1				
25	36033641000	CYLINDER	1				
26	36013823200	COVER,ROD	1				
27	91002905500	O-RING	1		1B G55		
28	91694004500	PACKING	1				
29	91410204502	RING,BACKUP	1				
30	91660004501	SEAL,DUST	1				
41	36033169910	PACKING SET	1		45X60		
51	91002801100	O-RING	2		1B P11		

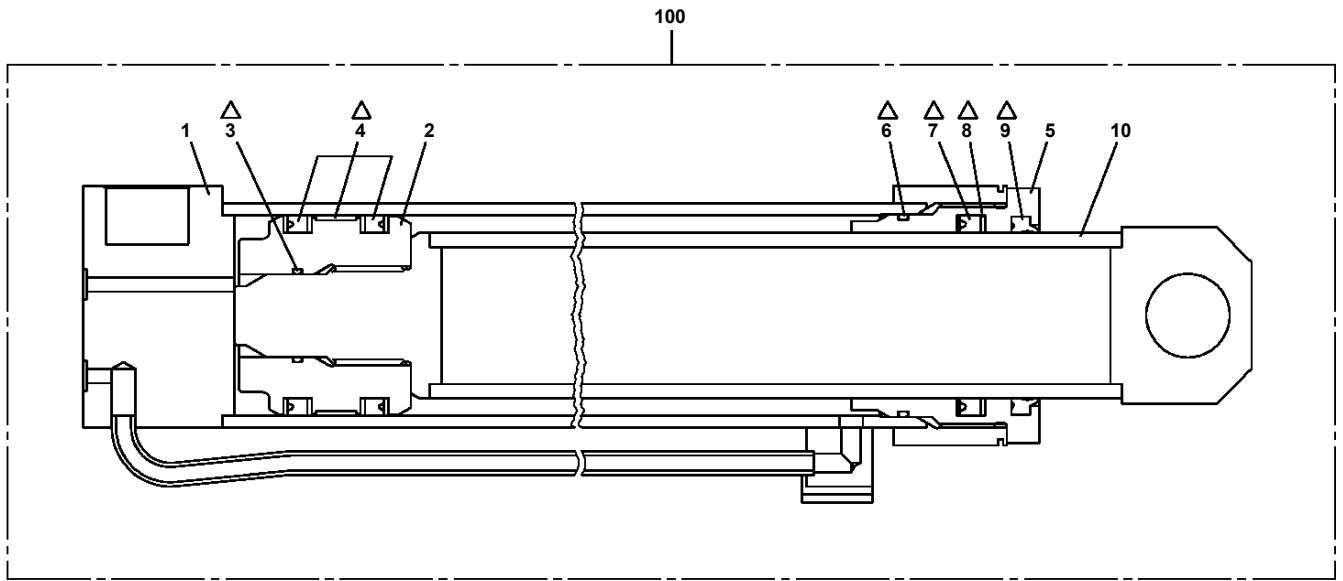
# TM-ZR500 31094010461A FRAME/STD,REMOTE-RADIO CONT.,HOOK-IN

Pos No.	Parts No	Parts Name	Qty	Unit	Technical Data	Serial No (Start)	Serial No (End)	Remarks	Pages
2	31330920700	PLATE	1						
3	31330920800	PIN	1				EW6243		
4	37001201380	SPRING	1						
6	37000161150	PIN	1						
7	80613310060	RING,RITAINING	1		6				
9	80136332020	PIN,SPLIT	1		3.2X20				
10	91810130250	FASTENER	1						
11	31330921100	GRIP	1						
12	90303071401	WASHER,PLAIN	1		14	EW6244			
23	31331610100	PIN	1			EW6244			
32	37001707050	CABLE,CONTROL	1		L=1259				

**TM-ZR500 31094010461A FRAME/STD,REMOTE-RADIO CONT.,HOOK-IN  
PC1230025-00 PIPING,REAR JACK (2,NOT ROTARY)**

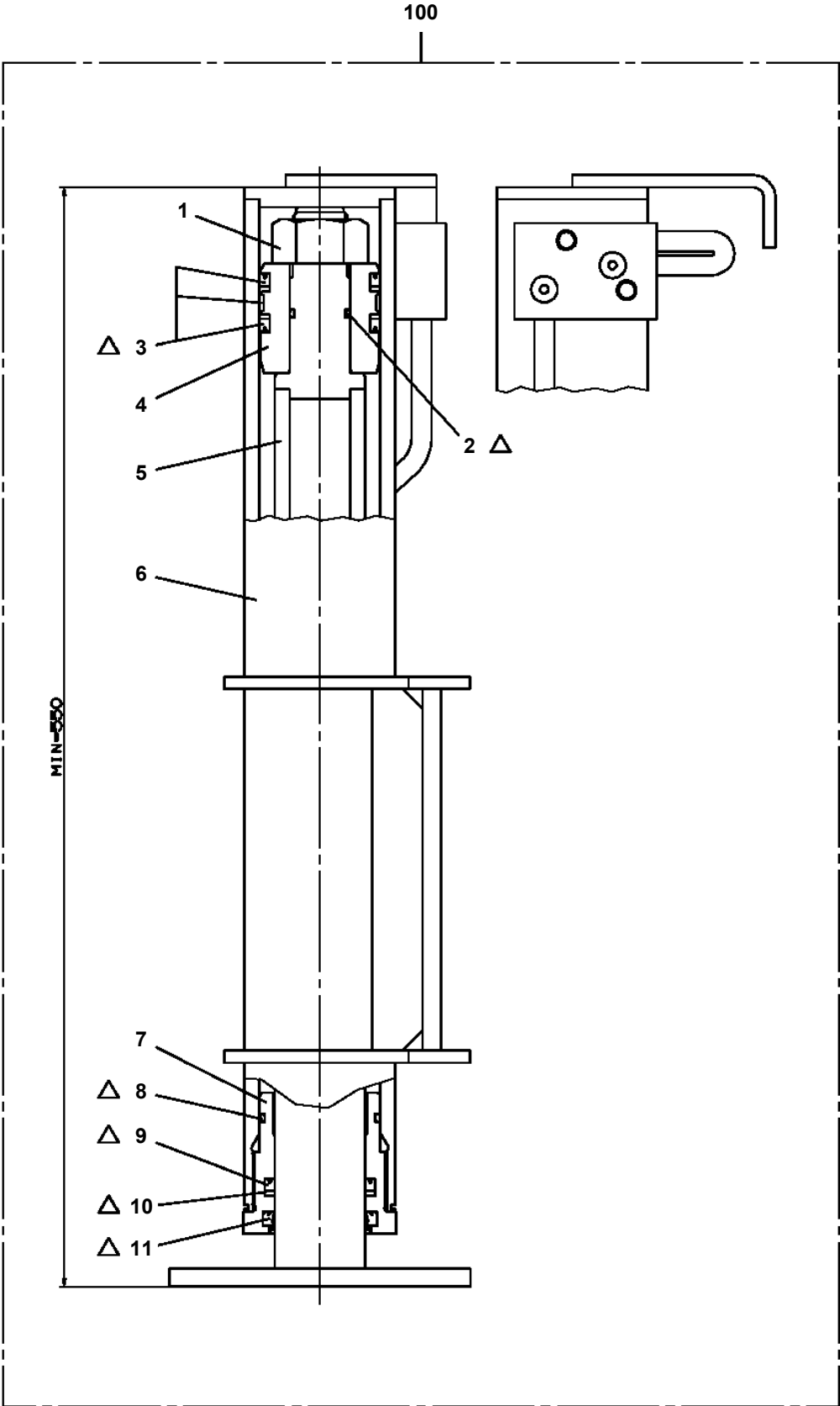


TM-ZR500 31094010461A FRAME/STD,REMOTE-RADIO CONT.,HOOK-IN  
PC6390037-01 CYLINDER ASSY,JACK



Δ:PACKING SET KEY NO.20 (KEY NO.3,4,6,7,8,9)

TM-ZR500 31094010461A FRAME/STD,REMOTE-RADIO CONT.,HOOK-IN  
PC6390047-02 CYLINDER ASSY,JACK (MIN.550)



△:PACKING SET KEY NO.50 (KEY NO.2,3,8,9,10,11)

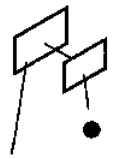
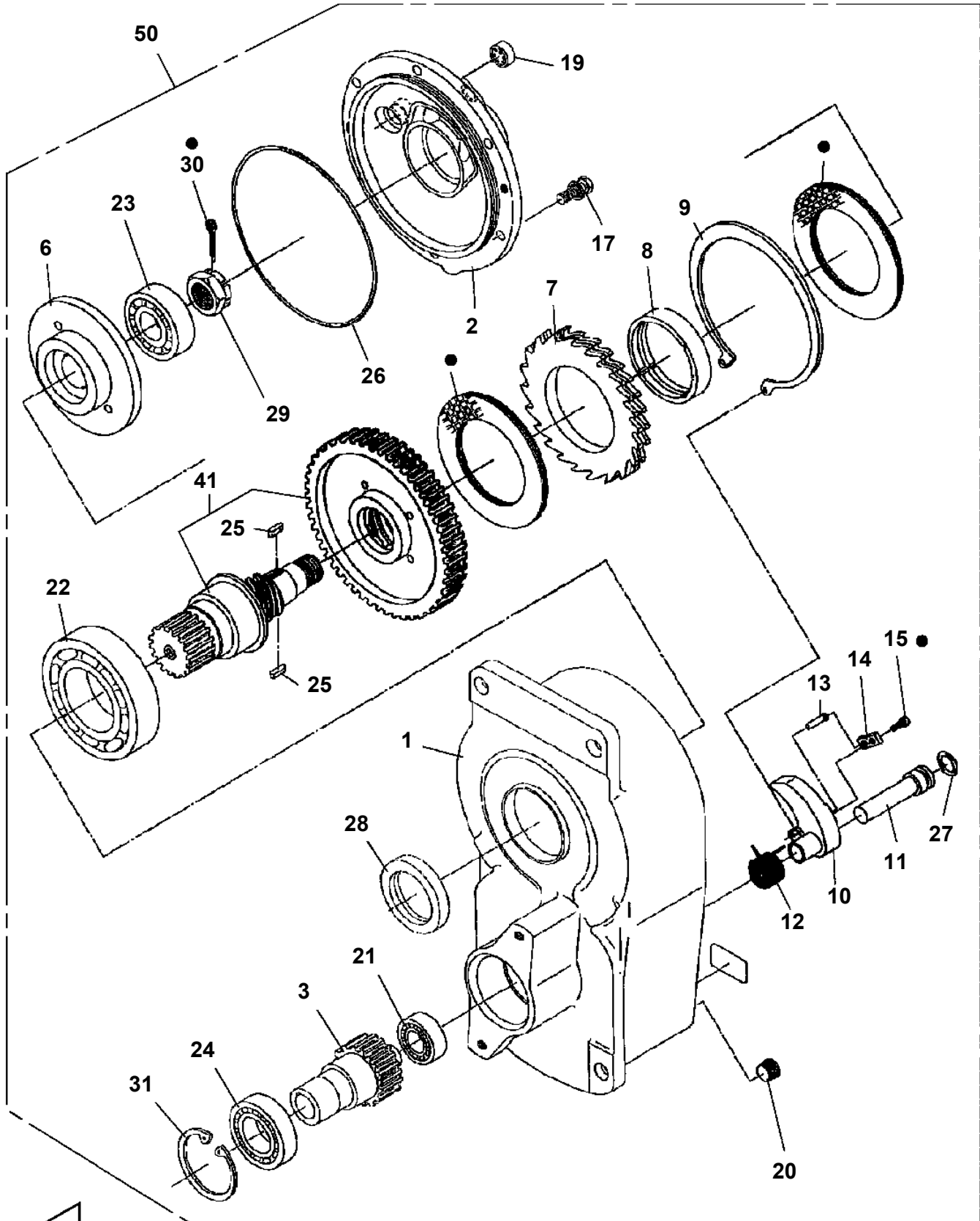
# TM-ZR500 31094010461A FRAME/STD,REMOTE-RADIO CONT.,HOOK-IN

Pos No.	Parts No	Parts Name	Qty	Unit	Technical Data	Serial No (Start)	Serial No (End)
1	91850310405	CLAMP (BLACK)	9				
2	91810130240	FASTENER	18				
3	91810130250	FASTENER	8				
5	31657280200	COVER	2				
6	90186208020	BOLT,FLANGE	8		M8X20		
7	90280200800	NUT,FLANGE	8		M8		
8	31653470100	SUPPORT	1				
9	31653470200	SUPPORT	1				
10	90186206010	BOLT,FLANGE	11		M6X10		EW6111
	90186206010	BOLT,FLANGE	15		M6X10	EW6112	
11	31611822200	HARNESS	1		L=13000		
12	82100001371	TERMINAL	2				EW6111
	82100001371	TERMINAL	1			EW6112	
13	82100001227	INSULATOR	2				EW6111
	82100001227	INSULATOR	1			EW6112	
14	31478092100	HARNESS	1				
15	31611822400	COVER	1				EW6111
16	31611822300	COVER	1				EW6111
17	82100000192	TERMINAL	2				EW6111
	82100000192	TERMINAL	1			EW6112	
18	82100000182	INSULATOR	2				EW6111
	82100000182	INSULATOR	1			EW6112	
19	31478092200	HARNESS	1		L=100		EW6111
20	82100002674	CONNECTOR (1.25-2)	1				EW6111
21	90280200600	NUT,FLANGE	1		M6		EW6111
22	31931800100	RELAY ASSY	1				EW6111
23	82100000191	TERMINAL	1				EW6111
24	82100000183	INSULATOR	1				EW6111
25	82100001039	TERMINAL	1				EW6111
26	82100001220	INSULATOR	2				EW6111
27	82100000865	TERMINAL	1				EW6111
28	31478092400	COVER ASSY	1			EW6112	
29	31478092600	HARNESS	1			EW6112	
35	31478092300	COVER ASSY	1			EW6112	EW6310
36	31478092500	COVER	1			EW6112	
37	31478092301	COVER ASSY	1			EW6311	
41	31653322200	SWITCH ASSY (WITH HARNESS,2-SW)	2				
42	82199514013	CAP	4				
43	82199504017	NUT	4		AT-401N		
44	31656331100	SUPPORT	2				EW8172
	31657282100	SUPPORT	2			EW8173	
45	31656331200	PLATE,NAME	2				

# TM-ZR500 31094010461A FRAME/STD,REMOTE-RADIO CONT.,HOOK-IN

Pos No.	Parts No	Parts Name	Qty	Unit	Technical Data	Serial No (Start)	Serial No (End)	Remark
1	31505222100	ALARM ASSY (ASSY ONLY)	1				PA2302	
	31505222101	ALARM ASSY (ASSY ONLY)	1			PA2303		
2	31475352100	PLATE,NAME	1					
3	31477472200	RELAY ASSY	1					
4	31380174000	LAMP ASSY (ASSY ONLY)	1					
5	82100000191	TERMINAL	1					
6	82100000183	INSULATOR	1					
7	91810130240	FASTENER	10					
8	82115001002	CONNECTOR	7					
9	82100001400	TERMINAL	7					
10	31476362700	PLATE,CAUTION	1					
11	31380292600	SUPPORT	1					
12	80172305020	SCREW,MACHINE	2		M5X20			
13	90302040501	WASHER,SPRING	2		5			
14	90303070501	WASHER,PLAIN	2		5			
15	31477472300	HARNESS	3		L=1000			
16	82100001220	INSULATOR	7					
17	31504322200	RELAY ASSY	1					
18	31475982400	DIODE ASSY	1					
19	90928040101	SCREW,TAPPING	3		M4X10			
20	82115001005	CONNECTOR	7					

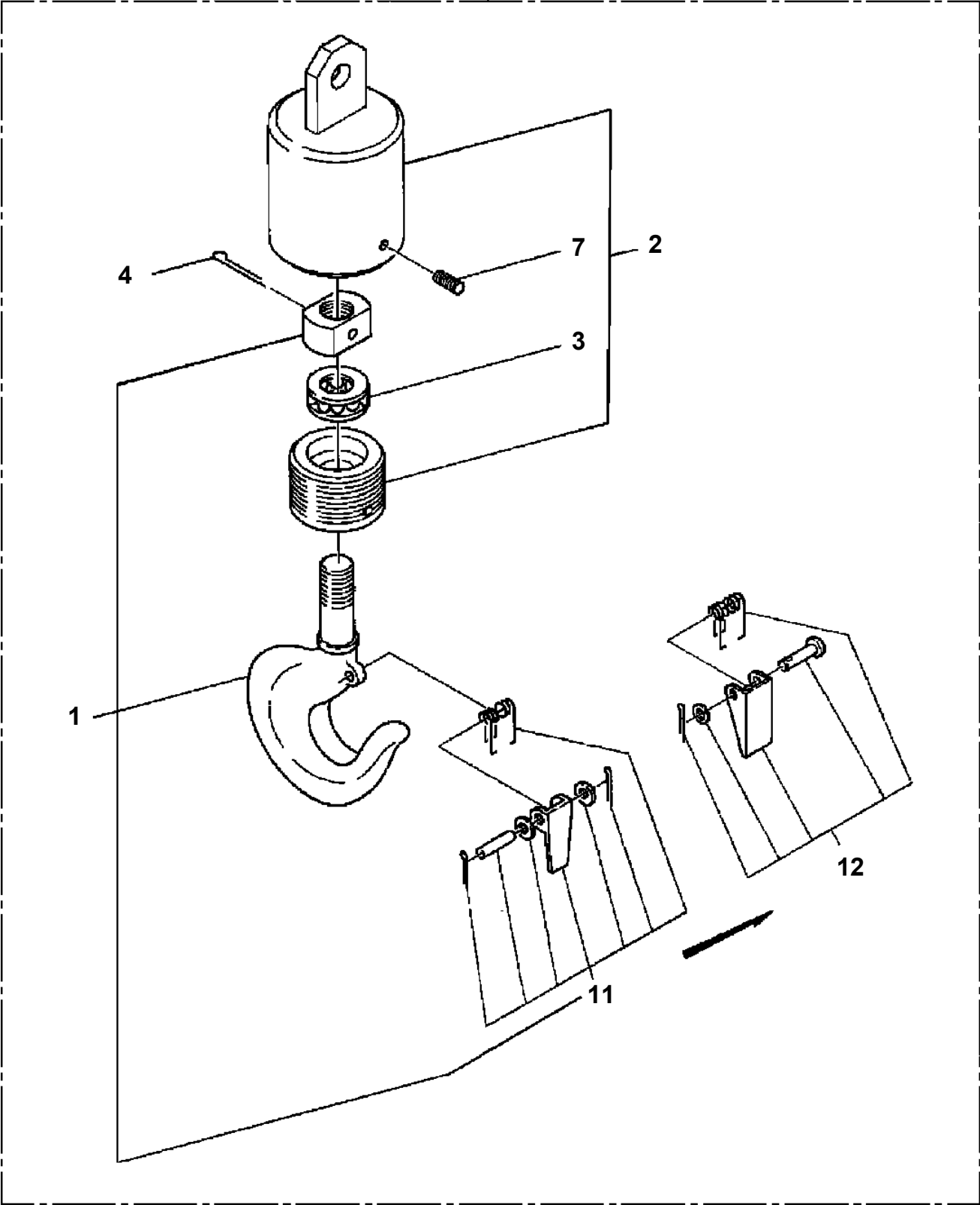
**TM-ZR500 31094010461A FRAME/STD,REMOTE-RADIO CONT.,HOOK-IN  
PF1010237-01 WINCH (OOKUBO)**



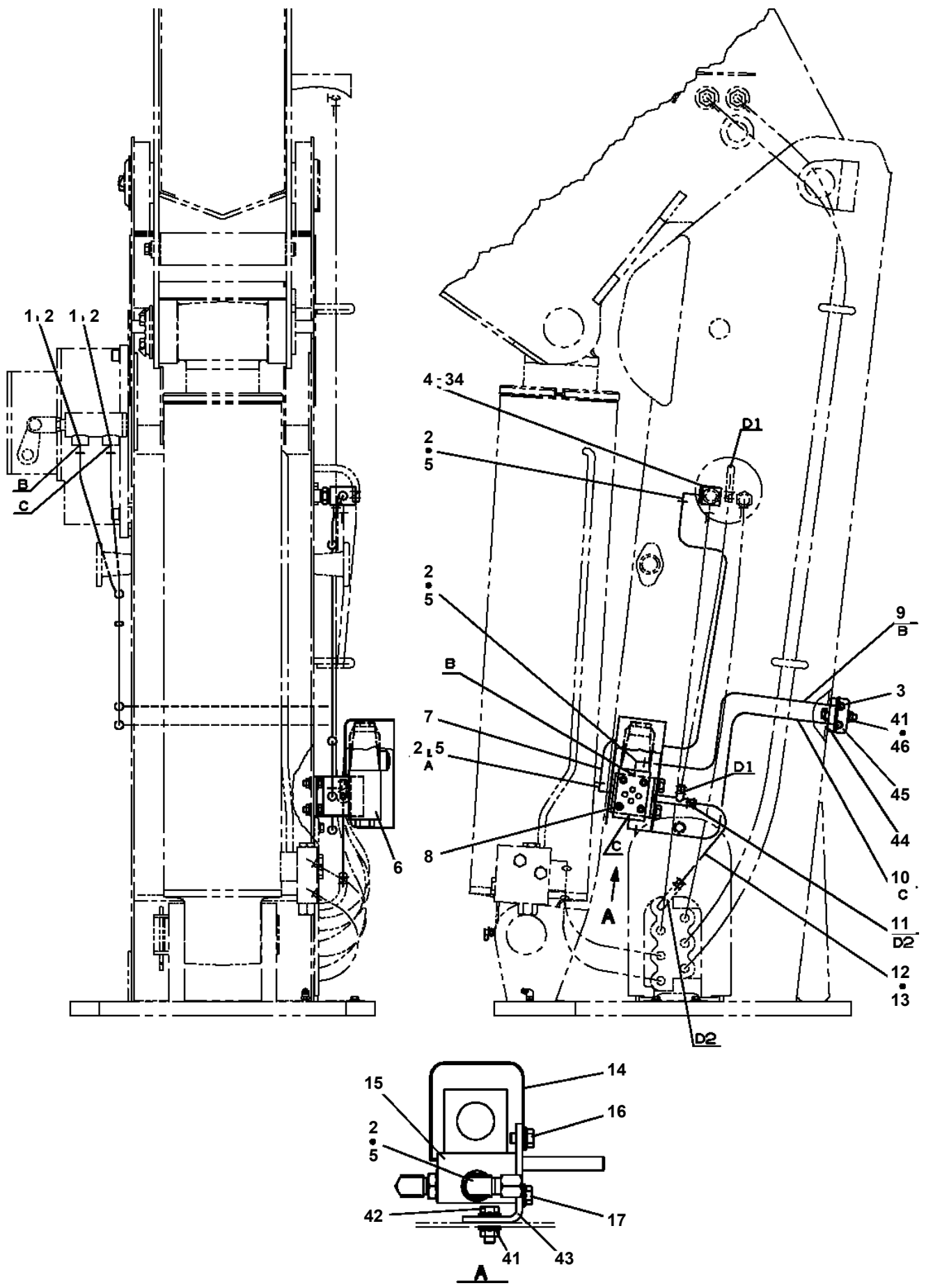
- Protective seal
- Replacement interval name plate
- : FACING KIT KEY NO.101 ( JAPANESE )
- : FACING KIT KEY NO.102 ( ENGLISH )

TM-ZR500 31094010461A FRAME/STD,REMOTE-RADIO CONT.,HOOK-IN  
PF1050161-03 HOOK (1-PART LINE ,OPTION)

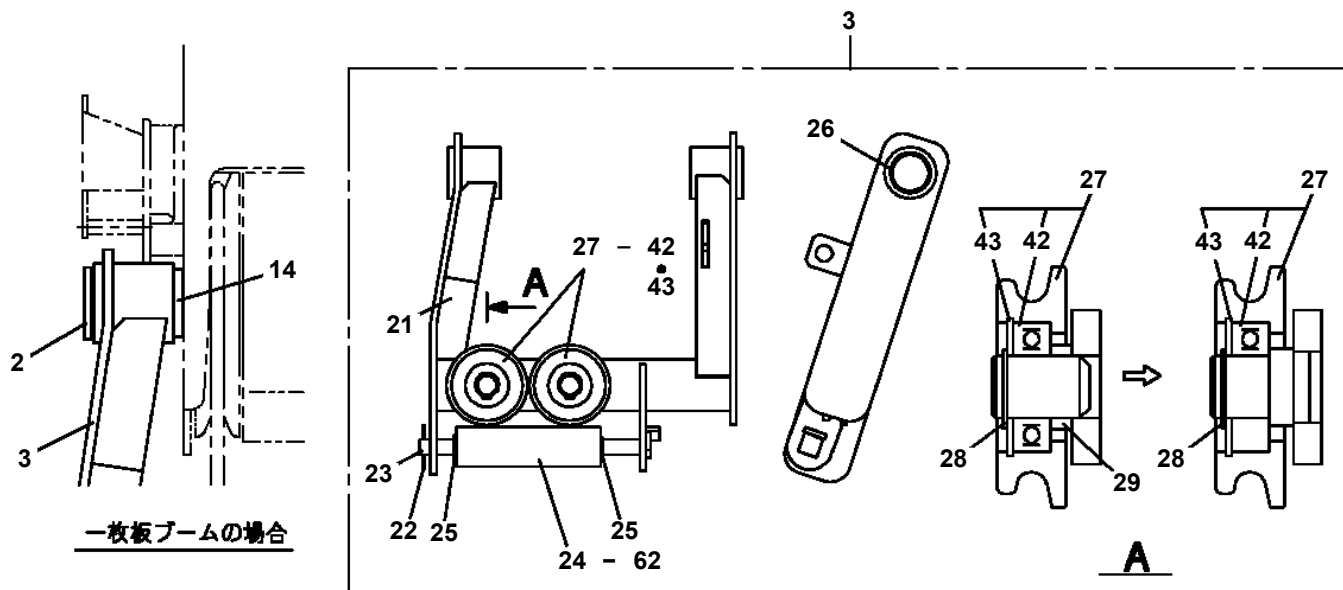
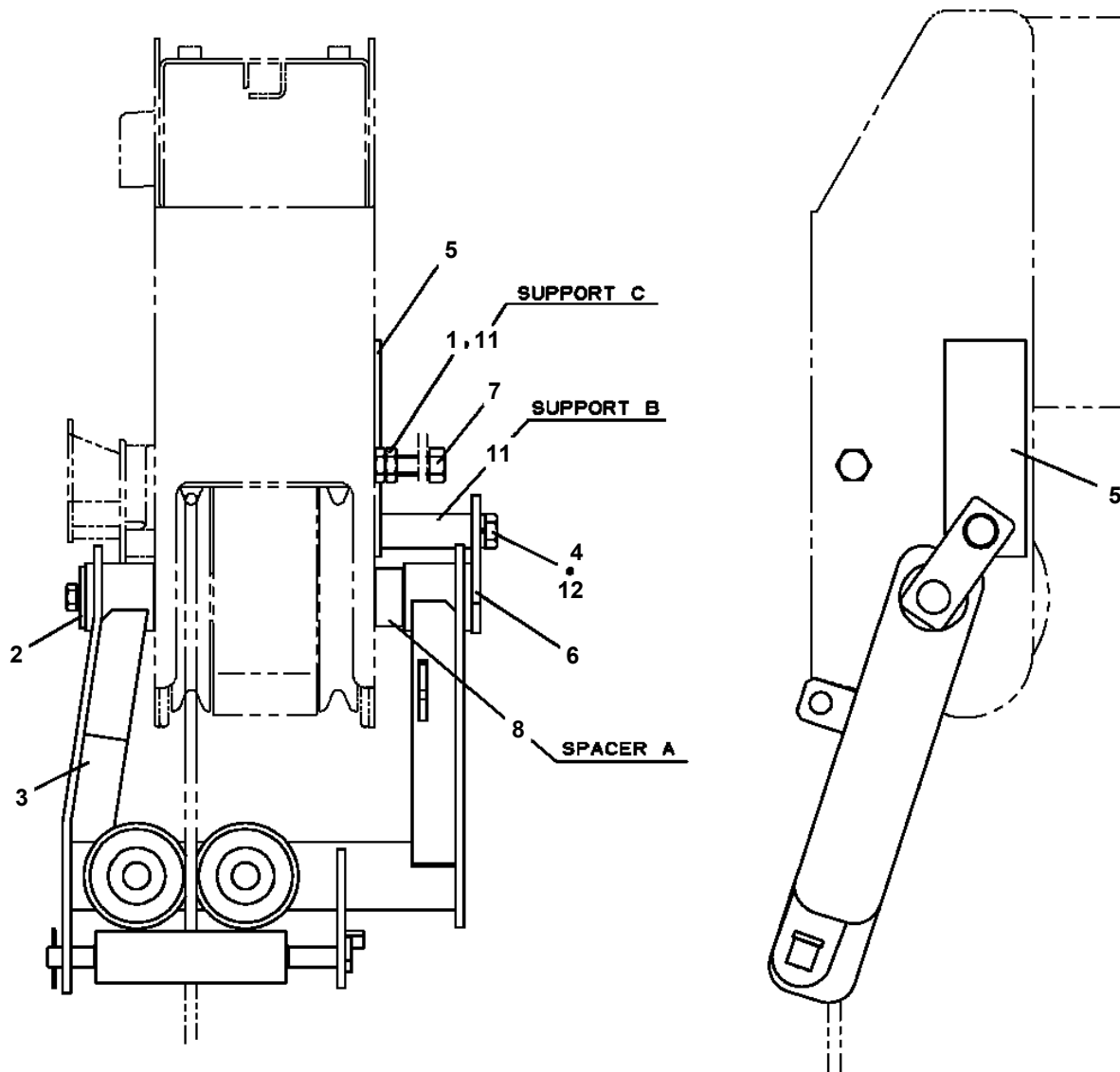
20



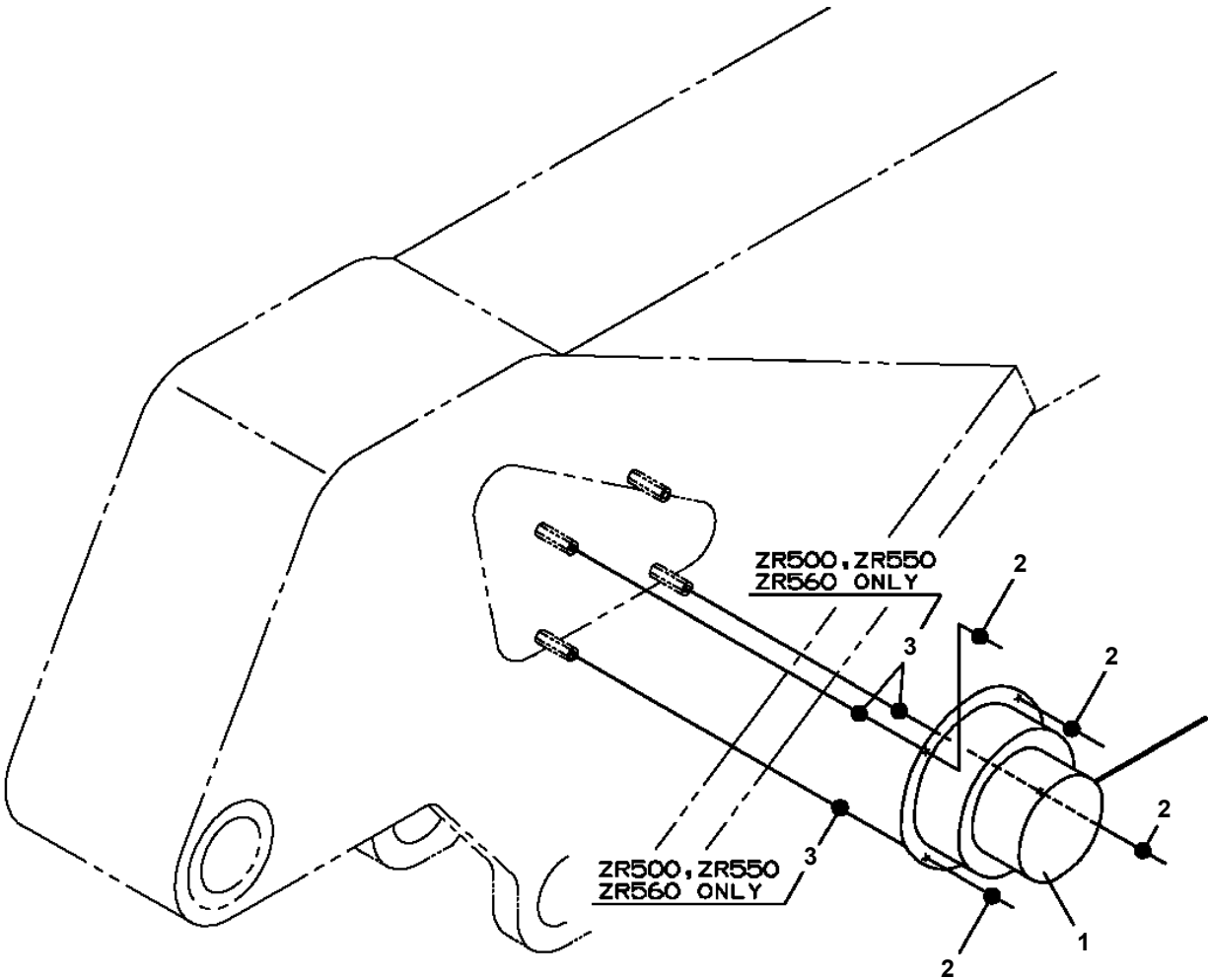
**TM-ZR500 31094010461A FRAME/STD,REMOTE-RADIO CONT.,HOOK-IN  
PF1200292-00 PIPING,WINCH (DRUM FREE)**



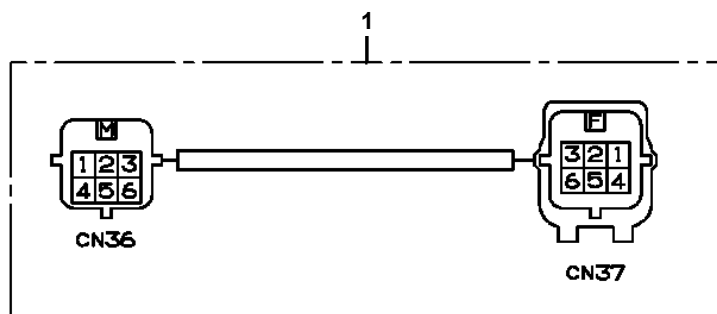
TM-ZR500 31094010461A FRAME/STD,REMOTE-RADIO CONT.,HOOK-IN  
 PG1020003-06 GUIDE,ROPE (RETAINING WIRE ROPE,1-PART)



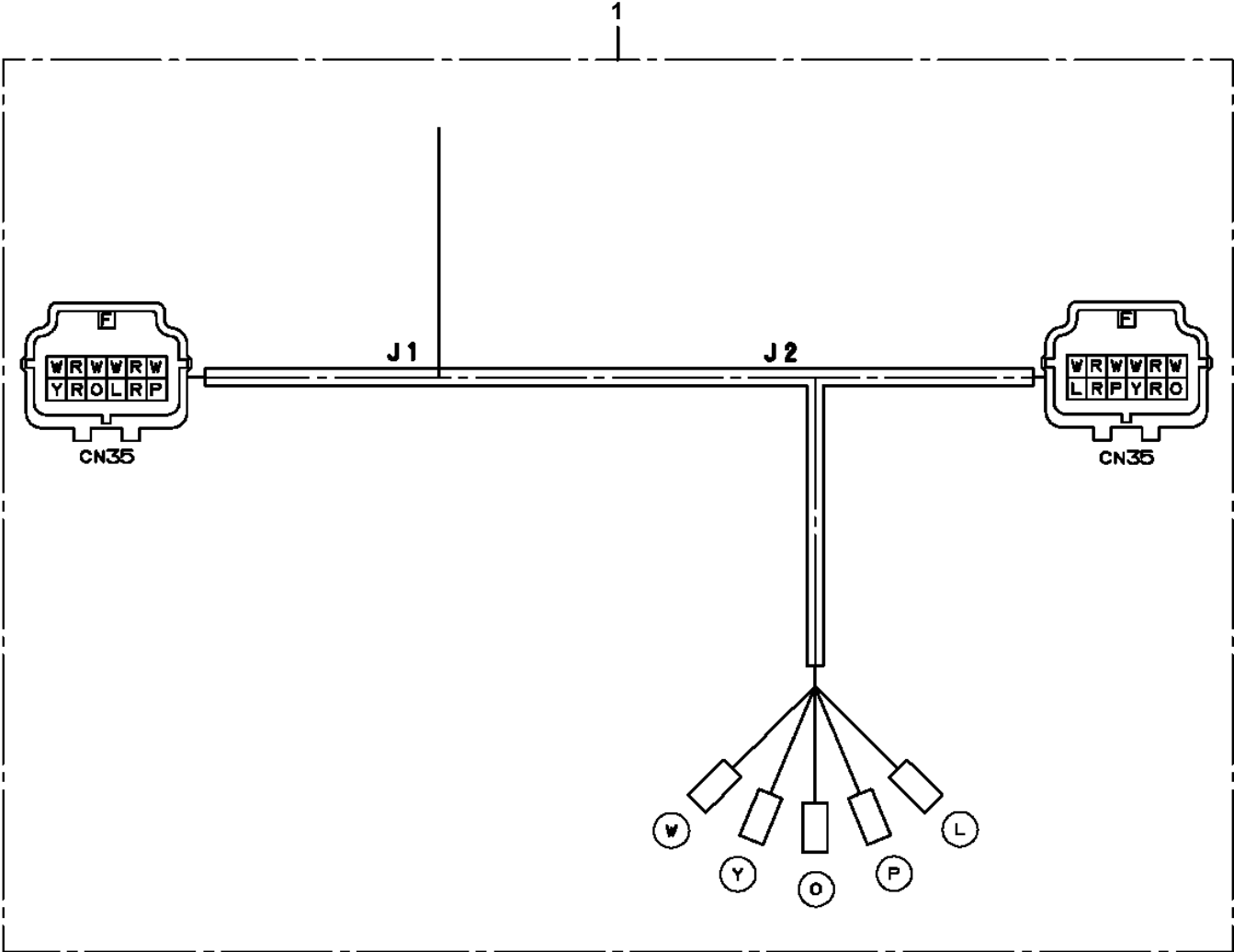
**TM-ZR500 31094010461A FRAME/STD,REMOTE-RADIO CONT.,HOOK-IN  
PG1130145-01 DETECTOR,BOOM LENGTH (MOUNT)**



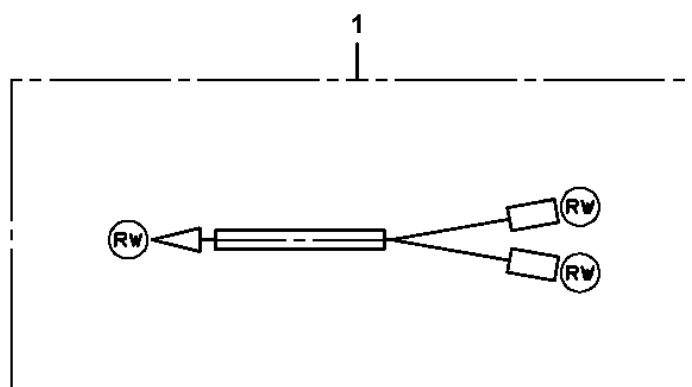
**TM-ZR500 31094010461A FRAME/STD,REMOTE-RADIO CONT.,HOOK-IN  
PH5030655-00 HARNESS**



TM-ZR500 31094010461A FRAME/STD,REMOTE-RADIO CONT.,HOOK-IN  
PH5031732-00 HARNESS



TM-ZR500 31094010461A FRAME/STD,REMOTE-RADIO CONT.,HOOK-IN  
PH5033590-00 HARNESS



CLICK HERE TO **DOWNLOAD** THE COMPLETE MANUAL

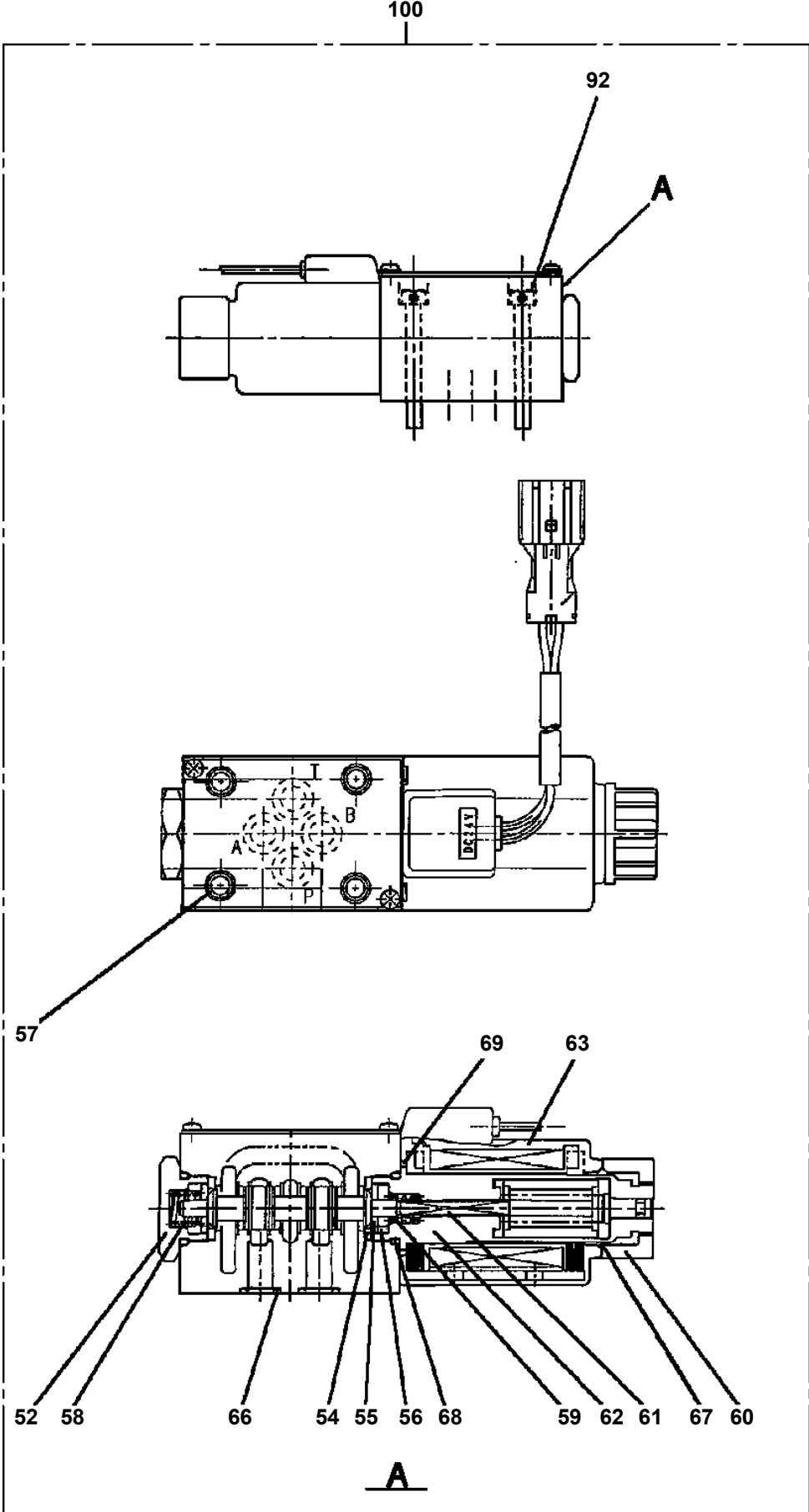
- Thank you very much for reading the preview of the manual.
- You can download the complete manual from: [www.heydownloads.com](http://www.heydownloads.com) by clicking the link below



- Please note: If there is no response to CLICKING the link, please download this PDF first and then click on it.

CLICK HERE TO **DOWNLOAD** THE COMPLETE MANUAL

TM-ZR500 31094010461A FRAME/STD,REMOTE-RADIO CONT.,HOOK-IN  
PI1120196-03 VALVE,SOLENOID



# TM-ZR500 31094010461A FRAME/STD,REMOTE-RADIO CONT.,HOOK-IN

Pos No.	Parts No	Parts Name	Qty	Unit	Technical Data	Serial No (Start)	Serial No (End)	Remarks	Pa
2	91002801400	O-RING	2		1B P14				
6	91002800700	O-RING	1		1B P7				
50	36623930000	VALVE,PILOT CHECK	1						

# TM-ZR500 31094010461A FRAME/STD,REMOTE-RADIO CONT.,HOOK-IN

Pos No.	Parts No	Parts Name	Qty	Unit	Technical Data	Serial No (Start)	S
1	36682430000	METER,LOAD (2.9TON NAGANO/ENG.& JAPANESE)	1				



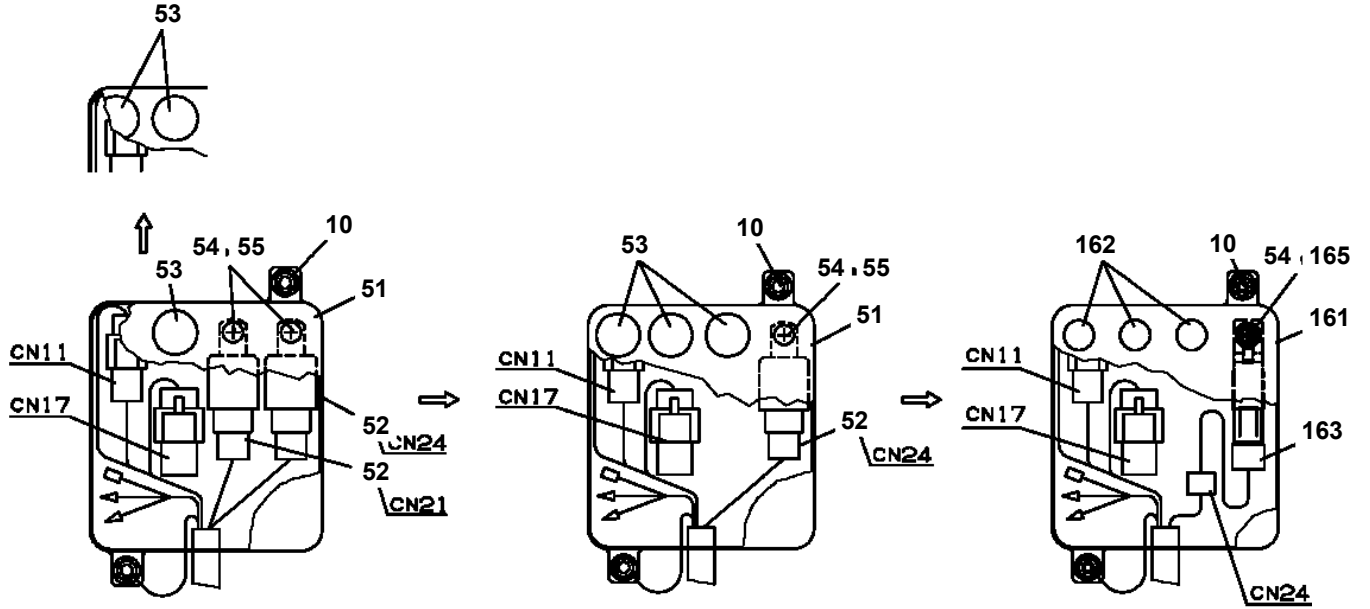
# TM-ZR500 31094010461A FRAME/STD,REMOTE-RADIO CONT.,HOOK-IN

Pos No.	Parts No	Parts Name	Qty	Unit	Technical Data	Serial No (Start)	S
1	(*****)	FRAME	1				
2	(*****)	TANK,OIL (MOUNT)	1				
3	(*****)	SWING UNIT	1				
4	(*****)	COVER,BEARING	1				
5	31631680000	JOINT,ROTARY	1				
6	(*****)	STOPPER,ROTARY JOINT	1				
7	(*****)	SWING FRAME	1				
8	31241060000	CYLINDER,ELEVATING	1				
9	(*****)	MOUNT,WINCH	1				
10	(*****)	PIPING,UPPER	1				
11	(*****)	OPE.ASSY,CONT.VALVE (CRANE)	1				
21	(*****)	PIPING,LOWER	1				
22	(*****)	PIPING,LOWER (REMOTE CONT.VALVE/SANWA)	1				
	(*****)	PIPING,LOWER (REMOTE CONT.VALVE/NACHI)	1				
24	(*****)	ELEC.ASSY	1				
25	(*****)	ELEC.ASSY (SWITCH COVER)	1				
27	36682420000	METER,LOAD (2.9TON KUSABA/ENG.& JAPANESE)	1				
	36682430000	METER,LOAD (2.9TON NAGANO/ENG.& JAPANESE)	1				
29	(*****)	OUTRIGGER (MOUNT,L=590)	1				
	(*****)	OUTRIGGER (MOUNT,L=700)	1				
33	(*****)	DETECTOR,DISORDERLY WINDING	1				

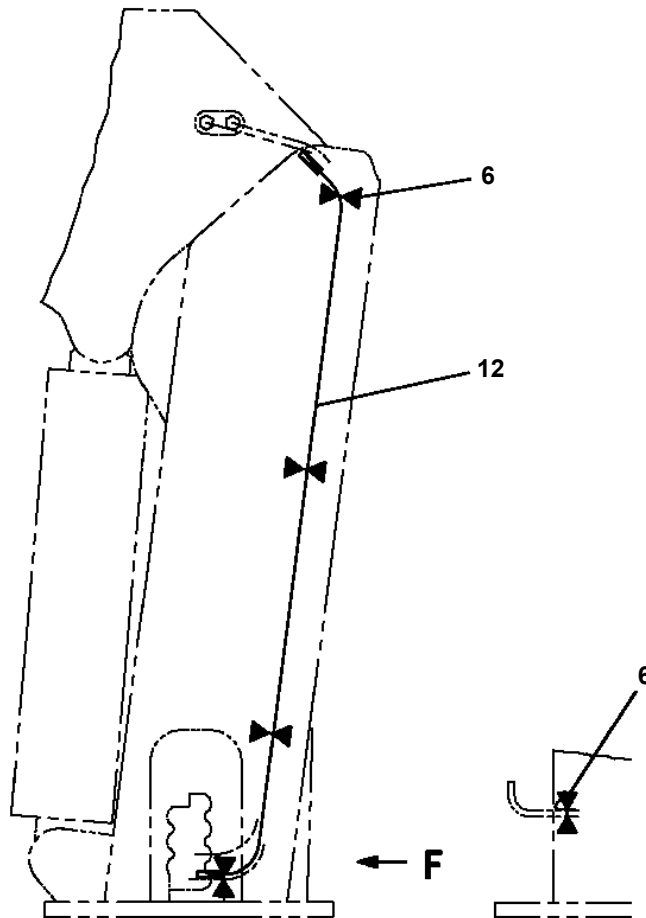
# TM-ZR500 31094010461A FRAME/STD,REMOTE-RADIO CONT.,HOOK-IN

Pos No.	Parts No	Parts Name	Qty	Unit	Technical Data	Serial No (Start)	Serial No (End)	Remarks	Pages
1	90171110016	BOLT	4		M10X16				
2	90302041001	WASHER,SPRING	4		10				
4	37000105610	PIN	21		L=18				
5	80620210050	PIN,SNAP	22						
6	31323630200	ROD ASSY	1						
7	37000164930	PIN	1						
8	31322224200	PLATE	7		L=1				
9	80136840020	PIN,SPLIT	2		4X20				
10	31323140450	LEVER	1						
11	31323140350	LEVER	1						
12	31323140250	LEVER	1						
13	31323140150	LEVER	1						
14	31323330100	KNOB (BLACK)	3						
15	31323330200	KNOB (RED)	1						
16	90101210050	BOLT	1		M10X50				
17	37000147840	PIN	1						
18	31323630300	ROD ASSY	1						
19	31323144200	SUPPORT	1						
20	90186208040	BOLT,FLANGE	1		M8X40				
21	37000311660	SPACER	3		L=19				
22	31323144300	LINK	1						
23	37000311490	SPACER	1		L=20				
25	90303071201	WASHER,PLAIN	1		12				
26	37002220460	PLATE,NAME	1						
27	37002220470	PLATE,NAME	1						
28	37002220480	PLATE,NAME	1						
29	37002220490	PLATE,NAME	2						
30	37002220530	PLATE,NAME	1						
31	37002220540	PLATE,NAME	1						
32	37002220550	PLATE,NAME	1						
33	31270212000	CAP	1						
41	31323301100	SUPPORT	1						
42	31322031150	SUPPORT	1						
43	90186208010	BOLT,FLANGE	2		M8X10				
44	90102208035	BOLT	1		M8X35				
45	31323330200	KNOB (RED)	1						
46	31323330100	KNOB (BLACK)	3						
47	31323141850	LEVER	1						
48	31323140350	LEVER	1						
49	31323140250	LEVER	1						
50	31323140150	LEVER	1						
51	37000175340	PIN	1						
52	80136840020	PIN,SPLIT	3		4X20				
53	31322224200	PLATE	7		L=1				
55	80824001206	BEARING,PLAIN	2						
56	90201200800	NUT	1		M8				
57	37000311190	SPACER	1		L=16				
58	31323141201	LINK	1						
59	90303071201	WASHER,PLAIN	2		12				
71	31323630250	ROD	1						
72	90203200800	NUT	2		M8				
73	31320810210	END	2						
81	31323630350	ROD	1						
103	80620210120	PIN,SNAP	1						
104	31323141350	ROLLER	1						
121	31323141251	LINK	1						
122	31323141301	PIN	1						
125	37000311480	SPACER	1		L=10				

TM-ZR500 31094010461A FRAME/STD,REMOTE-RADIO CONT.,HOOK-IN  
 PN1012302-10 ELEC.ASSY



E



ポスト部配線  
 WIRING IN POST

F

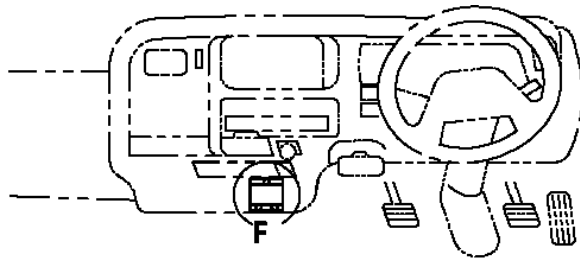
# TM-ZR500 31094010461A FRAME/STD,REMOTE-RADIO CONT.,HOOK-IN

Pos No.	Parts No	Parts Name	Qty	Unit	Technical Data	Serial No (Start)	Serial No (End)	Remarks	Pages
1	91850310305	CLAMP	8						
2	91810130240	FASTENER	14						
3	31473472100	HARNES (RED)	1		L=3000		EW7961		
	31501812100	HARNES	1		L=3000	EW7962			
4	31473460300	HARNES (RED)	1		L=1600				
5	32200156090	SUPPORT	5						
6	36160670000	REEL,CORD	1				EW7224		00018
	36161770000	REEL ASSY,CORD	1			EW7225	EW7961		00022
	36161700000	REEL ASSY,CORD	1			EW7962			00022
7	31650690200	PLATE	2		T=9				
8	90186206010	BOLT,FLANGE	5		M6X10				
9	82165904030	LAMP	1		24V 45W				
10	90280201000	NUT,FLANGE	1		M10				
11	90813108020	BOLT,WING	1		M8X20				
12	90309331201	WASHER	2		L12				
13	90303071201	WASHER,PLAIN	1		12				
14	90236201200	NUT,CASTLE	1		2H M12				
15	80136325025	PIN,SPLIT	1		2.5X25				
16	31650690500	LEVER	1						
17	31650690400	SUPPORT	1						
18	90280200600	NUT,FLANGE	1		M6				
19	31477322100	SUPPORT	1						
20	82100000191	TERMINAL	1						
21	82100000183	INSULATOR	1						
31	82100002850	LENS	1						
32	82166025550	BULB,LAMP	1		24V 45W				

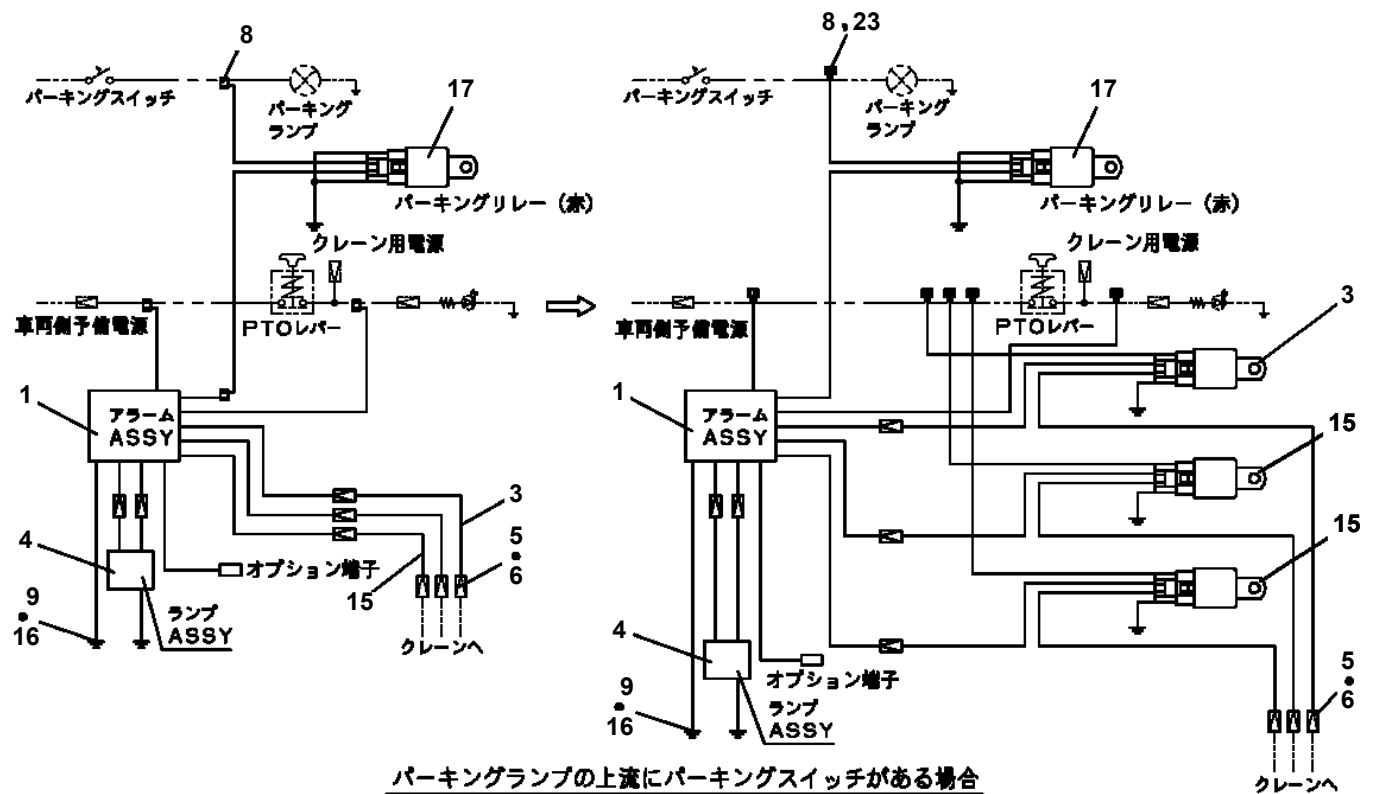
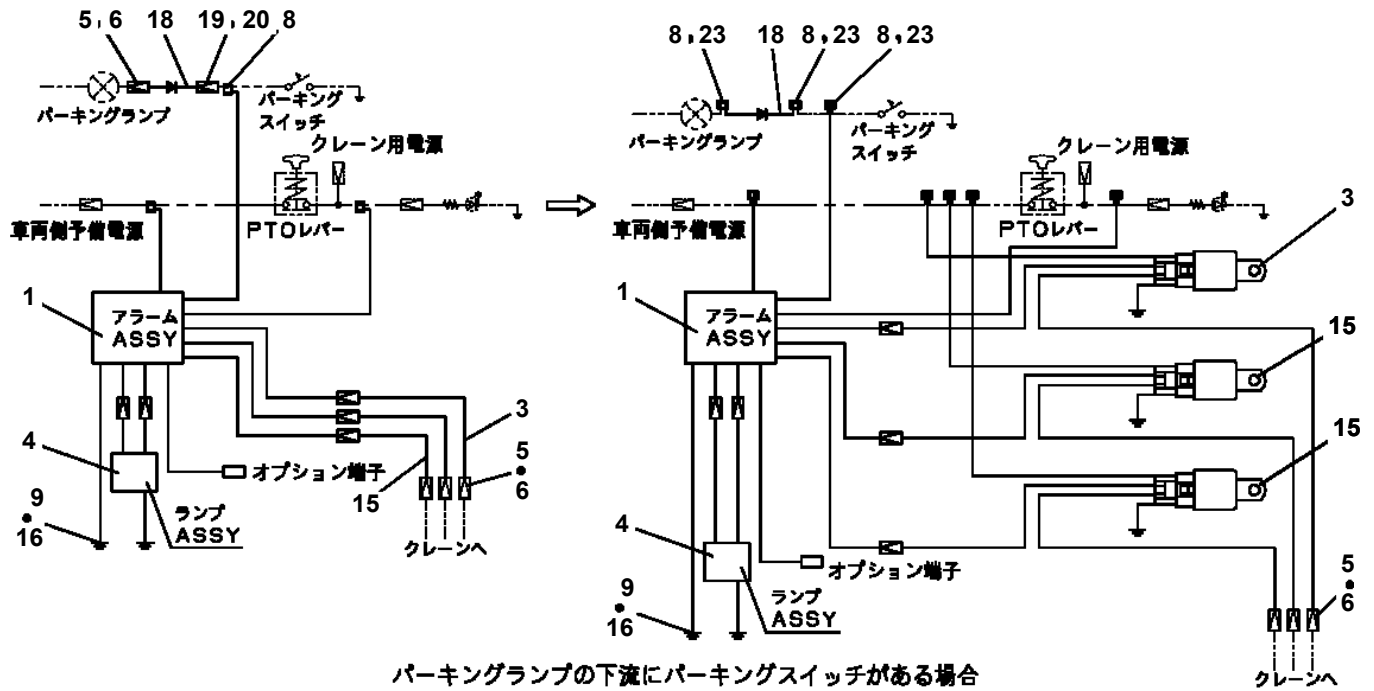
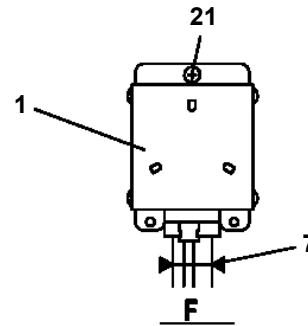
# TM-ZR500 31094010461A FRAME/STD,REMOTE-RADIO CONT.,HOOK-IN

Pos No.	Parts No	Parts Name	Qty	Unit	Technical Data	Serial No (Start)	Serial No (End)	Remarks	Pages
1	31361312100	HARNESS	1						000135

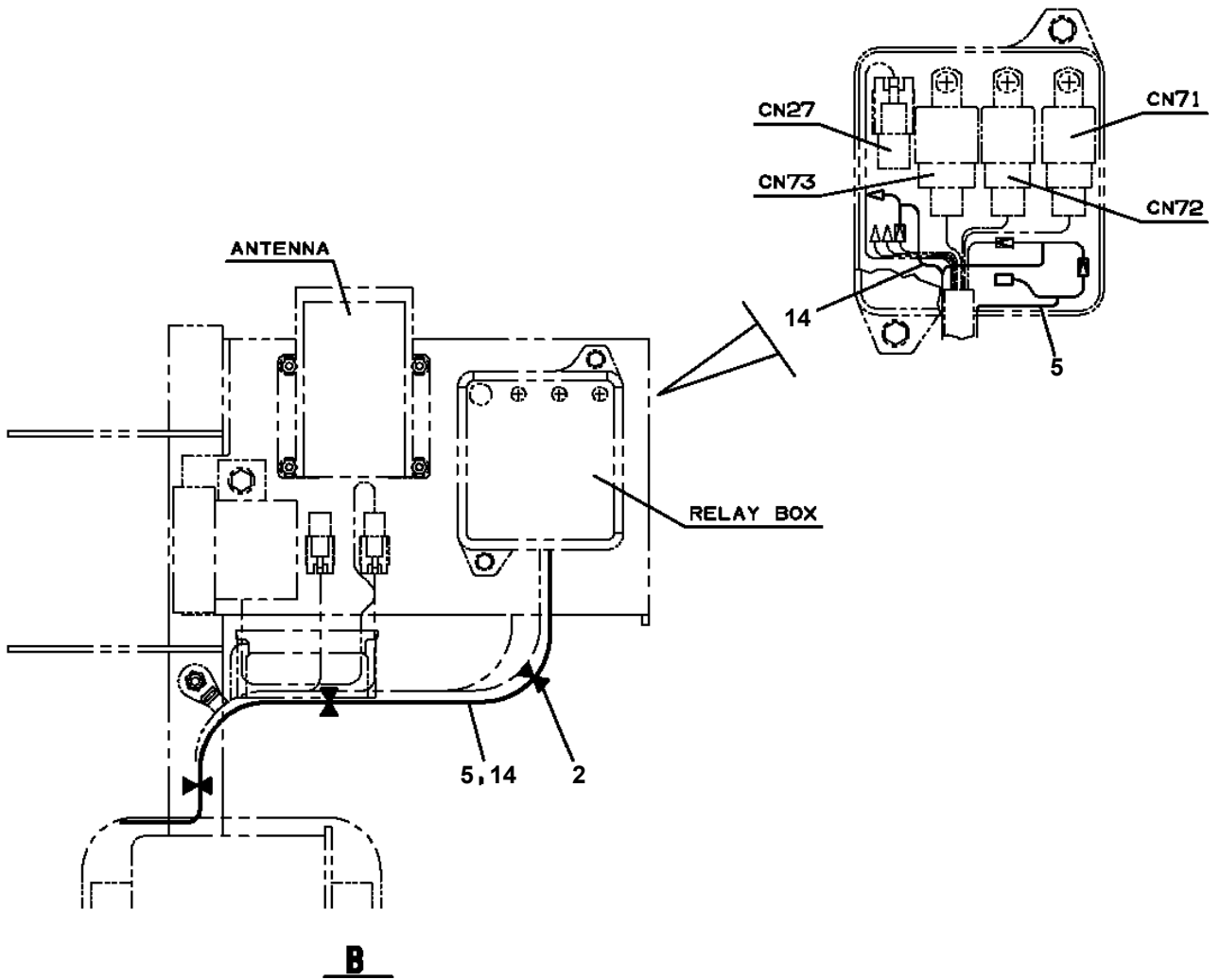
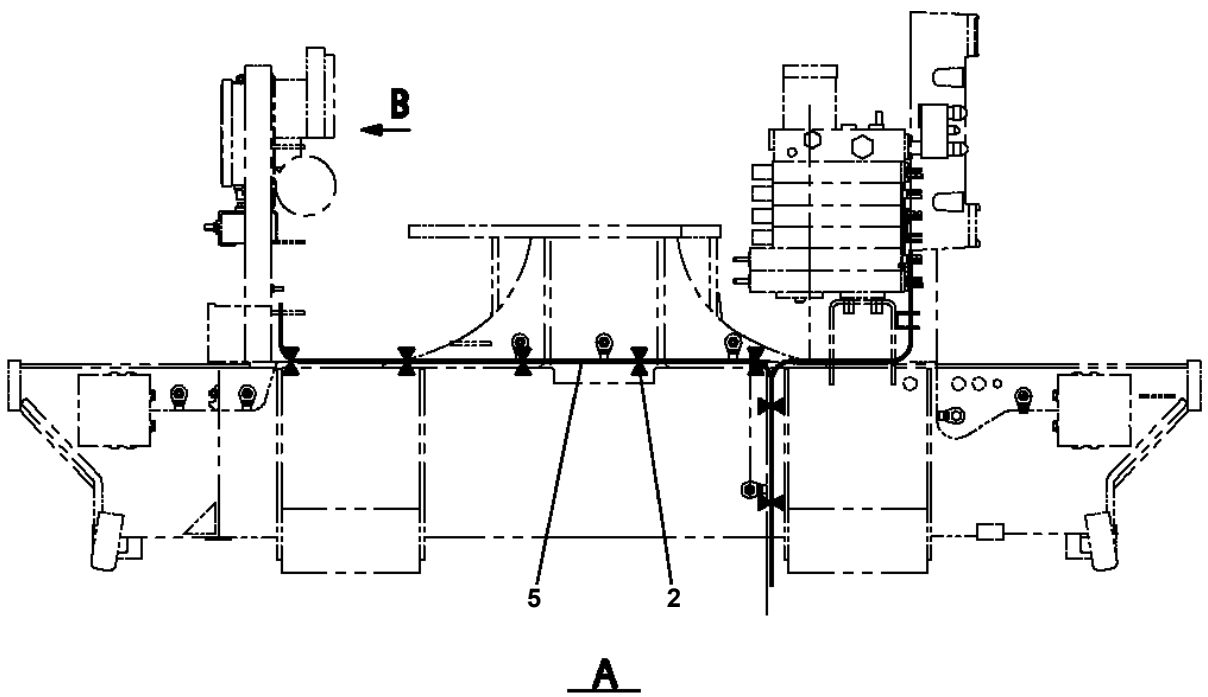
TM-ZR500 31094010461A FRAME/STD,REMOTE-RADIO CONT.,HOOK-IN  
PN1014341-01 ELEC.ASSY (CARRIER)



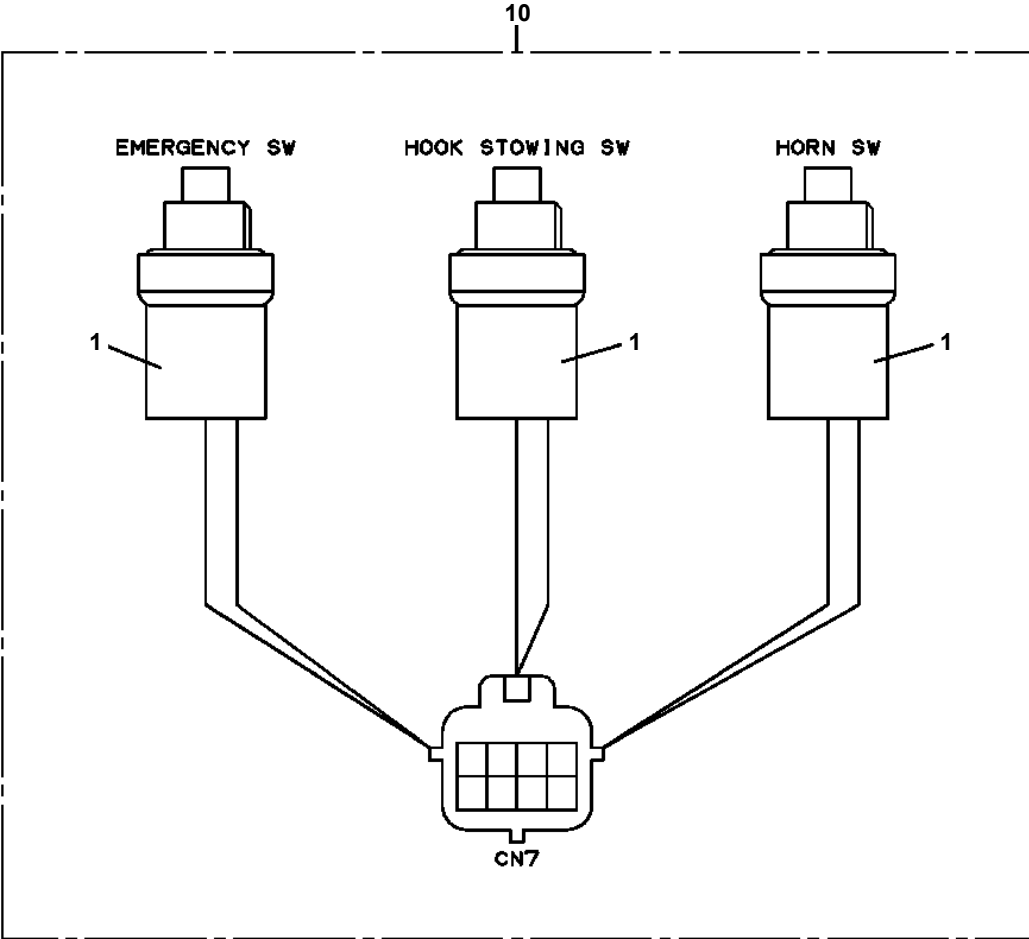
アラームASSY取付



TM-ZR500 31094010461A FRAME/STD,REMOTE-RADIO CONT.,HOOK-IN  
PN1014935-01 ELEC.ASSY (FOR REAR OUTRIGGER)



**TM-ZR500 31094010461A FRAME/STD,REMOTE-RADIO CONT.,HOOK-IN  
PN1140226-00 SWITCH ASSY (PLATING:NACC)**



# TM-ZR500 31094010461A FRAME/STD,REMOTE-RADIO CONT.,HOOK-IN

Pos No.	Parts No	Parts Name	Qty	Unit	Technical Data	Serial No (Start)	Serial No (End)	Remarks	Pages
1	31502232100	PLATE,CAUTION	1						
2	31502232200	PLATE,CAUTION	1						

# TM-ZR500 31094010461A FRAME/STD,REMOTE-RADIO CONT.,HOOK-IN

Pos No.	Parts No	Parts Name	Qty	Unit	Technical Data	Serial No (Start)	Serial No (End)	Remarks	Pages
1	31473481100	PLATE,CAUTION	1						

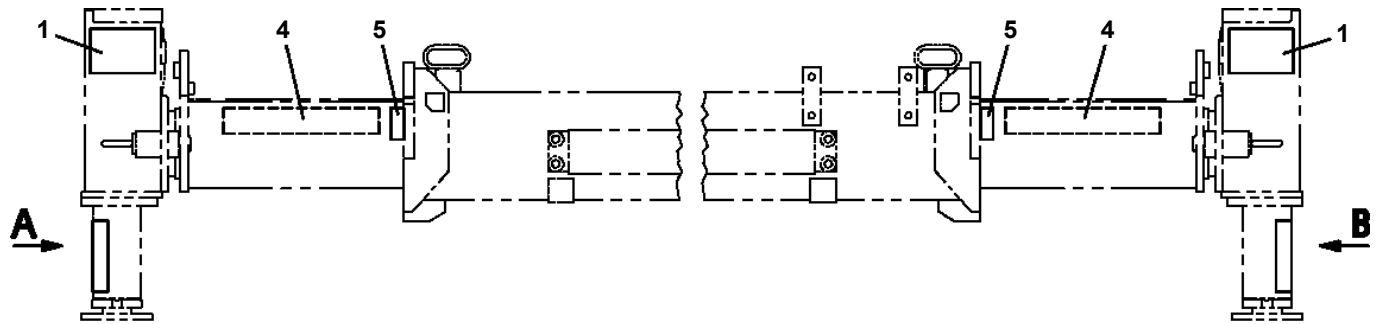
## TM-ZR500 31094010461A FRAME/STD,REMOTE-RADIO CONT.,HOOK-IN

Pos No.	Parts No	Parts Name	Qty	Unit	Technical Data	Serial No (Start)	Serial No (End)	Remarks
1	37002220460	PLATE,NAME	1					
2	37002220470	PLATE,NAME	1					
3	37002220480	PLATE,NAME	1					
4	37002220490	PLATE,NAME	2					
5	37002220500	PLATE,NAME	1					
6	37002220510	PLATE,NAME	1					
7	37002220520	PLATE,NAME	1					
8	37002220530	PLATE,NAME	1					
9	37002220540	PLATE,NAME	1					
10	37002220550	PLATE,NAME	1					
11	37002220560	PLATE,NAME	1					
12	37002220570	PLATE,NAME	1					
13	37002220580	PLATE,NAME	1					
14	37002220450	PLATE,NAME	1					
15	37002200320	PLATE,NAME	1					
16	31395220230	PLATE,CAUTION	2					
17	37002220420	PLATE,CAUTION	1					
18	37002220410	PLATE,CAUTION	1					
19	37002220440	PLATE,CAUTION	1					
20	31394270230	PLATE,CAUTION	2					
21	31395220250	PLATE,CAUTION	2					
22	37002220430	PLATE,CAUTION	2					
23	37002206490	PLATE,NAME (GREASE)	5					
24	31492200210	PLATE,NAME	1					
25	37002224400	PLATE,NAME	1					
26	37002224440	PLATE,NAME	1					

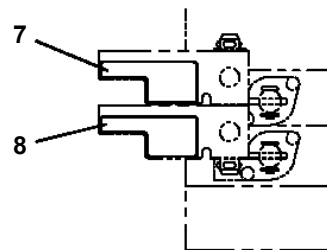
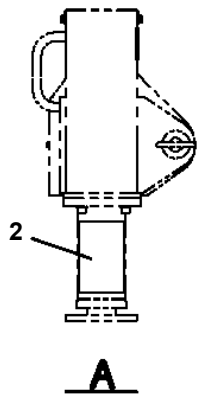
**TM-ZR500 31094010461A FRAME/STD,REMOTE-RADIO CONT.,HOOK-IN**

Pos No.	Parts No	Parts Name	Qty	Unit	Technical Data	Serial No (Start)	Serial No (End)	Remarks
1	31394490500	PLATE,CAUTION	2					
2	31611823200	PLATE,CAUTION	2					
3	31394500100	PLATE,CAUTION	1					
4	31395220250	PLATE,CAUTION	2					
5	37002220430	PLATE,CAUTION	2					
6	31393180100	REFLECTOR (RED)	2					
7	31611300500	PLATE,NAME (WHITE)	4					
8	31394500200	PLATE,CAUTION	1					
9	37002226500	PLATE,CAUTION	2					
10	37002213970	PLATE,NAME (MARKING)	2					

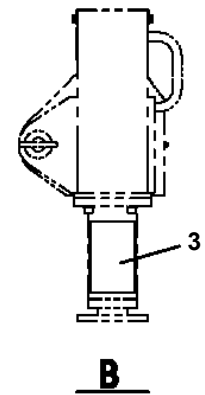
TM-ZR500 31094010461A FRAME/STD,REMOTE-RADIO CONT.,HOOK-IN  
PO1015422-01 PLATE ASSY,NAME



リヤジャッキ／車両後方より見る



キャリーオーバーバルブ操作部



1

警告／走行前の確認	
<ul style="list-style-type: none"> <li>● 走行前にリヤアウトリガを下側の状態にしてください。</li> <li>● ジャッキレバーを全降下する。</li> <li>● リヤアウトリガを全降下する。</li> <li>● リヤアウトリガをロックピンと走行用ロックで固定する。</li> </ul>	
<p>ロックピン ↓ 警告していただ ロック装置。</p> <p>＜ロック状態＞</p>	<p>ラフが滑って いれはロック装置。</p> <p>＜走行用ロック＞</p>
313-983-80400	

2

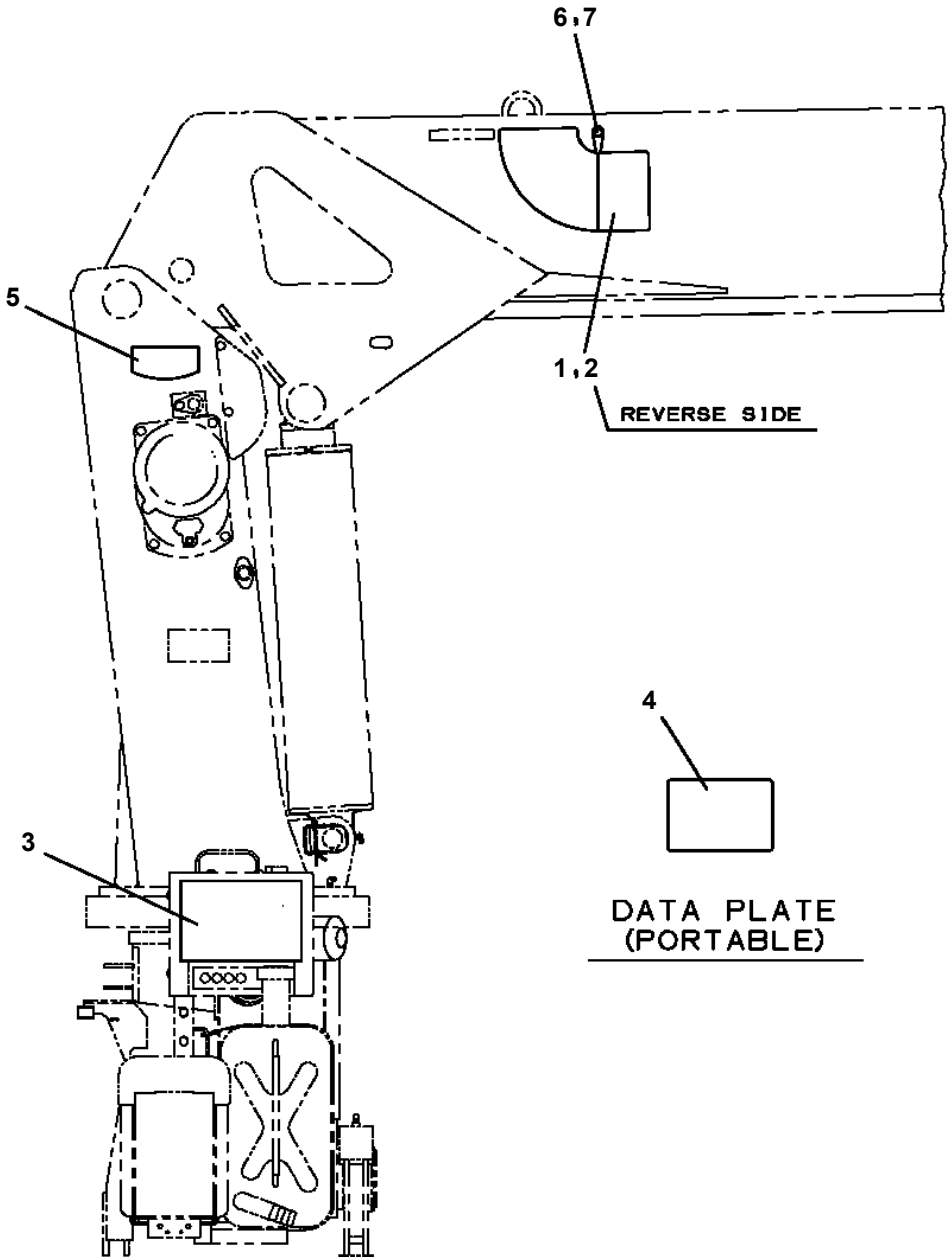
警告／リヤアウトリガ取扱い	
<p>取込ロックピン</p>	<ul style="list-style-type: none"> <li>● 作業時および作業終了後、取込ロックピンが入っていることを確認してください。</li> </ul>
<p>注意</p> <p>● 作業時、作業終了後、必ず手を離すように注意してください。</p> <p style="text-align: right;">313-983-80400</p>	

3

警告／リヤアウトリガ取扱い	
<p>取込ロックピン</p>	<ul style="list-style-type: none"> <li>● 作業時および作業終了後、取込ロックピンが入っていることを確認してください。</li> </ul>
<p>注意</p> <p>● 作業時、作業終了後、必ず手を離すように注意してください。</p> <p style="text-align: right;">313-983-80400</p>	



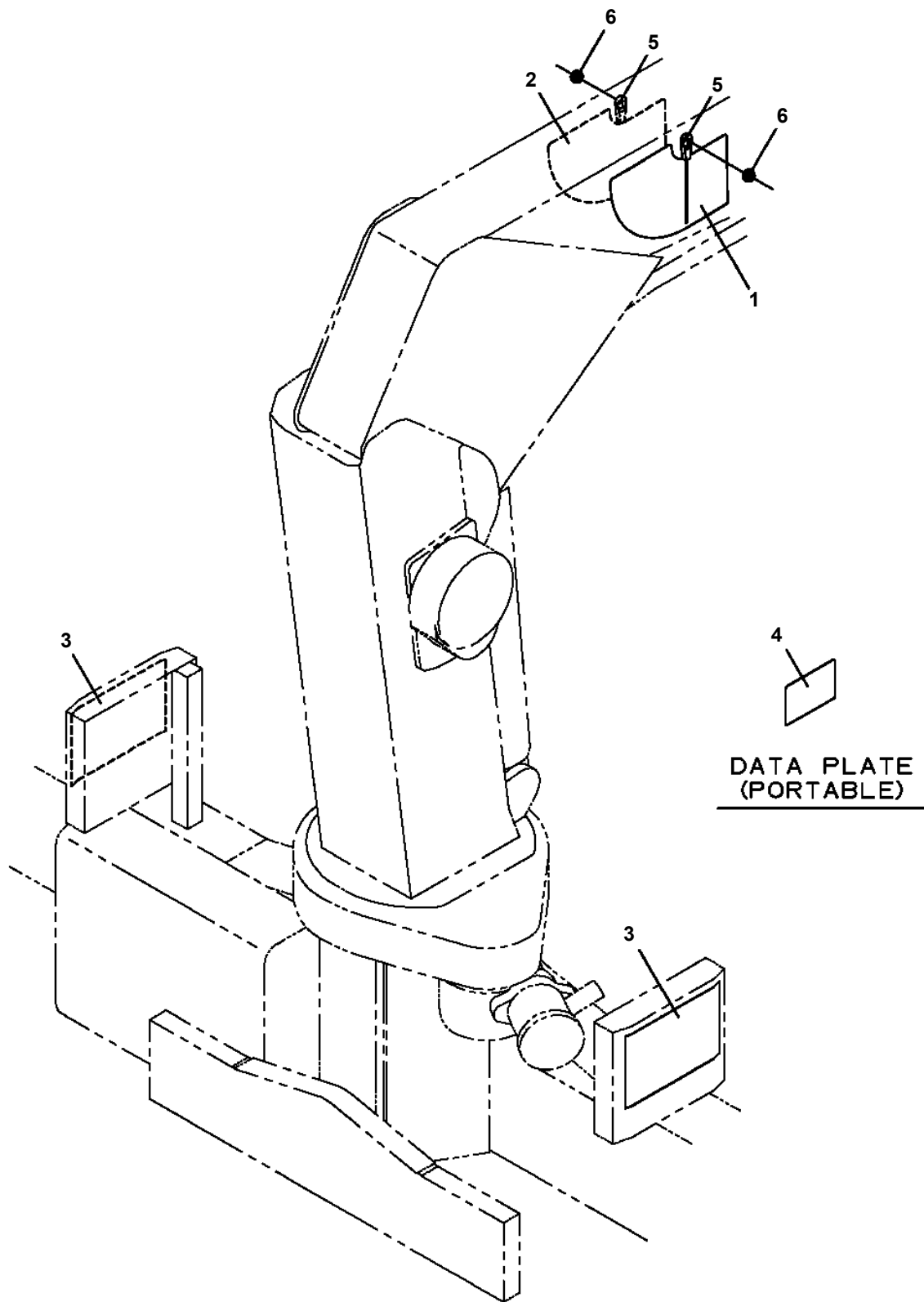
**TM-ZR500 31094010461A FRAME/STD,REMOTE-RADIO CONT.,HOOK-IN  
PO1070531-00 PERFORMANCE DATA (MC506A/B)**



**REVERSE SIDE**

**DATA PLATE  
(PORTABLE)**

**TM-ZR500 31094010461A FRAME/STD,REMOTE-RADIO CONT.,HOOK-IN  
PO1070745-00 PERFORMANCE DATA (MX506/B)**



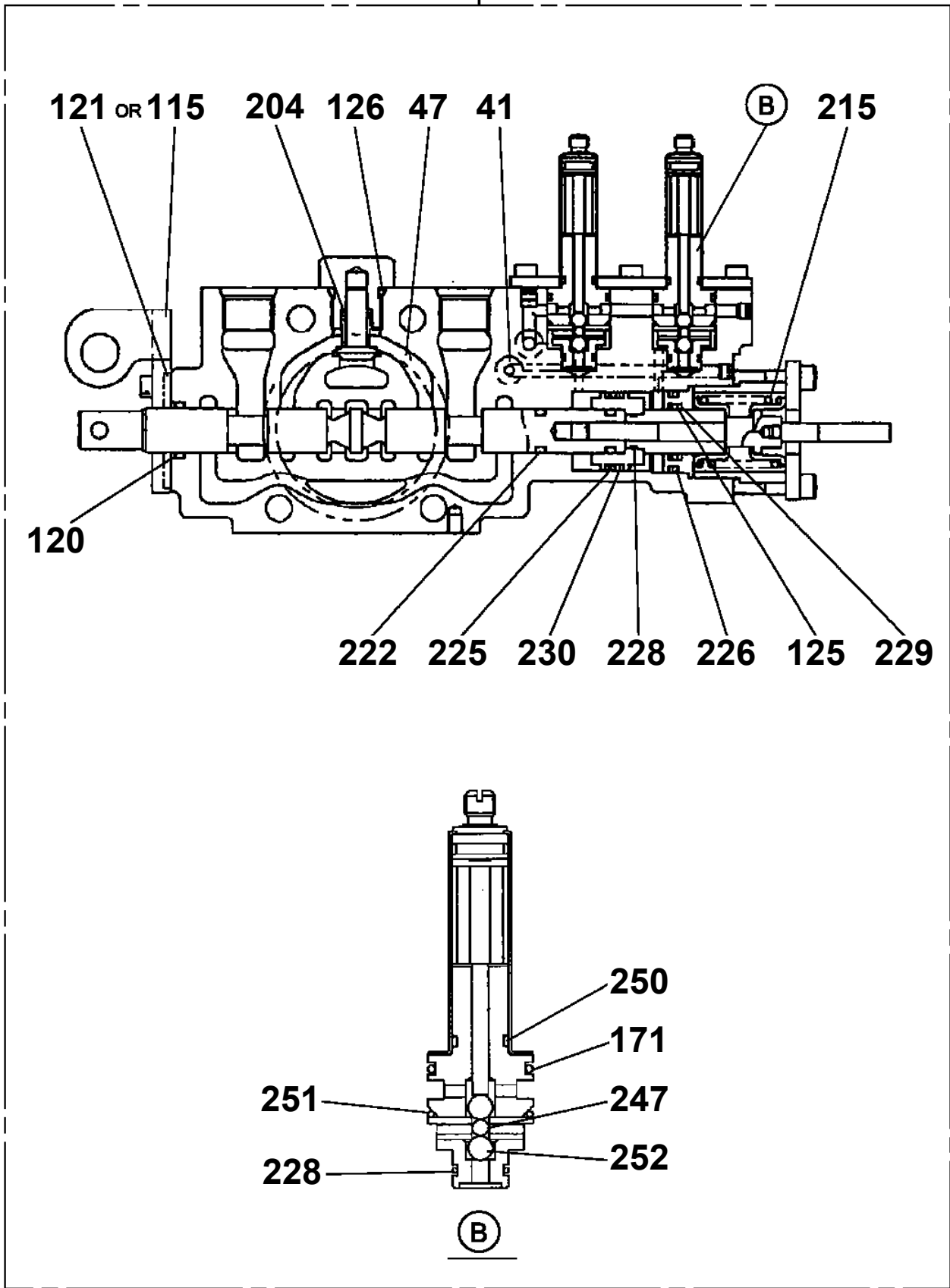
## TM-ZR500 31094010461A FRAME/STD,REMOTE-RADIO CONT.,HOOK-IN

Pos No.	Parts No	Parts Name	Qty	Unit	Technical Data	Serial No (Start)	Serial No (End)	Remarks	Pa
1	31731071600	SUPPORT	1						
2	37002464530	HOSE	1		L=1250				
3	37002513450	HOSE	1		L=1450				
4	91810130270	FASTENER	5						
5	80400160203	JOINT (WITH O-RING)	1						
6	80400160182	JOINT (WITH O-RING)	1						
7	91803600400	CLIP	2		D=27-40				
8	80430620800	JOINT	1						
9	80400160189	JOINT	1						
10	31731071701	SUPPORT	1						
11	37000604210	CLAMP	1		D=36				
12	80491303020	JOINT (WITH O-RING)	2		L,G3/8-G1/4				
13	90201780800	NUT	4		M8				
14	90302040801	WASHER,SPRING	4		8				
15	37000930030	JOINT	2						
16	90171110025	BOLT	5		M10X25				
17	90302041001	WASHER,SPRING	4		10				
18	90303071001	WASHER,PLAIN	4		10				
19	90201781000	NUT	2		M10				
20	80481103020	JOINT	2		PF3/8-PF1/4				
22	91002801400	O-RING	6		1B P14				
23	82100001413	TUBE,SPIRAL	1	M	SE-15BK				
24	90186208016	BOLT,FLANGE	1		M8X16				
25	90280200800	NUT,FLANGE	1		M8				
26	82100001819	TUBE,SPIRAL	1	M	SE-18BK				
27	31731071510	SUPPORT	1						
28	82100002016	CLAMP	1		WR25				
29	90186208010	BOLT,FLANGE	1		M8X10				
30	37000925030	JOINT	2		PF3/8-PF3/8				
31	80481104046	JOINT	1						
32	91002801800	O-RING	1		1B P18				
51	91002802900	O-RING	1		1B P29				
61	91002801800	O-RING	3		1B P18				
71	91002801400	O-RING	2		1B P14				

# TM-ZR500 31094010461A FRAME/STD,REMOTE-RADIO CONT.,HOOK-IN

Pos No.	Parts No	Parts Name	Qty	Unit	Technical Data	Serial No (Start)	Serial No (End)	Remarks
1	(*****)	RADIO CONTROL (LED)	1					
2	(*****)	REMOTE CONTROL (STD,KIT)	1					

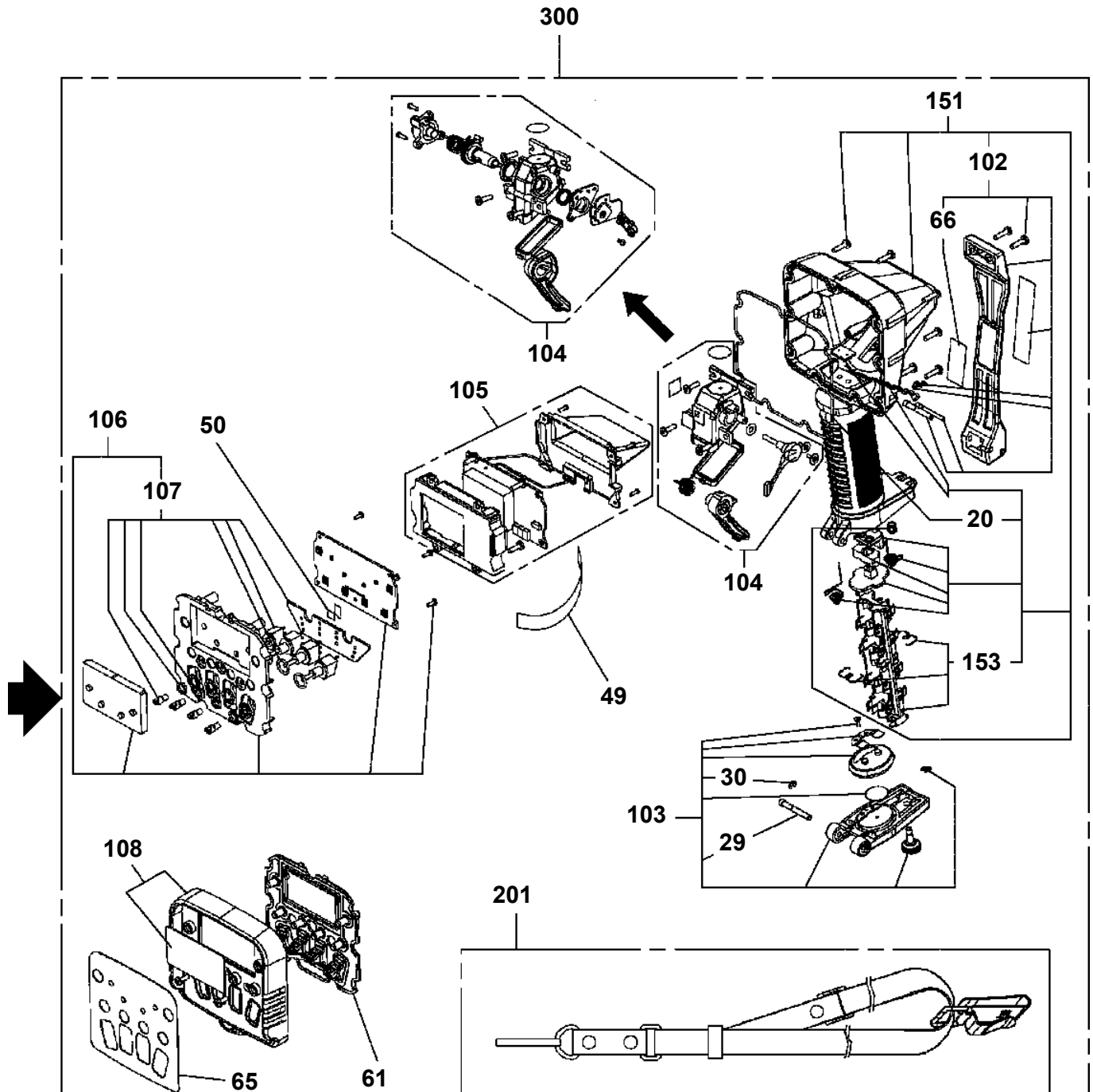
TM-ZR500 31094010461A FRAME/STD,REMOTE-RADIO CONT.,HOOK-IN  
PV1020261-01 VALVE,REMOTE CONTROL (MAIN/NACHI)  
618191101



# TM-ZR500 31094010461A FRAME/STD,REMOTE-RADIO CONT.,HOOK-IN

Pos No.	Parts No	Parts Name	Qty	Unit	Technical Data	Serial No (Start)	Serial No (End)	F
1	36645495280	BOLT,TIE	1					
2	36645495290	BOLT,TIE (A)	3					
3	90201200800	NUT	4		M8			
4	36648365010	COVER (FRONT)	1					
5	36647975040	BOLT,TIE (C)	1					
6	36648365020	VALVE,CONTROL (TELESCOPING)	1					
7	36648365030	VALVE,CONTROL (WINCH)	1					
8	36648365040	VALVE,CONTROL (ELEVATING)	1					
9	36740465010	VALVE,CONTROL (SWING)	1					
10	36648365060	VALVE,CONTROL (JACK 2)	1					
11	36648365070	VALVE,CONTROL (JACK 1)	1					
12	91002905500	O-RING	2		1B G55			
13	36641555090	COVER (BOTTOM)	1					
14	80720104012	PIN,SPRING	1		4X12			
15	36644835061	COVER	1					
16	90203200800	NUT	5		M8			
17	36645405011	VALVE,SOLENOID	1					
18	36645615230	C-BOLT	4		5X12			
21	36649075060	CAM	4					
22	36646865110	SCREW,SET	4					
23	36649075050	SWITCH ASSY	2					
24	36647125090	SCREW,MACHINE	4		M2.3X14			
25	36646575070	PLATE	2					
26	36647125100	NUT	4		M2.3			
27	36645405050	BUSH	2					
28	36646575080	COVER	2					
29	80172104006	SCREW,MACHINE	6		M4X6			
30	36645405060	TUBE	2					
31	36648365080	HARNESS ASSY (SWITCH)	1					
32	36644015120	CONNECTOR	5					
33	36644015130	TUBE	6					
34	11615111410	BAND	12					
35	36644015080	BOX	1					
36	36644015150	URETHANE (ROOL STOCK)	4					
37	36644015140	COVER	1					
38	80172105008	SCREW,MACHINE	2		M5X8			
39	36648365090	HARNESS ASSY (LVDT)	1					
40	36648365100	HARNESS ASSY (SOLENOID)	1					
41	36644015110	CONNECTOR	1					
42	36640625140	TUBE	1		12B			
43	36646865070	CLIP	1					
44	90303070801	WASHER,PLAIN	1		8			
45	90302040801	WASHER,SPRING	1		8			
46	90101208012	BOLT	1		M8X12			
47	36644015070	COVER	1					
48	36645405150	SCREW,MACHINE	4		M3X5			
49	36645405160	BAND	2					
50	36646865060	FASTENER	2					
51	36647855190	SCREW,MACHINE	2		M5X12			
52	36646875100	TUBE	1		15			
57	91001101100	O-RING	2		1A P11			
58	36644115130	PLUG	2					
59	36640755070	CAP	5					
60	36645405080	LABEL (CAUTION)	1					
81	36648365170	COVER (FRONT)	1					
82	36648375020	BALL,STEEL	16		3/16			
83	36646875110	COCK	1					
84	36660495110	PLUG	1					
85	80560057000	BALL,STEEL	2		1/4			
86	36640625260	SPRING	1					
87	80316030020	PLUG	5		PT1/8			
88	36640625220	SPRING	1					
89	36641075260	SPRING	1					

TM-ZR500 31094010461A FRAME/STD,REMOTE-RADIO CONT.,HOOK-IN  
PV1030080-05 SWITCH BOX (RADIO CONTROL,LED TYPE)



**注意**

1. 本体分解時には、指示番号20の「Oリング (ケース)」を併せて注文ください。
2. 「RF ASSY」を交換する場合は、指示番号66の「ラベル (コクイン)」も併せて注文ください。
3. お送りする「ラベル (コクイン)」には製造番号は印字されていないので記入してください。

**NOTICE**

1. When disassembling the main unit, order a key No.20 「O-RING(CASE)」 beforehand.
2. When replacing 「RF ASSY」 order a Key No.66 「LABEL(SELIAL)」 beforehand.
3. Serial No.is not stamped on the 「LABEL(SELIAL)」 before shipment. Fill in the blank by yourself.

# TM-ZR500 31094010461A FRAME/STD,REMOTE-RADIO CONT.,HOOK-IN

Pos No.	Parts No	Parts Name	Qty	Unit	Technical Data	Serial No (Start)	Serial No (End)	Remark
1	36062745010	BODY	1					
2	36062825010	ROD ASSY	1					
3	36062745030	SPRING (A)	1					
4	36062745040	SPRING (B)	1					
5	36062745050	COVER (SEAL)	1					
6	80602110380	RING,RITAINING	1		R38			
7	36648375020	BALL,STEEL	9		3/16			
8	36648375030	BALL,STEEL	5		5/32			
9	91001101400	O-RING	2		1A P14			
10	91001102800	O-RING	1		1A P28			
11	91001003200	O-RING	1		1A S32			
12	91001003150	O-RING	1		1A S31.5			
13	91001002200	O-RING	2		S22			
14	91650001400	SCRAPER	2					
15	36062445010	LVDT ASSY (A/WITH CORE,)	1				EW3996	
	36062445011	LVDT ASSY (A/WITH CORE,)	1			EW3997		
16	36644015220	SHIM (T=0.2)	2					
17	36644015230	SHIM (T=0.3)	2					
18	36062745060	FLANGE	1					
19	80172105008	SCREW,MACHINE	2		M5X8			
21	36062635050	TUBE,CORRUGATE	1		10			
22	80172104010	SCREW,MACHINE	5		M4X10			
25	36081315130	PROTECTOR (THREAD)	2					
27	36645405100	BOLT	2		M4X22			
28	36062635030	FASTENER	1					
29	90303070401	WASHER,PLAIN	1		4			
30	36645405110	SHIM (T=1.0)	1					
31	36062745080	VALVE,SOLENOID	1				EW9642	
	36062745090	VALVE ASSY,SOLENOID	1			EW9643		
100	36062820000	CYLINDER,ACCELERATOR	1					

# TM-ZR500 31094010461A FRAME/STD,REMOTE-RADIO CONT.,HOOK-IN

Pos No.	Parts No	Parts Name	Qty	Unit	Technical Data	Serial No (Start)	Serial No (End)
1	(*****)	ELEC.ASSY (UPPER)	1				
3	(*****)	PLATE ASSY,NAME (UPPER)	1				
4	(*****)	DETECTOR,BOOM LENGTH (MOUNT)	1				
6	36192690000	MOMENT LIMITER (BML)	1				
	36194670000	MOMENT LIMITER (BML)	1			EW4274	
8	(*****)	ELEC.ASSY (HARNESS FOR STANDBY POWER)	1				
12	(*****)	MOUNT (BOOM)	1				

## TM-ZR500 31094010461A FRAME/STD,REMOTE-RADIO CONT.,HOOK-IN

Pos No.	Parts No	Parts Name	Qty	Unit	Technical Data	Serial No (Start)	Serial No (End)	Remarks
2	36073085020	COVER	1					
3	36073815010	GEAR,SPUR	1					
6	36073085061	BRAKE,DISK	1					
7	36073085072	WHEEL,RATCHET	1					
8	36073085080	RING (C)	1					
10	36073085090	RATCHET	1					
11	36073085100	SHAFT	1					
12	36073085111	SPRING	1					
13	36073085120	CAP	1					
14	36073085130	PIN	1					
15	36073085140	NUT	1					
16	80500006202	BEARING,BALL	1					
17	80500006212	BEARING,BALL	1				EW7101	
	80500006211	BEARING,BALL	1			EW7102		
18	80500006305	BEARING,BALL	1					
19	80500006007	BEARING,BALL	1					
20	36073085150	SEAL,OIL	1					
21	80602110620	RING,RITAINING	1		R62			
22	36071195200	O-RING	1					
23	91001101500	O-RING	1		1A P15			
24	80136340040	PIN,SPLIT	1		4X40			
25	36073085160	KEY	2					
26	36073085180	BOLT (WITH SW)	6					
27	36073085200	PLUG	1					
28	36073085170	GAUGE,OIL	1					
29	80172304015	SCREW,MACHINE	1		M4X15			
30	90302040401	WASHER,SPRING	1		4			
51	36073085602	GEAR ASSY	1					
	36073085603	GEAR ASSY	1			EW7102		EW7101
100	36073810000	WINCH ASSY (Y.G.TEC)	1					
101	36070441000	FACING KIT(JAPANESE)	1					
102	36070442000	FACING KIT (ENGLISH)	1					

# TM-ZR500 31094010461A FRAME/STD,REMOTE-RADIO CONT.,HOOK-IN

Pos No.	Parts No	Parts Name	Qty	Unit	Technical Data	Serial No (Start)
1	(*****)	REMOTE CONTROL (F,KIT/RCS-FC1)	1			
2	(*****)	RADIO CONTROL	1			
	(*****)	RADIO CONTROL (F,KIT/RCS-FC1)	1			
3	(*****)	PARTS,AWL (5,6 SECT.)	1			
	(*****)	PARTS,AWL (3,4 SECT.)	1			
4	36805780000	CABLE (F-REMOTE CONTROL,20M)	1			
	(*****)	CABLE (ANTENNA 2M)	1			
6	(*****)	LAMP (MOUNT,BOOM/24V-45W)	1			
	(*****)	LAMP (MOUNT,POST/24V-60W)	1			
7	(*****)	ALARM SYSTEM	1			
	(*****)	ALARM SYSTEM	1			
10	(*****)	JOINT,ROTARY (RING ASSY,SLIP)	1			
11	(*****)	LOCK ASSY	1			
	(*****)	LOCK ASSY	1			
15	(*****)	PLATE ASSY,NAME (FOR FIXING AWL)	1			
16	(*****)	ELEC.ASSY (AWL LAMP/STOP TO CONFIGURATION)	1			

# TM-ZR500 31094010461A FRAME/STD,REMOTE-RADIO CONT.,HOOK-IN

Pos No.	Parts No	Parts Name	Qty	Unit	Technical Data	Serial No (Start)	Serial No (End)	Re
1	82109902050	SWITCH,THERMO	1					
2	91850310405	CLAMP (BLACK)	6					
3	91810130240	FASTENER	15					
4	31478113100	HARNESS	1				EW3294	
	31478113101	HARNESS	1			EW3295		
5	90186208020	BOLT,FLANGE	2		M8X20			
6	90186206010	BOLT,FLANGE	3		M6X10			
8	31653241300	COVER	1					
9	82100001400	TERMINAL	1					
10	82100001220	INSULATOR	1					
11	82100002596	RELAY	1			EW3295		
12	90280200600	NUT,FLANGE	1		M6	EW3295		
13	80192486012	SCREW,MACHINE	1		M6X12	EW3295		
22	82100000745	FUSE	1		10A,6.5X30			
23	82100002832	HOLDER,FUSE	1					
31	31653243100	SUPPORT	1					
32	82197518119	CAP (PLUS ONE MFG./BLACK)	1					
	82197518114	CAP (MATSUSHITA/BLACK)	1					
33	31477311200	SWITCH ASSY (PLATING:NACC)	1					
34	31478113250	PLATE,NAME	1					

CLICK HERE TO **DOWNLOAD** THE COMPLETE MANUAL

- Thank you very much for reading the preview of the manual.
- You can download the complete manual from: [www.heydownloads.com](http://www.heydownloads.com) by clicking the link below



- Please note: If there is no response to CLICKING the link, please download this PDF first and then click on it.

CLICK HERE TO **DOWNLOAD** THE COMPLETE MANUAL