

TM-ZR500 31094010110A FRAME/STD,MANUAL,HOOK-IN

PB000039-02 SYSTEM (ZR500,DOMESTIC)

PB0000104-01 SYSTEM (ZR500,AUSTRALIA)

PB0000105-01 SYSTEM (ZR500,EXPORT)

PB0000108-01 SYSTEM (ZR500,TAIWAN)

PB0000184-02 SYSTEM (ZR500,CHINA)

ASSEMBLY

CLICK HERE TO **DOWNLOAD** THE COMPLETE MANUAL

- Thank you very much for reading the preview of the manual.
- You can download the complete manual from: www.heydownloads.com by clicking the link below



- Please note: If there is no response to CLICKING the link, please download this PDF first and then click on it.

CLICK HERE TO **DOWNLOAD** THE COMPLETE MANUAL

TM-ZR500 31094010110A FRAME/STD,MANUAL,HOOK-IN

Pos No.	Parts No	Parts Name	Qty	Unit	Technical Data	Serial No (Start)	Serial No (End)	Remarks
1	(*****)	POWER TAKE OFF & PUMP	1					
2	(*****)	FRAME UNIT	1					
3	(*****)	INDICATION PLATES	1					

TM-ZR500 31094010110A FRAME/STD,MANUAL,HOOK-IN

Pos No.	Parts No	Parts Name	Qty	Unit	Technical Data	Serial No (Start)	Serial No (End)	Remarks	Page
1	31790770000	POWER TAKE OFF	1						00001
	31792370000	POWER TAKE OFF	1						00002
	31792380000	POWER TAKE OFF	1						00002
	31792360000	POWER TAKE OFF	1						00002
	31791070000	POWER TAKE OFF	1						00002
	36400950000	POWER TAKE OFF	1						00001
2	31790790000	POWER TAKE OFF	1						00001
	31790950000	POWER TAKE OFF	1						00001
	31790940000	POWER TAKE OFF	1						00001
	31790800000	POWER TAKE OFF	1						00001
3	31790910000	POWER TAKE OFF	1						00001
	31790820000	POWER TAKE OFF	1						00002
	31790980000	POWER TAKE OFF	1						00001
	36400030000	POWER TAKE OFF	1						00000
4	31790750000	POWER TAKE OFF	1						00001
	31790850000	POWER TAKE OFF	1						00001

TM-ZR500 31094010110A FRAME/STD,MANUAL,HOOK-IN

Pos No.	Parts No	Parts Name	Qty	Unit	Technical Data	Serial No (Start)	Serial No (End)	Remark
2	36400956010	CASE (P.T.O)	1					
3	51630103020	SHAFT (POWER TAKE OFF)	1					
4	51630103030	BEARING,NEEDLE	1					
6	36400955010	GEAR	1					
7	51630103050	WASHER	2					
8	51630103060	PIN,SPRING	1					
9	36400955020	SHAFT (OUTPUT)	1					
10	51630103080	BEARING,NEEDLE	2					
12	51630103090	GEAR,OUTPUT	1					
13	51630103100	WASHER	1					
15	51630103110	SLEEVE	1					
16	80500006206	BEARING,BALL	3					
17	52630106230	COVER (FRONT)	1					
18	36400955030	ADAPTER	1					
19	51630103140	GASKET	2					
20	51630103150	BOLT	4					
21	36400956020	BOLT	4		M8X1.25X30			
22	36400955050	SEAL,OIL	1					
25	51630103170	SHAFT	1					
26	51630103180	FORK	1					
27	51630103190	BOLT	1					
28	36400956030	PIN	1					
29	52630106190	SPRING	1					
30	51630103200	PLUG	1					
31	51630103210	PLUG	1					
32	51630103220	SEAL,OIL	1					
33	51630103230	BOLT	1					
35	51630103240	NUT	1					
36	51630103250	GASKET	1					
37	51630103260	GASKET	1					
38	36400315040	BOLT	6					
40	36400955060	COUPLING	1					
41	36400955070	RING,STOP	1					
50	36400950000	POWER TAKE OFF	1					

TM-ZR500 31094010110A FRAME/STD,MANUAL,HOOK-IN

Pos No.	Parts No	Parts Name	Qty	Unit	Technical Data	Serial No (Start)	Serial No (End)	Remarks	Page
1	36401365010	CASE	1						
2	36401365020	GEAR	1						
3	36400895030	SHAFT	1						
4	36400095040	SHAFT	1						
5	36400095050	COLLAR	1						
6	36401365030	GEAR	1						
7	36400095070	COVER (BEARING)	1						
8	36400095080	PACKING (COVER)	1						
9	36400095090	SHIM	1						
10	36400095100	SHIFTER ASSY	1						
11	36400095110	PACKING	1						
12	80500006206	BEARING,BALL	2						
13	36400095120	BEARING	2						
14	80602110520	RING,RITAINING	2		R52				
15	91206030005	SEAL,OIL	1						
16	90101206012	BOLT	1		M6X12				
17	36400095130	WASHER	1						
18	90191208020	BOLT	4		M8X20				
19	90191208014	BOLT	3		M8X14				
20	90302040801	WASHER,SPRING	7		8				
21	36400335030	SHIM	1						
22	90191210030	BOLT	4		M10X30				
23	36400095150	BOLT,STUD	4		M10X1.25/1.5X43				
24	90267201000	NUT	4		M10				
25	90302041001	WASHER,SPRING	8		10				
27	31790680100	SUPPORT	1						
28	90191208025	BOLT	2		M8X25				
50	36401360000	POWER TAKE OFF	1						
100	31790940000	POWER TAKE OFF	1						

TM-ZR500 31094010110A FRAME/STD,MANUAL,HOOK-IN

Pos No.	Parts No	Parts Name	Qty	Unit	Technical Data	Serial No (Start)	Serial No (End)	Remarks
1	36400845060	CASE	1					
2	36402465010	GEAR	1					
3	36400845030	SHAFT	1					
4	36402465020	GEAR	1					
5	36400395050	SHAFT	1					
6	36400095100	SHIFTER ASSY	1					
7	36400095110	PACKING	1					
8	36400095070	COVER (BEARING)	1					
9	36400095080	PACKING (COVER)	1					
10	36400095090	SHIM	N					
11	36400675030	COLLAR	1					
12	80500006206	BEARING,BALL	2					
13	36400675050	BEARING	2					
14	91206030005	SEAL,OIL	1					
15	80602110520	RING,RITAINING	2		R52			
16	36400095150	BOLT,STUD	1		M10X1.25/1.5X43			
17	90101206015	BOLT	1		M6X15			
18	90191208020	BOLT	4		M8X20			
19	90191208014	BOLT	3		M8X14			
20	90302040801	WASHER,SPRING	7		8			
21	36401025060	PLUG	1					
22	36401025070	WASHER,PLAIN	1					
25	36401025100	PACKING	1					
26	36401695040	BOLT,STUD	6		M10X1.25/1.5X47			
27	90267201000	NUT	6		M10			
28	90302041001	WASHER,SPRING	6		10			
29	31790770100	SUPPORT	1					
30	90191208025	BOLT	2		M8X25			
31	36401025120	NUT (REINFORCER)	1					
50	36402460000	POWER TAKE OFF ASSY	1					
100	31792360000	POWER TAKE OFF	1					

TM-ZR500 31094010110A FRAME/STD,MANUAL,HOOK-IN

Pos No.	Parts No	Parts Name	Qty	Unit	Technical Data	Serial No (Start)	Serial No (End)
50	53063551150	BACKUP STRIP	2				
51	36650715040	GASKET	2				
52	36650715050	GASKET	2				
65	53063551010	SEAL,OIL	1				
100	36652290000	PUMP,HYDRAULIC (SGP2-44D2H9-L)	1				

TM-ZR500 31094010110A FRAME/STD,MANUAL,HOOK-IN

Pos No.	Parts No	Parts Name	Qty	Unit	Technical Data	Serial No (Start)	Serial No (End)	Remarks	Pages
1	36102290000	TANK,OIL	1						000030
2	31660450100	BAND	1				EH8286		
3	90201201000	NUT	2		M10				
4	31660530200	CUSHION	1			EH8287			
12	31660520100	BAND	1			EH8287			

TM-ZR500 31094010110A FRAME/STD,MANUAL,HOOK-IN

Pos No.	Parts No	Parts Name	Qty	Unit	Technical Data	Serial No (Start)	Serial No (End)	Remarks
1	31631681000	JOINT,ROTARY	1				EW6638	
2	91002801400	O-RING	5		1B P14			
3	37002480800	HOSE	2		L=930			
	37002458020	HOSE	2		L=930			
4	31641031000	JOINT	1					
5	37002458040	HOSE	2		L=860			
	37002480770	HOSE	2		L=860	EW0245		
6	37002455110	HOSE	1		L=810			
	37002480760	HOSE	1		L=810	EW0245		
7	37002458050	HOSE	1		L=780			
	37002480730	HOSE	1		L=780	EW0245		
8	91002801100	O-RING	1		1B P11			
9	37002510780	HOSE	1		L=700			
10	91803600200	CLIP	1		D=13-20			
11	31656101200	PLUG (2-POLES,FEMALE)	1			EW6639		
12	31474661600	PLUG (2-POES,MALE)	1			EW6639		
21	31631991001	JOINT ASSY,SWIVEL	1			EW6639		
50	31631680000	JOINT,ROTARY	1					

TM-ZR500 31094010110A FRAME/STD,MANUAL,HOOK-IN

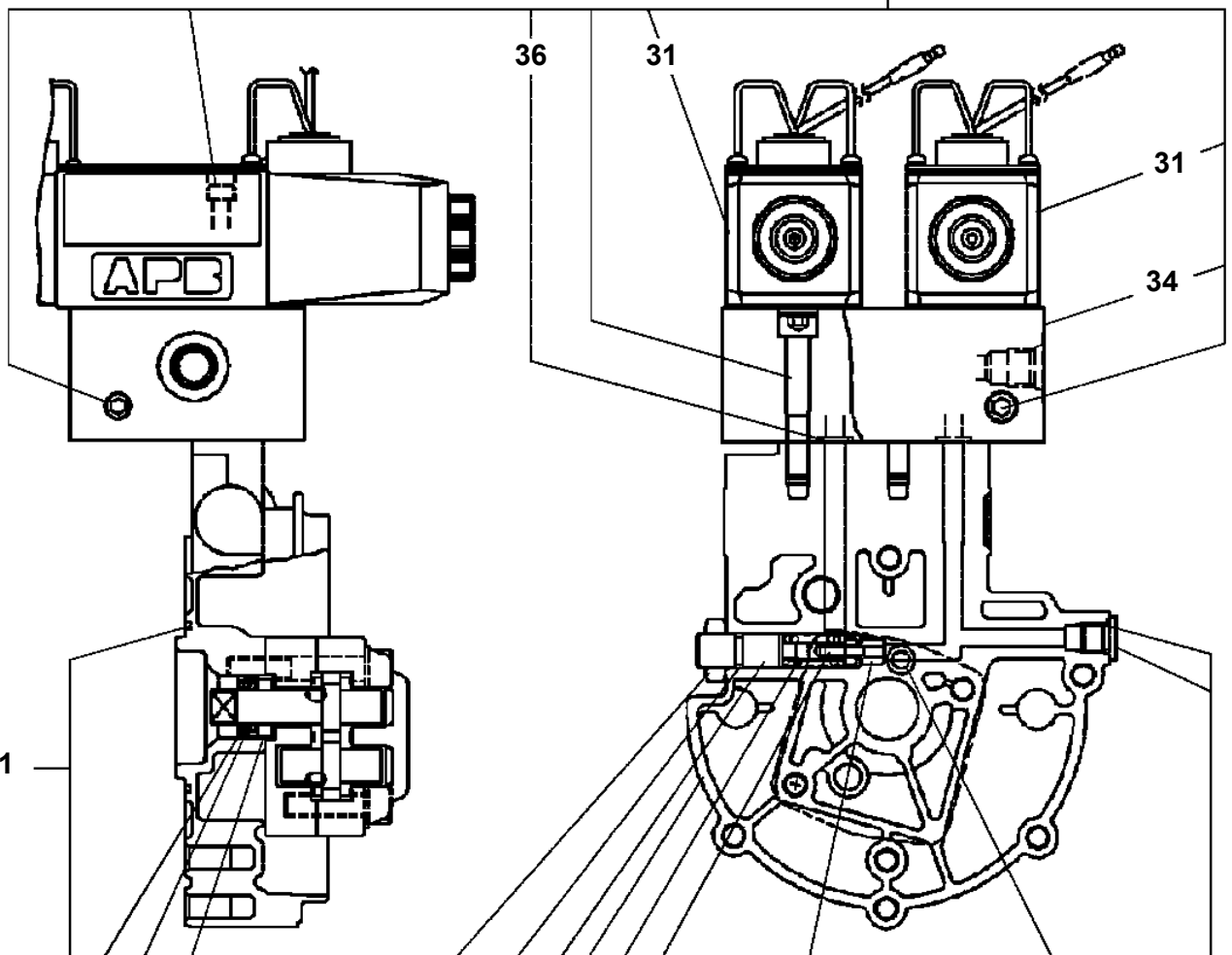
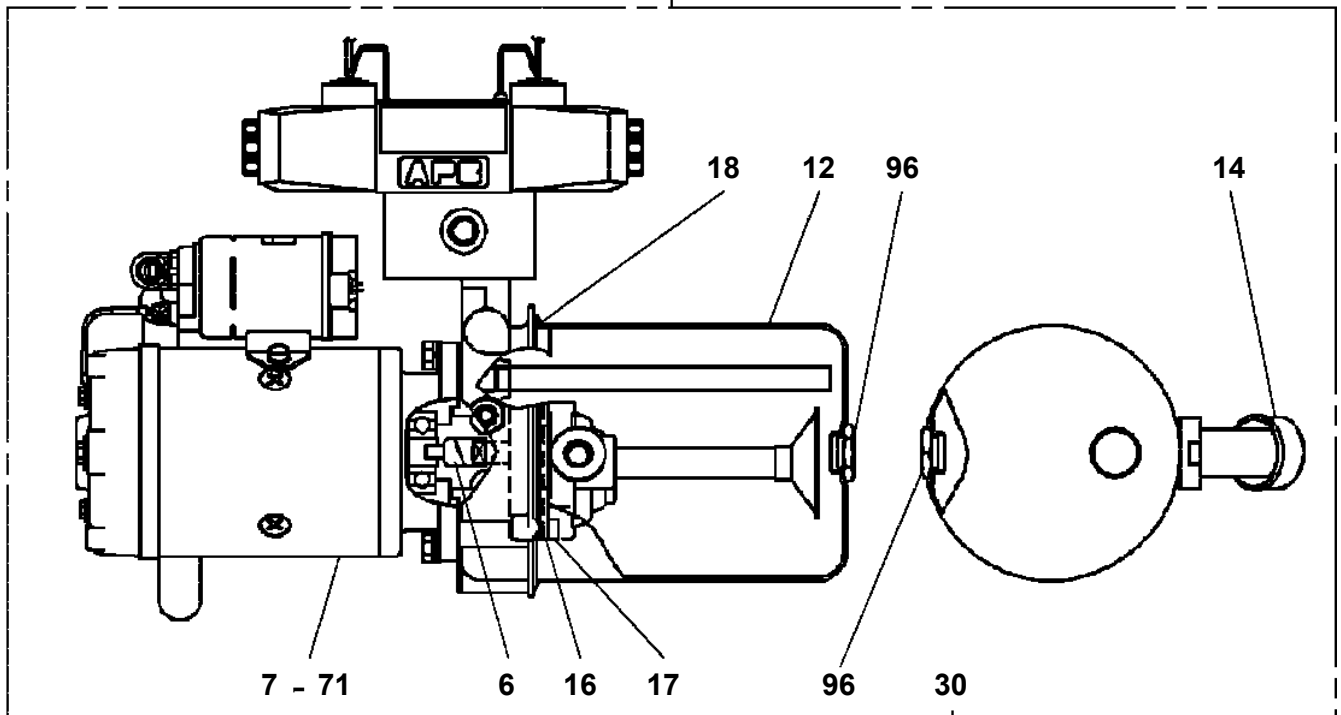
Pos No.	Parts No	Parts Name	Qty	Unit	Technical Data	Serial No (Start)	Serial
7	36635615010	VALVE,CONTROL	1				
8	36641235030	VALVE,RELIEF	1				
9	36635615020	VALVE,RELIEF	1				
22	36640765060	O-RING	1				
31	36635545060	PLUG	2				
32	91002801800	O-RING	2		1B P18		
44	36635545020	O-RING	2				
45	36635545030	WIPER	2				
52	36640765060	O-RING	1				
55	36635545040	BRACKET	1				
57	36635545050	O-RING	2				
68	36641235070	SPRING	1				
69	36641235080	SPRING	1				
70	36641235090	O-RING	1				
71	91411001000	RING,BACKUP	1		TIP10A		
72	91000590800	O-RING	1		AS568-908		
73	36640765130	O-RING	2				
75	91002801000	O-RING	2		1B P10		
100	36635610000	VALVE,MANUAL CONTROL (POWER SUPPLY)	1				

TM-ZR500 31094010110A FRAME/STD,MANUAL,HOOK-IN

Pos No.	Parts No	Parts Name	Qty	Unit	Technical Data	Serial No (Start)	Serial No
6	36635625060	OUTLET	1				
7	36635545010	VALVE,CONTROL	2				
8	36641235030	VALVE,RELIEF	1				
22	36640765060	O-RING	3				
34	36635545020	O-RING	4				
35	36635545030	WIPER	4				
45	36635545040	BRACKET	2				
47	36635545050	O-RING	4				
58	36641235070	SPRING	1				
59	36641235080	SPRING	1				
60	36641235090	O-RING	1				
61	91411001000	RING,BACKUP	1		TIP10A		
62	91000590800	O-RING	1		AS568-908		
63	36640765130	O-RING	1				
65	91002801000	O-RING	1		1B P10		
71	36635545060	PLUG	4				
72	91002801800	O-RING	4		1B P18		
100	36637730000	VALVE,MANUAL CONTROL (R/O,2-BLOCK)	1				

TM-ZR500 31094010110A FRAME/STD,MANUAL,HOOK-IN
PB1380261-01 POWER SUPPLY (REAR JACK)

100



TM-ZR500 31094010110A FRAME/STD,MANUAL,HOOK-IN

Pos No.	Parts No	Parts Name	Qty	Unit	Technical Data	Serial No (Start)	Serial No (End)	Rema
1	81408000120	PIPE,STEEL	1	M	10X1.5T			
2	81408000120	PIPE,STEEL	1	M	10X1.5T			
3	91810130270	FASTENER	2					
4	91810130240	FASTENER	3					
5	81408000120	PIPE,STEEL	2	M	10X1.5T			
6	81408000120	PIPE,STEEL	2	M	10X1.5T			
7	91803600200	CLIP	1		D=13-20			
8	31641800300	COVER	1					
9	80302120080	FITTING	8		POA10PF3/8			
10	91002801400	O-RING	13		1B P14			
11	81408000100	PIPE,STEEL	2	M	10X1.2T			
12	81408000100	PIPE,STEEL	2	M	10X1.2T			
13	91803600400	CLIP	2		D=27-40			
14	36672390000	FILTER,OIL (WAKO)	1					
15	91002802900	O-RING	1		1B P29			
16	91803880070	CLIP	2		D=13.1-16.2			
17	90186210014	BOLT,FLANGE	2		M10X14			
18	37000924350	FITTING	4					
19	91002801100	O-RING	5		1B P11			
20	37002504790	HOSE	1		L=1500			
21	31644591300	JOINT	1					
22	90186208014	BOLT,FLANGE	4		M8X14			
24	37005700130	CLAMP	2		10X2			
25	90101208055	BOLT	1		M8X55			
26	90280200800	NUT,FLANGE	1		M8			
27	80481003037	JOINT	4					
28	80400160180	JOINT (WITH O-RING)	1					
29	80481003027	JOINT	1					
41	80400160202	JOINT (FOR RETURN FILTER)	1					
51	37002454570	HOSE	4		L=2000			
52	80491002020	JOINT (WITH O-RING)	4					
53	91810130240	FASTENER	6					
54	31642591240	CLAMP	2		12X2			
55	90186208014	BOLT,FLANGE	2		M8X14			
56	90280200800	NUT,FLANGE	2		M8			
57	31642851530	SUPPORT	2					
58	31644591450	JOINT	2					
61	91002801400	O-RING	1		1B P14			
71	91002802900	O-RING	1		1B P29			
81	91002801100	O-RING	4		1B P11			

TM-ZR500 31094010110A FRAME/STD,MANUAL,HOOK-IN

Pos No.	Parts No	Parts Name	Qty	Unit	Technical Data	Serial No (Start)	Serial No (End)
1	81408000100	PIPE,STEEL	1	M	10X1.2T		
2	31644592100	JOINT,ROTARY	1				
3	80302090101	FITTING	3		KCO10-020N		
4	91002801100	O-RING	3		1B P11		
5	36637660000	VALVE,MANUAL CONTROL (NABCO)	1				
6	81408000100	PIPE,STEEL	2	M	10X1.2T		
7	37002502440	HOSE	1		L=300		
8	80400160182	JOINT (WITH O-RING)	1				
9	80400160131	JOINT	1				
10	91002801800	O-RING	1		1B P18		
11	90201780800	NUT	4		M8		
12	90302040801	WASHER,SPRING	4		8		
13	90303070801	WASHER,PLAIN	1		8		
14	37005700130	CLAMP	1		10X2		
15	90101208035	BOLT	1		M8X35		
16	90280200800	NUT,FLANGE	2		M8		
17	31490000210	PLATE,CAUTION	1				
41	91002801800	O-RING	1		1B P18		

TM-ZR500 31094010110A FRAME/STD,MANUAL,HOOK-IN

Pos No.	Parts No	Parts Name	Qty	Unit	Technical Data	Serial No (Start)	Serial No (End)
1	36652290000	PUMP,HYDRAULIC (SGP2-44D2H9-L)	1				
2	36653390000	PUMP,HYDRAULIC (SGP2-36)	1				
3	36652280000	PUMP,HYDRAULIC (SGP2-44D2H9-R)	1				
4	36652910000	PUMP,HYDRAULIC (36CC:R)	1				

TM-ZR500 31094010110A FRAME/STD,MANUAL,HOOK-IN

Pos No.	Parts No	Parts Name	Qty	Unit	Technical Data	Serial No (Start)	Serial No (End)	Rem
1	80189305008	SCREW,MACHINE	1		M5X8			
2	31612502000	COVER	1					
3	90180208016	BOLT,BUTTON	2		M8X16			
4	90302040801	WASHER,SPRING	2		8			
5	31611640150	SPRING	1					
6	(*****)	OPE.ASSY,OUTRIGGER	1					
7	37000150360	PIN	1					
8	80601110150	RING,RITAINING	2		15			
9	80530000225	BEARING,BALL (KOYO)	2					
	31620582020	BEARING,BALL (KOYO)	2			EW9478	EW9477	
10	37000164980	PIN	2					
11	80602110350	RING,RITAINING	4		R35			
12	31612770200	CASE,OUTER	1					
13	31612770500	CASE,INNER	1					
14	(*****)	CYLINDER,JACK (STROKE 550)	1					
15	37000165280	PIN	1					
16	31201770100	PLATE,SLIDE	2		T=3.0			
17	31612772100	PLATE	1					
18	90186206010	BOLT,FLANGE	2		M6X10			
19	31611643000	FLOAT	1					
31	31612779510	SUPPORT	1					
35	31621963101	SUPPORT	1					
37	31621963200	SUPPORT	1					
41	31611300500	PLATE,NAME (WHITE)	2					
42	31611300600	PLATE,NAME (YELLOW)	2					
100	31612770100	OUTRIGGER	1					

TM-ZR500 31094010110A FRAME/STD,MANUAL,HOOK-IN

Pos No.	Parts No	Parts Name	Qty	Unit	Technical Data	Serial No (Start)	Serial No (End)	Rem
1	80189305008	SCREW,MACHINE	1		M5X8			
2	31612502000	COVER	1					
3	90180208016	BOLT,BUTTON	2		M8X16			
4	90302040801	WASHER,SPRING	2		8			
5	31611640150	SPRING	1					
6	(*****)	OPE.ASSY,OUTRIGGER	1					
7	37000150360	PIN	1					
8	80601110150	RING,RITAINING	2		15			
9	80530000225	BEARING,BALL (KOYO)	2					
	31620582020	BEARING,BALL (KOYO)	2			EW9478	EW9477	
10	37000164980	PIN	2					
11	80602110350	RING,RITAINING	4		R35			
12	31613300200	CASE,OUTER	1					
13	31613300500	CASE,INNER	1					
14	(*****)	CYLINDER,JACK (STORKE 550)	1					
15	37000165280	PIN	1					
16	31201770100	PLATE,SLIDE	2		T=3.0			
17	31612772100	PLATE	1					
18	90186206010	BOLT,FLANGE	2		M6X10			
19	31611643000	FLOAT	1					
31	31612779510	SUPPORT	1					
35	31621963101	SUPPORT	1					
37	31621963200	SUPPORT	1					
41	31611300500	PLATE,NAME (WHITE)	2					
42	31611300600	PLATE,NAME (YELLOW)	2					
100	31613300100	OUTRIGGER	1					

TM-ZR500 31094010110A FRAME/STD,MANUAL,HOOK-IN

Pos No.	Parts No	Parts Name	Qty	Unit	Technical Data	Serial No (Start)	Serial No
1	(*****)	CYLINDER,JACK (REAR/STROKE 430MM)	2				
11	31478091550	CASE,OUTER	1				
12	31622102000	CASE,INNER	2				
13	31621343000	CASE (LEFT H=555)	1				
14	31621344000	CASE (RIGHT H=555)	1				
15	31622103000	SUPPORT	1				
16	31622104000	SUPPORT	1				
17	90171118040	BOLT	8		M18X40		
18	90302041801	WASHER,SPRING	8		18		
19	31200713400	SHIM	2		T=0.6		
20	31621340401	COVER	2				
21	90186208016	BOLT,FLANGE	4		M8X16		
22	37000162930	PIN	2				
23	80314110060	NUT	4		PT10		
24	80314120060	SLEEVE	4		PT10		
25	31620386000	BOLT	2				
26	90203252000	NUT	2				
27	37000300170	SPACER	4		L=16		
28	42310210500	PIN	2				
29	37000308620	SPACER	4				
31	37003100030	GRIP	2				
32	37001200720	SPRING	2				
33	31621340200	PIN	2				
34	31621340100	PLATE	2				
35	90172112030	BOLT,HEXAGON SOCKET	12		M12X30		
36	90302401201	WASHER,SPRING (12)	12				
37	31620437000	GUIDE	8				
38	90101210025	BOLT	8		M10X25		
39	90302041001	WASHER,SPRING	12		10		
40	81408000130	PIPE,STEEL	4	M	10X1.8T		
44	80314130080	FITTING	4		PA10PT1/4		
45	82456201000	NIPPLE,GREASE	2		A-TYPE PT1/8		
46	82400000459	CAP	2				
47	80601110200	RING,RITAINING	8		S20		
48	37001100660	ROLLER ASSY	6				
49	37000303100	SPACER	2		L=129		
61	31621340300	SUPPORT	2				
62	90171116050	BOLT	8		M16X50		
63	90202781600	NUT	16		M16		
65	37000539370	PLATE	2				
71	31622141200	PIN ASSY	2				
81	31642900100	PIPE ASSY (LEFT)	1				
82	31642900200	PIPE ASSY (RIGHT)	1				
83	37002408200	HOSE	4		L=1060		
84	44340295000	JOINT,SWIVEL	4		PT1/4XPF1/4		
85	90101210020	BOLT	4		M10X20		
91	44340297520	REPAIR KIT (O-RINGX2 BACKUPX2SEALX2)	4				
122	80516006004	BEARING,BALL	6				

TM-ZR500 31094010110A FRAME/STD,MANUAL,HOOK-IN

Pos No.	Parts No	Parts Name	Qty	Unit	Technical Data	Serial No (Start)	Serial No (End)
1	31624970000	FRAME ASSY (R/O:WITH LOCK ASSY)	1				
	31624970001	FRAME ASSY(R/O:WITH LOCK ASSY)	1			PA4247	PA4246
4	(*****)	PIPING,REAR JACK (1)	1				
6	(*****)	ELEC.ASSY	1				
7	(*****)	PLATE ASSY,NAME	1				

TM-ZR500 31094010110A FRAME/STD,MANUAL,HOOK-IN

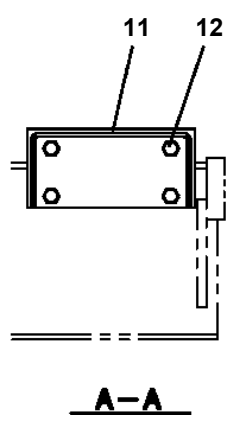
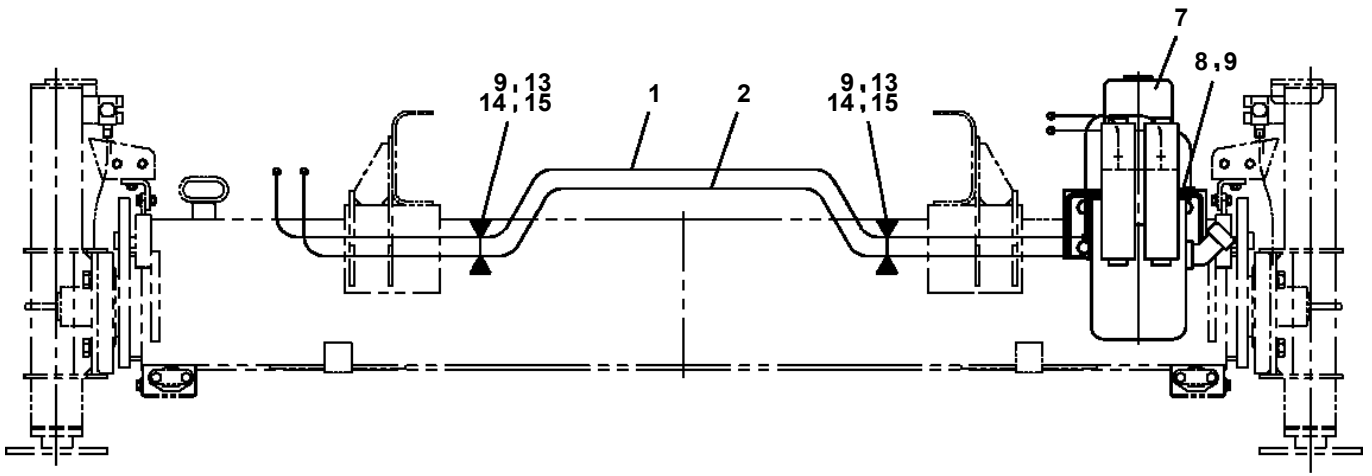
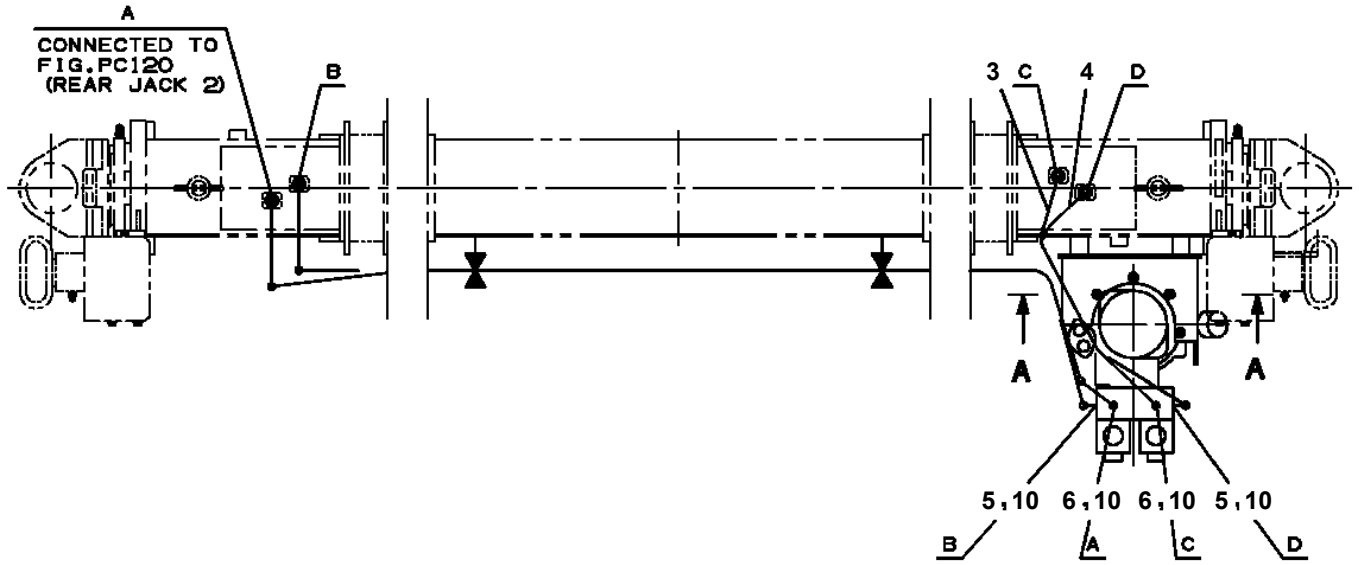
Pos No.	Parts No	Parts Name	Qty	Unit	Technical Data	Serial No (Start)	Serial No (End)
1	36620990000	VALVE,PILOT CHECK	1				
2	90172110035	BOLT,HEXAGON SOCKET	2		M10X35		
3	90172110025	BOLT,HEXAGON SOCKET	4		M10X25		
4	90302041001	WASHER,SPRING	4		10		
5	36032650001	CYLINDER,JACK	1				
11	36032651000	CYLINDER	1				
12	80136363071	PIN,SPLIT	1		6.3X71		
13	37001600000	NUT,CASTLE	1		M36		
14	36032654000	ROD	1				
15	91350207500	BEARING,PLAIN (WITH PACKINGX2)	1				
16	91002803400	O-RING	1		1B P34		
17	36032652000	PISTON	1				
18	36030643000	COVER,ROD	1				
19	91002907000	O-RING	1		1B G70		
20	91694006000	PACKING	1				
21	91410206002	RING,BACKUP	1				
22	36010130030	WASHER	1				
23	91660006000	SEAL,DUST	2				
24	80622000600	RING,RITAINING	1		SP60		
30	36032659900	PACKING SET	1		60X75		

TM-ZR500 31094010110A FRAME/STD,MANUAL,HOOK-IN

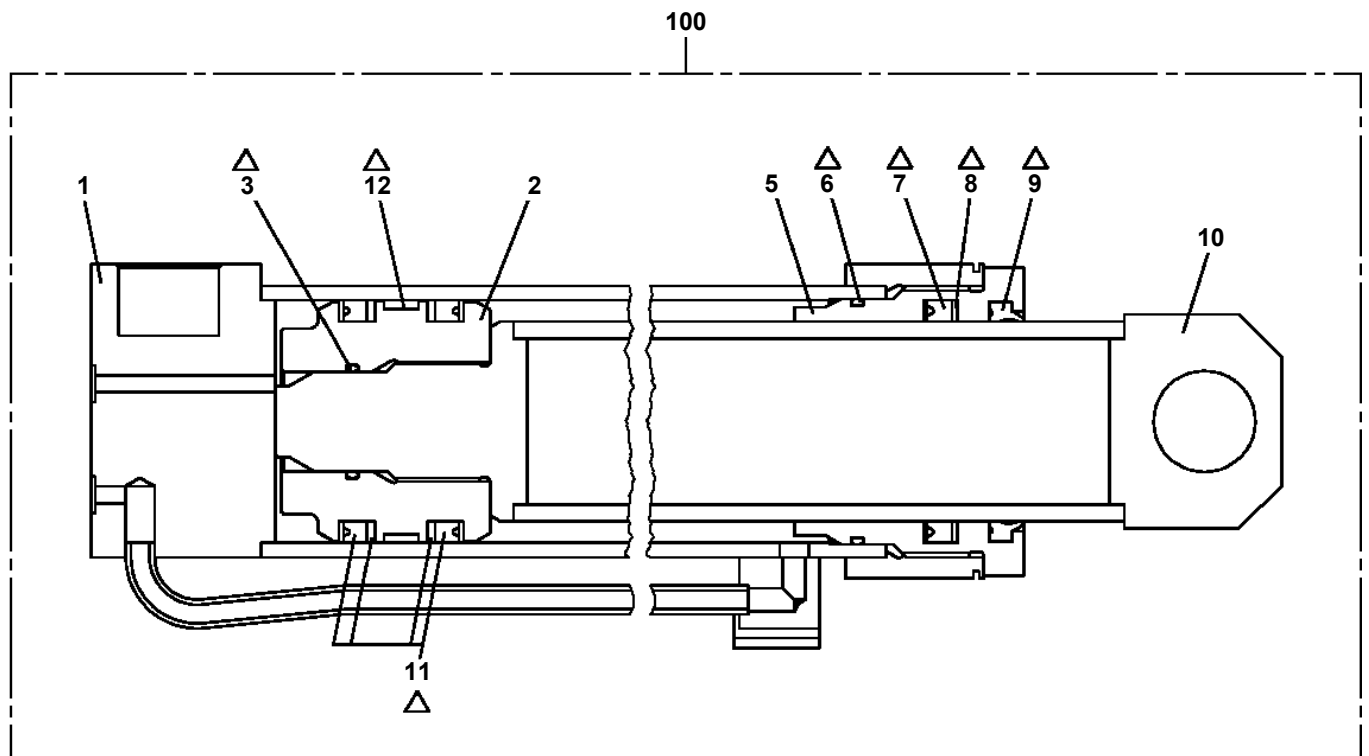
Pos No.	Parts No	Parts Name	Qty	Unit	Technical Data	Serial No (Start)	Serial No (End)	Remarks	Pages
2	31330920700	PLATE	1						
3	31330920800	PIN	1				EW6243		
4	37001201380	SPRING	1						
6	37000161150	PIN	1						
7	80613310060	RING,RITAINING	1		6				
9	80136332020	PIN,SPLIT	1		3.2X20				
10	91810130250	FASTENER	1						
11	31330921100	GRIP	1						
12	90303071401	WASHER,PLAIN	1		14	EW6244			
23	31331610100	PIN	1			EW6244			
32	37001707050	CABLE,CONTROL	1		L=1259				

TM-ZR500 31094010110A FRAME/STD,MANUAL,HOOK-IN
PC1230028-00 PIPING,REAR JACK (ROTARY 1,WITH POWER/S)

FRONT



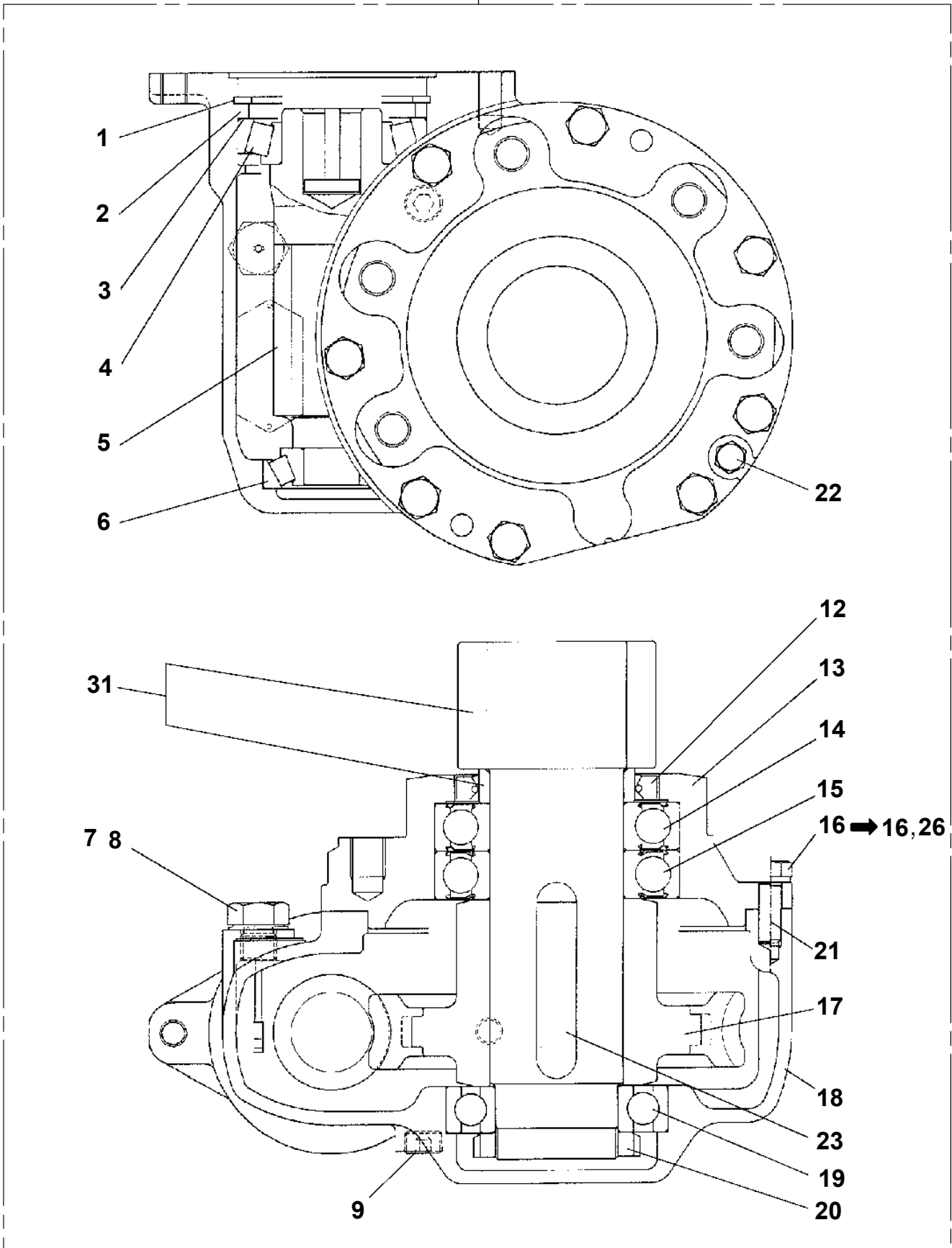
TM-ZR500 31094010110A FRAME/STD,MANUAL,HOOK-IN
PC6390038-01 CYLINDER ASSY,JACK



Δ:PACKING SET KEY NO.30 (KEY NO.3,6,7,8,9,11,12)

TM-ZR500 31094010110A FRAME/STD,MANUAL,HOOK-IN
PD1010145-01 REDUCER,SWING SPEED

50



TM-ZR500 31094010110A FRAME/STD,MANUAL,HOOK-IN

Pos No.	Parts No	Parts Name	Qty	Unit	Technical Data	Serial No (Start)	Serial No (End)	Remarks	Pages
1	90186208014	BOLT,FLANGE	2		M8X14				
2	31653230100	SUPPORT	1						
3	90280200600	NUT,FLANGE	4		M6				
4	90101206040	BOLT	4		M6X40				
5	90303070601	WASHER,PLAIN	4		6				
6	31653230200	CABLE ASSY	1		L=800				
7	91850310405	CLAMP (BLACK)	1						
8	91810130240	FASTENER	3						

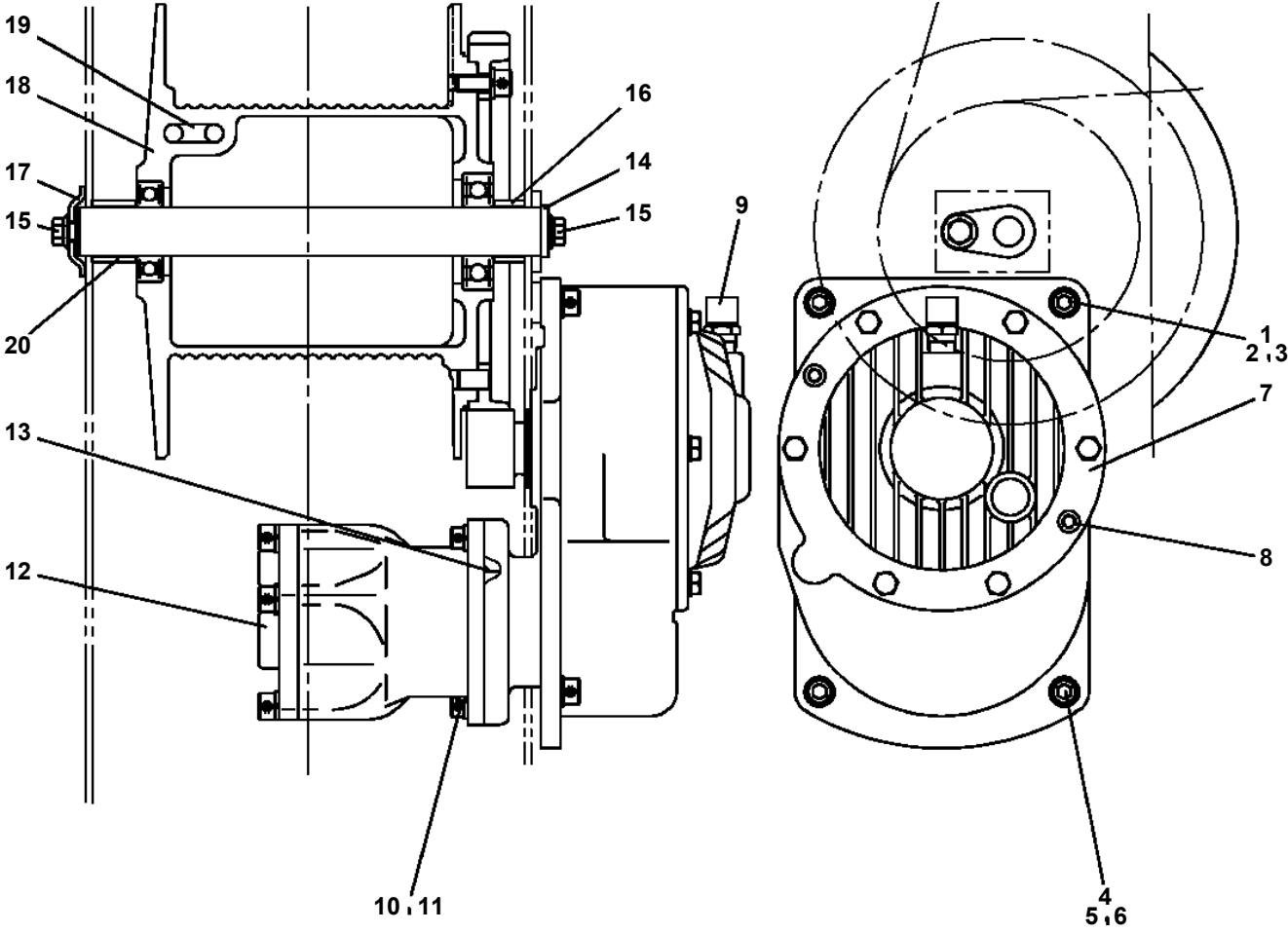
TM-ZR500 31094010110A FRAME/STD,MANUAL,HOOK-IN

Pos No.	Parts No	Parts Name	Qty	Unit	Technical Data	Serial No (Start)	Serial No (End)	Remarks	Pa
1	36072280000	WINCH (DRUM FREE)	1						000
2	91001206000	O-RING	1		1A G60				
4	31310610500	BREATHER,AIR	1						

TM-ZR500 31094010110A FRAME/STD,MANUAL,HOOK-IN
 PF1010335-00 WINCH (DRUM FREE)

1	ウインチ WINCH
2	マウント MOUNT
3	パイピング,ウインチ PIPING,WINCH
4	ハイセンASSY ELEC.ASSY
5	プレートASSY,ネーム (ドラム フリー) PLATE ASSY,NAME (DRUM FREE)
6	プレートASSY,ネーム (イツホンツリソウサ) PLATE ASSY,NAME (1-PART LINE OPE.)
7	ディテクタ,ディソータリ ワインド DETECTOR,DISORDERLY WIND
8	ガイド,ロープ GUIDE,ROPE
9	ディテクタ,オーバ ワインド DETECTOR,OVER WIND
10	フック HOOK

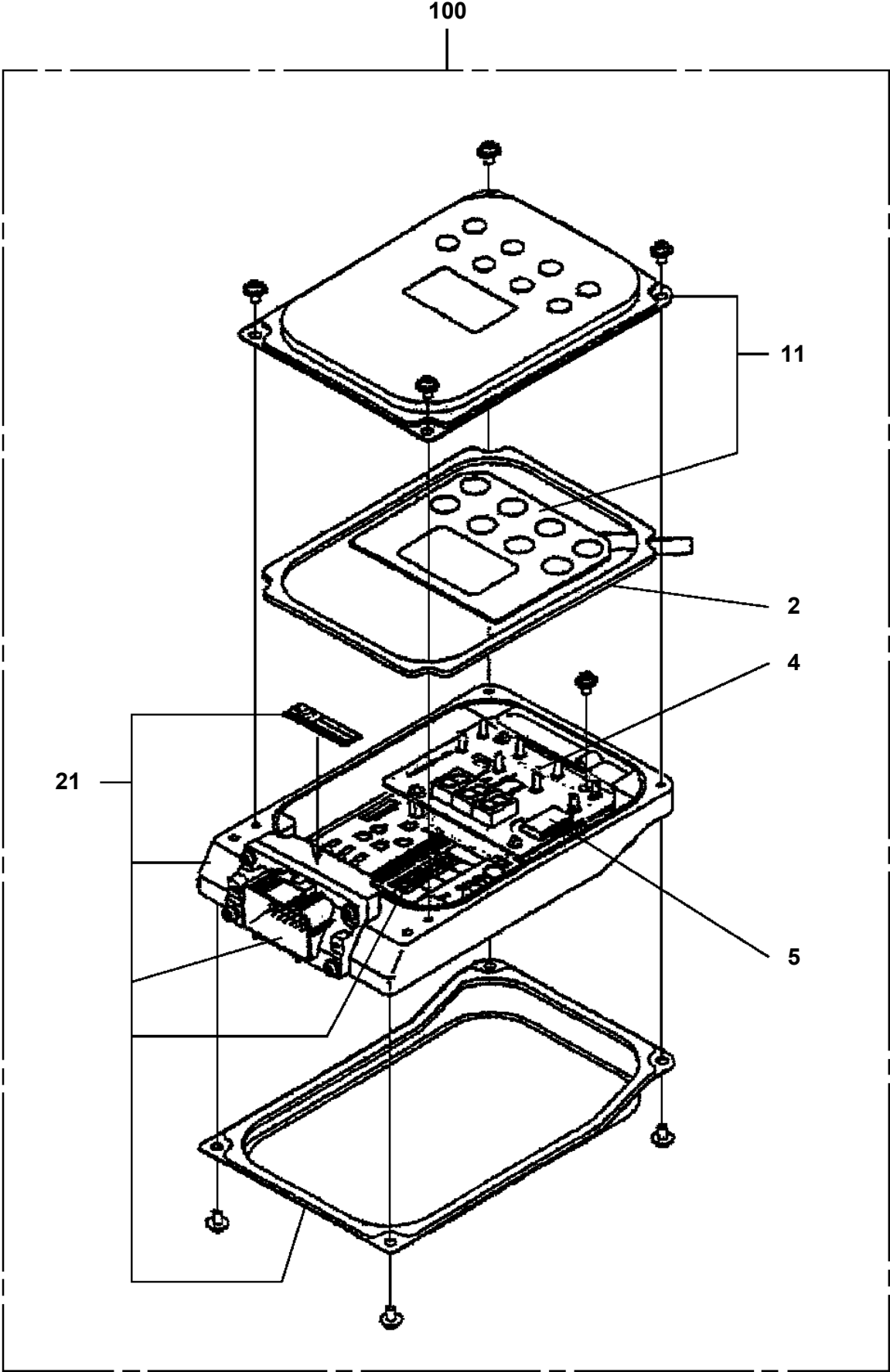
TM-ZR500 31094010110A FRAME/STD,MANUAL,HOOK-IN
PF1400321-00 MOUNT,WINCH



**TM-ZR500 31094010110A FRAME/STD,MANUAL,HOOK-IN
PG1020004-00 GUIDE,ROPE (RETAINING WIRE ROPE)**

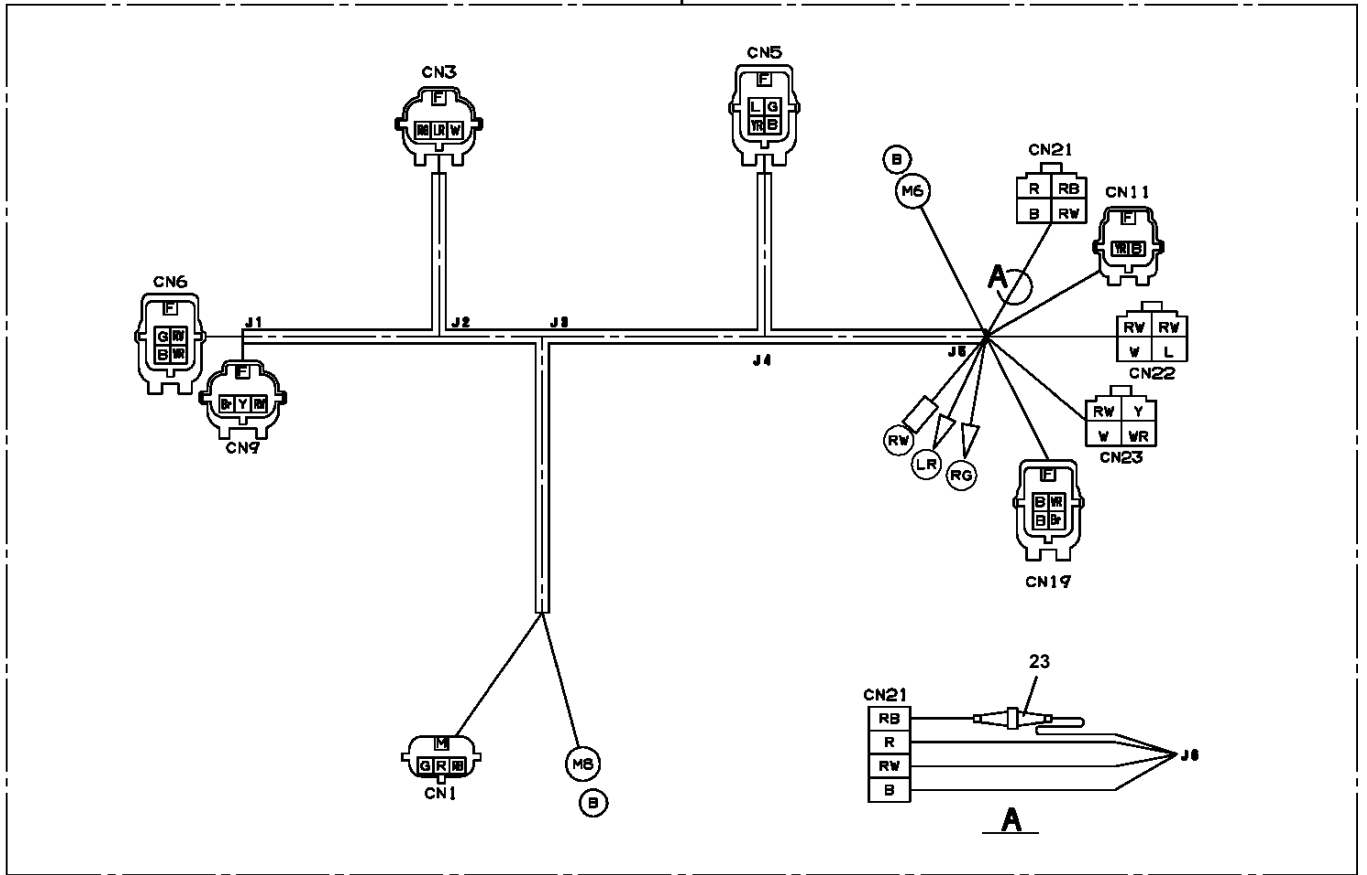
1	ガイド , ロープ GUIDE, ROPE
2	フック HOOK
3	ディテクタ , オーバークレント DETECTOR, OVER WIND
4	プレートASSY , ネーム PLATE ASSY, NAME

TM-ZR500 31094010110A FRAME/STD,MANUAL,HOOK-IN
PH1250115-00 MOMENT LIMITER (BML)

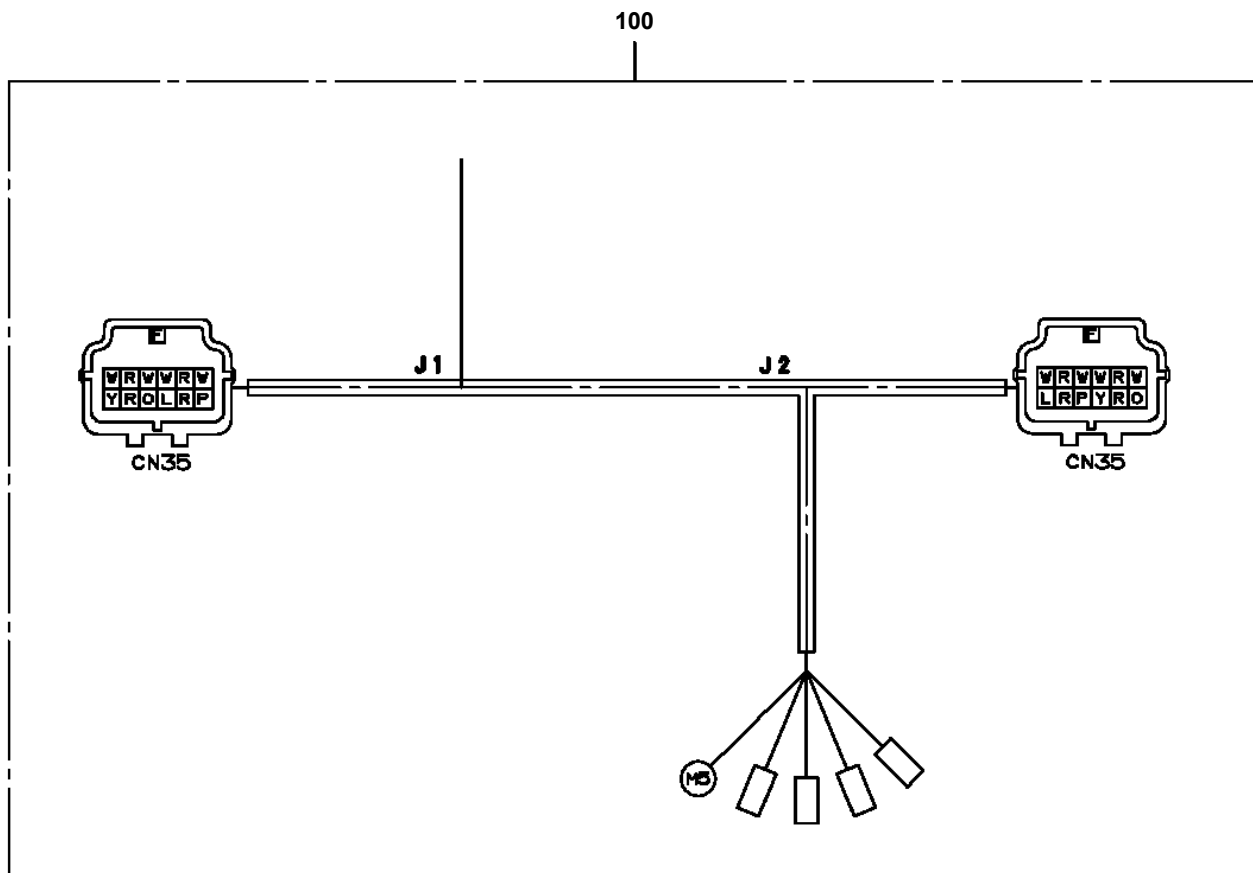


TM-ZR500 31094010110A FRAME/STD,MANUAL,HOOK-IN
 PH5031463-01 HARNESS

100

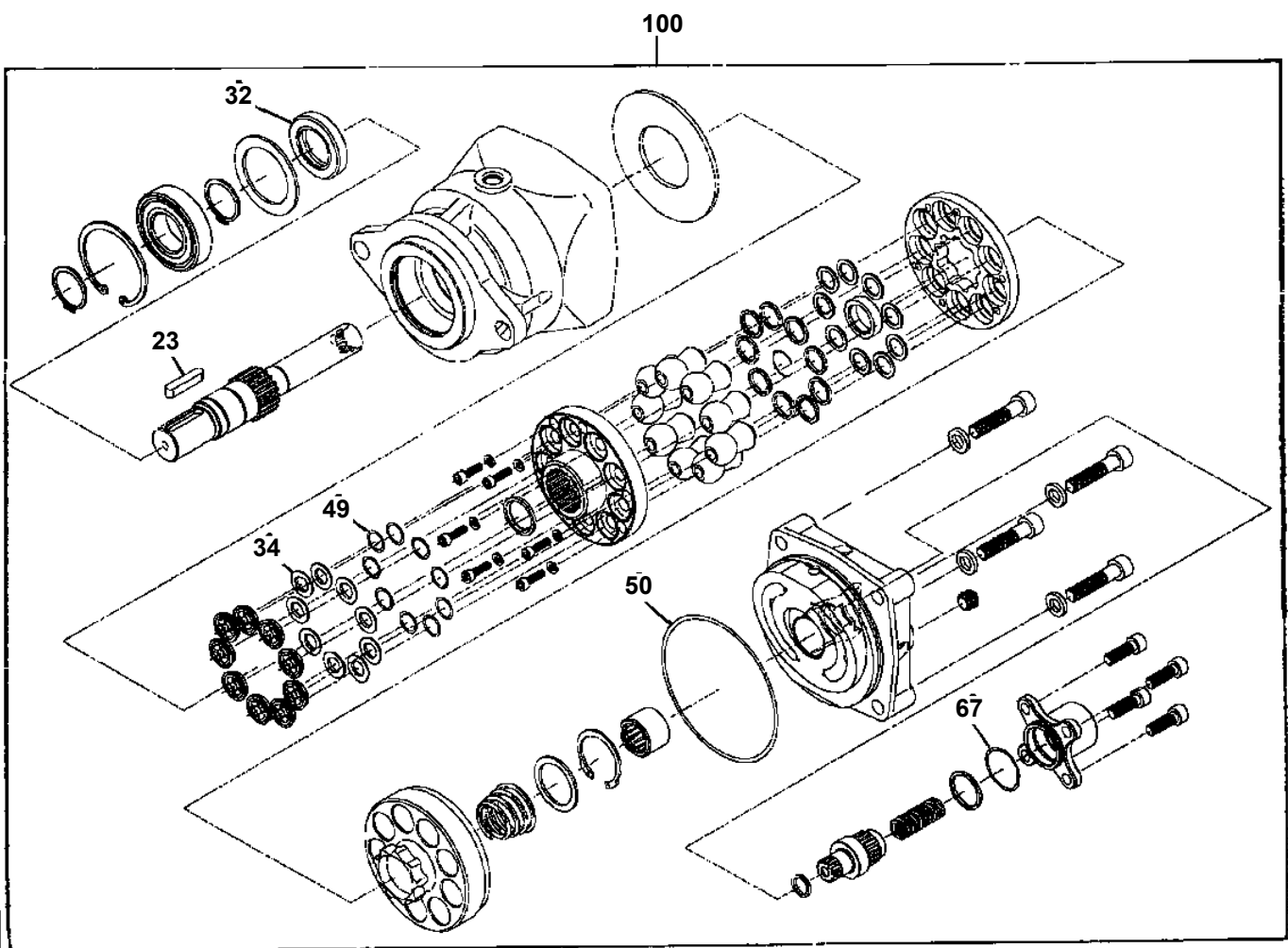


TM-ZR500 31094010110A FRAME/STD,MANUAL,HOOK-IN
PH5032321-00 HARNESS



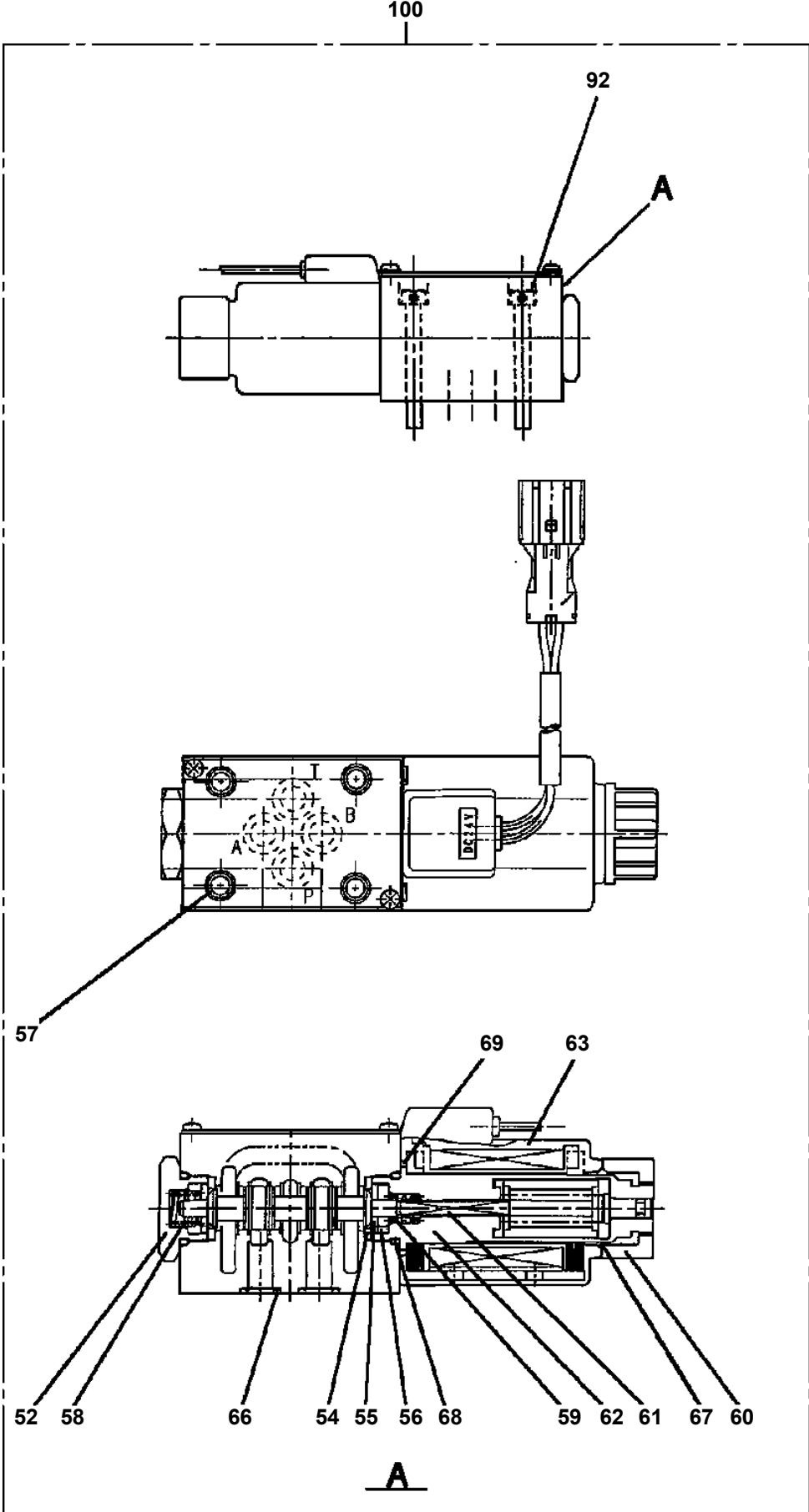
TM-ZR500 31094010110A FRAME/STD,MANUAL,HOOK-IN
PI1010077-01 MOTOR,HYDRAULIC (SWING)

MOTOR, HYDRAULIC (SWING)



*SEAL KIT KEY NO.80:(KEY NO. 32,34,49,50,67)

TM-ZR500 31094010110A FRAME/STD,MANUAL,HOOK-IN
PI1120196-03 VALVE,SOLENOID



TM-ZR500 31094010110A FRAME/STD,MANUAL,HOOK-IN

Pos No.	Parts No	Parts Name	Qty	Unit	Technical Data	Serial No (Start)	Serial No (End)	Remarks	Pa
2	91002801400	O-RING	2		1B P14				
6	91002800700	O-RING	1		1B P7				
50	36623930000	VALVE,PILOT CHECK	1						

TM-ZR500 31094010110A FRAME/STD,MANUAL,HOOK-IN

Pos No.	Parts No	Parts Name	Qty	Unit	Technical Data	Serial No (Start)	Serial No (
1	36682740000	METER,LOAD (3.0TON NAGANO/FRENCH)	1				

TM-ZR500 31094010110A FRAME/STD,MANUAL,HOOK-IN

Pos No.	Parts No	Parts Name	Qty	Unit	Technical Data	Serial No (Start)	S
1	36682420000	METER,LOAD (2.9TON KUSABA/ENG.& JAPANESE)	1				

TM-ZR500 31094010110A FRAME/STD,MANUAL,HOOK-IN

Pos No.	Parts No	Parts Name	Qty	Unit	Technical Data	Serial No (Start)	Serial N
1	(*****)	MOUNT (PLATE/VALVE,SOLENOID)	1				
2	(*****)	PIPING,LOWER	1				
3	(*****)	ELEC.ASSY (CRANE/BOOM,JACK INTERLOCK)	1				
4	(*****)	ELEC.ASSY (CARRIER)	1				
6	(*****)	PLATE ASSY,NAME (BOOM,JACK INTERLOCK)	1				

TM-ZR500 31094010110A FRAME/STD,MANUAL,HOOK-IN

Pos No.	Parts No	Parts Name	Qty	Unit	Technical Data	Serial No (Start)	Serial No (End)	Remarks	Pages
1	31230989510	POST	1						
2	37000177540	PIN	1						
3	80136363080	PIN,SPLIT	1		6.3X80				
4	37000177520	PIN	1						
	37000209240	PIN	1			PA3684	PA3683		
5	31230622500	COVER	1						
6	31630302000	PLATE	1		T=1.5				
7	90101210016	BOLT	2		M10X16				
8	31230980300	COVER	1						
9	90186208010	BOLT,FLANGE	7		M8X10				
10	82458102000	NIPPLE,GREASE	1		B-PT1/8				
11	82400000459	CAP	1						
12	31230883000	COVER (IRON)	1						
	31230883500	COVER (PLASTIC)	1						
13	31630482000	PLATE	1						
16	90451700100	SCREW,TAPPING	4		M4X6.4				
41	31230580220	SUPPORT	2						

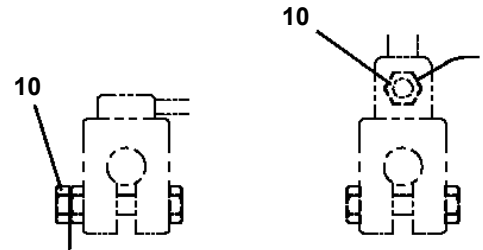
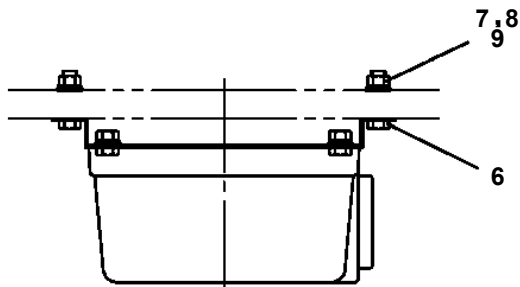
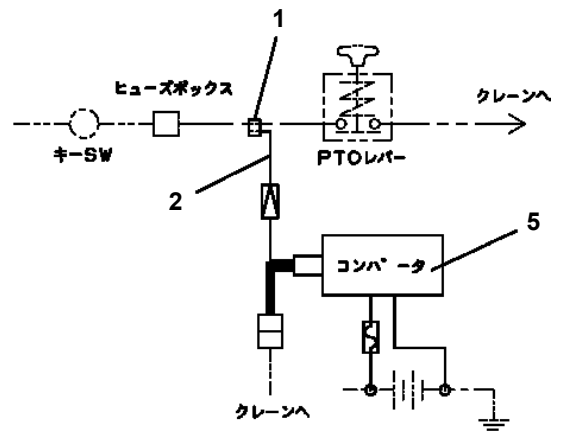
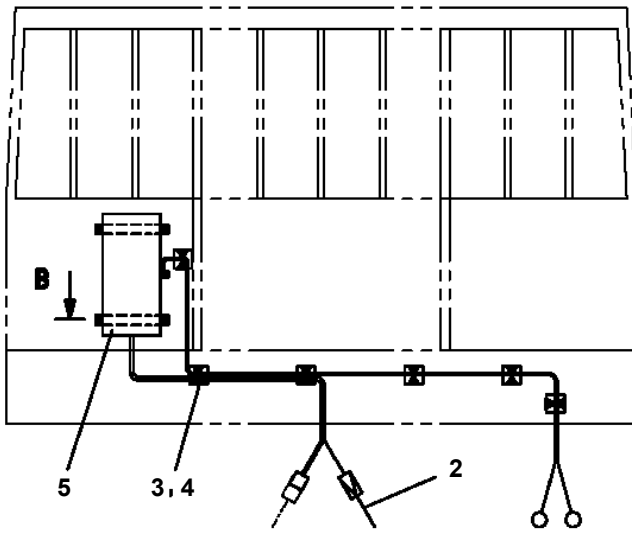
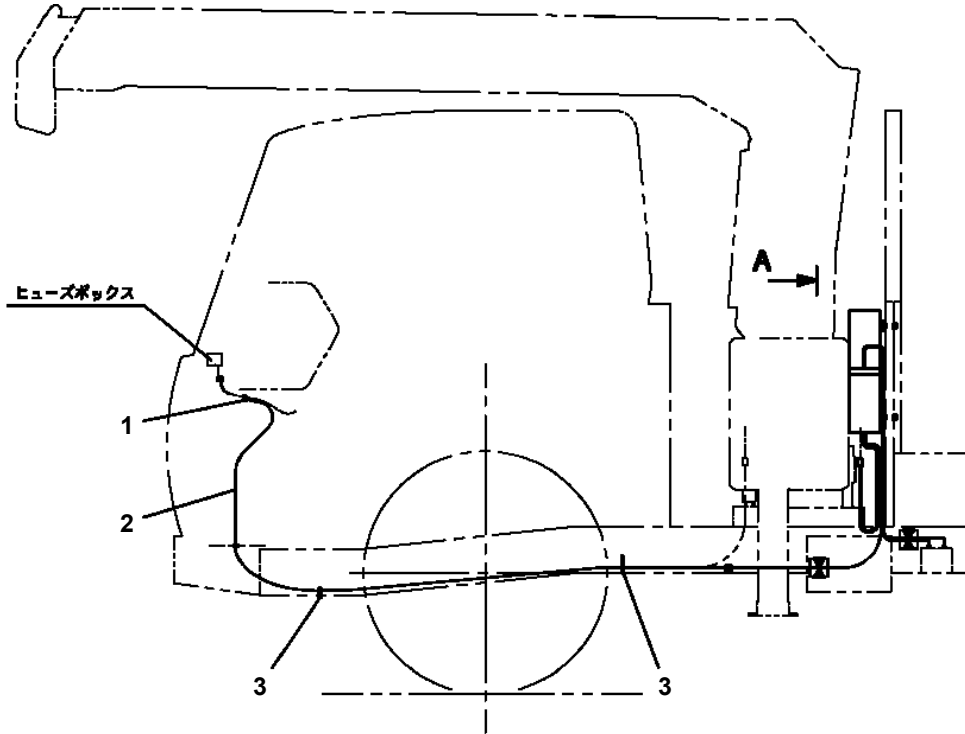
TM-ZR500 31094010110A FRAME/STD,MANUAL,HOOK-IN

Pos No.	Parts No	Parts Name	Qty	Unit	Technical Data	Serial No (Start)	Serial No
1	(*****)	FRAME	1				
2	(*****)	TANK,OIL (MOUNT)	1				
3	(*****)	SWING UNIT	1				EW0248
	(*****)	SWING UNIT	1			EW0249	
4	(*****)	COVER,BEARING	1				
5	31631320000	JOINT,ROTARY	1				EW0414
	31631680000	JOINT,ROTARY	1			EW0415	
6	(*****)	STOPPER,ROTARY JOINT	1				
7	(*****)	SWING FRAME	1				
8	31241060000	CYLINDER,ELEVATING	1				
9	(*****)	MOUNT,WINCH	1				
10	(*****)	PIPING,UPPER	1				
11	(*****)	OPE.ASSY,CONT.VALVE (CRANE)	1				
21	(*****)	PIPING,LOWER	1				EW0248
	(*****)	PIPING,LOWER	1			EW0249	
22	(*****)	PIPING,LOWER (VALVE/NABCO)	1				EW0248
	(*****)	PIPING,LOWER (VALVE/NABCO)	1			EW0249	
24	(*****)	ELEC.ASSY	1				
25	(*****)	ELEC.ASSY (SWITCH COVER)	1				
28	36682510000	METER,LOAD (3.0TON NAGANO/ENGLISH)	1				
	36682500000	METER,LOAD (3.0TON KUSABA/ENGLISH)	1				
	36682740000	METER,LOAD (3.0TON NAGANO/FRENCH)	1				
	36683370000	METER,LOAD (3.2TON KUSABA/ENGLISH)	1				EW4799
	36683380000	METER,LOAD (3.2TON NAGANO/ENGLISH)	1				EW4799
	36683590000	METER,LOAD (3.1TON ENGLISH/KUSABA)	1			EW4800	
30	(*****)	OUTRIGGER (MOUNT,L=700)	1				
	(*****)	OUTRIGGER (MOUNT,L=590)	1				
	(*****)	OUTRIGGER (MOUNT,L=900/FOR EXPORT)	1				
32	(*****)	DETECTOR,DISORDERLY WINDING	1				

TM-ZR500 31094010110A FRAME/STD,MANUAL,HOOK-IN

Pos No.	Parts No	Parts Name	Qty	Unit	Technical Data	Serial No (Start)	Serial No (End)	Remarks	Pages
1	90171110016	BOLT	4		M10X16				
2	90302041001	WASHER,SPRING	4		10				
4	37000105610	PIN	21		L=18				
5	80620210050	PIN,SNAP	22						
6	31323630200	ROD ASSY	1						
7	37000164930	PIN	1						
8	31322224200	PLATE	7		L=1				
9	80136840020	PIN,SPLIT	2		4X20				
10	31323140450	LEVER	1						
11	31323140350	LEVER	1						
12	31323140250	LEVER	1						
13	31323140150	LEVER	1						
14	31323330100	KNOB (BLACK)	3						
15	31323330200	KNOB (RED)	1						
16	90101210050	BOLT	1		M10X50				
17	37000147840	PIN	1						
18	31323630300	ROD ASSY	1						
19	31323144200	SUPPORT	1						
20	90186208040	BOLT,FLANGE	1		M8X40				
21	37000311660	SPACER	3		L=19				
22	31323144300	LINK	1						
23	37000311490	SPACER	1		L=20				
25	90303071201	WASHER,PLAIN	1		12				
26	37002220460	PLATE,NAME	1						
27	37002220470	PLATE,NAME	1						
28	37002220480	PLATE,NAME	1						
29	37002220490	PLATE,NAME	2						
30	37002220530	PLATE,NAME	1						
31	37002220540	PLATE,NAME	1						
32	37002220550	PLATE,NAME	1						
33	31270212000	CAP	1						
41	31323301100	SUPPORT	1						
42	31322031150	SUPPORT	1						
43	90186208010	BOLT,FLANGE	2		M8X10				
44	90102208035	BOLT	1		M8X35				
45	31323330200	KNOB (RED)	1						
46	31323330100	KNOB (BLACK)	3						
47	31323141850	LEVER	1						
48	31323140350	LEVER	1						
49	31323140250	LEVER	1						
50	31323140150	LEVER	1						
51	37000175340	PIN	1						
52	80136840020	PIN,SPLIT	3		4X20				
53	31322224200	PLATE	8		L=1		EW0293		
	31322224200	PLATE	7		L=1	EW0294			
54	31323141500	SUPPORT	1				EW0293		
55	80824001206	BEARING,PLAIN	2						
56	90201200800	NUT	1		M8				
57	37000311190	SPACER	1		L=16				
58	31323141200	LINK	1				EW0293		
	31323141201	LINK	1			EW0294			
59	90303071201	WASHER,PLAIN	2		12				
71	31323630250	ROD	1						
72	90203200800	NUT	2		M8				
73	31320810210	END	2						
81	31323630350	ROD	1						
101	31323141250	LINK	1				EW0293		
102	31323141300	PIN	1				EW0293		
103	80620210120	PIN,SNAP	1						
104	31323141350	ROLLER	1						
111	31323141600	SUPPORT	1				EW0293		
112	31323331550	SUPPORT	1				EW0293		
113	80136332016	PIN,SPLIT	1		3.2X16		EW0293		

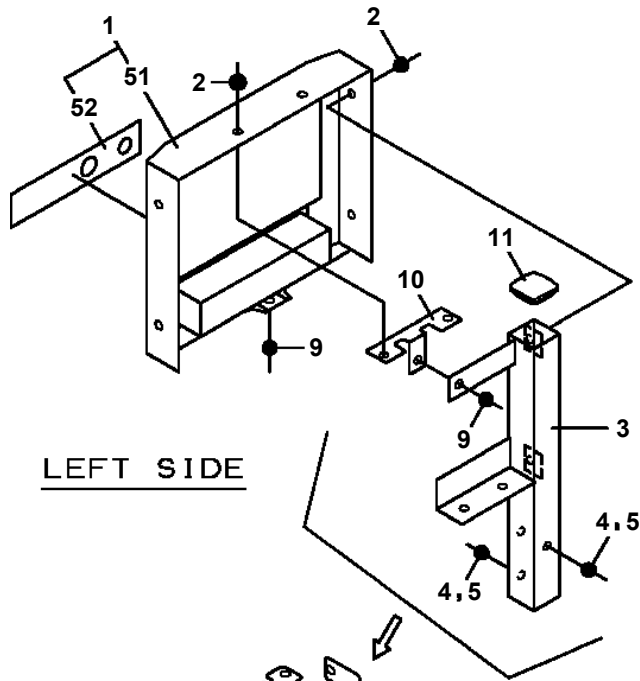
TM-ZR500 31094010110A FRAME/STD,MANUAL,HOOK-IN
 PN1012230-01 ELEC.ASSY (AC100V300W LAMP/CARRIER)



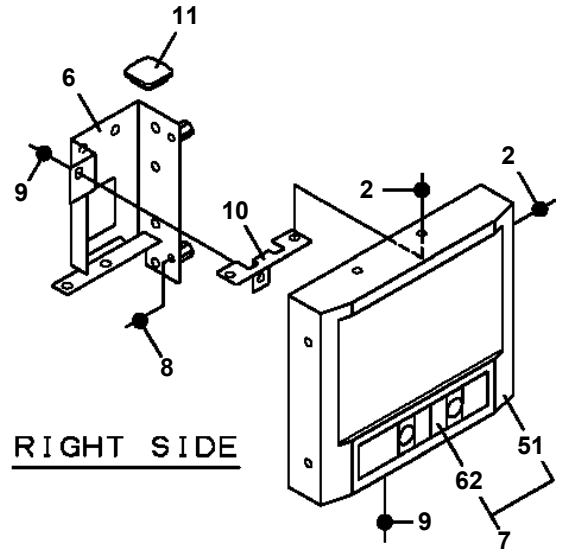
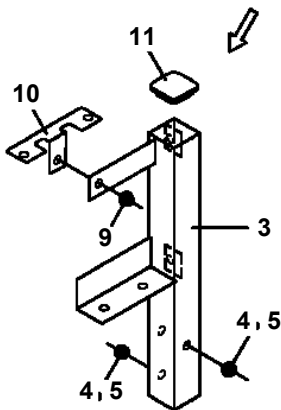
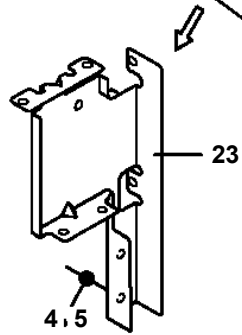
イスズ、トヨタ、日デ
 マツダ、ダイハツ、
 日野のマイナスの場合

日野のプラスの場合

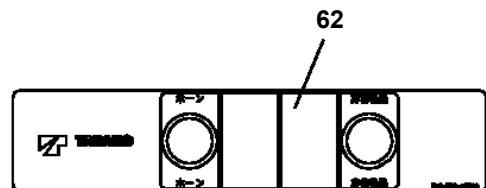
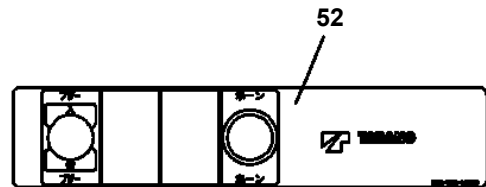
**TM-ZR500 31094010110A FRAME/STD,MANUAL,HOOK-IN
PN1012304-07 ELEC.ASSY (SWITCH COVER)**



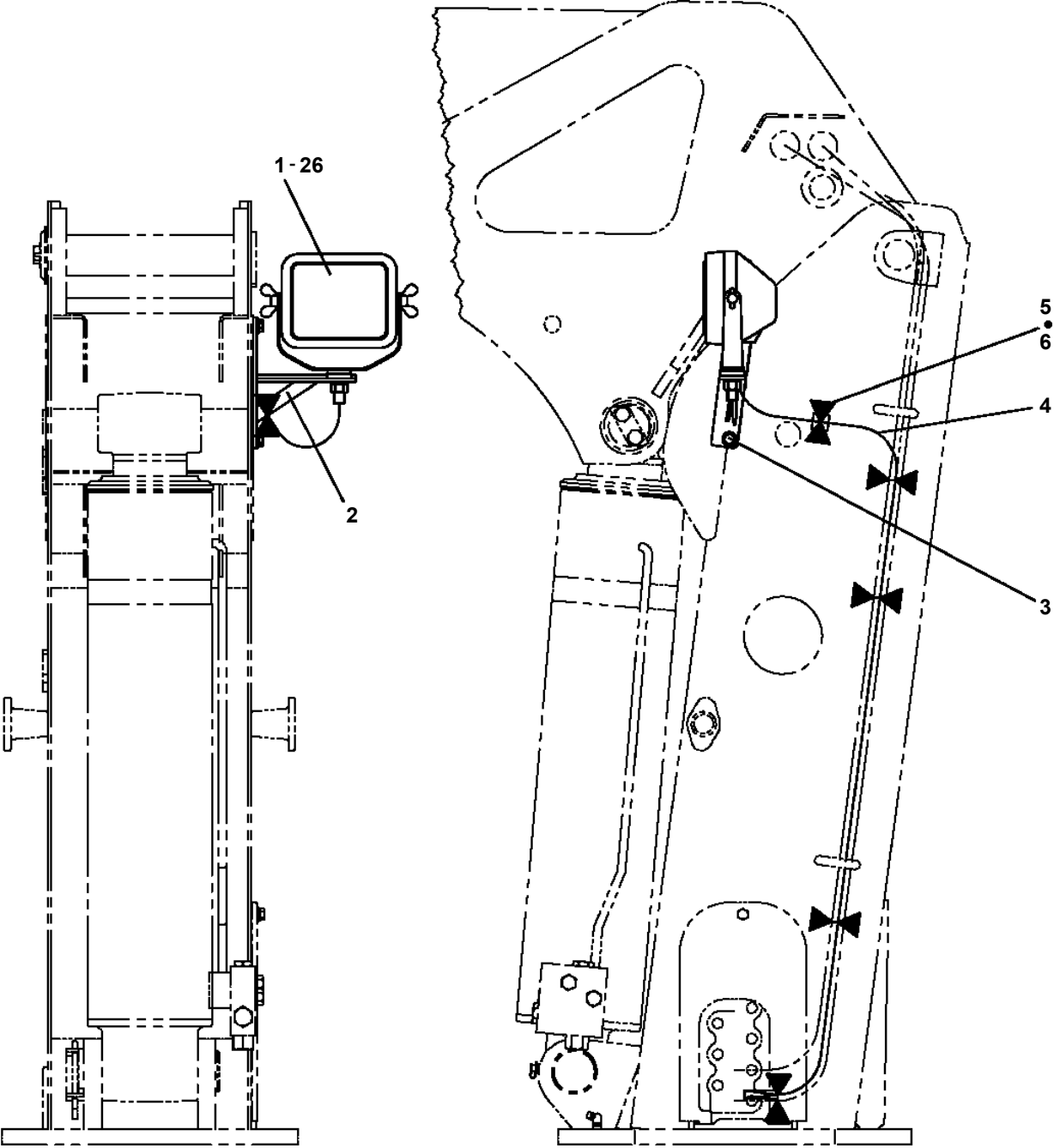
LEFT SIDE



RIGHT SIDE



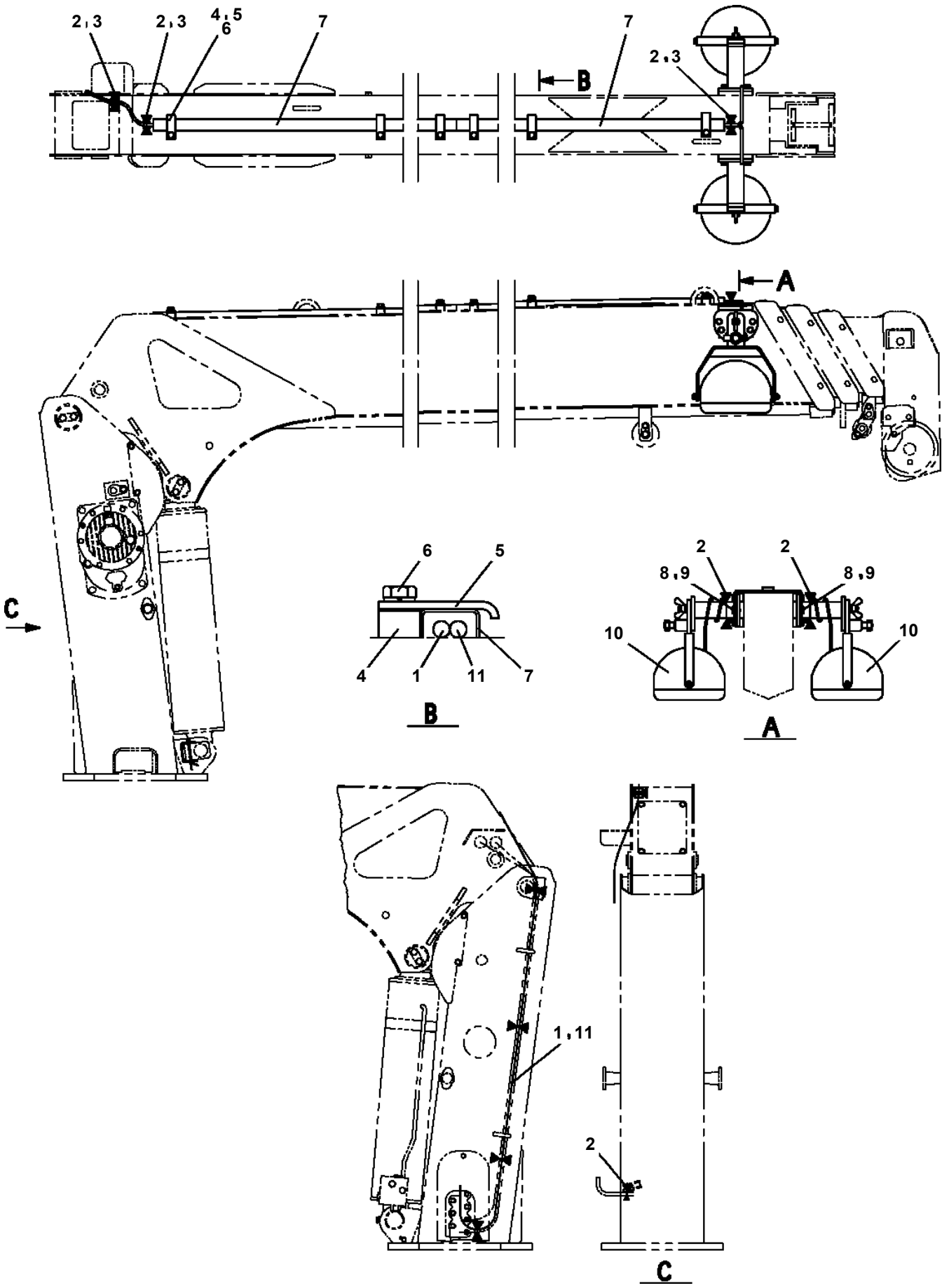
TM-ZR500 31094010110A FRAME/STD,MANUAL,HOOK-IN
PN1012344-02 ELEC.ASSY (24V60W LAMP/MOUNT,POST)



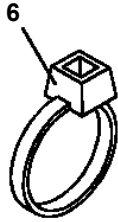
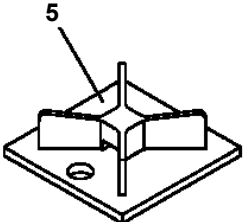
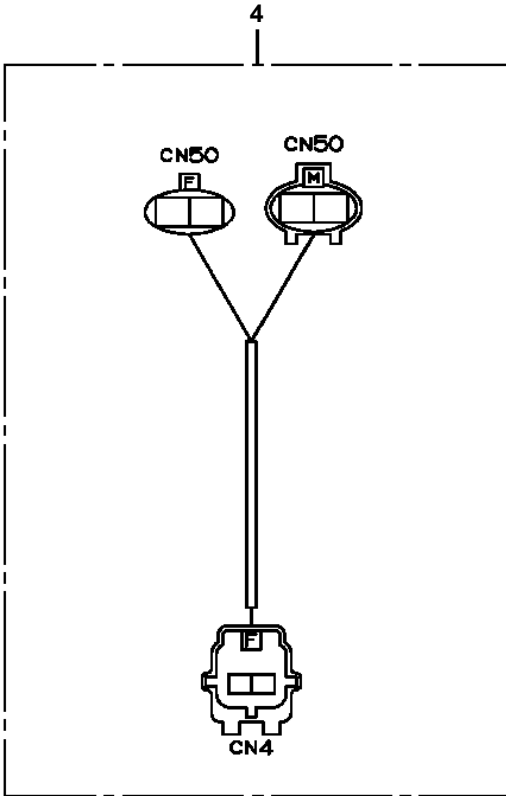
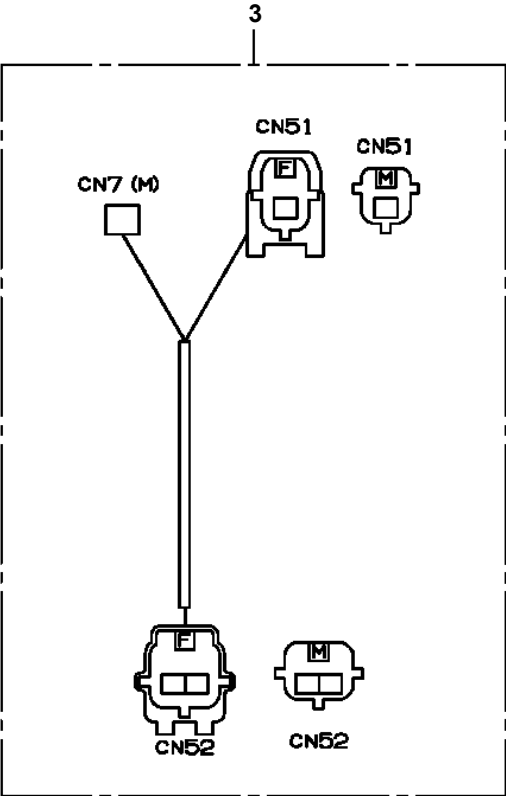
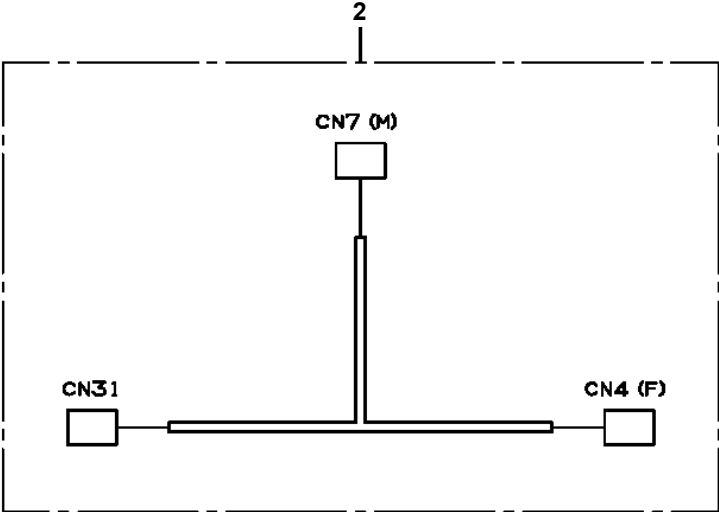
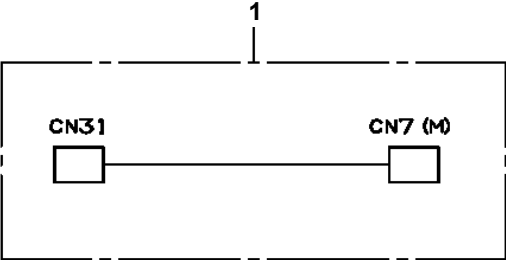
TM-ZR500 31094010110A FRAME/STD,MANUAL,HOOK-IN

Pos No.	Parts No	Parts Name	Qty	Unit	Technical Data	Serial No (Start)	Serial No (End)	Ren
1	31653223200	SWITCH ASSY (PLATING:NACC)	1					
2	31270230700	PLATE,NAME	1					
3	31653221100	SPEAKER (ASSY ONLY)	1					
4	90280200800	NUT,FLANGE	1		M8			
5	82197600103	CAP (RED)	1					
6	91810130240	FASTENER	15					
7	31653224200	SWITCH ASSY (PLATING:NACC)	1					
8	82197518114	CAP (MATSUSHITA/BLACK)	2					
	82197518119	CAP (PLUS ONE MFG./BLACK)	2					
9	31653221201	HARNESS	1					
10	90280200600	NUT,FLANGE	2		M6			
11	82400000475	PLATE	1					
12	31651760800	PLATE,CAUTION	1					
13	90186206010	BOLT,FLANGE	8		M6X10			
14	31270230600	PLATE,NAME	1					
15	31653221300	COVER	1					
16	90303070601	WASHER,PLAIN	4		6			
17	90101206030	BOLT	4		M6X30			
18	80192483006	SCREW,MACHINE	4		M3X6			
19	82401800120	PLUG (FOR M12)	2					
20	31653221400	PLATE,NAME	1					
21	82197600101	CAP (BLACK)	4					
22	82401800080	PLUG (FOR M8)	1					
23	90302040601	WASHER,SPRING	4		6			

TM-ZR500 31094010110A FRAME/STD,MANUAL,HOOK-IN
PN1013786-00 ELEC.ASSY (UPPER)



TM-ZR500 31094010110A FRAME/STD,MANUAL,HOOK-IN
PN1014118-00 ELEC.ASSY



CLICK HERE TO **DOWNLOAD** THE COMPLETE MANUAL

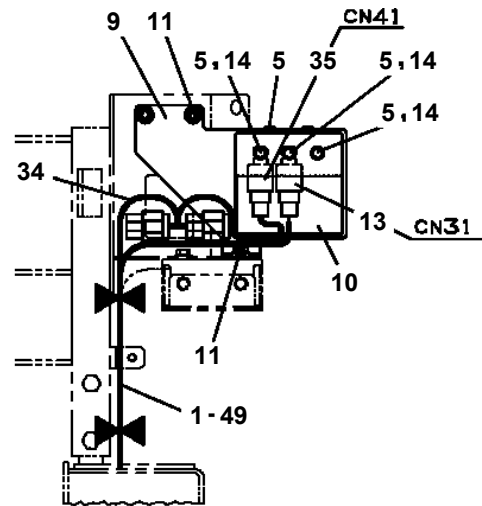
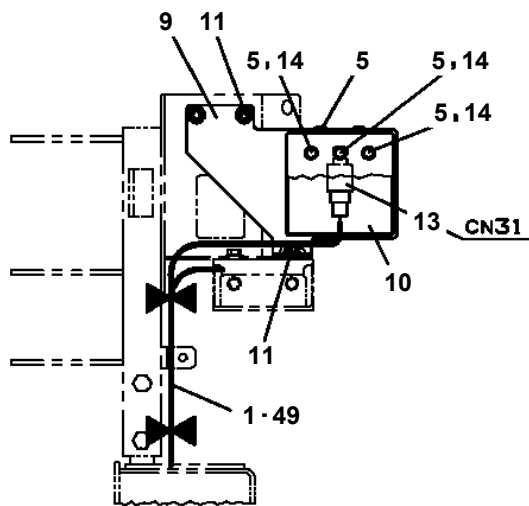
- Thank you very much for reading the preview of the manual.
- You can download the complete manual from: www.heydownloads.com by clicking the link below



- Please note: If there is no response to CLICKING the link, please download this PDF first and then click on it.

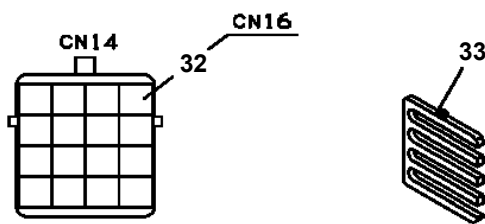
CLICK HERE TO **DOWNLOAD** THE COMPLETE MANUAL

TM-ZR500 31094010110A FRAME/STD, MANUAL, HOOK-IN
 PN1014290-02 ELEC. ASSY (CRANE/BOOM, JACK INTERLOCK)



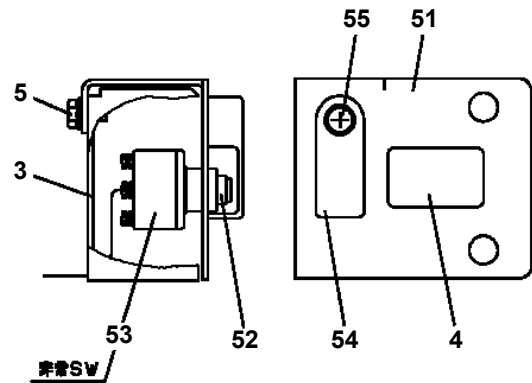
ZR360SL, 500SLの場合

B

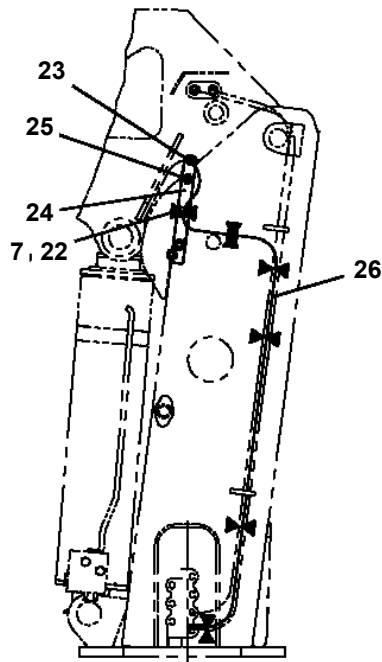


C

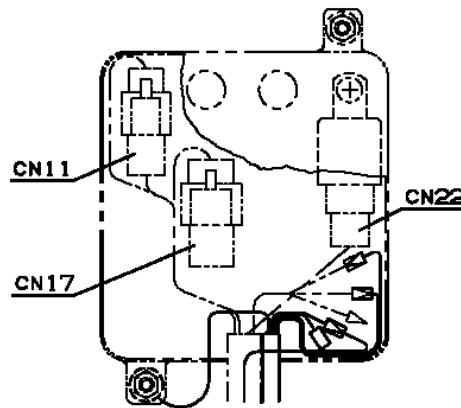
パルプコネクタボックス内配線



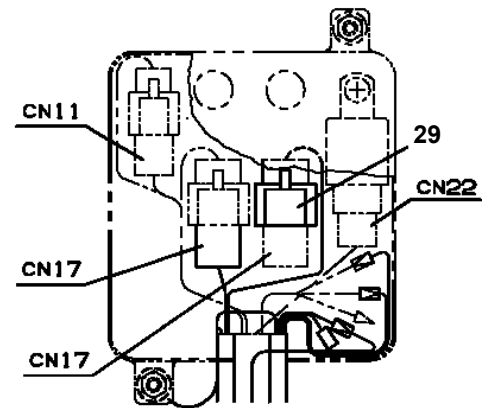
キャブ内



ポスト部



アイズ仕様の場合



アイズ仕様以外の場合

A

TM-ZR500 31094010110A FRAME/STD,MANUAL,HOOK-IN

Pos No.	Parts No	Parts Name	Qty	Unit	Technical Data	Serial No (Start)	Serial No (End)
1	82109902050	SWITCH,THERMO	1				
2	91850310405	CLAMP (BLACK)	6				
3	91810130240	FASTENER	15				
4	31501162100	HARNESS	1				PA1301
	31501162101	HARNESS	1			PA1302	
6	90186206010	BOLT,FLANGE	2		M6X10		
8	31653241300	COVER	1				
9	82100001400	TERMINAL	1				
10	82100001220	INSULATOR	1				
11	82100002596	RELAY	1				PA1301
	34354781710	RELAY (WITH BRACKET)	1			PA1302	
12	90280200600	NUT,FLANGE	1		M6		
13	80192486012	SCREW,MACHINE	1		M6X12		PA1301
	80197586012	SCREW,MACHINE	1		M6X12	PA1302	
31	31653243100	SUPPORT	1				
32	82197518119	CAP (PLUS ONE MFG./BLACK)	1				
	82197518114	CAP (MATSUSHITA/BLACK)	1				
33	31477311200	SWITCH ASSY (PLATING:NACC)	1				
34	31501162210	PLATE,NAME (OIL COOLER ON/OFF)	1				

TM-ZR500 31094010110A FRAME/STD,MANUAL,HOOK-IN

Pos No.	Parts No	Parts Name	Qty	Unit	Technical Data	Serial No (Start)	Serial No (End)
1	(*****)	ELEC.ASSY (LAMP,LOWER/FRAME)	1				
2	(*****)	ELEC.ASSY (24V60W LAMP/MOUNT,POST)	1				

TM-ZR500 31094010110A FRAME/STD,MANUAL,HOOK-IN

Pos No.	Parts No	Parts Name	Qty	Unit	Technical Data	Serial No (Start)	Serial No (End)	P
1	82105501001	SWITCH,TOGGLE (PLATING)	1					
2	82101940130	SWITCH,PUSH (3PJW106F-021-CC)	1					
10	31653244200	SWITCH ASSY (PLATING:NACC)	1					

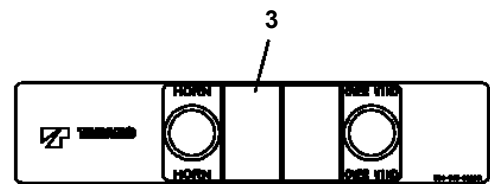
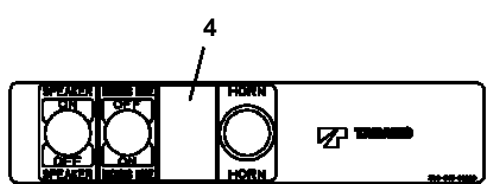
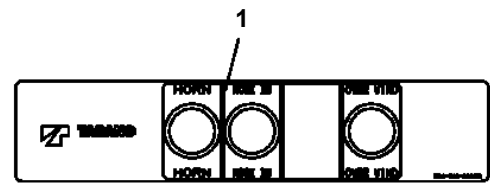
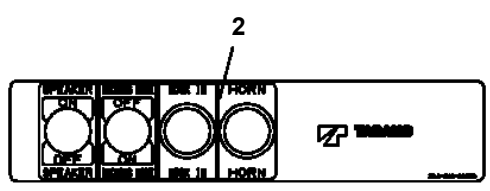
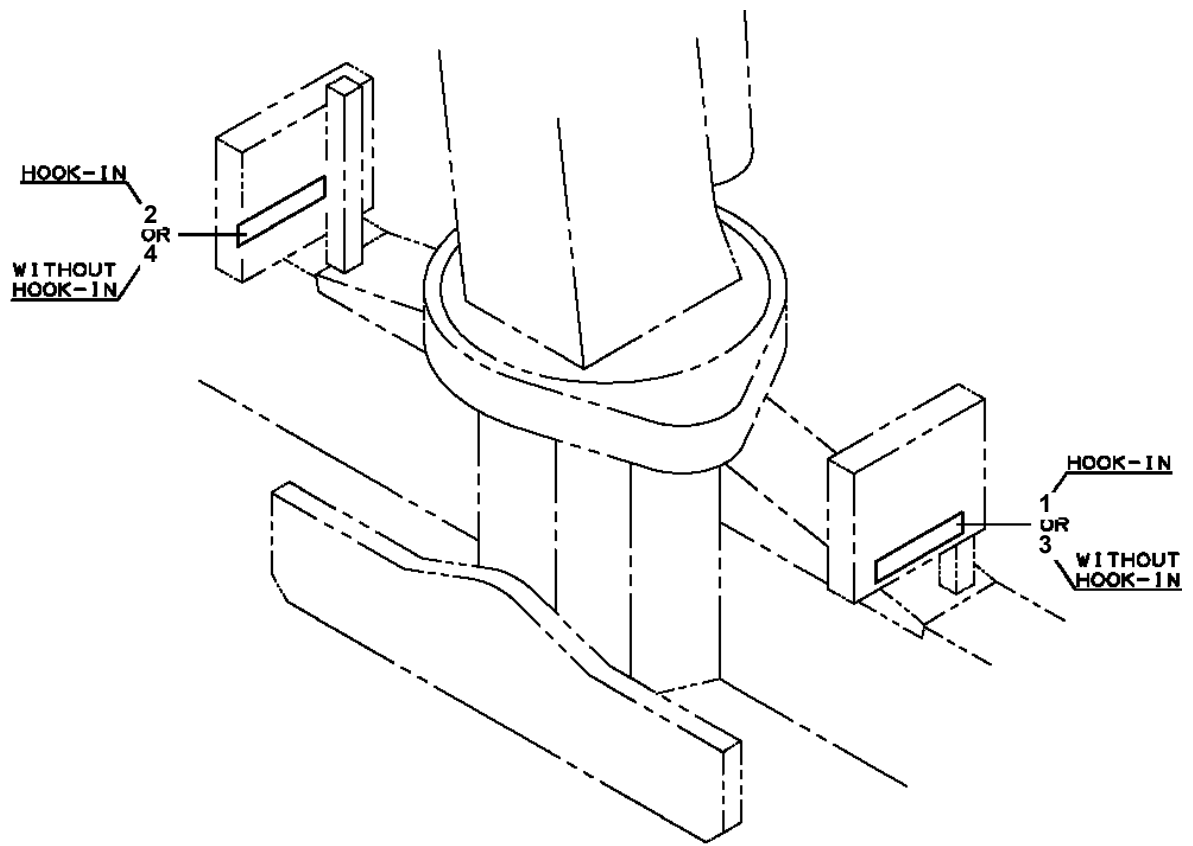
TM-ZR500 31094010110A FRAME/STD,MANUAL,HOOK-IN

Pos No.	Parts No	Parts Name	Qty	Unit	Technical Data	Serial No (Start)	Serial No (End)
1	82105410110	SWITCH,TOGGLE	2				
2	82101429241	SWITCH,PUSH (GREEN)	2				
10	31653224300	SWITCH ASSY (GREEN:PANASONIC)	1				

TM-ZR500 31094010110A FRAME/STD,MANUAL,HOOK-IN

Pos No.	Parts No	Parts Name	Qty	Unit	Technical Data	Serial No (Start)	Serial No (End)
1	82105501003	SWITCH,TOGGLE	2				
10	31653322200	SWITCH ASSY (WITH HARNESS,2-SW)	1				

**TM-ZR500 31094010110A FRAME/STD,MANUAL,HOOK-IN
PN5010072-01 NAME PLATE ASSY**

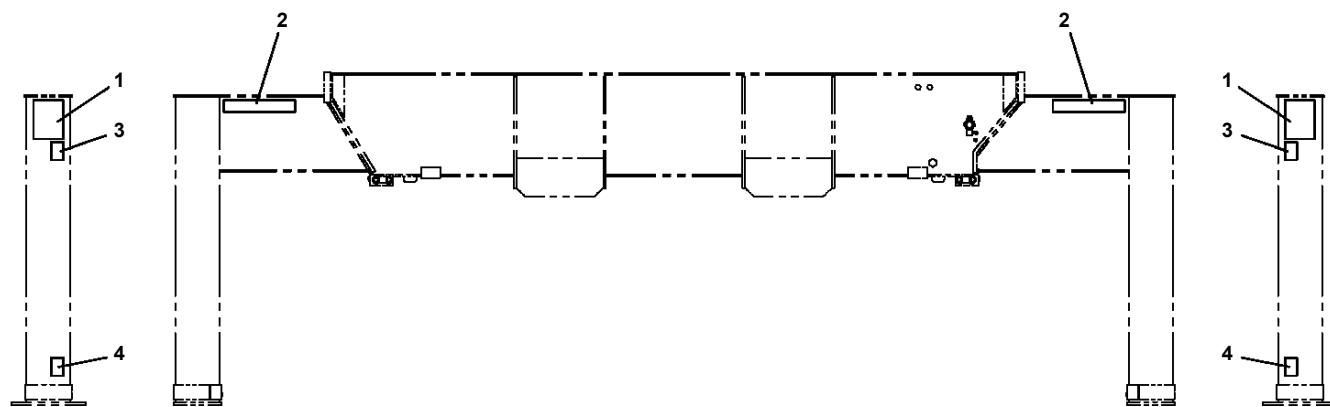


TM-ZR500 31094010110A FRAME/STD,MANUAL,HOOK-IN
PO1000142-00 INDICATION PLATES (EXPORT)

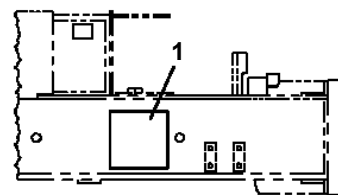
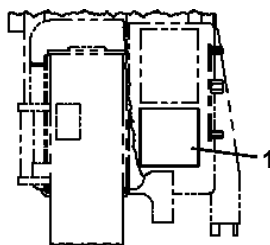
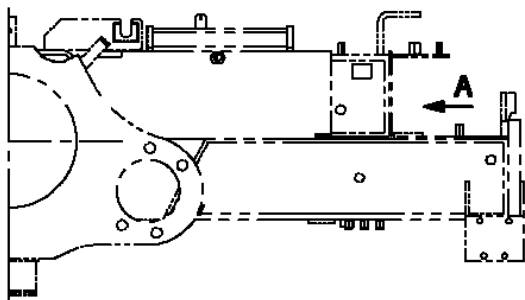
メイパ ン
INDICATION PLATES

〔組立名称一覧〕より選択してください。
SEE THE CORRESPONDING "ASSEMBLY NAME" LIST.

TM-ZR500 31094010110A FRAME/STD,MANUAL,HOOK-IN
PO1012313-01 PLATE ASSY,NAME (O/R FOR CAB BACK)

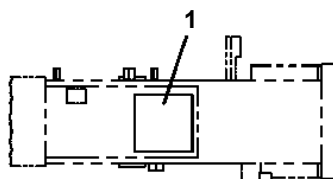


TM-ZR500 31094010110A FRAME/STD,MANUAL,HOOK-IN
 PO1013038-01 PLATE ASSY,NAME (AC100V300W LAMP)

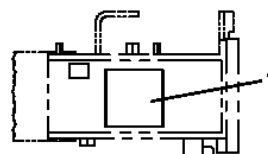


ZR360SL

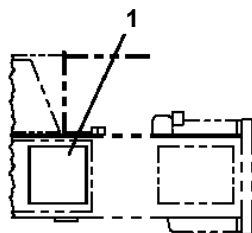
ZR360STD



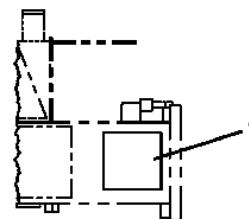
ZR300STD



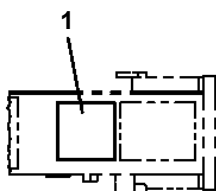
ZR300SL



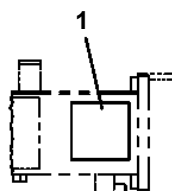
Z 290)STD
300 xJ



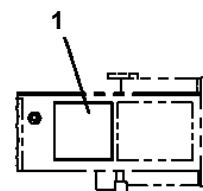
ZR290SL



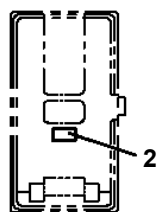
ZR260STD



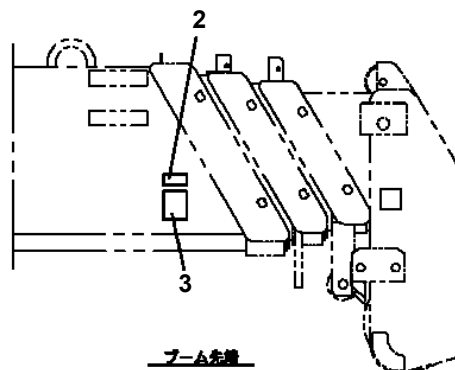
ZR260SL



ZR230

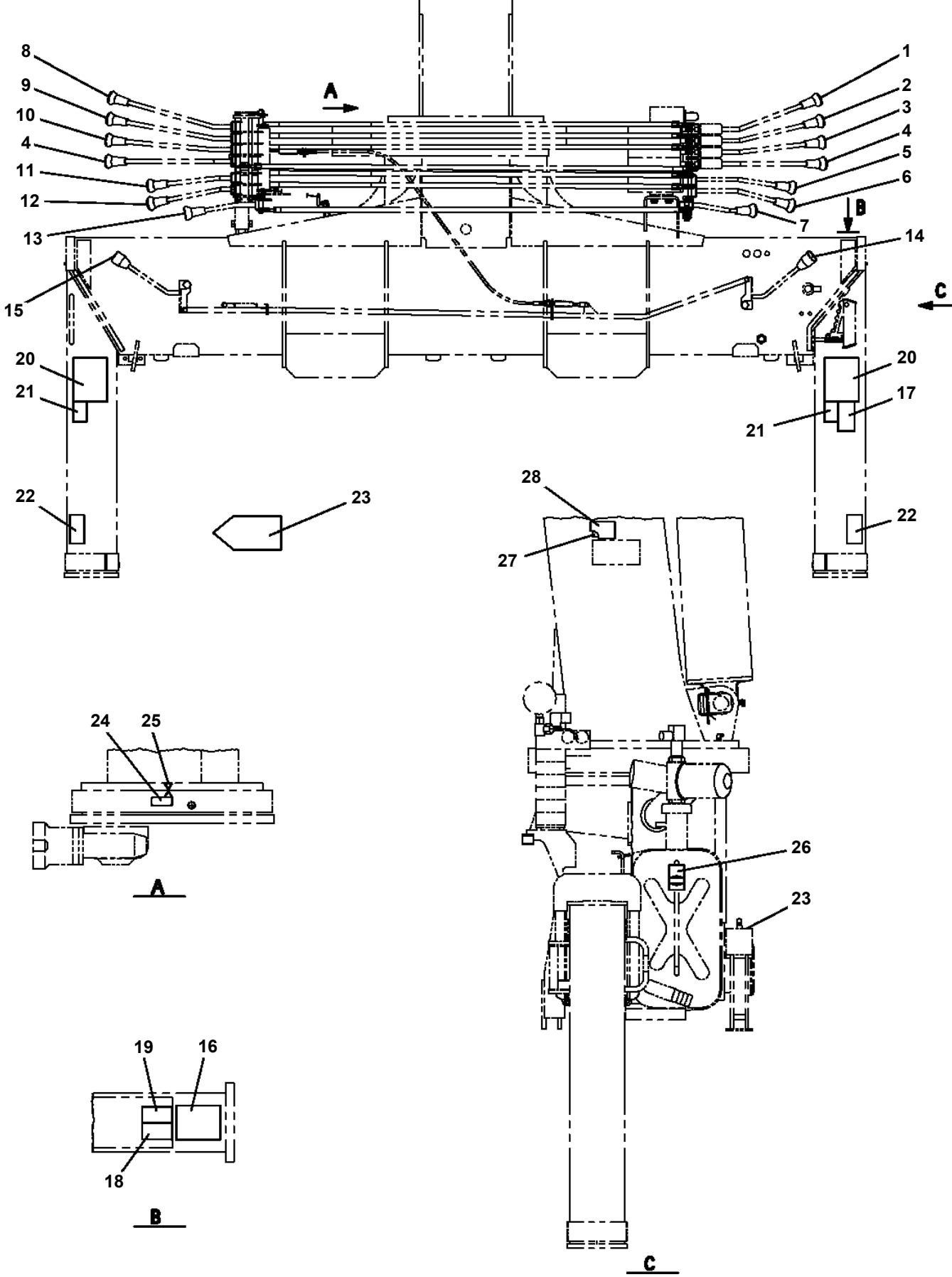


コンバータ

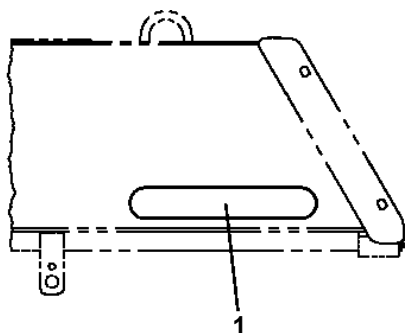


フーム線

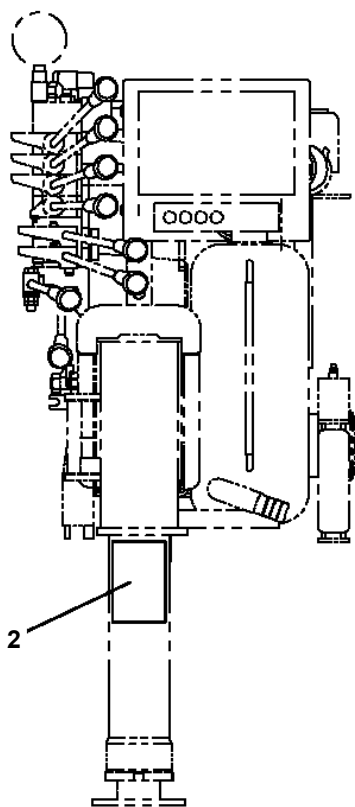
TM-ZR500 31094010110A FRAME/STD,MANUAL,HOOK-IN
PO1013486-00 PLATE ASSY,NAME (FRAME/JAPANESE)



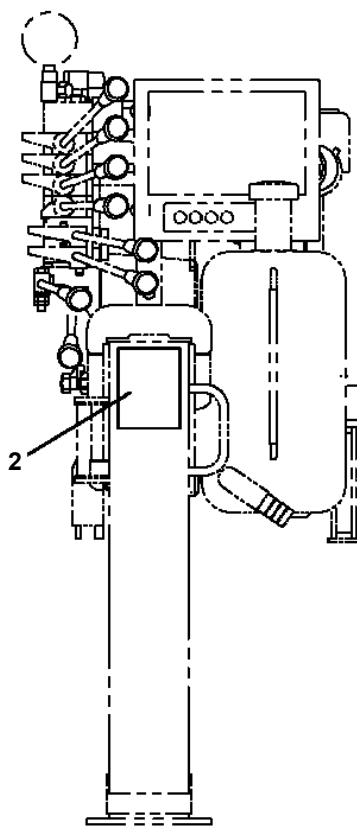
TM-ZR500 31094010110A FRAME/STD,MANUAL,HOOK-IN
PO1014590-00 PLATE ASSY,NAME (BOOM,JACK INTERLOCK)



ブーム部



シリンダ型アウトリガの場合



ボックス型アウトリガの場合

TM-ZR500 31094010110A FRAME/STD,MANUAL,HOOK-IN

Pos No.	Parts No	Parts Name	Qty	Unit	Technical Data	Serial No (Start)	Serial No (End)	Remarks
1	31398320100	PLATE,CAUTION	2					
2	31398320200	PLATE,CAUTION	1					
3	31398320300	PLATE,CAUTION	2					
4	31398320400	PLATE,CAUTION	1					
5	31393180100	REFLECTOR (RED)	2					
6	31611300500	PLATE,NAME (WHITE)	4					
7	37002213970	PLATE,NAME (MARKING)	2					

TM-ZR500 31094010110A FRAME/STD,MANUAL,HOOK-IN

Pos No.	Parts No	Parts Name	Qty	Unit	Technical Data	Serial No (Start)	Serial
1	37002218950	PLATE,NAME (BOOM)	1				
2	37002218960	PLATE,NAME (WINCH)	1				
3	37002218970	PLATE,NAME (ELEVATING)	1				
4	37002218980	PLATE,NAME (SWING)	2				
5	37002218990	PLATE,NAME (JACK)	1				
6	37002219000	PLATE,NAME (JACK)	1				
7	37002219010	PLATE,NAME (ACCELERATOR)	1				
8	37002219020	PLATE,NAME (BOOM)	1				
9	37002219030	PLATE,NAME (WINCH)	1				
10	37002219040	PLATE,NAME (ELEVATING)	1				
11	37002219050	PLATE,NAME (JACK)	1				
12	37002219060	PLATE,NAME (JACK)	1				
13	37002219070	PLATE,NAME (ACCELERATOR)	1				
14	37002227580	PLATE,NAME (RET.)	1				
15	37002227590	PLATE,NAME (RET.)	1				
16	31394580921	PLATE,CAUTION (!WARNING/CRANE OPE)	2				
17	31496730350	PLATE,CAUTION (OPERATING METHOD IN AN)	1				
18	31496730340	PLATE,NAME (HORN/OVER WIND)	1				
19	31496730330	PLATE,NAME	1				
20	31394580911	PLATE,CAUTION (!WARNING/OUTRIGG)	2				
21	37002219100	PLATE,CAUTION	2				
22	37002219111	PLATE,CAUTION (!WHEN EXTENDING)	2				
23	14137207000	PLATE,NAME (GREASE)	5				
24	37002227600	PLATE,NAME (BOOM STOWING)	1				
25	37002200320	PLATE,NAME	1				
26	37002219080	PLATE,NAME (OIL LEVEL)	1				
27	37002228260	PLATE,CAUTION	2				
28	37002223170	PLATE,CAUTION	2				
29	37002223200	PLATE,CAUTION	2				
30	37002227610	PLATE,NAME (REPLACE THE FACING)	1				
31	37002224440	PLATE,NAME	1				

TM-ZR500 31094010110A FRAME/STD,MANUAL,HOOK-IN

Pos No.	Parts No	Parts Name	Qty	Unit	Technical Data	Serial No (Start)	Serial No (End)
1	31491351100	PLATE,NAME	1				
2	31491351200	PLATE,NAME	1				
3	31491351300	PLATE,NAME	2				
4	31491351400	PLATE,NAME	1				
5	37002222560	PLATE,NAME (ZR504,CARGO CRANE)	2				
6	31392140130	INDICATOR	2				
7	90190000060	BOLT	2		M10X16		

TM-ZR500 31094010110A FRAME/STD,MANUAL,HOOK-IN

Pos No.	Parts No	Parts Name	Qty	Unit	Technical Data	Serial No (Start)	Serial No (End)
1	31491362100	PLATE,NAME	1				
2	31491362200	PLATE,NAME	1				
3	31491362300	PLATE,NAME	2				
4	31491362400	PLATE,NAME	1				
5	37002222570	PLATE,NAME (ZR505,CARGO CRANE)	2				
6	31392140130	INDICATOR	2				
7	90190000060	BOLT	2		M10X16		

TM-ZR500 31094010110A FRAME/STD,MANUAL,HOOK-IN

Pos No.	Parts No	Parts Name	Qty	Unit	Technical Data	Serial No (Start)	Serial N
1	31491374101	PLATE,NAME (LOAD INDICATOR)	1				
2	31491374201	PLATE,NAME (LOAD INDICATOR)	1				
3	31491374301	PLATE,NAME (WORKING RANGE)	2				
4	31491374401	PLATE,NAME (RATED LIFTING CAPACITIES)	1				
5	31392140130	INDICATOR	2				
6	90190000060	BOLT	2		M10X16		

TM-ZR500 31094010110A FRAME/STD,MANUAL,HOOK-IN

Pos No.	Parts No	Parts Name	Qty	Unit	Technical Data	Serial No (Start)	Serial No (End)
1	31491343100	PLATE,NAME	1				
2	31491343200	PLATE,NAME	1				
3	31491346300	PLATE,NAME	2				
4	31491346400	PLATE,NAME	1				
5	37002222550	PLATE,NAME (ZR503,CARGO CRANE)	2				
6	31392140130	INDICATOR	2				
7	90190000060	BOLT	2		M10X16		

TM-ZR500 31094010110A FRAME/STD,MANUAL,HOOK-IN

Pos No.	Parts No	Parts Name	Qty	Unit	Technical Data	Serial No (Start)	S
1	31498062100	PLATE,NAME (LOAD INDICATOR)	1				
2	31498062200	PLATE,NAME (LOAD INDICATOR)	1				
3	31496853300	PLATE,NAME(EMPTY CHASSIS RATED CAPACITY)	2				
4	31392140130	INDICATOR	2				
5	90190000060	BOLT	2		M10X16		

TM-ZR500 31094010110A FRAME/STD,MANUAL,HOOK-IN

Pos No.	Parts No	Parts Name	Qty	Unit	Technical Data	Serial No (Start)	Serial N
1	31496851100	PLATE,NAME (LOAD RADIUS)	1				
2	31496851200	PLATE,NAME (LOAD RADIUS)	1				
3	31491344301	PLATE,NAME (WORKING RANGE)	2				
4	31491344401	PLATE,NAME (RATED LIFTING CAPACITIES)	1				
5	31392140130	INDICATOR	2				
6	90190000060	BOLT	2		M10X16		

TM-ZR500 31094010110A FRAME/STD,MANUAL,HOOK-IN

Pos No.	Parts No	Parts Name	Qty	Unit	Technical Data	Serial No (Start)	S
1	31498092100	PLATE,NAME (LOAD INDICATOR)	1				
2	31498092200	PLATE,NAME (LOAD INDICATOR)	1				
3	31495703300	PLATE,NAME(EMPTY CHASSIS RATED CAPACITY)	2				
4	31392140130	INDICATOR	2				
5	90190000060	BOLT	2		M10X16		

TM-ZR500 31094010110A FRAME/STD,MANUAL,HOOK-IN

Pos No.	Parts No	Parts Name	Qty	Unit	Technical Data	Serial No (Start)	S
1	31491356100	PLATE,NAME (LOAD RADIUS)	1				
2	31491356200	PLATE,NAME (LOAD RADIUS)	1				
3	31490804300	PLATE,NAME(EMPTY CHASSIS RATED CAPACITY)	2				
4	31490801400	PLATE,NAME (RATED LIFTING CAPACITY)	1				
5	31392140130	INDICATOR	2				
6	90190000060	BOLT	2		M10X16		

TM-ZR500 31094010110A FRAME/STD,MANUAL,HOOK-IN

Pos No.	Parts No	Parts Name	Qty	Unit	Technical Data	Serial No (Start)	S
1	31491366100	PLATE,NAME (LOAD RADIUS)	1				
2	31491366200	PLATE,NAME (LOAD RADIUS)	1				
3	31490813300	PLATE,NAME(EMPTY CHASSIS RATED CAPACITY)	2				
4	31490811400	PLATE,NAME (RATED LIFTING CAPACITY)	1				
5	31392140130	INDICATOR	2				
6	90190000060	BOLT	2		M10X16		

TM-ZR500 31094010110A FRAME/STD,MANUAL,HOOK-IN

Pos No.	Parts No	Parts Name	Qty	Unit	Technical Data	Serial No (Start)	S
1	31490801300	PLATE,NAME(EMPTY CHASSIS RATED CAPACITY)	1				

TM-ZR500 31094010110A FRAME/STD,MANUAL,HOOK-IN

Pos No.	Parts No	Parts Name	Qty	Unit	Technical Data	Serial No (Start)	S
1	31495705300	PLATE,NAME(EMPTY CHASSIS RATED CAPACITY)	1				

TM-ZR500 31094010110A FRAME/STD,MANUAL,HOOK-IN

Pos No.	Parts No	Parts Name	Qty	Unit	Technical Data	Serial No (Start)	Serial No (End)
113	80620210120	PIN,SNAP	1				
114	31323141350	ROLLER	1				
131	31323141251	LINK	1			EW0294	
132	31323141301	PIN	1			EW0294	
135	37000311480	SPACER	1		L=10	EW0294	

TM-ZR500 31094010110A FRAME/STD,MANUAL,HOOK-IN

Pos No.	Parts No	Parts Name	Qty	Unit	Technical Data	Serial No (Start)	Serial No (End)	R
1	(*****)	OUTRIGGER ASSY,REAR	1					
2	(*****)	ELEC.ASSY	1					
3	(*****)	PIPING,REAR JACK (ROTARY TYPE)	1					
4	(*****)	PLATE ASSY,NAME	1					
7	(*****)	LOCK ASSY (REAR OUTRIGGER)	1					

TM-ZR500 31094010110A FRAME/STD,MANUAL,HOOK-IN

Pos No.	Parts No	Parts Name	Qty	Unit	Technical Data	Serial No (Start)	S
1	31491356100	PLATE,NAME (LOAD RADIUS)	1				
2	31491356200	PLATE,NAME (LOAD RADIUS)	1				
3	31490804300	PLATE,NAME(EMPTY CHASSIS RATED CAPACITY)	2				
5	31392140130	INDICATOR	2				
6	90190000060	BOLT	2		M10X16		
7	37002230000	PLATE,NAME (ZR500)	2				

TM-ZR500 31094010110A FRAME/STD,MANUAL,HOOK-IN

Pos No.	Parts No	Parts Name	Qty	Unit	Technical Data	Serial No (Start)	S
1	31498091100	PLATE,NAME (LOAD INDICATOR)	1				
2	31498091200	PLATE,NAME (LOAD INDICATOR)	1				
3	31495706300	PLATE,NAME(EMPTY CHASSIS RATED CAPACITY)	2				
4	31392140130	INDICATOR	2				
5	90190000060	BOLT	2		M10X16		
6	37002230000	PLATE,NAME (ZR500)	2				

TM-ZR500 31094010110A FRAME/STD,MANUAL,HOOK-IN

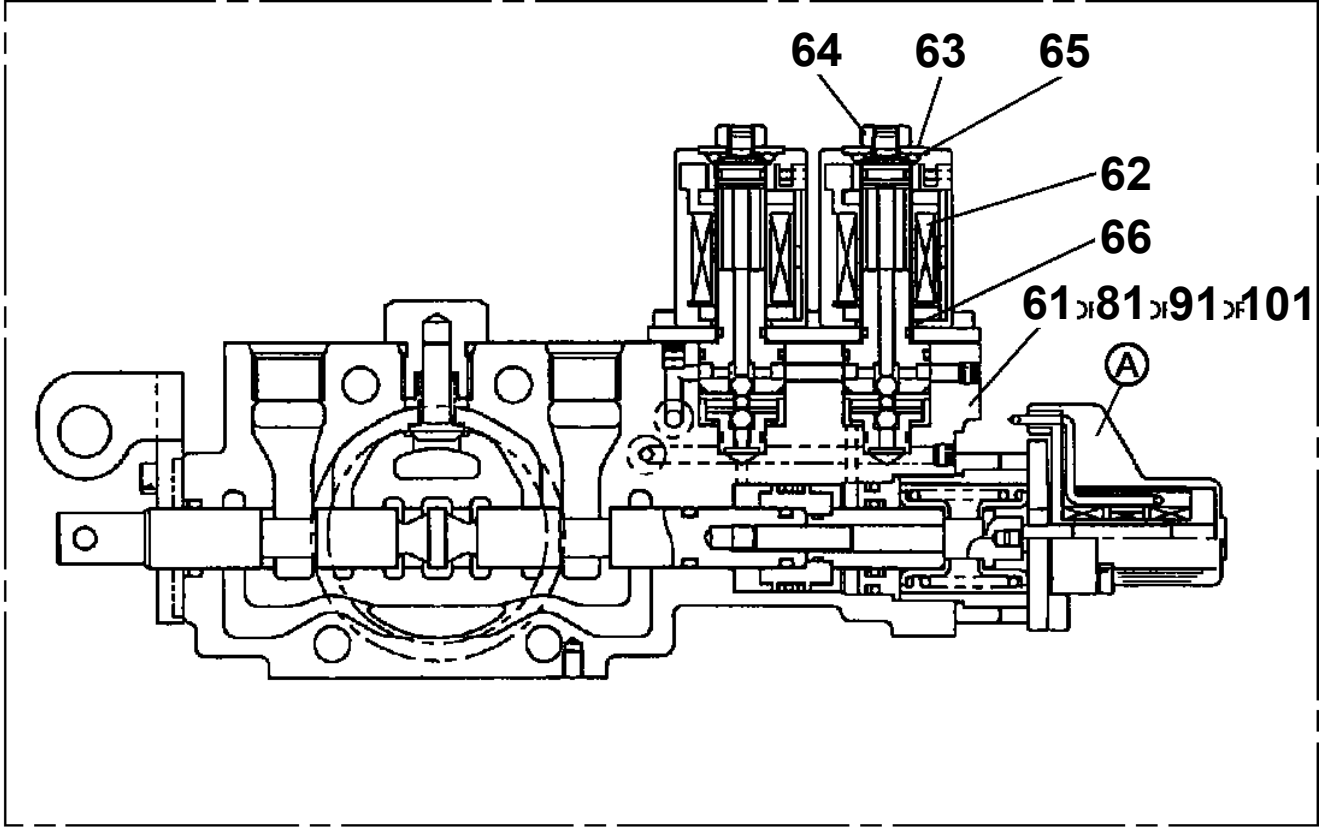
Pos No.	Parts No	Parts Name	Qty	Unit	Technical Data	Serial No (Start)	Serial No (End)	Remarks	Pa
2	37002456720	HOSE	1		L=2100				
3	37002514800	HOSE	1		L=1800				
4	91810130270	FASTENER	2						
5	80400160203	JOINT (WITH O-RING)	1						
6	80400160182	JOINT (WITH O-RING)	2						
7	91803600400	CLIP	2		D=27-40				
8	80430620800	JOINT	2						
9	37000924110	JOINT	1		S,G1/2-G1/2				
10	31623152500	CLAMP ASSY	1						
11	82100001413	TUBE, SPIRAL	1	M	SE-15BK				
12	82100001819	TUBE, SPIRAL	1	M	SE-18BK				
13	90171108025	BOLT	4		M8X25				
14	90302040801	WASHER, SPRING	4		8				
15	37000926040	JOINT	2						
16	91002801800	O-RING	3		1B P18				
17	31844910100	SUPPORT	1						
18	37000713590	CLAMP ASSY	2		D=20				
31	91002802900	O-RING	1		1B P29				
41	91002801800	O-RING	4		1B P18				

TM-ZR500 31094010110A FRAME/STD,MANUAL,HOOK-IN

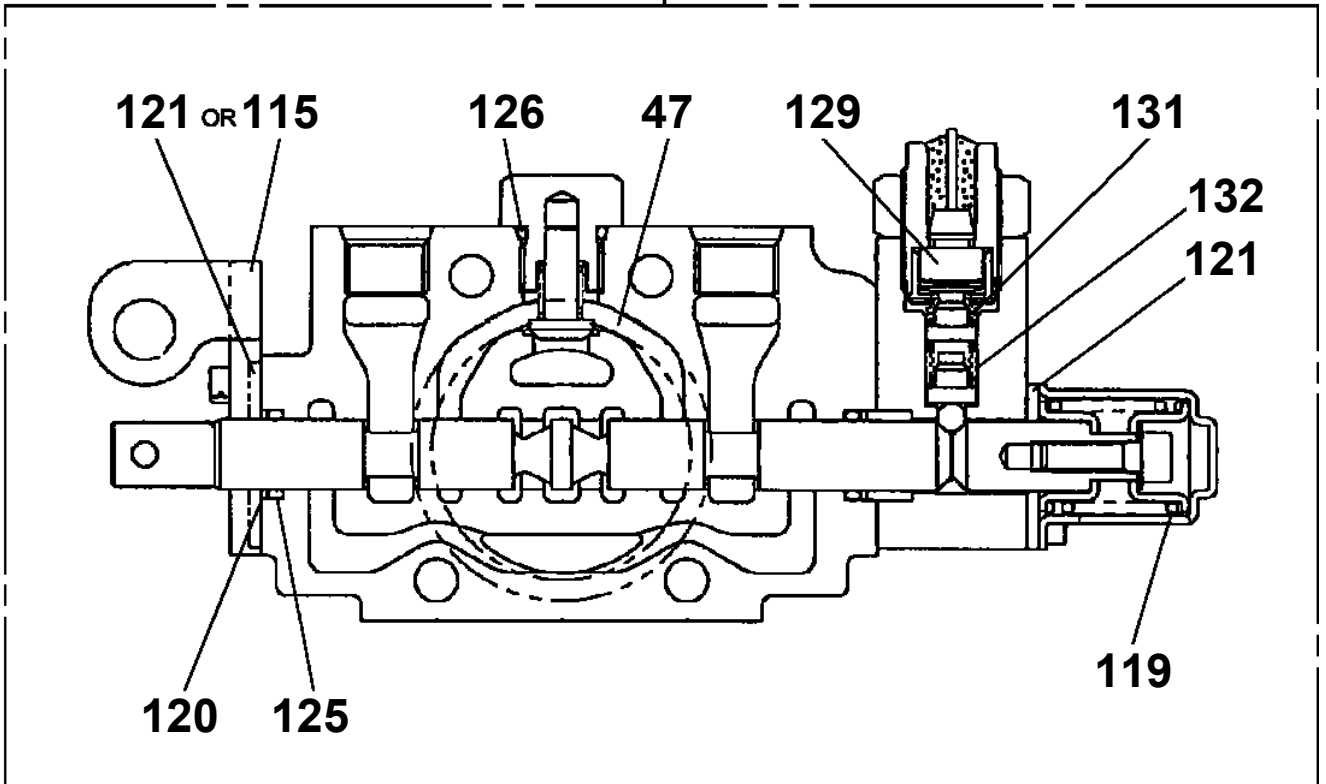
Pos No.	Parts No	Parts Name	Qty	Unit	Technical Data	Serial No (Start)	Serial No (End)
2	31631807510	CASE (RING)	1				
4	31631807520	SPACER	1				
11	31631807530	CLAMP (CABLE)	1				
15	31631807540	O-RING	1				
16	31631807550	PACKING	1				
101	31631807560	HOLDER ASSY,BRUSH (WITH BRUSH)	1				
900	31631803000	RING ASSY,SLIP	1				

TM-ZR500 31094010110A FRAME/STD, MANUAL, HOOK-IN
PV1020261-01 VALVE, REMOTE CONTROL (MAIN/NACHI)

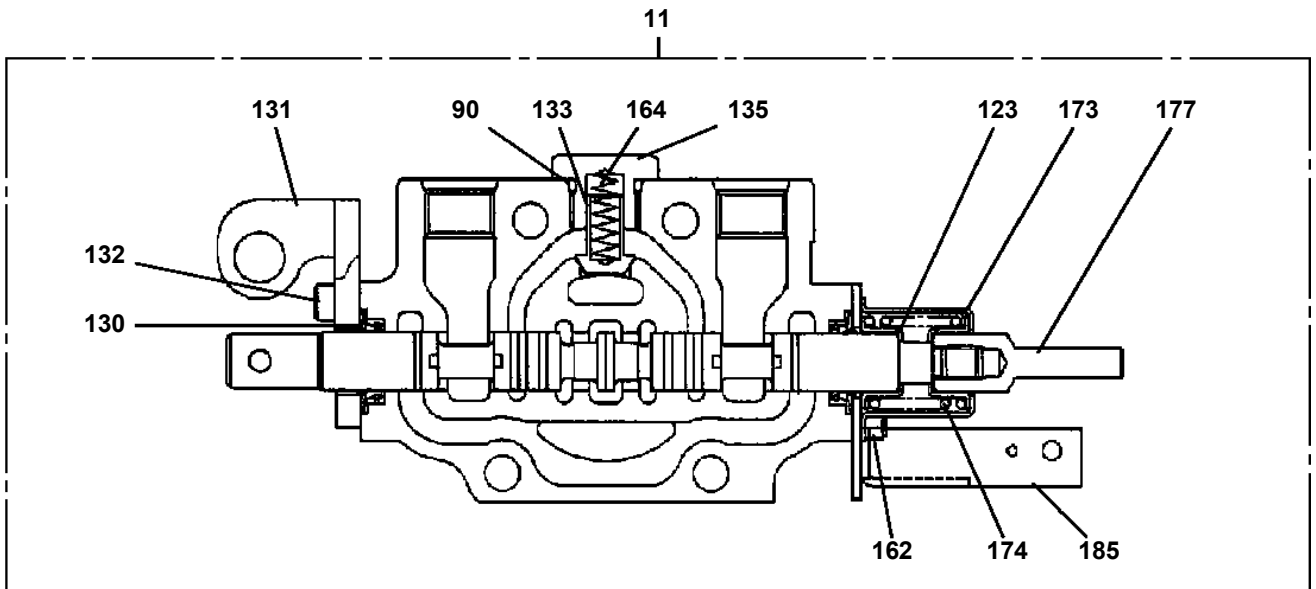
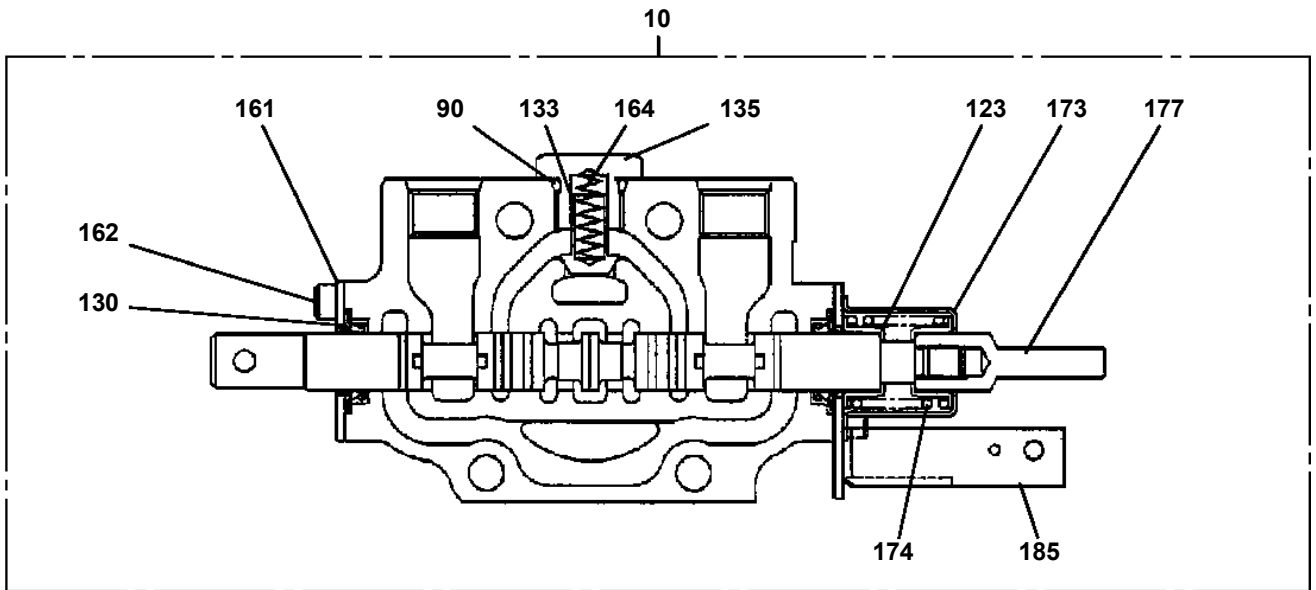
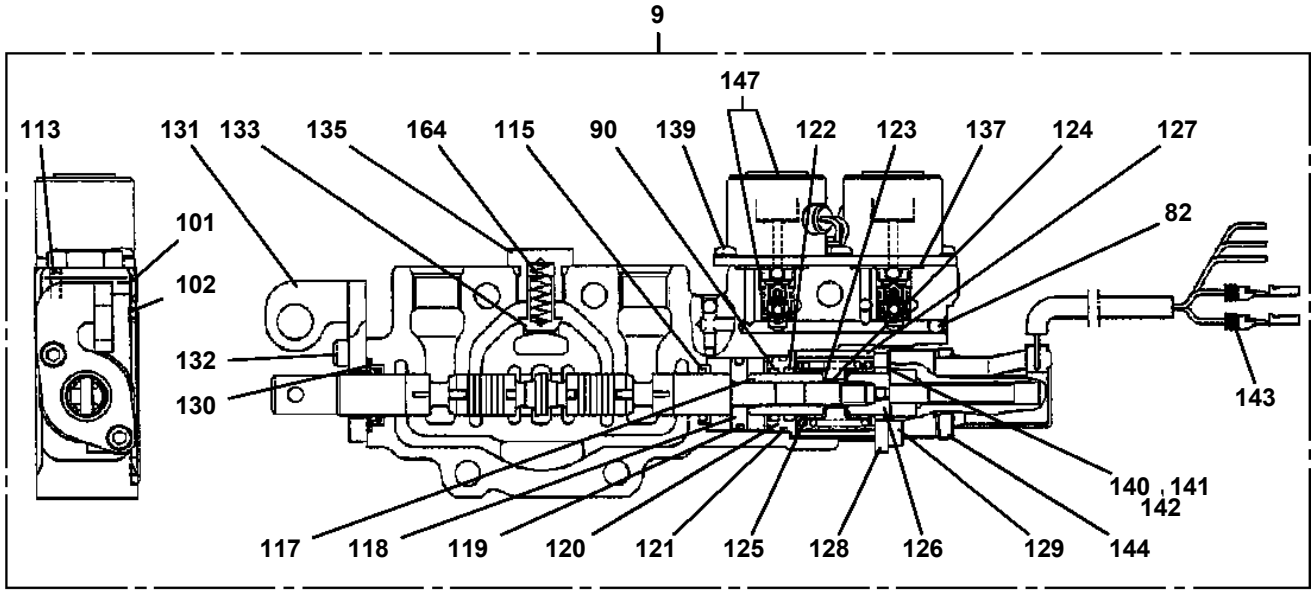
2345



67



**TM-ZR500 31094010110A FRAME/STD,MANUAL,HOOK-IN
PV1020346-01 VALVE,REMOTE CONTROL**

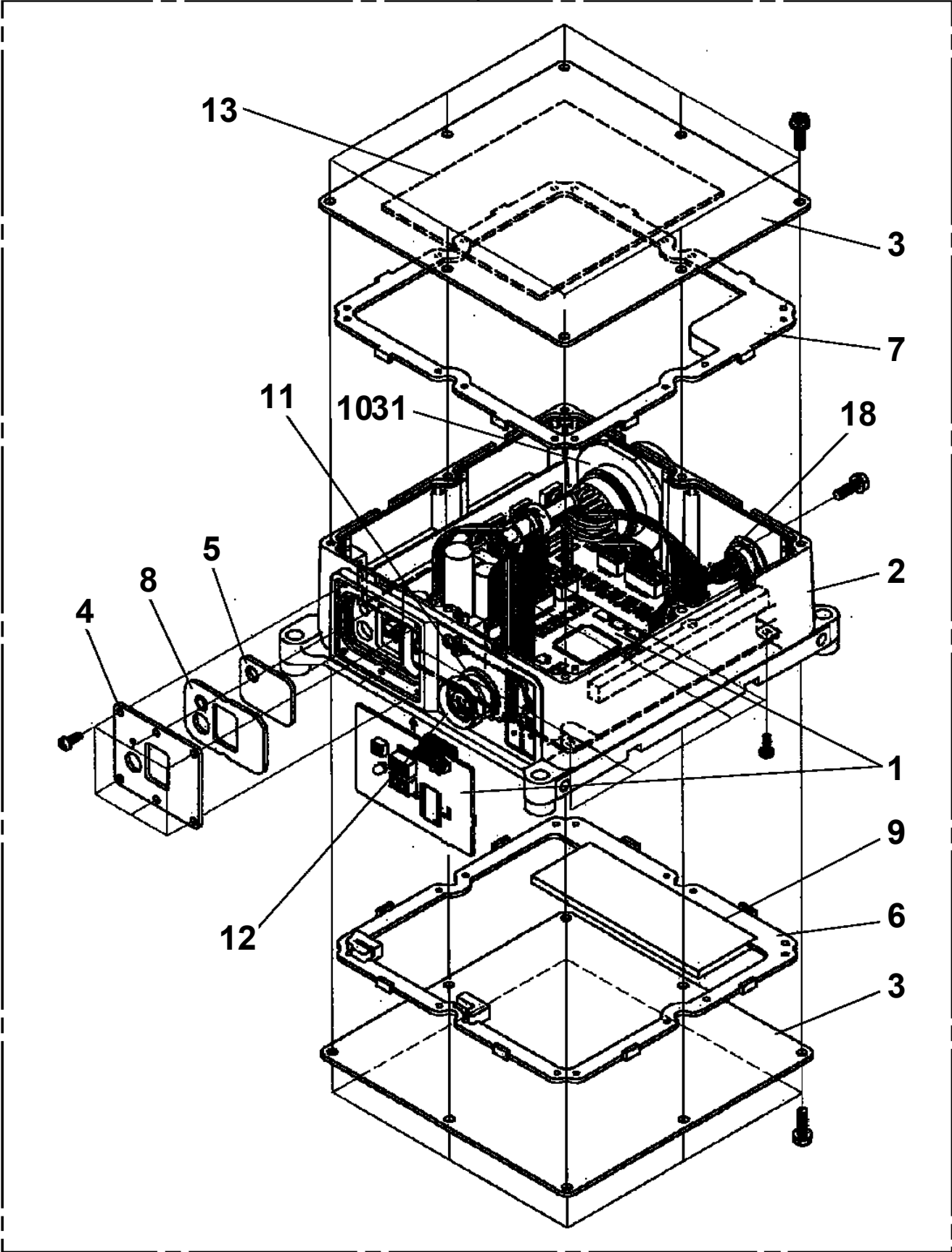


TM-ZR500 31094010110A FRAME/STD,MANUAL,HOOK-IN

Pos No.	Parts No	Parts Name	Qty	Unit	Technical Data	Serial No (Start)	Serial No (End)	Re
7	36802865030	PLATE,NAME	1					
8	36802865050	PLATE,NAME	1					
21	36802865040	CASE (BATTERY)	1					
22	36802865060	BATTERY (4 PIECES)	1					
31	36802865070	STRAP	1					
41	36802865080	RUBBER (FOR SWITCH)	1					
50	36802863000	SWITCH BOX(RADIO CONTROL)	1					

TM-ZR500 31094010110A FRAME/STD,MANUAL,HOOK-IN
PV1040065-01 CONTROL BOX (RADIO CONTROL)

50



TM-ZR500 31094010110A FRAME/STD,MANUAL,HOOK-IN

Pos No.	Parts No	Parts Name	Qty	Unit	Technical Data	Serial No (Start)	Serial No
1	36062805010	BODY KIT (ACCEL.. POSITIONER)	1				
2	36647985160	COIL,SOLENOID	2				
3	36647645050	WASHER	2				
4	36647645060	NUT	2				
5	91001101100	O-RING	2		1A P11		
6	91001001200	O-RING	2		1A S12		
7	36647985170	COIL	1				
8	36642415300	SHIM (T=0.5)	2				
9	36642415310	SHIM (T=0.2)	2				
10	36062805020	BOLT,HEXAGON SOCKET (WITH WASHER)	2				
32	36642415320	PLATE	1				
33	36642415220	RING,BACKUP	1				
37	91001101001	O-RING	1		1A P10A		
38	91001101400	O-RING	2		1A P14		
39	91001102800	O-RING	1		1A P28		
40	91002803200	O-RING	1		1B P32		
41	91001000900	O-RING	3		S9		
42	91411001400	RING,BACKUP	1		P14		
43	91411002800	RING,BACKUP	2		P28		
57	36647285340	BALL,STEEL	2				
58	91000501700	O-RING	2				
60	36647285350	O-RING	2				
61	91001001800	O-RING	2		S18		
62	80560055000	BALL,STEEL	4		3/16		
100	36062800000	CYLINDER,ACCELERATOR	1				

TM-ZR500 31094010110A FRAME/STD,MANUAL,HOOK-IN

Pos No.	Parts No	Parts Name	Qty	Unit	Technical Data	Serial No (Start)	Serial
1	(*****)	RADIO CONTROL	1				
2	(*****)	OPE.ASSY,CONT.VALVE (RADIO CONTROL)	1				
3	(*****)	ELEC.ASSY (RADIO CONTROL,HOOK-IN)	1				
4	(*****)	ANTENNA (RADIO CONTROL/SELECTION DATA)	1				
5	(*****)	PIPING,LOWER (REMOTE CONT.VALVE/NACHI)	1				
6	(*****)	PIPING,LOWER (RADICON./REPLACE FILTER)	1				

TM-ZR500 31094010110A FRAME/STD,MANUAL,HOOK-IN

Pos No.	Parts No	Parts Name	Qty	Unit	Technical Data	Serial No (Start)	Serial No (End)
1	(*****)	ELEC.ASSY (UPPER)	1				
3	(*****)	PLATE ASSY,NAME (UPPER)	1				
4	(*****)	DETECTOR,BOOM LENGTH (MOUNT)	1				
6	36194670000	MOMENT LIMITER (BML)	1				
8	(*****)	ELEC.ASSY (HARNESS FOR STANDBY POWER)	1				
12	(*****)	MOUNT (BOOM)	1				

TM-ZR500 31094010110A FRAME/STD,MANUAL,HOOK-IN

Pos No.	Parts No	Parts Name	Qty	Unit	Technical Data	Serial No (Start)	Serial No
1	36800335010	ELEMENT,ANTENNA (FLEXIBLE,TYPE A,B)	2				
3	36800615010	ARM (28X300)	1				
4	36800145010	CABLE	1		10M		EW3688
	36800145011	CABLE	1		10M	EW3689	
7	36800145020	WASHER	1				
8	36800145030	NUT	1				
10	36800610000	ANTENNA (FOR RADIO CONTROL)	1				

TM-ZR500 31094010110A FRAME/STD,MANUAL,HOOK-IN

Pos No.	Parts No	Parts Name	Qty	Unit	Technical Data	Serial No (Start)	S
1	(*****)	MOUNT,ANTENNA (FREQUENCY A.B)	1				
	(*****)	MOUNT,ANTENNA (RADIO CONTROL,D.E-TYPE)	1				
2	(*****)	MOUNT,ANTENNA (RADIO CONTROL,D.E-TYPE)	1				
	(*****)	MOUNT,ANTENNA (RADIO CONTROL,C-TYPE)	1				
3	(*****)	MOUNT,ANTENNA (RADIO CONTROL,TYPE-A)	1				
	(*****)	MOUNT,ANTENNA (RADIO CONTROL,D.E-TYPE)	1				
4	(*****)	MOUNT,ANTENNA (FREQUENCY A.B)	1				
	(*****)	MOUNT,ANTENNA (FREQUENCY D.E)	1				
5	(*****)	MOUNT,ANTENNA (FREQUENCY A.B)	1				
	(*****)	MOUNT,ANTENNA (FREQUENCY A.B)	1				
6	(*****)	MOUNT,ANTENNA (FREQUENCY A.B)	1				
	(*****)	MOUNT,ANTENNA (FREQUENCY A.B)	1				
7	(*****)	MOUNT,ANTENNA (FREQUENCY A.B)	1				
	(*****)	MOUNT,ANTENNA (RADIO CONTROL,D.E-TYPE)	1				
8	(*****)	MOUNT,ANTENNA (RADIO CONTROL,D.E-TYPE)	1				
	(*****)	MOUNT,ANTENNA	1				
9	(*****)	MOUNT,ANTENNA(FREQUENCY D.E/MOUNT,GUARD)	1				
	(*****)	MOUNT,ANTENNA(FREQUENCY A.B/MOUNT,GUARD)	1				
	(*****)	MOUNT,ANTENNA (RADIO CONTROL,D.E-TYPE)	1				
	(*****)	MOUNT,ANTENNA (FOR RADIO CONTROL)	1				
10	(*****)	MOUNT,ANTENNA (RADIO CONTROL,D.E-TYPE)	1				
	(*****)	MOUNT,ANTENNA (FREQUENCY D.E)	1				
11	(*****)	MOUNT,ANTENNA (FREQUENCY A.B)	1				
	(*****)	MOUNT,ANTENNA (FREQUENCY D.E)	1				
12	(*****)	MOUNT,ANTENNA (FREQUENCY A.B)	1				
	(*****)	MOUNT,ANTENNA (FREQUENCY D.E)	1				
13	(*****)	MOUNT,ANTENNA (FREQUENCY D.E)	1				
	(*****)	MOUNT,ANTENNA (FREQUENCY D.E)	1				
14	(*****)	MOUNT,ANTENNA (RADIO CONTROL)	1				
	(*****)	MOUNT,ANTENNA(FREQUENCY D.E/MOUNT,GUARD)	1				
	(*****)	MOUNT,ANTENNA(FREQUENCY A.B/MOUNT,GUARD)	1				
	(*****)	MOUNT,ANTENNA (RADIO CONTROL,D.E-TYPE)	1				
15	(*****)	MOUNT,ANTENNA(FREQUENCY A.B/MOUNT,GUARD)	1				
	(*****)	MOUNT,ANTENNA(FREQUENCY D.E/MOUNT,GUARD)	1				
16	(*****)	MOUNT,ANTENNA(FREQUENCY A.B/MOUNT,GUARD)	1				
	(*****)	MOUNT,ANTENNA(FREQUENCY D.E/MOUNT,GUARD)	1				
17	(*****)	MOUNT,ANTENNA(FREQUENCY A.B/MOUNT,GUARD)	1				
	(*****)	MOUNT,ANTENNA(FREQUENCY D.E/MOUNT,GUARD)	1				

TM-ZR500 31094010110A FRAME/STD,MANUAL,HOOK-IN

Pos No.	Parts No	Parts Name	Qty	Unit	Technical Data	Serial No (Start)	Serial No (End)	F
1	31651781000	SUPPORT	2					
2	31652452000	ANTENNA (SET)	1					
3	91810130240	FASTENER	10					
4	82100002034	CLAMP	10		WEC6			
5	90191208020	BOLT	5		M8X20			
6	90264200800	NUT	5		M8			
7	90302040801	WASHER,SPRING	5		8			
8	82401600506	CLAMP	5		D6.5			
9	82401600510	CLAMP	5		10			
21	36801460000	ANTENNA (FOR RADIO CONTROL)	2					

TM-ZR500 31094010110A FRAME/STD,MANUAL,HOOK-IN

Pos No.	Parts No	Parts Name	Qty	Unit	Technical Data	Serial No (Start)	Serial No (End)	F
1	31930530101	SUPPORT	1					
2	31930530201	SUPPORT	1					
3	31652962000	ANTENNA (SET)	1					
4	91810130240	FASTENER	10					
5	82100002034	CLAMP	10		WEC6			
6	90191208020	BOLT	5		M8X20			
7	90264200800	NUT	5		M8			
8	90302040801	WASHER,SPRING	5		8			
9	82401600506	CLAMP	5		D6.5			
10	82401600510	CLAMP	5		10			
11	90190210025	BOLT	4		M10X25			
12	90302511001	WASHER,SPRING	4		10			
13	31930740300	PACKING	4					
14	31930530300	PACKING	4					
31	36801460000	ANTENNA (FOR RADIO CONTROL)	1					
32	36802100000	ANTENNA	1					

TM-ZR500 31094010110A FRAME/STD,MANUAL,HOOK-IN

Pos No.	Parts No	Parts Name	Qty	Unit	Technical Data	Serial No (Start)	Serial No (End)	Remarks	Pages
1	90186208016	BOLT,FLANGE	4		M8X16				
2	31653230100	SUPPORT	1						
3	90280200600	NUT,FLANGE	4		M6				
4	90101206060	BOLT	4		M6X60				
5	90303070601	WASHER,PLAIN	4		6				
6	31653230200	CABLE ASSY	1		L=800				
7	91850310405	CLAMP (BLACK)	1						
8	91810130240	FASTENER	3						
9	31655350900	SUPPORT	1						
10	90201200800	NUT	2		M8				
11	90302040801	WASHER,SPRING	2		8				
31	82100002385	CONNECTOR	2						

TM-ZR500 31094010110A FRAME/STD,MANUAL,HOOK-IN

Pos No.	Parts No	Parts Name	Qty	Unit	Technical Data	Serial No (Start)	Serial No (End)	F
1	31930530101	SUPPORT	1					
2	31930530201	SUPPORT	1					
3	31651782000	ANTENNA (SET)	1					
4	91810130240	FASTENER	10					
5	82100002034	CLAMP	10		WEC6			
6	90191208020	BOLT	5		M8X20			
7	90264200800	NUT	5		M8			
8	90302040801	WASHER,SPRING	5		8			
9	82401600506	CLAMP	5		D6.5			
10	82401600510	CLAMP	5		10			
12	90302511001	WASHER,SPRING	4		10			
13	31930740300	PACKING	4					
14	31930530300	PACKING	4					
21	36800610000	ANTENNA (FOR RADIO CONTROL)	1					
22	36800620000	ANTENNA (FOR RADIO CONTROL)	1					

TM-ZR500 31094010110A FRAME/STD,MANUAL,HOOK-IN

Pos No.	Parts No	Parts Name	Qty	Unit	Technical Data	Serial No (Start)	Serial No (End)	F
1	31652962000	ANTENNA (SET)	1					
2	31930460100	SUPPORT	2					
3	90101208020	BOLT	4		M8X20			
4	90201200800	NUT	4		M8			
5	90302040801	WASHER,SPRING	4		8			
6	82401600506	CLAMP	10		D6.5			
7	82401600510	CLAMP	8		10			
8	31930180100	SUPPORT	1					
9	80142838032	SCREW,WOOD	2					
10	91810130240	FASTENER	4					
11	82100002006	CLAMP	1		WR10			
12	90918160160	SCREW,TAPPING	1					
13	90918135160	SCREW,TAPPING	8					
21	36801460000	ANTENNA (FOR RADIO CONTROL)	1					
22	36802100000	ANTENNA	1					

TM-ZR500 31094010110A FRAME/STD,MANUAL,HOOK-IN

Pos No.	Parts No	Parts Name	Qty	Unit	Technical Data	Serial No (Start)	Serial No (End)	F
1	31930180100	SUPPORT	1					
2	80142838032	SCREW,WOOD	2					
3	91810130240	FASTENER	4					
4	82401600510	CLAMP	1		10			
5	31651792000	ANTENNA (SET)	1					
6	90101208020	BOLT	4		M8X20			
7	90201200800	NUT	4		M8			
8	90302040801	WASHER,SPRING	4		8			
9	31930460100	SUPPORT	2					
10	82401600506	CLAMP	13		D6.5			
21	36800620000	ANTENNA (FOR RADIO CONTROL)	2					

TM-ZR500 31094010110A FRAME/STD,MANUAL,HOOK-IN

Pos No.	Parts No	Parts Name	Qty	Unit	Technical Data	Serial No (Start)	Serial No (End)	Remarks	Pages
1	90190000008	BOLT,STUD	2		M6X20				
2	31360202500	SUPPORT	2						
3	31360742500	SUPPORT	1						
4	31360192900	SUPPORT	1		L=55				
5	37001601290	NUT	1		M12				
6	31360742700	NUT	1		M12				
7	31360003020	SUPPORT	1		L=63				
8	37001601010	NUT	3						
9	90288106030	NUT	3		M6X30				

TM-ZR500 31094010110A FRAME/STD,MANUAL,HOOK-IN

Pos No.	Parts No	Parts Name	Qty	Unit	Technical Data	Serial No
1	(***** *****)	PERFORMANCE DATA (ZR503,B/3.13T) PLATE,NAME (B,ZR503/3130KG)	1 1			EW4970
2	(***** *****)	PERFORMANCE DATA (ZR503,D/3.13T) PLATE,NAME (D,ZR503/3130KG)	1 1			EW4970
3	(***** *****)	PERFORMANCE DATA (ZR504,B/3.13T) PLATE,NAME (B,ZR504/3130KG)	1 1			EW4970
4	(***** *****)	PERFORMANCE DATA (ZR504,D/3.13T) PLATE,NAME (D,ZR504/3130KG)	1 1			EW4970
5	(***** *****)	PERFORMANCE DATA (ZR505,B/3.13T) PLATE,NAME (B,ZR505/3130KG)	1 1			EW4970
6	(***** *****)	PERFORMANCE DATA (ZR505,D/3.13T) PLATE,NAME (D,ZR505/3130KG)	1 1			EW4970
7	(***** *****)	PERFORMANCE DATA (ZR506,B/3.13T) PLATE,NAME (B,ZR506/3130KG)	1 1			EW4970
8	(***** *****)	PERFORMANCE DATA (ZR506,D/3.13T) PLATE,NAME (D,ZR506/3130KG)	1 1			EW4970
9	(***** *****)	OUTRIGGER,REAR (POWER PACKAGE,ROTARY/LOW TRUCK) OUTRIGGER,REAR (POWER PACKAGE,ROTARY/HIGHT TRUCK)	1 1			
10	(***** *****)	COOLER,OIL	1			
11	(***** *****)	REMOTE CONTROL (KIT:RCS-FC1/EMERGENCY SW)	1			
12	(***** *****)	LAMP (ALARM:F-RADIO CONTROL/EXPORT)	1			

TM-ZR500 31094010110A FRAME/STD,MANUAL,HOOK-IN

Pos No.	Parts No	Parts Name	Qty	Unit	Technical Data	Serial No (Start)	Serial No (End)	Remarks	Pages
1	91803600400	CLIP	2		D=27-40				
2	36690250000	COOLER,OIL	1						000459
3	91002802900	O-RING	2		1B P29				
4	91002803800	O-RING	2		1B P38				
5	31730362100	JOINT	1						
6	36620400000	VALVE,CHECK	1						000171
7	31730362200	JOINT	1						
8	80330003200	JOINT	1						
9	31730362300	JOINT	1						

TM-ZR500 31094010110A FRAME/STD,MANUAL,HOOK-IN

Pos No.	Parts No	Parts Name	Qty	Unit	Technical Data	Serial No (Start)	Serial No (End)	Ren
1	82109902050	SWITCH,THERMO	1					
2	91850310405	CLAMP (BLACK)	6					
3	91810130240	FASTENER	15					
4	31478113100	HARNESS	1				EW3294	
	31478113101	HARNESS	1			EW3295		
5	90186208020	BOLT,FLANGE	2		M8X20			
6	90186206010	BOLT,FLANGE	3		M6X10			
8	31653241300	COVER	1					
9	82100001400	TERMINAL	1					
10	82100001220	INSULATOR	1					
11	82100002596	RELAY	1			EW3295		
12	90280200600	NUT,FLANGE	1		M6	EW3295		
13	80192486012	SCREW,MACHINE	1		M6X12	EW3295		
22	82100000745	FUSE	1		10A,6.5X30			
23	82100002832	HOLDER,FUSE	1					
31	31653243100	SUPPORT	1					
32	82197518114	CAP (MATSUSHITA/BLACK)	1					
	82197518119	CAP (PLUS ONE MFG./BLACK)	1					
33	31477311200	SWITCH ASSY (PLATING:NACC)	1					
34	31478113250	PLATE,NAME	1					

CLICK HERE TO **DOWNLOAD** THE COMPLETE MANUAL

- Thank you very much for reading the preview of the manual.
- You can download the complete manual from: www.heydownloads.com by clicking the link below



- Please note: If there is no response to CLICKING the link, please download this PDF first and then click on it.

CLICK HERE TO **DOWNLOAD** THE COMPLETE MANUAL