

TM-ZR500 31094010010A FRAME/STD,MANUAL

PB000039-02 SYSTEM (ZR500,DOMESTIC)

PB0000104-01 SYSTEM (ZR500,AUSTRALIA)

PB0000105-01 SYSTEM (ZR500,EXPORT)

PB0000108-01 SYSTEM (ZR500,TAIWAN)

ASSEMBLY

CLICK HERE TO **DOWNLOAD** THE COMPLETE MANUAL

- Thank you very much for reading the preview of the manual.
- You can download the complete manual from: www.heydownloads.com by clicking the link below



- Please note: If there is no response to CLICKING the link, please download this PDF first and then click on it.

CLICK HERE TO **DOWNLOAD** THE COMPLETE MANUAL

TM-ZR500 31094010010A FRAME/STD,MANUAL

PC1010807-00 OUTRIGGER
PC1010808-00 OUTRIGGER (FOR EXPORT)
PC1010815-00 OUTRIGGER (REAR FRAME/NOT ROTARY)
PC1010928-00 OUTRIGGER (FLOAT)
PC1010962-01 OUTRIGGER (MOUNT,L=700)
PC1010963-00 OUTRIGGER
PC1020001-01 OUTRIGGER,REAR (FOR LOW TRUCK BED)
PC1020002-01 OUTRIGGER,REAR (FOR HIGHT TRUCK BED)
PC1020003-00 OUTRIGGER,REAR (FRAME)
PC1020004-01 OUTRIGGER,REAR (ROTARY/LOW TRUCK BED)
PC1020005-01 OUTRIGGER,REAR (ROTARY/HIGH TRUK BED)
PC1020046-01 OUTRIGGER,REAR (ROTARY,POWER PACKAGE)
PC1020053-00 OUTRIGGER,REAR (CAB BACK)
PC1020054-00 OUTRIGGER,REAR (ROTARY/LOW TRUK BED)
PC1020055-00 OUTRIGGER,REAR (ROTARY/HIGH TRUK BED)
PC1020094-01 OUTRIGGER,REAR(ROTARY/POWER PACKAGE:WITH LOCK ASSY)
PC1020095-02 OUTRIGGER,REAR (FRAME)
PC1020100-00 OUTRIGGER,REAR (POWER PACKAGE,ROTARY/LOW TRUCK)
PC1020101-00 OUTRIGGER,REAR (POWER PACKAGE,ROTARY/HIGHT TRUCK)
PC1030013-04 CYLINDER,JACK (REAR/STROKE 430MM)
PC1030126-01 CYLINDER,JACK (REAR/STROKE 330MM)
PC1030205-03 CYLINDER,JACK
PC1030301-03 CYLINDER,JACK (REAR OUTRIGGER)
PC1030314-02 CYLINDER,JACK (STROKE 550)
PC1030348-02 CYLINDER,JACK (STORKE 550)
PC1100159-07 OPE.ASSY,OUTRIGGER
PC1230021-04 PIPING,REAR JACK (2,ROTARY)
PC1230023-03 PIPING,REAR JACK (ROTARY TYPE)
PC1230024-01 PIPING,REAR JACK (1,NOT ROTARY)
PC1230025-00 PIPING,REAR JACK (2,NOT ROTARY)
PC1230028-00 PIPING,REAR JACK (ROTARY 1,WITH POWER/S)
PC1230061-01 PIPING,REAR JACK (1)
PC5020009-00 CABLE ASSY (REMOTE CONT./RCS-YM4 20M)
PC5410006-03 CONTROL UNIT
PC6390037-01 CYLINDER ASSY,JACK
PC6390038-01 CYLINDER ASSY,JACK
PC6390039-01 CYLINDER ASSY,JACK
PC6390040-01 CYLINDER ASSY,JACK
PC6390046-02 CYLINDER ASSY,JACK (MIN.550)
PC6390047-02 CYLINDER ASSY,JACK (MIN.550)
PD1010145-01 REDUCER,SWING SPEED
PD1020020-01 SWING UNIT
PD1020042-00 SWING UNIT
PE1010377-04 CYLINDER,ELEVATING
PE5020028-01 ELEC.ASSY
PE5020077-03 ELEC.ASSY
PE5020101-00 ELEC.ASSY (AWL LAMP/STOP TO CONFIGURATION)
PE5020102-01 ELEC.ASSY
PE5020113-00 ELEC.ASSY
PE5020279-00 ELEC.ASSY (ANTENNA)
PE5021179-00 ELEC.ASSY (MOUNTING VEHICLE)
PE5021180-00 ELEC.ASSY (MOUNTING VEHICLE)
PF1010128-03 WINCH (OOKUBO)
PF1010131-01 WINCH (DRUM FREE,OPTION)
PF1010133-01 WINCH (DRUM FREE)
PF1010167-02 WINCH (HARTYS)
PF1010229-01 WINCH (Y.G.TEC)
PF1010237-01 WINCH (OOKUBO)
PF1010335-00 WINCH (DRUM FREE)
PF1020007-00 DRUM,WINCH (HARTYS)
PF1020025-00 DRUM,WINCH (Y.G.TEC)
PF1050063-01 HOOK (DRUM FREE,OPTION)
PF1050161-03 HOOK (1-PART LINE ,OPTION)
PF1050425-03 HOOK (LOCKING)

TM-ZR500 31094010010A FRAME/STD,MANUAL

Pos No.	Parts No	Parts Name	Qty	Unit	Technical Data	Serial No (Start)	Serial No (End)
1	36652290000	PUMP,HYDRAULIC (SGP2-44D2H9-L)	1				
2	36653390000	PUMP,HYDRAULIC (SGP2-36)	1				
3	36654640000	PUMP ASSY,OIL (36CC,32CC:L)	1				

TM-ZR500 31094010010A FRAME/STD,MANUAL

Pos No.	Parts No	Parts Name	Qty	Unit	Technical Data	Serial No (Start)	Serial No (End)	Remarks	Page
1	36400995010	CASE	1						
2	36400995020	GEAR	1						
3	36400995030	SHAFT	1						
4	36400995040	COVER	1						
5	36400995050	PACKING (COVER)	1						
6	36400995060	SHIM	1						
7	36400995070	SHIFTER SET	1						
8	36400995080	PACKING	1						
9	80500006306	BEARING,BALL	2						
10	91206030005	SEAL,OIL	1						
11	90191208020	BOLT	4		M8X20				
12	36400995090	PACKING (CASE)	1						
13	90191210016	BOLT	4		M10X16				
14	90302041001	WASHER,SPRING	12		10				
15	90191210030	BOLT	2		M10X30				
16	36400095150	BOLT,STUD	6		M10X1.25/1.5X43				
17	90267201000	NUT	6		M10				
21	31790790100	SUPPORT	1						
50	36400990000	POWER TAKE OFF	1						
100	31790790000	POWER TAKE OFF	1						

TM-ZR500 31094010010A FRAME/STD,MANUAL

Pos No.	Parts No	Parts Name	Qty	Unit	Technical Data	Serial No (Start)	Serial No (End)	Remarks	Page
1	36401375010	CASE	1						
2	36401375020	GEAR	1						
3	36401375030	SHAFT	1						
4	36401105060	SHIFTER SET	1						
5	36400995080	PACKING	1						
6	36400995040	COVER	1						
7	36400995050	PACKING (COVER)	1						
8	36400995060	SHIM	1						
9	80500006306	BEARING,BALL	2						
10	91206030005	SEAL,OIL	1						
11	90191208020	BOLT	4		M8X20				
12	90302040801	WASHER,SPRING	4		8				
13	90191210016	BOLT	4		M10X16				
14	90302041001	WASHER,SPRING	12		10				
19	36401375050	PACKING	2						
20	36400095150	BOLT,STUD	2		M10X1.25/1.5X43				
21	90191210030	BOLT	6		M10X30				
22	90267201000	NUT	2		M10				
24	31790790100	SUPPORT	1						
25	90191208025	BOLT	2		M8X25				
50	36401370000	POWER TAKE OFF	1						
100	31790950000	POWER TAKE OFF	1						

TM-ZR500 31094010010A FRAME/STD,MANUAL

Pos No.	Parts No	Parts Name	Qty	Unit	Technical Data	Serial No (Start)	Serial No (End)	Remarks
1	36402470510	CASE	1					
2	36402470520	GEAR	1					
3	36402470530	SHAFT	1					
4	36401125040	SLEEVE	1					
5	36401125050	SHIFTER SET	1					
6	36400095110	PACKING	1					
7	36400095070	COVER (BEARING)	1					
8	36400095080	PACKING (COVER)	1					
9	36400095090	SHIM	N					
10	36402470540	COLLAR	1					
11	80500006903	BEARING,BALL	1					
12	36401125080	BEARING,ROLLER	2					
13	36401125090	BEARING,NEEDLE	1					
14	91206030005	SEAL,OIL	1					
15	36401125100	RING,RETAINING	1					
16	90191208020	BOLT	4		M8X20			
17	90191208014	BOLT	3		M8X14			
18	90302040801	WASHER,SPRING	7		8			
20	36402015020	PACKING	2					
21	36402035040	BOLT	1		M10X1.5X120			
22	36402035050	BOLT	1		M10X1.5X110			
23	90191210050	BOLT	2		M10X50			
24	36402035010	BOLT,STUD	1					
25	36402035020	BOLT,STUD	1					
26	90267201000	NUT	2		M10			
27	90302041001	WASHER,SPRING	6		10			
28	36402470550	SPACER	1					
30	90191208025	BOLT	2		M8X25			
50	36402470000	POWER TAKE OFF ASSY	1					
60	31790990100	SUPPORT	1					
100	31792370000	POWER TAKE OFF	1					

TM-ZR500 31094010010A FRAME/STD,MANUAL

Pos No.	Parts No	Parts Name	Qty	Unit	Technical Data	Serial No (Start)	Serial No (End)	Remark
50	36652335010	GASKET	2					
51	36652335020	GASKET	2					
54	53063551010	SEAL,OIL	1					
55	80602110360	RING,RITAINING	1		R36			
100	36652910000	PUMP,HYDRAULIC (36CC:R)	1					

TM-ZR500 31094010010A FRAME/STD,MANUAL

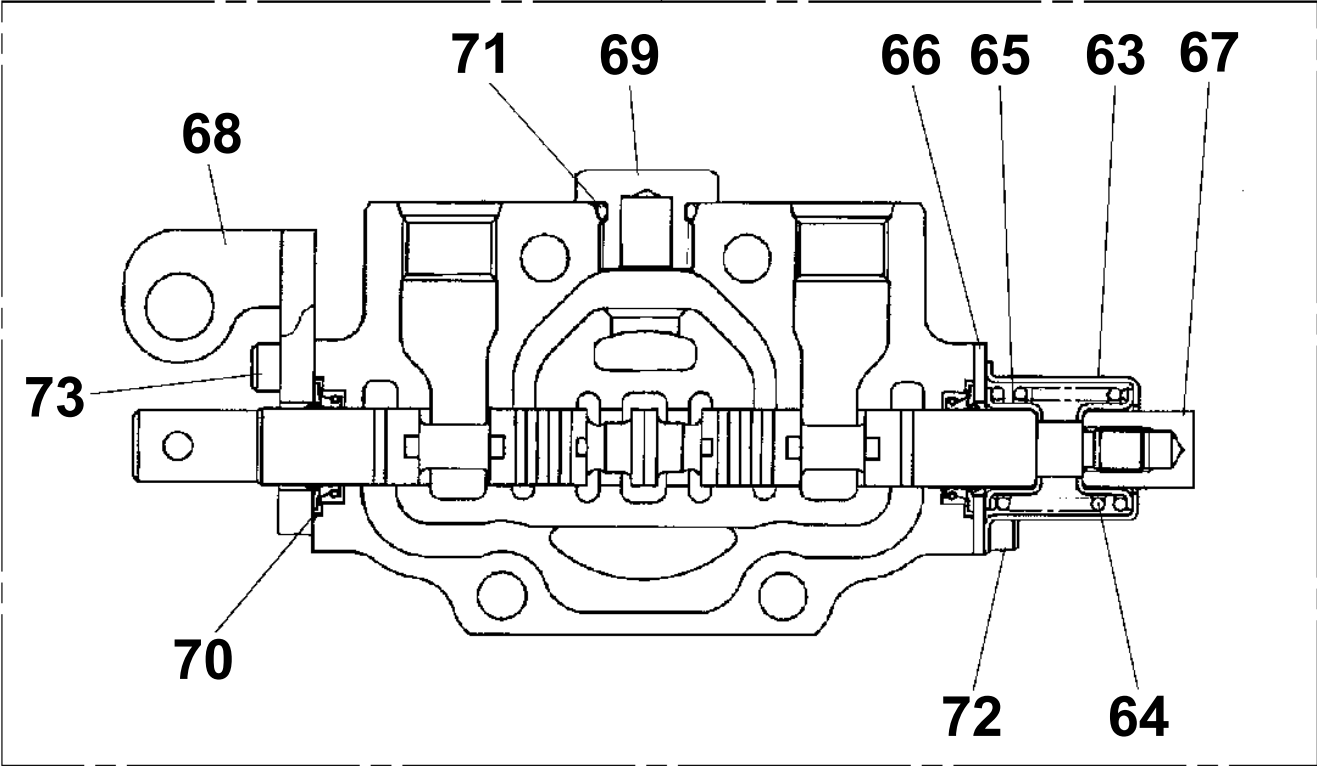
Pos No.	Parts No	Parts Name	Qty	Unit	Technical Data	Serial No (Start)	Serial No (End)	Remarks	Page
1	(*****)	TANK,OIL (MOUNT)	1						000
2	(*****)	PIPING,LOWER (TANK)	1						000

TM-ZR500 31094010010A FRAME/STD,MANUAL

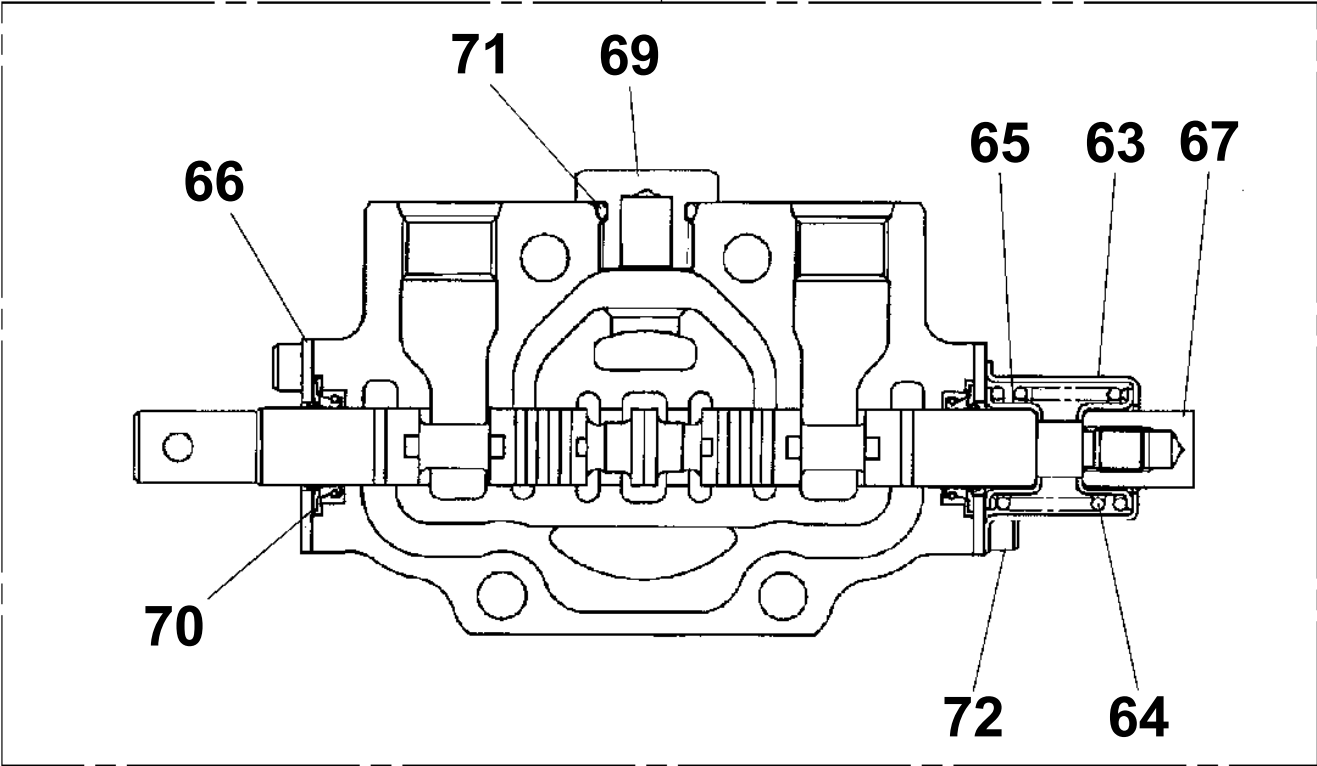
Pos No.	Parts No	Parts Name	Qty	Unit	Technical Data	Serial No (Start)	Serial No (End)	Remarks	Page
1	31631061000	RING,SLIP	1						
2	90180208016	BOLT,BUTTON	2		M8X16				
3	90302040801	WASHER,SPRING	6		8				
4	90102208035	BOLT	4		M8X35				
5	90303070801	WASHER,PLAIN	6		8				
6	82114203020	CONNECTOR (CAP)	1						
7	82121502020	PLATE	1						
8	82114203030	CONNECTOR (CAP)	1						
9	82121502030	PLATE	1						
10	82100002855	CAP	2						
31	31631803000	RING ASSY,SLIP	1			EH8711			0003

TM-ZR500 31094010010A FRAME/STD,MANUAL
PB1320543-00 VALVE,MANUAL CONTROL (MAIN/SANWA)

3



4

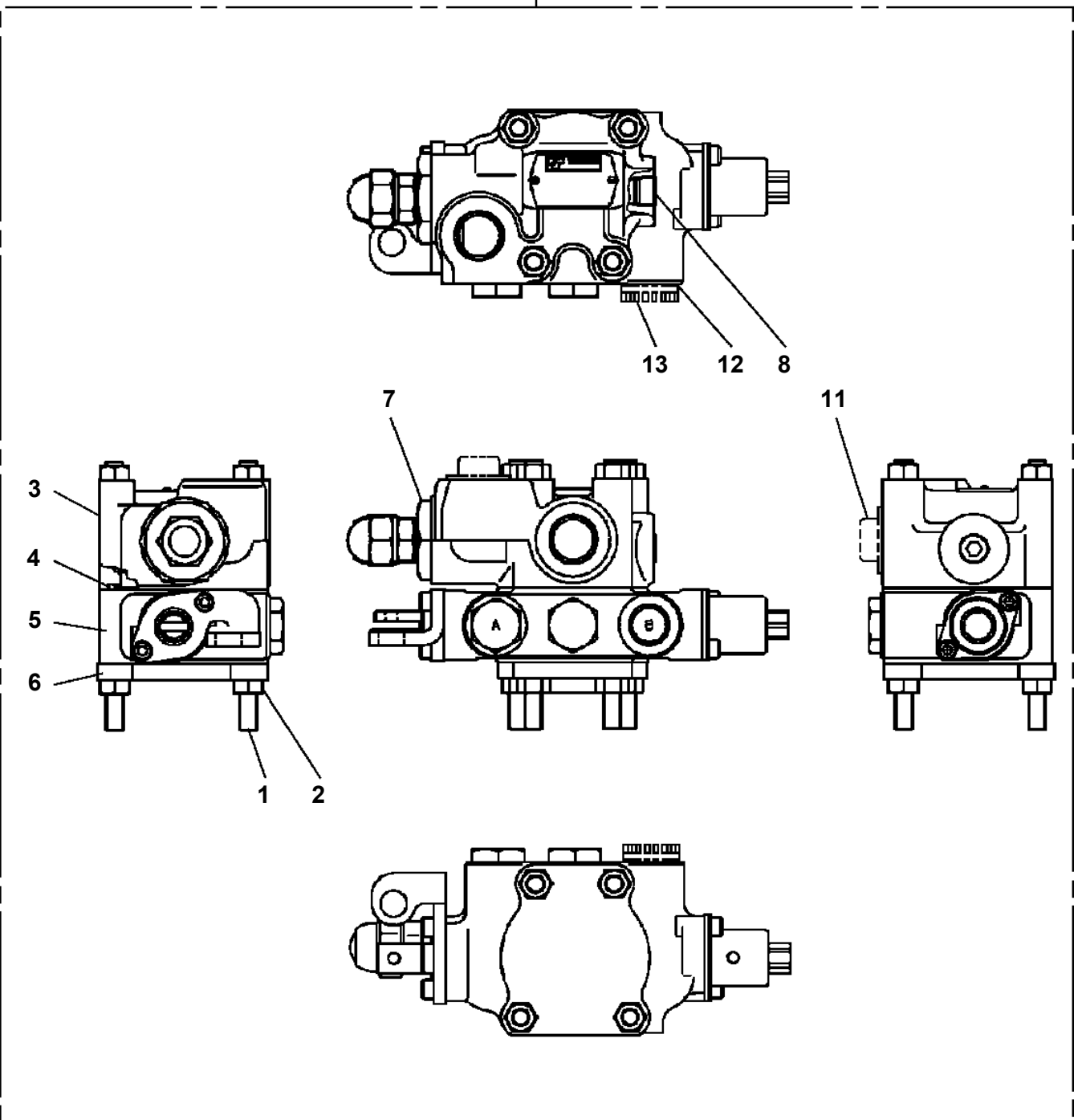


TM-ZR500 31094010010A FRAME/STD,MANUAL

Pos No.	Parts No	Parts Name	Qty	Unit	Technical Data	Serial No (Start)	Serial No (End)
1	36637335010	VALVE (BODY ASSY)	1				
2	36637335020	VALVE,CONTROL (TELESCOPING)	1				
3	36637335030	VALVE,CONTROL (WINCH)	1				
4	36637335040	VALVE,CONTROL (ELEVATING)	1				
5	36637665010	VALVE,CONTROL (SWING)	1				
6	36637335060	VALVE,CONTROL (JACK 2)	1				
7	36637335070	VALVE,CONTROL (JACK 1)	1				
8	36637335080	COVER (SIDE)	1				
9	36633165030	BOLT	1		M8X323		
10	36637335090	BOLT	3		M8X303		
11	90201200800	NUT	9		M8		
12	36637635030	VALVE,UNLOAD	1				
	36637335450	VALVE,UNLOAD	1			EH9797	EH9796
21	36637335110	BODY	1				
22	91002905500	O-RING	7		1B G55		
23	91002801800	O-RING	3		1B P18		
24	91002803500	O-RING	1		1B P35		
25	91002800600	O-RING	1		1B P6		
26	36637335120	PLUG	1		PF1/4		
27	91002801100	O-RING	1		1B P11		
28	36647205050	PLUG	4		NPT1-16		
	36647205050	PLUG	1		NPT1-16		EH9796
	36647205050	PLUG	2		NPT1-16	EH9797	
45	36637335130	O-RING	12		1A P14.5		
46	36637335140	SEAL,DUST	12				
47	36637335150	RETAINER (SEAL)	9				
48	36637335160	RETAINER (SPRING)	12				
49	36637335170	SPRING	6				
50	36637335180	END,SPOOL	6				
51	36637335190	COVER (SPRING)	4				
52	36637335200	BOLT,HEXAGON SOCKET	12		M6X20		
53	36637335210	COVER	3				
54	36637335220	BOLT,HEXAGON SOCKET	6		M6X15		
55	36636435060	VALVE,CHECK	6				
56	36635535140	SPRING	2				
57	36634085090	RETAINER (VALVE)	2				
58	91002801400	O-RING	7		1B P14		
59	36637335230	SOCKET	1				
60	36637335240	O-RING	1		1AS10		
61	36637335250	O-RING	1		1A S11.2		
62	36637335260	O-RING	1		1AS14		
63	36637335270	SPRING	1				
64	36637335280	SPOOL	1				
65	36637335290	SOLENOID ASSY	1				
66	36637335300	BOLT,HEXAGON SOCKET	2		M4X8		
67	36647205070	PLUG	4		GPM1/32		
93	36637335310	BOLT,HEXAGON SOCKET	6		M6X10		
98	36637335320	SEAT,VALVE	1				
99	14225101010	VALVE,REGULATOR	2				
100	36635175110	SPRING	1				
101	36637335330	CAP	1				
102	36637335340	O-RING	1		1B P15		
124	36635555080	SPRING	4				
125	36635045040	RETAINER (VALVE)	4				
140	36637335350	COVER	2				
161	36637335360	BODY	1				EH9796
163	36637335370	SPOOL	1				
164	36637545050	SPRING	1				
165	91002800800	O-RING	1		1B P8		
166	36634915280	PLUG	1				
167	36636005150	SOLENOID ASSY	1				EH9796
168	91002800900	O-RING	1		1B P9		
169	36637455020	SEAT,VALVE	1				

TM-ZR500 31094010010A FRAME/STD,MANUAL
PB1320624-00 VALVE,MANUAL CONTROL

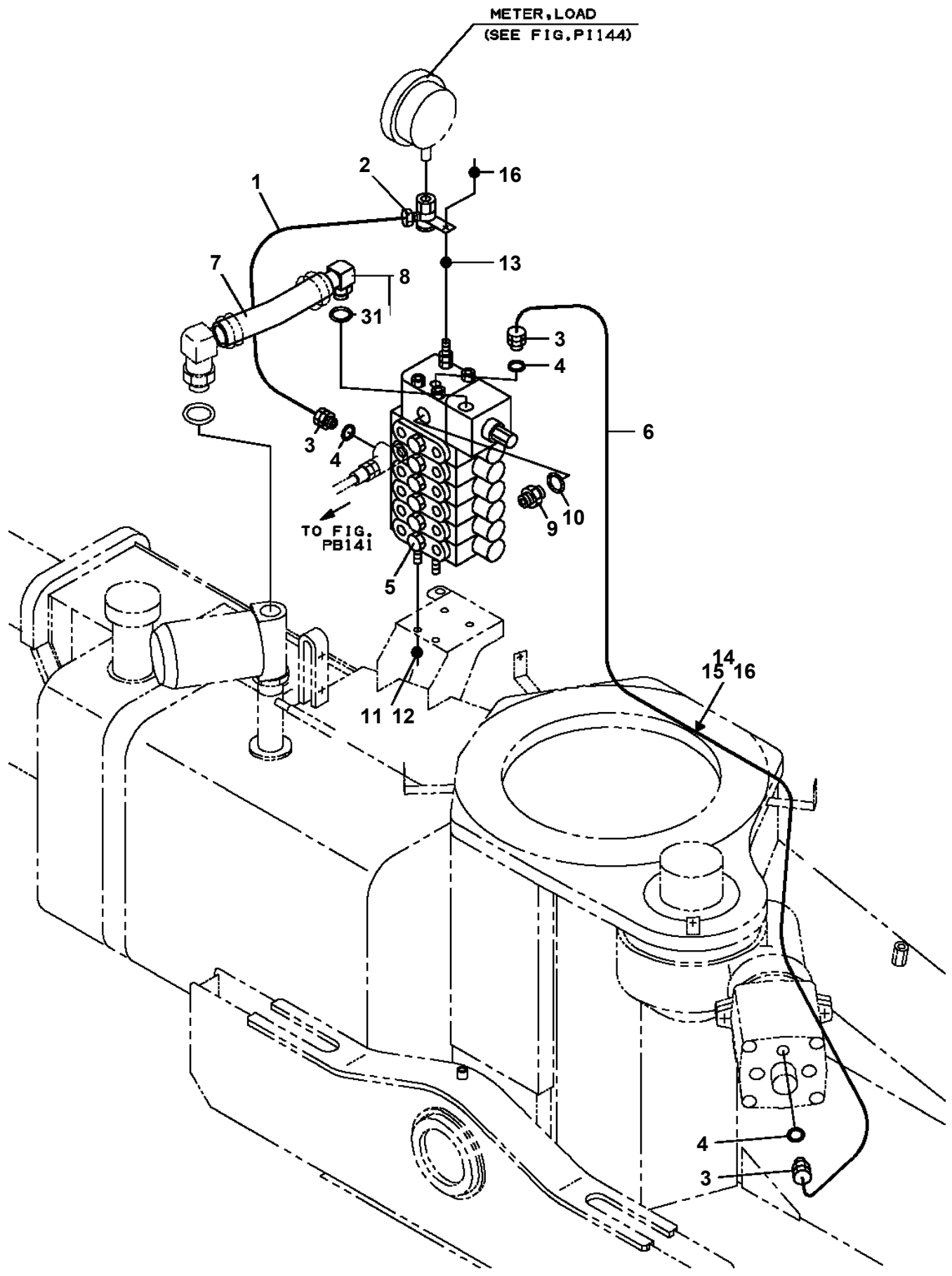
500



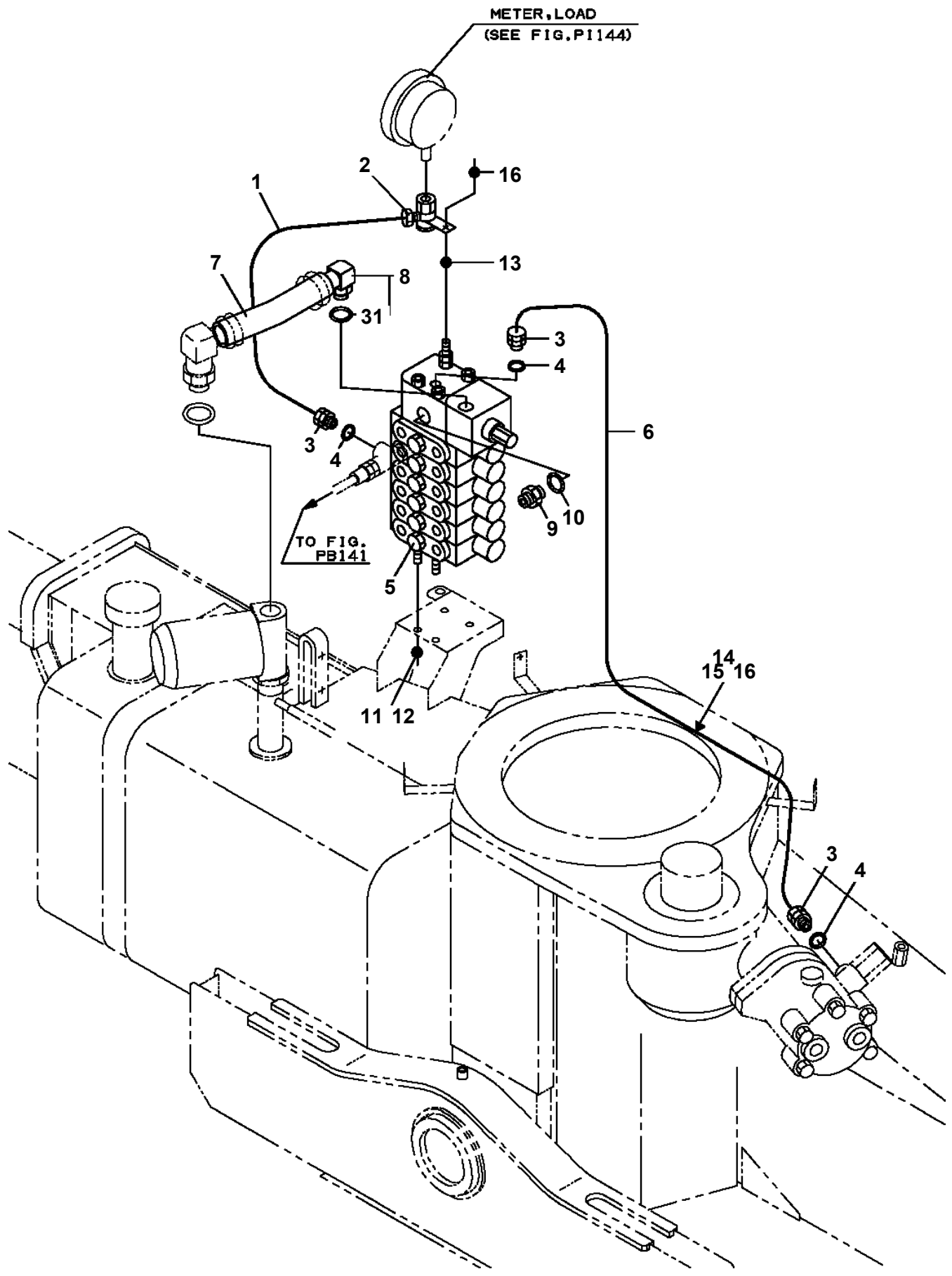
TM-ZR500 31094010010A FRAME/STD,MANUAL

Pos No.	Parts No	Parts Name	Qty	Unit	Technical Data	Serial No (Start)	Serial No (End)	Rem
1	31611617510	ADAPTER ASSY	1					
6	36672985050	COUPLING	1					
7	36654275010	MOTOR ASSY	1					
12	44550417820	TANK	1					
14	31611617540	CAP (OIL FILLER)	1					
16	44550417840	CLAMP	2					
17	36672985020	BOLT,HEXAGON SOCKET	4		M6X16			
18	44550417860	GASKET (WITH O-RING)	1					
30	31611617550	VALVE ASSY	1					
31	31611617560	VALVE,SOLENOID	2					
34	31611617570	MANIFOLD	1					
36	31611617580	O-RING	2					
71	36654275020	CONTACTOR	1					
96	36672985010	PLUG	2					
100	36672980001	POWER SUPPLY (REAR JACK)	1					

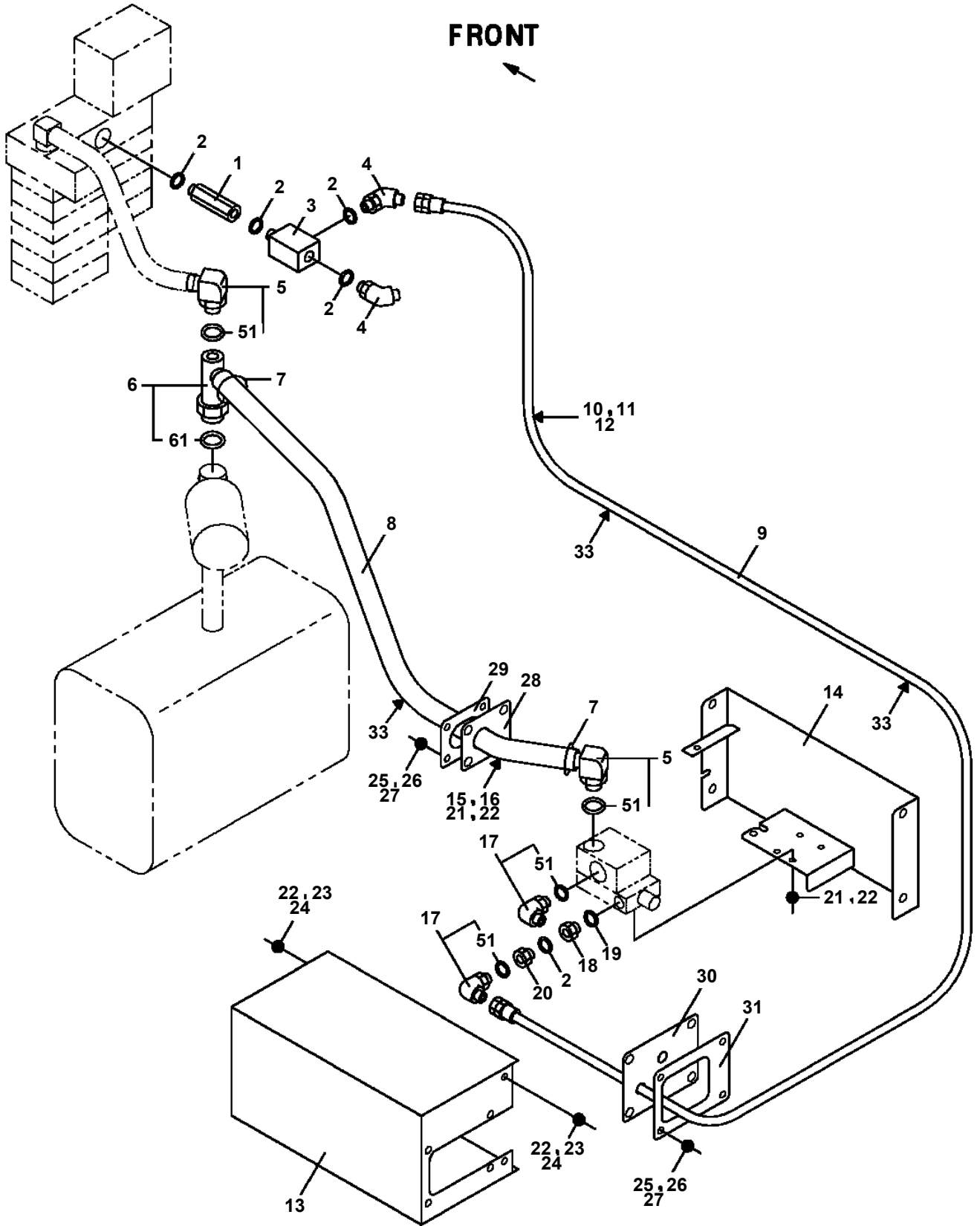
TM-ZR500 31094010010A FRAME/STD, MANUAL
PB1411101-00 PIPING, LOWER (VALVE/NABCO)



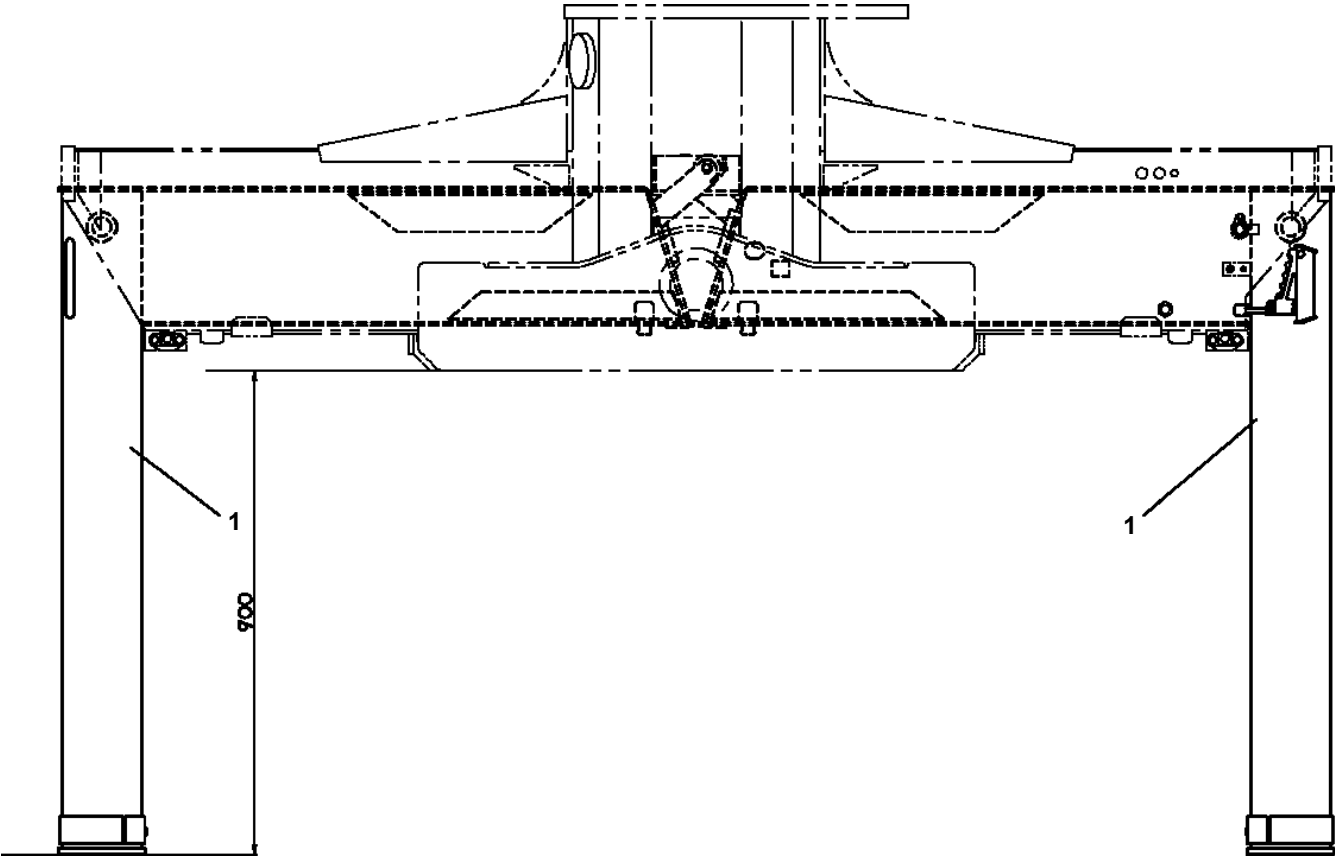
TM-ZR500 31094010010A FRAME/STD,MANUAL
PB1411416-00 PIPING,LOWER (VALVE/NABCO)



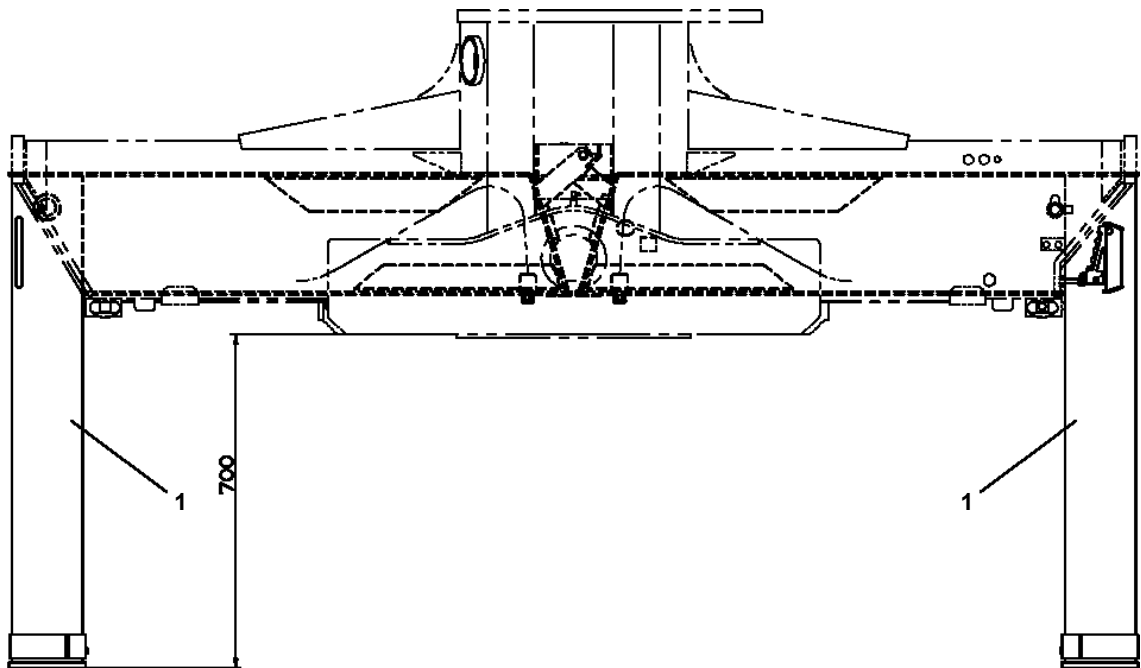
TM-ZR500 31094010010A FRAME/STD,MANUAL
PB1910206-00 PIPING (VALVE)



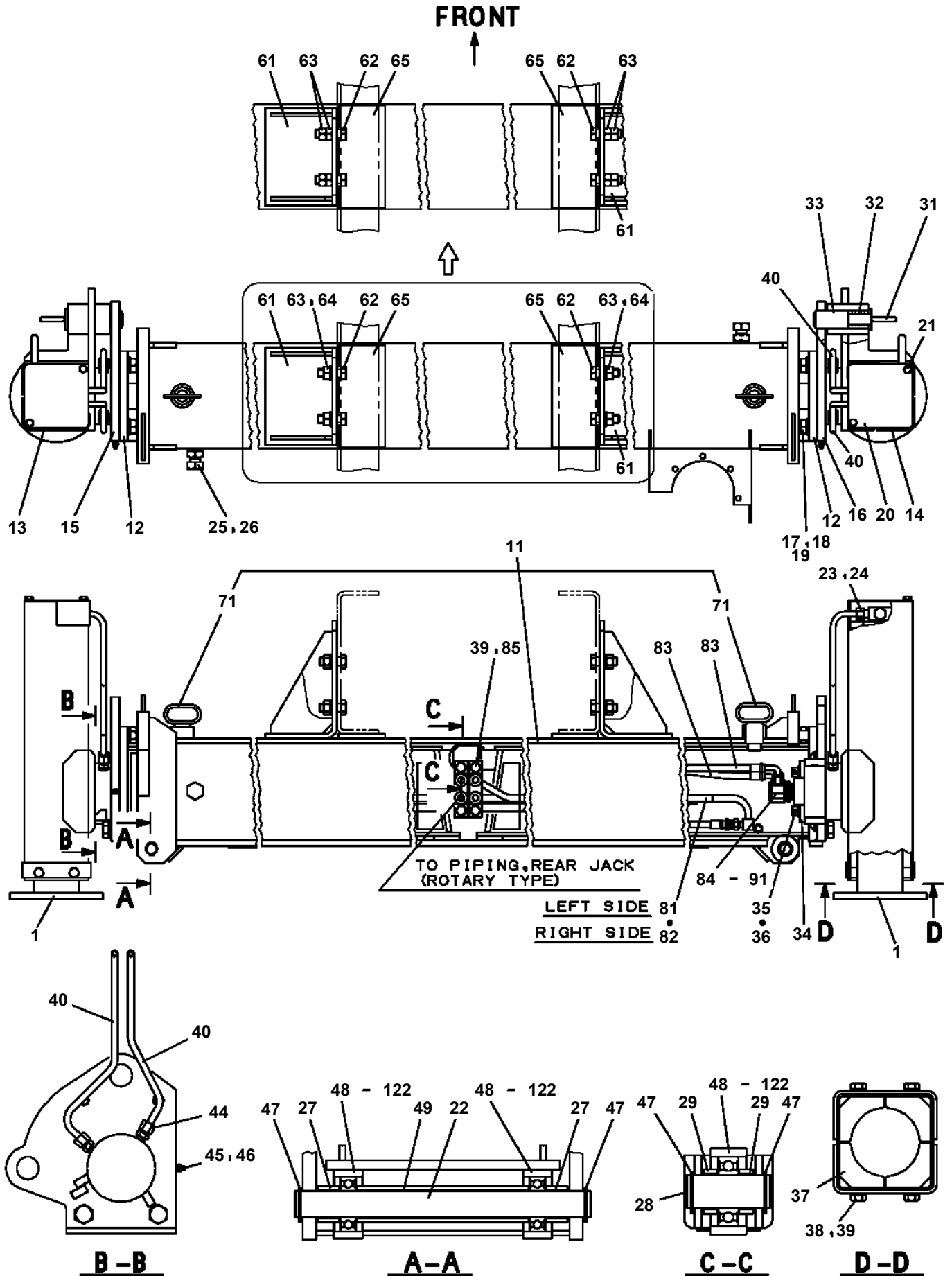
TM-ZR500 31094010010A FRAME/STD,MANUAL
PC1010805-00 OUTRIGGER (MOUNT,L=900/FOR EXPORT)



TM-ZR500 31094010010A FRAME/STD,MANUAL
PC1010962-01 OUTRIGGER (MOUNT,L=700)



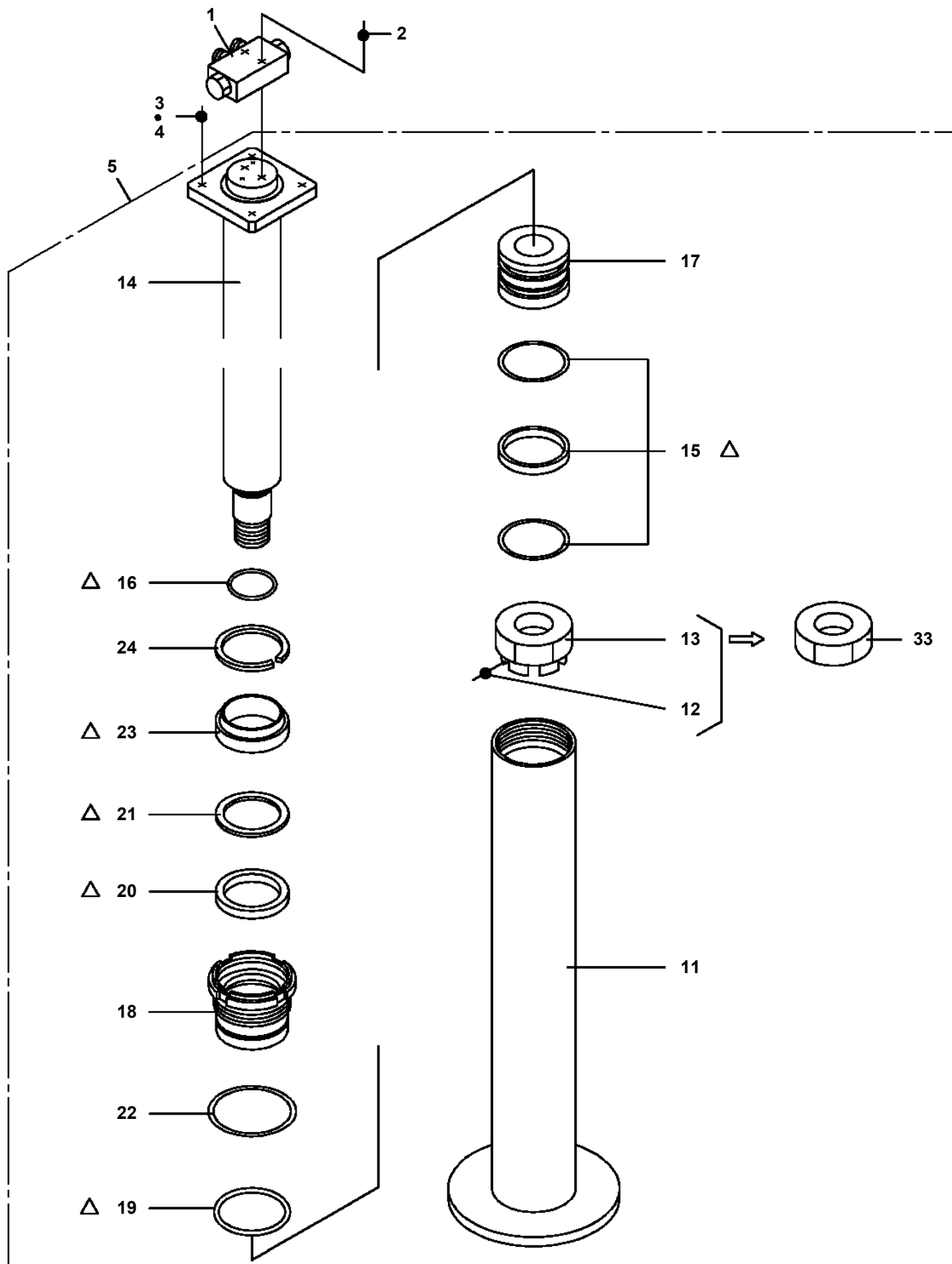
**TM-ZR500 31094010010A FRAME/STD,MANUAL
PC1020004-01 OUTRIGGER,REAR (ROTARY/LOW TRUCK BED)**



TM-ZR500 31094010010A FRAME/STD,MANUAL
PC1020055-00 OUTRIGGER,REAR (ROTARY/HIGH TRUK BED)

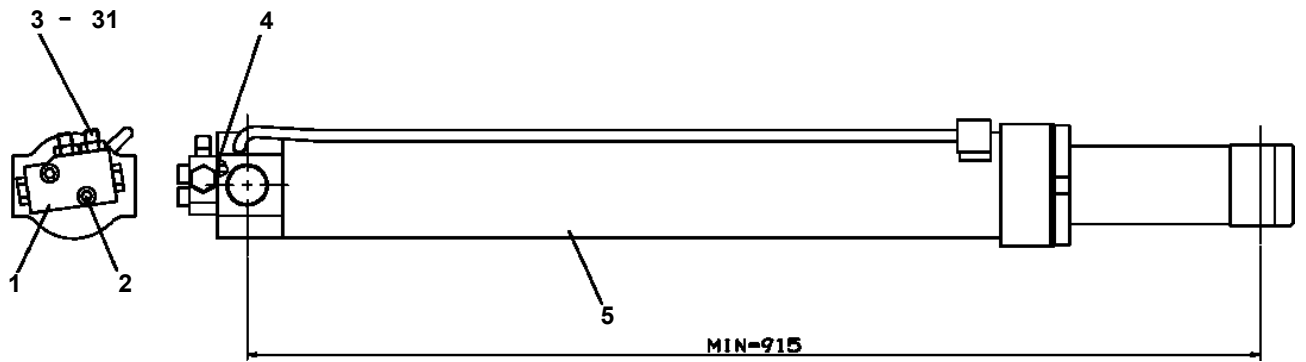
1	アウトリガ ,リヤ OUTRIGGER,REAR
2	ハイセンASSY ELEC.ASSY
3	パイピング ,リヤ ジャッキ PIPING,REAR JACK
4	プレートASSY,ネーム PLATE ASSY,NAME

**TM-ZR500 31094010010A FRAME/STD,MANUAL
PC1030013-04 CYLINDER,JACK (REAR/STROKE 430MM)**



△:PACKING SET KEY NO. 50 (KEY NO.15,16,19,20,21,23)

**TM-ZR500 31094010010A FRAME/STD,MANUAL
PC1030348-02 CYLINDER,JACK (STORKE 550)**



TM-ZR500 31094010010A FRAME/STD,MANUAL

Pos No.	Parts No	Parts Name	Qty	Unit	Technical Data	Serial No (Start)	Serial No (End)
1	80400160203	JOINT (WITH O-RING)	1				
2	80400160182	JOINT (WITH O-RING)	2				
3	91803600400	CLIP	2		D=27-40		
4	37002512560	HOSE	1		L=1640		
5	37002450920	HOSE	1		L=1700		
6	91810130270	FASTENER	4				
7	36635620000	VALVE,MANUAL CONTROL (REAR OUTRIGGER)	1				
8	80430620800	JOINT	1				
9	90101208025	BOLT	3		M8X25		
10	90302040801	WASHER,SPRING	3		8		
11	80491303030	JOINT (WITH O-RING)	2		L,PF3/8-PF3/8		
12	80481103030	JOINT	2		L,G3/8-G3/8		
13	91002801400	O-RING	2		1B P14		
14	37000924110	JOINT	2		S,G1/2-G1/2		
15	80481004042	JOINT	1				
16	91002801800	O-RING	3		1B P18		
17	37002447870	HOSE	4		L=980		
18	80320512020	FITTING	4				
19	81408000160	PIPE,STEEL	4	M	12X1.4T		
20	80301140100	FITTING	4				
21	80321010080	JOINT	4				
22	37002441220	HOSE	4		L=940		
23	31642951100	COVER	1				
24	31622044100	CLAMP ASSY	1				
25	31644140200	SUPPORT	1				
26	37000703670	CLAMP ASSY	7				
27	31641772800	CLAMP ASSY	1				
41	91002802900	O-RING	1		1B P29		
51	91002801800	O-RING	3		1B P18		
61	91002801400	O-RING	2		1B P14		

TM-ZR500 31094010010A FRAME/STD,MANUAL

Pos No.	Parts No	Parts Name	Qty	Unit	Technical Data	Serial No (Start)	Serial No (End)	Remarks	Pages
7	36804917060	STEM	1						
8	36804917640	PANEL	1						
29	36804917730	GASKET	1						
30	36804917740	FRAME	1						
31	36804917750	SCREW(3X8)	6						
900	36804911001	CONTROL UNIT	1						

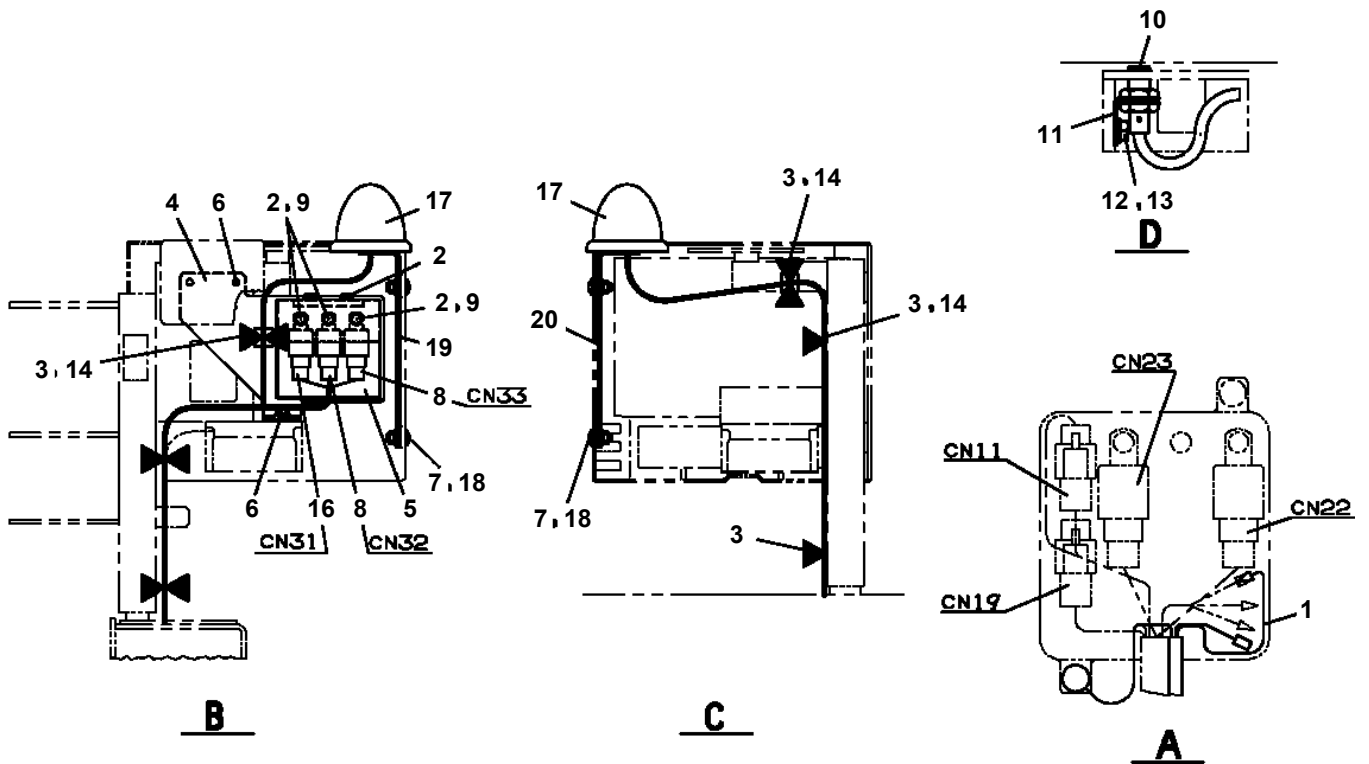
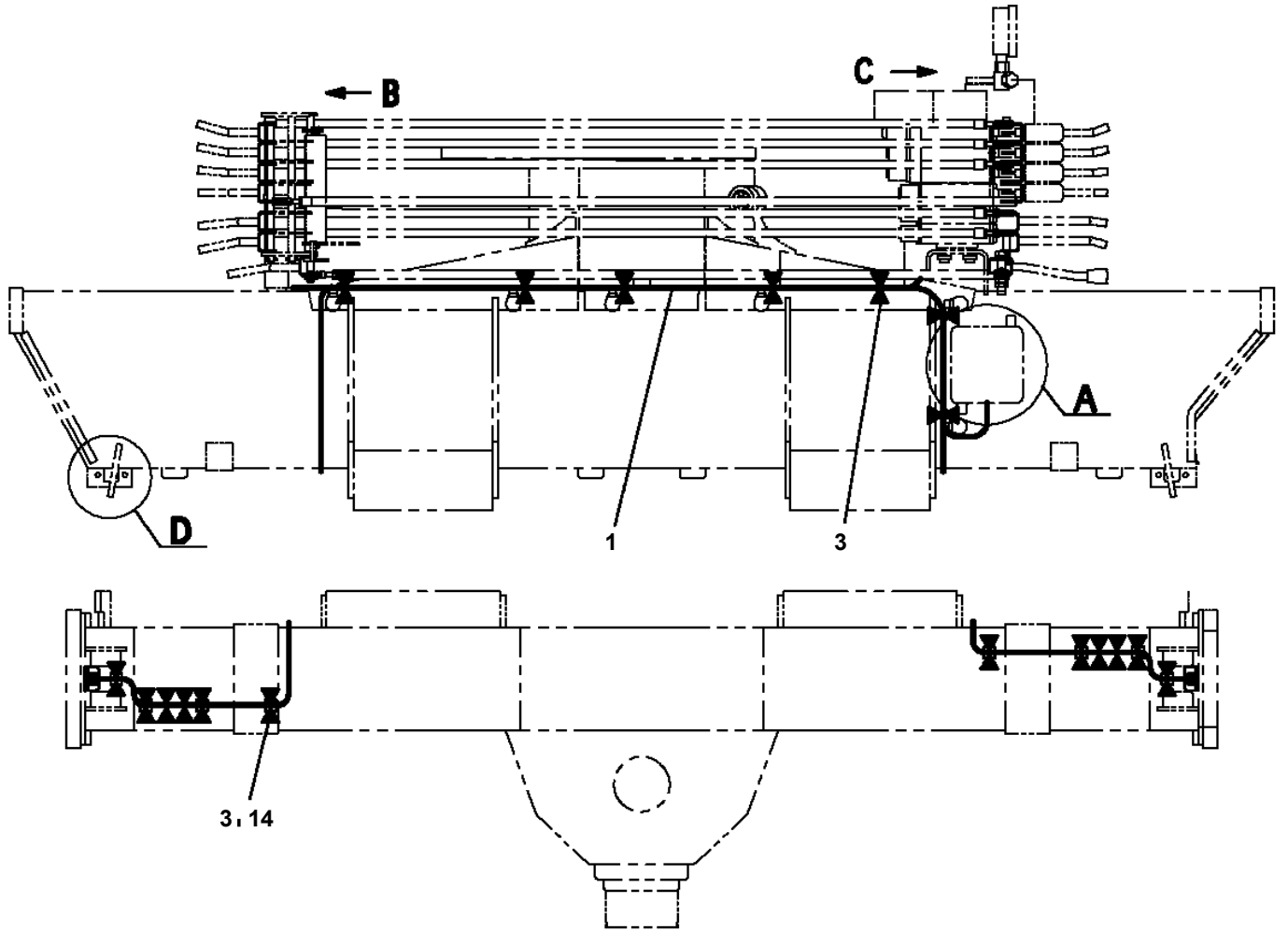
TM-ZR500 31094010010A FRAME/STD,MANUAL

Pos No.	Parts No	Parts Name	Qty	Unit	Technical Data	Serial No (Start)	Serial No (End)
1	37001601420	NUT	1		M27X2		
2	91002902500	O-RING	1		1B G25		
3	91350206000	BEARING,PLAIN (WITH PACKINGX2)	1				
4	36013823000	PISTON	1				
5	36033162000	ROD	1				
6	36034731000	CYLINDER	1				EW6560
	36034731001	CYLINDER	1			EW6561	
7	36013823200	COVER,ROD	1				
8	91002905500	O-RING	1		1B G55		
9	91694004500	PACKING	1				
10	91410204502	RING,BACKUP	1				
11	91660004501	SEAL,DUST	1				
12	42346381200	ORIFICE	1			EW6561	
50	36033169910	PACKING SET	1		45X60		
100	36034730000	CYLINDER ASSY,JACK (MIN.550)	1				

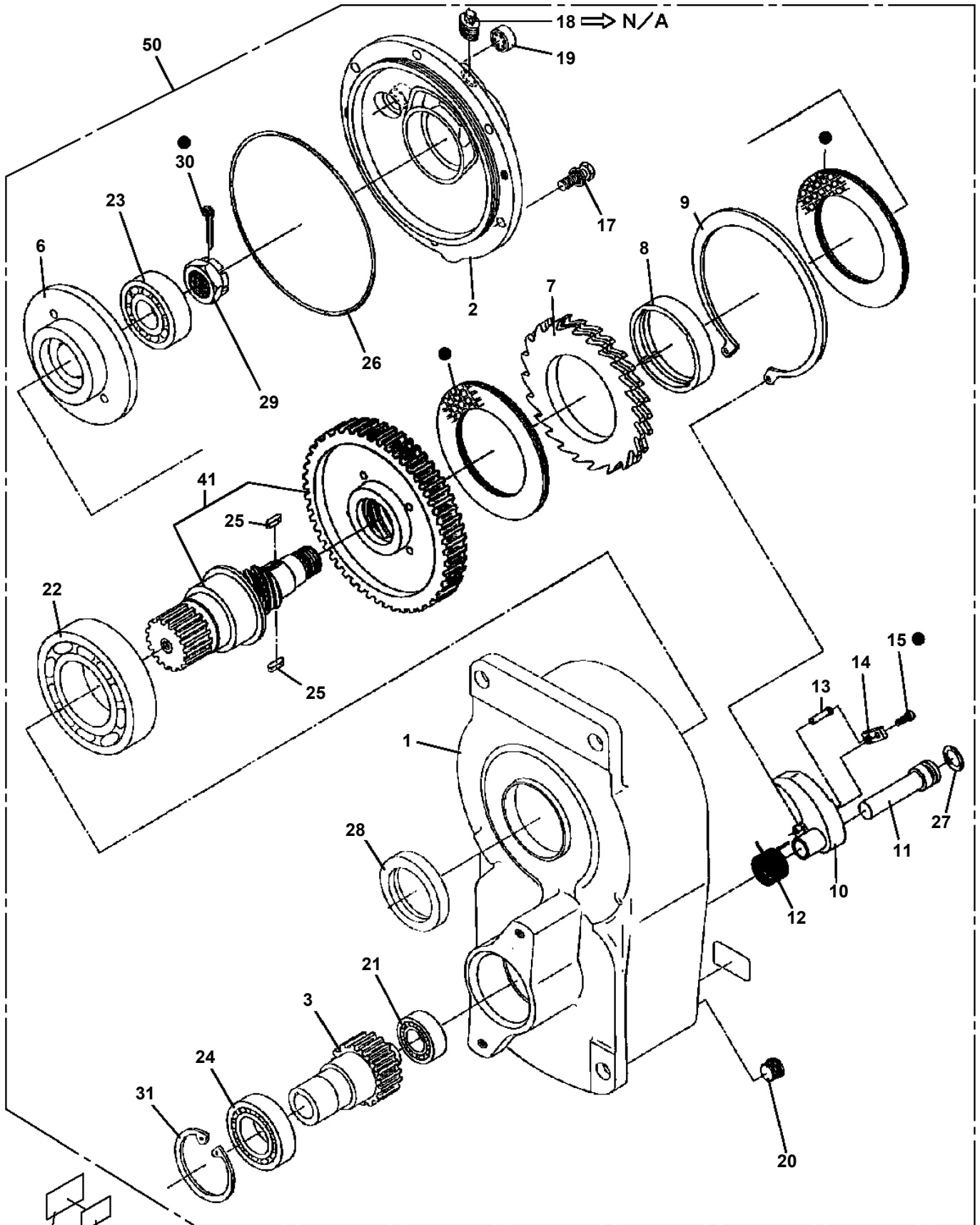
TM-ZR500 31094010010A FRAME/STD,MANUAL

Pos No.	Parts No	Parts Name	Qty	Unit	Technical Data	Serial No (Start)	Serial No (End)
1	90171110040	BOLT	2		M10X40		
2	90302041001	WASHER,SPRING	2		10		
3	36605180001	VALVE,COUNTERBALANCE	1				
4	36026220000	CYLINDER,ELEVATING	1				
5	82400000459	CAP	2				
11	82456101000	NIPPLE,GREASE	2		A-PT1/8		
12	37000403110	BEARING,PLAIN	4				
13	36026221000	PISTON	1				
14	91350216000	BEARING,PLAIN (WITH PACKINGX2)	1				
15	91002910500	O-RING	1		1B G105		
16	36026229510	CYLINDER ASSY	1				
17	36026229520	ROD ASSY	1				
18	37000403900	BEARING,PLAIN	1				
19	91002915000	O-RING	1		1B G150		
20	36026469530	COVER,ROD	1				
21	91694111000	PACKING	1				
22	91410211002	RING,BACKUP	1				
23	91660011000	SEAL,DUST	1				
24	80622001100	RING,RITAINING	1		SP110		
25	80612111180	RING,RITAINING	1		AR118		
30	36026229900	PACKING SET	1		110X160		
100	31241060000	CYLINDER,ELEVATING	1				

TM-ZR500 31094010010A FRAME/STD, MANUAL
 PE5020113-00 ELEC.ASSY



**TM-ZR500 31094010010A FRAME/STD,MANUAL
PF1010128-03 WINCH (OOKUBO)**



● PROTECTIVE SEAL
 ■ REPLACEMENT INTERVAL NAME PLATE

● :FACING KIT KEY NO.101 (JAPANESE)
 ● :FACING KIT KEY NO.102 (ENGLISH)

TM-ZR500 31094010010A FRAME/STD,MANUAL

Pos No.	Parts No	Parts Name	Qty	Unit	Technical Data	Serial No (Start)	Serial No (End)	Remarks
2	36073085020	COVER	1					
3	36073085030	GEAR	1					
6	36073085060	BRAKE,DISK	1				EH9932	
	36073085061	BRAKE,DISK	1			EH9933		
7	36073085070	WHEEL,RATCHET	1				EH9932	
	36073085071	WHEEL,RATCHET	1			EH9933	EH9998	
	36073085072	WHEEL,RATCHET	1			EH9999		
8	36073085080	RING (C)	1					
10	36073085090	RATCHET	1					
11	36073085100	SHAFT	1					
12	36073085110	SPRING	1					
13	36073085120	CAP	1					
14	36073085130	PIN	1					
15	36073085140	NUT	1					
16	80500006202	BEARING,BALL	1					
17	80500006212	BEARING,BALL	1					
18	80500006305	BEARING,BALL	1					
19	80500006007	BEARING,BALL	1					
20	36073085150	SEAL,OIL	1					
21	80602110620	RING,RITAINING	1		R62			
22	36071195200	O-RING	1					
23	91001101500	O-RING	1		1A P15			
24	80136340040	PIN,SPLIT	1		4X40			
25	36073085160	KEY	2					
26	36073085180	BOLT (WITH SW)	6					
27	36073085200	PLUG	1					
28	36073085170	GAUGE,OIL	1					
29	80172304015	SCREW,MACHINE	1		M4X15			
30	90302040401	WASHER,SPRING	1		4			
41	36073085600	GEAR ASSY	1				EH9932	
	36073085601	GEAR ASSY	1			EH9933	EH9998	
	36073085602	GEAR ASSY	1			EH9999		
100	36073080000	WINCH (Y.G.TEC)	1					
101	36070441000	FACING KIT(JAPANESE)	1					
102	36070442000	FACING KIT (ENGLISH)	1					

TM-ZR500 31094010010A FRAME/STD,MANUAL

Pos No.	Parts No	Parts Name	Qty	Unit	Technical Data	Serial No (Start)	Serial No (End)	Remarks
1	36091929520	BODY ASSY	1					
2	80720104028	PIN,SPRING	1		4X28			
4	90303071801	WASHER,PLAIN	1		18			
5	12231505000	BEARING,PLAIN	1					
11	36091929510	HOOK ASSY	1					
12	90710008160	SCREW,SET	1		M8X16			
30	36094049510	STOPPER ASSY	1					
50	36091920000	HOOK (DRUM FREE,OPTION)	1					

TM-ZR500 31094010010A FRAME/STD,MANUAL

Pos No.	Parts No	Parts Name	Qty	Unit	Technical Data	Serial No (Start)	Serial No (End)	Remarks	Pages
1	31440250100	ROLLER ASSY	1						
2	37000105740	PIN	2						
3	80136332020	PIN,SPLIT	2		3.2X20				
4	90303071001	WASHER,PLAIN	4		10				
5	37001300000	SPRING	2						
21	37001107470	ROLLER ASSY	2						
22	37001108310	ROLLER ASSY	1						
23	31440250300	PIN	1						
24	31440250150	SUPPORT	1						
25	31440150350	WASHER,PLAIN	2						
26	90286001007	NUT	2		M10 P=1.25				
31	80516006001	BEARING,BALL	4						
43	80602110280	RING,RITAINING	2		R28				

TM-ZR500 31094010010A FRAME/STD,MANUAL

Pos No.	Parts No	Parts Name	Qty	Unit	Technical Data	Serial No (Start)	Serial No (End)
1	(*****)	OUTRIGGER,REAR (FRAME)	1				
2	(*****)	LOCK ASSY (REAR OUTRIGGER)	1				
3	(*****)	CYLINDER,JACK (REAR OUTRIGGER)	2				
4	(*****)	PIPING,REAR JACK (2,ROTARY)	1				
100	31624970000	FRAME ASSY (R/O:WITH LOCK ASSY)	1				

TM-ZR500 31094010010A FRAME/STD,MANUAL

Pos No.	Parts No	Parts Name	Qty	Unit	Technical Data	Serial No (Start)	Serial No (End)	Remark
1	36130235010	PLATE (BASE)	1					
2	36131755010	CASE	1					
3	36131755020	DRUM ASSY	1					
4	32360005050	RING,SLIP	1					
5	32360005060	CONTACTOR ASSY	1					
6	36131745040	CASE	1					
7	31370105030	PACKING	1					
8	91001209000	O-RING	1		1A G90			
9	36131745060	BRACKET	1					
10	36131745010	POTENTIOMETER	1					
11	36130915030	SEAL	1					
12	36131745070	GEAR	1					
13	82100000192	TERMINAL	1					
14	36161185010	CAP	1					
15	82100000191	TERMINAL	1					
16	36131625050	CAP	1					
17	31370005080	GUIDE (CORD)	1					
18	36131745080	CORD ASSY	1					
19	82100001406	CONNECTOR (SEAL)	1					
20	36130795030	STOPPER	2					
31	36131745090	CORD	17	M				
100	36131750000	DETECTOR,BOOM LENGTH	1					

TM-ZR500 31094010010A FRAME/STD,MANUAL

Pos No.	Parts No	Parts Name	Qty	Unit	Technical Data	Serial No (Start)	Serial No (End)	Remarks	Pages
1	31477172600	ROPE ASSY	1		L=1480				

TM-ZR500 31094010010A FRAME/STD,MANUAL

Pos No.	Parts No	Parts Name	Qty	Unit	Technical Data	Serial No (Start)	Serial No (End)	Remarks	Pages
39	82100000745	FUSE	1		10A,6.5X30				
40	82100002832	HOLDER,FUSE	1						
100	31653221201	HARNESS	1						

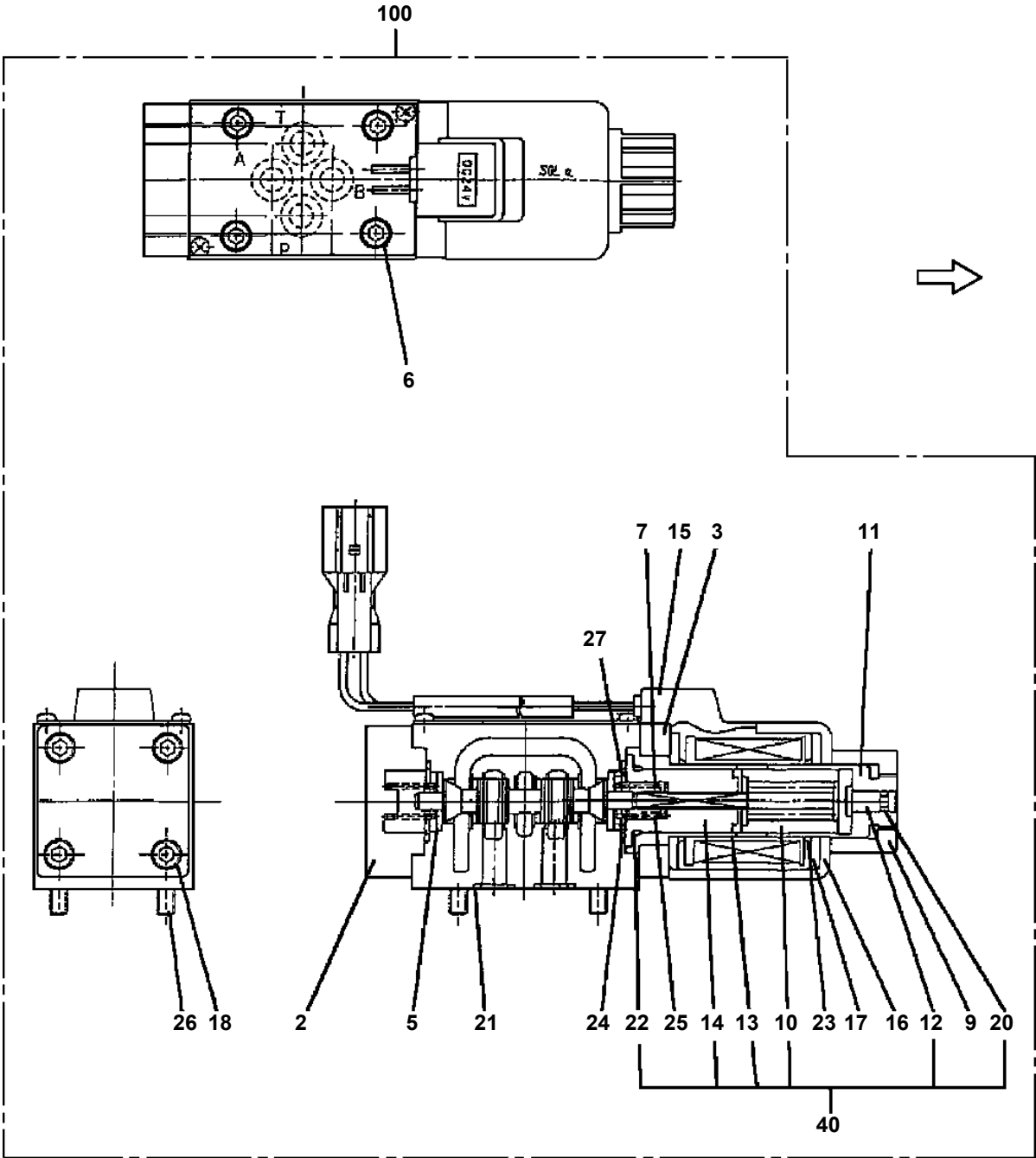
TM-ZR500 31094010010A FRAME/STD,MANUAL

Pos No.	Parts No	Parts Name	Qty	Unit	Technical Data	Serial No (Start)	Serial No (End)	Remarks	Pages
1	31473744700	HARNESS (L=1000)	1						

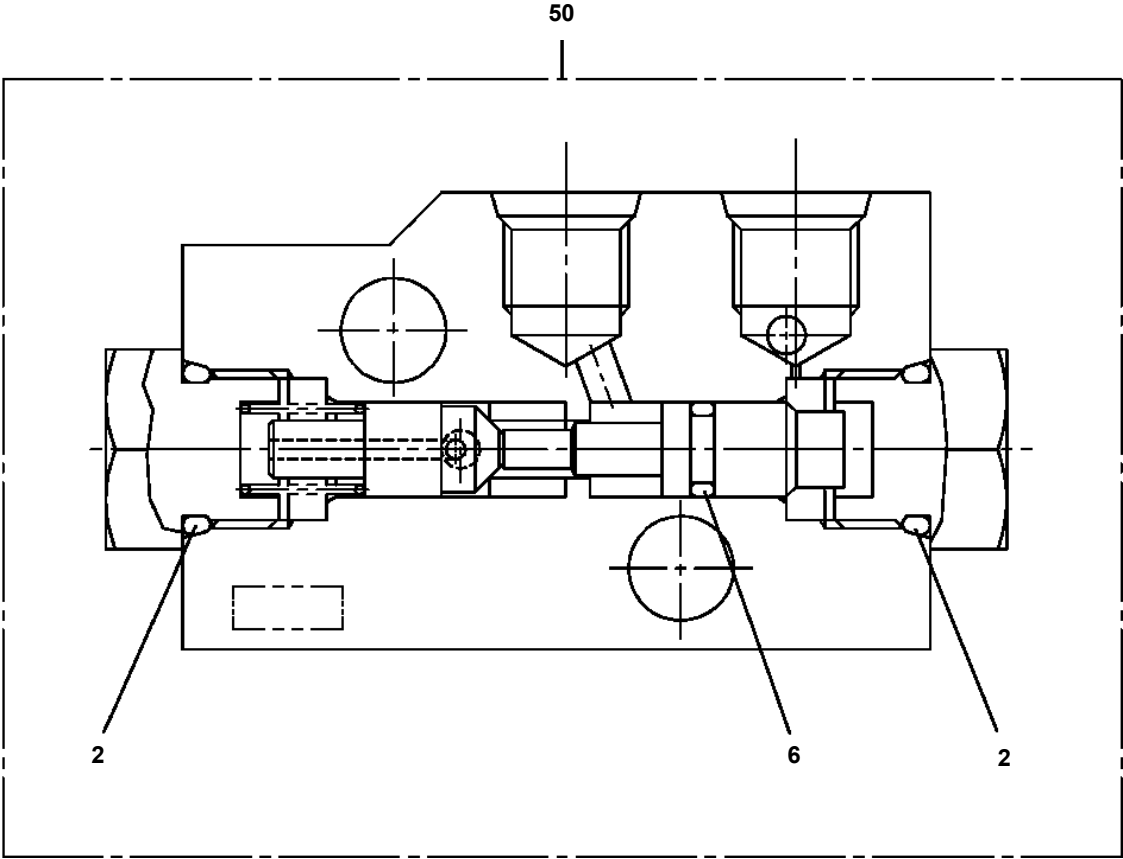
TM-ZR500 31094010010A FRAME/STD,MANUAL

Pos No.	Parts No	Parts Name	Qty	Unit	Technical Data	Serial No (Start)	Serial No (End)	Remarks	Pages
1	31361312100	HARNESS	1						

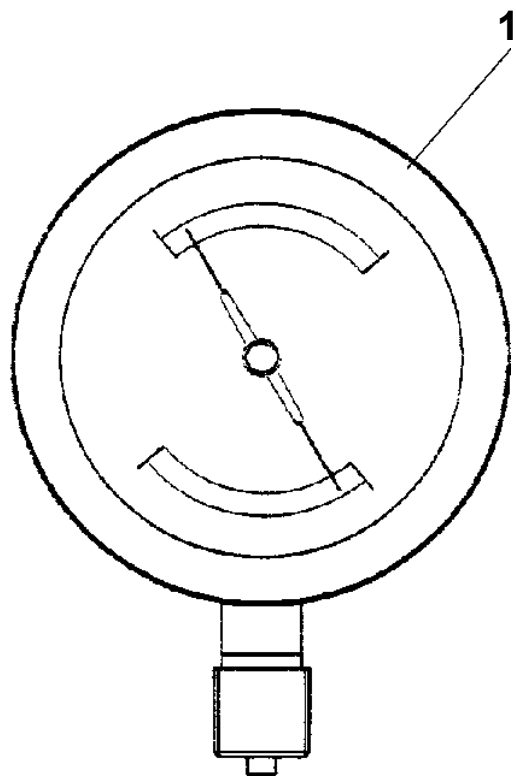
TM-ZR500 31094010010A FRAME/STD,MANUAL
PI1120196-03 VALVE,SOLENOID



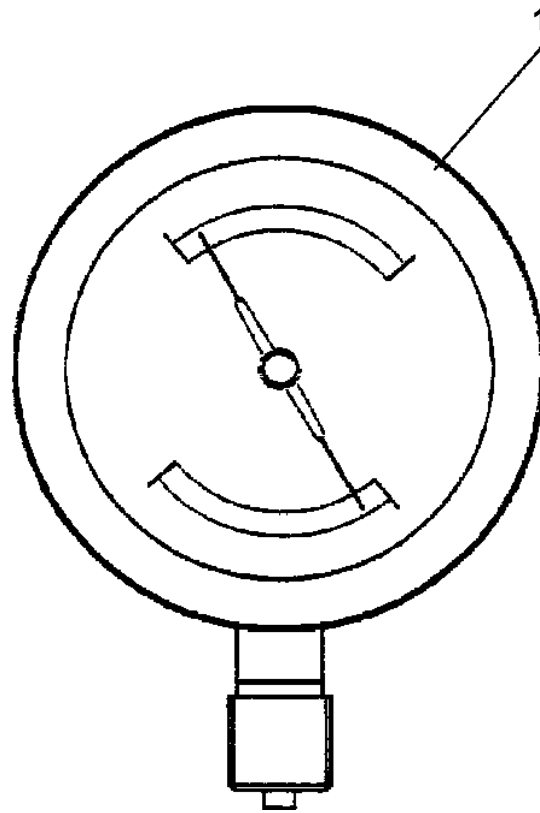
**TM-ZR500 31094010010A FRAME/STD,MANUAL
PI1280051-00 VALVE,PILOT CHECK**



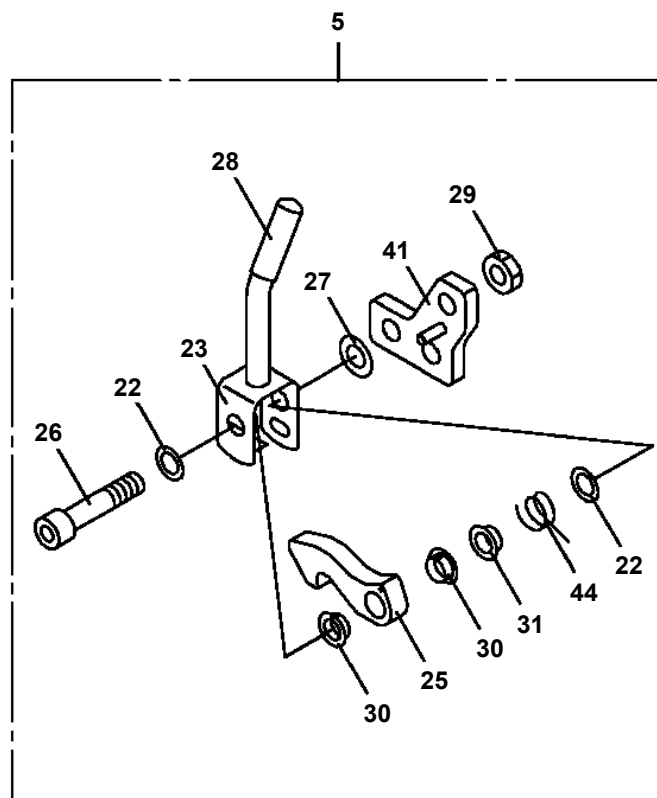
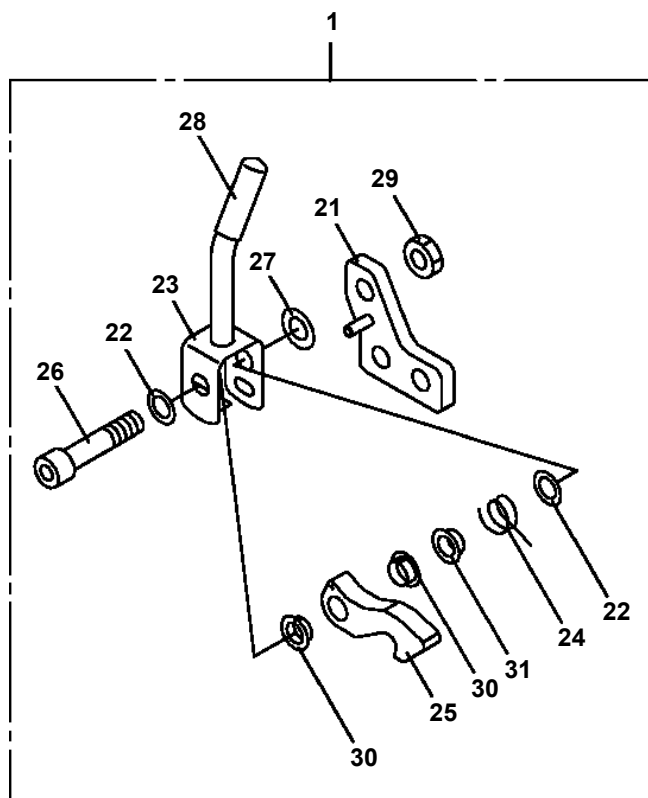
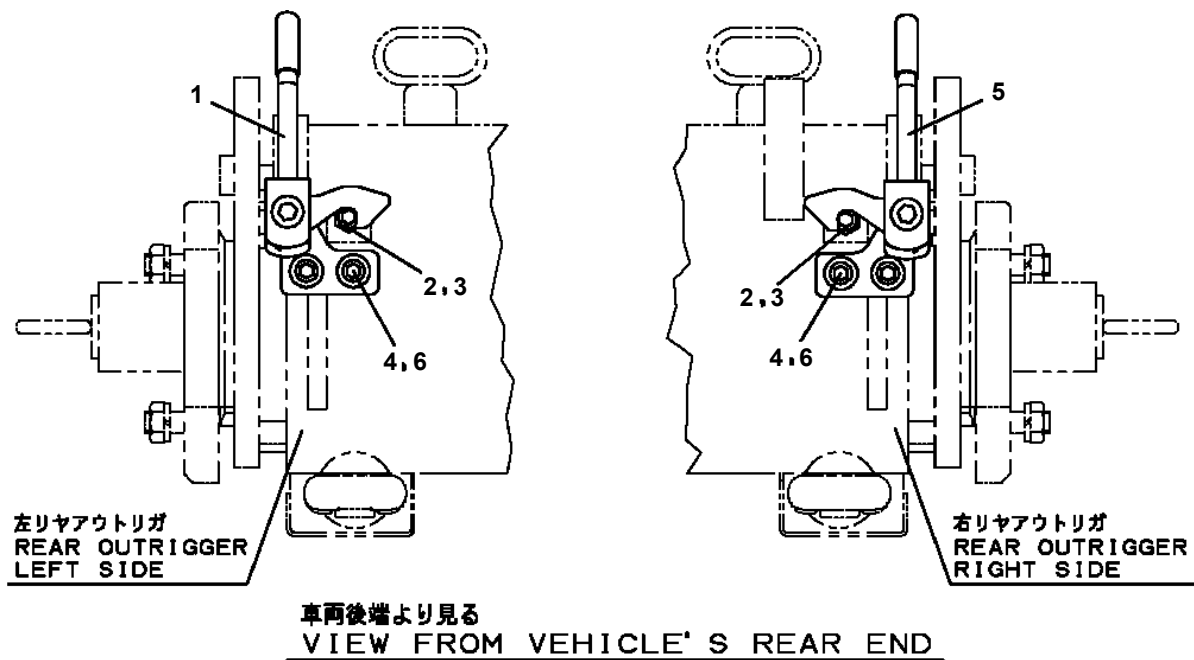
**TM-ZR500 31094010010A FRAME/STD,MANUAL
PI1440017-00 METER,LOAD (3.0TON NAGANO/FRENCH)**



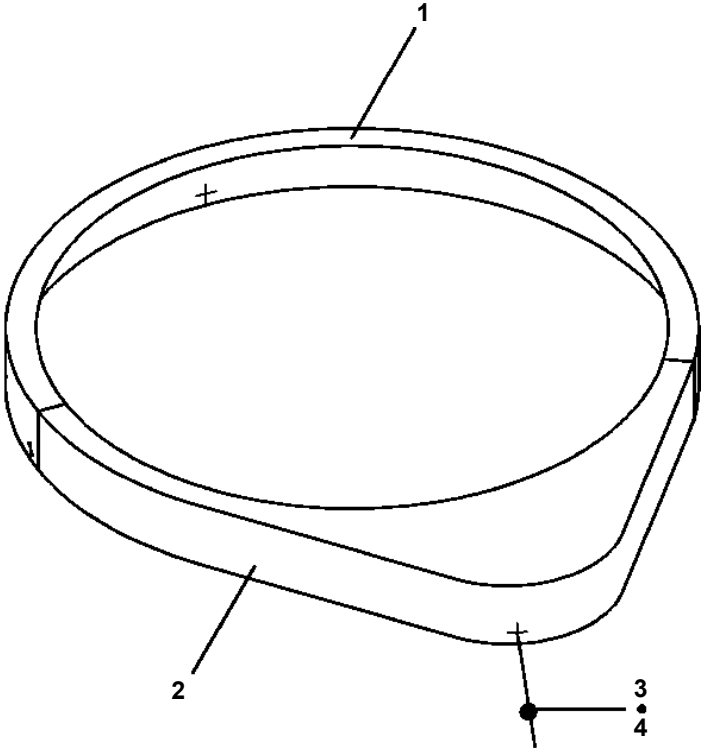
TM-ZR500 31094010010A FRAME/STD,MANUAL
PI1440035-01 METER,LOAD (2.9TON KUSABA/ENG.& JAPANESE)



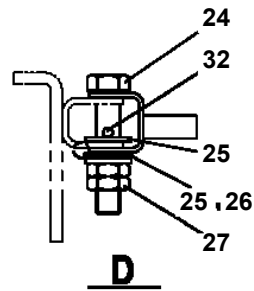
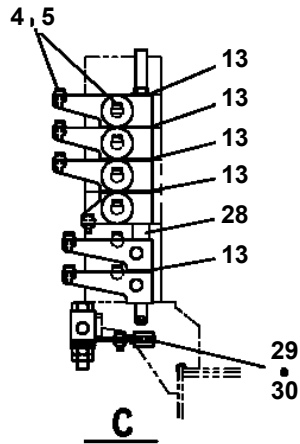
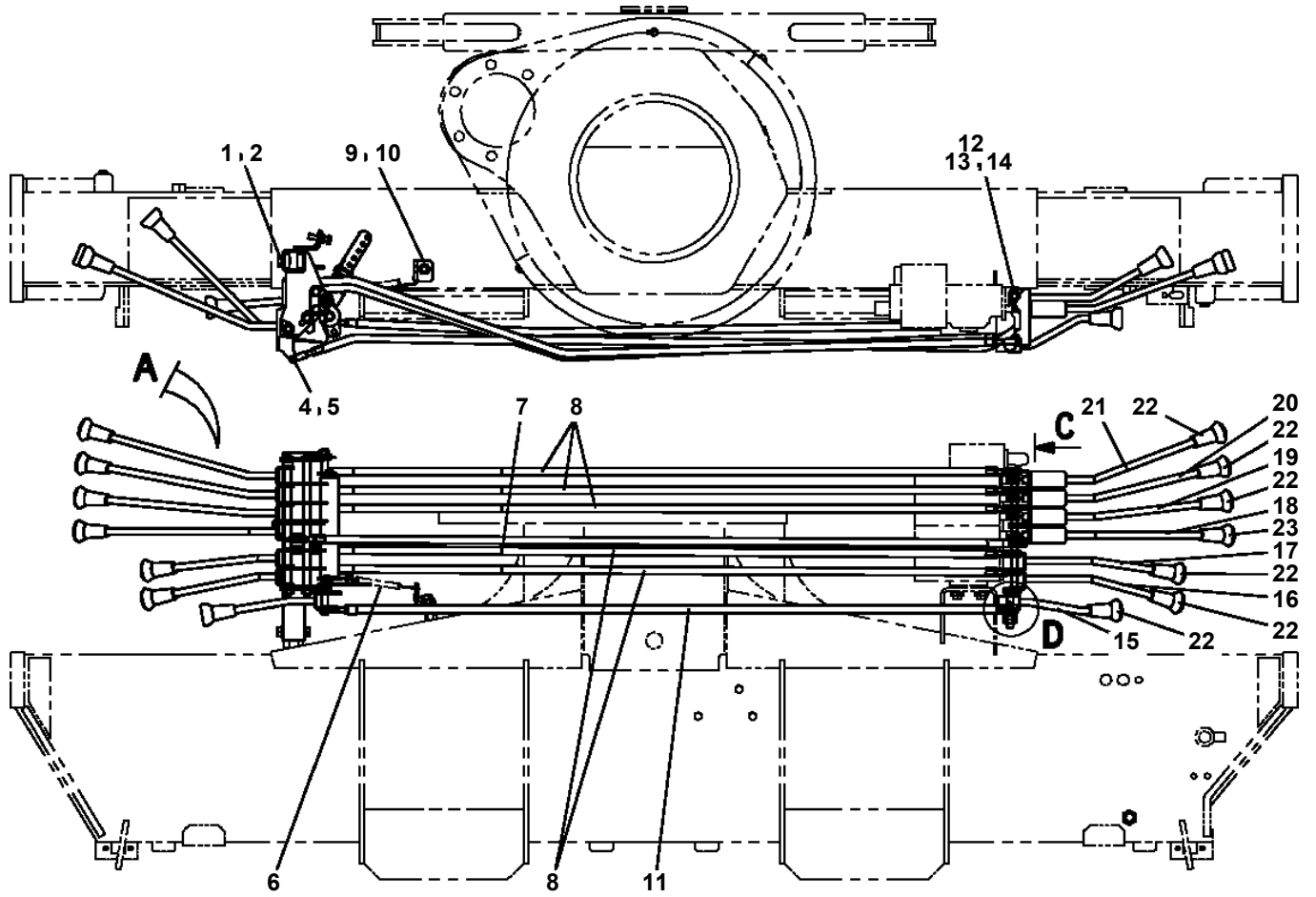
**TM-ZR500 31094010010A FRAME/STD,MANUAL
PJ3410034-02 LOCK ASSY (REAR OUTRIGGER)**



TM-ZR500 31094010010A FRAME/STD,MANUAL
PK1130007-00 COVER,BEARING



TM-ZR500 31094010010A FRAME/STD,MANUAL
 PL1010857-03 OPE.ASSY,CONT.VALVE (CRANE)



展開図有
 ILLUSTRATED BREAKDOWN NO.7,8,11

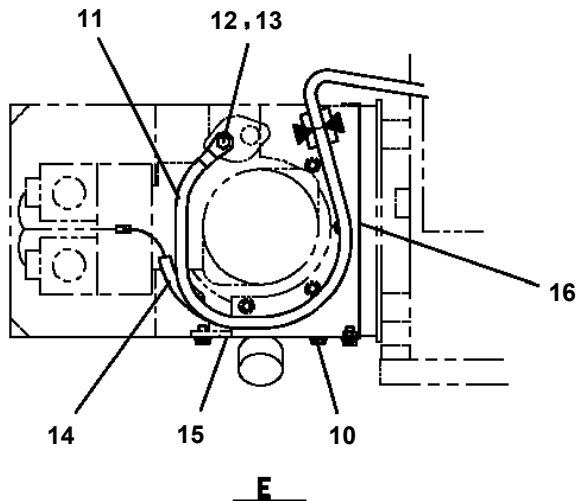
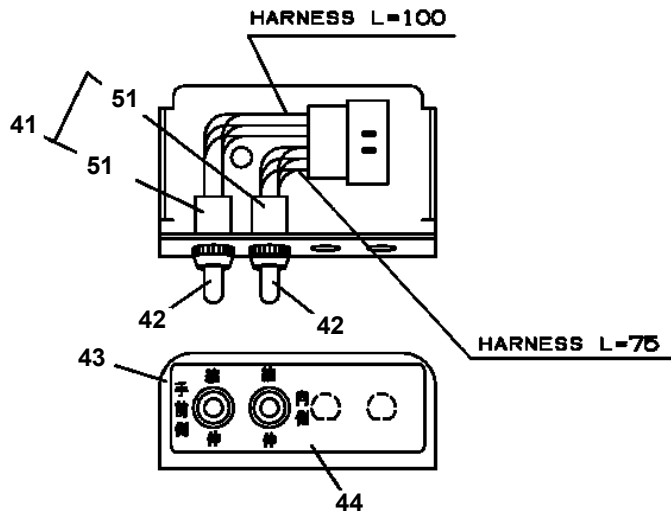
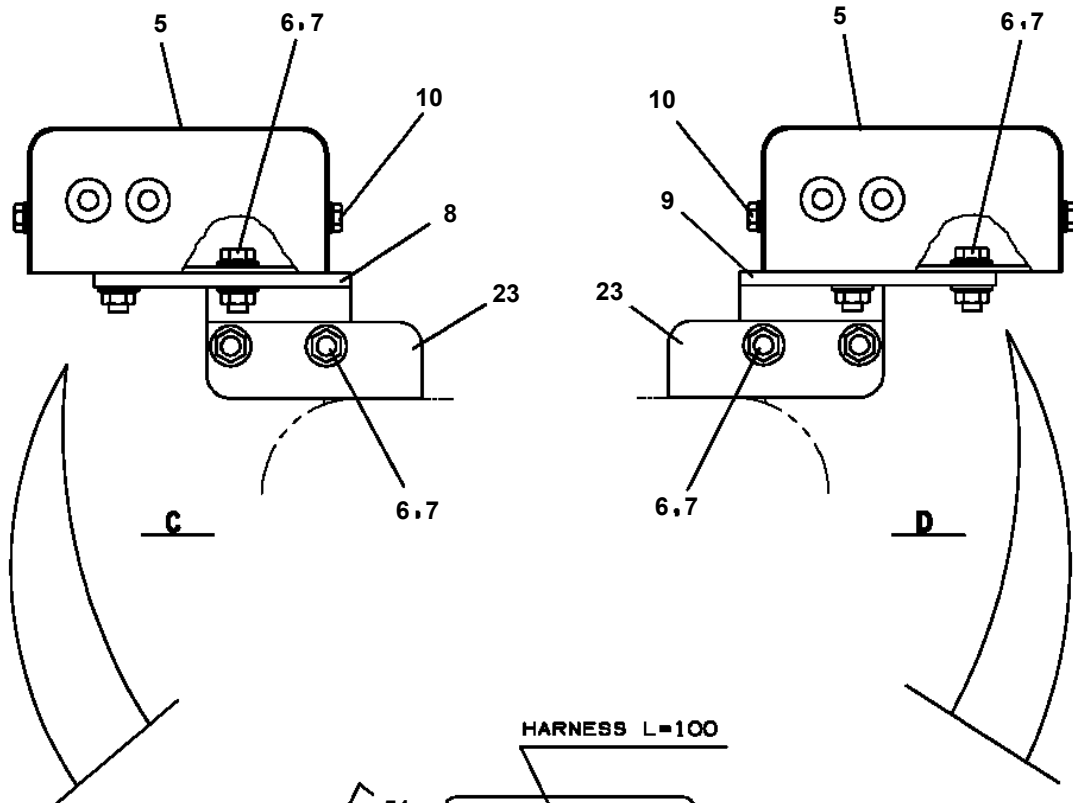
TM-ZR500 31094010010A FRAME/STD,MANUAL

Pos No.	Parts No	Parts Name	Qty	Unit	Technical Data	Serial No (Start)	Serial No (End)	Remarks	Pages
1	31322224200	PLATE	1		L=1				
2	37000119080	PIN ASSY	1						
3	80136340020	PIN,SPLIT	1		4X20				
4	31479371100	LEVER	1						
5	31323330100	KNOB (BLACK)	1						
6	37000105610	PIN	1		L=18				
7	80620210050	PIN,SNAP	1						
21	80136340020	PIN,SPLIT	1		4X20				
22	37000119090	PIN	1						

TM-ZR500 31094010010A FRAME/STD,MANUAL

Pos No.	Parts No	Parts Name	Qty	Unit	Technical Data	Serial No (Start)	Serial No (End)	Remark
1	82100002673	CONNECTOR (0.5-0.85,RED)	1					
2	31476061100	HARNESS	1					
3	91810130240	FASTENER	11					
4	82401601002	CLAMP	8					
5	31476061200	CONVERTER	1					
6	90101208035	BOLT	4		M8X35			
7	90302040801	WASHER,SPRING	4		8			
8	90303070801	WASHER,PLAIN	4		8			
9	90201200800	NUT	4		M8			
10	90201200600	NUT	2		M6			
11	31476751010	CONNECTOR	1					
12	31397132260	PLATE,CAUTION	1					

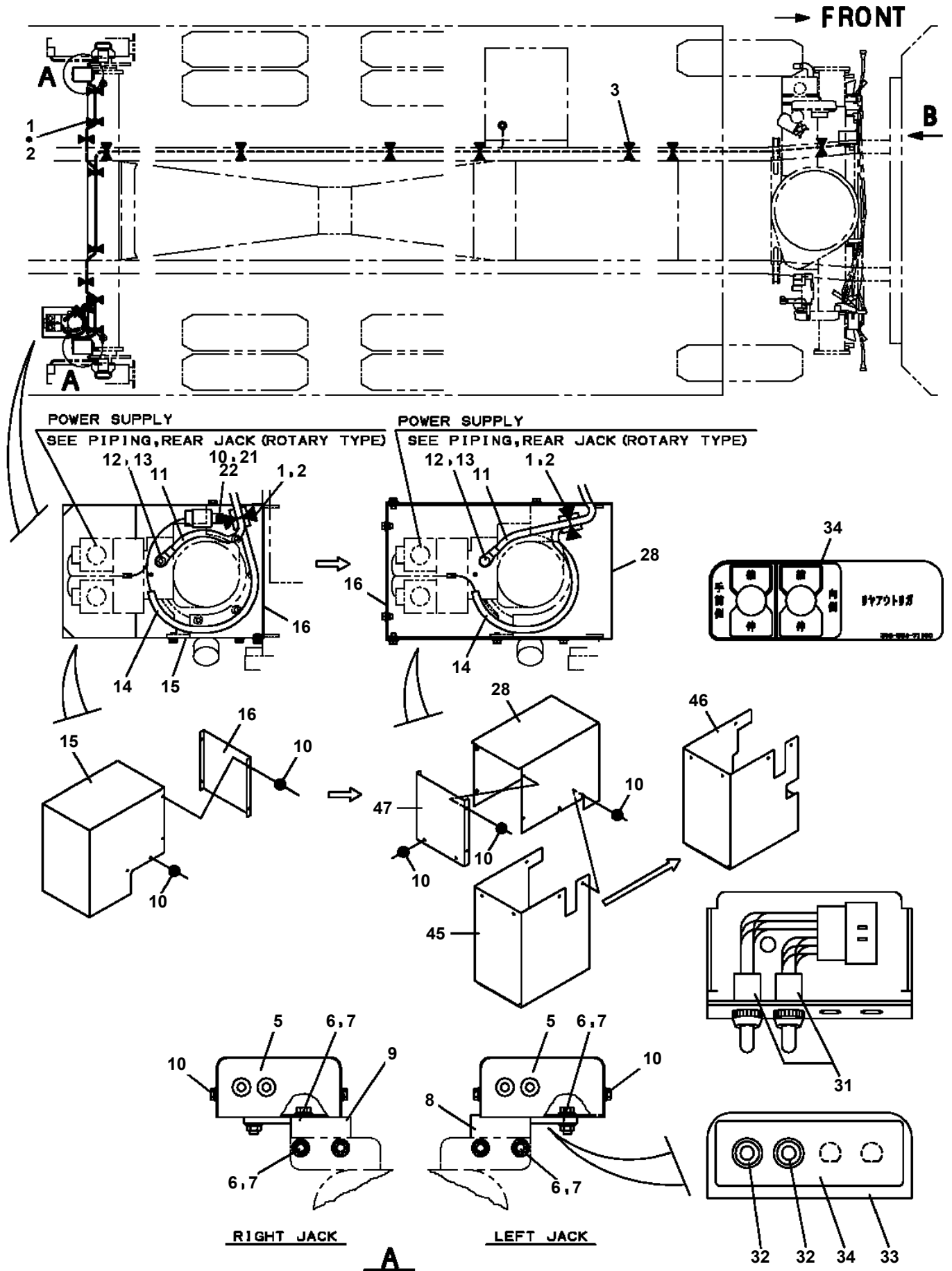
TM-ZR500 31094010010A FRAME/STD,MANUAL
PN1012323-01 ELEC.ASSY (R/O,ROTARY,POWER SUPPLY)



TM-ZR500 31094010010A FRAME/STD,MANUAL

Pos No.	Parts No	Parts Name	Qty	Unit	Technical Data	Serial No (Start)	Serial No (End)	Remark
1	91850310305	CLAMP	8					
2	91810130240	FASTENER	14					
3	31473472100	HARNESS (RED)	1		L=3000		EW7961	
	31501812100	HARNESS	1		L=3000	EW7962		
4	31473460300	HARNESS (RED)	1		L=1600			
5	32200156090	SUPPORT	5					
6	36160670000	REEL,CORD	1				EW7224	
	36161890000	REEL ASSY,CORD	1			EH8711		
	36161770000	REEL ASSY,CORD	1			EW7225	EW7961	
7	31650690200	PLATE	2		T=9			
8	90186206010	BOLT,FLANGE	5		M6X10			
9	82165904030	LAMP	1		24V 45W			
10	90280201000	NUT,FLANGE	1		M10			
11	90813108020	BOLT,WING	1		M8X20			
12	90309331201	WASHER	2		L12		EH8710	
	90309331205	WASHER,CONICAL SPRING	2		L12	EH8711		
13	90303071201	WASHER,PLAIN	1		12			
14	90236201200	NUT,CASTLE	1		2H M12			
15	80136325025	PIN,SPLIT	1		2.5X25			
16	31650690500	LEVER	1					
17	31650690400	SUPPORT	1					
18	90280200600	NUT,FLANGE	1		M6			
19	31477322100	SUPPORT	1					
20	82100000191	TERMINAL	1					
21	82100000183	INSULATOR	1					
31	82100002850	LENS	1					
32	82166025550	BULB,LAMP	1		24V 45W			

**TM-ZR500 31094010010A FRAME/STD,MANUAL
PN1012526-04 ELEC.ASSY (REAR OUTRIGGER,ROTARY)**



TM-ZR500 31094010010A FRAME/STD,MANUAL

Pos No.	Parts No	Parts Name	Qty	Unit	Technical Data	Serial No (Start)	Serial No (End)	Rem
1	31476062200	HARNESS	1					
2	91810130240	FASTENER	8					
3	31479082200	SWITCH ASSY	1					
4	31479082600	PLATE,NAME	1					
5	82197518119	CAP (PLUS ONE MFG./BLACK)	3					
	82197518114	CAP (MATSUSHITA/BLACK)	3					
6	31479082300	SWITCH ASSY	1					
7	31479082400	SUPPORT	1					
8	31479082500	COVER	1					
9	90186206010	BOLT,FLANGE	2		M6X10			
10	31479082100	HARNESS	1					
11	91850310405	CLAMP (BLACK)	2					

CLICK HERE TO **DOWNLOAD** THE COMPLETE MANUAL

- Thank you very much for reading the preview of the manual.
- You can download the complete manual from: www.heydownloads.com by clicking the link below



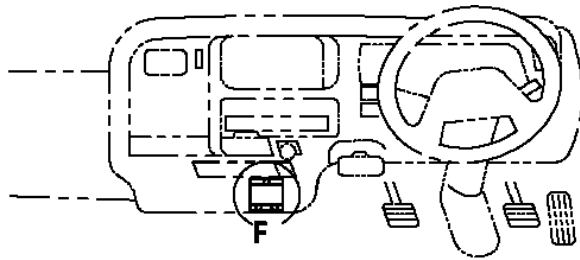
- Please note: If there is no response to CLICKING the link, please download this PDF first and then click on it.

CLICK HERE TO **DOWNLOAD** THE COMPLETE MANUAL

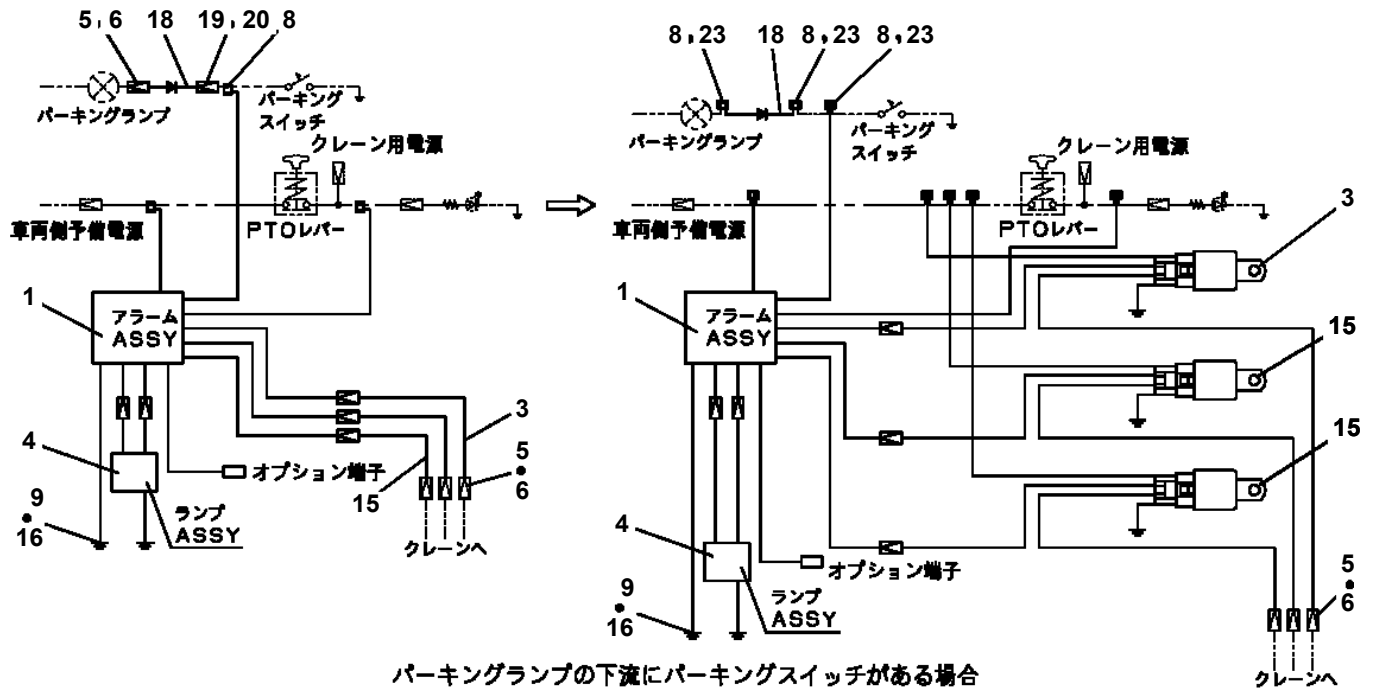
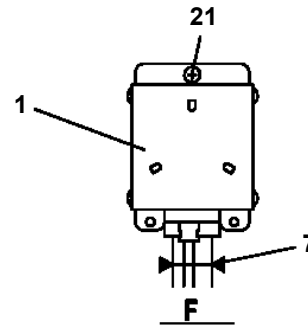
TM-ZR500 31094010010A FRAME/STD,MANUAL

Pos No.	Parts No	Parts Name	Qty	Unit	Technical Data	Serial No (Start)	Serial No (End)	Remarks	Pages
1	31500891100	HARNESS	1						
2	31500891200	HARNESS	1						
3	31500891300	HARNESS	1						
4	31500891400	HARNESS	1						
5	91850310305	CLAMP	2						
6	91810130240	FASTENER	2						

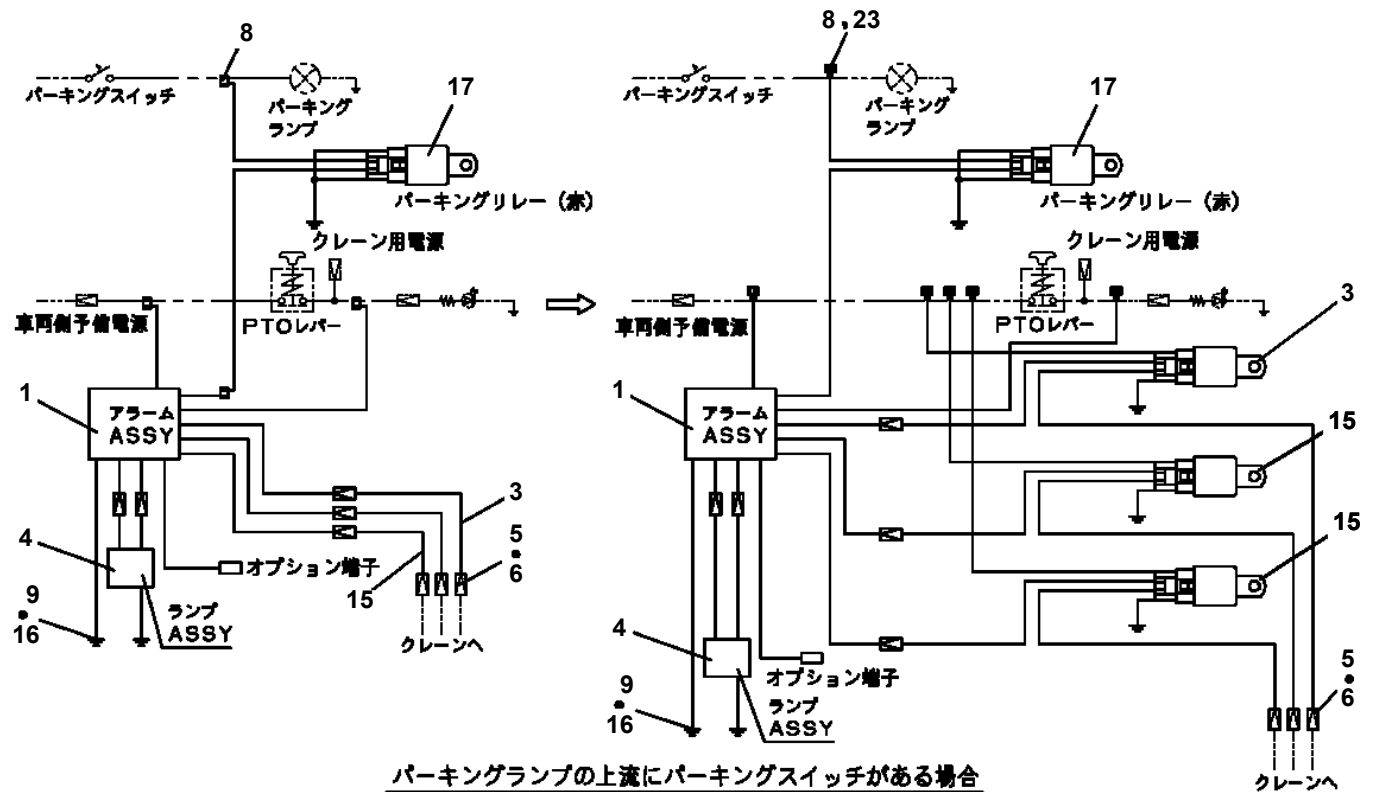
TM-ZR500 31094010010A FRAME/STD,MANUAL
 PN1014341-01 ELEC.ASSY (CARRIER)



アラームASSY取付



パーキングランプの下流にパーキングスイッチがある場合



パーキングランプの上流にパーキングスイッチがある場合

TM-ZR500 31094010010A FRAME/STD,MANUAL

Pos No.	Parts No	Parts Name	Qty	Unit	Technical Data	Serial No (Start)	Serial No (End)
1	91850310405	CLAMP (BLACK)	7				
2	91810130240	FASTENER	20				
3	91810130250	FASTENER	5				
5	31657280200	COVER	2				
6	90186208020	BOLT,FLANGE	8		M8X20		
7	90280200800	NUT,FLANGE	8		M8		
8	31653470100	SUPPORT	1				
9	31653470200	SUPPORT	1				
10	90186206010	BOLT,FLANGE	12		M6X10		
11	31611614300	HARNESS	1		L=10000		
12	82100002503	TERMINAL	1				
13	82100001226	INSULATOR	1				
14	31656330200	HARNESS	1				
15	31611614500	COVER	1				
16	31611614400	COVER	1				
17	82100000192	TERMINAL	1				
18	82100000182	INSULATOR	1				
19	31478092200	HARNESS	1		L=100		
22	82115001005	CONNECTOR	1				
41	31653322200	SWITCH ASSY (WITH HARNESS,2-SW)	2				
42	82199514013	CAP	4				
43	82199504017	NUT	4		AT-401N		
44	31656331100	SUPPORT	2				
	31657282100	SUPPORT	2			EW8173	EW8172
45	31656331200	PLATE,NAME	2				

TM-ZR500 31094010010A FRAME/STD,MANUAL

Pos No.	Parts No	Parts Name	Qty	Unit	Technical Data	Serial No (Start)	Serial No (E
1	(*****)	ELEC.ASSY (AC100V300W LAMP/CARRIER)	1				
2	(*****)	ELEC.ASSY (AC100V300W LAMP/LOWER)	1				
3	(*****)	ELEC.ASSY (AC100V300W LAMP/UPPER)	1				
5	(*****)	PLATE ASSY,NAME (AC100V300W LAMP)	1				

TM-ZR500 31094010010A FRAME/STD,MANUAL

Pos No.	Parts No	Parts Name	Qty	Unit	Technical Data	Serial No (Start)	Serial No (End)	P
1	82105501001	SWITCH,TOGGLE (PLATING)	1					
2	82101940130	SWITCH,PUSH (3PJW106F-021-CC)	1					
10	31653244200	SWITCH ASSY (PLATING:NACC)	1					

TM-ZR500 31094010010A FRAME/STD,MANUAL

Pos No.	Parts No	Parts Name	Qty	Unit	Technical Data	Serial No (Start)	Serial No (End)
1	82105410110	SWITCH,TOGGLE	2				
2	82101429241	SWITCH,PUSH (GREEN)	2				
10	31653224300	SWITCH ASSY (GREEN:PANASONIC)	1				

TM-ZR500 31094010010A FRAME/STD,MANUAL

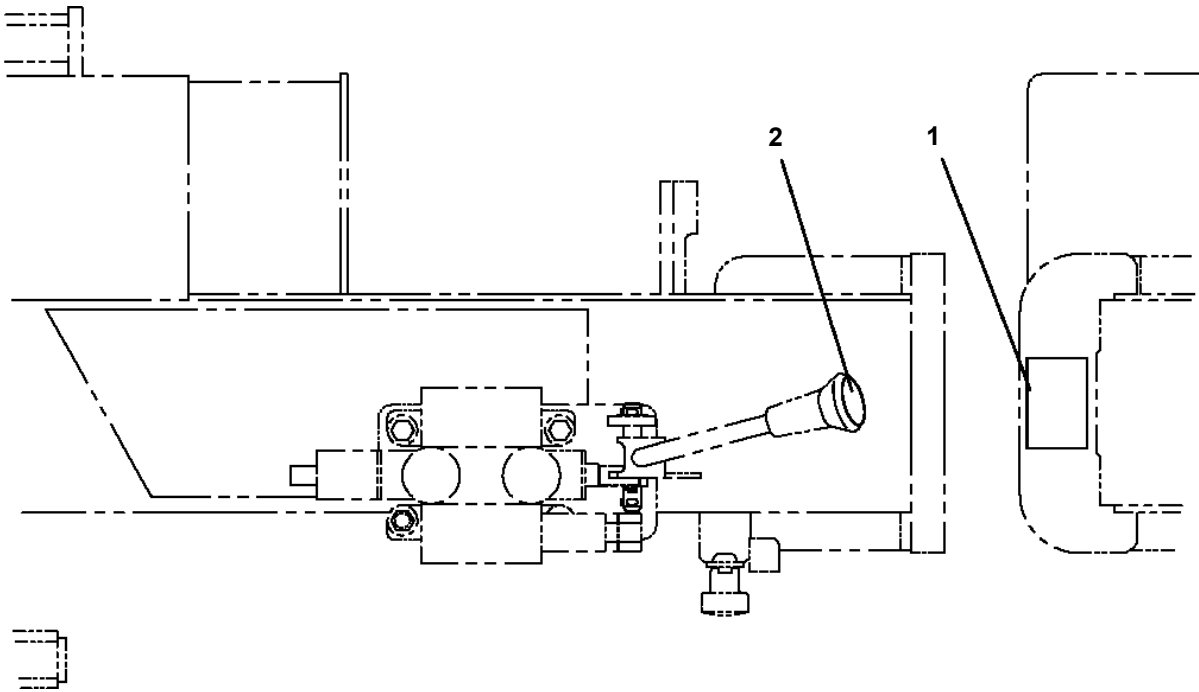
Pos No.	Parts No	Parts Name	Qty	Unit	Technical Data	Serial No (Start)	Serial No (End)	Remarks	Page
1	31476067510	COVER	1						
2	31476067520	PLATE	1						
3	31476067530	COVER (TERMINAL)	1						
4	31476067540	SPRING (LEAF)	1						
5	31476067550	BAR	1						
6	80175804008	SCREW,MACHINE	4		M4X8				
7	31476067560	CABLE ASSY	1						
8	31476067570	BRACKET ASSY	1						
9	80174803006	SCREW,MACHINE	2		M3X6				
50	31476061200	CONVERTER	1						

TM-ZR500 31094010010A FRAME/STD,MANUAL
PO1000173-00 INDICATION PLATES

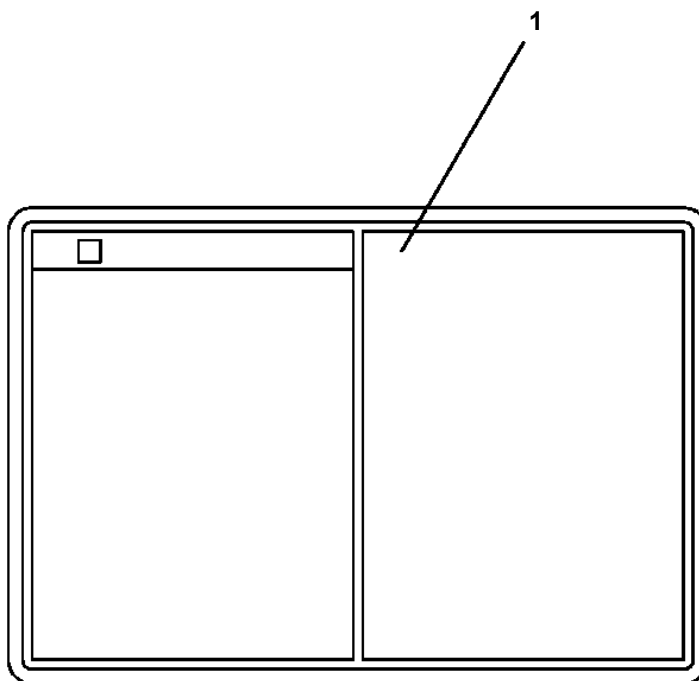
メイバン
INDICATION PLATES

〔組立名称一覧〕より選択してください。
SEE THE CORRESPONDING "ASSEMBLY NAME" LIST.

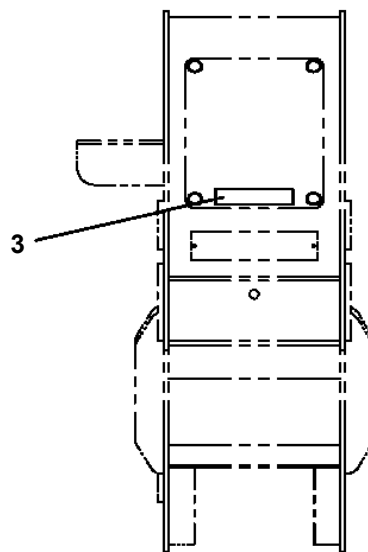
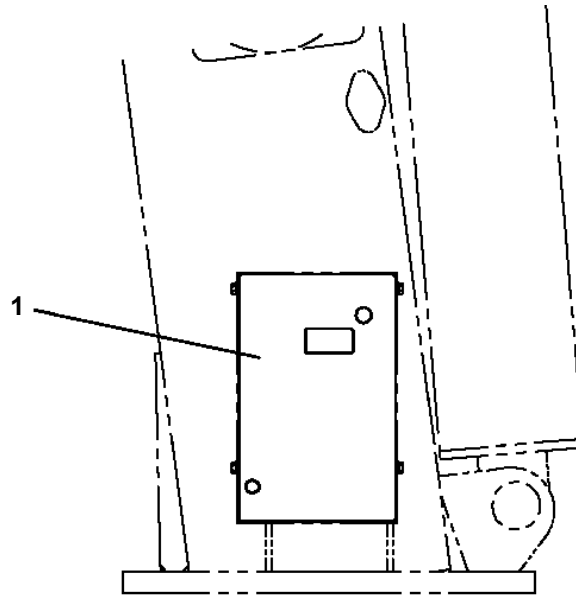
**TM-ZR500 31094010010A FRAME/STD,MANUAL
PO1012662-01 PLATE ASSY,NAME (POWER SUPPLY)**



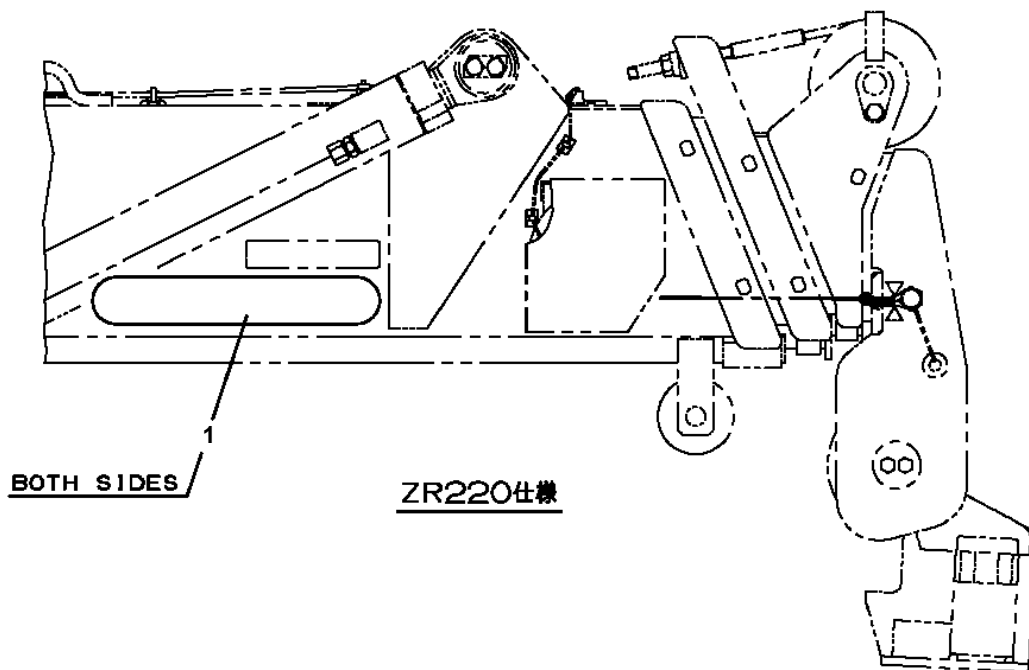
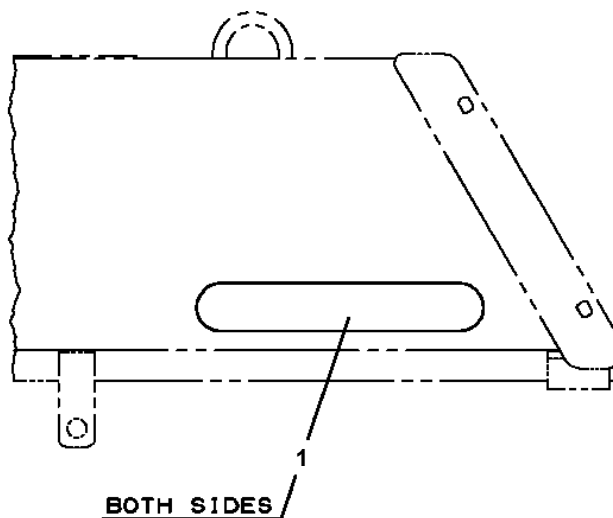
**TM-ZR500 31094010010A FRAME/STD,MANUAL
PO1013042-01 PLATE ASSY,NAME (RADIO CONTROL)**



TM-ZR500 31094010010A FRAME/STD,MANUAL
PO1013604-00 PLATE ASSY,NAME (BML)



TM-ZR500 31094010010A FRAME/STD,MANUAL
PO1014592-03 PLATE ASSY,NAME



1材プレート、ネーム貼付位置は参考です

ブーム段数参考

THE BOOM SECTIONS IN THE ILLUSTRATION ARE FOR REFERENCE.

TM-ZR500 31094010010A FRAME/STD,MANUAL

Pos No.	Parts No	Parts Name	Qty	Unit	Technical Data	Serial No (Start)	Serial No (End)	Remark
1	31730934100	PLATE,NAME (SILENT ECO)	2					

TM-ZR500 31094010010A FRAME/STD,MANUAL

Pos No.	Parts No	Parts Name	Qty	Unit	Technical Data	Serial No (Start)	Serial No (End)
1	31491342100	PLATE,NAME	1				
2	31491342200	PLATE,NAME	1				
3	31491342300	PLATE,NAME	2				
4	31491342400	PLATE,NAME	1				
5	37002222550	PLATE,NAME (ZR503,CARGO CRANE)	2				
6	31392140130	INDICATOR	2				
7	90190000060	BOLT	2		M10X16		

TM-ZR500 31094010010A FRAME/STD,MANUAL

Pos No.	Parts No	Parts Name	Qty	Unit	Technical Data	Serial No (Start)	Serial No (End)
1	31491353100	PLATE,NAME	1				
2	31491353200	PLATE,NAME	1				
3	31491353300	PLATE,NAME	2				
4	31491353400	PLATE,NAME	1				
5	37002222560	PLATE,NAME (ZR504,CARGO CRANE)	2				
6	31392140130	INDICATOR	2				
7	90190000060	BOLT	2		M10X16		

TM-ZR500 31094010010A FRAME/STD,MANUAL

Pos No.	Parts No	Parts Name	Qty	Unit	Technical Data	Serial No (Start)	Serial No (End)
1	31491364101	PLATE,NAME (LOAD INDICATOR)	1				
2	31491364201	PLATE,NAME (LOAD INDACATOR)	1				
3	31491364301	PLATE,NAME (WORKING RANGE)	2				
4	31491364401	PLATE,NAME (RATED LIFTING CAPA)	1				
5	31392140130	INDICATOR	2				
6	90190000060	BOLT	2		M10X16		

TM-ZR500 31094010010A FRAME/STD,MANUAL

Pos No.	Parts No	Parts Name	Qty	Unit	Technical Data	Serial No (Start)	Serial N
1	31491356100	PLATE,NAME (LOAD RADIUS)	1				
2	31491356200	PLATE,NAME (LOAD RADIUS)	1				
3	31491354301	PLATE,NAME (WORKING RANGE)	2				
4	31491354401	PLATE,NAME (RATED LIFTING CAPACITIES)	1				
5	31392140130	INDICATOR	2				
6	90190000060	BOLT	2		M10X16		

TM-ZR500 31094010010A FRAME/STD,MANUAL

Pos No.	Parts No	Parts Name	Qty	Unit	Technical Data	Serial No (Start)	Serial No (End)
1	31491342100	PLATE,NAME	1				
2	31491342200	PLATE,NAME	1				
3	31491347100	PLATE,NAME	2				
4	31491347200	PLATE,NAME	1				
5	37002222550	PLATE,NAME (ZR503,CARGO CRANE)	2				
6	31392140130	INDICATOR	2				
7	90190000060	BOLT	2		M10X16		

TM-ZR500 31094010010A FRAME/STD,MANUAL

Pos No.	Parts No	Parts Name	Qty	Unit	Technical Data	Serial No (Start)	S
1	31496851100	PLATE,NAME (LOAD RADIUS)	1				
2	31496851200	PLATE,NAME (LOAD RADIUS)	1				
3	31496856300	PLATE,NAME(EMPTY CHASSIS RATED CAPACITY)	2				
4	31496853400	PLATE,NAME (RATED LIFTING CAPACITY)	1				
5	31392140130	INDICATOR	2				
6	90190000060	BOLT	2		M10X16		

TM-ZR500 31094010010A FRAME/STD,MANUAL

Pos No.	Parts No	Parts Name	Qty	Unit	Technical Data	Serial No (Start)	S
1	31498082100	PLATE,NAME (LOAD INDICATOR)	1				
2	31498082200	PLATE,NAME (LOAD INDICATOR)	1				
3	31490811300	PLATE,NAME(EMPTY CHASSIS RATED CAPACITY)	2				
4	31392140130	INDICATOR	2				
5	90190000060	BOLT	2		M10X16		

TM-ZR500 31094010010A FRAME/STD,MANUAL

Pos No.	Parts No	Parts Name	Qty	Unit	Technical Data	Serial No (Start)	S
1	31498071100	PLATE,NAME (LOAD INDICATOR)	1				
2	31498071200	PLATE,NAME (LOAD INDICATOR)	1				
3	31490804300	PLATE,NAME(EMPTY CHASSIS RATED CAPACITY)	2				
4	31392140130	INDICATOR	2				
5	90190000060	BOLT	2		M10X16		

TM-ZR500 31094010010A FRAME/STD,MANUAL

Pos No.	Parts No	Parts Name	Qty	Unit	Technical Data	Serial No (Start)	S
1	31491356100	PLATE,NAME (LOAD RADIUS)	1				
2	31491356200	PLATE,NAME (LOAD RADIUS)	1				
3	31490803300	PLATE,NAME(EMPTY CHASSIS RATED CAPACITY)	2				
4	31490801400	PLATE,NAME (RATED LIFTING CAPACITY)	1				
5	31392140130	INDICATOR	2				
6	90190000060	BOLT	2		M10X16		

TM-ZR500 31094010010A FRAME/STD,MANUAL

Pos No.	Parts No	Parts Name	Qty	Unit	Technical Data	Serial No (Start)	S
1	31495701100	PLATE,NAME (LOAD RADIUS)	1				
2	31495701200	PLATE,NAME (LOAD RADIUS)	1				
3	31495703300	PLATE,NAME(EMPTY CHASSIS RATED CAPACITY)	2				
4	31495703400	PLATE,NAME (RATED LIFTING CAPACITY)	1				
5	31392140130	INDICATOR	2				
6	90190000060	BOLT	2		M10X16		

TM-ZR500 31094010010A FRAME/STD,MANUAL

Pos No.	Parts No	Parts Name	Qty	Unit	Technical Data	Serial No (Start)	S
1	31490811300	PLATE,NAME(EMPTY CHASSIS RATED CAPACITY)	1				

TM-ZR500 31094010010A FRAME/STD,MANUAL

Pos No.	Parts No	Parts Name	Qty	Unit	Technical Data	Serial No (Start)	S
1	31496855300	PLATE,NAME(EMPTY CHASSIS RATED CAPACITY)	1				

TM-ZR500 31094010010A FRAME/STD,MANUAL

Pos No.	Parts No	Parts Name	Qty	Unit	Technical Data	Serial No (Start)	Serial No
1	(*****)	OUTRIGGER,REAR (FOR LOW TRUCK BED)	1				
3	(*****)	NAME PLATE ASSY	1				
5	(*****)	OPE.ASSY,CONT.VALVE	1				
11	(*****)	PIPING ASSY (REAR JACK)	1				
12	36637730000	VALVE,MANUAL CONTROL (R/O,2-BLOCK)	1				
13	(*****)	PIPING ASSY (CRANE)	1				

TM-ZR500 31094010010A FRAME/STD,MANUAL

Pos No.	Parts No	Parts Name	Qty	Unit	Technical Data	Serial No (Start)	S
1	31496851100	PLATE,NAME (LOAD RADIUS)	1				
2	31496851200	PLATE,NAME (LOAD RADIUS)	1				
3	31496856300	PLATE,NAME(EMPTY CHASSIS RATED CAPACITY)	2				
5	31392140130	INDICATOR	2				
6	90190000060	BOLT	2		M10X16		
7	37002230000	PLATE,NAME (ZR500)	2				

TM-ZR500 31094010010A FRAME/STD,MANUAL

Pos No.	Parts No	Parts Name	Qty	Unit	Technical Data	Serial No (Start)	S
1	31495701100	PLATE,NAME (LOAD RADIUS)	1				
2	31495701200	PLATE,NAME (LOAD RADIUS)	1				
3	31495706300	PLATE,NAME(EMPTY CHASSIS RATED CAPACITY)	2				
5	31392140130	INDICATOR	2				
6	90190000060	BOLT	2		M10X16		
7	37002230000	PLATE,NAME (ZR500)	2				

TM-ZR500 31094010010A FRAME/STD,MANUAL

Pos No.	Parts No	Parts Name	Qty	Unit	Technical Data	Serial No (Start)	S
1	31498061300	PLATE,NAME(EMPTY CHASSIS RATED CAPACITY)	1				

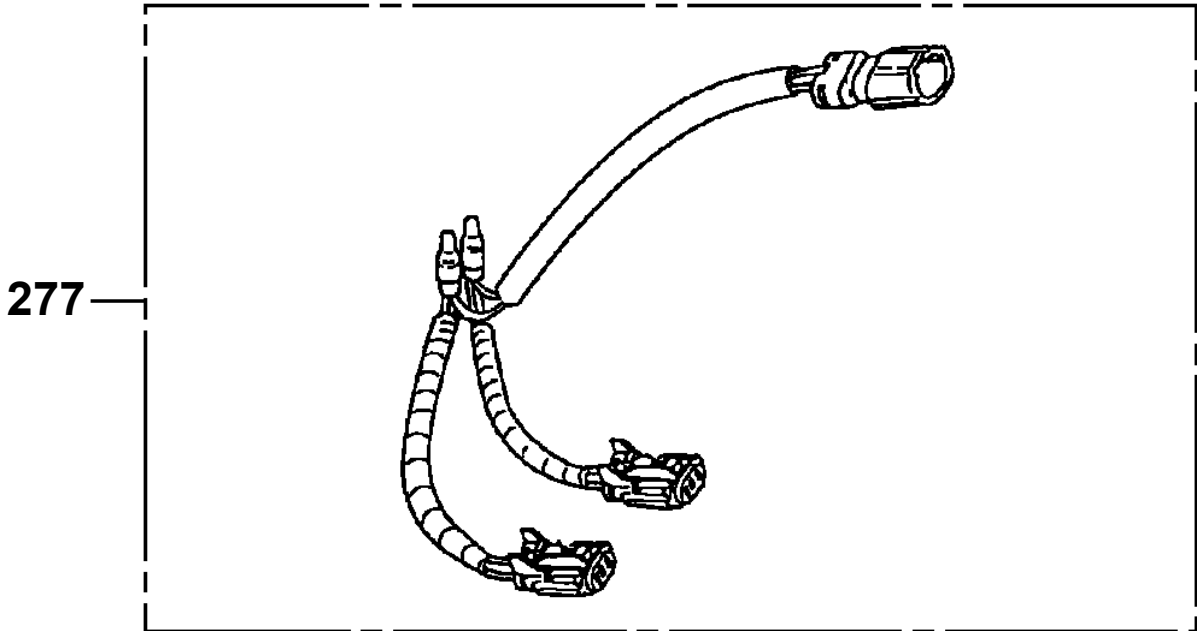
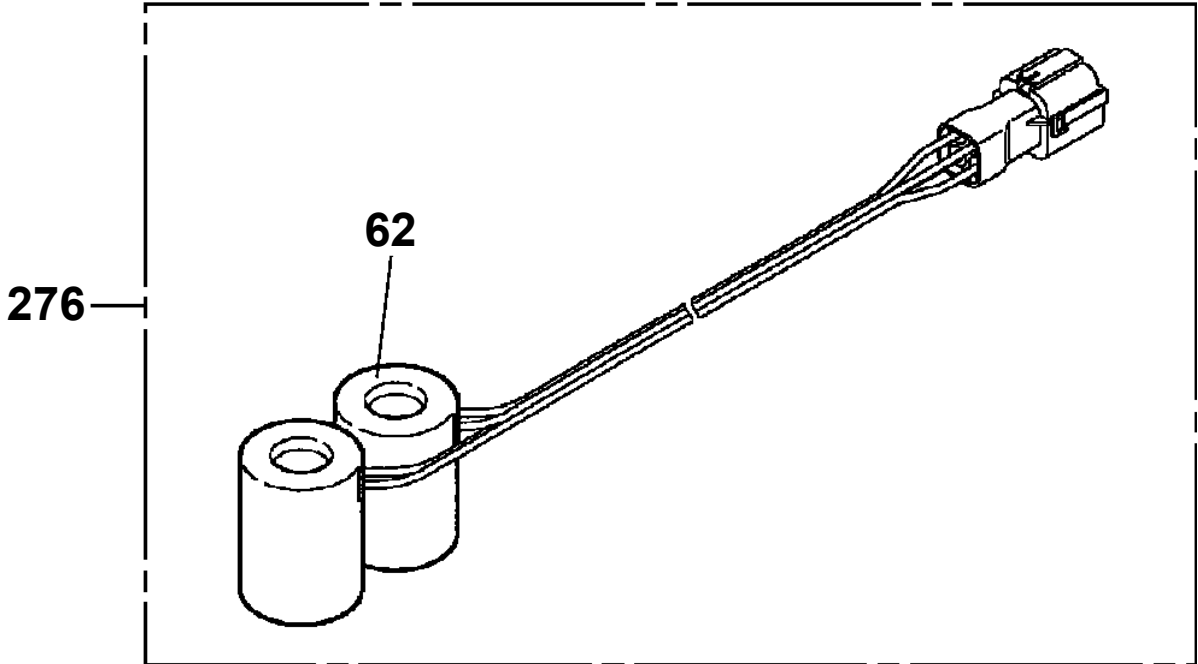
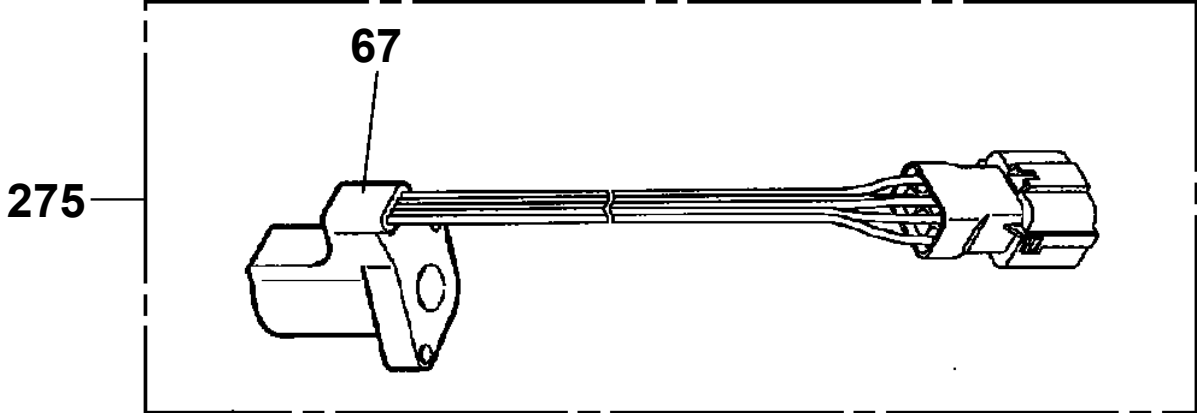
TM-ZR500 31094010010A FRAME/STD,MANUAL

Pos No.	Parts No	Parts Name	Qty	Unit	Technical Data	Serial No (Start)	Serial No
1	(*****)	RADIO CONTROL (KIT)	1				
2	(*****)	OPE.ASSY,CONT.VALVE	1				
3	(*****)	ELEC.ASSY	1				
4	(*****)	PIPING ASSY (REMOTE CONT.VALVE/SANWA)	1				
5	(*****)	PIPING,LOWER (RADICON./REPLACE FILTER)	1				
6	(*****)	NAME PLATE ASSY	1				

TM-ZR500 31094010010A FRAME/STD,MANUAL

Pos No.	Parts No	Parts Name	Qty	Unit	Technical Data	Serial No (Start)	Serial No (End)	R
1	(*****)	ELEC.ASSY (REMOTE CONTROL)	1					
2	36800582001	SWITCH BOX	1					

TM-ZR500 31094010010A FRAME/STD,MANUAL
PV1020261-01 VALVE,REMOTE CONTROL (MAIN/NACHI)



TM-ZR500 31094010010A FRAME/STD,MANUAL

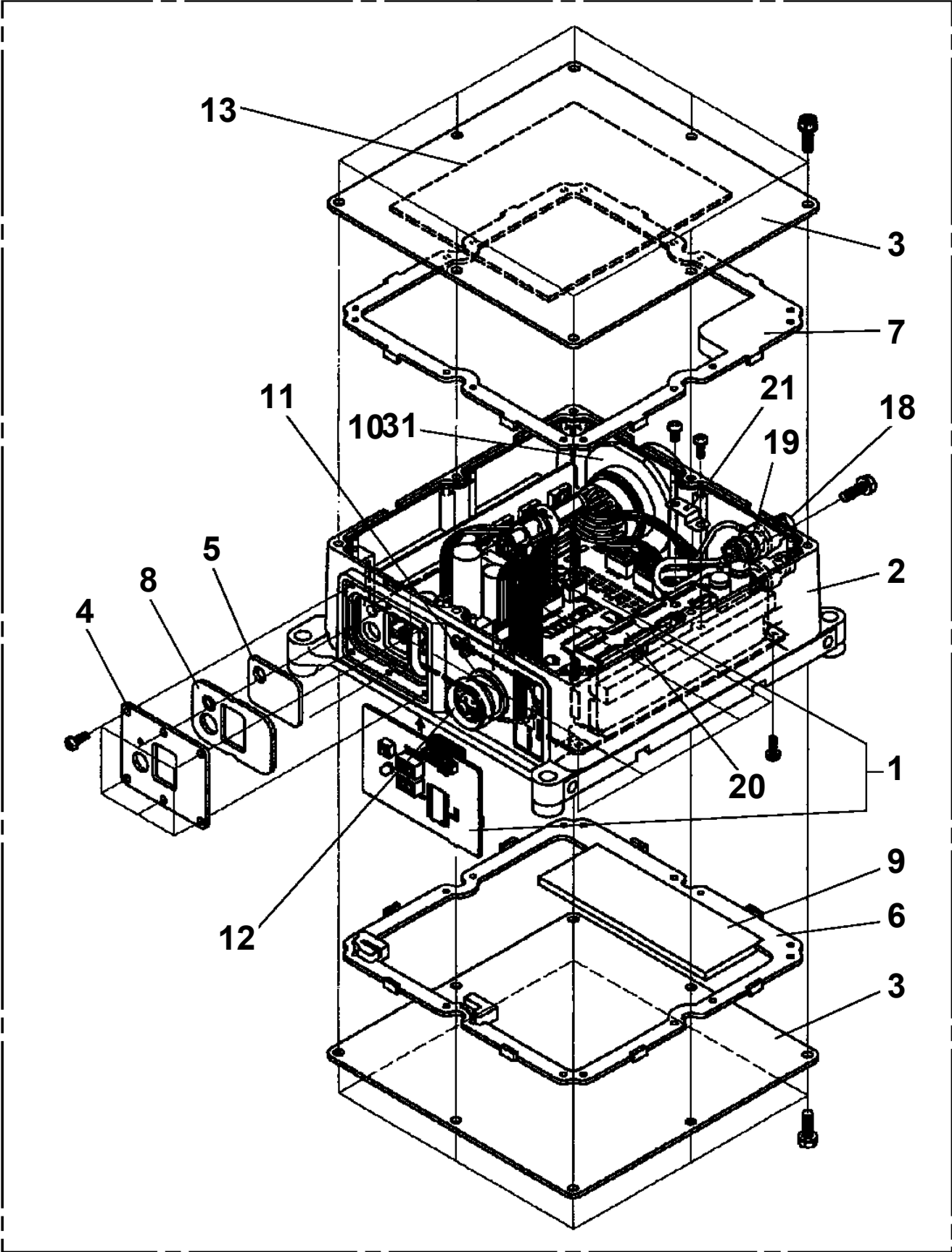
Pos No.	Parts No	Parts Name	Qty	Unit	Technical Data	Serial No (Start)	Serial No (End)	F
231	90131903008	BOLT,HEXAGON SOCKET	2		M3X8			
232	36645405040	ROD,PUSH	1					
233	36645495250	SOLENOID ASSY	1					
234	36645495260	RING,BACKUP	1					
243	36603185150	TUBE	1					
246	91002800400	O-RING	1		1B P4			
251	36645405180	SEAT,VALVE (WITH STEEL BALL)	1					
300	36740470001	VALVE,REMOTE CONTROL	1					

TM-ZR500 31094010010A FRAME/STD,MANUAL

Pos No.	Parts No	Parts Name	Qty	Unit	Technical Data	Serial No (Start)	Serial No (End)	Re
1	36800585011	CASE KIT (UPPER)	1					
2	36800585021	CASE KIT (LOWER)	1					
4	36800585031	PACKING	1					
5	36800585041	CABLE ASSY	1		10M			
21	36800095061	RING (CASE)	1					
32	36800565081	CASE ASSY (LEVER)	1					
42	36800295111	GUARD (HAND)	1					
46	36800585071	CAP (CONNECTOR,WITH CHAIN)	1					
100	36800582001	SWITCH BOX	1					

TM-ZR500 31094010010A FRAME/STD,MANUAL
PV1040067-01 CONTROL BOX (RADICON,E-TYPE)

50



TM-ZR500 31094010010A FRAME/STD,MANUAL

Pos No.	Parts No	Parts Name	Qty	Unit	Technical Data	Serial No (Start)	Serial
2	36800541000	STOWING BOX (BAG,RADIO CONTROL)	1				
3	36802950100	PLATE ASSY.NAME (FOR RADIO CONTROL)	1				
4	36802951000	CHARGER,BATTERY	1				
5	(*****)	ELEC.ASSY (BML)	1				
11	36803411000	CONTROL BOX (RADICON,E-TYPE)	1				
	36803401000	CONTROL BOX (REMOCON.RADICON,D-TYPE)	1				
12	36801992000	SWITCH BOX (RADIO CONTROL,TYPE-D)	1				
	36802012000	SWITCH BOX (RADIO CONTROL,TYPE-E)	1				

TM-ZR500 31094010010A FRAME/STD,MANUAL

Pos No.	Parts No	Parts Name	Qty	Unit	Technical Data	Serial No (Start)	Serial No (End)	Remarks
1	36804911000	CONTROL UNIT	1				EW5181	
	36804911001	CONTROL UNIT	1			EW5182		
2	36806052000	ANTENNA UNIT (ASSY ONLY)	1					
3	36806053000	SWITCH BOX	1					
4	(*****)	ELEC.ASSY (ANTENNA)	1					
5	36804914000	BOX,STOWING	1					

TM-ZR500 31094010010A FRAME/STD,MANUAL

Pos No.	Parts No	Parts Name	Qty	Unit	Technical Data	Serial No (Start)	Serial No (End)
1	(*****)	ELEC.ASSY (UPPER)	1				
3	(*****)	PLATE ASSY,NAME (UPPER)	1				
4	(*****)	DETECTOR,BOOM LENGTH (MOUNT)	1				
6	36194670000	MOMENT LIMITER (BML)	1				
8	(*****)	ELEC.ASSY (HARNESS FOR STANDBY POWER)	1				
11	36637660000	VALVE,MANUAL CONTROL (NABCO)	1				
21	(*****)	ELEC.ASSY (LOWER)	1				
22	(*****)	PLATE ASSY,NAME (LOWER)	1				
32	(*****)	MOUNT (BOOM)	1				

TM-ZR500 31094010010A FRAME/STD,MANUAL

Pos No.	Parts No	Parts Name	Qty	Unit	Technical Data	Serial No (Start)	Serial No
1	36800335010	ELEMENT,ANTENNA (FLEXIBLE,TYPE A,B)	2				
3	36800615010	ARM (28X300)	1				
4	36800145010	CABLE	1		10M		EW3688
	36800145011	CABLE	1		10M	EW3689	
7	36800145020	WASHER	1				
8	36800145030	NUT	1				
10	36800610000	ANTENNA (FOR RADIO CONTROL)	1				

TM-ZR500 31094010010A FRAME/STD,MANUAL

Pos No.	Parts No	Parts Name	Qty	Unit	Technical Data	Serial No (Start)	S
1	(*****)	MOUNT,ANTENNA (FREQUENCY A.B)	1				
	(*****)	MOUNT,ANTENNA (RADIO CONTROL,D.E-TYPE)	1				
2	(*****)	MOUNT,ANTENNA (RADIO CONTROL,D.E-TYPE)	1				
	(*****)	MOUNT,ANTENNA (RADIO CONTROL,C-TYPE)	1				
3	(*****)	MOUNT,ANTENNA (RADIO CONTROL,TYPE-A)	1				
	(*****)	MOUNT,ANTENNA (RADIO CONTROL,D.E-TYPE)	1				
4	(*****)	MOUNT,ANTENNA (FREQUENCY A.B)	1				
	(*****)	MOUNT,ANTENNA (FREQUENCY D.E)	1				
5	(*****)	MOUNT,ANTENNA (FREQUENCY A.B)	1				
	(*****)	MOUNT,ANTENNA (RADIO CONTROL,D.E-TYPE)	1				
6	(*****)	MOUNT,ANTENNA (FREQUENCY A.B)	1				
	(*****)	MOUNT,ANTENNA (FREQUENCY D.E)	1				
7	(*****)	MOUNT,ANTENNA (RADIO CONTROL,D.E-TYPE)	1				
	(*****)	MOUNT,ANTENNA (FREQUENCY A.B)	1				
8	(*****)	MOUNT,ANTENNA (RADIO CONTROL,D.E-TYPE)	1				
	(*****)	MOUNT,ANTENNA	1				
9	(*****)	MOUNT,ANTENNA(FREQUENCY A.B/MOUNT,GUARD)	1				
	(*****)	MOUNT,ANTENNA (RADIO CONTROL,D.E-TYPE)	1				
	(*****)	MOUNT,ANTENNA(FREQUENCY D.E/MOUNT,GUARD)	1				
	(*****)	MOUNT,ANTENNA (FOR RADIO CONTROL)	1				
10	(*****)	MOUNT,ANTENNA (RADIO CONTROL,D.E-TYPE)	1				
	(*****)	MOUNT,ANTENNA (FREQUENCY D.E)	1				
11	(*****)	MOUNT,ANTENNA (FREQUENCY A.B)	1				
	(*****)	MOUNT,ANTENNA (FREQUENCY D.E)	1				
12	(*****)	MOUNT,ANTENNA (FREQUENCY A.B)	1				
	(*****)	MOUNT,ANTENNA (FREQUENCY D.E)	1				
13	(*****)	MOUNT,ANTENNA (FREQUENCY D.E)	1				
	(*****)	MOUNT,ANTENNA (FREQUENCY D.E)	1				
14	(*****)	MOUNT,ANTENNA (RADIO CONTROL)	1				
	(*****)	MOUNT,ANTENNA (RADIO CONTROL,D.E-TYPE)	1				
	(*****)	MOUNT,ANTENNA(FREQUENCY A.B/MOUNT,GUARD)	1				
	(*****)	MOUNT,ANTENNA(FREQUENCY D.E/MOUNT,GUARD)	1				
15	(*****)	MOUNT,ANTENNA(FREQUENCY A.B/MOUNT,GUARD)	1				
	(*****)	MOUNT,ANTENNA(FREQUENCY D.E/MOUNT,GUARD)	1				
16	(*****)	MOUNT,ANTENNA(FREQUENCY A.B/MOUNT,GUARD)	1				
	(*****)	MOUNT,ANTENNA(FREQUENCY D.E/MOUNT,GUARD)	1				

TM-ZR500 31094010010A FRAME/STD,MANUAL

Pos No.	Parts No	Parts Name	Qty	Unit	Technical Data	Serial No (Start)	Serial No (End)	F
1	31651781000	SUPPORT	2					
2	31652452000	ANTENNA (SET)	1					
3	91810130240	FASTENER	10					
4	82100002034	CLAMP	10		WEC6			
5	90191208020	BOLT	5		M8X20			
6	90264200800	NUT	5		M8			
7	90302040801	WASHER,SPRING	5		8			
8	82401600506	CLAMP	5		D6.5			
9	82401600510	CLAMP	5		10			
21	36801460000	ANTENNA (FOR RADIO CONTROL)	2					

TM-ZR500 31094010010A FRAME/STD,MANUAL

Pos No.	Parts No	Parts Name	Qty	Unit	Technical Data	Serial No (Start)	Serial No (End)	F
1	31930530101	SUPPORT	1					
2	31930530201	SUPPORT	1					
3	31652962000	ANTENNA (SET)	1					
4	91810130240	FASTENER	10					
5	82100002034	CLAMP	10		WEC6			
6	90191208020	BOLT	5		M8X20			
7	90264200800	NUT	5		M8			
8	90302040801	WASHER,SPRING	5		8			
9	82401600506	CLAMP	5		D6.5			
10	82401600510	CLAMP	5		10			
11	90190210025	BOLT	4		M10X25			
12	90302511001	WASHER,SPRING	4		10			
13	31930740300	PACKING	4					
14	31930530300	PACKING	4					
31	36801460000	ANTENNA (FOR RADIO CONTROL)	1					
32	36802100000	ANTENNA	1					

TM-ZR500 31094010010A FRAME/STD,MANUAL

Pos No.	Parts No	Parts Name	Qty	Unit	Technical Data	Serial No (Start)	Serial No (End)	Remarks	Pages
1	90186208016	BOLT,FLANGE	4		M8X16				
2	31653230100	SUPPORT	1						
3	90280200600	NUT,FLANGE	4		M6				
4	90101206060	BOLT	4		M6X60				
5	90303070601	WASHER,PLAIN	4		6				
6	31653230200	CABLE ASSY	1		L=800				
7	91850310405	CLAMP (BLACK)	1						
8	91810130240	FASTENER	3						
9	31655350900	SUPPORT	1						
10	90201200800	NUT	2		M8				
11	90302040801	WASHER,SPRING	2		8				
31	82100002385	CONNECTOR	2						

TM-ZR500 31094010010A FRAME/STD,MANUAL

Pos No.	Parts No	Parts Name	Qty	Unit	Technical Data	Serial No (Start)	Serial No (End)	F
1	31930530101	SUPPORT	1					
2	31930530201	SUPPORT	1					
3	31651782000	ANTENNA (SET)	1					
4	91810130240	FASTENER	10					
5	82100002034	CLAMP	10		WEC6			
6	90191208020	BOLT	5		M8X20			
7	90264200800	NUT	5		M8			
8	90302040801	WASHER,SPRING	5		8			
9	82401600506	CLAMP	5		D6.5			
10	82401600510	CLAMP	5		10			
12	90302511001	WASHER,SPRING	4		10			
13	31930740300	PACKING	4					
14	31930530300	PACKING	4					
21	36800610000	ANTENNA (FOR RADIO CONTROL)	1					
22	36800620000	ANTENNA (FOR RADIO CONTROL)	1					

TM-ZR500 31094010010A FRAME/STD,MANUAL

Pos No.	Parts No	Parts Name	Qty	Unit	Technical Data	Serial No (Start)	Serial No (End)	F
1	31652962000	ANTENNA (SET)	1					
2	31930460100	SUPPORT	2					
3	90101208020	BOLT	4		M8X20			
4	90201200800	NUT	4		M8			
5	90302040801	WASHER,SPRING	4		8			
6	82401600506	CLAMP	10		D6.5			
7	82401600510	CLAMP	8		10			
8	31930180100	SUPPORT	1					
9	80142838032	SCREW,WOOD	2					
10	91810130240	FASTENER	4					
11	82100002006	CLAMP	1		WR10			
12	90918160160	SCREW,TAPPING	1					
13	90918135160	SCREW,TAPPING	8					
21	36801460000	ANTENNA (FOR RADIO CONTROL)	1					
22	36802100000	ANTENNA	1					

TM-ZR500 31094010010A FRAME/STD,MANUAL

Pos No.	Parts No	Parts Name	Qty	Unit	Technical Data	Serial No (Start)	Serial No (End)	F
1	31930180100	SUPPORT	1					
2	80142838032	SCREW,WOOD	2					
3	91810130240	FASTENER	4					
4	82401600510	CLAMP	1		10			
5	31651792000	ANTENNA (SET)	1					
6	90101208020	BOLT	4		M8X20			
7	90201200800	NUT	4		M8			
8	90302040801	WASHER,SPRING	4		8			
9	31930460100	SUPPORT	2					
10	82401600506	CLAMP	13		D6.5			
21	36800620000	ANTENNA (FOR RADIO CONTROL)	2					

TM-ZR500 31094010010A FRAME/STD,MANUAL

Pos No.	Parts No	Parts Name	Qty	Unit	Technical Data	Serial No (Start)	Serial No (End)	Remarks	Pages
1	90190000008	BOLT,STUD	2		M6X20				
2	31360202500	SUPPORT	2						
3	31360742500	SUPPORT	1						
4	31360192900	SUPPORT	1		L=55				
5	37001601290	NUT	1		M12				
6	31360742700	NUT	1		M12				
7	31360003020	SUPPORT	1		L=63				
8	37001601010	NUT	3						
9	90288106030	NUT	3		M6X30				

TM-ZR500 31094010010A FRAME/STD,MANUAL

Pos No.	Parts No	Parts Name	Qty	Unit	Technical Data	Serial No
1	(***** *****)	PERFORMANCE DATA (ZR503,B/3.13T) PLATE,NAME (B,ZR503/3130KG)	1 1			EW4970
2	(***** *****)	PERFORMANCE DATA (ZR503,D/3.13T) PLATE,NAME (D,ZR503/3130KG)	1 1			EW4970
3	(***** *****)	PERFORMANCE DATA (ZR504,B/3.13T) PLATE,NAME (B,ZR504/3130KG)	1 1			EW4970
4	(***** *****)	PERFORMANCE DATA (ZR504,D/3.13T) PLATE,NAME (D,ZR504/3130KG)	1 1			EW4970
5	(***** *****)	PERFORMANCE DATA (ZR505,B/3.13T) PLATE,NAME (B,ZR505/3130KG)	1 1			EW4970
6	(***** *****)	PERFORMANCE DATA (ZR505,D/3.13T) PLATE,NAME (D,ZR505/3130KG)	1 1			EW4970
7	(***** *****)	PERFORMANCE DATA (ZR506,B/3.13T) PLATE,NAME (B,ZR506/3130KG)	1 1			EW4970
8	(***** *****)	PERFORMANCE DATA (ZR506,D/3.13T) PLATE,NAME (D,ZR506/3130KG)	1 1			EW4970
9	(***** *****)	OUTRIGGER,REAR (POWER PACKAGE,ROTARY/HIGHT TRUCK) OUTRIGGER,REAR (POWER PACKAGE,ROTARY/LOW TRUCK)	1 1			
10	(***** *****)	COOLER,OIL	1			
11	(***** *****)	REMOTE CONTROL (KIT:RCS-FC1/EMERGENCY SW)	1			
12	(***** *****)	LAMP (ALARM:F-RADIO CONTROL/EXPORT)	1			

TM-ZR500 31094010010A FRAME/STD,MANUAL

Pos No.	Parts No	Parts Name	Qty	Unit	Technical Data	Serial No (Start)	Serial No (End)	Remarks	Pages
1	91803600400	CLIP	2		D=27-40				
2	36690250000	COOLER,OIL	1						000461
3	91002802900	O-RING	2		1B P29				
4	91002803800	O-RING	2		1B P38				
5	31730362100	JOINT	1						
6	36620400000	VALVE,CHECK	1						000173
7	31730362200	JOINT	1						
8	80330003200	JOINT	1						
9	31730362300	JOINT	1						

CLICK HERE TO **DOWNLOAD** THE COMPLETE MANUAL

- Thank you very much for reading the preview of the manual.
- You can download the complete manual from: www.heydownloads.com by clicking the link below



- Please note: If there is no response to CLICKING the link, please download this PDF first and then click on it.

CLICK HERE TO **DOWNLOAD** THE COMPLETE MANUAL