

TM-ZR500 31094020820 BOOM/3 SECT.,HOOK-IN

PB000053-01 SYSTEM (ZR500,DOMESTIC)

PB000055-01 SYSTEM (ZR550,DOMESTIC)

PB000106-01 SYSTEM (ZR500,AUSTRALIA)

ASSEMBLY

CLICK HERE TO **DOWNLOAD** THE COMPLETE MANUAL

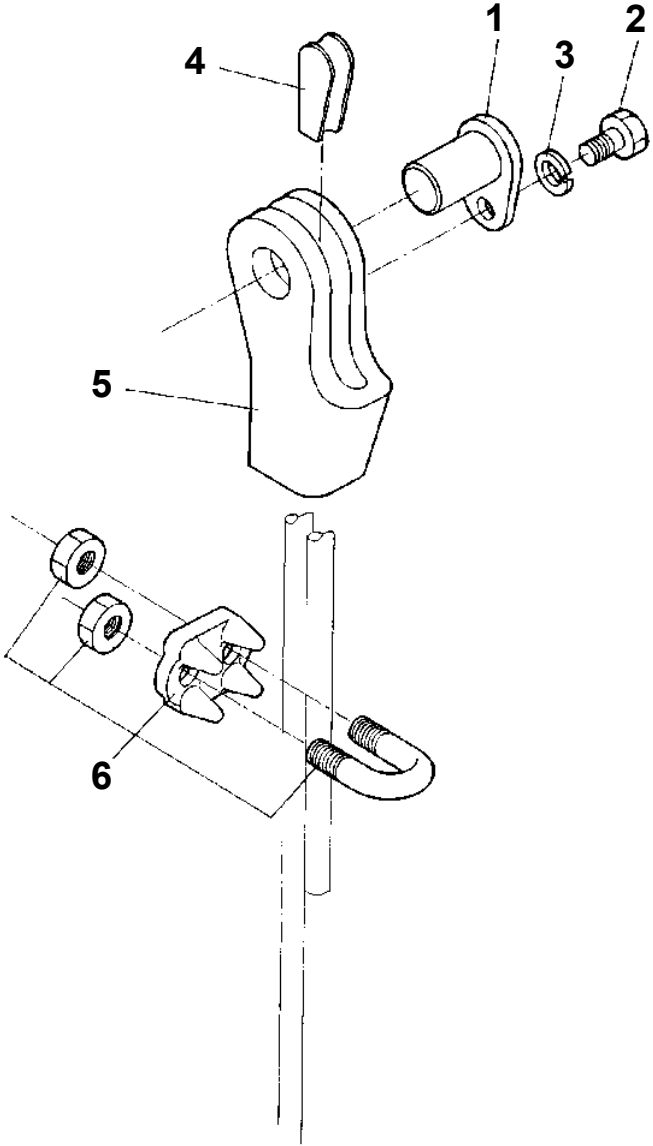
- Thank you very much for reading the preview of the manual.
- You can download the complete manual from: www.heydownloads.com by clicking the link below



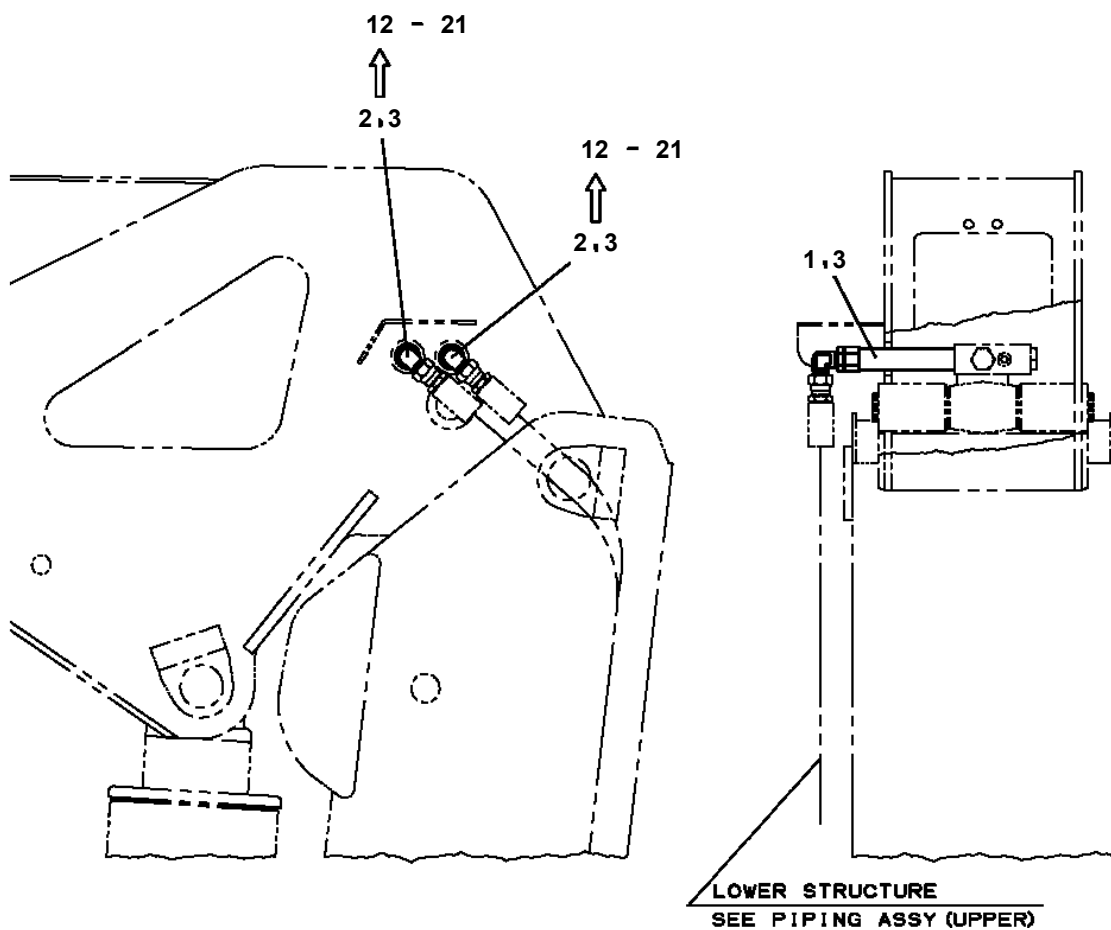
- Please note: If there is no response to CLICKING the link, please download this PDF first and then click on it.

CLICK HERE TO **DOWNLOAD** THE COMPLETE MANUAL

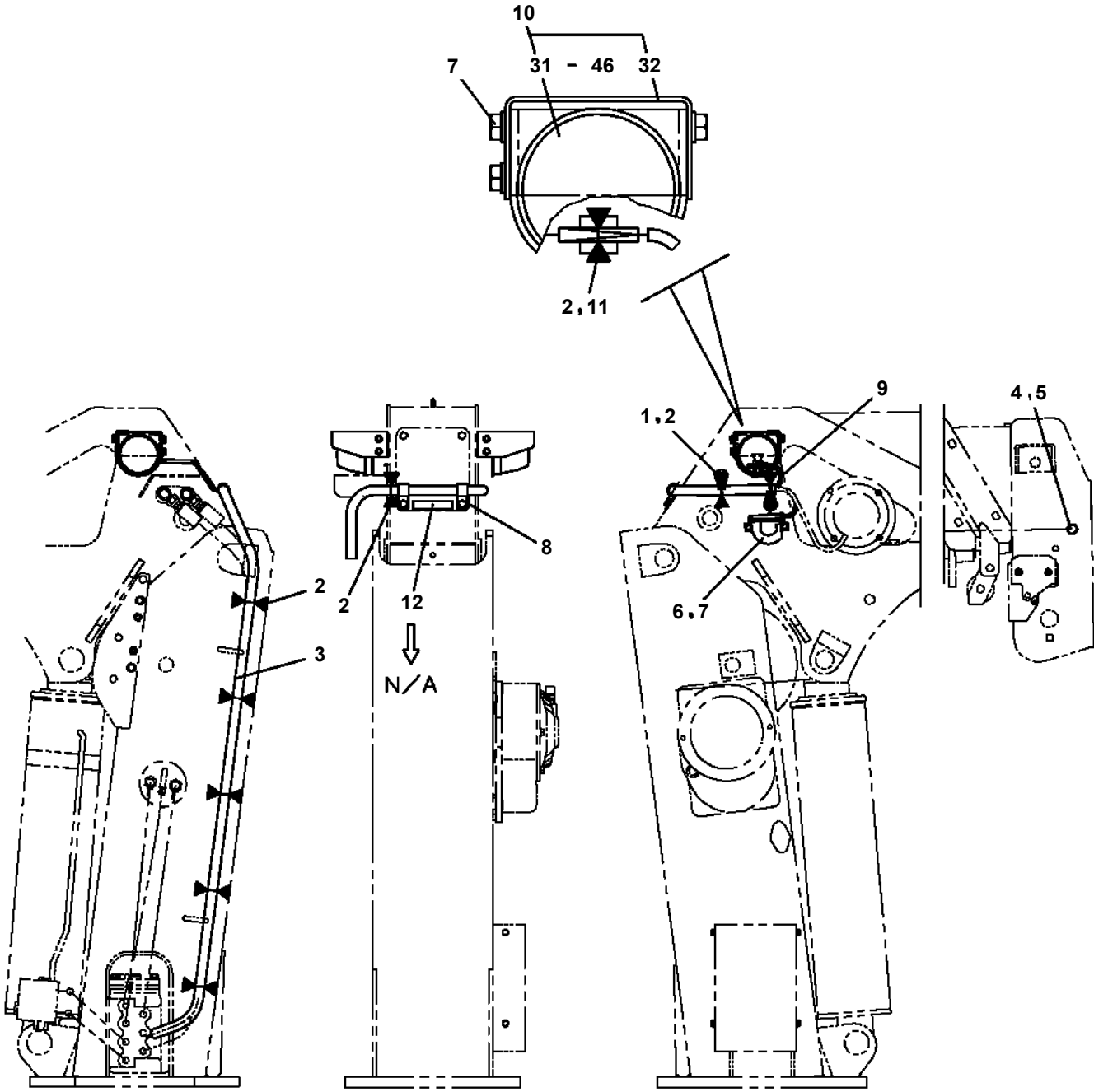
TM-ZR500 31094020820 BOOM/3 SECT.,HOOK-IN
PF1090022-01 SOCKET,ROPE



**TM-ZR500 31094020820 BOOM/3 SECT.,HOOK-IN
PG1200156-02 PIPING,TELESCOPING (JOINT)**



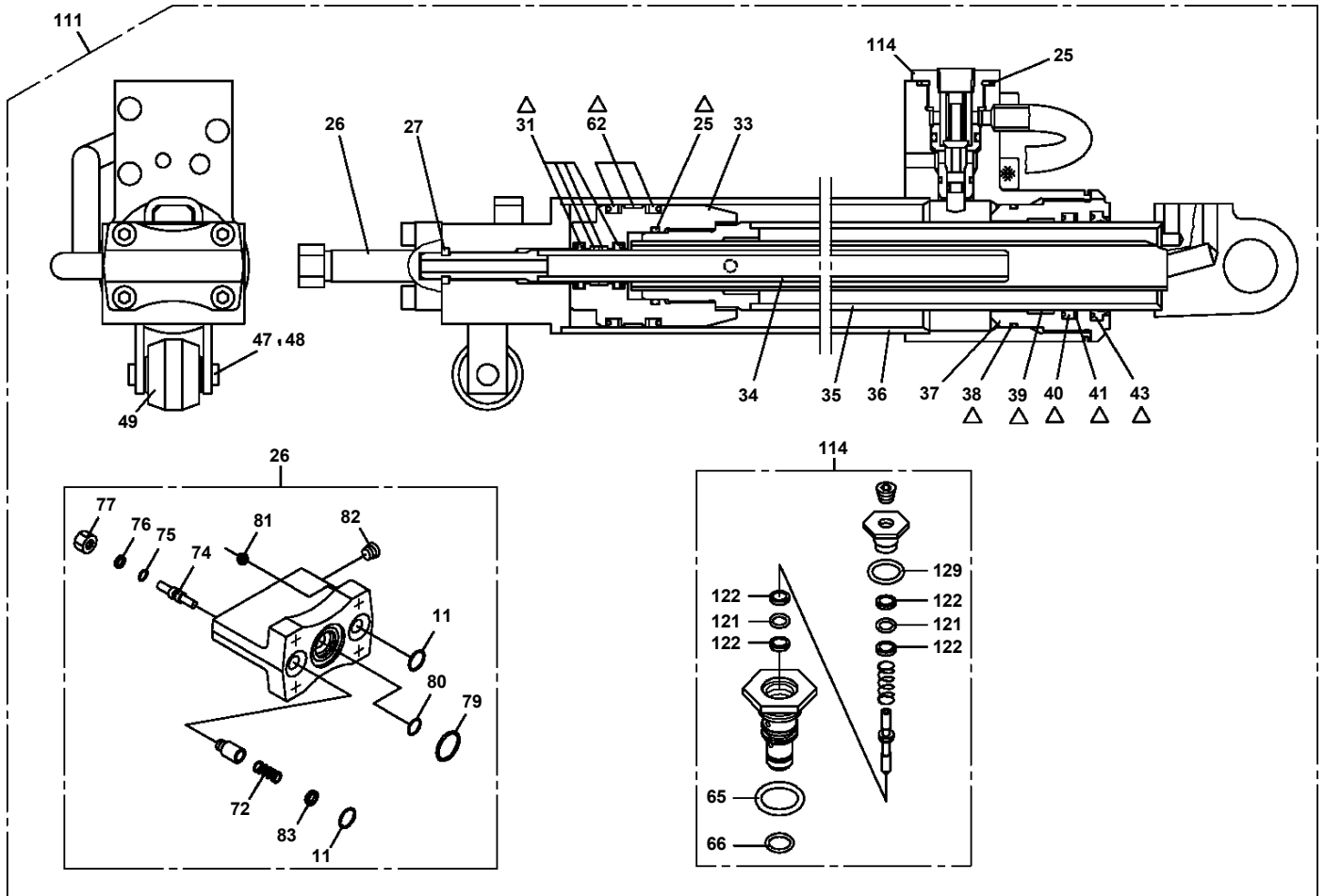
TM-ZR500 31094020820 BOOM/3 SECT.,HOOK-IN
PN1013762-02 ELEC.ASSY



12
フレーム製番

**TM-ZR500 31094020820 BOOM/3 SECT.,HOOK-IN
PT5130031-01 TELESCOPE ASSY**

NO.1 CYLINDER



△:PACKING SET KEY NO.101 (KEY NO.25,31,38,39,40,41,43,62)

CLICK HERE TO **DOWNLOAD** THE COMPLETE MANUAL

- Thank you very much for reading the preview of the manual.
- You can download the complete manual from: www.heydownloads.com by clicking the link below



- Please note: If there is no response to CLICKING the link, please download this PDF first and then click on it.

CLICK HERE TO **DOWNLOAD** THE COMPLETE MANUAL