

TM-ZR500 31094020651 BOOM/6 SECT.,NAVI.HOOK

PB000053-01 SYSTEM (ZR500,DOMESTIC)
PB0000102-01 SYSTEM (ZR560,AUSTRALIA)
PB0000103-01 SYSTEM (ZR560,TAIWAN)
PB0000106-01 SYSTEM (ZR500,AUSTRALIA)
PB0000107-01 SYSTEM (ZR500,TAIWAN)
ASSEMBLY

CLICK HERE TO **DOWNLOAD** THE COMPLETE MANUAL

- Thank you very much for reading the preview of the manual.
- You can download the complete manual from: www.heydownloads.com by clicking the link below



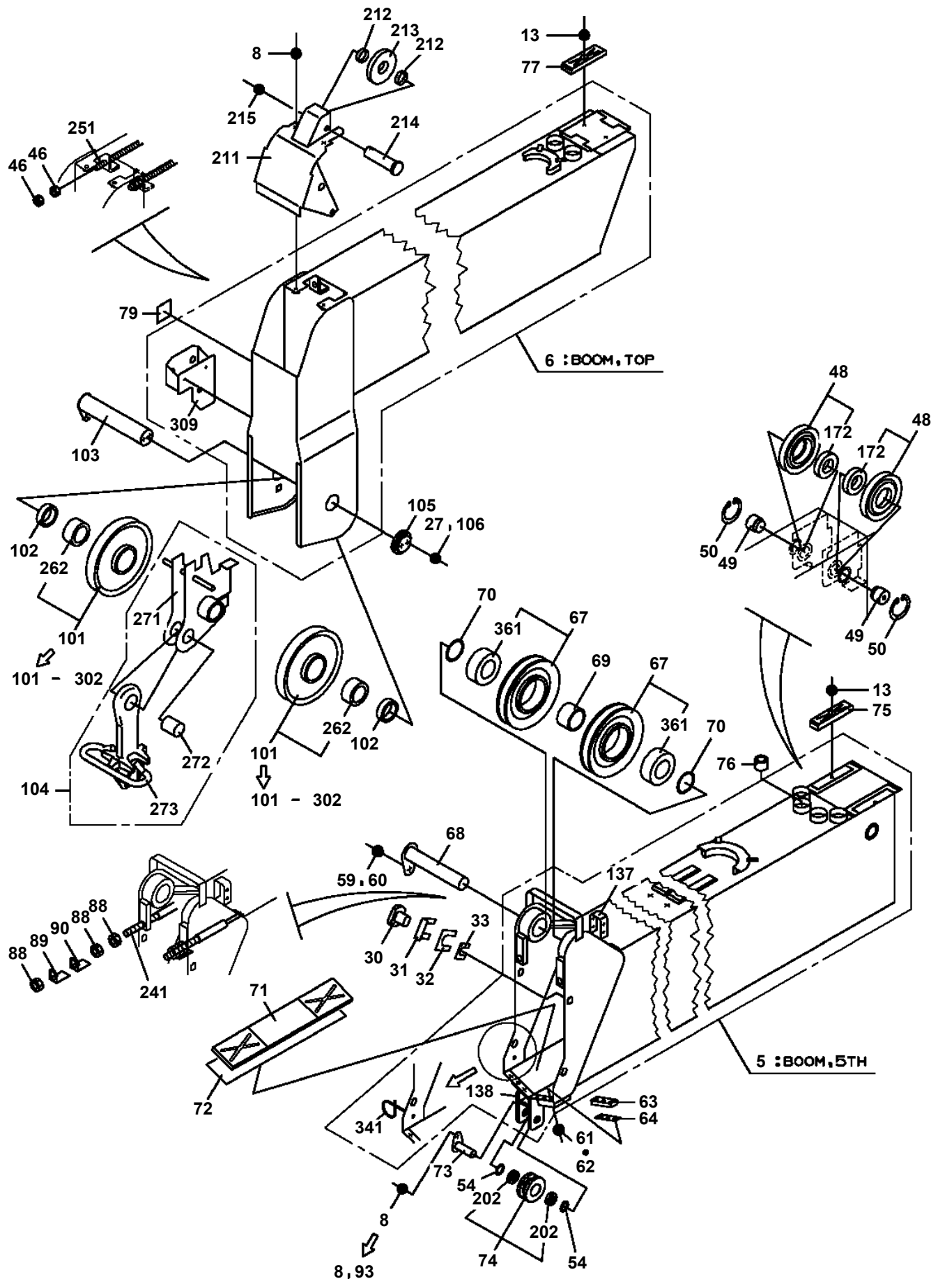
- Please note: If there is no response to CLICKING the link, please download this PDF first and then click on it.

CLICK HERE TO **DOWNLOAD** THE COMPLETE MANUAL

TM-ZR500 31094020651 BOOM/6 SECT.,NAVI.HOOK

Pos No.	Parts No	Parts Name	Qty	Unit	Technical Data	Serial No (Start)	Serial No (End)	Remarks	Pages
1	(*****)	BOOM SYSTEM	1						000025

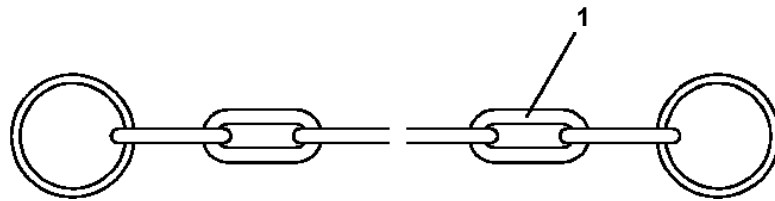
**TM-ZR500 31094020651 BOOM/6 SECT.,NAVI.HOOK
PG1010771-07 BOOM (6 SECT.)**



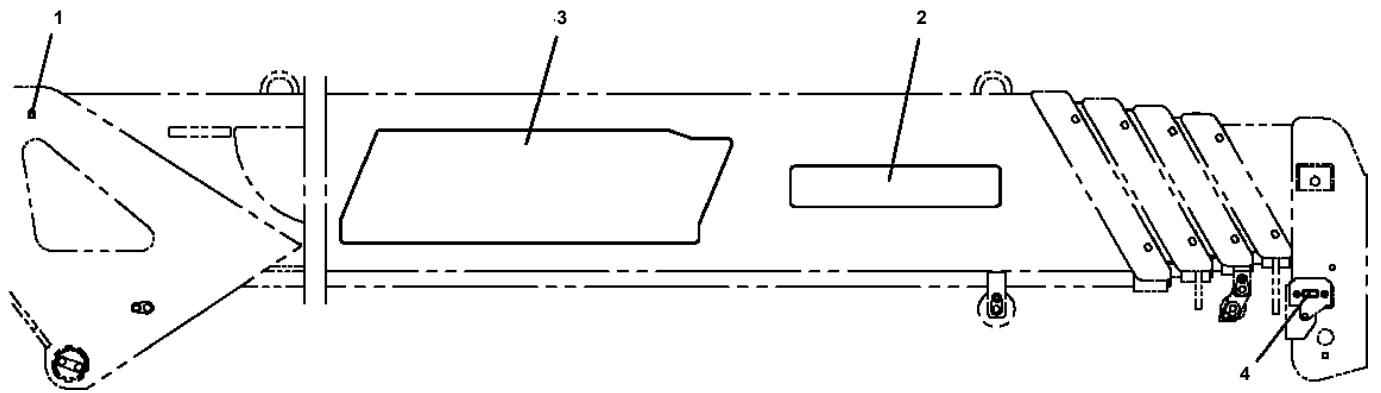
TM-ZR500 31094020651 BOOM/6 SECT.,NAVI.HOOK

Pos No.	Parts No	Parts Name	Qty	Unit	Technical Data	Serial No (Start)	Serial No (End)
1	36016380001	CYLINDER ASSY,TELESCOPING	1				DE9282
	36016380002	CYLINDER ASSY,TELESCOPING	1			DE9283	
2	37001008680	SHEAVE ASSY	2				
3	90172108014	BOLT,HEXAGON SOCKET	2		M8X14		
4	90302040801	WASHER,SPRING	6		8		DE9282
	90302040801	WASHER,SPRING	6		8	DE9283	
5	31211590100	SUPPORT	1				
6	90302041001	WASHER,SPRING	2		10		
7	90171110040	BOLT	2		M10X40		
8	36605520000	VALVE,COUNTERBALANCE	1				
21	37001100390	ROLLER ASSY	2				
22	80601110150	RING,RITAINING	8		15		DE9282
	80601110150	RING,RITAINING	8		15	DE9283	
23	36016380200	SUPPORT	1				
24	36016030300	PLUNGER	1				
25	91411001600	RING,BACKUP			P16		DD2554
	91411001600	RING,BACKUP	1		P16		DE9282
	91411001600	RING,BACKUP			P16	DD2555	DE9282
	91411001600	RING,BACKUP	1		P16	DE9283	
26	91002801600	O-RING	3		1B P16		DE9282
	91002801600	O-RING			1B P16		DD2554
	91002801600	O-RING			1B P16	DD2555	DE9282
	91002801600	O-RING	3		1B P16	DE9283	
27	80640100160	RING,RITAINING	1		IRTW-16		DE9282
	80602110200	RING,RITAINING	1		R20	DE9283	
28	91100401200	SEAL	1		IRTW-16		DD2554
	36016030350	SEAL	1			DD2555	DE9282
	36016030351	SEAL	1			DE9283	
29	36016380100	PISTON	1				DE9282
	36016380400	PISTON	1			DE9283	
30	91002802800	O-RING			1B P28		DD2554
	91002802800	O-RING	1		1B P28		DE9282
	91002802800	O-RING			1B P28	DD2555	DE9282
	91002802800	O-RING	1		1B P28	DE9283	
31	91350207000	BEARING,PLAIN (WITH PACKINGX2)	2				DE9282
	91350207000	BEARING,PLAIN (WITH PACKINGX2)					DD2554
	91350207000	BEARING,PLAIN (WITH PACKINGX2)				DD2555	DE9282
	91350207000	BEARING,PLAIN (WITH PACKINGX2)	2			DE9283	
32	37000402120	BEARING,PLAIN (WITH PACKINGX2)	1				DE9282
	37000402120	BEARING,PLAIN (WITH PACKINGX2)	1				DF5930
	37000402120	BEARING,PLAIN (WITH PACKINGX2)	1			DE9283	
	37000402120	BEARING,PLAIN (WITH PACKINGX2)	1			DF5931	
33	91350206500	BEARING,PLAIN (WITH PACKINGX2)	1				
34	91002903500	O-RING	1		1B G35		
35	36014674000	PISTON	1				
36	36016381001	CYLINDER	1				
37	36016382000	ROD	1				
38	36016380300	COVER,ROD	1				
39	91002906500	O-RING			1B G65		DD2554
	91002906500	O-RING	2		1B G65		DE9282
	91002906500	O-RING			1B G65	DD2555	DE9282
	91002906500	O-RING	2		1B G65	DE9283	
40	91694005000	PACKING					DD2554
	91694005000	PACKING	2				DE9282
	91694005000	PACKING				DD2555	DE9282
	91694005000	PACKING	2			DE9283	
41	91410205001	RING,BACKUP	2				DE9282
	91410205001	RING,BACKUP					DD2554
	91410205001	RING,BACKUP				DD2555	DE9282
	91410205001	RING,BACKUP	2			DE9283	
42	91660005001	SEAL,DUST					DD2554
	91660005001	SEAL,DUST	2				DE9282
	91660005001	SEAL,DUST				DD2555	DE9282

TM-ZR500 31094020651 BOOM/6 SECT.,NAVI.HOOK
PH1060326-00 DETECTOR,OVER WIND (CHAIN,FOR WEIGHT)



TM-ZR500 31094020651 BOOM/6 SECT.,NAVI.HOOK
PO1014272-00 PLATE ASSY,NAME



CLICK HERE TO **DOWNLOAD** THE COMPLETE MANUAL

- Thank you very much for reading the preview of the manual.
- You can download the complete manual from: www.heydownloads.com by clicking the link below



- Please note: If there is no response to CLICKING the link, please download this PDF first and then click on it.

CLICK HERE TO **DOWNLOAD** THE COMPLETE MANUAL