

TM-ZR500 31094020140 BOOM/5 SECT.,HOOK-IN

PB0000053-01 SYSTEM (ZR500,DOMESTIC)

PB0000054-01 SYSTEM (ZR500,EXPORT)

PB0000055-01 SYSTEM (ZR550,DOMESTIC)

PB0000056-02 SYSTEM (ZR560,EXPORT)

PB0000102-01 SYSTEM (ZR560,AUSTRALIA)

PB0000103-01 SYSTEM (ZR560,TAIWAN)

PB0000106-01 SYSTEM (ZR500,AUSTRALIA)

PB0000107-01 SYSTEM (ZR500,TAIWAN)

ASSEMBLY

CLICK HERE TO **DOWNLOAD** THE COMPLETE MANUAL

- Thank you very much for reading the preview of the manual.
- You can download the complete manual from: www.heydownloads.com by clicking the link below



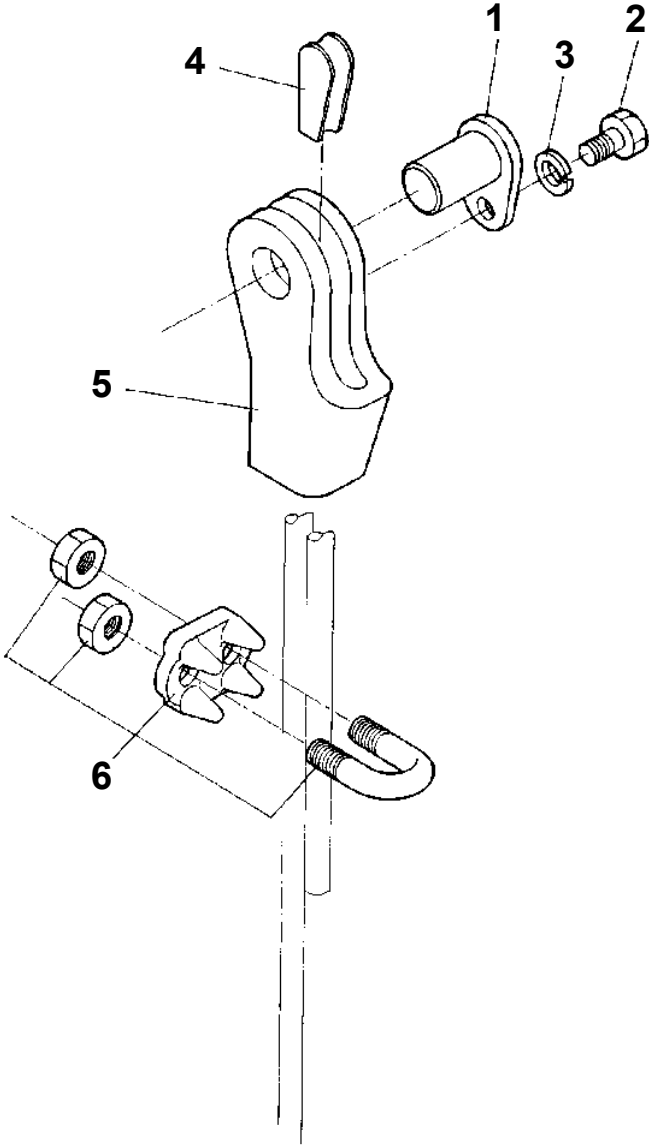
- Please note: If there is no response to CLICKING the link, please download this PDF first and then click on it.

CLICK HERE TO **DOWNLOAD** THE COMPLETE MANUAL

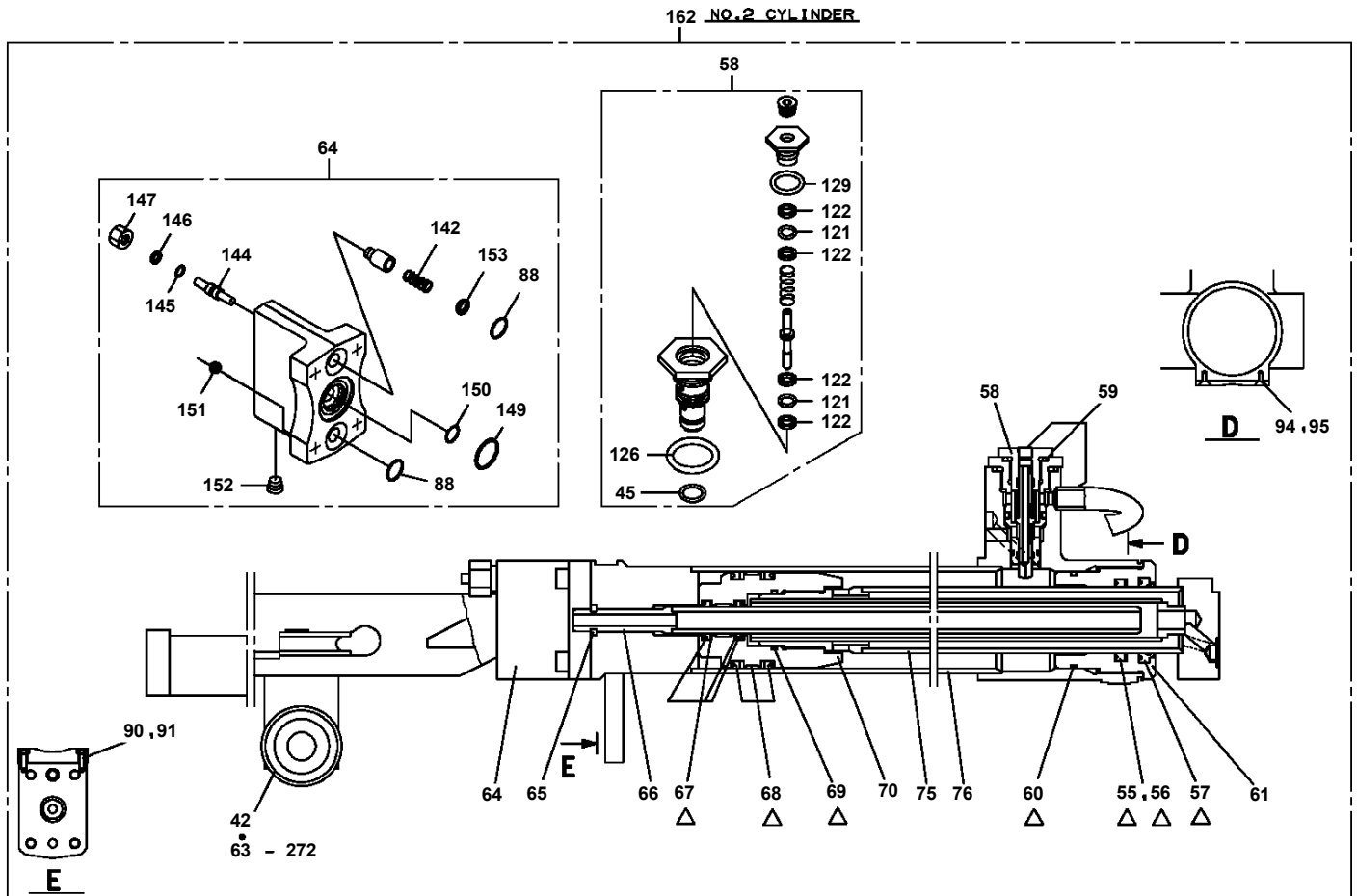
TM-ZR500 31094020140 BOOM/5 SECT.,HOOK-IN

Pos No.	Parts No	Parts Name	Qty	Unit	Technical Data	Serial No (Start)	Serial No (End)	Remarks	Pages
1	(*****)	BOOM SYSTEM	1						000034

TM-ZR500 31094020140 BOOM/5 SECT.,HOOK-IN
PF1090022-01 SOCKET,ROPE



**TM-ZR500 31094020140 BOOM/5 SECT.,HOOK-IN
PG1050384-13 CYLINDER,TELESCOPING (5 SECT.BOOM)**

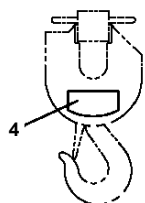
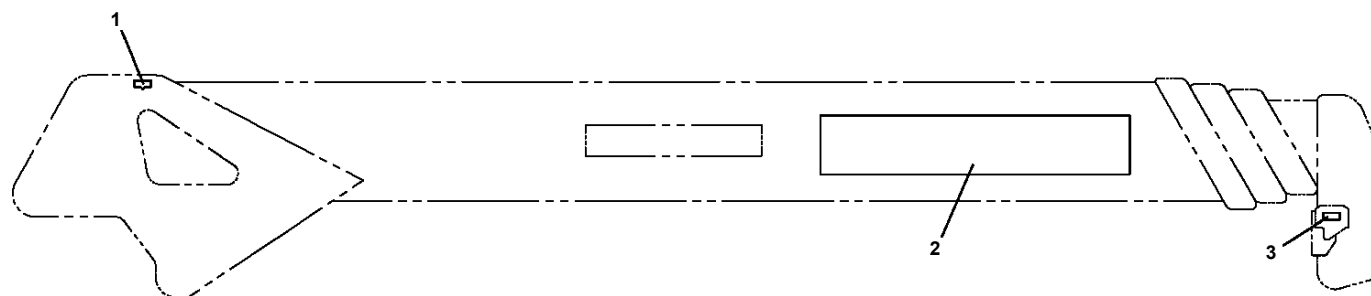


△:PACKING SET KEY NO. 172 (KEY NO.55 56;57 60;67 (68,69 ,69)

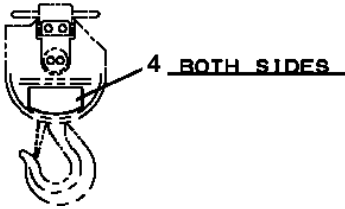
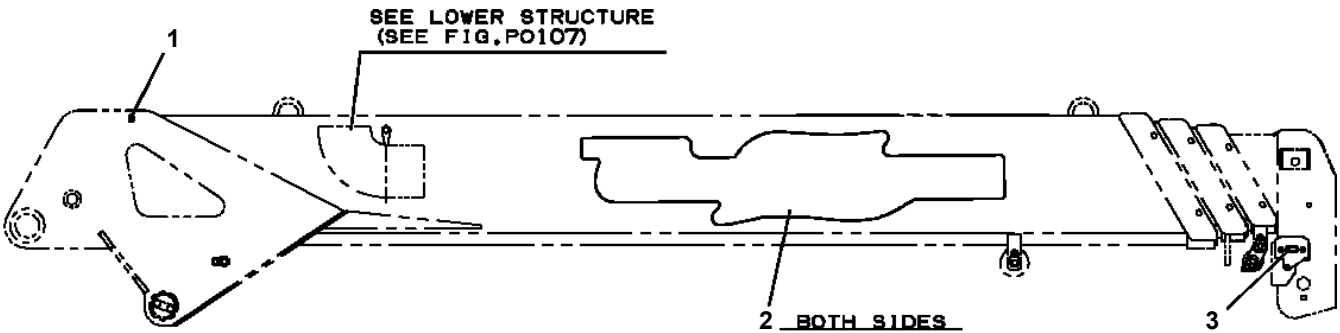
TM-ZR500 31094020140 BOOM/5 SECT.,HOOK-IN

Pos No.	Parts No	Parts Name	Qty	Unit	Technical Data	Serial No (Start)	Serial
1	31371923500	DETECTOR,OVER WIND (CHAIN,FOR WEIGHT)	1				

TM-ZR500 31094020140 BOOM/5 SECT.,HOOK-IN
PN5010049-00 NAME PLATE ASSY (7000IDS/FOR CANADA)

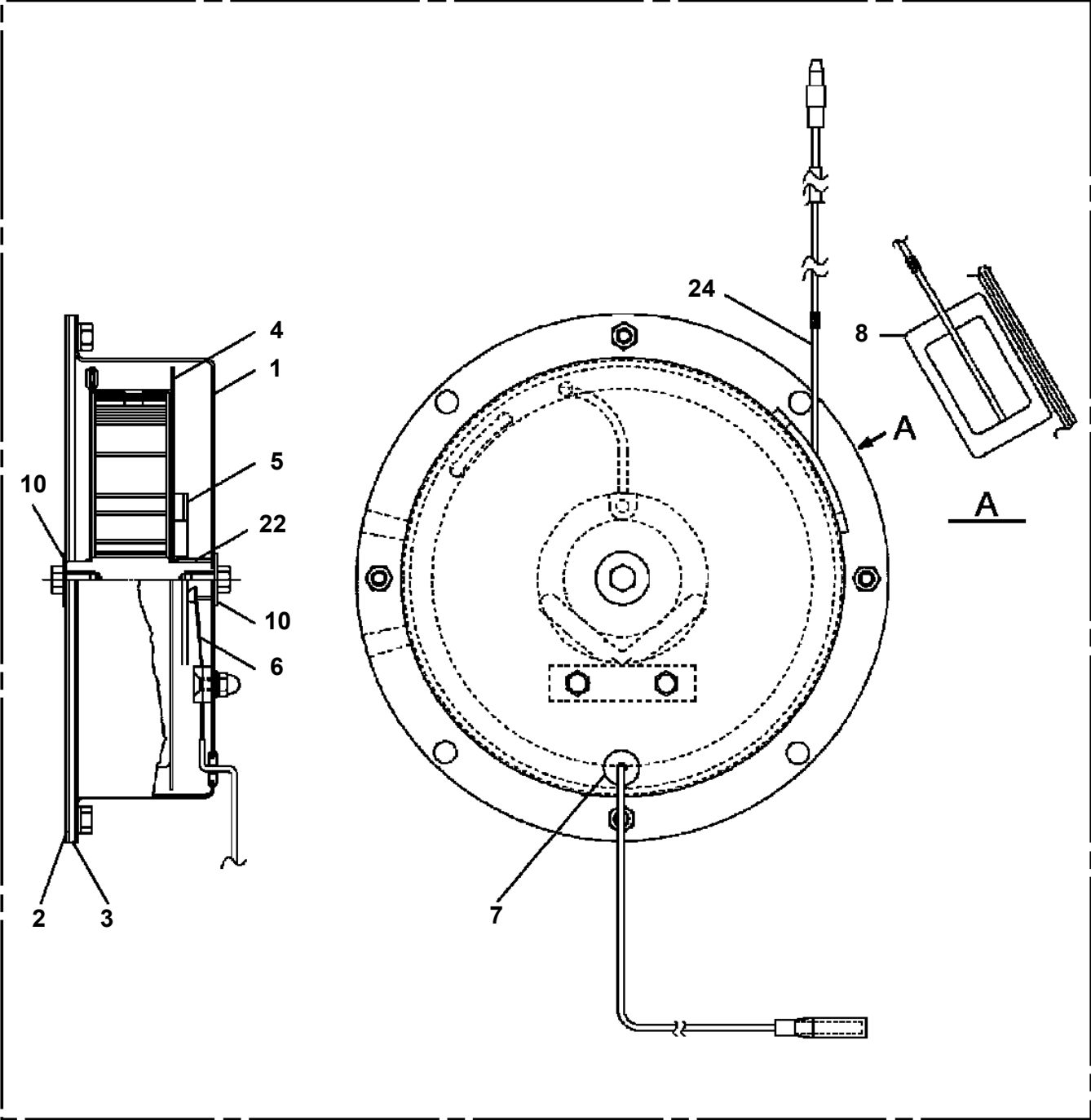


TM-ZR500 31094020140 BOOM/5 SECT.,HOOK-IN
PO1013194-00 PLATE ASSY,NAME (BOOM/FOR CANADA)

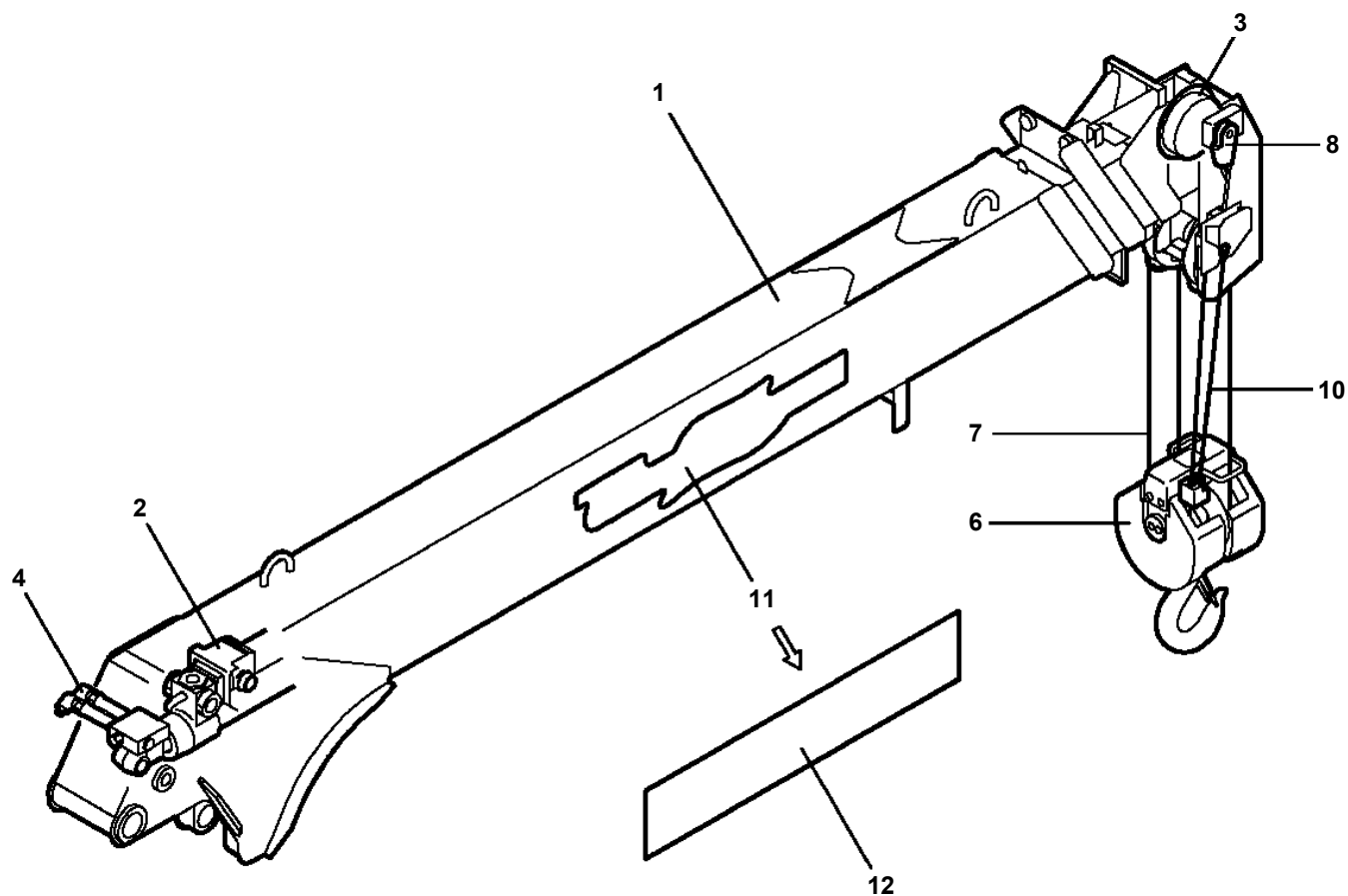


TM-ZR500 31094020140 BOOM/5 SECT.,HOOK-IN
PR5050009-00 REEL ASSY,CORD

100



TM-ZR500 31094020140 BOOM/5 SECT.,HOOK-IN
PZ1000399-07 BOOM SYSTEM



注 意：本図は参考用に掲載しており、形状などは実機と異なります。

NOTE:THE ABOVE FIGURE IS FOR REFERENCE AND MAY DIFFER
FROM THE ACTUAL APPEARANCE OF YOUR MACHINE.

適用製造番号によっては取り付けがないものもあります。

MACHINES OF SOME SERIAL NO. ARE NOT EQUIPPED WITH THESE PARTS.

CLICK HERE TO **DOWNLOAD** THE COMPLETE MANUAL

- Thank you very much for reading the preview of the manual.
- You can download the complete manual from: www.heydownloads.com by clicking the link below



- Please note: If there is no response to CLICKING the link, please download this PDF first and then click on it.

CLICK HERE TO **DOWNLOAD** THE COMPLETE MANUAL