

TM-ZR500 31094010812A FRAME/STD,RADIO CONT.,HOOK-IN
PB0000057-04 SYSTEM (ZR500,AUSTRALIA)
ASSEMBLY

CLICK HERE TO **DOWNLOAD** THE COMPLETE MANUAL

- Thank you very much for reading the preview of the manual.
- You can download the complete manual from: www.heydownloads.com by clicking the link below



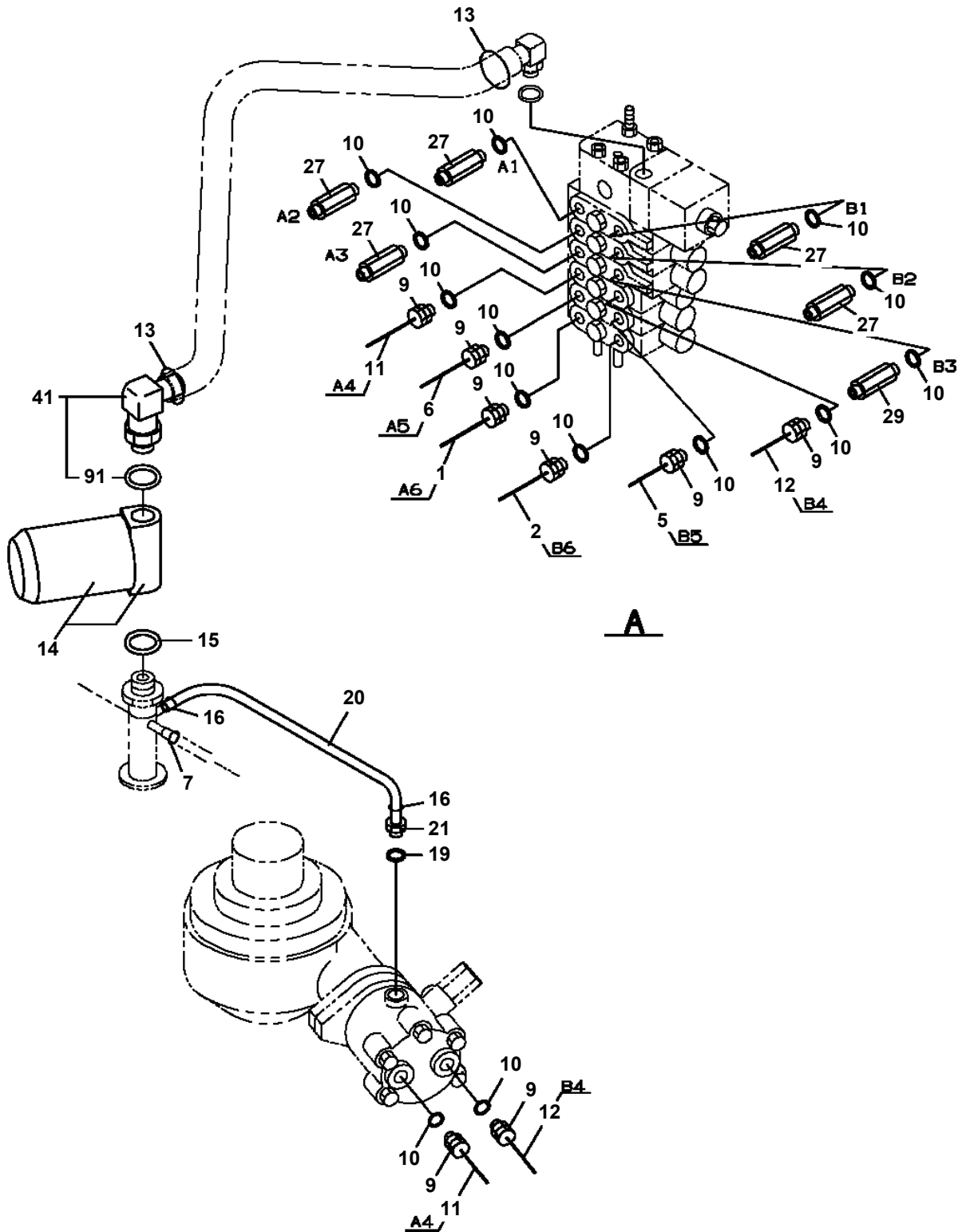
- Please note: If there is no response to CLICKING the link, please download this PDF first and then click on it.

CLICK HERE TO **DOWNLOAD** THE COMPLETE MANUAL

TM-ZR500 31094010812A FRAME/STD,RADIO CONT.,HOOK-IN

Pos No.	Parts No	Parts Name	Qty	Unit	Technical Data	Serial No (Start)	Serial No (End)	Remarks	Pages
1	31631191000	PLATE	1				EW6639		
	31631191001	PLATE	1			EW6640			
2	90171112022	BOLT	2		M12X22				
3	90302041201	WASHER,SPRING	2		12				

TM-ZR500 31094010812A FRAME/STD,RADIO CONT.,HOOK-IN
PB1411683-01 PIPING,LOWER



TM-ZR500 31094010812A FRAME/STD,RADIO CONT.,HOOK-IN

Pos No.	Parts No	Parts Name	Qty	Unit	Technical Data	Serial No (Start)	Serial No (End)	Remarks
1	(*****)	OUTRIGGER (FOR EXPORT)	2					

TM-ZR500 31094010812A FRAME/STD,RADIO CONT.,HOOK-IN

Pos No.	Parts No	Parts Name	Qty	Unit	Technical Data	Serial No (Start)	Serial No
1	31623760100	CASE,OUTER	1				
2	31623762000	CASE,INNER	2				
3	31621343000	CASE (LEFT H=555)	1				
4	31621344000	CASE (RIGHT H=555)	1				
5	31622103000	SUPPORT	1				
6	31622104000	SUPPORT	1				
7	90171118040	BOLT	8		M18X40		
8	90302041801	WASHER,SPRING	8		18		
9	31200713400	SHIM	2		T=0.6		
10	31621340401	COVER	2				
11	90186208016	BOLT,FLANGE	4		M8X16		
12	37000162930	PIN	2				
13	80314110060	NUT	4		PT10		
14	80314120060	SLEEVE	4		PT10		
15	31620386000	BOLT	2				
16	90203252000	NUT	2				
17	37000300170	SPACER	4		L=16		
18	42310210500	PIN	2				
19	37000308620	SPACER	4				
21	37003100030	GRIP	2				
22	37001200720	SPRING	2				
23	31621340200	PIN	2				
24	31621340100	PLATE	2				
25	90172112030	BOLT,HEXAGON SOCKET	12		M12X30		
26	90302401201	WASHER,SPRING (12)	12				
27	31620437000	GUIDE	8				
28	90101210025	BOLT	8		M10X25		
29	90302041001	WASHER,SPRING	12		10		
30	81408000130	PIPE,STEEL	4	M	10X1.8T		
34	80314130080	FITTING	4		PA10PT1/4		
35	82456201000	NIPPLE,GREASE	2		A-TYPE PT1/8		
36	82400000459	CAP	2				
37	80601110200	RING,RITAINING	8		S20		
38	37001100660	ROLLER ASSY	6				
39	37000303100	SPACER	2		L=129		
51	31642900100	PIPE ASSY (LEFT)	1				
52	31642900200	PIPE ASSY (RIGHT)	1				
53	37002408200	HOSE	4		L=1060		
54	44340295000	JOINT,SWIVEL	4		PT1/4XPF1/4		
55	90101210020	BOLT	4		M10X20		
61	31622141200	PIN ASSY	2				
71	44340297520	REPAIR KIT (O-RINGX2 BACKUPX2SEALX2)	4				
81	31621340300	SUPPORT	2				
82	90171116050	BOLT	8		M16X50		
83	90202781600	NUT	16		M16		
85	37000539370	PLATE	2				
101	(*****)	CYLINDER,JACK (REAR/STROKE 330MM)	2				
112	80516006004	BEARING,BALL	6				

TM-ZR500 31094010812A FRAME/STD,RADIO CONT.,HOOK-IN

Pos No.	Parts No	Parts Name	Qty	Unit	Technical Data	Serial No (Start)	Serial No (End)
1	36620990000	VALVE,PILOT CHECK	1				
2	90172110035	BOLT,HEXAGON SOCKET	2		M10X35		
3	90172110025	BOLT,HEXAGON SOCKET	4		M10X25		
4	90302041001	WASHER,SPRING	4		10		
5	36032650001	CYLINDER,JACK	1				
11	36032651000	CYLINDER	1				
12	80136363071	PIN,SPLIT	1		6.3X71		
13	37001600000	NUT,CASTLE	1		M36		
14	36032654000	ROD	1				
15	91350207500	BEARING,PLAIN (WITH PACKINGX2)	1				
16	91002803400	O-RING	1		1B P34		
17	36032652000	PISTON	1				
18	36030643000	COVER,ROD	1				
19	91002907000	O-RING	1		1B G70		
20	91694006000	PACKING	1				
21	91410206002	RING,BACKUP	1				
22	36010130030	WASHER	1				
23	91660006000	SEAL,DUST	2				
24	80622000600	RING,RITAINING	1		SP60		
30	36032659900	PACKING SET	1		60X75		

TM-ZR500 31094010812A FRAME/STD,RADIO CONT.,HOOK-IN

Pos No.	Parts No	Parts Name	Qty	Unit	Technical Data	Serial No (Start)	Serial No (End)	Rem
1	37000921300	JOINT	2		S,PF1/4-PF1/4			
2	91002801100	O-RING	10		1B P11			
3	80303210060	FITTING,ELBOW	6					
4	81408000100	PIPE,STEEL	1	M	10X1.2T			
5	81408000100	PIPE,STEEL	1	M	10X1.2T			
6	81408000100	PIPE,STEEL	2	M	10X1.2T			
7	81408000100	PIPE,STEEL	1	M	10X1.2T			
8	80302090101	FITTING	2		KCO10-020N			
9	36672980001	POWER SUPPLY (REAR JACK)	1					
10	90172108018	BOLT,HEXAGON SOCKET	4		M8X18			
11	90302040801	WASHER,SPRING	5		8			
12	37005700130	CLAMP	2		10X2			
13	90101208060	BOLT	1		M8X60			
14	90303070801	WASHER,PLAIN	1		8			
15	90201200800	NUT	1		M8			

TM-ZR500 31094010812A FRAME/STD,RADIO CONT.,HOOK-IN

Pos No.	Parts No	Parts Name	Qty	Unit	Technical Data	Serial No (Start)	Serial No (End)
1	36034780100	CYLINDER	1				
2	36037390100	PISTON	1				
3	91002903500	O-RING	1		1B G35		
5	36032710200	COVER,ROD	1				
6	91002908000	O-RING	1		1B G80		
7	91694007001	PACKING	1				
8	91410207001	RING,BACKUP	1				
9	91660007001	SEAL,DUST	1				
10	36035380300	ROD	1				
11	91350308501	PACKING ASSY (PACKING X2+BACKUP RING X2)	1				
12	91332208500	BEARING,PLAIN	1				
30	36037359900	PACKING SET	1		70X85		
100	36037400000	CYLINDER ASSY,JACK	1				

TM-ZR500 31094010812A FRAME/STD,RADIO CONT.,HOOK-IN

Pos No.	Parts No	Parts Name	Qty	Unit	Technical Data	Serial No (Start)	Serial No (End)	P
1	36072625080	CASE,GEAR	1					
2	36072625020	CASE,GEAR	1					
3	36072625030	GEAR,SPUR	1					
4	36072625100	GEAR,SPUR	1					
5	36072625050	GEAR,SPUR	1					
6	36072625110	BRAKE,DISK	1					
7	36072625120	WHEEL,RATCHET (BUSH L=17MM)	1					
8	36071195080	LINK (RATCHET CONTROL)	1					
10	36071195100	RATCHET	1					
11	36072625090	SHAFT	1					
12	36071195120	SPRING	1					
13	36071195130	CAP	1					
14	36071195140	PIN	1					
15	36071195150	NUT	1					
16	80500006202	BEARING,BALL	1					
17	80500006212	BEARING,BALL	1					
18	80500006305	BEARING,BALL	1					
19	80500006007	BEARING,BALL	1					
20	91206048001	SEAL,OIL	1					
21	80602110620	RING,RITAINING	1		R62			
23	36071195200	O-RING	1					
24	36071195170	O-RING	1		P15			
25	80136340040	PIN,SPLIT	1		4X40			
26	36072625070	KEY	2					
27	90101208018	BOLT	6		M8X18			
28	90302040801	WASHER,SPRING	6		8			
29	80316030060	PLUG	1		PT3/8			
33	36071195190	GAUGE,OIL	1					
34	80172304015	SCREW,MACHINE	1		M4X15			
35	90302040401	WASHER,SPRING	1		4			
100	36072620000	WINCH (HARTYS)	1					
101	36070441000	FACING KIT(JAPANESE)	1					
102	36070442000	FACING KIT (ENGLISH)	1					

TM-ZR500 31094010812A FRAME/STD,RADIO CONT.,HOOK-IN

Pos No.	Parts No	Parts Name	Qty	Unit	Technical Data	Serial No (Start)	Serial No (End)	Remarks	Pages
1	31440250100	ROLLER ASSY	1						
2	37000105740	PIN	2						
3	80136332020	PIN,SPLIT	2		3.2X20				
4	90303071001	WASHER,PLAIN	4		10				
5	37001300000	SPRING	2						
21	37001107470	ROLLER ASSY	2						
22	37001108310	ROLLER ASSY	1						
23	31440250300	PIN	1						
24	31440250150	SUPPORT	1						
25	31440150350	WASHER,PLAIN	2						
26	90286001007	NUT	2		M10 P=1.25				
31	80516006001	BEARING,BALL	4						
43	80602110280	RING,RITAINING	2		R28				

TM-ZR500 31094010812A FRAME/STD,RADIO CONT.,HOOK-IN

Pos No.	Parts No	Parts Name	Qty	Unit	Technical Data	Serial No (Start)	Serial No (End)	Remarks	Pages
1	31500511100	HARNESS	1						

TM-ZR500 31094010812A FRAME/STD,RADIO CONT.,HOOK-IN

Pos No.	Parts No	Parts Name	Qty	Unit	Technical Data	Serial No (Start)	Serial No (End)	Remarks	Pages
100	31478092100	HARNESS	1						

TM-ZR500 31094010812A FRAME/STD,RADIO CONT.,HOOK-IN

Pos No.	Parts No	Parts Name	Qty	Unit	Technical Data	Serial No (Start)	Serial No (End)	Remarks	Pages
1	31360804100	HARNESS	1						

CLICK HERE TO **DOWNLOAD** THE COMPLETE MANUAL

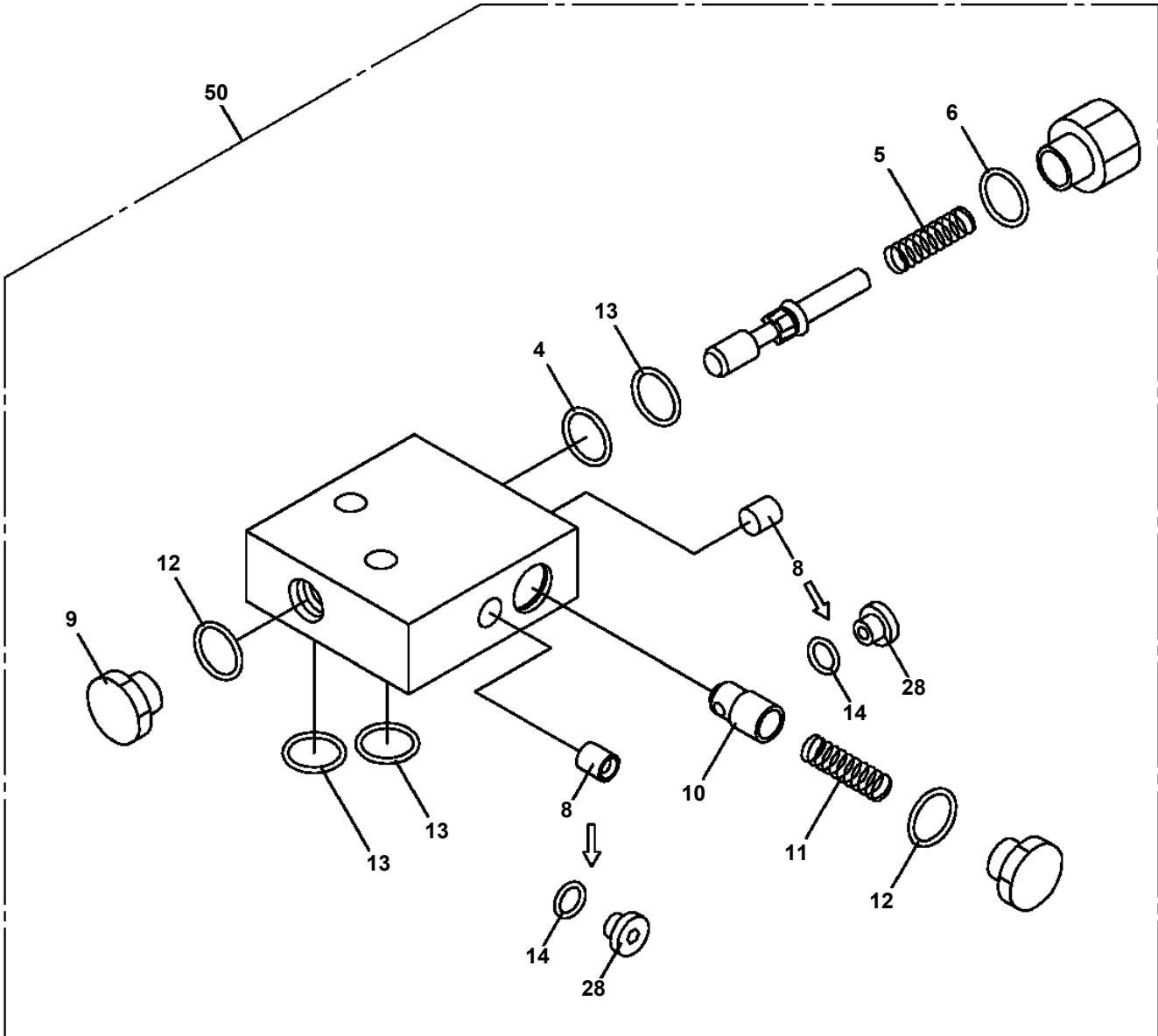
- Thank you very much for reading the preview of the manual.
- You can download the complete manual from: www.heydownloads.com by clicking the link below



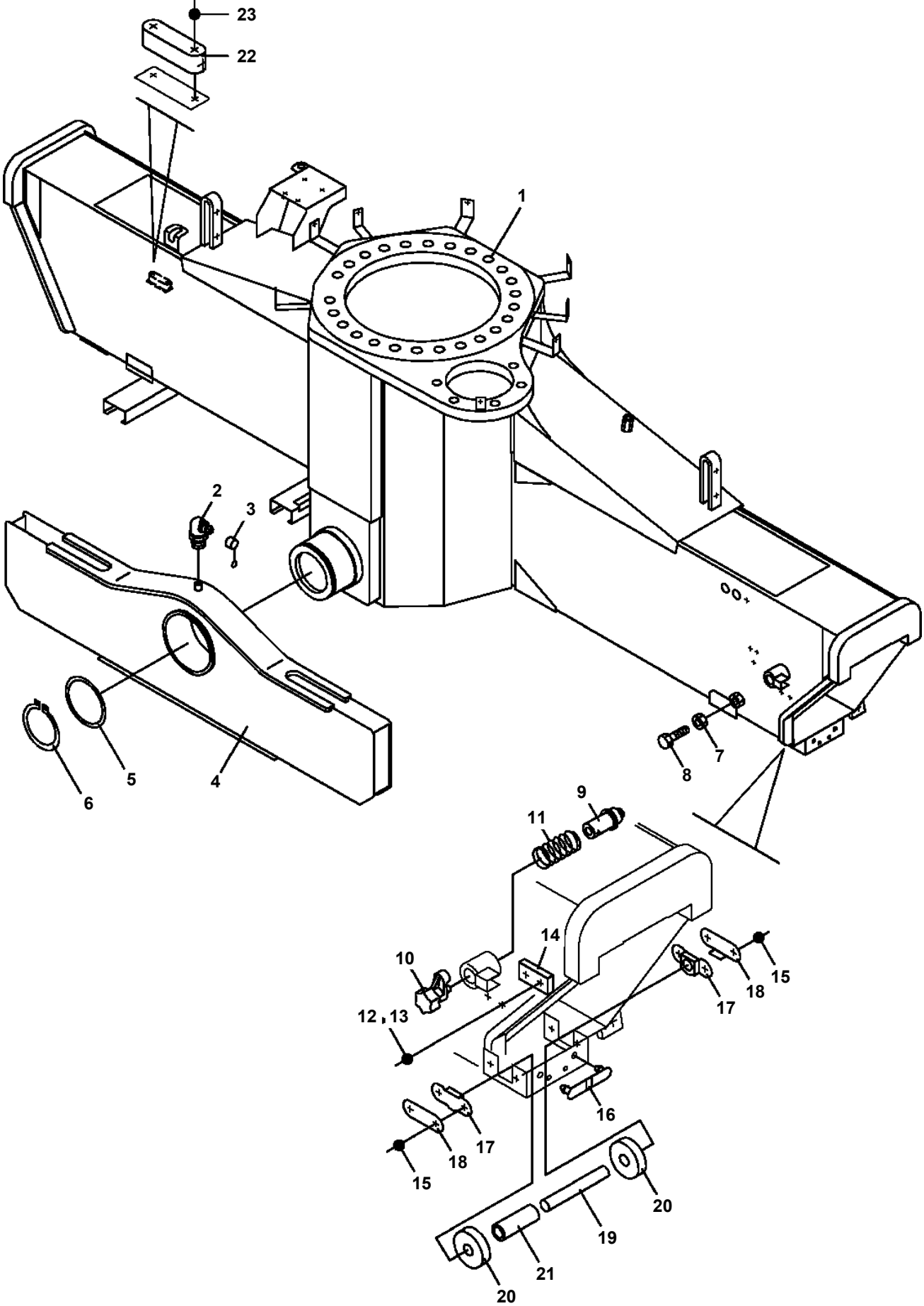
- Please note: If there is no response to CLICKING the link, please download this PDF first and then click on it.

CLICK HERE TO **DOWNLOAD** THE COMPLETE MANUAL

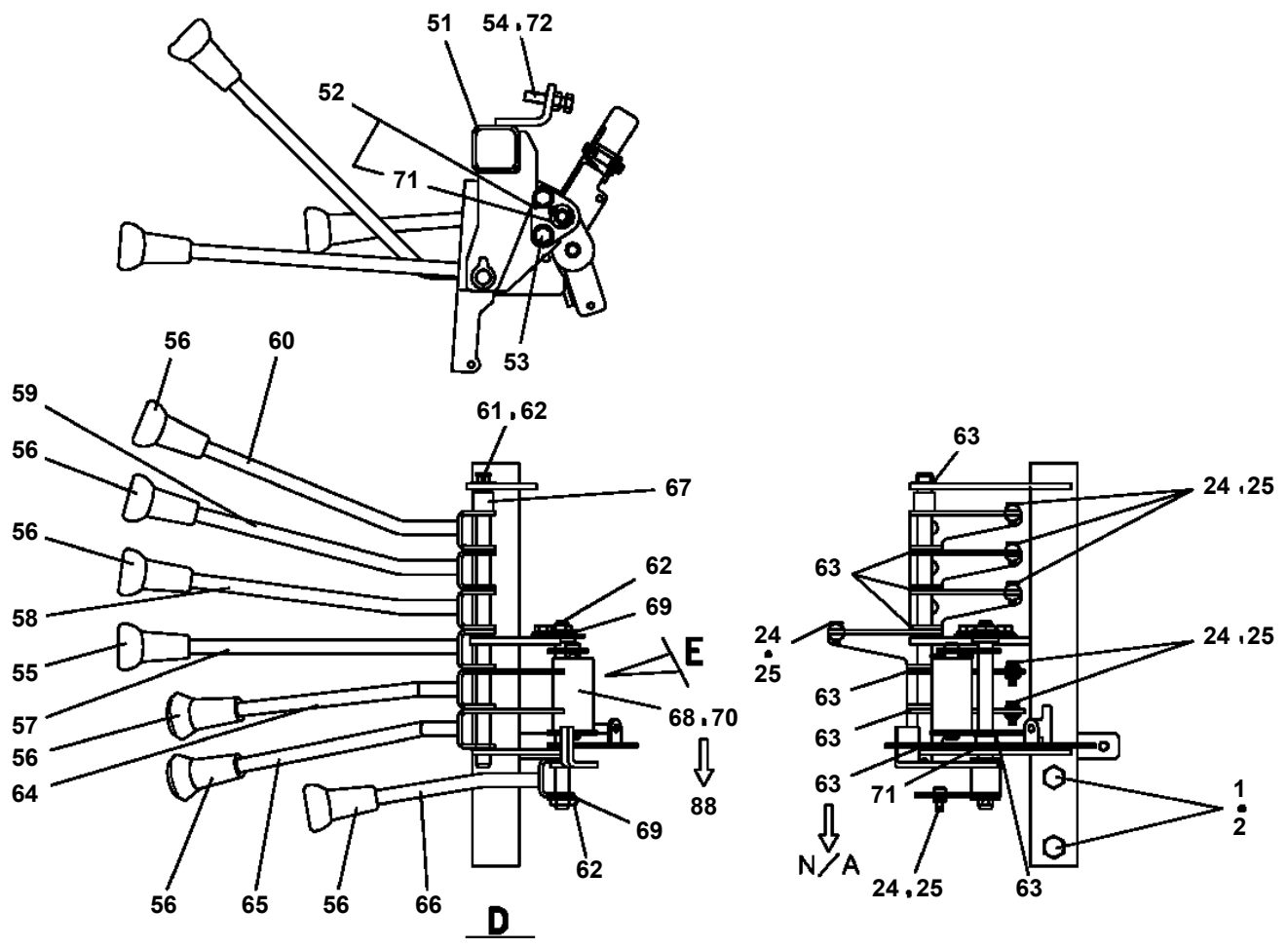
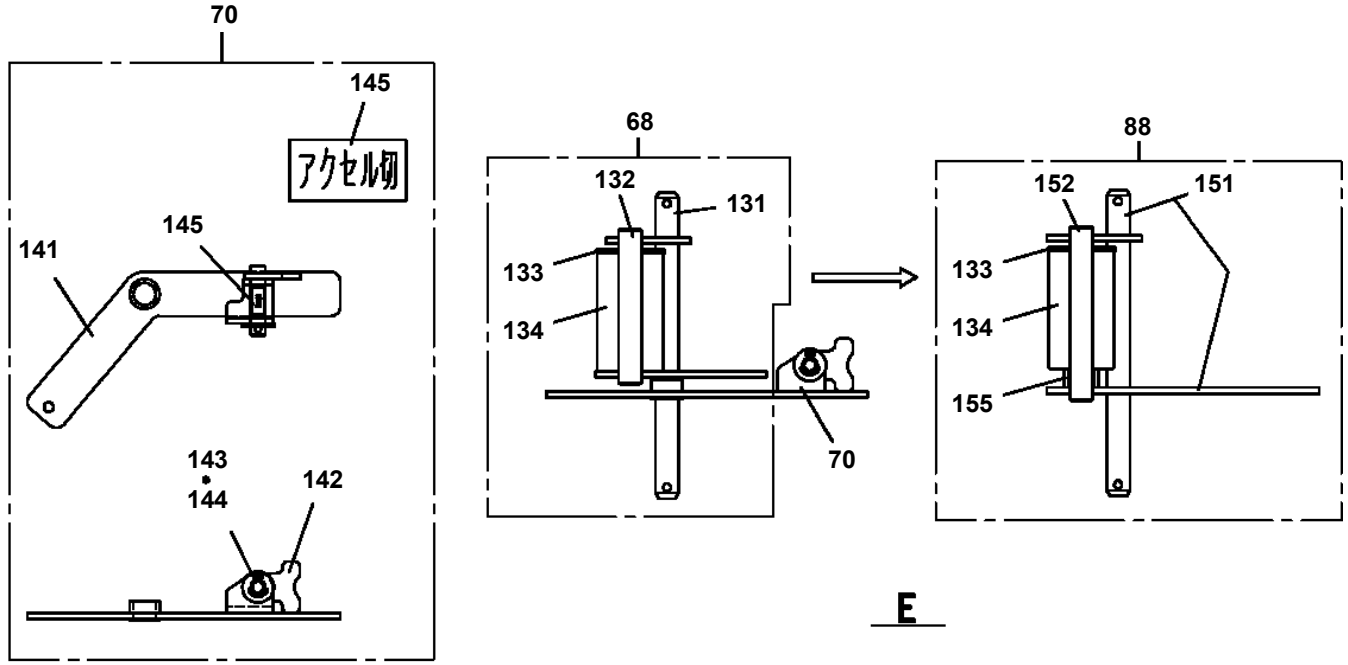
TM-ZR500 31094010812A FRAME/STD,RADIO CONT.,HOOK-IN
PI1250126-04 VALVE,COUNTERBALANCE



TM-ZR500 31094010812A FRAME/STD,RADIO CONT.,HOOK-IN
PK1011016-00 FRAME



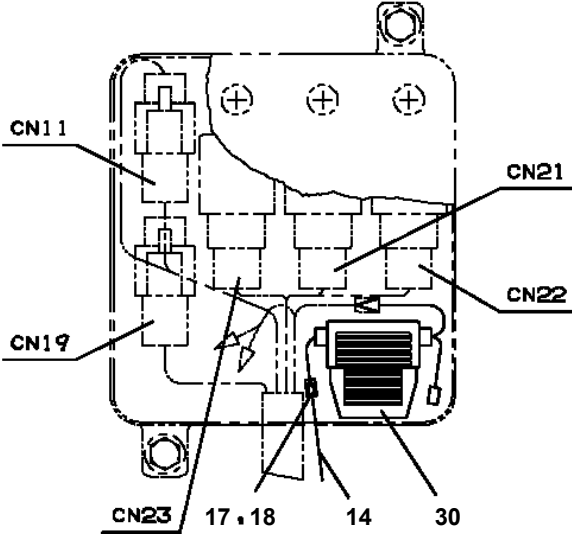
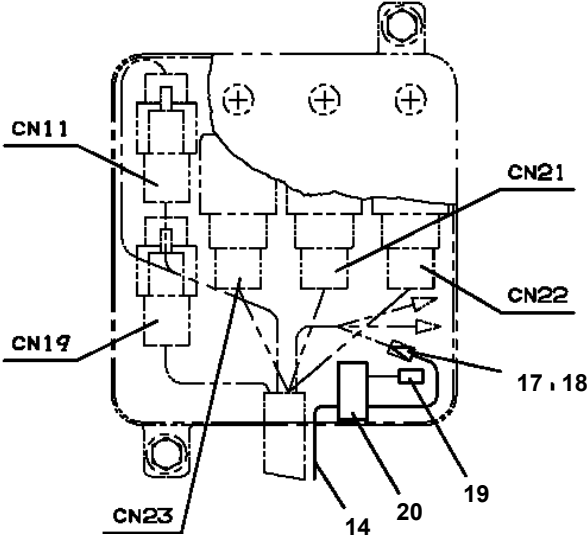
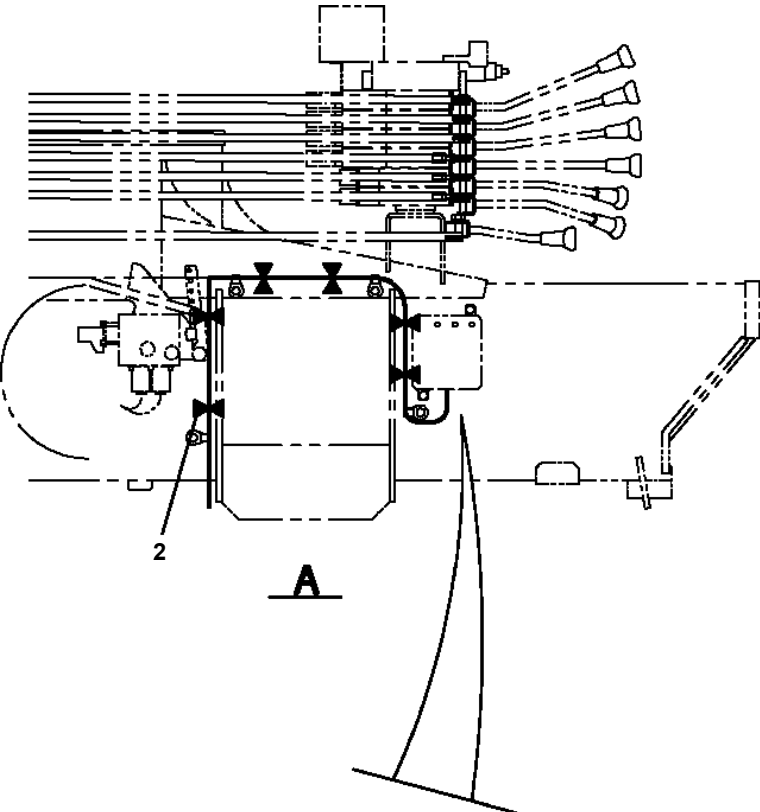
**TM-ZR500 31094010812A FRAME/STD,RADIO CONT.,HOOK-IN
 PL1010859-04 OPE.ASSY,CONT.VALVE (CRANE)**



TM-ZR500 31094010812A FRAME/STD,RADIO CONT.,HOOK-IN

Pos No.	Parts No	Parts Name	Qty	Unit	Technical Data	Serial No (Start)	Serial No (End)
2	90186208014	BOLT,FLANGE	4		M8X14		
3	31653221100	SPEAKER (ASSY ONLY)	1				
4	90280200800	NUT,FLANGE	1		M8		
5	91850310405	CLAMP (BLACK)	4				
6	91810130240	FASTENER	18				
8	91850100802	CLAMP	7				
9	31653221202	HARNESS	1			EW9721	EW9720
	31656501100	HARNESS	1				
10	90280200600	NUT,FLANGE	2		M6		
13	90186206010	BOLT,FLANGE	4		M6X10		
14	31653241300	COVER	2				
15	31653221500	COVER (IP)	1				
	31653221300	COVER	1				
16	90303070601	WASHER,PLAIN	4		6		EW6336
	90303070601	WASHER,PLAIN	2		6	EW6337	
17	90101206035	BOLT	4		M6X35		
18	80192483006	SCREW,MACHINE	4		M3X6		
19	82401800120	PLUG (FOR M12)	2				
21	31651760800	PLATE,CAUTION	1				
22	82401800080	PLUG (FOR M8)	1				
23	90302040601	WASHER,SPRING	4		6		
24	90186306010	BOLT,FLANGE	4		M6X10		
25	31732211000	GUARD ASSY	1			EW6337	PA3027
	31732212000	GUARD ASSY	1			PA3028	
26	37010500850	PLATE	1		T=1.5	EW9721	
27	91810130250	FASTENER	3			EW9721	
41	31653243100	SUPPORT	2				
42	82197600101	CAP (BLACK)	4				
44	82197600103	CAP (RED)	1				
52	82197518119	CAP (PLUS ONE MFG./BLACK)	2				
	82197518114	CAP (MATSUSHITA/BLACK)	2				
81	31653242200	COVER (PLASTIC)	1				
	31653242100	COVER (IRON)	1				
82	82100002596	RELAY	1				
83	82400000475	PLATE	3				
84	90280200600	NUT,FLANGE	1		M6		
85	80192486012	SCREW,MACHINE	1		M6X12		
131	31653223300	SWITCH ASSY (GREEN:PANASONIC)	1				
	31653223200	SWITCH ASSY (PLATING:NACC)	1				
151	31653224200	SWITCH ASSY (PLATING:NACC)	1				
	31653224300	SWITCH ASSY (GREEN:PANASONIC)	1				
161	31732211100	SUPPORT	1			EW6337	
162	31732201200	PLATE	1			EW6337	PA3027
	31732212200	PLATE	1			PA3028	
163	31732201300	SEAL	1			EW6337	

TM-ZR500 31094010812A FRAME/STD,RADIO CONT.,HOOK-IN
PN1014823-02 ELEC.ASSY



TM-ZR500 31094010812A FRAME/STD,RADIO CONT.,HOOK-IN

Pos No.	Parts No	Parts Name	Qty	Unit	Technical Data	Serial No (Start)	Serial No (End)
1	82105410110	SWITCH,TOGGLE	2				
2	82101429241	SWITCH,PUSH (GREEN)	2				
10	31653224300	SWITCH ASSY (GREEN:PANASONIC)	1				

TM-ZR500 31094010812A FRAME/STD,RADIO CONT.,HOOK-IN

Pos No.	Parts No	Parts Name	Qty	Unit	Technical Data	Serial No (Start)	Serial No (End)
1	82105501003	SWITCH,TOGGLE	2				
10	31653322200	SWITCH ASSY (WITH HARNESS,2-SW)	1				

TM-ZR500 31094010812A FRAME/STD,RADIO CONT.,HOOK-IN

Pos No.	Parts No	Parts Name	Qty	Unit	Technical Data	Serial No (Start)	S
1	31491366100	PLATE,NAME (LOAD RADIUS)	1				
2	31491366200	PLATE,NAME (LOAD RADIUS)	1				
3	31490814300	PLATE,NAME(EMPTY CHASSIS RATED CAPACITY)	2				
4	31490811400	PLATE,NAME (RATED LIFTING CAPACITY)	1				
5	31392140130	INDICATOR	2				
6	90190000060	BOLT	2		M10X16		

TM-ZR500 31094010812A FRAME/STD,RADIO CONT.,HOOK-IN

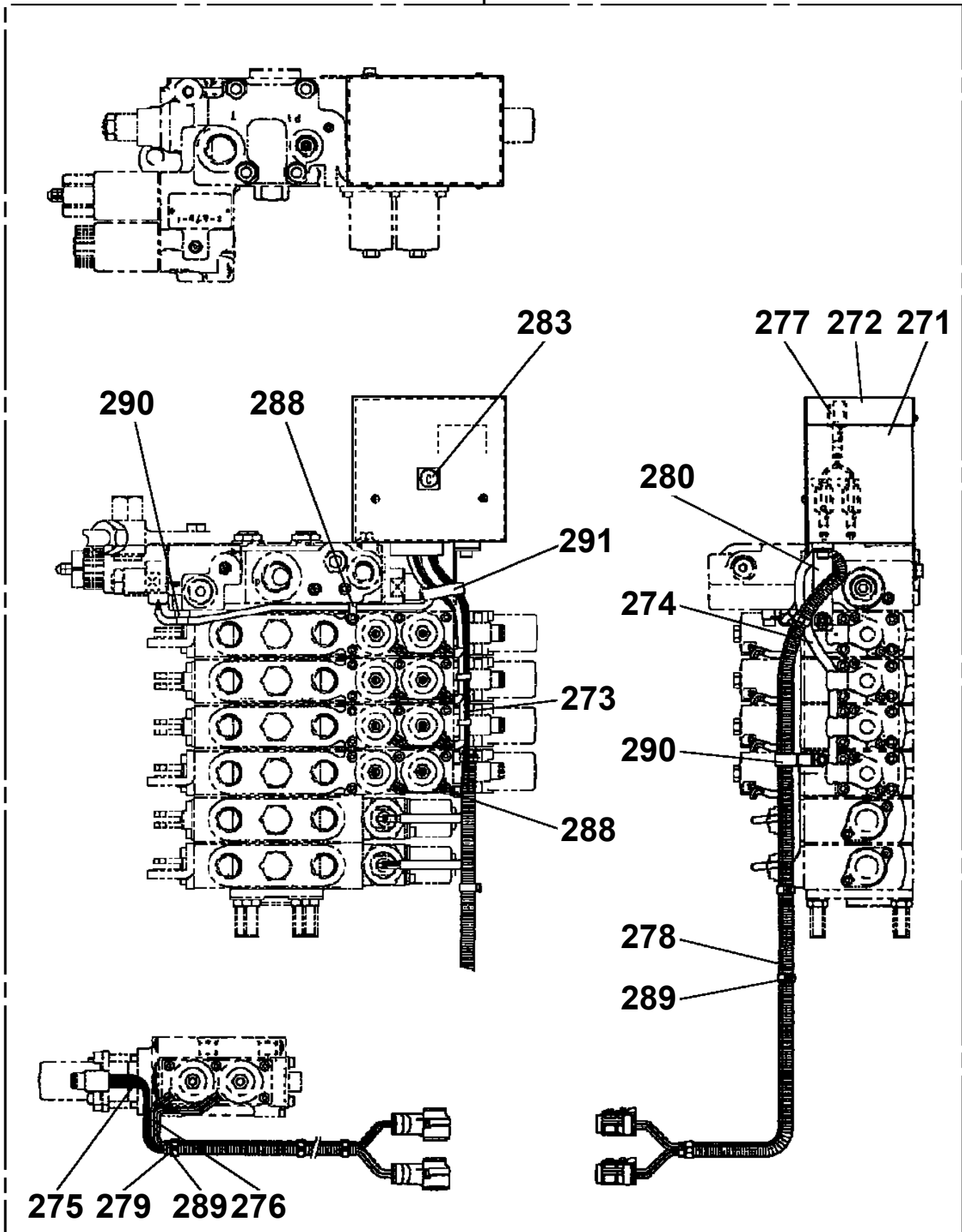
Pos No.	Parts No	Parts Name	Qty	Unit	Technical Data	Serial No (Start)	S
1	31495701100	PLATE,NAME (LOAD RADIUS)	1				
2	31495701200	PLATE,NAME (LOAD RADIUS)	1				
3	31495705300	PLATE,NAME(EMPTY CHASSIS RATED CAPACITY)	2				
4	31495703400	PLATE,NAME (RATED LIFTING CAPACITY)	1				
5	31392140130	INDICATOR	2				
6	90190000060	BOLT	2		M10X16		

TM-ZR500 31094010812A FRAME/STD,RADIO CONT.,HOOK-IN

Pos No.	Parts No	Parts Name	Qty	Unit	Technical Data	Serial No (Start)	Serial No (End)
2	31631807510	CASE (RING)	1				
4	31631807520	SPACER	1				
11	31631807530	CLAMP (CABLE)	1				
15	31631807540	O-RING	1				
16	31631807550	PACKING	1				
101	31631807560	HOLDER ASSY,BRUSH (WITH BRUSH)	1				
900	31631803000	RING ASSY,SLIP	1				

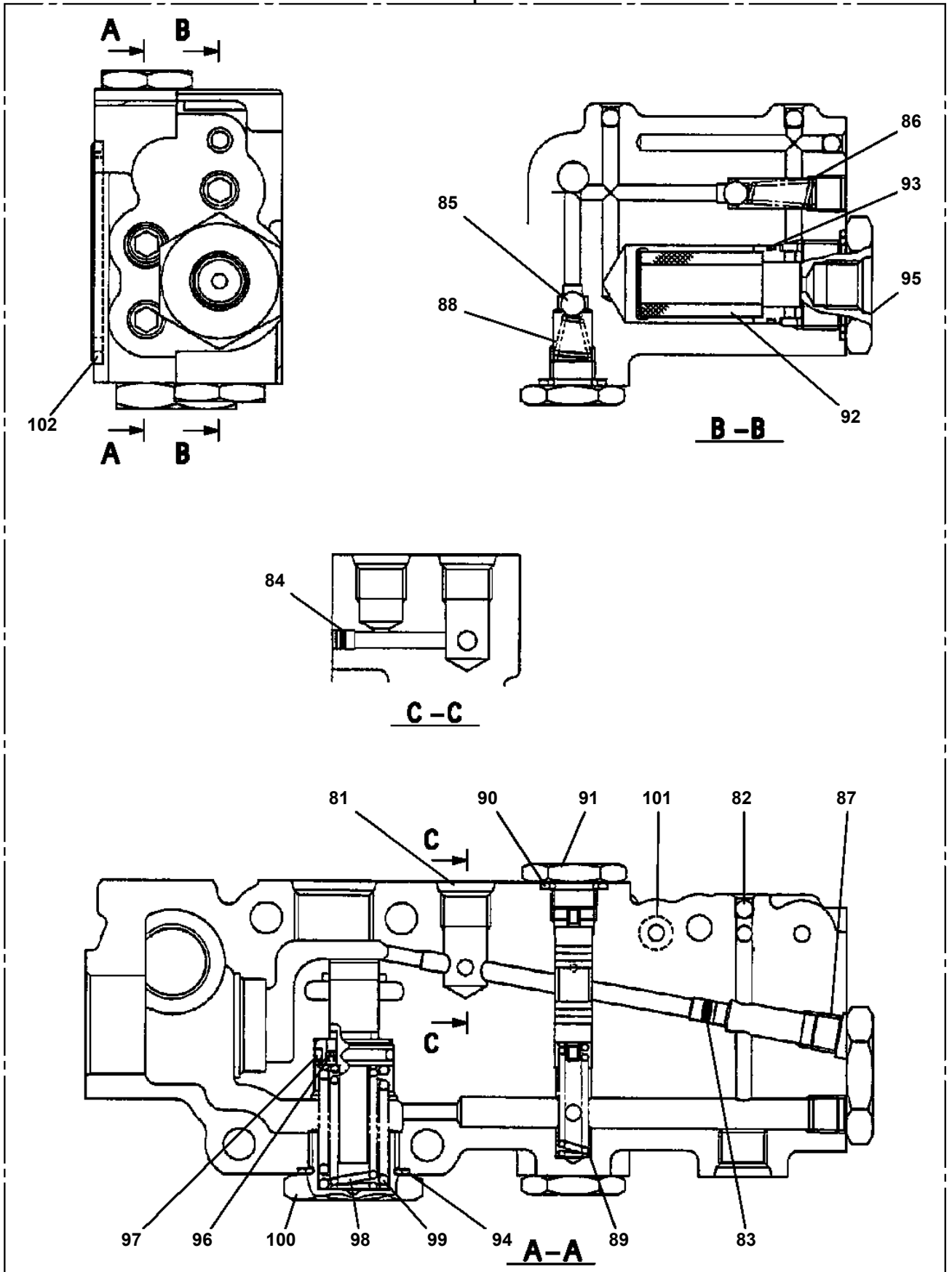
TM-ZR500 31094010812A FRAME/STD,RADIO CONT.,HOOK-IN
PV1020261-01 VALVE,REMOTE CONTROL (MAIN/NACHI)

300

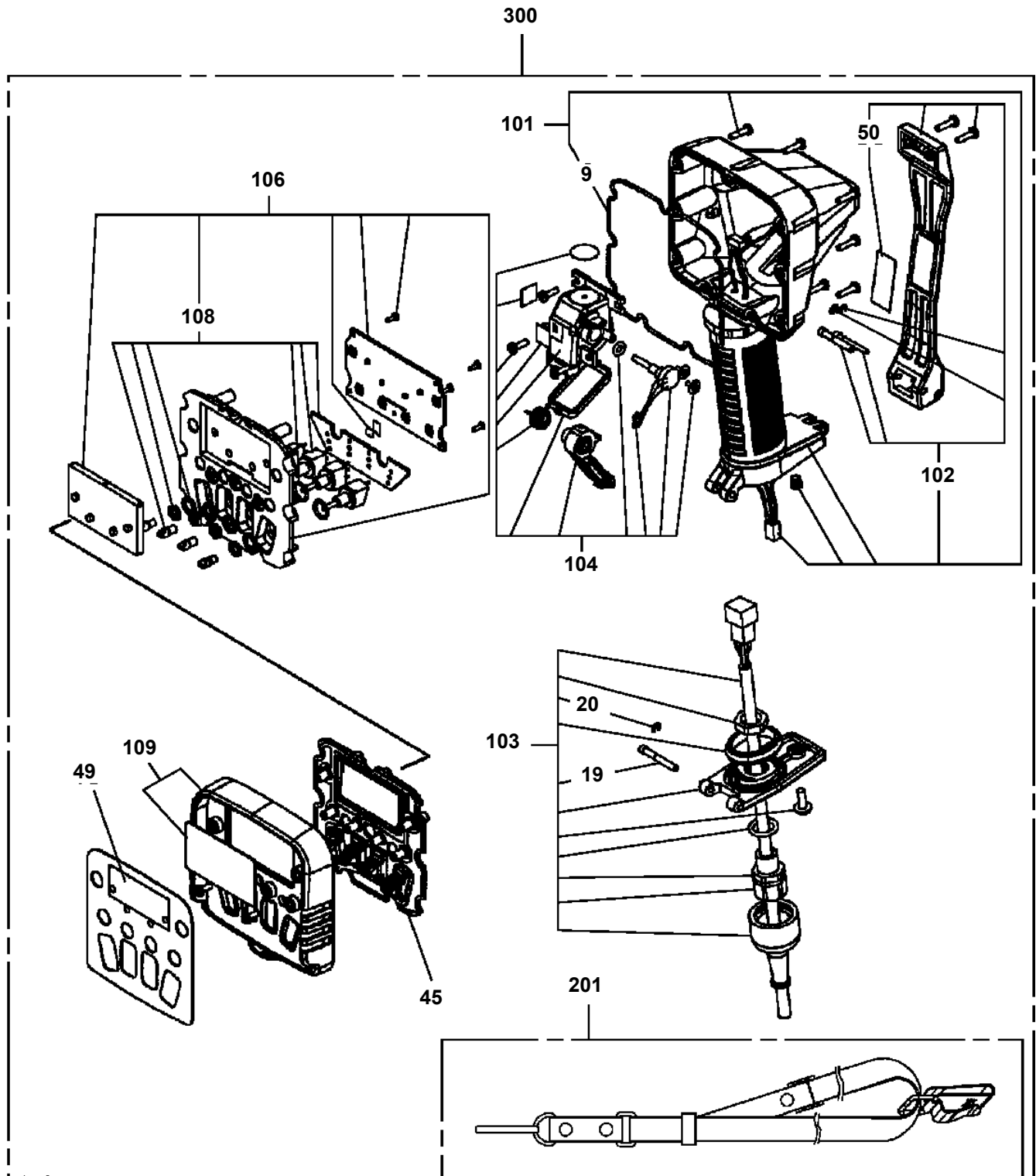


TM-ZR500 31094010812A FRAME/STD,RADIO CONT.,HOOK-IN
PV1020346-01 VALVE,REMOTE CONTROL

4



TM-ZR500 31094010812A FRAME/STD,RADIO CONT.,HOOK-IN
PV1030100-00 SWITCH BOX



注意

1. 本体分解時には、指示番号9の「Oリング (ケース)」を併せて注文ください。
2. お送りする「ラベル (コクイン)」には製造番号は印字されていないので記入してください。

NOTICE

1. When disassembling the main unit, order a key No. 9 「O-RING(CASE)」 beforehand.
2. Serial No.is not stamped on the 「 LABEL(SELIAL)」 before shipment. Fill in the blank by yourself.

TM-ZR500 31094010812A FRAME/STD,RADIO CONT.,HOOK-IN

Pos No.	Parts No	Parts Name	Qty	Unit	Technical Data	Serial No (Start)	Serial No (End)	F
1	36804911000	CONTROL UNIT	1					
	36804911001	CONTROL UNIT	1			EW5182	EW5181	
2	36805792000	ANTENNA (FOR RADIO CONTROL)	1					
3	36805993000	SWITCH BOX	1					
4	(*****)	ELEC.ASSY (ANTENNA)	1					
5	36804914000	BOX,STOWING	1					

CLICK HERE TO **DOWNLOAD** THE COMPLETE MANUAL

- Thank you very much for reading the preview of the manual.
- You can download the complete manual from: www.heydownloads.com by clicking the link below



- Please note: If there is no response to CLICKING the link, please download this PDF first and then click on it.

CLICK HERE TO **DOWNLOAD** THE COMPLETE MANUAL