

TM-ZR500 31094010760A FRAME/STD,RADIO CONT.,NABI HOOK
PB000040-02 SYSTEM (ZR500,DOMESTIC)
ASSEMBLY

CLICK HERE TO **DOWNLOAD** THE COMPLETE MANUAL

- Thank you very much for reading the preview of the manual.
- You can download the complete manual from: www.heydownloads.com by clicking the link below



- Please note: If there is no response to CLICKING the link, please download this PDF first and then click on it.

CLICK HERE TO **DOWNLOAD** THE COMPLETE MANUAL

TM-ZR500 31094010760A FRAME/STD,RADIO CONT.,NABI HOOK
PB1020011-00 PUMP ASSY (SELECTION)

- PUMP ASSY
- ポンプASSYの選定

指示番号 key No	PUMP MODEL ポンプ型式番号	RUNNING DIRECTION 回転方向
1	SGP2-44D2H9-L639	COUNTERCLOCKWISE 左
2	SGP2-36D2H9-L638	COUNTERCLOCKWISE 左

[NOTE]

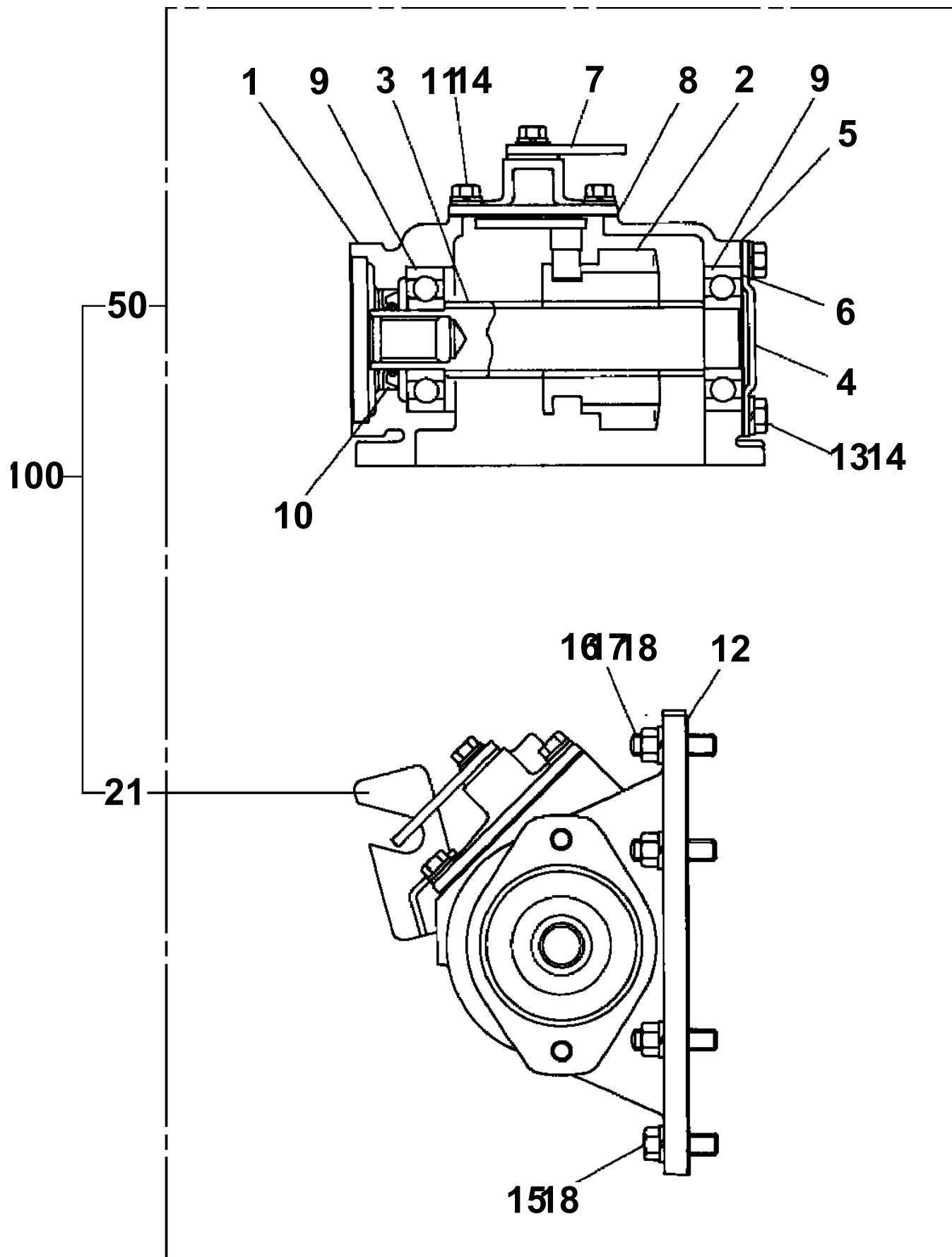
(1) PUMP MODEL NOS. ARE PUNCHED
ON PUMP NAMEPLATE.

(2) THE PUMP RUNNING DIRECTION
IS VIEWED FROM THE SHAFT
TOWARD THE PUMP.

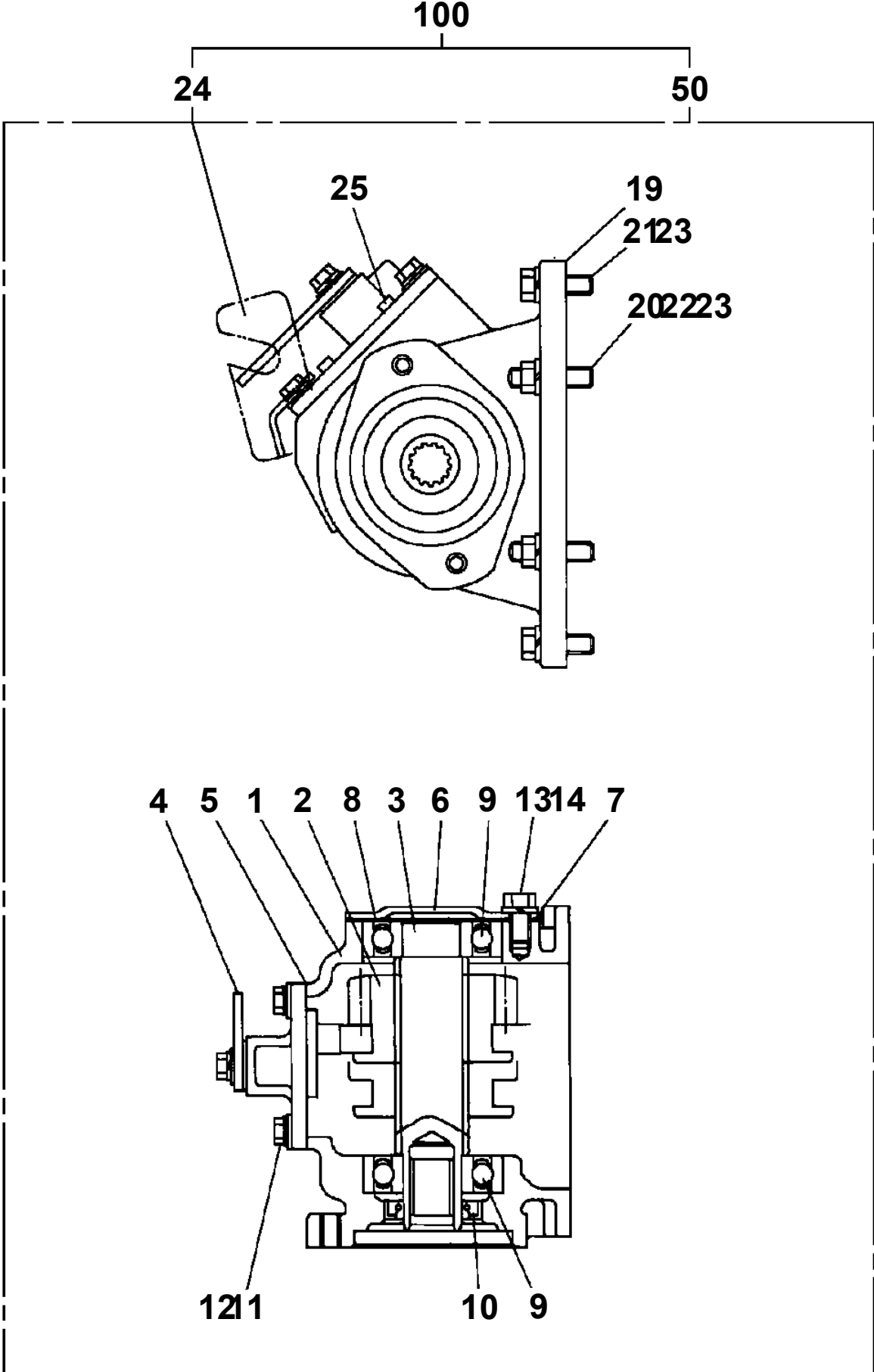
[注 意]

- (1) ポンプ型式番号はポンプ本体の銘板に打刻しています。
- (2) ポンプの回転方向はポンプの軸端から見ての回転方向です。

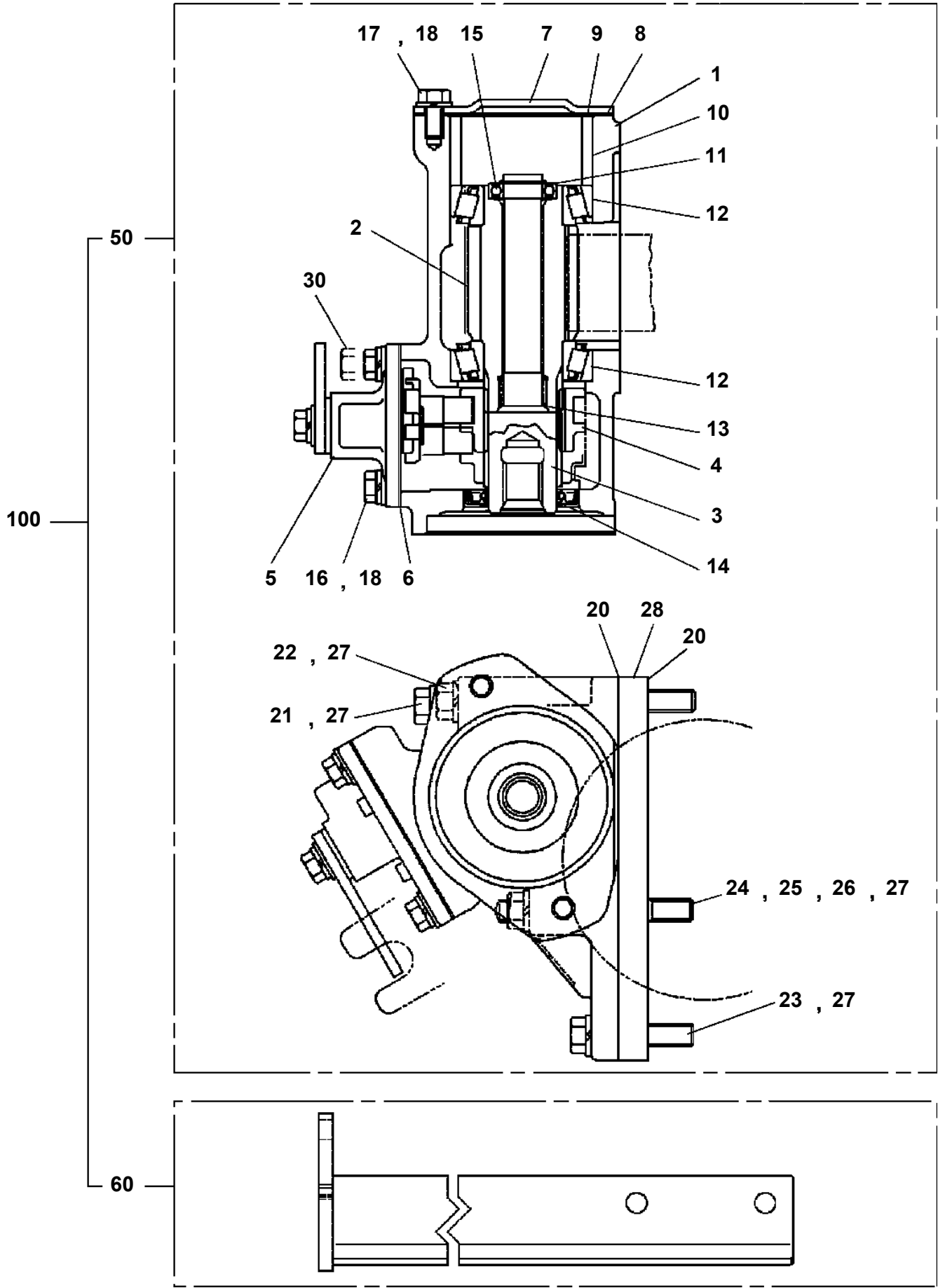
TM-ZR500 31094010760A FRAME/STD,RADIO CONT.,NABI HOOK
PB1030116-01 POWER TAKE OFF



TM-ZR500 31094010760A FRAME/STD,RADIO CONT.,NABI HOOK
PB1030141-01 POWER TAKE OFF



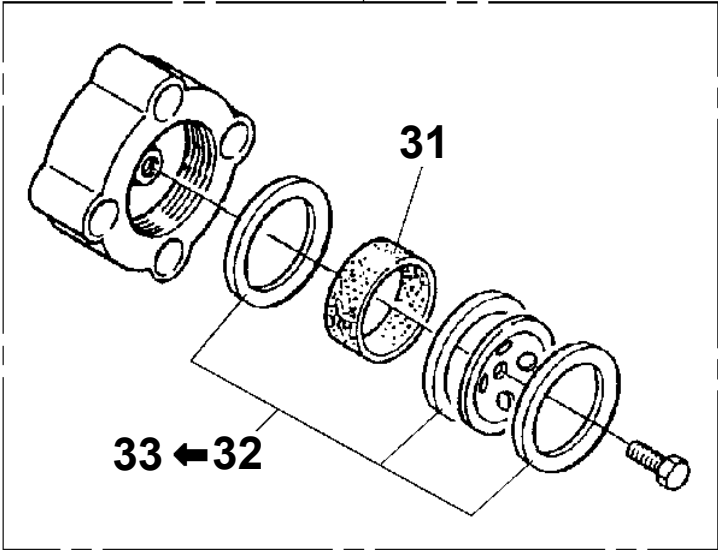
TM-ZR500 31094010760A FRAME/STD,RADIO CONT.,NABI HOOK
PB1030234-01 POWER TAKE OFF



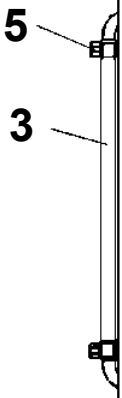
TM-ZR500 31094010760A FRAME/STD,RADIO CONT.,NABI HOOK
PB1130162-01 TANK,OIL

50

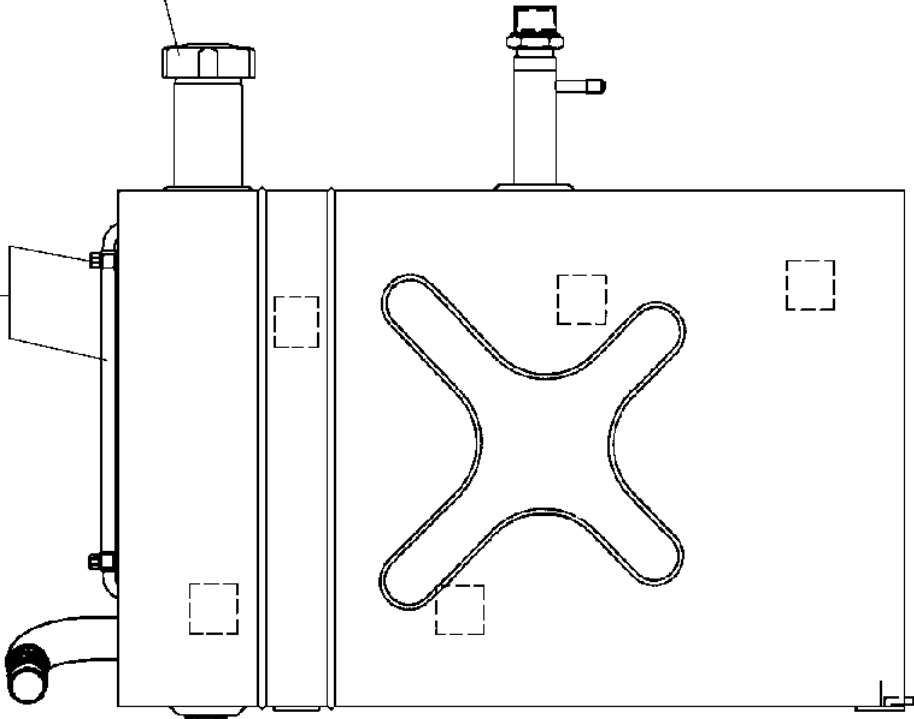
2



2



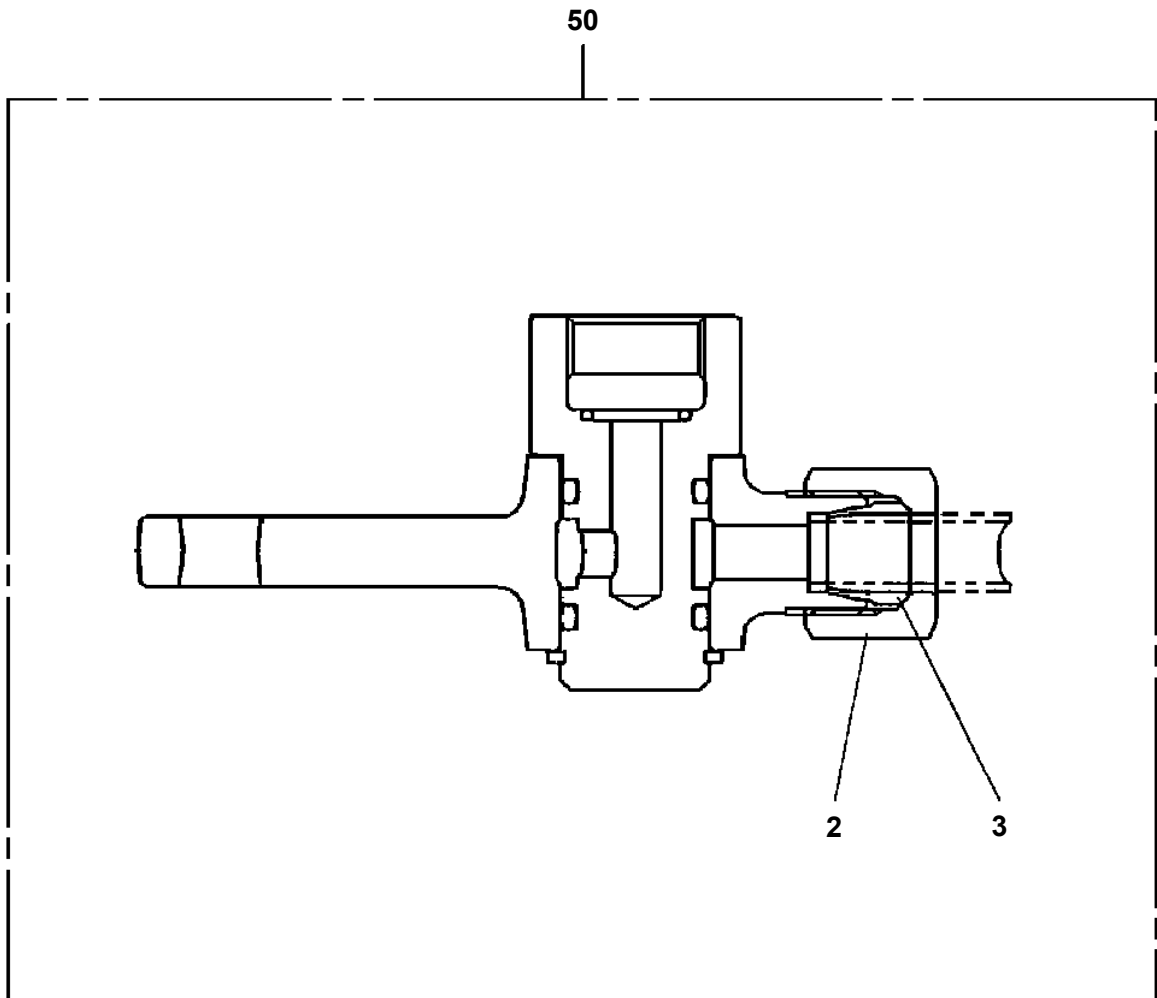
20



10

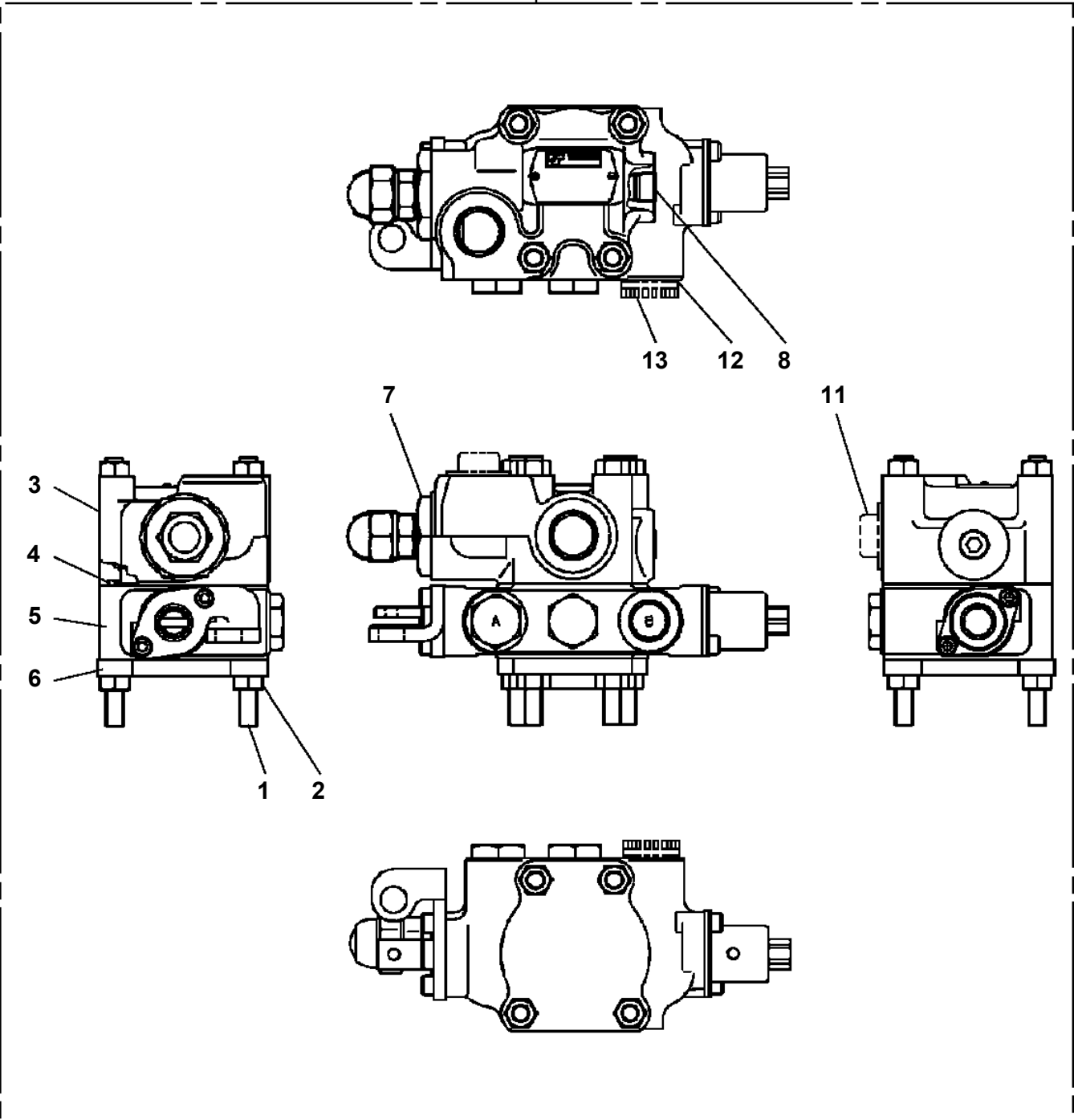
4

TM-ZR500 31094010760A FRAME/STD,RADIO CONT.,NABI HOOK
PB1300315-01 JOINT,ROTARY



TM-ZR500 31094010760A FRAME/STD,RADIO CONT.,NABI HOOK
PB1320624-00 VALVE,MANUAL CONTROL

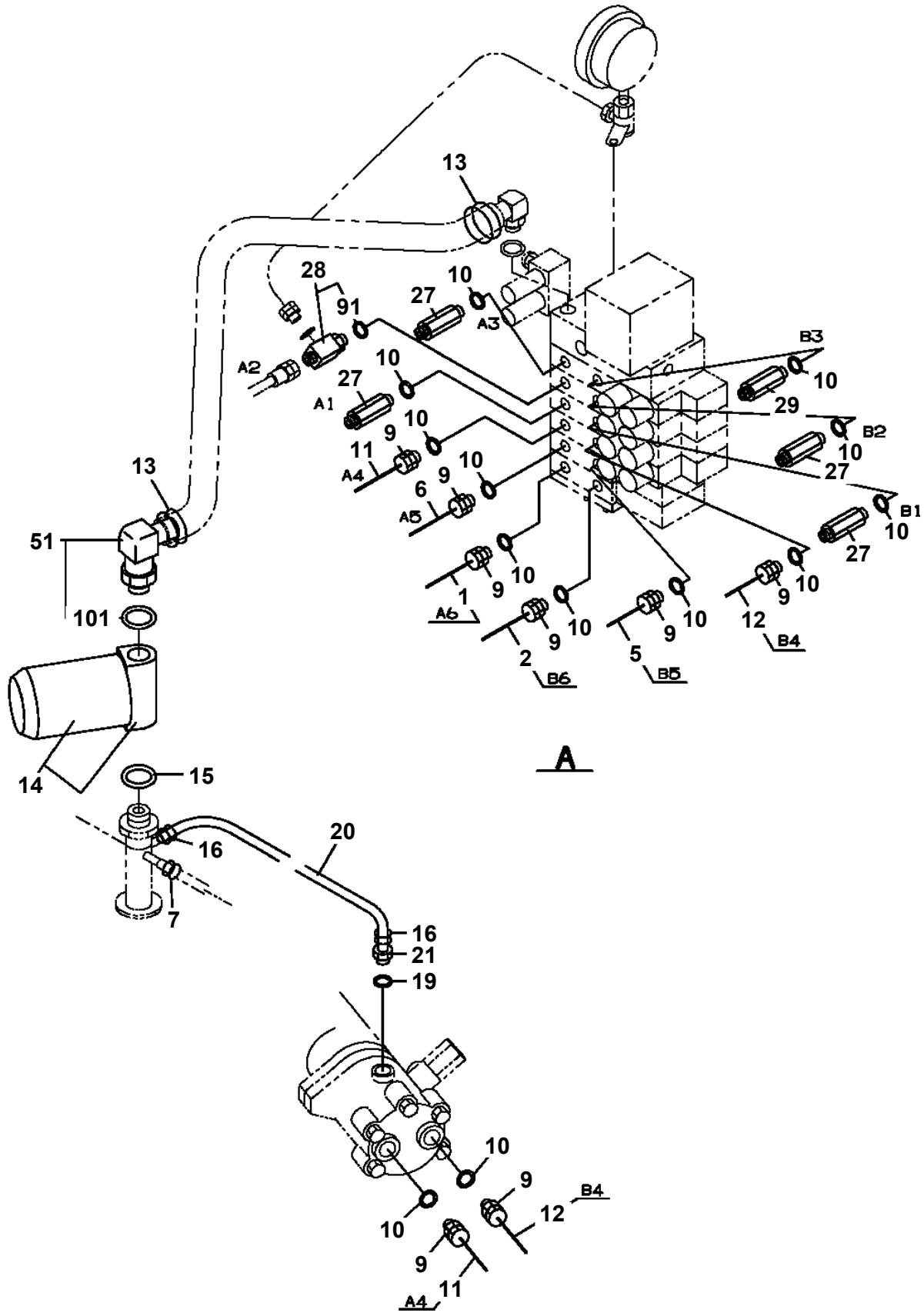
500



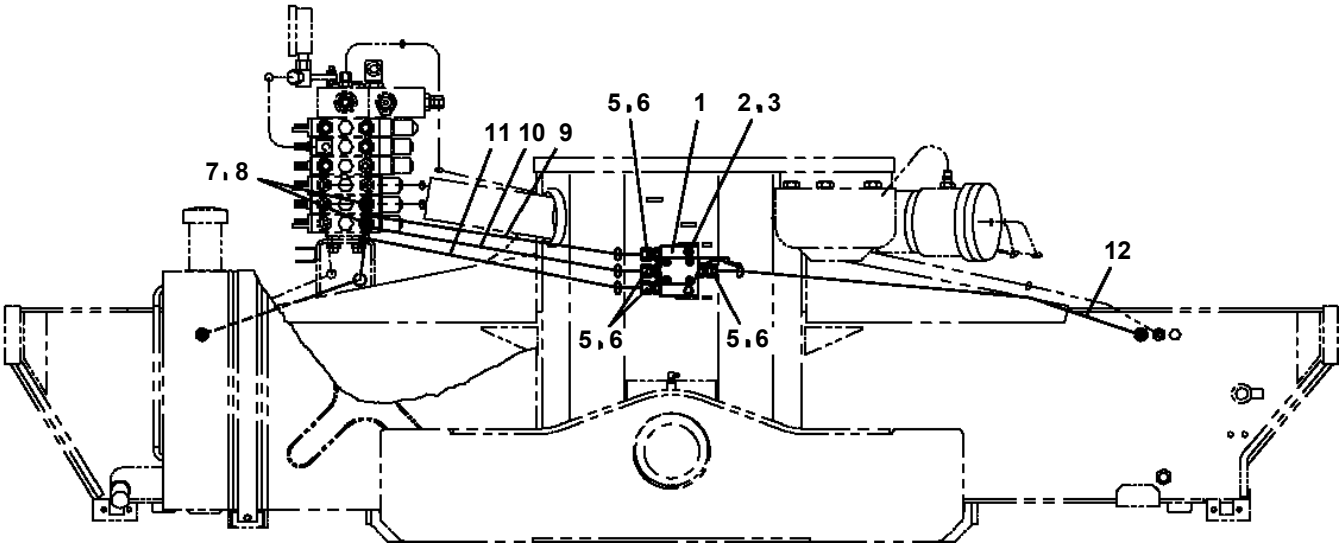
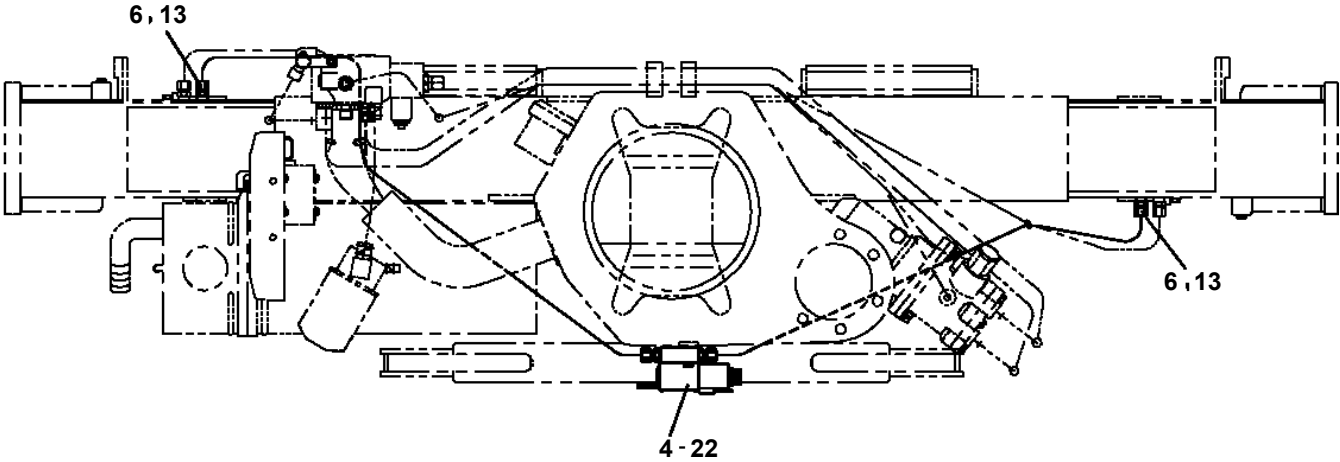
TM-ZR500 31094010760A FRAME/STD,RADIO CONT.,NABI HOOK

Pos No.	Parts No	Parts Name	Qty	Unit	Technical Data	Serial No (Start)	Serial No (End)	Rem
1	31611617510	ADAPTER ASSY	1					
6	36672985050	COUPLING	1					
7	36654275010	MOTOR ASSY	1					
12	44550417820	TANK	1					
14	31611617540	CAP (OIL FILLER)	1					
16	44550417840	CLAMP	2					
17	36672985020	BOLT,HEXAGON SOCKET	4		M6X16			
18	44550417860	GASKET (WITH O-RING)	1					
30	31611617550	VALVE ASSY	1					
31	31611617560	VALVE,SOLENOID	2					
34	31611617570	MANIFOLD	1					
36	31611617580	O-RING	2					
71	36654275020	CONTACTOR	1					
96	36672985010	PLUG	2					
100	36672980001	POWER SUPPLY (REAR JACK)	1					

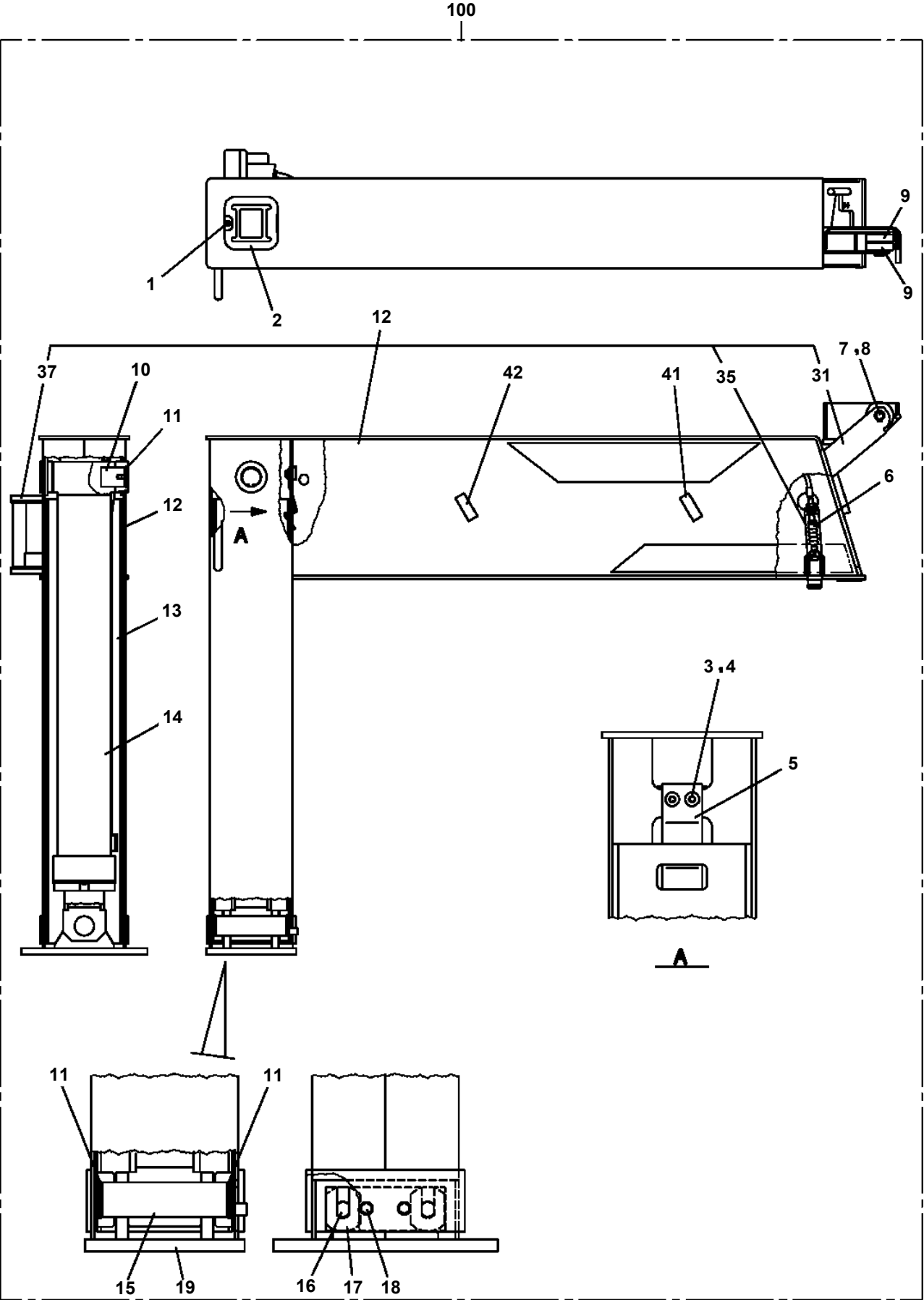
TM-ZR500 31094010760A FRAME/STD,RADIO CONT.,NABI HOOK
PB1411456-00 PIPING,LOWER



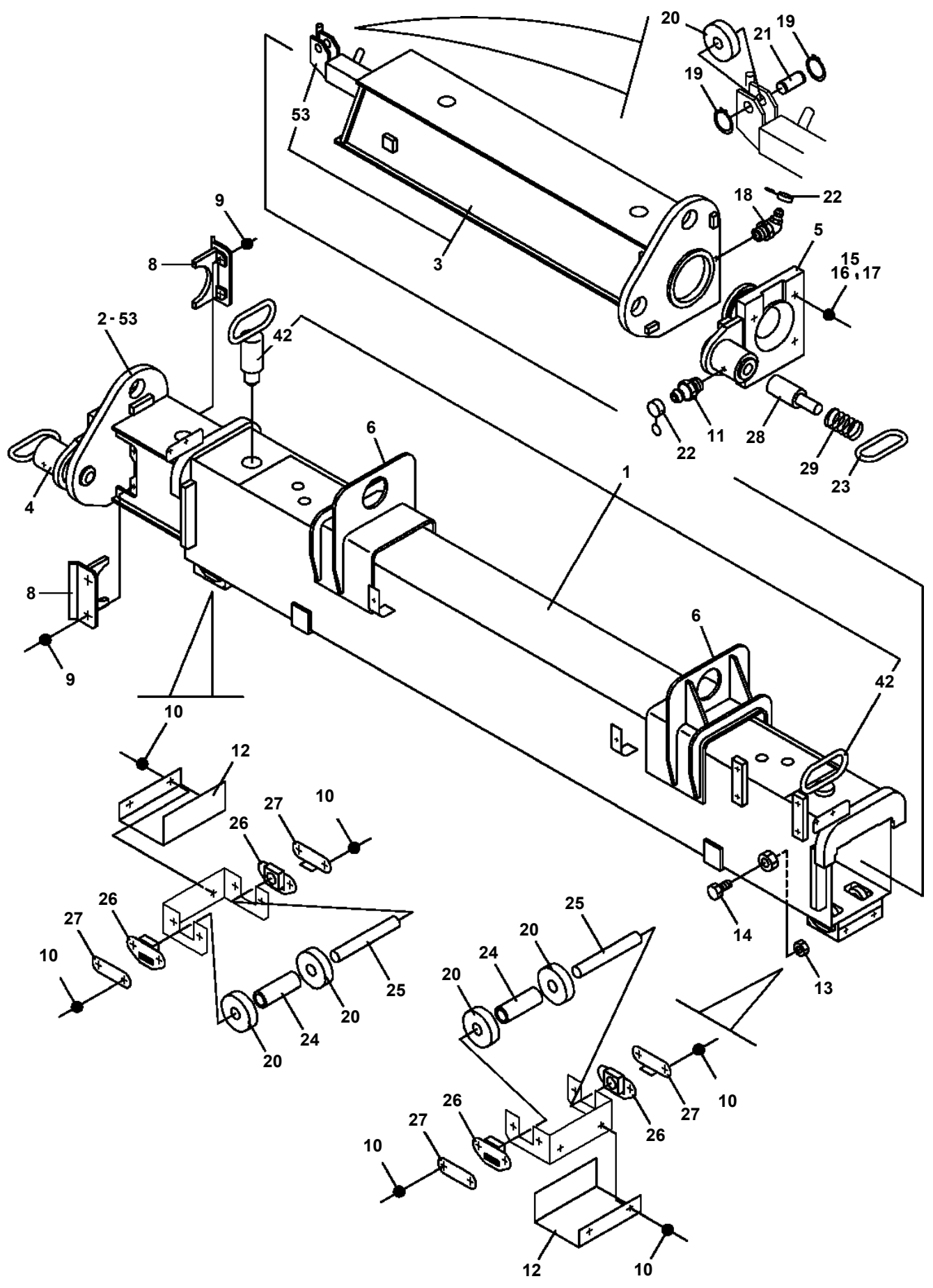
TM-ZR500 31094010760A FRAME/STD,RADIO CONT.,NABI HOOK
PB1411746-00 PIPING,LOWER



TM-ZR500 31094010760A FRAME/STD,RADIO CONT.,NABI HOOK
PC1010807-00 OUTRIGGER



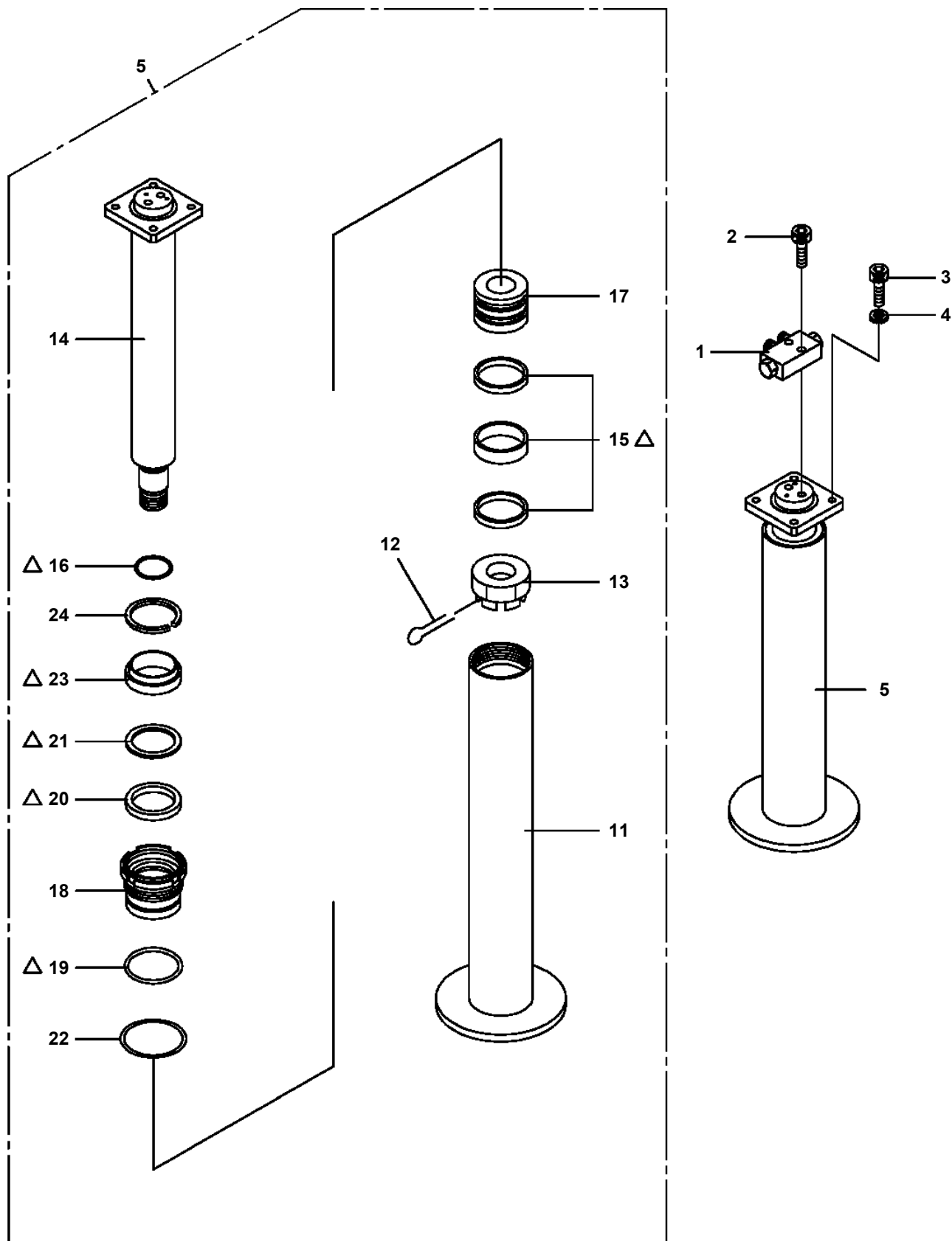
TM-ZR500 31094010760A FRAME/STD,RADIO CONT.,NABI HOOK
PC1020003-00 OUTRIGGER,REAR (FRAME)



TM-ZR500 31094010760A FRAME/STD,RADIO CONT.,NABI HOOK
PC1020054-00 OUTRIGGER,REAR (ROTARY/LOW TRUK BED)

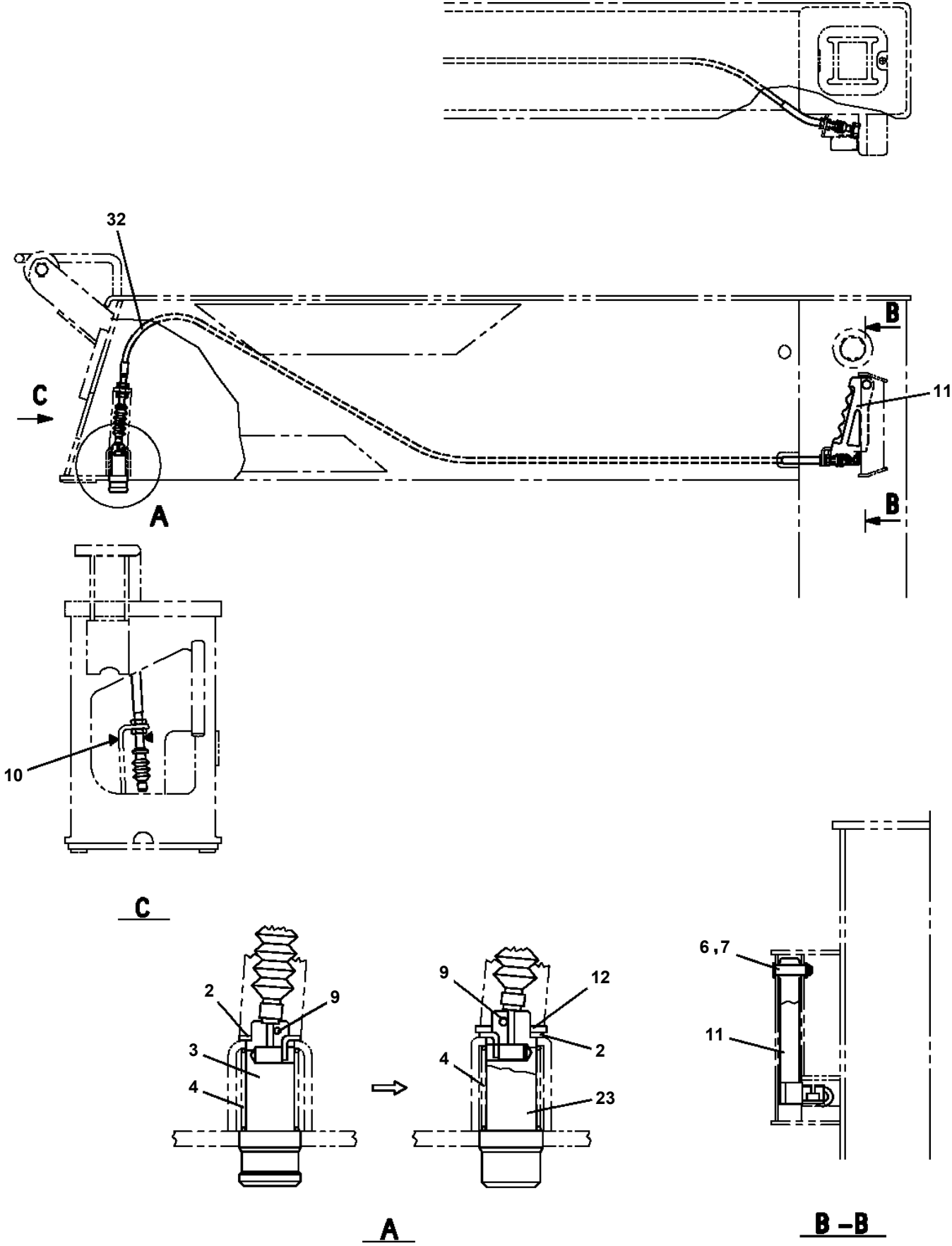
1	アウトリガ ,リヤ OUTRIGGER,REAR
2	ハイセンASSY ELEC.ASSY
3	パイピング ,リヤ ジャッキ PIPING,REAR JACK
4	プレートASSY,ネーム PLATE ASSY,NAME

**TM-ZR500 31094010760A FRAME/STD,RADIO CONT.,NABI HOOK
PC1030126-01 CYLINDER,JACK (REAR/STROKE 330MM)**



△:PACKING SET KEY NO.30 (KEY NO.15,16,19,20,21,23)

TM-ZR500 31094010760A FRAME/STD,RADIO CONT.,NABI HOOK
PC1100159-07 OPE.ASSY,OUTRIGGER



TM-ZR500 31094010760A FRAME/STD,RADIO CONT.,NABI HOOK

Pos No.	Parts No	Parts Name	Qty	Unit	Technical Data	Serial No (Start)	Serial No (End)
1	80400160203	JOINT (WITH O-RING)	1				
2	80400160182	JOINT (WITH O-RING)	2				
3	91803600400	CLIP	2		D=27-40		
4	37002512560	HOSE	1		L=1640		
5	37002450920	HOSE	1		L=1700		
6	91810130270	FASTENER	4				
7	36635620000	VALVE,MANUAL CONTROL (REAR OUTRIGGER)	1				
8	80430620800	JOINT	1				
9	90101208025	BOLT	3		M8X25		
10	90302040801	WASHER,SPRING	3		8		
11	80491303030	JOINT (WITH O-RING)	2		L,PF3/8-PF3/8		
12	80481103030	JOINT	2		L,G3/8-G3/8		
13	91002801400	O-RING	2		1B P14		
14	37000924110	JOINT	2		S,G1/2-G1/2		
15	80481004042	JOINT	1				
16	91002801800	O-RING	3		1B P18		
17	37002447870	HOSE	4		L=980		
18	80320512020	FITTING	4				
19	81408000160	PIPE,STEEL	4	M	12X1.4T		
20	80301140100	FITTING	4				
21	80321010080	JOINT	4				
22	37002441220	HOSE	4		L=940		
23	31642951100	COVER	1				
24	31622044100	CLAMP ASSY	1				
25	31644140200	SUPPORT	1				
26	37000703670	CLAMP ASSY	7				
27	31641772800	CLAMP ASSY	1				
41	91002802900	O-RING	1		1B P29		
51	91002801800	O-RING	3		1B P18		
61	91002801400	O-RING	2		1B P14		

TM-ZR500 31094010760A FRAME/STD,RADIO CONT.,NABI HOOK

Pos No.	Parts No	Parts Name	Qty	Unit	Technical Data	Serial No (Start)	Serial No (End)
1	36034780100	CYLINDER	1				
2	36037390100	PISTON	1				
3	91002903500	O-RING	1		1B G35		
5	36032710200	COVER,ROD	1				
6	91002908000	O-RING	1		1B G80		
7	91694007001	PACKING	1				
8	91410207001	RING,BACKUP	1				
9	91660007001	SEAL,DUST	1				
10	36034780300	ROD	1				
11	91350308501	PACKING ASSY (PACKING X2+BACKUP RING X2)	1				
12	91332208500	BEARING,PLAIN	1				
30	36037359900	PACKING SET	1		70X85		
100	36037410000	CYLINDER ASSY,JACK	1				

TM-ZR500 31094010760A FRAME/STD,RADIO CONT.,NABI HOOK

Pos No.	Parts No	Parts Name	Qty	Unit	Technical Data	Serial No (Start)	Serial No (End)	Remarks
1	36081325090	RING,SNAP	1					
2	36081325010	SPACER	1					
3	36081325080	SHIM SET	1					
4	36081325110	BEARING,TAPER ROLLER	1					
5	36081385010	WORM	1					
6	36072725350	BEARING,TAPER ROLLER	1					
7	36080755040	GAUGE,OIL	1					
8	36080235080	WASHER,SEAL	1		M16			
9	80316090060	PLUG	1		KKT PT3/8			
12	91206070002	SEAL,OIL	1					
13	36081385040	CASE,GEAR	1					
14	36081385100	BEARING,BALL	1					
15	36081385110	BEARING,BALL	1					
16	90171110030	BOLT	8		M10X30			
17	36081385050	WHEEL,WORM	1					
18	36081385060	CASE,GEAR	1					
19	80500006211	BEARING,BALL	1					
20	80561100110	NUT	1		AN11			
21	36080015000	PIN	2					
22	82400000478	BREATHER	1					
23	36081385070	KEY	1					
26	36081385080	WASHER	8					
31	36081385500	GEAR,SPUR	1					
50	36081380000	REDUCER,SWING SPEED	1					

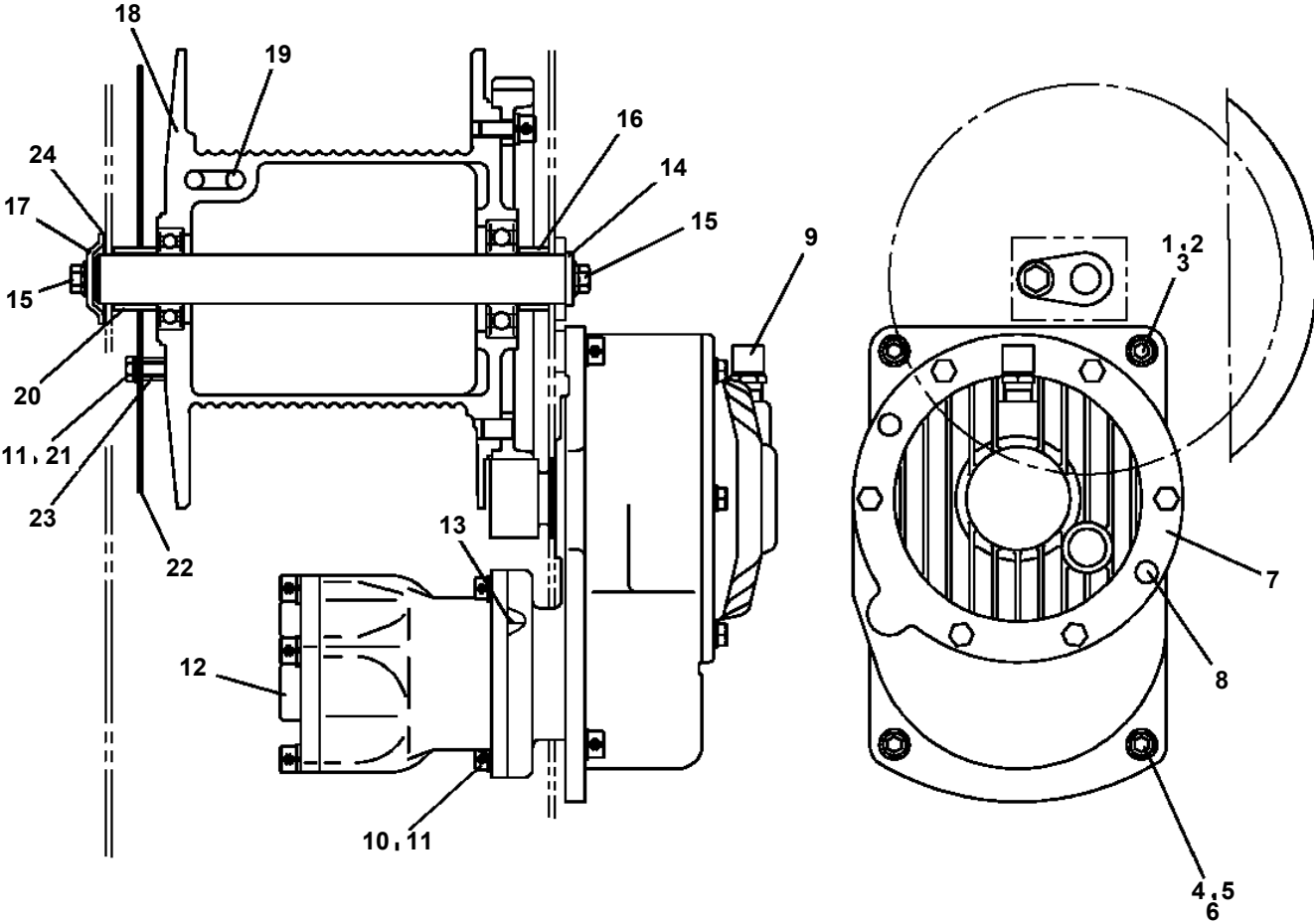
TM-ZR500 31094010760A FRAME/STD,RADIO CONT.,NABI HOOK

Pos No.	Parts No	Parts Name	Qty	Unit	Technical Data	Serial No (Start)	Serial No (End)
1	90171110040	BOLT	2		M10X40		
2	90302041001	WASHER,SPRING	2		10		
3	36605180001	VALVE,COUNTERBALANCE	1				
4	36026220000	CYLINDER,ELEVATING	1				
5	82400000459	CAP	2				
11	82456101000	NIPPLE,GREASE	2		A-PT1/8		
12	37000403110	BEARING,PLAIN	4				
13	36026221000	PISTON	1				
14	91350216000	BEARING,PLAIN (WITH PACKINGX2)	1				
15	91002910500	O-RING	1		1B G105		
16	36026229510	CYLINDER ASSY	1				
17	36026229520	ROD ASSY	1				
18	37000403900	BEARING,PLAIN	1				
19	91002915000	O-RING	1		1B G150		
20	36026469530	COVER,ROD	1				
21	91694111000	PACKING	1				
22	91410211002	RING,BACKUP	1				
23	91660011000	SEAL,DUST	1				
24	80622001100	RING,RITAINING	1		SP110		
25	80612111180	RING,RITAINING	1		AR118		
30	36026229900	PACKING SET	1		110X160		
100	31241060000	CYLINDER,ELEVATING	1				

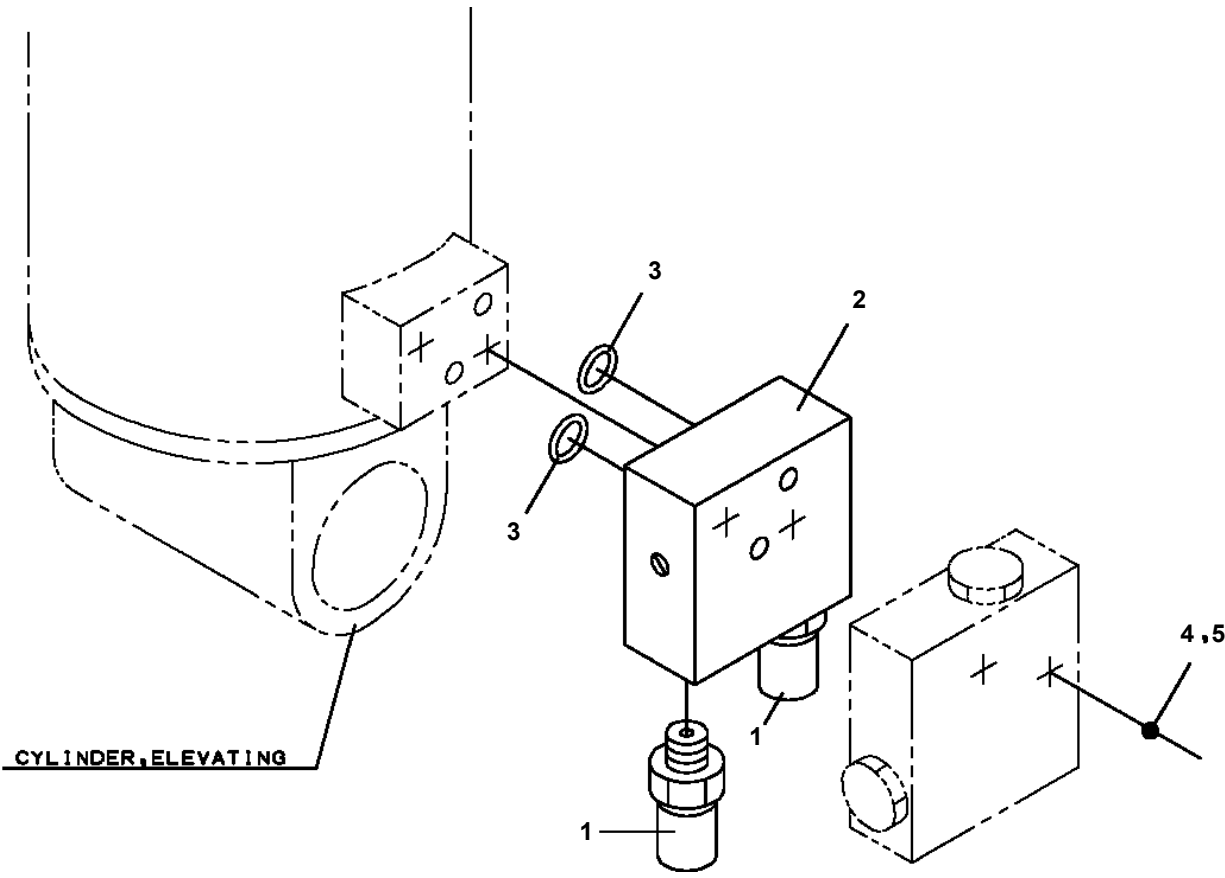
TM-ZR500 31094010760A FRAME/STD,RADIO CONT.,NABI HOOK

Pos No.	Parts No	Parts Name	Qty	Unit	Technical Data	Serial No (Start)	Serial No (End)	Remark
1	31505222100	ALARM ASSY (ASSY ONLY)	1				PA2302	
	31505222101	ALARM ASSY (ASSY ONLY)	1			PA2303		
2	31475352100	PLATE,NAME	1					
3	31477472200	RELAY ASSY	1					
4	31380174000	LAMP ASSY (ASSY ONLY)	1					
5	82100000191	TERMINAL	3					
6	82100000183	INSULATOR	3					
7	91810130240	FASTENER	10					
8	82115001002	CONNECTOR	9					
9	82100001400	TERMINAL	7					
10	31476362700	PLATE,CAUTION	1					
11	31380292600	SUPPORT	1					
12	80172305020	SCREW,MACHINE	2		M5X20			
13	90302040501	WASHER,SPRING	2		5			
14	90303070501	WASHER,PLAIN	2		5			
15	31477472300	HARNESS	1		L=1000			
16	82100001220	INSULATOR	7					
17	31504322200	RELAY ASSY	1					
18	31475982400	DIODE ASSY	1					
19	90928040101	SCREW,TAPPING	3		M4X10			
20	82115001005	CONNECTOR	9					
21	31476364000	RELAY ASSY	2					

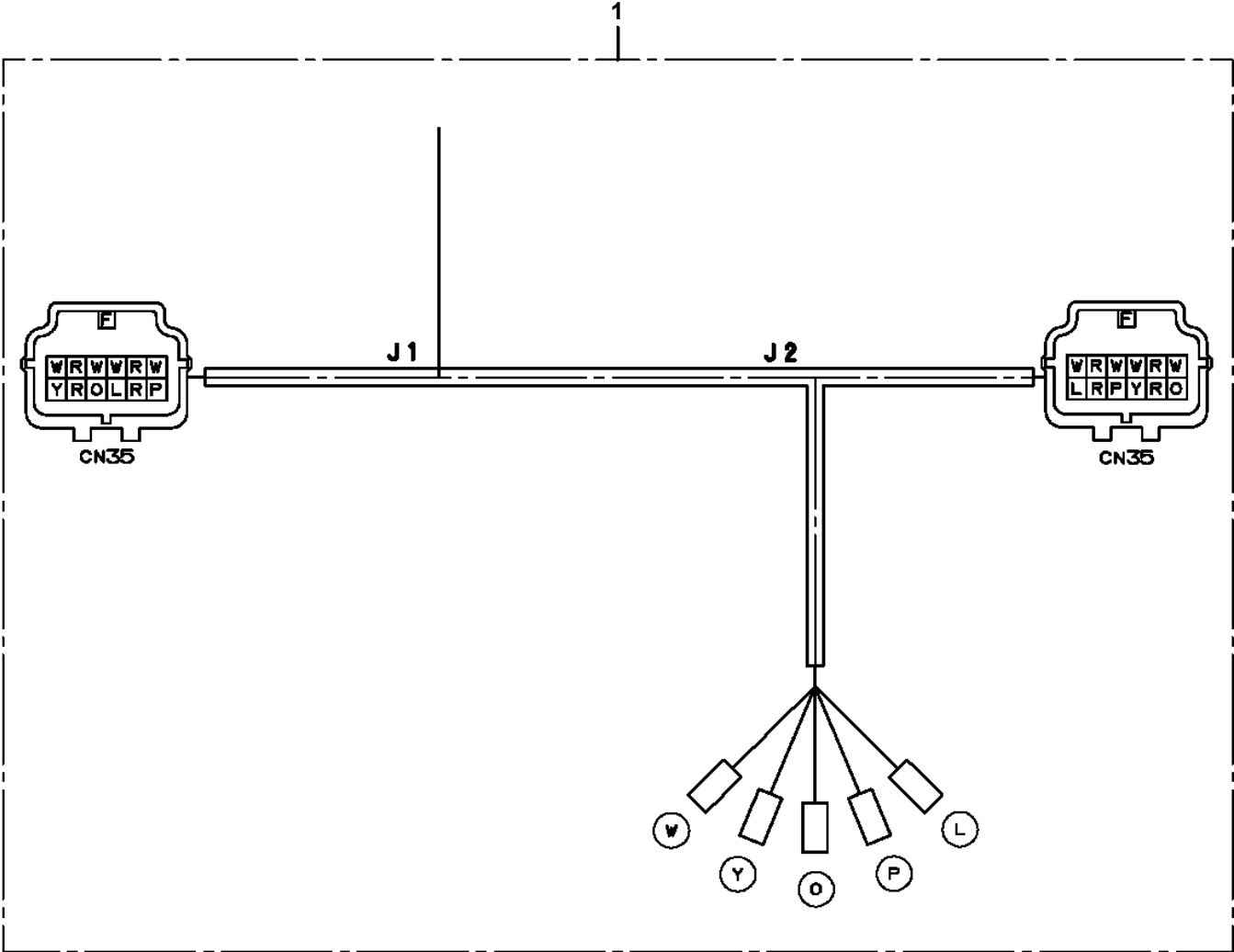
TM-ZR500 31094010760A FRAME/STD,RADIO CONT.,NABI HOOK
PF1400363-00 MOUNT,WINCH



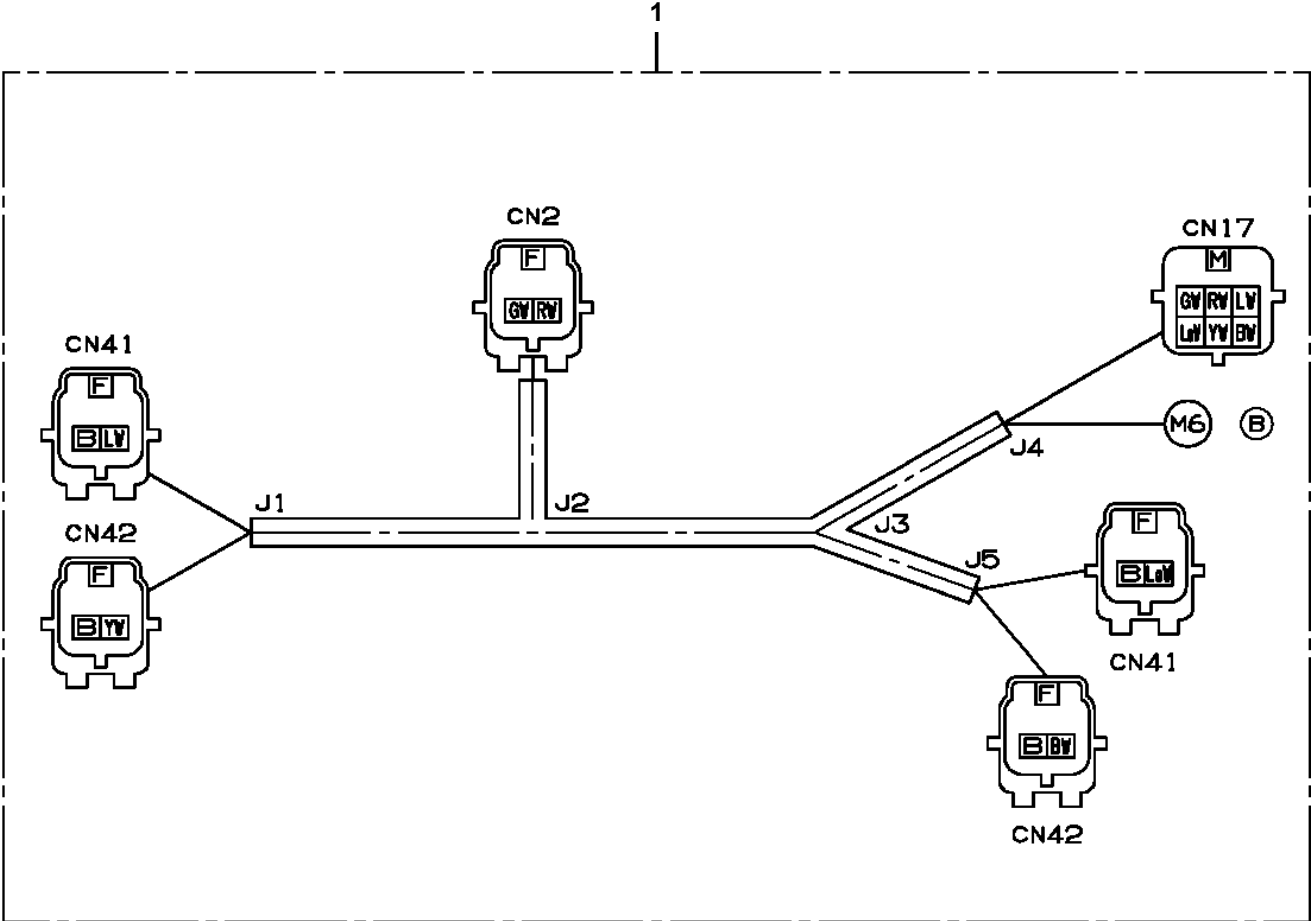
**TM-ZR500 31094010760A FRAME/STD,RADIO CONT.,NABI HOOK
PH1010012-01 DETECTOR,LOAD (BML,ELEVATING CYL.)**



TM-ZR500 31094010760A FRAME/STD,RADIO CONT.,NABI HOOK
PH5031732-00 HARNESS



TM-ZR500 31094010760A FRAME/STD,RADIO CONT.,NABI HOOK
PH5033625-00 HARNESS



TM-ZR500 31094010760A FRAME/STD,RADIO CONT.,NABI HOOK

Pos No.	Parts No	Parts Name	Qty	Unit	Technical Data	Serial No (Start)	Serial No (End)	Remarks
1	36663955010	SHAFT	1					
2	80500006206	BEARING,BALL	1					
4	91001206500	O-RING	1		1A G65			
5	36660025021	COVER (OIL SEAL)	1					
6	36660025140	SEAL,OIL	1					
7	36663485110	RING,RETAINING	1		R72			
8	36663955020	PLATE,THRUST	1					
9	36663955030	BARREL ASSY (CYLINDER)	1					
10	36663955040	PLATE (VALVE)	1					
11	36661925030	COVER (BOTTOM)	1					
12	80500006203	BEARING,BALL	1					
13	36662355110	PIN	2					
14	36663955050	O-RING	1					
15	36663955060	BOLT	6		M10X35			
16	14125151020	KEY	1					
17	36660125060	PLUG	2		PF3/8			
18	36081315130	PROTECTOR (THREAD)	2					
19	91001102201	O-RING	1		1A P22A			
21	36663955070	PISTON (LOCK)	1					
22	91001101800	O-RING	1		1A P18			
23	91410001800	RING,BACKUP	1		P18			
24	36663955080	SPRING (LOCK)	1					
25	36663955090	CAP (LOCK)	1					
44	36660025100	SPRING (PLUNGER)	5					
45	14125151300	RING,RETAINING	1					
46	12645103171	SPRING (CENTER)	1					
200	36663950000	MOTOR,HYDRAULIC	1					

TM-ZR500 31094010760A FRAME/STD,RADIO CONT.,NABI HOOK

Pos No.	Parts No	Parts Name	Qty	Unit	Technical Data	Serial No (Start)	Serial No (End)	Remarks	Pa
2	91002801400	O-RING	2		1B P14				
6	91002800700	O-RING	1		1B P7				
50	36623930000	VALVE,PILOT CHECK	1						

TM-ZR500 31094010760A FRAME/STD,RADIO CONT.,NABI HOOK

Pos No.	Parts No	Parts Name	Qty	Unit	Technical Data	Serial No (Start)	Serial No (End)	Re
1	(*****)	MOUNT (PLATE/VALVE,SOLENOID)	1					
2	(*****)	PIPING,LOWER	1					
3	(*****)	ELEC.ASSY	1					

TM-ZR500 31094010760A FRAME/STD,RADIO CONT.,NABI HOOK

Pos No.	Parts No	Parts Name	Qty	Unit	Technical Data	Serial No (Start)	Serial No (End)	Remarks	Pages
1	31231269510	POST	1						
2	37000177540	PIN	1						
3	80136363080	PIN,SPLIT	1		6.3X80				
4	37000177520	PIN	1						
5	31230622500	COVER	1						
6	31630302000	PLATE	1		T=1.5				
7	90101210016	BOLT	2		M10X16				
8	31231280200	COVER	1						
9	90186208010	BOLT,FLANGE	7		M8X10				
10	82458102000	NIPPLE,GREASE	1		B-PT1/8				
11	82400000459	CAP	1						
12	31230883000	COVER (IRON)	1						
	31230883500	COVER (PLASTIC)	1						
13	31630482000	PLATE	1						
15	90451700100	SCREW,TAPPING	4		M4X6.4				
31	31230580220	SUPPORT	2						

CLICK HERE TO **DOWNLOAD** THE COMPLETE MANUAL

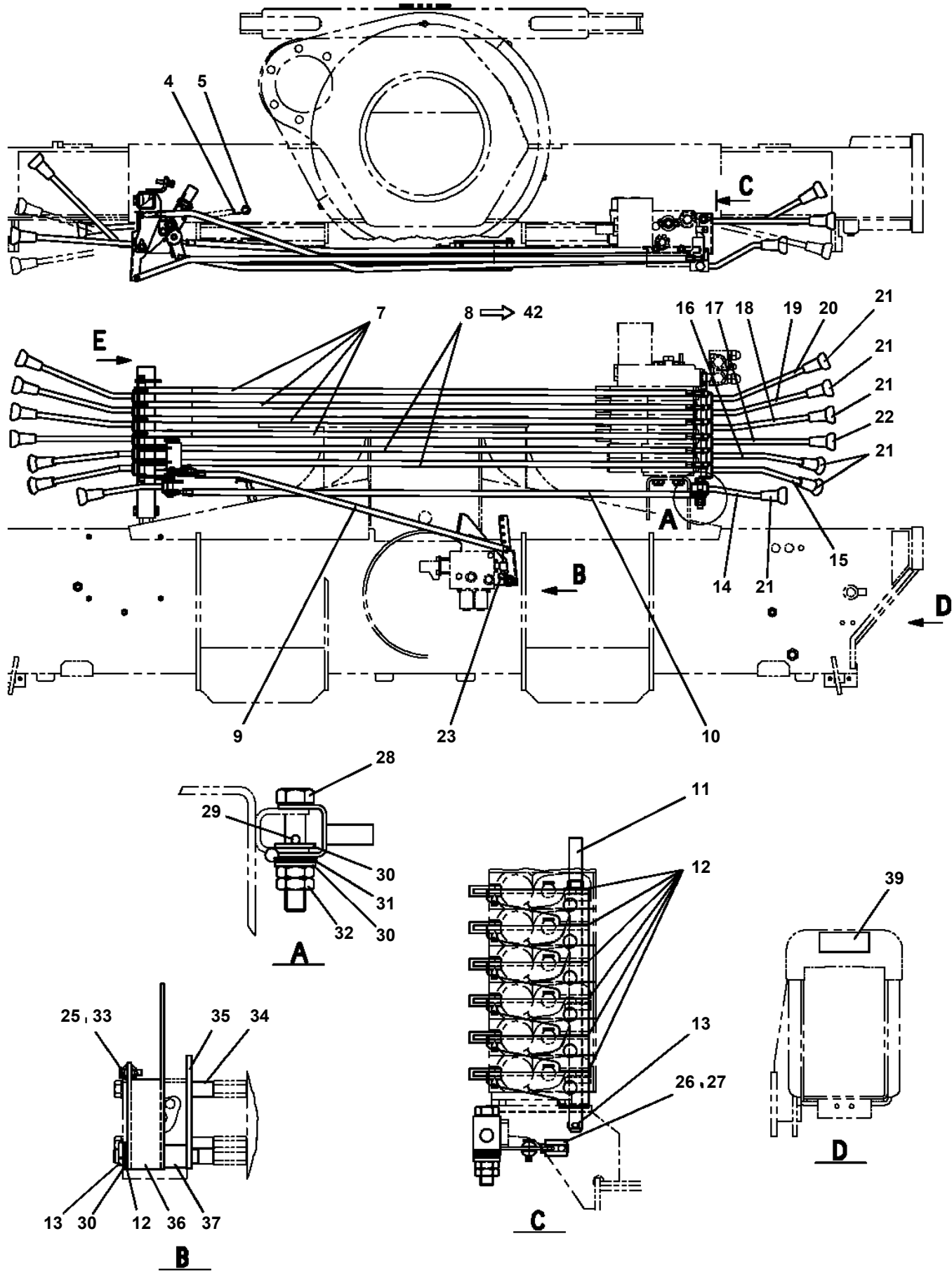
- Thank you very much for reading the preview of the manual.
- You can download the complete manual from: www.heydownloads.com by clicking the link below



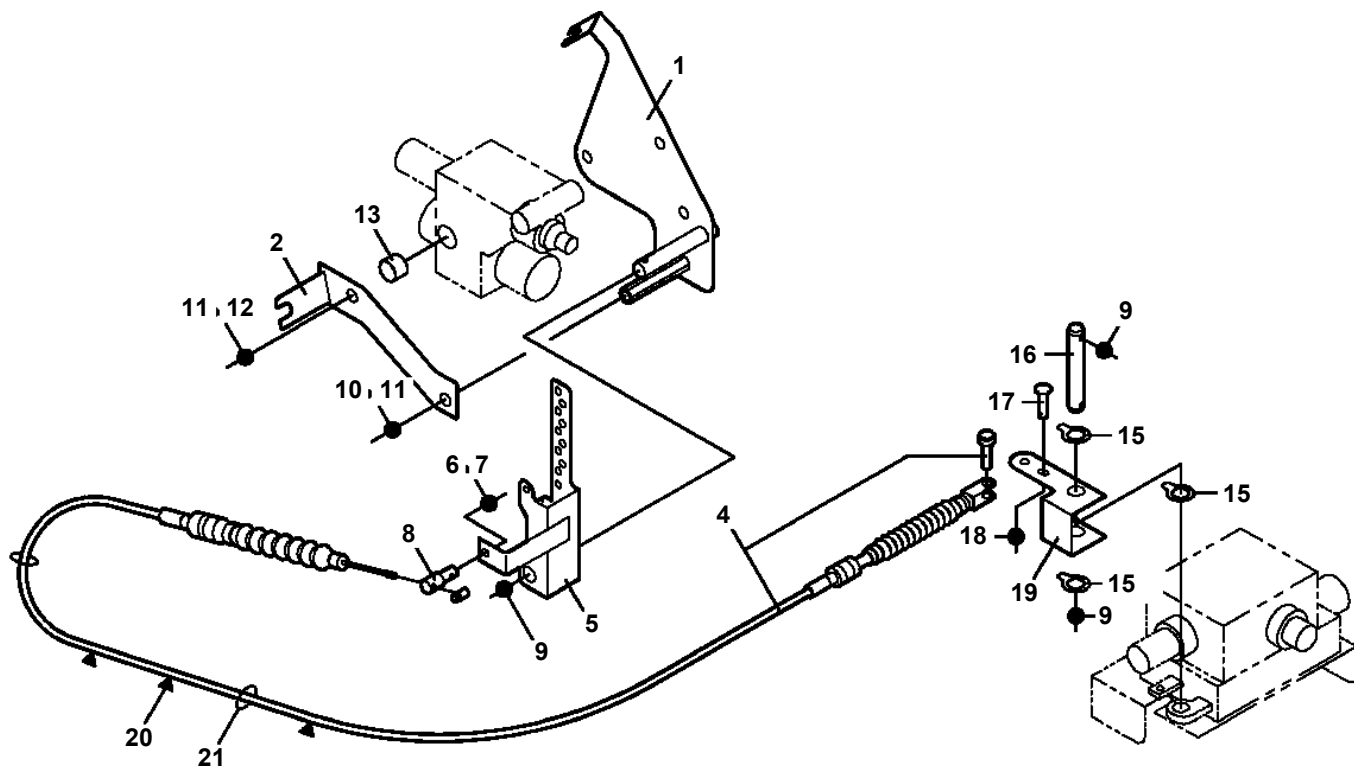
- Please note: If there is no response to CLICKING the link, please download this PDF first and then click on it.

CLICK HERE TO **DOWNLOAD** THE COMPLETE MANUAL

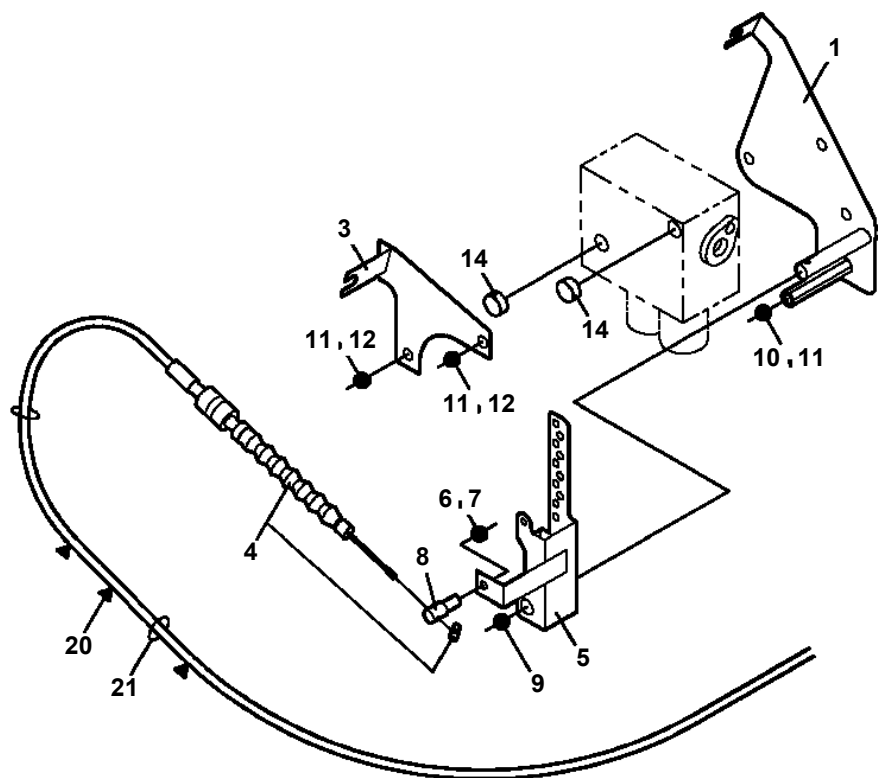
TM-ZR500 31094010760A FRAME/STD,RADIO CONT.,NABI HOOK
 PL1010988-02 OPE.ASSY,CONT.VALVE (CRANE)



TM-ZR500 31094010760A FRAME/STD,RADIO CONT.,NABI HOOK
 PL1920084-00 OPE.ASSY



三輪製アクセルシリンダ



不二輪製アクセルシリンダ

TM-ZR500 31094010760A FRAME/STD,RADIO CONT.,NABI HOOK

Pos No.	Parts No	Parts Name	Qty	Unit	Technical Data	Serial No (Start)	Serial No (End)
1	91850310405	CLAMP (BLACK)	7				
2	91810130240	FASTENER	15				
3	91810130250	FASTENER	5				
5	31653321200	COVER	2				
6	90186208020	BOLT,FLANGE	8		M8X20		
7	90280200800	NUT,FLANGE	8		M8		
8	31653470100	SUPPORT	1				
9	31653470200	SUPPORT	1				
10	90186206010	BOLT,FLANGE	12		M6X10		
11	31611614300	HARNESS	1		L=10000		
12	82100002503	TERMINAL	1				
13	82100001226	INSULATOR	1				
14	31653470300	HARNESS	1				
15	31611614500	COVER	1				
16	31611614400	COVER	1				
17	82100000192	TERMINAL	1				
18	82100000182	INSULATOR	1				
19	82100000191	TERMINAL	1				
20	82100000183	INSULATOR	1				
21	82100002855	CAP	1				
22	82100002674	CONNECTOR (1.25-2)	1				
23	37000573560	PLATE	2				
41	31653322200	SWITCH ASSY (WITH HARNESS,2-SW)	2				
42	82197518114	CAP (MATSUSHITA/BLACK)	4				
	82197518119	CAP (PLUS ONE MFG./BLACK)	4				
43	31653322100	SUPPORT	2				
44	31653471100	PLATE,NAME	2				

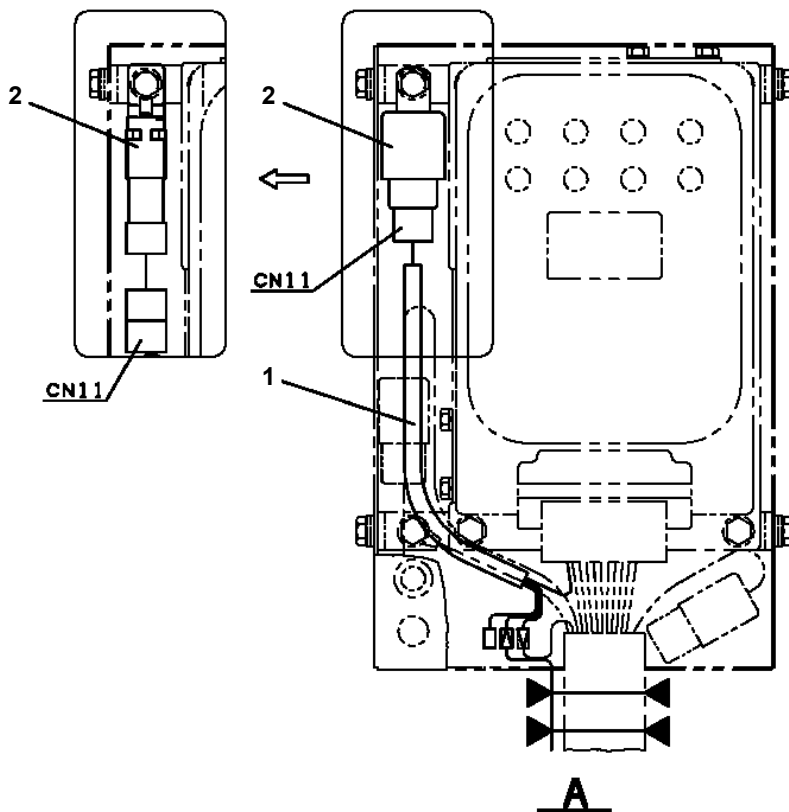
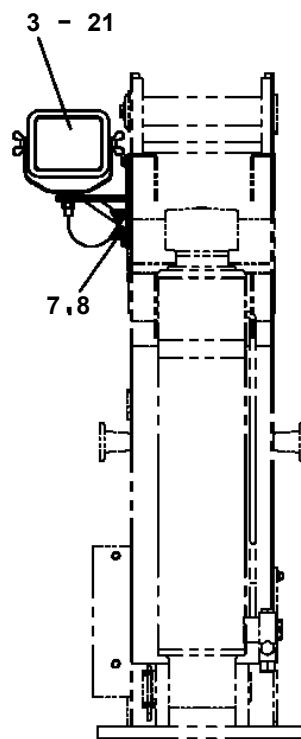
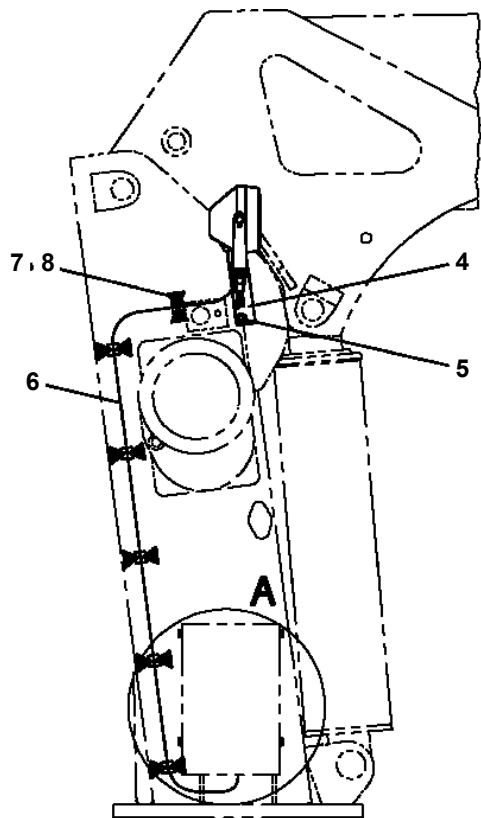
TM-ZR500 31094010760A FRAME/STD,RADIO CONT.,NABI HOOK

Pos No.	Parts No	Parts Name	Qty	Unit	Technical Data	Serial No (Start)	Serial No (End)
2	90186208014	BOLT,FLANGE	4		M8X14		
3	31653221100	SPEAKER (ASSY ONLY)	1				
4	90280200800	NUT,FLANGE	1		M8		
5	91850310405	CLAMP (BLACK)	4				
6	91810130240	FASTENER	17				
8	91850100802	CLAMP	7				
9	31654611100	HARNESS	1				
10	90280200600	NUT,FLANGE	2		M6		
13	90186206010	BOLT,FLANGE	8		M6X10		
14	31653241300	COVER	2				
15	31653221300	COVER	1				
16	90303070601	WASHER,PLAIN	4		6		
17	90101206030	BOLT	4		M6X30		
18	80192483006	SCREW,MACHINE	4		M3X6		
19	82401800120	PLUG (FOR M12)	2				
20	31654611200	PLATE,NAME	1				
21	31651760800	PLATE,CAUTION	1				
22	82401800080	PLUG (FOR M8)	1				
23	90302040601	WASHER,SPRING	4		6		
41	31653243100	SUPPORT	2				
42	82197600101	CAP (BLACK)	4				
44	82197600103	CAP (RED)	1				
45	82197518114	CAP (MATSUSHITA/BLACK)	3				
	82197518119	CAP (PLUS ONE MFG./BLACK)	3				
81	31653242200	COVER (PLASTIC)	1				
	31653242100	COVER (IRON)	1				
82	82100002596	RELAY	2				
83	82400000475	PLATE	2				
84	90280200600	NUT,FLANGE	2		M6		
85	80192486012	SCREW,MACHINE	2		M6X12		
101	31654611400	SUPPORT	2				
102	42433333400	LAMP ASSY (GREEN) <24V	2				
111	31654613200	SWITCH ASSY (PLATING:NACC)	1				
	31654613300	SWITCH ASSY (GREEN:PANASONIC)	1				
121	31653224300	SWITCH ASSY (GREEN:PANASONIC)	1				
	31653224200	SWITCH ASSY (PLATING:NACC)	1				

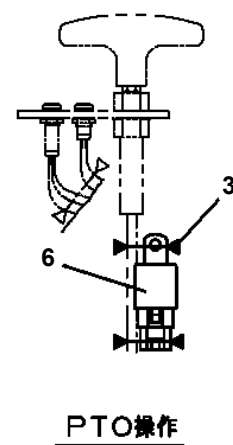
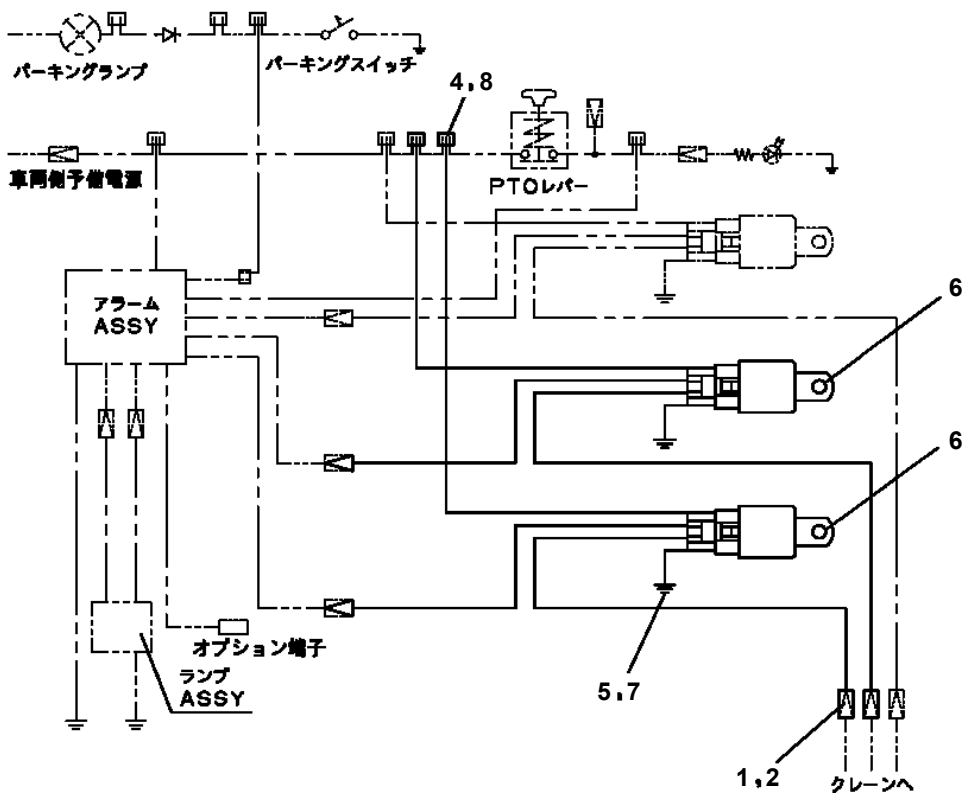
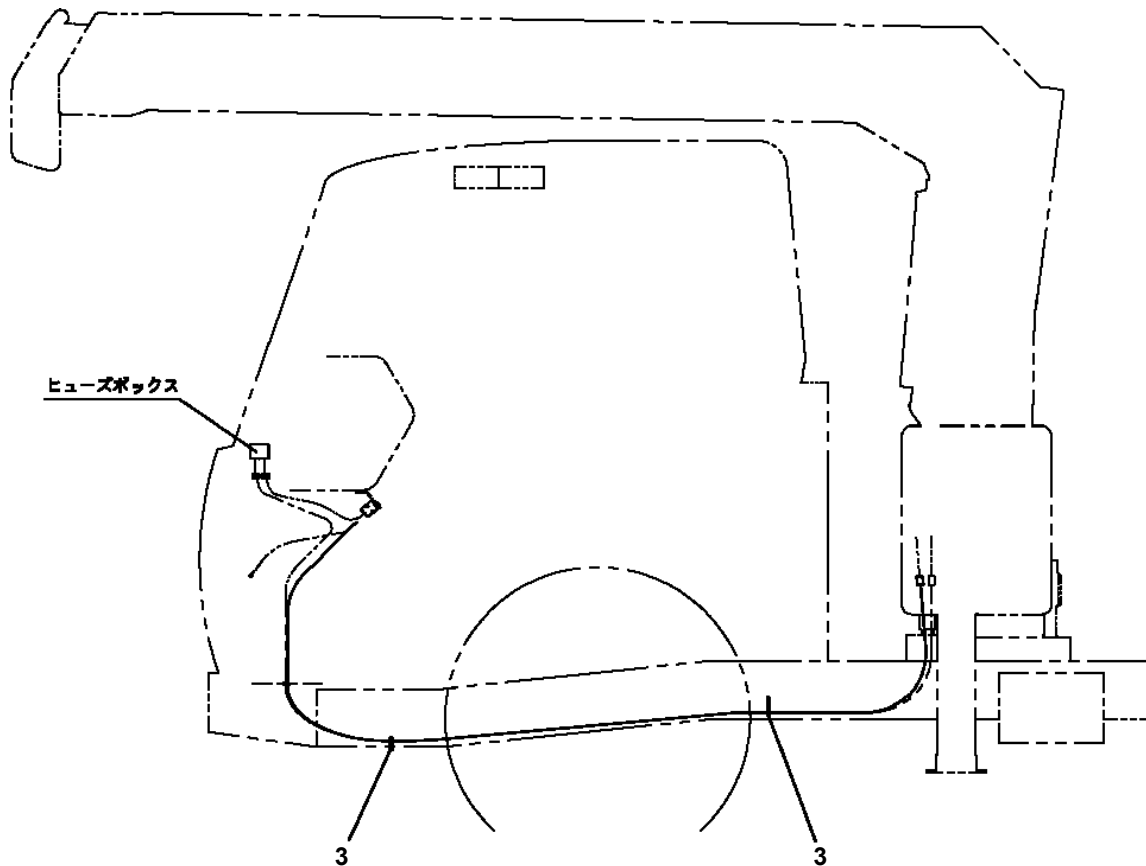
TM-ZR500 31094010760A FRAME/STD,RADIO CONT.,NABI HOOK

Pos No.	Parts No	Parts Name	Qty	Unit	Technical Data	Serial No (Start)	Serial No (End)	Remarks	Page
1	82199100026	LAMP	1		24V 60W				
2	31479681100	SUPPORT	1						
3	90186208014	BOLT,FLANGE	2		M8X14				
4	31473744700	HARNESS (L=1000)	1						00011
5	91850310305	CLAMP	6						
6	91810130240	FASTENER	11						
26	82100000054	BULB,LAMP	1		24V 60W				

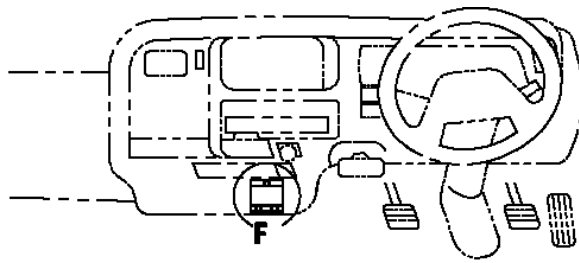
TM-ZR500 31094010760A FRAME/STD,RADIO CONT.,NABI HOOK
PN1014022-01 ELEC.ASSY (UPPER)



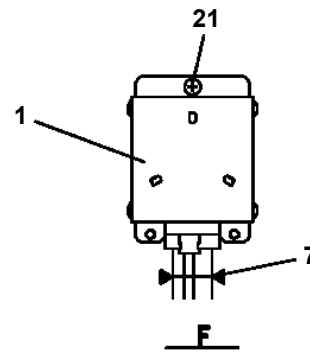
TM-ZR500 31094010760A FRAME/STD,RADIO CONT.,NABI HOOK
 PN1014202-02 ELEC.ASSY (CARRIER)



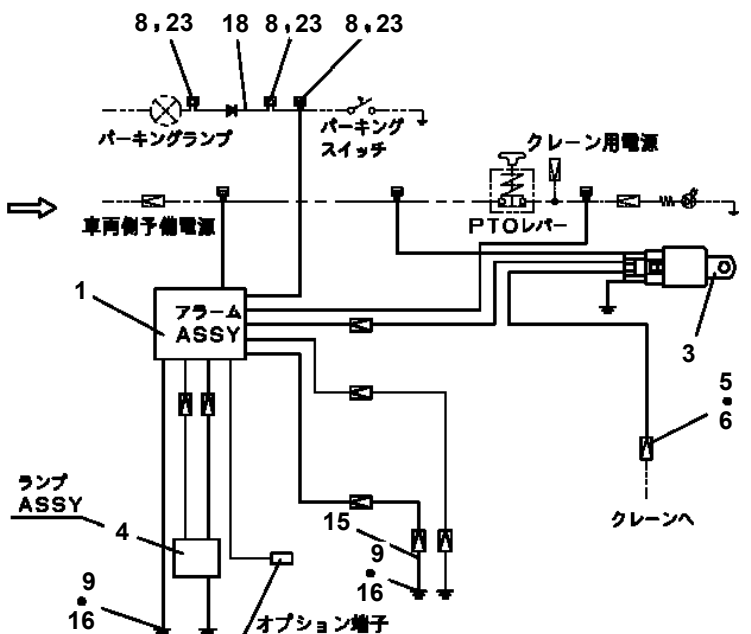
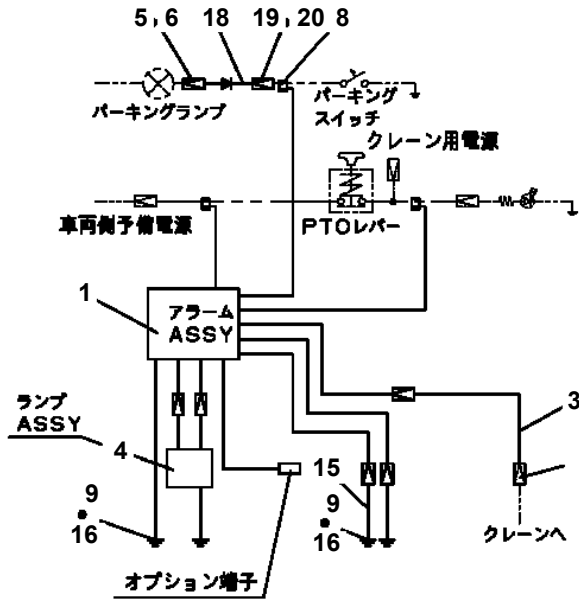
TM-ZR500 31094010760A FRAME/STD,RADIO CONT.,NABI HOOK
 PN1014342-01 ELEC.ASSY (CARRIER)



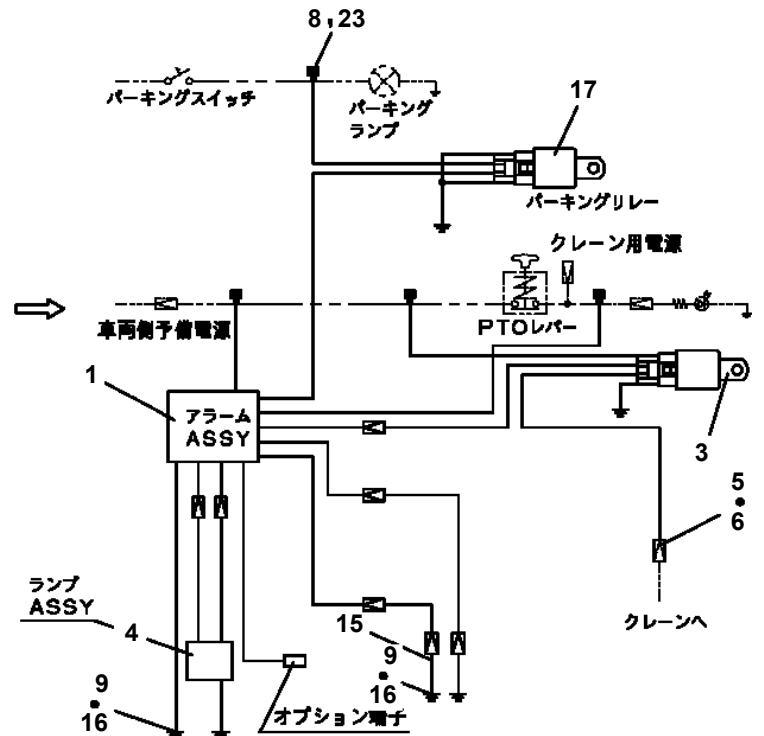
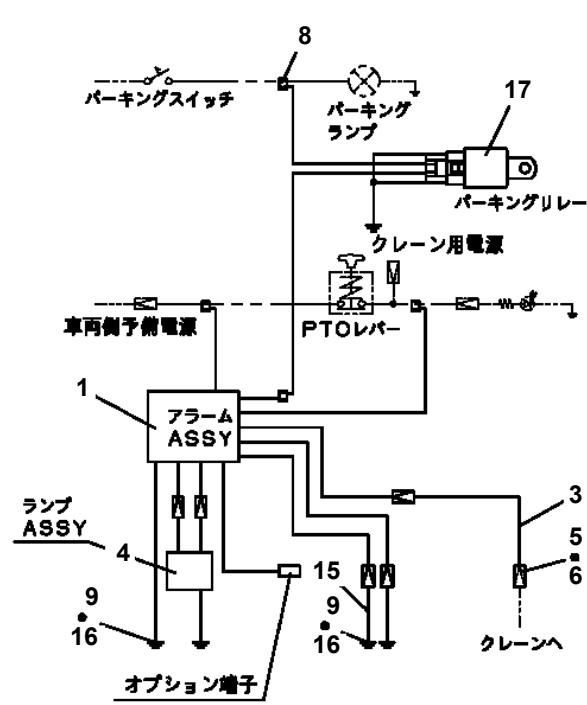
アラームASSY取付



F



パーキングランプの下流にパーキングスイッチがある場合



パーキングランプの上流にパーキングスイッチがある場合

**TM-ZR500 31094010760A FRAME/STD,RADIO CONT.,NABI HOOK
PN1080238-01 LAMP (MOUNT,BOOM:3SECT./NO.DA6244-)**

適用製造番号 (フーム) : DA6244~
 APPLICABLE SERIAL NO. (BOOM) : DA6244~

フーム取付けタイプ
 MOUNTED ON BOOM

ランプ仕様: 24V-45W
 LAMP: 24V-45W

適用機種
 APPLICABLE MODEL

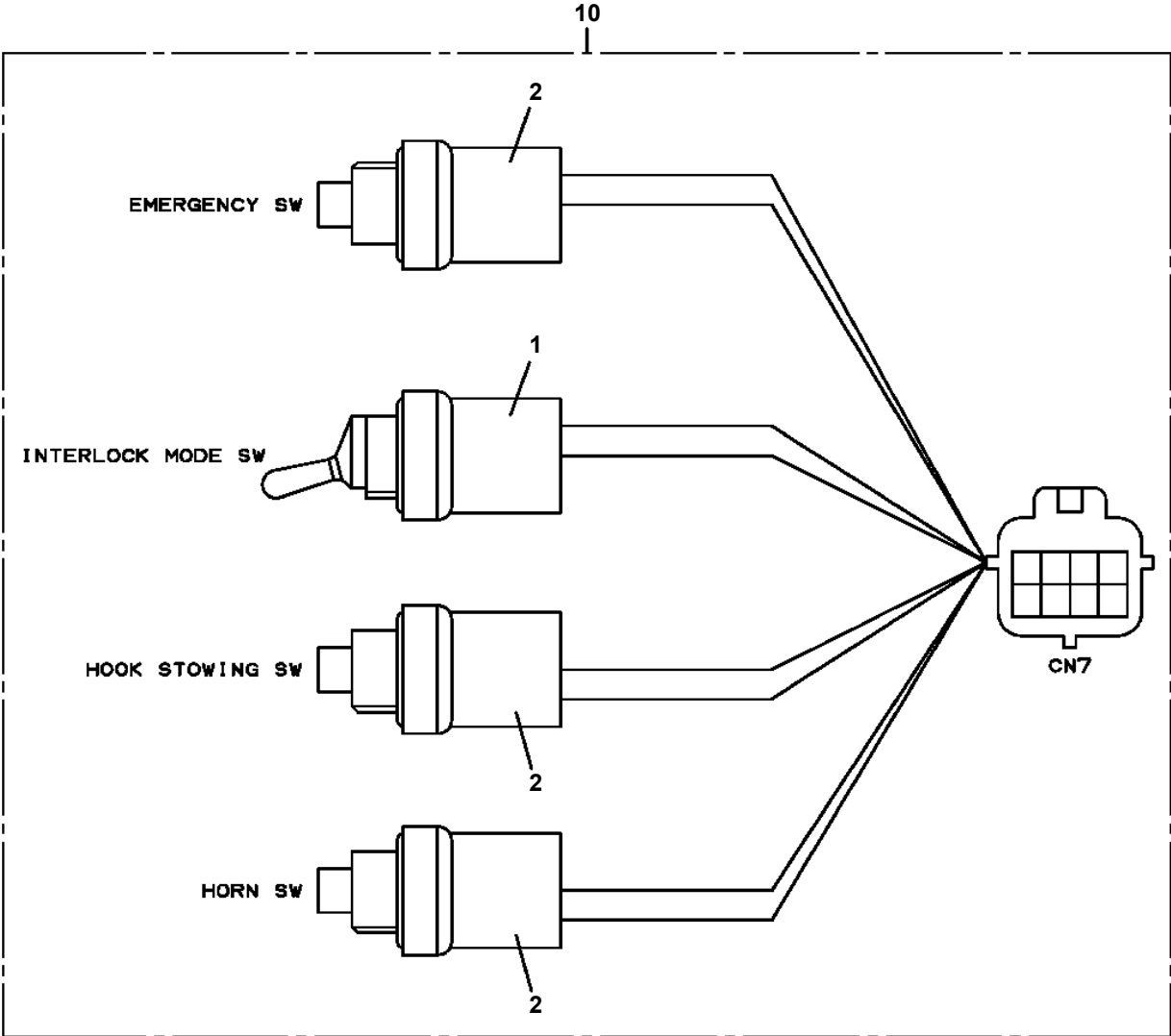
機種 MODEL	段数 SEC.
ZR230	(3SEC.)
ZR260,290	(3SEC.,3J)
ZR300,360	(3SEC.)
ZR500,550	(3SEC.)

1	ハイセンASSY (アツハ / コード リール&ランプ トリツケ) ELEC.ASSY (UPPER/CORD REEL&LAMP)
2	ハイセンASSY (ロー) ELEC.ASSY (LOWER)
3	リール, コード REEL, CORD

TM-ZR500 31094010760A FRAME/STD,RADIO CONT.,NABI HOOK
PN1080276-00 LAMP (MOUNT,POST)

指示番号 KEY NO.	ランプ (ホ ^ク ストリツケ/ラジ ^ク コンセイキ ^ク ヨキシニコ ^ク ウニユウリヨク)
1	ハイセンASSY (アツハ ^ク -) ELEC.ASSY (UPPER)
2	ハイセンASSY (ロワー)
	ELEC.ASSY (LOWER)

**TM-ZR500 31094010760A FRAME/STD,RADIO CONT.,NABI HOOK
PN1140228-00 SWITCH ASSY (PLATING:NACC)**



TM-ZR500 31094010760A FRAME/STD,RADIO CONT.,NABI HOOK

Pos No.	Parts No	Parts Name	Qty	Unit	Technical Data	Serial No (Start)	Serial No (End)	Remarks	Pages
1	31370255010	PLATE	1						
2	31370255020	CASE	1						
9	31370255080	BRUSH	1						
10	31370255090	PLATE	1						
11	80175104012	SCREW,MACHINE	2		M4X12				
12	90240200400	NUT,CAP	2		M4				
13	90303100401	WASHER,PLAIN	2		4				
14	90302040401	WASHER,SPRING	2		4				
15	31370255100	RING,SLIP	1						
16	82100000080	CORD (1-LINE)	14	M					
17	31370255110	WASHER	2						
18	90102205008	BOLT	2		M5X8				
19	31370255120	GROMMET	1						
24	90102205012	BOLT	4		M5X12				
25	90201200500	NUT	4		M5				
26	90303100501	WASHER,PLAIN	8		5				
27	82100000192	TERMINAL	1						
28	82100000182	INSULATOR	1						
30	82100000191	TERMINAL	1						
31	82100000183	INSULATOR	1						
41	36160265010	SPRING ASSY	1						
500	36160670000	REEL,CORD	1						

TM-ZR500 31094010760A FRAME/STD,RADIO CONT.,NABI HOOK

Pos No.	Parts No	Parts Name	Qty	Unit	Technical Data	Serial No (Start)	Serial No (End)	Remarks	Pages
1	31502232100	PLATE,CAUTION	1						
2	31502232200	PLATE,CAUTION	1						

TM-ZR500 31094010760A FRAME/STD,RADIO CONT.,NABI HOOK

Pos No.	Parts No	Parts Name	Qty	Unit	Technical Data	Serial No (Start)	Serial No (End)	Remarks	Pages
1	31394720300	PLATE,CAUTION	1						
2	31473633100	PLATE,NAME	1						

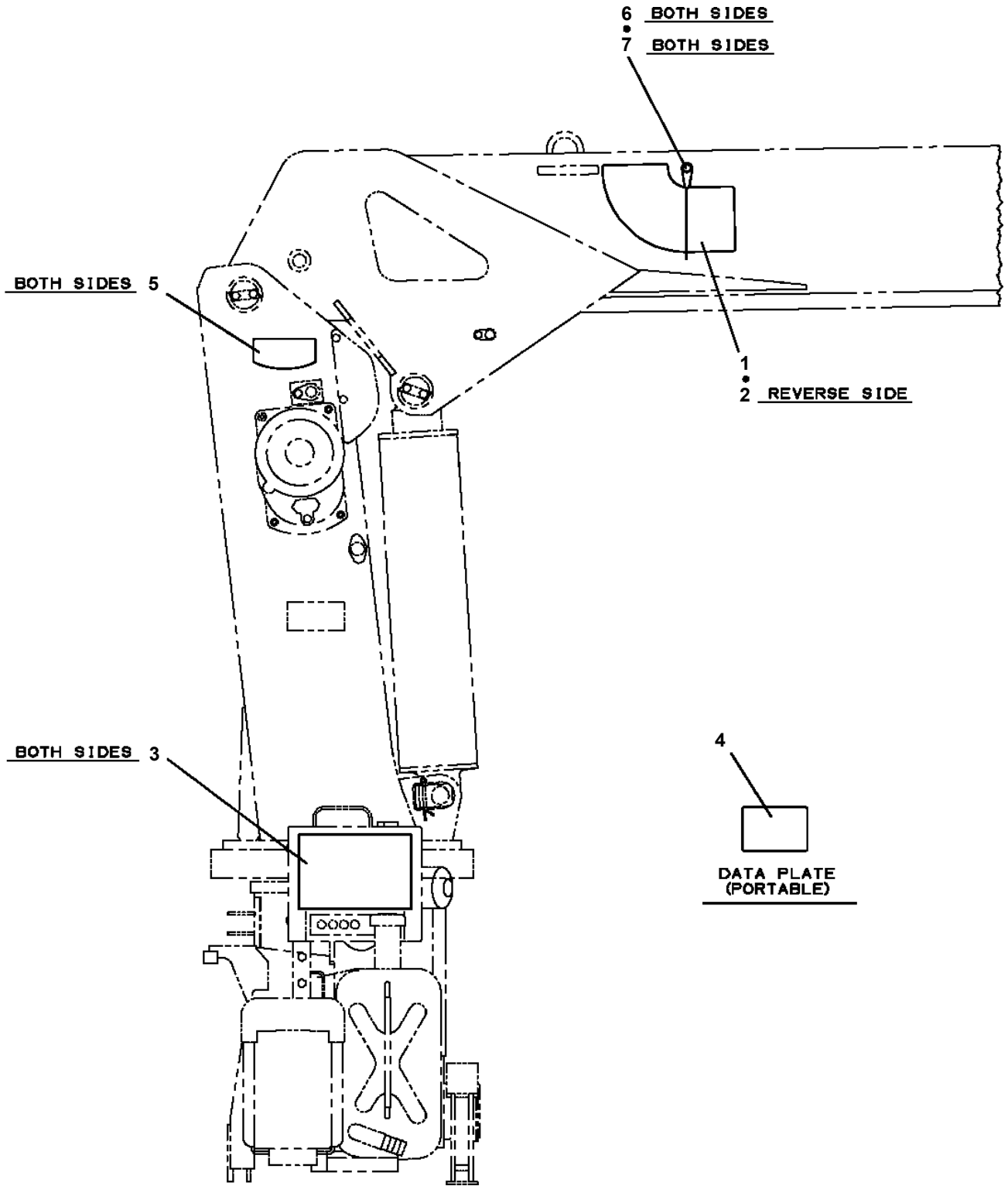
TM-ZR500 31094010760A FRAME/STD,RADIO CONT.,NABI HOOK

Pos No.	Parts No	Parts Name	Qty	Unit	Technical Data	Serial No (Start)	Serial No (End)	Remarks	P
1	31500512100	PLATE,CAUTION (AWL)	1						
	31361114100	PLATE,CAUTION (BML)	1						
3	31361473100	PLATE,NAME	1						

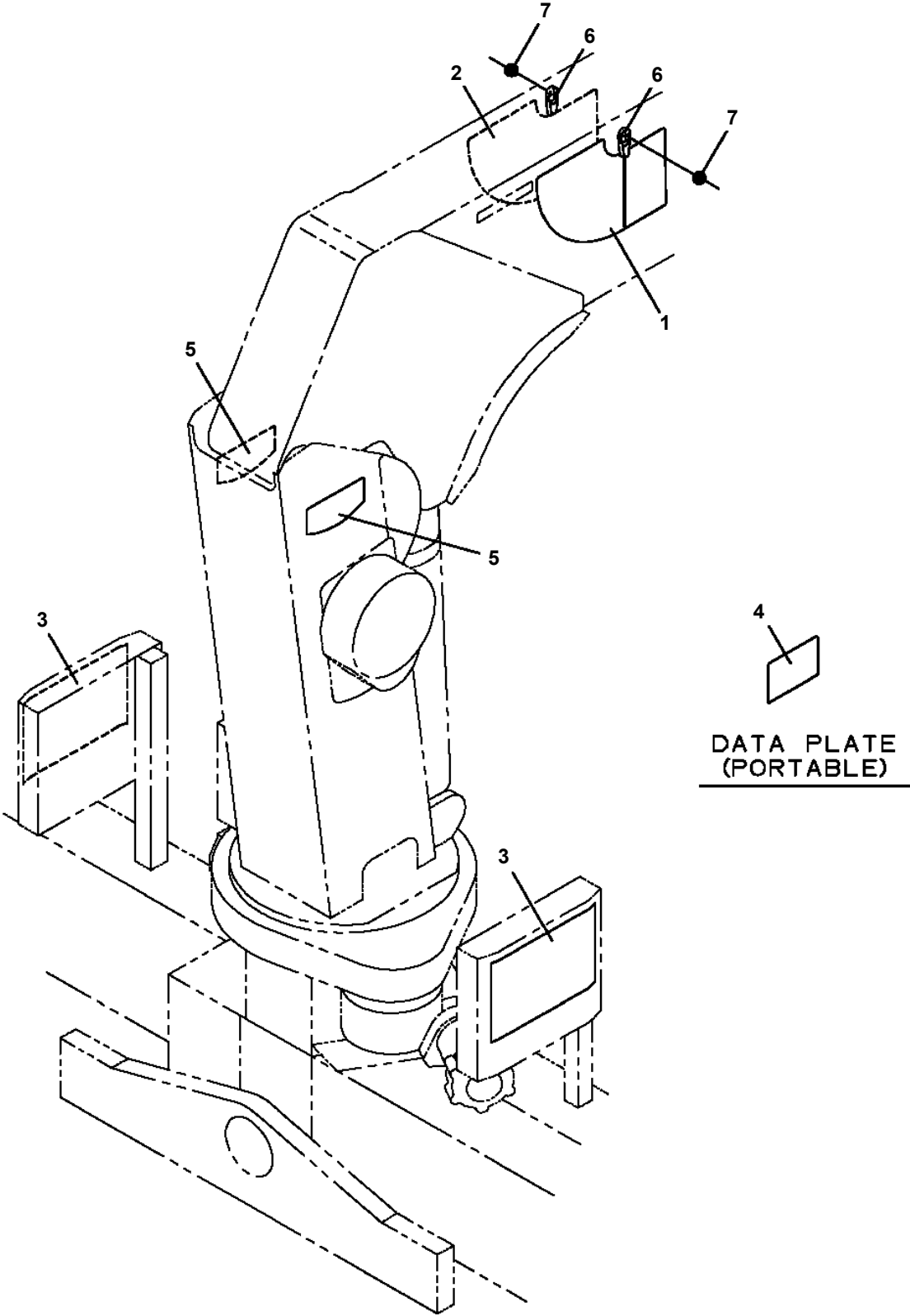
TM-ZR500 31094010760A FRAME/STD,RADIO CONT.,NABI HOOK

Pos No.	Parts No	Parts Name	Qty	Unit	Technical Data	Serial No (Start)	Serial No (End)	Remark
1	31361841100	PLATE,CAUTION (FOR AWL)	1					
2	31361841200	PLATE,CAUTION (FOR BML)	1					

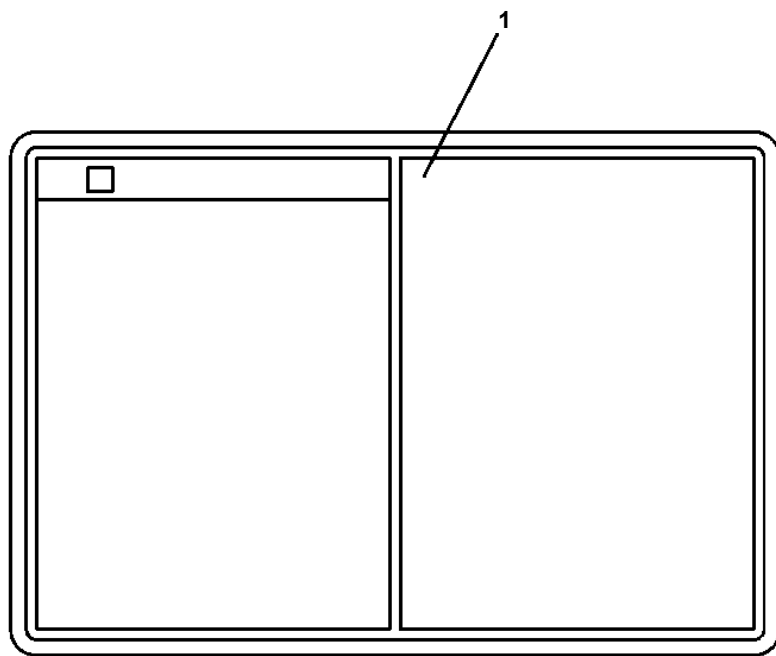
**TM-ZR500 31094010760A FRAME/STD,RADIO CONT.,NABI HOOK
PO1070190-00 PERFORMANCE DATA (ZR503/B)**



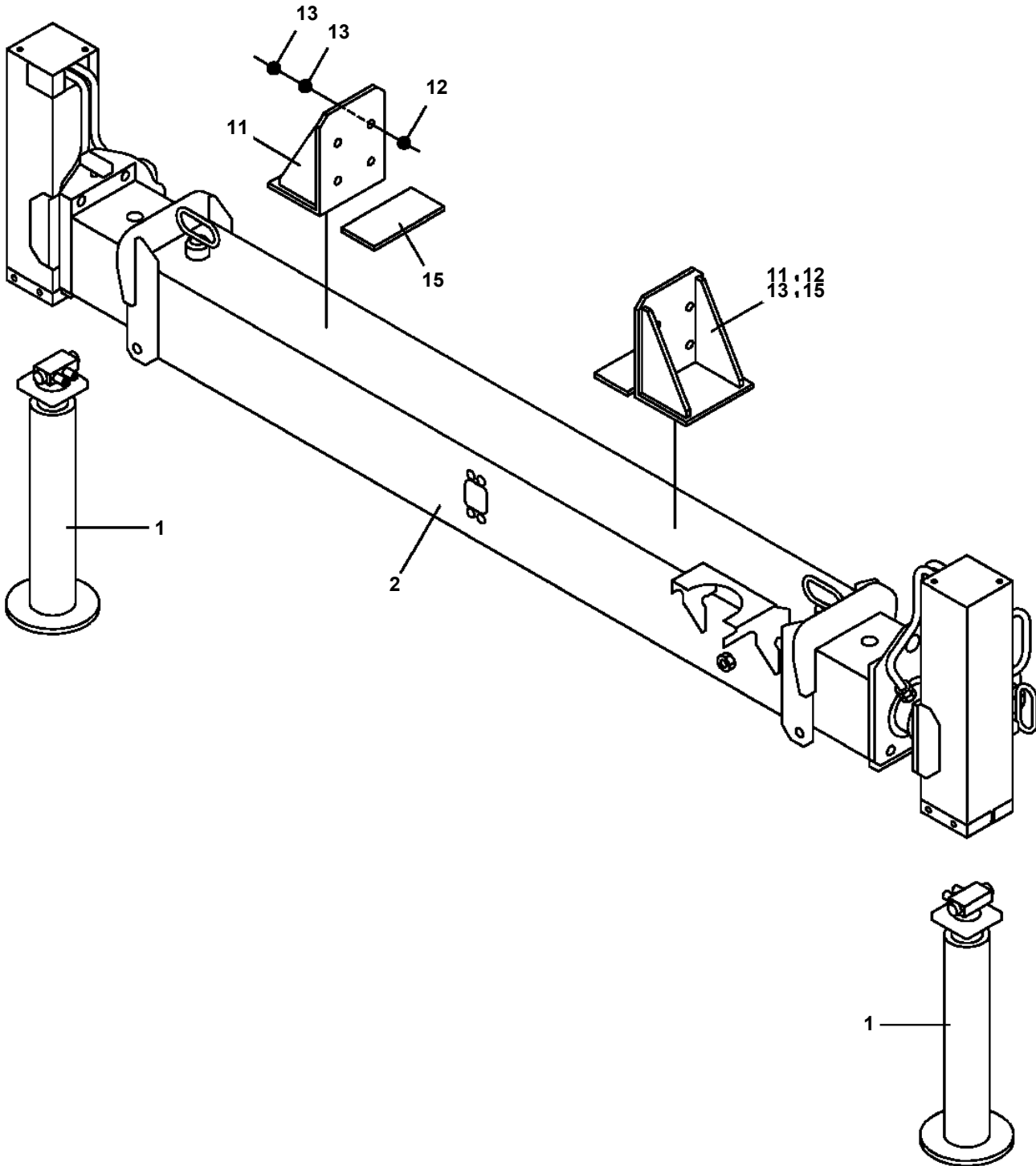
**TM-ZR500 31094010760A FRAME/STD,RADIO CONT.,NABI HOOK
PO1070562-00 PERFORMANCE DATA (ZR504/A)**



TM-ZR500 31094010760A FRAME/STD,RADIO CONT.,NABI HOOK
PO1080013-00 PLATE,NAME

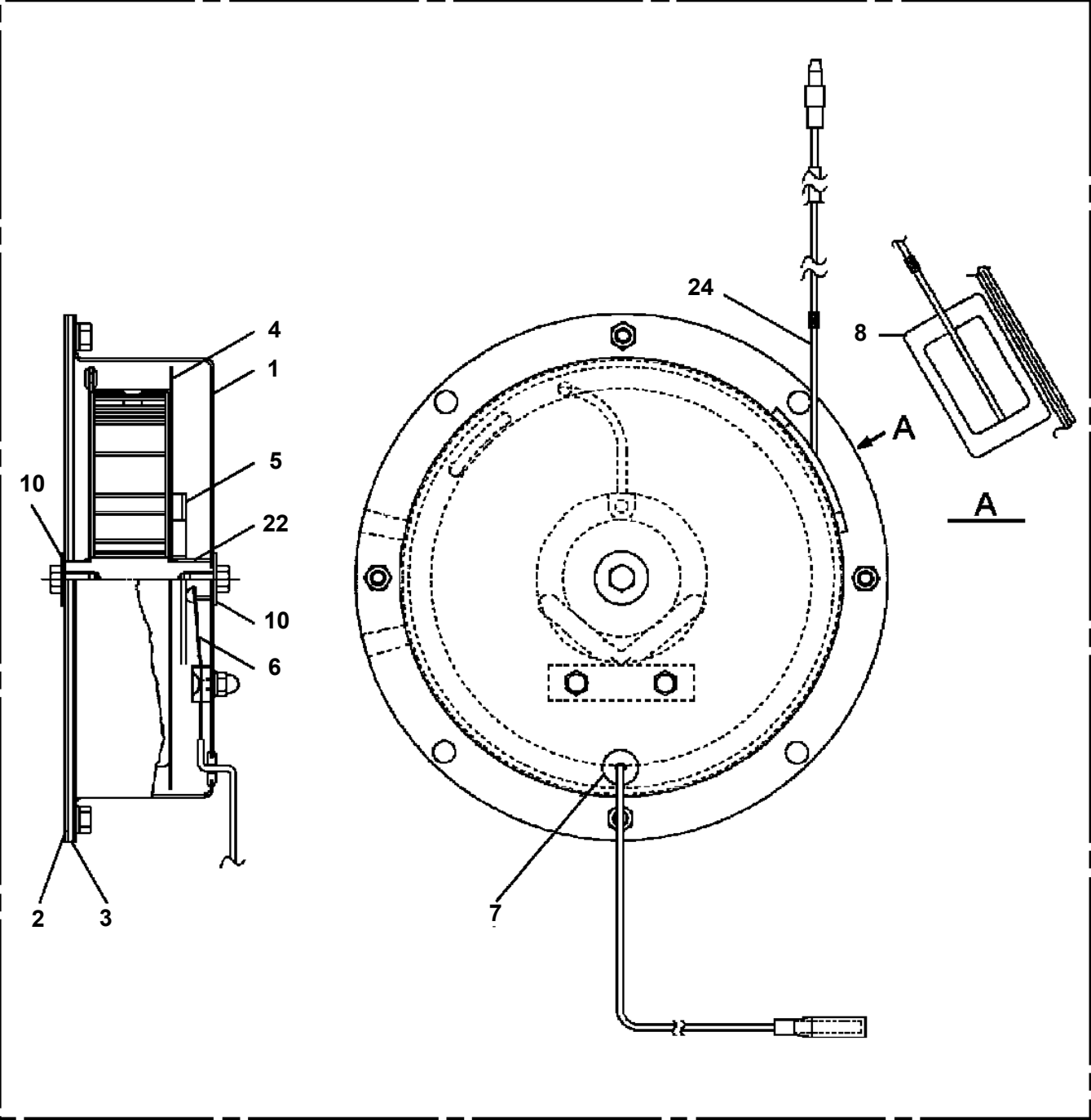


TM-ZR500 31094010760A FRAME/STD,RADIO CONT.,NABI HOOK
PO5290013-00 OUTRIGGER ASSY,REAR



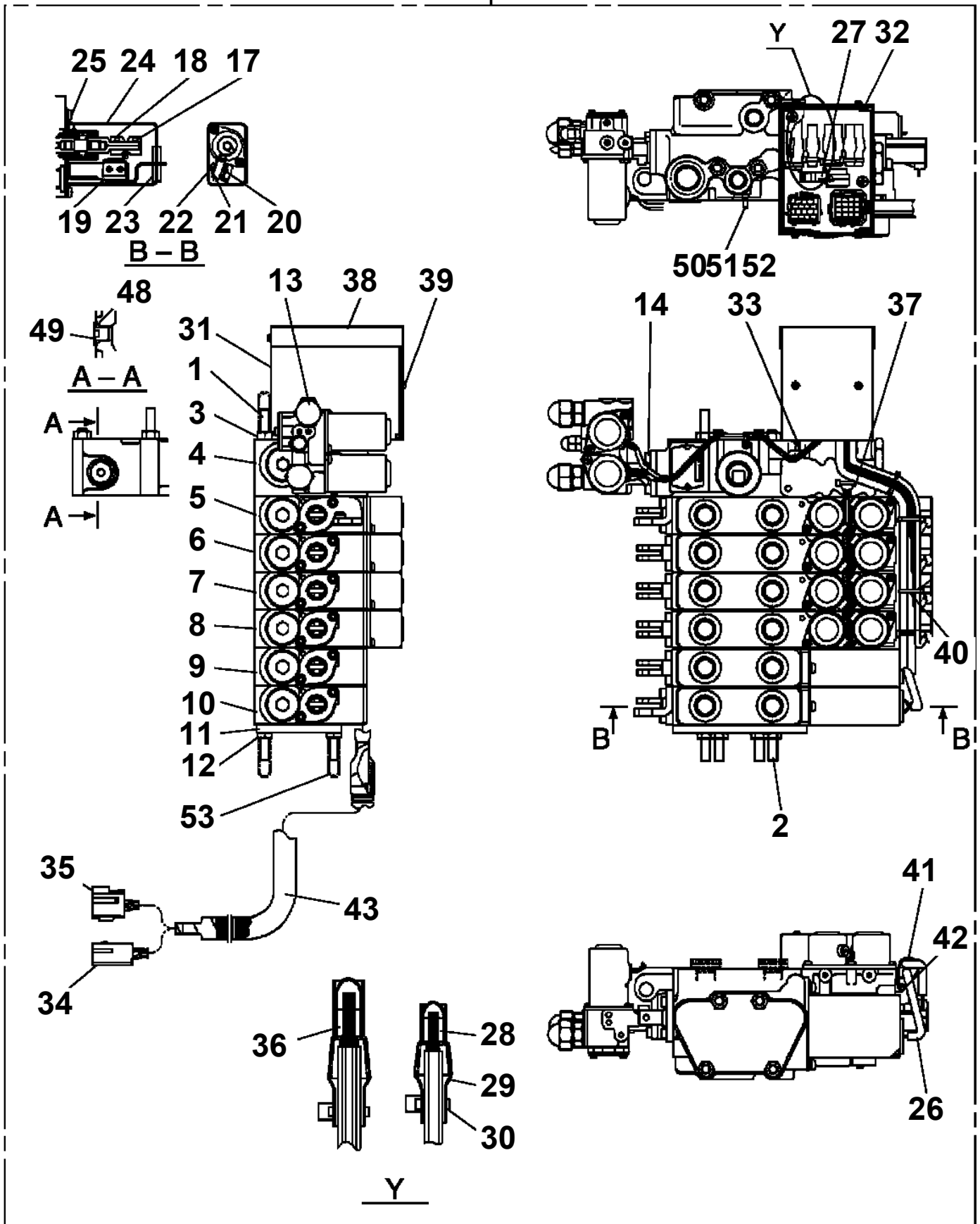
TM-ZR500 31094010760A FRAME/STD,RADIO CONT.,NABI HOOK
PR5050011-00 REEL ASSY,CORD

100



TM-ZR500 31094010760A FRAME/STD,RADIO CONT.,NABI HOOK
PV1020308-00 VALVE,REMOTE CONTROL

300



TM-ZR500 31094010760A FRAME/STD,RADIO CONT.,NABI HOOK

Pos No.	Parts No	Parts Name	Qty	Unit	Technical Data	Serial No (Start)	Serial No (End)	Remarks
65	90303070801	WASHER,PLAIN	2		8	EW4663	EW4662	
	90303070801	WASHER,PLAIN	5		8			
	90303070801	WASHER,PLAIN	5		8			
66	36649585140	SPRING	1					
67	36649585150	SPRING	1					
68	91001101800	O-RING	4		1A P18	EW4663	EW4662	
	91001101800	O-RING	10		1A P18			
	91001101800	O-RING	4		1A P18			
	91001101800	O-RING	10		1A P18			
69	36649585160	PLUG	2		G1/2	EW4663	EW4662	
	36649585160	PLUG	5		G1/2			
	36649585160	PLUG	2		G1/2			
	36649585160	PLUG	5		G1/2			
70	36641075260	SPRING	1					
71	91001101100	O-RING	5		1A P11	EW4663	EW4662	
	91001101100	O-RING	2		1A P11			
	91001101100	O-RING	2		1A P11			
	91001101100	O-RING	5		1A P11			
72	36647055150	PLUG	1					
73	36649585170	FILTER	1					
74	91001002600	O-RING	1		S26			
75	36647395150	PLUG	1		M24			
77	91001102100	O-RING	15		1A P21	EW4663	EW4662	
	91001102100	O-RING	6		1A P21			
	91001102100	O-RING	6		1A P21			
	91001102100	O-RING	15		1A P21			
78	91001100600	O-RING	18		1A P6	EW4663	EW4662	
	91001100600	O-RING	18		1A P6			
88	36646865190	PISTON	2			EW4663	EW4662	
	36646865190	PISTON	2					
	36646865190	PISTON	2					
	36646865190	PISTON	2					
	36646865190	PISTON	2					
89	91001102000	O-RING	2		1A P20	EW4663	EW4662	
	91001102000	O-RING	2		1A P20			
	91001102000	O-RING	2		1A P20			
	91001102000	O-RING	2		1A P20			
90	91001000800	O-RING	2		S8	EW4663	EW4662	
	91001000800	O-RING	2		S8			
	91001000800	O-RING	2		S8			
	91001000800	O-RING	2		S8			
	91001000800	O-RING	2		S8			
91	36648365120	SPOOL (SUB)	2			EW4663	EW4662	
	36648365120	SPOOL (SUB)	2					
	36648365120	SPOOL (SUB)	2					
	36648365120	SPOOL (SUB)	2					
	36648365120	SPOOL (SUB)	2					
92	91650001400	SCRAPER	2			EW4663	EW4662	
	91650001400	SCRAPER	2					
	91650001400	SCRAPER	2					
	91650001400	SCRAPER	2					
93	91001002240	O-RING	2		S22.4	EW4663	EW4662	
	91001002240	O-RING	2		S22.4			
	91001002240	O-RING	2		S22.4			
	91001002240	O-RING	2		S22.4			
94	36648365110	FLANGE	2			EW4663	EW4662	
	36648365110	FLANGE	2					
	36648365110	FLANGE	2					
	36648365110	FLANGE	2					
	36648365110	FLANGE	2					
95	36645495210	SEAT,SPRING (RETURN)	4			EW4663	EW4662	
	36645495210	SEAT,SPRING (RETURN)	8					
	36645495210	SEAT,SPRING (RETURN)	4					

TM-ZR500 31094010760A FRAME/STD,RADIO CONT.,NABI HOOK

Pos No.	Parts No	Parts Name	Qty	Unit	Technical Data	Serial No (Start)	Serial No (End)
1	36804335010	BOARD ASSY	1				
2	36802975170	CASING	1				
3	36802975030	COVER	2				
4	36802975040	PANEL	1				
5	36802975050	SCREEN	1				
6	36802975060	GASKET	1				
7	36802975070	GASKET	1				
8	36802975080	GASKET	1				
9	36802975090	PLATE (RADIATOR)	1				
10	36802975100	CONNECTOR ASSY (WITH HARNESS)	1				
11	36802975110	CONNECTOR ASSY (WITH HARNESS)	1				
12	36800175030	CAP	1				
13	36802975120	DRIER,AIR	1				
18	36802975180	CONNECTOR ASSY	2				
19	36802975190	PLUG	2				
20	36802985010	RECEIVER (DATA)	1				
21	36802975160	BRACKET	1				
31	36802975200	FUSE	1				
50	36804332000	CONTROL BOX (MITSUMI)	1				

TM-ZR500 31094010760A FRAME/STD,RADIO CONT.,NABI HOOK

Pos No.	Parts No	Parts Name	Qty	Unit	Technical Data	Serial No (Start)	Serial No (End)
4	36804470100	PLATE,NAME	1				
5	36804471000	PLATE,NAME	1				
31	36804332001	CONTROL UNIT (FUTABA)	1				
	36804332000	CONTROL BOX (MITSUMI)	1				
32	36801992000	SWITCH BOX (RADIO CONTROL,TYPE-D)	1				
	36801992001	SWITCH BOX (FUTABA)	1				
41	(*****)	ELEC.ASSY (FRAME)	1				
42	(*****)	ELEC.ASSY (POST)	1				

TM-ZR500 31094010760A FRAME/STD,RADIO CONT.,NABI HOOK

Pos No.	Parts No	Parts Name	Qty	Unit	Technical Data	Serial No (Start)	Serial No (End)
1	36802765010	ELEMENT,ANTENNA (FLEXIBLE)	1				
11	36802765020	CABLE ASSY (WITH MAGNET COVER)	1				
30	36802760000	ANTENNA (15M.TRAVELLING TYPE C,D,E)	1				

TM-ZR500 31094010760A FRAME/STD,RADIO CONT.,NABI HOOK

Pos No.	Parts No	Parts Name	Qty	Unit	Technical Data	Serial No (Start)	Serial No (End)	Remarks	Pages
1	33420031300	PLATE	1						
2	37000509250	PLATE	2						

TM-ZR500 31094010760A FRAME/STD,RADIO CONT.,NABI HOOK

Pos No.	Parts No	Parts Name	Qty	Unit	Technical Data	Serial No (Start)	Serial No (End)	Remarks	Pages
1	90101212025	BOLT	2		M12X25				
2	90201201200	NUT	2		M12				
3	90302041201	WASHER,SPRING	2		12				
4	31622503800	PLATE	2				EW5569		
	31478111400	PLATE	2			EW5570			
5	31478111100	SUPPORT	1				EW5569		
	31478111300	SUPPORT	1			EW5570			
6	90186208016	BOLT,FLANGE	2		M8X16		EW5569		
7	31478111200	SUPPORT	1						
8	90280201000	NUT,FLANGE	2		M10				
9	90101210025	BOLT	2		M10X25		EW5569		
	90101210025	BOLT	4		M10X25	EW5570			
10	90201201000	NUT	2		M10	EW5570			
11	90302041001	WASHER,SPRING	2		10	EW5570			

TM-ZR500 31094010760A FRAME/STD,RADIO CONT.,NABI HOOK

Pos No.	Parts No	Parts Name	Qty	Unit	Technical Data	Serial No (Start)	Serial No (End)	Remarks	Pages
1	91810130240	FASTENER	4						
2	82100000192	TERMINAL	1						
3	82100000182	INSULATOR	1						
4	31476361200	HARNESS (WHITE)	1		L=2000				

CLICK HERE TO **DOWNLOAD** THE COMPLETE MANUAL

- Thank you very much for reading the preview of the manual.
- You can download the complete manual from: www.heydownloads.com by clicking the link below



- Please note: If there is no response to CLICKING the link, please download this PDF first and then click on it.

CLICK HERE TO **DOWNLOAD** THE COMPLETE MANUAL