

**TM-ZR500 31094010340A FRAME/STD,MANUAL,HOOK-IN**  
PB000052-02 SYSTEM (ZR500,EXPORT)  
ASSEMBLY

CLICK HERE TO **DOWNLOAD** THE COMPLETE MANUAL

- Thank you very much for reading the preview of the manual.
- You can download the complete manual from: [www.heydownloads.com](http://www.heydownloads.com) by clicking the link below



- Please note: If there is no response to CLICKING the link, please download this PDF first and then click on it.

CLICK HERE TO **DOWNLOAD** THE COMPLETE MANUAL

# TM-ZR500 31094010340A FRAME/STD,MANUAL,HOOK-IN

Pos No.	Parts No	Parts Name	Qty	Unit	Technical Data	Serial No (Start)	Serial No (End)
50	53063551150	BACKUP STRIP	2				
51	36650715040	GASKET	2				
52	36650715050	GASKET	2				
65	53063551010	SEAL,OIL	1				
100	36652290000	PUMP,HYDRAULIC (SGP2-44D2H9-L)	1				

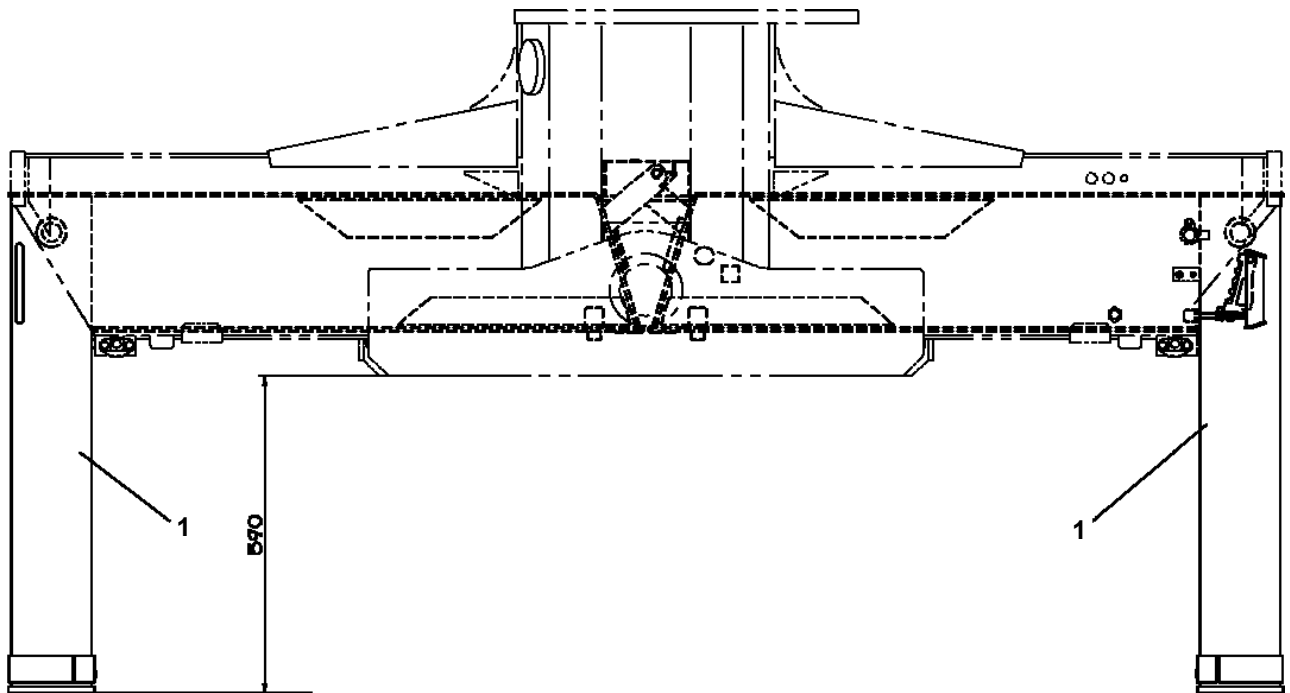
# TM-ZR500 31094010340A FRAME/STD,MANUAL,HOOK-IN

Pos No.	Parts No	Parts Name	Qty	Unit	Technical Data	Serial No (Start)	Serial No (End)	Remarks	Pages
1	31631321000	JOINT,ROTARY	1						000011
2	91002801400	O-RING	5		1B P14				
3	37002480800	HOSE	2		L=930				
	37002458020	HOSE	2		L=930				
4	37000932500	JOINT	1						
5	37002480770	HOSE	2		L=860				
	37002458040	HOSE	2		L=860				
6	37002480760	HOSE	1		L=810				
	37002455110	HOSE	1		L=810				
7	37002458050	HOSE	1		L=780				
	37002480730	HOSE	1		L=780				
8	91002801100	O-RING	1		1B P11				
9	37002510780	HOSE	1		L=700				
10	91803600200	CLIP	1		D=13-20				
50	31631320000	JOINT,ROTARY	1						

## TM-ZR500 31094010340A FRAME/STD,MANUAL,HOOK-IN

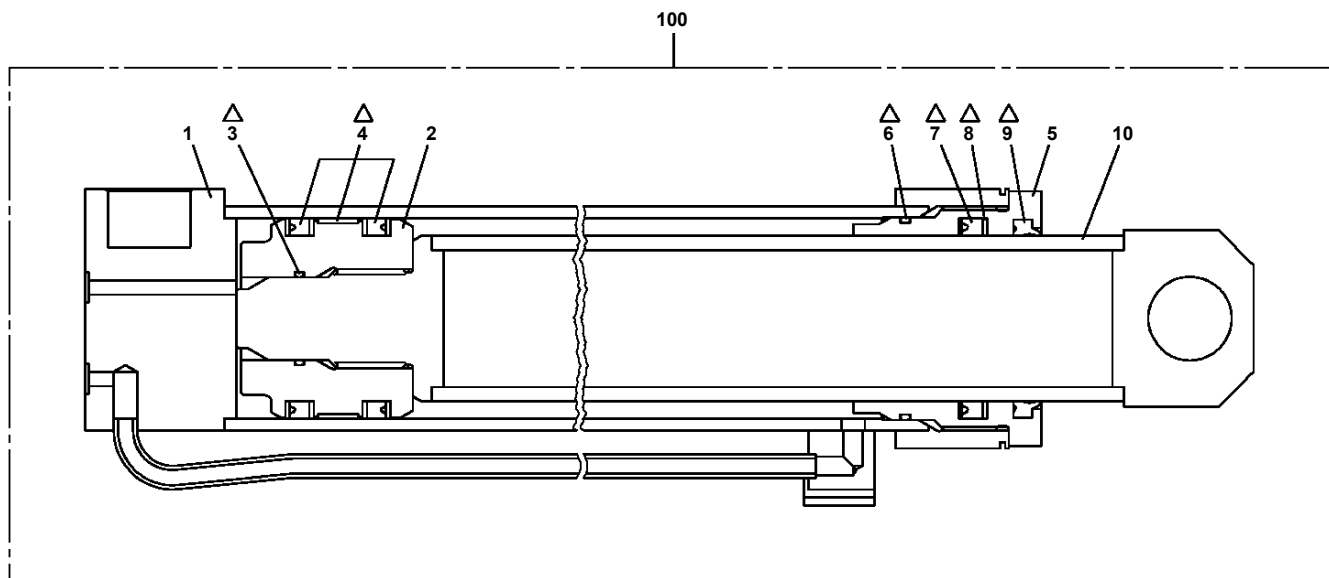
Pos No.	Parts No	Parts Name	Qty	Unit	Technical Data	Serial No (Start)	Serial No (End)
176	36630045220	NUT	1		M10		
177	36630045210	NUT,CAP	1				
178	91002802100	O-RING	1		1B P21		
179	36637335390	SOCKET	1				
180	36643175050	FILTER	1				
181	80602110080	RING,RITAINING	1		R8		
182	36637545060	VALVE,REGULATOR	1				
183	36630705290	SPRING	1				
185	91002801000	O-RING	1		1B P10		
186	36637335410	STOPPER	1				
188	36630045230	TUBE	1				
189	36637335430	BAND	1				
191	36637335460	SOLENOID ASSY	1				
192	36637335470	BOLT,HEXAGON SOCKET	3		M6X45		
300	36637660000	VALVE,MANUAL CONTROL (NABCO)	1				

TM-ZR500 31094010340A FRAME/STD,MANUAL,HOOK-IN  
PC1010803-00 OUTRIGGER (MOUNT,L=590)



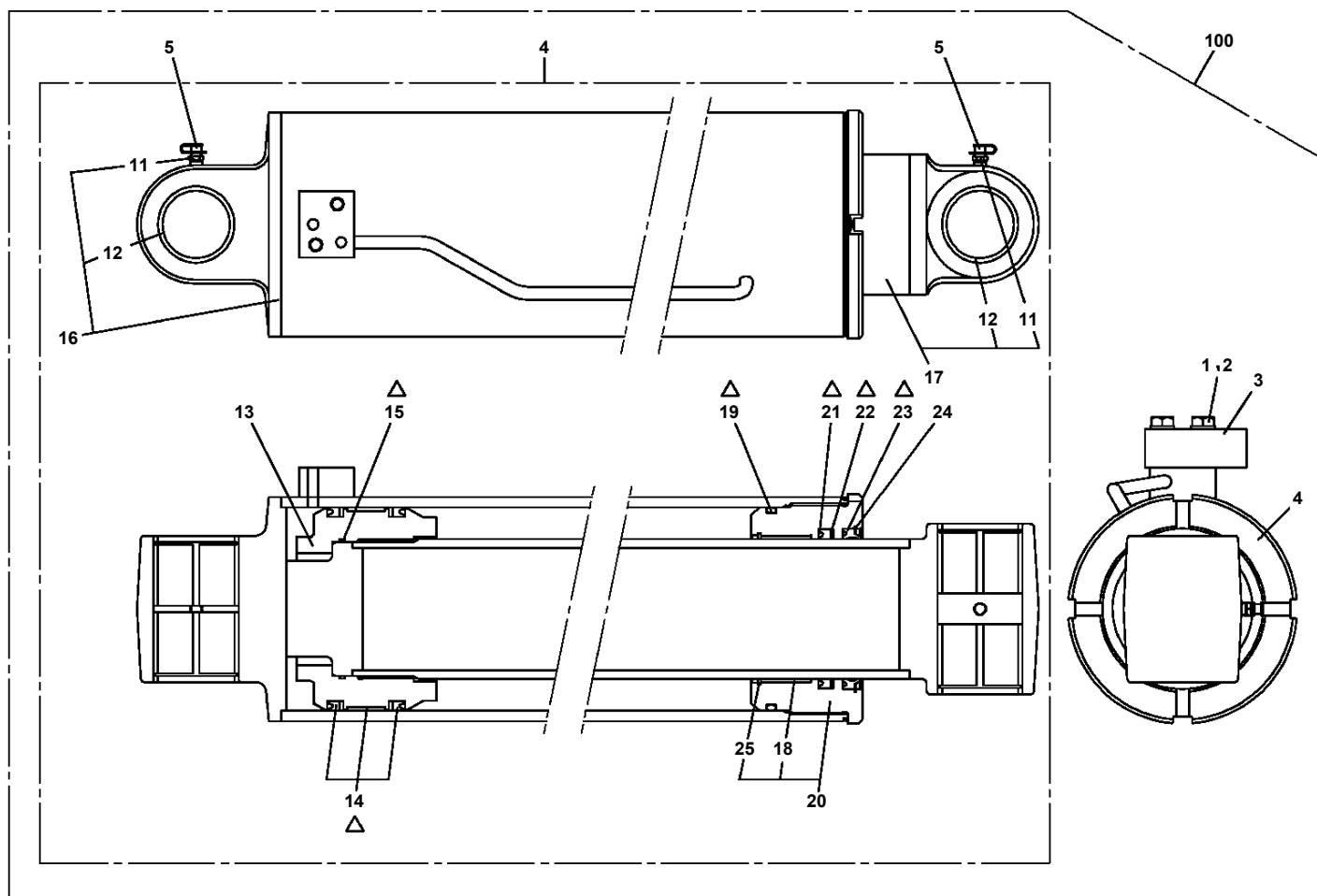


TM-ZR500 31094010340A FRAME/STD,MANUAL,HOOK-IN  
PC6390037-01 CYLINDER ASSY,JACK



Δ:PACKING SET KEY NO.20 (KEY NO.3,4,6,7,8,9)

**TM-ZR500 31094010340A FRAME/STD,MANUAL,HOOK-IN  
PE1010377-04 CYLINDER,ELEVATING**



△: PACKING SET KEY NO.30 (KEY NO.14,15,19,21,22,23)

CLICK HERE TO **DOWNLOAD** THE COMPLETE MANUAL

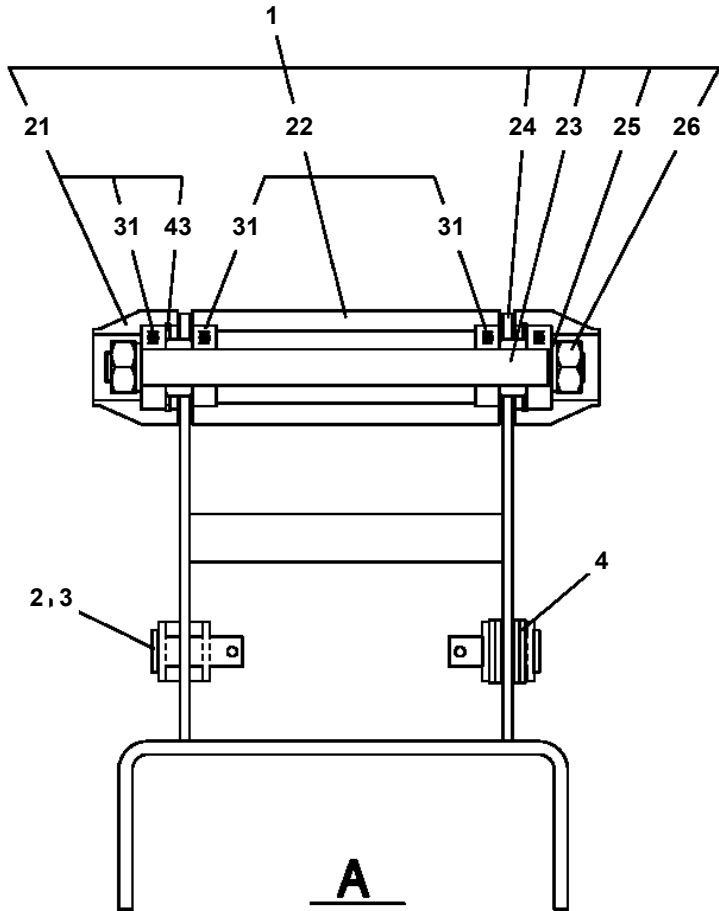
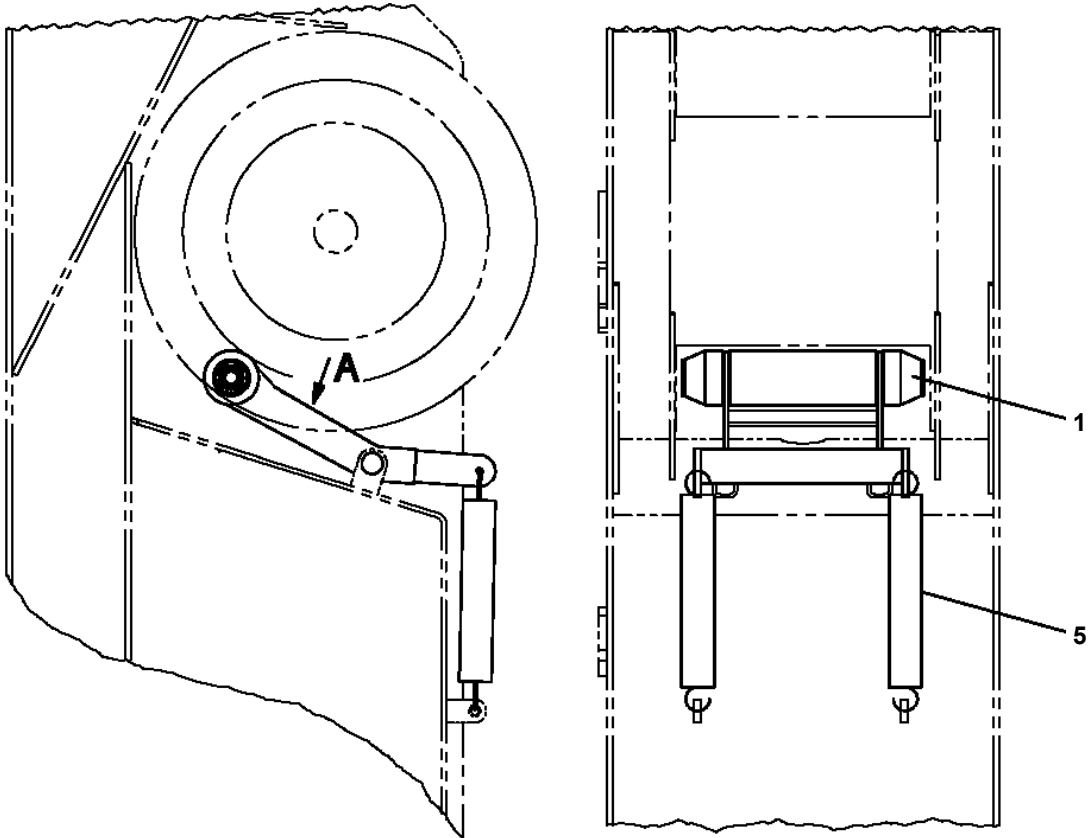
- Thank you very much for reading the preview of the manual.
- You can download the complete manual from: [www.heydownloads.com](http://www.heydownloads.com) by clicking the link below



- Please note: If there is no response to CLICKING the link, please download this PDF first and then click on it.

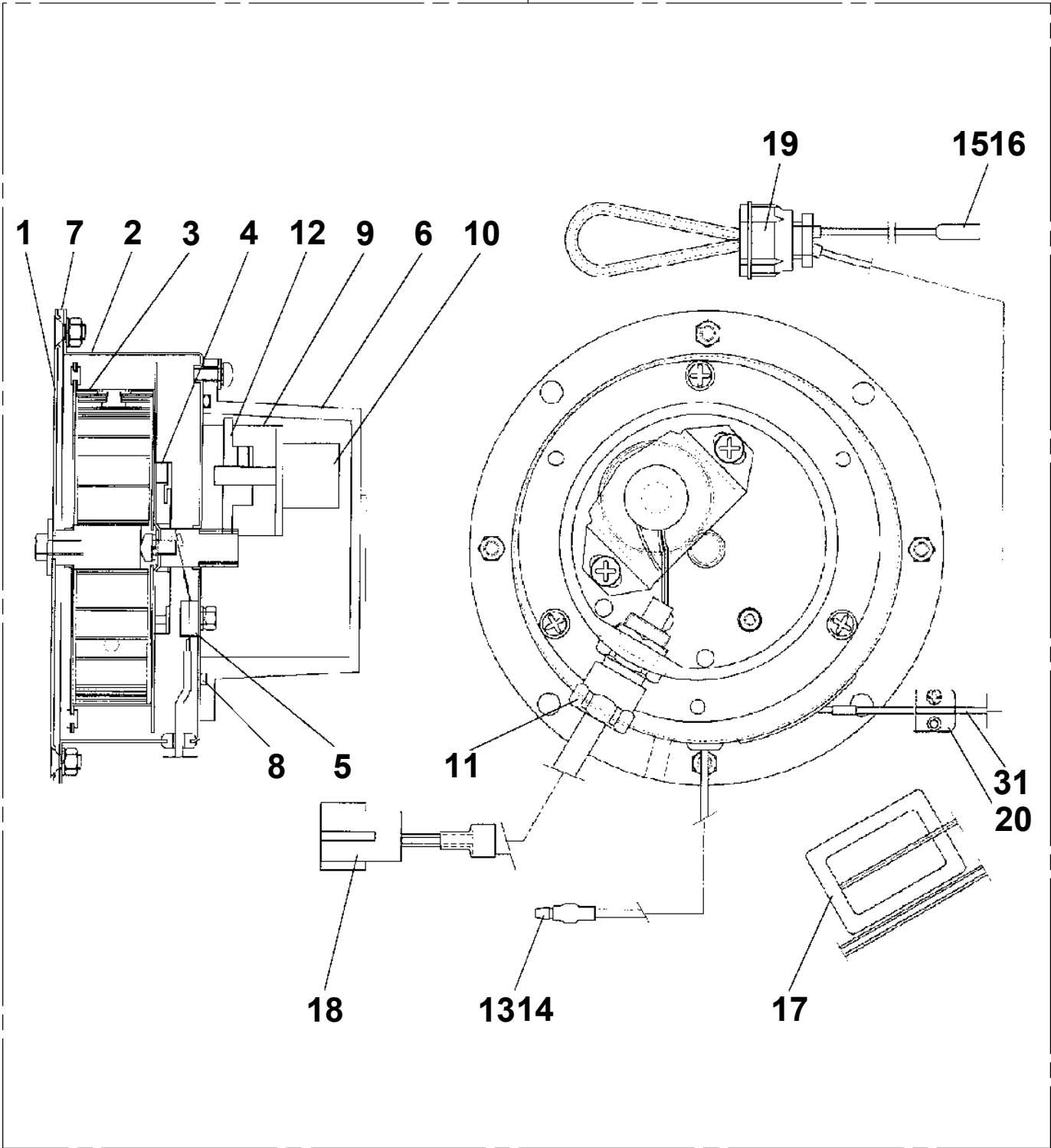
CLICK HERE TO **DOWNLOAD** THE COMPLETE MANUAL

TM-ZR500 31094010340A FRAME/STD, MANUAL, HOOK-IN  
PF1180067-01 DETECTOR, DISORDERLY WINDING

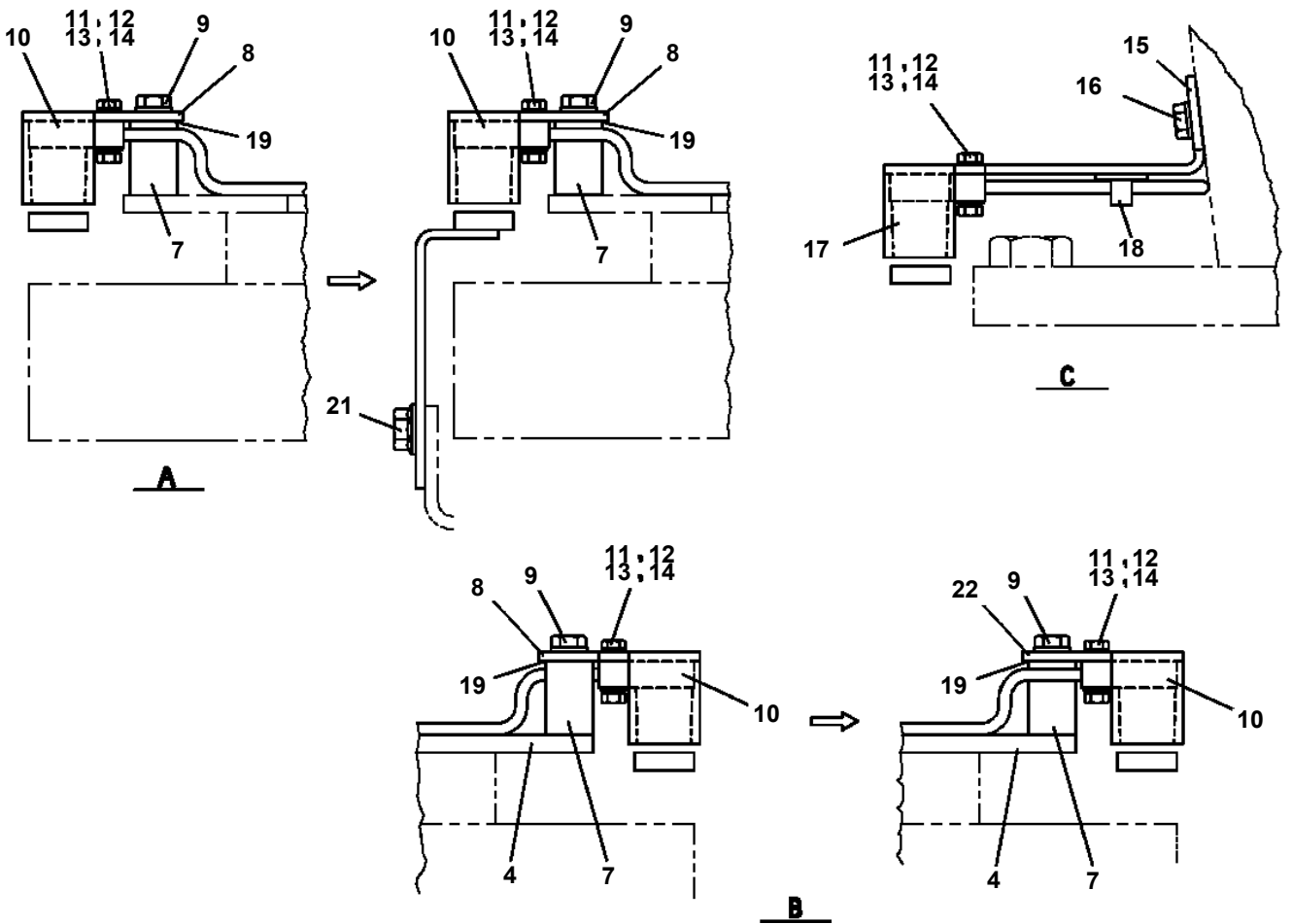
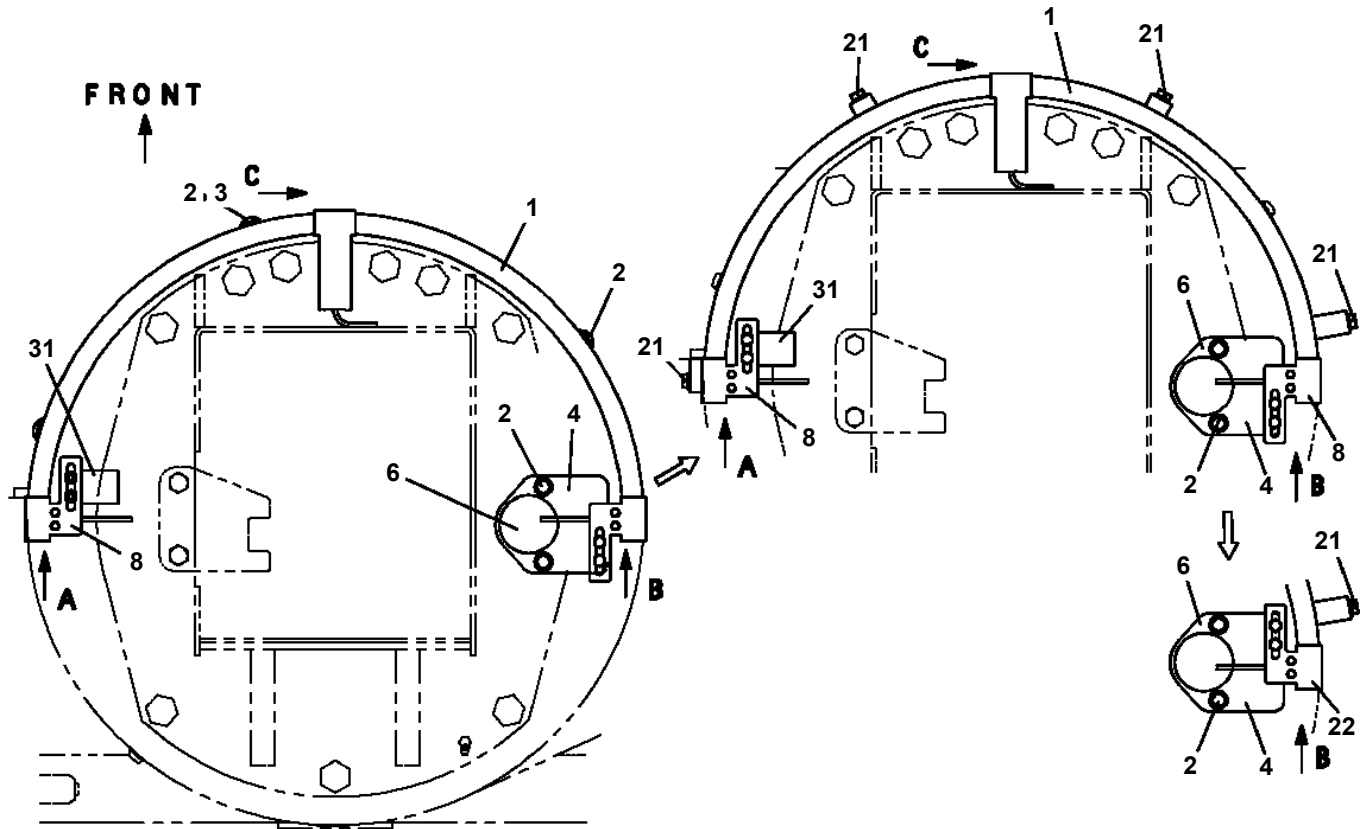


TM-ZR500 31094010340A FRAME/STD,MANUAL,HOOK-IN  
PG1130135-00 DETECTOR,BOOM LENGTH

100

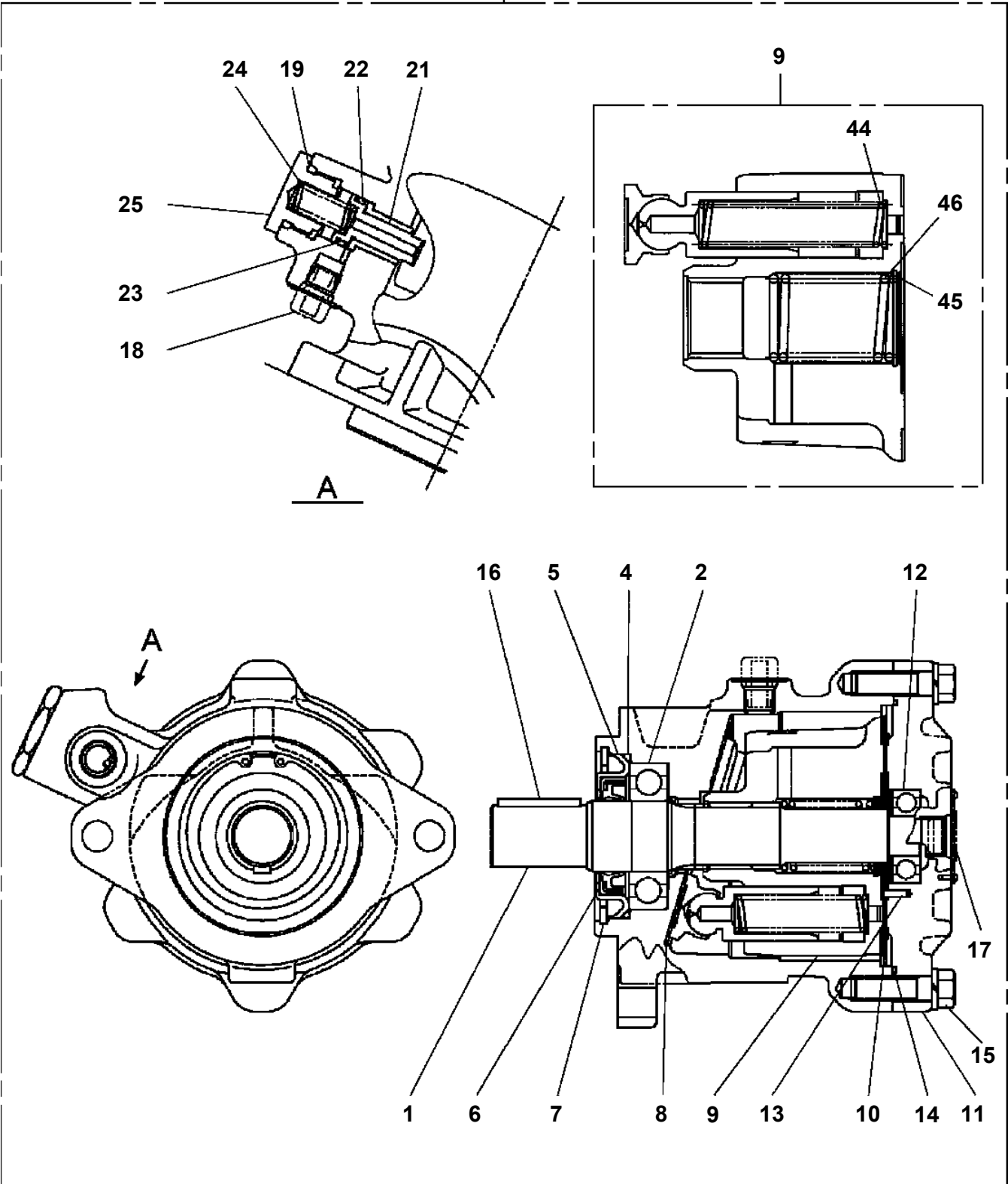


**TM-ZR500 31094010340A FRAME/STD,MANUAL,HOOK-IN  
PH1080013-02 DETECTOR,AREA (SWING DETECTOR S/W)**

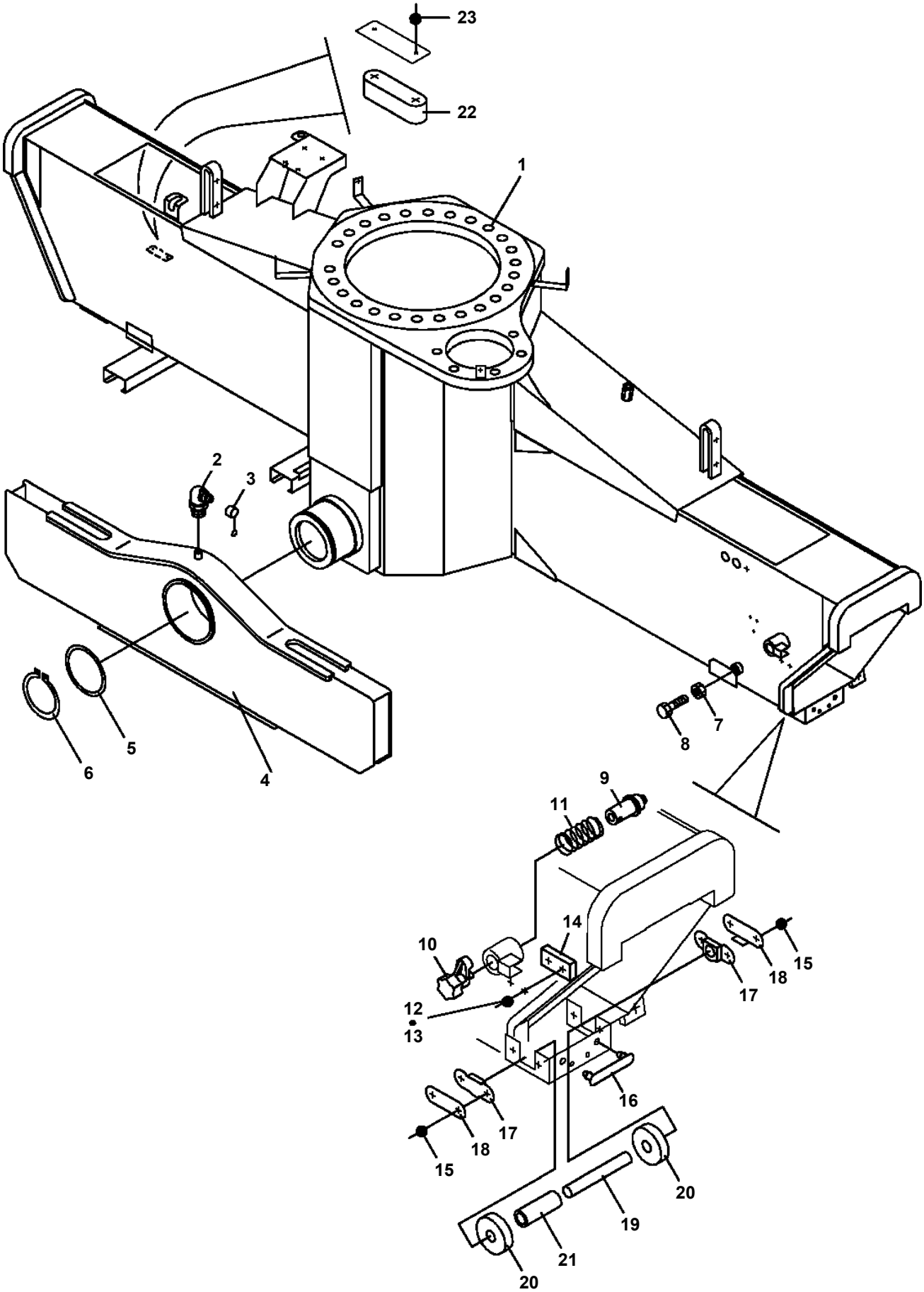


TM-ZR500 31094010340A FRAME/STD,MANUAL,HOOK-IN  
PI1010223-01 MOTOR,HYDRAULIC

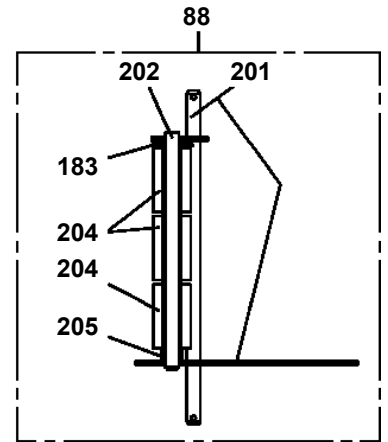
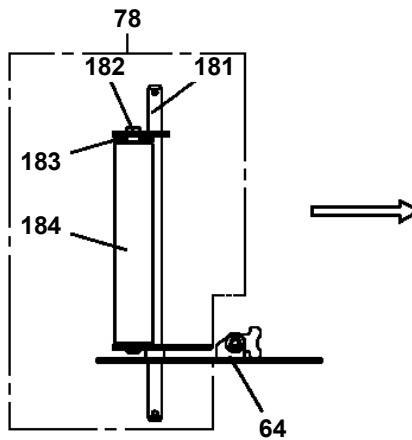
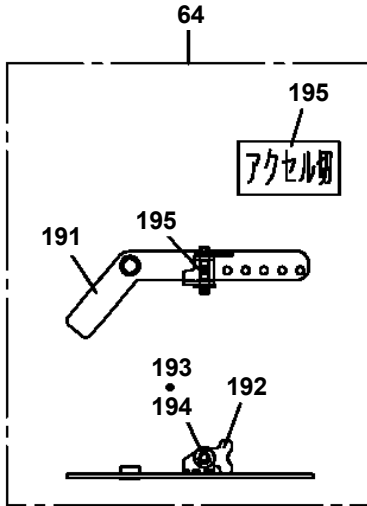
200



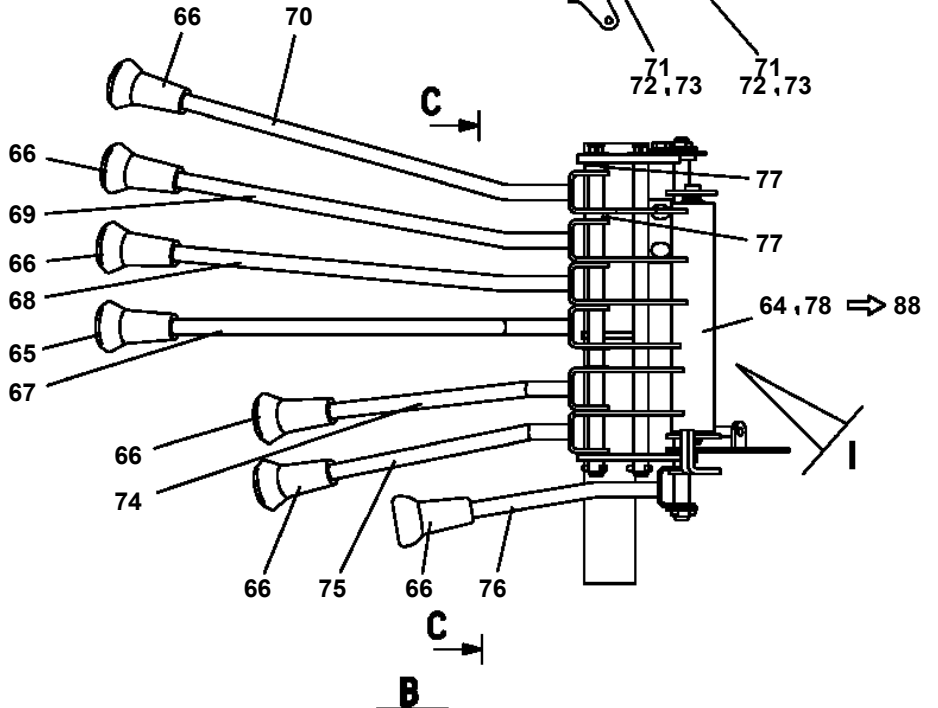
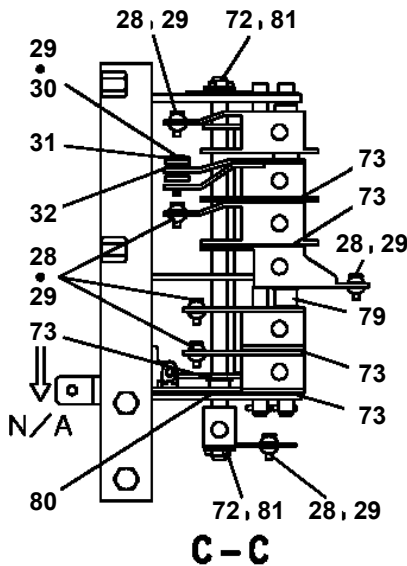
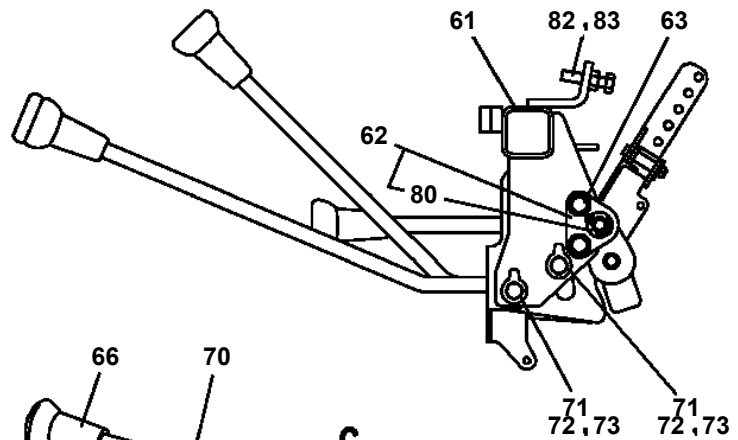
TM-ZR500 31094010340A FRAME/STD,MANUAL,HOOK-IN  
PK1010610-00 FRAME



**TM-ZR500 31094010340A FRAME/STD,MANUAL,HOOK-IN  
 PL1010855-05 OPE.ASSY,CONT.VALVE (CRANE)**



**I**



**B**

# TM-ZR500 31094010340A FRAME/STD,MANUAL,HOOK-IN

Pos No.	Parts No	Parts Name	Qty	Unit	Technical Data	Serial No (Start)	Serial No (End)	Rema
1	91850100802	CLAMP	2					
2	91810130240	FASTENER	19					
3	31360741200	HARNESS	1					
4	31360191200	SUPPORT	1					
5	90203201200	NUT	1		M12			
6	36140470000	DETECTOR,BOOM ANGLE	1					
7	90186206010	BOLT,FLANGE	29		M6X10			
8	31360741300	LAMP ASSY	2					
9	82100002015	CLAMP	2		WRC20			
10	91850310305	CLAMP	6					
11	31360191010	COVER (CORRUGATE TUBE)	1		L=1500			
12	90303070601	WASHER,PLAIN	6		6			
13	82100002596	RELAY	3					
14	90101205010	BOLT	4		M5X10			
15	90302040501	WASHER,SPRING	4		5			
16	31360961100	COVER ASSY	1					
17	31360961200	HARNESS	1					
18	31360961300	SUPPORT	2					
19	31360741700	SUPPORT	1					
20	31653303300	SWITCH ASSY (MATSUSHITA)	1					
21	82197600101	CAP (BLACK)	1					
22	31360243001	INDICATOR ASSY	1					
23	44630111170	SPACER	2					
24	90186206035	BOLT,FLANGE	2		M6X35			
25	82161201010	RELAY	1					
26	31360961400	SUPPORT	1					
27	42433333400	LAMP ASSY (GREEN) <24V)	1					
28	42433333300	LAMP ASSY (RED)<24V)	1					
29	31360191600	BUZZER ASSY	1					
30	31360201400	SUPPORT	1					
41	82199444326	LAMP (YELLOW) <24V 12W)	2					
42	31360741310	SUPPORT	2					
51	31360961110	COVER	1					
52	31360741420	PLATE	1					
53	31360741430	SEAL	1					
62	31360247510	BOARD,PRINT	1					

# TM-ZR500 31094010340A FRAME/STD,MANUAL,HOOK-IN

Pos No.	Parts No	Parts Name	Qty	Unit	Technical Data	Serial No (Start)	Serial No
1	37002221820	PLATE,NAME (TELESCOPE/RET/EXT.)	1				
2	37002221830	PLATE,NAME (WINCH/UP,DOWN)	1				
3	37002221840	PLATE,NAME (ELEVATING/UP,DOWN)	1				
4	37002221850	PLATE,NAME (SWING/RIGHT,LEFT)	2				
5	37002221860	PLATE,NAME (RIGHT JACK/RET/EXT)	1				
6	37002221870	PLATE,NAME (LEFT JACK/RE/EXT)	1				
7	37002221880	PLATE,NAME (ACCEL./HI LO,LOCK)	1				
8	37002221890	PLATE,NAME (TELESCOPE/EXT/RET)	1				
9	37002221900	PLATE,NAME (WINCH/DOWN,UP)	1				
10	37002221910	PLATE,NAME (ELEVATING/DOWN,UP)	1				
11	37002221920	PLATE,NAME (RIGHT JACK/EXT/RET)	1				
12	37002221930	PLATE,NAME (L/JACK/EXT/RET.)	1				
13	37002221940	PLATE,NAME (ACCEL./LOCK,LO HI)	1				
14	37002221950	PLATE,NAME (HOOK STOWING,L)	1				
15	37002221960	PLATE,NAME (HOOK STOWING,R)	1				
16	31396310220	PLATE,CAUTION (WARNING/CRANE OPE)	2				
17	37002221980	PLATE,NAME (ACCEL.OFF)	1				
18	31490470220	PLATE,NAME (HORN-OVER WIND)	1				
19	31490470210	PLATE,NAME (BUZZER-HORN)	1				
20	31396310210	PLATE,CAUTION (WARNING/OUTRIGGER)	2				
21	37002223140	PLATE,CAUTION (CRUSH HAZARD)	2				
22	37002223150	PLATE,CAUTION (CRUSH HAZRRD)	2				
23	14137207000	PLATE,NAME (GREASE)	5				
24	37002221970	PLATE,NAME (BOOM STOWING)	1				
25	37002200320	PLATE,NAME	1				
26	37002205300	PLATE,NAME (LEVEL)	1				
27	31490470230	PLATE,CAUTION (EMERGENCY CRANE )	1				
28	37002223160	PLATE,CAUTION (OVERTURNING HAZARD)	2				
29	37002223170	PLATE,CAUTION	2				
30	31491620210	PLATE,CAUTION (DANGER)	2				
31	37002224430	PLATE,NAME (REPLACE FACINGS)	1				
32	37002224440	PLATE,NAME	1				

CLICK HERE TO **DOWNLOAD** THE COMPLETE MANUAL

- Thank you very much for reading the preview of the manual.
- You can download the complete manual from: [www.heydownloads.com](http://www.heydownloads.com) by clicking the link below



- Please note: If there is no response to CLICKING the link, please download this PDF first and then click on it.

CLICK HERE TO **DOWNLOAD** THE COMPLETE MANUAL