

TM-ZR300 31014010860A FRAME/STD,REMOTE-RADIO CONT.,HOOK-IN
PB000024-02 SYSTEM (ZR300,DOMESTIC)
ASSEMBLY

CLICK HERE TO **DOWNLOAD** THE COMPLETE MANUAL

- Thank you very much for reading the preview of the manual.
- You can download the complete manual from: www.heydownloads.com by clicking the link below



- Please note: If there is no response to CLICKING the link, please download this PDF first and then click on it.

CLICK HERE TO **DOWNLOAD** THE COMPLETE MANUAL

TM-ZR300 31014010860A FRAME/STD,REMOTE-RADIO CONT.,HOOK-IN

Pos No.	Parts No	Parts Name	Qty	Unit	Technical Data	Serial No (Start)	Serial No (End)	Remarks	Pages
1	36400940000	POWER TAKE OFF	1						00001
	31791000000	POWER TAKE OFF	1						00002
	31792360000	POWER TAKE OFF	1						00003
	31790780000	POWER TAKE OFF	1						00001
	31792380000	POWER TAKE OFF	1						00003
	36400950000	POWER TAKE OFF	1						00001
	36401040000	POWER TAKE OFF	1						00001
	31792370000	POWER TAKE OFF	1						00003
	31790770000	POWER TAKE OFF	1						00001
	31791970000	POWER TAKE OFF	1						00001
	31790810000	POWER TAKE OFF	1						00001
2	31790960000	POWER TAKE OFF	1						00002
	31792510000	POWER TAKE OFF	1						00004
	31790940000	POWER TAKE OFF	1						00002
	31792040000	POWER TAKE OFF	1						00002
	31792050000	POWER TAKE OFF	1						00003
	31790690000	POWER TAKE OFF	1						00000
	31791060000	POWER TAKE OFF	1						00003
	31791650000	POWER TAKE OFF	1						00000
	31790920000	POWER TAKE OFF	1						00002
	31791140000	POWER TAKE OFF	1						00003
	31791300000	POWER TAKE OFF	1						00000
3	31790930000	POWER TAKE OFF	1						00002
	31790910000	POWER TAKE OFF	1						00002
	31791240000	POWER TAKE OFF	1						00003
	31791270000	POWER TAKE OFF	1						00003
	31790980000	POWER TAKE OFF	1						00002
4	31791020000	POWER TAKE OFF	1						00002
	31792010000	POWER TAKE OFF	1						00003
	31790830000	POWER TAKE OFF	1						00001
	31790840000	POWER TAKE OFF	1						00002
	31790850000	POWER TAKE OFF	1						00001
	31790750000	POWER TAKE OFF	1						00000
	31791950000	POWER TAKE OFF	1						00001
31790740000	POWER TAKE OFF	1						00000	

TM-ZR300 31014010860A FRAME/STD,REMOTE-RADIO CONT.,HOOK-IN

Pos No.	Parts No	Parts Name	Qty	Unit	Technical Data	Serial No (Start)	Serial No (End)	Remarks	Pages
1	36400785010	CASE	1						
2	36400765020	GEAR	1						
3	36400775010	SHAFT	1						
4	36400765040	SLEEVE	1						
5	36400095100	SHIFTER ASSY	1						
6	36400095110	PACKING	1						
7	80500006006	BEARING,BALL	1						
8	36400765050	BEARING,NEEDLE	1						
9	36400765060	BEARING	1						
10	36400765070	BEARING	1						
11	91206030005	SEAL,OIL	1						
12	36400095070	COVER (BEARING)	1						
13	36400095080	PACKING (COVER)	1						
14	36400095090	SHIM	N						
15	90191208014	BOLT	3		M8X14				
16	90302040801	WASHER,SPRING	7		8				
17	90191208020	BOLT	4		M8X20				
18	90193512090	BOLT	2						
19	90302041201	WASHER,SPRING	4		12				
20	36400785020	BOLT,STUD	2						
21	90267401200	NUT	2						
22	36400765110	PACKING (CASE)	1						
23	36400795010	PLATE,NAME	1						
25	31790680100	SUPPORT	1						
50	36400790000	POWER TAKE OFF	1						
100	31790740000	POWER TAKE OFF	1						

TM-ZR300 31014010860A FRAME/STD,REMOTE-RADIO CONT.,HOOK-IN

Pos No.	Parts No	Parts Name	Qty	Unit	Technical Data	Serial No (Start)	Serial No (End)	Remark
2	36400956010	CASE (P.T.O)	1					
3	51630103020	SHAFT (POWER TAKE OFF)	1					
4	51630103030	BEARING,NEEDLE	1					
6	36400955010	GEAR	1					
7	51630103050	WASHER	2					
8	51630103060	PIN,SPRING	1					
9	36400955020	SHAFT (OUTPUT)	1					
10	51630103080	BEARING,NEEDLE	2					
12	51630103090	GEAR,OUTPUT	1					
13	51630103100	WASHER	1					
15	51630103110	SLEEVE	1					
16	80500006206	BEARING,BALL	3					
17	52630106230	COVER (FRONT)	1					
18	36400955030	ADAPTER	1					
19	51630103140	GASKET	2					
20	51630103150	BOLT	4					
21	36400956020	BOLT	4		M8X1.25X30			
22	36400955050	SEAL,OIL	1					
25	51630103170	SHAFT	1					
26	51630103180	FORK	1					
27	51630103190	BOLT	1					
28	36400956030	PIN	1					
29	52630106190	SPRING	1					
30	51630103200	PLUG	1					
31	51630103210	PLUG	1					
32	51630103220	SEAL,OIL	1					
33	51630103230	BOLT	1					
35	51630103240	NUT	1					
36	51630103250	GASKET	1					
37	51630103260	GASKET	1					
38	36400315040	BOLT	6					
40	36400955060	COUPLING	1					
41	36400955070	RING,STOP	1					
50	36400950000	POWER TAKE OFF	1					

TM-ZR300 31014010860A FRAME/STD,REMOTE-RADIO CONT.,HOOK-IN

Pos No.	Parts No	Parts Name	Qty	Unit	Technical Data	Serial No (Start)	Serial No (End)	Remarks	Pages
1	36400915010	CASE	1						
2	36400915020	GEAR	1						
3	36400915030	SHAFT	1						
4	36400915040	GEAR	1						
5	36400395050	SHAFT	1						
6	36400095100	SHIFTER ASSY	1						
7	36400095110	PACKING	1						
8	36400095070	COVER (BEARING)	1						
9	36400095080	PACKING (COVER)	1						
10	36400095090	SHIM	1						
11	36400675030	COLLAR	1						
12	80500006206	BEARING,BALL	2						
13	36400915050	BEARING	2						
14	80602110620	RING,RITAINING	2		R62				
15	91206030005	SEAL,OIL	1						
16	90191206012	BOLT	1		M6X12				
17	36400095130	WASHER	1						
18	90191208014	BOLT	3		M8X14				
19	90191208020	BOLT	4		M8X20				
20	90302040801	WASHER,SPRING	7		8				
21	36400915060	PACKING	1						
22	36400435120	BOLT,STUD	6						
23	90267401200	NUT	6						
24	90302041201	WASHER,SPRING	6		12				
27	31790670100	SUPPORT	1						
50	36400910000	POWER TAKE OFF	1						
100	31791950000	POWER TAKE OFF	1						

TM-ZR300 31014010860A FRAME/STD,REMOTE-RADIO CONT.,HOOK-IN

Pos No.	Parts No	Parts Name	Qty	Unit	Technical Data	Serial No (Start)	Serial No (End)	Remarks	Pages
1	36401365010	CASE	1						
2	36401355010	GEAR	1						
3	36401355020	SHAFT	1						
4	36400095040	SHAFT	1						
5	36400095050	COLLAR	1						
6	36401355030	GEAR	1						
7	36400095070	COVER (BEARING)	1						
8	36400095080	PACKING (COVER)	1						
9	36400095090	SHIM	1						
10	36400095100	SHIFTER ASSY	1						
11	36400095110	PACKING	1						
12	80500006206	BEARING,BALL	2						
13	36400095120	BEARING	2						
14	80602110520	RING,RITAINING	2		R52				
15	91206030005	SEAL,OIL	1						
16	90101206012	BOLT	1		M6X12				
17	36400095130	WASHER	1						
18	90191208020	BOLT	4		M8X20				
19	90191208014	BOLT	3		M8X14				
20	90302040801	WASHER,SPRING	7		8				
21	36400345010	SPACER	1						
22	36400335030	SHIM	1						
23	90191210035	BOLT	4		M10X35				
24	36401355040	BOLT	4						
25	90267201000	NUT	4		M10				
26	90302041001	WASHER,SPRING	8		10				
28	31790680100	SUPPORT	1						
29	90191208025	BOLT	2		M8X25				
50	36401350000	POWER TAKE OFF	1						
100	31790930000	POWER TAKE OFF	1						

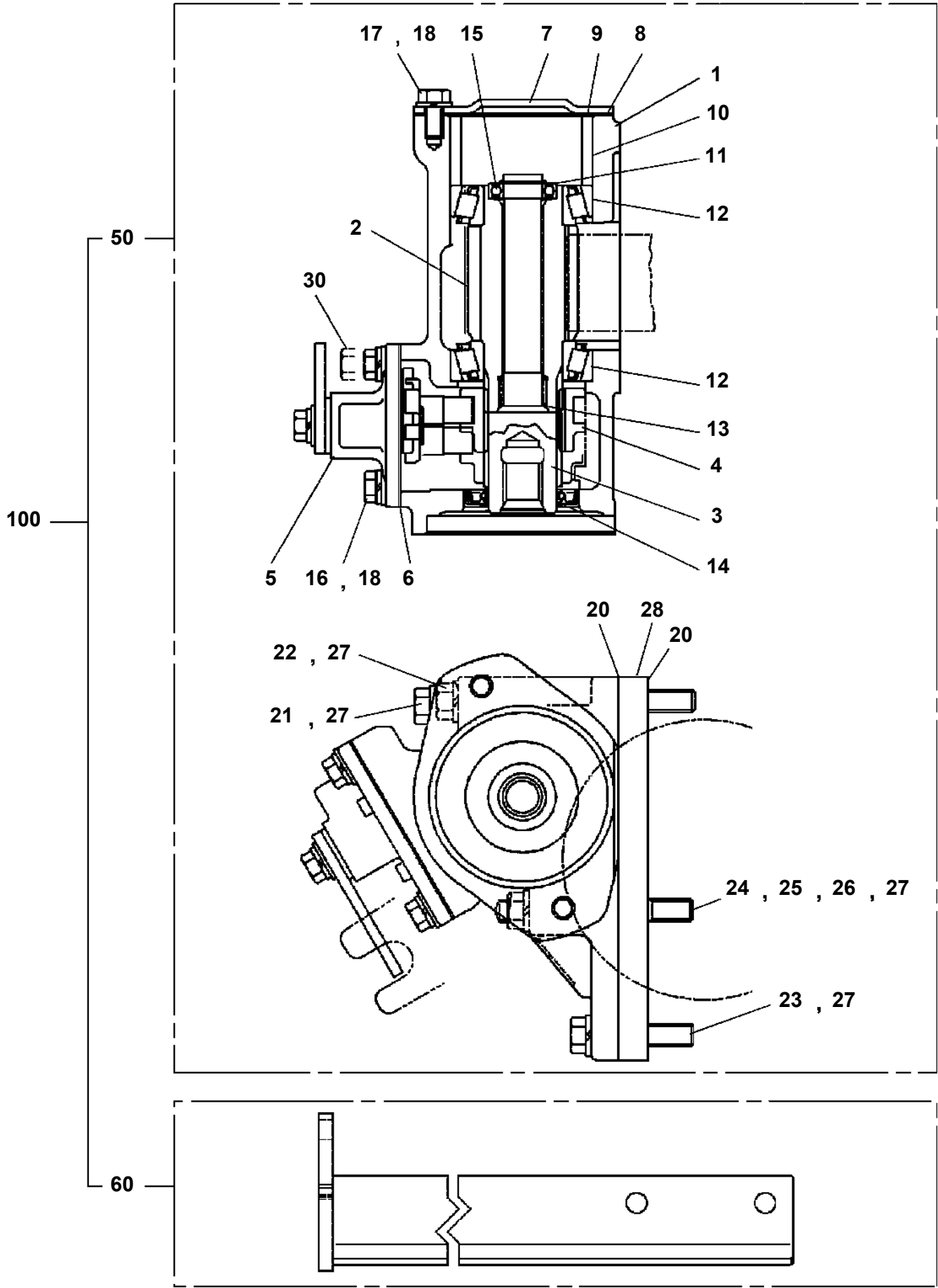
TM-ZR300 31014010860A FRAME/STD,REMOTE-RADIO CONT.,HOOK-IN

Pos No.	Parts No	Parts Name	Qty	Unit	Technical Data	Serial No (Start)	Serial No (End)	Remarks	Page
1	36400895010	CASE	1						
2	36401115010	GEAR	1						
3	36400895030	SHAFT	1						
4	36401115020	GEAR	1						
5	36400415050	SHAFT	1						
6	36400415060	COLLAR	1						
7	36400215070	COLLAR	2						
8	36400225110	SHIFTER SET	1						
9	36400095110	PACKING	1						
10	36400095070	COVER (BEARING)	1						
11	36400095080	PACKING (COVER)	1						
12	36400095090	SHIM	N						
13	80500006206	BEARING,BALL	2						
14	36400415090	BEARING,NEEDLE	2						
15	91206030005	SEAL,OIL	1						
16	91001102100	O-RING	1		1A P21				
17	90710006120	SCREW,SET	1		M6X12				
18	90191208014	BOLT	3		M8X14				
19	90191208020	BOLT	4		M8X20				
20	90302040801	WASHER,SPRING	7		8				
23	36400415100	PACKING (CASE)	1						
24	90191210030	BOLT	6		M10X30				
25	36400095150	BOLT,STUD	2		M10X1.25/1.5X43				
26	90267201000	NUT	2		M10				
27	90302041001	WASHER,SPRING	8		10				
28	31790720100	SUPPORT	1						
29	90191208025	BOLT	2		M8X25				
49	36400225160	SEAL,OIL	1						
50	36401500000	POWER TAKE OFF	1						
100	31791020000	POWER TAKE OFF	1						

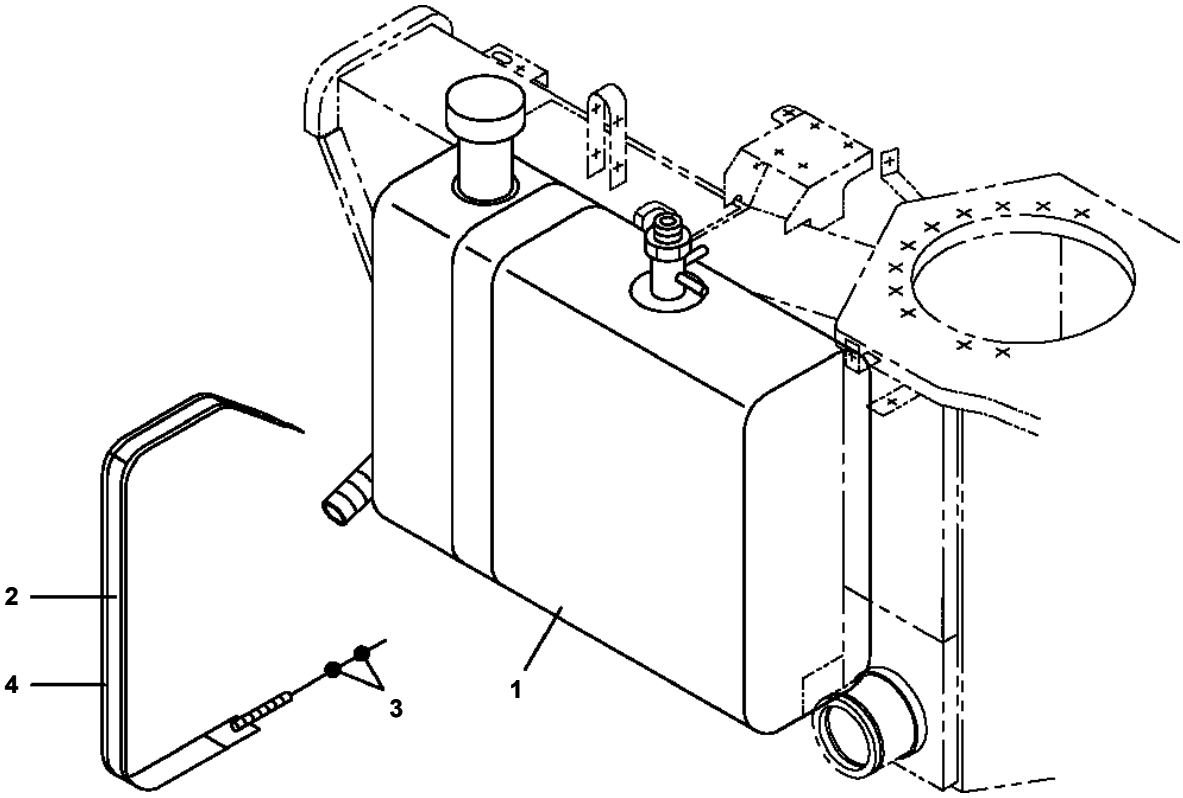
TM-ZR300 31014010860A FRAME/STD,REMOTE-RADIO CONT.,HOOK-IN

Pos No.	Parts No	Parts Name	Qty	Unit	Technical Data	Serial No (Start)	Serial No (End)	Remarks	Page
10	36401840001	POWER TAKE OFF	1						00003
20	31791140100	SUPPORT	1						
100	31791140000	POWER TAKE OFF	1						

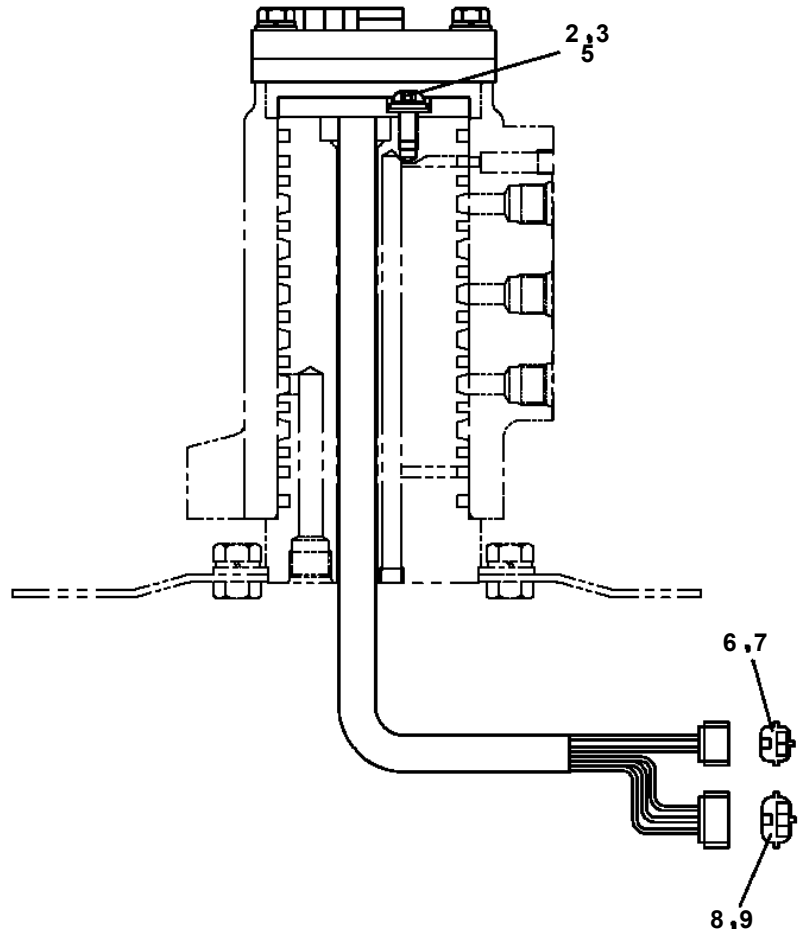
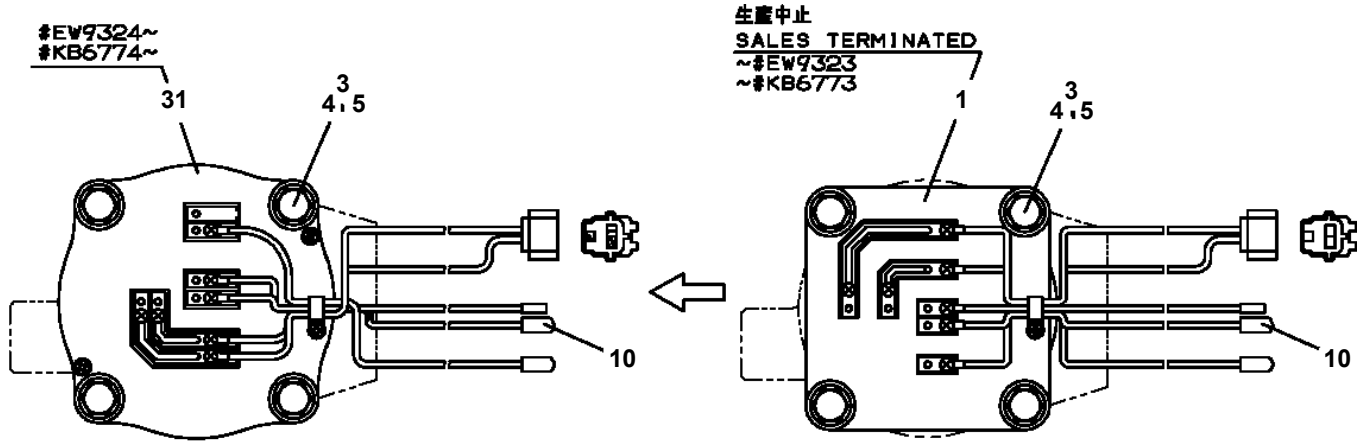
TM-ZR300 31014010860A FRAME/STD,REMOTE-RADIO CONT.,HOOK-IN
PB1030235-01 POWER TAKE OFF



TM-ZR300 31014010860A FRAME/STD,REMOTE-RADIO CONT.,HOOK-IN
PB1130196-02 TANK,OIL (MOUNT)

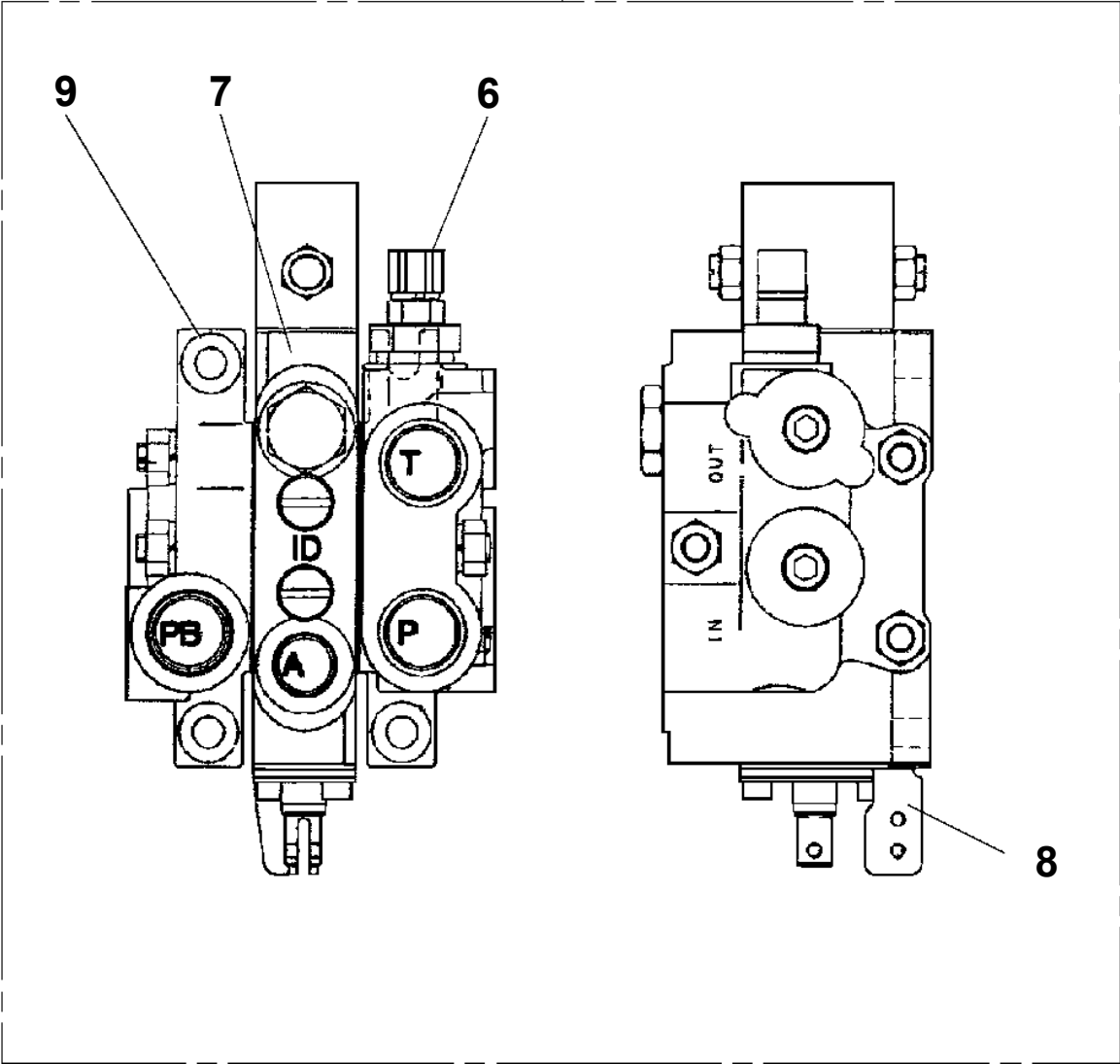


TM-ZR300 31014010860A FRAME/STD,REMOTE-RADIO CONT.,HOOK-IN
PB1300430-01 JOINT,ROTARY (RING ASSY,SLIP)

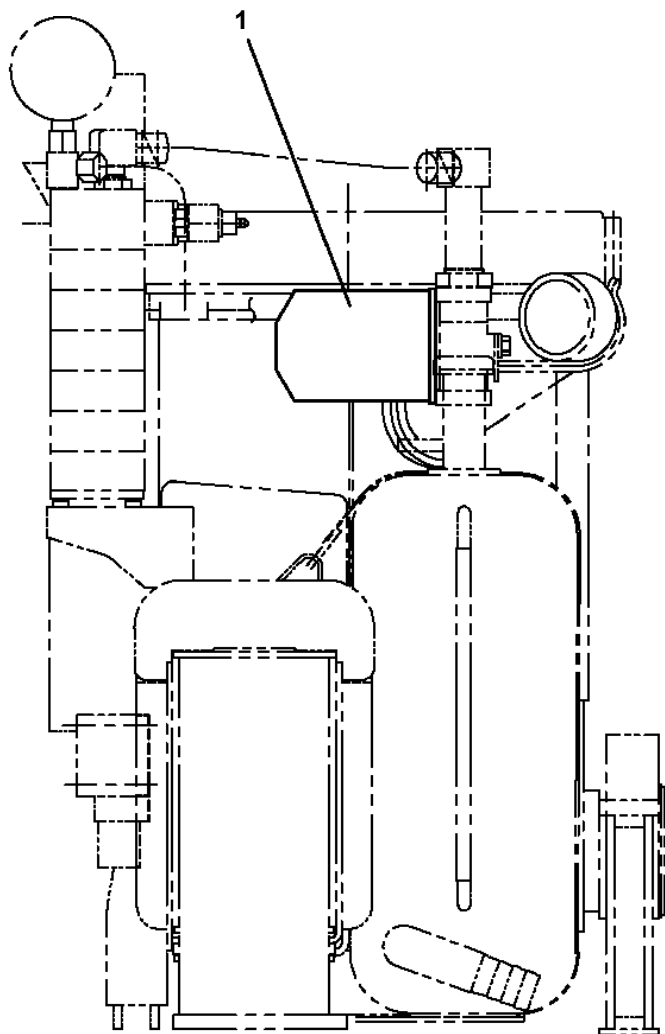


TM-ZR300 31014010860A FRAME/STD,REMOTE-RADIO CONT.,HOOK-IN
PB1320517-00 VALVE,MANUAL CONTROL (DUMP)

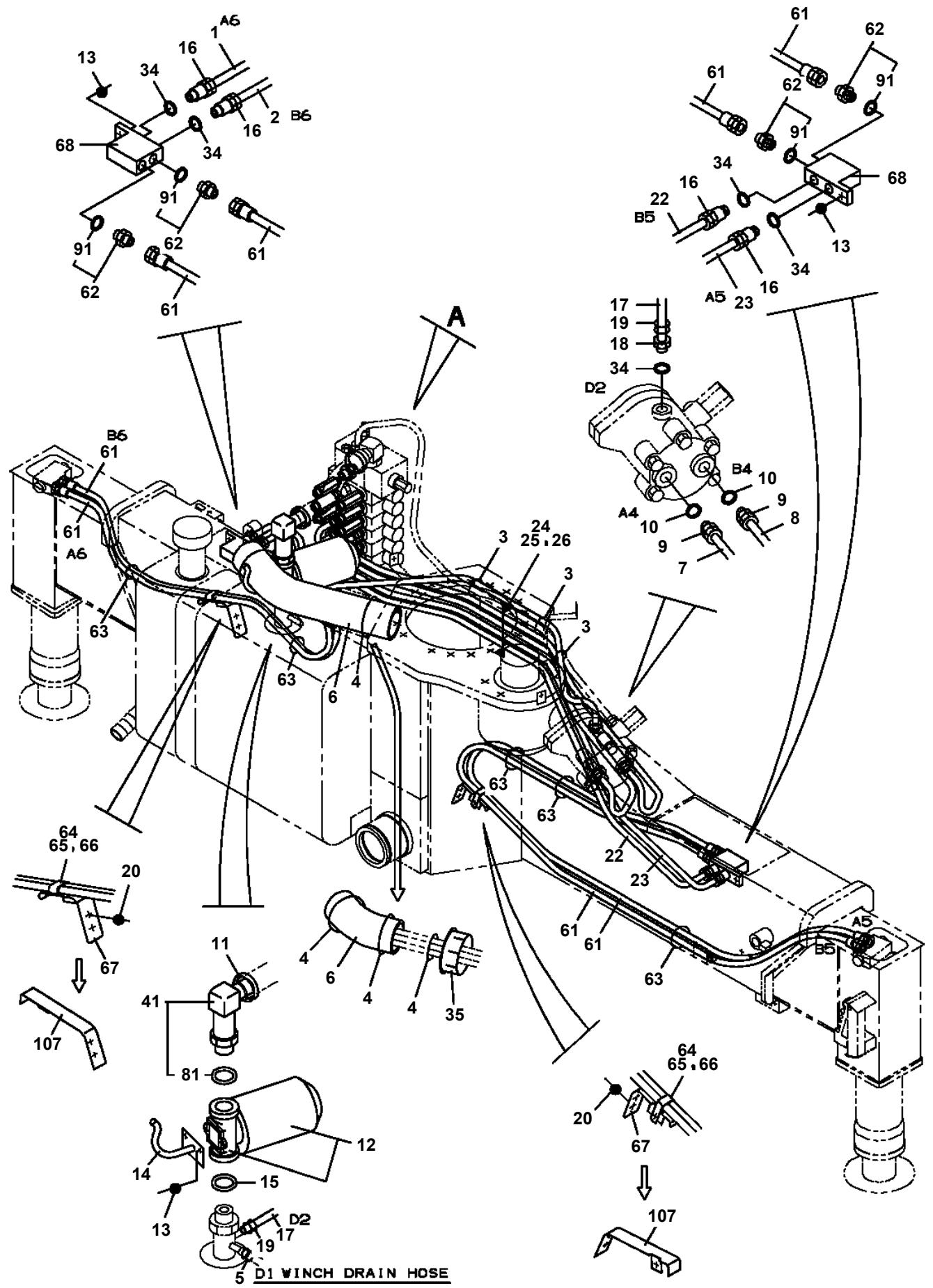
100



**TM-ZR300 31014010860A FRAME/STD,REMOTE-RADIO CONT.,HOOK-IN
PB1410912-01 PIPING,LOWER (REPLACE FILTER)**



**TM-ZR300 31014010860A FRAME/STD,REMOTE-RADIO CONT.,HOOK-IN
PB1411671-02 PIPING,LOWER**



TM-ZR300 31014010860A FRAME/STD,REMOTE-RADIO CONT.,HOOK-IN

Pos No.	Parts No	Parts Name	Qty	Unit	Technical Data	Serial No (Start)	Serial No (End)
1	(*****)	POWER TAKE OFF ASSY (SELECTION)	1				
2	(*****)	PUMP ASSY (SELECTION)	1				

TM-ZR300 31014010860A FRAME/STD,REMOTE-RADIO CONT.,HOOK-IN

Pos No.	Parts No	Parts Name	Qty	Unit	Technical Data	Serial No (Start)	Serial No (End)
1	31612561002	CASE,INNER	1				
2	(*****)	OPE.ASSY,OUTRIGGER	1				
3	(*****)	CYLINDER,JACK (4TON,WITHOUT FLOAT)	1				
4	31620582020	BEARING,BALL (KOYO)	2				
5	80601110150	RING,RITAINING	2		15		
6	37000150360	PIN	1				
21	31621963200	SUPPORT	1				
26	31612569520	SUPPORT	1				
34	31621963101	SUPPORT	1				
41	31611300500	PLATE,NAME (WHITE)	2				
42	31611300600	PLATE,NAME (YELLOW)	2				

TM-ZR300 31014010860A FRAME/STD,REMOTE-RADIO CONT.,HOOK-IN

Pos No.	Parts No	Parts Name	Qty	Unit	Technical Data	Serial No (Start)	Serial N
3	(*****)	OPE.ASSY,CONT.VALVE	1				
4	(*****)	PLATE ASSY,NAME (NOT ROTARY R/J OPE.)	1				
11	(*****)	OUTRIGGER (REAR,MANUAL)	1				
12	(*****)	CYLINDER,JACK (REAR OUTRIGGER)	2				
13	(*****)	PIPING,REAR JACK (2)	1				
21	(*****)	PIPING,REAR JACK (1)	1				
22	36637730000	VALVE,MANUAL CONTROL (R/O,2-BLOCK)	1				
23	(*****)	PIPING,LOWER (MAIN--R/J VALVE)	1				

TM-ZR300 31014010860A FRAME/STD,REMOTE-RADIO CONT.,HOOK-IN

Pos No.	Parts No	Parts Name	Qty	Unit	Technical Data	Serial No (Start)	Serial No (End)
1	91001101000	O-RING	2		1A P10		
2	90172110040	BOLT,HEXAGON SOCKET	2		M10X40		
3	36623930000	VALVE,PILOT CHECK	1				
4	90174110025	BOLT	2		M10X25		
5	80491002020	JOINT (WITH O-RING)	2				
6	(***** 36036290000	CYLINDER,JACK (CAST)	1				
	36036090000	CYLINDER,JACK (FRICTION-WELDED)	1				
	36036090000	CYLINDER,JACK (WELDMENT)	1				
7	37000572180	PLATE	2				
8	99183705012	BOLT,HEXAGON SOCKET	2		M5X12		
9	31612502000	COVER	1				
10	80189305008	SCREW,MACHINE	1		M5X8		
51	91002801100	O-RING	2		1B P11		

TM-ZR300 31014010860A FRAME/STD,REMOTE-RADIO CONT.,HOOK-IN

Pos No.	Parts No	Parts Name	Qty	Unit	Technical Data	Serial No (Start)	Se
1	36036280100	CYLINDER	1				
2	91350208501	BEARING,PLAIN(PACKINGX2+BEARING,PLAINX1)	1				
3	36033920200	PISTON	1				
4	91002903500	O-RING	1		1B G35		
5	36036281000	ROD	1				
6	36032710200	COVER,ROD	1				
7	91002908000	O-RING	1		1B G80		
8	91694007001	PACKING	1				
9	91410207001	RING,BACKUP	1				
10	91660007001	SEAL,DUST	1				
30	36033929900	PACKING SET	1		70X85		
50	36036280000	CYLINDER,JACK (FRICTION-WELDED)	1				

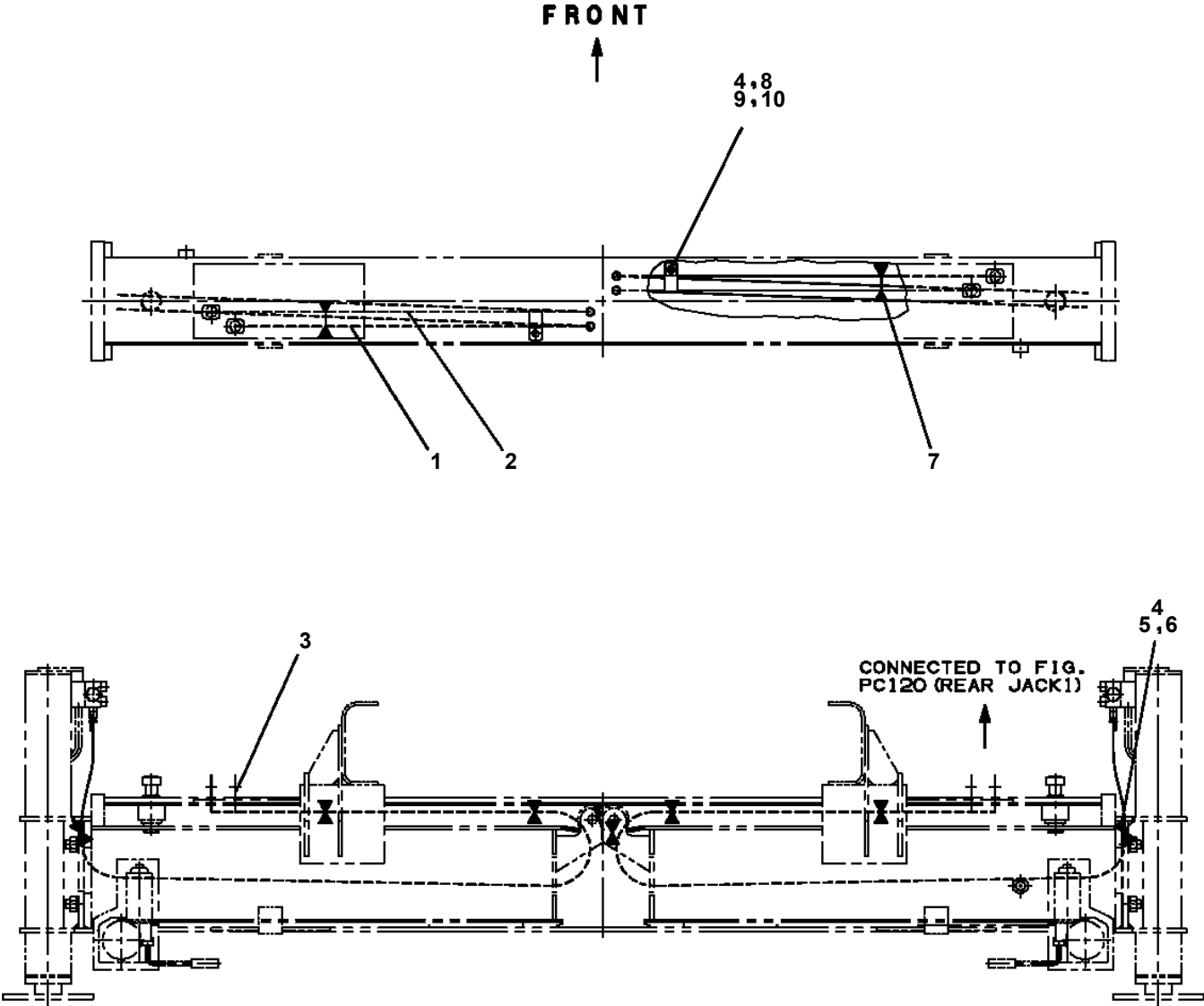
TM-ZR300 31014010860A FRAME/STD,REMOTE-RADIO CONT.,HOOK-IN

Pos No.	Parts No	Parts Name	Qty	Unit	Technical Data	Serial No (Start)	Se
1	36036280100	CYLINDER	1				
2	91350208501	BEARING,PLAIN(PACKINGX2+BEARING,PLAINX1)	1				
3	36033920200	PISTON	1				
4	91002903500	O-RING	1		1B G35		
5	36034091000	ROD	1				
6	36032710200	COVER,ROD	1				
7	91002908000	O-RING	1		1B G80		
8	91694007001	PACKING	1				
9	91410207001	RING,BACKUP	1				
10	91660007001	SEAL,DUST	1				
30	36033929900	PACKING SET	1		70X85		
50	36034980001	CYLINDER,JACK (WELDED)	1				

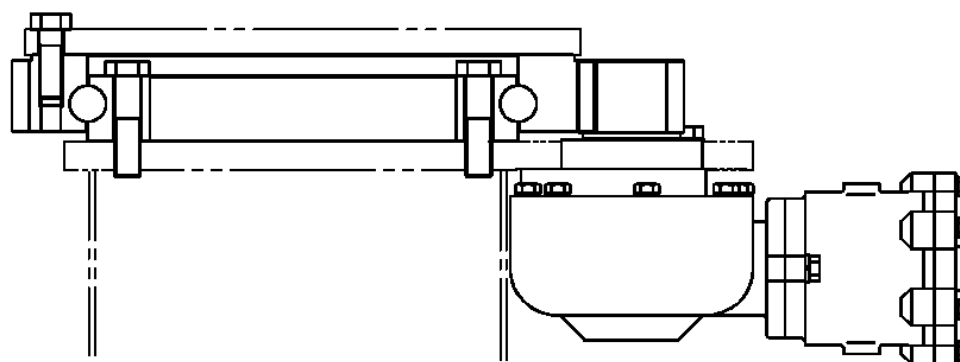
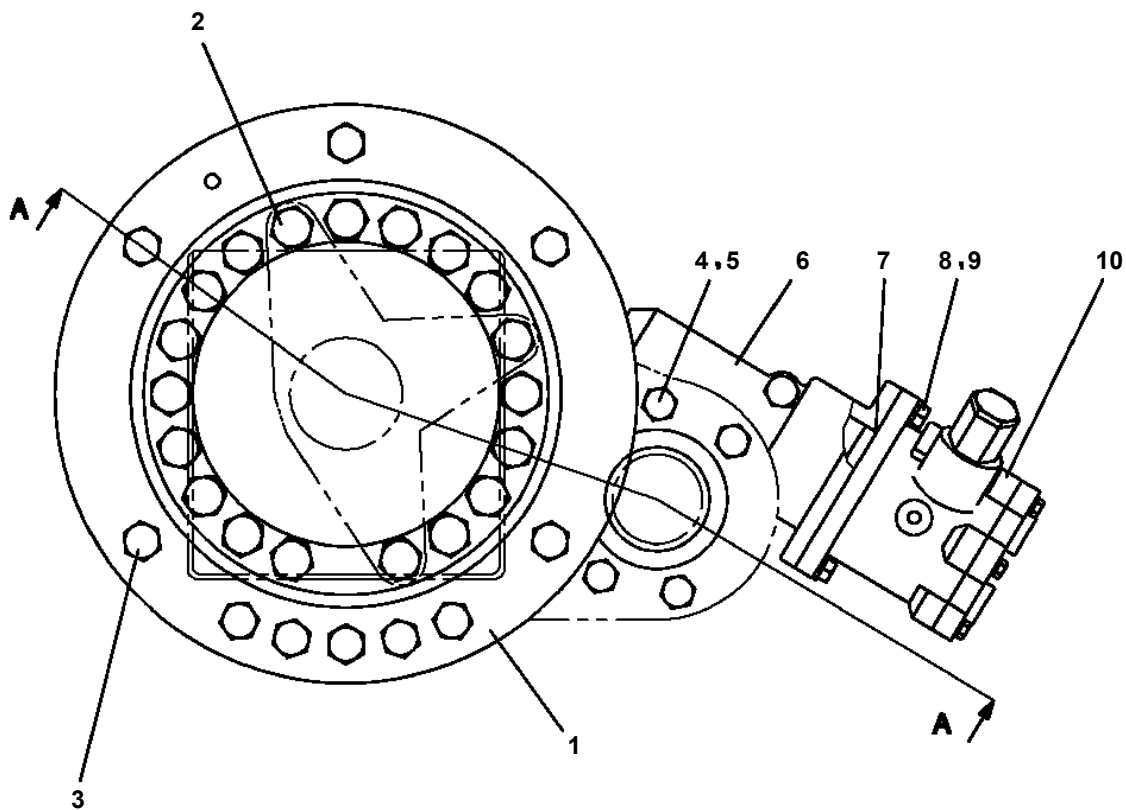
TM-ZR300 31014010860A FRAME/STD,REMOTE-RADIO CONT.,HOOK-IN

Pos No.	Parts No	Parts Name	Qty	Unit	Technical Data	Serial No (Start)	Serial No (End)	Remarks	Pages
1	31361274100	HARNESS	1						
2	91850310305	CLAMP	7						
3	91810130240	FASTENER	18						
4	31360744200	SUPPORT	2						
5	90186206010	BOLT,FLANGE	4		M6X10				
6	31360744300	SUPPORT	2						
7	82108501080	SWITCH	2						

TM-ZR300 31014010860A FRAME/STD,REMOTE-RADIO CONT.,HOOK-IN
PC1230029-00 PIPING,REAR JACK (2)

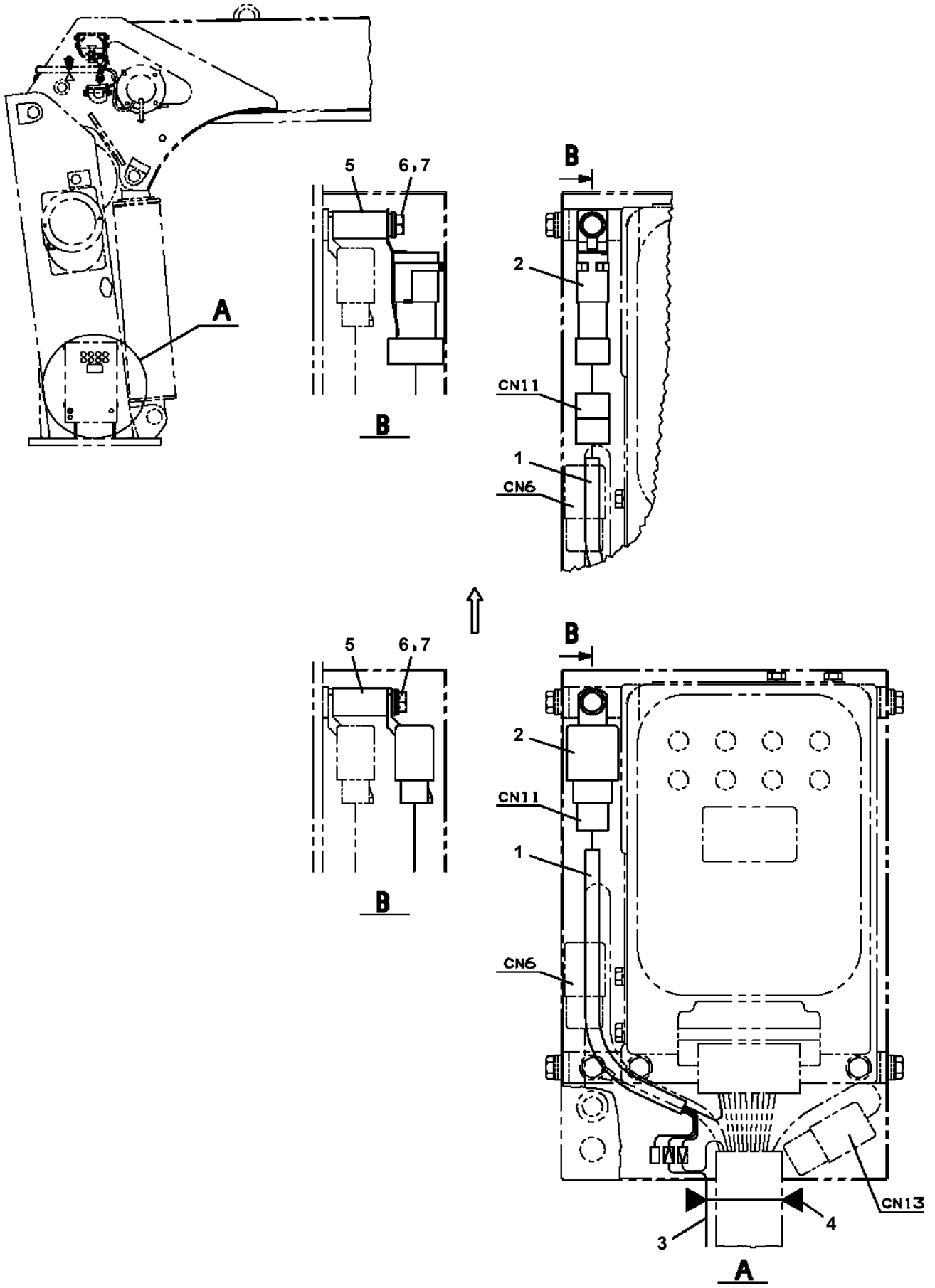


TM-ZR300 31014010860A FRAME/STD,REMOTE-RADIO CONT.,HOOK-IN
PD1010154-01 REDUCER,SWING SPEED (MOUNT)

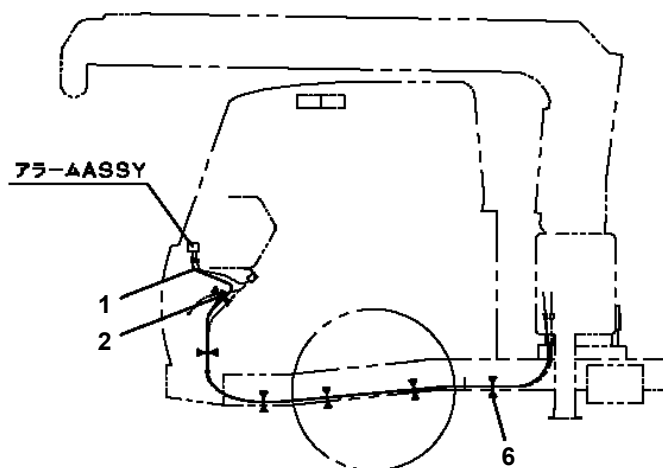


A-A

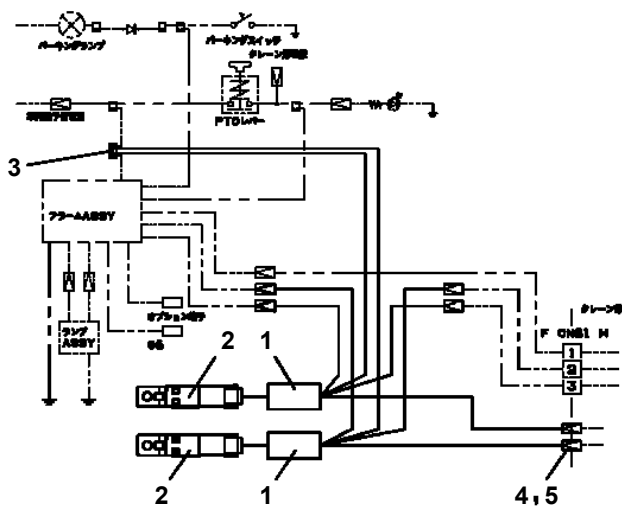
TM-ZR300 31014010860A FRAME/STD,REMOTE-RADIO CONT.,HOOK-IN
PE5020102-01 ELEC.ASSY



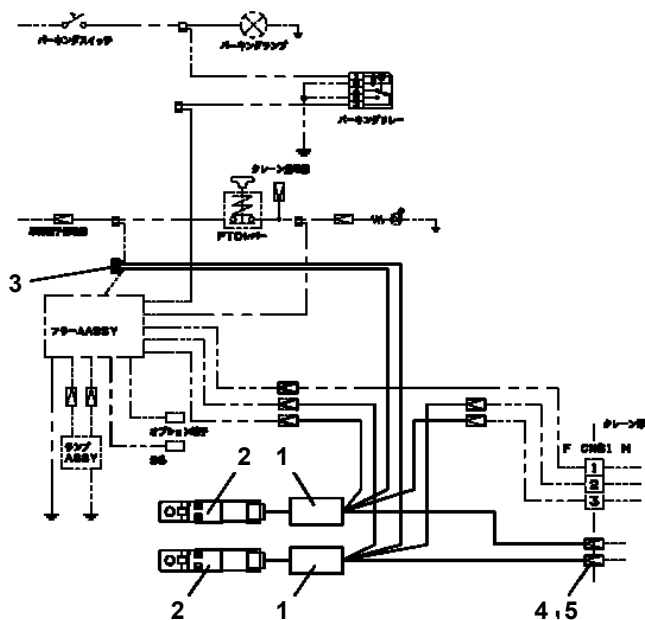
TM-ZR300 31014010860A FRAME/STD,REMOTE-RADIO CONT.,HOOK-IN
PE5020792-01 ELEC.ASSY (CARRIER)



Pタイプ：パーキングランプの下流にパーキングスイッチがある場合



Qタイプ：パーキングランプの上流にパーキングスイッチがある場合



注 意：本図は参考用に掲載しており、形状などは実機と異なります。

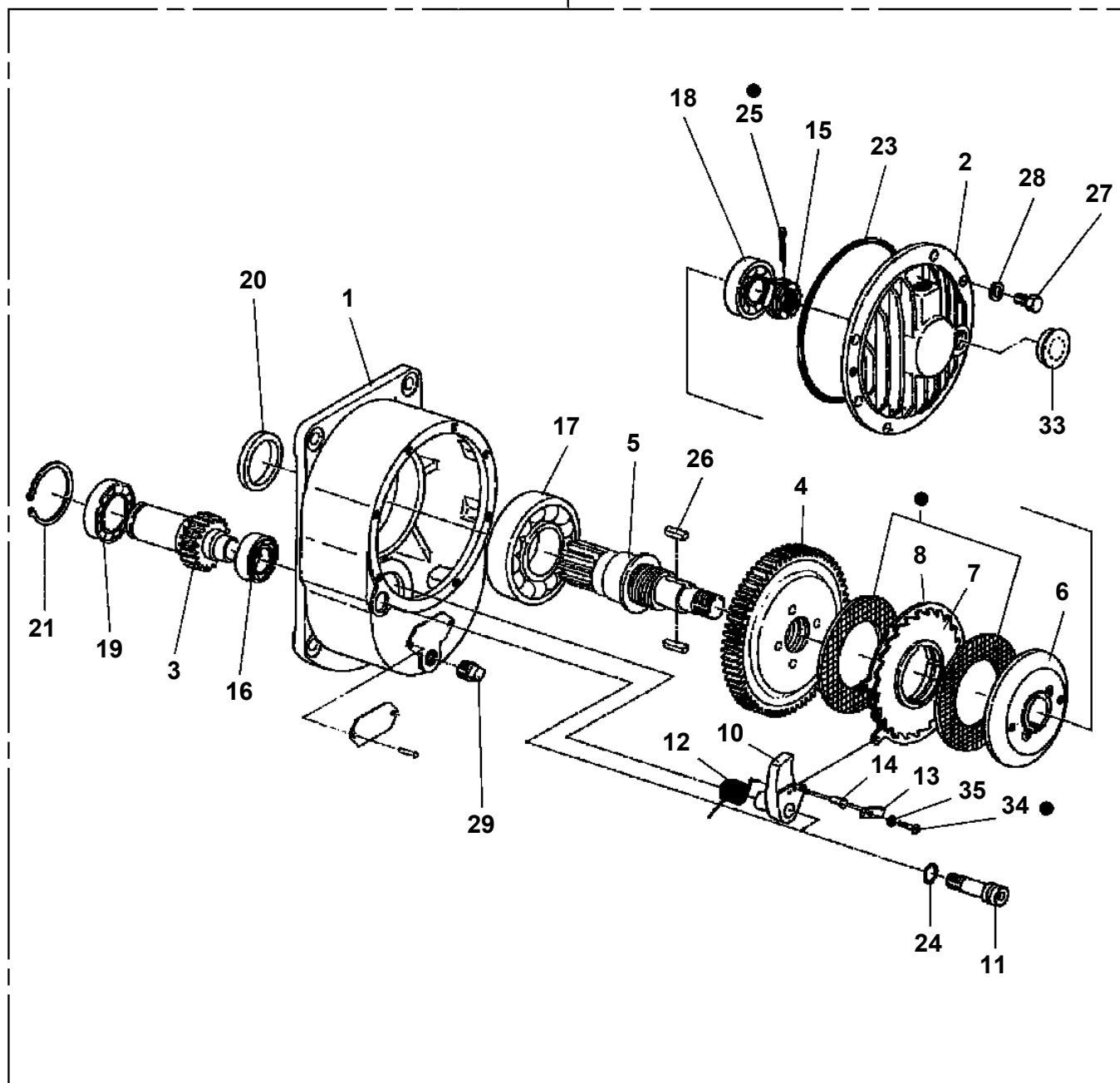
NOTE:THE ABOVE FIGURE IS FOR REFERENCE AND MAY DIFFER FROM THE ACTUAL APPEARANCE OF YOUR MACHINE.

TM-ZR300 31014010860A FRAME/STD,REMOTE-RADIO CONT.,HOOK-IN

Pos No.	Parts No	Parts Name	Qty	Unit	Technical Data	Serial No (Start)	Serial No (End)	Remark
1	31505222101	ALARM ASSY (ASSY ONLY)	1					
2	31475352100	PLATE,NAME	1					
3	31477472200	RELAY ASSY	1					
4	31380174000	LAMP ASSY (ASSY ONLY)	1					
5	82100000191	TERMINAL	1					
6	82100000183	INSULATOR	1					
7	91810130240	FASTENER	10					
8	82115001002	CONNECTOR	7					
9	82100001400	TERMINAL	7					
10	31476362700	PLATE,CAUTION	1					
11	31380292600	SUPPORT	1					
12	80172305020	SCREW,MACHINE	2		M5X20			
13	90302040501	WASHER,SPRING	2		5			
14	90303070501	WASHER,PLAIN	2		5			
15	31477472300	HARNESS	3		L=1000			
16	82100001220	INSULATOR	7					
17	31504322200	RELAY ASSY	1					
18	31475982400	DIODE ASSY	1					
19	90928040101	SCREW,TAPPING	3		M4X10			
20	82115001005	CONNECTOR	7					

**TM-ZR300 31014010860A FRAME/STD,REMOTE-RADIO CONT.,HOOK-IN
PF1010167-02 WINCH (HARTYS)**

100



● : FACING KIT KEY NO.101 (JAPANESE)

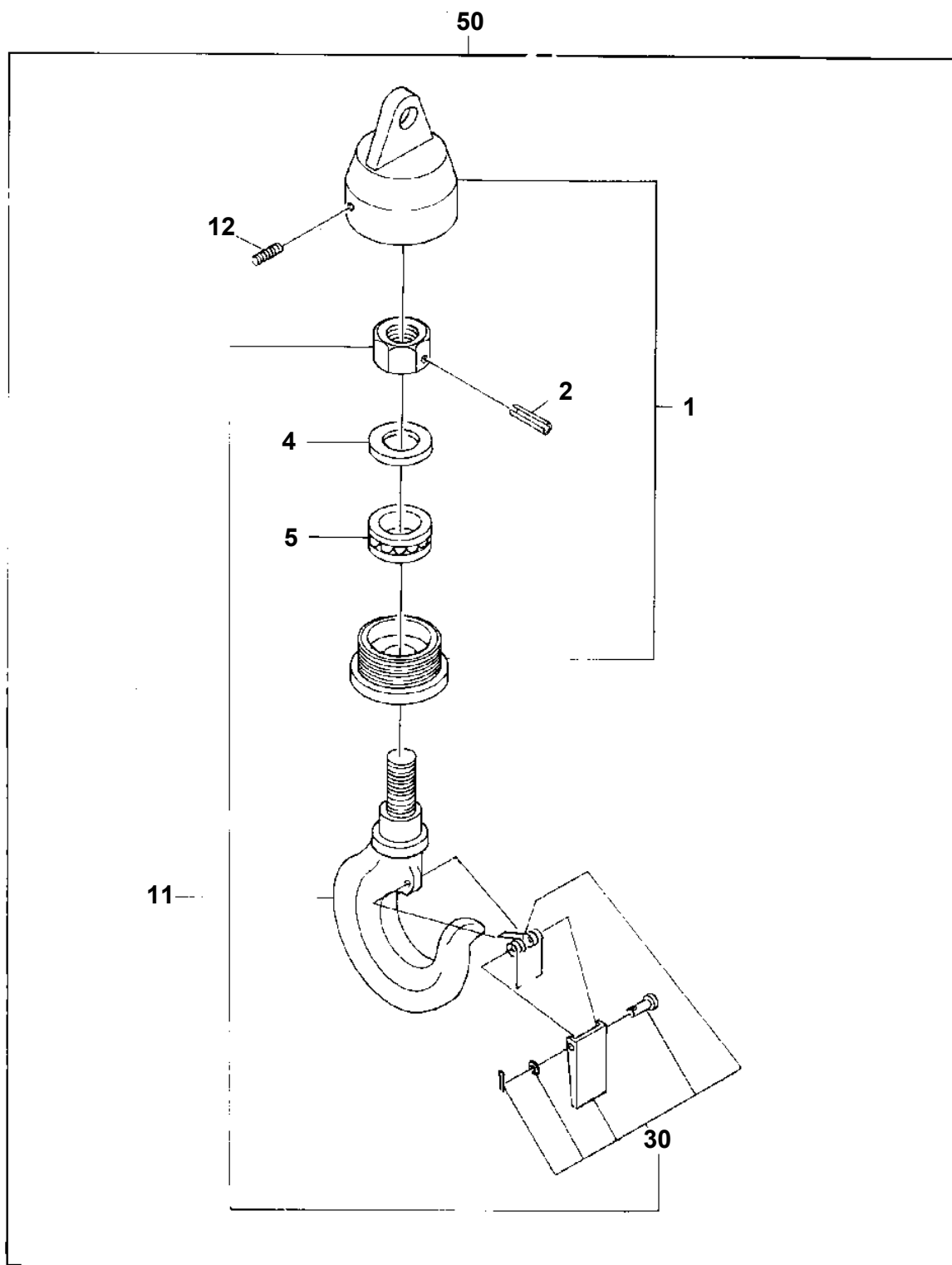
● : FACING KIT KEY NO.102 (ENGLISH)



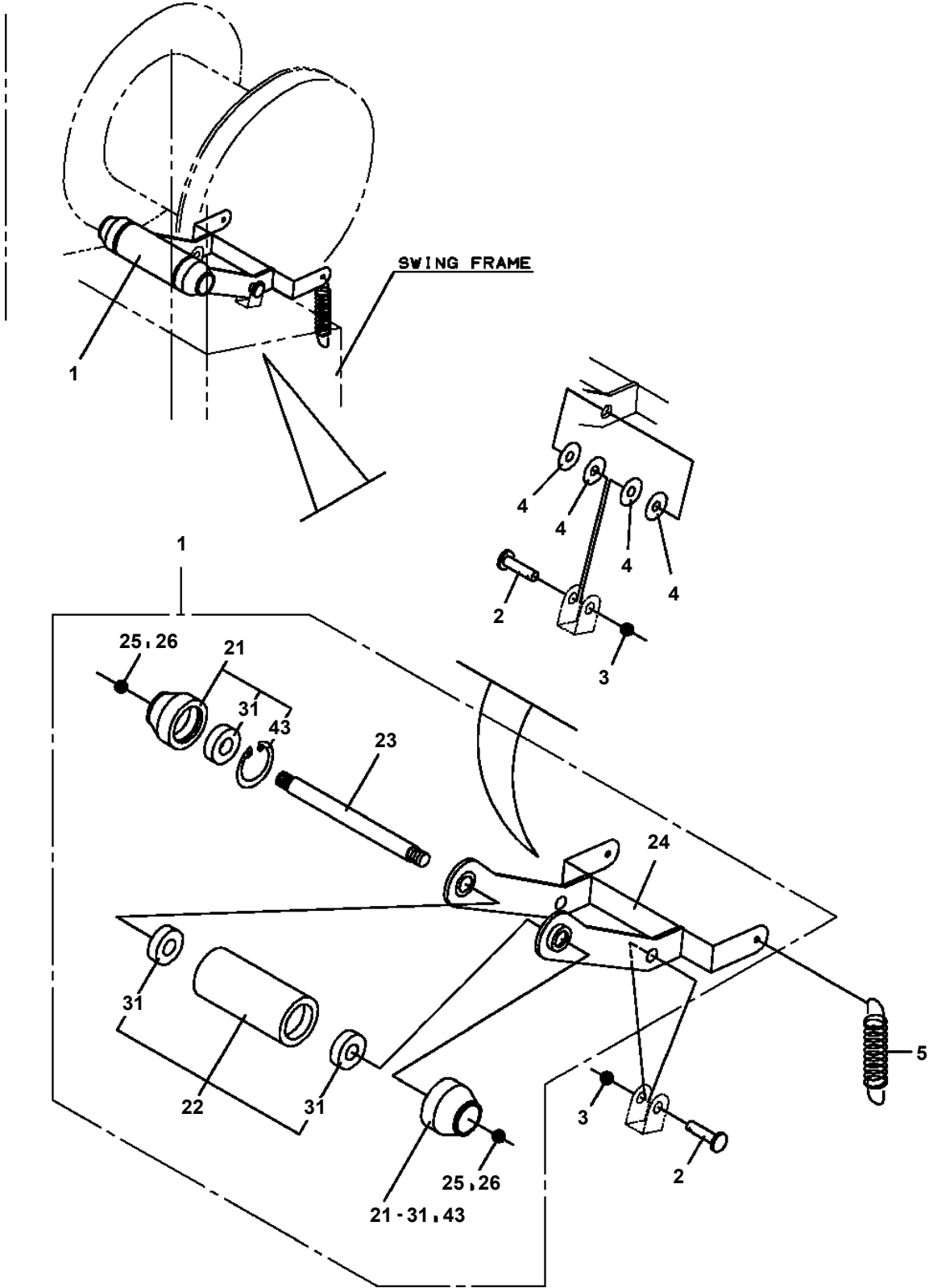
● Protective seal

● Replacement interval name plate

TM-ZR300 31014010860A FRAME/STD,REMOTE-RADIO CONT.,HOOK-IN
PF1050063-01 HOOK (DRUM FREE,OPTION)



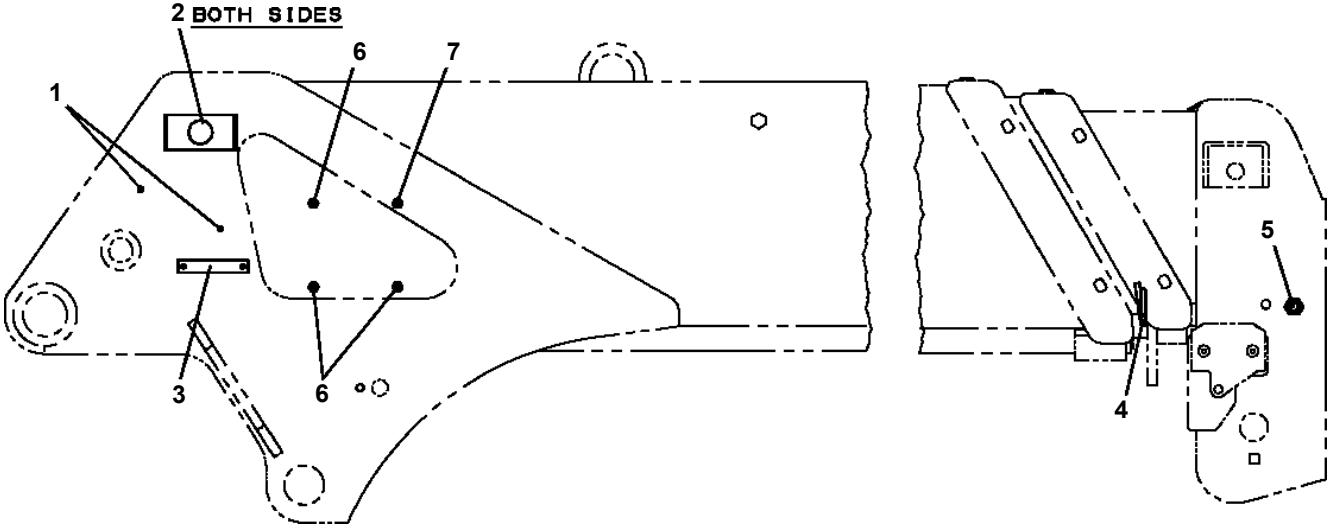
TM-ZR300 31014010860A FRAME/STD,REMOTE-RADIO CONT.,HOOK-IN
PF1180062-01 DETECTOR,DISORDERLY WIND (DRUM FREE)



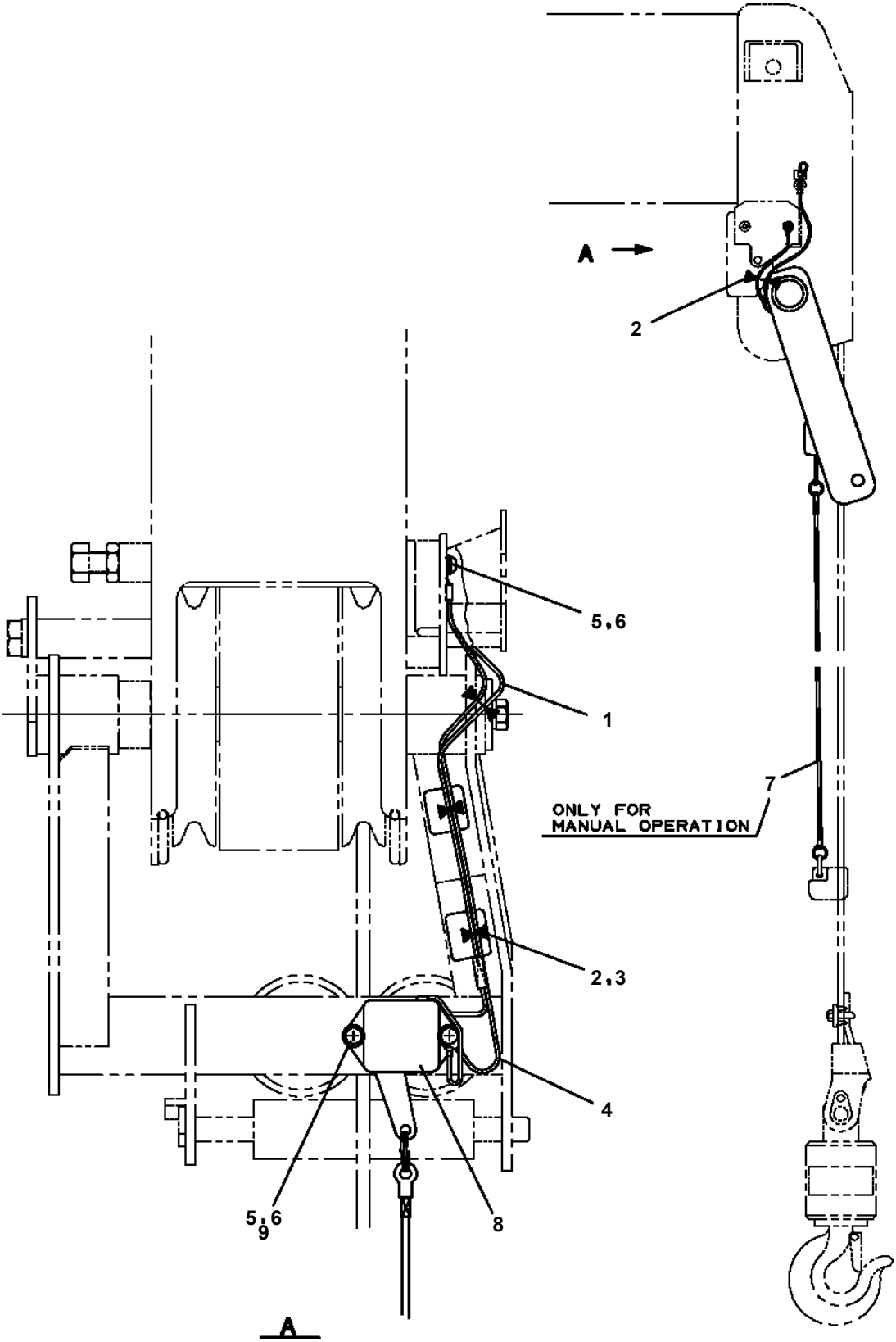
**TM-ZR300 31014010860A FRAME/STD,REMOTE-RADIO CONT.,HOOK-IN
PG1020004-00 GUIDE,ROPE (RETAINING WIRE ROPE)**

1	ガイド , ロープ GUIDE, ROPE
2	フック HOOK
3	ディテクタ , オーバークレント DETECTOR, OVER WIND
4	プレートASSY , ネーム PLATE ASSY, NAME

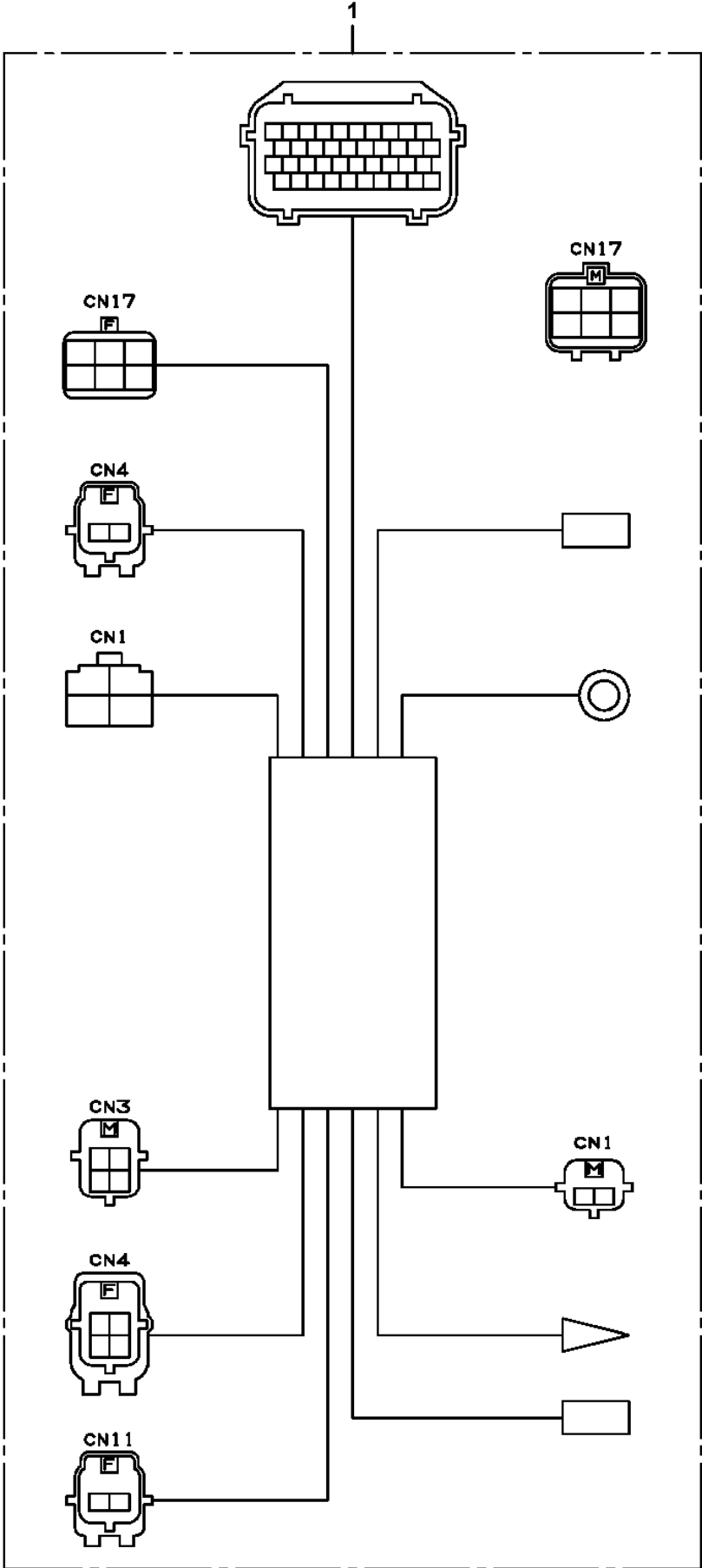
**TM-ZR300 31014010860A FRAME/STD,REMOTE-RADIO CONT.,HOOK-IN
PG1350028-00 WELDED PARTS (SUPPORT FOR BML)**



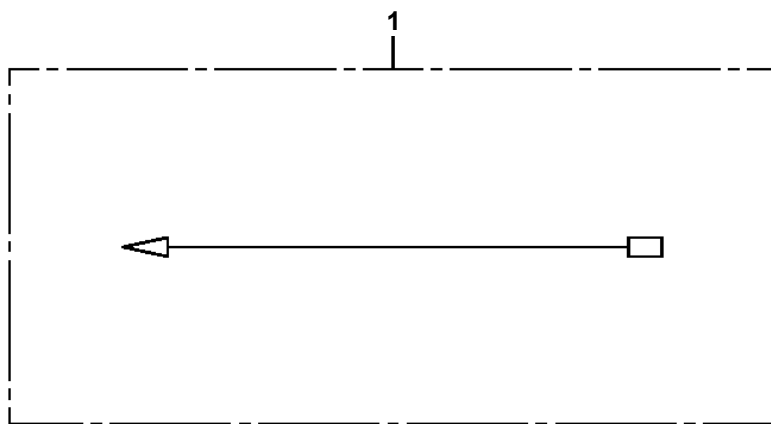
TM-ZR300 31014010860A FRAME/STD,REMOTE-RADIO CONT.,HOOK-IN
PH1060327-00 DETECTOR,OVER WINDING (RETAINING WIRE RO



TM-ZR300 31014010860A FRAME/STD,REMOTE-RADIO CONT.,HOOK-IN
PH5030457-00 HARNESS

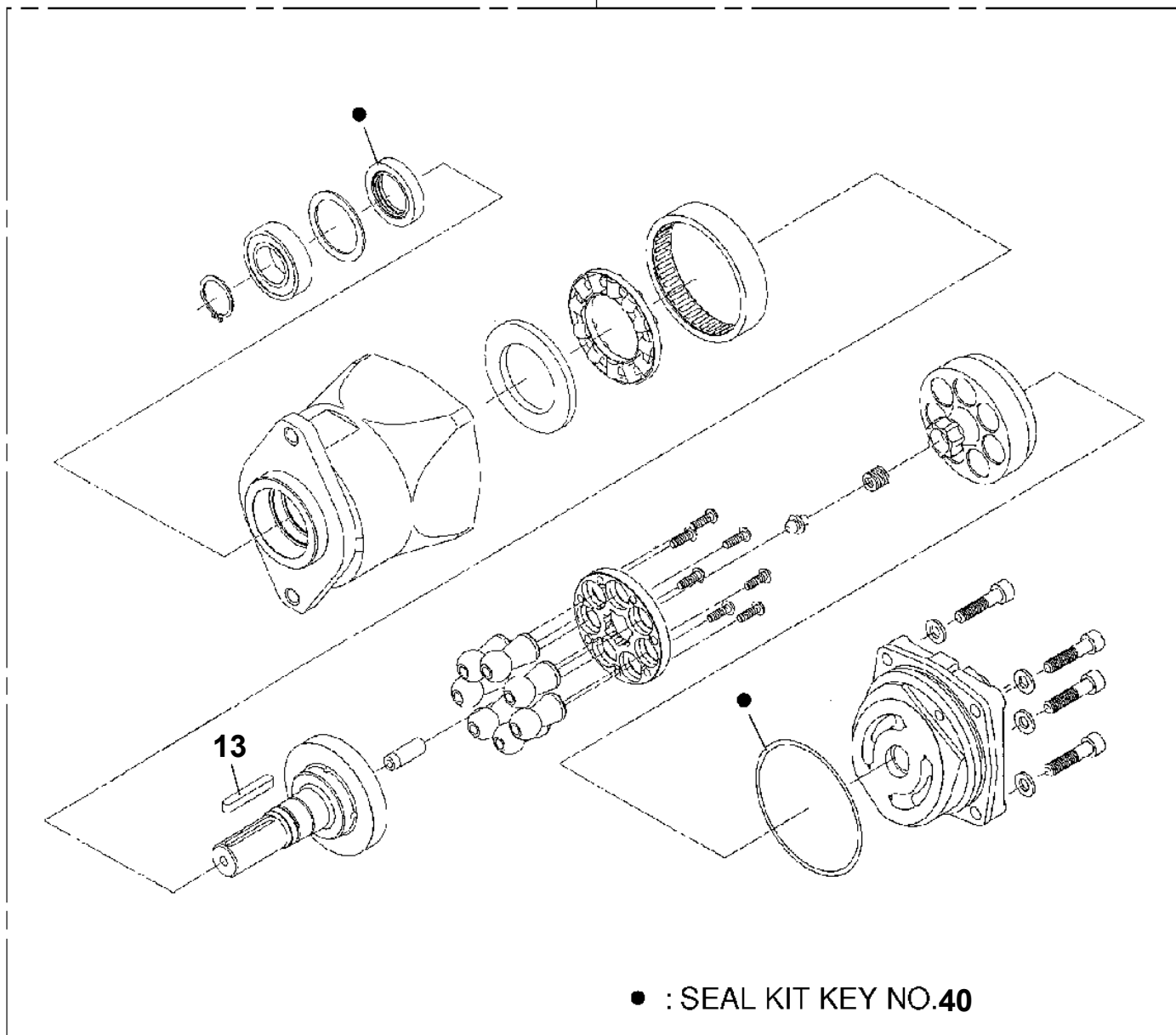


**TM-ZR300 31014010860A FRAME/STD,REMOTE-RADIO CONT.,HOOK-IN
PH5032122-00 HARNESS (L=1000)**

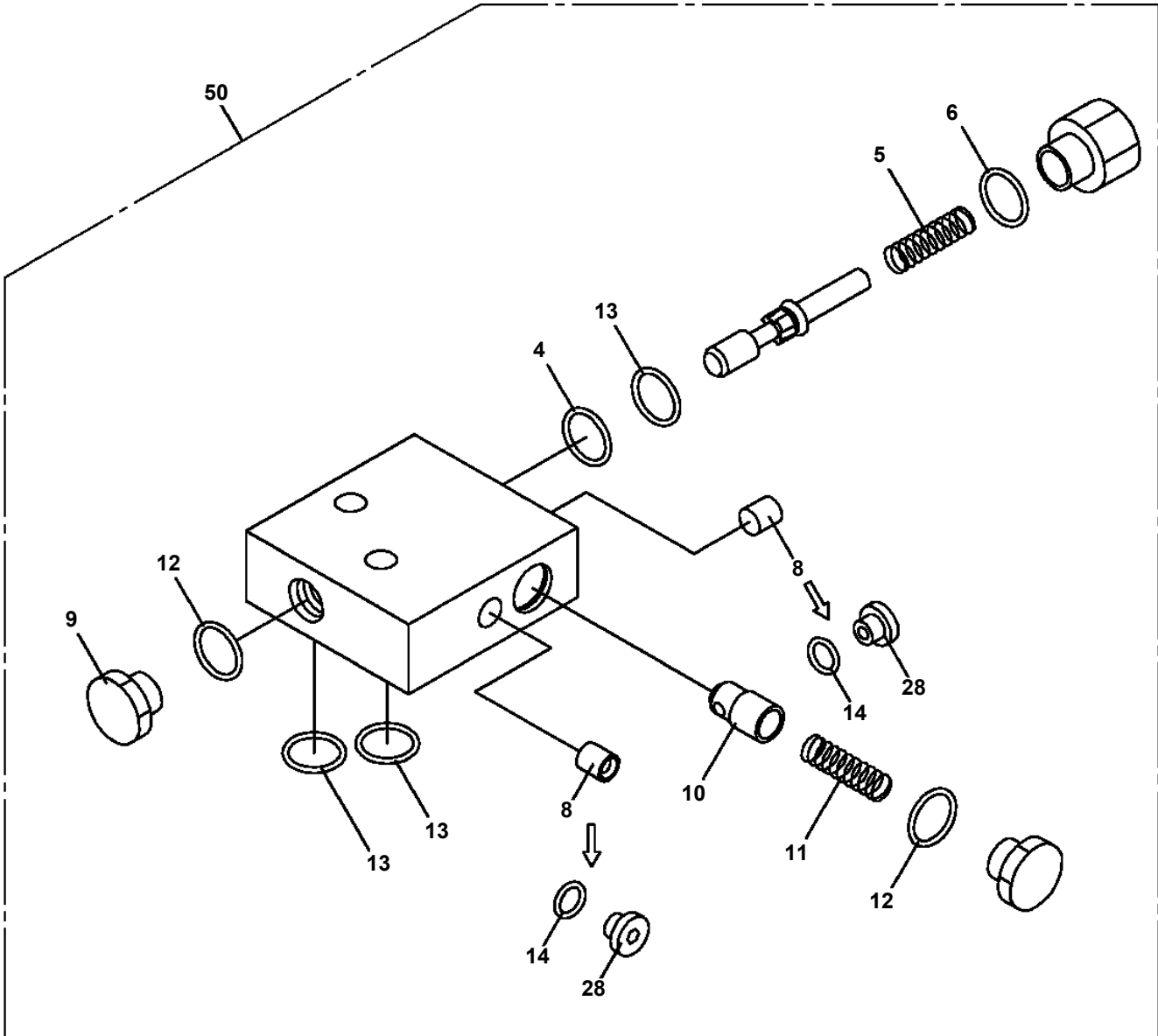


**TM-ZR300 31014010860A FRAME/STD,REMOTE-RADIO CONT.,HOOK-IN
PI1010152-00 MOTOR,HYDRAULIC (WINCH)**

50



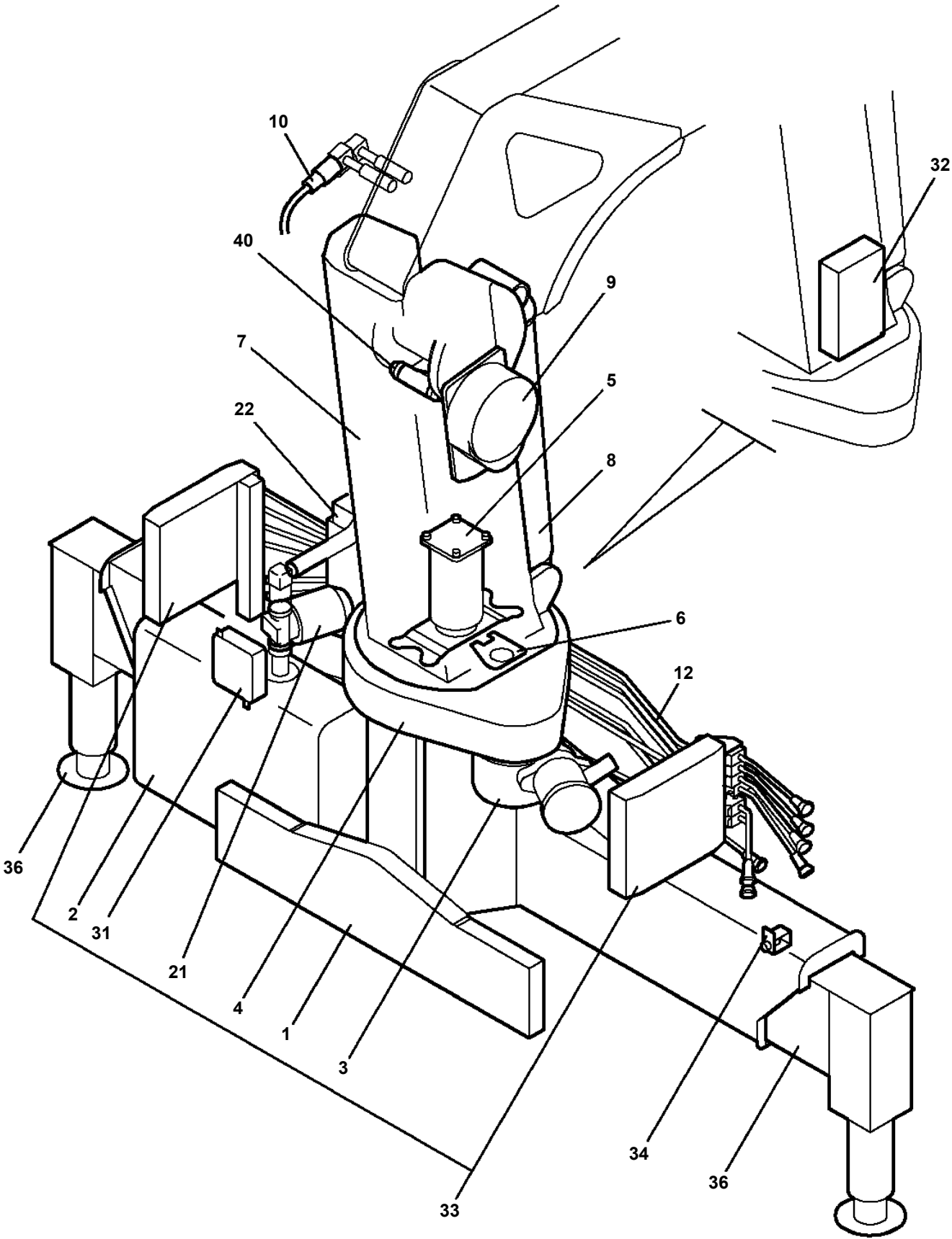
TM-ZR300 31014010860A FRAME/STD,REMOTE-RADIO CONT.,HOOK-IN
PI1250126-04 VALVE,COUNTERBALANCE



TM-ZR300 31014010860A FRAME/STD,REMOTE-RADIO CONT.,HOOK-IN
 PJ3410014-01 LOCK ASSY (BOOM,JACK INTERLOCK)

指示番号 KEY NO.	ロックASSY (ブーム, ジャッキインターロック) LOCK ASSY (BOOM, JACK INTERLOCK)
1	マウント MOUNT
2	パイピング PIPING
3	ハイセンASSY (クレーンフ) ELEC. ASSY (CRANE)
4	ハイセンASSY (シャリヨウフ) ELEC. ASSY (CARRIER)
6	プレートASSY, ネーム PLATE ASSY, NAME

TM-ZR300 31014010860A FRAME/STD,REMOTE-RADIO CONT.,HOOK-IN
PK2000456-00 FRAME UNIT



CLICK HERE TO **DOWNLOAD** THE COMPLETE MANUAL

- Thank you very much for reading the preview of the manual.
- You can download the complete manual from: www.heydownloads.com by clicking the link below



- Please note: If there is no response to CLICKING the link, please download this PDF first and then click on it.

CLICK HERE TO **DOWNLOAD** THE COMPLETE MANUAL

TM-ZR300 31014010860A FRAME/STD,REMOTE-RADIO CONT.,HOOK-IN

Pos No.	Parts No	Parts Name	Qty	Unit	Technical Data	Serial No (Start)	Serial No (End)	Remarks	Pages
1	90171110016	BOLT	4		M10X16				
2	90302041001	WASHER,SPRING	4		10				
4	37000105610	PIN	21		L=18				
5	80620210050	PIN,SNAP	22						
6	31322052600	ROD ASSY	1						
7	37000164930	PIN	1						
8	3132224200	PLATE	7		L=1				
9	80136840020	PIN,SPLIT	2		4X20				
10	31323140450	LEVER	1						
11	31323140350	LEVER	1						
12	31323140250	LEVER	1						
13	31323140150	LEVER	1						
14	31323330100	KNOB (BLACK)	3						
15	31323330200	KNOB (RED)	1						
16	90240201000	NUT,CAP	1		M10				
17	37000147840	PIN	1						
18	31323144000	ROD ASSY	1						
19	31323144200	SUPPORT	1						
20	90101208016	BOLT	1		M8X16				
21	90302040801	WASHER,SPRING	1		8				
22	31323144300	LINK	1						
23	37000311490	SPACER	1		L=20				
25	90303071201	WASHER,PLAIN	1		12				
26	37002220460	PLATE,NAME	1						
27	37002220470	PLATE,NAME	1						
28	37002220480	PLATE,NAME	1						
29	37002220490	PLATE,NAME	2						
30	37002220530	PLATE,NAME	1						
31	37002220540	PLATE,NAME	1						
32	37002220550	PLATE,NAME	1						
33	31270212000	CAP	1						
41	31323141100	SUPPORT	1						
42	31322031150	SUPPORT	1						
43	90186208010	BOLT,FLANGE	2		M8X10				
44	90102208035	BOLT	1		M8X35				
45	31323330200	KNOB (RED)	1						
46	31323330100	KNOB (BLACK)	3						
47	31323141850	LEVER	1						
48	31323140350	LEVER	1						
49	31323140250	LEVER	1						
50	31323140150	LEVER	1						
51	37000175340	PIN	1						
52	80136840020	PIN,SPLIT	3		4X20				
53	3132224200	PLATE	7		L=1				
55	80824001206	BEARING,PLAIN	2						
56	90201200800	NUT	1		M8				
57	37000311190	SPACER	1		L=16				
58	31323141201	LINK	1						
59	90303071201	WASHER,PLAIN	2		12				
71	31322052650	ROD	1						
72	90203200800	NUT	2		M8				
73	31320810210	END	2						
81	31323144100	ROD	1						
103	80620210120	PIN,SNAP	1						
104	31323141350	ROLLER	1						
121	31323141251	LINK	1						
122	31323141301	PIN	1						
125	37000311480	SPACER	1		L=10				

TM-ZR300 31014010860A FRAME/STD,REMOTE-RADIO CONT.,HOOK-IN

Pos No.	Parts No	Parts Name	Qty	Unit	Technical Data	Serial No (Start)	Serial No (End)	Remark
1	82100002673	CONNECTOR (0.5-0.85,RED)	1					
2	31476061100	HARNESS	1					
3	91810130240	FASTENER	10					
4	82401601002	CLAMP	8					
5	31476061200	CONVERTER	1					
6	90101208035	BOLT	4		M8X35			
7	90302040801	WASHER,SPRING	4		8			
8	90303070801	WASHER,PLAIN	4		8			
9	90201200800	NUT	4		M8			
10	90201200600	NUT	2		M6			

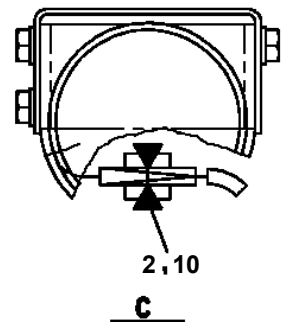
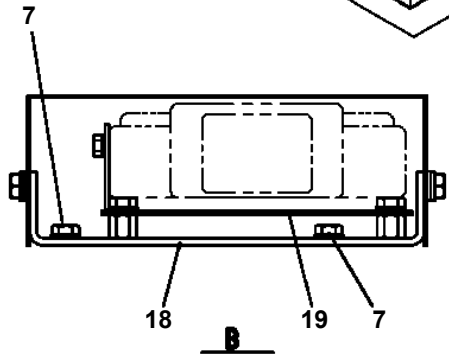
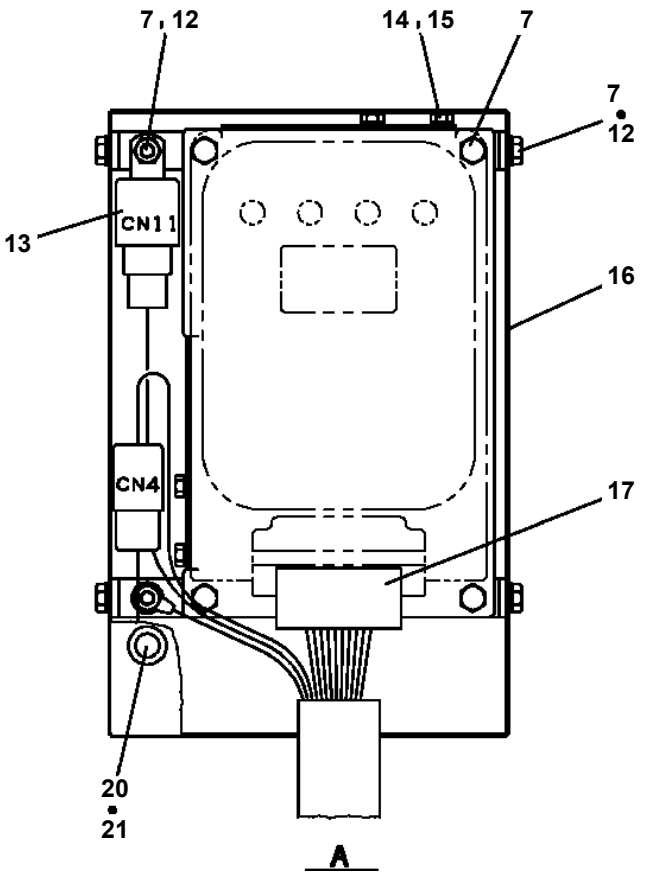
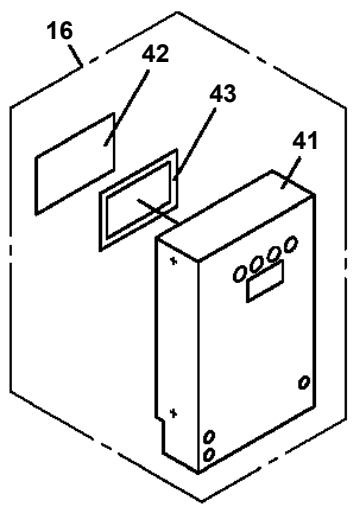
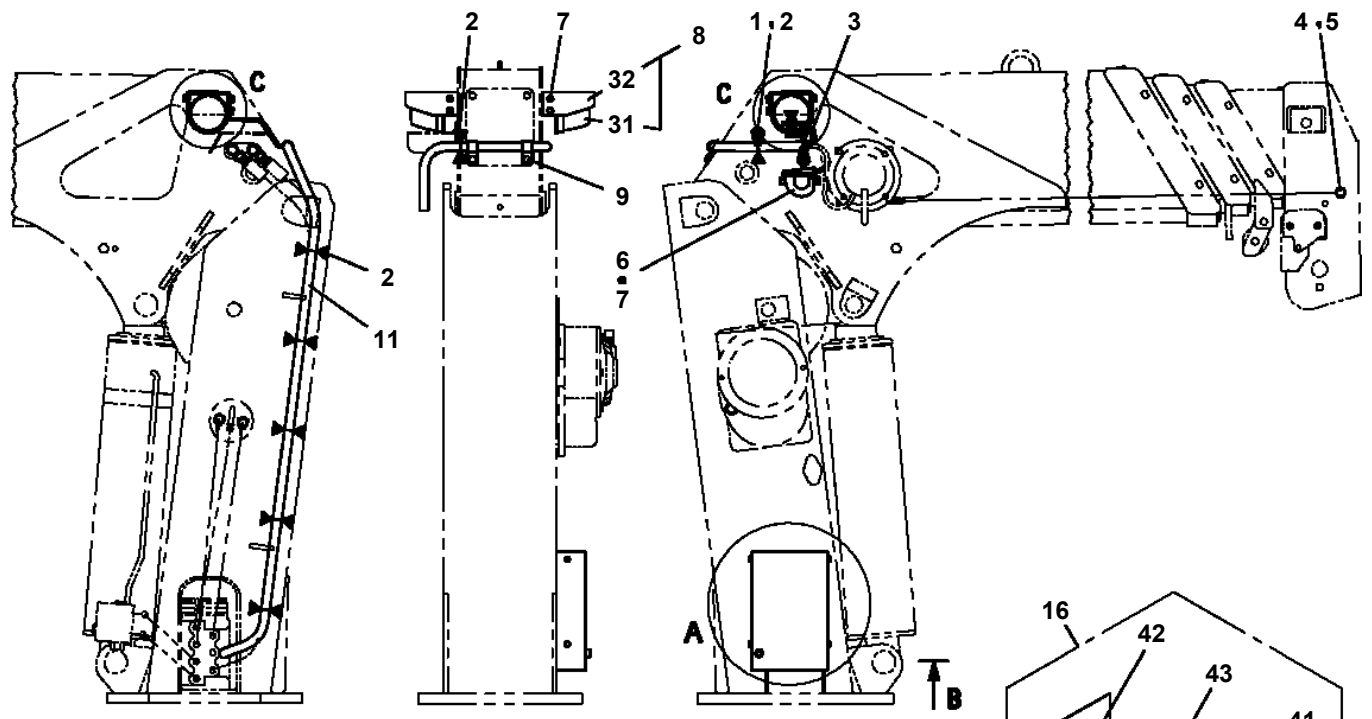
TM-ZR300 31014010860A FRAME/STD,REMOTE-RADIO CONT.,HOOK-IN

Pos No.	Parts No	Parts Name	Qty	Unit	Technical Data	Serial No (Start)	Serial No (End)	Remarks	Pages
2	90186208010	BOLT,FLANGE	2		M8X10				
3	31651762300	HARNESS	1						
4	82401600510	CLAMP	2		10				
5	31653450200	CAP	2						
6	91810130240	FASTENER	6						
7	31653450100	SUPPORT	1						
8	80192483010	SCREW,MACHINE	4		M3X10				
9	31651760800	PLATE,CAUTION	1						
10	82100002490	CAP	1						
21	36800174100	BOX	1						
22	31653312100	SUPPORT	1						
23	31642171600	PLATE,NAME	1						
24	36800174300	PLATE,CAUTION	1						
25	31652170320	PLATE,NAME	1						
26	80182306016	SCREW,MACHINE	3		M6X16				
27	90303100601	WASHER,PLAIN	4		6				
28	90280200600	NUT,FLANGE	4		M6				
29	80182306020	SCREW,MACHINE	1		M6X20				
43	82100002478	CAP	1						
51	36800175090	COVER (UPPER)	1						

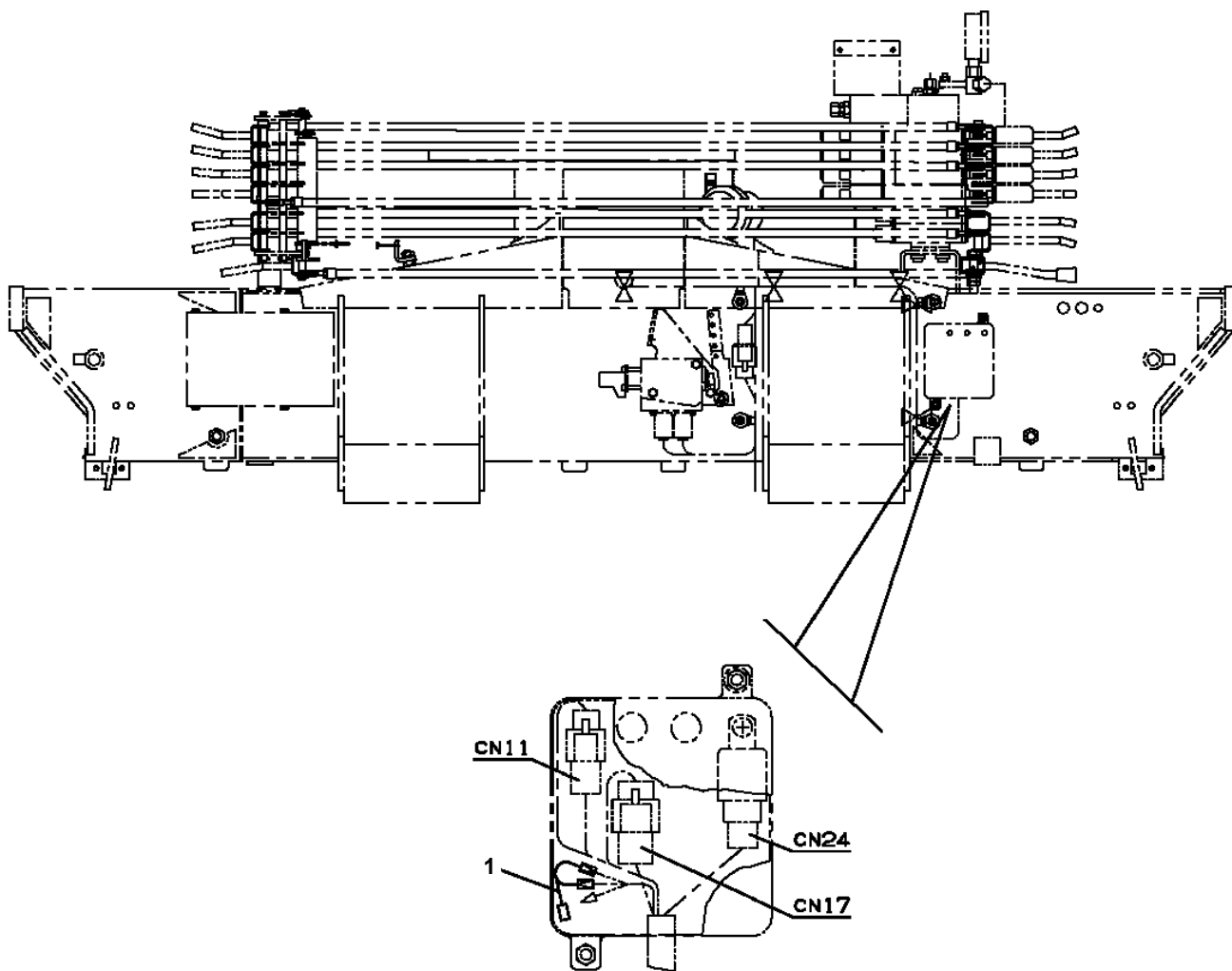
TM-ZR300 31014010860A FRAME/STD,REMOTE-RADIO CONT.,HOOK-IN

Pos No.	Parts No	Parts Name	Qty	Unit	Technical Data	Serial No (Start)	Serial No (End)	Remarks	Pa
1	31477373100	HARNES	1						
2	91810130240	FASTENER	9						
3	91850310405	CLAMP (BLACK)	3						
4	37000510240	PLATE	6						
5	31476063400	SUPPORT	6						
6	90186210014	BOLT,FLANGE	6		M10X14				
7	37000510250	SUPPORT	2						
8	90186206010	BOLT,FLANGE	1		M6X10				
9	82100002004	CLAMP	1		WR8				
10	31476063500	LAMP (AC100V 300W)	1						000

**TM-ZR300 31014010860A FRAME/STD,REMOTE-RADIO CONT.,HOOK-IN
PN1012948-02 ELEC.ASSY (BML)**



**TM-ZR300 31014010860A FRAME/STD,REMOTE-RADIO CONT.,HOOK-IN
PN1013757-01 ELEC.ASSY (HARNESS FOR STANDBY POWER)**



TM-ZR300 31014010860A FRAME/STD,REMOTE-RADIO CONT.,HOOK-IN

Pos No.	Parts No	Parts Name	Qty	Unit	Technical Data	Serial No (Start)	Serial No (End)	Remark
1	31500511100	HARNESS	1					
2	34354781720	RELAY (WITH HARNESS)	1					
3	91810130240	FASTENER	6					
4	31360741200	HARNESS	1					
5	91850310305	CLAMP	2					
6	31360741300	LAMP ASSY	2					
7	90186206010	BOLT,FLANGE	8		M6X10			
21	82199444326	LAMP (YELLOW) <24V 12W)	2					
22	31360741310	SUPPORT	2					
36	82166136411	BULB,LAMP	2		24V/12W			

TM-ZR300 31014010860A FRAME/STD,REMOTE-RADIO CONT.,HOOK-IN

Pos No.	Parts No	Parts Name	Qty	Unit	Technical Data	Serial No (Start)	Serial No (End)	Remarks	Pages
1	82100000191	TERMINAL	2						
2	82100000183	INSULATOR	2						
3	91810130240	FASTENER	6						
4	82115001002	CONNECTOR	2						
5	82100001400	TERMINAL	2						
6	31476362600	RELAY ASSY	2						
7	82100001220	INSULATOR	2						
8	82115001005	CONNECTOR	2						

TM-ZR300 31014010860A FRAME/STD,REMOTE-RADIO CONT.,HOOK-IN

Pos No.	Parts No	Parts Name	Qty	Unit	Technical Data	Serial No (Start)	Serial No (End)	Remark
1	31476362104	ALARM ASSY (ASSY ONLY)	1					
2	31475352100	PLATE,NAME	1					
3	31477472200	RELAY ASSY	1					
4	31380174000	LAMP ASSY (ASSY ONLY)	1					
5	82100000191	TERMINAL	1					
6	82100000183	INSULATOR	1					
7	91810130240	FASTENER	10					
8	82115001002	CONNECTOR	7					
9	82100001400	TERMINAL	6					
10	31476362700	PLATE,CAUTION	1					
11	31380292600	SUPPORT	1					
12	80172305020	SCREW,MACHINE	2		M5X20			
13	90302040501	WASHER,SPRING	2		5			
14	90303070501	WASHER,PLAIN	2		5			
15	31477472300	HARNESS	2		L=1000			
16	82100001220	INSULATOR	6					
17	31504322200	RELAY ASSY	1					
18	31475982400	DIODE ASSY	1					
21	90928040101	SCREW,TAPPING	3		M4X10			
23	82115001005	CONNECTOR	7					

TM-ZR300 31014010860A FRAME/STD,REMOTE-RADIO CONT.,HOOK-IN

Pos No.	Parts No	Parts Name	Qty	Unit	Technical Data	Serial No (Start)	Serial No (End)	P
1	82101940130	SWITCH,PUSH (3PJW106F-021-CC)	2					
10	31653243300	SWITCH ASSY (PLATING:NACC)	1					

TM-ZR300 31014010860A FRAME/STD,REMOTE-RADIO CONT.,HOOK-IN

Pos No.	Parts No	Parts Name	Qty	Unit	Technical Data	Serial No (Start)	Serial No (End)	Remarks	Page
1	31476067510	COVER	1						
2	31476067520	PLATE	1						
3	31476067530	COVER (TERMINAL)	1						
4	31476067540	SPRING (LEAF)	1						
5	31476067550	BAR	1						
6	80175804008	SCREW,MACHINE	4		M4X8				
7	31476067560	CABLE ASSY	1						
8	31476067570	BRACKET ASSY	1						
9	80174803006	SCREW,MACHINE	2		M3X6				
50	31476061200	CONVERTER	1						

TM-ZR300 31014010860A FRAME/STD,REMOTE-RADIO CONT.,HOOK-IN

Pos No.	Parts No	Parts Name	Qty	Unit	Technical Data	Serial No (Start)	Serial No (End)	Remarks	Pages
1	37002246230	PLATE,NAME	2						

TM-ZR300 31014010860A FRAME/STD,REMOTE-RADIO CONT.,HOOK-IN

Pos No.	Parts No	Parts Name	Qty	Unit	Technical Data	Serial No (Start)	Serial No (End)	Remarks	Pa
1	37002220770	PLATE,NAME	1						
2	37002220780	PLATE,NAME	1						
3	37002220790	PLATE,NAME	1						
4	37002220800	PLATE,NAME	1						
5	31394490500	PLATE,CAUTION	4						
6	31393180100	REFLECTOR (RED)	2						
7	31611300500	PLATE,NAME (WHITE)	4						
8	31395220250	PLATE,CAUTION	2						
9	37002220430	PLATE,CAUTION	2						
10	37002226500	PLATE,CAUTION	2						

TM-ZR300 31014010860A FRAME/STD,REMOTE-RADIO CONT.,HOOK-IN

Pos No.	Parts No	Parts Name	Qty	Unit	Technical Data	Serial No (Start)	Serial No (End)	Remarks	Pages
1	31477165100	PLATE,CAUTION	1						

TM-ZR300 31014010860A FRAME/STD,REMOTE-RADIO CONT.,HOOK-IN

Pos No.	Parts No	Parts Name	Qty	Unit	Technical Data	Serial No (Start)	Serial No (End)	Remarks	Pages
1	31394270230	PLATE,CAUTION	2						
2	31393180100	REFLECTOR (RED)	2						
3	31395220250	PLATE,CAUTION	2						
4	37002220430	PLATE,CAUTION	2						

TM-ZR300 31014010860A FRAME/STD,REMOTE-RADIO CONT.,HOOK-IN

Pos No.	Parts No	Parts Name	Qty	Unit	Technical Data	Serial No (Start)	Serial No (End)
1	31361256100	PLATE,CAUTION	1				
2	31360746300	PLATE,NAME (FRAME SERIAL NO.)	1				

TM-ZR300 31014010860A FRAME/STD,REMOTE-RADIO CONT.,HOOK-IN

Pos No.	Parts No	Parts Name	Qty	Unit	Technical Data	Serial No (Start)	Serial No (End)	Remarks	Pages
1	31477333100	PLATE,NAME	2						

TM-ZR300 31014010860A FRAME/STD,REMOTE-RADIO CONT.,HOOK-IN

Pos No.	Parts No	Parts Name	Qty	Unit	Technical Data	Serial No (Start)	Serial No (End)	Remarks	Pa
1	31490292100	PLATE,NAME	1						
2	31490292200	PLATE,NAME	1						
3	31490292300	PLATE,NAME	2						
4	31490292400	PLATE,NAME	1						
5	37002221190	PLATE,NAME (ZR305)	2						
6	31392140130	INDICATOR	2						
7	90190000060	BOLT	2		M10X16				

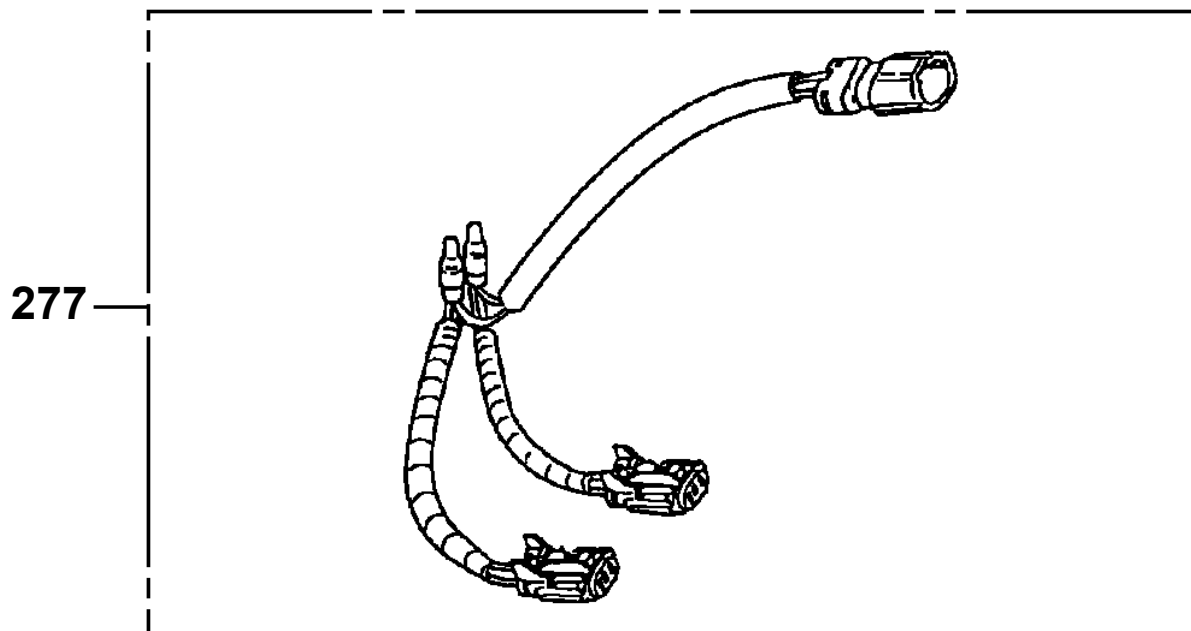
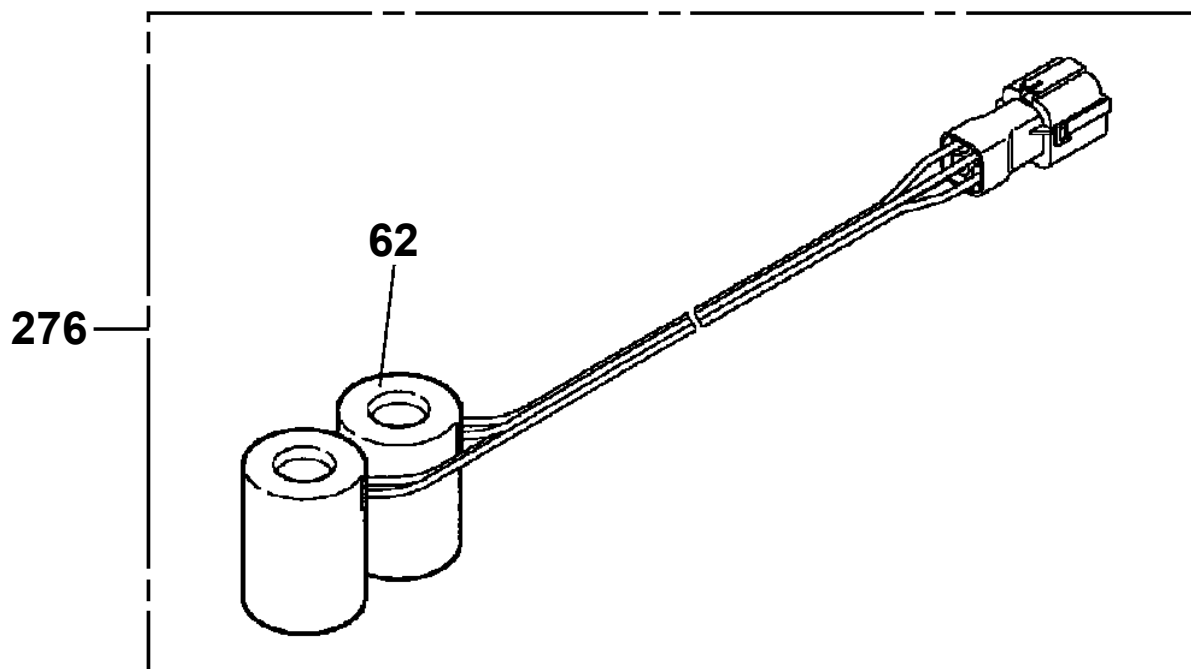
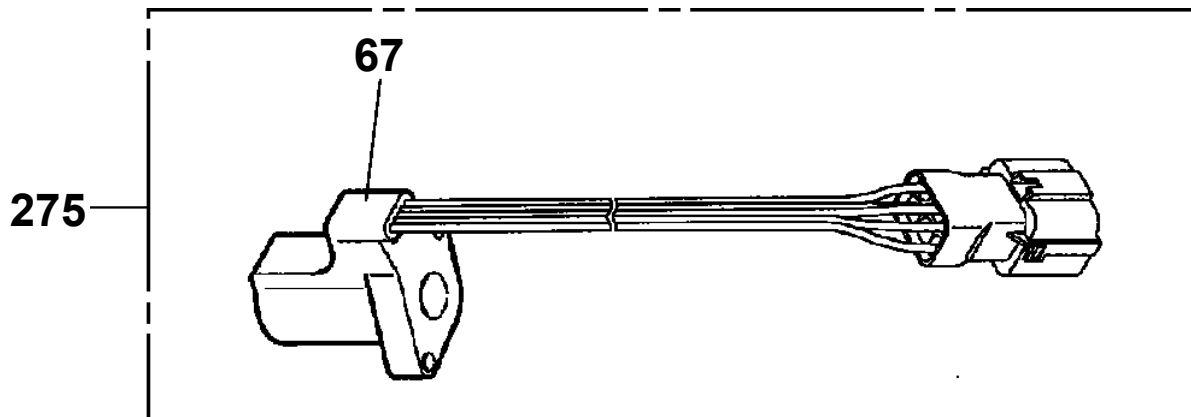
TM-ZR300 31014010860A FRAME/STD,REMOTE-RADIO CONT.,HOOK-IN

Pos No.	Parts No	Parts Name	Qty	Unit	Technical Data	Serial No (Start)	Serial No (End)	Remarks
1	81408000100	PIPE,STEEL	1	M	10X1.2T			
2	31644592100	JOINT,ROTARY	1					
3	80400160205	JOINT (WITH O-RING)	1					
4	36740460001	VALVE,REMOTE CONTROL	1					
5	81408000100	PIPE,STEEL	2	M	10X1.2T			
6	80302090101	FITTING	3		KCO10-020N			
7	91002801100	O-RING	4		1B P11			
8	37002510990	HOSE	1		L=310			
9	90201780800	NUT	4		M8			
10	90302040801	WASHER,SPRING	6		8			
11	90280200800	NUT,FLANGE	3		M8			
12	80303130081	FITTING,ELBOW	3		KLO08-020E			
13	81408000081	PIPE,STEEL	1	M	8X1.2T			
14	81408000081	PIPE,STEEL	1	M	8X1.2T			
15	36062820000	CYLINDER,ACCELERATOR	1					
16	90101208070	BOLT	2		M8X70			
17	37000312580	SLEEVE	2					
18	90101208035	BOLT	2		M8X35			
19	37005700130	CLAMP	2		10X2			
20	31490000210	PLATE,CAUTION	1					
21	80481004042	JOINT	1					
22	91002801800	O-RING	1		1B P18			
23	80302090081	FITTING	1		KCO80-020N			
24	90303070801	WASHER,PLAIN	1		8			
25	37000908720	JOINT (WITH O-RING)	1		PF1/2-PF3/8			
26	37002422280	HOSE	1		L=1300			
27	80305010080	FITTING,TEE	1		KTA10-000N			
28	81408000100	PIPE,STEEL	1	M	10X1.2T			
29	81408000100	PIPE,STEEL	1	M	10X1.2T			
30	37000928660	FITTING	1					
61	91002801800	O-RING	2		1B P18			
71	91002801100	O-RING	3		1B P11			

TM-ZR300 31014010860A FRAME/STD,REMOTE-RADIO CONT.,HOOK-IN

Pos No.	Parts No	Parts Name	Qty	Unit	Technical Data	Serial No (Start)	Serial No (End)	Remarks	Pages
1	(***** *****)	RADIO CONTROL	1						000292
	(***** *****)	RADIO CONTROL	1						000293

TM-ZR300 31014010860A FRAME/STD,REMOTE-RADIO CONT.,HOOK-IN
PV1020230-03 VALVE,REMOTE CONTROL (NACHI)



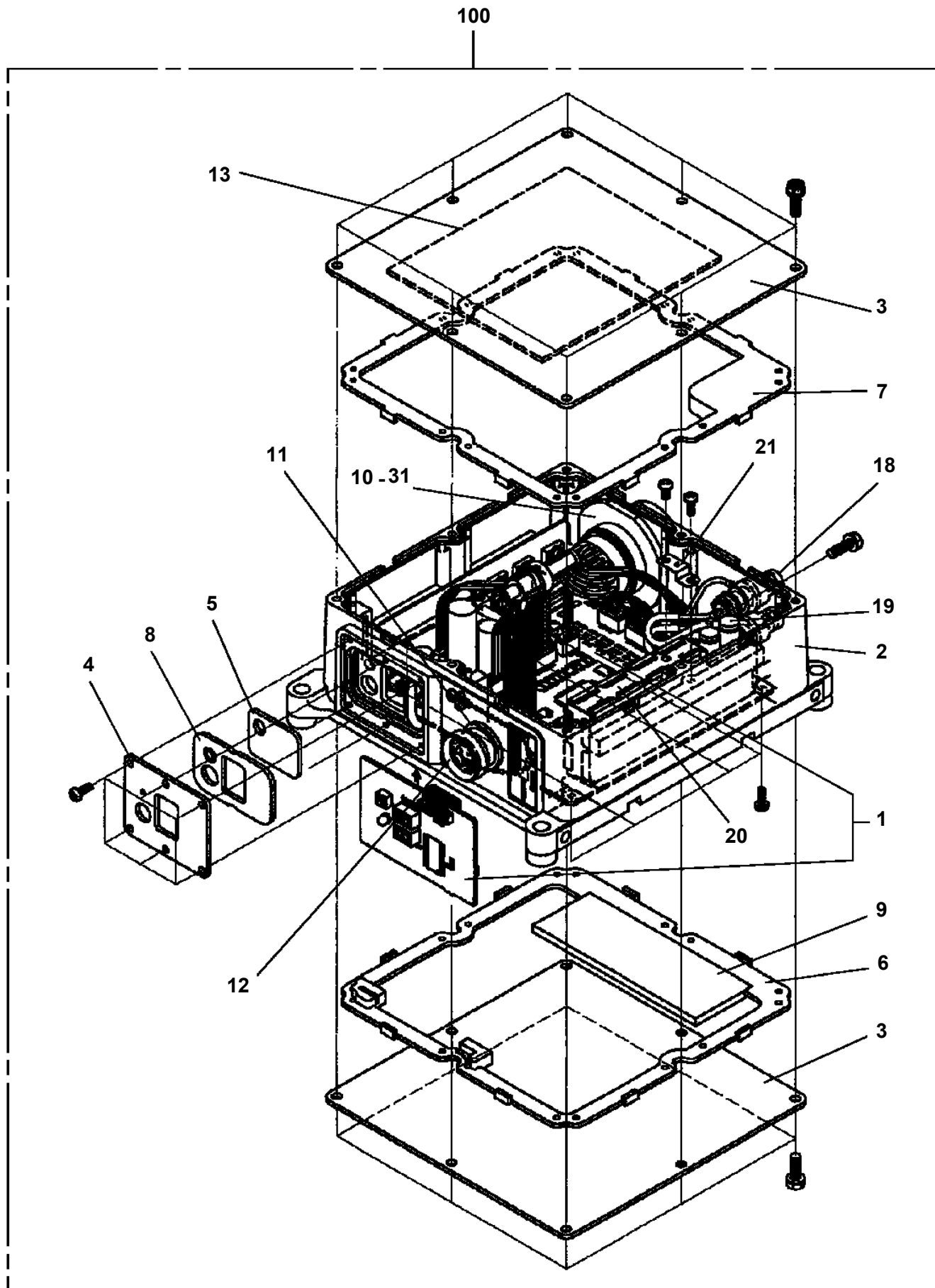
TM-ZR300 31014010860A FRAME/STD,REMOTE-RADIO CONT.,HOOK-IN

Pos No.	Parts No	Parts Name	Qty	Unit	Technical Data	Serial No (Start)	Serial No (End)	F
234	36645495260	RING,BACKUP	1					
243	36603185150	TUBE	1					
246	91002800400	O-RING	1		1B P4			
251	36645405180	SEAT,VALVE (WITH STEEL BALL)	1					
300	36740460001	VALVE,REMOTE CONTROL	1					

TM-ZR300 31014010860A FRAME/STD,REMOTE-RADIO CONT.,HOOK-IN

Pos No.	Parts No	Parts Name	Qty	Unit	Technical Data	Serial No (Start)	Serial No (End)	Re
1	36800585011	CASE KIT (UPPER)	1					
2	36800585021	CASE KIT (LOWER)	1					
4	36800585031	PACKING	1					
5	36800585041	CABLE ASSY	1		10M			
21	36800095061	RING (CASE)	1					
32	36800565081	CASE ASSY (LEVER)	1					
42	36800295111	GUARD (HAND)	1					
46	36800585071	CAP (CONNECTOR,WITH CHAIN)	1					
100	36800582001	SWITCH BOX	1					

TM-ZR300 31014010860A FRAME/STD,REMOTE-RADIO CONT.,HOOK-IN
PV1040098-00 CONTROL UNIT



TM-ZR300 31014010860A FRAME/STD,REMOTE-RADIO CONT.,HOOK-IN

Pos No.	Parts No	Parts Name	Qty	Unit	Technical Data	Serial No (Start)	Serial No
3	36802950100	PLATE ASSY.NAME (FOR RADIO CONTROL)	1				
5	(*****)	ELEC.ASSY (BML)	1				
11	36803572001	CONTROL UNIT	1				
	36803572000	CONTROL BOX (RADIO CONTROL D-TYPE)	1				
12	36801992000	SWITCH BOX (RADIO CONTROL,TYPE-D)	1				
	36801992001	SWITCH BOX (FUTABA)	1				

TM-ZR300 31014010860A FRAME/STD,REMOTE-RADIO CONT.,HOOK-IN

Pos No.	Parts No	Parts Name	Qty	Unit	Technical Data	Serial No (Start)	Serial No (End)
2	(*****)	MOUNT,ANTENNA	1				
3	36802850100	PLATE ASSY,NAME (RADIO CONTROL)	1				
5	(*****)	DETECTOR,AREA (BML)	1				
6	36119340000	MOMENT LIMITER (BML)	1				
21	36803562000	CONTROL BOX	1				
	36803562001	CONTROL UNIT	1				
22	36802862000	ANTENNA (FOR RADIO CONTROL)	1				
23	36802863000	SWITCH BOX(RADIO CONTROL)	1				

TM-ZR300 31014010860A FRAME/STD,REMOTE-RADIO CONT.,HOOK-IN

Pos No.	Parts No	Parts Name	Qty	Unit	Technical Data	Serial No (Start)	Serial No
1	(*****)	ELEC.ASSY	1				
3	(*****)	DETECTOR,AREA (BML)	1				
4	(*****)	INDICATOR,OUTRIGGER	1				
5	(*****)	DETECTOR,LOAD (BML,ELEVATING CYL.)	1				
6	(*****)	PLATE ASSY,NAME (BML)	1				
7	(*****)	DETECTOR,BOOM LENGTH (BML,2-4SECT.)	1				
9	36119340000	MOMENT LIMITER (BML)	1				
22	(*****)	MOUNT,SUPPORT (POST)	1				
23	(*****)	WELDED PARTS (SUPPORT FOR BML)	1				

TM-ZR300 31014010860A FRAME/STD,REMOTE-RADIO CONT.,HOOK-IN

Pos No.	Parts No	Parts Name	Qty	Unit	Technical Data	Serial No (Start)	Serial No (End)
1	36800541000	STOWING BOX (BAG,RADIO CONTROL)	1				

TM-ZR300 31014010860A FRAME/STD,REMOTE-RADIO CONT.,HOOK-IN

Pos No.	Parts No	Parts Name	Qty	Unit	Technical Data	Serial No (Start)	Serial No
1	36800335010	ELEMENT,ANTENNA (FLEXIBLE,TYPE A,B)	2				
3	36800615010	ARM (28X300)	1				
4	36800625011	CABLE	1		8M		
7	36800145020	WASHER	1				
8	36800145030	NUT	1				
10	36800620000	ANTENNA (FOR RADIO CONTROL)	1				

TM-ZR300 31014010860A FRAME/STD,REMOTE-RADIO CONT.,HOOK-IN

Pos No.	Parts No	Parts Name	Qty	Unit	Technical Data	Serial No (Start)	Serial No (End)	F
1	36802862000	ANTENNA (FOR RADIO CONTROL)	1					

TM-ZR300 31014010860A FRAME/STD,REMOTE-RADIO CONT.,HOOK-IN

Pos No.	Parts No	Parts Name	Qty	Unit	Technical Data	Serial No (Start)	Serial No (End)	F
1	31651781000	SUPPORT	2					
2	31652452000	ANTENNA (SET)	1					
3	91810130240	FASTENER	10					
4	82100002034	CLAMP	10		WEC6			
5	90191208020	BOLT	5		M8X20			
6	90264200800	NUT	5		M8			
7	90302040801	WASHER,SPRING	5		8			
8	82401600506	CLAMP	10		D6.5			
9	82401600510	CLAMP	10		10			
10	31652960100	SPACER	4					
21	36801460000	ANTENNA (FOR RADIO CONTROL)	2					

TM-ZR300 31014010860A FRAME/STD,REMOTE-RADIO CONT.,HOOK-IN

Pos No.	Parts No	Parts Name	Qty	Unit	Technical Data	Serial No (Start)	Serial No (End)	F
1	31930530101	SUPPORT	1					
2	31930530201	SUPPORT	1					
3	31652962000	ANTENNA (SET)	1					
4	91810130240	FASTENER	10					
5	82100002034	CLAMP	10		WEC6			
6	90191208020	BOLT	7		M8X20			
7	90264200800	NUT	7		M8			
8	90302040801	WASHER,SPRING	11		8			
9	82401600506	CLAMP	8		D6.5			
10	82401600510	CLAMP	7		10			
11	90303070801	WASHER,PLAIN	4		8			
12	31930530300	PACKING	4					
21	36801460000	ANTENNA (FOR RADIO CONTROL)	1					
22	36802100000	ANTENNA	1					

TM-ZR300 31014010860A FRAME/STD,REMOTE-RADIO CONT.,HOOK-IN

Pos No.	Parts No	Parts Name	Qty	Unit	Technical Data	Serial No (Start)	Serial No (End)	Remarks	Pages
1	90186208016	BOLT,FLANGE	4		M8X16				
2	31653230100	SUPPORT	1						
3	90280200600	NUT,FLANGE	4		M6				
4	90101206060	BOLT	4		M6X60				
5	90303070601	WASHER,PLAIN	4		6				
6	31653230200	CABLE ASSY	1		L=800				
7	91850310405	CLAMP (BLACK)	1						
8	91810130240	FASTENER	3						
9	31655350900	SUPPORT	1						
10	90201200800	NUT	2		M8				
11	90302040801	WASHER,SPRING	2		8				
31	82100002385	CONNECTOR	2						

TM-ZR300 31014010860A FRAME/STD,REMOTE-RADIO CONT.,HOOK-IN

Pos No.	Parts No	Parts Name	Qty	Unit	Technical Data	Serial No (Start)	Serial No (End)	F
1	31930530101	SUPPORT	1					
2	31930530201	SUPPORT	1					
3	31651782000	ANTENNA (SET)	1					
4	91810130240	FASTENER	10					
5	82100002034	CLAMP	10		WEC6			
6	90191208020	BOLT	5		M8X20			
7	90264200800	NUT	5		M8			
8	90302040801	WASHER,SPRING	5		8			
9	82401600506	CLAMP	5		D6.5			
10	82401600510	CLAMP	5		10			
12	90302511001	WASHER,SPRING	4		10			
13	31930740300	PACKING	4					
14	31930530300	PACKING	4					
21	36800610000	ANTENNA (FOR RADIO CONTROL)	1					
22	36800620000	ANTENNA (FOR RADIO CONTROL)	1					

TM-ZR300 31014010860A FRAME/STD,REMOTE-RADIO CONT.,HOOK-IN

Pos No.	Parts No	Parts Name	Qty	Unit	Technical Data	Serial No (Start)	Serial No (End)	F
1	31652962000	ANTENNA (SET)	1					
2	31930460100	SUPPORT	2					
3	90101208020	BOLT	4		M8X20			
4	90201200800	NUT	4		M8			
5	90302040801	WASHER,SPRING	4		8			
6	82401600506	CLAMP	10		D6.5			
7	82401600510	CLAMP	8		10			
8	31930180100	SUPPORT	1					
9	80142838032	SCREW,WOOD	2					
10	91810130240	FASTENER	4					
11	82100002006	CLAMP	1		WR10			
12	90918160160	SCREW,TAPPING	1					
13	90918135160	SCREW,TAPPING	8					
21	36801460000	ANTENNA (FOR RADIO CONTROL)	1					
22	36802100000	ANTENNA	1					

TM-ZR300 31014010860A FRAME/STD,REMOTE-RADIO CONT.,HOOK-IN

Pos No.	Parts No	Parts Name	Qty	Unit	Technical Data	Serial No (Start)	Serial No (End)	F
1	31930180100	SUPPORT	1					
2	80142838032	SCREW,WOOD	2					
3	91810130240	FASTENER	4					
4	82401600510	CLAMP	1		10			
5	31651792000	ANTENNA (SET)	1					
6	90101208020	BOLT	4		M8X20			
7	90201200800	NUT	4		M8			
8	90302040801	WASHER,SPRING	4		8			
9	31930460100	SUPPORT	2					
10	82401600506	CLAMP	13		D6.5			
21	36800620000	ANTENNA (FOR RADIO CONTROL)	2					

TM-ZR300 31014010860A FRAME/STD,REMOTE-RADIO CONT.,HOOK-IN

Pos No.	Parts No	Parts Name	Qty	Unit	Technical Data	Serial No (Start)	Serial No (End)	Remarks	Pages
1	90190000008	BOLT,STUD	2		M6X20				
2	31360202500	SUPPORT	2						
3	31360742500	SUPPORT	1						
4	31360192900	SUPPORT	1		L=55				
5	37001601290	NUT	1		M12				
6	31360742700	NUT	1		M12				
7	31360003020	SUPPORT	1		L=63				
8	37001601010	NUT	3						
9	90288106030	NUT	3		M6X30				

TM-ZR300 31014010860A FRAME/STD,REMOTE-RADIO CONT.,HOOK-IN

Pos No.	Parts No	Parts Name	Qty	Unit	Technical Data	Serial No (Start)	Serial No (End)	Remarks	Pages
1	91850310305	CLAMP	8						
2	91810130240	FASTENER	14						
3	31476361100	HARNESS (RED)	2		L=2000				
4	82100000192	TERMINAL	2						
5	82100000182	INSULATOR	2						
6	31477331600	SUPPORT	2						
7	31477331700	SUPPORT	2						
8	90186208014	BOLT,FLANGE	8		M8X14				
9	82108501240	SWITCH	2						
11	31477331400	PLATE	2						
12	31477331500	PLATE	8						
13	90203200600	NUT	4		M6				
14	90302040601	WASHER,SPRING	4		6				
15	80185306020	SCREW,MACHINE	4						
16	80185306025	SCREW,MACHINE	4						

TM-ZR300 31014010860A FRAME/STD,REMOTE-RADIO CONT.,HOOK-IN

Pos No.	Parts No	Parts Name	Qty	Unit	Technical Data	Serial No (Start)	Serial No (End)	Remarks	Pages
50	31500731000	VOICE ALARM	1						

CLICK HERE TO **DOWNLOAD** THE COMPLETE MANUAL

- Thank you very much for reading the preview of the manual.
- You can download the complete manual from: www.heydownloads.com by clicking the link below



- Please note: If there is no response to CLICKING the link, please download this PDF first and then click on it.

CLICK HERE TO **DOWNLOAD** THE COMPLETE MANUAL