

TM-ZR300 31014010710A FRAME/STD,RADIO CONT.,NABI HOOK
PB000024-02 SYSTEM (ZR300,DOMESTIC)
ASSEMBLY

CLICK HERE TO **DOWNLOAD** THE COMPLETE MANUAL

- Thank you very much for reading the preview of the manual.
- You can download the complete manual from: www.heydownloads.com by clicking the link below



- Please note: If there is no response to CLICKING the link, please download this PDF first and then click on it.

CLICK HERE TO **DOWNLOAD** THE COMPLETE MANUAL

TM-ZR300 31014010710A FRAME/STD,RADIO CONT.,NABI HOOK
PB1020008-00 PUMP ASSY (SELECTION)

- PUMP ASSY
- ポンプASSYの選定

指示番号 key No	PUMP MODEL ポンプ型式番号	RUNNING DIRECTION 回転方向
1	SGP1-32D2H9-L616	COUNTERCLOCKWISE 左

[NOTE]

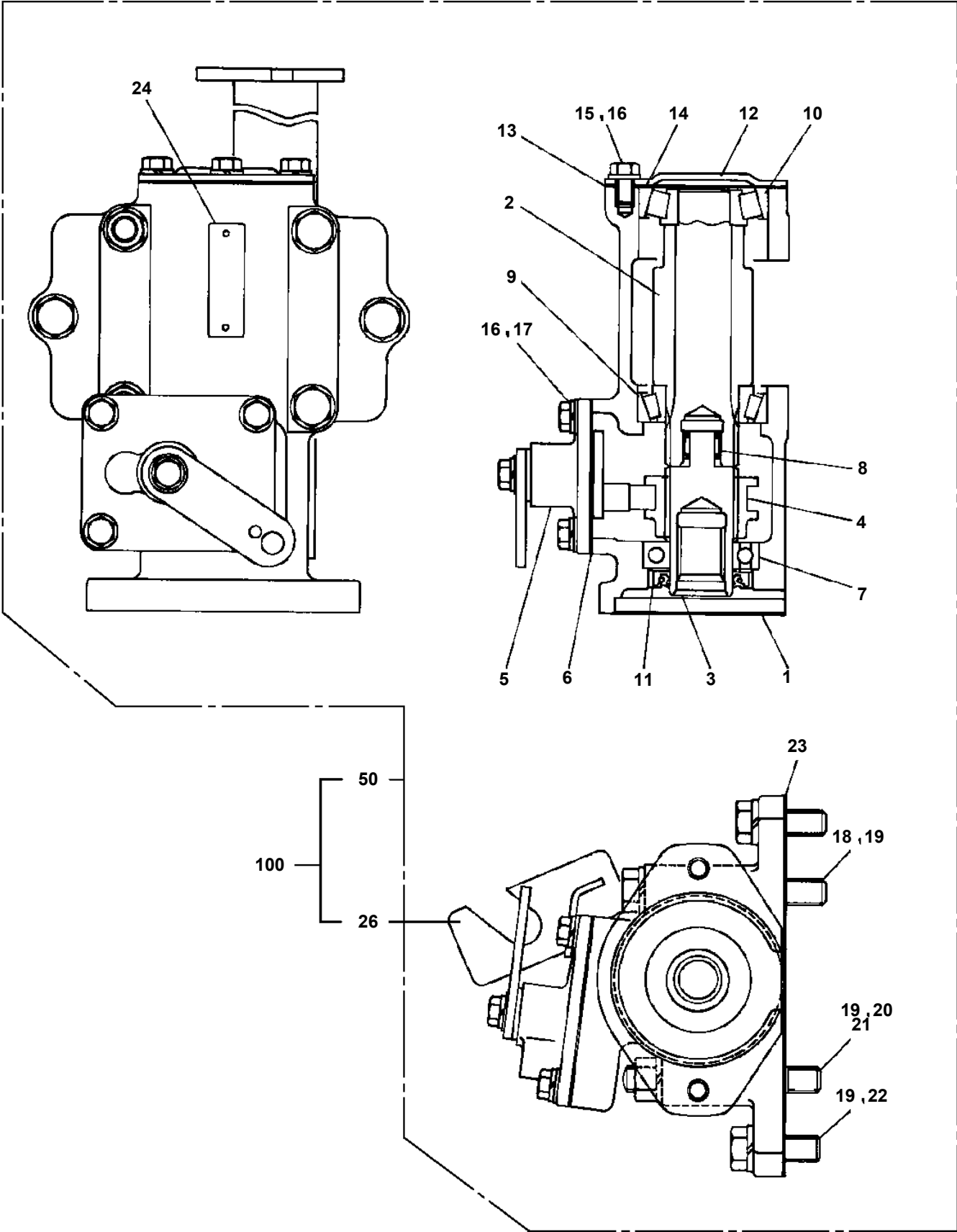
(1) PUMP MODEL NOS. ARE PUNCHED
ON PUMP NAMEPLATE.

(2) THE PUMP RUNNING DIRECTION
IS VIEWED FROM THE SHAFT
TOWARD THE PUMP.

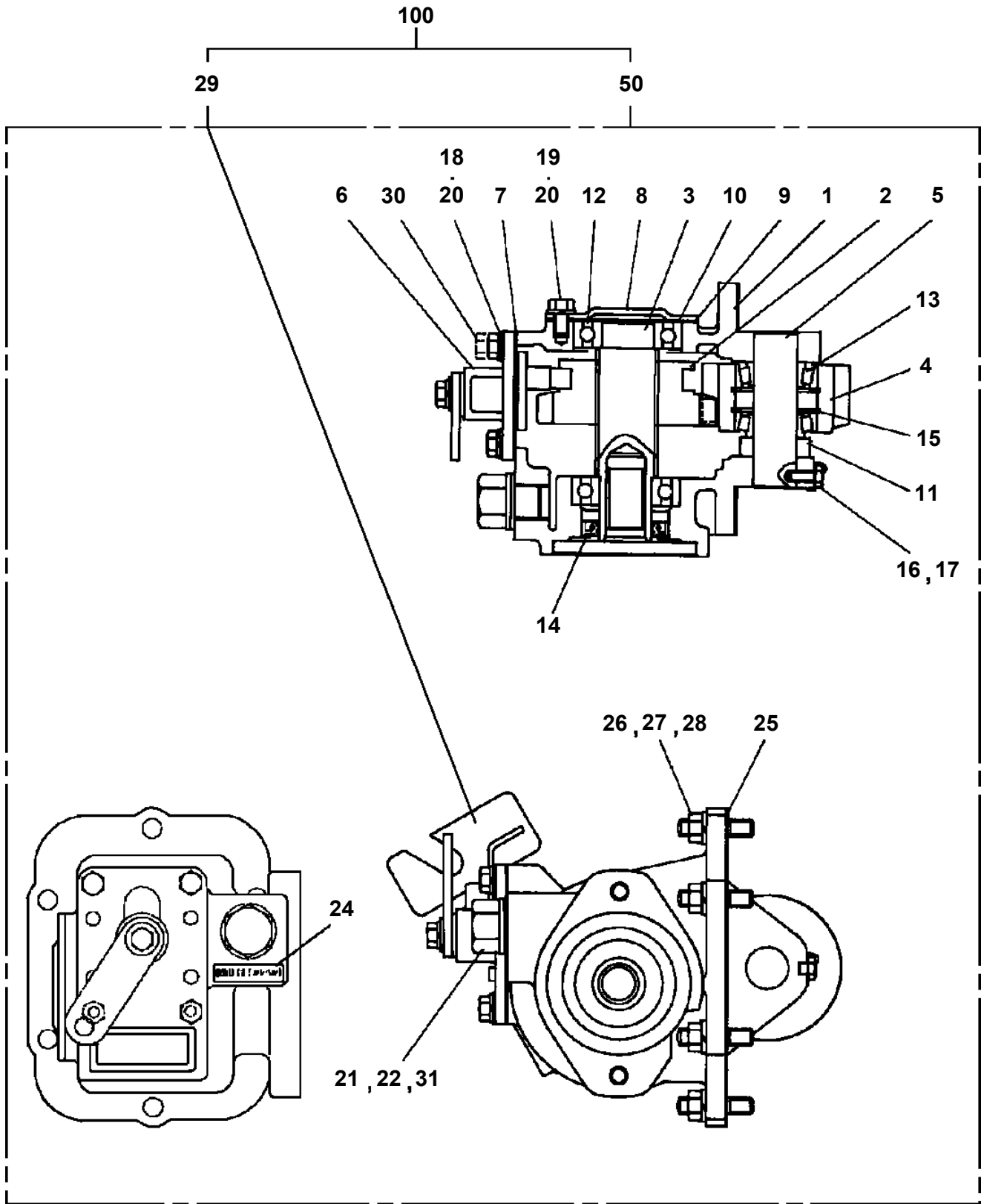
[注 意]

- (1) ポンプ型式番号はポンプ本体の銘板に打刻しています。
- (2) ポンプの回転方向はポンプの軸端から見ての回転方向です。

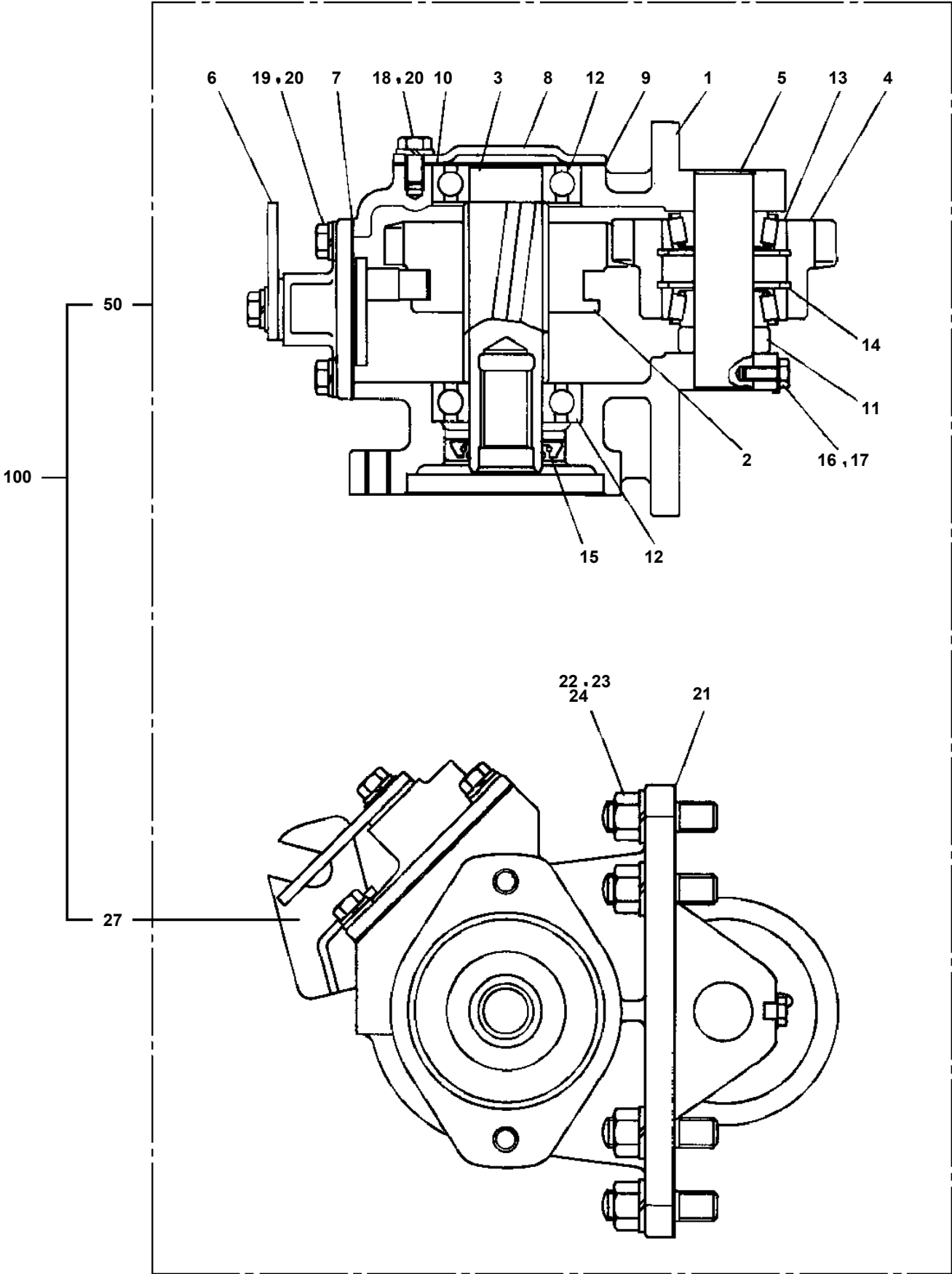
TM-ZR300 31014010710A FRAME/STD,RADIO CONT.,NABI HOOK
PB1030093-02 POWER TAKE OFF



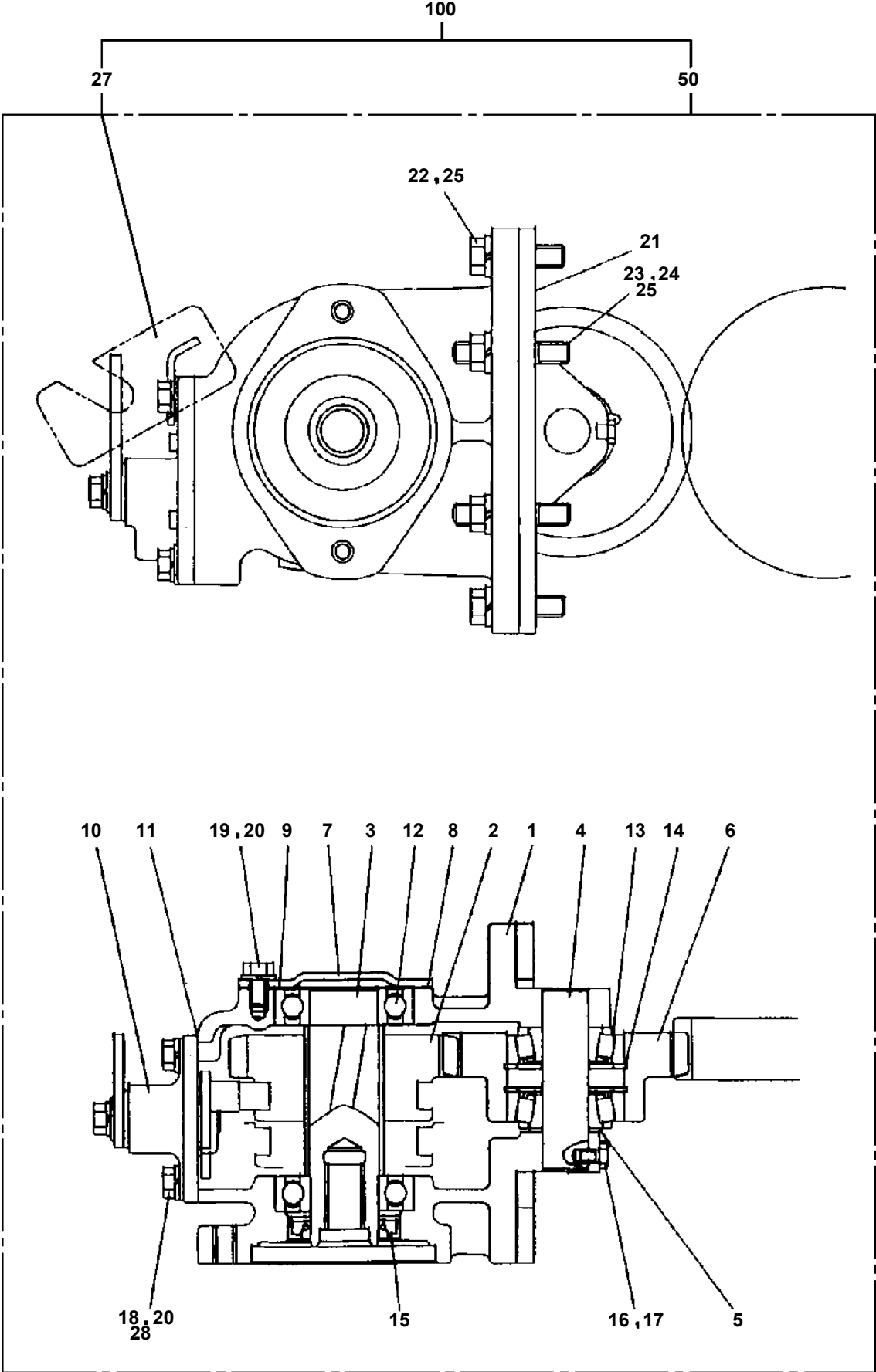
TM-ZR300 31014010710A FRAME/STD,RADIO CONT.,NABI HOOK
PB1030114-03 POWER TAKE OFF



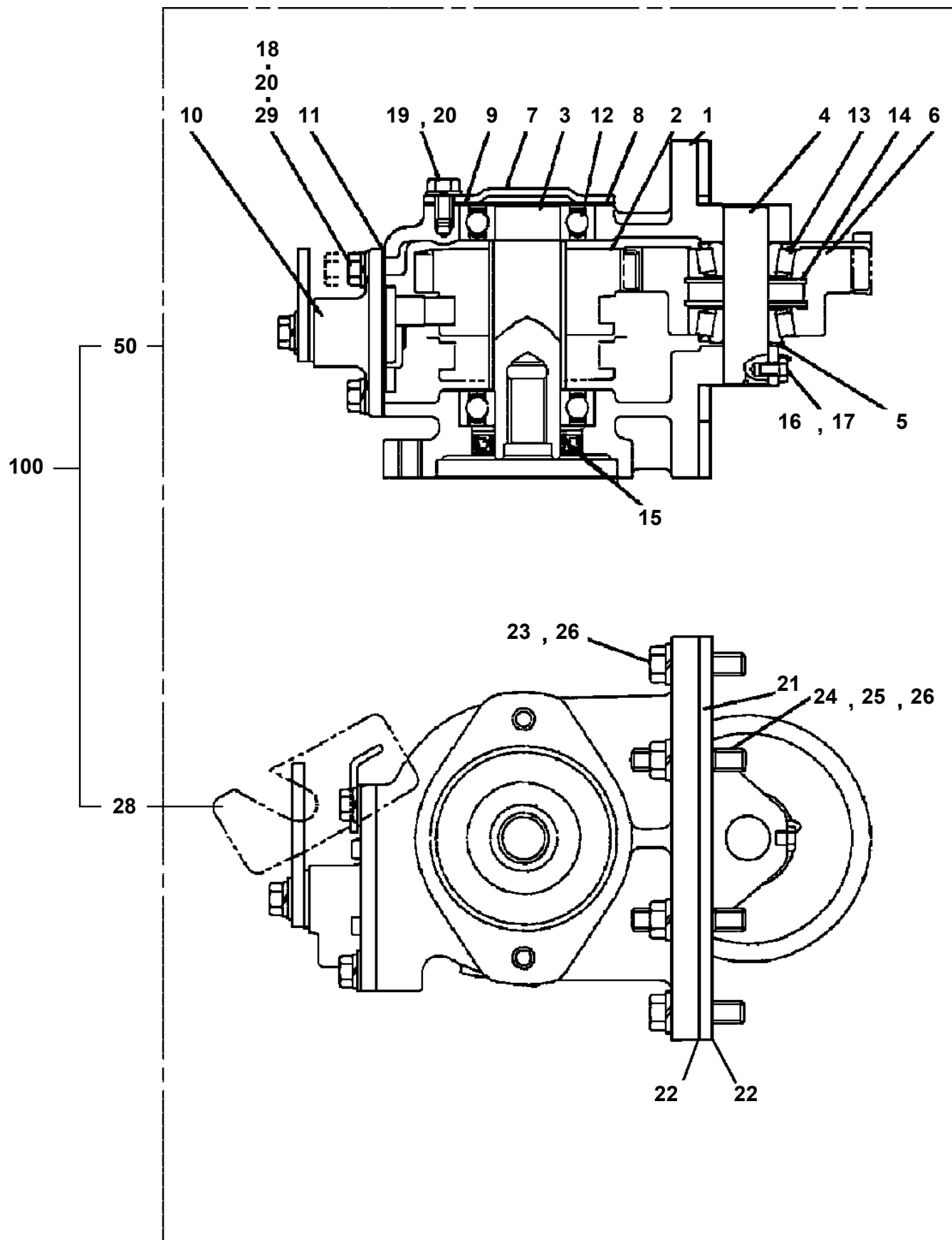
TM-ZR300 31014010710A FRAME/STD,RADIO CONT.,NABI HOOK
PB1030127-02 POWER TAKE OFF



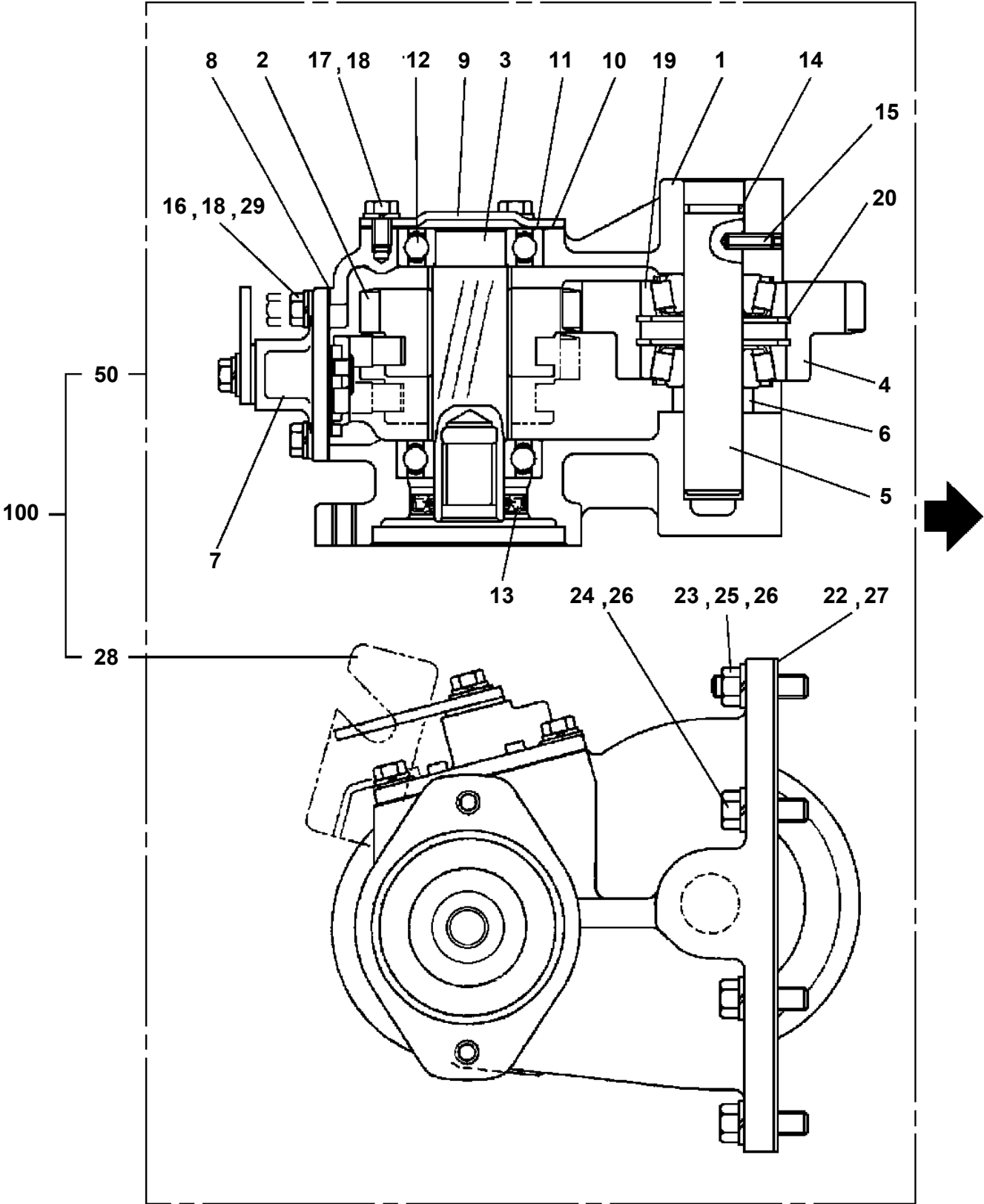
TM-ZR300 31014010710A FRAME/STD,RADIO CONT.,NABI HOOK
PB1030138-02 POWER TAKE OFF



TM-ZR300 31014010710A FRAME/STD,RADIO CONT.,NABI HOOK
PB1030157-02 POWER TAKE OFF



TM-ZR300 31014010710A FRAME/STD,RADIO CONT.,NABI HOOK
PB1030208-01 POWER TAKE OFF



TM-ZR300 31014010710A FRAME/STD,RADIO CONT.,NABI HOOK

Pos No.	Parts No	Parts Name	Qty	Unit	Technical Data	Serial No (Start)	Serial No (End)	Remarks
1	36402470510	CASE	1					
2	36402470520	GEAR	1					
3	36402480510	SHAFT	1					
4	36401125040	SLEEVE	1					
5	36401125050	SHIFTER SET	1					
6	36400095110	PACKING	1					
7	36400095070	COVER (BEARING)	1					
8	36400095080	PACKING (COVER)	1					
9	36400095090	SHIM	N					
10	36402470540	COLLAR	1					
11	80500006903	BEARING,BALL	1					
12	36401125080	BEARING,ROLLER	2					
13	36401125090	BEARING,NEEDLE	1					
14	91206030005	SEAL,OIL	1					
15	36401125100	RING,RETAINING	1					
16	90191208020	BOLT	4		M8X20			
17	90191208014	BOLT	3		M8X14			
18	90302040801	WASHER,SPRING	7		8			
20	36402015020	PACKING	2					
21	36402035040	BOLT	1		M10X1.5X120			
22	36402035050	BOLT	1		M10X1.5X110			
23	90191210050	BOLT	2		M10X50			
24	36402035010	BOLT,STUD	1					
25	36402035020	BOLT,STUD	1					
26	90267201000	NUT	2		M10			
27	90302041001	WASHER,SPRING	6		10			
28	36402470550	SPACER	1					
30	90191208025	BOLT	2		M8X25			
50	36402480000	POWER TAKE OFF ASSY	1					
60	31790990100	SUPPORT	1					
100	31792380000	POWER TAKE OFF	1					

TM-ZR300 31014010710A FRAME/STD,RADIO CONT.,NABI HOOK

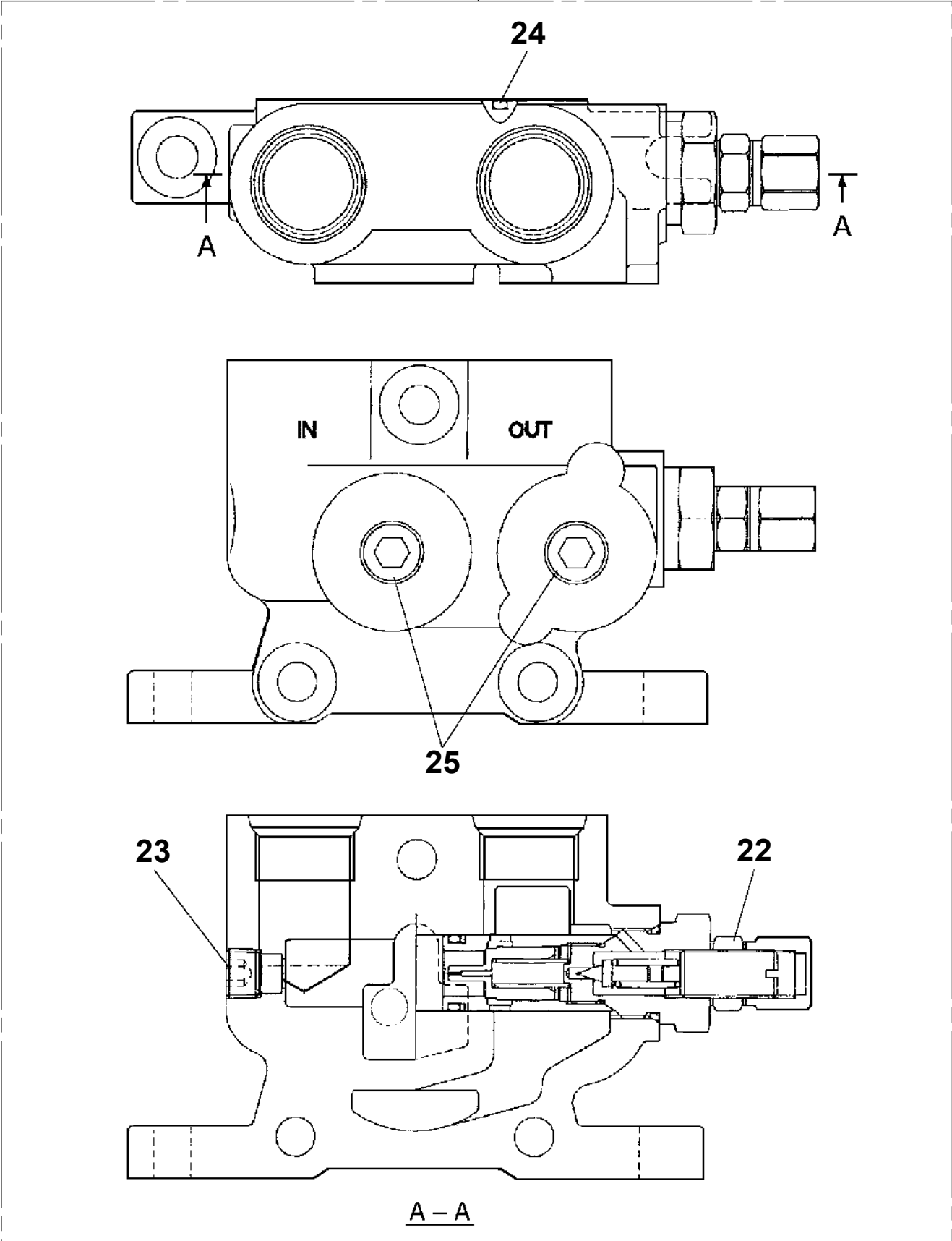
Pos No.	Parts No	Parts Name	Qty	Unit	Technical Data	Serial No (Start)	Serial No (End)
50	36652335010	GASKET	2				
51	36652335020	GASKET	2				
54	53063551010	SEAL,OIL	1				
55	80602110360	RING,RITAINING	1		R36		
100	36652730000	PUMP,HYDRAULIC (LEFT,SPLINE 13)	1				

TM-ZR300 31014010710A FRAME/STD,RADIO CONT.,NABI HOOK

Pos No.	Parts No	Parts Name	Qty	Unit	Technical Data	Serial No (Start)	Serial No (End)	Remarks	Pages
2	80306010085	NUT	1						
3	80309010085	SLEEVE	1						
50	31644592100	JOINT,ROTARY	1						

TM-ZR300 31014010710A FRAME/STD,RADIO CONT.,NABI HOOK
PB1320517-00 VALVE,MANUAL CONTROL (DUMP)

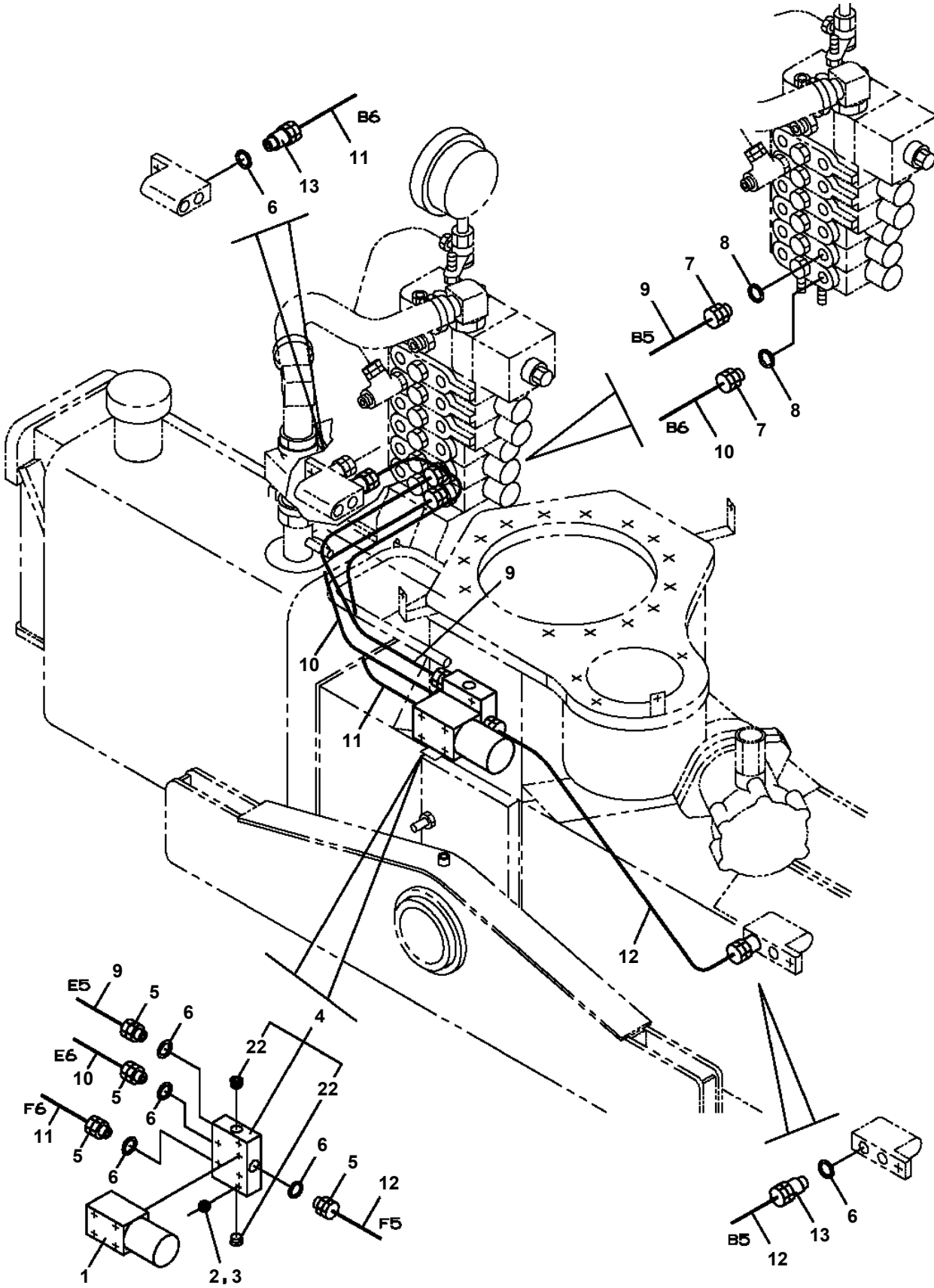
6



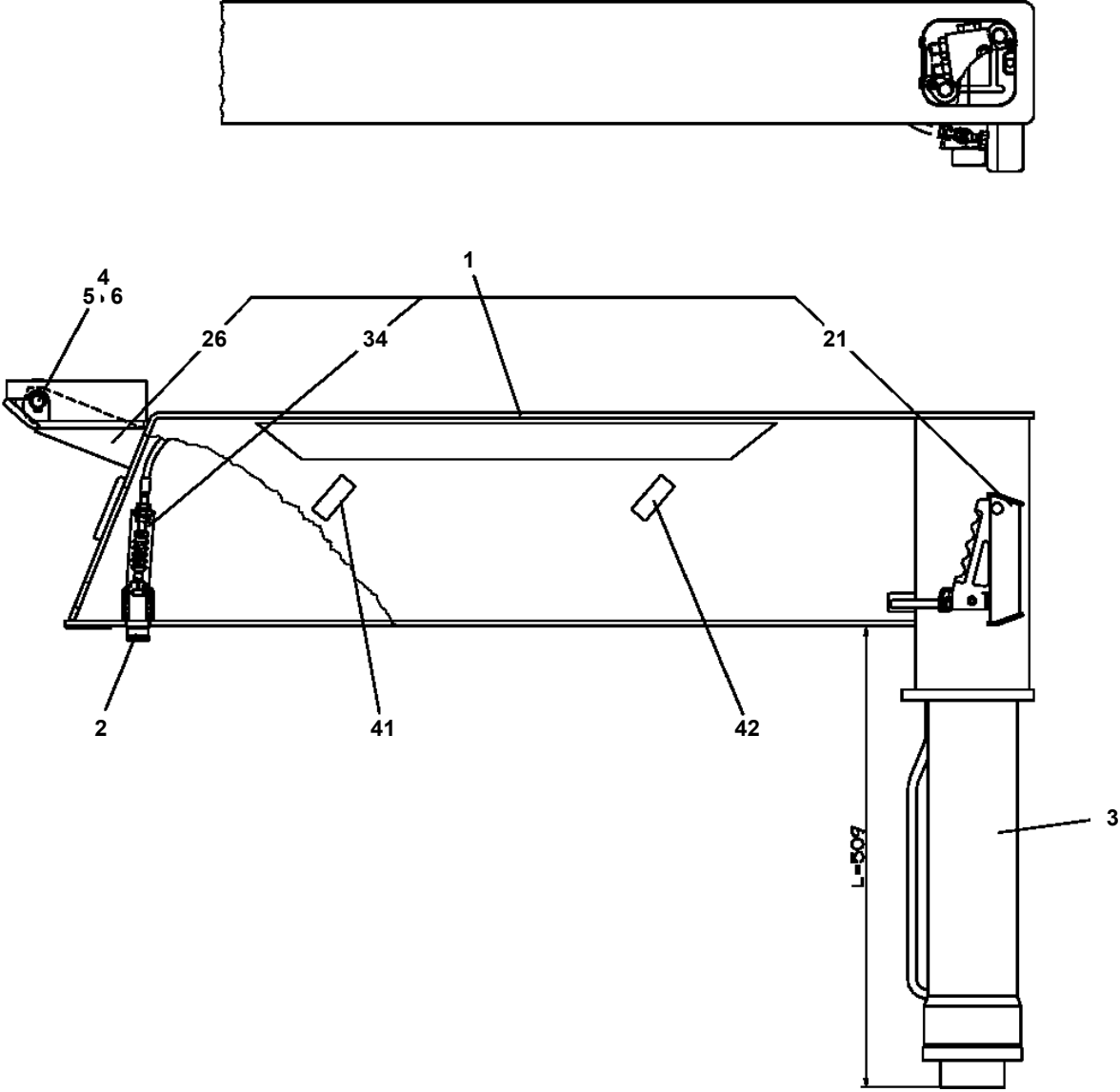
TM-ZR300 31014010710A FRAME/STD,RADIO CONT.,NABI HOOK

Pos No.	Parts No	Parts Name	Qty	Unit	Technical Data	Serial No (Start)	Serial No (End)	Remarks	Pa
1	37002448730	HOSE	2		L=330				
2	91002801400	O-RING	12		1B P14		ES4239		
	91002801400	O-RING	8		1B P14	ES4240			
3	37000804580	JOINT	1						
4	91803880070	CLIP	2		D=13.1-16.2				
5	37002459330	HOSE	1		L=1360				
6	37002459320	HOSE	1		L=1300				
7	37002501360	HOSE	1		L=450				
8	80481103030	JOINT	4		L,G3/8-G3/8		ES4239		
	80430620600	JOINT (WITH O-RING)	4		L,G3/8-G3/8	ES4240			
9	37000920990	JOINT	2						
10	37002448850	HOSE	1		L=600				
	37002480680	HOSE	1		L=600				
11	37002480670	HOSE	1		L=560				
	37002448860	HOSE	1		L=560				
12	37000800310	JOINT	1						
13	82100001412	TUBE, SPIRAL	1	M	SE-12BK	ES6476			
31	91002801400	O-RING	4		1B P14	ES4240			

TM-ZR300 31014010710A FRAME/STD,RADIO CONT.,NABI HOOK
PB1910106-00 PIPING



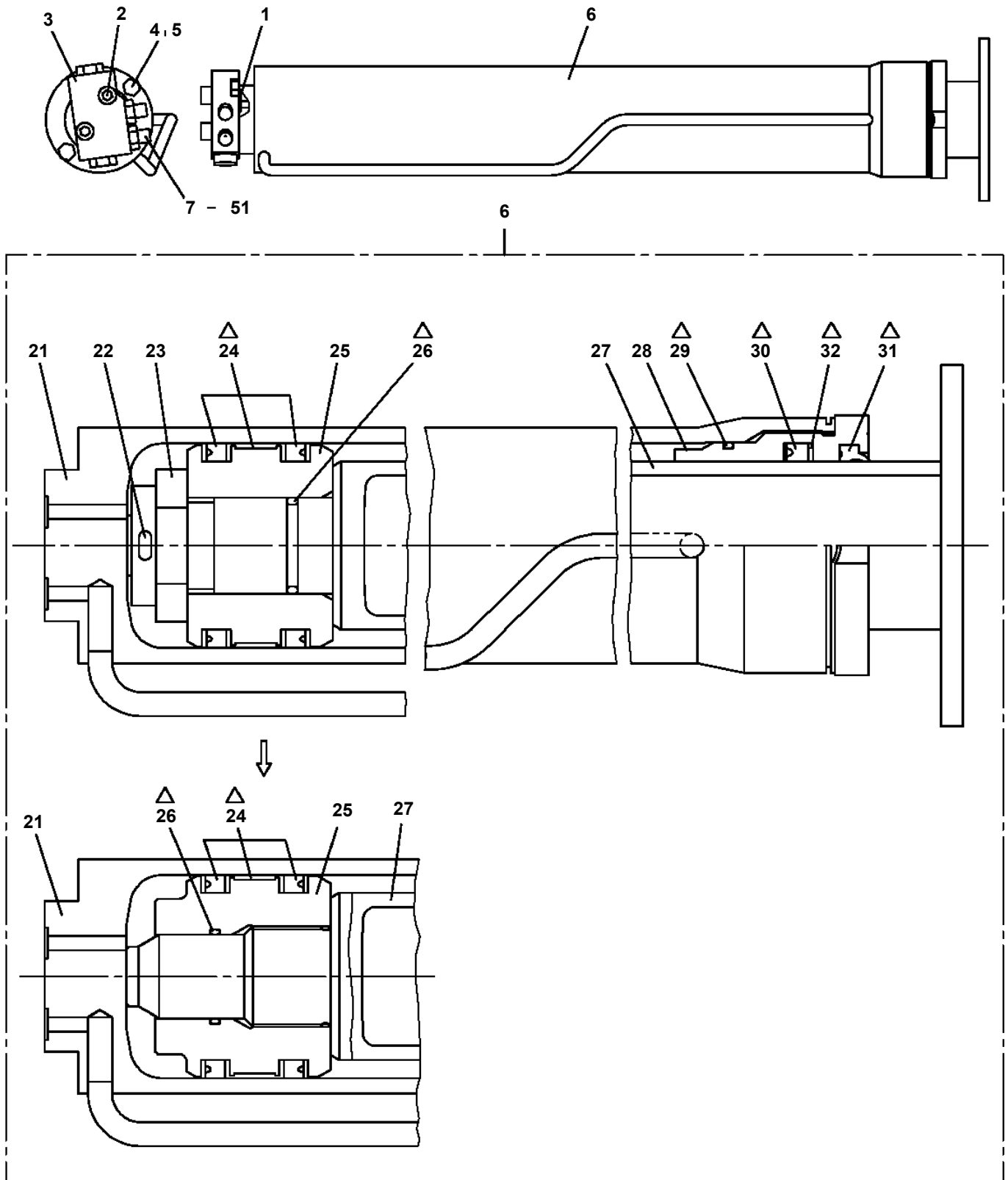
TM-ZR300 31014010710A FRAME/STD,RADIO CONT.,NABI HOOK
PC1010712-01 OUTRIGGER (4TON,WITHOUT FLOAT)



TM-ZR300 31014010710A FRAME/STD,RADIO CONT.,NABI HOOK
 PC1020038-02 OUTRIGGER,REAR (ROTARY)

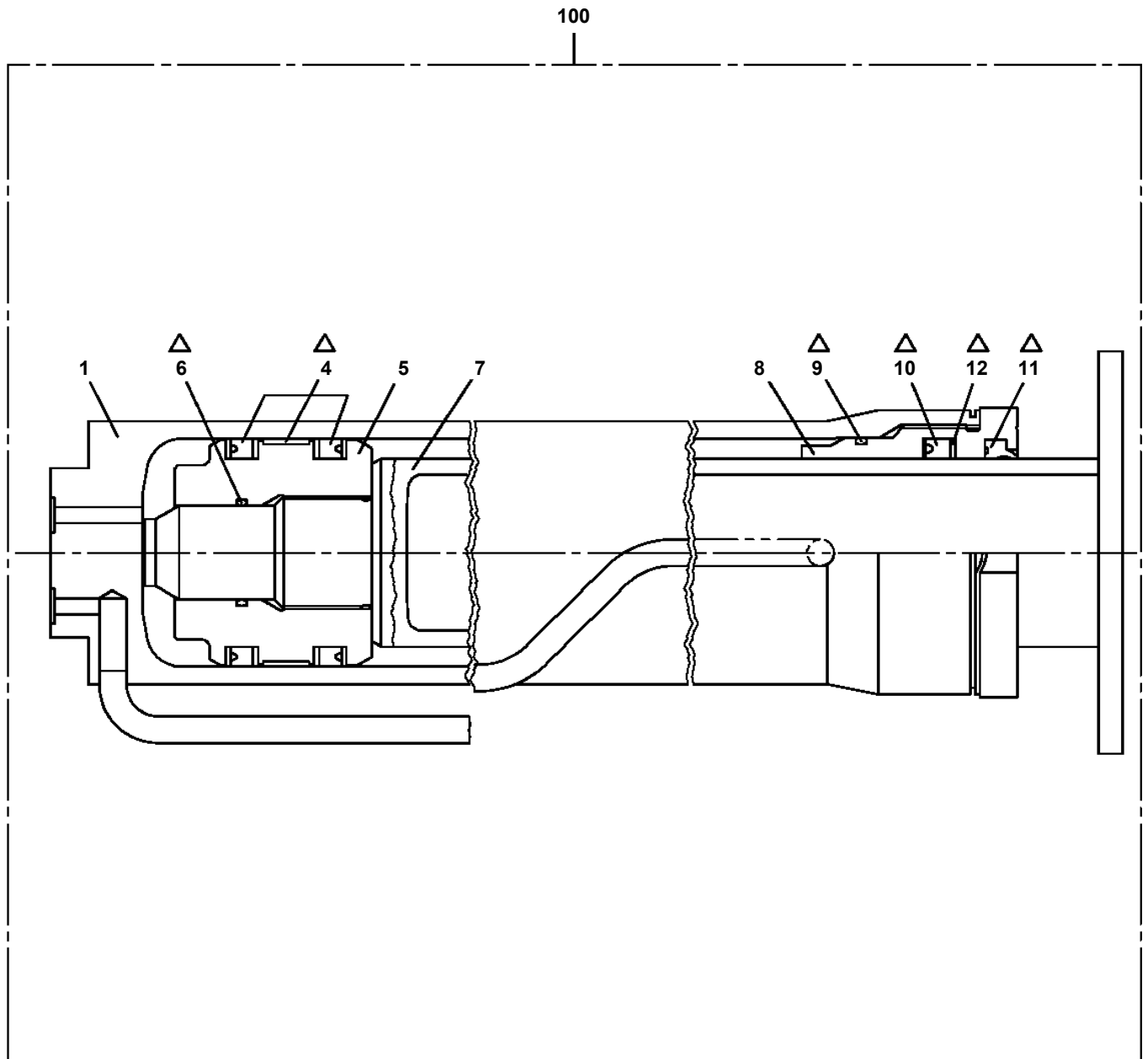
指示番号 KEY NO.	アウトリカ [°] ,リヤ (カイトンシキ) OUTRIGGER,REAR (ROTARY)
1	フレームASSY FRAME ASSY
3	オペ [°] .ASSY,ソウサハ [°] ルフ [°] OPE.ASSY,CONT.VALVE
4	フ [°] レートASSY,ネーム PLATE ASSY,NAME
121	ハ [°] イピ [°] ング [°] ,リヤ ジ [°] ヤツキ (1) PIPING,REAR JACK (1)
122	ハ [°] ルフ [°] ,マニアル コントロール VALVE,MANUAL CONTROL
123	ハ [°] イピ [°] ング [°] ,ロワー PIPING,LOWER

**TM-ZR300 31014010710A FRAME/STD,RADIO CONT.,NABI HOOK
PC1030170-05 CYLINDER,JACK (MIN674.WITH FLOAT)**



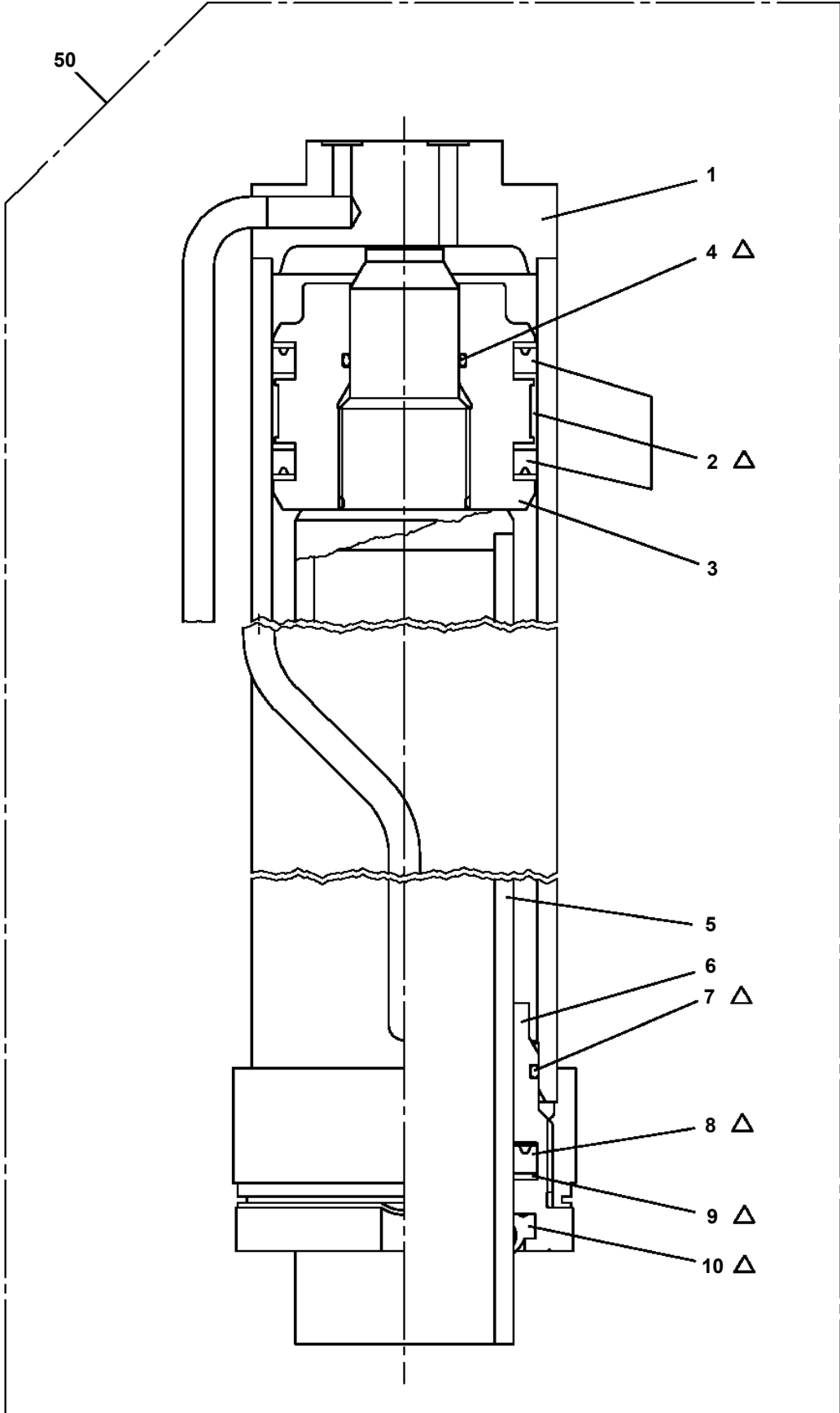
△:PACKING SET KEY NO.40 (KEY NO.24,26,29,30,31,32)
 ↓
 △:PACKING SET KEY NO.41 (KEY NO.24,26,29,30,31,32)

TM-ZR300 31014010710A FRAME/STD,RADIO CONT.,NABI HOOK
PC1030374-02 CYLINDER,JACK (CAST)



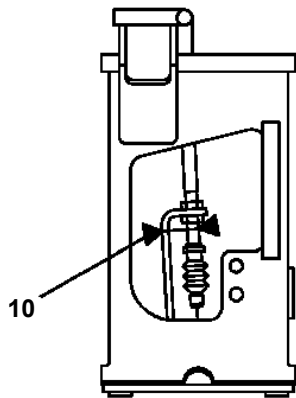
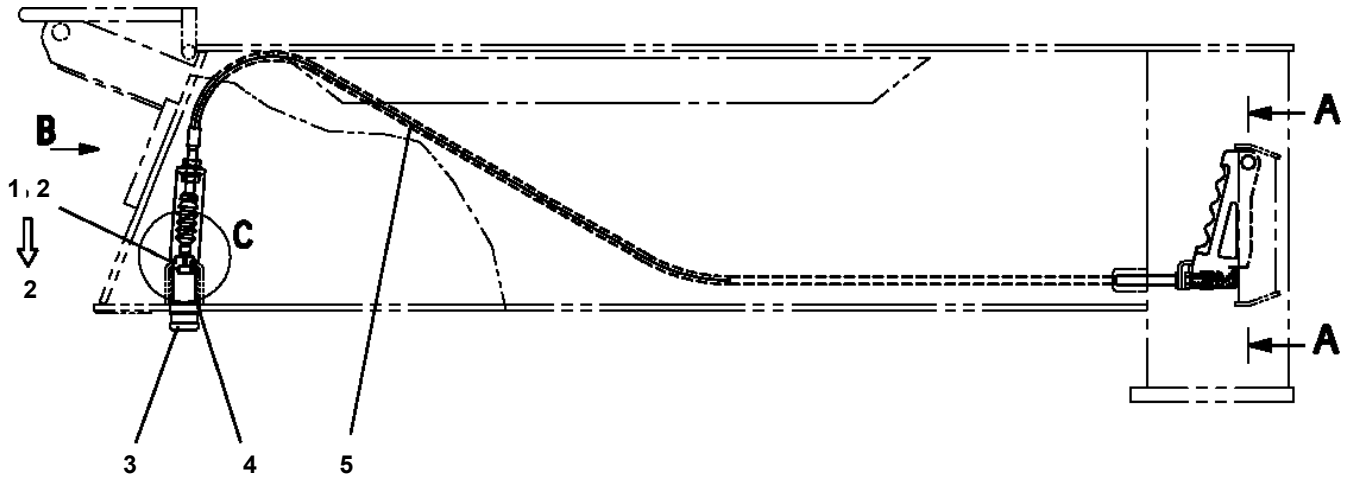
Δ:PACKING SET KEY NO. 51 (KEY NO.4,6,9,10,11,12)

TM-ZR300 31014010710A FRAME/STD,RADIO CONT.,NABI HOOK
PC1030428-01 CYLINDER,JACK (WELDMENT)

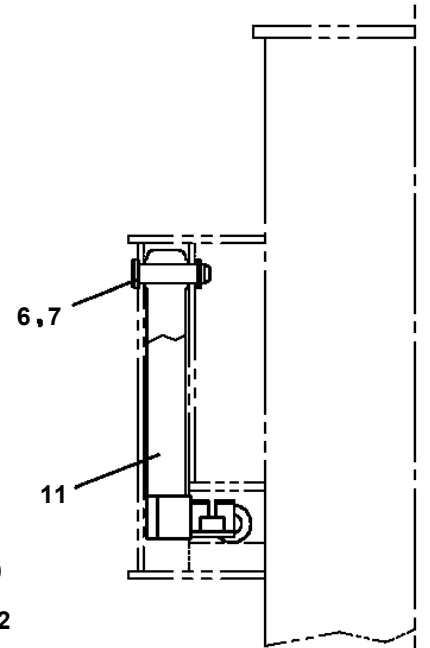


Δ:PACKING SET KEY NO.30 (KEY NO.2,4,7,8,9,10)

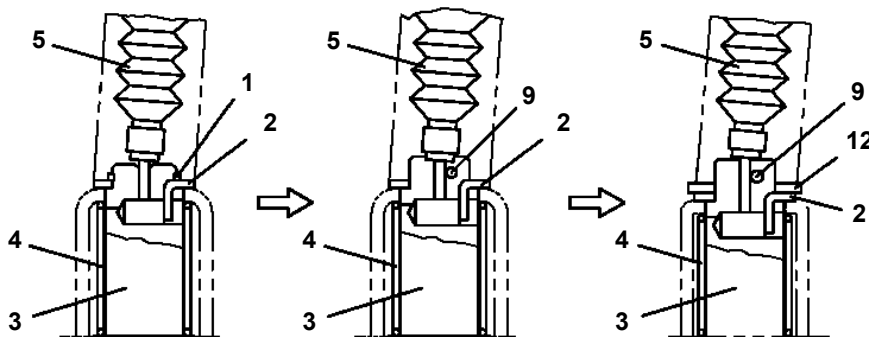
TM-ZR300 31014010710A FRAME/STD,RADIO CONT.,NABI HOOK
PC1100146-05 OPE.ASSY,OUTRIGGER



B



A-A



C

TM-ZR300 31014010710A FRAME/STD,RADIO CONT.,NABI HOOK

Pos No.	Parts No	Parts Name	Qty	Unit	Technical Data	Serial No (Start)	Serial No (End)
1	80400160203	JOINT (WITH O-RING)	1				
2	80400160182	JOINT (WITH O-RING)	2				
3	91803600400	CLIP	2		D=27-40		
4	37002512560	HOSE	1		L=1640		
5	37002446480	HOSE	1		L=1730		
6	91810130270	FASTENER	4				
7	31612423100	SUPPORT	1				
8	90171108014	BOLT	4		M8X14		
9	90302040801	WASHER,SPRING	8		8		
10	90101208025	BOLT	4		M8X25		
11	90201200800	NUT	1		M8		
12	37000604210	CLAMP	1		D=36		
13	82100002016	CLAMP	1		WR25		
14	80430620800	JOINT	1				
15	80491403020	JOINT (WITH O-RING)	4				
17	37000924120	JOINT	1				
18	91002801800	O-RING	2		1B P18		
19	37000924110	JOINT	1		S,G1/2-G1/2		
20	37002417350	HOSE	8		L=1060		
21	81408000120	PIPE,STEEL	5	M	10X1.5T		
22	31642951100	COVER	1				
23	31642991100	CLAMP ASSY	2				
24	80320410020	FITTING	8				
25	37000560350	SUPPORT	2				
26	37000713290	CLAMP ASSY	1				
27	37000300720	SLEEVE	4		12-10		
28	36635620000	VALVE,MANUAL CONTROL (REAR OUTRIGGER)	1				
41	91002802900	O-RING	1		1B P29		
51	91002801800	O-RING	3		1B P18		
61	91002801400	O-RING	4		1B P14		

TM-ZR300 31014010710A FRAME/STD,RADIO CONT.,NABI HOOK

Pos No.	Parts No	Parts Name	Qty	Unit	Technical Data	Serial No (Start)	Serial No (End)
1	37001601420	NUT	1		M27X2		
2	91002902500	O-RING	1		1B G25		
3	91350206000	BEARING,PLAIN (WITH PACKINGX2)	1				
4	36013823000	PISTON	1				
5	36033162000	ROD	1				
6	36034731002	CYLINDER	1				
7	36013823200	COVER,ROD	1				
8	91002905500	O-RING	1		1B G55		
9	91694004500	PACKING	1				
10	91410204502	RING,BACKUP	1				
11	91660004501	SEAL,DUST	1				
50	36033169910	PACKING SET	1		45X60		
100	36034730001	CYLINDER ASSY,JACK (MIN.550)	1				

TM-ZR300 31014010710A FRAME/STD,RADIO CONT.,NABI HOOK

Pos No.	Parts No	Parts Name	Qty	Unit	Technical Data	Serial No (Start)	Serial No (End)	Remarks
1	31500701100	HARNESS	1					
2	82100002596	RELAY	1				KD2332	
	34354781720	RELAY (WITH HARNESS)	1			KD2333		
3	31473744700	HARNESS (L=1000)	1					
4	91810130240	FASTENER	4					
5	44630111170	SPACER	1					
6	90186206045	BOLT,FLANGE	1		M6X45			
7	90303070601	WASHER,PLAIN	1		6			

TM-ZR300 31014010710A FRAME/STD,RADIO CONT.,NABI HOOK

Pos No.	Parts No	Parts Name	Qty	Unit	Technical Data	Serial No (Start)	Serial No (End)	Rema
1	37001500000	BOLT	1					
2	90302041201	WASHER,SPRING	1		12			
3	90303101201	WASHER,PLAIN	1		12			
4	90172110028	BOLT,HEXAGON SOCKET	3		M10X28			
5	90302041001	WASHER,SPRING	3		10			
6	90303071001	WASHER,PLAIN	3		10			
7	36072250000	WINCH (OOKUBO)	1					
8	82401800080	PLUG (FOR M8)	2					
9	31310610500	BREATHER,AIR	1					
10	90172108025	BOLT,HEXAGON SOCKET	2		M8X25			
11	90302400801	WASHER,SPRING (8)	6					
12	36663100000	MOTOR,HYDRAULIC (WINCH)	1					
13	91001206000	O-RING	1		1A G60			
14	37000134390	PIN	1					
15	90186210014	BOLT,FLANGE	2		M10X14			
16	37000300350	SPACER	2		L=18.5			
17	31310391000	COVER	1					
18	31311210500	DRUM,WINCH (Y.G.TEC)	1					
	31311210100	DRUM ASSY (HARTYS)	1					
19	37002600190	WEDGE	1		8			
20	90101208016	BOLT	4		M8X16			
21	31311210200	PLATE	1					
22	31311210300	SPACER	4					
23	37000516640	PLATE	3		T=1			

TM-ZR300 31014010710A FRAME/STD,RADIO CONT.,NABI HOOK

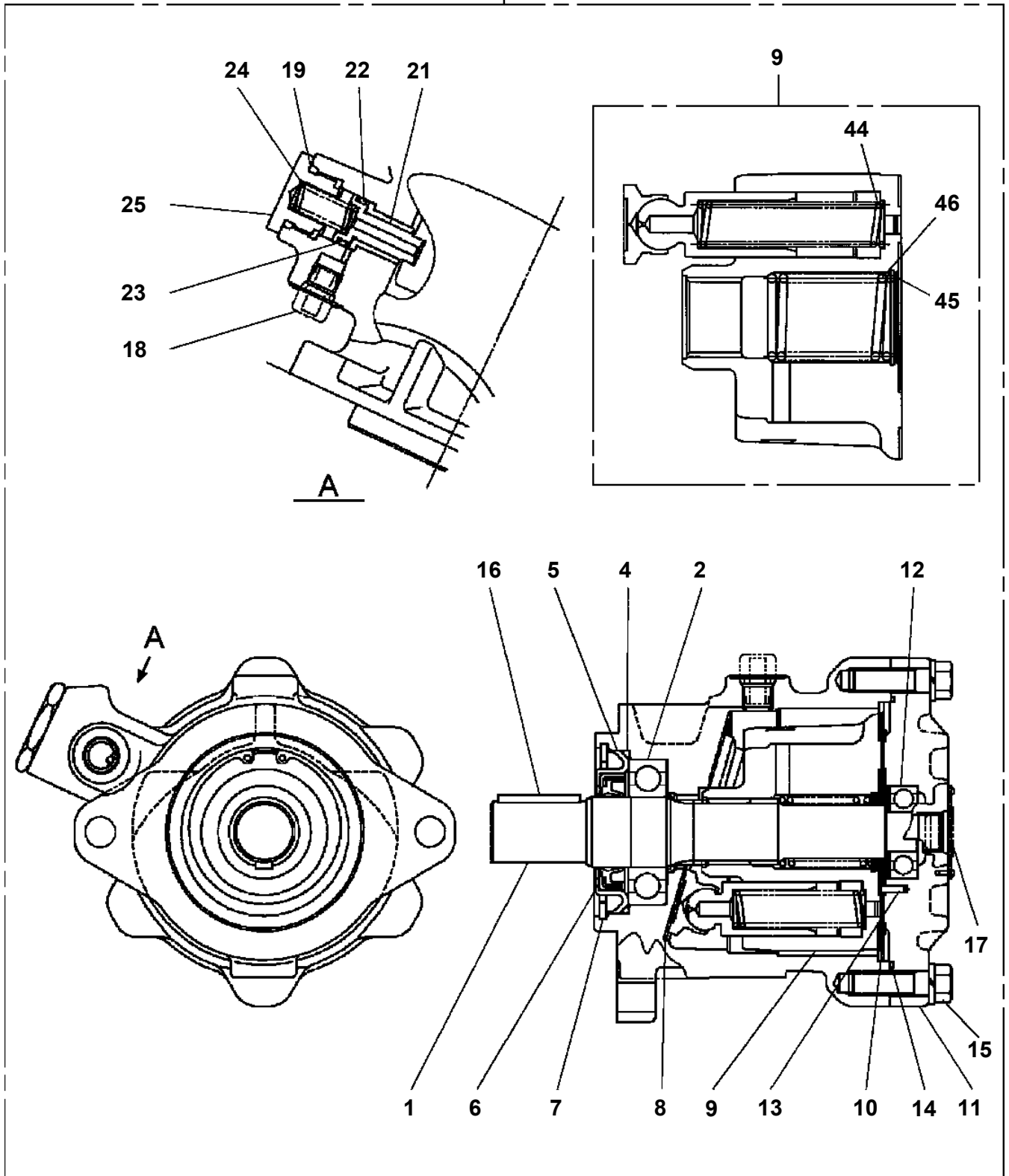
Pos No.	Parts No	Parts Name	Qty	Unit	Technical Data	Serial No (Start)	Serial No (End)	Remarks	Pages
1	31360743100	SUPPORT	1				ER6542		
	31360743800	SUPPORT	1			ER6543	ES1502		
	31360743801	SUPPORT	1			ES1503			
2	80183308016	SCREW,MACHINE	2		M8X16		ER6542		
3	31360743301	PLATE	1						
4	31360743200	PLATE	2						
5	31360743400	SUPPORT	1				ES1502		
	31360743401	SUPPORT	1			ES1503			
6	90186206035	BOLT,FLANGE	4		M6X35				
7	82108901240	SWITCH	2						
8	90101204020	BOLT	6		M4X20				
9	90302040401	WASHER,SPRING	6		4				
10	90303070401	WASHER,PLAIN	6		4				
11	90201200400	NUT	6		M4				
12	31360743500	SUPPORT	1						
13	90186206010	BOLT,FLANGE	3		M6X10		ER6542		
	90186206010	BOLT,FLANGE	2		M6X10	ER6543			
14	82108901250	SWITCH	1						
15	82401600506	CLAMP	1		D6.5				
16	31360743600	SUPPORT	1				ER6542		
18	31360743700	SUPPORT	1				ES1502		
	31360743701	SUPPORT	1			ES1503			
19	90186208010	BOLT,FLANGE	4		M8X10	ER6543			

TM-ZR300 31014010710A FRAME/STD,RADIO CONT.,NABI HOOK

Pos No.	Parts No	Parts Name	Qty	Unit	Technical Data	Serial No (Start)	Serial No (End)	Remarks	Pages
1	31360741200	HARNESS	1						

TM-ZR300 31014010710A FRAME/STD,RADIO CONT.,NABI HOOK
PI1010223-01 MOTOR,HYDRAULIC

200



CLICK HERE TO **DOWNLOAD** THE COMPLETE MANUAL

- Thank you very much for reading the preview of the manual.
- You can download the complete manual from: www.heydownloads.com by clicking the link below

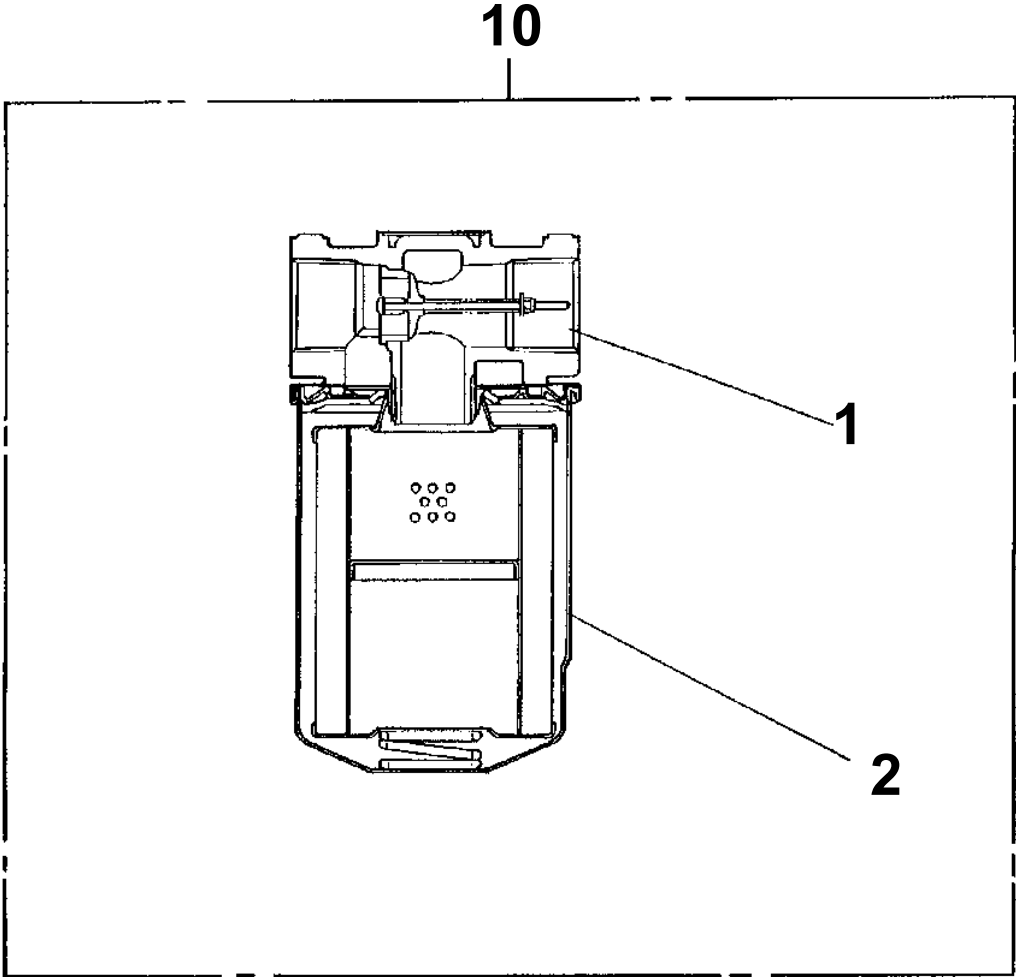


- Please note: If there is no response to CLICKING the link, please download this PDF first and then click on it.

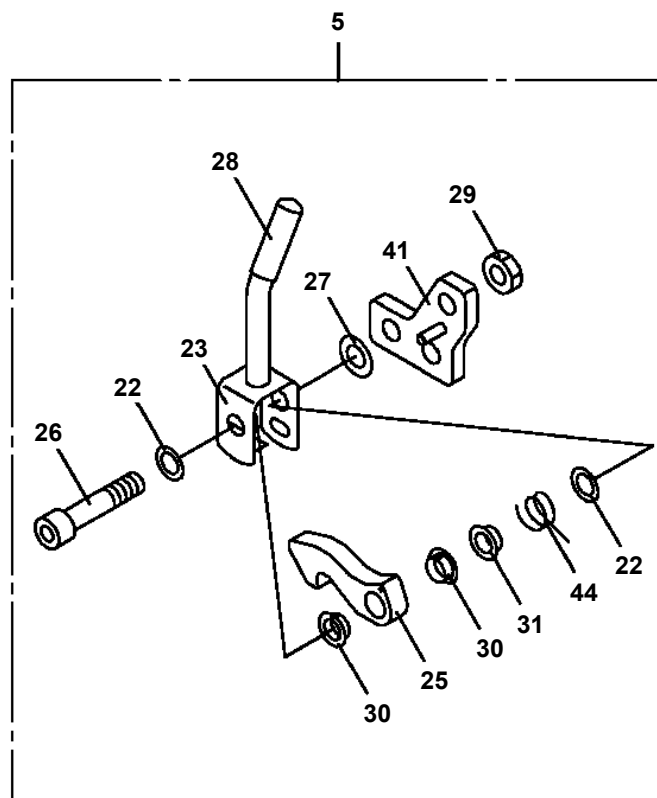
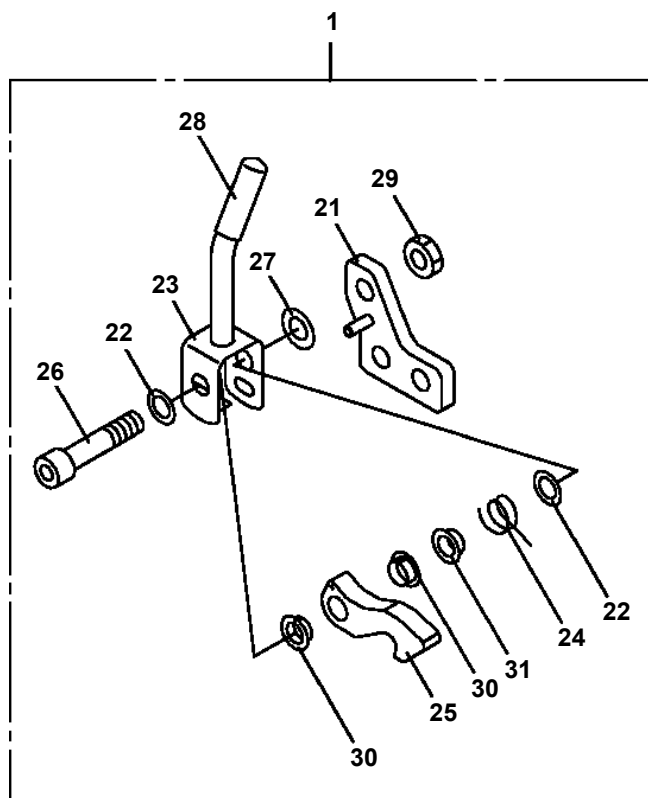
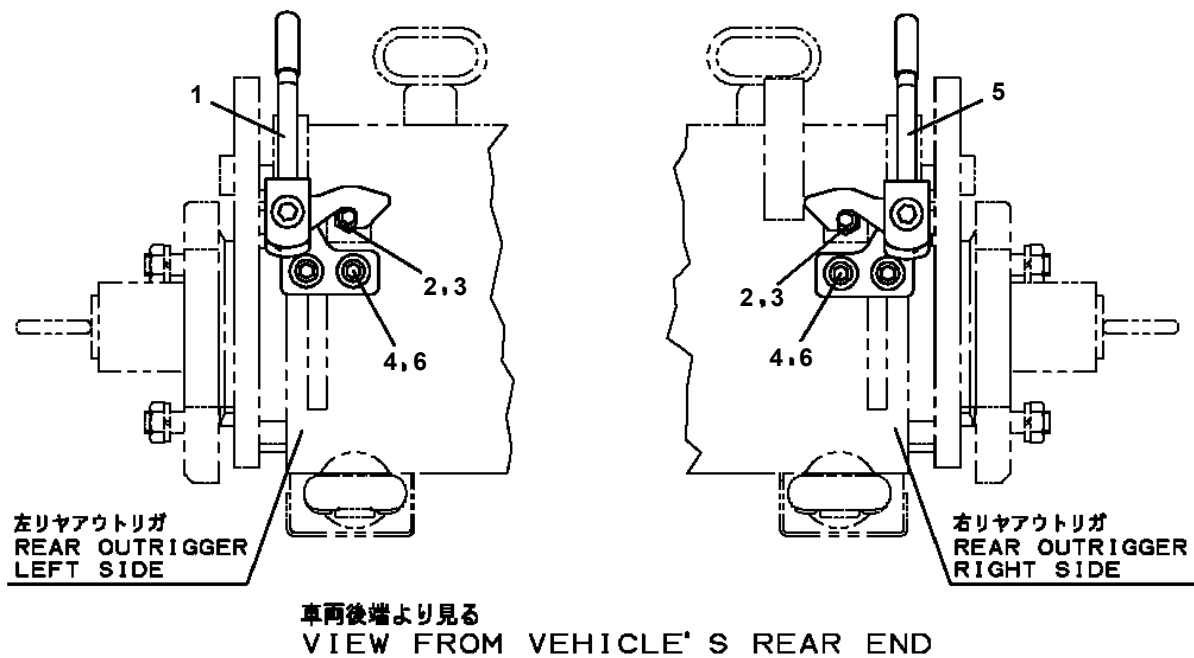
CLICK HERE TO **DOWNLOAD** THE COMPLETE MANUAL

TM-ZR300 31014010710A FRAME/STD,RADIO CONT.,NABI HOOK
PI1300061-02 FILTER,OIL (YAMASHIN)

Assembly Name FILTER, OIL



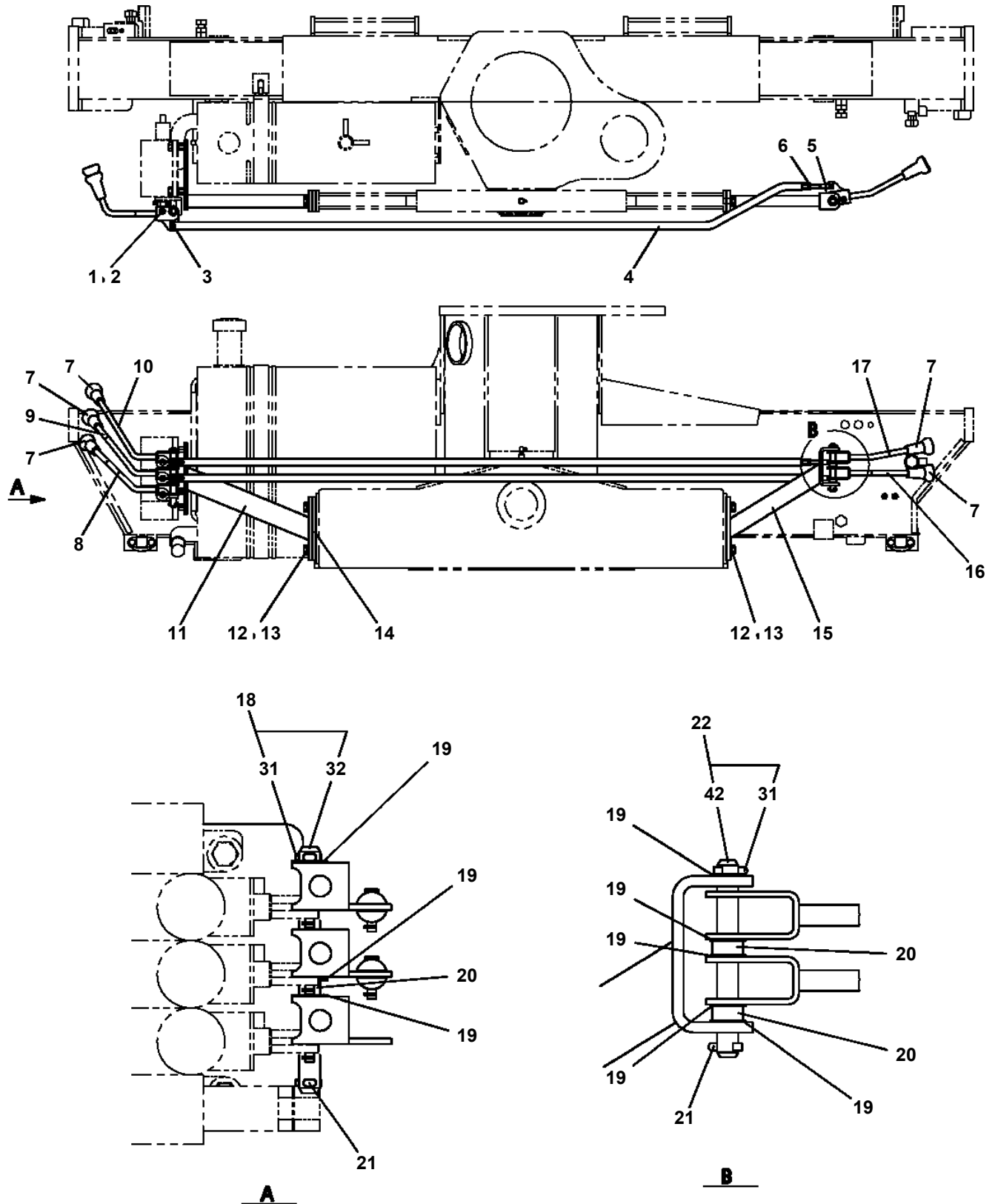
TM-ZR300 31014010710A FRAME/STD,RADIO CONT.,NABI HOOK
 PJ3410034-02 LOCK ASSY (REAR OUTRIGGER)



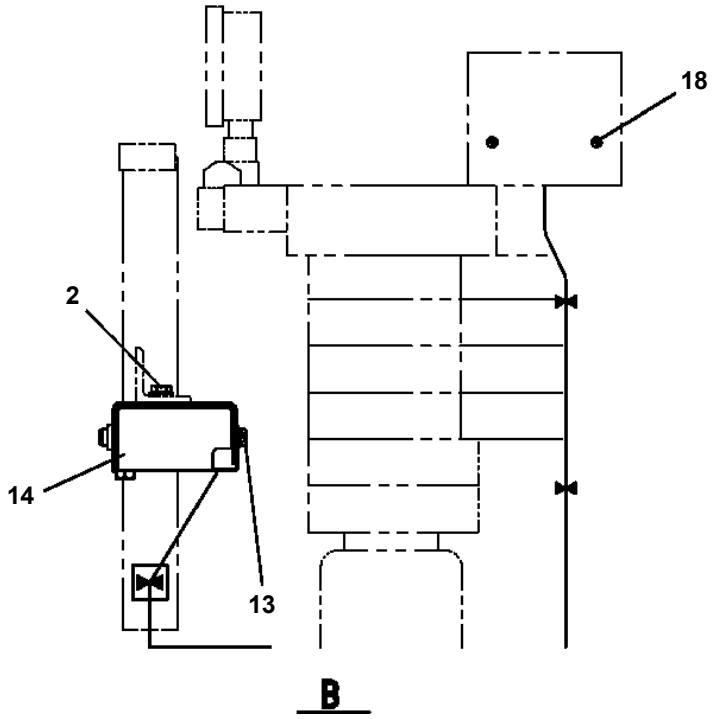
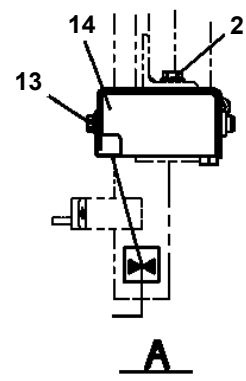
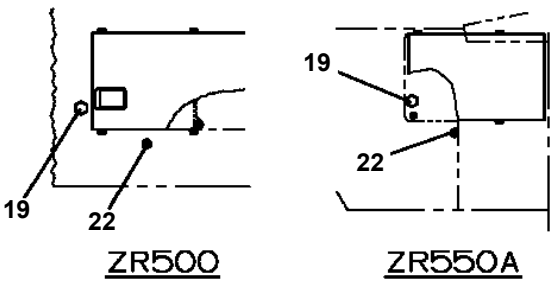
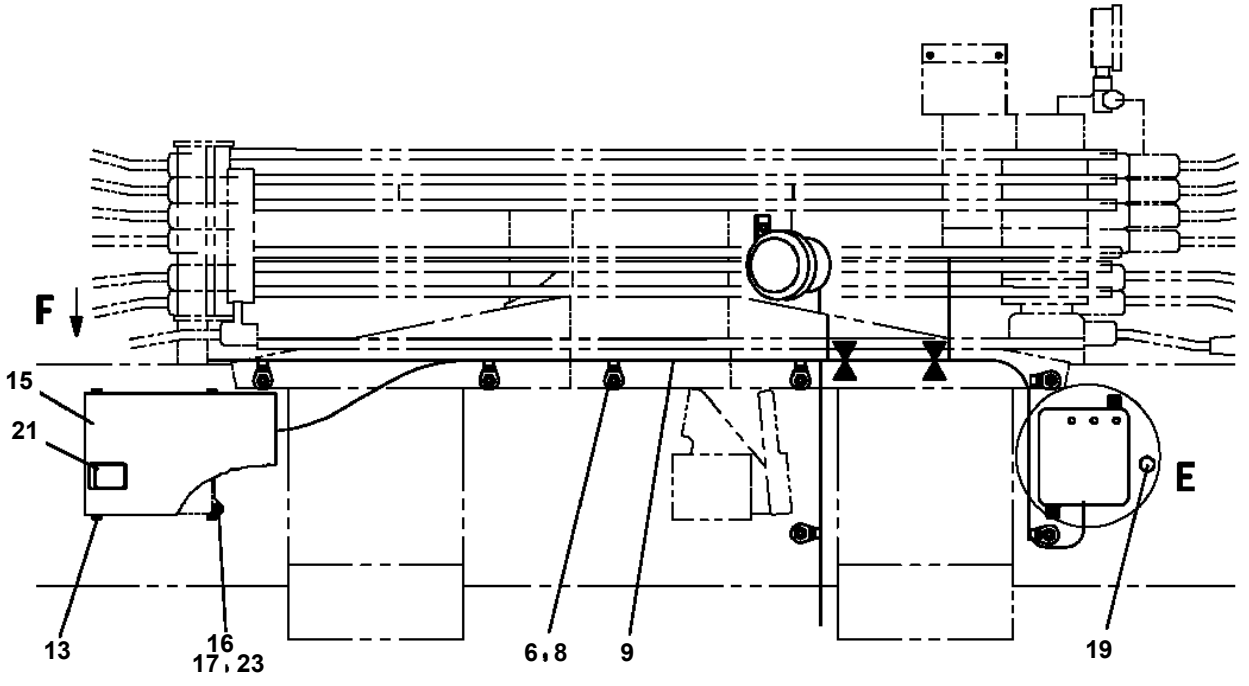
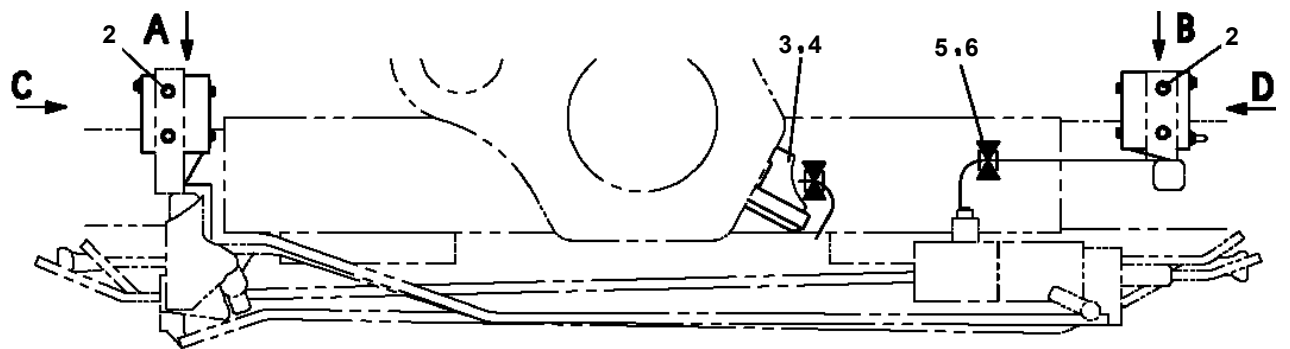
TM-ZR300 31014010710A FRAME/STD,RADIO CONT.,NABI HOOK

Pos No.	Parts No	Parts Name	Qty	Unit	Technical Data	Serial No (Start)	S
1	(*****)	FRAME	1				
2	(*****)	TANK,OIL (MOUNT)	1				
3	(*****)	REDUCER,SWING SPEED (MOUNT)	1				
4	(*****)	COVER,BEARING	1				
5	31631130000	JOINT,ROTARY	1				
6	(*****)	STOPPER,ROTARY JOINT	1				
7	(*****)	SWING FRAME	1				
8	(*****)	CYLINDER,ELEVATING	1				
9	(*****)	MOUNT,WINCH	1				
	(*****)	MOUNT,WINCH	1			ER3652	
10	(*****)	PIPING,UPPER	1				
	(*****)	PIPING,UPPER	1			ER3652	
11	(*****)	OPE.ASSY,CONT.VALVE (CRANE)	1				
13	(*****)	PIPING,LOWER	1				
14	(*****)	PIPING,LOWER (REMOTE CONT.VALVE/SANWA)	1				
16	(*****)	ELEC.ASSY	1				
17	(*****)	ELEC.ASSY (SWITCH COVER)	1				
19	36682160000	METER,LOAD (2.9TON NAGANO/ENG.& JAPANESE)	1				
	36682150000	METER,LOAD (2.9TON KUSABA/ENG.& JAPANESE)	1				
21	(*****)	OUTRIGGER (4TON,WITHOUT FLOAT)	2				
	(*****)	OUTRIGGER (4TON,WITH FLOAT)	2				
	(*****)	OUTRIGGER (G-TYPE,WITHOUT FLOAT)	2				

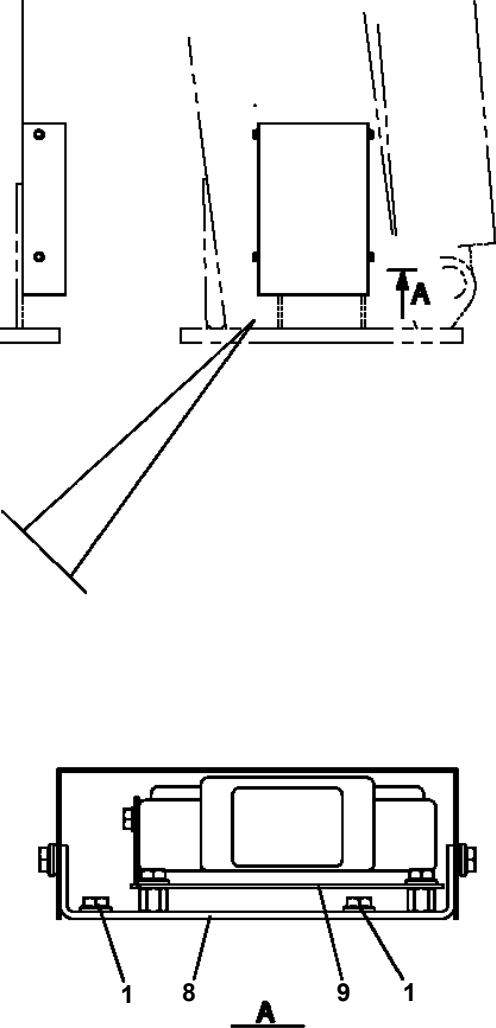
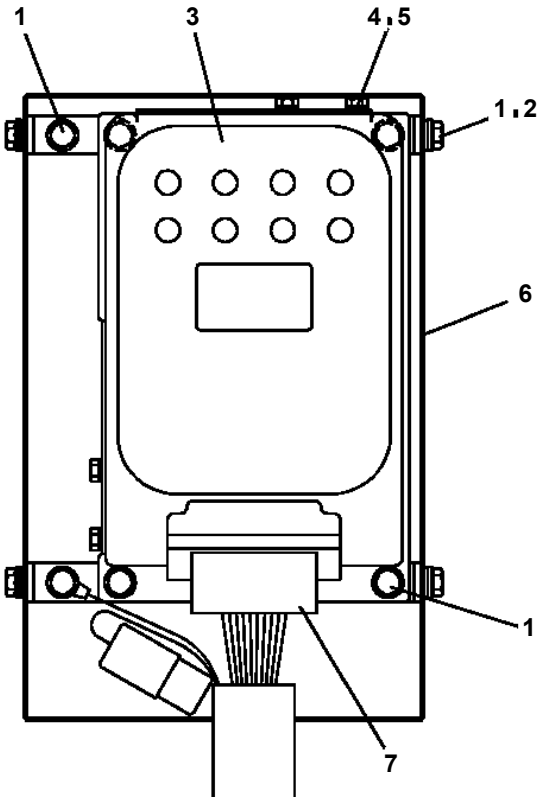
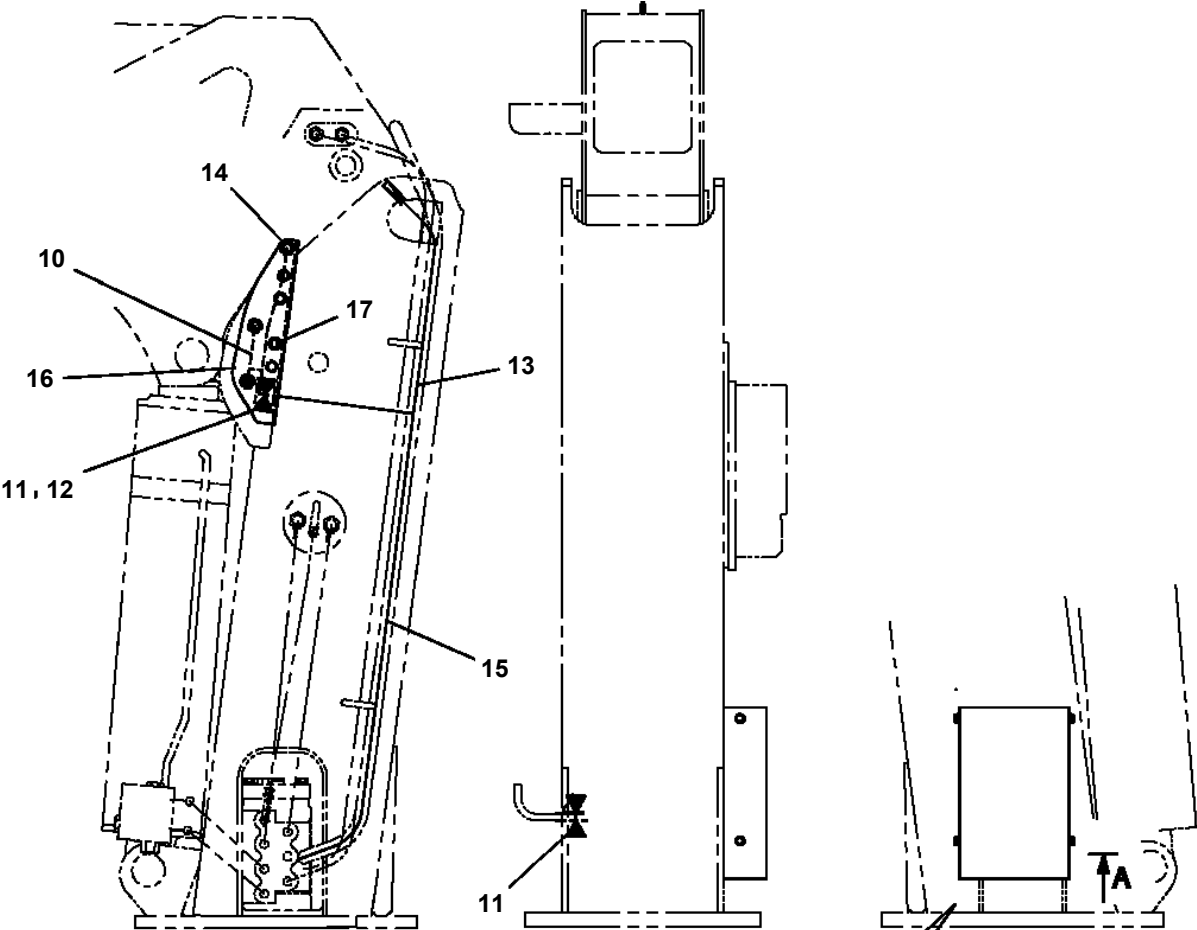
TM-ZR300 31014010710A FRAME/STD,RADIO CONT.,NABI HOOK
PL1011068-00 OPE.ASSY,CONT.VALVE



**TM-ZR300 31014010710A FRAME/STD,RADIO CONT.,NABI HOOK
PN1012942-02 ELEC.ASSY**



TM-ZR300 31014010710A FRAME/STD,RADIO CONT.,NABI HOOK
PN1012947-00 ELEC.ASSY (POST)



TM-ZR300 31014010710A FRAME/STD,RADIO CONT.,NABI HOOK

Pos No.	Parts No	Parts Name	Qty	Unit	Technical Data	Serial No (Start)	Serial No (End)	Remarks	Pages
1	91810130240	FASTENER	6						
2	31500001100	HARNESS	1						
3	90186206010	BOLT,FLANGE	1		M6X10				
4	82165904030	LAMP	1		24V 45W				
5	90280201000	NUT,FLANGE	1		M10				
6	90813108020	BOLT,WING	1		M8X20				
7	90309331201	WASHER	2		L12				
8	90303071201	WASHER,PLAIN	1		12				
9	90236201200	NUT,CASTLE	1		2H M12				
10	80136325025	PIN,SPLIT	1		2.5X25				
11	31650690500	LEVER	1						
12	31650690400	SUPPORT	1						
13	90280200600	NUT,FLANGE	3		M6				
14	31477322100	SUPPORT	1						
15	90101206016	BOLT	2		M6X16				
16	82401600504	CLAMP	2		D=4.5				
31	36161180000	REEL,CORD	1						00018
32	36161710000	REEL ASSY,CORD	1						00022
33	36161710000	REEL ASSY,CORD	1						00022
34	36161700000	REEL ASSY,CORD	1						00022
35	36161240000	REEL,CORD	1						00018
36	36160330001	REEL,CORD	1						00018
51	82100002850	LENS	1						
52	82166025550	BULB,LAMP	1		24V 45W				

TM-ZR300 31014010710A FRAME/STD,RADIO CONT.,NABI HOOK

Pos No.	Parts No	Parts Name	Qty	Unit	Technical Data	Serial No (Start)	Serial No (End)
1	31500511100	HARNESS	1				
2	82100002596	RELAY	1				
3	91810130240	FASTENER	6				
4	31360741200	HARNESS	1				
5	91850310305	CLAMP	2				
6	31360741300	LAMP ASSY	2				
7	90186206010	BOLT,FLANGE	8		M6X10		
8	31361112100	COVER ASSY	1				
9	31361311100	HARNESS	1				
10	31655571400	SWITCH ASSY (GREEN:PANASONIC)	1				
	31655571100	SWITCH ASSY (PLATING:NACC)	1				
11	82197600101	CAP (BLACK)	1				
12	31655571200	CONNECTOR	2				
13	31474661600	PLUG (2-POES,MALE)	2				
31	82199444326	LAMP (YELLOW) <24V 12W)	2				
32	31360741310	SUPPORT	2				
41	31361112110	COVER	1				
42	31361112120	PLATE	1				
43	31361112130	SEAL	1				
56	82166136411	BULB,LAMP	2		24V/12W		

TM-ZR300 31014010710A FRAME/STD,RADIO CONT.,NABI HOOK

Pos No.	Parts No	Parts Name	Qty	Unit	Technical Data	Serial No (Start)	Serial No (End)
1	31500823101	HARNESS	1				
3	31654031200	COVER	1				
4	31500500400	PLATE,NAME	1				
5	90186206010	BOLT,FLANGE	8		M6X10		
6	31500523600	COVER	1				
7	91810130240	FASTENER	32				
8	91850310405	CLAMP (BLACK)	4				
9	31500623400	SUPPORT	1				
10	31500623500	COVER	1				
11	90186208020	BOLT,FLANGE	3		M8X20		
13	82100002596	RELAY	1				
14	90280200600	NUT,FLANGE	3		M6		
15	31476361200	HARNESS (WHITE)	1		L=2000		
16	82100000192	TERMINAL	1				
17	82100000182	INSULATOR	1				
18	82108501090	SWITCH	2				
19	31360204310	SUPPORT	2				
20	90101206008	BOLT	4		M6X8		
21	90302040601	WASHER,SPRING	4		6		
22	91850310305	CLAMP	9				
23	82108501070	SWITCH	1				
24	31477332101	SUPPORT	1				
25	90186208014	BOLT,FLANGE	2		M8X14		
26	31652160100	HARNESS	1		L=1400		
29	31500691201	HARNESS	1				
31	31500623900	HARNESS	1				
32	82114102010	CONNECTOR (1P FEMALE,HOUSING)	1				
33	82121102160	HOLDER	1				
34	31500823200	HARNESS	1				
35	82161201010	RELAY	1				
49	82100000638	DIODE	1				
51	31500623300	SUPPORT	1				
52	82197600103	CAP (RED)	1				
53	42950544200	SWITCH ASSY (SILVER:PANASONIC)	1				
	31500623800	SWITCH ASSY (PLANTING:NACC)	1				
54	31651762400	COVER	1				
55	80192486010	SCREW,MACHINE	1		M6X10		

TM-ZR300 31014010710A FRAME/STD,RADIO CONT.,NABI HOOK

Pos No.	Parts No	Parts Name	Qty	Unit	Technical Data	Serial No (Start)	Serial No (End)	R
1	(*****)	ELEC.ASSY (24V-45W LAMP/BOOM)	1					

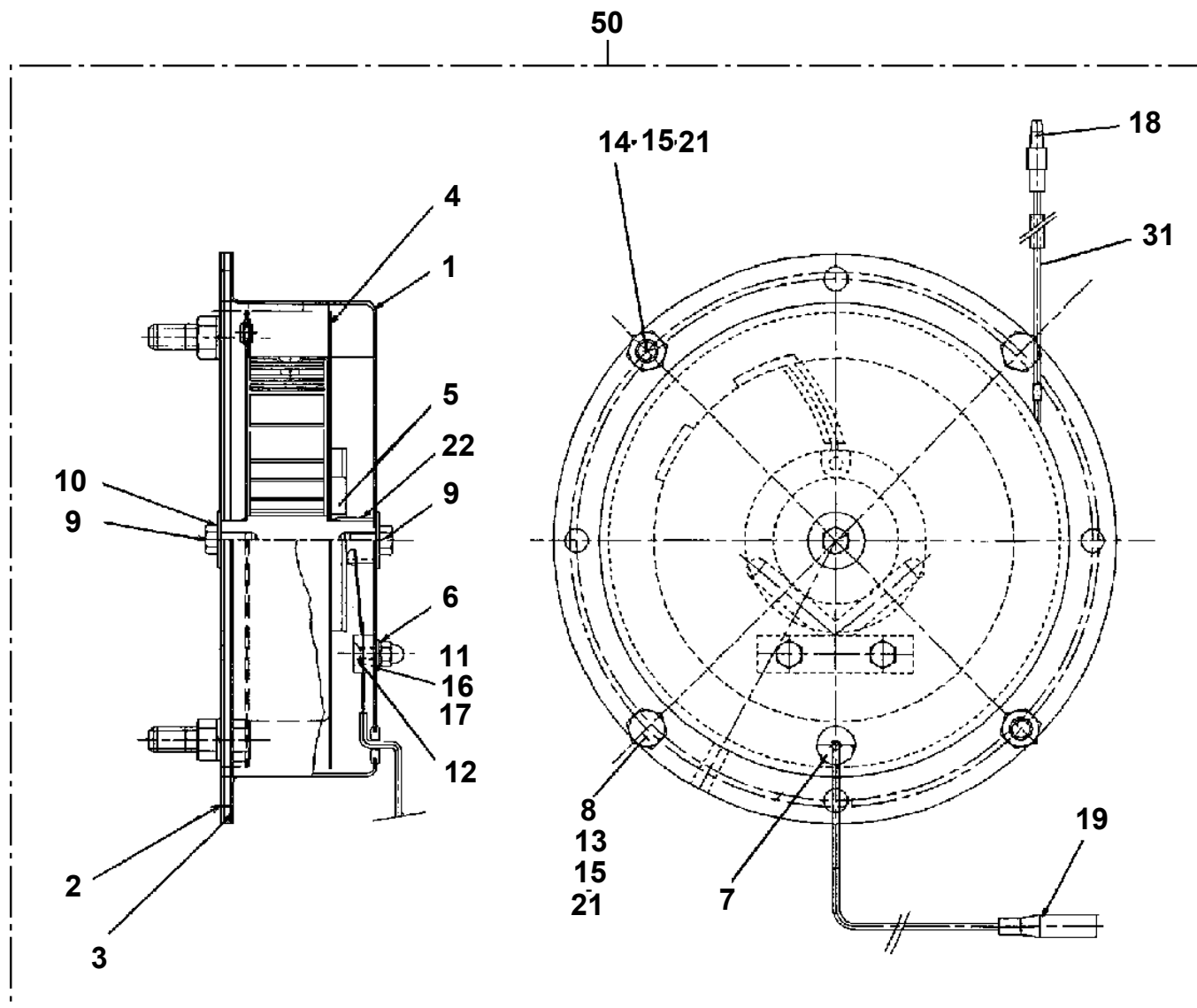
TM-ZR300 31014010710A FRAME/STD,RADIO CONT.,NABI HOOK

Pos No.	Parts No	Parts Name	Qty	Unit	Technical Data	Serial No (Start)	Serial No (E
1	(***** *****)	ELEC.ASSY (24V45W LAMP/MOUNT,BOOM)	1				
2	(***** *****)	ELEC.ASSY (LAMP,LOWER/FRAME)	1				

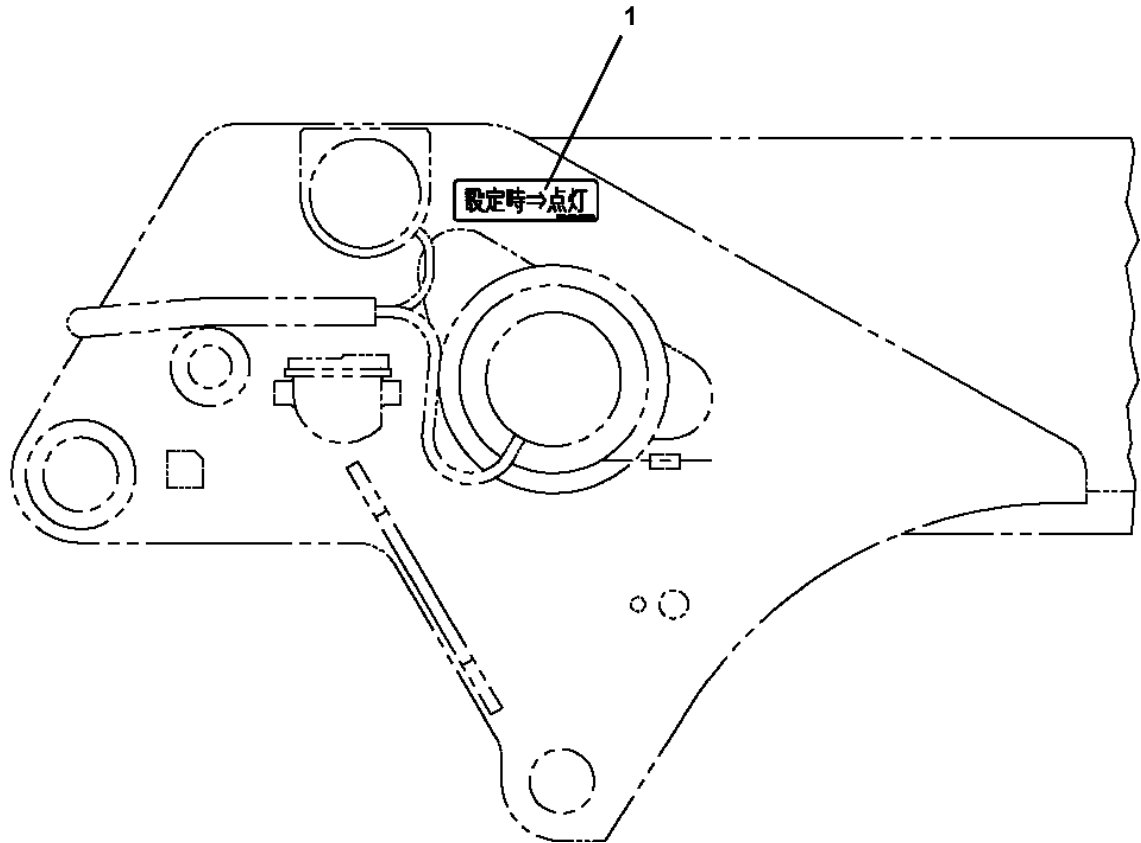
TM-ZR300 31014010710A FRAME/STD,RADIO CONT.,NABI HOOK

Pos No.	Parts No	Parts Name	Qty	Unit	Technical Data	Serial No (Start)	Serial No (End)
1	82105410110	SWITCH,TOGGLE	2				
2	82101429241	SWITCH,PUSH (GREEN)	2				
10	31653224300	SWITCH ASSY (GREEN:PANASONIC)	1				

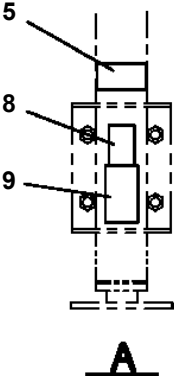
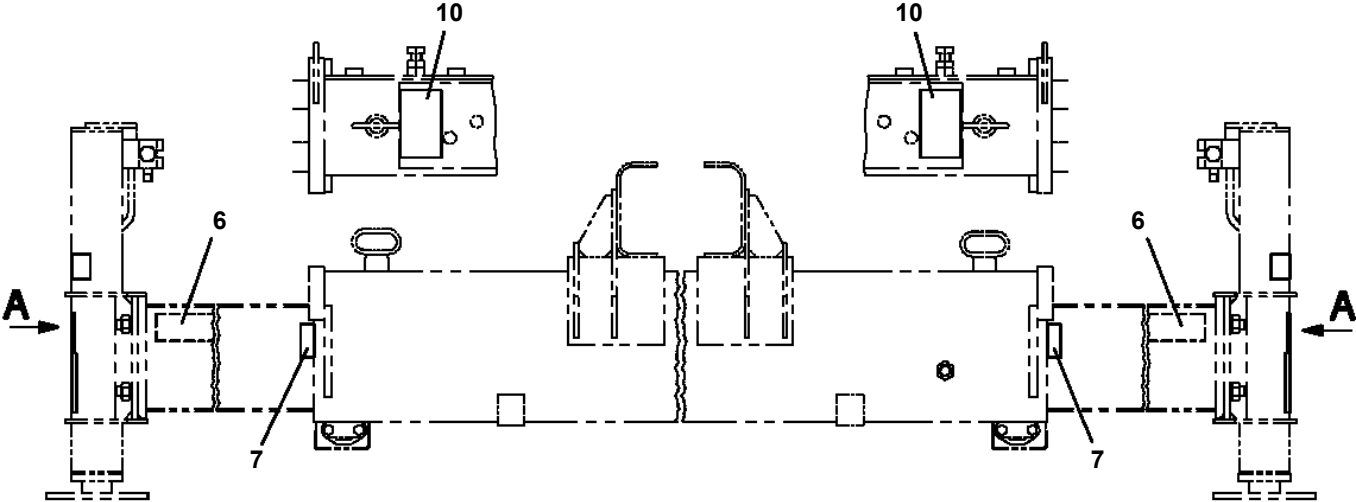
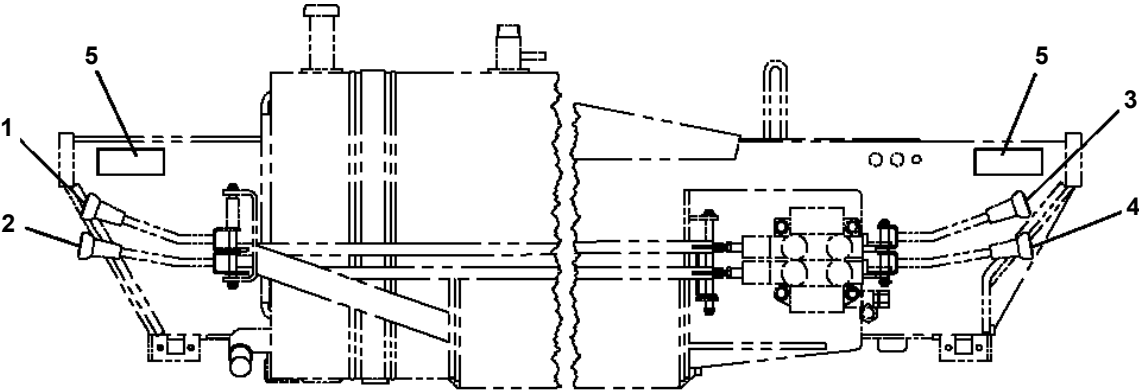
TM-ZR300 31014010710A FRAME/STD,RADIO CONT.,NABI HOOK
PN1350041-00 REEL,CORD



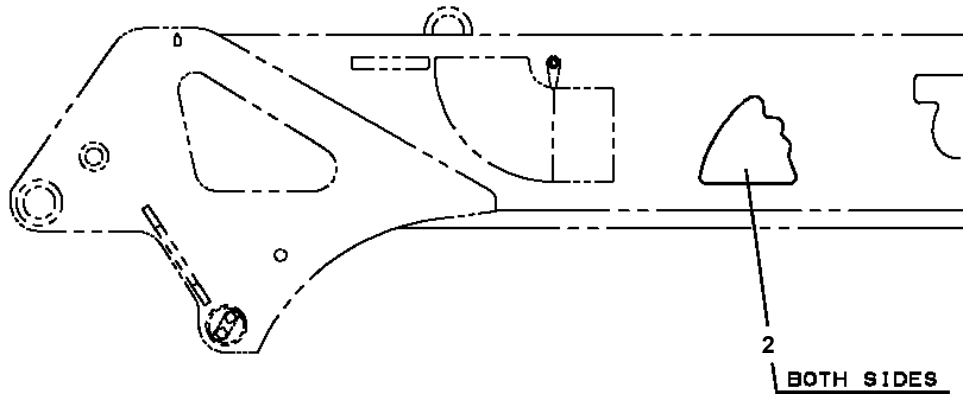
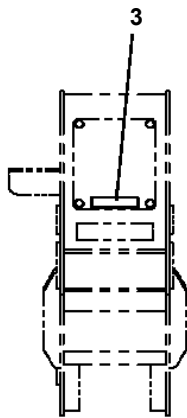
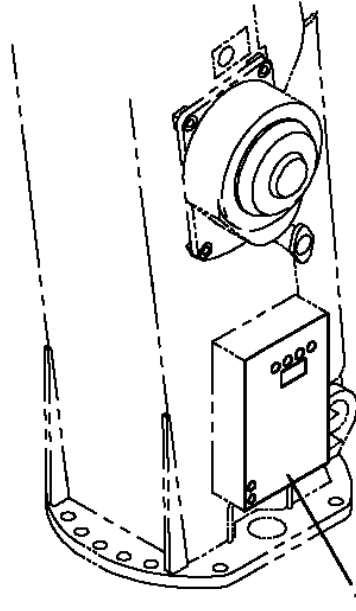
TM-ZR300 31014010710A FRAME/STD,RADIO CONT.,NABI HOOK
PN5010239-00 NAME PLATE ASSY



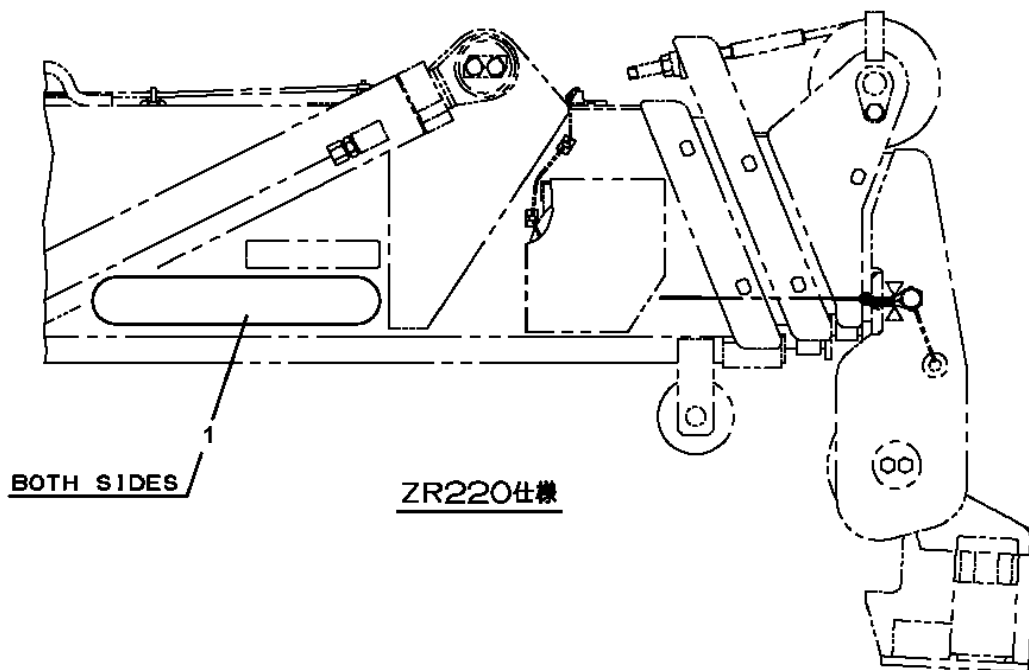
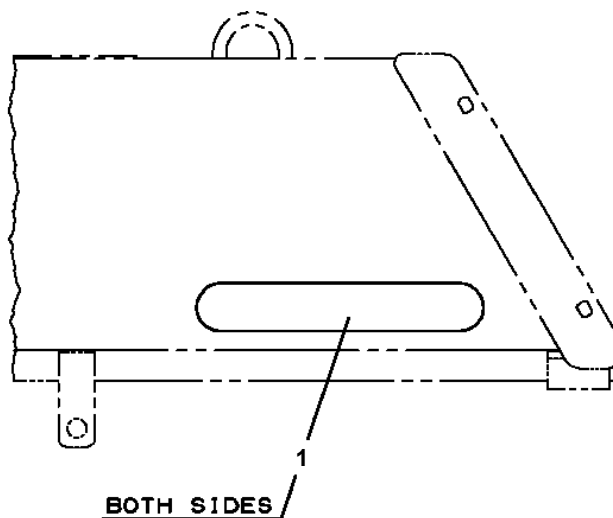
TM-ZR300 31014010710A FRAME/STD,RADIO CONT.,NABI HOOK
PO1012995-02 PLATE ASSY,NAME (NOT ROTARY R/J OPE.)



TM-ZR300 31014010710A FRAME/STD,RADIO CONT.,NABI HOOK
PO1013611-00 PLATE ASSY,NAME (BML)



TM-ZR300 31014010710A FRAME/STD,RADIO CONT.,NABI HOOK
PO1014592-03 PLATE ASSY,NAME

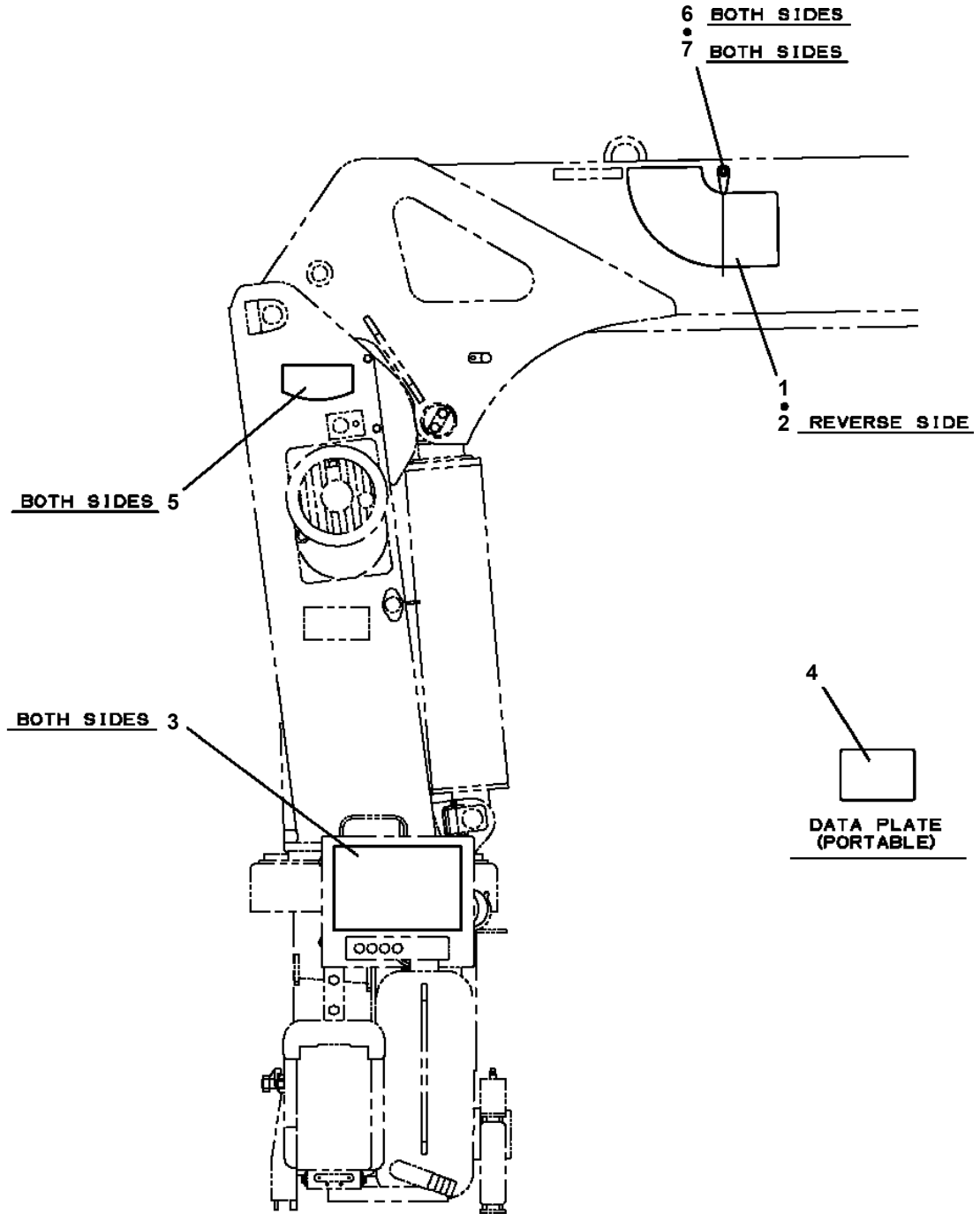


1材プレート、ネーム貼付位置は参考です

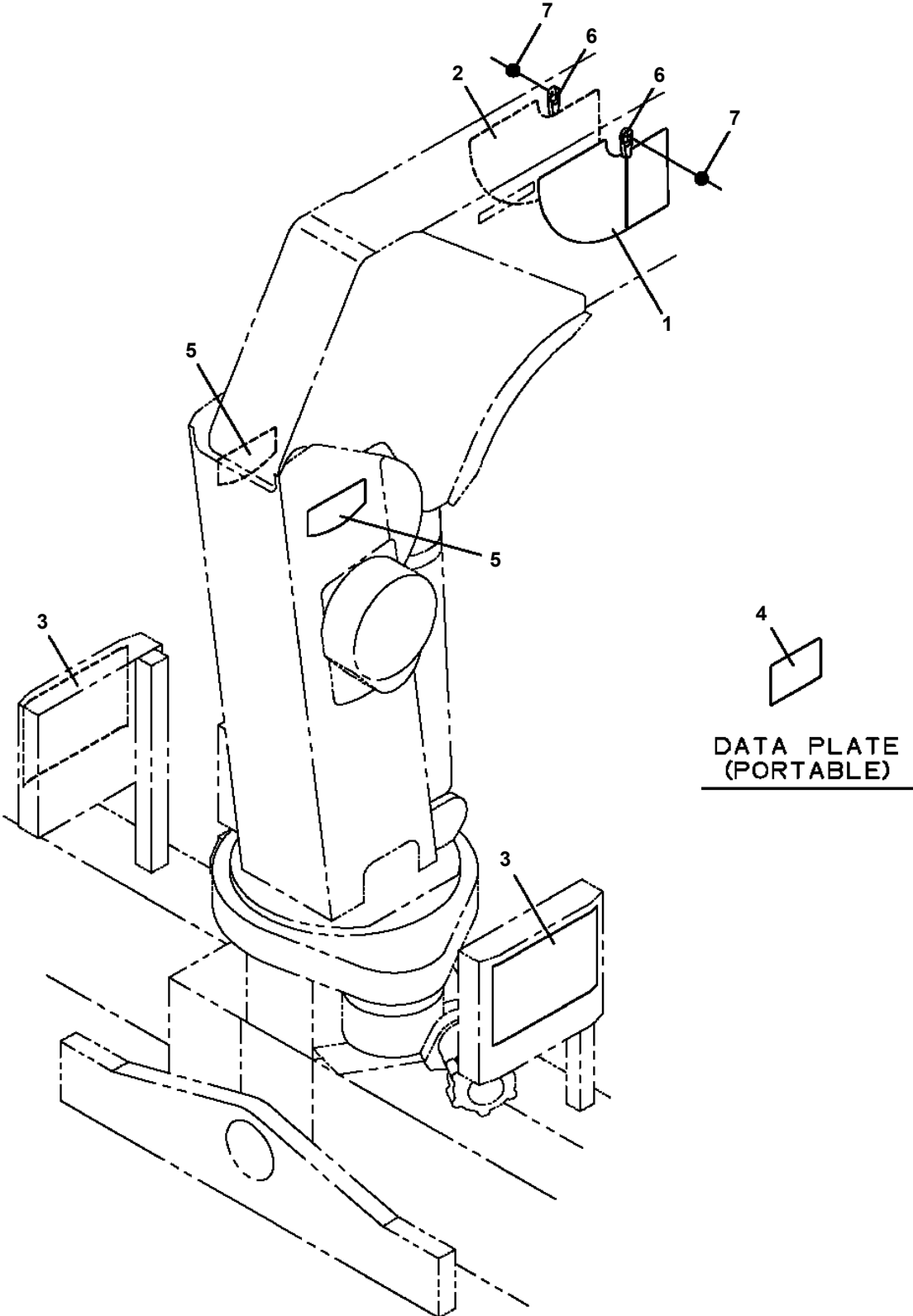
ブーム段数参考

THE BOOM SECTIONS IN THE ILLUSTRATION ARE FOR REFERENCE.

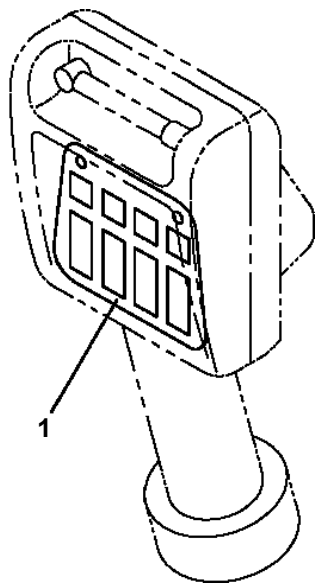
**TM-ZR300 31014010710A FRAME/STD,RADIO CONT.,NABI HOOK
PO1070342-00 PERFORMANCE DATA (ZR303/C)**



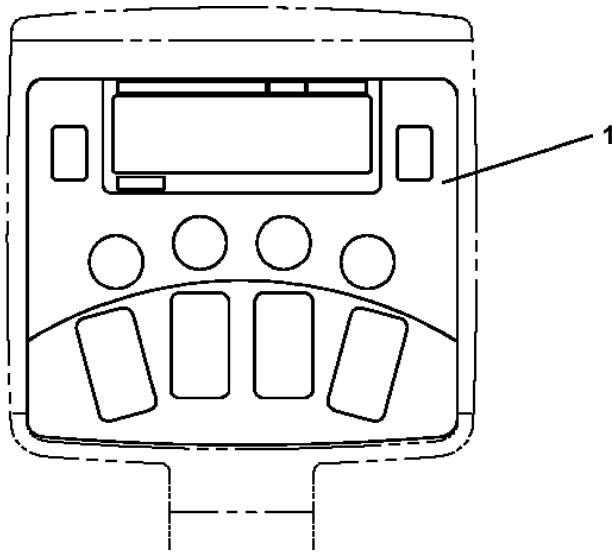
**TM-ZR300 31014010710A FRAME/STD,RADIO CONT.,NABI HOOK
PO1070561-00 PERFORMANCE DATA (ZR303/C)**



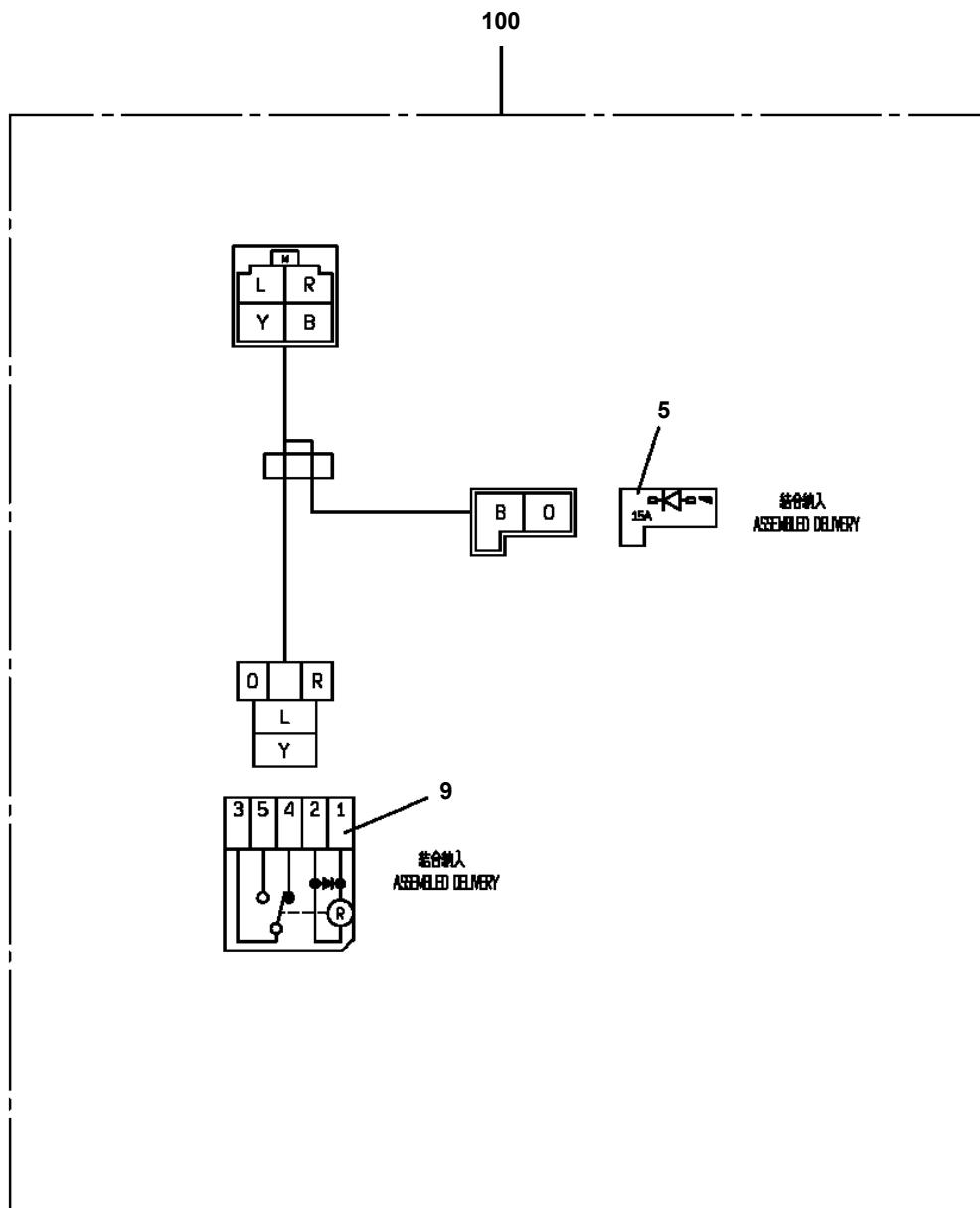
TM-ZR300 31014010710A FRAME/STD,RADIO CONT.,NABI HOOK
PO1080011-00 PLATE,NAME



TM-ZR300 31014010710A FRAME/STD,RADIO CONT.,NABI HOOK
PO1080026-00 PLATE,NAME

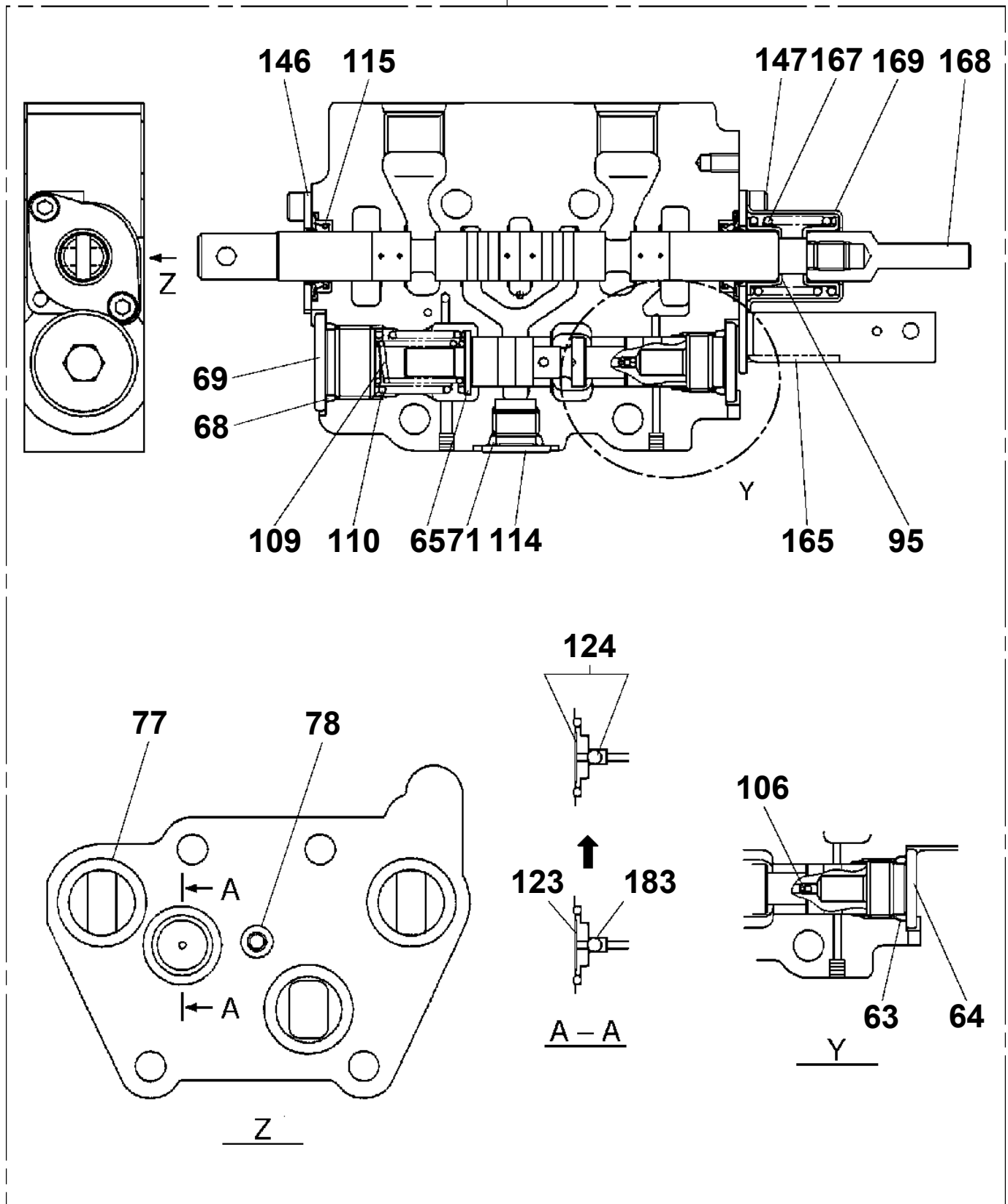


TM-ZR300 31014010710A FRAME/STD,RADIO CONT.,NABI HOOK
PR5210001-00 RELAY (WITH HARNESS)

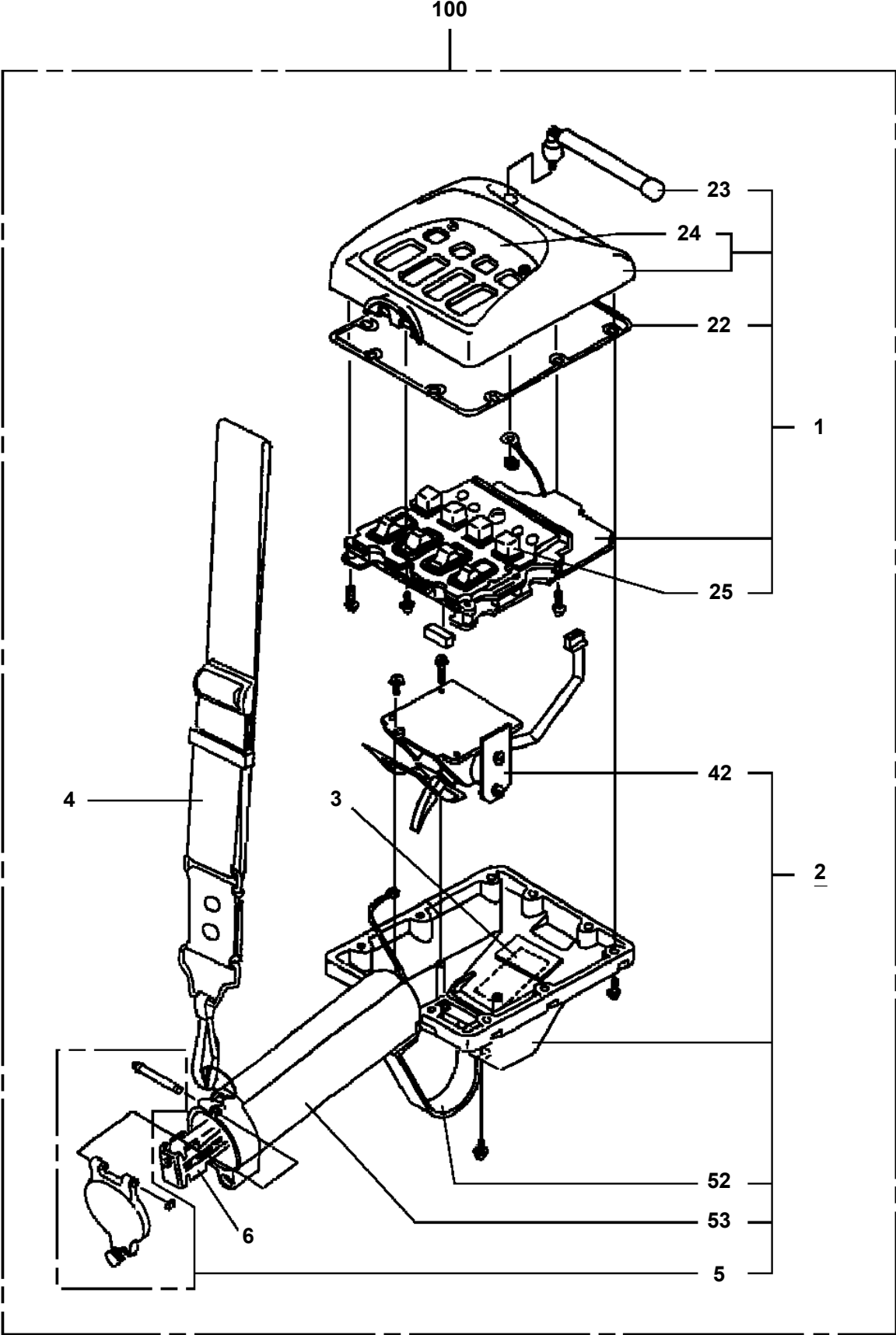


TM-ZR300 31014010710A FRAME/STD,RADIO CONT.,NABI HOOK
PV1020283-01 VALVE,REMOTE CONTROL

9



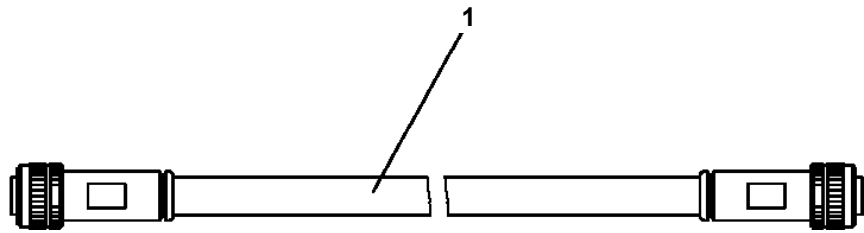
TM-ZR300 31014010710A FRAME/STD,RADIO CONT.,NABI HOOK
PV1030086-00 SWITCH BOX (FUTABA)



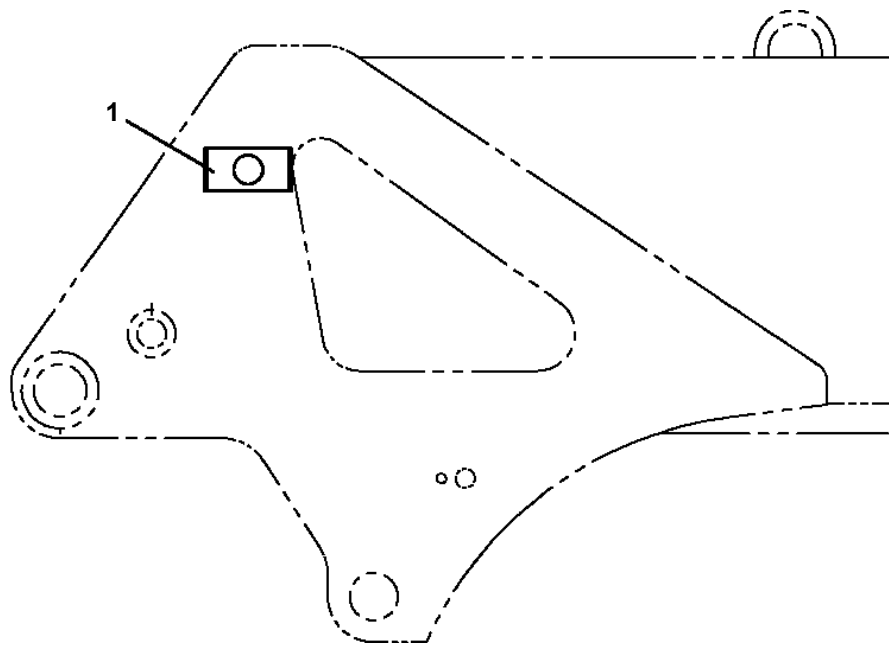
TM-ZR300 31014010710A FRAME/STD,RADIO CONT.,NABI HOOK
 PV1070042-00 RADIO CONTROL

2	ストーイング ホックス STOWING BOX
3	チャージャ, バッテリー CHARGER, BATTERY
4	プレート, ネーム PLATE, NAME
6	マウント, アンテナ MOUNT, ANTENNA
10	プレート, ネーム PLATE, NAME
21	コントロール ホックス CONTROL BOX
22	アンテナ ANTENNA
23	スイッチ ホックス SWITCH BOX
31	ハイセンASSY ELEC. ASSY
32	ハイセンASSY ELEC. ASSY
34	ディテクタ, エリア DETECTOR, AREA
35	インジケータ, アウトリガ INDICATOR, OUTRIGGER
36	ディテクタ, ロード DETECTOR, LOAD
37	プレートASSY, ネーム PLATE ASSY, NAME

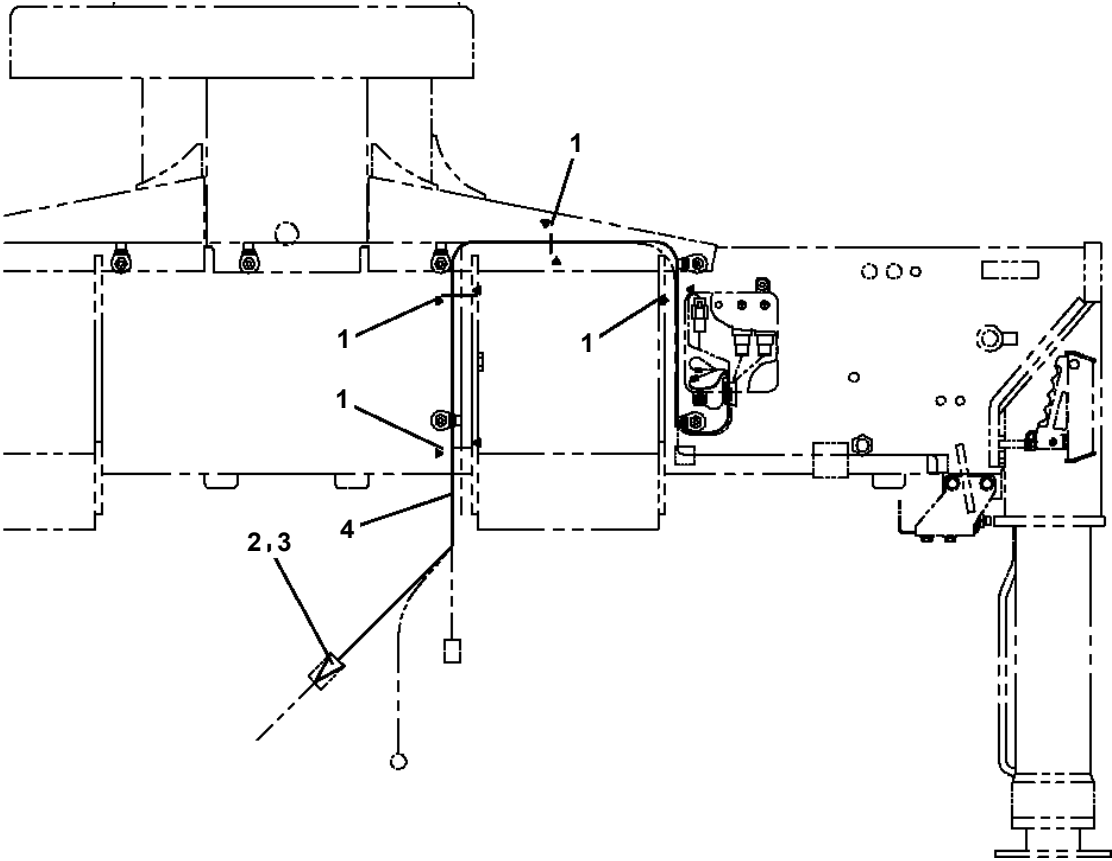
**TM-ZR300 31014010710A FRAME/STD,RADIO CONT.,NABI HOOK
PV1300011-02 CABLE (ANTENNA 2M)**



TM-ZR300 31014010710A FRAME/STD,RADIO CONT.,NABI HOOK
PX1940160-00 MOUNT (SUPPORT)



TM-ZR300 31014010710A FRAME/STD,RADIO CONT.,NABI HOOK
PY1560019-00 ALARM SYSTEM (BOOM HARNESS)



CLICK HERE TO **DOWNLOAD** THE COMPLETE MANUAL

- Thank you very much for reading the preview of the manual.
- You can download the complete manual from: www.heydownloads.com by clicking the link below



- Please note: If there is no response to CLICKING the link, please download this PDF first and then click on it.

CLICK HERE TO **DOWNLOAD** THE COMPLETE MANUAL