

TM-ZR300 31014010720A FRAME/STD,RADIO CONT.,NABI HOOK
PB000024-02 SYSTEM (ZR300,DOMESTIC)
ASSEMBLY

CLICK HERE TO **DOWNLOAD** THE COMPLETE MANUAL

- Thank you very much for reading the preview of the manual.
- You can download the complete manual from: www.heydownloads.com by clicking the link below



- Please note: If there is no response to CLICKING the link, please download this PDF first and then click on it.

CLICK HERE TO **DOWNLOAD** THE COMPLETE MANUAL

TM-ZR300 31014010720A FRAME/STD,RADIO CONT.,NABI HOOK

Pos No.	Parts No	Parts Name	Qty	Unit	Technical Data	Serial No (Start)	Serial No (End)
1	36652730000	PUMP,HYDRAULIC (LEFT,SPLINE 13)	1				

TM-ZR300 31014010720A FRAME/STD,RADIO CONT.,NABI HOOK

Pos No.	Parts No	Parts Name	Qty	Unit	Technical Data	Serial No (Start)	Serial No (End)	Remarks	Pages
1	36400805010	CASE	1						
2	36400805020	GEAR	1						
3	36400775010	SHAFT	1						
4	36400765040	SLEEVE	1						
5	36400095101	SHIFTER ASSY	1						
6	36400095110	PACKING	1						
7	80500006006	BEARING,BALL	1						
8	36400765050	BEARING,NEEDLE	1						
9	36400765060	BEARING	1						
10	36400765070	BEARING	1						
11	91206030005	SEAL,OIL	1						
12	36400095070	COVER (BEARING)	1						
13	36400095080	PACKING (COVER)	1						
14	36400095090	SHIM	N						
15	90191208014	BOLT	3		M8X14				
16	90302040801	WASHER,SPRING	7		8				
17	90191208020	BOLT	4		M8X20				
18	90193512090	BOLT	2						
19	90302041201	WASHER,SPRING	6		12				
20	36400785020	BOLT,STUD	2						
21	90264201200	NUT	2		M12				
22	90193512035	BOLT	2		M12X35				
23	36400435090	PACKING (CASE)	1						
24	36400805030	PLATE,NAME	1						
26	31790750100	SUPPORT	1						
50	36400810000	POWER TAKE OFF	1						
100	31790750000	POWER TAKE OFF	1						

TM-ZR300 31014010720A FRAME/STD,RADIO CONT.,NABI HOOK

Pos No.	Parts No	Parts Name	Qty	Unit	Technical Data	Serial No (Start)	Serial No (End)	Remarks	Pa
1	36401025010	CASE	1						
2	36401025020	GEAR	1						
3	36400845030	SHAFT	1						
4	36401025030	GEAR	1						
5	36400395050	SHAFT	1						
6	36400095100	SHIFTER ASSY	1						
7	36400095110	PACKING	1						
8	36400095070	COVER (BEARING)	1						
9	36400095080	PACKING (COVER)	1						
10	36400095090	SHIM	1						
11	36400675030	COLLAR	1						
12	80500006206	BEARING,BALL	2						
13	36401025050	BEARING	2						
14	91206030005	SEAL,OIL	1						
15	80602110470	RING,RITAINING	2		R47				
16	36400095130	WASHER	1						
17	90101206015	BOLT	1		M6X15				
18	90191208020	BOLT	4		M8X20				
19	90191208014	BOLT	3		M8X14				
20	90302040801	WASHER,SPRING	7		8				
21	36401025060	PLUG	1						
22	36401025070	WASHER,PLAIN	1						
24	36401025090	PLATE,NAME	1						
25	36401025100	PACKING	1						
26	36400095150	BOLT,STUD	6		M10X1.25/1.5X43				
27	90267201000	NUT	6		M10				
28	90302041001	WASHER,SPRING	6		10				
29	31790770100	SUPPORT	1						
30	90191208025	BOLT	2		M8X25				
31	36401025120	NUT (REINFORCER)	1						
50	36401020000	POWER TAKE OFF	1						
100	31790810000	POWER TAKE OFF	1						

TM-ZR300 31014010720A FRAME/STD,RADIO CONT.,NABI HOOK

Pos No.	Parts No	Parts Name	Qty	Unit	Technical Data	Serial No (Start)	Serial No (End)	Remarks	Pages
1	36401055010	CASE	1						
2	36401055020	GEAR	1						
3	36401055030	SHAFT	1						
4	36401055040	GEAR	1						
5	36400395050	SHAFT	1						
6	36400095100	SHIFTER ASSY	1						
7	36400095110	PACKING	1						
8	36400095070	COVER (BEARING)	1						
9	36400095080	PACKING (COVER)	1						
10	36400095090	SHIM	1						
11	36400675030	COLLAR	1						
12	80500006206	BEARING,BALL	2						
13	36400675050	BEARING	2						
14	80602110520	RING,RITAINING	2		R52				
15	91206030005	SEAL,OIL	1						
16	90191206015	BOLT	1		M6				
17	36400095130	WASHER	1						
18	90191208014	BOLT	3		M8X14				
19	90191208020	BOLT	4		M8X20				
20	90302040801	WASHER,SPRING	7		8				
21	36400915060	PACKING	1						
22	36400435120	BOLT,STUD	6						
23	90267401200	NUT	6						
24	90302041201	WASHER,SPRING	6		12				
27	31790830100	SUPPORT	1						
50	36401050000	POWER TAKE OFF	1						
100	31790830000	POWER TAKE OFF	1						

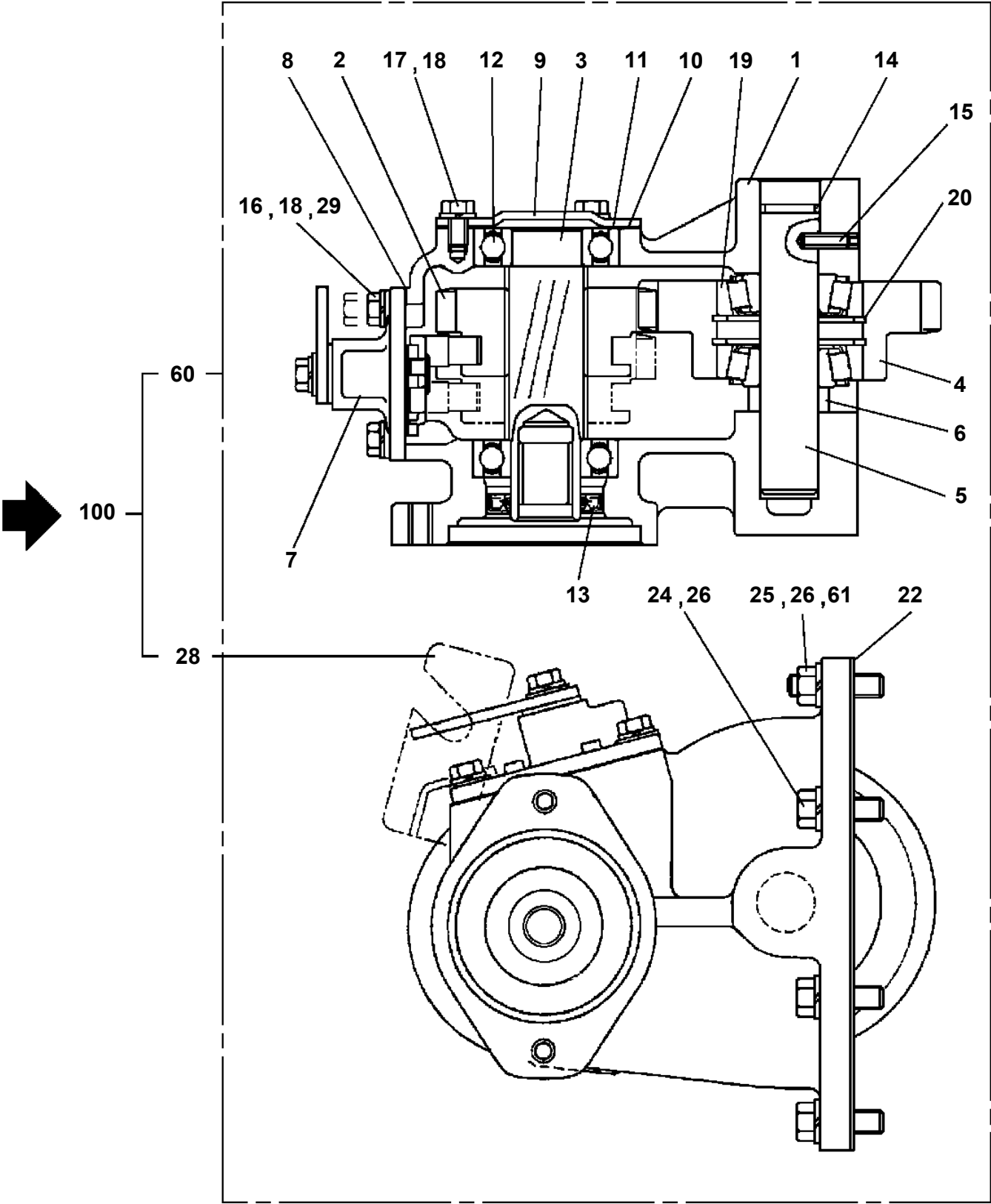
TM-ZR300 31014010720A FRAME/STD,RADIO CONT.,NABI HOOK

Pos No.	Parts No	Parts Name	Qty	Unit	Technical Data	Serial No (Start)	Serial No (End)	Remarks	Page
1	36401365010	CASE	1						
2	36401365020	GEAR	1						
3	36400895030	SHAFT	1						
4	36400095040	SHAFT	1						
5	36400095050	COLLAR	1						
6	36401365030	GEAR	1						
7	36400095070	COVER (BEARING)	1						
8	36400095080	PACKING (COVER)	1						
9	36400095090	SHIM	1						
10	36400095100	SHIFTER ASSY	1						
11	36400095110	PACKING	1						
12	80500006206	BEARING,BALL	2						
13	36400095120	BEARING	2						
14	80602110520	RING,RITAINING	2		R52				
15	91206030005	SEAL,OIL	1						
16	90101206012	BOLT	1		M6X12				
17	36400095130	WASHER	1						
18	90191208020	BOLT	4		M8X20				
19	90191208014	BOLT	3		M8X14				
20	90302040801	WASHER,SPRING	7		8				
21	36400335030	SHIM	1						
22	90191210030	BOLT	4		M10X30				
23	36400095150	BOLT,STUD	4		M10X1.25/1.5X43				
24	90267201000	NUT	4		M10				
25	90302041001	WASHER,SPRING	8		10				
27	31790680100	SUPPORT	1						
28	90191208025	BOLT	2		M8X25				
50	36401360000	POWER TAKE OFF	1						
100	31790940000	POWER TAKE OFF	1						

TM-ZR300 31014010720A FRAME/STD,RADIO CONT.,NABI HOOK

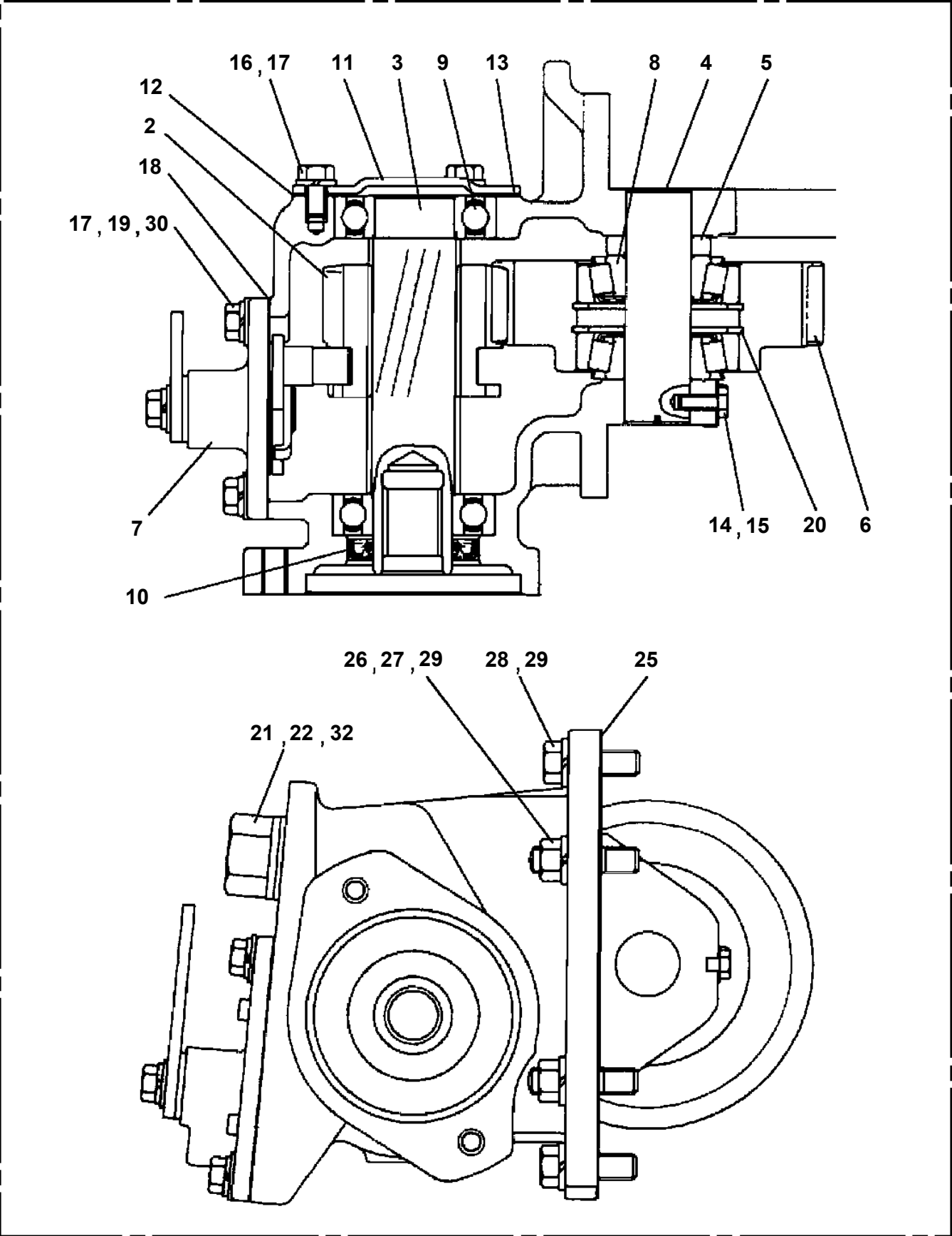
Pos No.	Parts No	Parts Name	Qty	Unit	Technical Data	Serial No (Start)	Serial No (End)	Remarks	Pages
1	36401545010	CASE	1						
2	36401545020	GEAR (TO)	1						
3	36401545030	SHAFT (TO)	1						
4	36400095040	SHAFT	1						
5	36400095050	COLLAR	1						
6	36401545080	GEAR	1						
7	36400095070	COVER (BEARING)	1						
8	36400095080	PACKING (COVER)	1						
9	36400095090	SHIM	N						
10	36400095100	SHIFTER ASSY	1						
11	36400095110	PACKING	1						
12	80500006206	BEARING,BALL	2						
13	36400095120	BEARING	2						
14	80602110520	RING,RITAINING	2		R52				
15	91206030005	SEAL,OIL	1						
16	90101206012	BOLT	1		M6X12				
17	36400095130	WASHER	1						
18	90191208020	BOLT	4		M8X20				
19	90191208014	BOLT	3		M8X14				
20	90302040801	WASHER,SPRING	7		8				
21	36401545040	SPACER	1						
22	36401545050	PACKING	2						
23	90191210035	BOLT	4		M10X35				
24	36401545060	BOLT	4						
25	90267201000	NUT	4		M10				
26	90302041001	WASHER,SPRING	8		10				
28	31790680100	SUPPORT	1						
29	90191208025	BOLT	2		M8X25				
50	36401540000	POWER TAKE OFF	1						
100	31792040000	POWER TAKE OFF	1						

**TM-ZR300 31014010720A FRAME/STD,RADIO CONT.,NABI HOOK
PB1030208-01 POWER TAKE OFF**

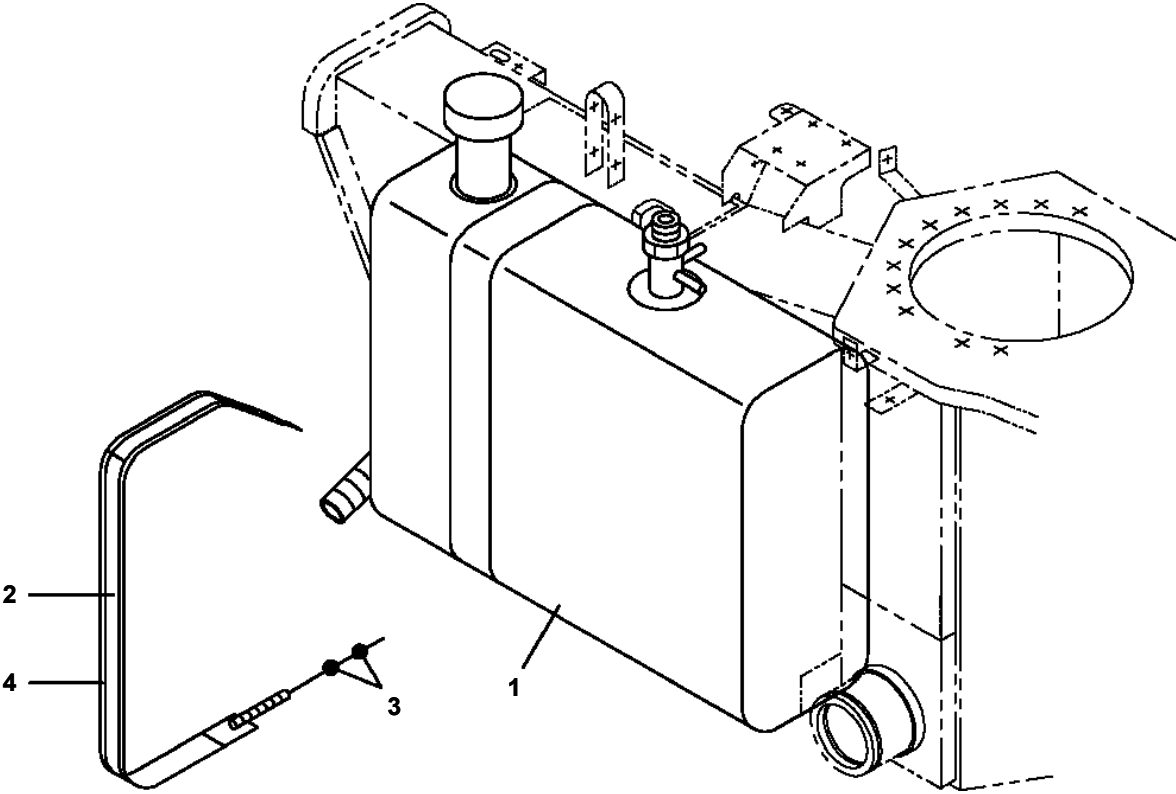


TM-ZR300 31014010720A FRAME/STD,RADIO CONT.,NABI HOOK
PB1030237-00 POWER TAKE OFF

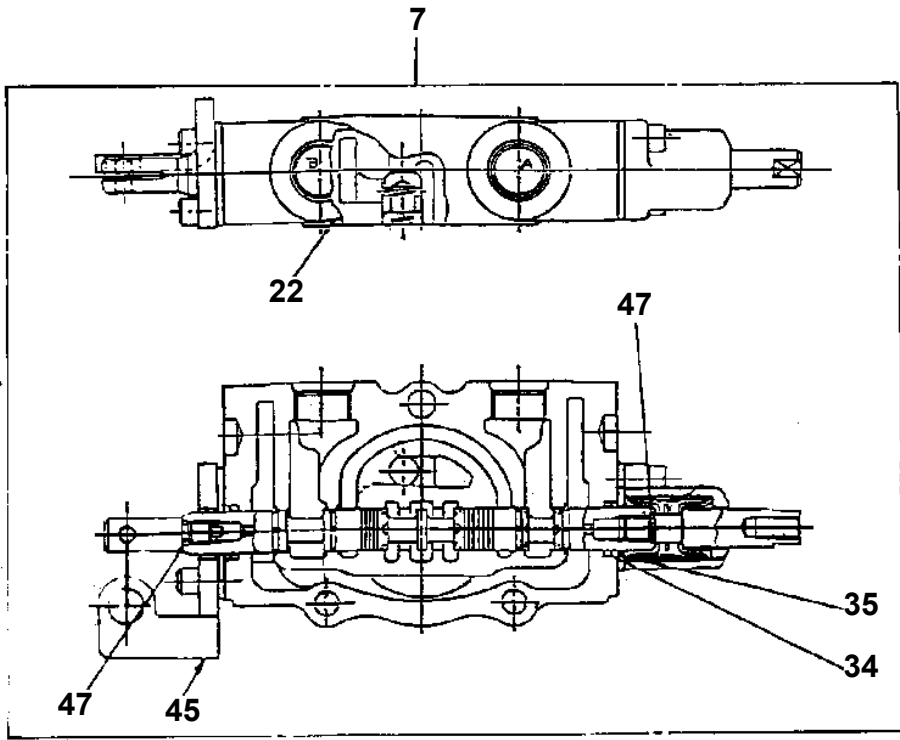
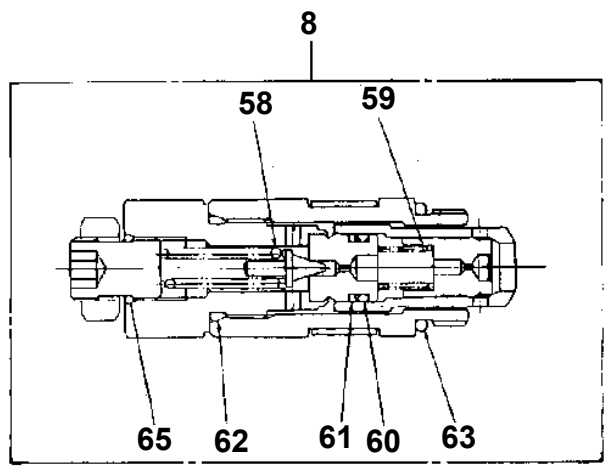
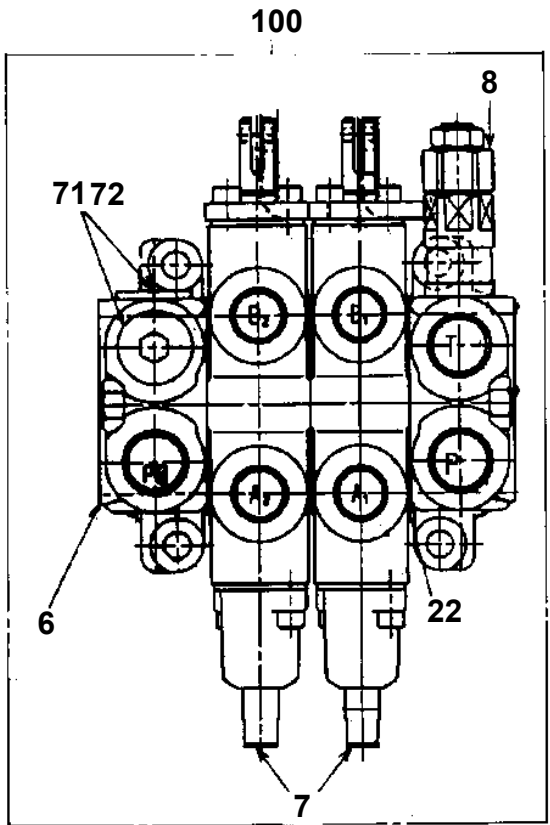
100



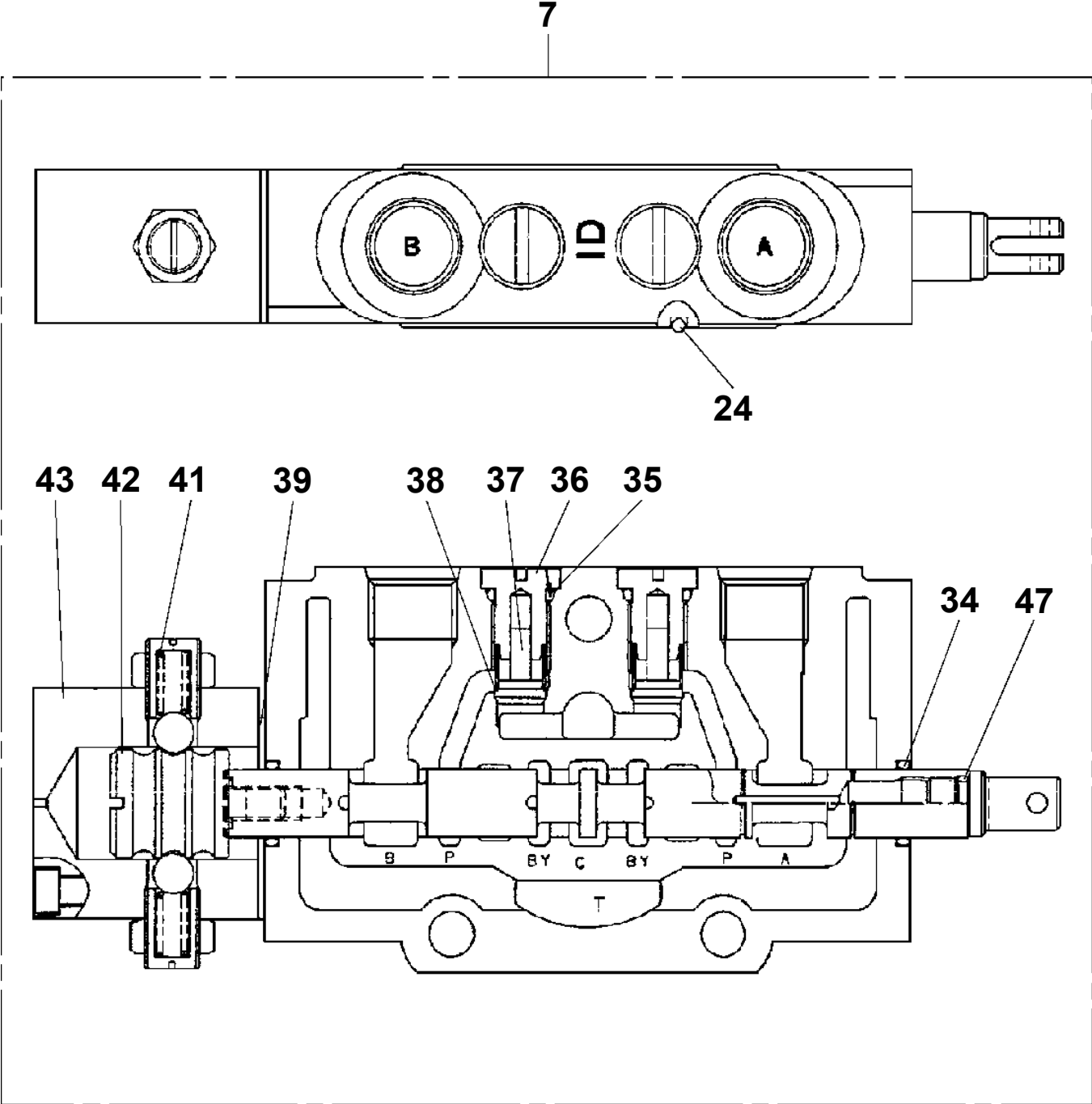
TM-ZR300 31014010720A FRAME/STD,RADIO CONT.,NABI HOOK
PB1130196-02 TANK,OIL (MOUNT)



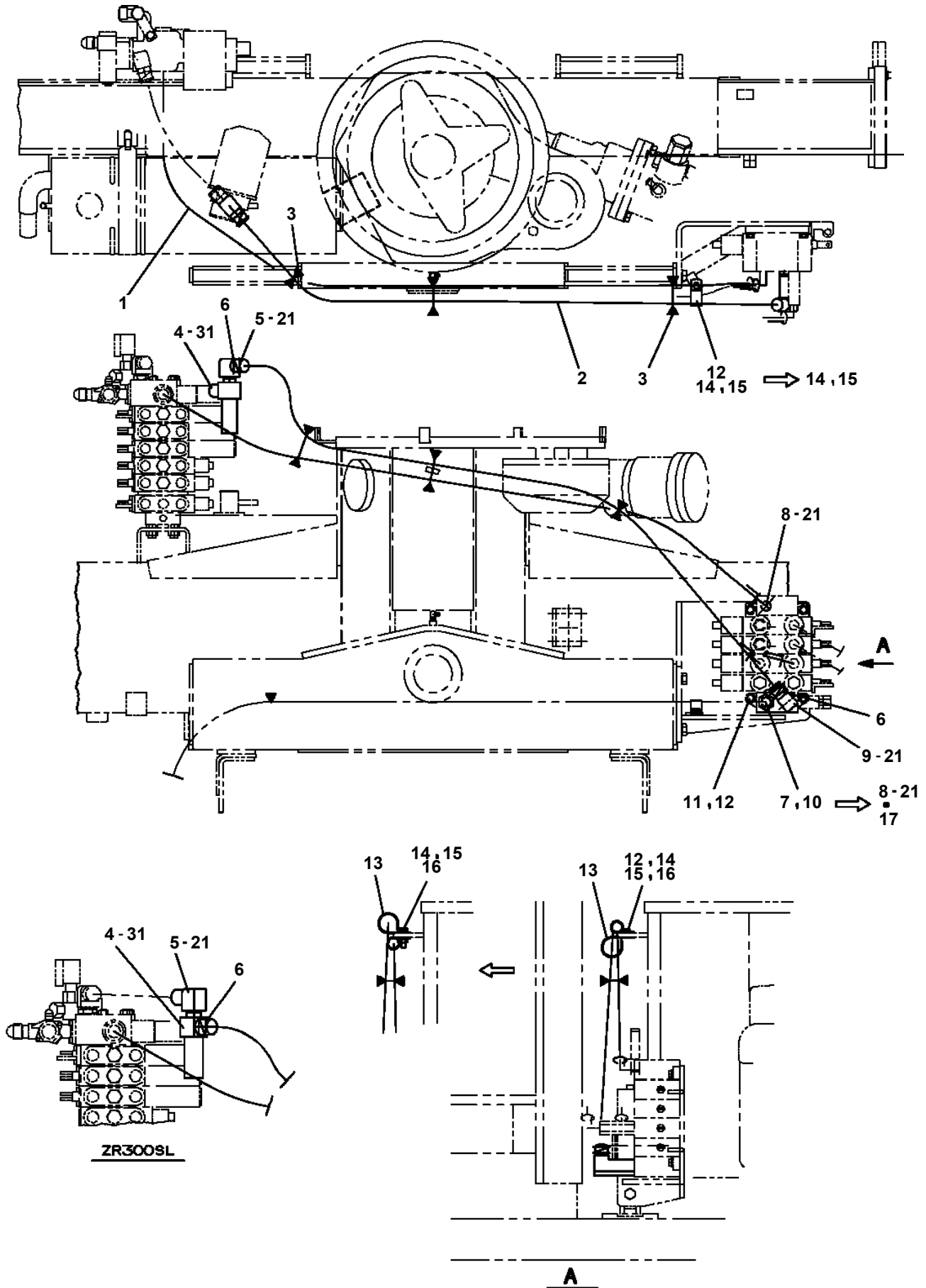
TM-ZR300 31014010720A FRAME/STD,RADIO CONT.,NABI HOOK
PB1320258-01 VALVE,MANUAL CONTROL (REAR OUTRIGGER)



TM-ZR300 31014010720A FRAME/STD,RADIO CONT.,NABI HOOK
PB1320517-00 VALVE,MANUAL CONTROL (DUMP)



**TM-ZR300 31014010720A FRAME/STD,RADIO CONT.,NABI HOOK
PB1410978-02 PIPING,LOWER (MAIN--R/J VALVE)**



TM-ZR300 31014010720A FRAME/STD,RADIO CONT.,NABI HOOK

Pos No.	Parts No	Parts Name	Qty	Unit	Technical Data	Serial No (Start)	Serial No (End)	Remarks	Pages
1	36646380001	VALVE,SOLENOID	1						00012
2	90101208035	BOLT	2		M8X35				
3	90302040801	WASHER,SPRING	2		8				
4	37000805590	FITTING,FLANGE	1						
5	80302090101	FITTING	4		KCO10-020N				
6	91002801100	O-RING	6		1B P11				
7	80302090121	FITTING	2		KCO10-030N				
8	91002801400	O-RING	2		1B P14				
9	81408000100	PIPE,STEEL	1	M	10X1.2T				
10	81408000100	PIPE,STEEL	1	M	10X1.2T				
11	81408000100	PIPE,STEEL	2	M	10X1.2T				
12	81408000100	PIPE,STEEL	1	M	10X1.2T				
13	37000924350	FITTING	2						
22	80316030020	PLUG	2		PT1/8				

TM-ZR300 31014010720A FRAME/STD,RADIO CONT.,NABI HOOK

Pos No.	Parts No	Parts Name	Qty	Unit	Technical Data	Serial No (Start)	Serial No (End)
1	31612561002	CASE,INNER	1				
2	(*****)	OPE.ASSY,OUTRIGGER	1				
3	(*****)	CYLINDER,JACK (4TON,WITHOUT FLOAT)	1				
4	80530000225	BEARING,BALL (KOYO)	2				KB7531
	31620582020	BEARING,BALL (KOYO)	2			KB7532	
5	80601110150	RING,RITAINING	2		15		
6	37000150360	PIN	1				
21	31621963200	SUPPORT	1				
26	31612569520	SUPPORT	1				
34	31621963101	SUPPORT	1				
41	31611300500	PLATE,NAME (WHITE)	2				
42	31611300600	PLATE,NAME (YELLOW)	2				

TM-ZR300 31014010720A FRAME/STD,RADIO CONT.,NABI HOOK

Pos No.	Parts No	Parts Name	Qty	Unit	Technical Data	Serial No (Start)	Serial No
1	31623660000	FRAME ASSY (R/O:WITHOUT LOCK ASSY)	1				
	31624970000	FRAME ASSY (R/O:WITH LOCK ASSY)	1				
3	(*****)	OPE.ASSY,CONT.VALVE	1				
4	(*****)	PLATE ASSY,NAME	1				
21	(*****)	PIPING,REAR JACK (1)	1				
22	36637730000	VALVE,MANUAL CONTROL (R/O,2-BLOCK)	1				
23	(*****)	PIPING,LOWER (MAIN--R/J VALVE)	1				

TM-ZR300 31014010720A FRAME/STD,RADIO CONT.,NABI HOOK

Pos No.	Parts No	Parts Name	Qty	Unit	Technical Data	Serial No (Start)	Se
1	91001101000	O-RING	2		1A P10		
2	90172110040	BOLT,HEXAGON SOCKET	2		M10X40		
3	36623930000	VALVE,PILOT CHECK	1				
4	90174110025	BOLT	2		M10X25		
5	31611230010	WASHER,PLAIN	2		10		
6	36033430000	CYLINDER,JACK (CAST)	1				
7	80491002020	JOINT (WITH O-RING)	2				
21	36031480100	CYLINDER	1				
24	91350208501	BEARING,PLAIN(PACKINGX2+BEARING,PLAINX1)	1				
25	36033920200	PISTON	1				
26	91002903500	O-RING	1		1B G35		
27	36031480301	ROD	1				
28	36032710200	COVER,ROD	1				
29	91002908000	O-RING	1		1B G80		
30	91694007001	PACKING	1				
31	91660007001	SEAL,DUST	1				
32	91410207001	RING,BACKUP	1				
41	36033929900	PACKING SET	1		70X85		
51	91002801100	O-RING	2		1B P11		

TM-ZR300 31014010720A FRAME/STD,RADIO CONT.,NABI HOOK

Pos No.	Parts No	Parts Name	Qty	Unit	Technical Data	Serial No (Start)	Se
1	36031480100	CYLINDER	1				
4	91350208501	BEARING,PLAIN(PACKINGX2+BEARING,PLAINX1)	1				
5	36033920200	PISTON	1				
6	91002903500	O-RING	1		1B G35		
7	36031480301	ROD	1				
8	36032710200	COVER,ROD	1				
9	91002908000	O-RING	1		1B G80		
10	91694007001	PACKING	1				
11	91660007001	SEAL,DUST	1				
12	91410207001	RING,BACKUP	1				
51	36033929900	PACKING SET	1		70X85		
100	36033430000	CYLINDER,JACK (CAST)	1				

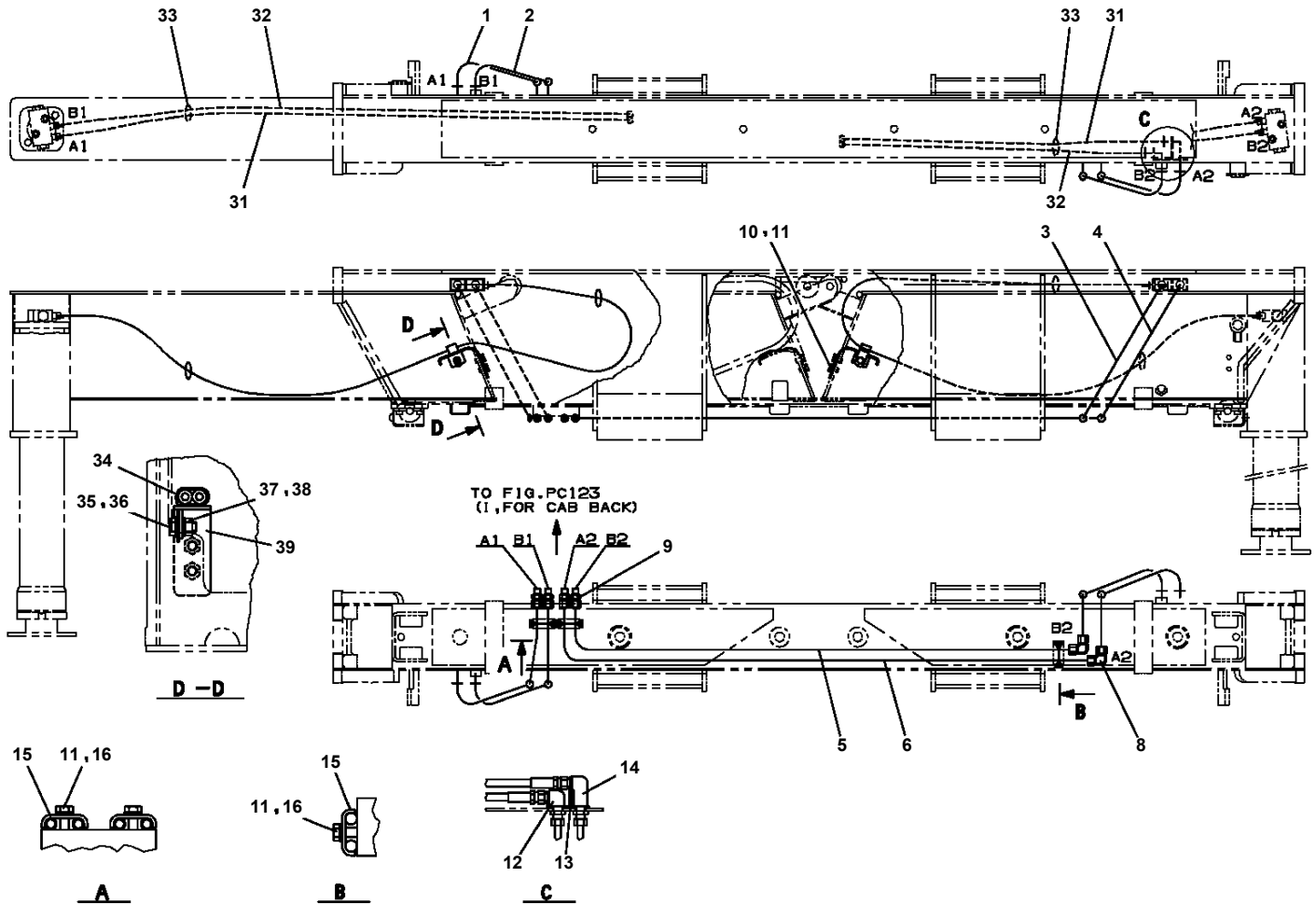
TM-ZR300 31014010720A FRAME/STD,RADIO CONT.,NABI HOOK

Pos No.	Parts No	Parts Name	Qty	Unit	Technical Data	Serial No (Start)	Se
1	36032490100	CYLINDER	1				
2	91350208501	BEARING,PLAIN(PACKINGX2+BEARING,PLAINX1)	1				
3	36033920200	PISTON	1				
4	91002903500	O-RING	1		1B G35		
5	36036091000	ROD	1				
6	36032710200	COVER,ROD	1				
7	91002908000	O-RING	1		1B G80		
8	91694007001	PACKING	1				
9	91410207001	RING,BACKUP	1				
10	91660007001	SEAL,DUST	1				
30	36033929900	PACKING SET	1		70X85		
50	36036090000	CYLINDER,JACK (WELDMENT)	1				

TM-ZR300 31014010720A FRAME/STD,RADIO CONT.,NABI HOOK

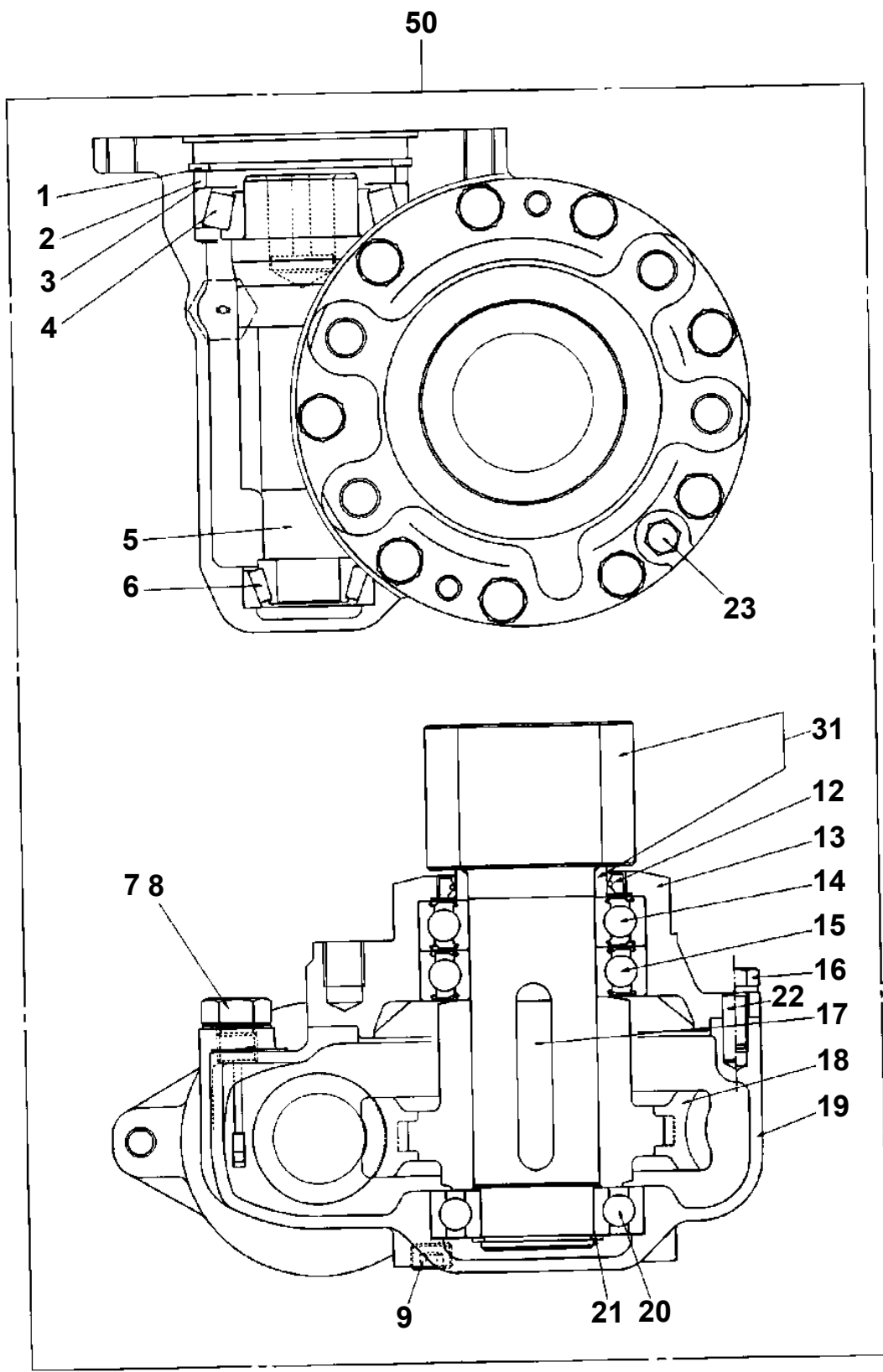
Pos No.	Parts No	Parts Name	Qty	Unit	Technical Data	Serial No (Start)	Serial No (End)
2	31330920700	PLATE	1				
3	31330920800	PIN	1				KA5940
	31331610100	PIN	1			KA5941	
4	37001201380	SPRING	1				
5	37001707580	CABLE,CONTROL (MICHANG CABLE)	1				
6	37000161150	PIN	1				
7	80613310060	RING,RITAINING	1		6		
9	80136332020	PIN,SPLIT	1		3.2X20		
10	91810130250	FASTENER	1				
11	31330921100	GRIP	1				
12	90303071401	WASHER,PLAIN	1		14	KA5941	

**TM-ZR300 31014010720A FRAME/STD,RADIO CONT.,NABI HOOK
PC1230027-00 PIPING,REAR JACK (2,FOR CAB BACK)**

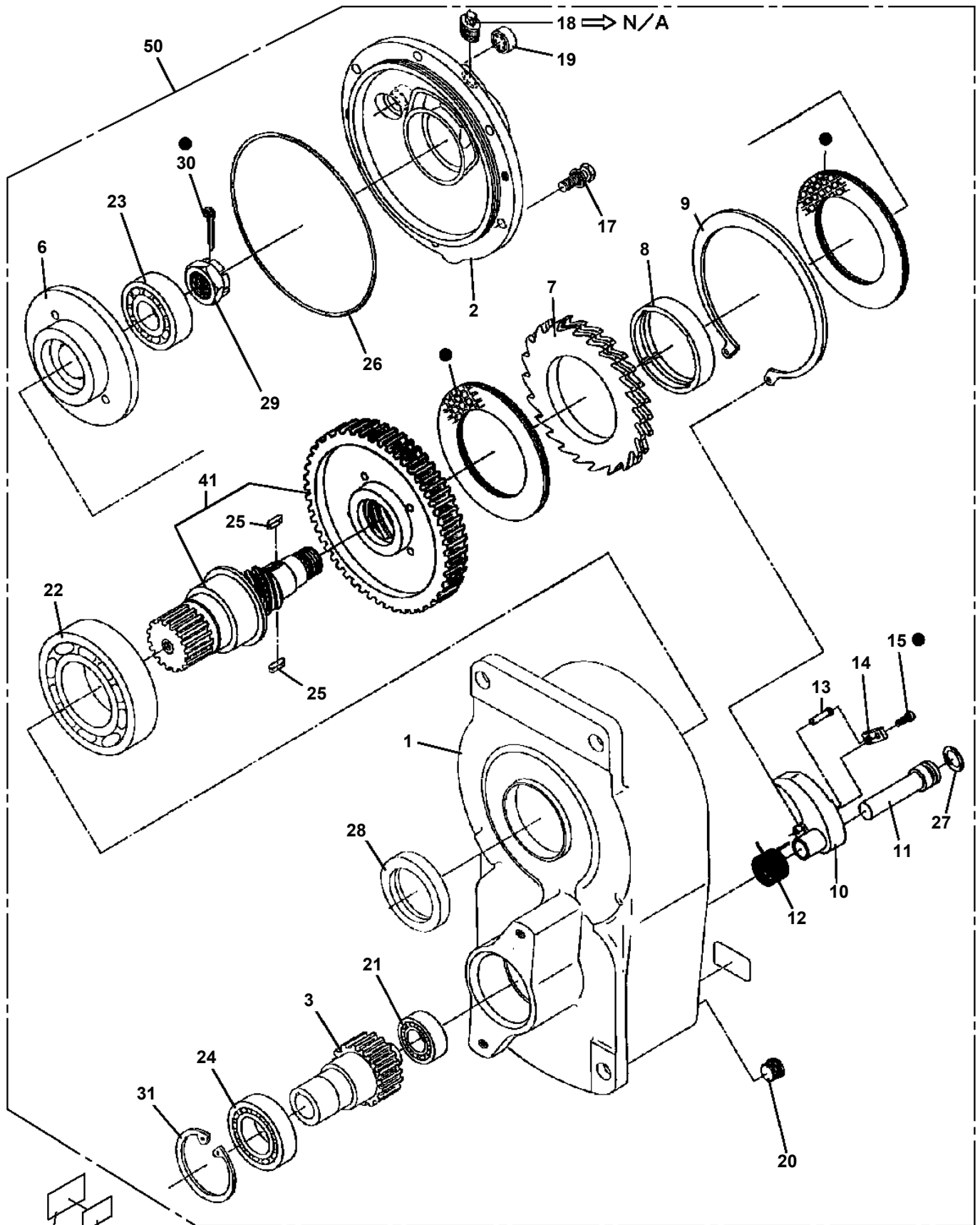


TM-ZR300 31014010720A FRAME/STD,RADIO CONT.,NABI HOOK
PD1010133-00 REDUCER,SWING SPEED

Assembly Name REDUCER, SWING SPEED



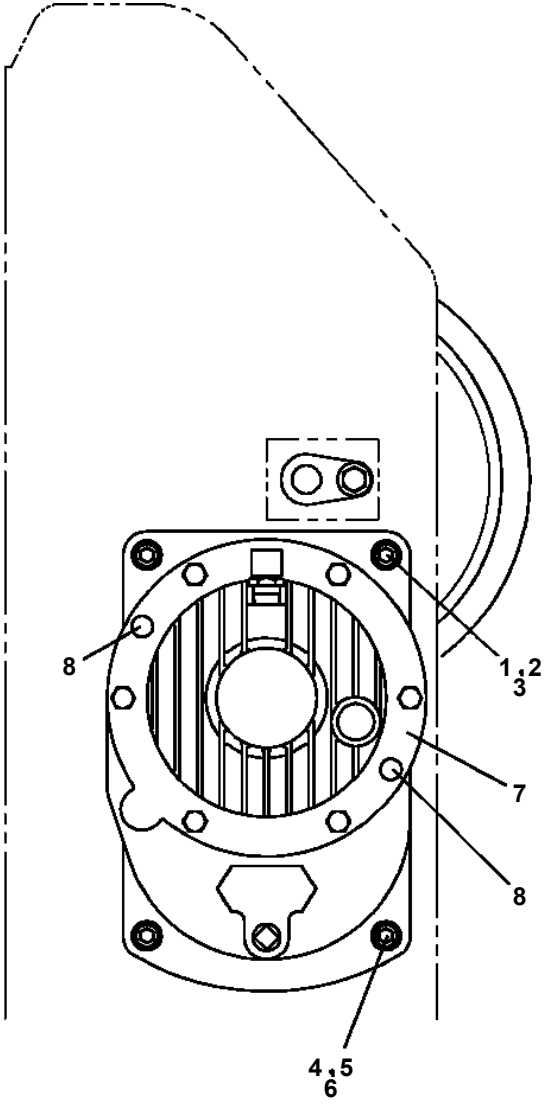
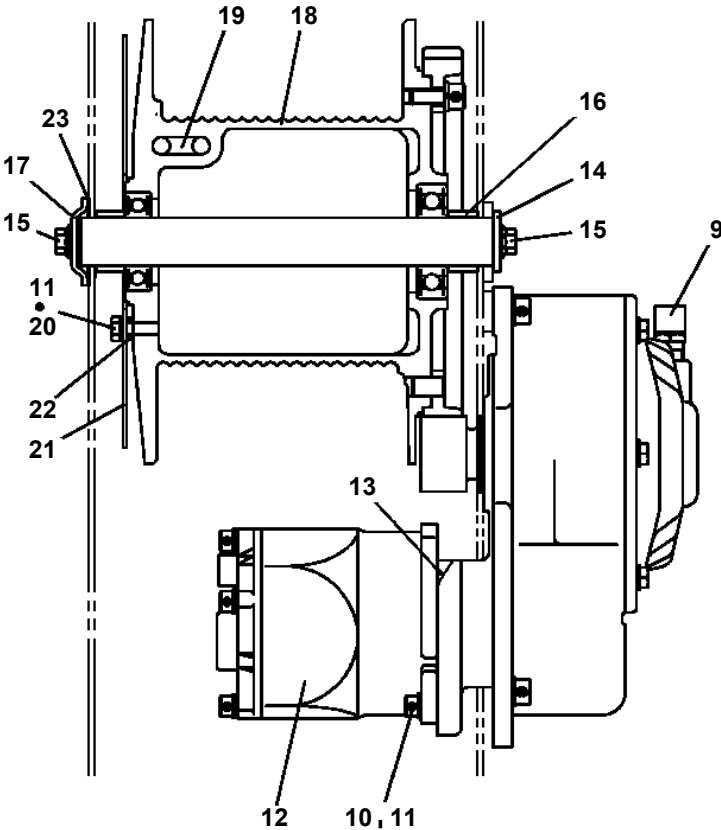
**TM-ZR300 31014010720A FRAME/STD,RADIO CONT.,NABI HOOK
PF1010128-03 WINCH (OOKUBO)**



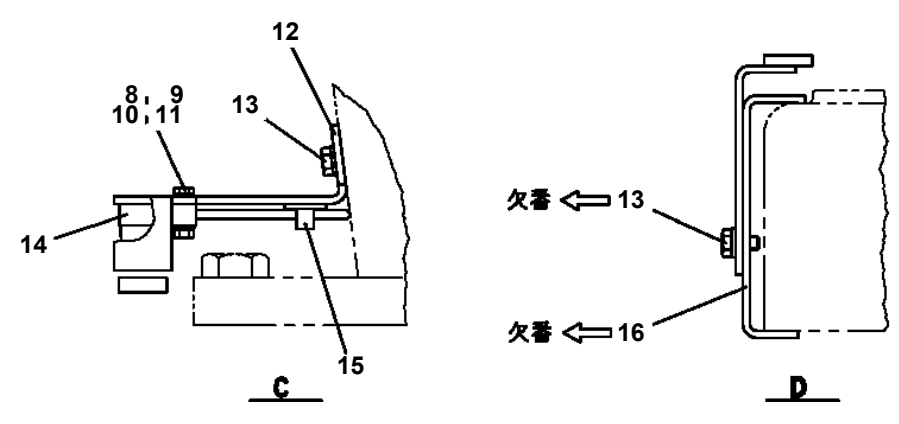
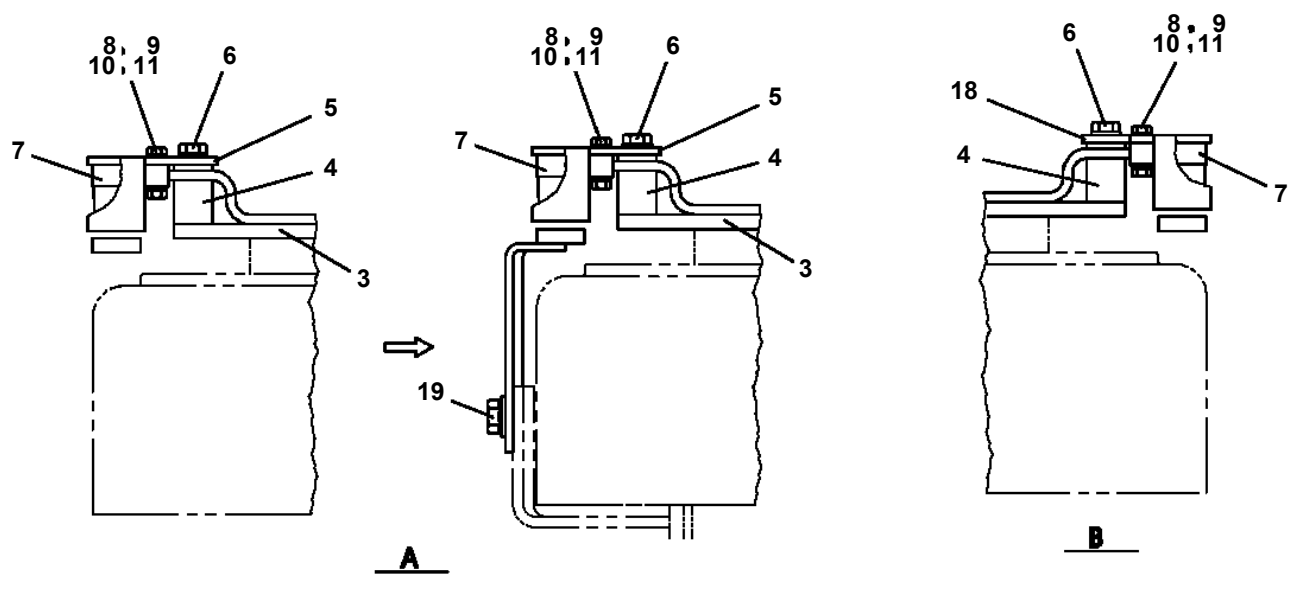
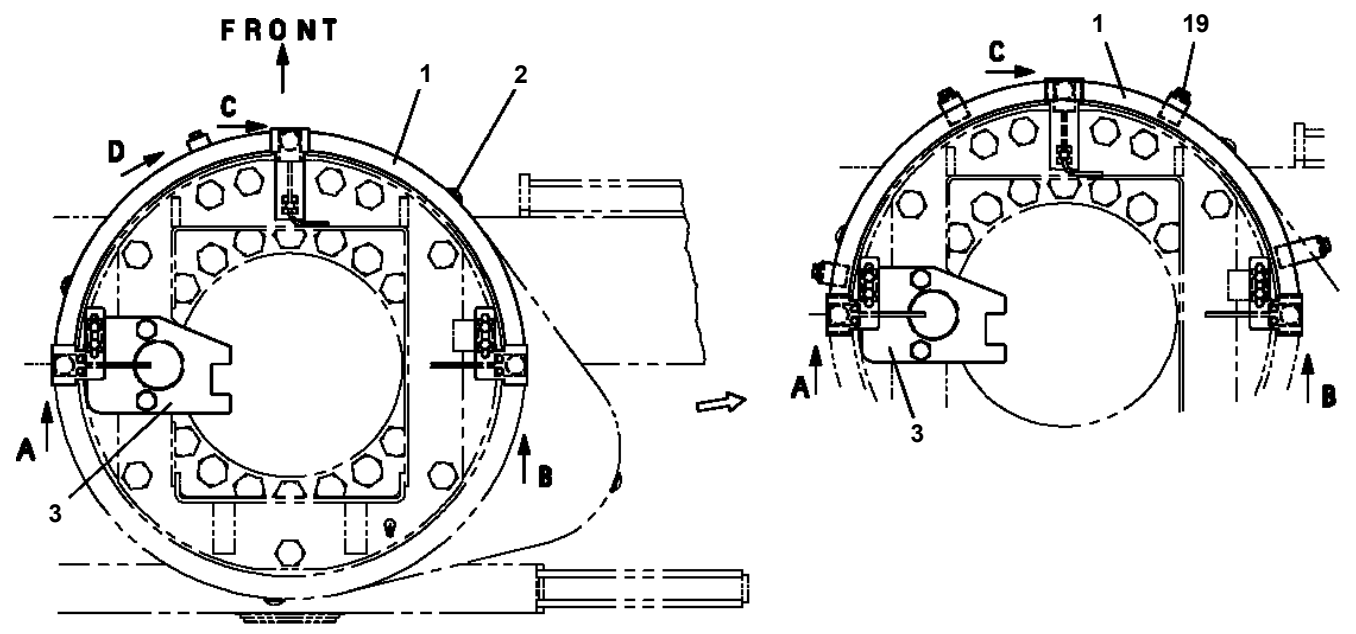
● PROTECTIVE SEAL
● REPLACEMENT INTERVAL NAME PLATE

● :FACING KIT KEY NO.101 (JAPANESE)
● :FACING KIT KEY NO.102 (ENGLISH)

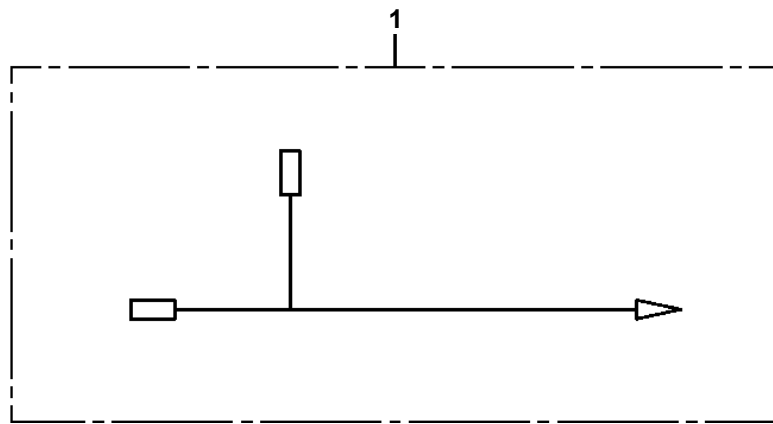
TM-ZR300 31014010720A FRAME/STD,RADIO CONT.,NABI HOOK
PF1400356-00 MOUNT,WINCH



TM-ZR300 31014010720A FRAME/STD,RADIO CONT.,NABI HOOK
 PH1080015-02 DETECTOR,AREA (BML)



TM-ZR300 31014010720A FRAME/STD,RADIO CONT.,NABI HOOK
PH5032071-00 HARNESS



TM-ZR300 31014010720A FRAME/STD,RADIO CONT.,NABI HOOK

Pos No.	Parts No	Parts Name	Qty	Unit	Technical Data	Serial No (Start)	Serial No (End)	Rema
13	36662185010	KEY (FEATHER)	1					
40	36662415020	SEAL KIT	1					
50	36663100000	MOTOR,HYDRAULIC (WINCH)	1					

CLICK HERE TO **DOWNLOAD** THE COMPLETE MANUAL

- Thank you very much for reading the preview of the manual.
- You can download the complete manual from: www.heydownloads.com by clicking the link below



- Please note: If there is no response to CLICKING the link, please download this PDF first and then click on it.

CLICK HERE TO **DOWNLOAD** THE COMPLETE MANUAL

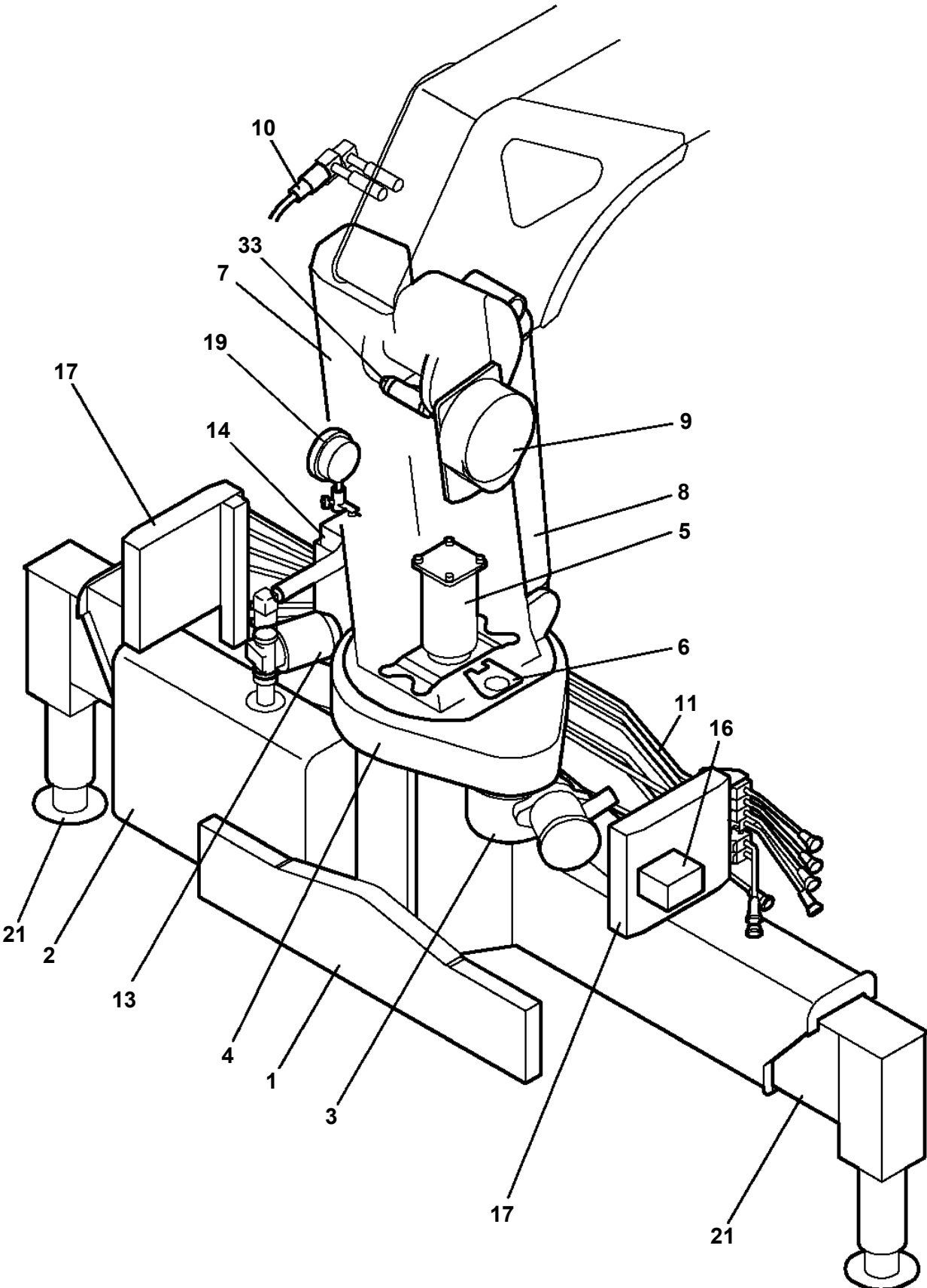
TM-ZR300 31014010720A FRAME/STD,RADIO CONT.,NABI HOOK

Pos No.	Parts No	Parts Name	Qty	Unit	Technical Data	Serial No (Start)	Serial No (End)	Remarks	Pa
2	91002801400	O-RING	2		1B P14				
6	91002800700	O-RING	1		1B P7				
50	36623930000	VALVE,PILOT CHECK	1						

TM-ZR300 31014010720A FRAME/STD,RADIO CONT.,NABI HOOK

Pos No.	Parts No	Parts Name	Qty	Unit	Technical Data	Serial No (Start)	Serial N
1	(*****)	MOUNT (PLATE/VALVE,SOLENOID)	1				
2	(*****)	PIPING	1				
3	(*****)	ELEC.ASSY (CRANE/BOOM,JACK INTERLOCK)	1				
4	(*****)	ELEC.ASSY (CARRIER)	1				
6	(*****)	PLATE ASSY,NAME (BOOM,JACK INTERLOCK)	1				

TM-ZR300 31014010720A FRAME/STD,RADIO CONT.,NABI HOOK
PK2000132-02 FRAME UNIT



TM-ZR300 31014010720A FRAME/STD,RADIO CONT.,NABI HOOK

Pos No.	Parts No	Parts Name	Qty	Unit	Technical Data	Serial No (Start)	Serial No (End)	Remarks	Pages
1	80620210050	PIN,SNAP	8						
2	31323330100	KNOB (BLACK)	4						
3	31322432002	LEVER	1						
4	31322432102	LEVER	1						
5	31322430101	SUPPORT	1						
6	37000105610	PIN	6		L=18				
7	90171112020	BOLT	4		M12X20				
8	90302041201	WASHER,SPRING	4		12				
9	31322432401	LINK	2						
10	31322430200	SUPPORT	1						
11	31322432501	ROD ASSY	2						
12	31701530200	END	2						
13	90203200800	NUT	2		M8				
14	31322432701	LEVER	1						
15	31322432601	LEVER	1						
16	37000150250	PIN ASSY	1						
17	31322224200	PLATE	5		L=1				
18	80136340020	PIN,SPLIT	3		4X20				
19	37000303890	SPACER	1		L=43				
20	37000157230	PIN ASSY	2						
21	37000311460	SPACER	2		L=5				
22	37000129200	PIN	2						
31	31322432550	ROD	2						
32	90203200800	NUT	2		M8				
33	31320810210	END	2						
41	80136340020	PIN,SPLIT	3		4X20				
42	37000150260	PIN	1						
52	37000157220	PIN	2						

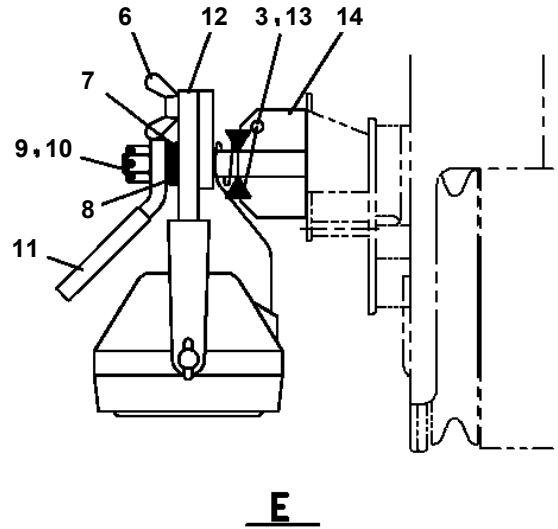
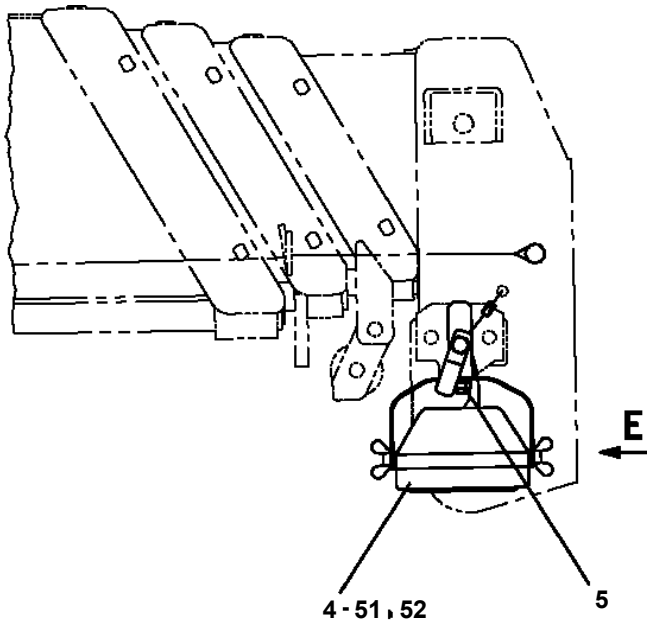
TM-ZR300 31014010720A FRAME/STD,RADIO CONT.,NABI HOOK

Pos No.	Parts No	Parts Name	Qty	Unit	Technical Data	Serial No (Start)	Serial No (End)	Remark
1	31360741200	HARNESS	1					
2	90186206010	BOLT,FLANGE	8		M6X10			
3	31360741300	LAMP ASSY	2					
4	91810130240	FASTENER	3					
5	91850310305	CLAMP	2					
21	82199444326	LAMP (YELLOW) <24V 12W)	2					
22	31360741310	SUPPORT	2					
31	31360202500	SUPPORT	2					

TM-ZR300 31014010720A FRAME/STD,RADIO CONT.,NABI HOOK

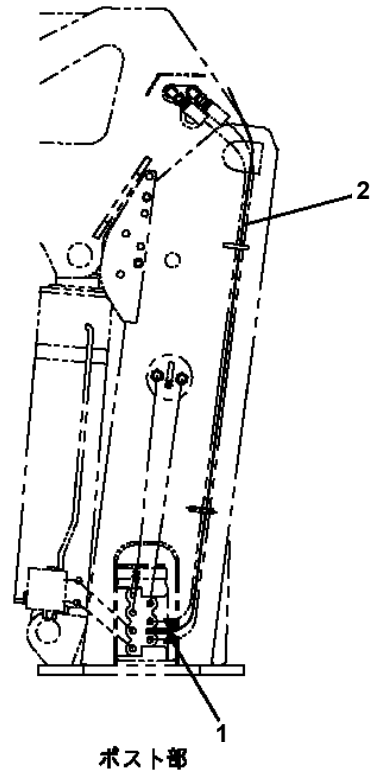
Pos No.	Parts No	Parts Name	Qty	Unit	Technical Data	Serial No (Start)	Serial No (End)	Remarks	Pages
1	31654701100	HARNESS	1						
2	91810130240	FASTENER	5						

TM-ZR300 31014010720A FRAME/STD,RADIO CONT.,NABI HOOK
 PN1013313-00 ELEC.ASSY (24V-45W LAMP/BOOM)



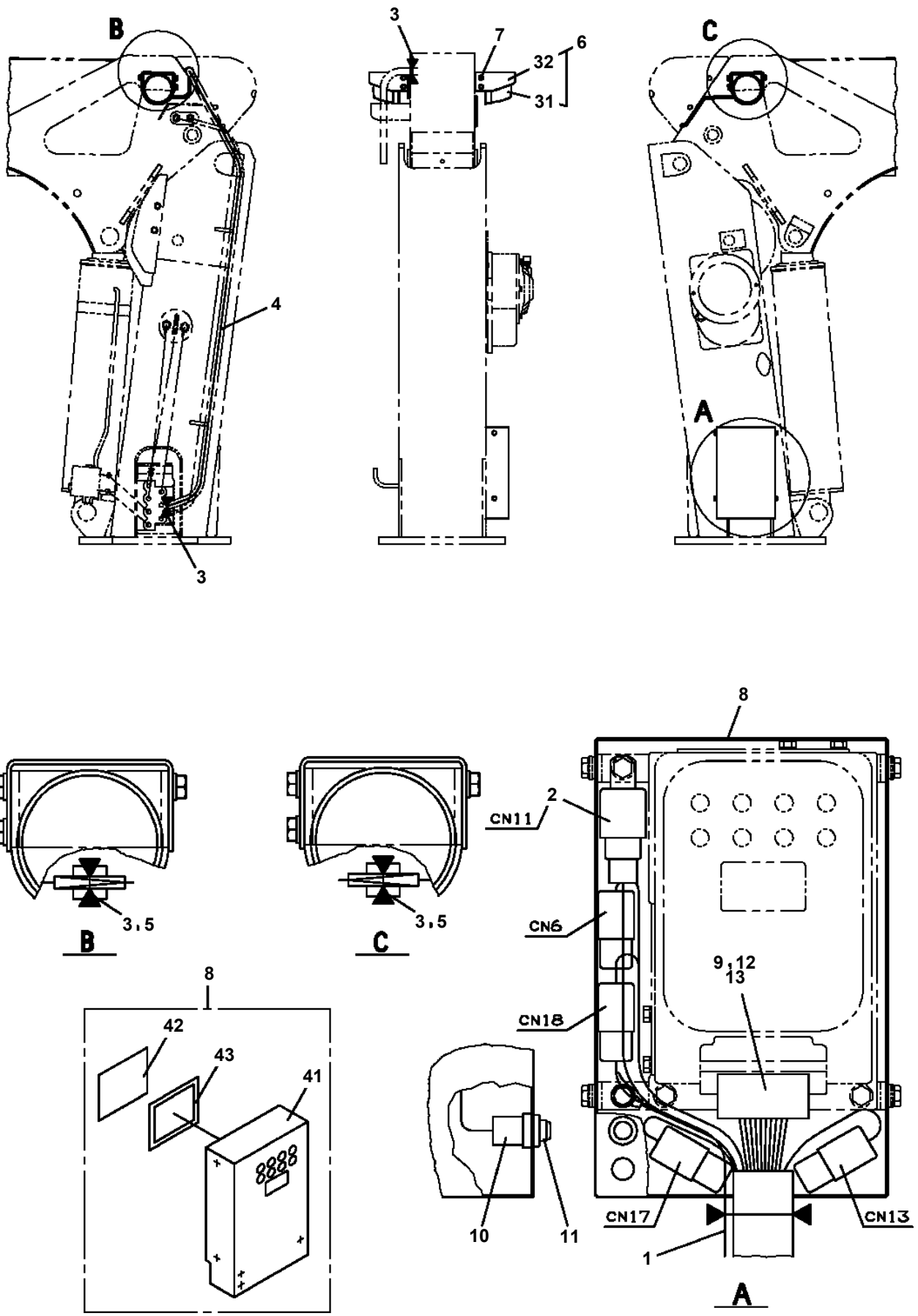
機種	段数	指示番号
ZR230	3段	31
	4段	36
ZR260, 290	3段, 3J	31
	4段	35
	5段	33
	6段	34
ZR300, 360	3段	31
	4段	32
	5段	33
	6段	34
ZR500, 550	3段	31
	4段	32
	5段	33
ZR500	6段	34

REEL, CORD NO.

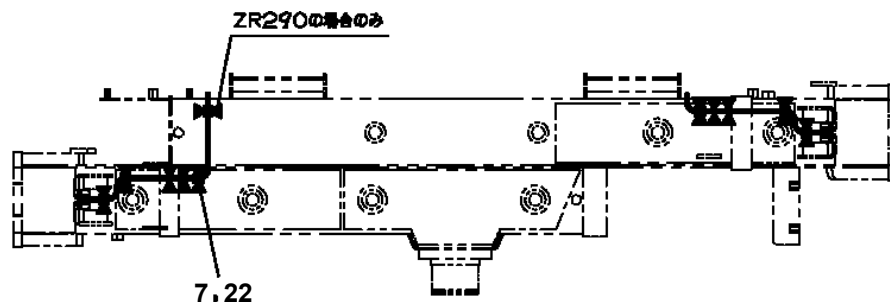


ポスト部

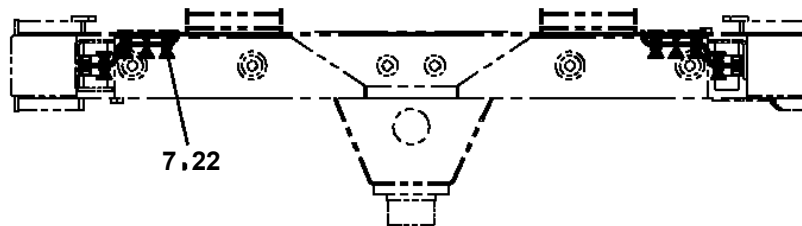
TM-ZR300 31014010720A FRAME/STD,RADIO CONT.,NABI HOOK
 PN1014088-01 ELEC.ASSY



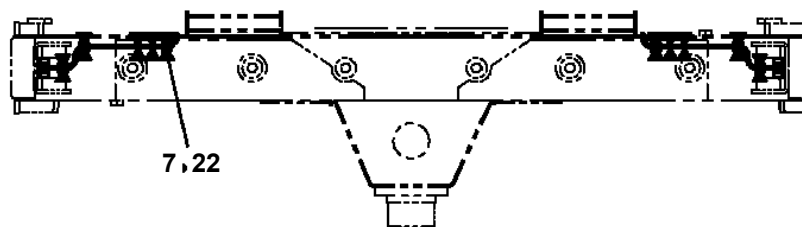
TM-ZR300 31014010720A FRAME/STD,RADIO CONT.,NABI HOOK
PN1014290-02 ELEC.ASSY (CRANE/BOOM,JACK INTERLOCK)



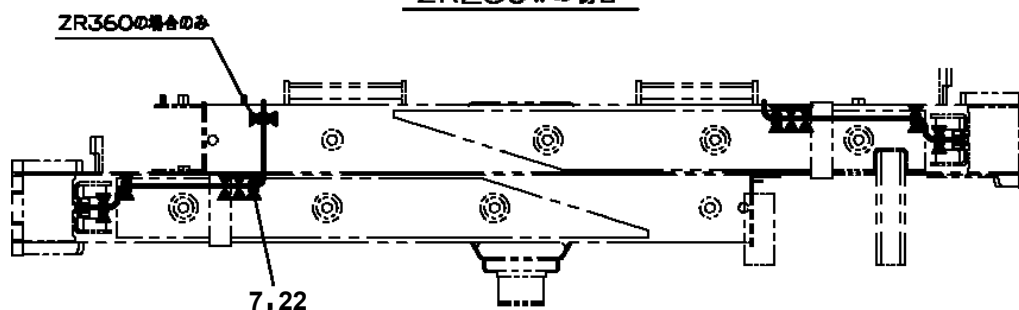
ZR260, 290の場合



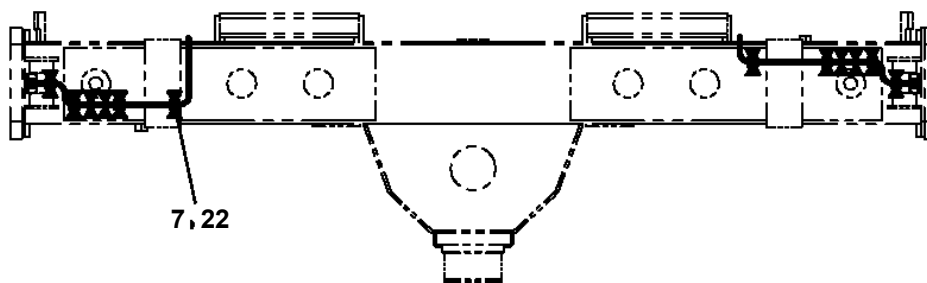
ZR230の場合



ZR230Wの場合



ZR300, 360の場合



ZR500の場合

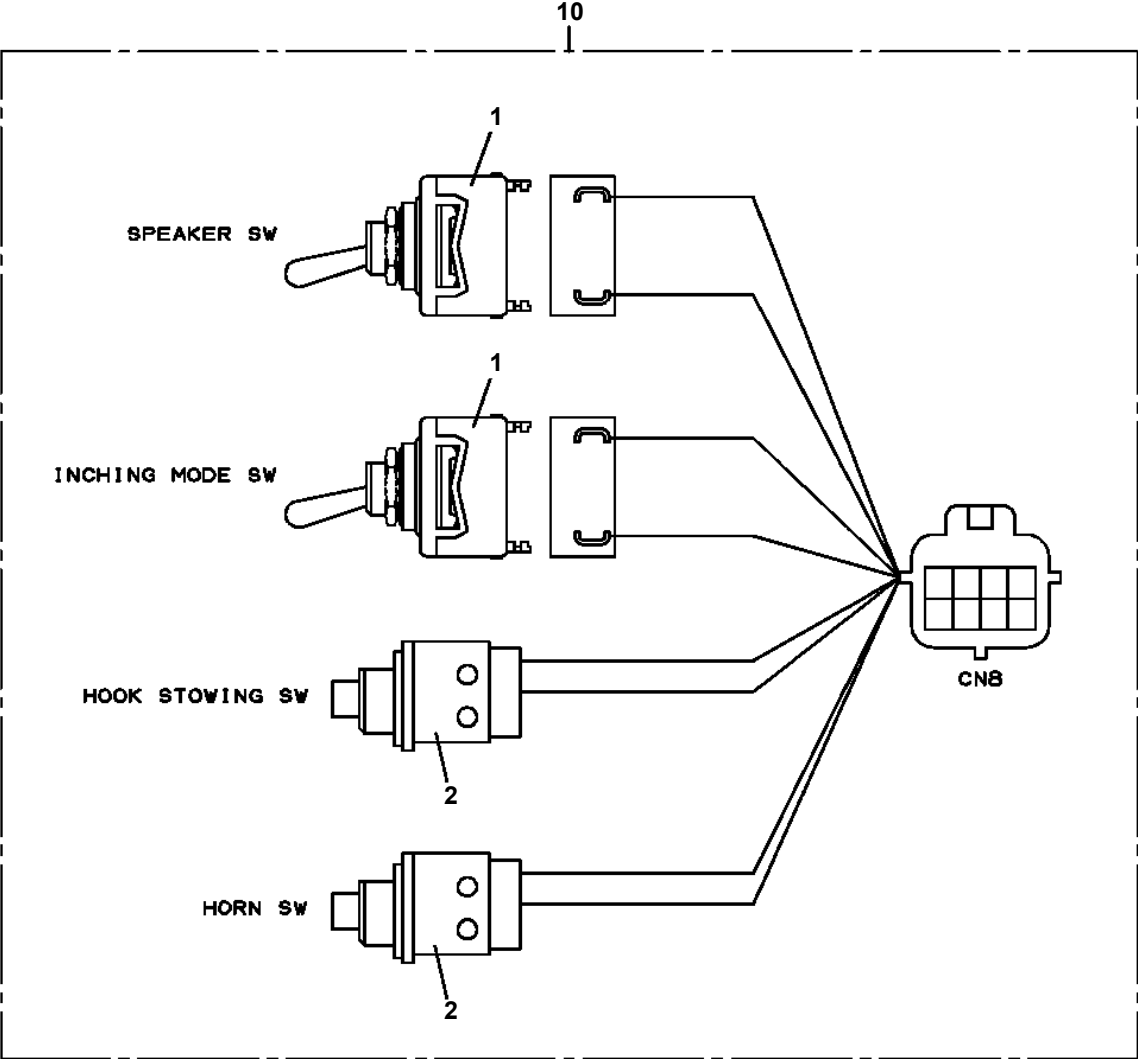
TM-ZR300 31014010720A FRAME/STD,RADIO CONT.,NABI HOOK
PN1080237-00 LAMP (MOUNT,BOOM/NO.-DA6243)

1	ハイセンASSY (アツハ ^o ー) ELEC.ASSY (UPPER)
2	ハイセンASSY (ロワー) ELEC.ASSY (LOWER)

TM-ZR300 31014010720A FRAME/STD,RADIO CONT.,NABI HOOK
PN1080243-00 LAMP

1	ハイセンASSY (アツハ ^o ー) ELEC.ASSY (UPPER)
2	ハイセンASSY (ロワ ^o ー) ELEC.ASSY (LOWER)

TM-ZR300 31014010720A FRAME/STD,RADIO CONT.,NABI HOOK
PN1140225-00 SWITCH ASSY (GREEN:PANASONIC)



TM-ZR300 31014010720A FRAME/STD,RADIO CONT.,NABI HOOK

Pos No.	Parts No	Parts Name	Qty	Unit	Technical Data	Serial No (Start)	Serial No (End)	Remarks	Pages
1	31370255010	PLATE	1						
2	31370255020	CASE	1						
9	31370255080	BRUSH	1						
10	31370255090	PLATE	1						
11	80175104012	SCREW,MACHINE	2		M4X12				
12	90240200400	NUT,CAP	2		M4				
13	90303100401	WASHER,PLAIN	2		4				
14	90302040401	WASHER,SPRING	2		4				
15	31370255100	RING,SLIP	1						
16	82100000080	CORD (1-LINE)	14	M					
17	31370255110	WASHER	2						
18	90102205008	BOLT	2		M5X8				
19	31370255120	GROMMET	1						
24	90102205012	BOLT	4		M5X12				
25	90201200500	NUT	4		M5				
26	90303100501	WASHER,PLAIN	8		5				
27	82100000192	TERMINAL	1						
28	82100000182	INSULATOR	1						
30	82100000191	TERMINAL	1						
31	82100000183	INSULATOR	1						
41	36160265010	SPRING ASSY	1						
500	36160670000	REEL,CORD	1						

TM-ZR300 31014010720A FRAME/STD,RADIO CONT.,NABI HOOK

Pos No.	Parts No	Parts Name	Qty	Unit	Technical Data	Serial No (Start)	Serial No (End)	Remarks	Pages
1	31502232100	PLATE,CAUTION	1						
2	31502232200	PLATE,CAUTION	1						

TM-ZR300 31014010720A FRAME/STD,RADIO CONT.,NABI HOOK

Pos No.	Parts No	Parts Name	Qty	Unit	Technical Data	Serial No (Start)	Serial No (End)	Remarks	Pa
1	37002220770	PLATE,NAME	1						
2	37002220780	PLATE,NAME	1						
3	37002220790	PLATE,NAME	1						
4	37002220800	PLATE,NAME	1						
5	31394490500	PLATE,CAUTION	4						
6	31393180100	REFLECTOR (RED)	2						
7	31611300500	PLATE,NAME (WHITE)	4						
8	31395220250	PLATE,CAUTION	2						
9	37002220430	PLATE,CAUTION	2						
10	31394500100	PLATE,CAUTION	1						
11	31394500200	PLATE,CAUTION	1						

TM-ZR300 31014010720A FRAME/STD,RADIO CONT.,NABI HOOK

Pos No.	Parts No	Parts Name	Qty	Unit	Technical Data	Serial No (Start)	Serial No (End)	Re
1	37002220460	PLATE,NAME	1					
2	37002220470	PLATE,NAME	1					
3	37002220480	PLATE,NAME	1					
4	37002220490	PLATE,NAME	2					
5	37002220500	PLATE,NAME	1					
6	37002220510	PLATE,NAME	1					
7	37002220520	PLATE,NAME	1					
8	37002220530	PLATE,NAME	1					
9	37002220540	PLATE,NAME	1					
10	37002220550	PLATE,NAME	1					
11	37002220560	PLATE,NAME	1					
12	37002220570	PLATE,NAME	1					
13	37002220580	PLATE,NAME	1					
16	31395220230	PLATE,CAUTION	2					
17	37002220420	PLATE,CAUTION	1					
18	37002220410	PLATE,CAUTION	1					
19	37002220440	PLATE,CAUTION	1					
20	31394270230	PLATE,CAUTION	2					
21	31395220250	PLATE,CAUTION	2					
22	37002220430	PLATE,CAUTION	2					
23	37002206490	PLATE,NAME (GREASE)	5					
24	37002220450	PLATE,NAME	1					
25	37002200320	PLATE,NAME	1					
26	37002213190	PLATE,NAME (LEVEL,ISO VG46)	1					
27	37002224400	PLATE,NAME	1					
28	37002224440	PLATE,NAME	1					
29	37002221010	PLATE,NAME (2.93TON)	2					

TM-ZR300 31014010720A FRAME/STD,RADIO CONT.,NABI HOOK

Pos No.	Parts No	Parts Name	Qty	Unit	Technical Data	Serial No (Start)	Serial No (End)	Remarks	Pages
1	31500626101	PLATE,NAME	2						
2	31500626200	PLATE,CAUTION	2						

TM-ZR300 31014010720A FRAME/STD,RADIO CONT.,NABI HOOK

Pos No.	Parts No	Parts Name	Qty	Unit	Technical Data	Serial No (Start)	Serial No (End)	Remarks	Pa
1	31490292100	PLATE,NAME	1						
2	31490292200	PLATE,NAME	1						
3	31490292300	PLATE,NAME	2						
4	31490292400	PLATE,NAME	1						
5	37002221190	PLATE,NAME (ZR305)	2						
6	31392140130	INDICATOR	2						
7	90190000060	BOLT	2		M10X16				

TM-ZR300 31014010720A FRAME/STD,RADIO CONT.,NABI HOOK

Pos No.	Parts No	Parts Name	Qty	Unit	Technical Data	Serial No (Start)	Serial No (End)	Remarks	Pages
1	36804171000	PLATE,NAME	1						

TM-ZR300 31014010720A FRAME/STD,RADIO CONT.,NABI HOOK

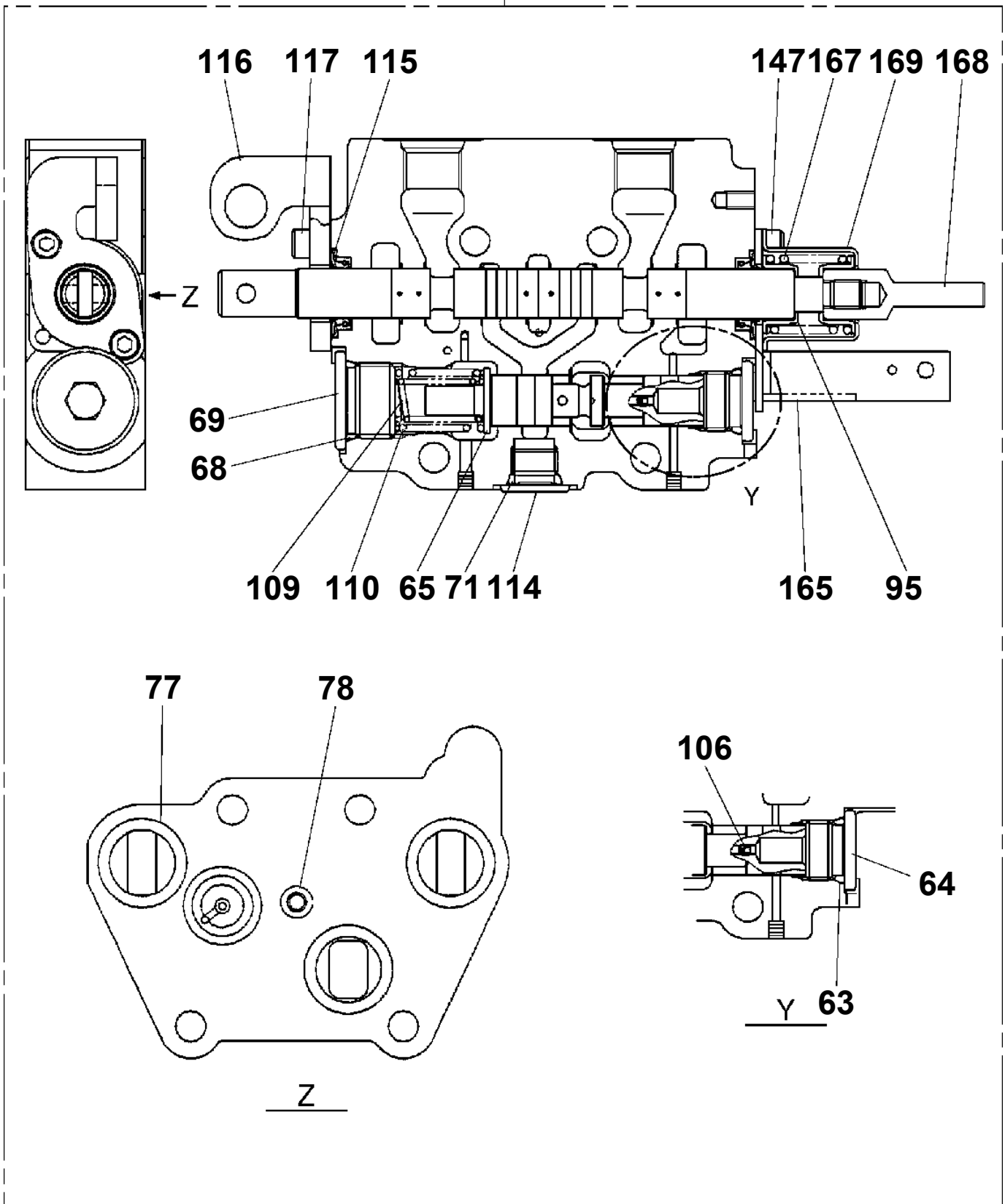
Pos No.	Parts No	Parts Name	Qty	Unit	Technical Data	Serial No (Start)	Serial No (End)	Remarks	Pages
1	36804181100	PLATE,NAME	1						

TM-ZR300 31014010720A FRAME/STD,RADIO CONT.,NABI HOOK

Pos No.	Parts No	Parts Name	Qty	Unit	Technical Data	Serial No (Start)	Serial No (End)	Remarks
5	82182819823	DIODE	1		1.5A			
9	34354781710	RELAY (WITH BRACKET)	1					
100	34354781720	RELAY (WITH HARNESS)	1					

TM-ZR300 31014010720A FRAME/STD,RADIO CONT.,NABI HOOK
PV1020283-01 VALVE,REMOTE CONTROL

10



TM-ZR300 31014010720A FRAME/STD,RADIO CONT.,NABI HOOK

Pos No.	Parts No	Parts Name	Qty	Unit	Technical Data	Serial No (Start)	Serial No (End)	Remarks	P
1	36801995021	CASE KIT (UPPER)	1						
2	36800565071	CASE KIT (LOWER)	1						
3	36800555081	PLATE,NAME (SEAL)	1						
4	36800095042	BELT ASSY	1						
5	36800565101	COVER (BATTERY)	1						
6	36800095031	CASE (BATTERY)	1						
22	36800095061	RING (CASE)	1						
23	36801995041	ANTENNA (FLEXIBLE)	1						
24	36800565151	PLATE,NAME	1						
25	36800565131	RUBBER (BOTTUN)	1						
42	36800565081	CASE ASSY (LEVER)	1						
52	36800295111	GUARD (HAND)	1						
53	36801995081	GRIP	1						
100	36801992001	SWITCH BOX (FUTABA)	1						

TM-ZR300 31014010720A FRAME/STD,RADIO CONT.,NABI HOOK

Pos No.	Parts No	Parts Name	Qty	Unit	Technical Data	Serial No (Start)	Serial No (End)
2	36800541000	STOWING BOX (BAG,RADIO CONTROL)	1				
3	36802951000	CHARGER,BATTERY	1				
4	36804180100	PLATE,NAME (WITH BML)	1				
6	(*****)	MOUNT,ANTENNA (RADIO CONTROL)	1				
	(*****)	MOUNT,ANTENNA	1			ER6384	ER6383
10	(*****)	PLATE,NAME	1			ER3769	
21	36804342001	CONTROL UNIT	1				
	36804341000	CONTROL UNIT	1				
22	36802862000	ANTENNA (FOR RADIO CONTROL)	1				
23	36802863000	SWITCH BOX(RADIO CONTROL)	1				
31	(*****)	ELEC.ASSY (BML/ALARM LAMP)	1				
32	(*****)	ELEC.ASSY (POST)	1				
34	(*****)	DETECTOR,AREA (BML)	1				
35	(*****)	INDICATOR,OUTRIGGER (BML)	1				
36	(*****)	DETECTOR,LOAD (BML,ELEVATING CYL.)	1				
37	(*****)	PLATE ASSY,NAME (BML)	1				

TM-ZR300 31014010720A FRAME/STD,RADIO CONT.,NABI HOOK

Pos No.	Parts No	Parts Name	Qty	Unit	Technical Data	Serial No (Start)	Serial No (End)	Remarks	Pages
1	31653110200	CABLE ASSY	1		L=2000				

TM-ZR300 31014010720A FRAME/STD,RADIO CONT.,NABI HOOK

Pos No.	Parts No	Parts Name	Qty	Unit	Technical Data	Serial No (Start)	Serial No (End)	Remarks	Pages
1	31360202500	SUPPORT	2						

TM-ZR300 31014010720A FRAME/STD,RADIO CONT.,NABI HOOK

Pos No.	Parts No	Parts Name	Qty	Unit	Technical Data	Serial No (Start)	Serial No (End)	Remarks	Pages
1	91810130240	FASTENER	4						
2	82100000192	TERMINAL	1						
3	82100000182	INSULATOR	1						
4	31476361200	HARNESS (WHITE)	1		L=2000				

CLICK HERE TO **DOWNLOAD** THE COMPLETE MANUAL

- Thank you very much for reading the preview of the manual.
- You can download the complete manual from: www.heydownloads.com by clicking the link below



- Please note: If there is no response to CLICKING the link, please download this PDF first and then click on it.

CLICK HERE TO **DOWNLOAD** THE COMPLETE MANUAL