

TM-ZR260 41108210370A FRAME/STD,MANUAL,HOOK-IN
PB000020-02 SYSTEM (ZR260,DOMESTIC)
ASSEMBLY

CLICK HERE TO **DOWNLOAD** THE COMPLETE MANUAL

- Thank you very much for reading the preview of the manual.
- You can download the complete manual from: www.heydownloads.com by clicking the link below



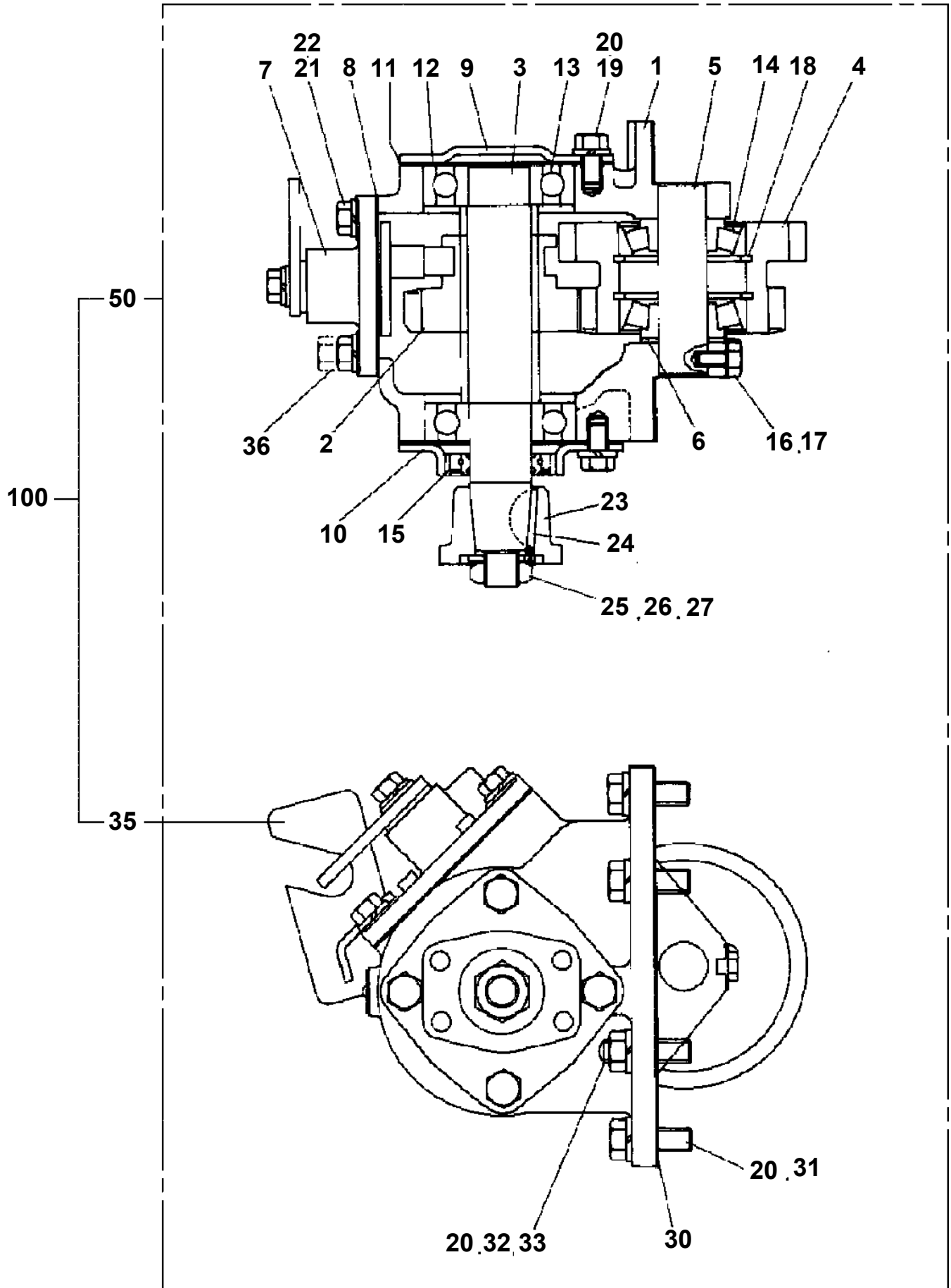
- Please note: If there is no response to CLICKING the link, please download this PDF first and then click on it.

CLICK HERE TO **DOWNLOAD** THE COMPLETE MANUAL

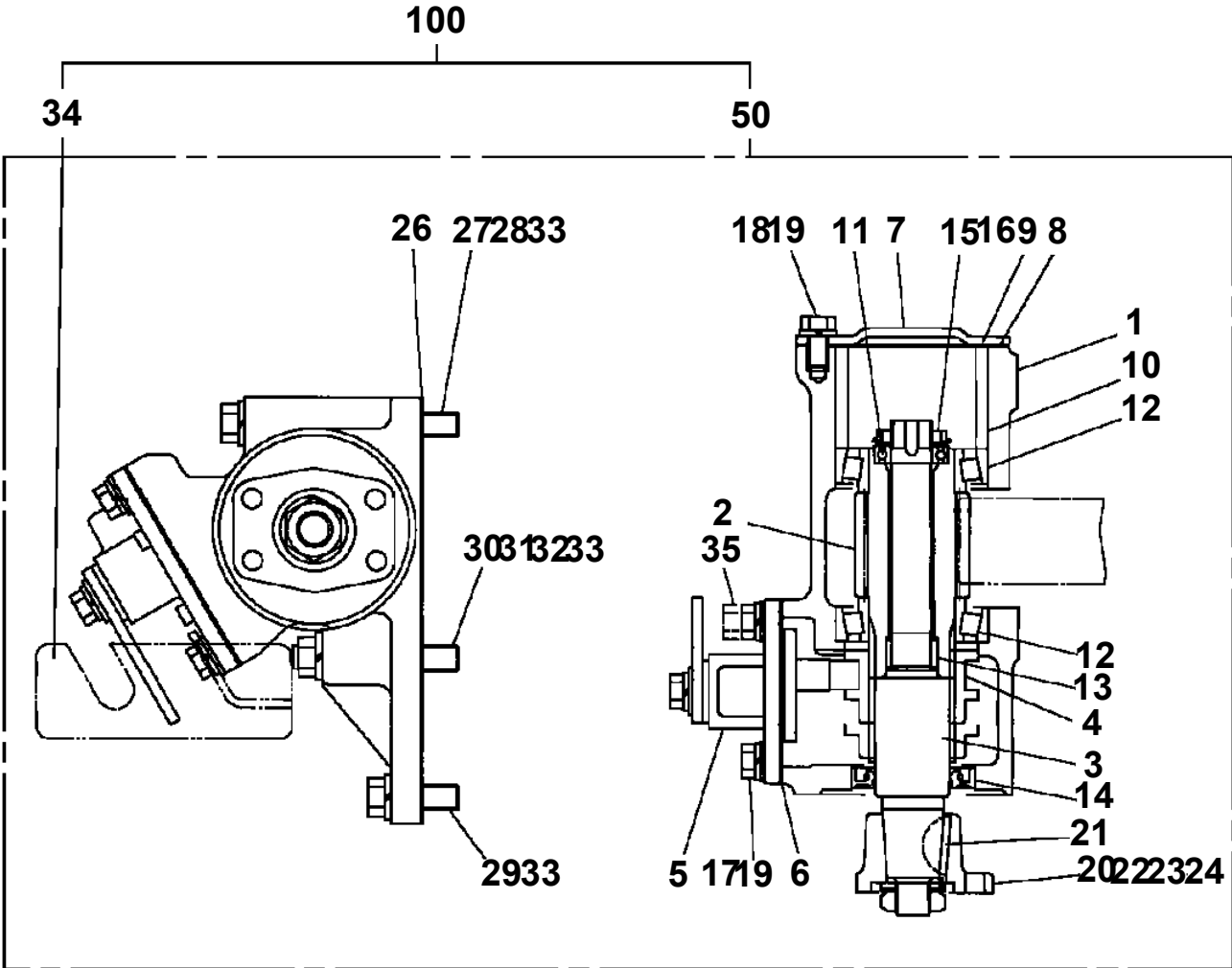
TM-ZR260 41108210370A FRAME/STD,MANUAL,HOOK-IN

Pos No.	Parts No	Parts Name	Qty	Unit	Technical Data	Serial No (Start)	Serial No (End)	R	
1	31792090000	POWER TAKE OFF	1						
	31790990000	POWER TAKE OFF	1						
	31790890000	POWER TAKE OFF	1						
	31790900000	POWER TAKE OFF	1						
	31792380000	POWER TAKE OFF	1						
	31790880000	POWER TAKE OFF	1						
	31792370000	POWER TAKE OFF	1						
	31792100000	POWER TAKE OFF	1						
	31792150000	POWER TAKE OFF	1						
	31792260000	POWER TAKE OFF	1						
	31792270000	POWER TAKE OFF	1						
	31792080000	POWER TAKE OFF	1						
	2	31792250000	POWER TAKE OFF	1					
		31792480000	POWER TAKE OFF	1					
		31792240000	POWER TAKE OFF	1					
		31791110000	POWER TAKE OFF	1					
		31792490000	POWER TAKE OFF	1					
31791090000		POWER TAKE OFF	1						
31791100000		POWER TAKE OFF	1						
31790710000		POWER TAKE OFF	1						
31790730000		POWER TAKE OFF	1						
31790970000		POWER TAKE OFF	1						
31791120000		POWER TAKE OFF	1						
31791190000		POWER TAKE OFF	1						
31791620000		POWER TAKE OFF	1						
31791610000		POWER TAKE OFF	1						
31791240000		POWER TAKE OFF	1						
31792120000		POWER TAKE OFF	1						
31792220000		POWER TAKE OFF	1						
31791180000		POWER TAKE OFF	1						
31791170000		POWER TAKE OFF	1						
31791130000		POWER TAKE OFF	1						
31791080000		POWER TAKE OFF	1						
31791220000		POWER TAKE OFF	1						
31791570000		POWER TAKE OFF	1						
31792230000		POWER TAKE OFF	1						
3		31791050000	POWER TAKE OFF	1					
		31792220000	POWER TAKE OFF	1					
		31791240000	POWER TAKE OFF	1					
	31791220000	POWER TAKE OFF	1						
	31791190000	POWER TAKE OFF	1						
	31791180000	POWER TAKE OFF	1						
	31791080000	POWER TAKE OFF	1						
	31791110000	POWER TAKE OFF	1						
	31791610000	POWER TAKE OFF	1						
	31792230000	POWER TAKE OFF	1						
	31790970000	POWER TAKE OFF	1						
	31790730000	POWER TAKE OFF	1						
	31791100000	POWER TAKE OFF	1						
	31791090000	POWER TAKE OFF	1						
	31791620000	POWER TAKE OFF	1						
	31791570000	POWER TAKE OFF	1						
	31791170000	POWER TAKE OFF	1						
	31790710000	POWER TAKE OFF	1						
	31791130000	POWER TAKE OFF	1						
	31791120000	POWER TAKE OFF	1						
	31792240000	POWER TAKE OFF	1						
31792250000	POWER TAKE OFF	1							
31792120000	POWER TAKE OFF	1							
4	31790730000	POWER TAKE OFF	1						
	31790710000	POWER TAKE OFF	1						
5	36401600000	POWER TAKE OFF	1						
	31790860000	POWER TAKE OFF	1						

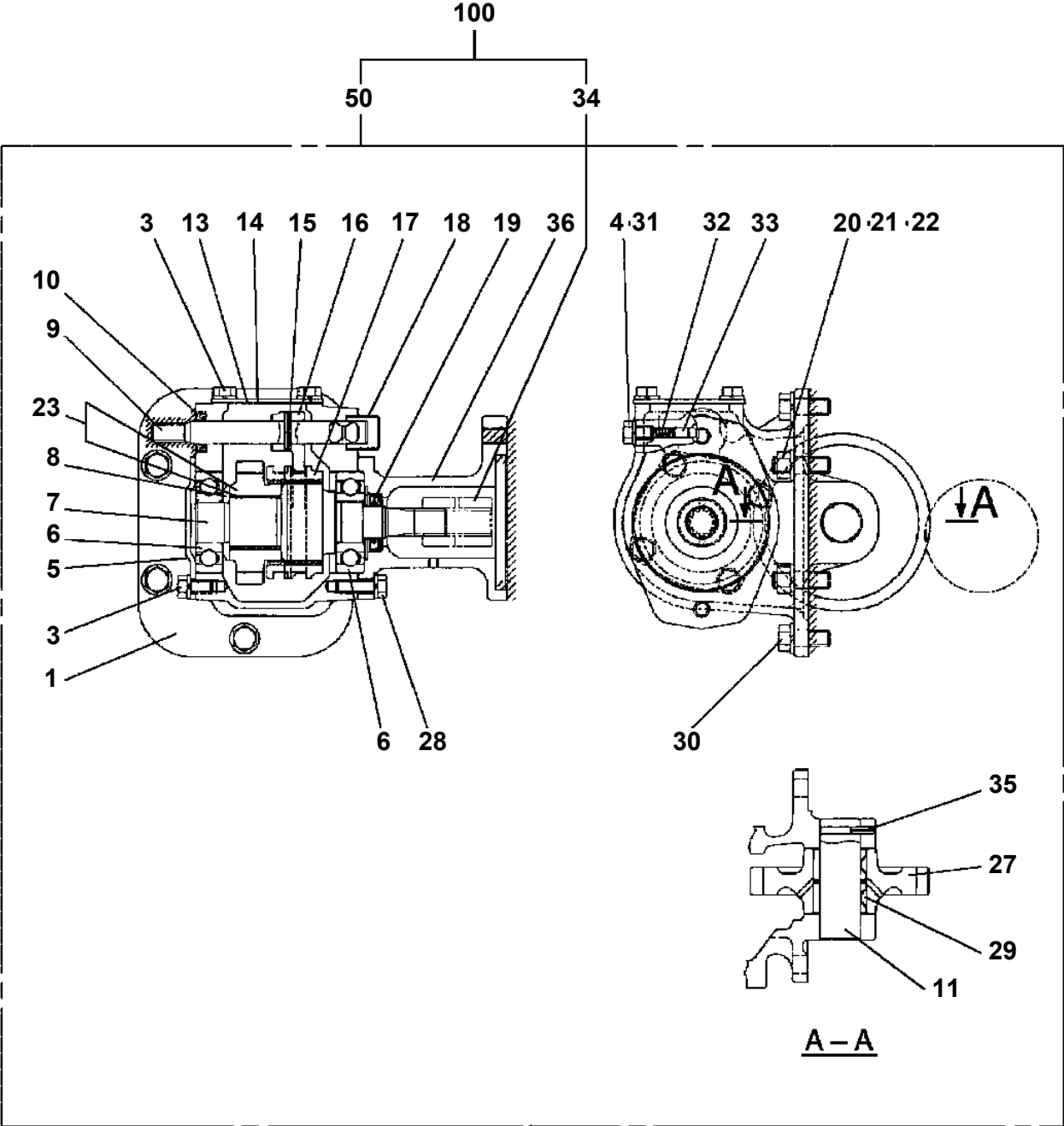
TM-ZR260 41108210370A FRAME/STD,MANUAL,HOOK-IN
PB1030063-02 POWER TAKE OFF



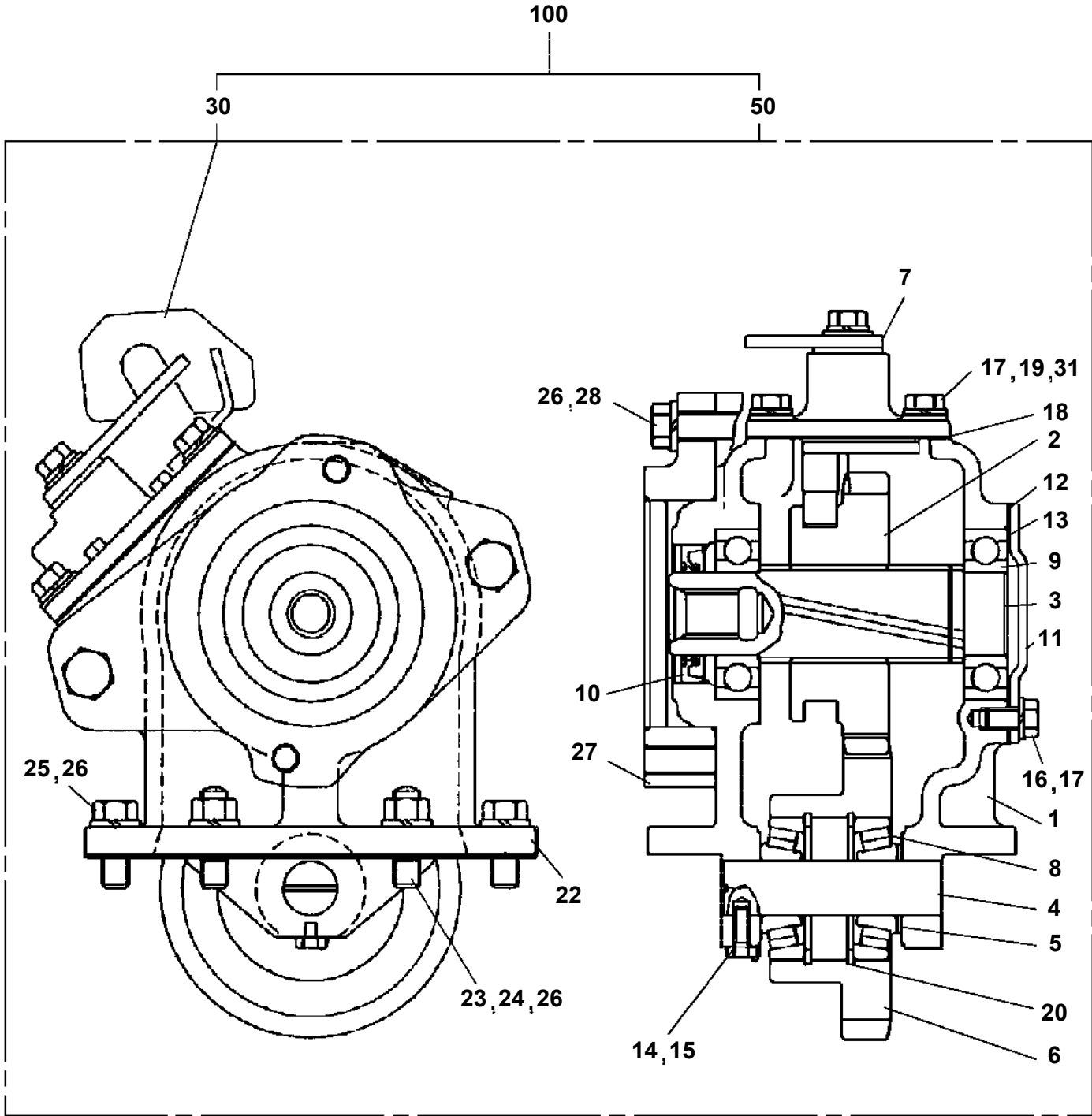
**TM-ZR260 41108210370A FRAME/STD,MANUAL,HOOK-IN
PB1030131-01 POWER TAKE OFF**



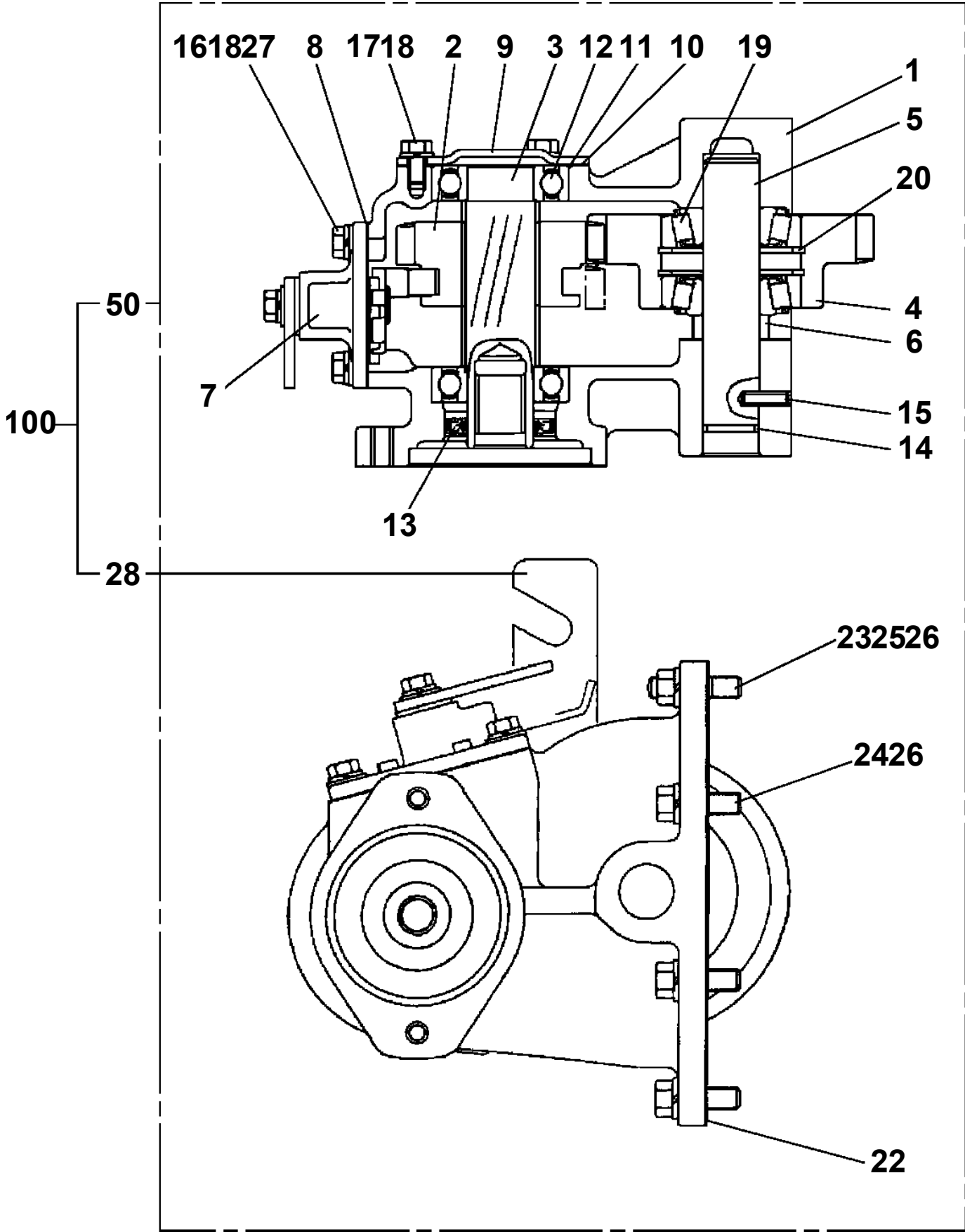
TM-ZR260 41108210370A FRAME/STD,MANUAL,HOOK-IN
PB1030163-02 POWER TAKE OFF



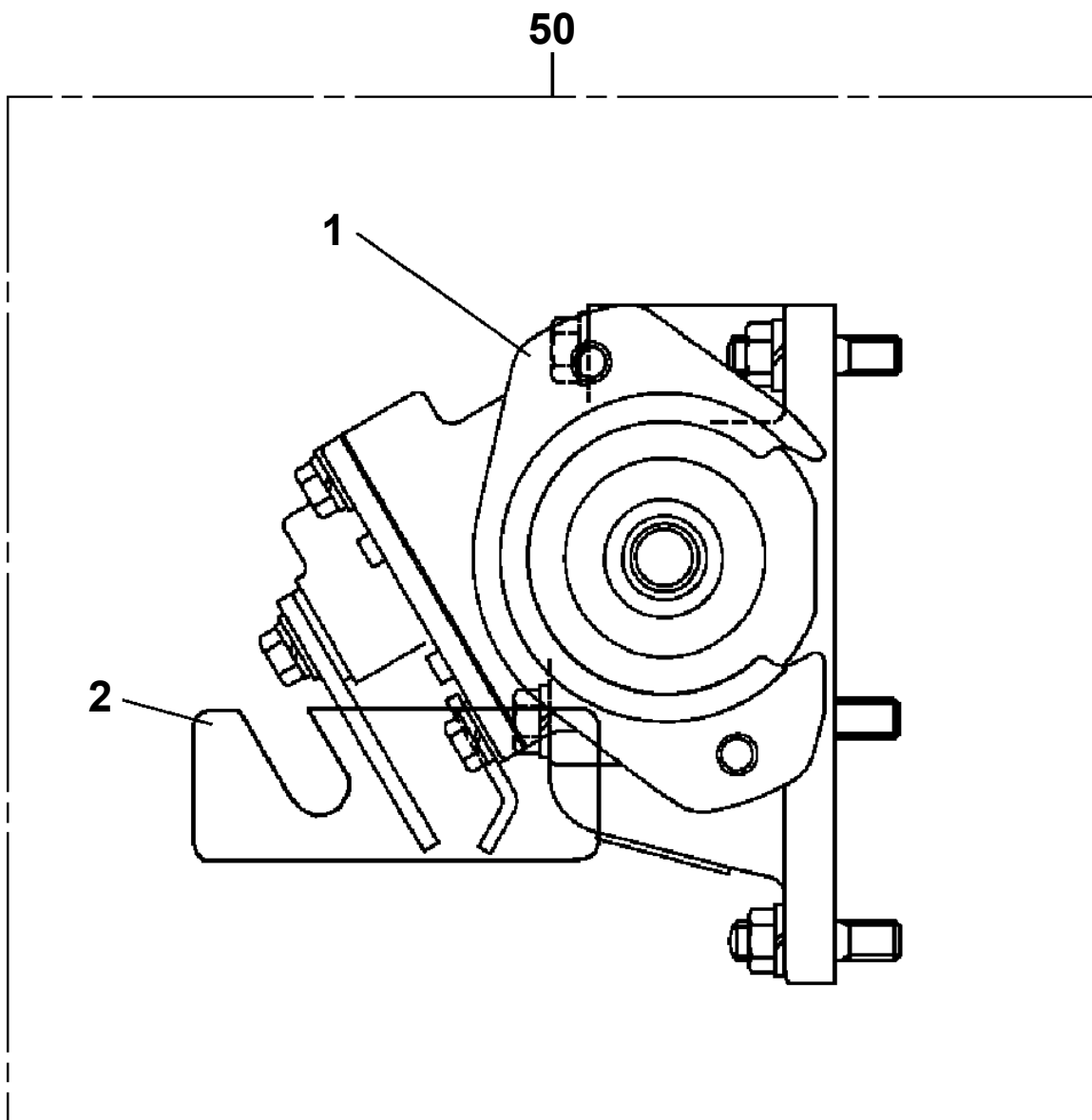
TM-ZR260 41108210370A FRAME/STD,MANUAL,HOOK-IN
PB1030171-02 POWER TAKE OFF



TM-ZR260 41108210370A FRAME/STD,MANUAL,HOOK-IN
PB1030192-01 POWER TAKE OFF



TM-ZR260 41108210370A FRAME/STD,MANUAL,HOOK-IN
PB1030204-00 POWER TAKE OFF



TM-ZR260 41108210370A FRAME/STD,MANUAL,HOOK-IN

Pos No.	Parts No	Parts Name	Qty	Unit	Technical Data	Serial No (Start)	Serial No (End)	Remarks	Page
1	36401885010	CASE	1						
2	36401885020	GEAR	1						
3	36400915030	SHAFT	1						
4	36401885030	GEAR	1						
5	36400415050	SHAFT	1						
6	36400675030	COLLAR	1						
7	36400095100	SHIFTER ASSY	1						
8	36400095110	PACKING	1						
9	36400095070	COVER (BEARING)	1						
10	36400095080	PACKING (COVER)	1						
11	36400095090	SHIM	N						
12	80500006206	BEARING,BALL	2						
13	91206030005	SEAL,OIL	1						
14	91001102100	O-RING	1		1A P21				
15	90710006200	SCREW,SET	1		M6X20				
16	90191208020	BOLT	4		M8X20				
17	90191208014	BOLT	3		M8X14				
18	90302040801	WASHER,SPRING	7		8				
19	36400135070	BEARING	2						
20	80602110620	RING,RITAINING	2		R62				
22	36401885050	PACKING	2						
23	36400095150	BOLT,STUD	2		M10X1.25/1.5X43				
24	90191210030	BOLT	5		M10X30				
25	90267201000	NUT	2		M10				
26	90302041001	WASHER,SPRING	8		10				
27	36401895060	SPACER	1						
28	31790670100	SUPPORT	1						
29	90191208025	BOLT	2		M8X25				
50	36401960000	POWER TAKE OFF	1						
100	31791240000	POWER TAKE OFF	1						

TM-ZR260 41108210370A FRAME/STD,MANUAL,HOOK-IN

Pos No.	Parts No	Parts Name	Qty	Unit	Technical Data	Serial No (Start)	Serial No (End)	Remarks	Pages
1	36401135050	CASE	1						
2	36401135060	GEAR (TO)	1						
3	36401125030	SHAFT (TO)	1						
4	36401125040	SLEEVE	1						
5	36401125050	SHIFTER SET	1						
6	36400095110	PACKING	1						
7	36400095070	COVER (BEARING)	1						
8	36400095080	PACKING (COVER)	1						
9	36400095090	SHIM	N						
10	36401135070	COLLAR	1						
11	80500006903	BEARING,BALL	1						
12	36401125080	BEARING,ROLLER	2						
13	36401125090	BEARING,NEEDLE	1						
14	91206030005	SEAL,OIL	1						
15	36401125100	RING,RETAINING	1						
16	90191208020	BOLT	4		M8X20				
17	90191208014	BOLT	3		M8X14				
18	90302040801	WASHER,SPRING	7		8				
20	36402015020	PACKING	2						
21	36402025030	BOLT	1		M10X1.5X115				
22	36402015040	BOLT	1		M10X1.5X105				
23	90191210045	BOLT	2		M10X45				
24	36402015010	BOLT,STUD	1						
25	36402025010	BOLT,STUD	1						
26	90267201000	NUT	2		M10				
27	90302041001	WASHER,SPRING	6		10				
28	36402025020	SPACER	1						
30	90191208025	BOLT	2		M8X25				
51	36402020000	POWER TAKE OFF	1						
52	31790880100	SUPPORT	1						
100	31792090000	POWER TAKE OFF	1						

TM-ZR260 41108210370A FRAME/STD,MANUAL,HOOK-IN

Pos No.	Parts No	Parts Name	Qty	Unit	Technical Data	Serial No (Start)	Serial No (End)	Remarks
1	36401995010	CASE	1					
2	36401995020	GEAR	1					
3	36402125010	SHAFT	1					
4	36400095040	SHAFT	1					
5	36400095050	COLLAR	1					
6	36401995040	GEAR	1					
7	36400095070	COVER (BEARING)	1					
8	36400095080	PACKING (COVER)	1					
9	36400095090	SHIM	N					
10	36401995050	SHIFTER ASSY	1					
11	36400095110	PACKING	1					
12	80500006206	BEARING,BALL	2					
13	91206030005	SEAL,OIL	1					
14	90191208014	BOLT	3		M8X14			
15	90191208020	BOLT	4		M8X20			
16	90101206012	BOLT	1		M6X12			
17	90302040801	WASHER,SPRING	7		8			
18	36400095130	WASHER	1					
19	36401745060	BEARING	2					
20	80602110470	RING,RITAINING	2		R47			
22	36400055070	PACKING	1					
23	36401995060	BOLT	4					
24	90267401000	NUT	4		M10			
25	90302041001	WASHER,SPRING	6		10			
26	90193510035	BOLT	2		M10X35			
28	90191208025	BOLT	2		M8X25			
50	36402120000	POWER TAKE OFF ASSY	1					
60	31791160100	SUPPORT	1					
100	31792240000	POWER TAKE OFF	1					

TM-ZR260 41108210370A FRAME/STD,MANUAL,HOOK-IN

Pos No.	Parts No	Parts Name	Qty	Unit	Technical Data	Serial No (Start)	Serial No (End)	Remarks
1	36402470510	CASE	1					
2	36402470520	GEAR	1					
3	36402470530	SHAFT	1					
4	36401125040	SLEEVE	1					
5	36401125050	SHIFTER SET	1					
6	36400095110	PACKING	1					
7	36400095070	COVER (BEARING)	1					
8	36400095080	PACKING (COVER)	1					
9	36400095090	SHIM	N					
10	36402470540	COLLAR	1					
11	80500006903	BEARING,BALL	1					
12	36401125080	BEARING,ROLLER	2					
13	36401125090	BEARING,NEEDLE	1					
14	91206030005	SEAL,OIL	1					
15	36401125100	RING,RETAINING	1					
16	90191208020	BOLT	4		M8X20			
17	90191208014	BOLT	3		M8X14			
18	90302040801	WASHER,SPRING	7		8			
20	36402015020	PACKING	2					
21	36402035040	BOLT	1		M10X1.5X120			
22	36402035050	BOLT	1		M10X1.5X110			
23	90191210050	BOLT	2		M10X50			
24	36402035010	BOLT,STUD	1					
25	36402035020	BOLT,STUD	1					
26	90267201000	NUT	2		M10			
27	90302041001	WASHER,SPRING	6		10			
28	36402470550	SPACER	1					
30	90191208025	BOLT	2		M8X25			
50	36402470000	POWER TAKE OFF ASSY	1					
60	31790990100	SUPPORT	1					
100	31792370000	POWER TAKE OFF	1					

TM-ZR260 41108210370A FRAME/STD,MANUAL,HOOK-IN

Pos No.	Parts No	Parts Name	Qty	Unit	Technical Data	Serial No (Start)	Serial No (End)	Remarks	Pages
1	31631221000	PLATE	1						
2	90171112022	BOLT	2		M12X22				
3	31631222000	CAP	1						
4	90302041201	WASHER,SPRING	2		12				

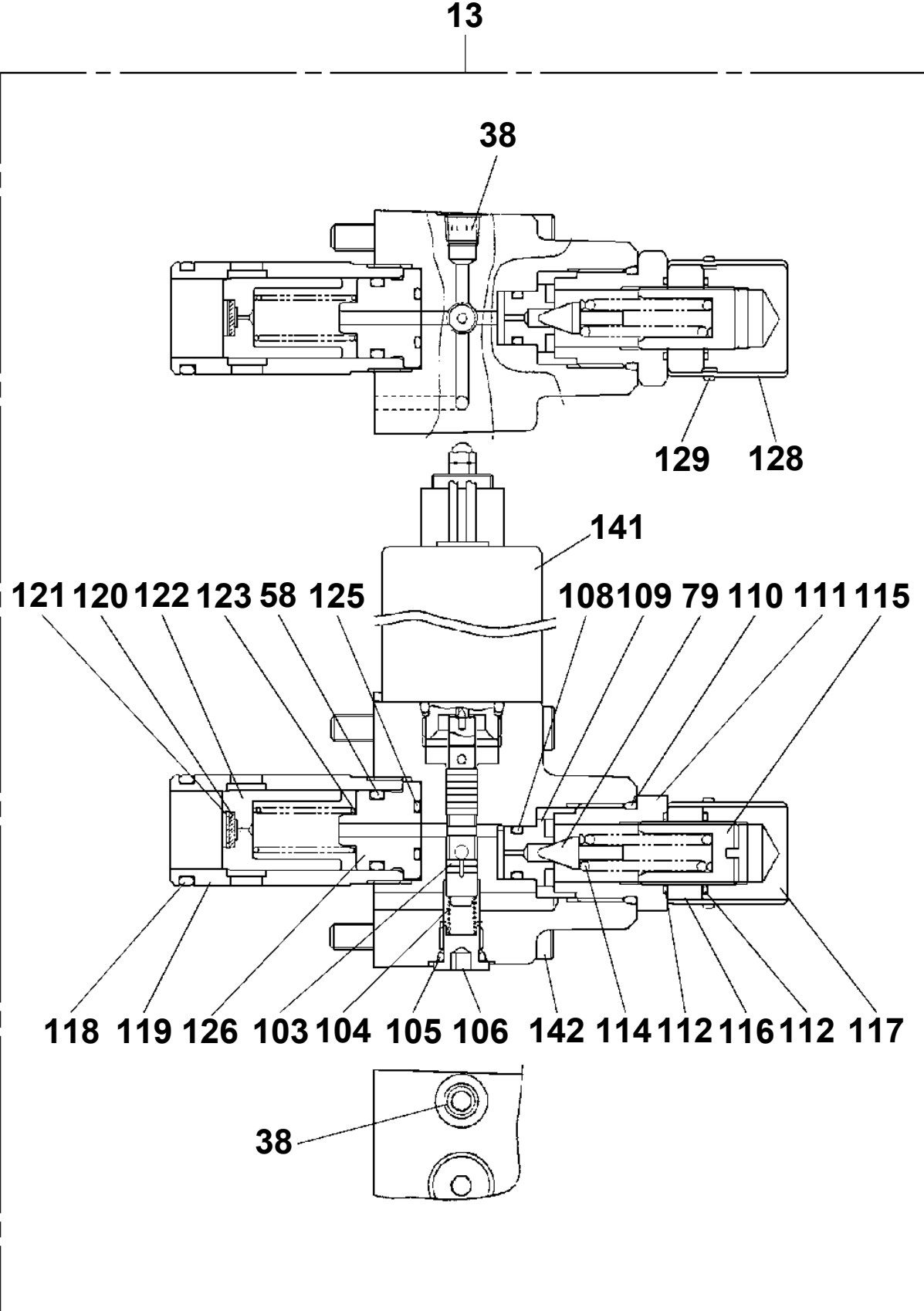
TM-ZR260 41108210370A FRAME/STD,MANUAL,HOOK-IN

Pos No.	Parts No	Parts Name	Qty	Unit	Technical Data	Serial No (Start)	Serial No (End)	Remarks	Page
1	31631121100	BODY	1						
2	31631121200	CORE	1						
3	91531208000	PACKING	2						
4	91100308000	RING,SEAL	7						
5	31631061000	RING,SLIP	1				EY5963		
6	90180208016	BOLT,BUTTON	2		M8X16				
7	90302040801	WASHER,SPRING	6		8				
8	90102208035	BOLT	4		M8X35				
9	90303070801	WASHER,PLAIN	6		8				
10	90302041001	WASHER,SPRING	4		10				
11	82114203020	CONNECTOR (CAP)	1						
12	82121502020	PLATE	1						
13	82114203030	CONNECTOR (CAP)	1						
14	82121502030	PLATE	1						
15	31631211300	SUPPORT	1						
16	90171110016	BOLT	4		M10X16				
17	82100002855	CAP	2						
50	31631211000	JOINT,ROTARY	1						

TM-ZR260 41108210370A FRAME/STD,MANUAL,HOOK-IN

Pos No.	Parts No	Parts Name	Qty	Unit	Technical Data	Serial No (Start)	Serial No (End)
1	31760460100	SUPPORT	1				
2	90101210035	BOLT	3		M10X35		
3	90302041001	WASHER,SPRING	3		10		
4	90201201000	NUT	3		M10		
5	31760460200	LINK	1				
6	90101204020	BOLT	2		M4X20		
7	90201200400	NUT	2		M4		
8	90303070401	WASHER,PLAIN	4		4		
9	90302040401	WASHER,SPRING	2		4		
10	36637040001	VALVE,MANUAL CONTROL (DUMP)	1				
11	52243104000	SUPPORT	1				

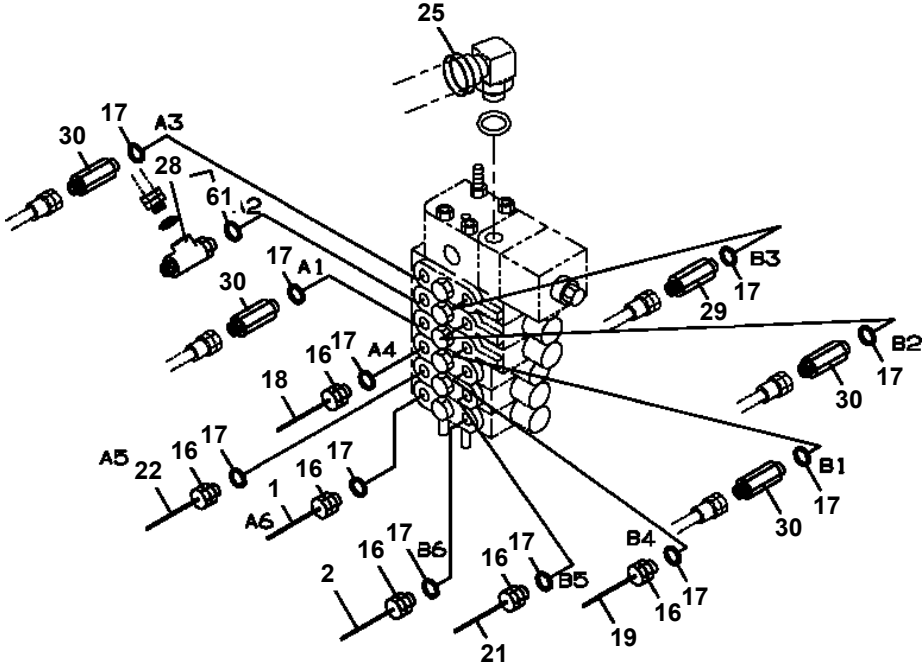
TM-ZR260 41108210370A FRAME/STD,MANUAL,HOOK-IN
PB1320542-01 VALVE,MANUAL CONTROL (MAIN/NABCO)



TM-ZR260 41108210370A FRAME/STD,MANUAL,HOOK-IN

Pos No.	Parts No	Parts Name	Qty	Unit	Technical Data	Serial No (Start)	Ser
1	91002801400	O-RING	3		1B P14		
2	37000912810	JOINT	1				
3	31641050100	JOINT	1				
4	36671630000	JOINT ASSY,SELF SEAL	1				
5	80430620800	JOINT	2				
6	37000924860	JOINT	1				
7	37002509270	HOSE	1		L=860		
8	37002453040	HOSE	1		L=1510		
9	90191208025	BOLT	3		M8X25		
10	90302040801	WASHER,SPRING	3		8		
11	80400160203	JOINT (WITH O-RING)	1				
12	80400160182	JOINT (WITH O-RING)	1				
13	91803600400	CLIP	2		D=27-40		
14	37000924320	JOINT	1				
15	91002801800	O-RING	2		1B P18		
16	36635830000	VALVE,MANUAL CONTROL (R/J+SERVICE PORT)	1				
17	80481103020	JOINT	2		PF3/8-PF1/4		
18	80491303020	JOINT (WITH O-RING)	2		L,G3/8-G1/4		
19	91810130250	FASTENER	1				
31	36671635010	JOINT,SELF SEALING	1				
32	36671635020	JOINT,SELF SEALING	1				
41	91002801800	O-RING	3		1B P18		
51	91002802900	O-RING	1		1B P29		
61	91002801400	O-RING	2		1B P14		

TM-ZR260 41108210370A FRAME/STD,MANUAL,HOOK-IN
PB1411086-00 PIPING,LOWER



A

TM-ZR260 41108210370A FRAME/STD,MANUAL,HOOK-IN

Pos No.	Parts No	Parts Name	Qty	Unit	Technical Data	Serial No (Start)	Serial No (End)	Remarks	Pages
1	36646380001	VALVE,SOLENOID	1						00015
2	90101208035	BOLT	2		M8X35				
3	90302040801	WASHER,SPRING	2		8				
4	37000805590	FITTING,FLANGE	1						
5	80302090101	FITTING	4		KCO10-020N				
6	91002801100	O-RING	6		1B P11				
7	80302090121	FITTING	2		KCO10-030N				
8	91002801400	O-RING	2		1B P14				
9	81408000100	PIPE,STEEL	1	M	10X1.2T				
10	81408000100	PIPE,STEEL	1	M	10X1.2T				
11	81408000100	PIPE,STEEL	2	M	10X1.2T				
12	81408000100	PIPE,STEEL	1	M	10X1.2T				
13	37000924350	FITTING	2						
22	80316030020	PLUG	2		PT1/8				

TM-ZR260 41108210370A FRAME/STD,MANUAL,HOOK-IN

Pos No.	Parts No	Parts Name	Qty	Unit	Technical Data	Serial No (Start)	Serial No (End)
1	91001101000	O-RING	2		1A P10		EY3172
	91002801000	O-RING	2		1B P10	EY3173	
2	90172110035	BOLT,HEXAGON SOCKET	2		M10X35		
3	36623930000	VALVE,PILOT CHECK	1				
4	36033640000	CYLINDER ASSY,JACK	1				
5	80491002020	JOINT (WITH O-RING)	2				
21	91002902500	O-RING	1		1B G25		
22	91350206000	BEARING,PLAIN (WITH PACKINGX2)	1				
23	36033643000	PISTON	1				
24	36033642000	ROD	1				
25	36033641000	CYLINDER	1				
26	36013823200	COVER,ROD	1				
27	91002905500	O-RING	1		1B G55		
28	91694004500	PACKING	1				
29	91410204502	RING,BACKUP	1				
30	91660004501	SEAL,DUST	1				
41	36033169910	PACKING SET	1		45X60		
51	91002801100	O-RING	2		1B P11		

TM-ZR260 41108210370A FRAME/STD,MANUAL,HOOK-IN

Pos No.	Parts No	Parts Name	Qty	Unit	Technical Data	Serial No (Start)	Serial No (E
1	36031780100	CYLINDER	1				
2	90211203000	NUT	1		M30X3/2		
3	36032110300	PISTON	1				
4	91350207500	BEARING,PLAIN (WITH PACKINGX2)	1				
5	91002903000	O-RING	1		1B G30		
6	36010130080	COVER,ROD	1				
7	91002907000	O-RING	1		1B G70		
8	91694006000	PACKING	1				
9	91660006001	SEAL,DUST	1				
10	36036221000	ROD	1				
20	36033739900	PACKING SET	1		60X75		
50	36036220000	CYLINDER,JACK (WELDED STRUCTURE)	1				

TM-ZR260 41108210370A FRAME/STD,MANUAL,HOOK-IN

Pos No.	Parts No	Parts Name	Qty	Unit	Technical Data	Serial No (Start)	Serial No (End)
1	36031780100	CYLINDER	1				
2	90211203000	NUT	1		M30X3/2		
3	36032110300	PISTON	1				
4	91350207500	BEARING,PLAIN (WITH PACKINGX2)	1				
5	91002903000	O-RING	1		1B G30		
6	36010130080	COVER,ROD	1				
7	91002907000	O-RING	1		1B G70		
8	91694006000	PACKING	1				
9	91660006001	SEAL,DUST	1				
10	36036550500	ROD	1				
30	36033909900	PACKING SET	1		60X75		
50	36036540000	CYLINDER,JACK (FRICTION-WELDED)	1				

TM-ZR260 41108210370A FRAME/STD,MANUAL,HOOK-IN

Pos No.	Parts No	Parts Name	Qty	Unit	Technical Data	Serial No (Start)	Serial No (End)	Remarks
1	37000147840	PIN	11					
2	80620210050	PIN,SNAP	11					
3	31701550200	ROD ASSY	2					
4	31701550100	SUPPORT	1					
5	37000165020	PIN	2					
6	80136340020	PIN,SPLIT	3		4X20			
7	37000165040	PIN	1					
8	31701581100	END	2					
9	90203200800	NUT	2		M8			
10	31701581500	LINK	2					
11	31701580701	LEVER	1					
12	31701580801	LEVER	1					
13	31323330100	KNOB (BLACK)	5					
14	31701581200	SUPPORT	1					
15	90131510020	BOLT,HEXAGON SOCKET	2		M10X20			
16	90302041001	WASHER,SPRING	6		10			
17	90201201000	NUT	4		M10			
18	31701580201	LEVER	1					
19	31701580101	LEVER	1					
20	31701581700	SUPPORT	1					
21	31701581300	SUPPORT	1					
22	31701581400	SUPPORT	1					
23	31701581600	LINK	2					
24	90101210018	BOLT	3		M10X18			
25	90303071201	WASHER,PLAIN	2		12			
26	90101208016	BOLT	2		M8X16			
27	90302040801	WASHER,SPRING	4		8			
28	90201200800	NUT	2		M8			
29	31701580901	LEVER	1					
41	31701550250	ROD	2					
42	90203200800	NUT	2		M8			
43	31320810210	END	2					

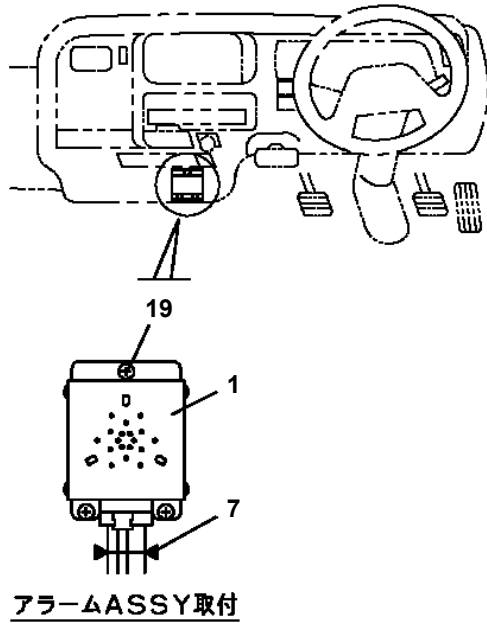
TM-ZR260 41108210370A FRAME/STD,MANUAL,HOOK-IN

Pos No.	Parts No	Parts Name	Qty	Unit	Technical Data	Serial No (Start)	Serial No (End)
2	37001504630	BOLT	15		M18X70		
3	37001500240	BOLT	8		M16X50		
4	90171108016	BOLT	4		M8X16		
5	90171114035	BOLT	4		M14X35		
6	90302041401	WASHER,SPRING	4		14		
7	36080640000	REDUCER,SWING SPEED	1				EY1648
8	91001209000	O-RING	1		1A G90		
9	90172112035	BOLT,HEXAGON SOCKET	2		M12X35		
10	90302041201	WASHER,SPRING	2		12		
11	36663090000	MOTOR,HYDRAULIC (SWING)	1				
21	37002304230	BEARING,SWING (KOYO)	1				
	37002304240	BEARING,SWING (NIHON MONORESUS)	1				EY5174

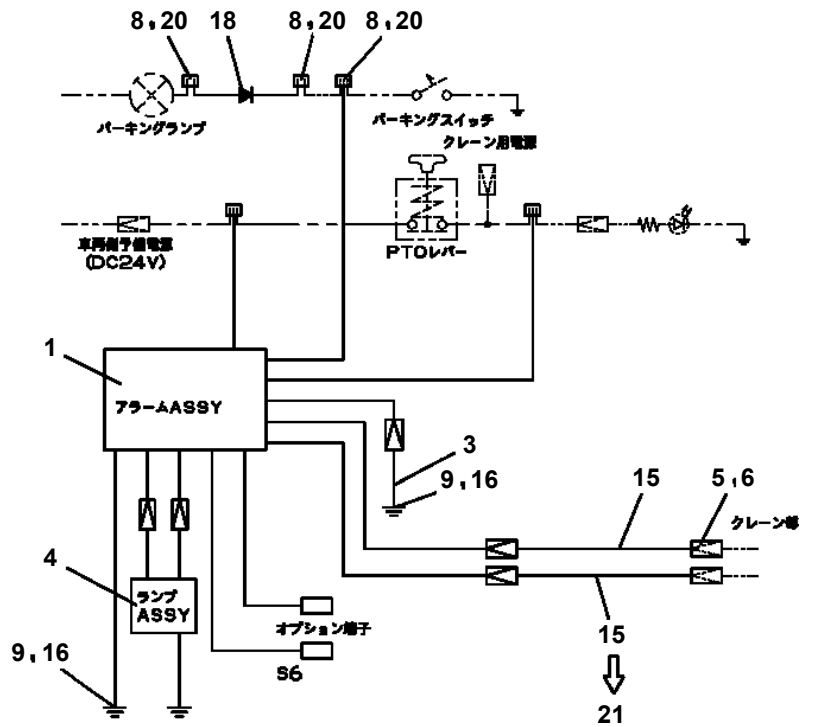
TM-ZR260 41108210370A FRAME/STD,MANUAL,HOOK-IN

Pos No.	Parts No	Parts Name	Qty	Unit	Technical Data	Serial No (Start)	Serial No (End)	Remarks	Page
1	31500701100	HARNESS	1						
2	82100002596	RELAY	1						
3	31473744700	HARNESS (L=1000)	1						00014
4	91810130240	FASTENER	4						
5	44630111170	SPACER	1						
6	90186206045	BOLT,FLANGE	1		M6X45				
7	90303070601	WASHER,PLAIN	1		6				

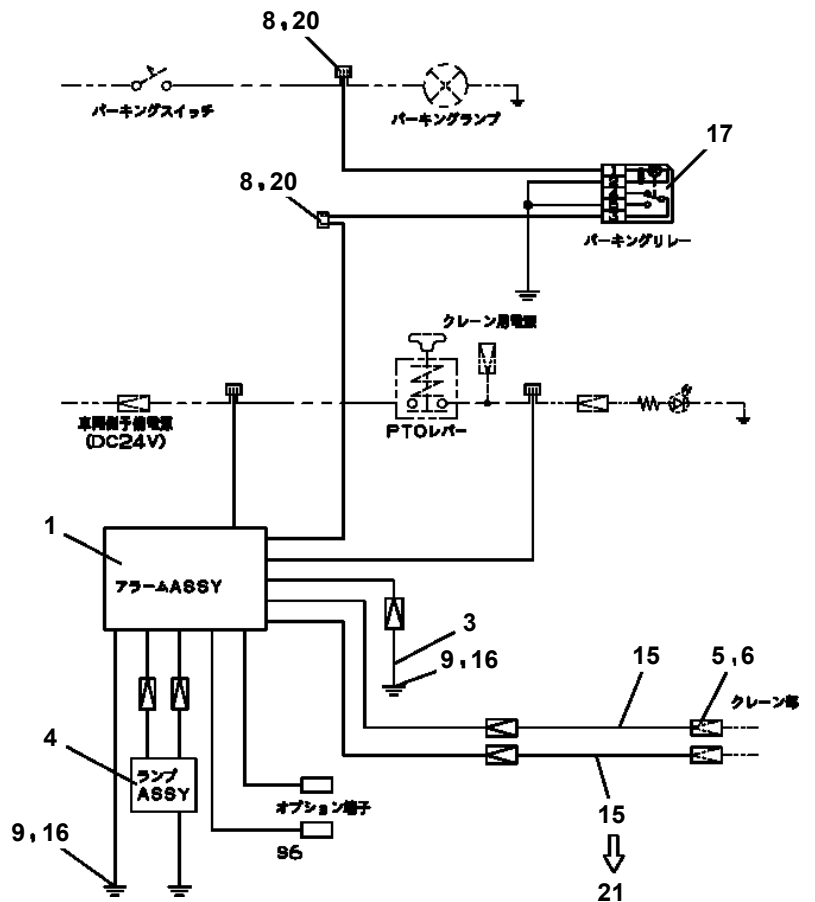
TM-ZR260 41108210370A FRAME/STD,MANUAL,HOOK-IN
PE5020793-01 ELEC.ASSY (CARRIER)



Pタイプ：パーキングランプの下流にパーキングスイッチがある場合



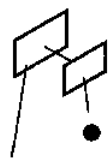
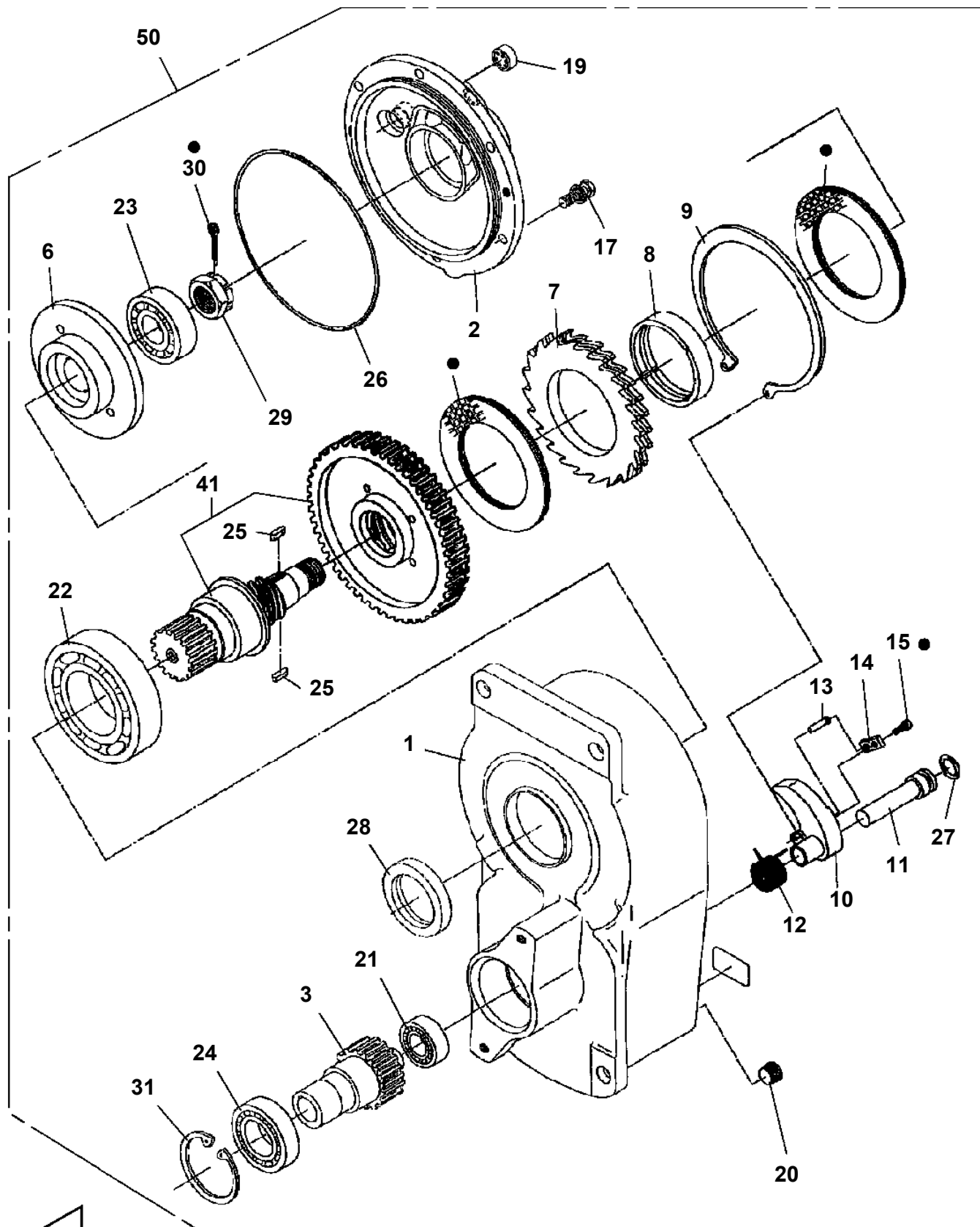
Rタイプ：パーキングランプの上流にパーキングスイッチがある場合



TM-ZR260 41108210370A FRAME/STD,MANUAL,HOOK-IN

Pos No.	Parts No	Parts Name	Qty	Unit	Technical Data	Serial No (Start)	Serial No (End)	Remarks
1	36072255010	CASING	1					
2	36072255020	COVER	1					
3	36072255030	GEAR (1)	1					
6	36072255060	DISK	1					
7	36072255071	WHEEL,RATCHET	1					
8	36072255080	BUSH	1					
9	36072255091	RING,SLIP	1					
10	36072255101	RATCHET	1					
11	36072255110	PIN	1					
12	36072255120	SPRING	1					
13	36072255130	PIN	1					
14	36072255140	PLATE (LOCK)	1					
15	80172304010	SCREW,MACHINE	1		M4X10			
17	36072255160	BOLT (WITH WASHER)	6		M8X25			
19	36072255180	GAUGE,OIL	1					
20	80205000300	PLUG	1		PT3/8		EY1729	
21	80500006004	BEARING,BALL	1					
22	80500006212	BEARING,BALL	1					
23	80500006305	BEARING,BALL	1					
24	80500006007	BEARING,BALL	1					
25	36072255190	KEY	2		7X7X20			
26	36072255200	O-RING	1				EY1729	
27	91001101500	O-RING	1		1A P15			
28	36072255210	SEAL,OIL	1					
29	36072255220	NUT,CASTLE	1		M24			
30	80136350035	PIN,SPLIT	1		5X35			
31	80602110620	RING,RITAINING	1		R62			
41	36072255230	GEAR SET	1					
50	36072250000	WINCH (OOKUBO)	1					
101	36072251000	FACING KIT(JAPANESE)	1					
102	36072252000	FACING KIT (ENGLISH)	1					

**TM-ZR260 41108210370A FRAME/STD,MANUAL,HOOK-IN
PF1010237-01 WINCH (OOKUBO)**

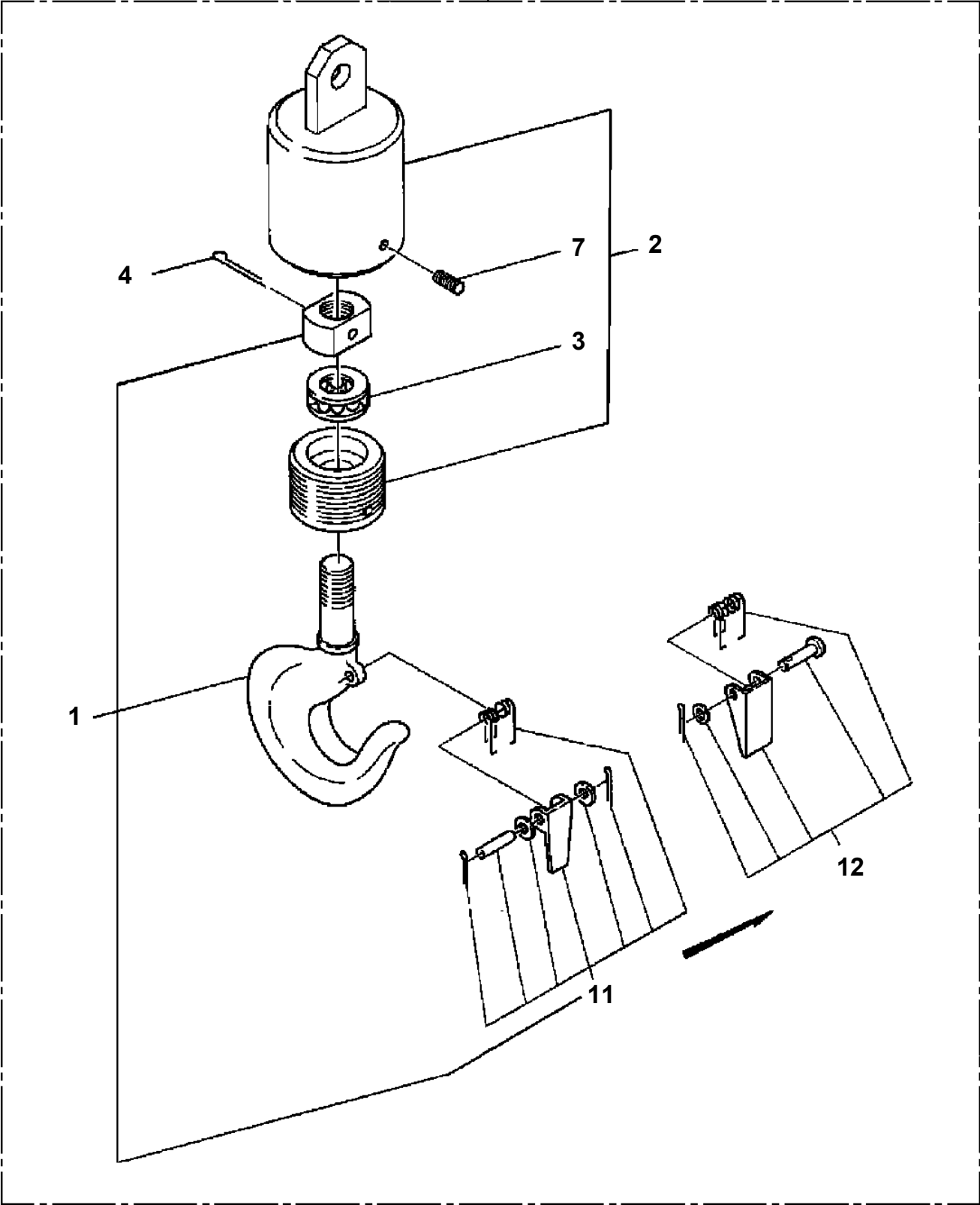


● Protective seal
● Replacement interval name plate

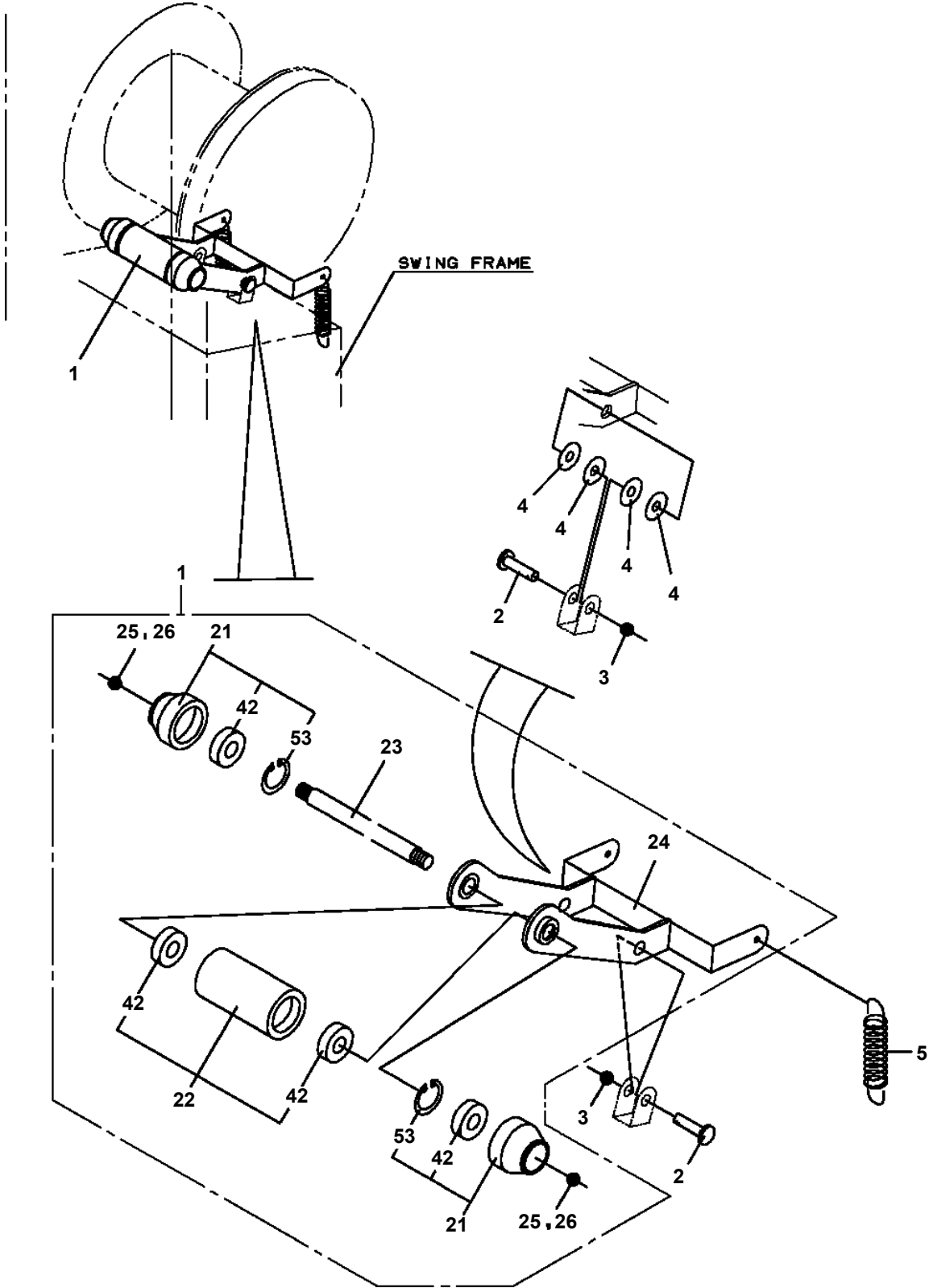
● : FACING KIT KEY NO.101 (JAPANESE)
● : FACING KIT KEY NO.102 (ENGLISH)

TM-ZR260 41108210370A FRAME/STD,MANUAL,HOOK-IN
PF1050161-03 HOOK (1-PART LINE ,OPTION)

20

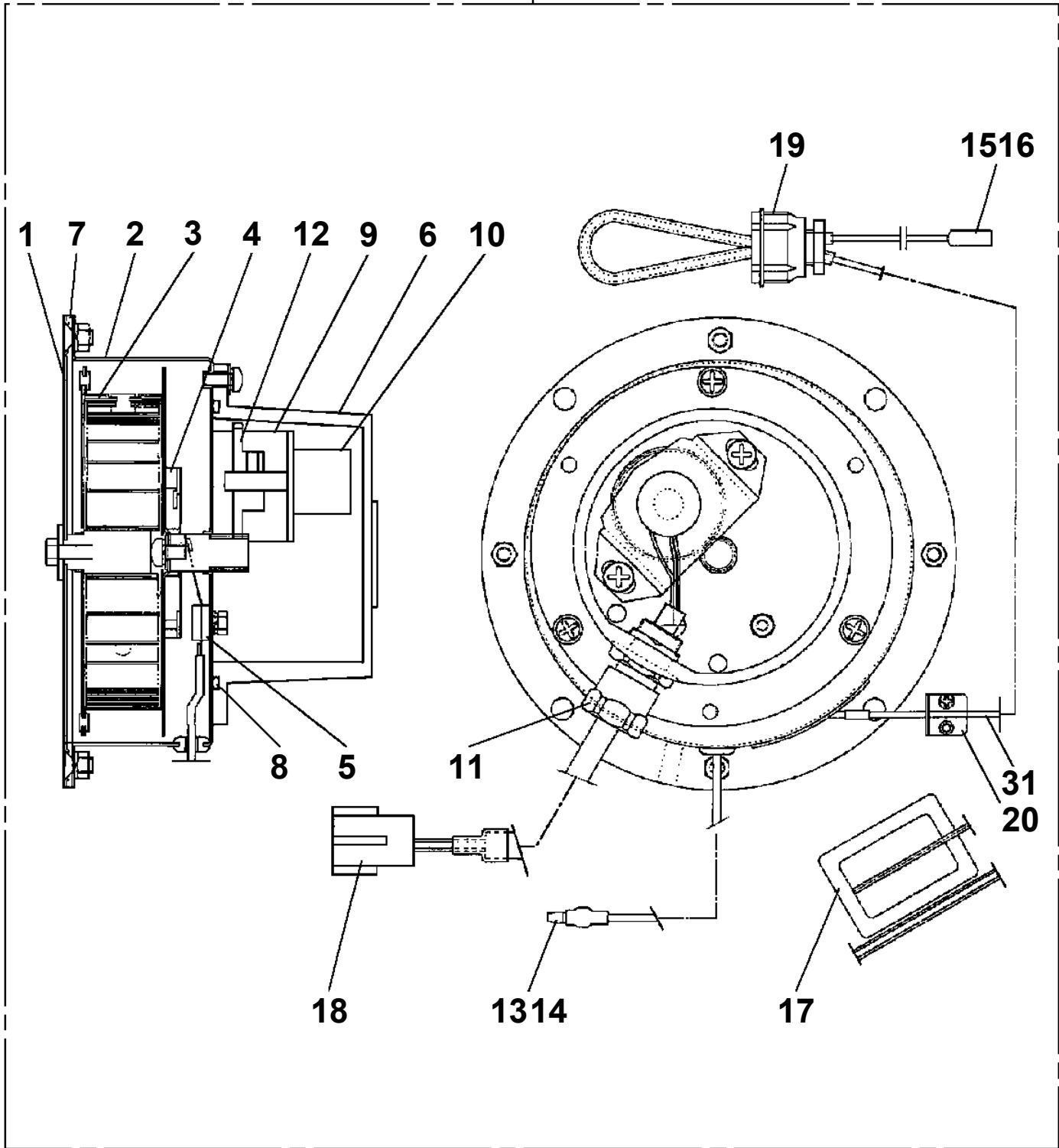


TM-ZR260 41108210370A FRAME/STD,MANUAL,HOOK-IN
PF1180066-01 DETECTOR,DISORDERLY WINDING

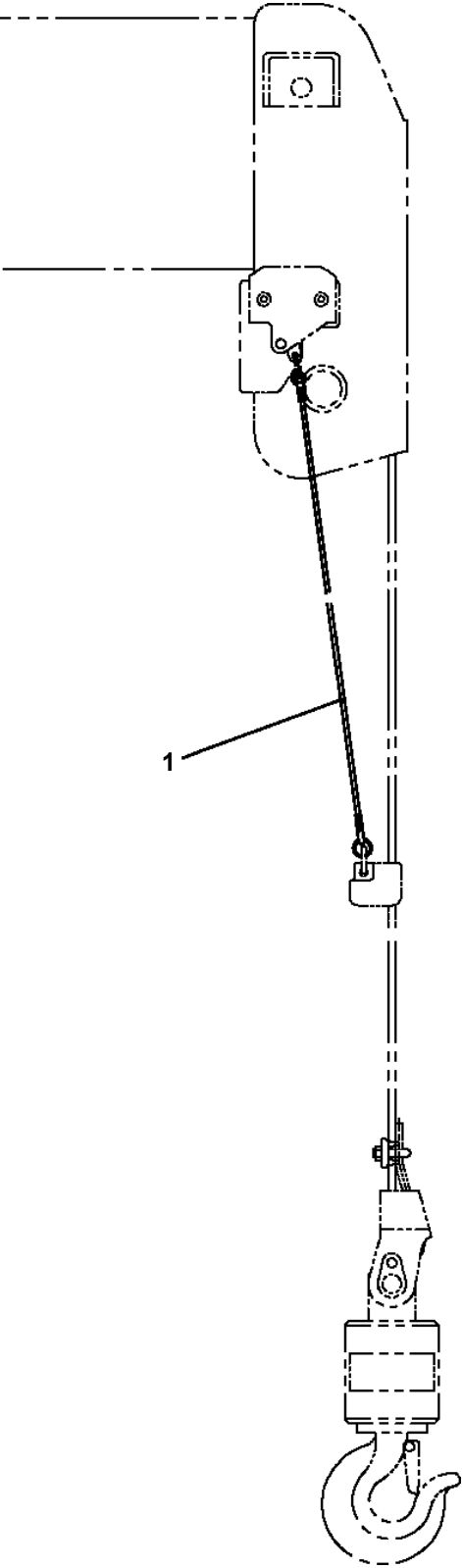


TM-ZR260 41108210370A FRAME/STD,MANUAL,HOOK-IN
PG1130134-00 DETECTOR,BOOM LENGTH

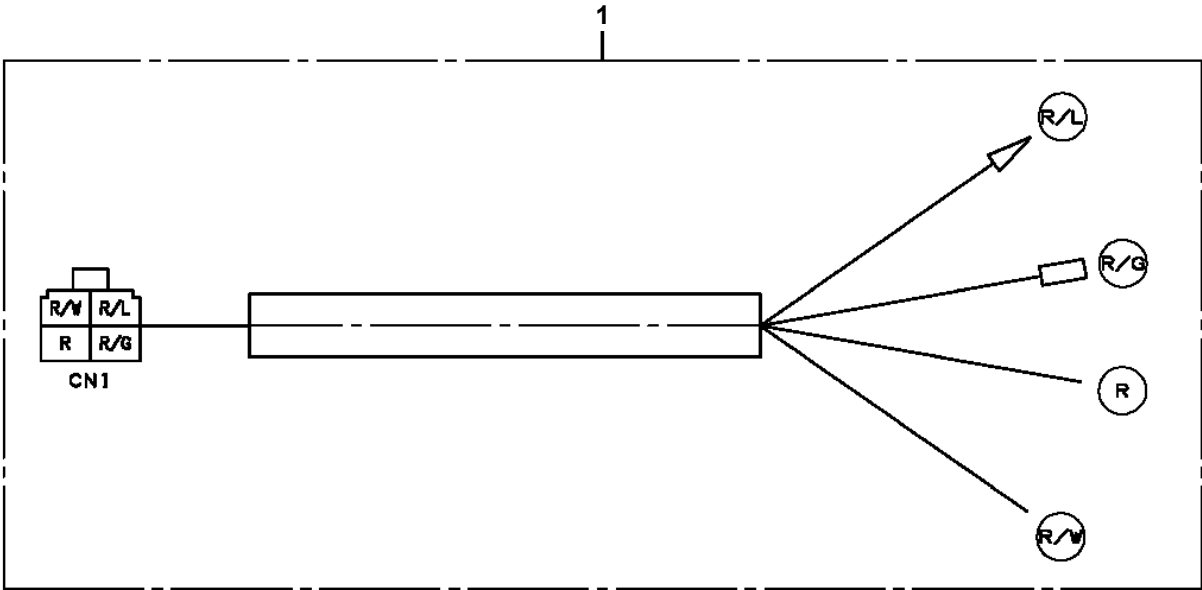
100



**TM-ZR260 41108210370A FRAME/STD,MANUAL,HOOK-IN
PH1060338-00 DETECTOR,OVER WINDING**



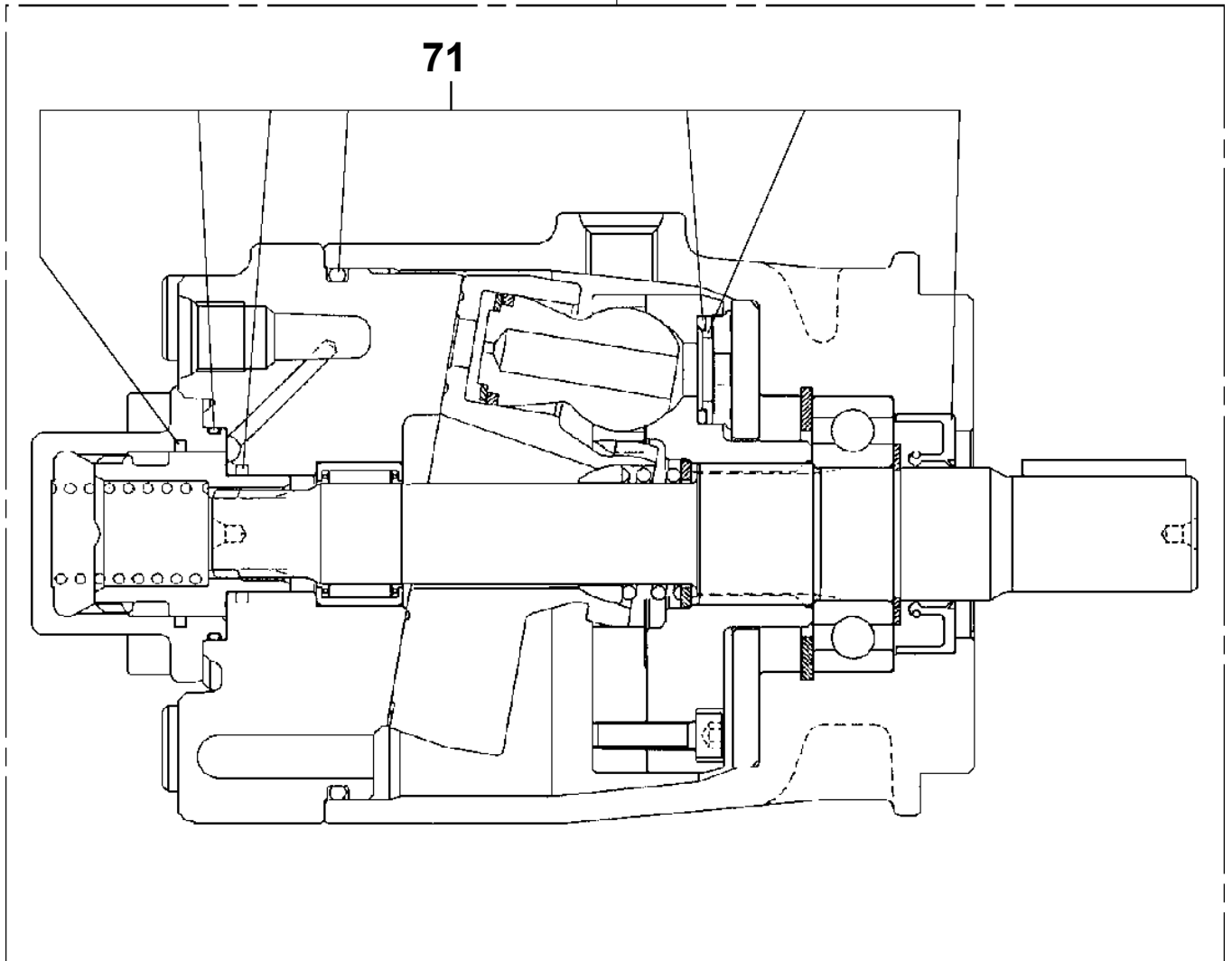
TM-ZR260 41108210370A FRAME/STD,MANUAL,HOOK-IN
PH5033263-00 HARNESS



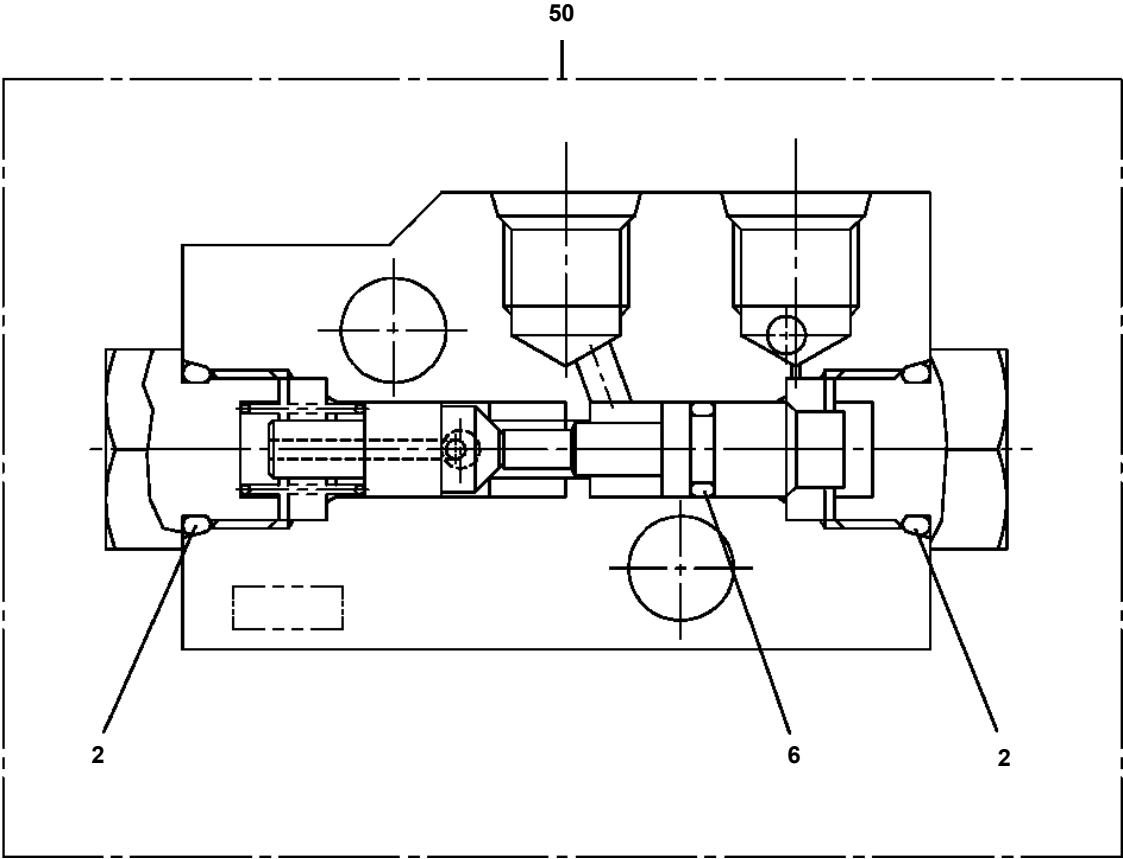
**TM-ZR260 41108210370A FRAME/STD,MANUAL,HOOK-IN
PI1010167-00 MOTOR,HYDRAULIC (SWING)**

100

71



**TM-ZR260 41108210370A FRAME/STD,MANUAL,HOOK-IN
PI1280051-00 VALVE,PILOT CHECK**



CLICK HERE TO **DOWNLOAD** THE COMPLETE MANUAL

- Thank you very much for reading the preview of the manual.
- You can download the complete manual from: www.heydownloads.com by clicking the link below



- Please note: If there is no response to CLICKING the link, please download this PDF first and then click on it.

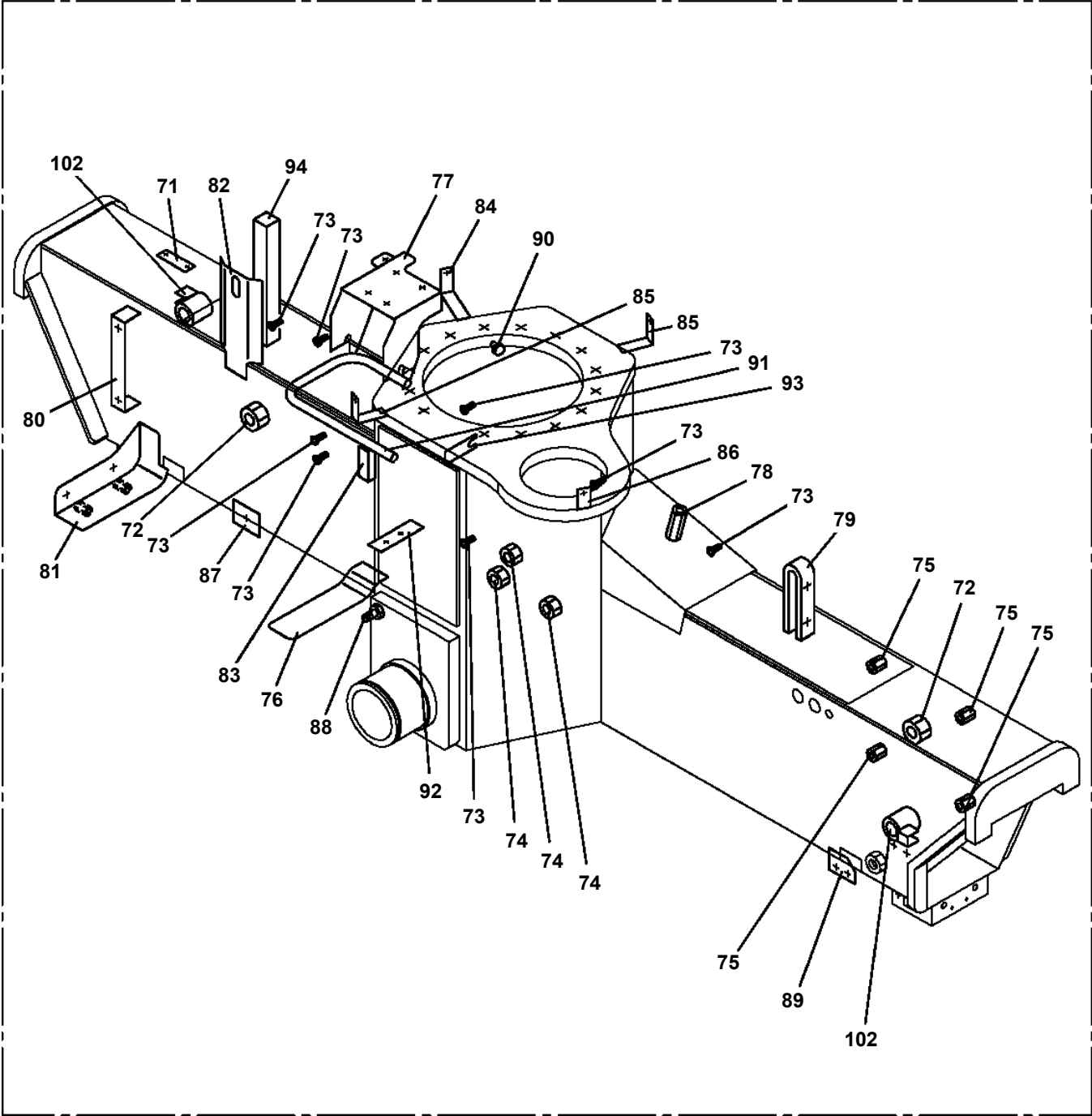
CLICK HERE TO **DOWNLOAD** THE COMPLETE MANUAL

TM-ZR260 41108210370A FRAME/STD,MANUAL,HOOK-IN
PJ3410018-01 LOCK ASSY

指示番号 KEY NO.	ロックASSY (トウナンホ ^o ウシソウチ/Fカ ^o タラジ ^o コンイカ ^o イ)
1	マウント MOUNT
2	パイピング ^o PIPING
3	ハイセンASSY ELEC.ASSY

TM-ZR260 41108210370A FRAME/STD,MANUAL,HOOK-IN
PK1011027-00 FRAME

1



TM-ZR260 41108210370A FRAME/STD,MANUAL,HOOK-IN

Pos No.	Parts No	Parts Name	Qty	Unit	Technical Data	Serial No (Start)	Se
1	(*****)	FRAME	1				ET
	(*****)	FRAME	1			ET8103	EY
	(*****)	FRAME	1			EY3080	
2	(*****)	TANK,OIL (MOUNT)	1				
3	(*****)	REDUCER,SWING SPEED (MOUNT)	1				ET
	(*****)	REDUCER,SWING SPEED (MOUNT)	1			ET6879	
4	(*****)	COVER,BEARING	1				
5	31631210000	JOINT,ROTARY	1				ET
	31631650000	JOINT,ROTARY	1			ET6483	
6	(*****)	STOPPER,ROTARY JOINT	1				
7	(*****)	SWING FRAME	1				
8	31241000000	CYLINDER,ELEVATING	1				
9	(*****)	MOUNT,WINCH	1				
10	(*****)	PIPING,UPPER	1				
12	(*****)	OPE.ASSY,CONT.VALVE (CRANE)	1				ET
	(*****)	OPE.ASSY,CONT.VALVE (CRANE)	1			ET8103	
15	(*****)	OPE.ASSY,OUTRIGGER	2				
21	(*****)	PIPING,LOWER	1				ET
	(*****)	PIPING,LOWER	1			ET6879	
22	(*****)	PIPING,LOWER (VALVE/NABCO)	1				ET
	(*****)	PIPING,LOWER (VALVE/NABCO)	1			ET6879	
24	(*****)	ELEC.ASSY	1				
25	(*****)	ELEC.ASSY (SWITCH COVER)	1				
27	36682360001	METER,LOAD (2.6TON ENG& APANESE/KUSABA)	1				
	36682370001	METER,LOAD (2.6TON ENG&JAPANESE/NAGANO)	1				
29	(*****)	CYLINDER,JACK (MIN=661/WITHOUT FLOAT)	2				
	(*****)	CYLINDER,JACK (MIN=670/WITH FLOAT)	2				
	(*****)	CYLINDER,JACK (MIN=600/WITH FLOAT)	2				
33	(*****)	DETECTOR,DISORDERLY WINDING	1				

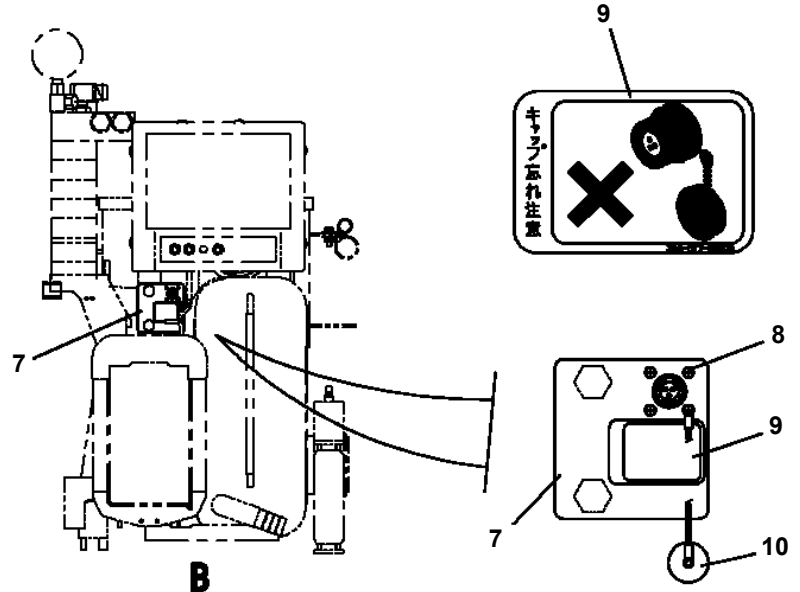
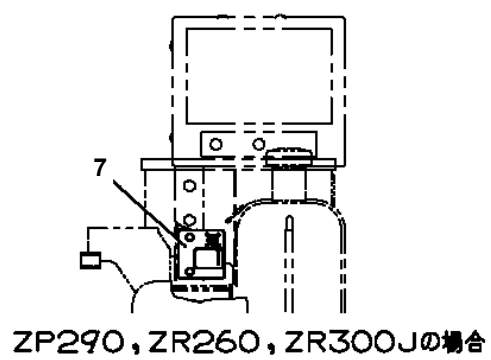
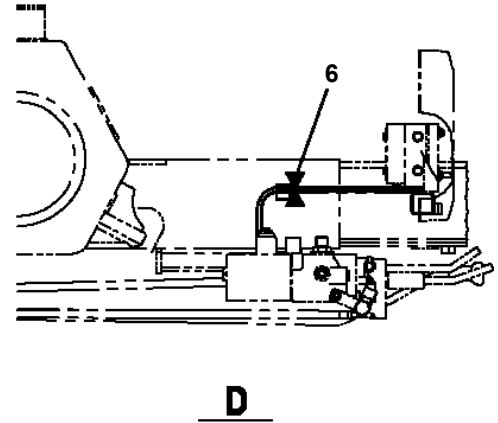
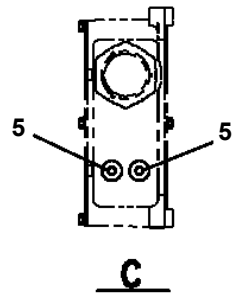
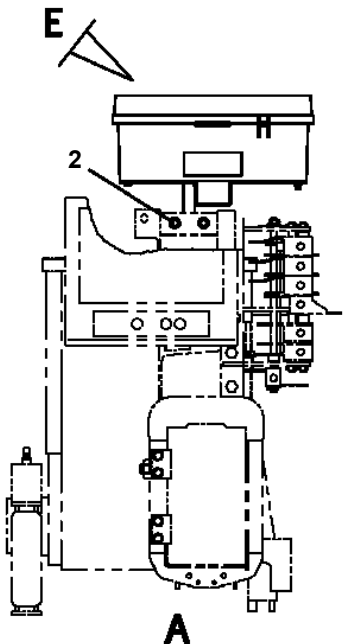
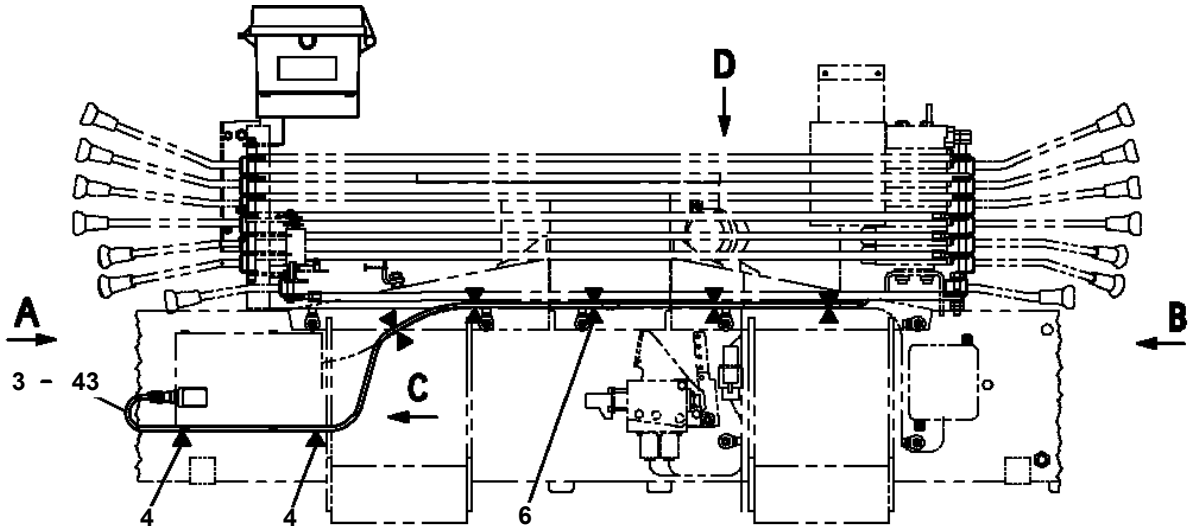
TM-ZR260 41108210370A FRAME/STD,MANUAL,HOOK-IN

Pos No.	Parts No	Parts Name	Qty	Unit	Technical Data	Serial No (Start)	Serial No (End)	Re
1	90171110016	BOLT	4		M10X16			
2	90302041001	WASHER,SPRING	6		10			
4	37000105610	PIN	17		L=18		EL9351	
	37000105610	PIN	19		L=18	EL9352		
5	80620210050	PIN,SNAP	28				EL9351	
	80620210050	PIN,SNAP	26			EL9352		
6	37001300530	SPRING	2					
7	31322222100	ROD ASSY	1					
8	31322100100	SUPPORT	1					
9	31323752100	ROD ASSY	1					
10	31323752200	ROD ASSY	2					
11	31323402000	ROD ASSY	1					
12	37000164970	PIN	1					
13	31322224200	PLATE	10		L=1			
14	80136840020	PIN,SPLIT	2		4X20			
15	31323330750	LEVER	1					
16	31323330650	LEVER	1					
17	31323330550	LEVER	1					
18	31323330450	LEVER	1					
19	31323330350	LEVER	1					
20	31323330250	LEVER	1					
21	31323330150	LEVER	1					
22	31323330100	KNOB (BLACK)	9					
23	31323330200	KNOB (RED)	2					
24	31322050600	BOLT	1					
25	90303071201	WASHER,PLAIN	2		12			
26	90309331205	WASHER,CONICAL SPRING	2		L12			
27	90203201200	NUT	2		M12			
28	37000311190	SPACER	1		L=16			
29	12434402040	SPRING	1					
30	80172305008	SCREW,MACHINE	2		M5X8			
32	80136850025	PIN,SPLIT	1		5X25			
33	90101208040	BOLT	1		M8X40			
34	31320020010	KNOB (BLACK)	2					
35	90186210014	BOLT,FLANGE	1		M10X14			
37	90172110018	BOLT,HEXAGON SOCKET	2		M10X18			
38	90303071001	WASHER,PLAIN	2		10			
39	31323410400	ROD ASSY	1					
40	37001708080	CABLE,CONTROL	1					
41	31323130500	LEVER	1					
42	31323130600	LEVER	1					
43	37000171010	PIN	5					
44	91810130240	FASTENER	1					
45	37000147840	PIN	2				EL9351	
46	90101212085	BOLT	2		M12X85			
47	90202401200	NUT	2		M12			
48	37000311510	SPACER	3		L=30			
50	37000551250	PLATE	3					
51	37000562510	PLATE	1		T=0.5			
52	31322380200	PIN	1					
53	31323752300	ROD ASSY	3					
54	31323673550	LEVER	1					
55	31323673500	LEVER	1					
56	31323673450	LEVER	1					
57	37000176930	PIN	1					
58	31322222000	ROD ASSY	2					
59	31396801201	PLATE,NAME	2					
60	31396801101	PLATE,NAME	1					
61	80136820010	PIN,SPLIT	2		2X10	EL9352		
71	31323751100	SUPPORT	1					
72	31322031150	SUPPORT	1					
73	90186208010	BOLT,FLANGE	2		M8X10			
74	31323331500	SUPPORT	1				ET6085	

TM-ZR260 41108210370A FRAME/STD,MANUAL,HOOK-IN

Pos No.	Parts No	Parts Name	Qty	Unit	Technical Data	Serial No (Start)	Serial No (End)	Remarks	Pages
1	31503580200	SPACER	1						
2	31201565200	PIN	1						
3	31202515700	LINK	1						
50	31503580000	LINK ASSY	1						

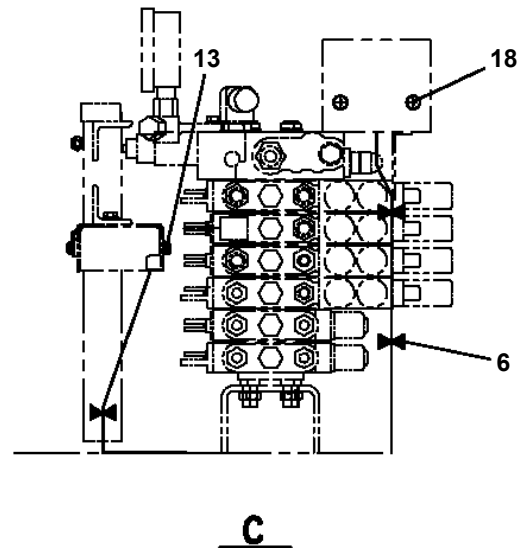
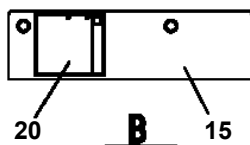
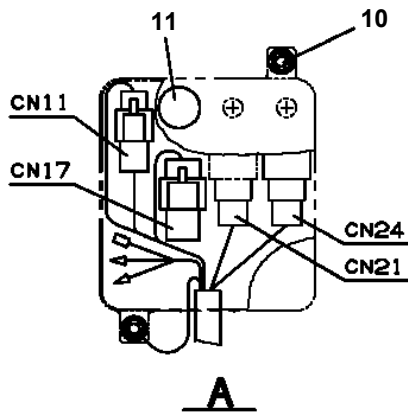
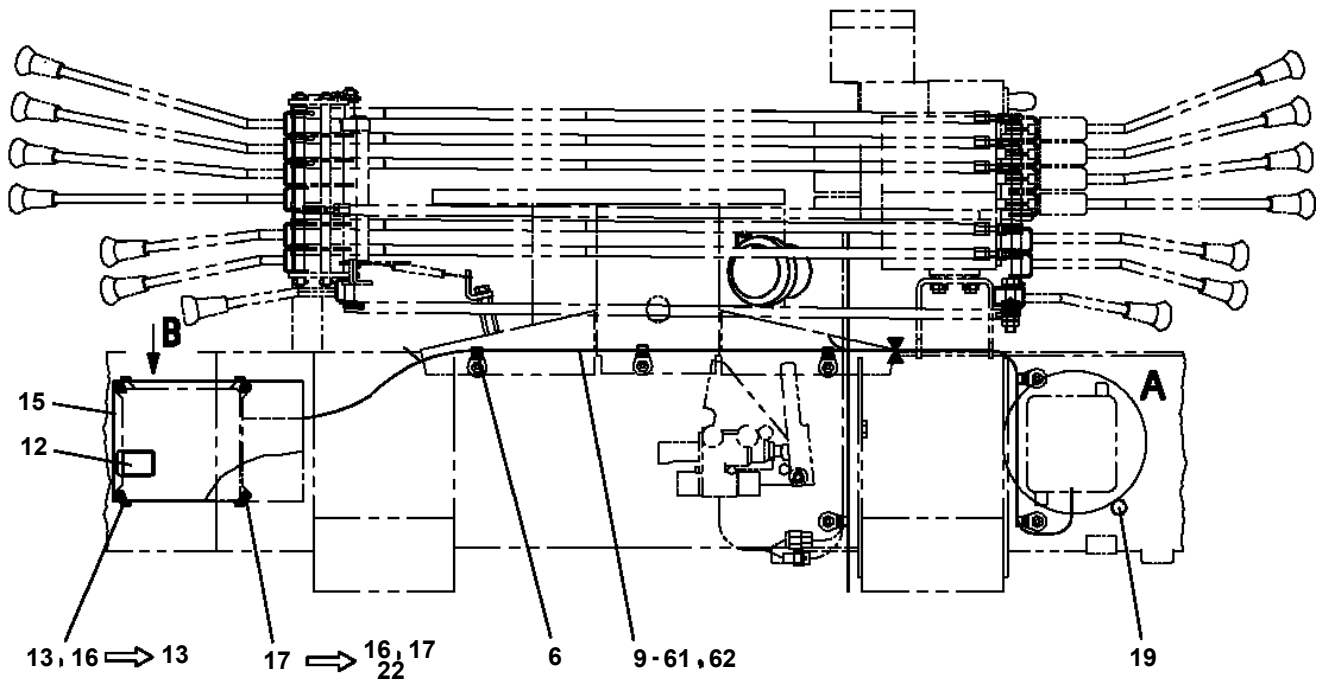
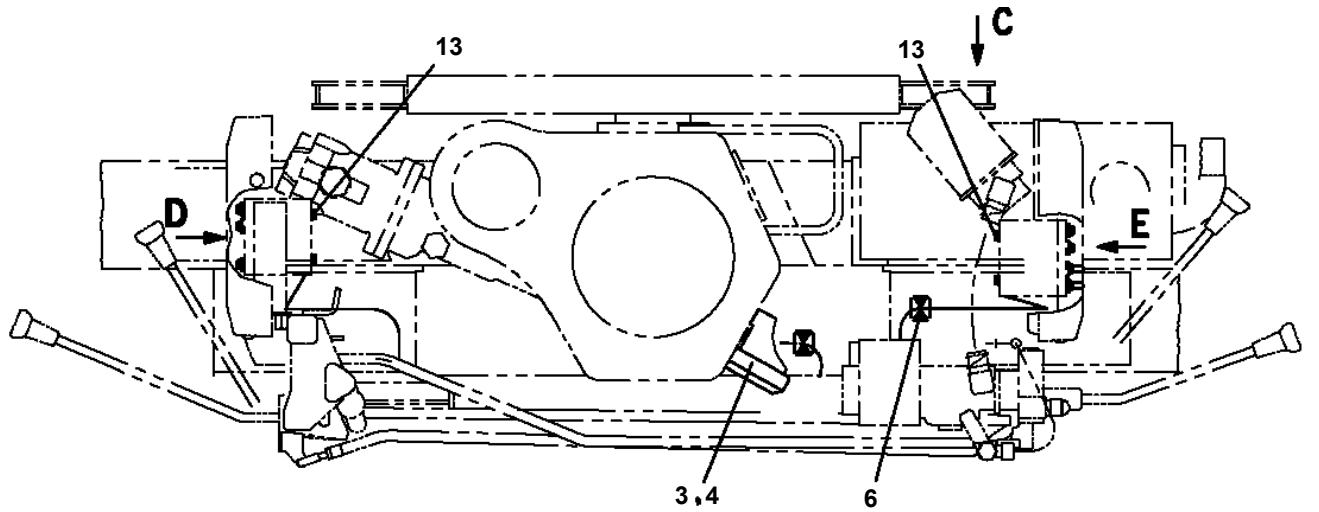
TM-ZR260 41108210370A FRAME/STD, MANUAL, HOOK-IN
 PN1012325-03 ELEC. ASSY (REMOTE CONTROL)



TM-ZR260 41108210370A FRAME/STD,MANUAL,HOOK-IN

Pos No.	Parts No	Parts Name	Qty	Unit	Technical Data	Serial No (Start)	Serial No (End)	Ren
1	31476062200	HARNESS	1					
2	91810130240	FASTENER	8					
3	31477311200	SWITCH ASSY (PLATING:NACC)	1					
4	31477311100	PLATE,NAME	1					
5	82197518119	CAP (PLUS ONE MFG./BLACK)	1					
	82197518114	CAP (MATSUSHITA/BLACK)	1					
6	31477372100	HARNESS	1					
7	91850310405	CLAMP (BLACK)	2					

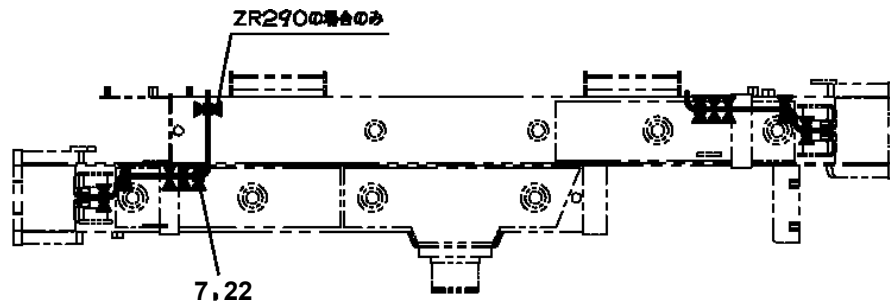
TM-ZR260 41108210370A FRAME/STD,MANUAL,HOOK-IN
 PN1012495-02 ELEC.ASSY (RADIO CONTROL/HOOK-IN)



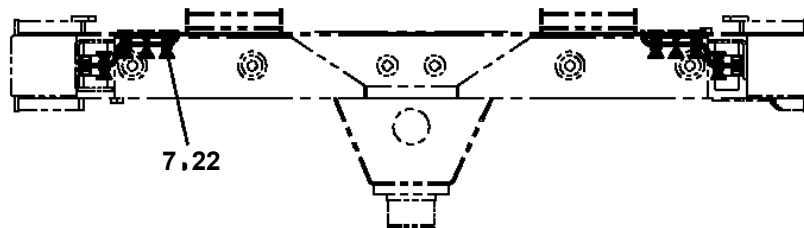
TM-ZR260 41108210370A FRAME/STD,MANUAL,HOOK-IN

Pos No.	Parts No	Parts Name	Qty	Unit	Technical Data	Serial No (Start)	Serial No (End)	Remarks	Pages
1	31500891100	HARNESS	1						
2	31500891200	HARNESS	1						
3	31500891300	HARNESS	1						
4	31500891400	HARNESS	1						
5	91850310305	CLAMP	2						
6	91810130240	FASTENER	2						

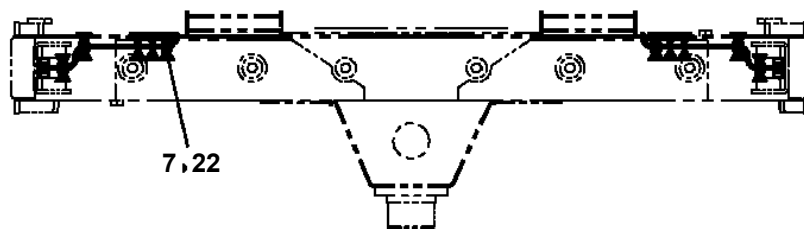
TM-ZR260 41108210370A FRAME/STD,MANUAL,HOOK-IN
PN1014290-02 ELEC.ASSY (CRANE/BOOM,JACK INTERLOCK)



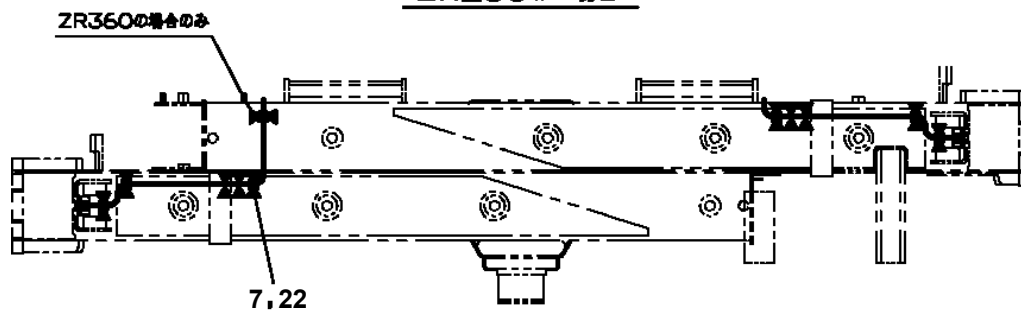
ZR260, 290の場合



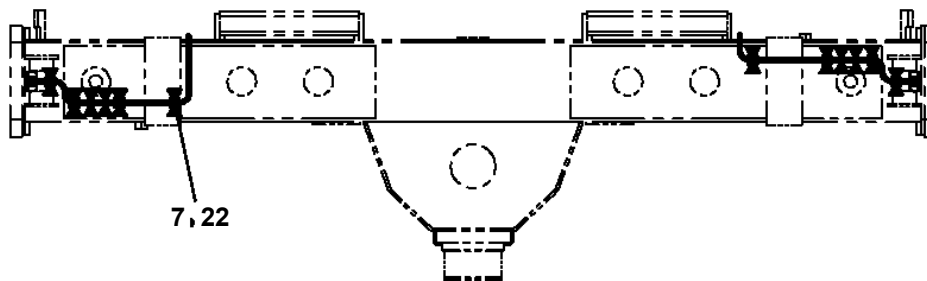
ZR230の場合



ZR230Wの場合

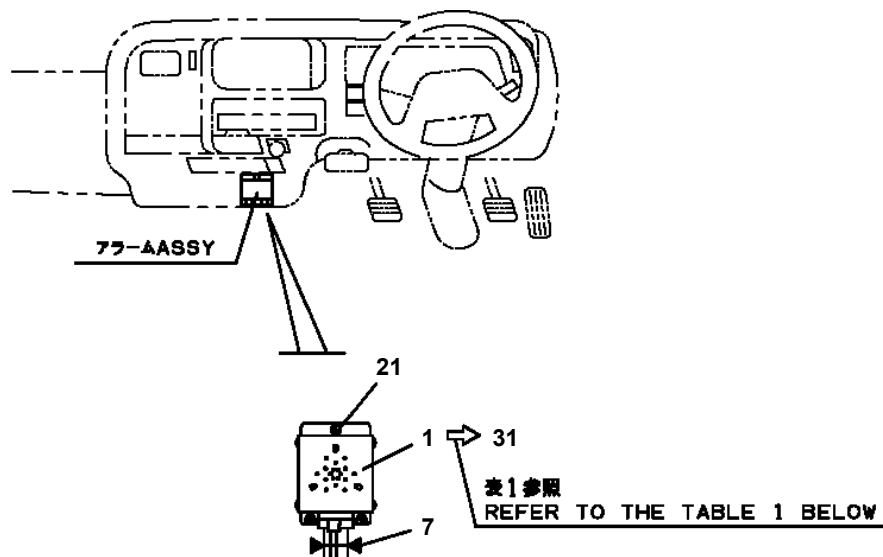


ZR300, 360の場合



ZR500の場合

TM-ZR260 41108210370A FRAME/STD,MANUAL,HOOK-IN
 PN1014690-03 ELEC.ASSY (CARRIER)



1

モデル番号 MODEL	実施号機 APPLICABLE SERIAL NO.
TM-25Z-2	~#ET4545
TM-26Z-4	~#LA0109
TM-29Z-5	~#LA0109
TM-30Z-5	~#KB2389
TM-30Z-6	~#KB2389
TM-36Z-4	~#KB2389
TM-36Z-5	~#KB2389
TM-50Z-5	~#EW8313
TM-58Z-3	~#NA0204
TM-60Z-5	~#NA0204



31

モデル番号 MODEL	実施号機 APPLICABLE SERIAL NO.
TM-25Z-2	#ET4546~
TM-26Z-4	#LA0110~
TM-29Z-5	#LA0110~
TM-30Z-5	#KB2390~
TM-30Z-6	#KB2390~
TM-36Z-4	#KB2390~
TM-36Z-5	#KB2390~
TM-50Z-5	#EW8314~
TM-58Z-3	#NA0205~
TM-60Z-5	#NA0205~

表1
 TABLE 1

TM-ZR260 41108210370A FRAME/STD,MANUAL,HOOK-IN

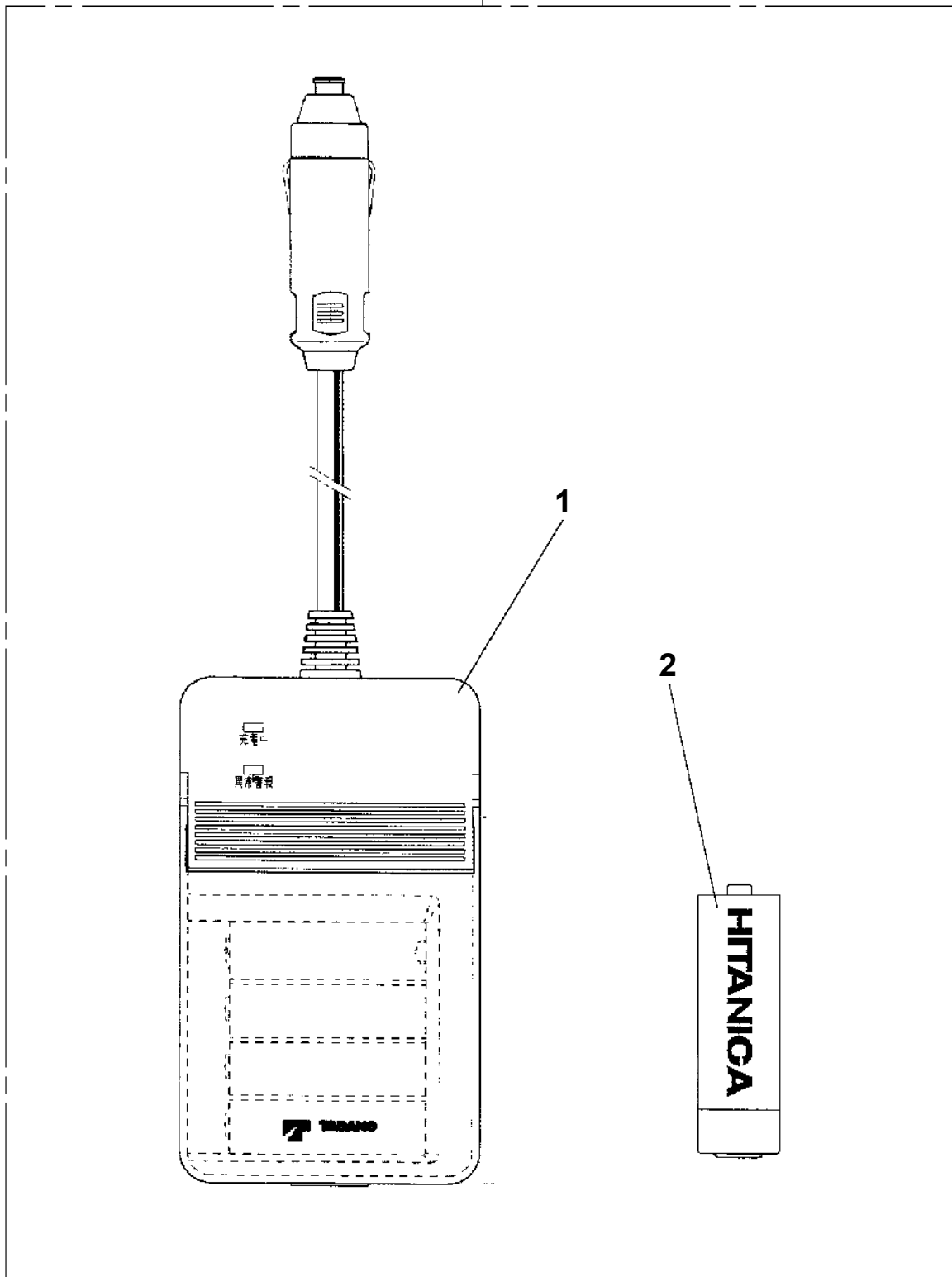
Pos No.	Parts No	Parts Name	Qty	Unit	Technical Data	Serial No (Start)	Serial No (E
1	(*****)	ELEC.ASSY (AC100V300W LAMP/CARRIER)	1				
2	(*****)	ELEC.ASSY (AC100V300W LAMP/LOWER)	1				
3	(*****)	ELEC.ASSY (AC100V300W LAMP/UPPER)	1				
5	(*****)	PLATE ASSY,NAME (AC100V300W LAMP)	1				

TM-ZR260 41108210370A FRAME/STD,MANUAL,HOOK-IN

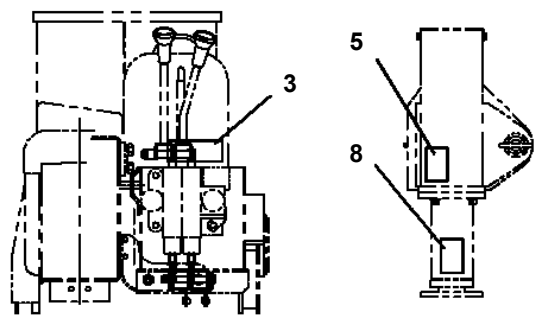
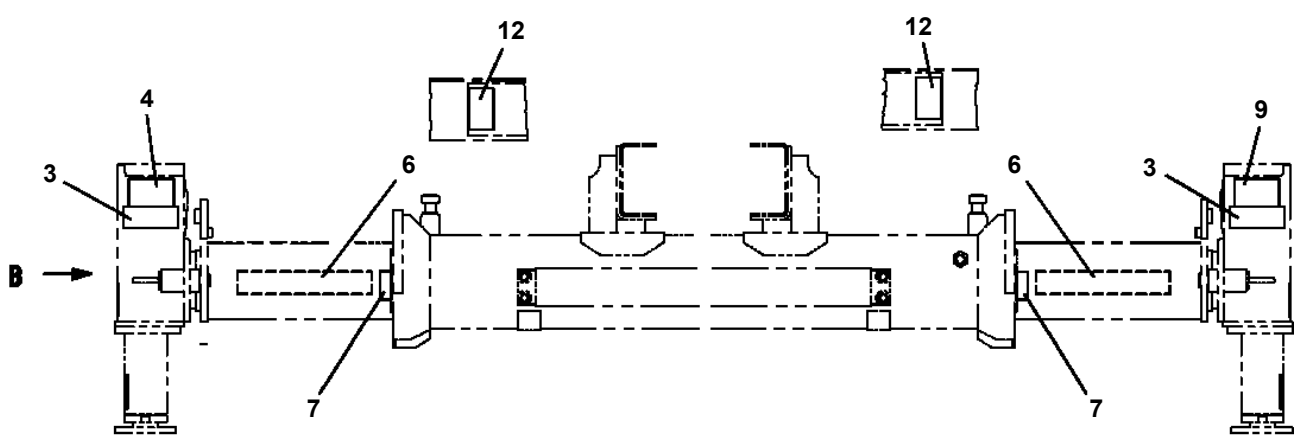
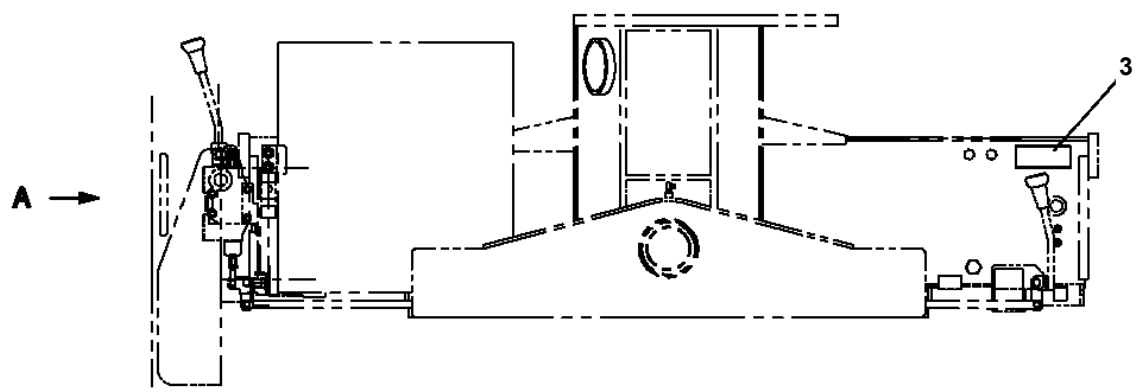
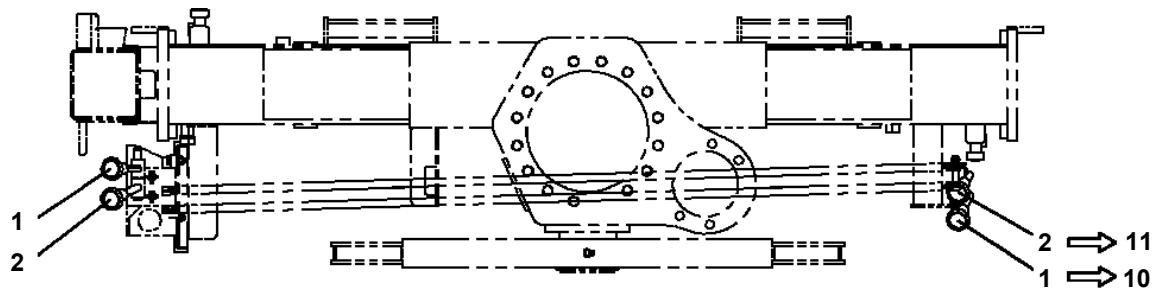
Pos No.	Parts No	Parts Name	Qty	Unit	Technical Data	Serial No (Start)	Serial No (End)	P
1	82105501001	SWITCH,TOGGLE (PLATING)	2					
2	82101940130	SWITCH,PUSH (3PJW106F-021-CC)	2					
10	31653224200	SWITCH ASSY (PLATING:NACC)	1					

TM-ZR260 41108210370A FRAME/STD,MANUAL,HOOK-IN
PN1420013-00 CHARGER,BATTERY

50



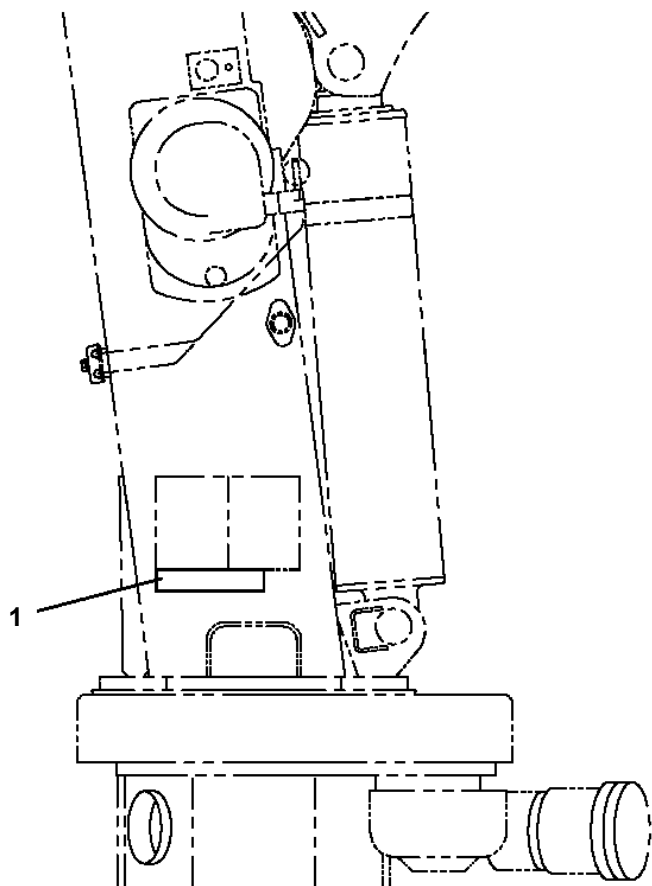
TM-ZR260 41108210370A FRAME/STD,MANUAL,HOOK-IN
PO1012452-03 PLATE ASSY,NAME (R/J OPERATION)



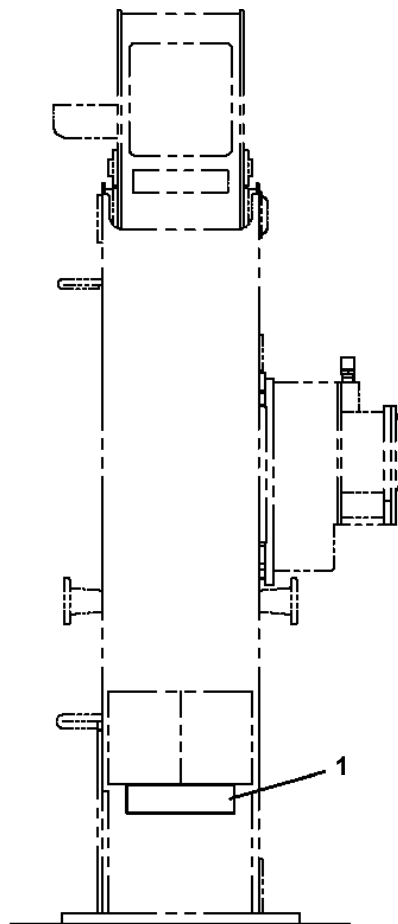
A

B

TM-ZR260 41108210370A FRAME/STD,MANUAL,HOOK-IN
PO1013040-03 PLATE ASSY,NAME (1-PART LINE OPE.)




ZR300,360,500
ZE300,360,500

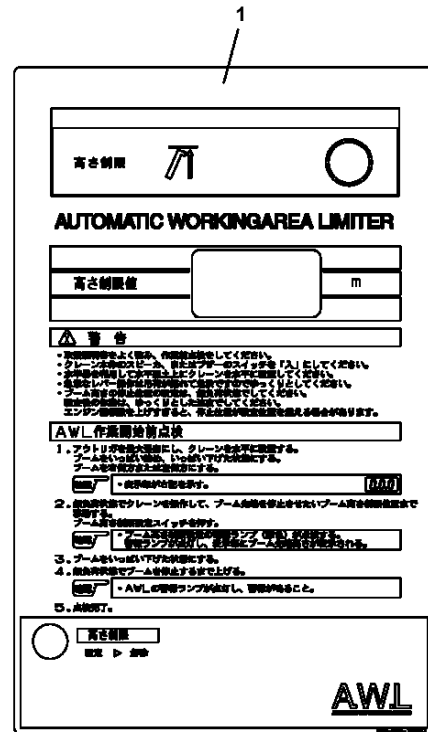
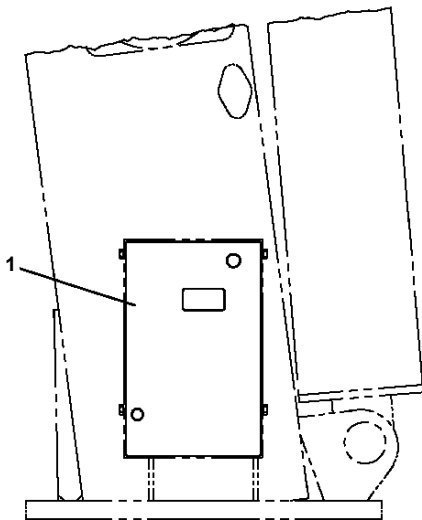
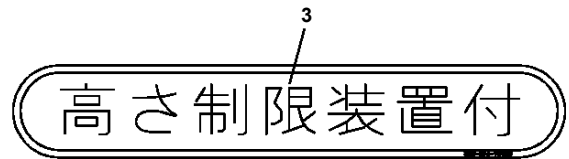
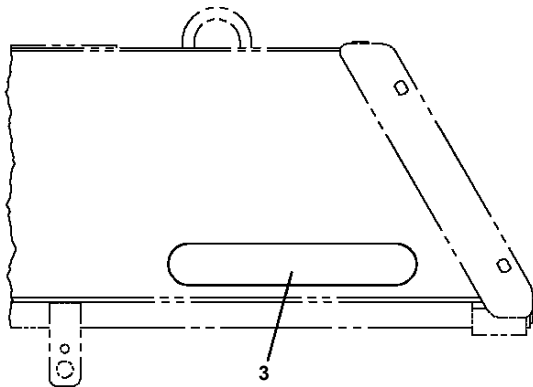


ZR230,260,290
ZE230,260,290

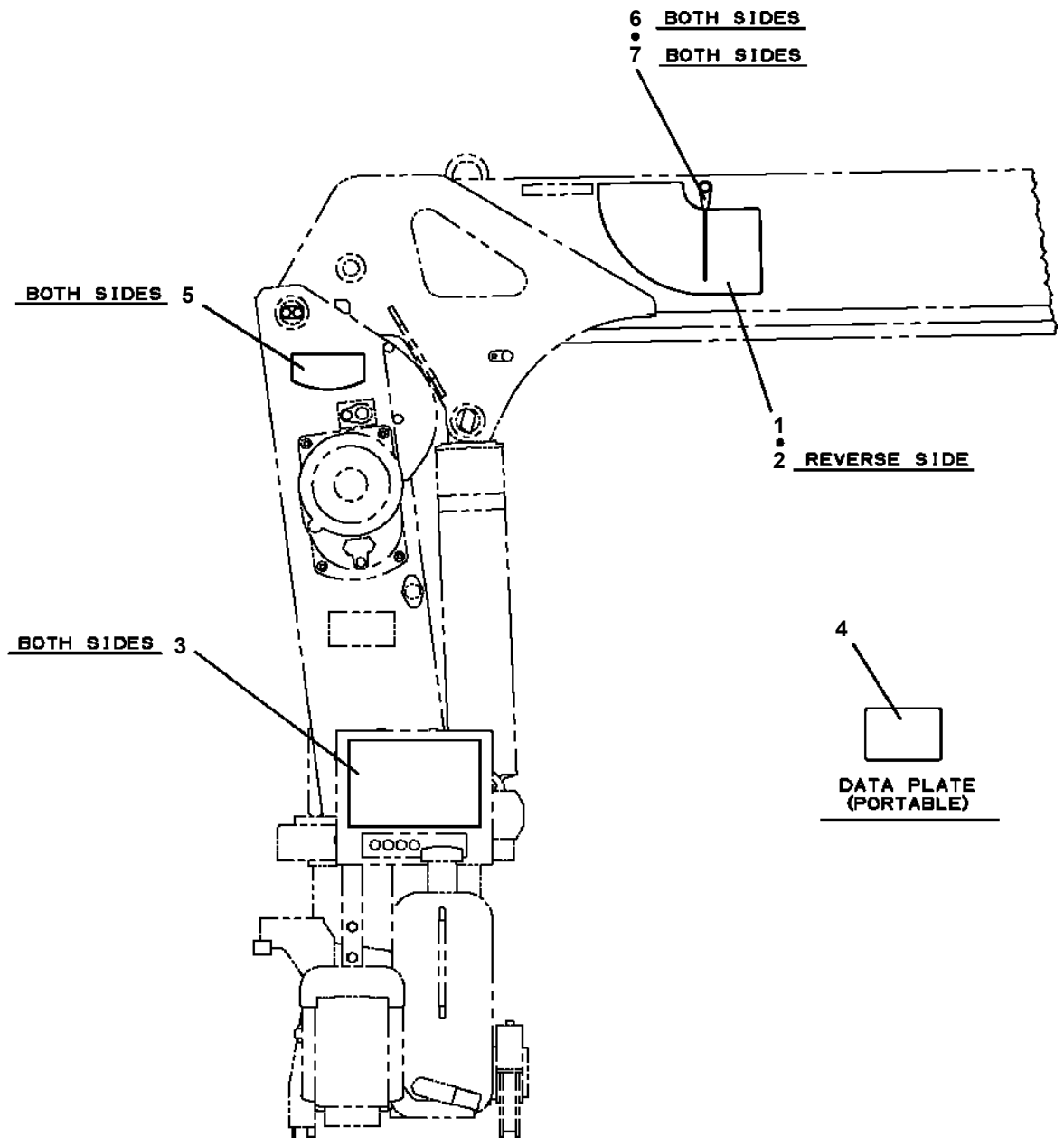
1

	注 意 / ウィンチ操作について
● 単索フック使用時のウィンチ操作は、安全のため 中速以下で行って下さい。	
314-771-68100	

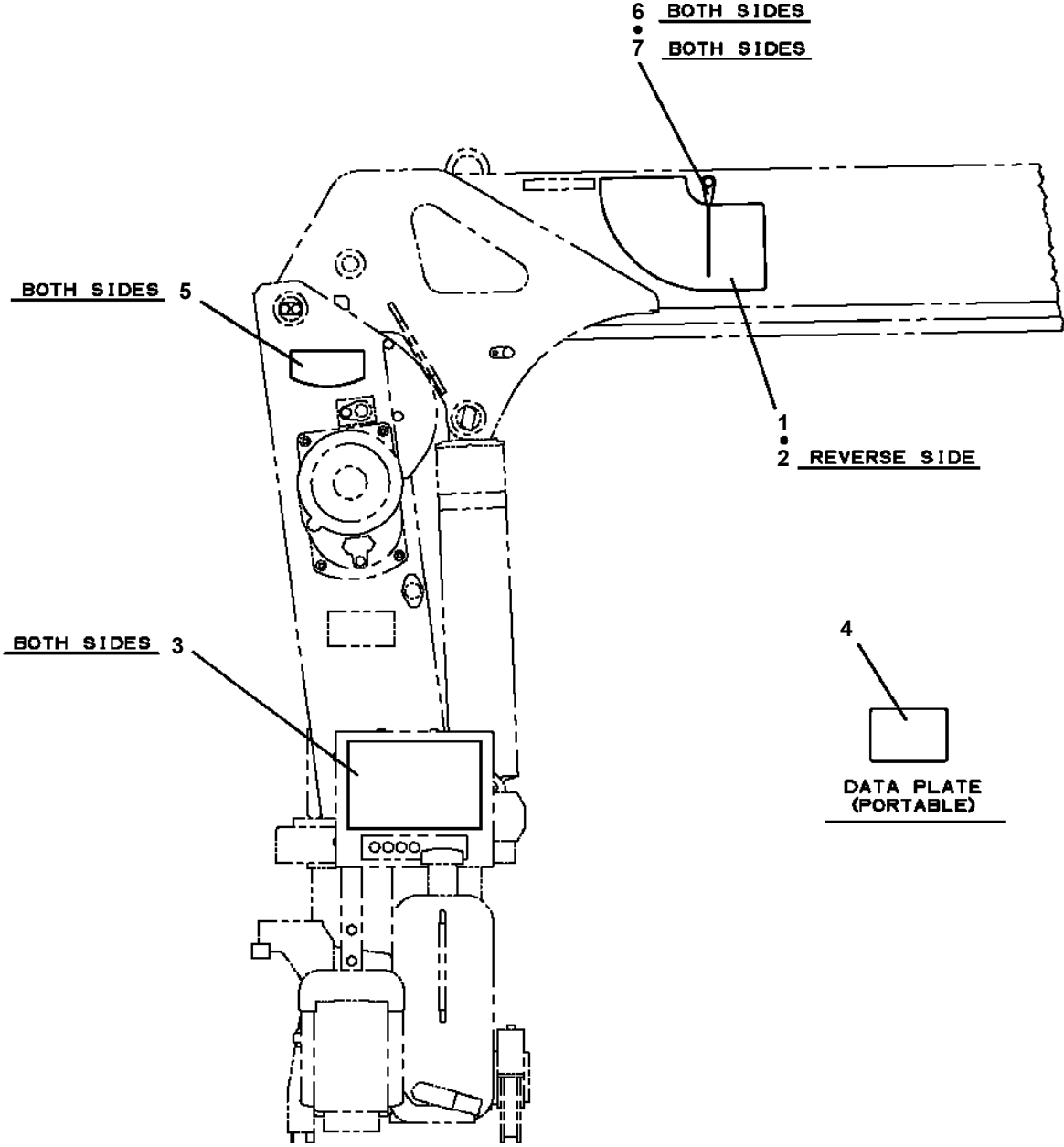
TM-ZR260 41108210370A FRAME/STD,MANUAL,HOOK-IN
 PO1014437-01 PLATE ASSY,NAME (UPPER)



TM-ZR260 41108210370A FRAME/STD,MANUAL,HOOK-IN
PO1070154-00 PERFORMANCE (ZR262/A)

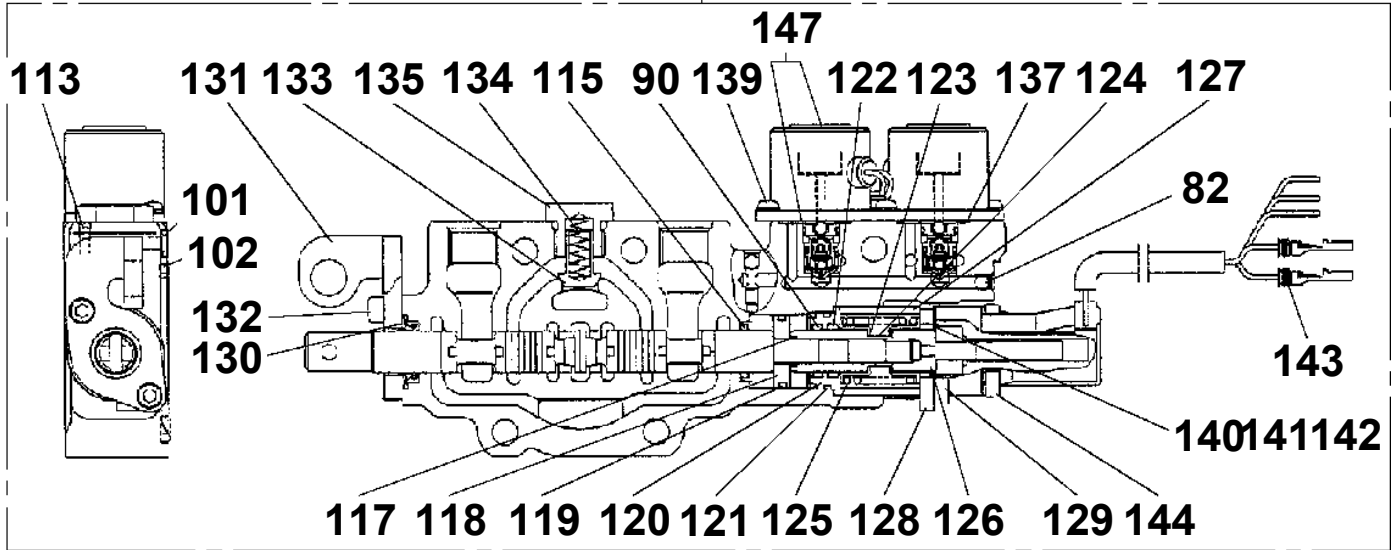


**TM-ZR260 41108210370A FRAME/STD,MANUAL,HOOK-IN
PO1070172-00 PERFORMANCE DATA (ZR264/C)**

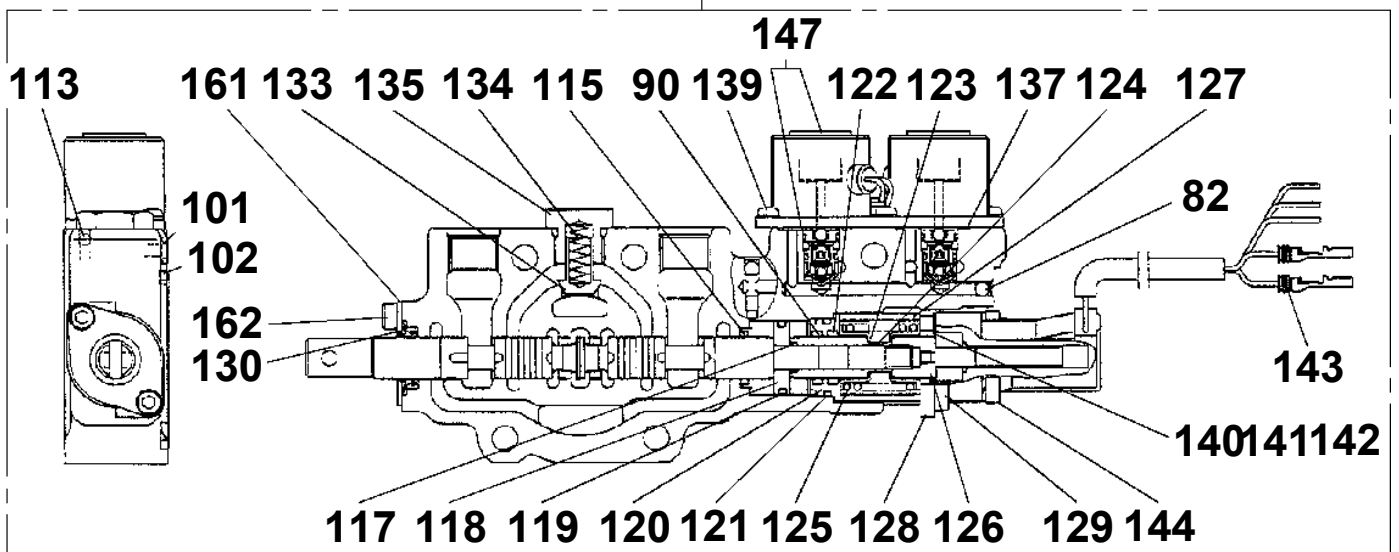


TM-ZR260 41108210370A FRAME/STD,MANUAL,HOOK-IN
PV1020234-00 VALVE,REMOTE CONTROL (MAIN/SANWA)

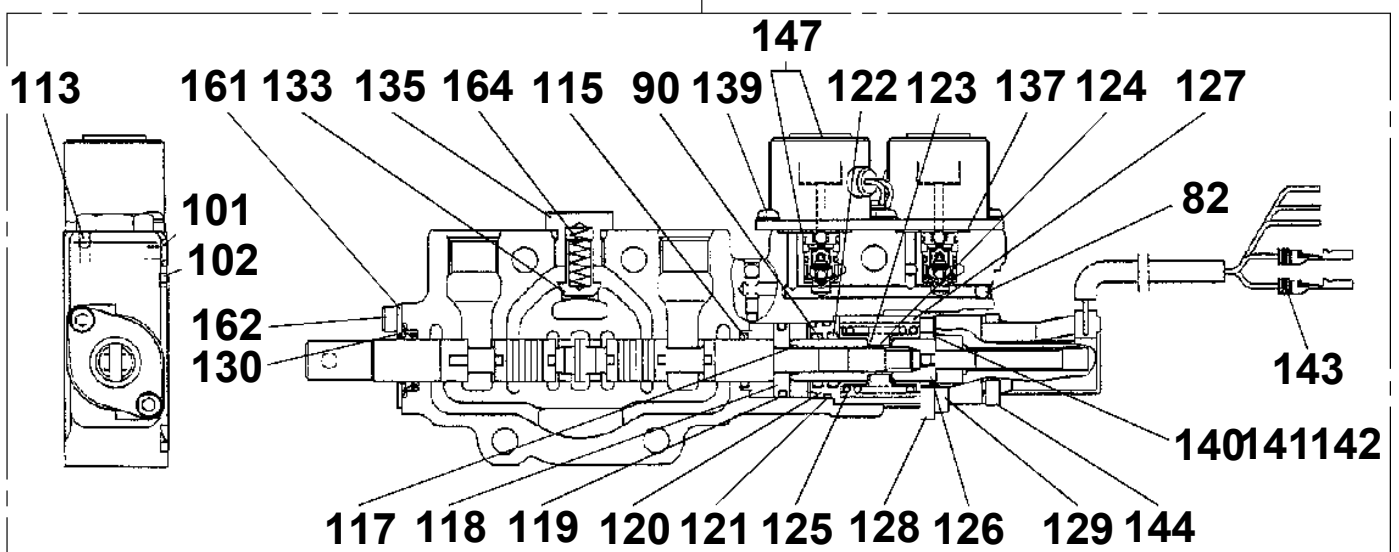
6



7

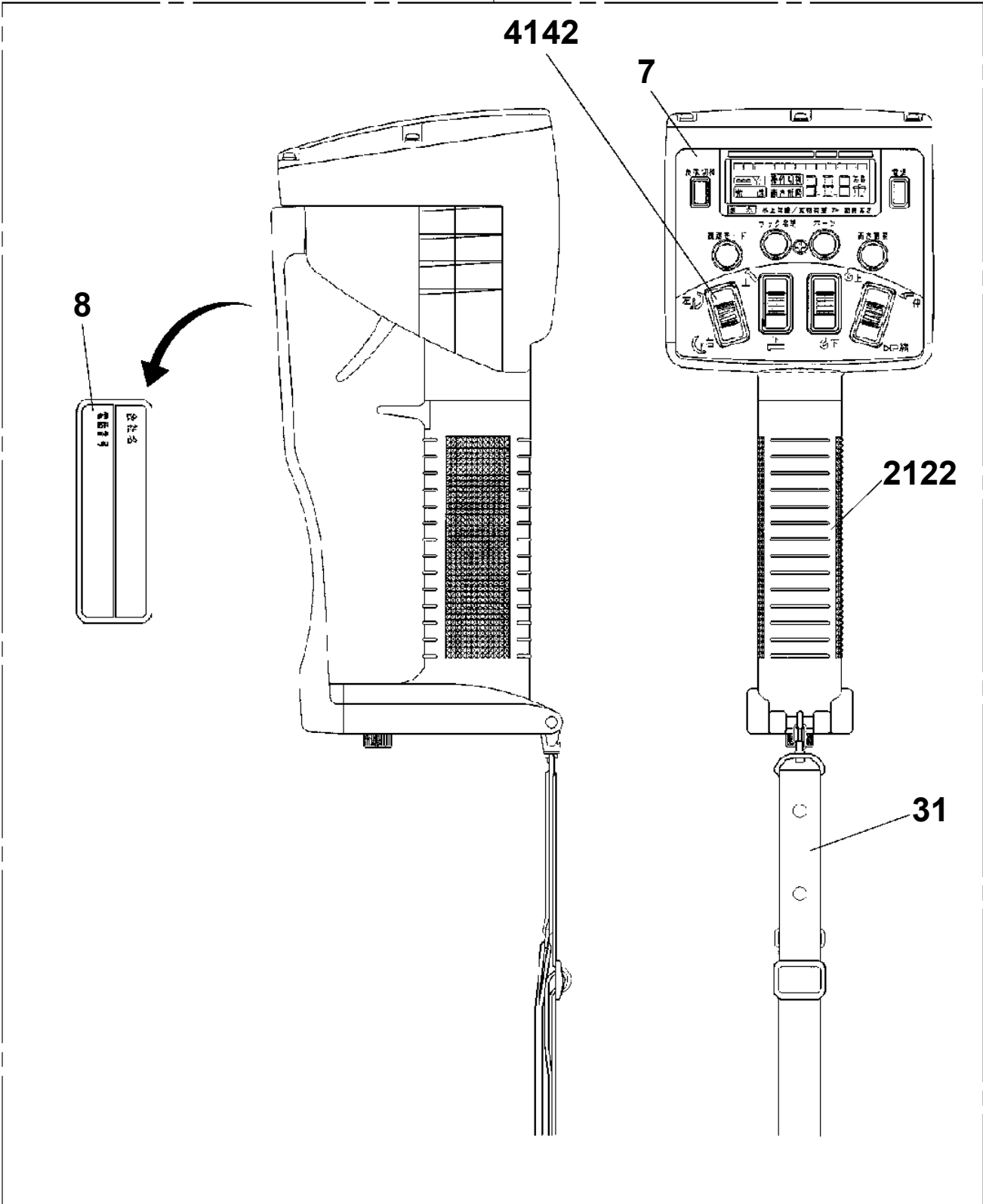


8



TM-ZR260 41108210370A FRAME/STD,MANUAL,HOOK-IN
PV1030060-02 SWITCH BOX(RADIO CONTROL)

50



4142

7

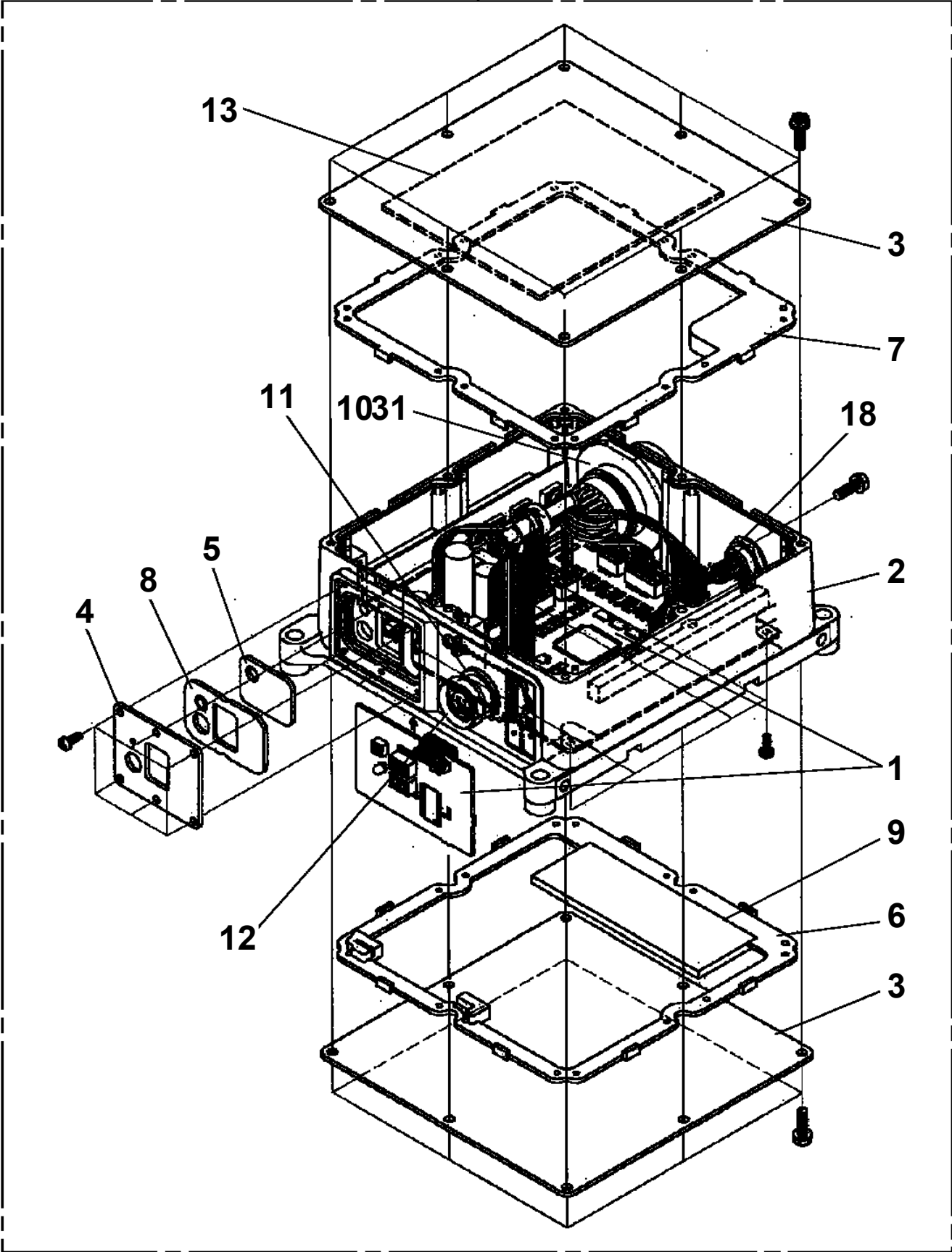
8

2122

31

TM-ZR260 41108210370A FRAME/STD,MANUAL,HOOK-IN
PV1040065-01 CONTROL BOX (RADIO CONTROL)

50



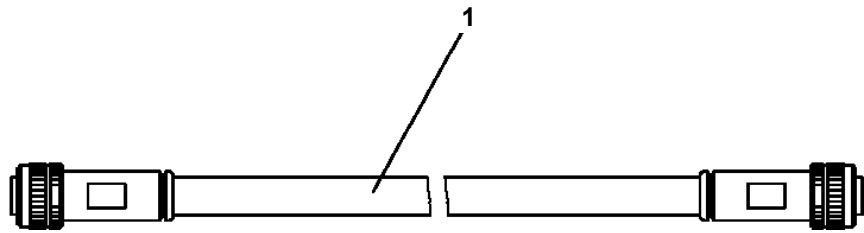
TM-ZR260 41108210370A FRAME/STD,MANUAL,HOOK-IN
PV1070014-02 RADIO CONTROL

指示番号 KEY NO.	ラジオコントロール (トクシヨウカクタ) RADIO CONTROL
2	ボックス, ストローイング BOX, STOWING
3	マウント, アンテナ MOUNT, ANTENNA
4	プレート, ネーム (ソウシンキメイハン) PLATE, NAME
5	プレート, ネーム (チユウキ/ソウシンキトリアツカイ) PLATE, NAME
6	チャージャー, バッテリー CHARGER, BATTERY
7	ハイセンASSY (BMLコハンテイタイサク) ELEC. ASSY (BML)
11	コントロール ユニット CONTROL UNIT
12	アンテナ ANTENNA
13	スイッチ ボックス SWITCH BOX

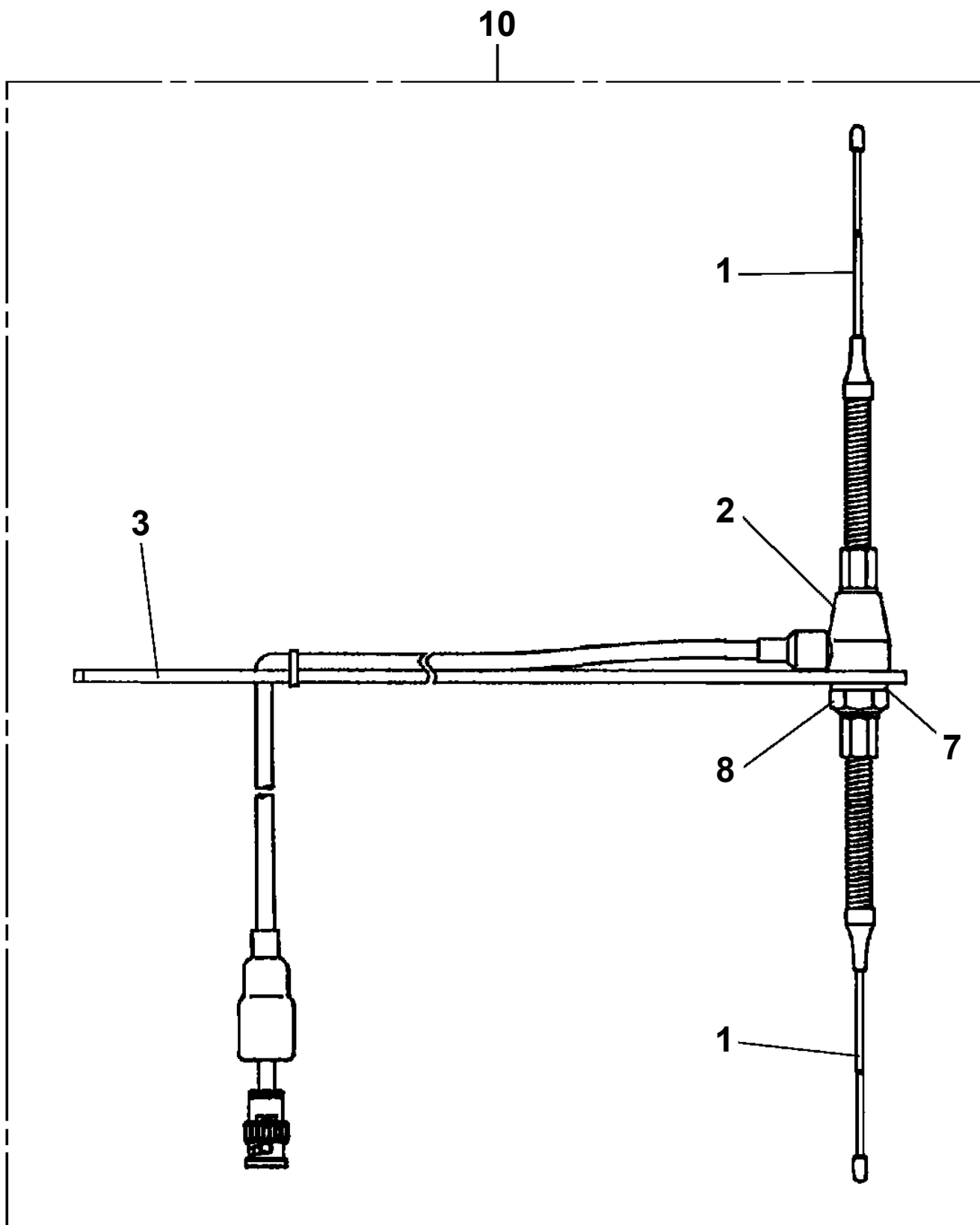
TM-ZR260 41108210370A FRAME/STD,MANUAL,HOOK-IN
PV1070361-00 RADIO CONTROL (FOR TAIWAN)

指示番号 KEY NO.	ラジオコントロール (タイワン向け) RADIO CONTROL (FOR TAIWAN)
2	ホックボックス, ストローイング BOX, STOWING
3	ハイセンASSY ELEC. ASSY
11	コントロールユニット CONTROL UNIT
12	スイッチボックス SWITCH BOX

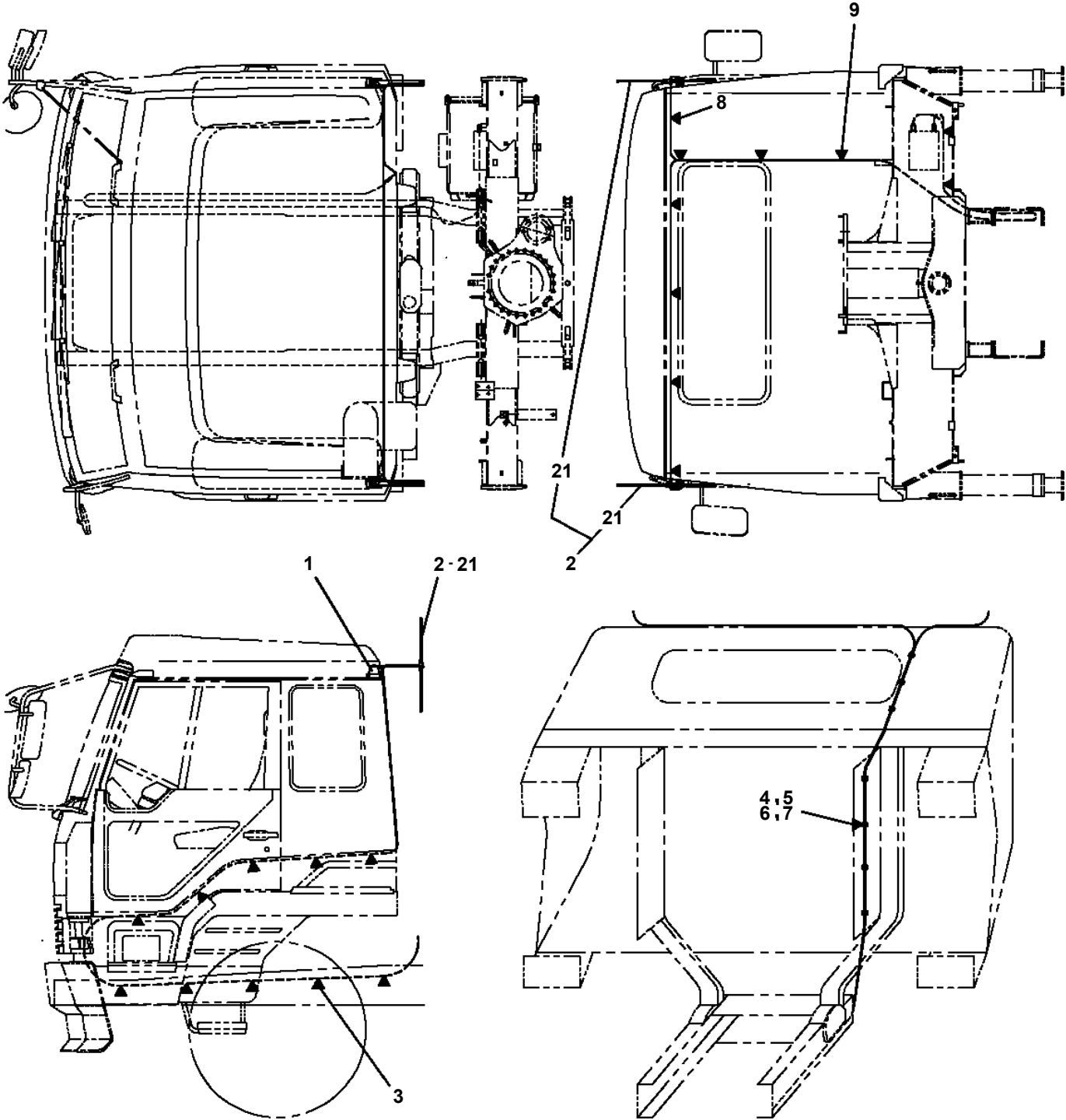
**TM-ZR260 41108210370A FRAME/STD,MANUAL,HOOK-IN
PV1300011-02 CABLE (ANTENNA 2M)**



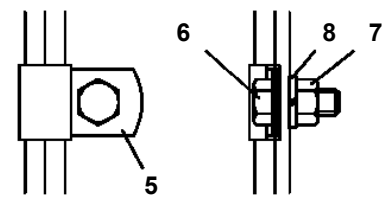
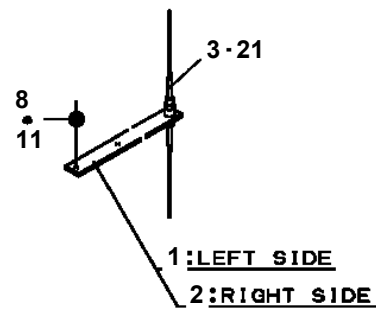
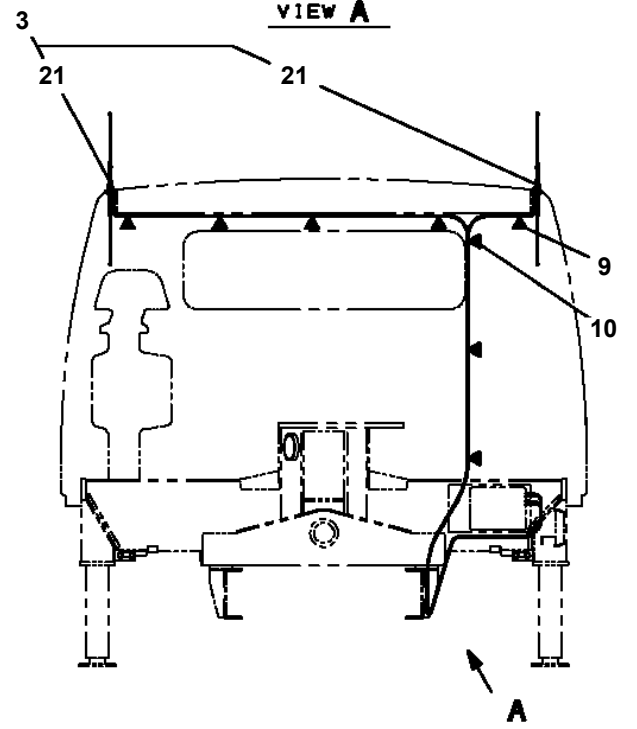
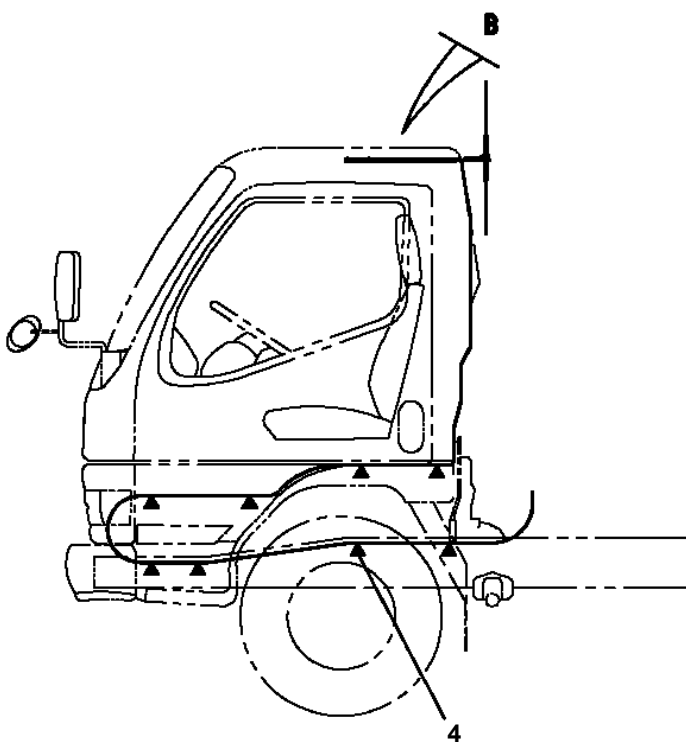
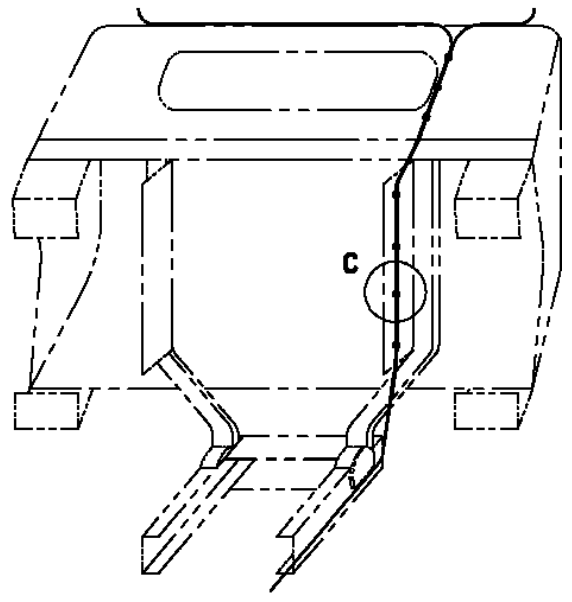
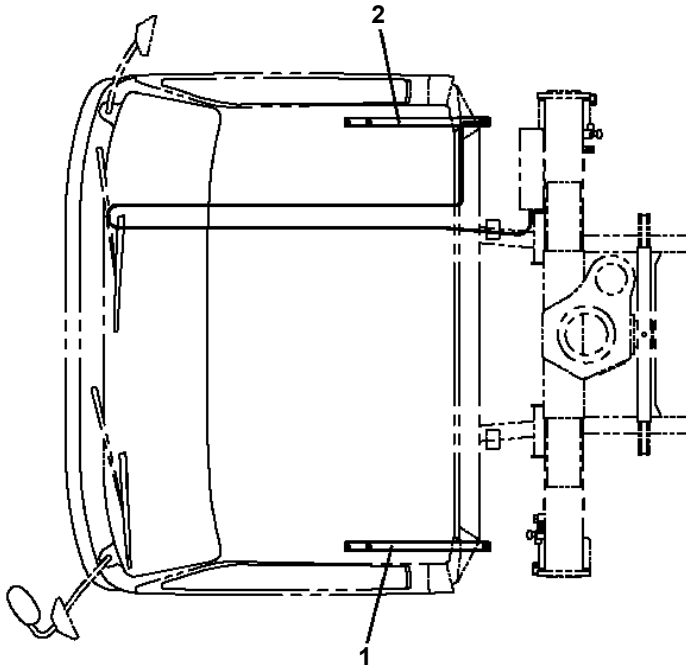
TM-ZR260 41108210370A FRAME/STD,MANUAL,HOOK-IN
PV1400030-01 ANTENNA



TM-ZR260 41108210370A FRAME/STD,MANUAL,HOOK-IN
PV1410002-01 MOUNT,ANTENNA (RADIO CONTROL)



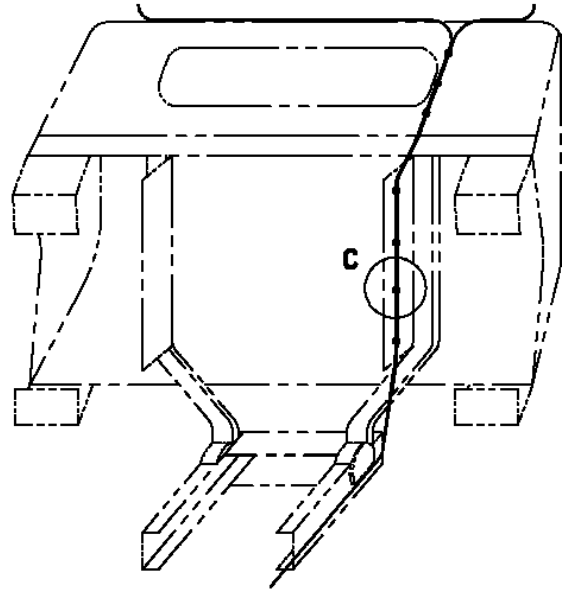
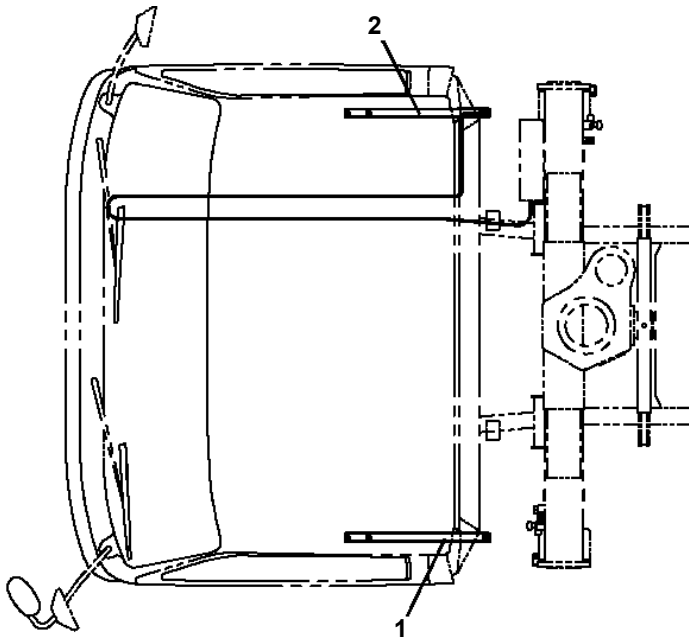
**TM-ZR260 41108210370A FRAME/STD,MANUAL,HOOK-IN
PV1410007-01 MOUNT,ANTENNA (RADIO CONTROL,D.E-TYPE)**



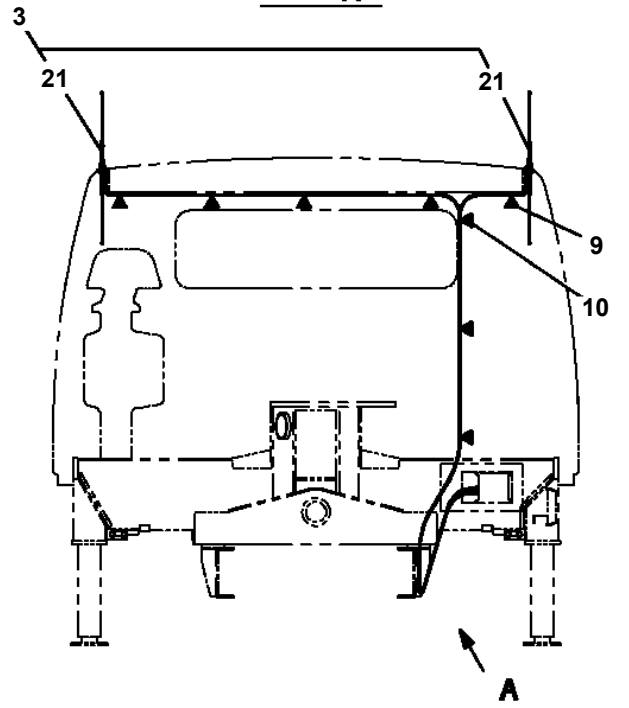
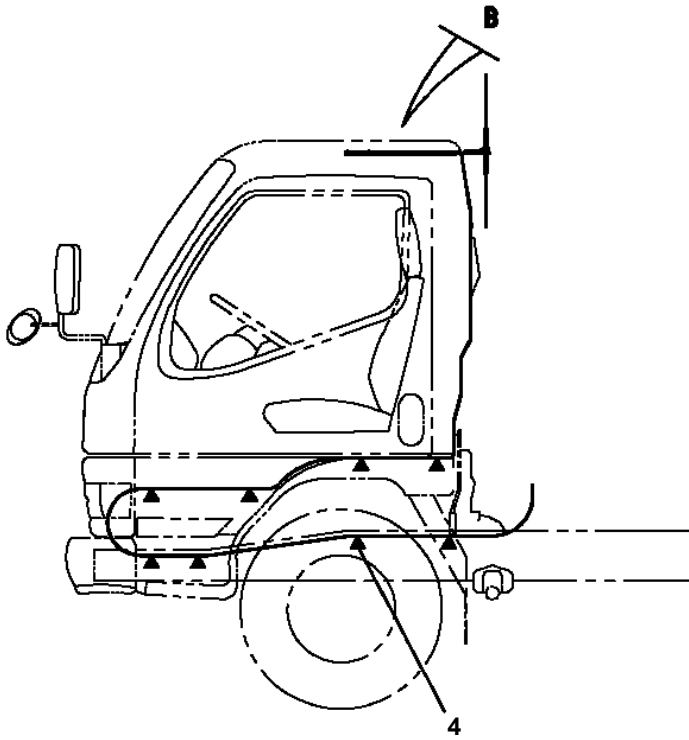
B

C

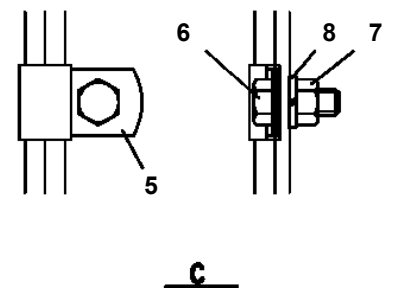
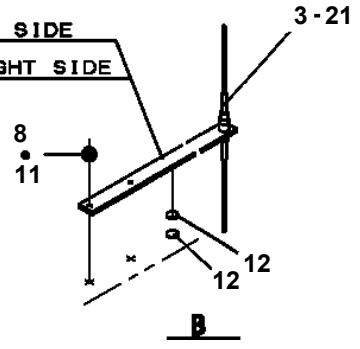
**TM-ZR260 41108210370A FRAME/STD,MANUAL,HOOK-IN
PV1410013-01 MOUNT,ANTENNA (RADIO CONTROL,D.E-TYPE)**



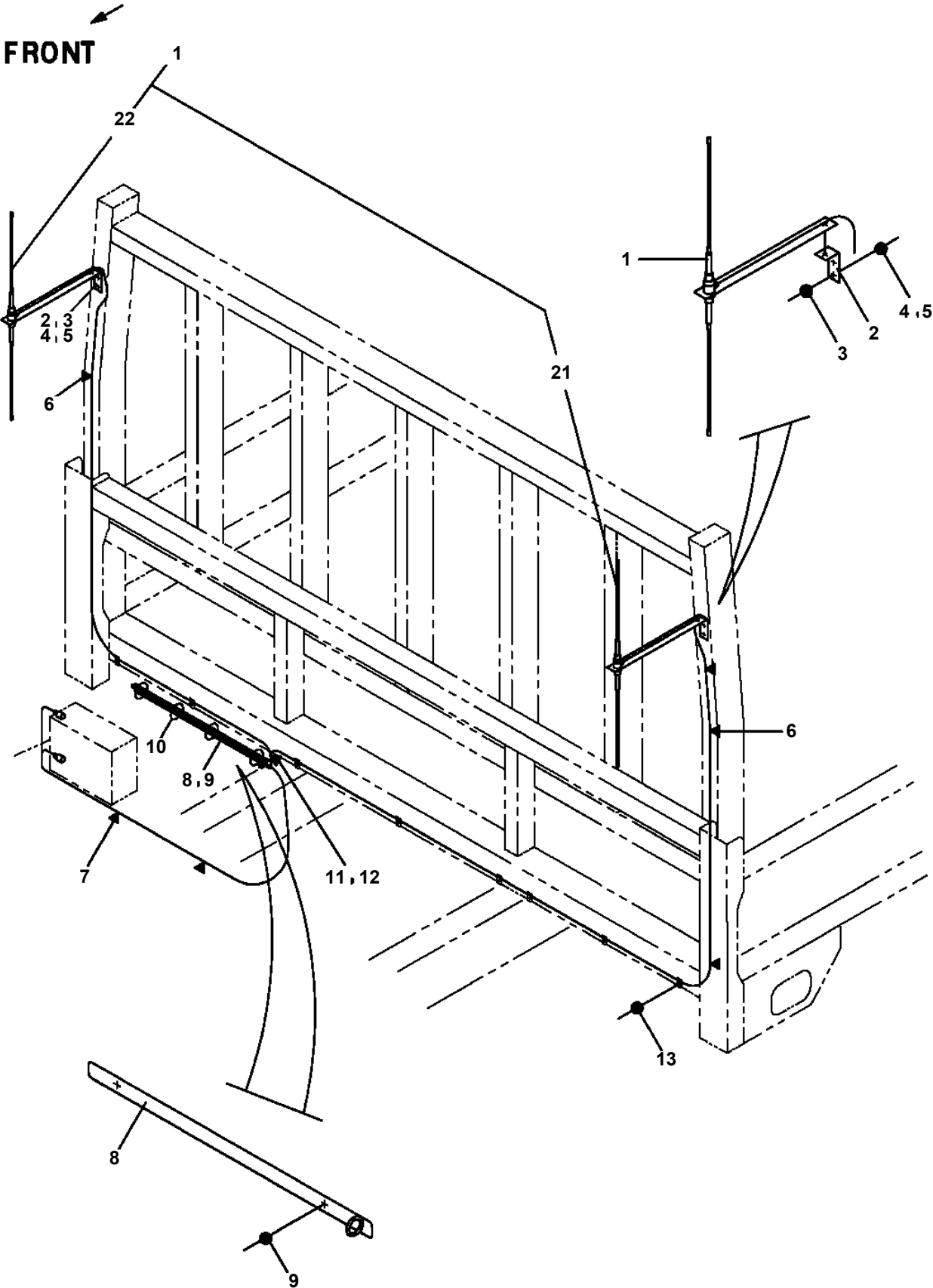
VIEW A



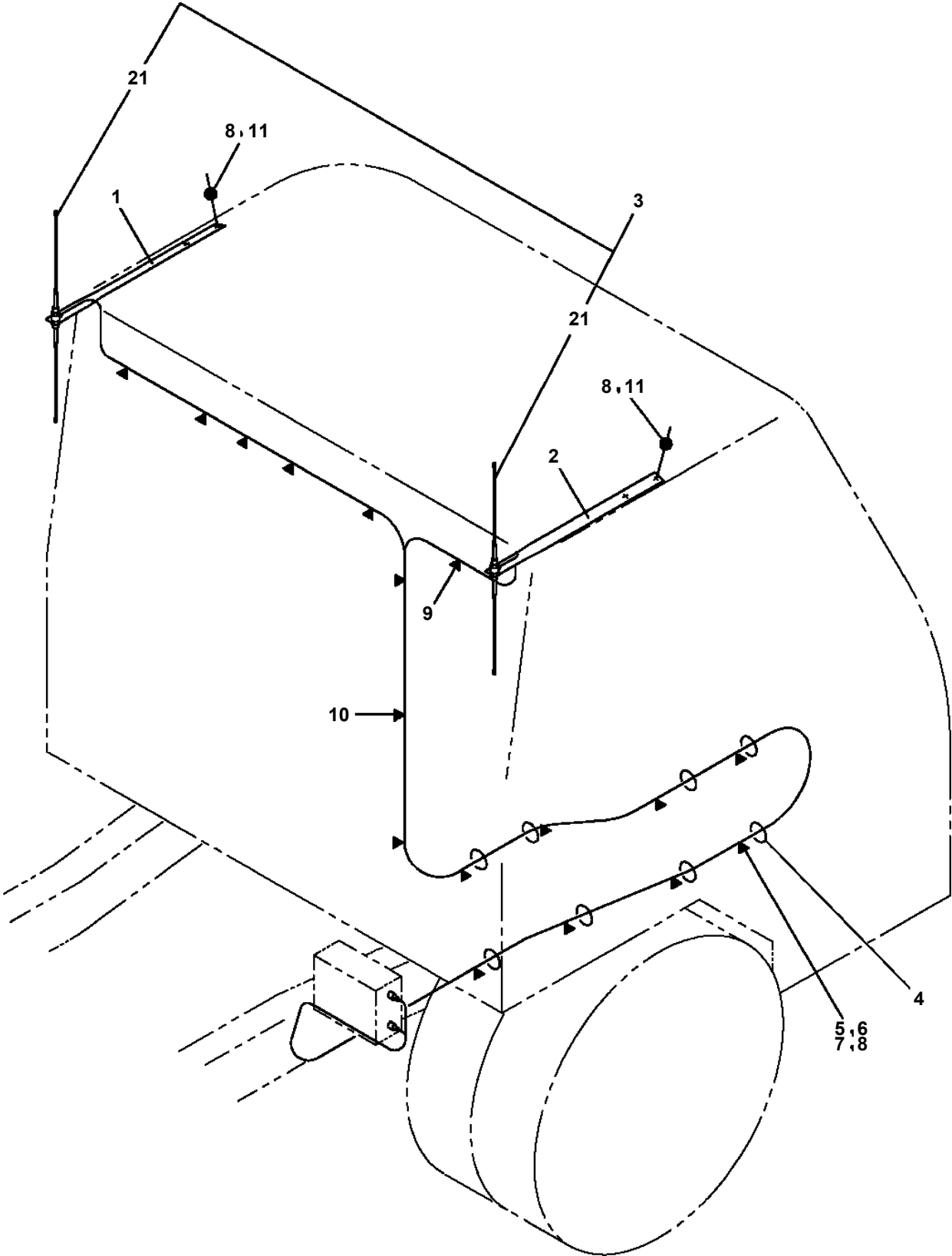
**1: LEFT SIDE
2: RIGHT SIDE**



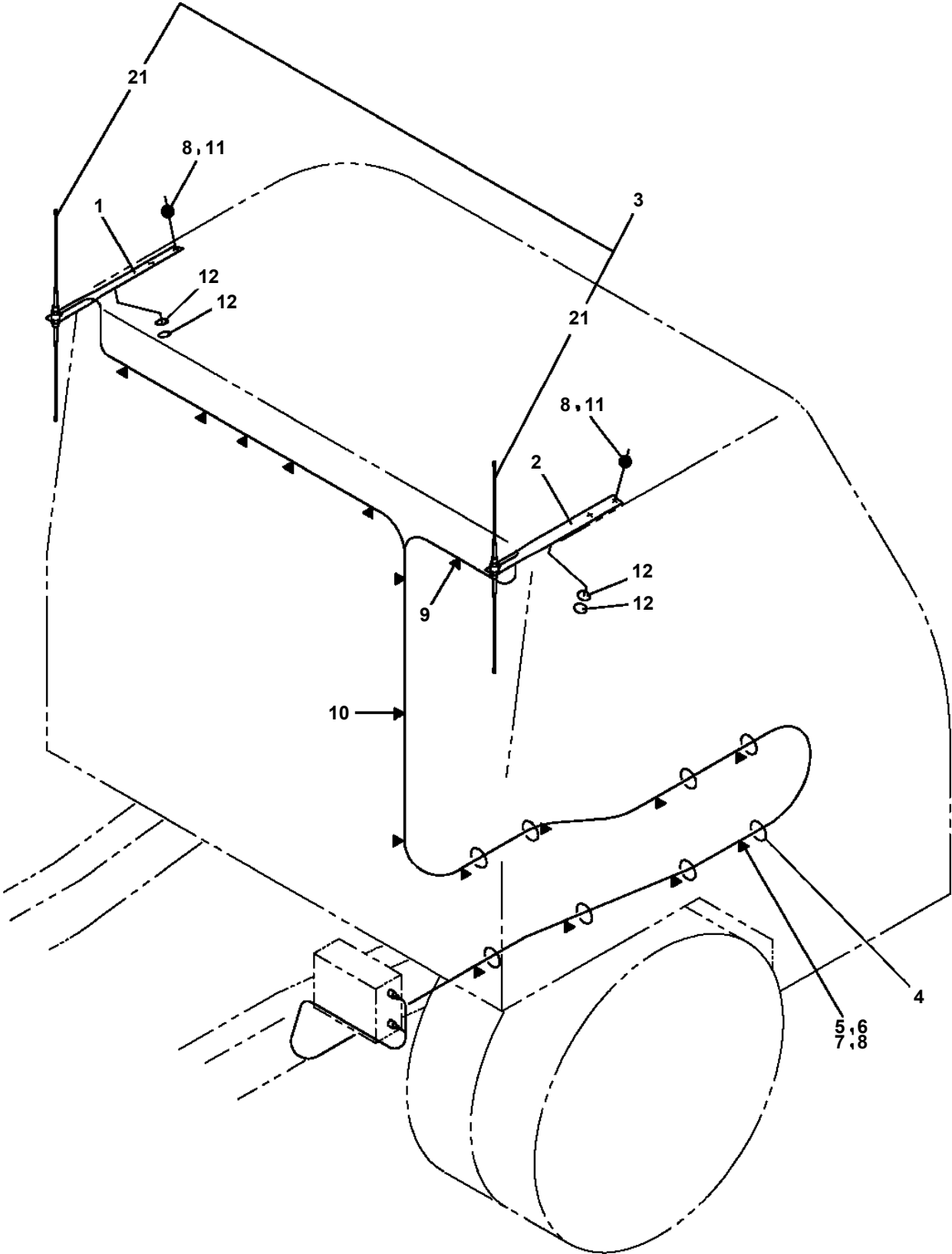
TM-ZR260 41108210370A FRAME/STD,MANUAL,HOOK-IN
PV1410023-00 MOUNT,ANTENNA(FREQUENCY A.B/MOUNT,GUARD)



TM-ZR260 41108210370A FRAME/STD,MANUAL,HOOK-IN
PV1410028-00 MOUNT,ANTENNA (FREQUENCY A.B)

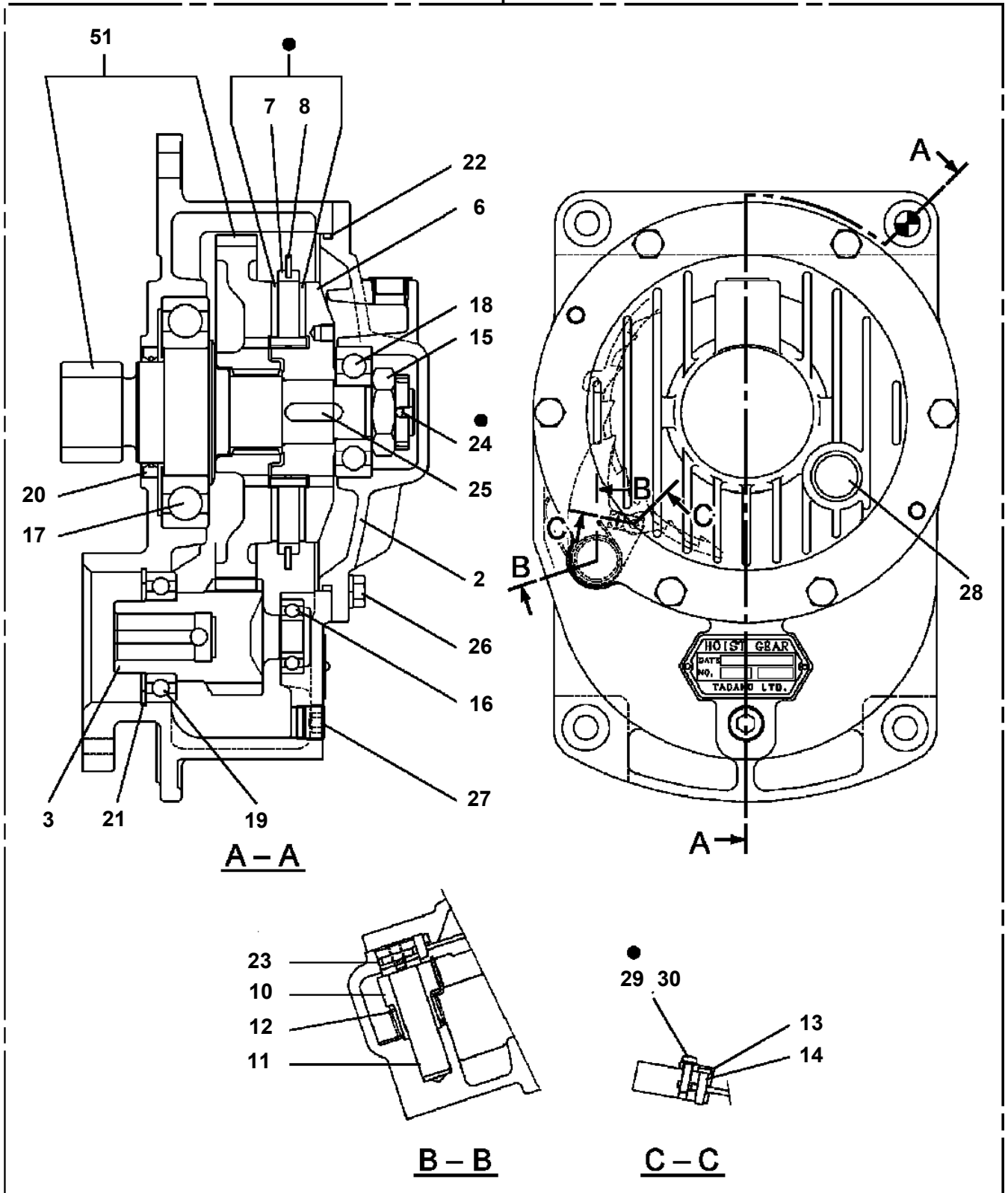


TM-ZR260 41108210370A FRAME/STD,MANUAL,HOOK-IN
PV1410033-00 MOUNT,ANTENNA (FREQUENCY D.E)



TM-ZR260 41108210370A FRAME/STD,MANUAL,HOOK-IN
PW5060005-01 WINCH ASSY (Y.G.TEC)

100



- : FACING KIT KEY NO 101 (JAPANESE)
- : FACING KIT KEY NO. 102 (ENGLISH)

- Protective seal
- Replacement interval name plate

**TM-ZR260 41108210370A FRAME/STD,MANUAL,HOOK-IN
PY1000469-02 OPTIONS (ELECTRICAL-RELATED,STD)**

トクベツ ショウ
OPTIONS

(電気関係
ELECTRICAL-RELATED)

【組立名称一覧】より選択してください。
SEE THE CORRESPONDING "ASSEMBLY NAME" LIST.

TM-ZR260 41108210370A FRAME/STD,MANUAL,HOOK-IN
PY1560040-01 ALARM SYSTEM

指示番号 KEY NO.	アラーム システム (キフクカクノウスレ) ALARM SYSTEM
1	ハイセンASSY (ブームブ) ELEC.ASSY (BOOM)
2	ハイセンASSY (シャリヨウブ) ELEC.ASSY (CARRIER)
4	プレートASSY,ネーム PLATE ASSY,NAME

CLICK HERE TO **DOWNLOAD** THE COMPLETE MANUAL

- Thank you very much for reading the preview of the manual.
- You can download the complete manual from: www.heydownloads.com by clicking the link below



- Please note: If there is no response to CLICKING the link, please download this PDF first and then click on it.

CLICK HERE TO **DOWNLOAD** THE COMPLETE MANUAL