

TM-ZR260 41108210760A FRAME/STD,MANUAL,HOOK-IN
PB000020-02 SYSTEM (ZR260,DOMESTIC)
ASSEMBLY

CLICK HERE TO **DOWNLOAD** THE COMPLETE MANUAL

- Thank you very much for reading the preview of the manual.
- You can download the complete manual from: www.heydownloads.com by clicking the link below



- Please note: If there is no response to CLICKING the link, please download this PDF first and then click on it.

CLICK HERE TO **DOWNLOAD** THE COMPLETE MANUAL

TM-ZR260 41108210760A FRAME/STD,MANUAL,HOOK-IN

Pos No.	Parts No	Parts Name	Qty	Unit	Technical Data	Serial No (Start)	Serial No (End)	R
5	36401650000	POWER TAKE OFF	1					
	36401600000	POWER TAKE OFF	1					
	31790860000	POWER TAKE OFF	1					
	36401600001	POWER TAKE OFF	1					
	31790870000	POWER TAKE OFF	1					
6	36401650000	POWER TAKE OFF	1					
	36401600000	POWER TAKE OFF	1					
	52230312000	POWER TAKE OFF (WITH TURBO)	1					
	31790860000	POWER TAKE OFF	1					
	52230314000	POWER TAKE OFF	1					
7	31790760000	POWER TAKE OFF	1					
	31790720000	POWER TAKE OFF	1					

TM-ZR260 41108210760A FRAME/STD,MANUAL,HOOK-IN

Pos No.	Parts No	Parts Name	Qty	Unit	Technical Data	Serial No (Start)	Serial No (End)	Remarks	Pages
1	36400565010	CASE	1						
2	36400565020	GEAR	1						
3	36400235040	SHAFT	1						
4	36400565030	GEAR	1						
5	36400095040	SHAFT	1						
6	36400095050	COLLAR	1						
7	36400095100	SHIFTER ASSY	1						
8	36400095110	PACKING	2						
9	36400235050	COVER (FRONT)	1						
10	36400235060	COVER (REAR)	1						
11	36400235070	PACKING	2						
12	36400095090	SHIM	N						
13	80500006305	BEARING,BALL	2						
14	36400095120	BEARING	2						
15	91206025005	SEAL,OIL	1						
16	36400095130	WASHER	1						
17	90101206012	BOLT	1		M6X12				
18	80602110520	RING,RITAINING	2		R52				
19	90191210016	BOLT	8		M10X16				
20	90302041001	WASHER,SPRING	14		10				
21	90191208030	BOLT	4		M8X30				
22	90302040801	WASHER,SPRING	4		8				
23	36400135120	COUPLING	1						
24	36400135100	KEY	1						
25	36400135150	NUT	1		M4X1.5				
26	36400135160	WASHER,PLAIN	1						
27	36400135090	WASHER	1						
30	36400075140	COVER (1)	1						
31	90193210025	BOLT	3		M10X25				
32	36400195030	BOLT,STUD	3						
33	90267201000	NUT	3		M10				
35	31790670100	SUPPORT	1						
36	90191208025	BOLT	2		M8X25				
50	36400560000	POWER TAKE OFF	1						
100	31790730000	POWER TAKE OFF	1						

TM-ZR260 41108210760A FRAME/STD,MANUAL,HOOK-IN

Pos No.	Parts No	Parts Name	Qty	Unit	Technical Data	Serial No (Start)	Serial No (End)	Remarks	Page
1	36401165010	CASE	1						
2	36401135060	GEAR (TO)	1						
3	36401165020	SHAFT	1						
4	36401125040	SLEEVE	1						
5	36401125050	SHIFTER SET	1						
6	36400095110	PACKING	1						
7	36400095070	COVER (BEARING)	1						
8	36400095080	PACKING (COVER)	1						
9	36400095090	SHIM	1						
10	36401135070	COLLAR	1						
11	80500006903	BEARING,BALL	1						
12	36401125080	BEARING,ROLLER	2						
13	36401125090	BEARING,NEEDLE	1						
14	91206030005	SEAL,OIL	1						
15	36401165030	NUT	1						
16	36401165040	WASHER	1						
17	90191208020	BOLT	4		M8X20				
18	90191208014	BOLT	3		M8X14				
19	90302040801	WASHER,SPRING	7		8				
20	36400135120	COUPLING	1						
21	36400135100	KEY	1						
22	36401165050	NUT	1		M14X1.5				
23	36400135080	WASHER,PLAIN	1						
24	36400135090	WASHER	1						
26	36401125120	PACKING (CASE)	1						
27	90191210100	BOLT	1		M10X100				
28	90191210090	BOLT	1		M10X90				
29	90191210030	BOLT	2		M10X30				
30	36400095150	BOLT,STUD	1		M10X1.25/1.5X43				
31	36401125140	BOLT	1						
32	90267201000	NUT	2		M10				
33	90302041001	WASHER,SPRING	6		10				
34	31790880100	SUPPORT	1						
35	90191208025	BOLT	2		M8X25				
50	36401160000	POWER TAKE OFF	1						
100	31790900000	POWER TAKE OFF	1						

TM-ZR260 41108210760A FRAME/STD,MANUAL,HOOK-IN

Pos No.	Parts No	Parts Name	Qty	Unit	Technical Data	Serial No (Start)	Serial No (End)
1	36401655010	CASE,GEAR	1				
3	52230312180	BOLT (WITH WASHER)	8		M8X1.25		
4	52230312160	WASHER,SPRING	1				
5	52230308050	COVER (CASE)	1				
6	80500006305	BEARING,BALL	2				
7	52230312021	SHAFT (OUTPUT)	1				
8	36401595020	COLLAR (THRUST)	1				
9	52230312140	ROD (SHAFT)	1				
10	52230312030	SEAL,OIL	1				
11	52230308100	SHAFT (IDLE)	1				
13	52230312190	COVER (UPPER)	1				
14	52230312200	PACKING (COVER)	1				
15	52230308130	PIN,SPRING	1		4X24		
16	36401595030	ARM (SHAFT)	1				
17	52230312220	SLEEVE	1				
18	52230308170	PLUG (SHAFT)	1				
19	52230312051	SEAL,OIL	1				
20	52230312120	BOLT,STUD	2				
21	90302041001	WASHER,SPRING	2		10		
22	90267201000	NUT	2		M10		
23	52230312290	GEAR ASSY	1				
27	52230312250	GEAR	1				
28	52230312230	BOLT (WITH WASHER)	4		M8X1.25		
29	52230312090	BEARING,NEEDLE	2				
30	52230312280	BOLT	4		M8X1.25		
31	52230312270	BOLT,HEXAGON SOCKET	1		M8X1.25		
32	52230308160	SPRING (LOCK)	1				
33	52230312150	PIN (LOCK)	1				
34	52230307020	COUPLING	1				
35	52230312260	PIN,SPRING	1				
36	52230312060	ADAPTER	1				
50	36401659510	POWER TAKE OFF (WITHOUT COUPLING)	1				
100	36401650000	POWER TAKE OFF	1				

TM-ZR260 41108210760A FRAME/STD,MANUAL,HOOK-IN

Pos No.	Parts No	Parts Name	Qty	Unit	Technical Data	Serial No (Start)	Serial No (End)	Remarks	Pages
1	36401725010	CASE	1						
2	36401725020	GEAR	1						
3	36401725030	SHAFT	1						
4	36400095040	SHAFT	1						
5	36400095050	COLLAR	1						
6	36401725040	GEAR	1						
7	36400095100	SHIFTER ASSY	1						
8	36400095120	BEARING	2						
9	80500006206	BEARING,BALL	2						
10	91206030005	SEAL,OIL	1						
11	36400095070	COVER (BEARING)	1						
12	36400095080	PACKING (COVER)	1						
13	36400095090	SHIM	N						
14	90101206012	BOLT	1		M6X12				
15	36400095130	WASHER	1						
16	90191208014	BOLT	3		M8X14				
17	90302040801	WASHER,SPRING	7		8				
18	36400095110	PACKING	1						
19	90191208020	BOLT	4		M8X20				
20	80602110520	RING,RITAINING	2		R52				
22	36400055070	PACKING	1						
23	36400195030	BOLT,STUD	4						
24	90267201000	NUT	4		M10				
25	90193210025	BOLT	2		M10X25				
26	90302041001	WASHER,SPRING	8		10				
27	36401725070	SUPPORT (PUMP)	1						
28	36401725080	BOLT	2		M10X35				
30	31791100100	SUPPORT	1						
31	90191208025	BOLT	2		M8X25				
50	36401730000	POWER TAKE OFF	1						
100	31791110000	POWER TAKE OFF	1						

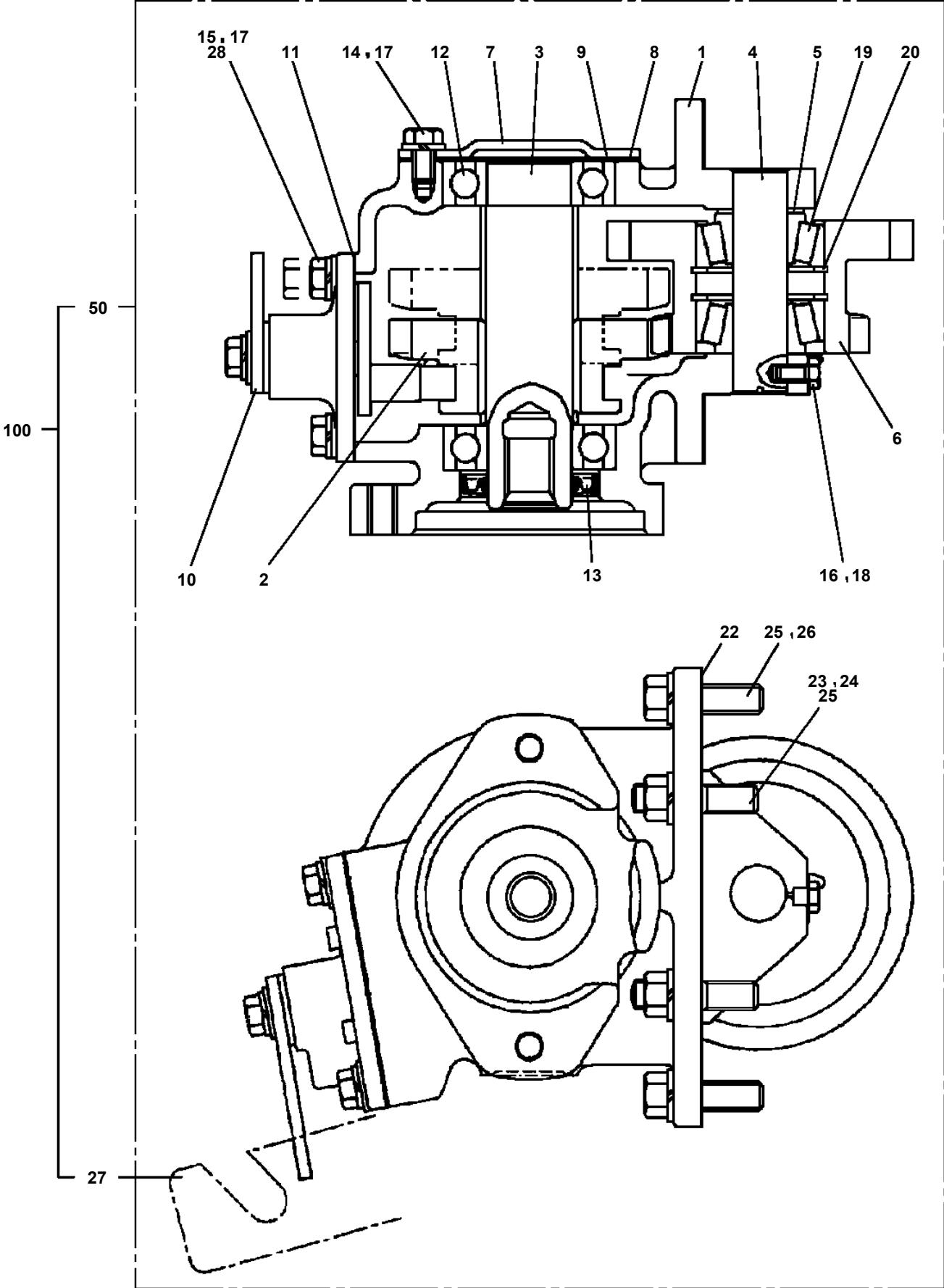
TM-ZR260 41108210760A FRAME/STD,MANUAL,HOOK-IN

Pos No.	Parts No	Parts Name	Qty	Unit	Technical Data	Serial No (Start)	Serial No (End)	Remarks
1	36401885010	CASE	1					
2	36401885020	GEAR	1					
3	36402515010	SHAFT	1					
4	36401885030	GEAR	1					
5	36400415050	SHAFT	1					
6	36400675030	COLLAR	1					
7	36401725050	SHIFTER ASSY	1					
8	36400095110	PACKING	1					
9	36400095070	COVER (BEARING)	1					
10	36400095080	PACKING (COVER)	1					
11	36400095090	SHIM	N					
12	80500006206	BEARING,BALL	2					
13	91206030005	SEAL,OIL	1					
14	91001102100	O-RING	1		1A P21			
15	90710006200	SCREW,SET	1		M6X20			
16	90191208020	BOLT	4		M8X20			
17	90191208014	BOLT	3		M8X14			
18	90302040801	WASHER,SPRING	7		8			
19	36400135070	BEARING	2					
20	80602110620	RING,RITAINING	2		R62			
22	36401885040	PACKING	1					
23	36400095150	BOLT,STUD	2		M10X1.25/1.5X43			
24	90191210030	BOLT	6		M10X30			
25	90267201000	NUT	2		M10			
26	90302041001	WASHER,SPRING	8		10			
27	90191208025	BOLT	2		M8X25			
28	31790670100	SUPPORT	1					
50	36402510000	POWER TAKE OFF ASSY	1					
100	31792480000	POWER TAKE OFF	1					

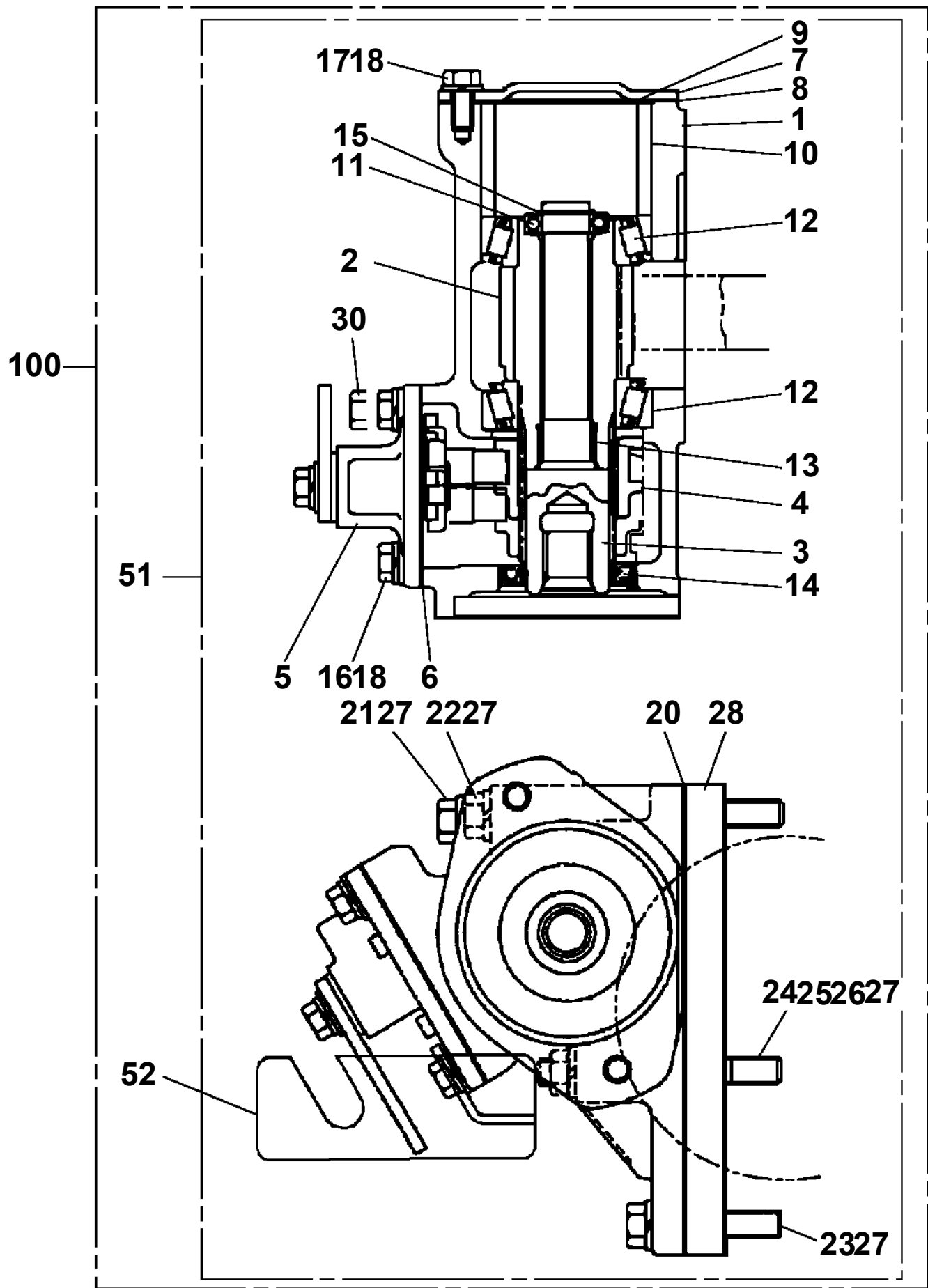
TM-ZR260 41108210760A FRAME/STD,MANUAL,HOOK-IN

Pos No.	Parts No	Parts Name	Qty	Unit	Technical Data	Serial No (Start)	Serial No (End)	Remarks	Pages
1	36401420000	POWER TAKE OFF	1						00001
2	31790990100	SUPPORT	1						
50	31790990000	POWER TAKE OFF	1						

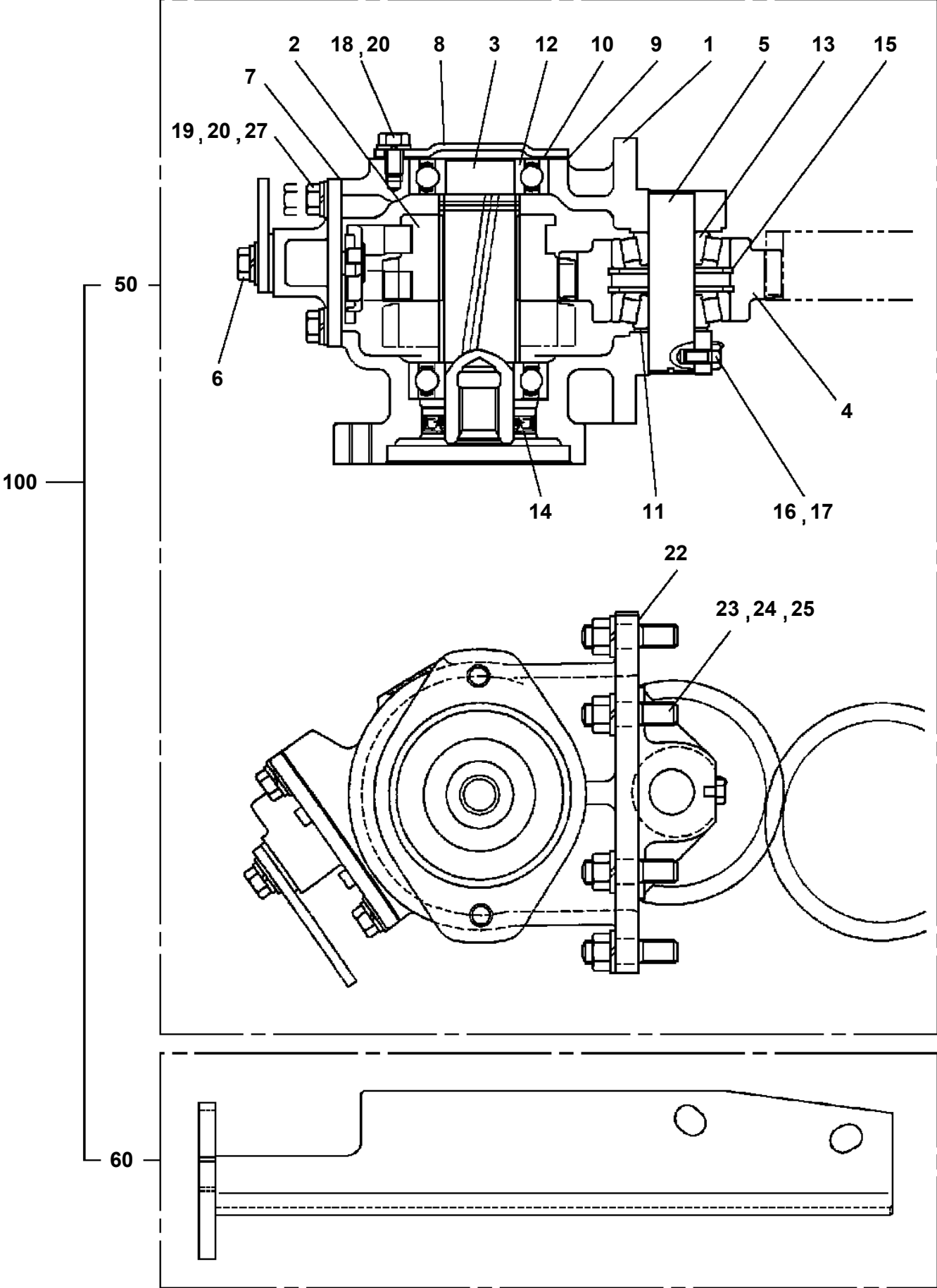
TM-ZR260 41108210760A FRAME/STD,MANUAL,HOOK-IN
PB1030209-01 POWER TAKE OFF



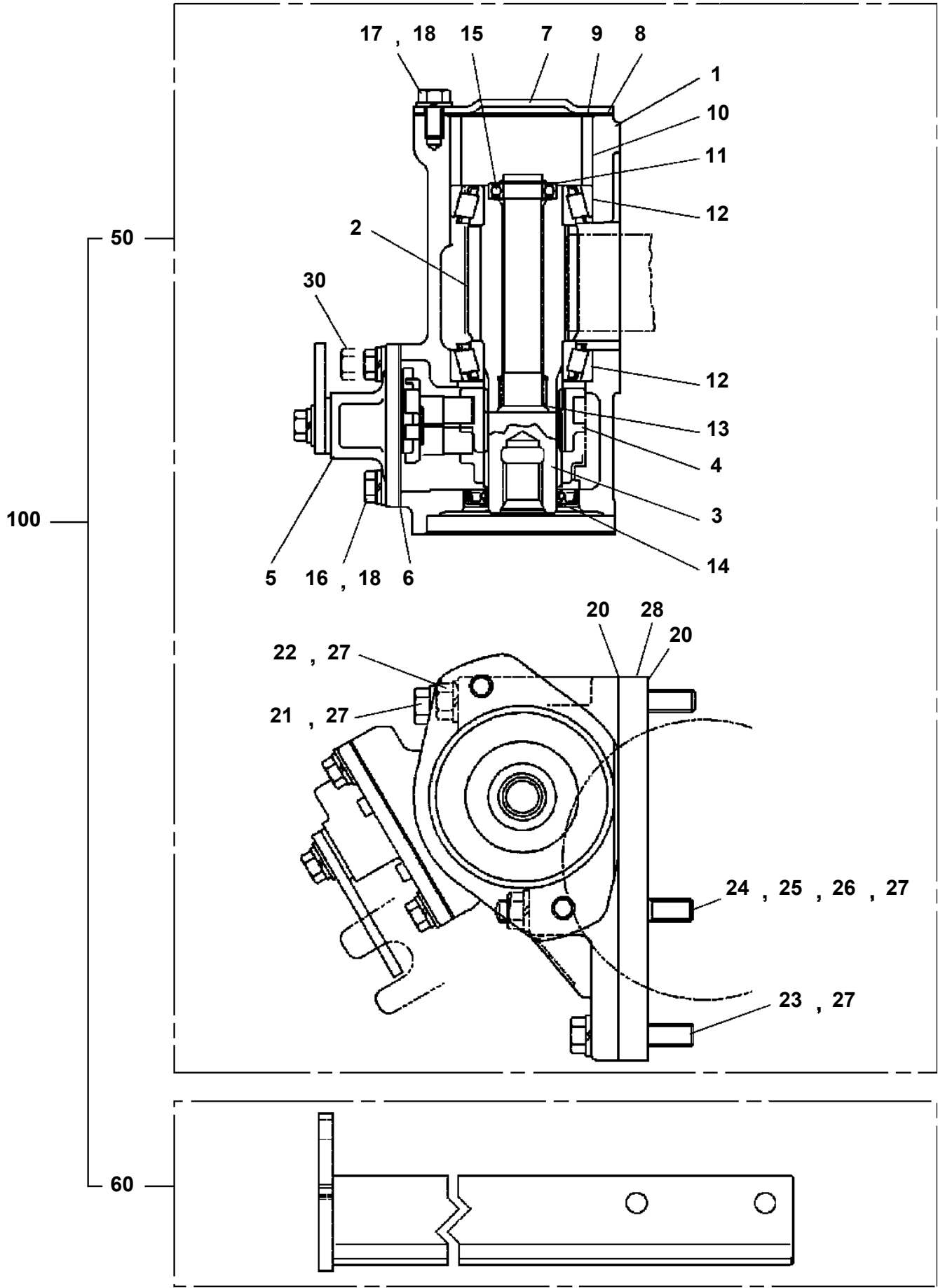
TM-ZR260 41108210760A FRAME/STD,MANUAL,HOOK-IN
PB1030222-00 POWER TAKE OFF



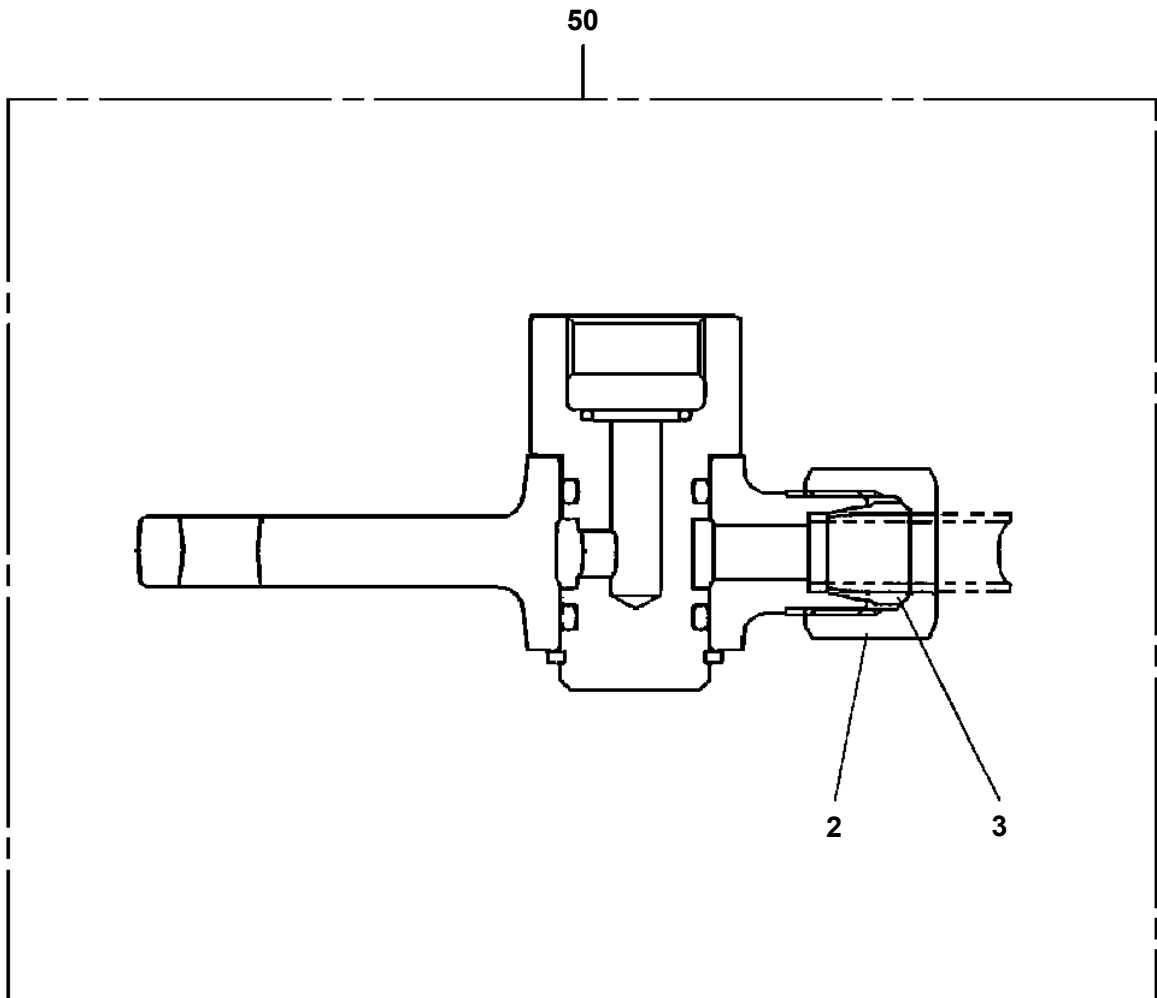
TM-ZR260 41108210760A FRAME/STD,MANUAL,HOOK-IN
PB1030228-00 POWER TAKE OFF



TM-ZR260 41108210760A FRAME/STD,MANUAL,HOOK-IN
PB1030235-01 POWER TAKE OFF

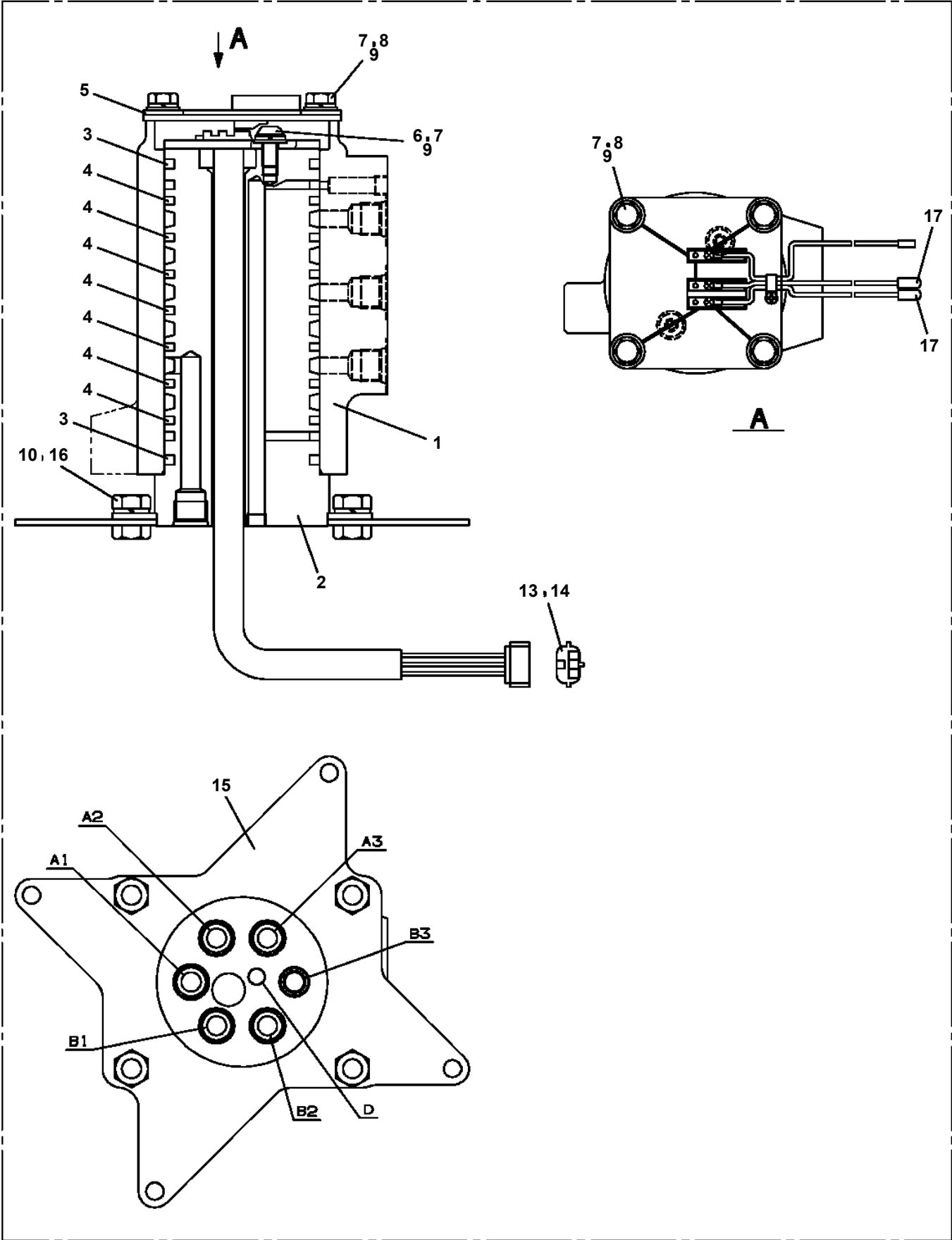


TM-ZR260 41108210760A FRAME/STD,MANUAL,HOOK-IN
PB1300315-01 JOINT,ROTARY



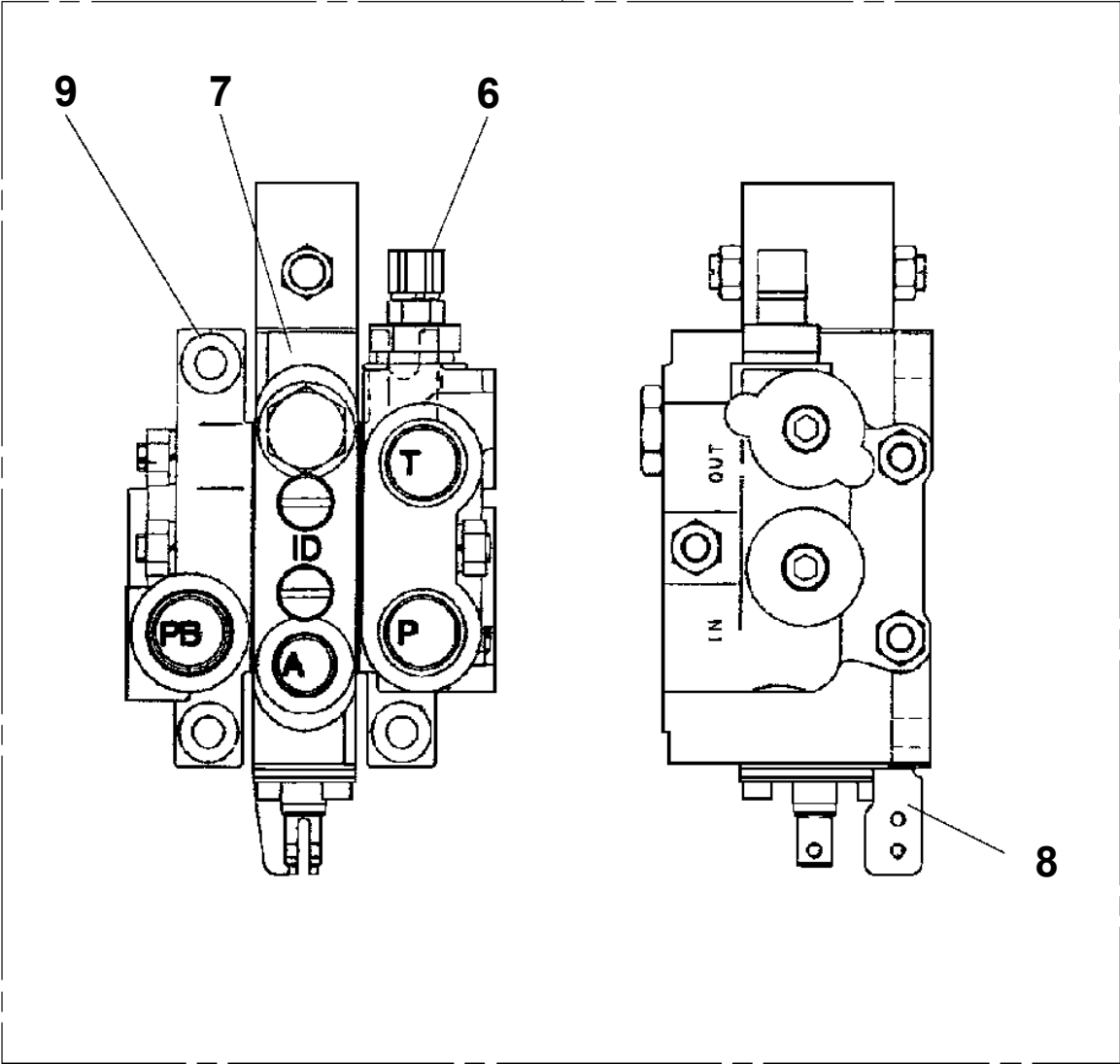
TM-ZR260 41108210760A FRAME/STD,MANUAL,HOOK-IN
PB1300533-00 JOINT,ROTARY

50



TM-ZR260 41108210760A FRAME/STD,MANUAL,HOOK-IN
PB1320517-00 VALVE,MANUAL CONTROL (DUMP)

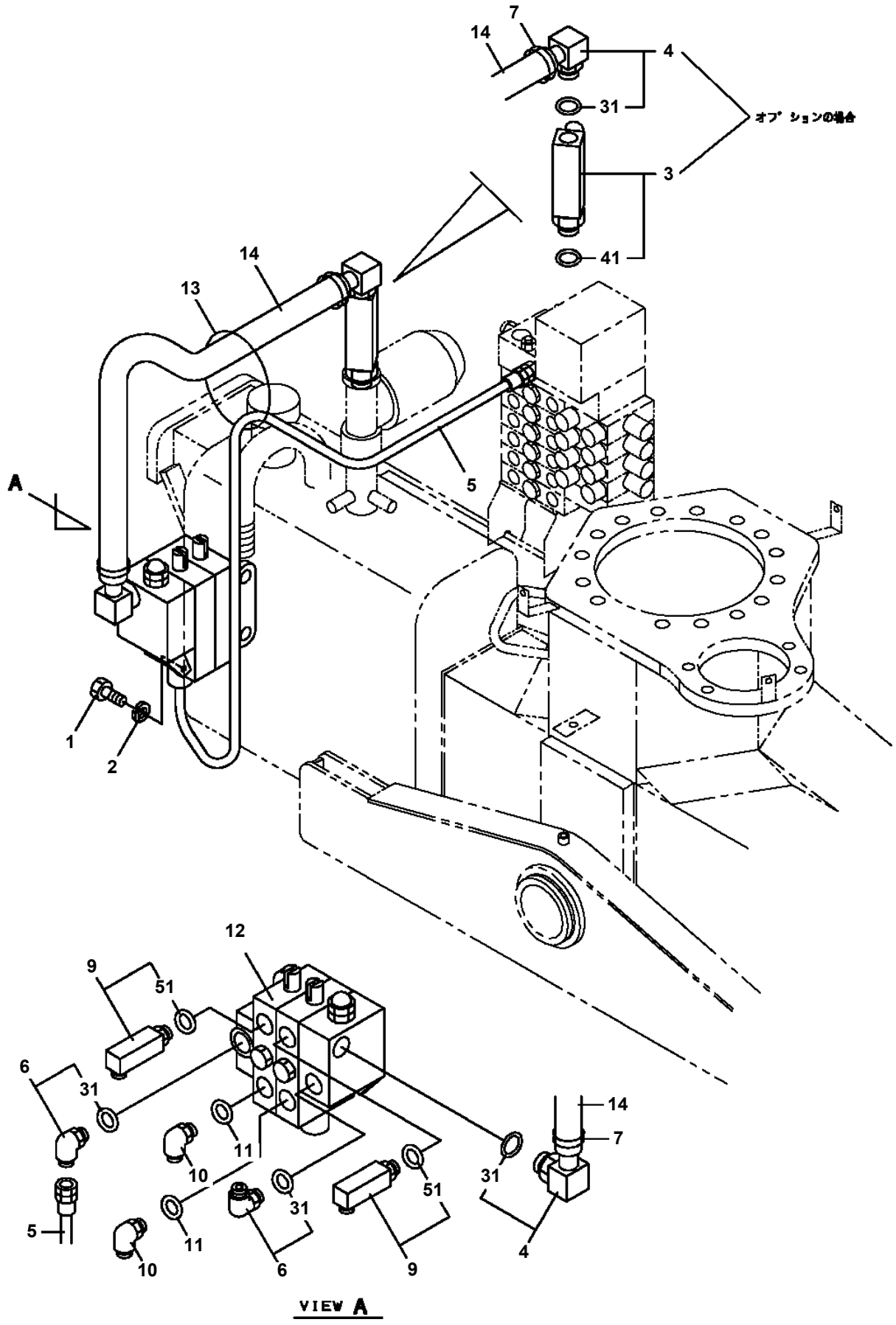
100



TM-ZR260 41108210760A FRAME/STD,MANUAL,HOOK-IN

Pos No.	Parts No	Parts Name	Qty	Unit	Technical Data	Serial No (Start)	Serial No
1	36637335010	VALVE (BODY ASSY)	1				
2	36637635010	VALVE,CONTROL (ELEVATING)	1				
3	36637335030	VALVE,CONTROL (WINCH)	1				
4	36637635020	VALVE,CONTROL (TELESCOPING)	1				
5	36637545020	VALVE,CONTROL (SWING)	1				
6	36637335060	VALVE,CONTROL (JACK 2)	1				
7	36637335070	VALVE,CONTROL (JACK 1)	1				
8	36637335080	COVER (SIDE)	1				
9	36633165030	BOLT	1		M8X323		
10	36637335090	BOLT	3		M8X303		
11	90201200800	NUT	9		M8		
13	36637455030	VALVE,UNLOAD	1				
31	36637335110	BODY	1				
32	91002905500	O-RING	7		1B G55		
33	91002801800	O-RING	3		1B P18		
34	91002803500	O-RING	1		1B P35		
35	91002800600	O-RING	1		1B P6		
36	36637335120	PLUG	1		PF1/4		
37	91002801100	O-RING	1		1B P11		
38	36647205050	PLUG	3		NPT1-16		
45	36637335130	O-RING	12		1A P14.5		
46	36637335140	SEAL,DUST	12				
47	36637335150	RETAINER (SEAL)	9				
48	36637335160	RETAINER (SPRING)	12				
49	36637335170	SPRING	6				
50	36637335180	END,SPOOL	6				
51	36637335190	COVER (SPRING)	4				
52	36637335200	BOLT,HEXAGON SOCKET	12		M6X20		
53	36637335210	COVER	3				
54	36637335220	BOLT,HEXAGON SOCKET	6		M6X15		
55	36636435060	VALVE,CHECK	6				
56	36635555080	SPRING	4				
57	36635045040	RETAINER (VALVE)	4				
58	91002801400	O-RING	7		1B P14		
59	36637335230	SOCKET	1				
60	36637335240	O-RING	1		1AS10		
61	36637335250	O-RING	1		1A S11.2		
62	36637335260	O-RING	1		1AS14		
63	36637335270	SPRING	1				
64	36637335280	SPOOL	1				
65	36637335290	SOLENOID ASSY	1				
66	36637335300	BOLT,HEXAGON SOCKET	2		M4X8		
67	36647205070	PLUG	4		GPM1/32		
73	36637335310	BOLT,HEXAGON SOCKET	6		M6X10		
75	36635535140	SPRING	2				
76	36634085090	RETAINER (VALVE)	2				
78	36637335320	SEAT,VALVE	1				
79	14225101010	VALVE,REGULATOR	2				
80	36635175110	SPRING	1				
81	36637335330	CAP	1				
82	36637335340	O-RING	1		1B P15		
90	36637335350	COVER	2				
103	36637335370	SPOOL	1				
104	36637545050	SPRING	1				
105	91002800800	O-RING	1		1B P8		
106	36634915280	PLUG	1				
108	91002800900	O-RING	1		1B P9		
109	36637455020	SEAT,VALVE	1				
110	19215101010	O-RING	1				
111	36630285130	BODY	1				
112	91001001600	O-RING	2		1A S16		
114	16025153020	SPRING	1				
115	36630045200	SCREW (ADJUSTING)	1		M10X25		

TM-ZR260 41108210760A FRAME/STD,MANUAL,HOOK-IN
 PB1410977-02 PIPING,LOWER(MAIN--R/J VALVE)



VIEW A

TM-ZR260 41108210760A FRAME/STD,MANUAL,HOOK-IN

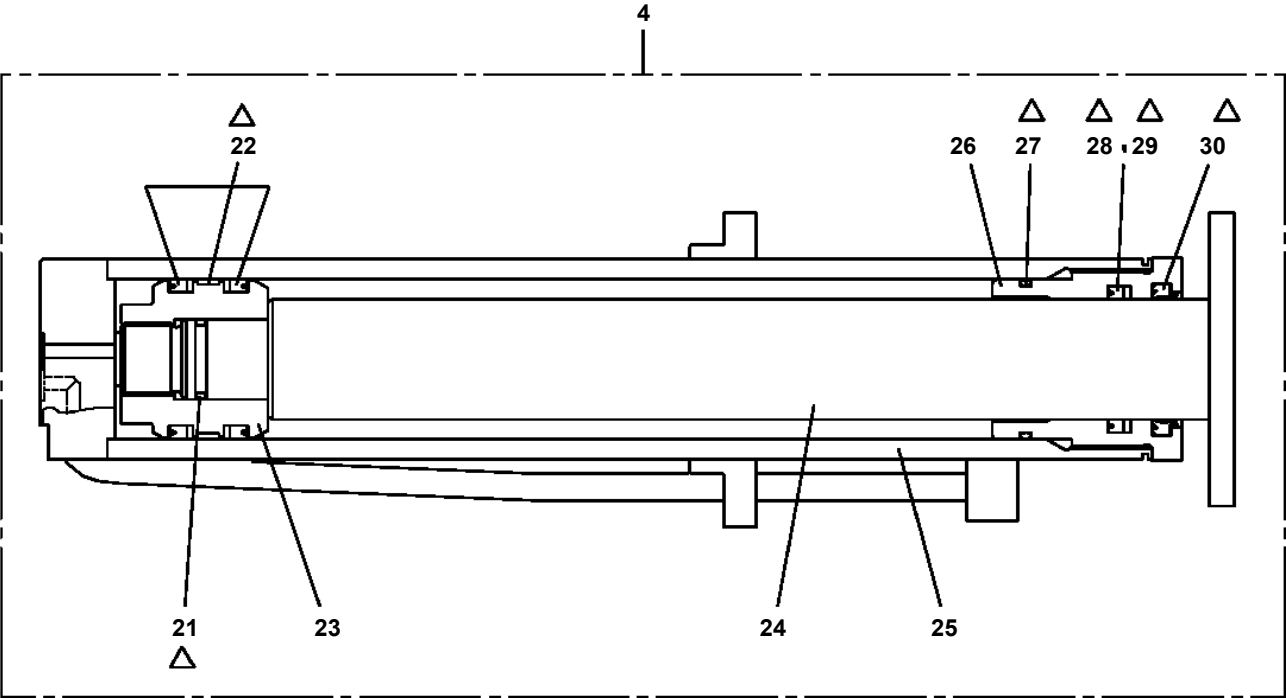
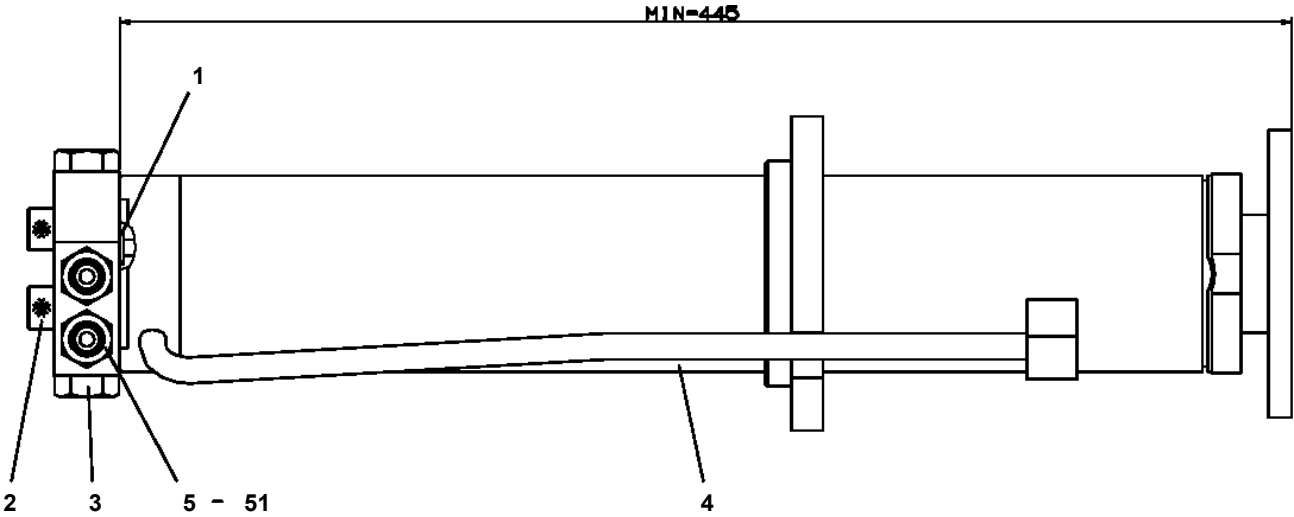
Pos No.	Parts No	Parts Name	Qty	Unit	Technical Data	Serial No (Start)	Serial No (End)	Rema
1	81408000100	PIPE,STEEL	1	M	10X1.2T			
2	81408000100	PIPE,STEEL	1	M	10X1.2T			
3	91803880070	CLIP	2		D=13.1-16.2			
4	91803600200	CLIP	1		D=13-20			
5	91810130270	FASTENER	2					
6	31641800300	COVER	1					
7	91810130240	FASTENER	3					
8	90101208055	BOLT	2		M8X55			
9	37005700140	CLAMP	2					
10	90201200800	NUT	2		M8			
11	90302040801	WASHER,SPRING	2		8			
12	90303070801	WASHER,PLAIN	2		8			
13	37002510120	HOSE	1		L=1200			
14	31644591300	JOINT	1					
15	91002801100	O-RING	5		1B P11			
16	80302120080	FITTING	8		POA10PF3/8			
17	91002801400	O-RING	13		1B P14			
18	81408000100	PIPE,STEEL	2	M	10X1.2T			
19	81408000100	PIPE,STEEL	2	M	10X1.2T			
21	81408000100	PIPE,STEEL	2	M	10X1.2T			
22	81408000100	PIPE,STEEL	2	M	10X1.2T			
23	90186210014	BOLT,FLANGE	2		M10X14			
24	37000924350	FITTING	4					
25	91803600400	CLIP	2		D=27-40			
26	36672390000	FILTER,OIL (WAKO)	1					
27	91002802900	O-RING	1		1B P29			
28	80400160180	JOINT (WITH O-RING)	1					
29	80481003027	JOINT	1					
30	80481003037	JOINT	4					
41	80400160202	JOINT (FOR RETURN FILTER)	1					
51	37002455310	HOSE	4		L=1365			
52	80491002020	JOINT (WITH O-RING)	4					
53	31644591450	JOINT	2					
54	91810130240	FASTENER	6					
61	91002801400	O-RING	1		1B P14			
71	91002802900	O-RING	1		1B P29			
81	91002801100	O-RING	4		1B P11			

**TM-ZR260 41108210760A FRAME/STD,MANUAL,HOOK-IN
PB2000050-00 POWER TAKE OFF & PUMP**

- 1
 - POWER TAKE OFF ASSY
 - PTO ASSYの選定

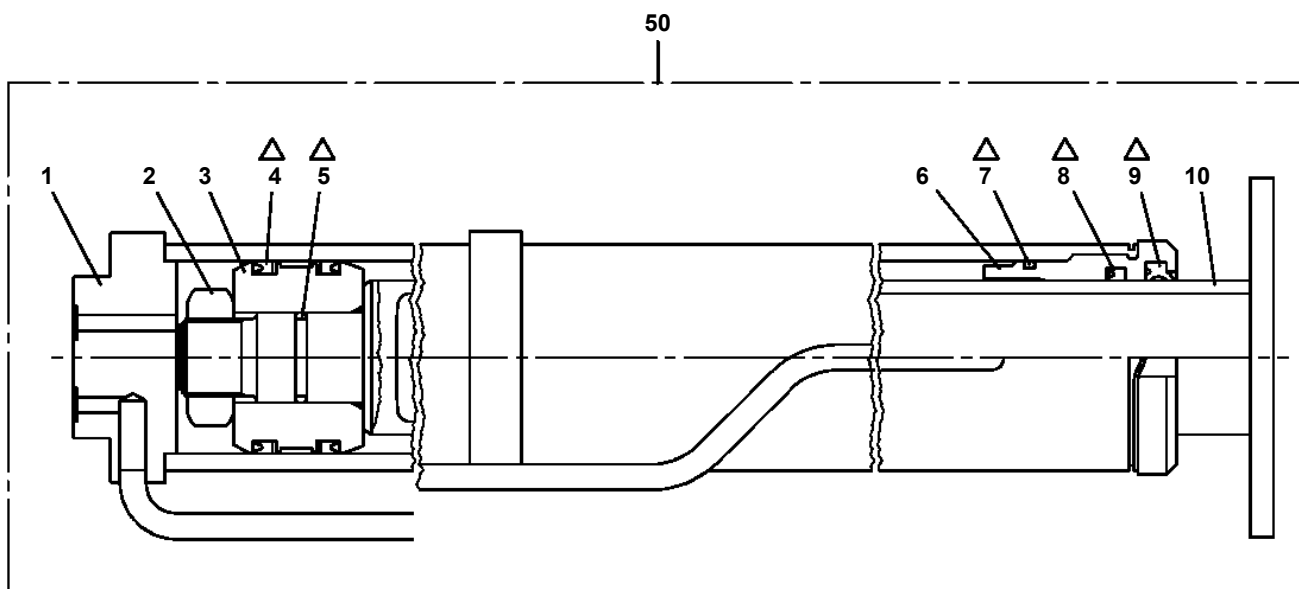
- 2
 - PUMP ASSY
 - ポンプASSYの選定

**TM-ZR260 41108210760A FRAME/STD,MANUAL,HOOK-IN
PC1030185-04 CYLINDER,JACK (REAR)**



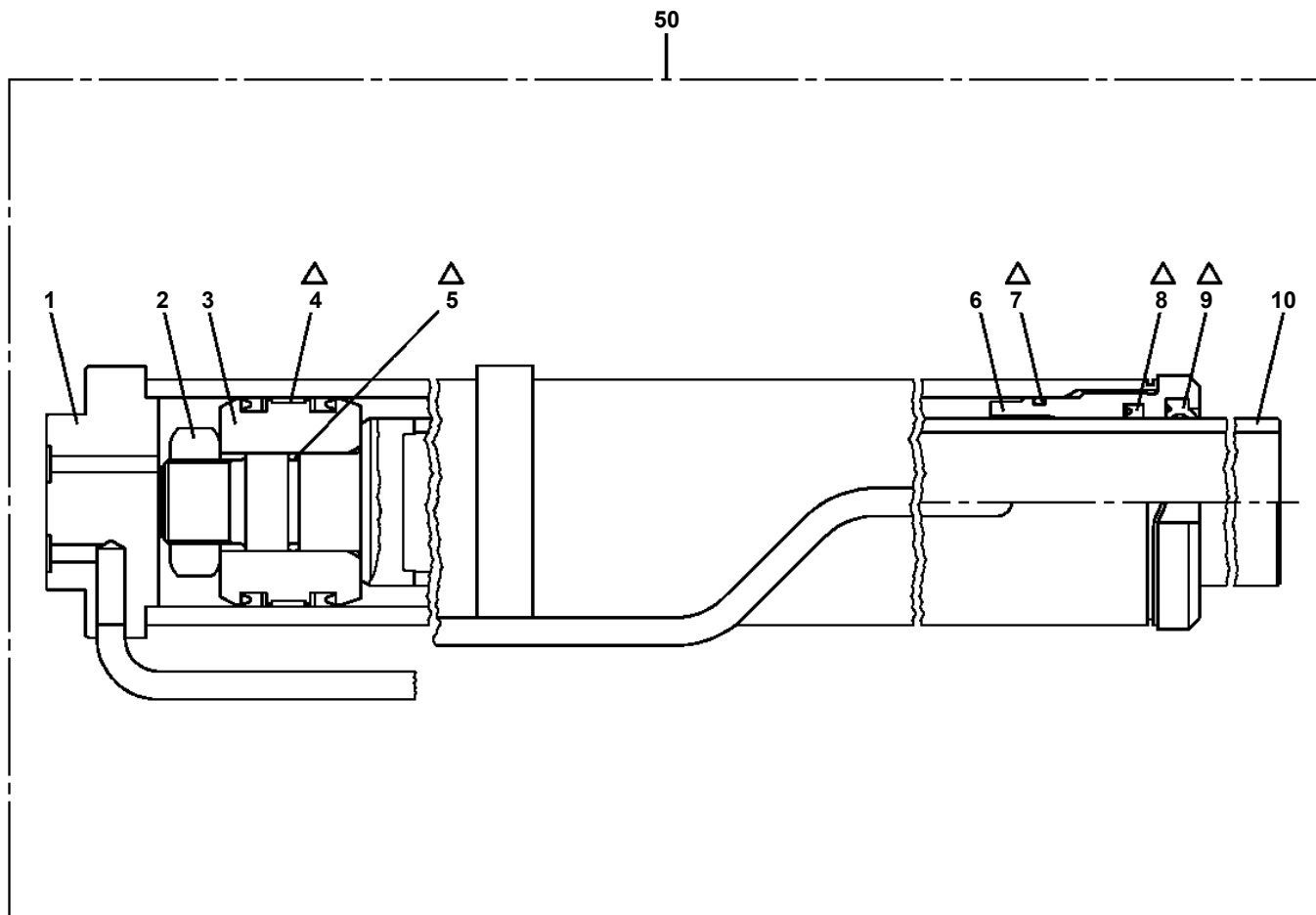
△:PACKING SET KEY NO.41 (KEY NO.21,22,27,28,29,30)

TM-ZR260 41108210760A FRAME/STD,MANUAL,HOOK-IN
PC1030419-00 CYLINDER,JACK (WELDED STRUCTURE)



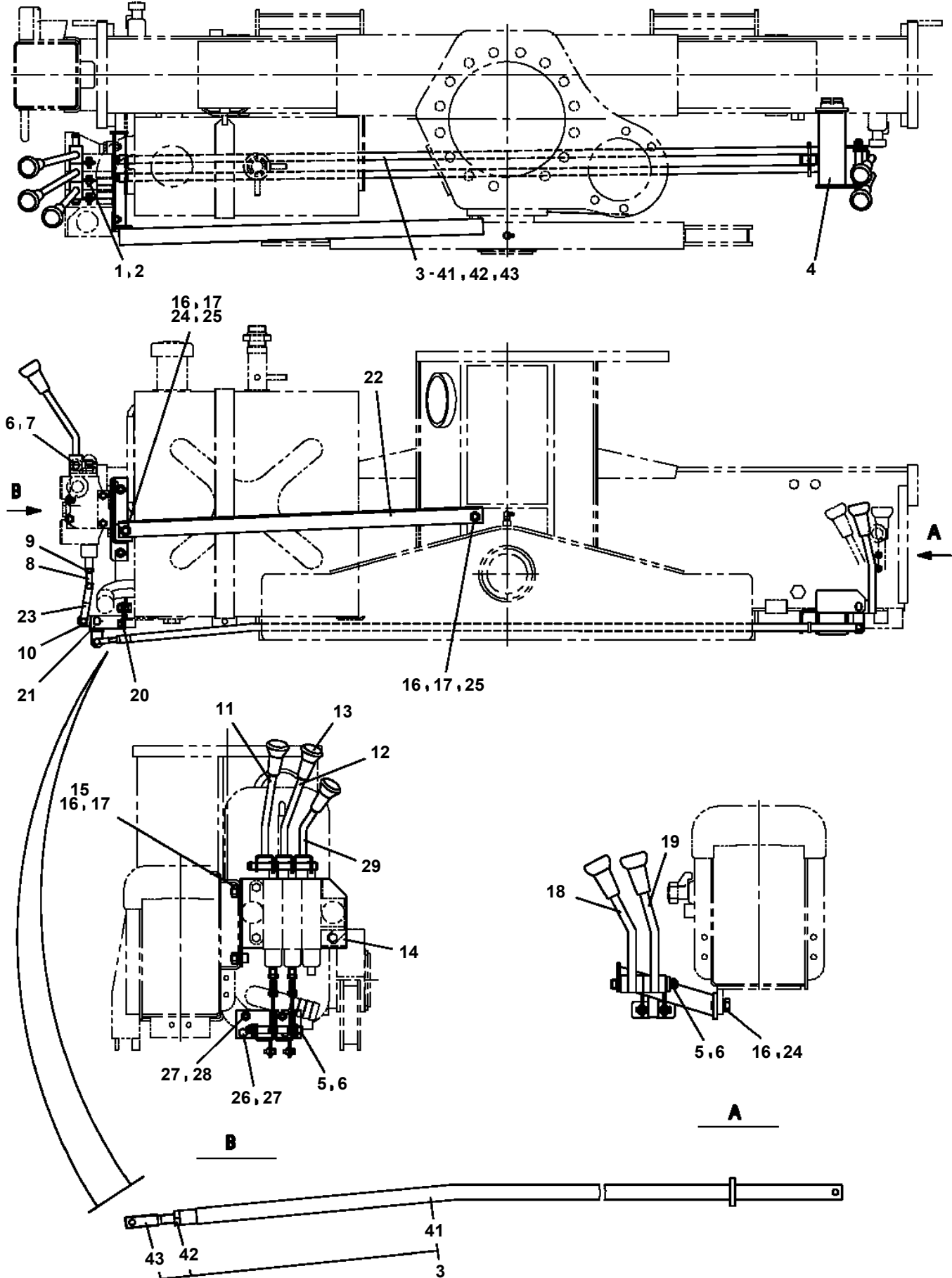
Δ:PACKING SET KEY NO. 20 (KEY NO.4,5,7,8,9)

TM-ZR260 41108210760A FRAME/STD,MANUAL,HOOK-IN
PC1030462-00 CYLINDER,JACK (FRICTION-WELDED)

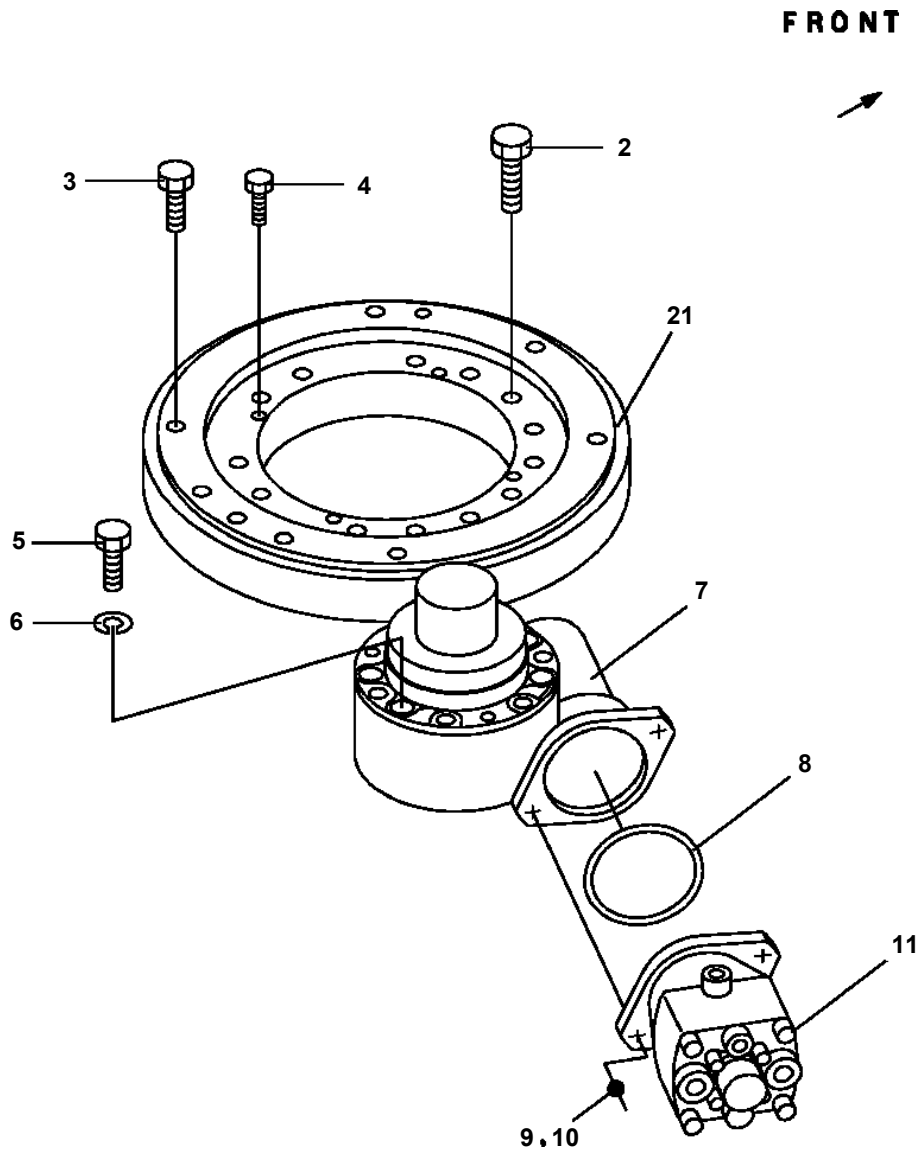


Δ:PACKING SET KEY NO.30 (KEY NO.4,5,7,8,9)

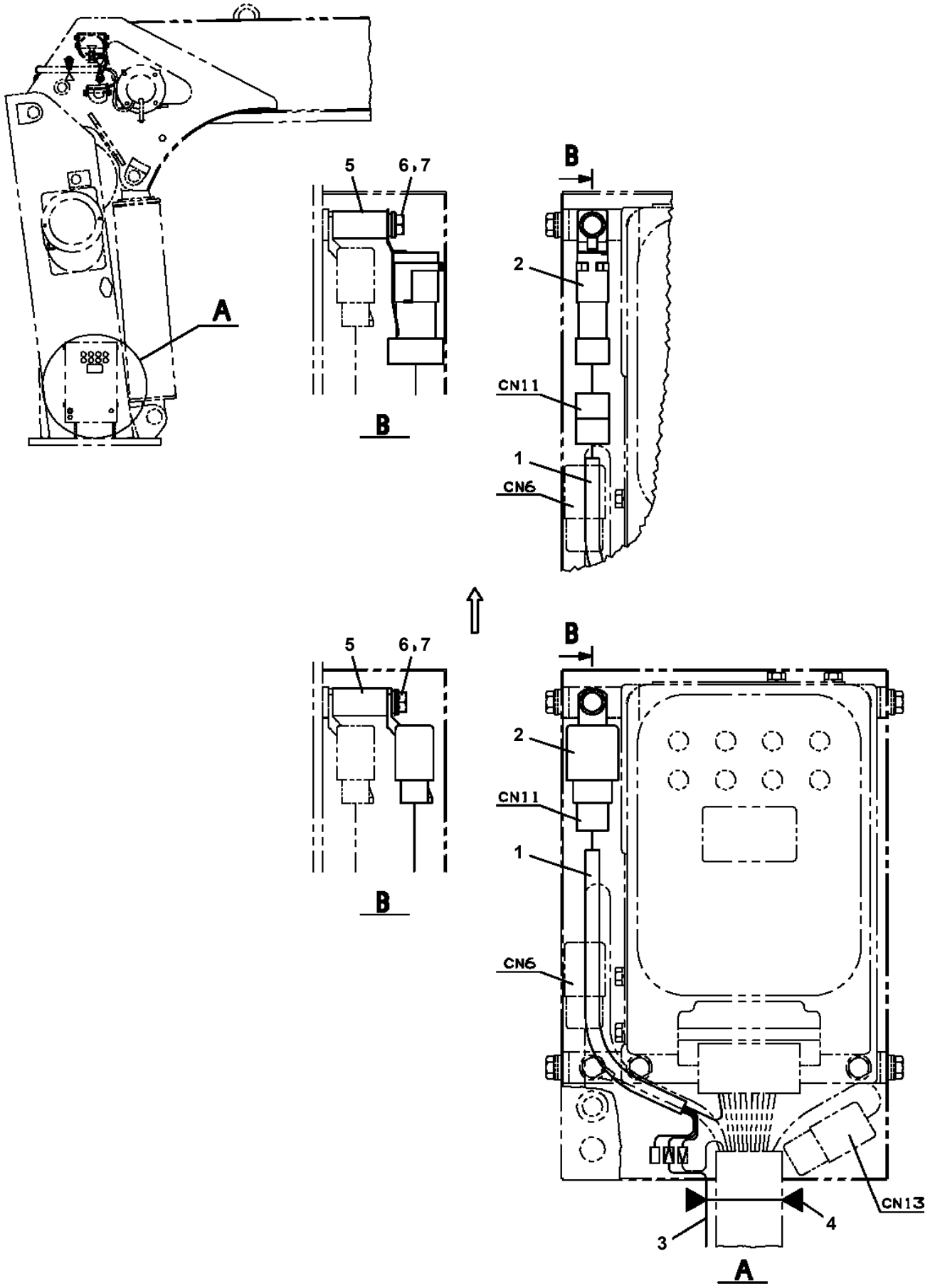
**TM-ZR260 41108210760A FRAME/STD,MANUAL,HOOK-IN
PC1100198-01 OPE.ASSY,O/R (ROTARY R/J+SEAVICE PORT)**



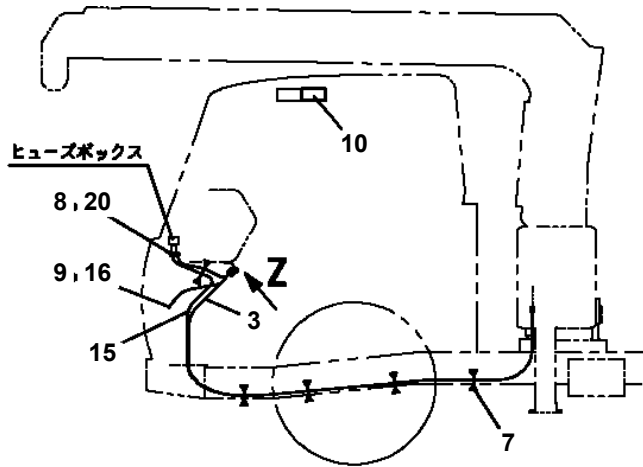
TM-ZR260 41108210760A FRAME/STD,MANUAL,HOOK-IN
PD1010164-01 REDUCER,SWING SPEED (MOUNT)



TM-ZR260 41108210760A FRAME/STD,MANUAL,HOOK-IN
PE5020102-01 ELEC.ASSY

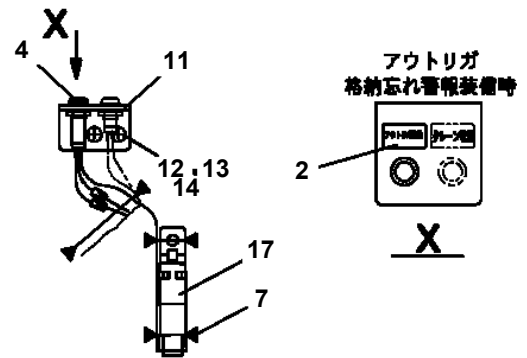
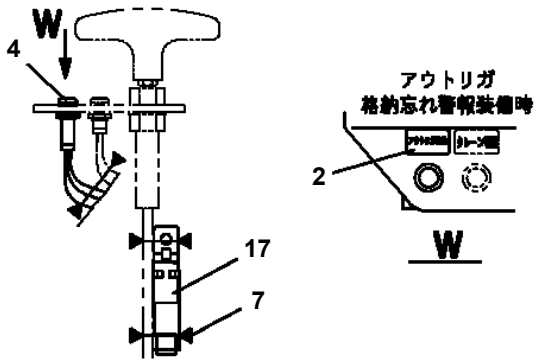


TM-ZR260 41108210760A FRAME/STD,MANUAL,HOOK-IN
PE5020793-01 ELEC.ASSY (CARRIER)

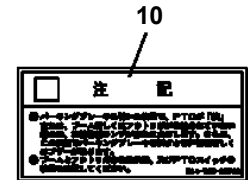
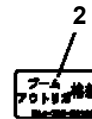
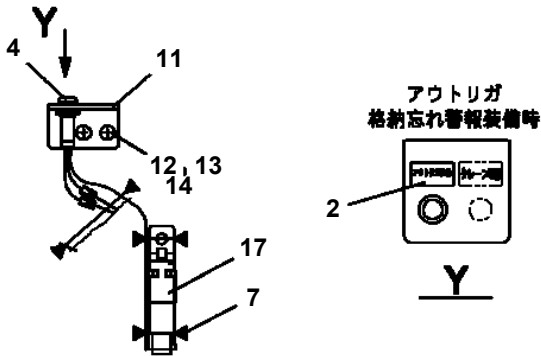


Aタイプ：PTOレバーがハンドル横にある場合

Bタイプ：PTOレバーが座席横にある場合

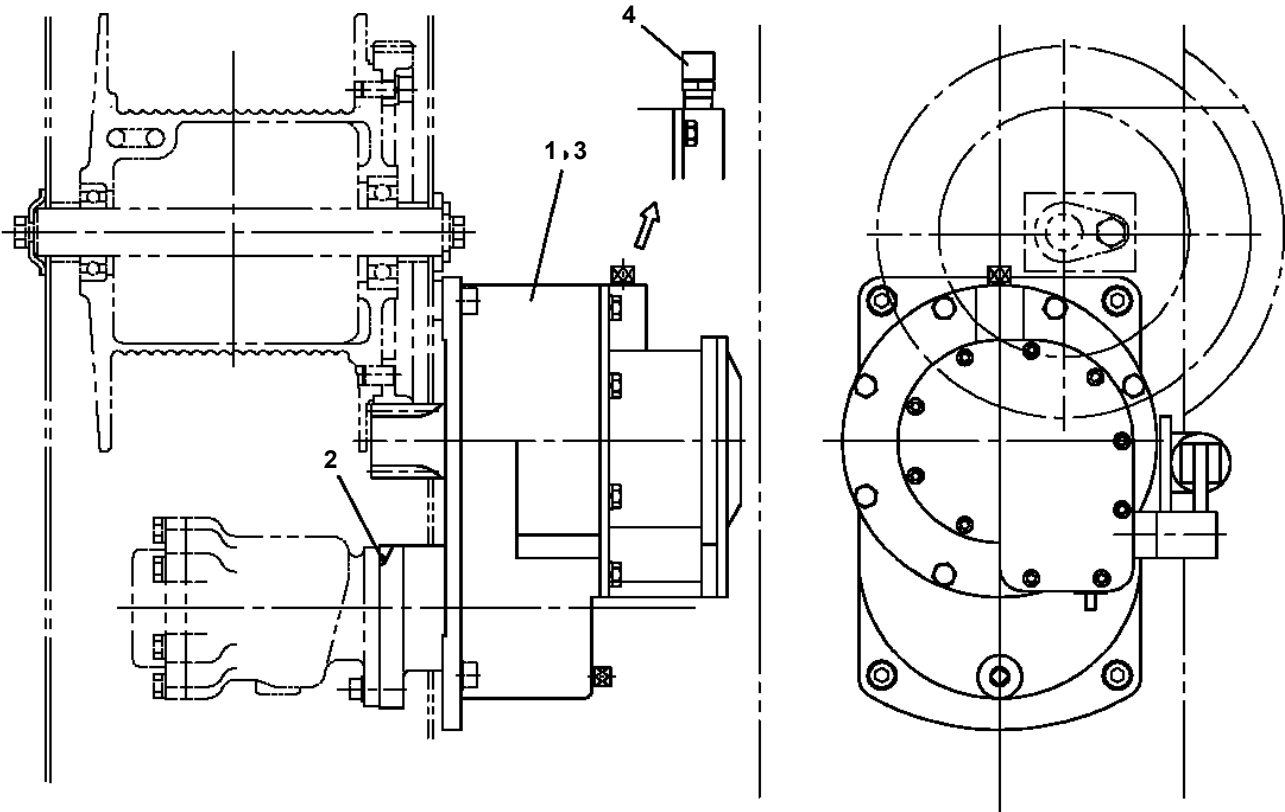


Cタイプ：純正PTO付きの場合



Z
PTO操作部詳細

**TM-ZR260 41108210760A FRAME/STD,MANUAL,HOOK-IN
PF1010131-01 WINCH (DRUM FREE,OPTION)**



TM-ZR260 41108210760A FRAME/STD,MANUAL,HOOK-IN

Pos No.	Parts No	Parts Name	Qty	Unit	Technical Data	Serial No (Start)	Serial No (End)	Remarks
1	36072255010	CASING	1					
2	36072255020	COVER	1					
3	36072255030	GEAR (1)	1					
6	36072255060	DISK	1				ET6538	
	36073425030	DISK	1			ET6539		
7	36073425020	WHEEL,RATCHET	1					
8	36072255080	BUSH	1				ET6538	
	36073425040	BUSH	1			ET6539		
9	36072255091	RING,SLIP	1					
10	36072255101	RATCHET	1					
11	36072255110	PIN	1					
12	36072255120	SPRING	1					
13	36072255130	PIN	1					
14	36072255140	PLATE (LOCK)	1					
15	80172304010	SCREW,MACHINE	1		M4X10			
17	36072255160	BOLT (WITH WASHER)	6		M8X25			
19	36072255180	GAUGE,OIL	1					
20	36072255240	PLUG	1					
21	80500006004	BEARING,BALL	1					
22	80500006212	BEARING,BALL	1					
23	80500006305	BEARING,BALL	1					
24	80500006007	BEARING,BALL	1					
25	36072255190	KEY	2		7X7X20			
26	36072255250	O-RING	1					
27	91001101500	O-RING	1		1A P15			
28	36072255210	SEAL,OIL	1					
29	36072255220	NUT,CASTLE	1		M24			
30	80136350035	PIN,SPLIT	1		5X35			
31	80602110620	RING,RITAINING	1		R62			
41	36073435010	GEAR SET	1				ET6538	
	36073435011	GEAR SET	1			ET6539		
50	36073430000	WINCH (OOKUBO)	1					
101	36072251000	FACING KIT(JAPANESE)	1					
102	36072252000	FACING KIT (ENGLISH)	1					

TM-ZR260 41108210760A FRAME/STD,MANUAL,HOOK-IN

Pos No.	Parts No	Parts Name	Qty	Unit	Technical Data	Serial No (Start)	Serial No (End)	Rema
1	14211695513	HOOK ASSY	1					
2	36090239510	BODY ASSY	1					
3	80500051205	BEARING,BALL	1					
4	80136350060	PIN,SPLIT	1		5X60			
7	90710008200	SCREW,SET	1		M8X20			
12	36094049510	STOPPER ASSY	1					
20	36090230000	HOOK (1-PART LINE ,OPTION)	1					

TM-ZR260 41108210760A FRAME/STD,MANUAL,HOOK-IN

Pos No.	Parts No	Parts Name	Qty	Unit	Technical Data	Serial No (Start)	Serial No (End)	Remarks	Pages
1	31440241000	ROLLER ASSY	1						
2	37000105740	PIN	2						
3	80136332020	PIN,SPLIT	2		3.2X20				
4	90303071001	WASHER,PLAIN	4		10				
5	37001300000	SPRING	2						
21	37001107470	ROLLER ASSY	2						
22	37001108130	ROLLER ASSY	1						
23	31440241100	PIN	1						
24	31440241200	SUPPORT	1						
25	31440150350	WASHER,PLAIN	2						
26	90286001007	NUT	2		M10 P=1.25				
42	80516006001	BEARING,BALL	4						
53	80602110280	RING,RITAINING	2		R28				

TM-ZR260 41108210760A FRAME/STD,MANUAL,HOOK-IN

Pos No.	Parts No	Parts Name	Qty	Unit	Technical Data	Serial No (Start)	Serial No (End)	Remark
1	36131315010	PLATE (BASE)	1					
2	36131745020	CASE	1					
3	36131745030	DRUM ASSY	1					
4	32360005050	RING,SLIP	1					
5	32360005060	CONTACTOR ASSY	1					
6	36131745040	CASE	1					
7	36131745050	PACKING	1					
8	91001209000	O-RING	1		1A G90			
9	36131745060	BRACKET	1					
10	36131745010	POTENTIOMETER	1					
11	36130915030	SEAL	1					
12	36131745070	GEAR	1					
13	82100000192	TERMINAL	1					
14	36161185010	CAP	1					
15	82100000191	TERMINAL	1					
16	36131625050	CAP	1					
17	31370005080	GUIDE (CORD)	1					
18	36131745080	CORD ASSY	1					
19	82100001406	CONNECTOR (SEAL)	1					
20	36130795030	STOPPER	2					
31	36131745090	CORD	13	M				
100	36131740000	DETECTOR,BOOM LENGTH	1					

TM-ZR260 41108210760A FRAME/STD,MANUAL,HOOK-IN

Pos No.	Parts No	Parts Name	Qty	Unit	Technical Data	Serial No (Start)	Serial No (End)	Remarks	Pages
1	31477172600	ROPE ASSY	1		L=1480				

TM-ZR260 41108210760A FRAME/STD,MANUAL,HOOK-IN

Pos No.	Parts No	Parts Name	Qty	Unit	Technical Data	Serial No (Start)	Serial No (End)	Remarks	Pages
1	31502991101	HARNESS	1						

TM-ZR260 41108210760A FRAME/STD,MANUAL,HOOK-IN

Pos No.	Parts No	Parts Name	Qty	Unit	Technical Data	Serial No (Start)	Serial No (End)	Rema
13	36662185010	KEY (FEATHER)	1					
40	36662415020	SEAL KIT	1					
50	36663100000	MOTOR,HYDRAULIC (WINCH)	1					

CLICK HERE TO **DOWNLOAD** THE COMPLETE MANUAL

- Thank you very much for reading the preview of the manual.
- You can download the complete manual from: www.heydownloads.com by clicking the link below



- Please note: If there is no response to CLICKING the link, please download this PDF first and then click on it.

CLICK HERE TO **DOWNLOAD** THE COMPLETE MANUAL

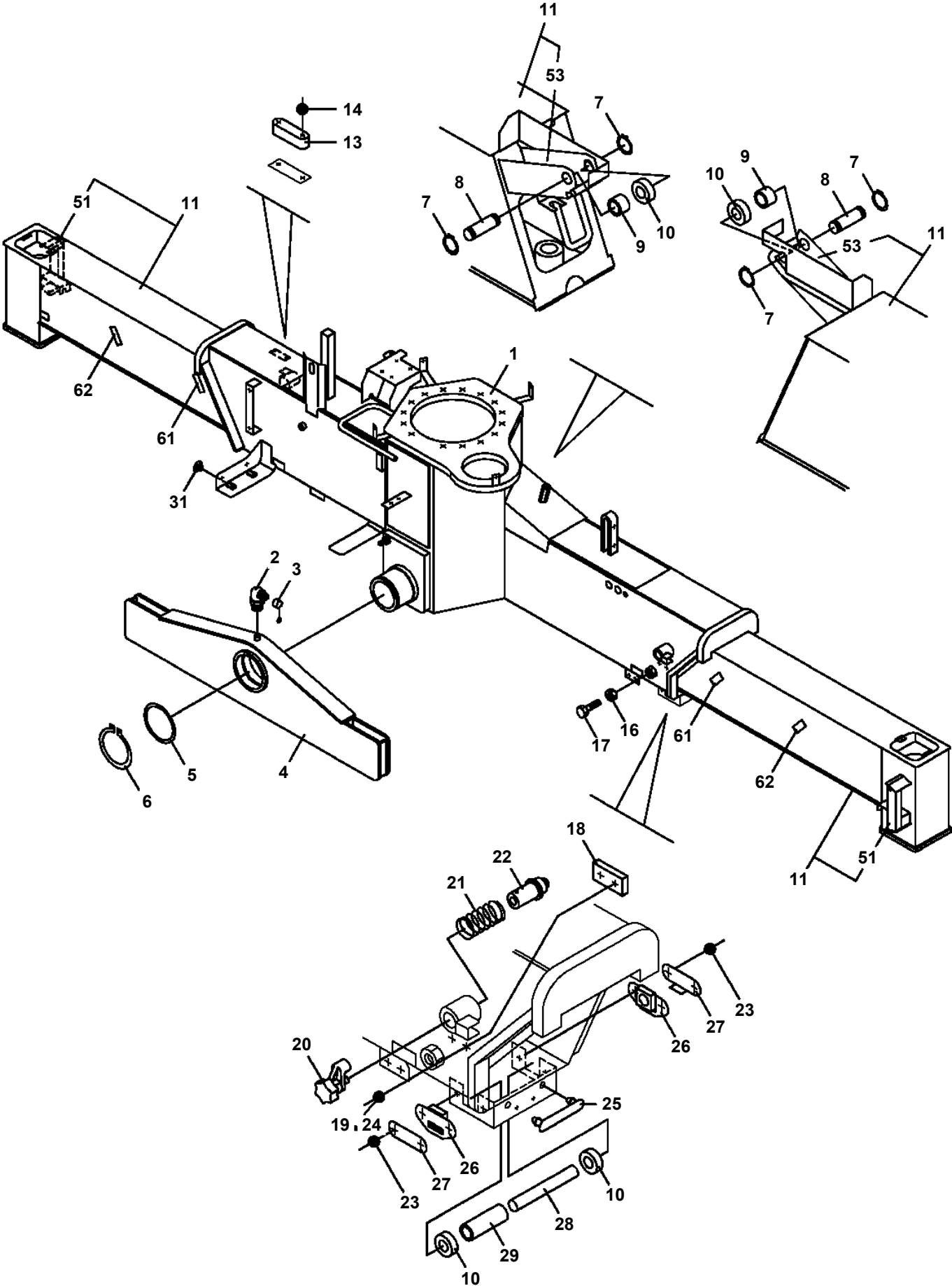
TM-ZR260 41108210760A FRAME/STD,MANUAL,HOOK-IN

Pos No.	Parts No	Parts Name	Qty	Unit	Technical Data	Serial No (Start)	Serial No (End)	Remark
4	91411001100	RING,BACKUP	1					
5	37001201750	SPRING	1					
6	91002801800	O-RING	1		1B P18			
8	82441810100	PLUG	2				EY2999	
9	36605180020	PLUG	1					
10	36605200300	POPPET	1					
11	37001201760	SPRING	1					
12	91002801400	O-RING	2		1B P14			
13	91002801100	O-RING	3		1B P11			
14	91002800800	O-RING	2		1B P8	EY3000		
28	80316100010	PLUG	2		GPF1/8	EY3000		
50	36605180001	VALVE,COUNTERBALANCE	1					

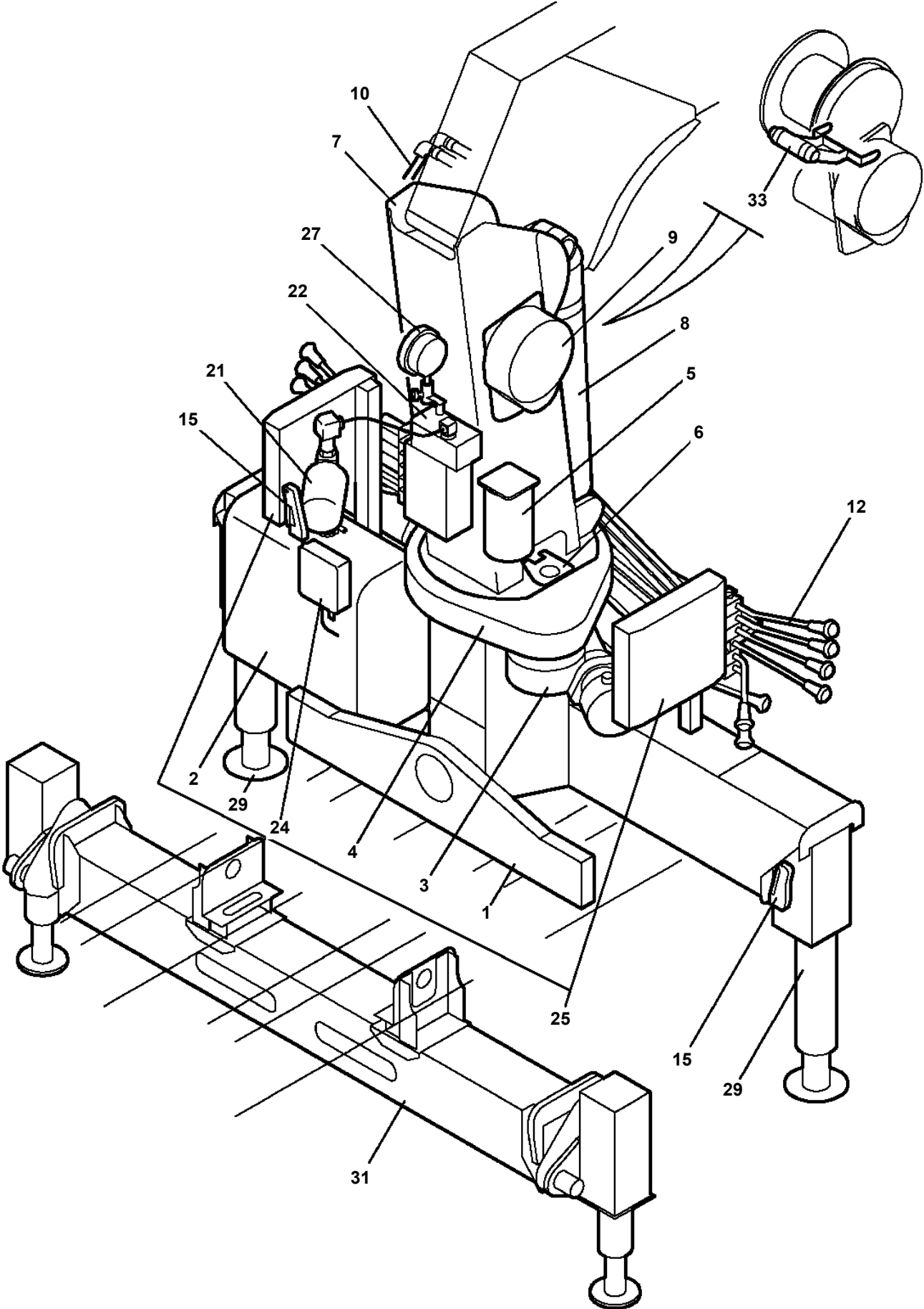
TM-ZR260 41108210760A FRAME/STD,MANUAL,HOOK-IN

Pos No.	Parts No	Parts Name	Qty	Unit	Technical Data	Serial No (Start)	Se
1	36682370001	METER,LOAD (2.6TON ENG&JAPANESE/NAGANO)	1				

TM-ZR260 41108210760A FRAME/STD,MANUAL,HOOK-IN
PK1011027-00 FRAME



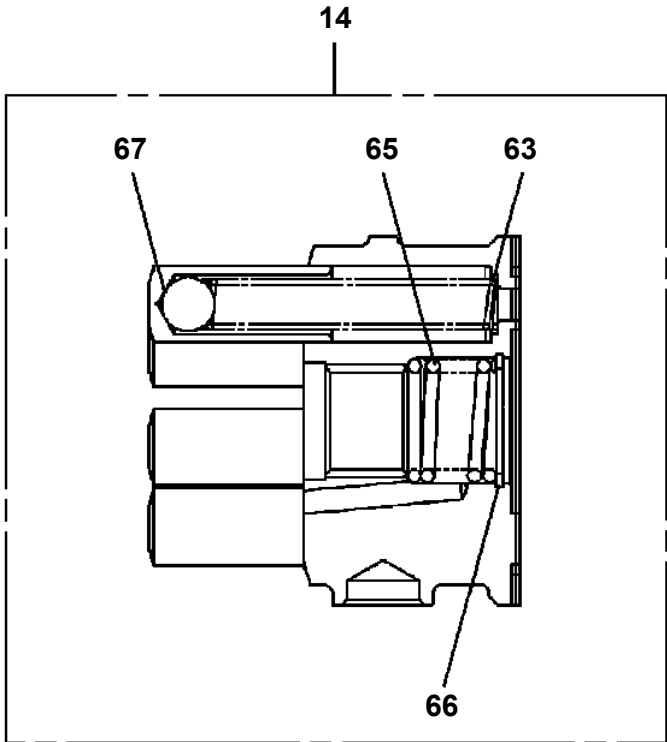
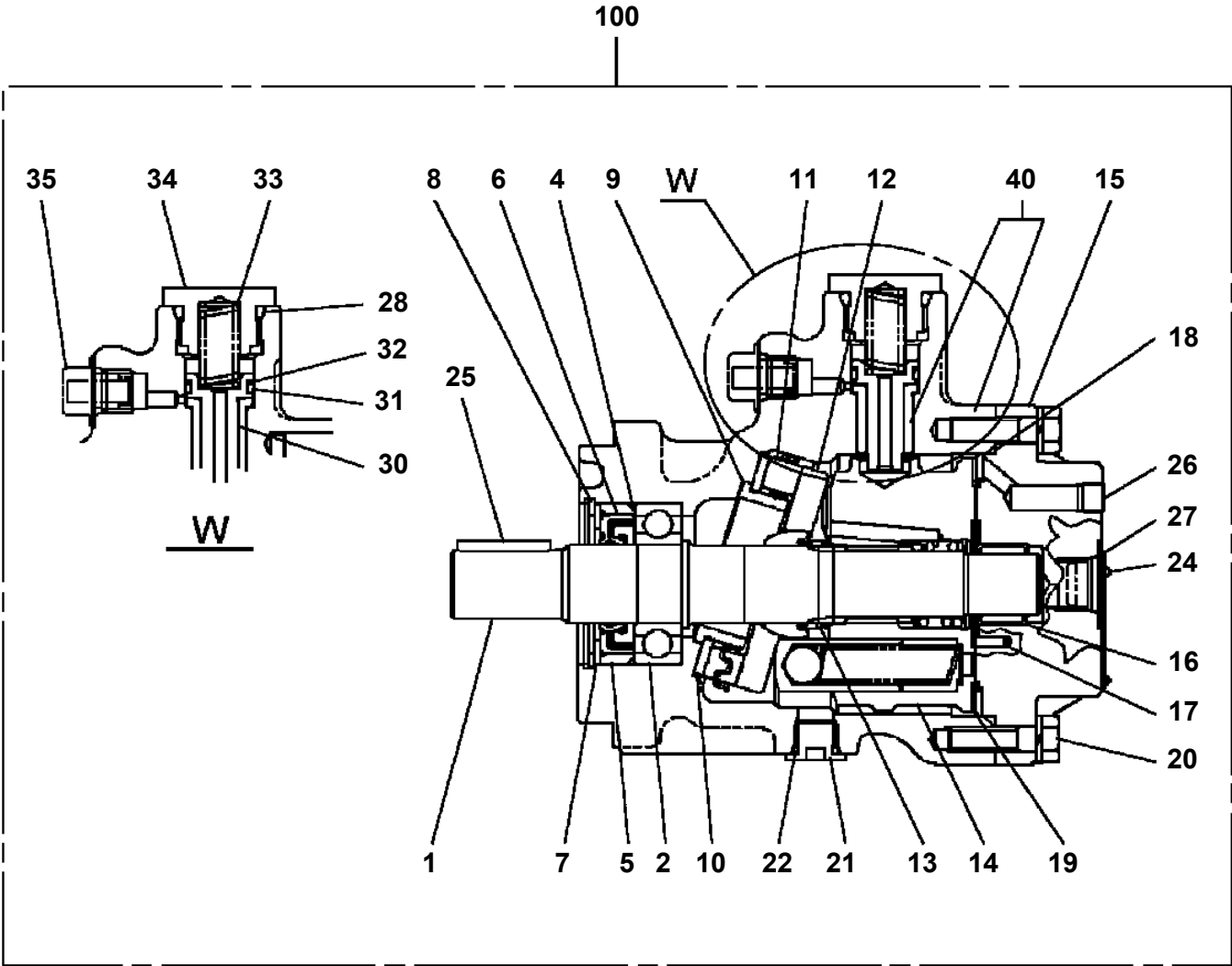
TM-ZR260 41108210760A FRAME/STD,MANUAL,HOOK-IN
PK2000752-00 FRAME UNIT



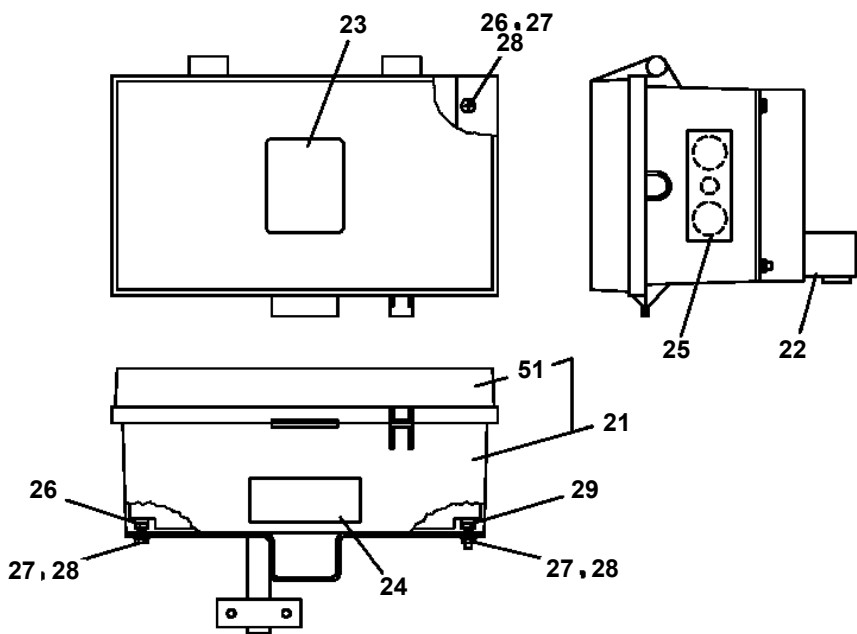
TM-ZR260 41108210760A FRAME/STD,MANUAL,HOOK-IN

Pos No.	Parts No	Parts Name	Qty	Unit	Technical Data	Serial No (Start)	Serial No (End)	Re
1	90171110016	BOLT	4		M10X16			
2	90302041001	WASHER,SPRING	6		10			
4	37000105610	PIN	19		L=18			
5	80620210050	PIN,SNAP	26					
6	37001300530	SPRING	2					
7	31322222100	ROD ASSY	1					
8	31322100100	SUPPORT	1					
9	31323752100	ROD ASSY	1					
10	31323752200	ROD ASSY	2					
11	31323402000	ROD ASSY	1					
12	37000164970	PIN	1					
13	31322224200	PLATE	10		L=1			
14	80136840020	PIN,SPLIT	2		4X20			
15	31323330750	LEVER	1					
16	31323330650	LEVER	1					
17	31323330550	LEVER	1					
18	31323330450	LEVER	1					
19	31323330350	LEVER	1					
20	31323330250	LEVER	1					
21	31323330150	LEVER	1					
22	31323330100	KNOB (BLACK)	9					
23	31323330200	KNOB (RED)	2					
24	31322050600	BOLT	1					
25	90303071201	WASHER,PLAIN	2		12			
26	90309331205	WASHER,CONICAL SPRING	2		L12			
27	90203201200	NUT	2		M12			
28	37000311190	SPACER	1		L=16			
29	12434402040	SPRING	1					
30	80172305008	SCREW,MACHINE	2		M5X8			
32	80136850025	PIN,SPLIT	1		5X25			
33	90101208040	BOLT	1		M8X40			
34	31320020010	KNOB (BLACK)	2					
35	90186210014	BOLT,FLANGE	1		M10X14			
37	90172110018	BOLT,HEXAGON SOCKET	2		M10X18			
38	90303071001	WASHER,PLAIN	2		10			
39	31323410400	ROD ASSY	1					
40	37001708080	CABLE,CONTROL	1					
41	31323130500	LEVER	1					
42	31323130600	LEVER	1					
43	37000171010	PIN	5					
44	91810130240	FASTENER	1					
46	90101212085	BOLT	2		M12X85			
47	90202401200	NUT	2		M12			
48	37000311510	SPACER	3		L=30			
50	37000551250	PLATE	3					
51	37000562510	PLATE	1		T=0.5			
52	31322380200	PIN	1					
53	31323752300	ROD ASSY	3					
54	31323673550	LEVER	1					
55	31323673500	LEVER	1					
56	31323673450	LEVER	1					
57	37000176930	PIN	1					
58	31322222000	ROD ASSY	2					
59	31396801201	PLATE,NAME	2					
60	31396801101	PLATE,NAME	1					
61	80136820010	PIN,SPLIT	2		2X10			
71	31323751100	SUPPORT	1					
72	31322031150	SUPPORT	1					
73	90186208010	BOLT,FLANGE	2		M8X10			
75	90201200800	NUT	1		M8			
76	90102208035	BOLT	1		M8X35			
77	31323673400	LEVER	1					
78	31323671200	FORK	2					

TM-ZR260 41108210760A FRAME/STD,MANUAL,HOOK-IN
PM5230002-00 MOTOR,OIL




TM-ZR260 41108210760A FRAME/STD,MANUAL,HOOK-IN
PN1012325-03 ELEC.ASSY (REMOTE CONTROL)

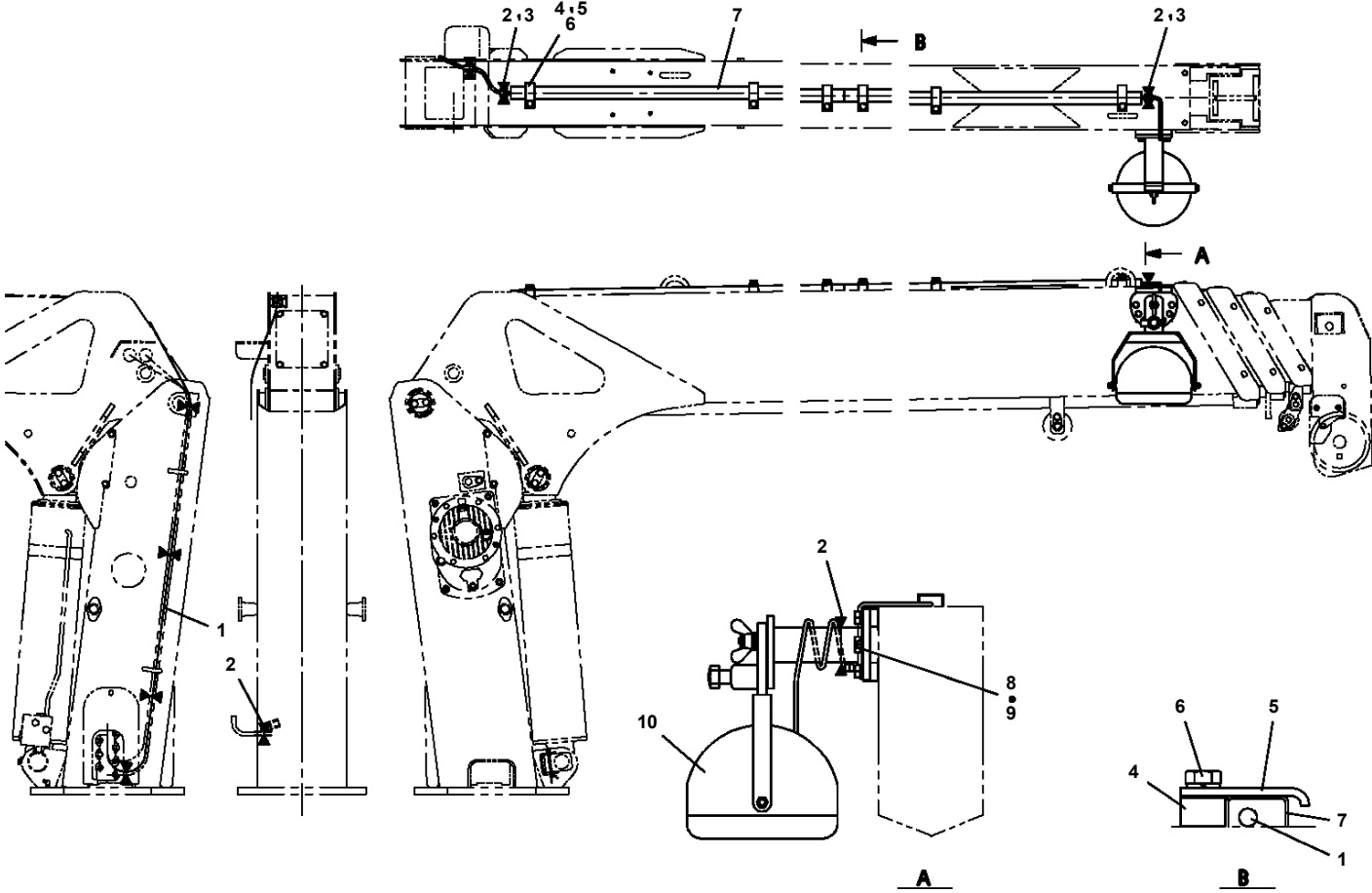


E

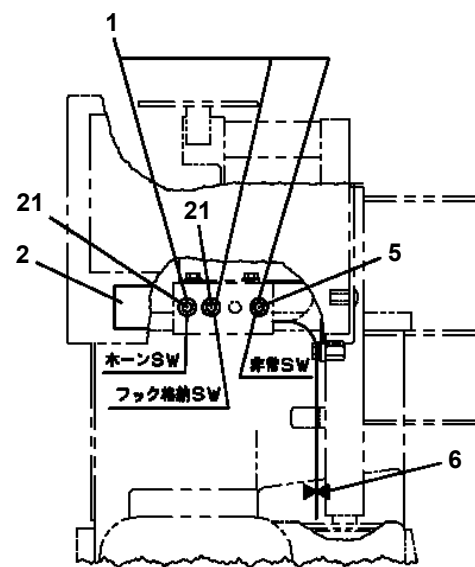
24

	高压洗浄禁止
※熱帯の中にはウエスなど油類を ふくむものは入れないでください。	

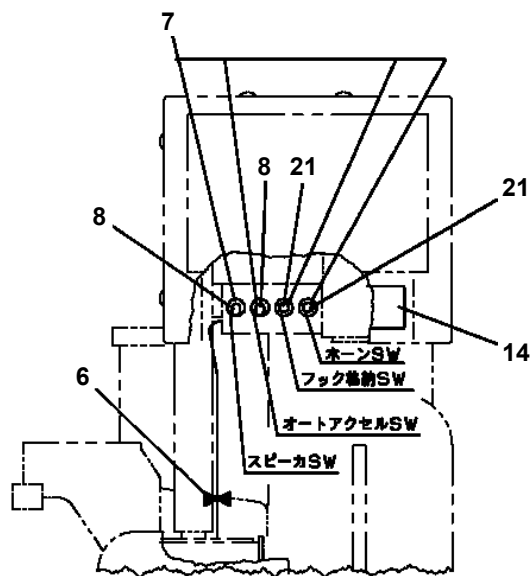
TM-ZR260 41108210760A FRAME/STD,MANUAL,HOOK-IN
PN1012347-01 ELEC.ASSY (AC100V300W LAMP/UPPER)



TM-ZR260 41108210760A FRAME/STD,MANUAL,HOOK-IN
PN1012495-02 ELEC.ASSY (RADIO CONTROL/HOOK-IN)



D



E

TM-ZR260 41108210760A FRAME/STD,MANUAL,HOOK-IN
PN1014201-01 ELEC.ASSY

指示番号 KEY NO.	ハイセンASSY (ソウコウロツクヨウ, O/Rカクノウラスレツイカパーツ) ELEC.ASSY
1	ハイセンASSY (アウトリカ*) ELEC.ASSY (OUTRIGGER)
2	ハイセンASSY (シャリヨウブ) ELEC.ASSY (CARRIER)
4	プレートASSY, ネーム PLATE ASSY, NAME

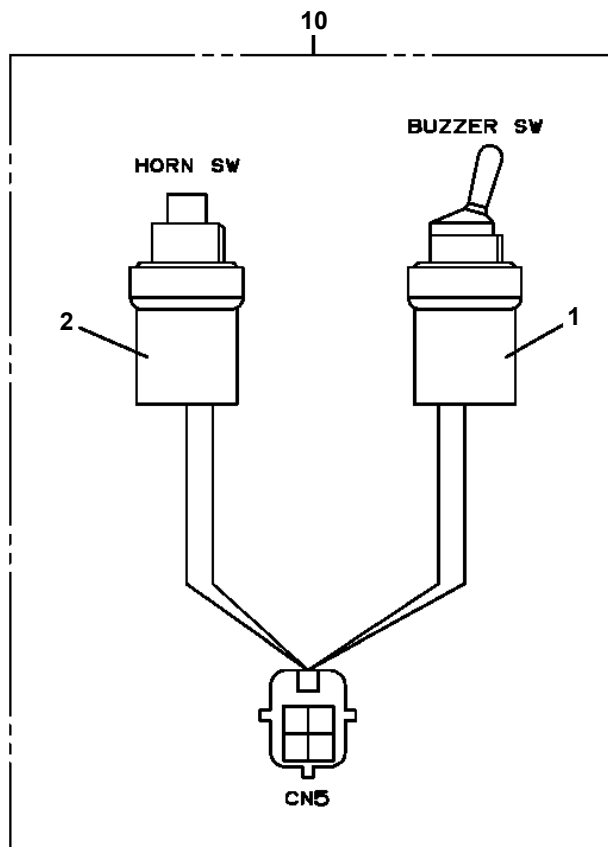
TM-ZR260 41108210760A FRAME/STD,MANUAL,HOOK-IN

Pos No.	Parts No	Parts Name	Qty	Unit	Technical Data	Serial No (Start)	Serial No (End)
1	31500823101	HARNESS	1				
3	31654031200	COVER	1				
4	31500500400	PLATE,NAME	1				
5	90186206010	BOLT,FLANGE	8		M6X10		
6	31500523600	COVER	1				
7	91810130240	FASTENER	32				
8	91850310405	CLAMP (BLACK)	4				
9	31500623400	SUPPORT	1				
10	31500623500	COVER	1				
11	90186208020	BOLT,FLANGE	3		M8X20		
13	82100002596	RELAY	1				
14	90280200600	NUT,FLANGE	3		M6		
15	31476361200	HARNESS (WHITE)	1		L=2000		
16	82100000192	TERMINAL	1				
17	82100000182	INSULATOR	1				
18	82108501090	SWITCH	2				
19	31360204310	SUPPORT	2				
20	90101206008	BOLT	4		M6X8		
21	90302040601	WASHER,SPRING	4		6		
22	91850310305	CLAMP	9				
23	82108501070	SWITCH	1				
24	31477332101	SUPPORT	1				
25	90186208014	BOLT,FLANGE	2		M8X14		
26	31652160100	HARNESS	1		L=1400		
29	31500691201	HARNESS	1				
31	31500623900	HARNESS	1				
32	82114102010	CONNECTOR (1P FEMALE,HOUSING)	1				
33	82121102160	HOLDER	1				
34	31500823200	HARNESS	1				
35	82161201010	RELAY	1				
49	82100000638	DIODE	1				
51	31500623300	SUPPORT	1				
52	82197600103	CAP (RED)	1				
53	42950544200	SWITCH ASSY (SILVER:PANASONIC)	1				
	31500623800	SWITCH ASSY (PLANTING:NACC)	1				
54	31651762400	COVER	1				
55	80192486010	SCREW,MACHINE	1		M6X10		

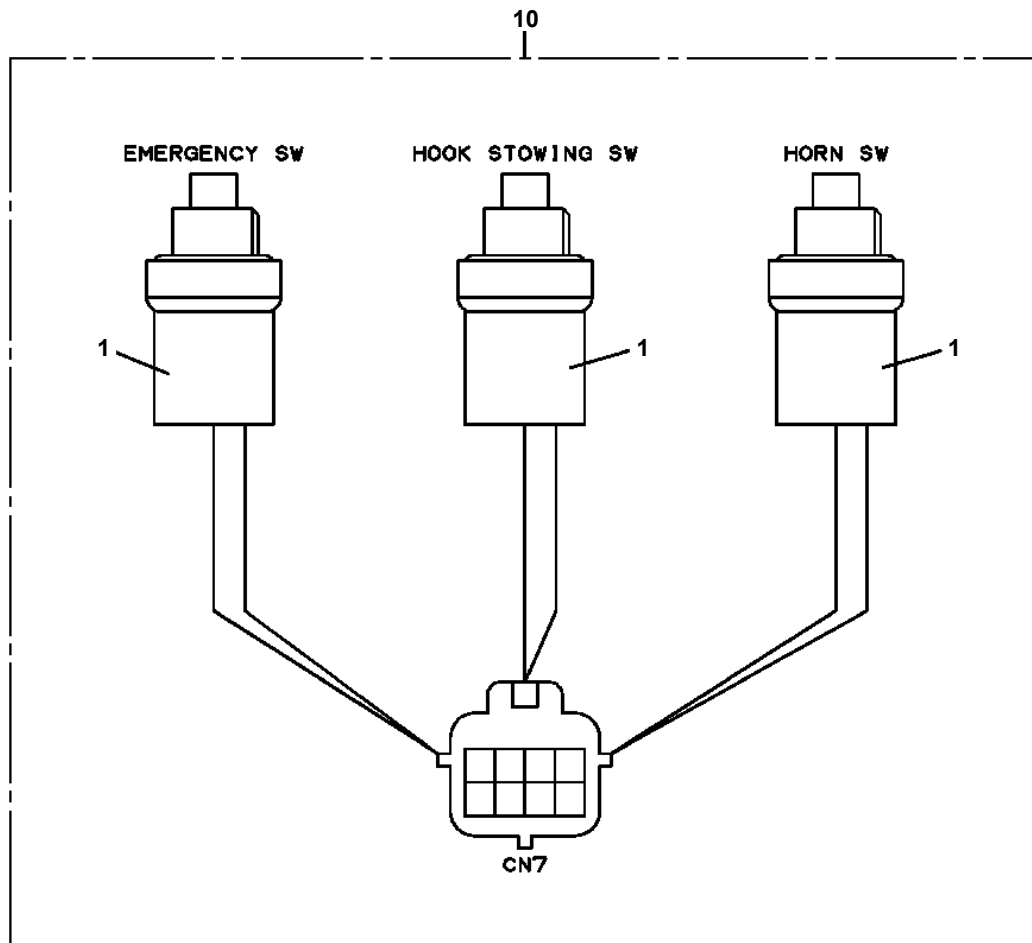
TM-ZR260 41108210760A FRAME/STD,MANUAL,HOOK-IN

Pos No.	Parts No	Parts Name	Qty	Unit	Technical Data	Serial No (Start)	Serial No (End)	Remark
1	31476362102	ALARM ASSY (ASSY ONLY)	1					
2	31501313100	PLATE,NAME	1					
3	31477472100	HARNESS (RED)	1		L=1000			
4	31380174000	LAMP ASSY (ASSY ONLY)	1					
5	82100000191	TERMINAL	2					
6	82100000183	INSULATOR	2					
7	91810130240	FASTENER	10					
8	82115001002	CONNECTOR	6					
9	82100001400	TERMINAL	4					
10	31476362700	PLATE,CAUTION	1					
11	31380292600	SUPPORT	1					
12	80172305020	SCREW,MACHINE	2		M5X20			
13	90302040501	WASHER,SPRING	2		5			
14	90303070501	WASHER,PLAIN	2		5			
15	31476362400	HARNESS (RED)	2		L=6000			
16	82100001220	INSULATOR	4					
17	31476362300	RELAY ASSY	1					
18	31475982400	DIODE ASSY	1					
21	90928040101	SCREW,TAPPING	3		M4X10			
22	82115001005	CONNECTOR	6					
31	31476362103	ALARM ASSY (ASSY ONLY)	1					

**TM-ZR260 41108210760A FRAME/STD,MANUAL,HOOK-IN
PN1140220-00 SWITCH ASSY (PLATING:NACC)**



**TM-ZR260 41108210760A FRAME/STD,MANUAL,HOOK-IN
PN1140226-00 SWITCH ASSY (PLATING:NACC)**



TM-ZR260 41108210760A FRAME/STD,MANUAL,HOOK-IN

Pos No.	Parts No	Parts Name	Qty	Unit	Technical Data	Serial No (Start)	Serial No (End)	Remarks	Pag
1	36802951101	CHARGER,BATTERY	1				EY1729		
	36802951102	CHARGER,BATTERY	1			EY1730			
2	36802951201	BATTERY (NI-CD)	4				EY1729		
	36802951202	BATTERY (NI-CD)	4			EY1730			
50	36802951000	CHARGER,BATTERY	1						

TM-ZR260 41108210760A FRAME/STD,MANUAL,HOOK-IN

Pos No.	Parts No	Parts Name	Qty	Unit	Technical Data	Serial No (Start)	Serial No (End)	Remarks	Pa
1	37002220950	PLATE,NAME	1						
2	37002220940	PLATE,NAME	1						
3	31394490500	PLATE,CAUTION	4						
4	31394500100	PLATE,CAUTION	1						
5	31395220250	PLATE,CAUTION	2						
6	31393180100	REFLECTOR (RED)	2						
7	31611300500	PLATE,NAME (WHITE)	4						
8	37002220430	PLATE,CAUTION	2						
9	31394500200	PLATE,CAUTION	1						
10	37002220960	PLATE,NAME	1						
11	37002220970	PLATE,NAME	1						

TM-ZR260 41108210760A FRAME/STD,MANUAL,HOOK-IN

Pos No.	Parts No	Parts Name	Qty	Unit	Technical Data	Serial No (Start)	Serial No (End)	Remarks	Pages
1	31477165100	PLATE,CAUTION	1						

TM-ZR260 41108210760A FRAME/STD,MANUAL,HOOK-IN

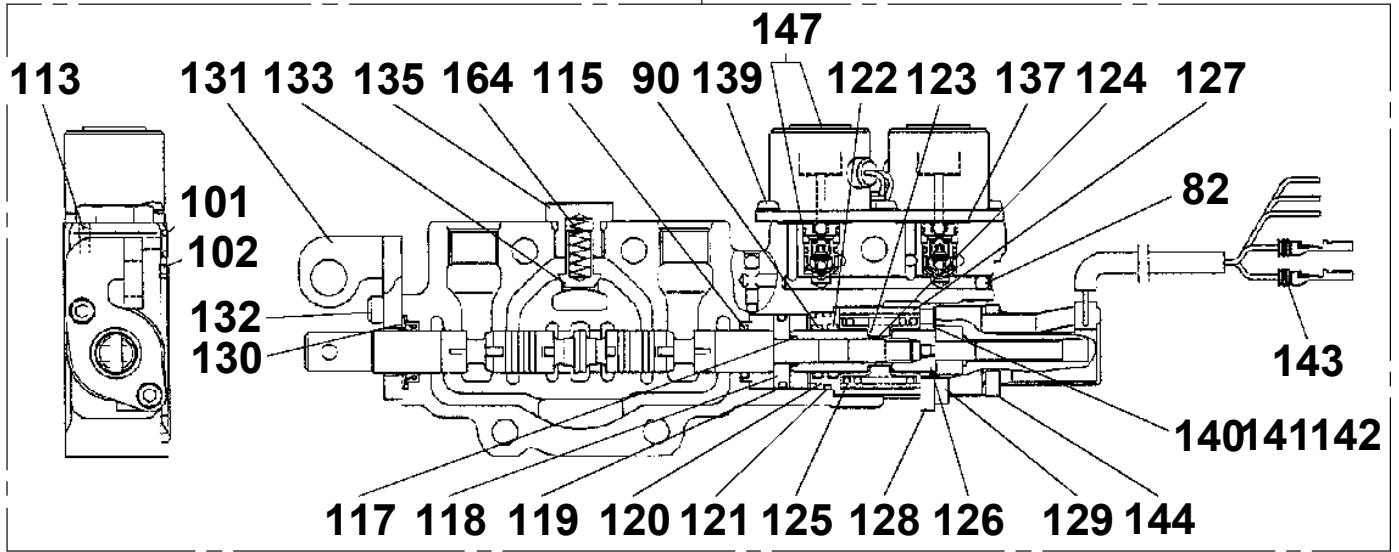
Pos No.	Parts No	Parts Name	Qty	Unit	Technical Data	Serial No (Start)	Serial No (End)	Re
1	37002220460	PLATE,NAME	2					
2	37002220470	PLATE,NAME	2					
3	37002220480	PLATE,NAME	2					
4	37002220490	PLATE,NAME	2					
5	37002220500	PLATE,NAME	1					
6	37002220510	PLATE,NAME	1					
7	37002220520	PLATE,NAME	1					
8	37002200320	PLATE,NAME	1					
9	37002220620	PLATE,NAME	1					
10	37002220820	PLATE,NAME	1					
11	37002220560	PLATE,NAME	1					
12	37002220570	PLATE,NAME	1					
13	37002220580	PLATE,NAME	1					
15	90451700100	SCREW,TAPPING	4		M4X6.4			
16	31395220230	PLATE,CAUTION	2					
17	37002220420	PLATE,CAUTION	1					
18	37002220410	PLATE,CAUTION	1					
19	37002220440	PLATE,CAUTION	1					
20	31394270230	PLATE,CAUTION	2					
21	31395220250	PLATE,CAUTION	2					
22	37002220430	PLATE,CAUTION	2					
23	37002206490	PLATE,NAME (GREASE)	5					
24	37002220450	PLATE,NAME	1					
25	37002224400	PLATE,NAME	1					
26	37002224440	PLATE,NAME	1					
41	37002213190	PLATE,NAME (LEVEL,ISO VG46)	1					
	37002213740	PLATE,NAME (LEVEL,ISO VG32)	1					

TM-ZR260 41108210760A FRAME/STD,MANUAL,HOOK-IN

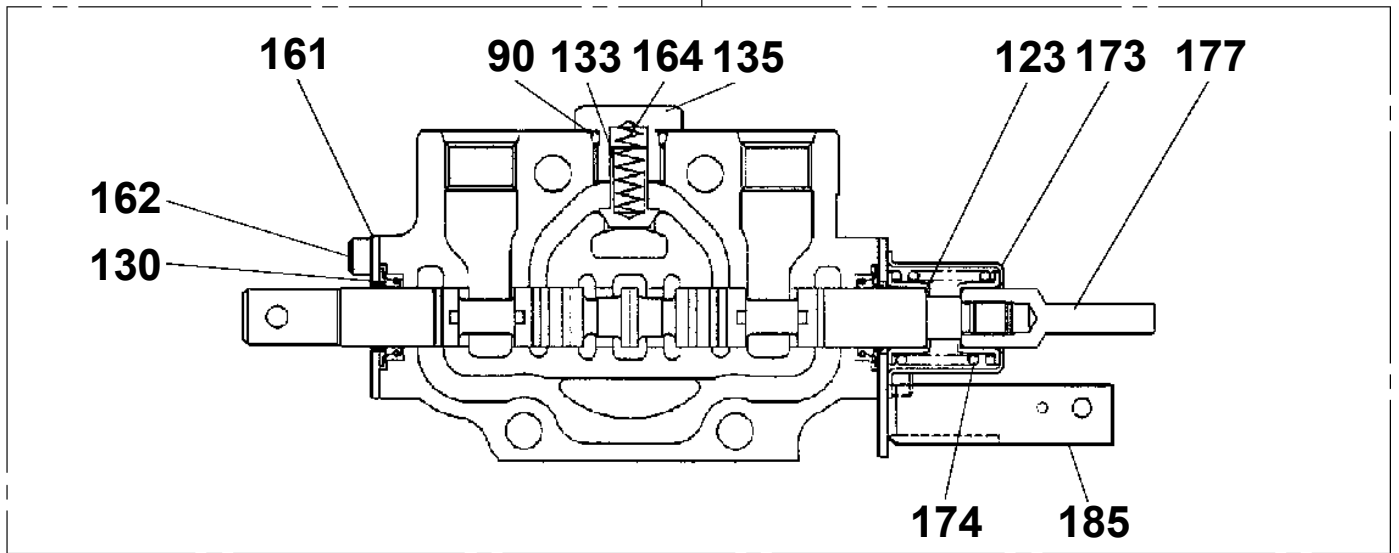
Pos No.	Parts No	Parts Name	Qty	Unit	Technical Data	Serial No (Start)	Serial No (End)	Remark
1	31361841100	PLATE,CAUTION (FOR AWL)	1					
2	31361841200	PLATE,CAUTION (FOR BML)	1					

TM-ZR260 41108210760A FRAME/STD,MANUAL,HOOK-IN
PV1020234-00 VALVE,REMOTE CONTROL (MAIN/SANWA)

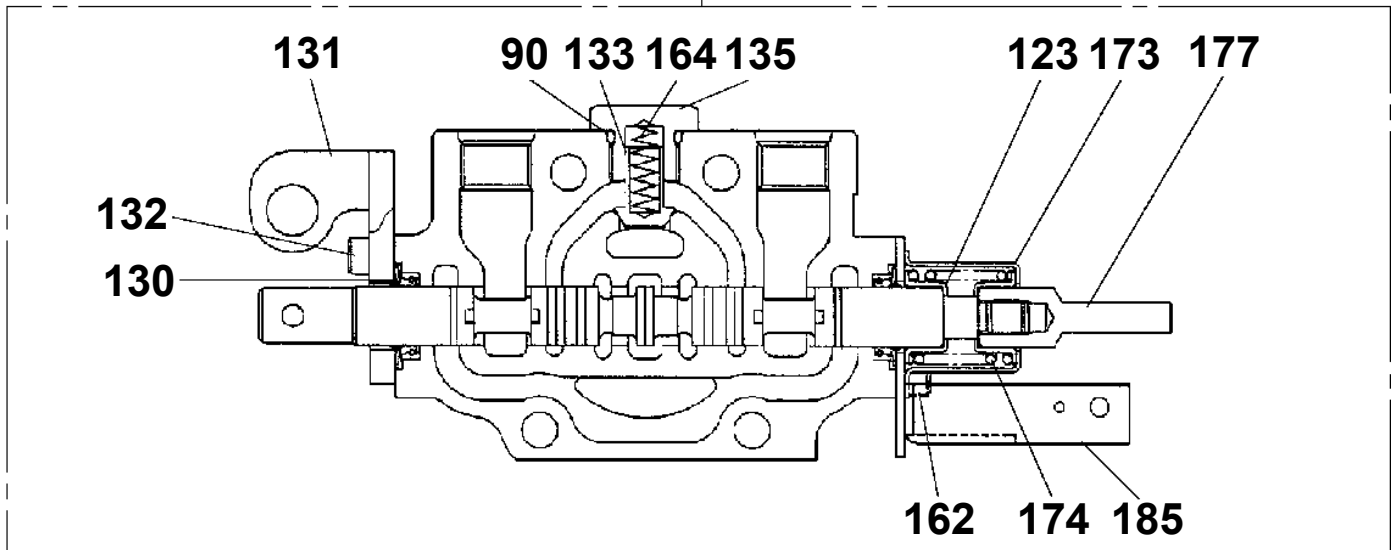
9



10



11



TM-ZR260 41108210760A FRAME/STD,MANUAL,HOOK-IN

Pos No.	Parts No	Parts Name	Qty	Unit	Technical Data	Serial No (Start)	Serial No (End)	Re
7	36802865030	PLATE,NAME	1					
8	36802865050	PLATE,NAME	1					
21	36802865040	CASE (BATTERY)	1					
22	36802865060	BATTERY (4 PIECES)	1					
31	36802865070	STRAP	1					
41	36802865080	RUBBER (FOR SWITCH)	1					
50	36802863000	SWITCH BOX(RADIO CONTROL)	1					

TM-ZR260 41108210760A FRAME/STD,MANUAL,HOOK-IN

Pos No.	Parts No	Parts Name	Qty	Unit	Technical Data	Serial No (Start)	Serial No
1	36803575010	BOARD ASSY	1				
2	36802975170	CASING	1				
3	36802975030	COVER	2				
4	36802975040	PANEL	1				
5	36802975050	SCREEN	1				
6	36802975060	GASKET	1				
7	36802975070	GASKET	1				
8	36802975080	GASKET	1				
9	36802975090	PLATE (RADIATOR)	1				
10	36802975100	CONNECTOR ASSY (WITH HARNESS)	1				
11	36802975110	CONNECTOR ASSY (WITH HARNESS)	1				
12	36800175030	CAP	1				
13	36802975120	DRIER,AIR	1				
18	36802975180	CONNECTOR ASSY	2				
19	36802975190	PLUG	2				
20	36802985010	RECEIVER (DATA)	1				
21	36802975160	BRACKET	1				
31	36802975200	FUSE	1				
50	36803572000	CONTROL BOX (RADIO CONTROL D-TYPE)	1				

TM-ZR260 41108210760A FRAME/STD,MANUAL,HOOK-IN

Pos No.	Parts No	Parts Name	Qty	Unit	Technical Data	Serial No (Start)	Serial No
3	36802950100	PLATE ASSY.NAME (FOR RADIO CONTROL)	1				
5	(*****)	ELEC.ASSY (BML)	1				
11	36803572000	CONTROL BOX (RADIO CONTROL D-TYPE)	1				
	36803572001	CONTROL UNIT	1				
12	36801992001	SWITCH BOX (FUTABA)	1				
	36801992000	SWITCH BOX (RADIO CONTROL,TYPE-D)	1				

TM-ZR260 41108210760A FRAME/STD,MANUAL,HOOK-IN

Pos No.	Parts No	Parts Name	Qty	Unit	Technical Data	Serial No (Start)	Serial
1	(*****)	RADIO CONTROL	1				
2	(*****)	OPE.ASSY,CONT.VALVE (RADIO CONTROL)	1				
3	(*****)	ELEC.ASSY (RADIO CONTROL/HOOK-IN)	1				
4	(*****)	PIPING,LOWER (REMOTE CONT.VALVE/SANWA)	1				
5	(*****)	PIPING,LOWER (RADICON./REPLACE FILTER)	1				

TM-ZR260 41108210760A FRAME/STD,MANUAL,HOOK-IN

Pos No.	Parts No	Parts Name	Qty	Unit	Technical Data	Serial No (Start)	Serial No
1	36800280000	CABLE,REMOTE CONTROL (T,OPTION 20M)	1				

TM-ZR260 41108210760A FRAME/STD,MANUAL,HOOK-IN

Pos No.	Parts No	Parts Name	Qty	Unit	Technical Data	Serial No (Start)	Serial No (End)
1	36802765010	ELEMENT,ANTENNA (FLEXIBLE)	1				
11	36802765020	CABLE ASSY (WITH MAGNET COVER)	1				
30	36802760000	ANTENNA (15M.TRAVELLING TYPE C,D,E)	1				

TM-ZR260 41108210760A FRAME/STD,MANUAL,HOOK-IN

Pos No.	Parts No	Parts Name	Qty	Unit	Technical Data	Serial No (Start)	Serial No
1	36801465010	ELEMENT,ANTENNA (FLEXIBLE,TYPE D,E)	2				
3	36800615010	ARM (28X300)	1				
100	36802750000	ANTENNA (FOR RADIO CONTROL)	1				

TM-ZR260 41108210760A FRAME/STD,MANUAL,HOOK-IN

Pos No.	Parts No	Parts Name	Qty	Unit	Technical Data	Serial No (Start)	Serial No (End)	Remarks	Pages
1	90186208014	BOLT,FLANGE	2		M8X14				
2	31653230100	SUPPORT	1						
3	90280200600	NUT,FLANGE	4		M6				
4	90101206060	BOLT	4		M6X60				
5	90303070601	WASHER,PLAIN	4		6				
6	31653230200	CABLE ASSY	1		L=800				
7	91850310405	CLAMP (BLACK)	1						
8	91810130240	FASTENER	3						
21	82100002385	CONNECTOR	2						

TM-ZR260 41108210760A FRAME/STD,MANUAL,HOOK-IN

Pos No.	Parts No	Parts Name	Qty	Unit	Technical Data	Serial No (Start)	Serial No (End)	F
1	31651781000	SUPPORT	2					
2	31652962000	ANTENNA (SET)	1					
3	91810130240	FASTENER	10					
4	82100002034	CLAMP	10		WEC6			
5	90191208020	BOLT	5		M8X20			
6	90264200800	NUT	5		M8			
7	90302040801	WASHER,SPRING	5		8			
8	82401600506	CLAMP	8		D6.5			
9	82401600510	CLAMP	7		10			
10	31652960100	SPACER	4					
21	36801460000	ANTENNA (FOR RADIO CONTROL)	1					
22	36802100000	ANTENNA	1					

TM-ZR260 41108210760A FRAME/STD,MANUAL,HOOK-IN

Pos No.	Parts No	Parts Name	Qty	Unit	Technical Data	Serial No (Start)	Serial No (End)	F
1	31651781000	SUPPORT	2					
2	31651782000	ANTENNA (SET)	1					
3	91810130240	FASTENER	10					
4	82100002034	CLAMP	10		WEC6			
5	90191208020	BOLT	5		M8X20			
6	90264200800	NUT	5		M8			
7	90302040801	WASHER,SPRING	6		8			
8	82401600506	CLAMP	5		D6.5			
9	82401600510	CLAMP	5		10			
10	31930390100	SUPPORT	1					
11	31930390200	PLATE	1					
12	31930390300	SUPPORT	1					
13	90209200800	NUT	2		M8			
14	90101208020	BOLT	1		M8X20			
15	90201200800	NUT	1		M8			
16	90303070801	WASHER,PLAIN	1		8			
21	36800610000	ANTENNA (FOR RADIO CONTROL)	1					
22	36800620000	ANTENNA (FOR RADIO CONTROL)	1					

TM-ZR260 41108210760A FRAME/STD,MANUAL,HOOK-IN

Pos No.	Parts No	Parts Name	Qty	Unit	Technical Data	Serial No (Start)	Serial No (End)	F
1	31930530101	SUPPORT	1					
2	31930530201	SUPPORT	1					
3	31651782000	ANTENNA (SET)	1					
4	91810130240	FASTENER	10					
5	82100002034	CLAMP	10		WEC6			
6	90191208020	BOLT	7		M8X20			
7	90264200800	NUT	7		M8			
8	90302040801	WASHER,SPRING	11		8			
9	82401600506	CLAMP	5		D6.5			
10	82401600510	CLAMP	5		10			
11	90303070801	WASHER,PLAIN	4		8			
12	31930530300	PACKING	4					
21	36800610000	ANTENNA (FOR RADIO CONTROL)	1					
22	36800620000	ANTENNA (FOR RADIO CONTROL)	1					

TM-ZR260 41108210760A FRAME/STD,MANUAL,HOOK-IN

Pos No.	Parts No	Parts Name	Qty	Unit	Technical Data	Serial No (Start)	Serial No (End)	F
1	31930530101	SUPPORT	1					
2	31930530201	SUPPORT	1					
3	31652962000	ANTENNA (SET)	1					
4	91810130240	FASTENER	10					
5	82100002034	CLAMP	10		WEC6			
6	90191208020	BOLT	5		M8X20			
7	90264200800	NUT	5		M8			
8	90302040801	WASHER,SPRING	5		8			
9	82401600506	CLAMP	8		D6.5			
10	82401600510	CLAMP	7		10			
11	90103210025	BOLT	4		M10X25			
12	90302511001	WASHER,SPRING	4		10			
13	31930740300	PACKING	12					
14	31930530300	PACKING	4					
21	36801460000	ANTENNA (FOR RADIO CONTROL)	1					
22	36802100000	ANTENNA	1					

TM-ZR260 41108210760A FRAME/STD,MANUAL,HOOK-IN

Pos No.	Parts No	Parts Name	Qty	Unit	Technical Data	Serial No (Start)	Serial No (End)	Remarks	Pages
1	31930180100	SUPPORT	1						
2	80142838032	SCREW,WOOD	2						
3	91810130240	FASTENER	4						
4	82401600510	CLAMP	1		10				
5	31652972000	ANTENNA (SET)	1						
6	90101208020	BOLT	4		M8X20				
7	90201200800	NUT	4		M8				
8	90302040801	WASHER,SPRING	4		8				
9	31930460100	SUPPORT	2						
10	82401600506	CLAMP	13		D6.5				
21	36802100000	ANTENNA	2						000270

TM-ZR260 41108210760A FRAME/STD,MANUAL,HOOK-IN

Pos No.	Parts No	Parts Name	Qty	Unit	Technical Data	Serial No (Start)	S
1	(***** 36095150000	HOOK (1-PART LINE) HOOK (LOCKING)	1 1				
2	(*****	GUIDE,ROPE (RETAINING WIRE ROPE)	1				
3	(*****	DETECTOR,DISORDERLY WINDING	1				
4	(*****	PLATE (500X500,H=90)	1				
	(*****	PLATE (355X355,H=80)	1				
5	(*****	WINCH (DRUM FREE)	1				
6	(*****	OUTRIGGER,REAR (ROTARY,POWER SUPPLY)	1				
	(*****	OUTRIGGER,REAR (ROTARY)	1				
7	(*****	POWER SUPPLY (SERVICE PORT)	1				
8	(*****	VALVE,MANUAL CONTROL(DUMP/NIHON SPINDLE)	1				
9	31503580000	LINK ASSY	1			EY8920	

TM-ZR260 41108210760A FRAME/STD,MANUAL,HOOK-IN

Pos No.	Parts No	Parts Name	Qty	Unit	Technical Data	Serial No (Start)	Serial No (End)
1	(*****)	ALARM SYSTEM ((OUTRIGGER HARNESS)	1				
2	(*****)	ALARM SYSTEM (BOOM HARNESS)	1				
3	(*****)	ELEC.ASSY (CARRIER)	1				
5	(*****)	PLATE ASSY,NAME	1				

CLICK HERE TO **DOWNLOAD** THE COMPLETE MANUAL

- Thank you very much for reading the preview of the manual.
- You can download the complete manual from: www.heydownloads.com by clicking the link below



- Please note: If there is no response to CLICKING the link, please download this PDF first and then click on it.

CLICK HERE TO **DOWNLOAD** THE COMPLETE MANUAL