

**TM-ZR260 41108210670A FRAME/SL,REMOTE-RADIO CONT.,S-HOOK-IN**  
PB000022-02 SYSTEM (ZR260,DOMESTIC)  
ASSEMBLY

CLICK HERE TO **DOWNLOAD** THE COMPLETE MANUAL

- Thank you very much for reading the preview of the manual.
- You can download the complete manual from: [www.heydownloads.com](http://www.heydownloads.com) by clicking the link below



- Please note: If there is no response to CLICKING the link, please download this PDF first and then click on it.

CLICK HERE TO **DOWNLOAD** THE COMPLETE MANUAL

# TM-ZR260 41108210670A FRAME/SL,REMOTE-RADIO CONT.,S-HOOK-IN

Pos No.	Parts No	Parts Name	Qty	Unit	Technical Data	Serial No (Start)	Serial No (End)	R
5	31790870000	POWER TAKE OFF	1					
	36401600001	POWER TAKE OFF	1					
	36401650000	POWER TAKE OFF	1					
	52230312000	POWER TAKE OFF (WITH TURBO)	1					
	31790860000	POWER TAKE OFF	1					
6	36401600000	POWER TAKE OFF	1					
	36401650000	POWER TAKE OFF	1					
	31790860000	POWER TAKE OFF	1					
	52230314000	POWER TAKE OFF	1					
	52230312000	POWER TAKE OFF (WITH TURBO)	1					
7	31790760000	POWER TAKE OFF	1					
	31790720000	POWER TAKE OFF	1					

# TM-ZR260 41108210670A FRAME/SL,REMOTE-RADIO CONT.,S-HOOK-IN

Pos No.	Parts No	Parts Name	Qty	Unit	Technical Data	Serial No (Start)	Serial No (End)	Remarks	Pages
1	36400565010	CASE	1						
2	36400565020	GEAR	1						
3	36400235040	SHAFT	1						
4	36400565030	GEAR	1						
5	36400095040	SHAFT	1						
6	36400095050	COLLAR	1						
7	36400095100	SHIFTER ASSY	1						
8	36400095110	PACKING	2						
9	36400235050	COVER (FRONT)	1						
10	36400235060	COVER (REAR)	1						
11	36400235070	PACKING	2						
12	36400095090	SHIM	N						
13	80500006305	BEARING,BALL	2						
14	36400095120	BEARING	2						
15	91206025005	SEAL,OIL	1						
16	36400095130	WASHER	1						
17	90101206012	BOLT	1		M6X12				
18	80602110520	RING,RITAINING	2		R52				
19	90191210016	BOLT	8		M10X16				
20	90302041001	WASHER,SPRING	14		10				
21	90191208030	BOLT	4		M8X30				
22	90302040801	WASHER,SPRING	4		8				
23	36400135120	COUPLING	1						
24	36400135100	KEY	1						
25	36400135150	NUT	1		M4X1.5				
26	36400135160	WASHER,PLAIN	1						
27	36400135090	WASHER	1						
30	36400075140	COVER (1)	1						
31	90193210025	BOLT	3		M10X25				
32	36400195030	BOLT,STUD	3						
33	90267201000	NUT	3		M10				
35	31790670100	SUPPORT	1						
36	90191208025	BOLT	2		M8X25				
50	36400560000	POWER TAKE OFF	1						
100	31790730000	POWER TAKE OFF	1						

# TM-ZR260 41108210670A FRAME/SL,REMOTE-RADIO CONT.,S-HOOK-IN

Pos No.	Parts No	Parts Name	Qty	Unit	Technical Data	Serial No (Start)	Serial No (End)	Remarks	Page
1	36401165010	CASE	1						
2	36401135060	GEAR (TO)	1						
3	36401165020	SHAFT	1						
4	36401125040	SLEEVE	1						
5	36401125050	SHIFTER SET	1						
6	36400095110	PACKING	1						
7	36400095070	COVER (BEARING)	1						
8	36400095080	PACKING (COVER)	1						
9	36400095090	SHIM	1						
10	36401135070	COLLAR	1						
11	80500006903	BEARING,BALL	1						
12	36401125080	BEARING,ROLLER	2						
13	36401125090	BEARING,NEEDLE	1						
14	91206030005	SEAL,OIL	1						
15	36401165030	NUT	1						
16	36401165040	WASHER	1						
17	90191208020	BOLT	4		M8X20				
18	90191208014	BOLT	3		M8X14				
19	90302040801	WASHER,SPRING	7		8				
20	36400135120	COUPLING	1						
21	36400135100	KEY	1						
22	36401165050	NUT	1		M14X1.5				
23	36400135080	WASHER,PLAIN	1						
24	36400135090	WASHER	1						
26	36401125120	PACKING (CASE)	1						
27	90191210100	BOLT	1		M10X100				
28	90191210090	BOLT	1		M10X90				
29	90191210030	BOLT	2		M10X30				
30	36400095150	BOLT,STUD	1		M10X1.25/1.5X43				
31	36401125140	BOLT	1						
32	90267201000	NUT	2		M10				
33	90302041001	WASHER,SPRING	6		10				
34	31790880100	SUPPORT	1						
35	90191208025	BOLT	2		M8X25				
50	36401160000	POWER TAKE OFF	1						
100	31790900000	POWER TAKE OFF	1						

# TM-ZR260 41108210670A FRAME/SL,REMOTE-RADIO CONT.,S-HOOK-IN

Pos No.	Parts No	Parts Name	Qty	Unit	Technical Data	Serial No (Start)	Serial No (End)
1	36401655010	CASE,GEAR	1				
3	52230312180	BOLT (WITH WASHER)	8		M8X1.25		
4	52230312160	WASHER,SPRING	1				
5	52230308050	COVER (CASE)	1				
6	80500006305	BEARING,BALL	2				
7	52230312021	SHAFT (OUTPUT)	1				
8	36401595020	COLLAR (THRUST)	1				
9	52230312140	ROD (SHAFT)	1				
10	52230312030	SEAL,OIL	1				
11	52230308100	SHAFT (IDLE)	1				
13	52230312190	COVER (UPPER)	1				
14	52230312200	PACKING (COVER)	1				
15	52230308130	PIN,SPRING	1		4X24		
16	36401595030	ARM (SHAFT)	1				
17	52230312220	SLEEVE	1				
18	52230308170	PLUG (SHAFT)	1				
19	52230312051	SEAL,OIL	1				
20	52230312120	BOLT,STUD	2				
21	90302041001	WASHER,SPRING	2		10		
22	90267201000	NUT	2		M10		
23	52230312290	GEAR ASSY	1				
27	52230312250	GEAR	1				
28	52230312230	BOLT (WITH WASHER)	4		M8X1.25		
29	52230312090	BEARING,NEEDLE	2				
30	52230312280	BOLT	4		M8X1.25		
31	52230312270	BOLT,HEXAGON SOCKET	1		M8X1.25		
32	52230308160	SPRING (LOCK)	1				
33	52230312150	PIN (LOCK)	1				
34	52230307020	COUPLING	1				
35	52230312260	PIN,SPRING	1				
36	52230312060	ADAPTER	1				
50	36401659510	POWER TAKE OFF (WITHOUT COUPLING)	1				
100	36401650000	POWER TAKE OFF	1				

# TM-ZR260 41108210670A FRAME/SL,REMOTE-RADIO CONT.,S-HOOK-IN

Pos No.	Parts No	Parts Name	Qty	Unit	Technical Data	Serial No (Start)	Serial No (End)	Remarks	Pages
1	36401725010	CASE	1						
2	36401725020	GEAR	1						
3	36401725030	SHAFT	1						
4	36400095040	SHAFT	1						
5	36400095050	COLLAR	1						
6	36401725040	GEAR	1						
7	36400095100	SHIFTER ASSY	1						
8	36400095120	BEARING	2						
9	80500006206	BEARING,BALL	2						
10	91206030005	SEAL,OIL	1						
11	36400095070	COVER (BEARING)	1						
12	36400095080	PACKING (COVER)	1						
13	36400095090	SHIM	N						
14	90101206012	BOLT	1		M6X12				
15	36400095130	WASHER	1						
16	90191208014	BOLT	3		M8X14				
17	90302040801	WASHER,SPRING	7		8				
18	36400095110	PACKING	1						
19	90191208020	BOLT	4		M8X20				
20	80602110520	RING,RITAINING	2		R52				
22	36400055070	PACKING	1						
23	36400195030	BOLT,STUD	4						
24	90267201000	NUT	4		M10				
25	90193210025	BOLT	2		M10X25				
26	90302041001	WASHER,SPRING	8		10				
27	36401725070	SUPPORT (PUMP)	1						
28	36401725080	BOLT	2		M10X35				
30	31791100100	SUPPORT	1						
31	90191208025	BOLT	2		M8X25				
50	36401730000	POWER TAKE OFF	1						
100	31791110000	POWER TAKE OFF	1						

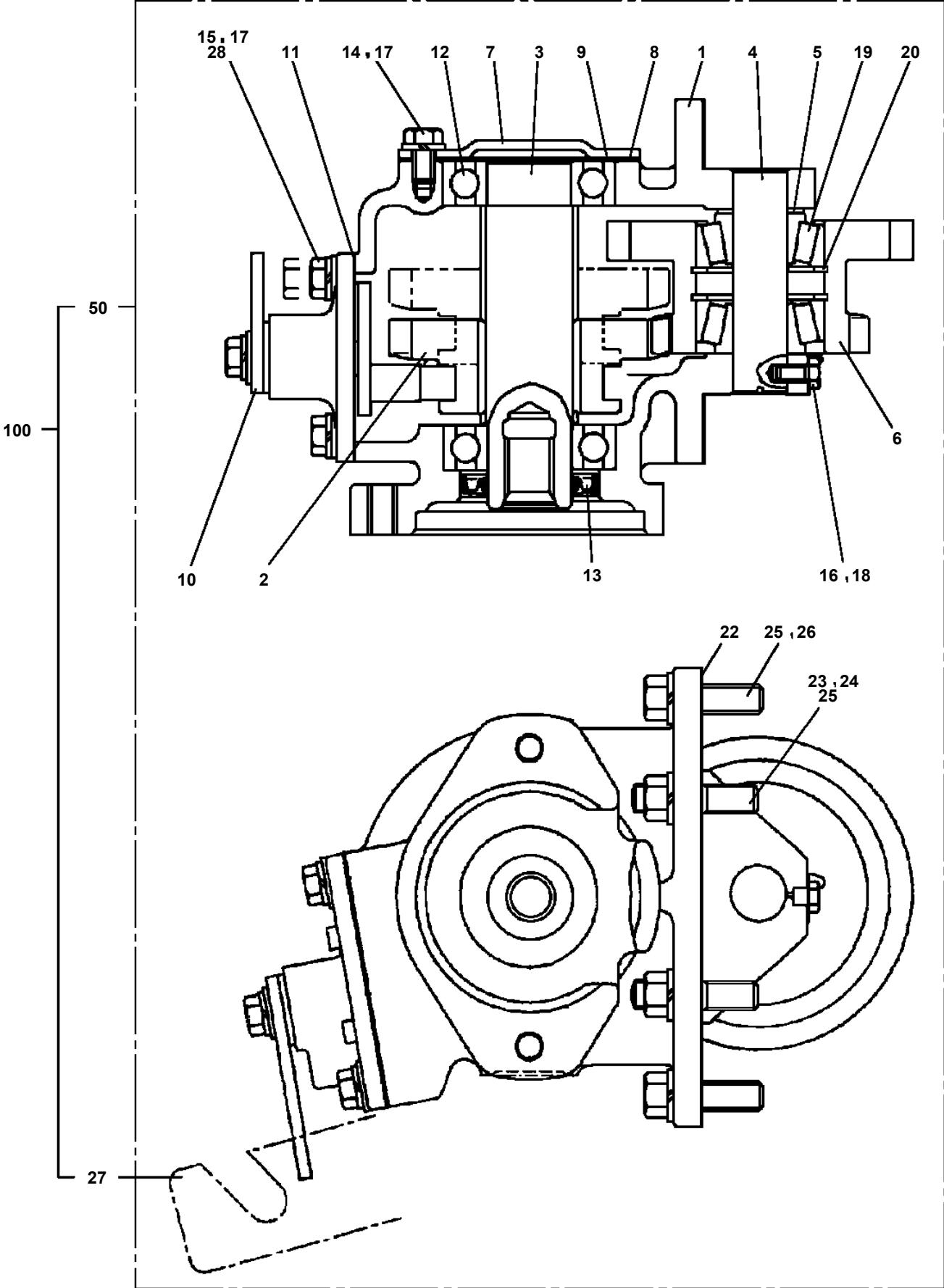
# TM-ZR260 41108210670A FRAME/SL,REMOTE-RADIO CONT.,S-HOOK-IN

Pos No.	Parts No	Parts Name	Qty	Unit	Technical Data	Serial No (Start)	Serial No (End)	Remarks
1	36401885010	CASE	1					
2	36401885020	GEAR	1					
3	36402515010	SHAFT	1					
4	36401885030	GEAR	1					
5	36400415050	SHAFT	1					
6	36400675030	COLLAR	1					
7	36401725050	SHIFTER ASSY	1					
8	36400095110	PACKING	1					
9	36400095070	COVER (BEARING)	1					
10	36400095080	PACKING (COVER)	1					
11	36400095090	SHIM	N					
12	80500006206	BEARING,BALL	2					
13	91206030005	SEAL,OIL	1					
14	91001102100	O-RING	1		1A P21			
15	90710006200	SCREW,SET	1		M6X20			
16	90191208020	BOLT	4		M8X20			
17	90191208014	BOLT	3		M8X14			
18	90302040801	WASHER,SPRING	7		8			
19	36400135070	BEARING	2					
20	80602110620	RING,RITAINING	2		R62			
22	36401885040	PACKING	1					
23	36400095150	BOLT,STUD	2		M10X1.25/1.5X43			
24	90191210030	BOLT	6		M10X30			
25	90267201000	NUT	2		M10			
26	90302041001	WASHER,SPRING	8		10			
27	90191208025	BOLT	2		M8X25			
28	31790670100	SUPPORT	1					
50	36402510000	POWER TAKE OFF ASSY	1					
100	31792480000	POWER TAKE OFF	1					

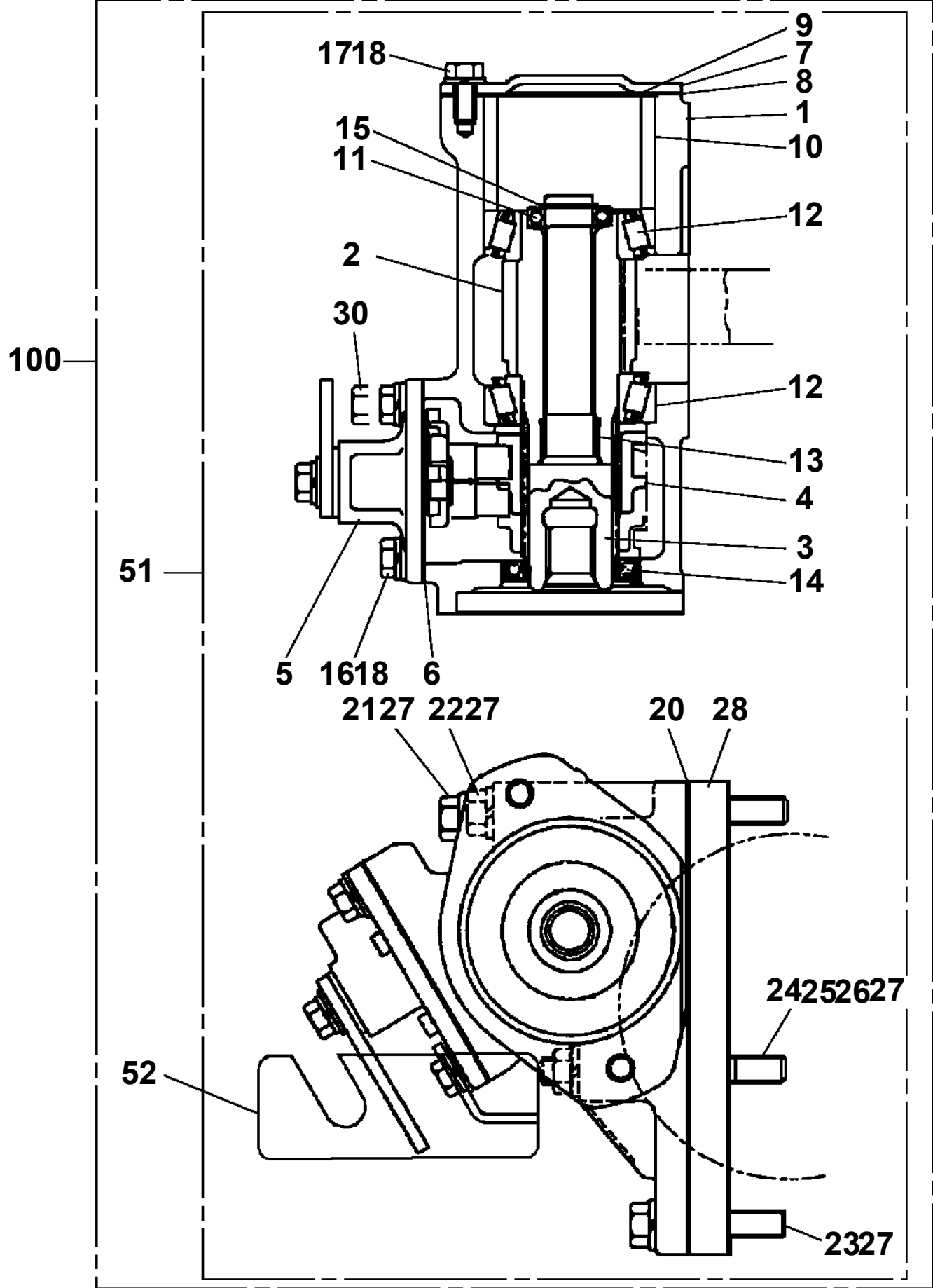
# TM-ZR260 41108210670A FRAME/SL,REMOTE-RADIO CONT.,S-HOOK-IN

Pos No.	Parts No	Parts Name	Qty	Unit	Technical Data	Serial No (Start)	Serial No (End)	Remarks	Page
1	36401420000	POWER TAKE OFF	1						00001
2	31790990100	SUPPORT	1						
50	31790990000	POWER TAKE OFF	1						

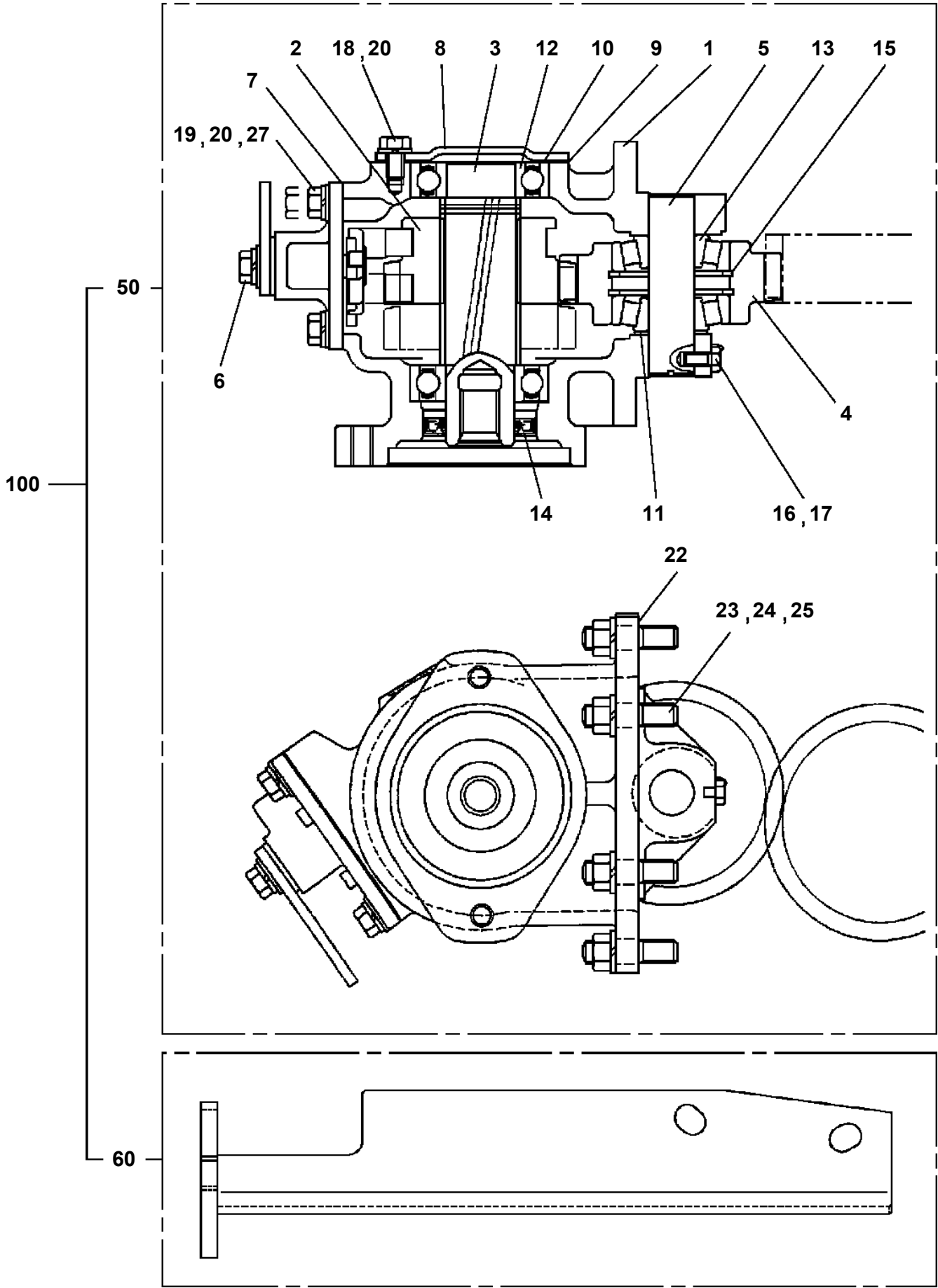
TM-ZR260 41108210670A FRAME/SL,REMOTE-RADIO CONT.,S-HOOK-IN  
PB1030209-01 POWER TAKE OFF



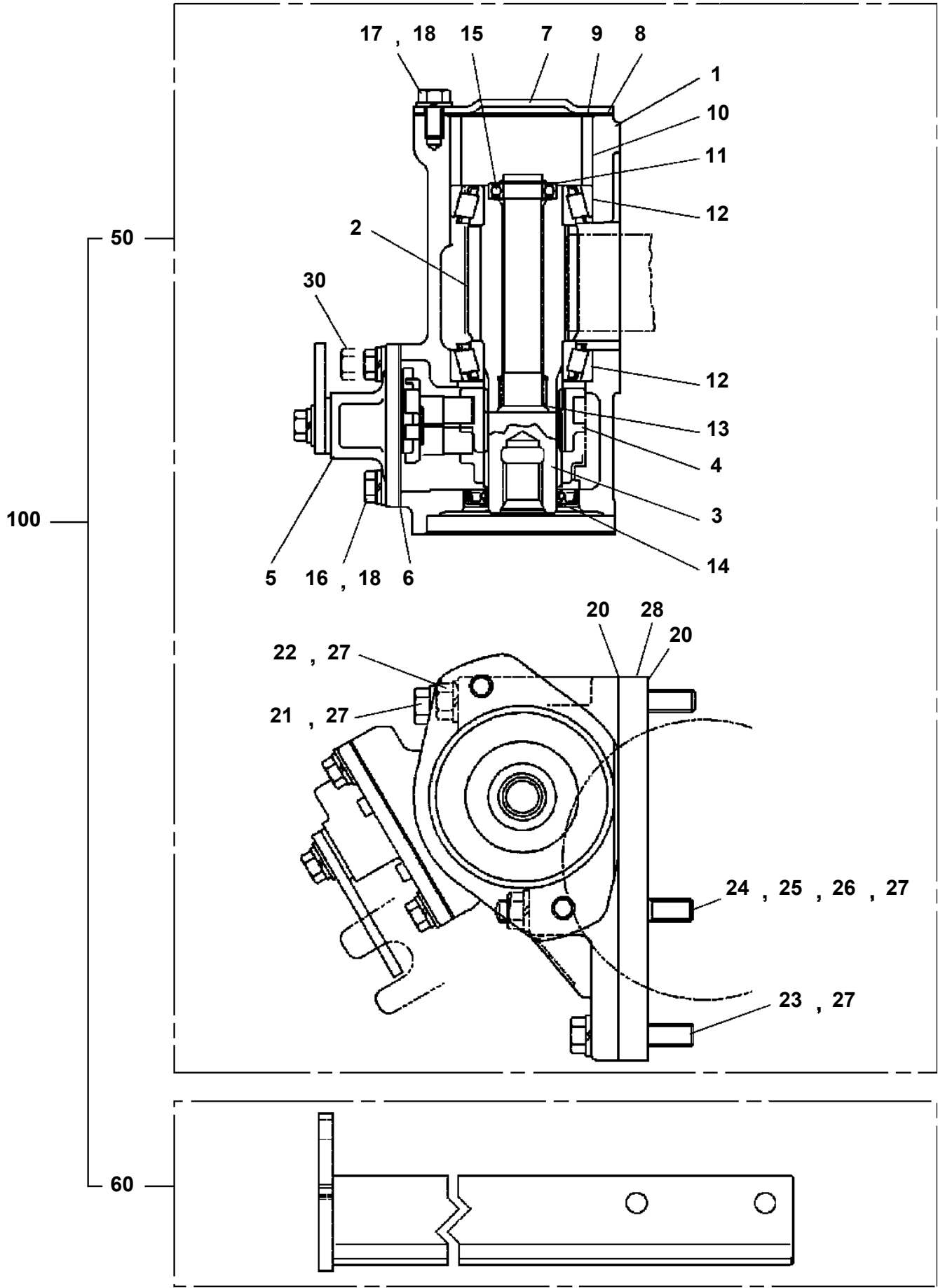
TM-ZR260 41108210670A FRAME/SL,REMOTE-RADIO CONT.,S-HOOK-IN  
PB1030222-00 POWER TAKE OFF



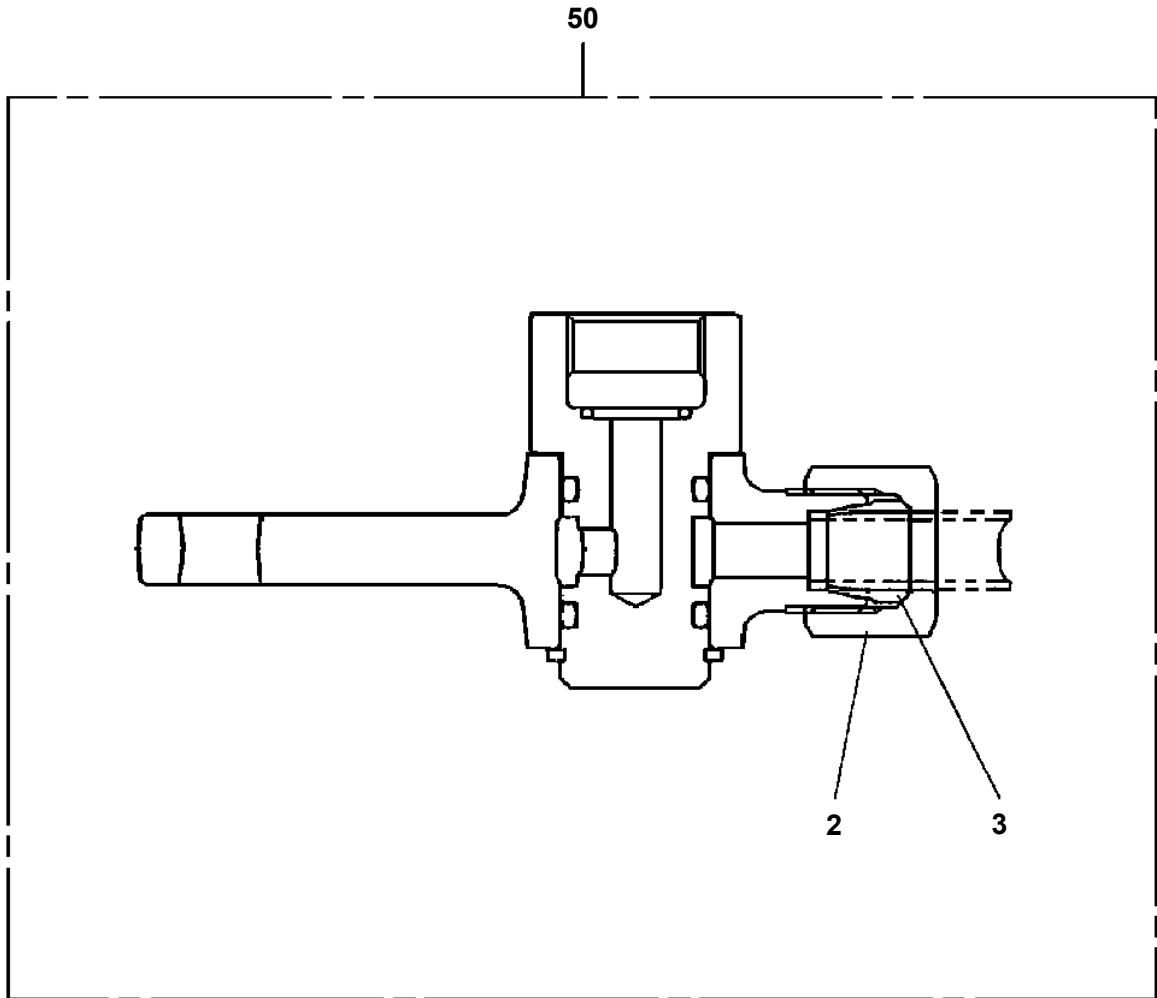
TM-ZR260 41108210670A FRAME/SL,REMOTE-RADIO CONT.,S-HOOK-IN  
PB1030228-00 POWER TAKE OFF



TM-ZR260 41108210670A FRAME/SL,REMOTE-RADIO CONT.,S-HOOK-IN  
PB1030235-01 POWER TAKE OFF

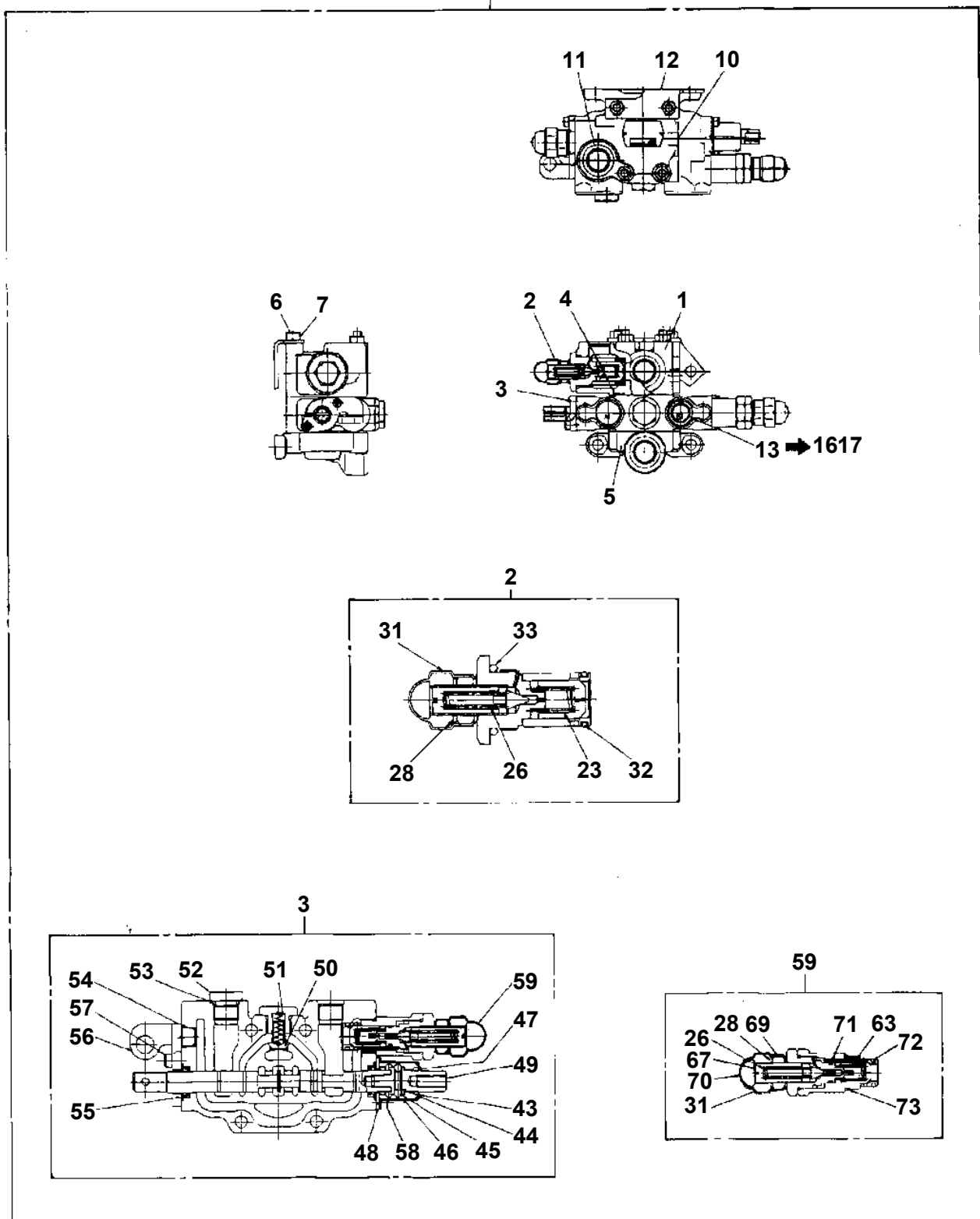


TM-ZR260 41108210670A FRAME/SL,REMOTE-RADIO CONT.,S-HOOK-IN  
PB1300315-01 JOINT,ROTARY



TM-ZR260 41108210670A FRAME/SL,REMOTE-RADIO CONT.,S-HOOK-IN  
PB1320412-01 VALVE,MANUAL CONTROL (SERVICE PORT)

100

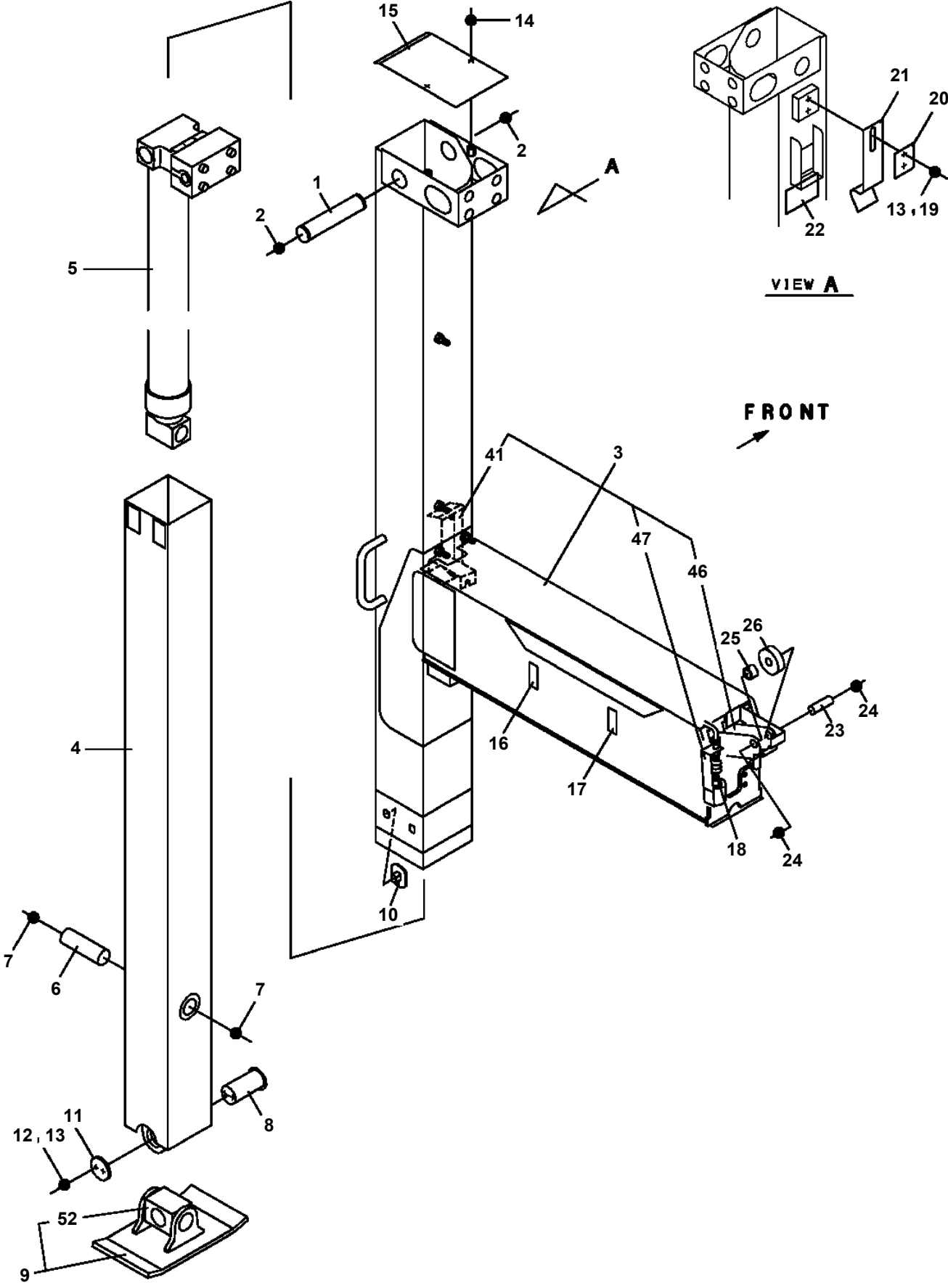




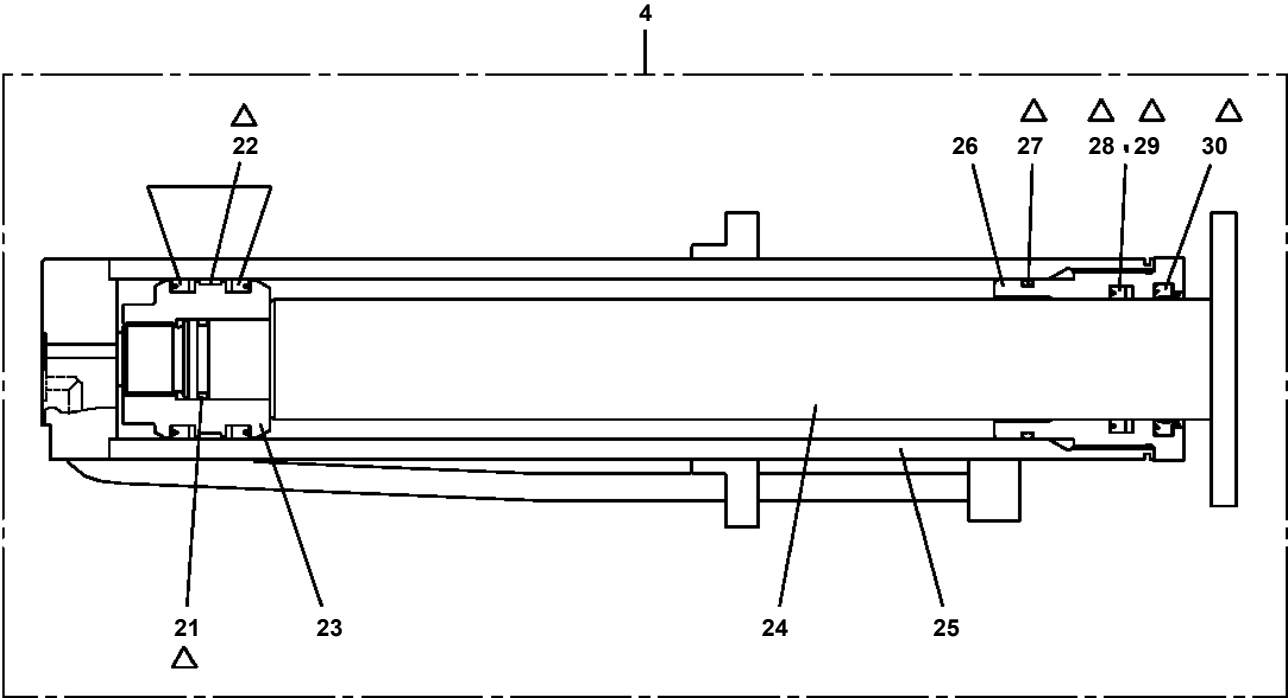
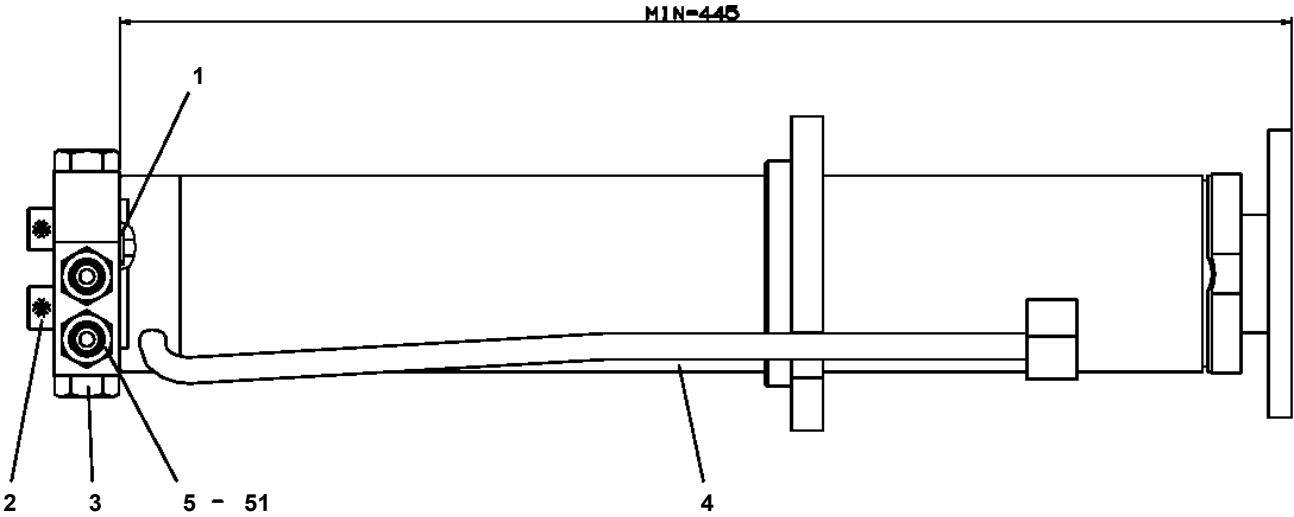
# TM-ZR260 41108210670A FRAME/SL,REMOTE-RADIO CONT.,S-HOOK-IN

Pos No.	Parts No	Parts Name	Qty	Unit	Technical Data	Serial No (Start)	Serial No (End)	Remarks
1	80481003037	JOINT	1					
2	91002801400	O-RING	11		1B P14			
3	80400160129	JOINT	1					
4	37002472410	HOSE	1		L=710			
5	37000926260	JOINT	2					
6	37000928540	JOINT	2					
7	80430620400	JOINT	3					
8	37002472420	HOSE	2		L=560			
9	37000928990	JOINT	1					
10	37002472430	HOSE	1		L=660			
11	80491303030	JOINT (WITH O-RING)	1		L,PF3/8-PF3/8			
12	80303210050	FITTING,ELBOW	1					
13	81408000100	PIPE,STEEL	1	M	10X1.2T			
14	36605690000	VALVE,RELIEF	1					
15	90172110070	BOLT,HEXAGON SOCKET	4		M10X70			
16	90172110045	BOLT,HEXAGON SOCKET	4		M10X45			
17	37000805630	FITTING,FLANGE	1					
18	36645900000	VALVE,SOLENOID	1					
19	90172105050	BOLT,HEXAGON SOCKET	4		M5X50			
20	90101208020	BOLT	1		M8X20			
21	90280200800	NUT,FLANGE	1		M8			
23	82100002013	CLAMP	1		WRC18			
24	36646380001	VALVE,SOLENOID	1					
25	90101208035	BOLT	2		M8X35			
26	90302040801	WASHER,SPRING	2		8			
27	37000805590	FITTING,FLANGE	1					
28	91810130250	FASTENER	2					
29	31646401101	SUPPORT	1					
30	90101510018	BOLT	6		M10X18			
31	90302041001	WASHER,SPRING	6		10			
32	31646401201	SUPPORT	1					
33	80302120060	FITTING	1		POA10PF1/4			
34	91002801100	O-RING	1		1B P11			
35	37000921890	JOINT	1					
36	80303210080	FITTING,ELBOW	2					
37	81408000160	PIPE,STEEL	1	M	12X1.4T			
38	37000916430	FITTING	2					
39	80314110080	NUT	2		PN12			
40	80314120080	SLEEVE	2		PT12			
41	81408000160	PIPE,STEEL	1	M	12X1.4T			
42	91810130270	FASTENER	1					
61	91002801400	O-RING	4		1B P14			
71	91002801100	O-RING	3		1B P11			
82	80316090020	PLUG	1		KKT PT1/8			
92	80316030020	PLUG	2		PT1/8			

TM-ZR260 41108210670A FRAME/SL,REMOTE-RADIO CONT.,S-HOOK-IN  
PC1010801-00 OUTRIGGER (LEFT)

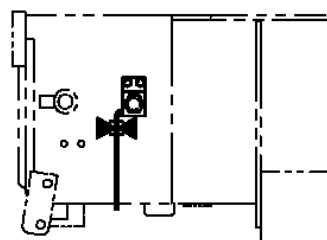
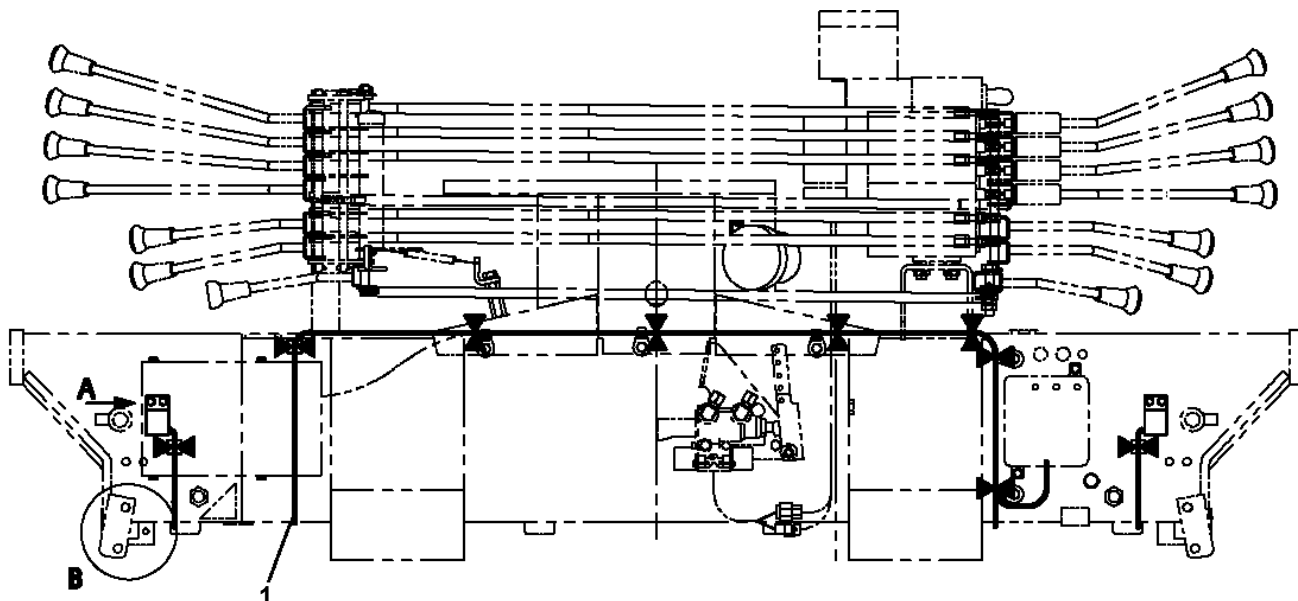


**TM-ZR260 41108210670A FRAME/SL,REMOTE-RADIO CONT.,S-HOOK-IN  
PC1030185-04 CYLINDER,JACK (REAR)**

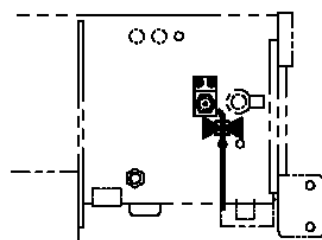


△:PACKING SET KEY NO.41 (KEY NO.21,22,27,28,29,30)

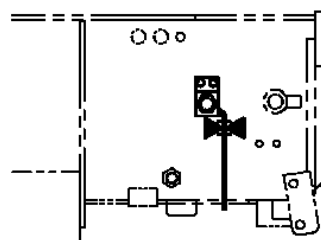
TM-ZR260 41108210670A FRAME/SL,REMOTE-RADIO CONT.,S-HOOK-IN  
 PC1190034-01 INDICATOR,OUTRIGGER (BML)



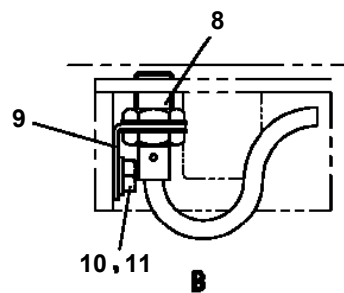
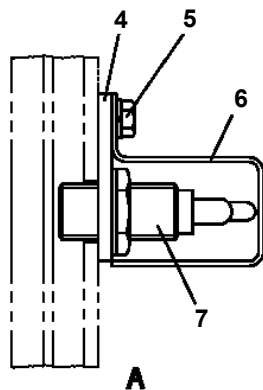
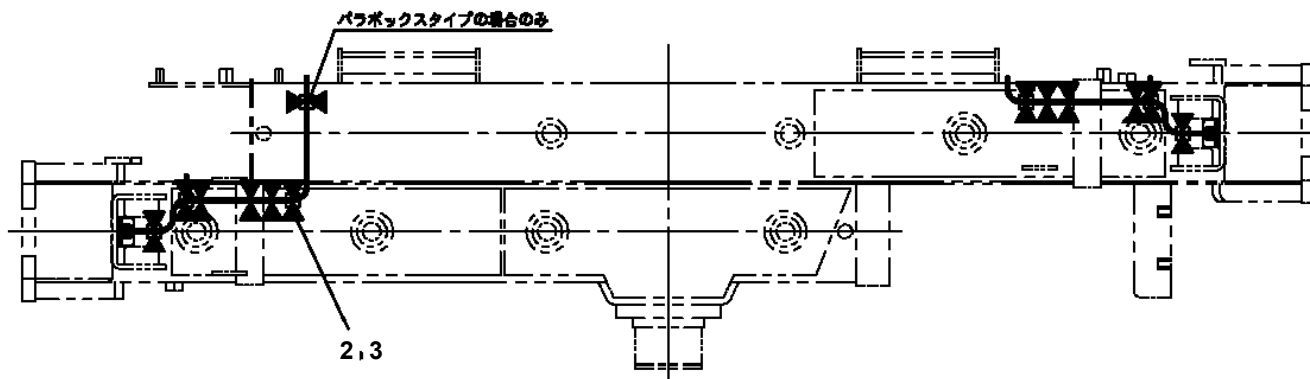
ZR290SLの場合



ZR260SLの場合

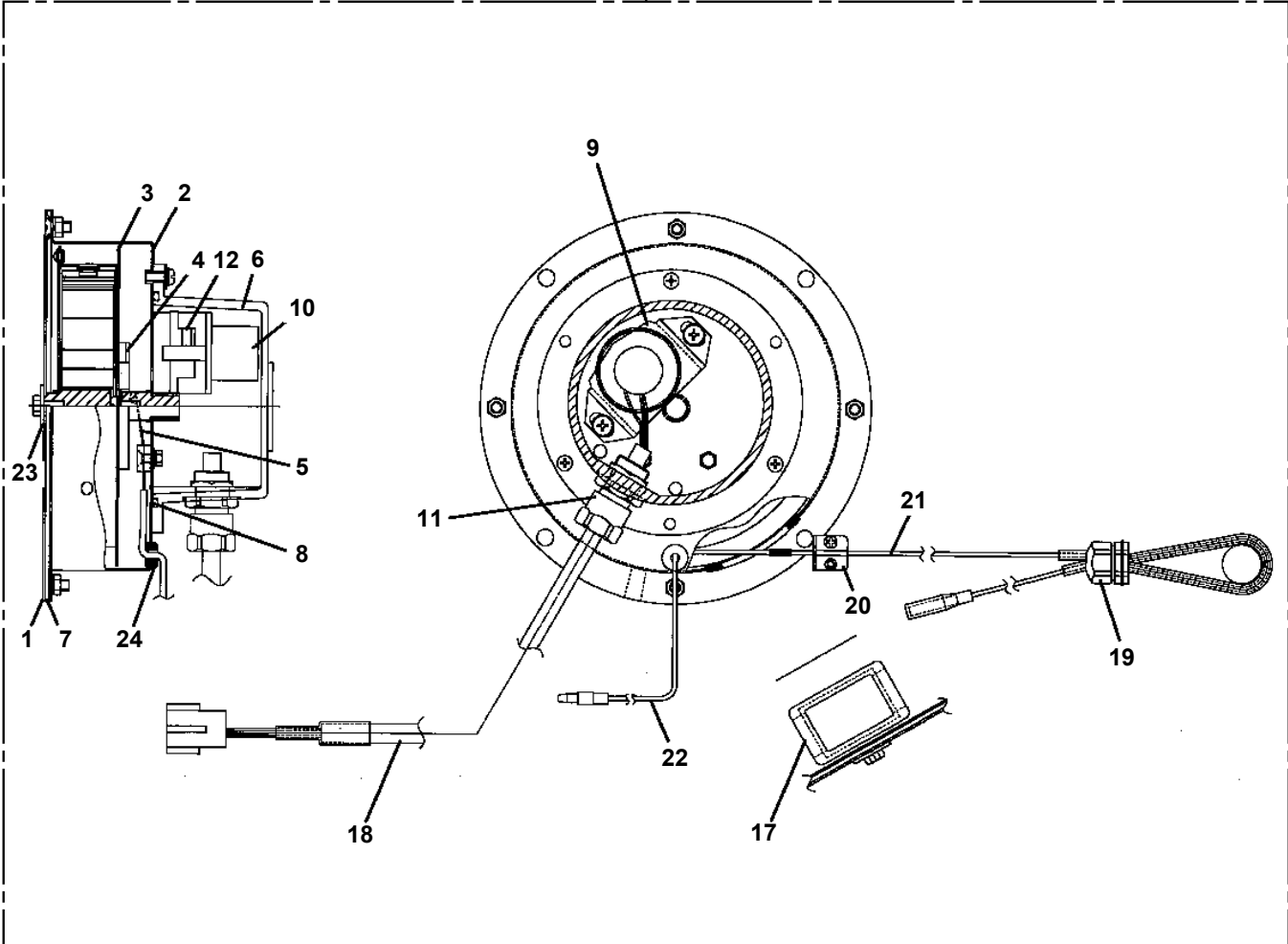


ZR290SLの場合

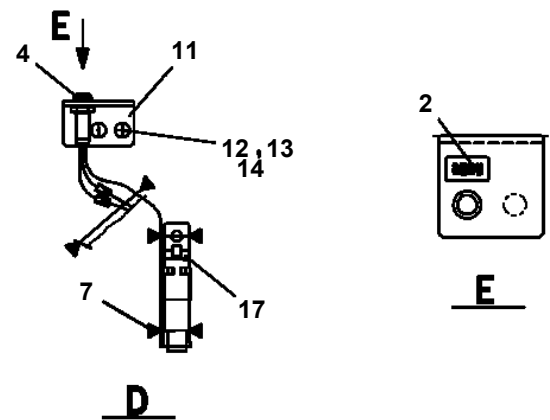
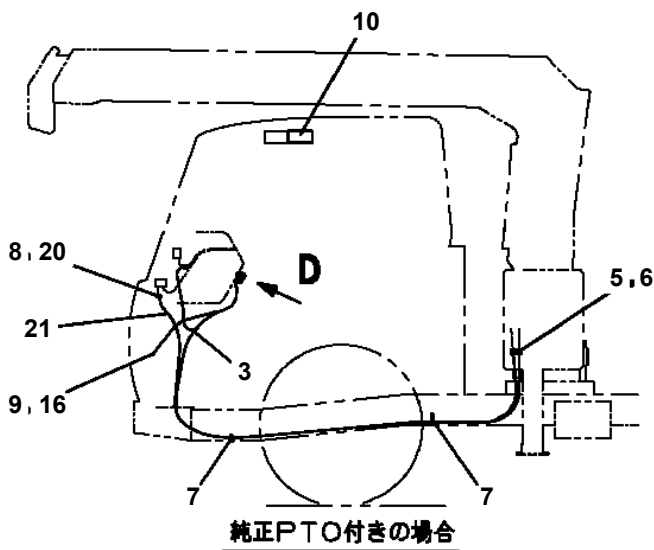
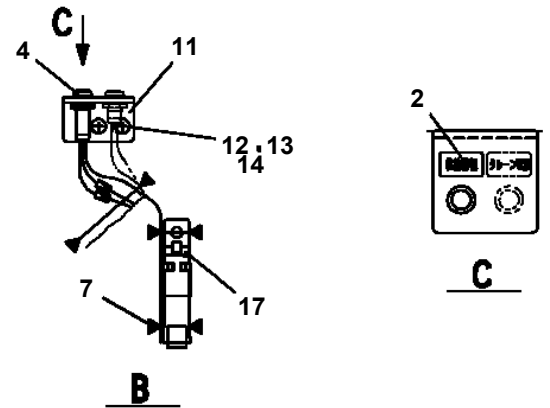
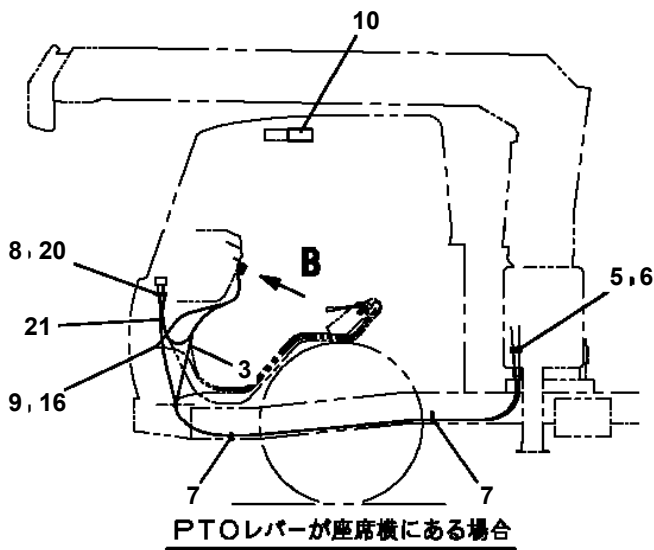
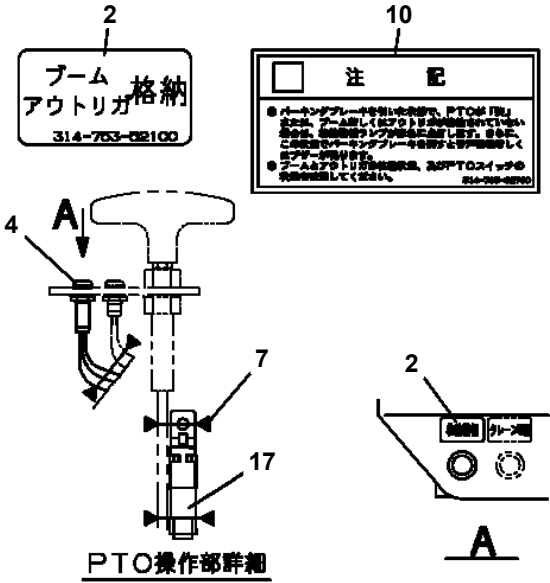
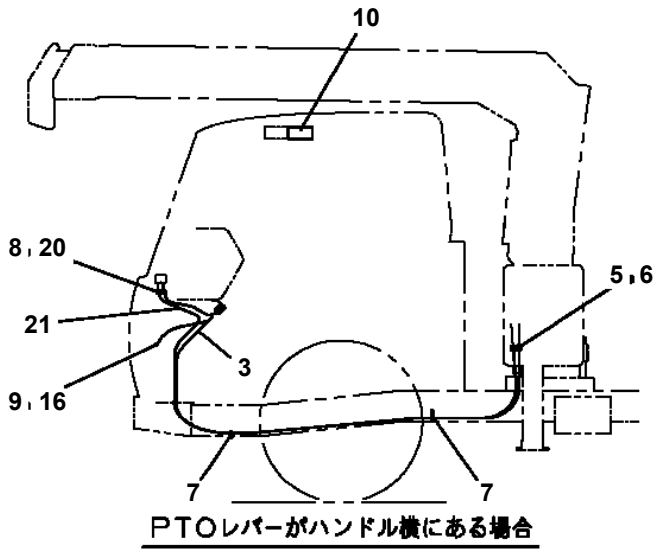


TM-ZR260 41108210670A FRAME/SL,REMOTE-RADIO CONT.,S-HOOK-IN  
PD5070017-00 DETECTOR ASSY,LENGTH

100



TM-ZR260 41108210670A FRAME/SL,REMOTE-RADIO CONT.,S-HOOK-IN  
PE5021179-00 ELEC.ASSY (MOUNTING VEHICLE)



## TM-ZR260 41108210670A FRAME/SL,REMOTE-RADIO CONT.,S-HOOK-IN

Pos No.	Parts No	Parts Name	Qty	Unit	Technical Data	Serial No (Start)	Serial No (End)	Remark
65	90131506018	BOLT,HEXAGON SOCKET	10		M6X18			
66	90302040601	WASHER,SPRING	10		6			
67	80172304012	SCREW,MACHINE	1		M4X12			
68	90302040401	WASHER,SPRING	8		4			
69	90211301200	NUT	1		M12			
70	36071315390	SCREW,SET	3		M6X6			
71	80205000300	PLUG	2		PT3/8			
74	80136320016	PIN,SPLIT	1		2X16			
75	36071135290	SCREW	2		M5X10			
77	90131508015	BOLT,HEXAGON SOCKET	1		M8X15			
78	36071315400	WASHER,SEAL	1					
79	90303071001	WASHER,PLAIN	1		10			
80	90131504012	BOLT,HEXAGON SOCKET	7		M4X12			
81	36072285030	SEAL,DUST	1					
82	90131506045	BOLT,HEXAGON SOCKET	4		M6X45			
83	90302040601	WASHER,SPRING	4		6			
85	91410001800	RING,BACKUP	2		P18			
86	91410001400	RING,BACKUP	1		P14			
100	36072280000	WINCH (DRUM FREE)	1					

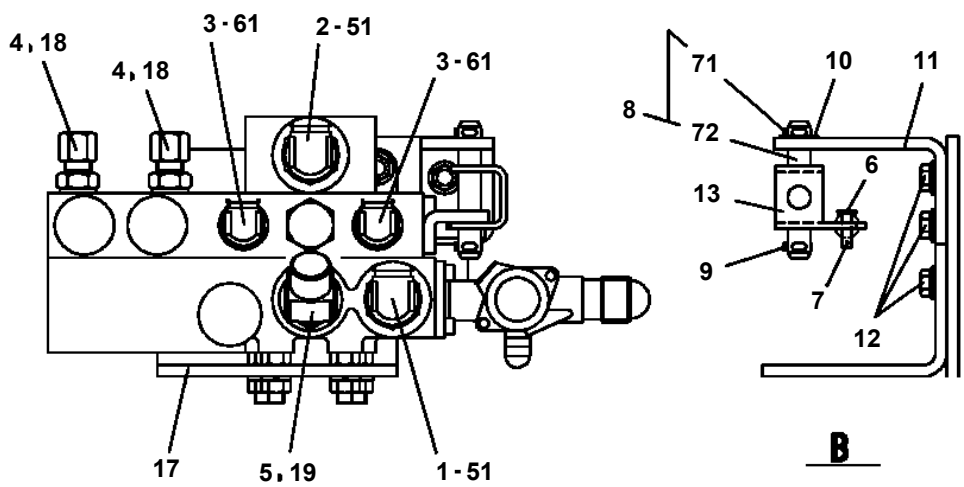
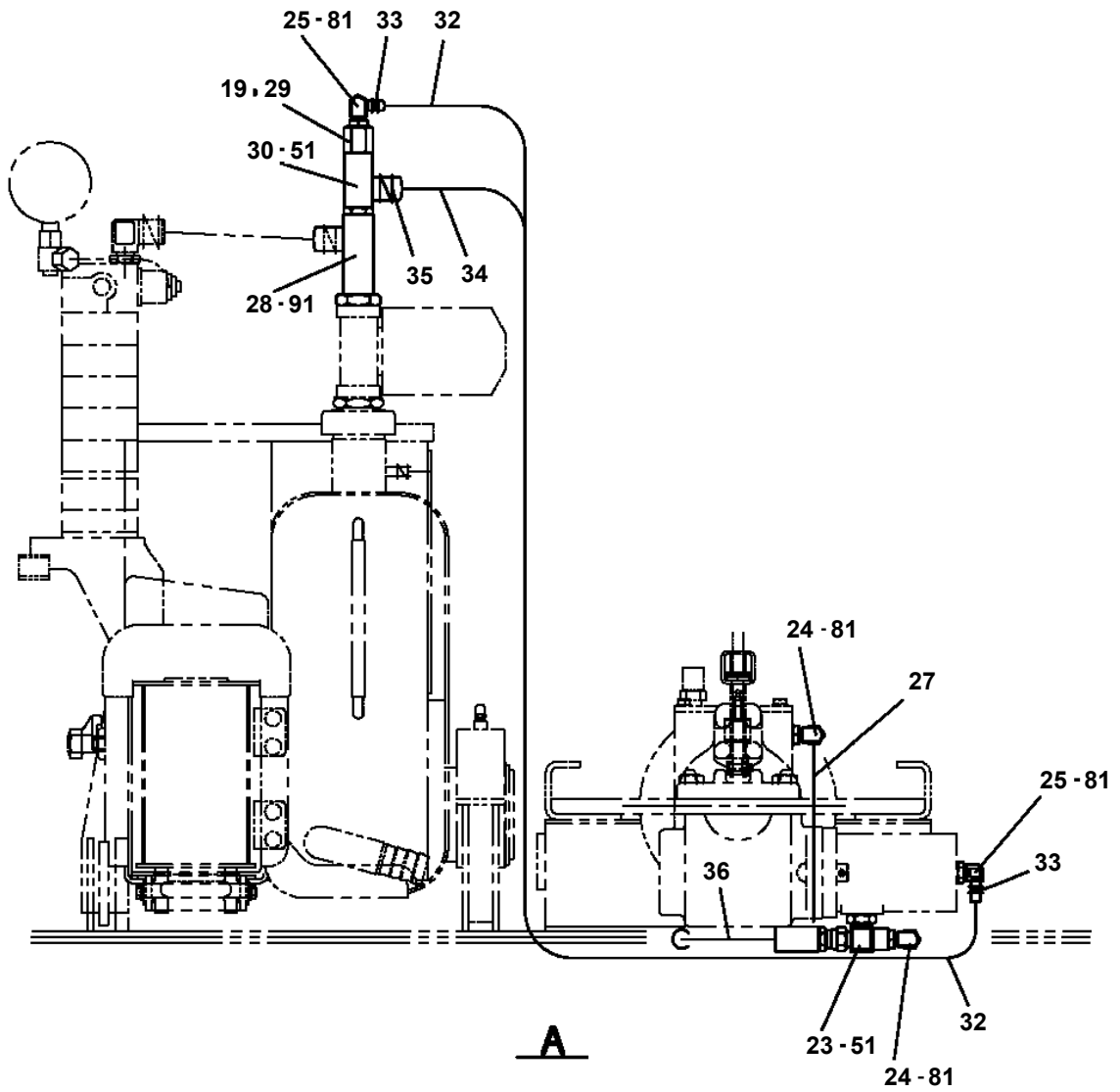
**TM-ZR260 41108210670A FRAME/SL,REMOTE-RADIO CONT.,S-HOOK-IN**

Pos No.	Parts No	Parts Name	Qty	Unit	Technical Data	Serial No (Start)	Serial No (End)	Remarks
1	(*****)	MOUNT,WINCH	1					
2	(*****)	PIPING,WINCH	1					
3	(*****)	ELEC.ASSY	1					
6	31292491000	ROPE ASSY (WITH HOOK)	1					

# TM-ZR260 41108210670A FRAME/SL,REMOTE-RADIO CONT.,S-HOOK-IN

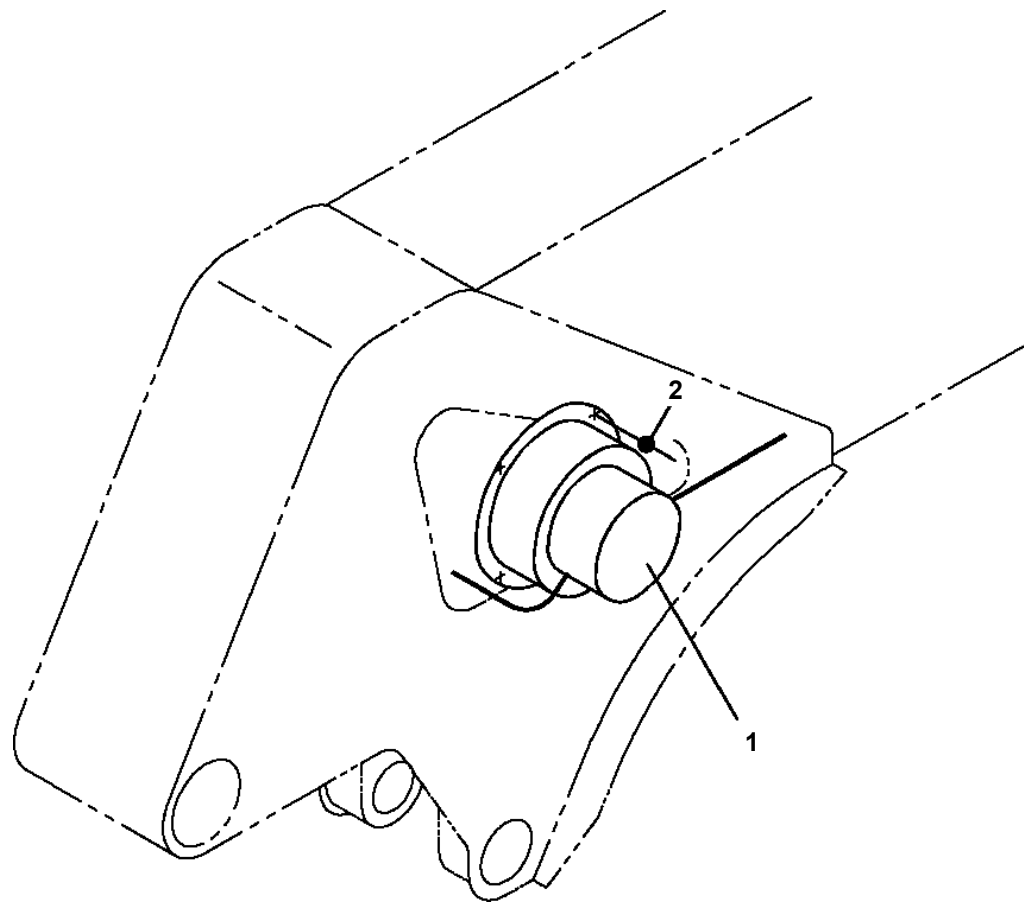
Pos No.	Parts No	Parts Name	Qty	Unit	Technical Data	Serial No (Start)	Serial No (End)	Rema
1	36090230000	HOOK (1-PART LINE ,OPTION)	1					
2	(*****)	PLATE ASSY,NAME (HOOK)	1					

**TM-ZR260 41108210670A FRAME/SL,REMOTE-RADIO CONT.,S-HOOK-IN  
PF1200402-00 PIPING,WINCH**

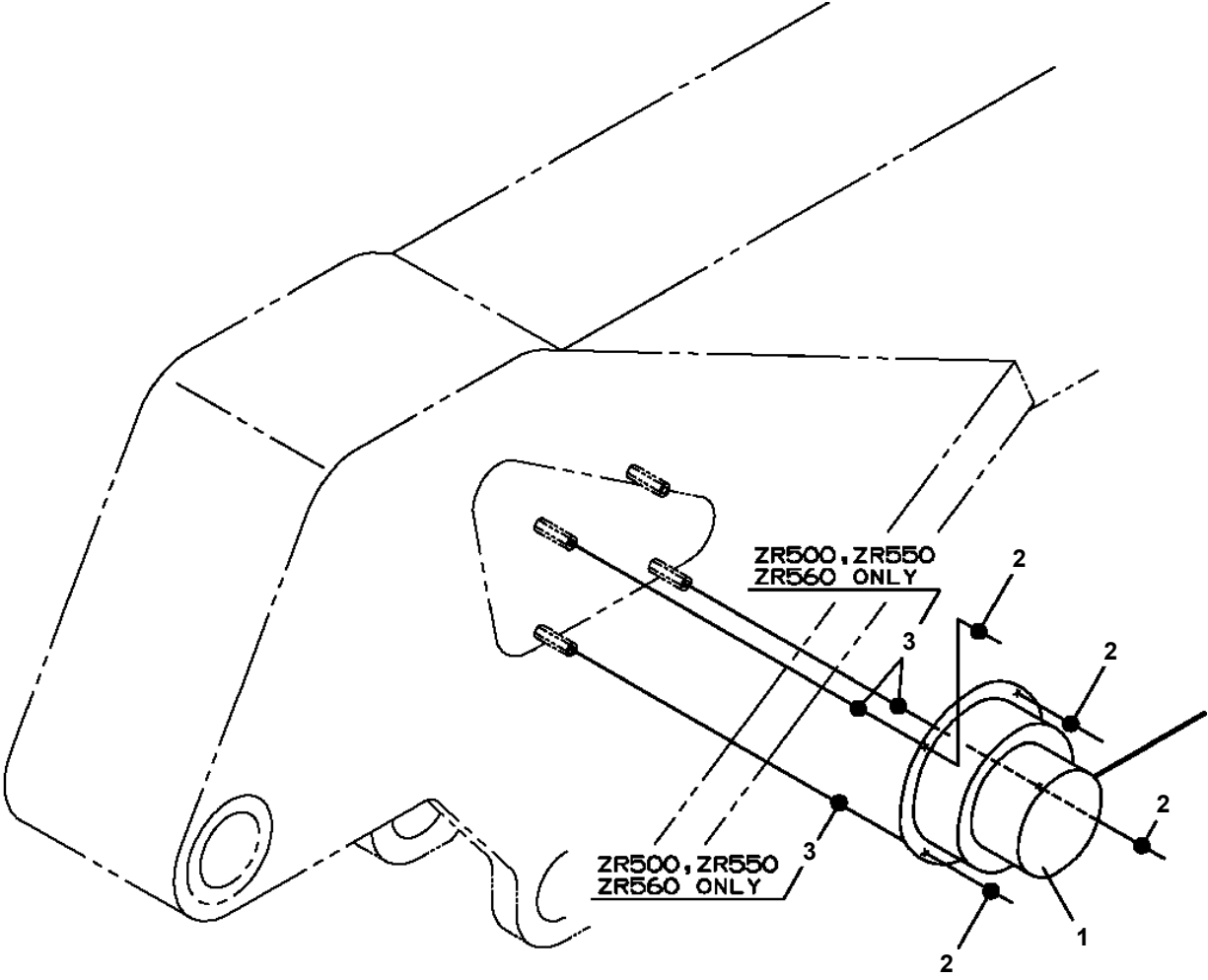


1連ラジコン弁取付ジョイント

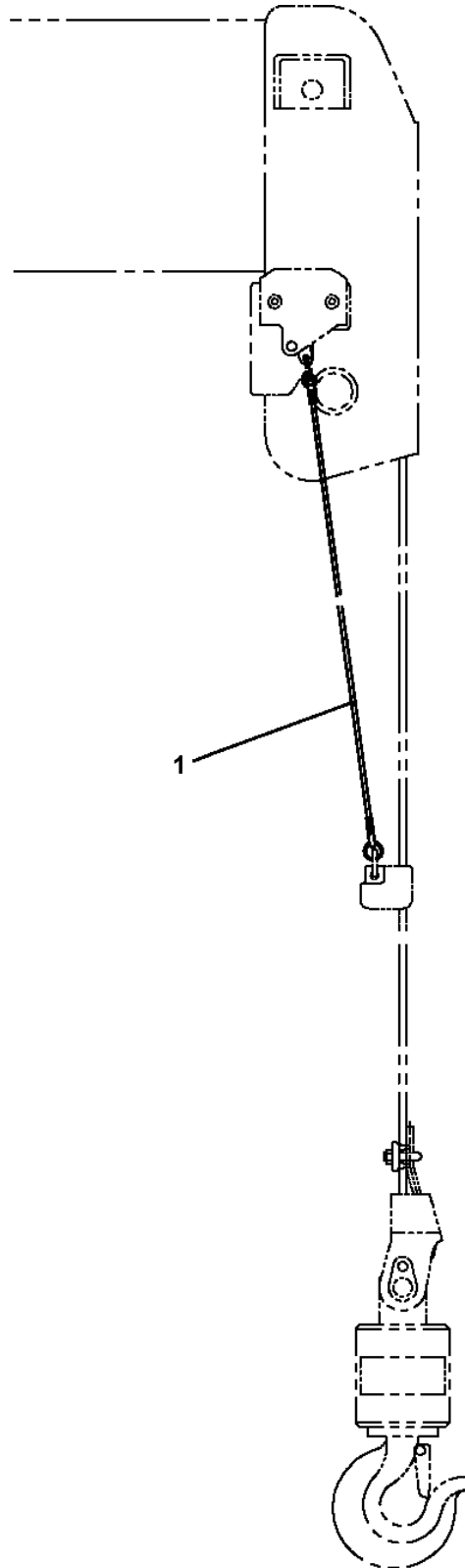
TM-ZR260 41108210670A FRAME/SL,REMOTE-RADIO CONT.,S-HOOK-IN  
PG1120176-00 DETECTOR,BOOM LENGTH (BML,5-6SECT.)



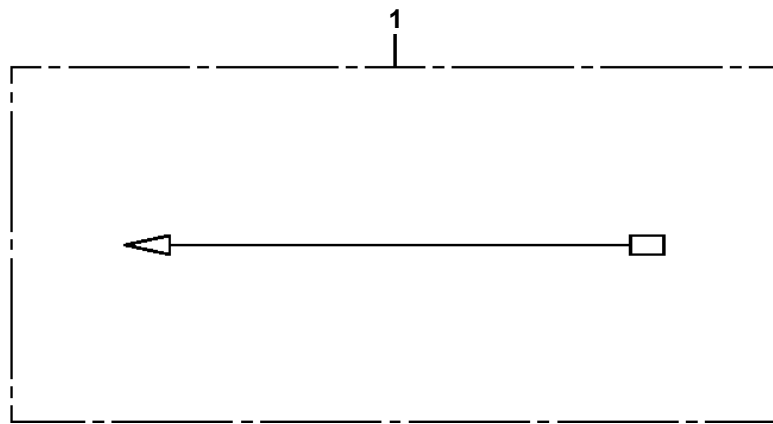
**TM-ZR260 41108210670A FRAME/SL,REMOTE-RADIO CONT.,S-HOOK-IN  
PG1130145-01 DETECTOR,BOOM LENGTH (MOUNT)**



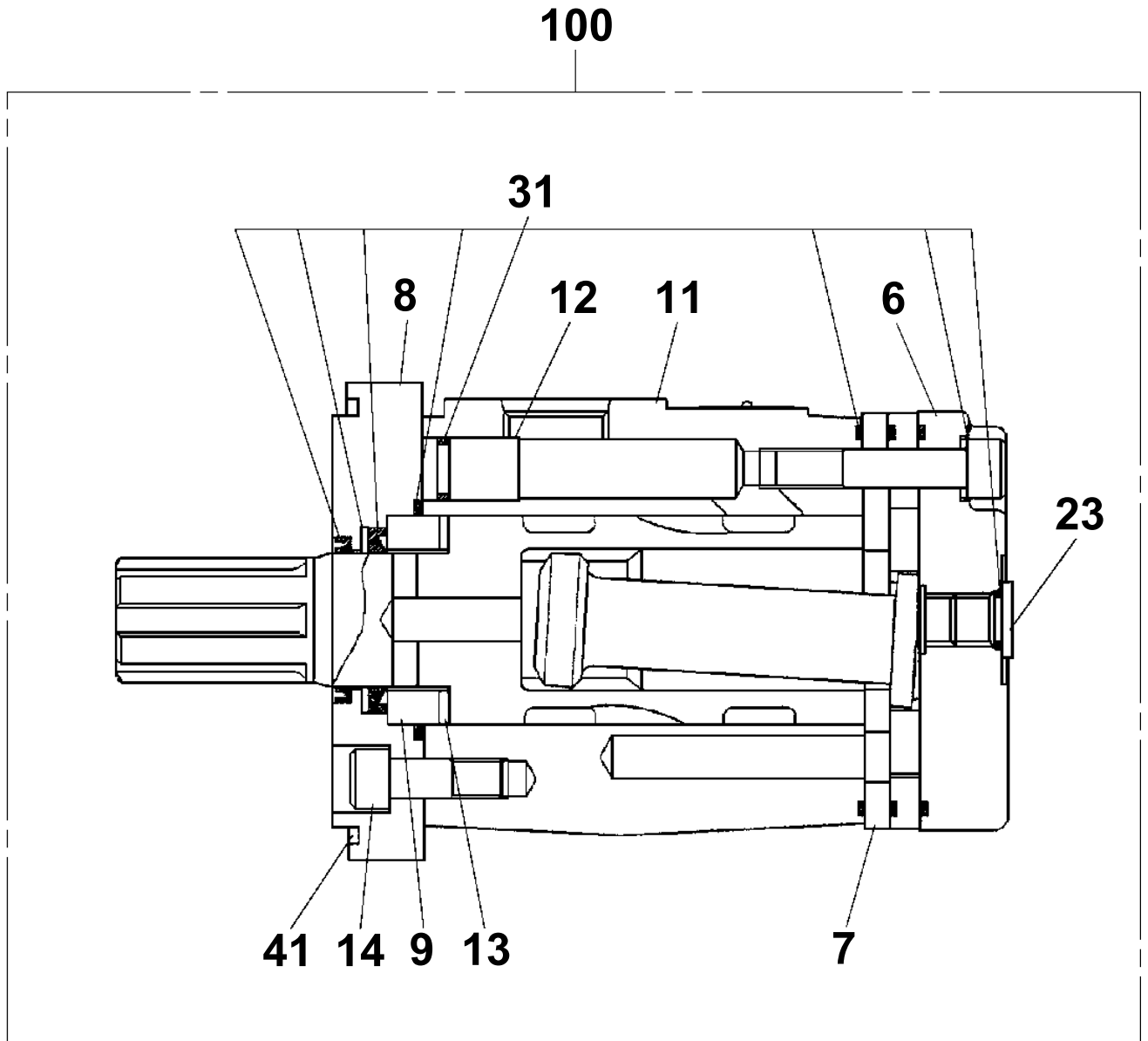
TM-ZR260 41108210670A FRAME/SL,REMOTE-RADIO CONT.,S-HOOK-IN  
PH1060338-00 DETECTOR,OVER WINDING



TM-ZR260 41108210670A FRAME/SL,REMOTE-RADIO CONT.,S-HOOK-IN  
PH5032122-00 HARNESS (L=1000)

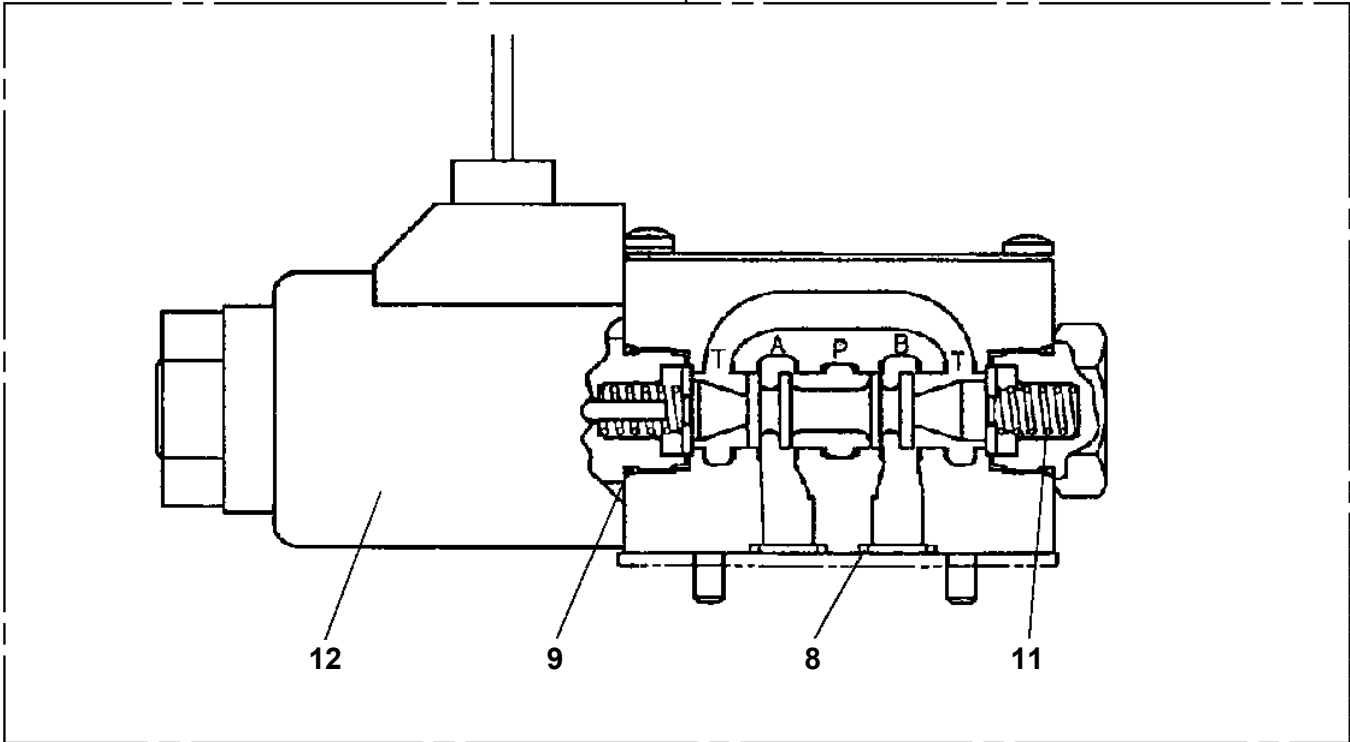


TM-ZR260 41108210670A FRAME/SL,REMOTE-RADIO CONT.,S-HOOK-IN  
PI1010190-00 MOTOR,HYDRAULIC

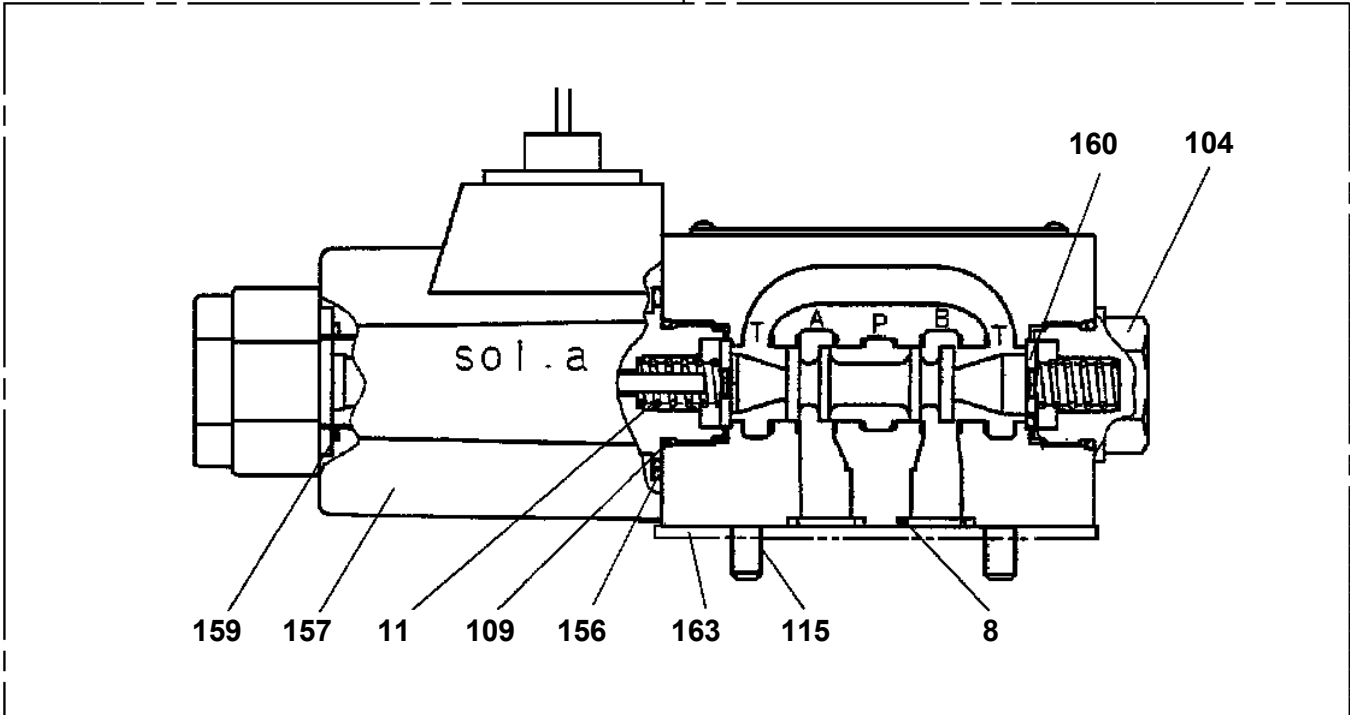


TM-ZR260 41108210670A FRAME/SL,REMOTE-RADIO CONT.,S-HOOK-IN  
PI1120265-01 VALVE,SOLENOID

200



200



CLICK HERE TO **DOWNLOAD** THE COMPLETE MANUAL

- Thank you very much for reading the preview of the manual.
- You can download the complete manual from: [www.heydownloads.com](http://www.heydownloads.com) by clicking the link below

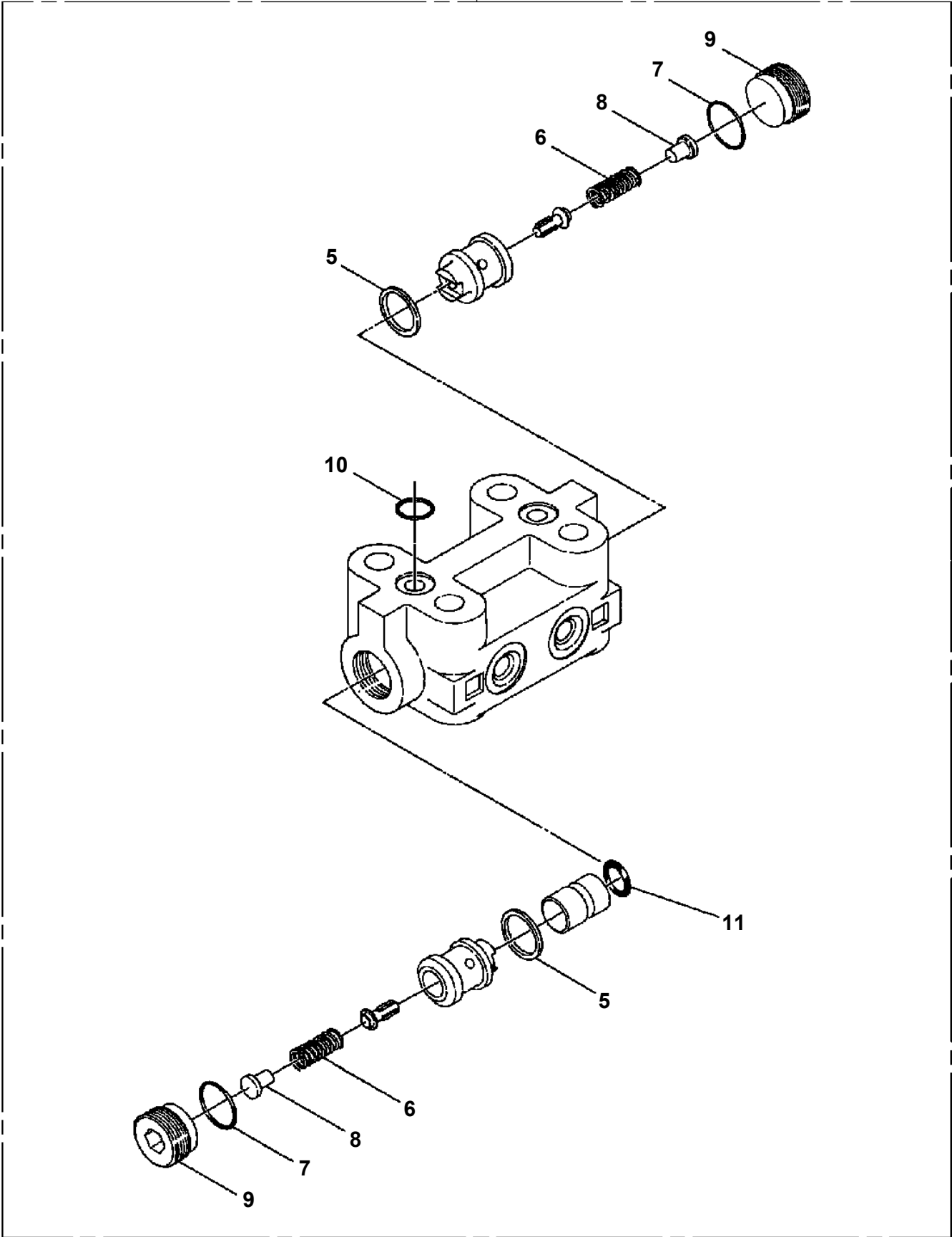


- Please note: If there is no response to CLICKING the link, please download this PDF first and then click on it.

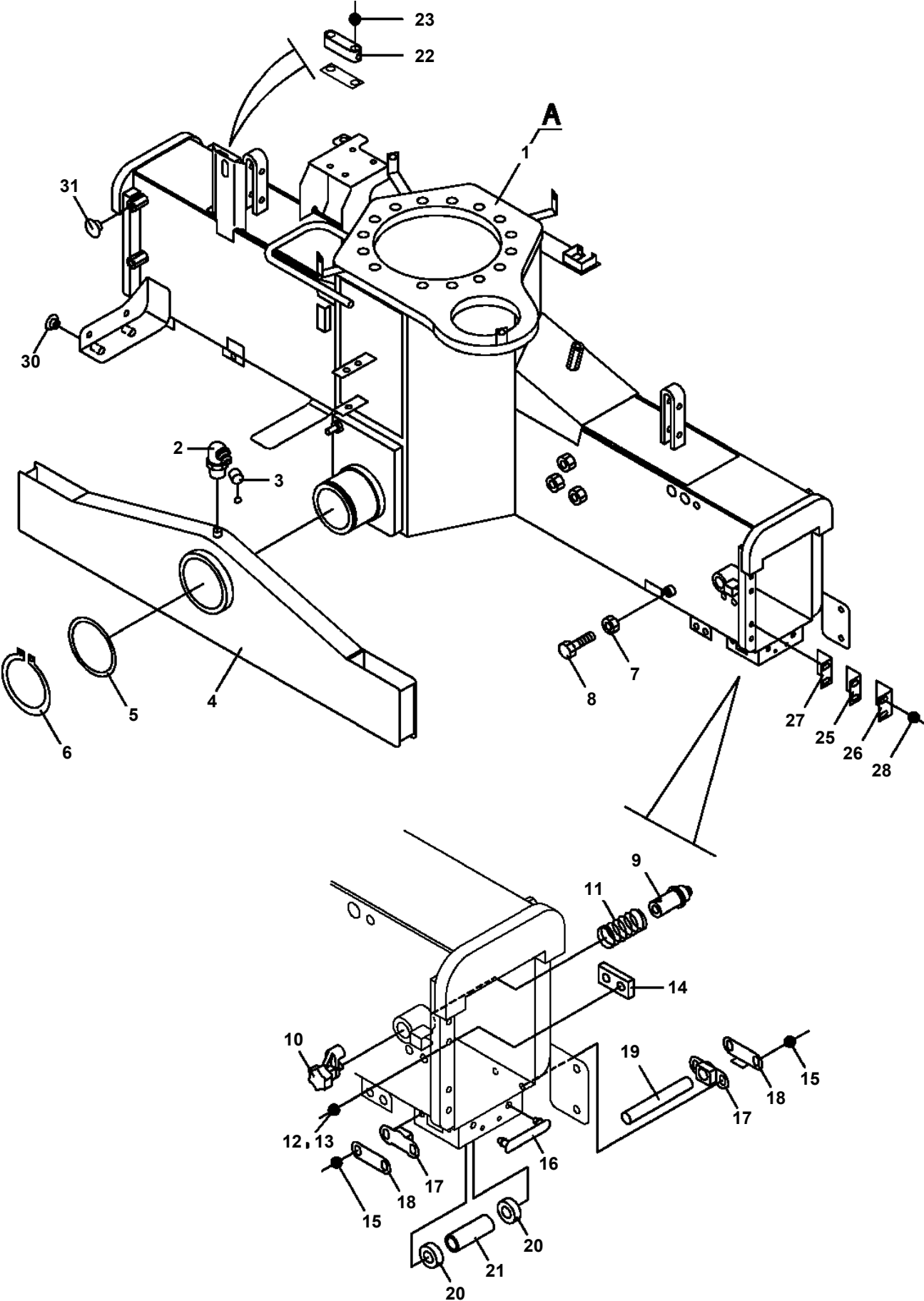
CLICK HERE TO **DOWNLOAD** THE COMPLETE MANUAL

TM-ZR260 41108210670A FRAME/SL,REMOTE-RADIO CONT.,S-HOOK-IN  
PI1280067-01 VALVE,PILOT CHECK

100



TM-ZR260 41108210670A FRAME/SL,REMOTE-RADIO CONT.,S-HOOK-IN  
PK1011165-00 FRAME



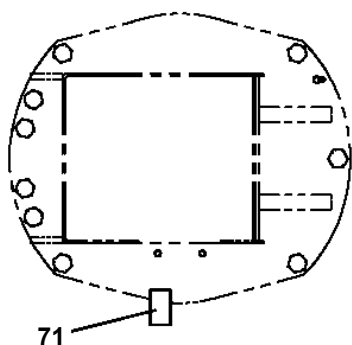
## TM-ZR260 41108210670A FRAME/SL,REMOTE-RADIO CONT.,S-HOOK-IN

Pos No.	Parts No	Parts Name	Qty	Unit	Technical Data	Serial No (Start)	Se
1	(*****)	TANK,OIL (MOUNT)	1				
2	(*****)	STOPPER,ROTARY JOINT	1				
3	31631210000	JOINT,ROTARY	1				
4	(*****)	PIPING,UPPER	1				
5	(*****)	PIPING,LOWER (TELESCOPING,WINCH)	1				
6	(*****)	PIPING,LOWER	1				
7	(*****)	PIPING,LOWER (REMOTE CONT.VALVE/SANWA)	1				
10	(*****)	OUTRIGGER	1				
15	(*****)	REDUCER,SWING SPEED (MOUNT)	1				
16	31241000000	CYLINDER,ELEVATING	1				
17	(*****)	MOUNT,WINCH	1				
20	(*****)	DETECTOR,DISORDERLY WINDING	1				
22	36611470001	VALVE,FLOW CONTROL	1				
23	36682370001	METER,LOAD (2.6TON ENG&JAPANESE/NAGANO)	1				
	36682360001	METER,LOAD (2.6TON ENG& APANESE/KUSABA)	1				
24	(*****)	FRAME	1				
25	(*****)	SWING FRAME	1				
26	(*****)	COVER,BEARING	1				
27	(*****)	OPE.ASSY,CONT.VALVE (CRANE)	1				
28	(*****)	ELEC.ASSY	1				
29	(*****)	ELEC.ASSY (SWITCH COVER)	1				

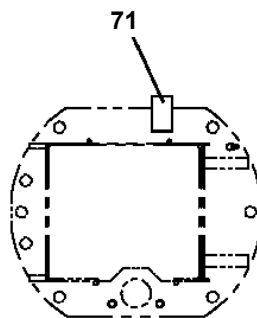
**TM-ZR260 41108210670A FRAME/SL,REMOTE-RADIO CONT.,S-HOOK-IN**

Pos No.	Parts No	Parts Name	Qty	Unit	Technical Data	Serial No (Start)	Serial No (End)	Remark
1	90171110016	BOLT	4		M10X16			
2	90302041001	WASHER,SPRING	4		10			
4	37000105610	PIN	20		L=18			
5	80620210050	PIN,SNAP	27					
6	31322192000	ROD	3					
7	31322192100	ROD ASSY	1					
8	31323402000	ROD ASSY	1					
9	37000164930	PIN	1					
10	31322224200	PLATE	10		L=1			
11	80136840020	PIN,SPLIT	2		4X20			
12	31323140450	LEVER	1					
13	31323140350	LEVER	1					
14	31323140250	LEVER	1					
15	31323140150	LEVER	1					
16	31323330100	KNOB (BLACK)	7					
17	31323330200	KNOB (RED)	1					
18	80824001610	BEARING,PLAIN	1					
19	31323330750	LEVER	1					
20	31323430300	SUPPORT ASSY	1					
21	31323430100	ROD ASSY	1					
22	31323430200	LEVER	2					
23	90203201200	NUT	2		M12			
24	90303071201	WASHER,PLAIN	3		12			
25	90309331205	WASHER,CONICAL SPRING	2		L12			
26	90101212070	BOLT	2		M12X70			
27	31322050600	BOLT	1					
28	80136850025	PIN,SPLIT	1		5X25			
29	31323144300	LINK	1					
30	12434402040	SPRING	1					
31	80172305008	SCREW,MACHINE	2		M5X8			
32	37000311490	SPACER	1		L=20			
33	31323324000	ROD ASSY	1					
34	37000147840	PIN	2					
35	31322222000	ROD ASSY	1					
36	37000311460	SPACER	2		L=5			
37	37001300530	SPRING	1					
38	37000311470	SPACER	1		L=8			
39	80136332045	PIN,SPLIT	2					
40	31323340701	PLATE	2					
41	31323430400	ROD ASSY	1					
42	31321960100	FORK	1					
43	90186208014	BOLT,FLANGE	1		M8X14			
44	31323340600	LEVER	1					
45	31323340800	SHIM	3					
46	90201201200	NUT	2		M12			
47	31323430500	ROD ASSY	1					
48	31323144200	SUPPORT	1					
49	90191210050	BOLT	1		M10X50			
51	37000171010	PIN	3					
52	31323300100	STOPPER	1					
53	37001300390	SPRING	1					
71	31323301100	SUPPORT	1					
72	31322031150	SUPPORT	1					
73	90186208010	BOLT,FLANGE	2		M8X10			
74	90102208035	BOLT	1		M8X35			
75	31323330200	KNOB (RED)	1					
76	31323330100	KNOB (BLACK)	5					
77	31323141850	LEVER	1					
78	31323140350	LEVER	1					
79	31323140250	LEVER	1					
80	31323140150	LEVER	1					
81	37000175340	PIN	1					
82	90201200800	NUT	1		M8			

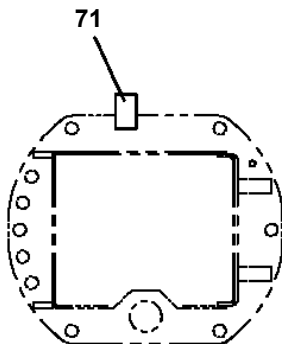
TM-ZR260 41108210670A FRAME/SL,REMOTE-RADIO CONT.,S-HOOK-IN  
PN1012324-03 ELEC.ASSY (BML)



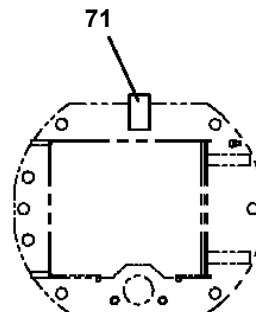
ZR500



ZR230, 260, 290



ZR300, 360

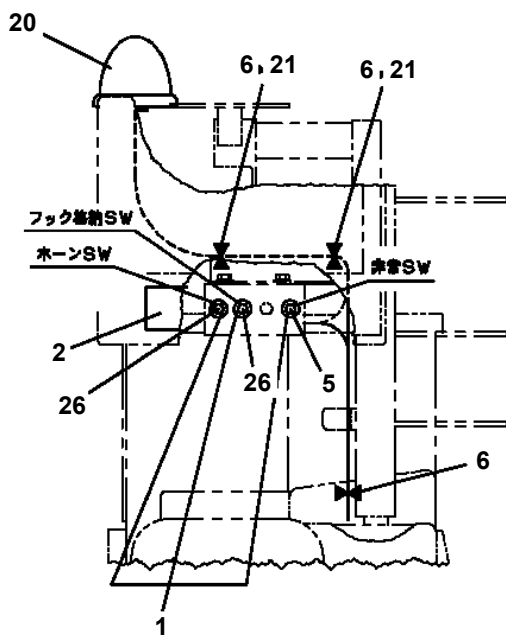


ZR290軌陸車用旋回制御機能付

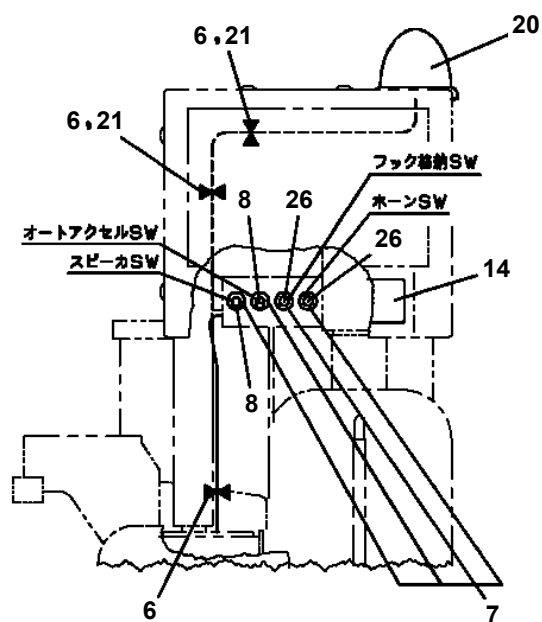
## TM-ZR260 41108210670A FRAME/SL,REMOTE-RADIO CONT.,S-HOOK-IN

Pos No.	Parts No	Parts Name	Qty	Unit	Technical Data	Serial No (Start)	Serial No (End)	Remark
1	91850310305	CLAMP	8					
2	91810130240	FASTENER	14					
3	31501812100	HARNESS	1		L=3000			
4	31473460300	HARNESS (RED)	1		L=1600			
5	32200156090	SUPPORT	5					
6	36161890000	REEL ASSY,CORD	1					
7	31650690200	PLATE	2		T=9			
8	90186206010	BOLT,FLANGE	5		M6X10			
9	82165904030	LAMP	1		24V 45W			
10	90280201000	NUT,FLANGE	1		M10			
11	90813108020	BOLT,WING	1		M8X20			
12	90309331205	WASHER,CONICAL SPRING	2		L12			
13	90303071201	WASHER,PLAIN	1		12			
14	90236201200	NUT,CASTLE	1		2H M12			
15	80136325025	PIN,SPLIT	1		2.5X25			
16	31650690500	LEVER	1					
17	31650690400	SUPPORT	1					
18	90280200600	NUT,FLANGE	1		M6			
19	31477322100	SUPPORT	1					
20	82100000191	TERMINAL	1					
21	82100000183	INSULATOR	1					
31	82100002850	LENS	1					
32	82166025550	BULB,LAMP	1		24V 45W			

TM-ZR260 41108210670A FRAME/SL,REMOTE-RADIO CONT.,S-HOOK-IN  
 PN1012496-02 ELEC.ASSY (RADIO CONTROL/HOOK-IN)



E

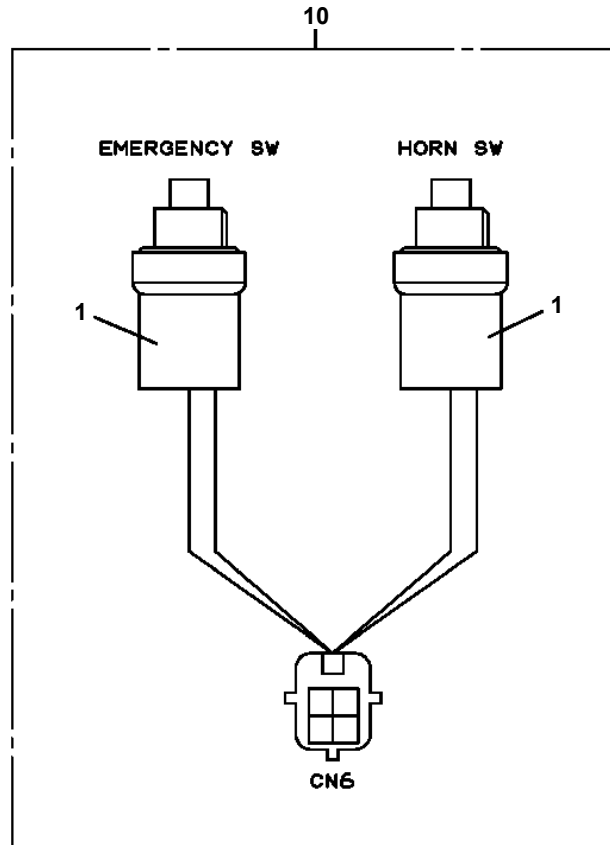


F

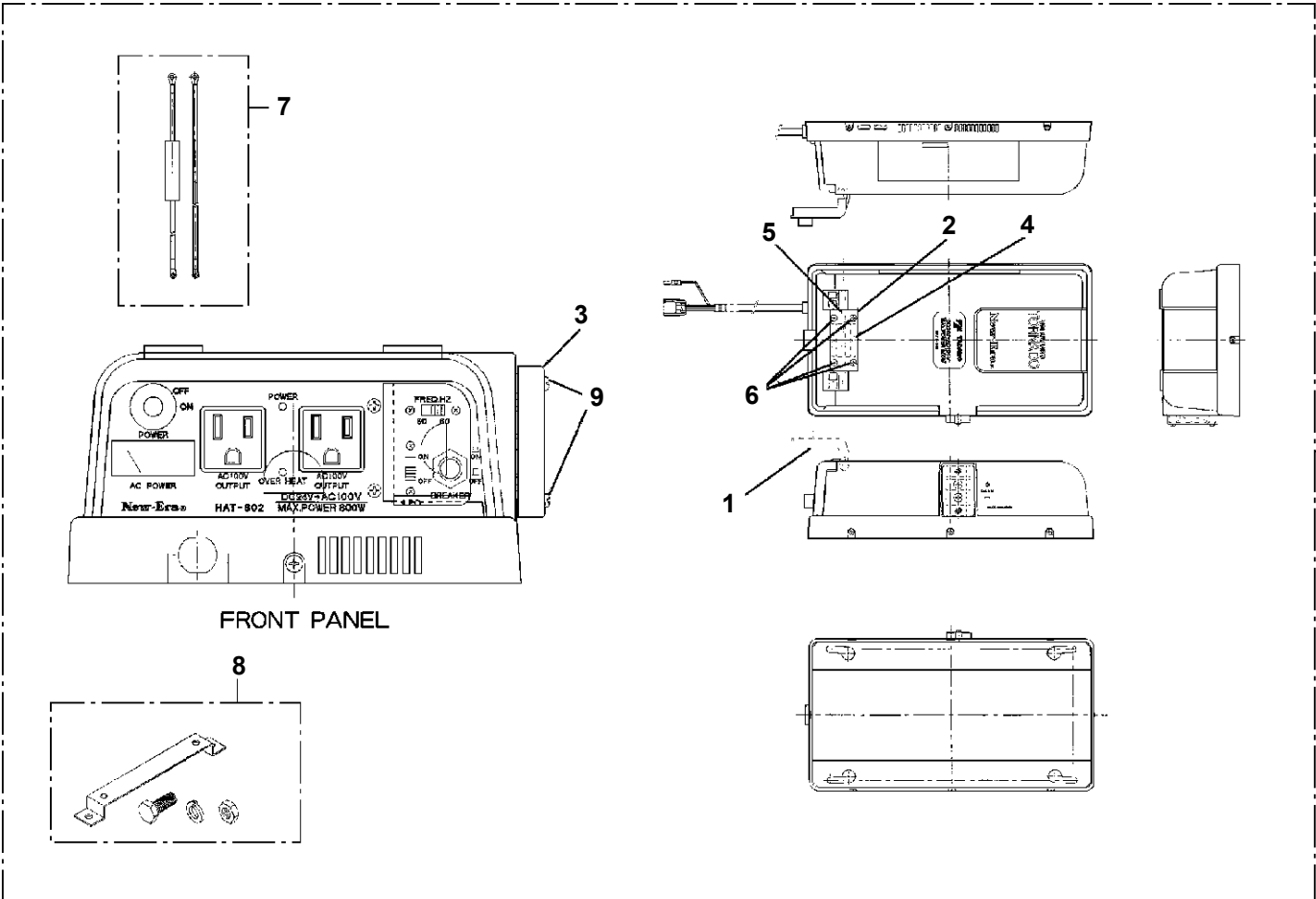
# TM-ZR260 41108210670A FRAME/SL,REMOTE-RADIO CONT.,S-HOOK-IN

Pos No.	Parts No	Parts Name	Qty	Unit	Technical Data	Serial No (Start)	Serial No (End)
1	91850100802	CLAMP	2				
2	91810130240	FASTENER	18				
3	31360741200	HARNESS	1				
4	31360191200	SUPPORT	1				
5	90203201200	NUT	1		M12		
6	36140470000	DETECTOR,BOOM ANGLE	1				
7	90186206010	BOLT,FLANGE	24		M6X10		
8	31360741300	LAMP ASSY	2				
9	82100002015	CLAMP	2		WRC20		
10	91850310305	CLAMP	5				
11	31360191010	COVER (CORRUGATE TUBE)	1		L=1500		
12	90303070601	WASHER,PLAIN	4		6		
13	82100002596	RELAY	1				
14	90101205010	BOLT	4		M5X10		
15	90302040501	WASHER,SPRING	4		5		
16	31361112100	COVER ASSY	1				
17	31361471100	HARNESS	1				
18	31360741600	SUPPORT	2				
19	31360741700	SUPPORT	1				
20	31653303200	SWITCH ASSY (NIHON AUTOMATIC)	1				
21	82197600101	CAP (BLACK)	1				
22	31652030200	BUZZER ASSY	1				
31	82199444326	LAMP (YELLOW) <24V 12W)	2				
32	31360741310	SUPPORT	2				
41	31361112110	COVER	1				
42	31361112120	PLATE	1				
43	31361112130	SEAL	1				
56	82166136411	BULB,LAMP	2		24V/12W		

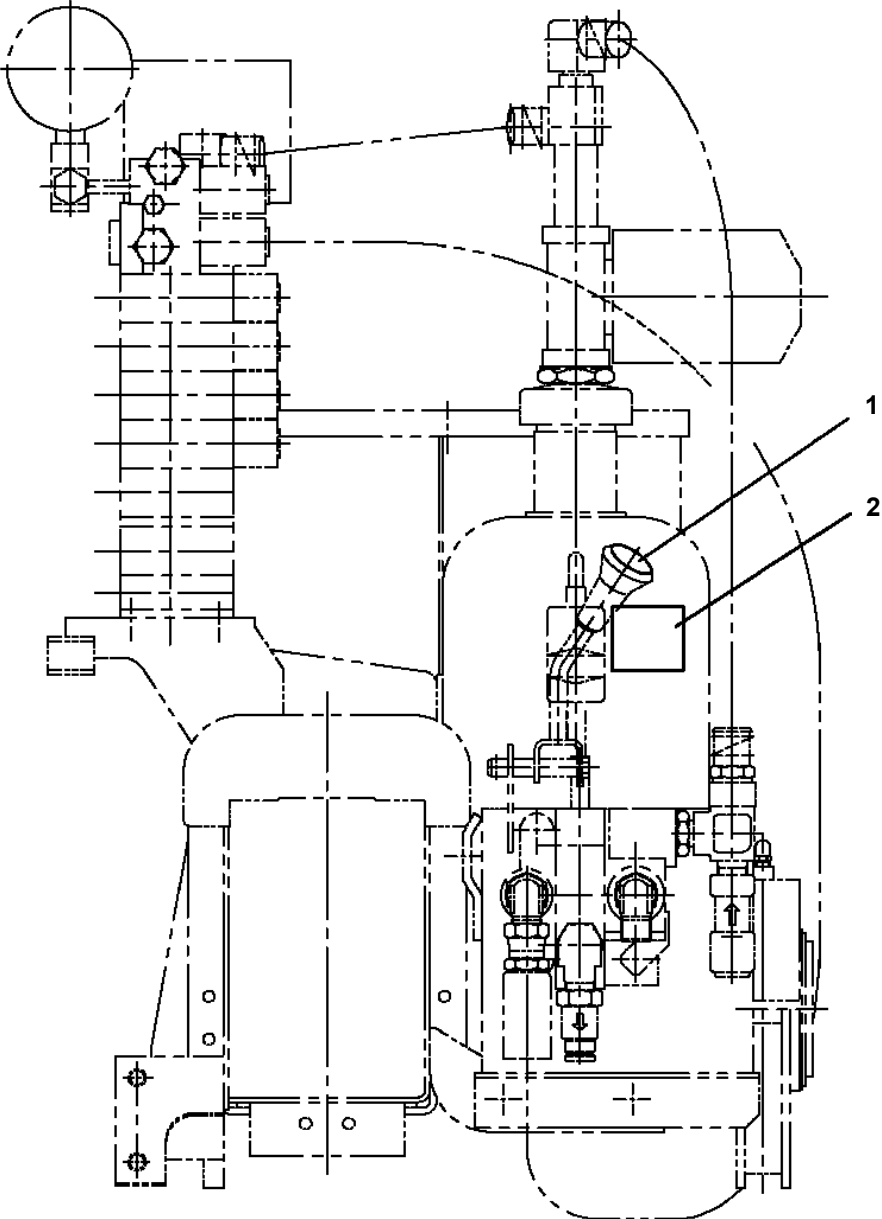
**TM-ZR260 41108210670A FRAME/SL,REMOTE-RADIO CONT.,S-HOOK-IN  
PN1140222-01 SWITCH ASSY (PLATING:NACC)**



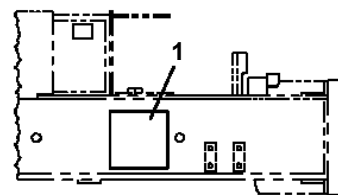
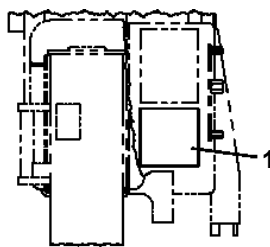
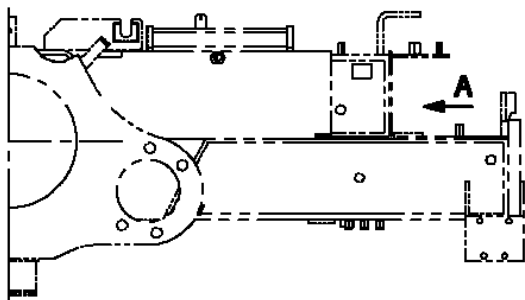
**TM-ZR260 41108210670A FRAME/SL,REMOTE-RADIO CONT.,S-HOOK-IN  
PN1190005-00 CONVERTER**



TM-ZR260 41108210670A FRAME/SL,REMOTE-RADIO CONT.,S-HOOK-IN  
PO1012212-00 PLATE ASSY,NAME (POWER SUPPLY)

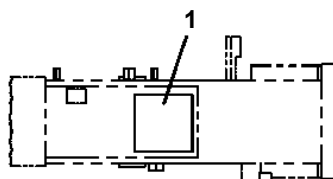


TM-ZR260 41108210670A FRAME/SL,REMOTE-RADIO CONT.,S-HOOK-IN  
 PO1013038-01 PLATE ASSY,NAME (AC100V300W LAMP)

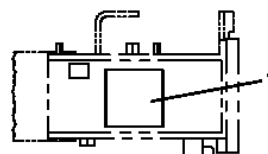


ZR360SL

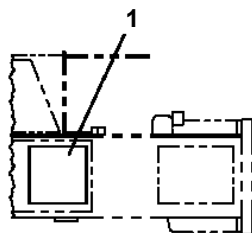
ZR360STD



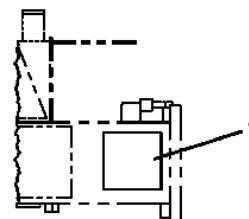
ZR300STD



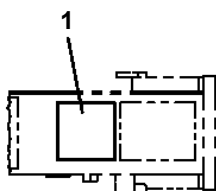
ZR300SL



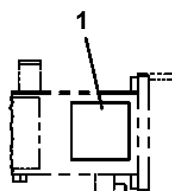
Z 290 STD  
300 x 300



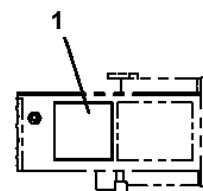
ZR290SL



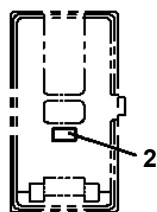
ZR260STD



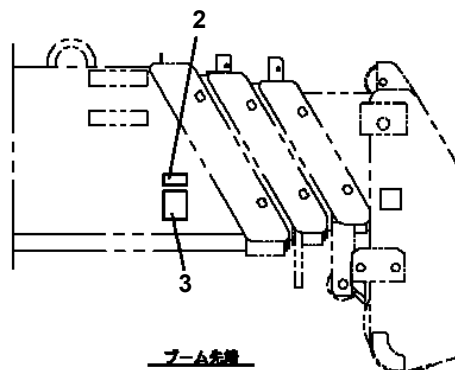
ZR260SL



ZR230

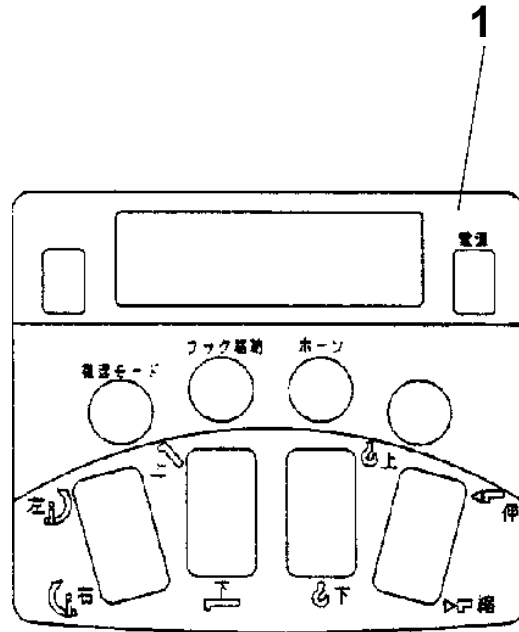


コンバータ

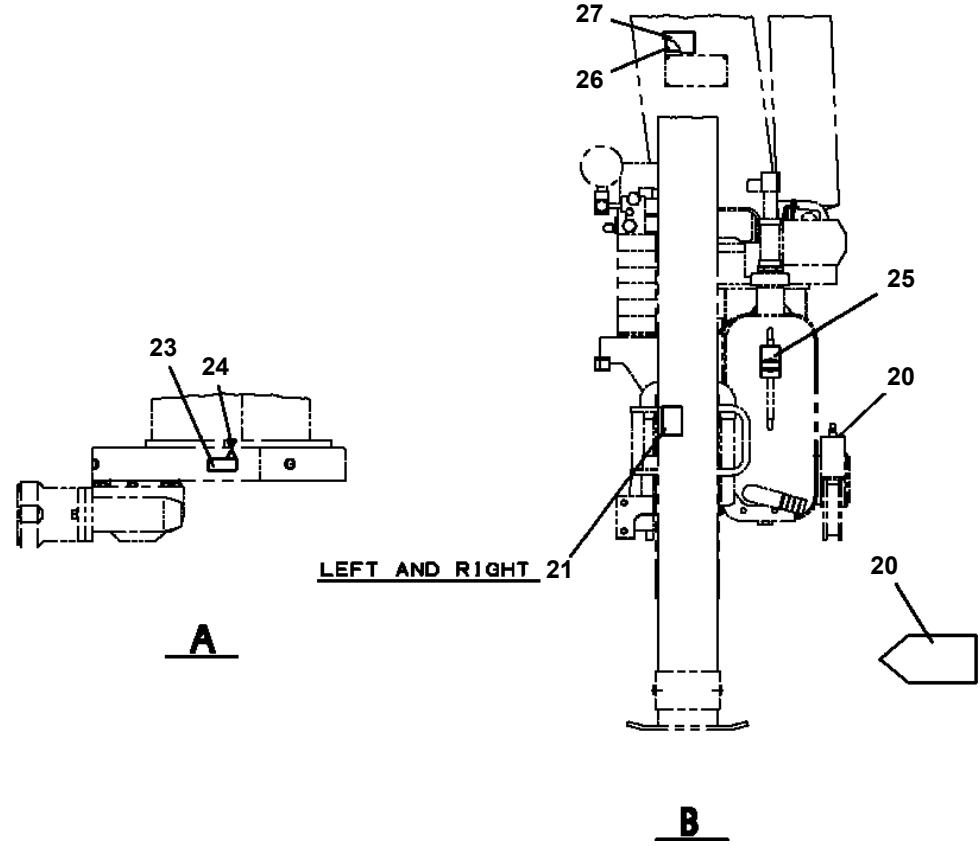
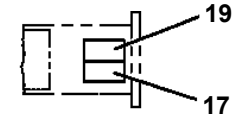
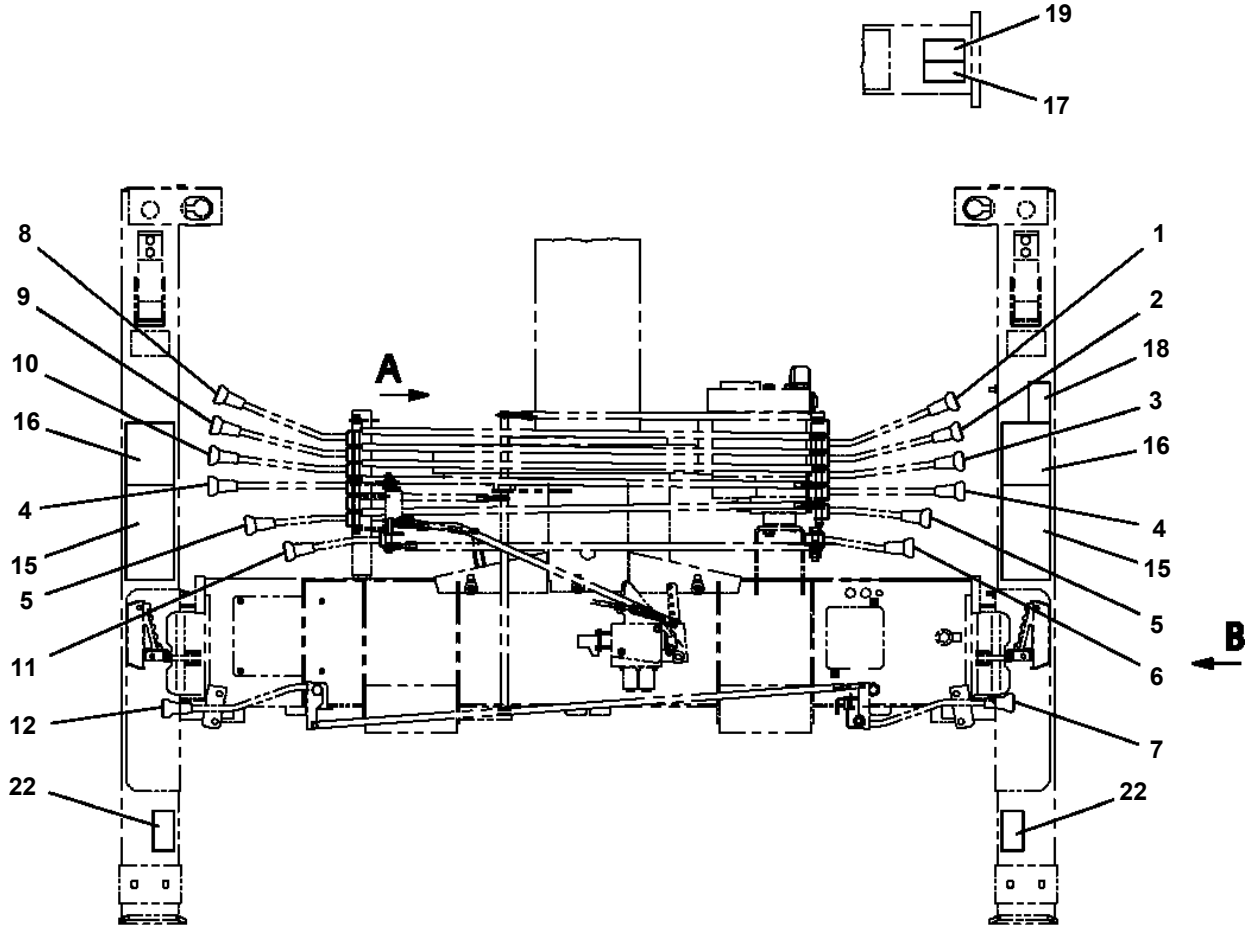


フレーム

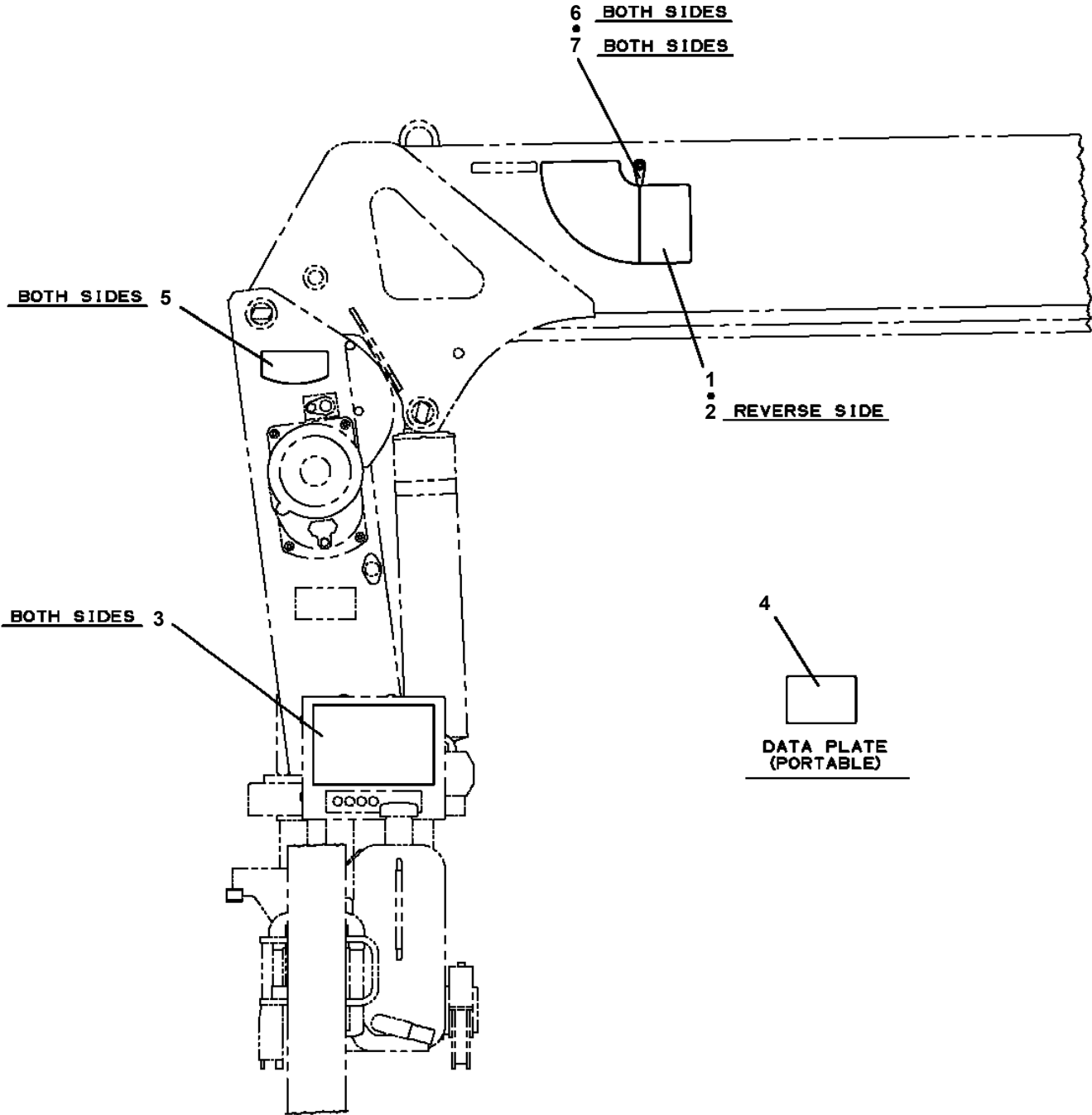
TM-ZR260 41108210670A FRAME/SL,REMOTE-RADIO CONT.,S-HOOK-IN  
PO1013094-01 PLATE ASSY,NAME



TM-ZR260 41108210670A FRAME/SL,REMOTE-RADIO CONT.,S-HOOK-IN  
PO1013972-00 PLATE ASSY,NAME (FRAME)



**TM-ZR260 41108210670A FRAME/SL,REMOTE-RADIO CONT.,S-HOOK-IN  
PO1070178-00 PERFORMANCE DATA (ZR265SL/B)**



TM-ZR260 41108210670A FRAME/SL,REMOTE-RADIO CONT.,S-HOOK-IN  
PV1010017-01 REMOTE CONTROL

指示番号 KEY NO.	リモート コントロール REMOTE CONTROL
2	ハイセンASSY (リモート コントロール) ELEC.ASSY (REMOTE CONTROL)
3	ハイセンASSY (BMLコ <sup>ホ</sup> ハンテイタイサク) ELEC.ASSY (BML)
4	プ <sup>レ</sup> ート,ネーム PLATE,NAME
11	コントロール ユニット CONTROL UNIT
12	スイッチ ホ <sup>ッ</sup> クス SWITCH BOX

# TM-ZR260 41108210670A FRAME/SL,REMOTE-RADIO CONT.,S-HOOK-IN

Pos No.	Parts No	Parts Name	Qty	Unit	Technical Data	Serial No (Start)	Serial No
81	36640625210	CAP	2				
82	36640625240	FILTER	1				
83	91001001800	O-RING	1		S18		
84	91001002600	O-RING	2		S26		
85	36647395150	PLUG	1		M24		
86	36646875130	ORIFICE	1		M3		
87	91001101600	O-RING	1		1A P16		
88	36646265090	SPRING (B)	1				
89	36646265080	SPRING (A)	1				
90	36645615210	PLUG	1		24		
91	91001100600	O-RING	28		1A P6		
92	91002905500	O-RING	6		1B G55		
103	36648375030	BALL,STEEL	11		5/32		
105	36640625310	BUSH	5				
107	91001000800	O-RING	5		S8		
108	36646865190	PISTON	5				
109	91001102000	O-RING	5		1A P20		
110	36648365110	FLANGE	5				
111	91001002240	O-RING	5		S22.4		
112	91650001400	SCRAPER	5				
113	36645495210	SEAT,SPRING (RETURN)	12				
114	36648365120	SPOOL (SUB)	5				
115	36645845060	SPRING (RETURN)	5				
116	36644015260	ADAPTER	4				
117	36648365130	SPACER	5				
118	36645405090	PLATE (D)	4				
119	36645615250	C-BOLT	10		M5X25		
120	36633365100	SEAL,OIL	7				
121	36633365060	PLATE (B)	4				
122	36645615260	C-BOLT	8		M5X8		
123	12635101360	SPOOL	5				
124	36635735150	SPRING (CHECK VALVE)	2				
125	36633365090	CAP (CHECK VALVE)	5				
127	91001002200	O-RING	10		S22		
129	80172104010	SCREW,MACHINE	26		M4X10		
130	36644015220	SHIM (T=0.2)	8				
131	36644015230	SHIM (T=0.3)	8				
132	36645405110	SHIM (T=1.0)	4				
133	36648365140	LVDT ASSY (1)	4				
134	36645405100	BOLT	8		M4X22		
137	36648365150	VALVE,SOLENOID (KIT)	10				
156	36645495220	ADAPTER	1				
158	36648385080	BRACKET	1				
161	36645845050	LINK	3				
162	36645615230	C-BOLT	6		5X12		
164	12635101190	SPRING	3				
173	36637475090	CAP	1				
174	36633365050	SPRING (RETURN)	1				
177	36633365070	ADAPTER	1				
184	36645405030	O-RING	2				
185	36647175030	COVER	1				
187	91002800700	O-RING	2		1B P7		
189	12635101140	SPRING	1				
190	12635101130	SCREW (ADJUSTING)	2				
191	11629431040	PACKING	4				
192	36646575090	NUT	2				
193	36630195030	NUT,CAP	2				
194	16623320390	TUBE (SEAL)	2				
195	91001102200	O-RING	1		1A P22		
198	12635101110	SPRING (RETURN)	1				
199	91002802100	O-RING	1		1B P21		
200	36635735130	SPRING (A)	1				
201	36635735140	SPRING (B)	1				

**TM-ZR260 41108210670A FRAME/SL,REMOTE-RADIO CONT.,S-HOOK-IN**

Pos No.	Parts No	Parts Name	Qty	Unit	Technical Data	Serial No (Start)	Serial No (End)	Re
7	36802865030	PLATE,NAME	1					
8	36802865050	PLATE,NAME	1					
21	36802865040	CASE (BATTERY)	1					
22	36802865060	BATTERY (4 PIECES)	1					
31	36802865070	STRAP	1					
41	36802865080	RUBBER (FOR SWITCH)	1					
50	36802863000	SWITCH BOX(RADIO CONTROL)	1					

**TM-ZR260 41108210670A FRAME/SL,REMOTE-RADIO CONT.,S-HOOK-IN**

Pos No.	Parts No	Parts Name	Qty	Unit	Technical Data	Serial No (Start)	Serial No (End)
1	36803575011	BOARD ASSY	1				
2	36802975171	CASING	1				
3	36802975031	COVER	2				
4	36802975041	PANEL	1				
5	36802975051	SCREEN	1				
6	36802975061	GASKET	1				
7	36802975071	GASKET	1				
8	36802975081	GASKET	1				
9	36802975091	PLATE (RADIATOR)	1				
10	36802975101	CONNECTOR ASSY (WITH HARNESS)	1				
11	36802975111	CONNECTOR ASSY (WITH HARNESS)	1				
12	36800175031	CAP	1				
13	36802975121	DRIER,AIR	1				
18	36802975181	CONNECTOR ASSY	2				
19	36802975191	PLUG	2				
20	36802985011	RECEIVER (DATA)	1				
21	36802975161	BRACKET	1				
31	36802975201	FUSE	1				
100	36803572001	CONTROL UNIT	1				

**TM-ZR260 41108210670A FRAME/SL,REMOTE-RADIO CONT.,S-HOOK-IN**

Pos No.	Parts No	Parts Name	Qty	Unit	Technical Data	Serial No (Start)	Serial No
3	36803650100	PLATE ASSY.NAME (RADIO CONTROL)	1				
5	(*****)	ELEC.ASSY (BML)	1				
11	36803572001	CONTROL UNIT	1				
	36803572000	CONTROL BOX (RADIO CONTROL D-TYPE)	1				
12	36801992000	SWITCH BOX (RADIO CONTROL,TYPE-D)	1				
	36801992001	SWITCH BOX (FUTABA)	1				

# TM-ZR260 41108210670A FRAME/SL,REMOTE-RADIO CONT.,S-HOOK-IN

Pos No.	Parts No	Parts Name	Qty	Unit	Technical Data	Serial No (Start)	Serial
1	(*****)	RADIO CONTROL	1				
2	(*****)	OPE.ASSY,CONT.VALVE (RADIO CONTROL)	1				
3	(*****)	ELEC.ASSY (RADIO CONTROL/HOOK-IN)	1				
4	(*****)	ANTENNA (RADIO CONTROL/SELECTION DATA)	1				
5	(*****)	PIPING,LOWER (REMOTE CONT.VALVE/SANWA)	1				
6	(*****)	PIPING,LOWER (RADICON./REPLACE FILTER)	1				

# TM-ZR260 41108210670A FRAME/SL,REMOTE-RADIO CONT.,S-HOOK-IN

Pos No.	Parts No	Parts Name	Qty	Unit	Technical Data	Serial No (Start)	Serial No (End)	Remarks	Pages
1	31653110200	CABLE ASSY	1		L=2000				

**TM-ZR260 41108210670A FRAME/SL,REMOTE-RADIO CONT.,S-HOOK-IN**

Pos No.	Parts No	Parts Name	Qty	Unit	Technical Data	Serial No (Start)	Serial No
1	36801465010	ELEMENT,ANTENNA (FLEXIBLE,TYPE D,E)	2				
2	36802105021	CABLE ASSY	1		8M		
3	36800615010	ARM (28X300)	1				
7	36800145020	WASHER	1				
8	36800145030	NUT	1				
10	36802100000	ANTENNA	1				

# TM-ZR260 41108210670A FRAME/SL,REMOTE-RADIO CONT.,S-HOOK-IN

Pos No.	Parts No	Parts Name	Qty	Unit	Technical Data	Serial No (Start)	Serial No (End)	F
1	31651781000	SUPPORT	2					
2	31651782000	ANTENNA (SET)	1					
3	91810130240	FASTENER	10					
4	82100002034	CLAMP	10		WEC6			
5	90191208020	BOLT	5		M8X20			
6	90264200800	NUT	5		M8			
7	90302040801	WASHER,SPRING	5		8			
8	82401600506	CLAMP	5		D6.5			
9	82401600510	CLAMP	5		10			
21	36800610000	ANTENNA (FOR RADIO CONTROL)	1					
22	36800620000	ANTENNA (FOR RADIO CONTROL)	1					

# TM-ZR260 41108210670A FRAME/SL,REMOTE-RADIO CONT.,S-HOOK-IN

Pos No.	Parts No	Parts Name	Qty	Unit	Technical Data	Serial No (Start)	Serial No (End)	F
1	31651781000	SUPPORT	2					
2	31652962000	ANTENNA (SET)	1					
3	91810130240	FASTENER	10					
4	82100002034	CLAMP	10		WEC6			
5	90191208020	BOLT	5		M8X20			
6	90264200800	NUT	5		M8			
7	90302040801	WASHER,SPRING	6		8			
8	82401600506	CLAMP	8		D6.5			
9	82401600510	CLAMP	7		10			
10	31930390100	SUPPORT	1					
11	31930390200	PLATE	1					
12	31930390300	SUPPORT	1					
13	90209200800	NUT	2		M8			
14	90101208020	BOLT	1		M8X20			
15	90201200800	NUT	1		M8			
16	90303070801	WASHER,PLAIN	1		8			
31	36801460000	ANTENNA (FOR RADIO CONTROL)	1					
32	36802100000	ANTENNA	1					

# TM-ZR260 41108210670A FRAME/SL,REMOTE-RADIO CONT.,S-HOOK-IN

Pos No.	Parts No	Parts Name	Qty	Unit	Technical Data	Serial No (Start)	Serial No (End)	Remarks	Pages
1	31651781000	SUPPORT	2						
2	31652972000	ANTENNA (SET)	1						
3	91810130240	FASTENER	10						
4	82100002034	CLAMP	10		WEC6				
5	90191208020	BOLT	5		M8X20				
6	90264200800	NUT	5		M8				
7	90302040801	WASHER,SPRING	5		8				
8	82401600506	CLAMP	8		D6.5				
9	82401600510	CLAMP	7		10				
10	31652960100	SPACER	4						
21	36802100000	ANTENNA	2						000247

# TM-ZR260 41108210670A FRAME/SL,REMOTE-RADIO CONT.,S-HOOK-IN

Pos No.	Parts No	Parts Name	Qty	Unit	Technical Data	Serial No (Start)	Serial No (End)	F
1	31930180100	SUPPORT	1					
2	80142838032	SCREW,WOOD	2					
3	31651792000	ANTENNA (SET)	1					
4	82401600506	CLAMP	10		D6.5			
5	91810130240	FASTENER	4					
6	82401600510	CLAMP	8		10			
7	82100002006	CLAMP	1		WR10			
8	90918160160	SCREW,TAPPING	1					
9	90918135160	SCREW,TAPPING	8					
10	31930460100	SUPPORT	2					
11	90101208020	BOLT	4		M8X20			
12	90201200800	NUT	4		M8			
13	90302040801	WASHER,SPRING	4		8			
21	36800620000	ANTENNA (FOR RADIO CONTROL)	2					

# TM-ZR260 41108210670A FRAME/SL,REMOTE-RADIO CONT.,S-HOOK-IN

Pos No.	Parts No	Parts Name	Qty	Unit	Technical Data	Serial No (Start)	Serial No (End)	F
1	31931381000	ANTENNA (SET)	1					
2	31931382000	SUPPORT ASSY	1					
3	82401600510	CLAMP	6		10			
4	90101208020	BOLT	4		M8X20			
5	90201200800	NUT	4		M8			
6	90302040801	WASHER,SPRING	4		8			
7	82100002002	CLAMP	16		WR6			
8	82100002033	CLAMP	3					
9	90201200600	NUT	19		M6			
10	90302040601	WASHER,SPRING	19		6			
11	90303070601	WASHER,PLAIN	19		6			
12	31931380100	SUPPORT	2					
13	91810130240	FASTENER	2					
21	36802750000	ANTENNA (FOR RADIO CONTROL)	2					

# TM-ZR260 41108210670A FRAME/SL,REMOTE-RADIO CONT.,S-HOOK-IN

Pos No.	Parts No	Parts Name	Qty	Unit	Technical Data	Serial No (Start)	Serial No (End)	Remarks	Pages
1	31932410100	SUPPORT	1						
2	31932410200	SUPPORT	1						
3	31652972000	ANTENNA (SET)	1						
4	91810130240	FASTENER	10						
5	82100002034	CLAMP	10		WEC6				
6	90191208020	BOLT	7		M8X20				
7	90264200800	NUT	7		M8				
8	90302040801	WASHER,SPRING	11		8				
9	82401600506	CLAMP	5		D6.5				
10	82401600510	CLAMP	5		10				
11	90303070801	WASHER,PLAIN	4		8				
12	31930530300	PACKING	4						
21	36802100000	ANTENNA	2						000247

**TM-ZR260 41108210670A FRAME/SL,REMOTE-RADIO CONT.,S-HOOK-IN**

Pos No.	Parts No	Parts Name	Qty	Unit	Technical Data	Serial No (Start)	Serial No (End)	Remarks	Pages
1	90190000008	BOLT,STUD	2		M6X20				
2	31360202500	SUPPORT	2						
3	31360742500	SUPPORT	1						
4	31360192900	SUPPORT	1		L=55				
5	37001601290	NUT	1		M12				
6	31360742700	NUT	1		M12				
7	31360003020	SUPPORT	1		L=63				
8	37001601010	NUT	3						
9	90288106030	NUT	3		M6X30				

**TM-ZR260 41108210670A FRAME/SL,REMOTE-RADIO CONT.,S-HOOK-IN**

Pos No.	Parts No	Parts Name	Qty	Unit	Technical Data	Serial No (Start)	Serial No (End)	Remarks	Pages
1	82108501070	SWITCH	1						
2	31477332101	SUPPORT	1						
3	90186208014	BOLT,FLANGE	2		M8X14				
4	91850310305	CLAMP	2						
5	91810130240	FASTENER	11						
6	31652160100	HARNESS	1		L=1400				
7	82100000192	TERMINAL	1						
8	82100000182	INSULATOR	1						
9	31476361200	HARNESS (WHITE)	1		L=2000				

CLICK HERE TO **DOWNLOAD** THE COMPLETE MANUAL

- Thank you very much for reading the preview of the manual.
- You can download the complete manual from: [www.heydownloads.com](http://www.heydownloads.com) by clicking the link below



- Please note: If there is no response to CLICKING the link, please download this PDF first and then click on it.

CLICK HERE TO **DOWNLOAD** THE COMPLETE MANUAL