

TM-ZR260 41108210450A FRAME/STD,MANUAL,HOOK-IN
PB0000191-01 SYSTEM (ZR260,DOMESTIC)
ASSEMBLY

CLICK HERE TO **DOWNLOAD** THE COMPLETE MANUAL

- Thank you very much for reading the preview of the manual.
- You can download the complete manual from: www.heydownloads.com by clicking the link below



- Please note: If there is no response to CLICKING the link, please download this PDF first and then click on it.

CLICK HERE TO **DOWNLOAD** THE COMPLETE MANUAL

TM-ZR260 41108210450A FRAME/STD,MANUAL,HOOK-IN

Pos No.	Parts No	Parts Name	Qty	Unit	Technical Data	Serial No (Start)	Serial No (End)	Remarks	Pages
1	36653030000	PUMP,HYDRAULIC	1						00005

TM-ZR260 41108210450A FRAME/STD,MANUAL,HOOK-IN

Pos No.	Parts No	Parts Name	Qty	Unit	Technical Data	Serial No (Start)	Serial No (End)	Remarks	Pages
1	36400835010	CASE	1						
2	36400835020	GEAR	1						
3	36400835030	SHAFT	1						
4	36400835040	GEAR	1						
5	36400095040	SHAFT	1						
6	36400095050	COLLAR	1						
7	36400095100	SHIFTER ASSY	1						
8	36400095110	PACKING	1						
9	36400095070	COVER (BEARING)	1						
10	36400095080	PACKING (COVER)	1						
11	36400095090	SHIM	1						
12	80500006305	BEARING,BALL	2						
13	36400095120	BEARING	2						
14	91206025005	SEAL,OIL	1						
15	36400095130	WASHER	1						
16	90101206012	BOLT	1		M6X12				
17	80602110520	RING,RITAINING	2		R52				
18	90191208014	BOLT	3		M8X14				
19	90191208020	BOLT	4		M8X20				
20	90302040801	WASHER,SPRING	7		8				
23	36400835070	SPACER	1						
24	36400835080	PACKING (CASE)	2						
25	36400835090	BOLT	2		M10X40X1.25				
26	90193210025	BOLT	4		M10X25				
27	90267201000	NUT	2		M10				
28	90302041001	WASHER,SPRING	6		10				
29	31790680100	SUPPORT	1						
30	90191208025	BOLT	2		M8X25				
50	36400830000	POWER TAKE OFF	1						
100	31790760000	POWER TAKE OFF	1						

TM-ZR260 41108210450A FRAME/STD,MANUAL,HOOK-IN

Pos No.	Parts No	Parts Name	Qty	Unit	Technical Data	Serial No (Start)	Serial No (End)	Remarks	Page
1	36401125160	CASE	1						
2	36401125170	GEAR	1						
3	36401125030	SHAFT (TO)	1						
4	36401125040	SLEEVE	1						
5	36401125050	SHIFTER SET	1						
6	36400095110	PACKING	1						
7	36400095070	COVER (BEARING)	1						
8	36400095080	PACKING (COVER)	1						
9	36400095090	SHIM	1						
10	36401125180	COLLAR	1						
11	80500006903	BEARING,BALL	1						
12	36401125080	BEARING,ROLLER	2						
13	36401125090	BEARING,NEEDLE	1						
14	91206030005	SEAL,OIL	1						
15	36401125100	RING,RETAINING	1						
16	90191208020	BOLT	4		M8X20				
17	90191208014	BOLT	3		M8X14				
18	90302040801	WASHER,SPRING	7		8				
20	36401125120	PACKING (CASE)	1						
21	90191210100	BOLT	1		M10X100				
22	90191210090	BOLT	1		M10X90				
23	90191210030	BOLT	2		M10X30				
24	36400095150	BOLT,STUD	1		M10X1.25/1.5X43				
25	36401125140	BOLT	1						
26	90267201000	NUT	2		M10				
27	90302041001	WASHER,SPRING	6		10				
28	31790880100	SUPPORT	1						
29	90191208025	BOLT	2		M8X25				
50	36401120001	POWER TAKE OFF	1						
100	31790880000	POWER TAKE OFF	1						

TM-ZR260 41108210450A FRAME/STD,MANUAL,HOOK-IN

Pos No.	Parts No	Parts Name	Qty	Unit	Technical Data	Serial No (Start)	Serial No (End)	Remarks	Pages
1	36401645010	CASE	1						
2	36401645020	GEAR	1						
3	36401645030	SHAFT	1						
4	36401645040	GEAR	1						
5	36400095040	SHAFT	1						
6	36400095100	SHIFTER ASSY	1						
7	36400095110	PACKING	1						
8	36400095070	COVER (BEARING)	1						
9	36400095080	PACKING (COVER)	1						
10	36400095090	SHIM	N						
11	36400095050	COLLAR	1						
12	80500006206	BEARING,BALL	2						
13	36400095120	BEARING	2						
14	91206030005	SEAL,OIL	1						
15	80602110520	RING,RITAINING	2		R52				
16	90710006160	SCREW,SET	1		M6X16				
17	90191208014	BOLT	3		M8X14				
18	90191208020	BOLT	2		M8X20				
19	90302040801	WASHER,SPRING	7		8				
20	36400055070	PACKING	1						
21	90193210025	BOLT	4		M10X25				
22	36400195030	BOLT,STUD	2						
23	90267201000	NUT	2		M10				
24	90302041001	WASHER,SPRING	6		10				
26	31791050100	SUPPORT	1						
27	90191208025	BOLT	2		M8X25				
50	36401640000	POWER TAKE OFF	1						
100	31791050000	POWER TAKE OFF	1						

TM-ZR260 41108210450A FRAME/STD,MANUAL,HOOK-IN

Pos No.	Parts No	Parts Name	Qty	Unit	Technical Data	Serial No (Start)	Serial No (End)	Remarks	Pages
1	36401745010	CASE	1						
2	36401745020	GEAR	1						
3	36401745030	SHAFT	1						
4	36400095040	SHAFT	1						
5	36400095050	COLLAR	1						
6	36401745040	GEAR	1						
7	36400095070	COVER (BEARING)	1						
8	36400095080	PACKING (COVER)	1						
9	36400095090	SHIM	N						
10	36401745050	SHIFTER ASSY	1						
11	36400095110	PACKING	1						
12	80500006206	BEARING,BALL	2						
13	91206030005	SEAL,OIL	1						
14	90191208014	BOLT	3		M8X14				
15	90101208020	BOLT	4		M8X20				
16	90101206012	BOLT	1		M6X12				
17	90302040801	WASHER,SPRING	7		8				
18	36400095130	WASHER	1						
19	36401745060	BEARING	2						
20	80602110470	RING,RITAINING	2		R47				
21	36401745070	SPACER	1						
22	36400055070	PACKING	2						
23	36401745080	BOLT,STUD	6						
24	90267201000	NUT	6		M10				
25	90302041001	WASHER,SPRING	8		10				
26	36401725070	SUPPORT (PUMP)	1						
27	36401725080	BOLT	2		M10X35				
30	31791100100	SUPPORT	1						
31	90191208025	BOLT	2		M8X25				
50	36401740000	POWER TAKE OFF	1						
100	31791120000	POWER TAKE OFF	1						

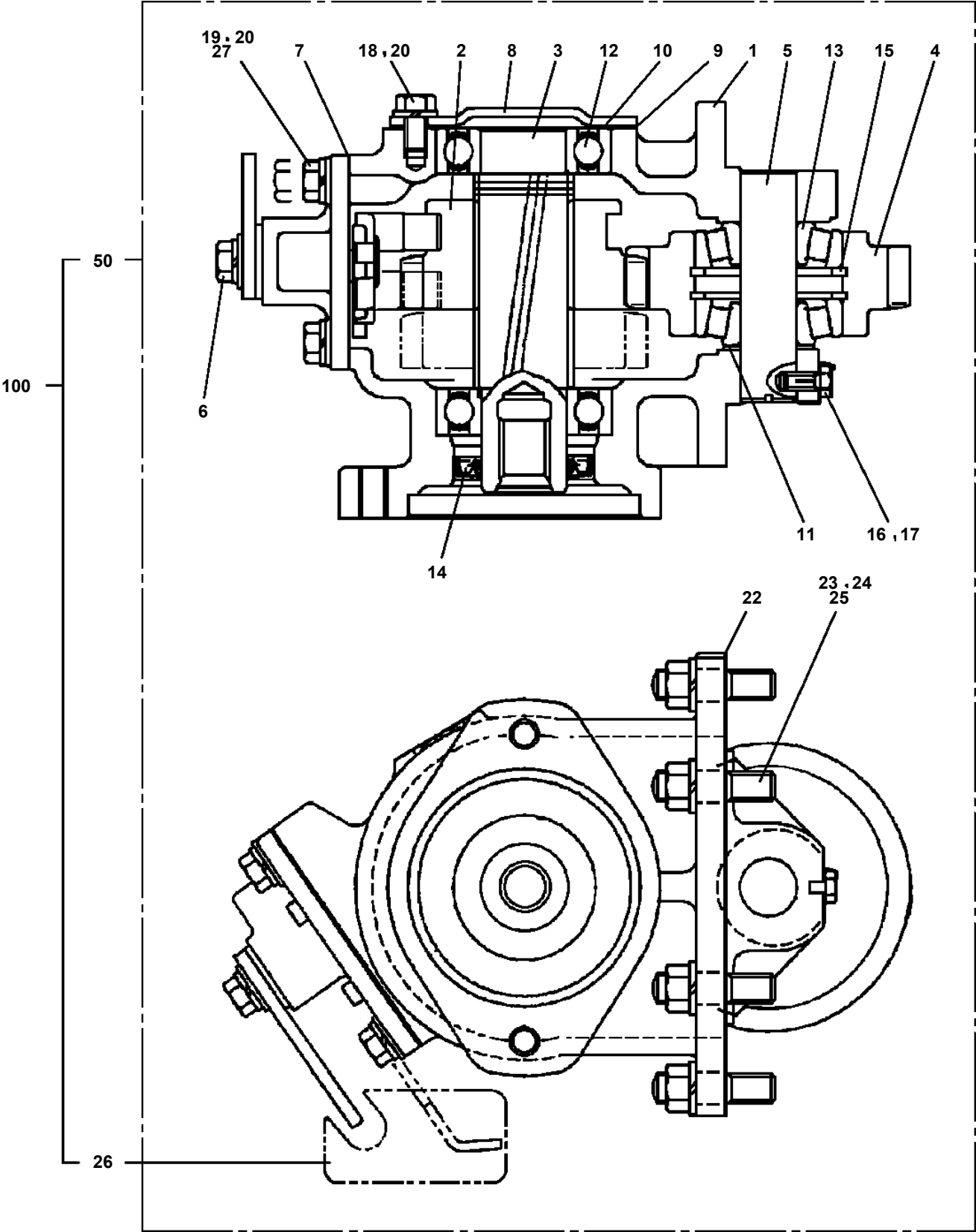
TM-ZR260 41108210450A FRAME/STD,MANUAL,HOOK-IN

Pos No.	Parts No	Parts Name	Qty	Unit	Technical Data	Serial No (Start)	Serial No (End)	Remarks	Page
1	36401885010	CASE	1						
2	36401885020	GEAR	1						
3	36400915030	SHAFT	1						
4	36401885030	GEAR	1						
5	36400415050	SHAFT	1						
6	36400675030	COLLAR	1						
7	36401725050	SHIFTER ASSY	1						
8	36400095110	PACKING	1						
9	36400095070	COVER (BEARING)	1						
10	36400095080	PACKING (COVER)	1						
11	36400095090	SHIM	N						
12	80500006206	BEARING,BALL	2						
13	91206030005	SEAL,OIL	1						
14	91001102100	O-RING	1		1A P21				
15	90710006200	SCREW,SET	1		M6X20				
16	90191208020	BOLT	4		M8X20				
17	90191208014	BOLT	3		M8X14				
18	90302040801	WASHER,SPRING	7		8				
19	36400135070	BEARING	2						
20	80602110620	RING,RITAINING	2		R62				
22	36401885050	PACKING	1						
23	36400095150	BOLT,STUD	2		M10X1.25/1.5X43				
24	90191210030	BOLT	6		M10X30				
25	90267201000	NUT	2		M10				
26	90302041001	WASHER,SPRING	8		10				
27	90191208025	BOLT	2		M8X25				
28	31790670100	SUPPORT	1						
50	36401880000	POWER TAKE OFF	1						
100	31792490000	POWER TAKE OFF	1						

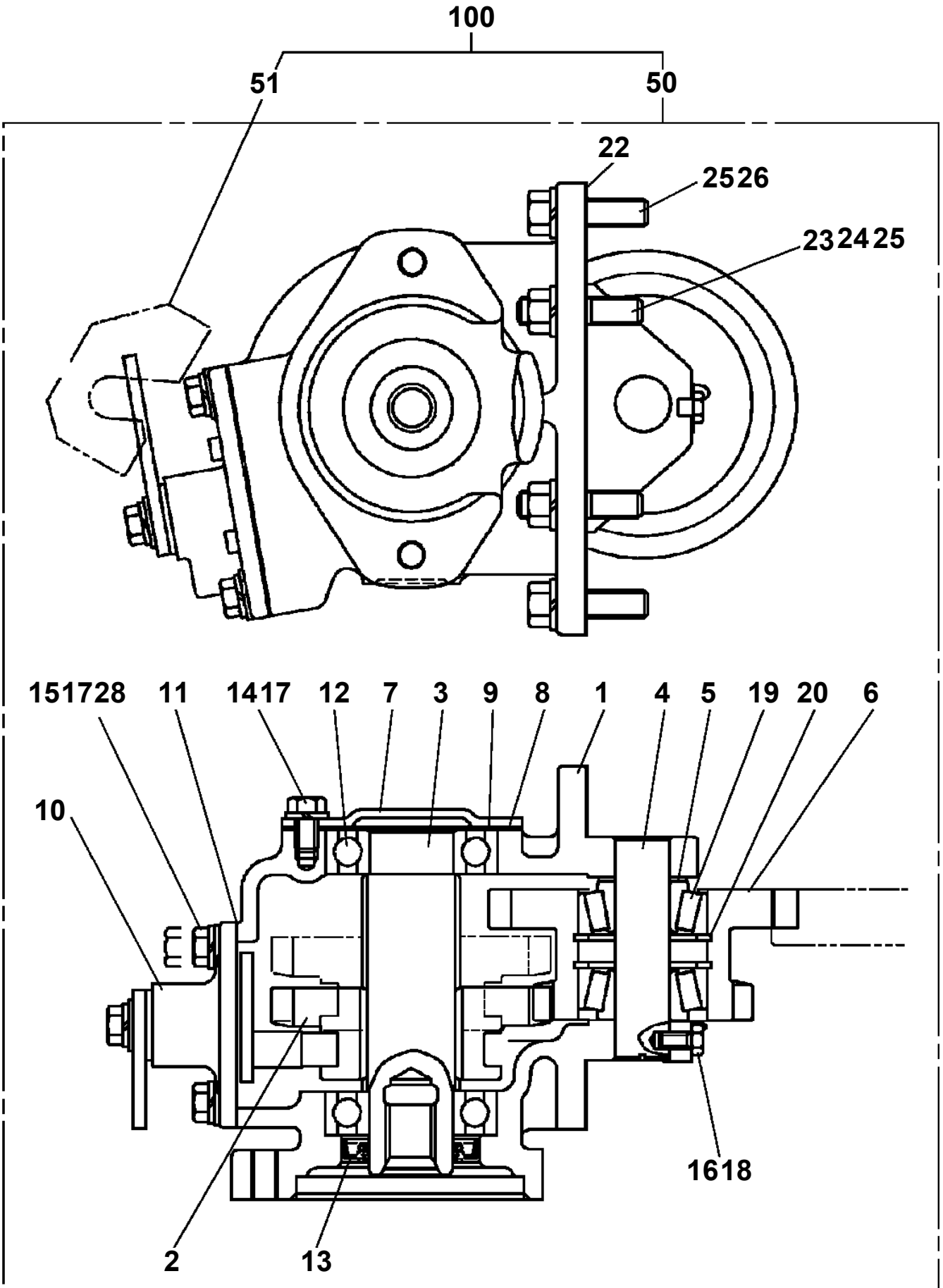
TM-ZR260 41108210450A FRAME/STD,MANUAL,HOOK-IN

Pos No.	Parts No	Parts Name	Qty	Unit	Technical Data	Serial No (Start)	Serial No (End)	Remarks	Pages
1	36401130001	POWER TAKE OFF	1						00001
2	31790880100	SUPPORT	1						
50	31790890000	POWER TAKE OFF	1						

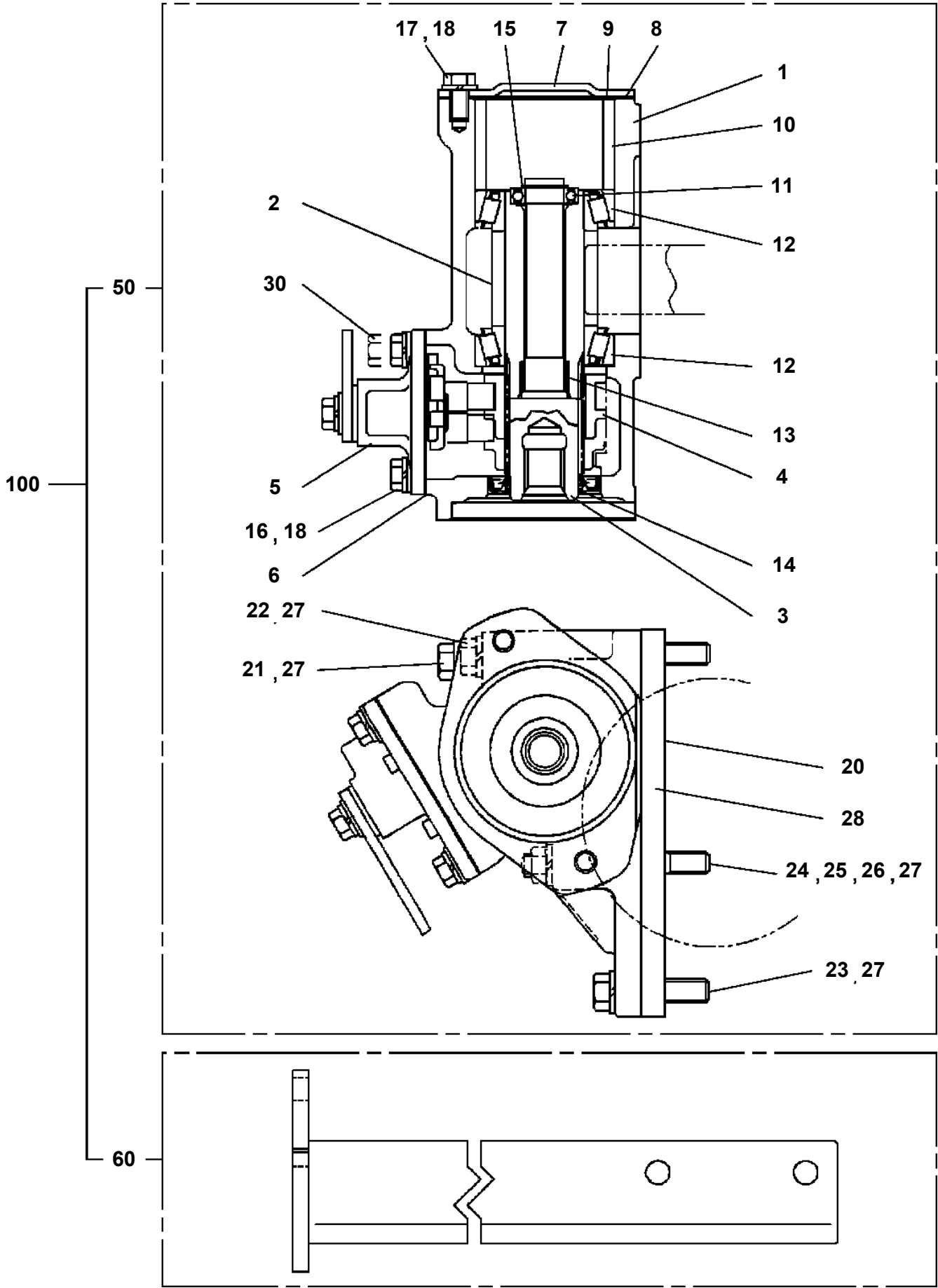
TM-ZR260 41108210450A FRAME/STD,MANUAL,HOOK-IN
PB1030211-01 POWER TAKE OFF



TM-ZR260 41108210450A FRAME/STD,MANUAL,HOOK-IN
PB1030223-00 POWER TAKE OFF

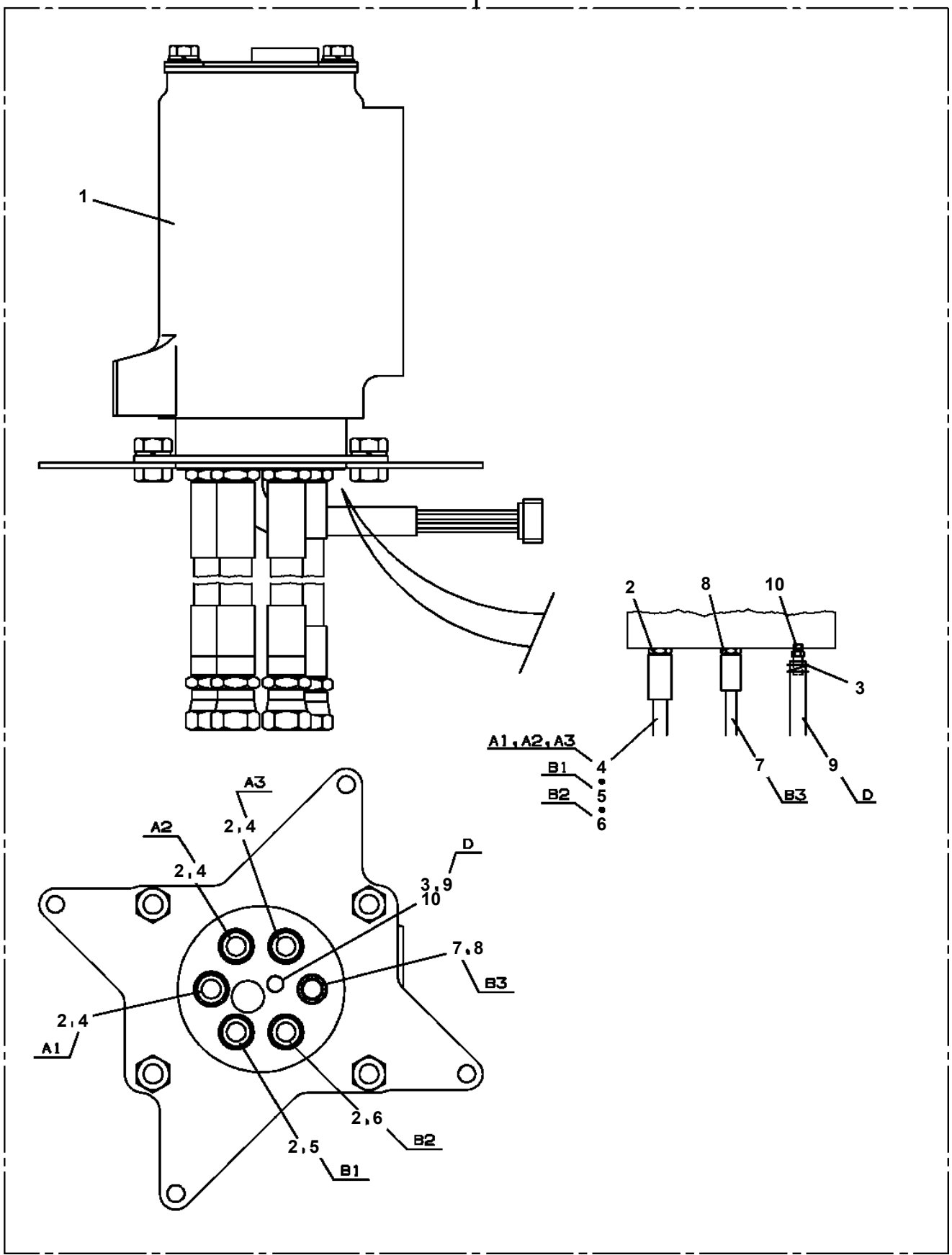


TM-ZR260 41108210450A FRAME/STD,MANUAL,HOOK-IN
PB1030229-00 POWER TAKE OFF



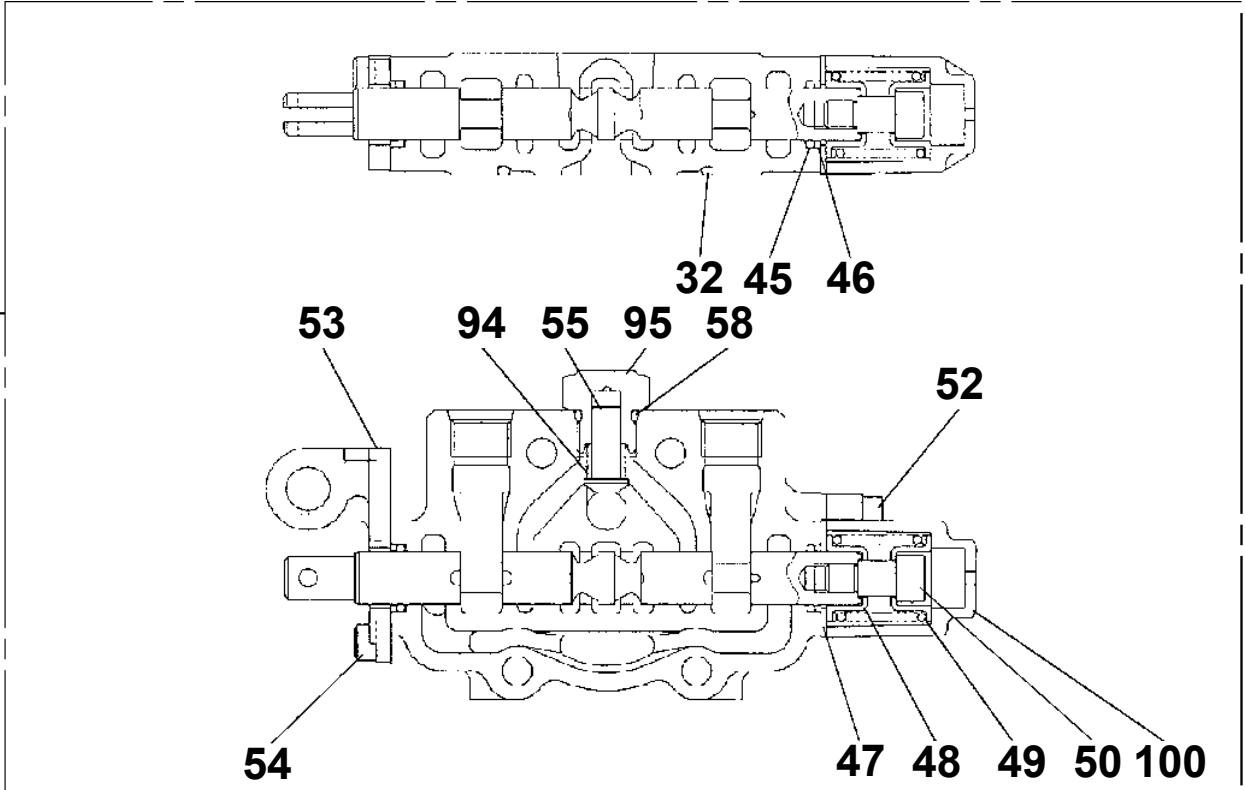
TM-ZR260 41108210450A FRAME/STD,MANUAL,HOOK-IN
PB1300413-01 JOINT,ROTARY

50

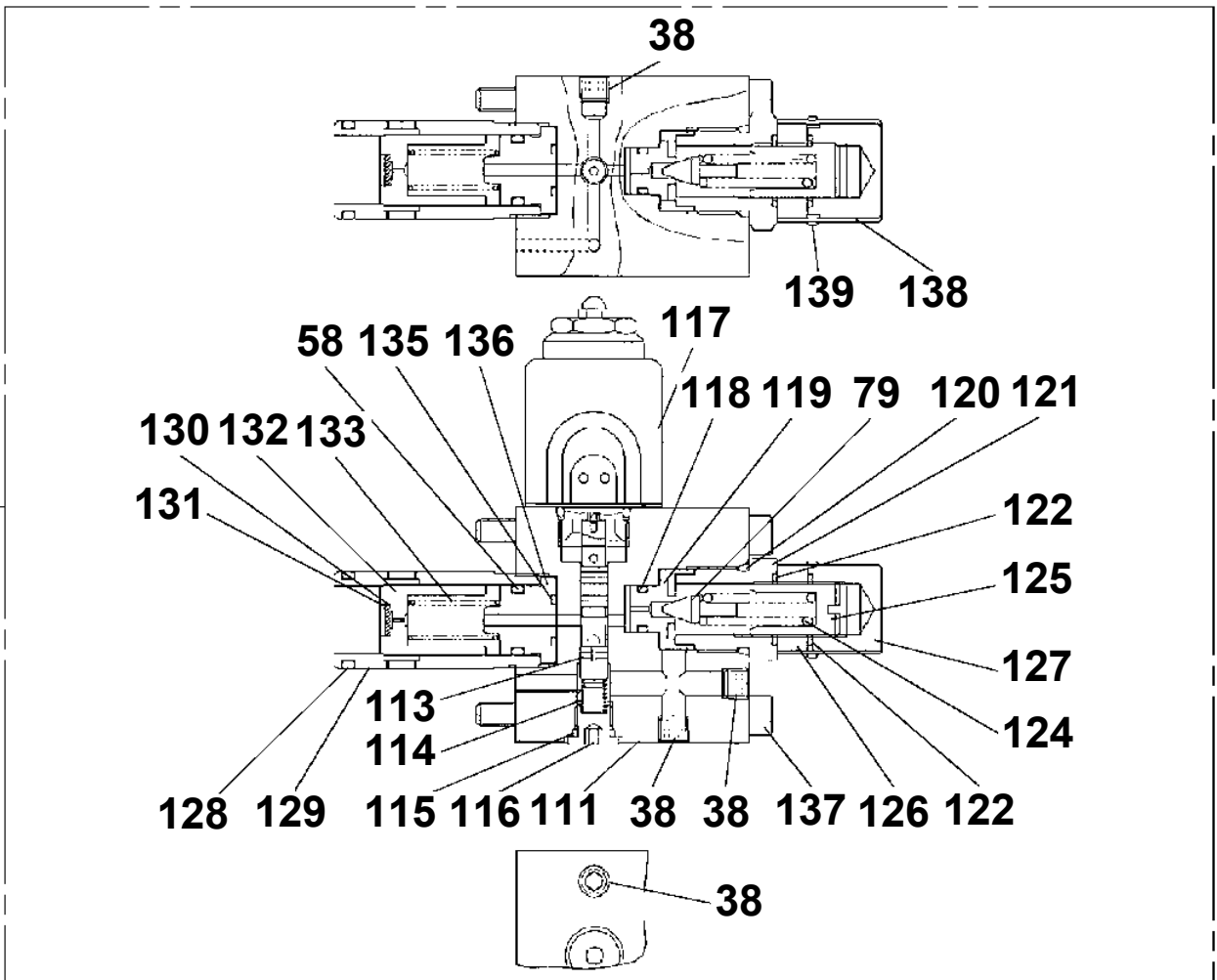


TM-ZR260 41108210450A FRAME/STD,MANUAL,HOOK-IN
 PB1320533-01 VALVE,MANUAL CONTROL (MAIN/NABCO)

7



12



TM-ZR260 41108210450A FRAME/STD,MANUAL,HOOK-IN

Pos No.	Parts No	Parts Name	Qty	Unit	Technical Data	Serial No (Start)	Serial No (End)	Rema
1	81408000100	PIPE,STEEL	1	M	10X1.2T	EY2421	EY2420	
2	81408000100	PIPE,STEEL	1	M	10X1.2T			
3	91803880070	CLIP	2		D=13.1-16.2			
4	91803600200	CLIP	1		D=13-20			
5	91810130270	FASTENER	2					
6	31641800300	COVER	1					
	31644591400	COVER	1					
7	91810130240	FASTENER	3					
8	90101208055	BOLT	2		M8X55			
9	37005700140	CLAMP	2					
10	90280200800	NUT,FLANGE	2		M8			
13	37002510120	HOSE	1		L=1200			
14	37000800740	JOINT	1					
15	91002801100	O-RING	4		1B P11			
16	80302090121	FITTING	8		KCO10-030N			
17	91002801400	O-RING	13		1B P14			
18	81408000100	PIPE,STEEL	2	M	10X1.2T			
19	81408000100	PIPE,STEEL	2	M	10X1.2T			
21	81408000100	PIPE,STEEL	2	M	10X1.2T			
22	81408000100	PIPE,STEEL	2	M	10X1.2T			
23	90186210014	BOLT,FLANGE	2		M10X14			
24	37000924350	FITTING	4					
25	91803600400	CLIP	2		D=27-40			
26	36672390000	FILTER,OIL (WAKO)	1					
27	91002802900	O-RING	1		1B P29			
30	80481003037	JOINT	4					
31	80400160180	JOINT (WITH O-RING)	1					
32	80481003027	JOINT	1					
41	80400160202	JOINT (FOR RETURN FILTER)	1					
51	37002455310	HOSE	4		L=1365			
52	80491002020	JOINT (WITH O-RING)	4					
53	31644591450	JOINT	2					
54	91810130240	FASTENER	6					
61	91002801400	O-RING	1		1B P14			
71	91002802900	O-RING	1		1B P29			
81	91002801100	O-RING	4		1B P11			

TM-ZR260 41108210450A FRAME/STD,MANUAL,HOOK-IN

Pos No.	Parts No	Parts Name	Qty	Unit	Technical Data	Serial No (Start)	Serial No (End)
1	91001101000	O-RING	2		1A P10	EY3173	EY3172
	91002801000	O-RING	2		1B P10		
2	90172110035	BOLT,HEXAGON SOCKET	2		M10X35		
3	36623930000	VALVE,PILOT CHECK	1				
4	36033640000	CYLINDER ASSY,JACK	1				
5	80491002020	JOINT (WITH O-RING)	2				
21	91002902500	O-RING	1		1B G25		
22	91350206000	BEARING,PLAIN (WITH PACKINGX2)	1				
23	36033643000	PISTON	1				
24	36033642000	ROD	1				
25	36033641000	CYLINDER	1				
26	36013823200	COVER,ROD	1				
27	91002905500	O-RING	1		1B G55		
28	91694004500	PACKING	1				
29	91410204502	RING,BACKUP	1				
30	91660004501	SEAL,DUST	1				
41	36033169910	PACKING SET	1		45X60		
51	91002801100	O-RING	2		1B P11		

CLICK HERE TO **DOWNLOAD** THE COMPLETE MANUAL

- Thank you very much for reading the preview of the manual.
- You can download the complete manual from: www.heydownloads.com by clicking the link below



- Please note: If there is no response to CLICKING the link, please download this PDF first and then click on it.

CLICK HERE TO **DOWNLOAD** THE COMPLETE MANUAL

TM-ZR260 41108210450A FRAME/STD,MANUAL,HOOK-IN

Pos No.	Parts No	Parts Name	Qty	Unit	Technical Data	Serial No (Start)	Serial No (E
1	36031780100	CYLINDER	1				
2	90211203000	NUT	1		M30X3/2		
3	36032110300	PISTON	1				
4	91350207500	BEARING,PLAIN (WITH PACKINGX2)	1				
5	91002903000	O-RING	1		1B G30		
6	36010130080	COVER,ROD	1				
7	91002907000	O-RING	1		1B G70		
8	91694006000	PACKING	1				
9	91660006001	SEAL,DUST	1				
10	36036221000	ROD	1				
20	36033739900	PACKING SET	1		60X75		
50	36036220000	CYLINDER,JACK (WELDED STRUCTURE)	1				

TM-ZR260 41108210450A FRAME/STD,MANUAL,HOOK-IN

Pos No.	Parts No	Parts Name	Qty	Unit	Technical Data	Serial No (Start)	Serial No (End)
1	36031780100	CYLINDER	1				
2	90211203000	NUT	1		M30X3/2		
3	36032110300	PISTON	1				
4	91350207500	BEARING,PLAIN (WITH PACKINGX2)	1				
5	91002903000	O-RING	1		1B G30		
6	36010130080	COVER,ROD	1				
7	91002907000	O-RING	1		1B G70		
8	91694006000	PACKING	1				
9	91660006001	SEAL,DUST	1				
10	36036550500	ROD	1				
30	36033909900	PACKING SET	1		60X75		
50	36036540000	CYLINDER,JACK (FRICTION-WELDED)	1				

TM-ZR260 41108210450A FRAME/STD,MANUAL,HOOK-IN

Pos No.	Parts No	Parts Name	Qty	Unit	Technical Data	Serial No (Start)	Serial No (End)	Remarks	Pages
1	91810132530	FASTENER	2						
2	37002447960	HOSE	4		L=1180				
	37002486200	HOSE	4		L=1180				
3	80320030050	FITTING,ELBOW	4		KLE10-020N		EY1258		
4	81408000130	PIPE,STEEL	16	M	10X1.8T				
5	80320010050	FITTING	4		KUD10-020N		EY1258		
	80320010050	FITTING	8		KUD10-020N	EY1259			
6	80430620400	JOINT	4						
7	37000561880	SUPPORT	3						
8	82100002039	CLAMP	2						
9	90101208012	BOLT	2		M8X12				
10	90302040801	WASHER,SPRING	2		8				
11	37002428090	HOSE	2		L=1280				
12	37002413240	HOSE	2		L=500				
13	37000300720	SLEEVE	12		12-10				
14	37000711410	CLAMP ASSY	3		12-4				
21	91002801100	O-RING	4		1B P11				

TM-ZR260 41108210450A FRAME/STD,MANUAL,HOOK-IN

Pos No.	Parts No	Parts Name	Qty	Unit	Technical Data	Serial No (Start)	Serial No (End)
1	90171110040	BOLT	2		M10X40		
2	90302041001	WASHER,SPRING	2		10		
3	36605180001	VALVE,COUNTERBALANCE	1				
4	36025960000	CYLINDER,ELEVATING	1				
5	82400000459	CAP	2				
11	37000403070	BEARING,PLAIN	4				
12	36024671000	PISTON	1				
13	91350211500	BEARING,PLAIN (WITH PACKINGX2)	1				
14	91002907500	O-RING	1		1B G75		
15	36025969510	CYLINDER ASSY	1				
16	36025969520	ROD ASSY	1				
17	91002911000	O-RING	1		1B G110		
18	36024671500	COVER,ROD	1				
19	91694008001	PACKING	1				
20	91410208001	RING,BACKUP	1				
21	91660008000	SEAL,DUST	1				
22	80622000800	RING,RITAINING	1		SP80		
23	82456101000	NIPPLE,GREASE	2		A-PT1/8		
30	36024679900	PACKING SET	1		80X115		
100	31241000000	CYLINDER,ELEVATING	1				

TM-ZR260 41108210450A FRAME/STD,MANUAL,HOOK-IN

Pos No.	Parts No	Parts Name	Qty	Unit	Technical Data	Serial No (Start)	Serial No (End)	Remarks
1	31310647530	GEAR,SPUR	1					
2	31310647540	PIN	2					
3	31310647550	DRUM	1					
4	80516006306	BEARING,BALL	1					
5	80516006206	BEARING,BALL	1					
6	90172410025	BOLT,HEXAGON SOCKET	4		M10X25			
7	90302041001	WASHER,SPRING	4		10			
100	31310641300	DRUM,WINCH (Y.G.TEC)	1					

TM-ZR260 41108210450A FRAME/STD,MANUAL,HOOK-IN

Pos No.	Parts No	Parts Name	Qty	Unit	Technical Data	Serial No (Start)	Serial No (End)	Rema
1	37001500000	BOLT	1					
2	90302041201	WASHER,SPRING	1		12			
3	90303101201	WASHER,PLAIN	1		12			
4	90172110028	BOLT,HEXAGON SOCKET	3		M10X28			
5	90302041001	WASHER,SPRING	3		10			
6	90303071001	WASHER,PLAIN	3		10			
7	36073080000	WINCH (Y.G.TEC)	1				EY3712	
	36073430000	WINCH (OOKUBO)	1					
	36072620000	WINCH (HARTYS)	1					
	36073810000	WINCH ASSY (Y.G.TEC)	1			EY3713		
8	82401800080	PLUG (FOR M8)	2					
9	31310610500	BREATHER,AIR	1					
10	90172108025	BOLT,HEXAGON SOCKET	2		M8X25			
11	90302040801	WASHER,SPRING	2		8			
12	36663100000	MOTOR,HYDRAULIC (WINCH)	1					
13	91001206000	O-RING	1		1A G60			
14	37000137550	PIN	1					
15	90186210014	BOLT,FLANGE	2		M10X14			
16	37000306110	SPACER	1		L=16 TO 16.5			
17	31310391000	COVER	1					
18	31310641000	DRUM,WINCH (HARTYS)	1					
	31310641300	DRUM,WINCH (Y.G.TEC)	1					
19	37002600190	WEDGE	1		8			
20	37000306550	SPACER	1		L=18			

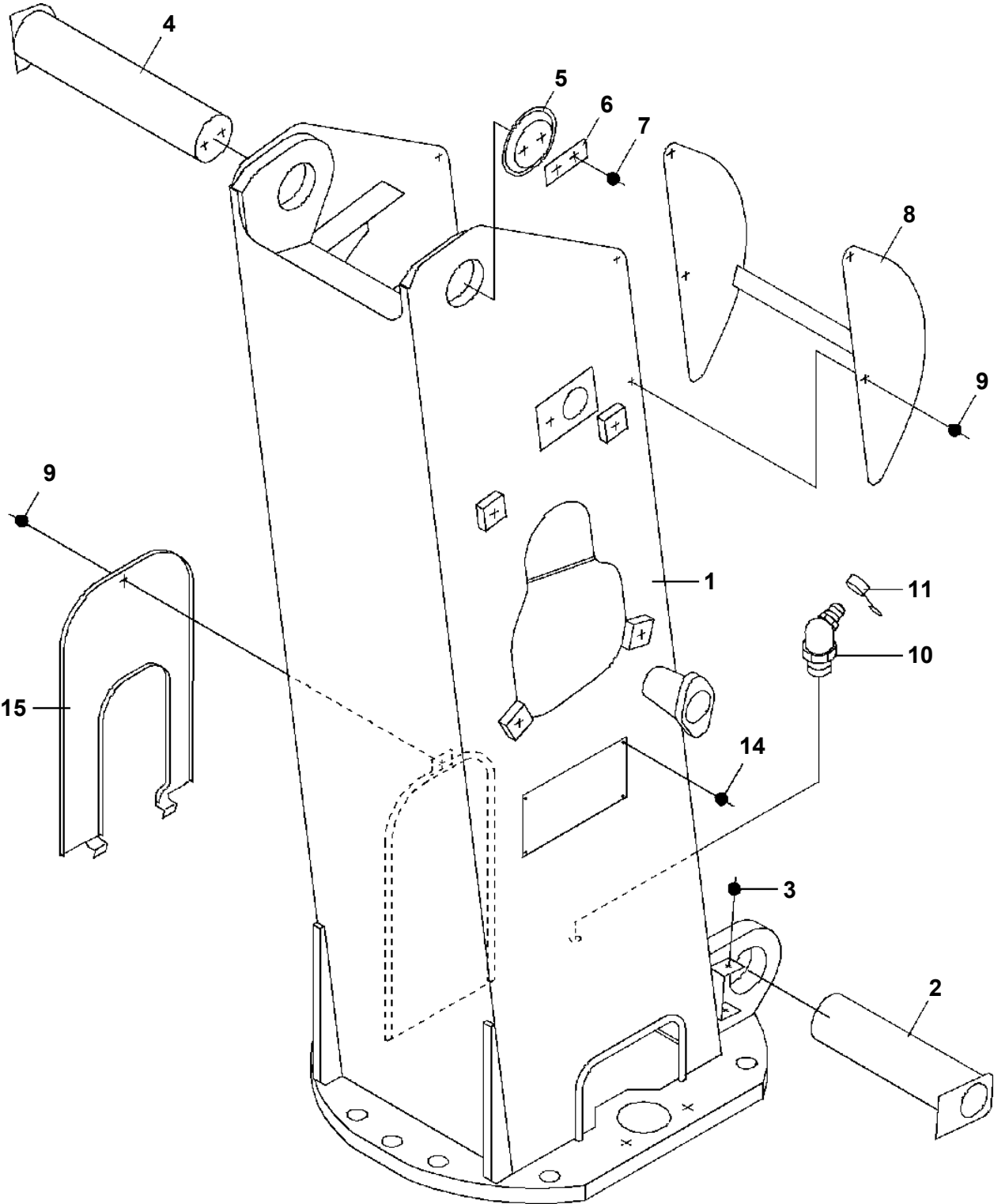
TM-ZR260 41108210450A FRAME/STD,MANUAL,HOOK-IN

Pos No.	Parts No	Parts Name	Qty	Unit	Technical Data	Serial No (Start)	Serial No (End)	Remark
4	91411001100	RING,BACKUP	1					
5	37001201750	SPRING	1					
6	91002801800	O-RING	1		1B P18			
8	82441810100	PLUG	2				EY2999	
9	36605180020	PLUG	1					
10	36605200300	POPPET	1					
11	37001201760	SPRING	1					
12	91002801400	O-RING	2		1B P14			
13	91002801100	O-RING	3		1B P11			
14	91002800800	O-RING	2		1B P8	EY3000		
28	80316100010	PLUG	2		GPF1/8	EY3000		
50	36605180001	VALVE,COUNTERBALANCE	1					

TM-ZR260 41108210450A FRAME/STD,MANUAL,HOOK-IN

Pos No.	Parts No	Parts Name	Qty	Unit	Technical Data	Serial No (Start)	Se
1	36682370001	METER,LOAD (2.6TON ENG&JAPANESE/NAGANO)	1				

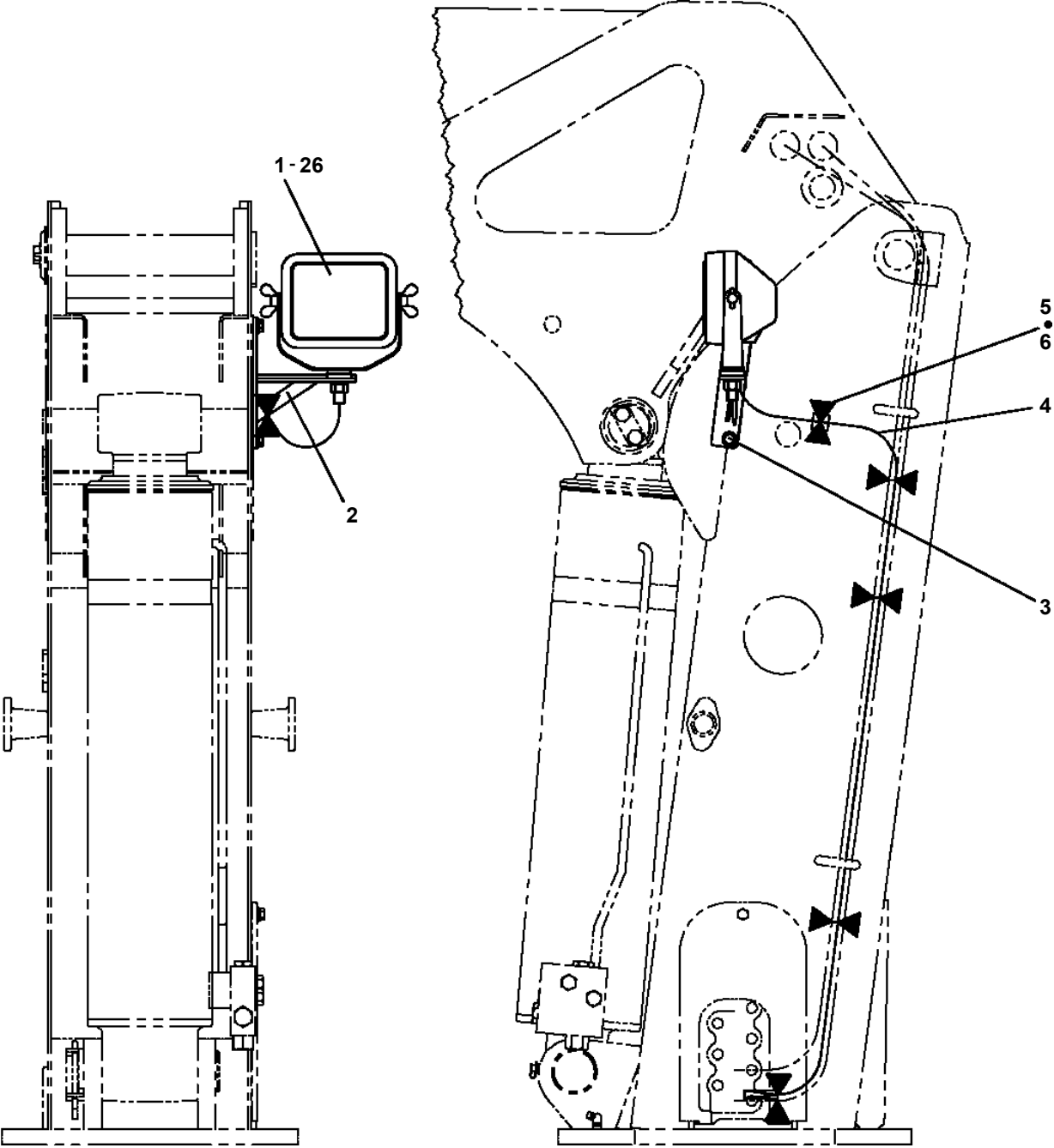
TM-ZR260 41108210450A FRAME/STD,MANUAL,HOOK-IN
PK1100358-00 SWING FRAME



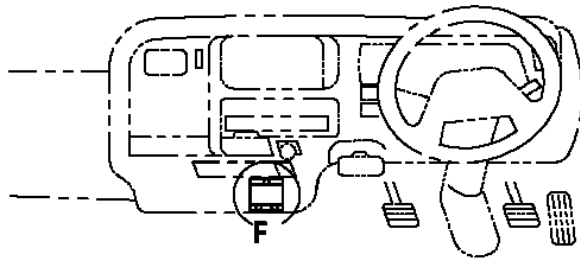
TM-ZR260 41108210450A FRAME/STD,MANUAL,HOOK-IN

Pos No.	Parts No	Parts Name	Qty	Unit	Technical Data	Serial No (Start)	Serial No (End)	Re
77	37000311460	SPACER	2		L=5			
78	31323331201	LINK	1					
79	37000311190	SPACER	1		L=16			
80	80824001206	BEARING,PLAIN	2					
81	90303071201	WASHER,PLAIN	2		12			
82	90201200800	NUT	1		M8			
83	90102208035	BOLT	1		M8X35			
91	31320810210	END	7					
92	90203200800	NUT	7		M8			
93	31322222150	ROD	1					
101	31323410300	ROD	1					
104	31323130401	PLATE	1					
105	80620210060	PIN,SNAP	1					
106	37000116610	PIN	1					
107	37001300540	SPRING	1					
108	37000101210	PIN	1					
109	80620210050	PIN,SNAP	1					
121	31322222050	ROD	4					
133	31323402100	ROD	1					
140	31323138011	LINK ASSY	1					
141	31323132101	SUPPORT	1					
142	31323132201	LINK	1					
143	31323132301	LINK	1					
144	31323132500	SWITCH ASSY (WITH HARNESS)	1					
145	80192483016	SCREW,MACHINE	2		M3X16			
148	16314010000	SPRING	1					
149	90303070601	WASHER,PLAIN	4		6			
150	80136320010	PIN,SPLIT	3		2X10			
151	90302040401	WASHER,SPRING	2		4			
152	91810130240	FASTENER	1					
153	31323132400	COVER	1					
154	80171304008	SCREW,MACHINE	2		M4X8			
155	90172108012	BOLT,HEXAGON SOCKET	1		M8X12			
156	90302040801	WASHER,SPRING	2		8			
157	31323132600	COVER	1					
158	90101208050	BOLT	1		M8X50			
159	90186206010	BOLT,FLANGE	2		M6X10			
161	37000310680	SPACER	1					
176	82104420660	SWITCH,LIMIT	1					
183	80620210120	PIN,SNAP	1					
184	31323141350	ROLLER	3					
201	31323331251	LINK	1					
202	31323331301	PIN	1					
205	37000311480	SPACER	1		L=10			

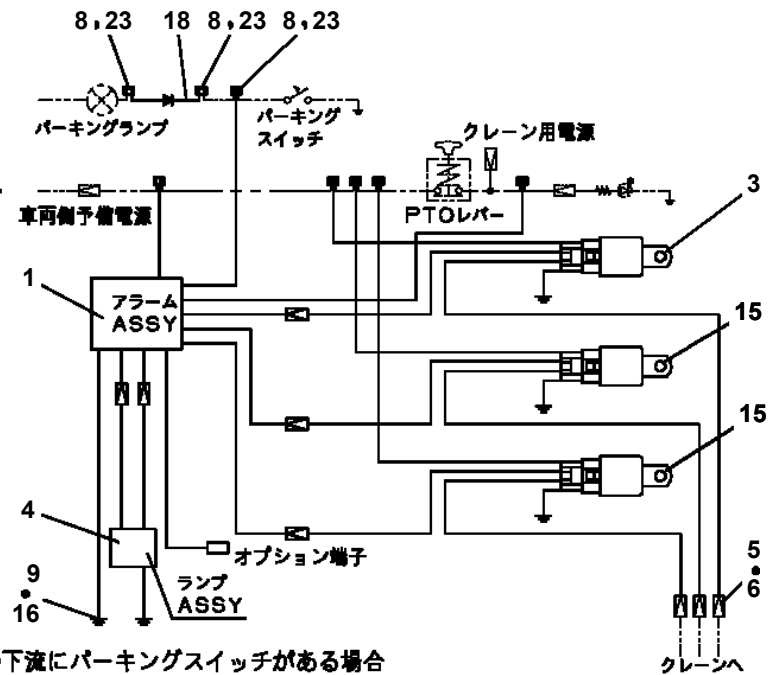
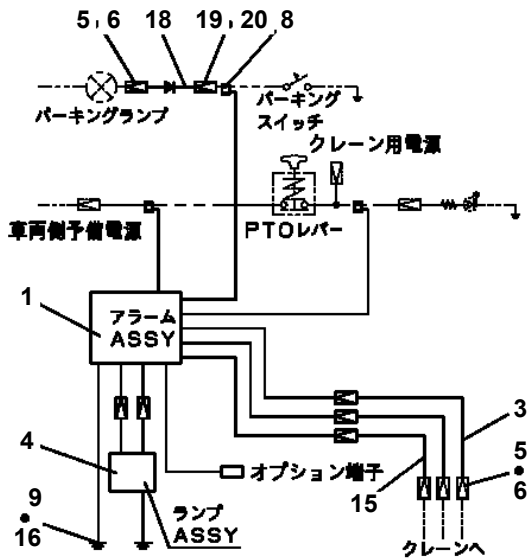
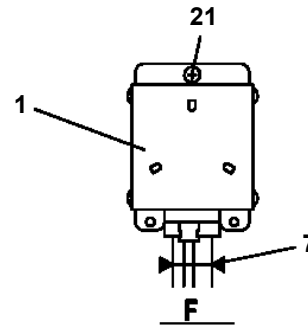
TM-ZR260 41108210450A FRAME/STD,MANUAL,HOOK-IN
PN1012344-02 ELEC.ASSY (24V60W LAMP/MOUNT,POST)



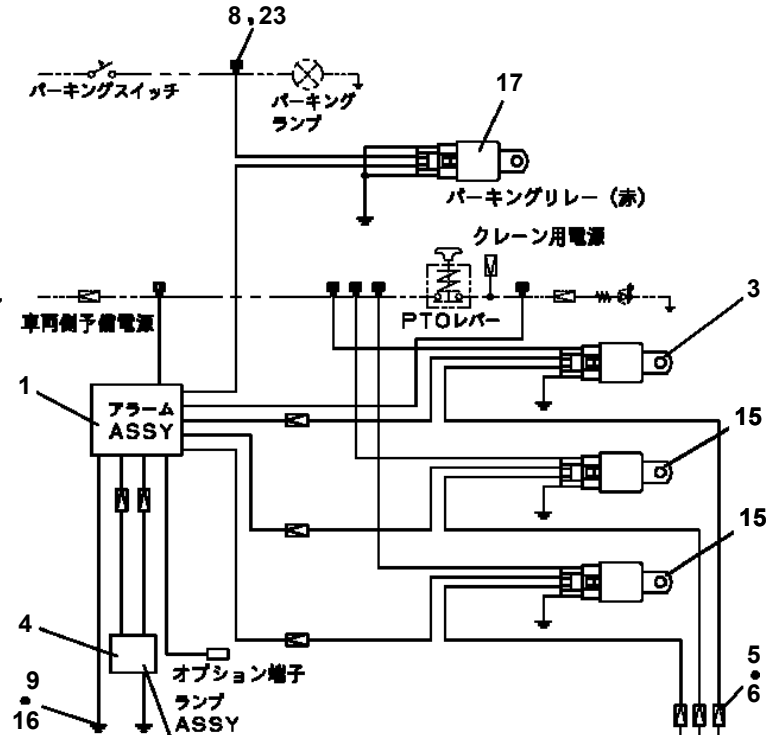
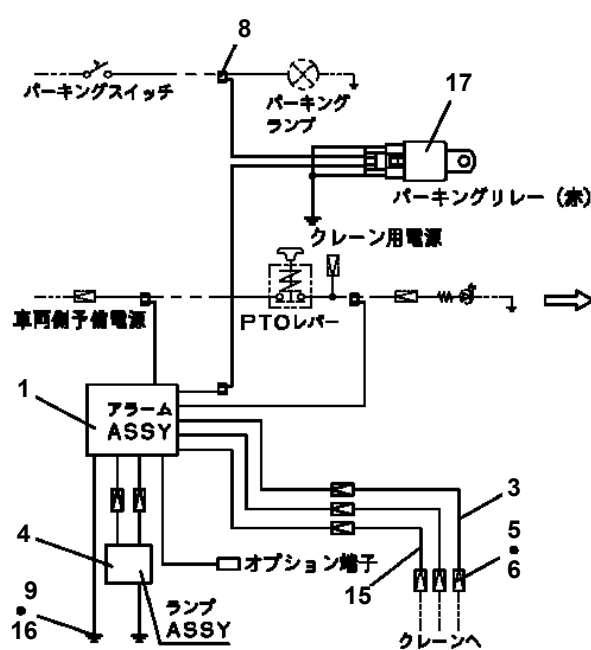
TM-ZR260 41108210450A FRAME/STD,MANUAL,HOOK-IN
 PN1014341-01 ELEC.ASSY (CARRIER)



アラームASSY取付



パーキングランプの下流にパーキングスイッチがある場合



パーキングランプの上流にパーキングスイッチがある場合

TM-ZR260 41108210450A FRAME/STD,MANUAL,HOOK-IN

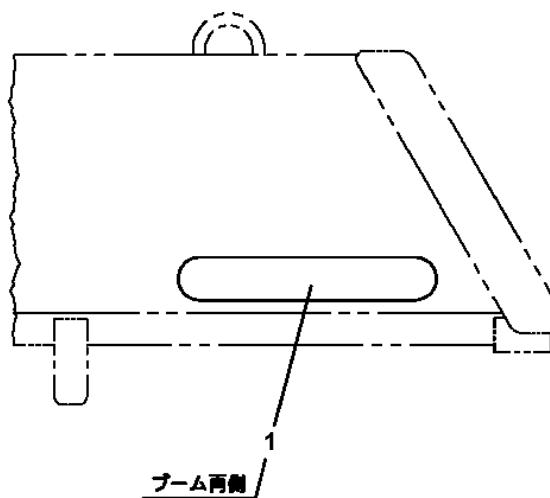
Pos No.	Parts No	Parts Name	Qty	Unit	Technical Data	Serial No (Start)	Serial No (End)	P
1	82105501001	SWITCH,TOGGLE (PLATING)	1					
2	82101940130	SWITCH,PUSH (3PJW106F-021-CC)	1					
10	31653244200	SWITCH ASSY (PLATING:NACC)	1					

TM-ZR260 41108210450A FRAME/STD,MANUAL,HOOK-IN
PO1000123-00 INDICATION PLATES

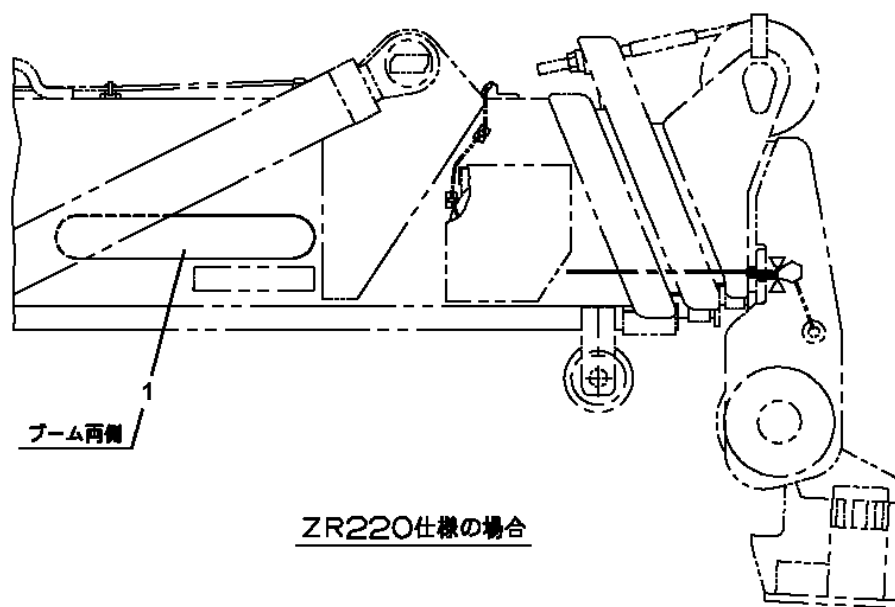
メイパ ン
INDICATION PLATES

〔組立名称一覧〕より選択してください。
SEE THE CORRESPONDING "ASSEMBLY NAME" LIST.

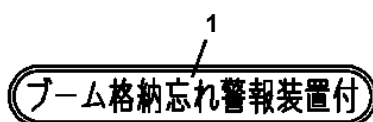
TM-ZR260 41108210450A FRAME/STD,MANUAL,HOOK-IN
PO1014584-04 PLATE ASSY,NAME (BOOM,ELEV. STOWING FAILURE)



プレート、ネーム貼付位置は参考とする



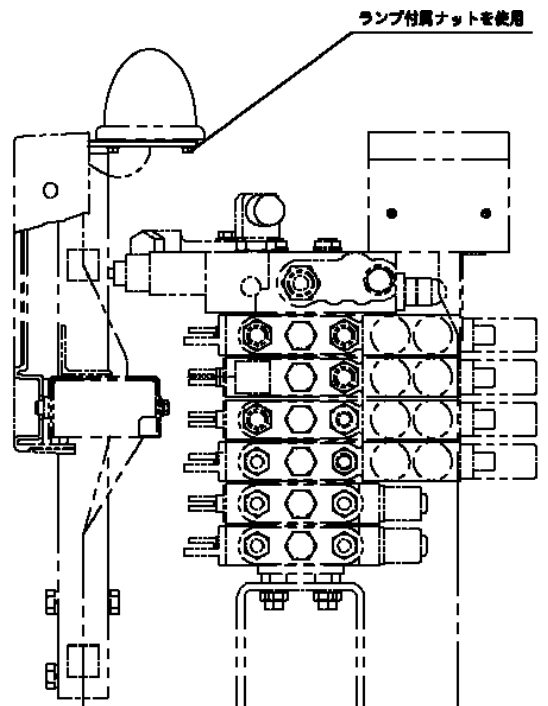
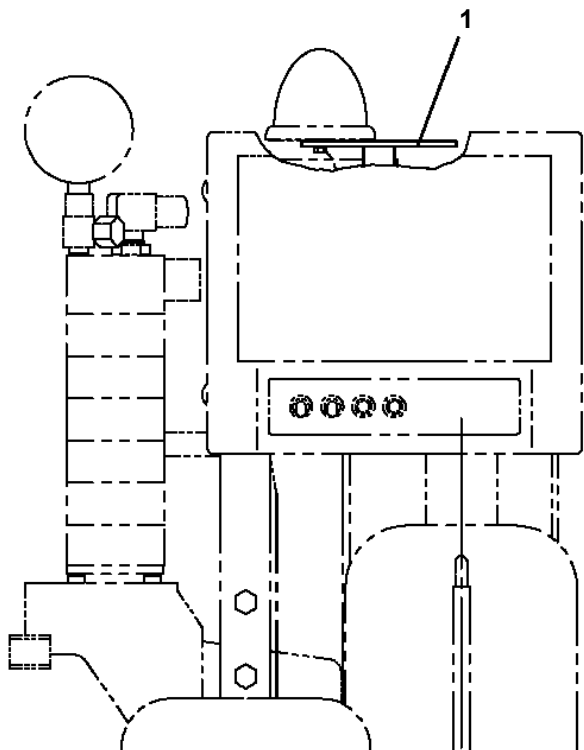
ZR220仕様の場合



ブーム段数参考

THE BOOM SECTIONS IN THE ILLUSTRATION ARE FOR REFERENCE.

TM-ZR260 41108210450A FRAME/STD,MANUAL,HOOK-IN
PX1810087-00 MOUNT,SUPPORT (SL LAMP/WITH OPT.VALVE)



CLICK HERE TO **DOWNLOAD** THE COMPLETE MANUAL

- Thank you very much for reading the preview of the manual.
- You can download the complete manual from: www.heydownloads.com by clicking the link below



- Please note: If there is no response to CLICKING the link, please download this PDF first and then click on it.

CLICK HERE TO **DOWNLOAD** THE COMPLETE MANUAL