

TM-ZR230 41110210880A FRAME/STD,REMOTE-RADIO CONT.,HOOK-IN
PB000027-02 SYSTEM (ZR230,DOMESTIC)
ASSEMBLY

CLICK HERE TO **DOWNLOAD** THE COMPLETE MANUAL

- Thank you very much for reading the preview of the manual.
- You can download the complete manual from: www.heydownloads.com by clicking the link below



- Please note: If there is no response to CLICKING the link, please download this PDF first and then click on it.

CLICK HERE TO **DOWNLOAD** THE COMPLETE MANUAL

TM-ZR230 41110210880A FRAME/STD,REMOTE-RADIO CONT.,HOOK-IN
PB1020005-00 PUMP ASSY (SELECTION)

- PUMP ASSY
- ポンプASSYの選定

指示番号 key No	PUMP MODEL ポンプ型式番号	RUNNING DIRECTION 回転方向
1	SGP1-30D2H9-LO21	COUNTERCLOCKWISE 左
2	KLP2230ANBST	COUNTERCLOCKWISE 左

[NOTE]

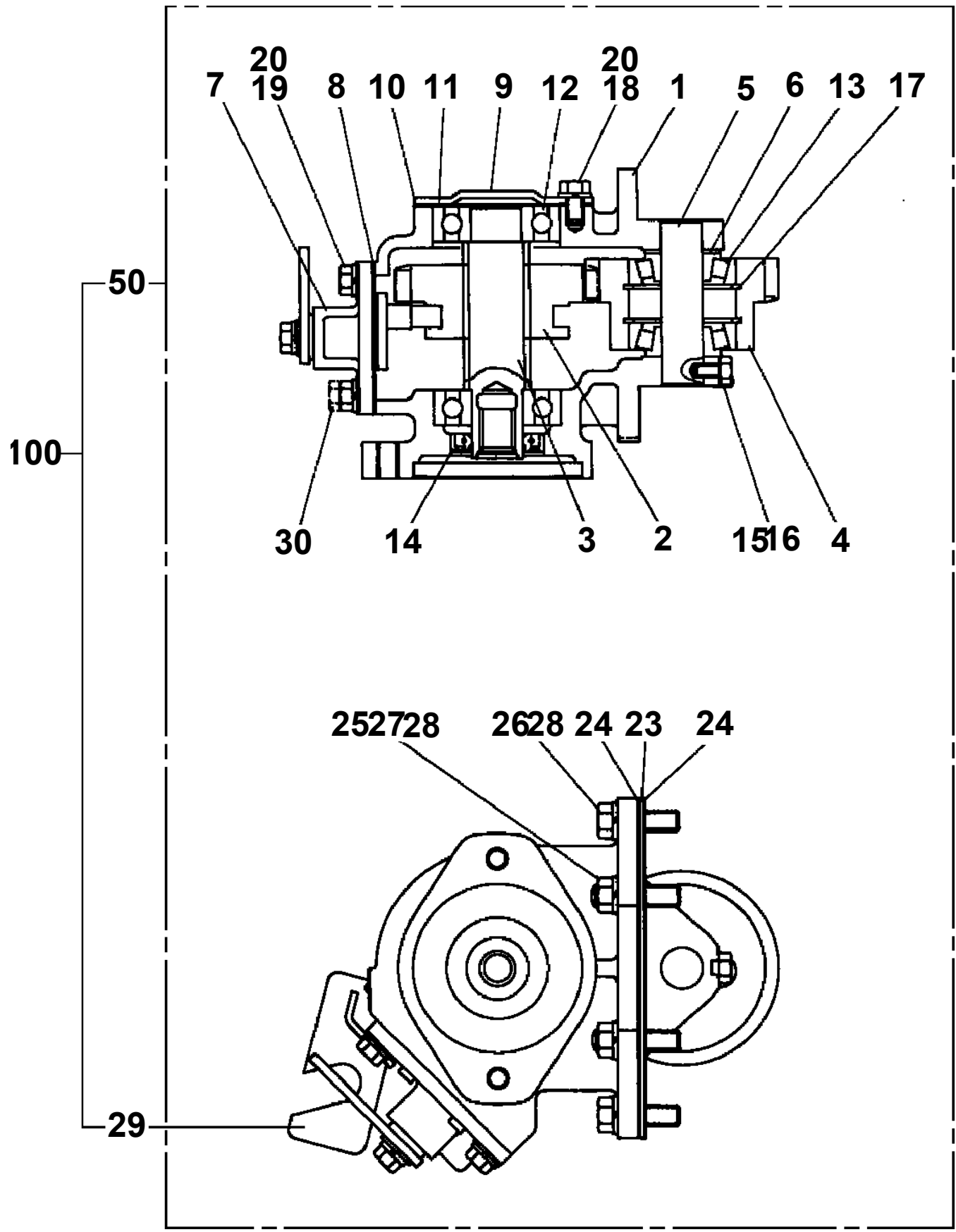
(1) PUMP MODEL NOS. ARE PUNCHED
ON PUMP NAMEPLATE.

(2) THE PUMP RUNNING DIRECTION
IS VIEWED FROM THE SHAFT
TOWARD THE PUMP.

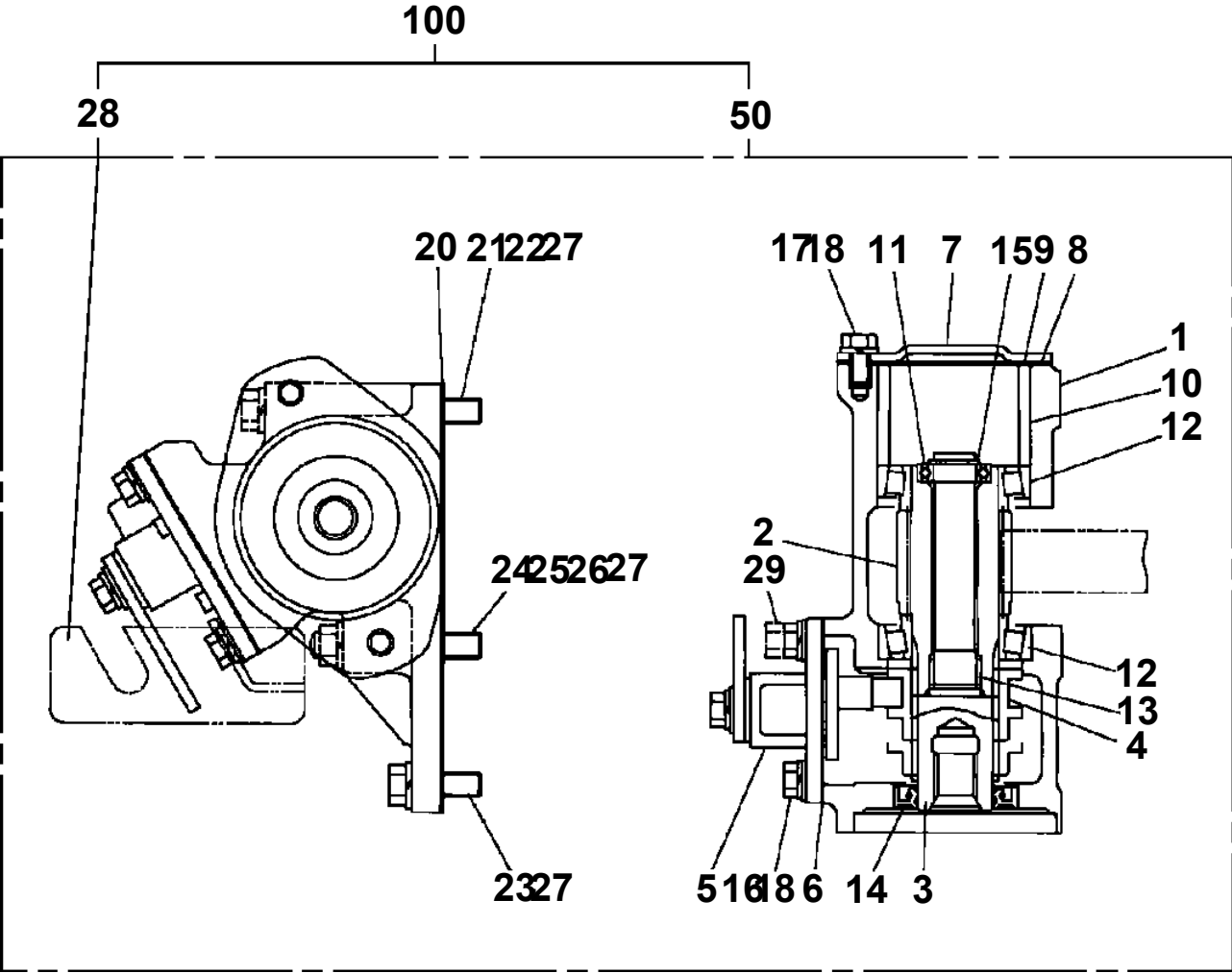
[注 意]

- (1) ポンプ型式番号はポンプ本体の銘板に打刻しています。
- (2) ポンプの回転方向はポンプの軸端から見ての回転方向です。

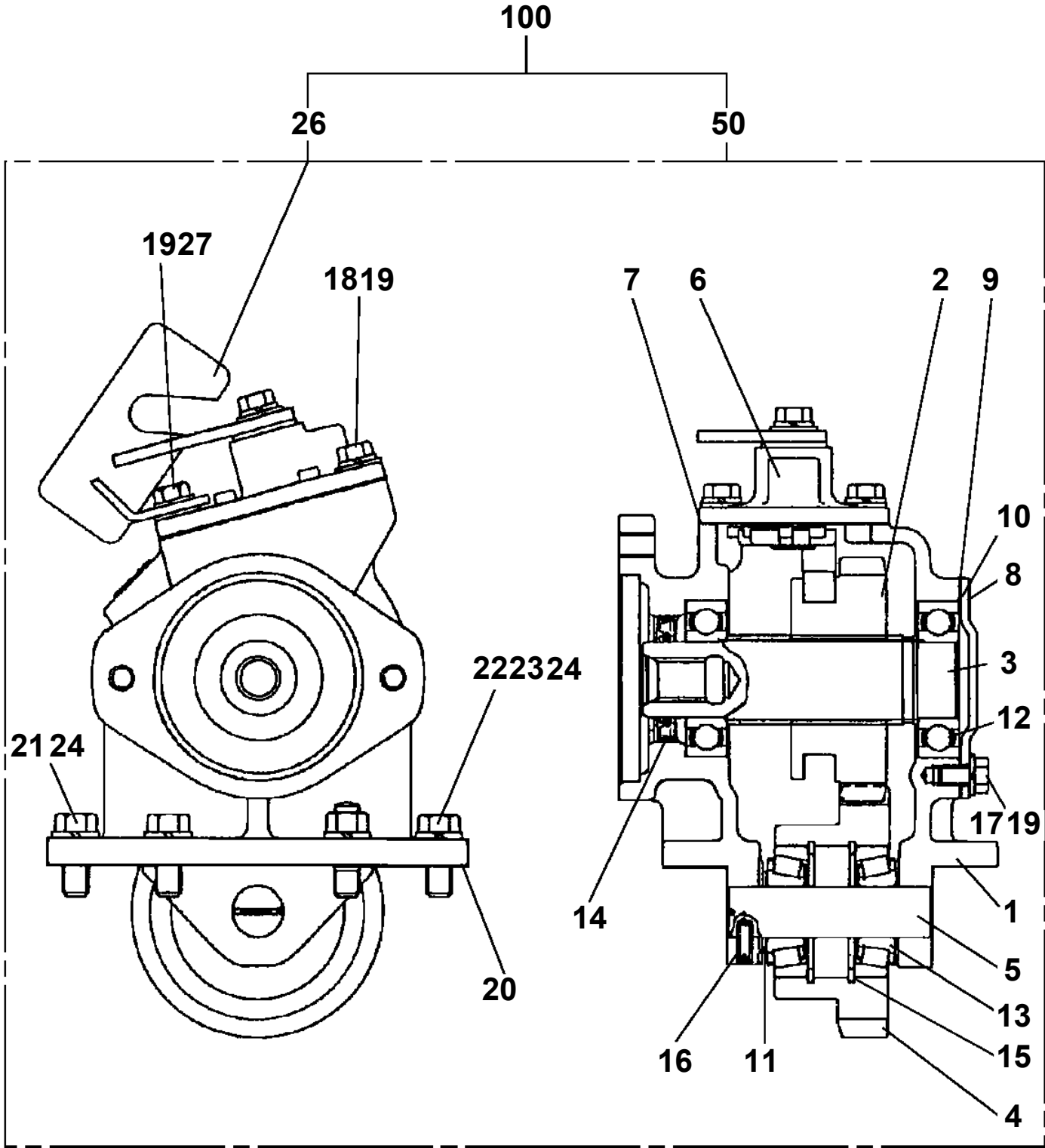
TM-ZR230 41110210880A FRAME/STD,REMOTE-RADIO CONT.,HOOK-IN
PB1030100-01 POWER TAKE OFF



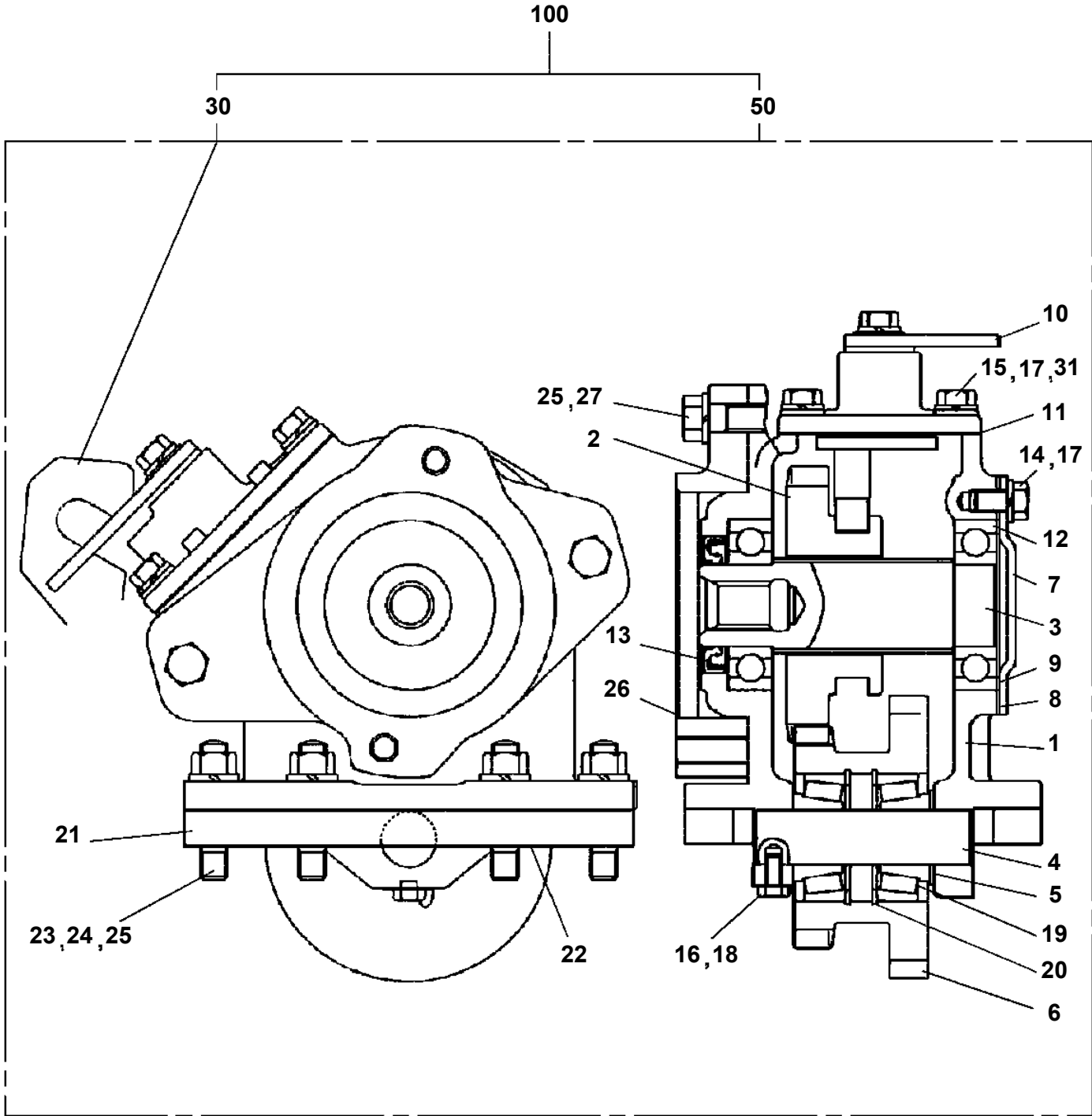
TM-ZR230 41110210880A FRAME/STD,REMOTE-RADIO CONT.,HOOK-IN
PB1030132-01 POWER TAKE OFF



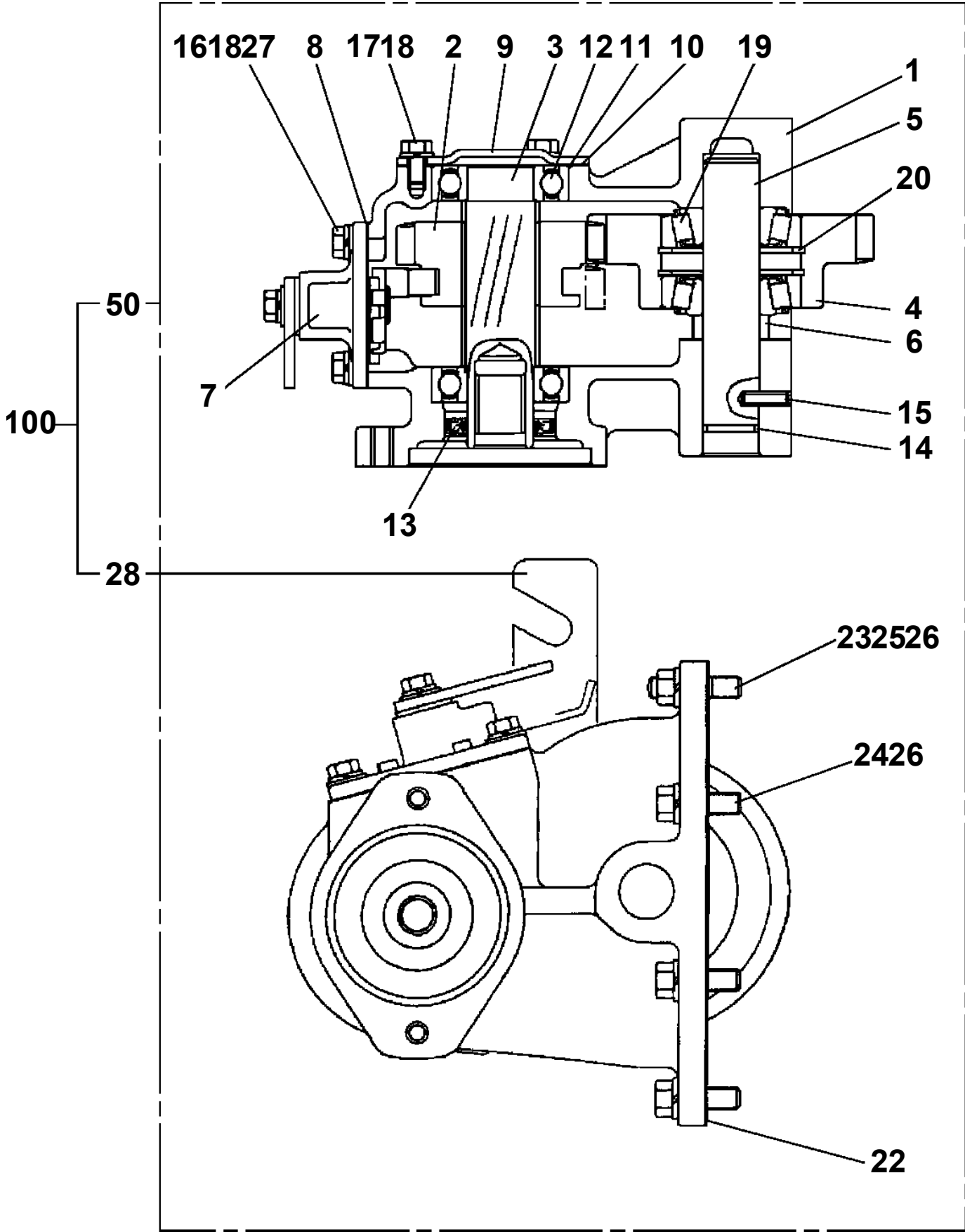
TM-ZR230 41110210880A FRAME/STD,REMOTE-RADIO CONT.,HOOK-IN
PB1030165-01 POWER TAKE OFF



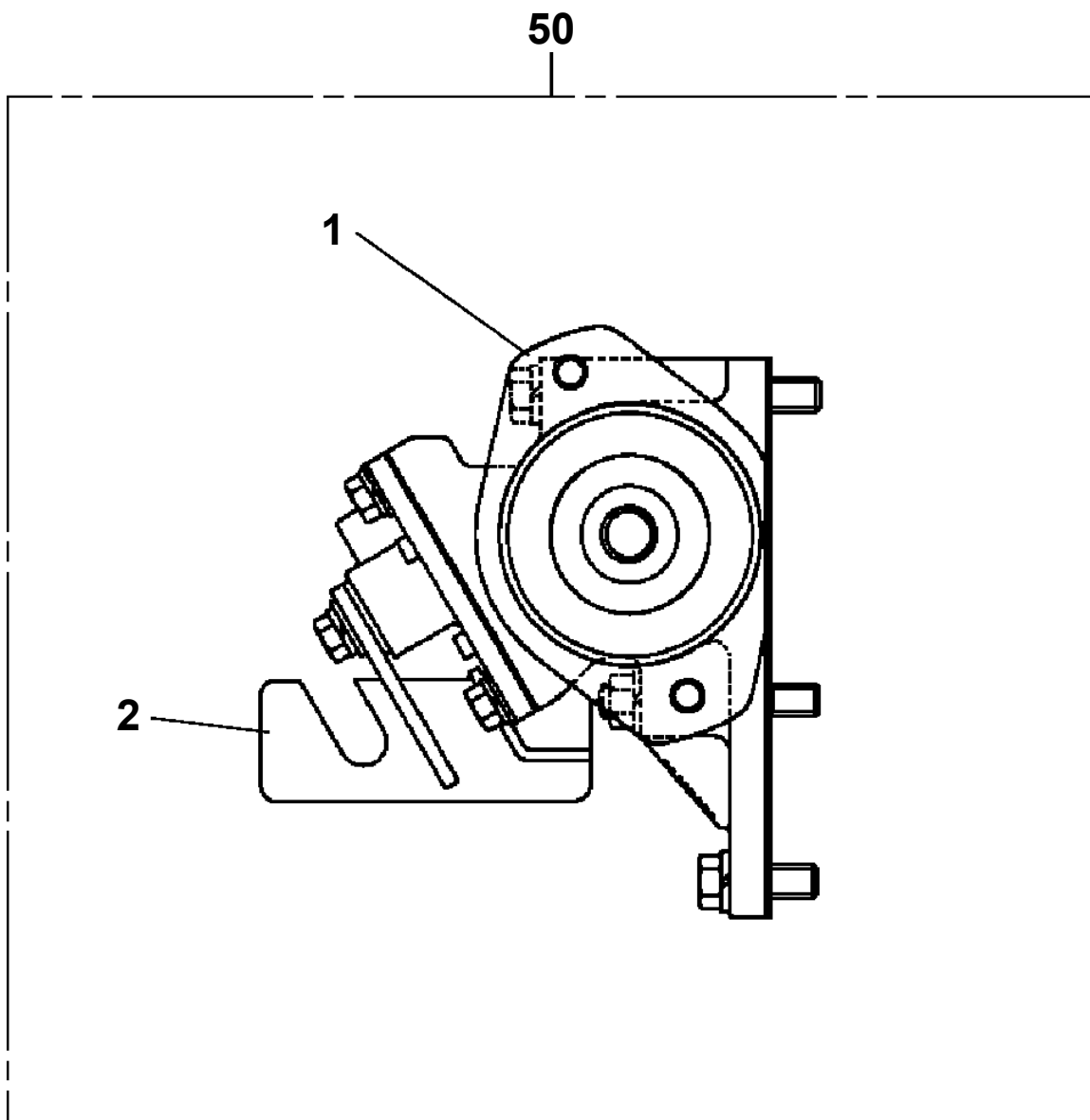
TM-ZR230 41110210880A FRAME/STD,REMOTE-RADIO CONT.,HOOK-IN
PB1030172-02 POWER TAKE OFF



TM-ZR230 41110210880A FRAME/STD,REMOTE-RADIO CONT.,HOOK-IN
PB1030192-01 POWER TAKE OFF



TM-ZR230 41110210880A FRAME/STD,REMOTE-RADIO CONT.,HOOK-IN
PB1030205-00 POWER TAKE OFF



TM-ZR230 41110210880A FRAME/STD,REMOTE-RADIO CONT.,HOOK-IN

Pos No.	Parts No	Parts Name	Qty	Unit	Technical Data	Serial No (Start)	Serial No (End)	Remarks	Pages
1	36401995010	CASE	1						
2	36401995020	GEAR	1						
3	36401995030	SHAFT	1						
4	36400095040	SHAFT	1						
5	36400095050	COLLAR	1						
6	36401995040	GEAR	1						
7	36400095070	COVER (BEARING)	1						
8	36400095080	PACKING (COVER)	1						
9	36400095090	SHIM	N						
10	36401995050	SHIFTER ASSY	1						
11	36400095110	PACKING	1						
12	80500006206	BEARING,BALL	2						
13	91206030005	SEAL,OIL	1						
14	90191208014	BOLT	3		M8X14				
15	90191208020	BOLT	4		M8X20				
16	90101206012	BOLT	1		M6X12				
17	90302040801	WASHER,SPRING	7		8				
18	36400095130	WASHER	1						
19	36401745060	BEARING	2						
20	80602110470	RING,RITAINING	2		R47				
22	36400055070	PACKING	1						
23	36401995060	BOLT	4						
24	90267401000	NUT	4		M10				
25	90302041001	WASHER,SPRING	6		10				
26	90193510035	BOLT	2		M10X35				
27	31791160100	SUPPORT	1						
28	90191208025	BOLT	2		M8X25				
50	36401990000	POWER TAKE OFF	1						
100	31791610000	POWER TAKE OFF	1						

TM-ZR230 41110210880A FRAME/STD,REMOTE-RADIO CONT.,HOOK-IN

Pos No.	Parts No	Parts Name	Qty	Unit	Technical Data	Serial No (Start)	Serial No (End)	Remarks	Pages
1	36401135050	CASE	1						
2	36401125170	GEAR	1						
3	36401125030	SHAFT (TO)	1						
4	36401125040	SLEEVE	1						
5	36401125050	SHIFTER SET	1						
6	36400095110	PACKING	1						
7	36400095070	COVER (BEARING)	1						
8	36400095080	PACKING (COVER)	1						
9	36400095090	SHIM	N						
10	36401135070	COLLAR	1						
11	80500006903	BEARING,BALL	1						
12	36401125080	BEARING,ROLLER	2						
13	36401125090	BEARING,NEEDLE	1						
14	91206030005	SEAL,OIL	1						
15	36401125100	RING,RETAINING	1						
16	90191208020	BOLT	4		M8X20				
17	90191208014	BOLT	3		M8X14				
18	90302040801	WASHER,SPRING	7		8				
20	36402015020	PACKING	2						
21	36402035040	BOLT	1		M10X1.5X120				
22	36402035050	BOLT	1		M10X1.5X110				
23	90191210050	BOLT	2		M10X50				
24	36402035010	BOLT,STUD	1						
25	36402035020	BOLT,STUD	1						
26	90267201000	NUT	2		M10				
27	90302041001	WASHER,SPRING	6		10				
28	36402035030	SPACER	1						
30	90191208025	BOLT	2		M8X25				
51	36402030000	POWER TAKE OFF	1						
52	31790880100	SUPPORT	1						
100	31792100000	POWER TAKE OFF	1						

TM-ZR230 41110210880A FRAME/STD,REMOTE-RADIO CONT.,HOOK-IN

Pos No.	Parts No	Parts Name	Qty	Unit	Technical Data	Serial No (Start)	Serial No (End)	Remarks
1	36402005010	CASE	1					
2	36402005020	GEAR	1					
3	36402135010	SHAFT	1					
4	36402005040	GEAR	1					
5	36400095040	SHAFT	1					
6	36400095100	SHIFTER ASSY	1					
7	36400095110	PACKING	1					
8	36400095070	COVER (BEARING)	1					
9	36400095080	PACKING (COVER)	1					
10	36400095090	SHIM	N					
11	36400095050	COLLAR	1					
12	80500006206	BEARING,BALL	2					
13	36400095120	BEARING	2					
14	91206030005	SEAL,OIL	1					
15	80602110520	RING,RITAINING	2		R52			
16	90101206012	BOLT	1		M6X12			
17	36400095130	WASHER	1					
18	90191208014	BOLT	3		M8X14			
19	90191208020	BOLT	4		M8X20			
20	90302040801	WASHER,SPRING	7		8			
22	36401945060	PACKING (FOR CASE)	1					
23	36401945070	BOLT	6					
24	90267401000	NUT	6		M10			
25	90302041001	WASHER,SPRING	6		10			
27	90191208025	BOLT	2		M8X25			
50	36402130000	POWER TAKE OFF ASSY	1					
60	31791220100	SUPPORT	1					
100	31792250000	POWER TAKE OFF	1					

TM-ZR230 41110210880A FRAME/STD,REMOTE-RADIO CONT.,HOOK-IN

Pos No.	Parts No	Parts Name	Qty	Unit	Technical Data	Serial No (Start)	Serial No (End)	Remarks
1	36402470510	CASE	1					
2	36402470520	GEAR	1					
3	36402480510	SHAFT	1					
4	36401125040	SLEEVE	1					
5	36401125050	SHIFTER SET	1					
6	36400095110	PACKING	1					
7	36400095070	COVER (BEARING)	1					
8	36400095080	PACKING (COVER)	1					
9	36400095090	SHIM	N					
10	36402470540	COLLAR	1					
11	80500006903	BEARING,BALL	1					
12	36401125080	BEARING,ROLLER	2					
13	36401125090	BEARING,NEEDLE	1					
14	91206030005	SEAL,OIL	1					
15	36401125100	RING,RETAINING	1					
16	90191208020	BOLT	4		M8X20			
17	90191208014	BOLT	3		M8X14			
18	90302040801	WASHER,SPRING	7		8			
20	36402015020	PACKING	2					
21	36402035040	BOLT	1		M10X1.5X120			
22	36402035050	BOLT	1		M10X1.5X110			
23	90191210050	BOLT	2		M10X50			
24	36402035010	BOLT,STUD	1					
25	36402035020	BOLT,STUD	1					
26	90267201000	NUT	2		M10			
27	90302041001	WASHER,SPRING	6		10			
28	36402470550	SPACER	1					
30	90191208025	BOLT	2		M8X25			
50	36402480000	POWER TAKE OFF ASSY	1					
60	31790990100	SUPPORT	1					
100	31792380000	POWER TAKE OFF	1					

TM-ZR230 41110210880A FRAME/STD,REMOTE-RADIO CONT.,HOOK-IN

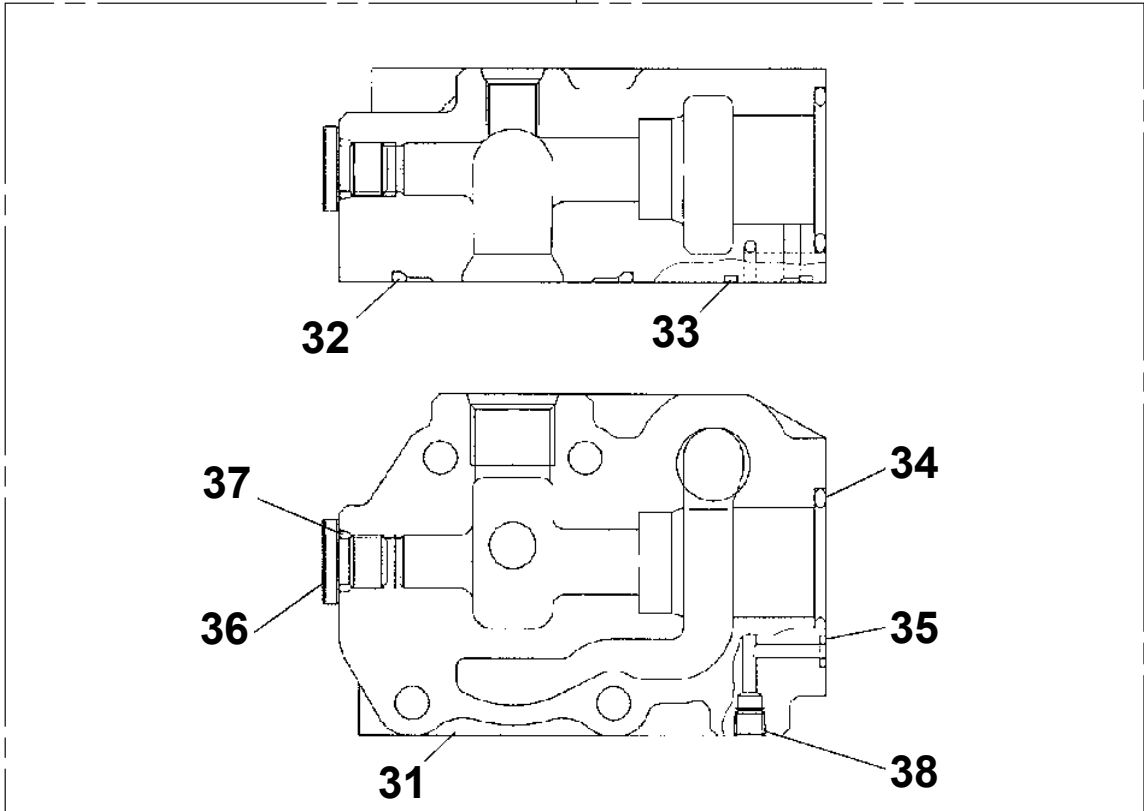
Pos No.	Parts No	Parts Name	Qty	Unit	Technical Data	Serial No (Start)	Serial No (End)	Remarks	Pages
1	31631221000	PLATE	1						
2	90171112022	BOLT	2		M12X22				
3	31631222000	CAP	1						
4	90302041201	WASHER,SPRING	2		12				

TM-ZR230 41110210880A FRAME/STD,REMOTE-RADIO CONT.,HOOK-IN

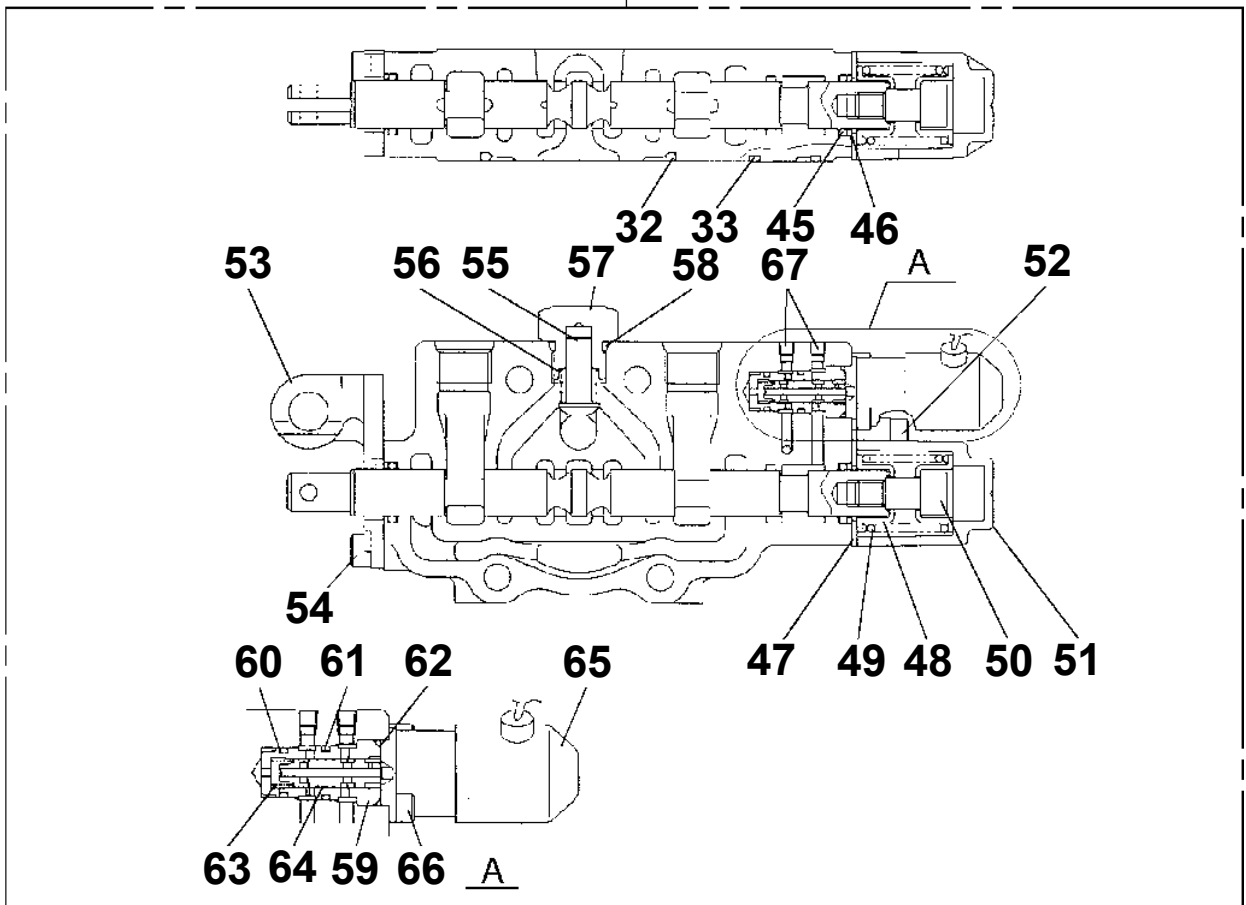
Pos No.	Parts No	Parts Name	Qty	Unit	Technical Data	Serial No (Start)	Serial No (E
1	36635825010	COVER (FRONT)	1				
2	36635825020	VALVE,RELIEF	1				
3	36635825080	VALVE,CONTROL (JACK)	2				
4	91001205500	O-RING	3		1A G55		
5	36635825040	COVER (BOTTOM)	1				
12	36635785090	SEAL,DUST	4		3/8		
13	36635825050	BRACKET	1				
23	12635101110	SPRING (RETURN)	1				
26	12635101140	SPRING	1				
28	11629431040	PACKING	2				
31	16623320390	TUBE (SEAL)	1				
32	91002802100	O-RING	1		1B P21		
33	91001102600	O-RING	1		1A P26		
43	36633365040	CAP (RETURN SPRING)	2				
44	36633365050	SPRING (RETURN)	2				
45	36645495210	SEAT,SPRING (RETURN)	4				
47	36635825090	ADAPTER	2				
48	36635825070	LINK	2				
50	12635101190	SPRING	2				
51	36633365090	CAP (CHECK VALVE)	2				
52	36633365100	SEAL,OIL	4				
53	91001101400	O-RING	2		1A P14		
100	36635820000	VALVE,MANUAL CONTROL (REAR JACK)	1				

TM-ZR230 41110210880A FRAME/STD,REMOTE-RADIO CONT.,HOOK-IN
PB1320528-01 VALVE,MANUAL CONTROL (NABCO)

1



2



TM-ZR230 41110210880A FRAME/STD,REMOTE-RADIO CONT.,HOOK-IN

Pos No.	Parts No	Parts Name	Qty	Unit	Technical Data	Serial No (Start)	Serial No (End)	Remarks	Pa
1	37002456880	HOSE	2		L=400				
2	91002801400	O-RING	14		1B P14		ET3408		
	91002801400	O-RING	8		1B P14	ET3409			
3	37002459280	HOSE	1		L=1050				
4	37002459290	HOSE	1		L=1100				
5	37000804110	JOINT	1						
6	91803880070	CLIP	2		D=13.1-16.2				
7	37002500640	HOSE	1		L=400				
8	80481103030	JOINT	6		L,G3/8-G3/8		ET3408		
	80430620600	JOINT (WITH O-RING)	6		L,G3/8-G3/8	ET3409			
9	37000925030	JOINT	1		PF3/8-PF3/8				
10	37002454090	HOSE	1		L=520				
	37002480130	HOSE	1		L=520				
11	37002480120	HOSE	1		L=490				
	37002454100	HOSE	1		L=480 TO 490				
12	31340310100	JOINT	1						
13	37000923490	JOINT	1				ET3408		
	37000931690	JOINT	1			ET3409			
14	37000920980	JOINT	2		PF3/8-PF3/8				
31	91002801400	O-RING	6		1B P14	ET3409			

TM-ZR230 41110210880A FRAME/STD,REMOTE-RADIO CONT.,HOOK-IN

Pos No.	Parts No	Parts Name	Qty	Unit	Technical Data	Serial No (Start)	Serial No (End)	Rema
1	81408000100	PIPE,STEEL	2	M	10X1.2T			
2	81408000100	PIPE,STEEL	2	M	10X1.2T			
3	91803880070	CLIP	2		D=13.1-16.2			
4	91803600200	CLIP	1		D=13-20			
5	91810130270	FASTENER	3					
6	31641800300	COVER	1					
7	91810130240	FASTENER	4					
8	90101208055	BOLT	2		M8X55			
9	37005700140	CLAMP	2					
10	90201200800	NUT	2		M8			
11	90302040801	WASHER,SPRING	2		8			
12	90303070801	WASHER,PLAIN	2		8			
13	37002503900	HOSE	1		L=1650			
14	37000800740	JOINT	1					
15	91002801100	O-RING	4		1B P11			
16	80302120080	FITTING	8		POA10PF3/8			
17	91002801400	O-RING	13		1B P14			
18	81408000100	PIPE,STEEL	2	M	10X1.2T			
19	81408000100	PIPE,STEEL	2	M	10X1.2T			
21	81408000100	PIPE,STEEL	1	M	10X1.2T			
22	81408000100	PIPE,STEEL	1	M	10X1.2T			
23	90186210014	BOLT,FLANGE	2		M10X14			
24	37000924350	FITTING	4					
25	91803600400	CLIP	2		D=27-40			
26	36672390000	FILTER,OIL (WAKO)	1					
27	91002802900	O-RING	1		1B P29			
30	80481003037	JOINT	4					
31	80400160180	JOINT (WITH O-RING)	1					
32	80481003027	JOINT	1					
51	80400160202	JOINT (FOR RETURN FILTER)	1					
61	37002454740	HOSE	4		L=1260			
62	80491002020	JOINT (WITH O-RING)	4					
63	31644591450	JOINT	2					
64	91810130240	FASTENER	6					
71	91002801400	O-RING	1		1B P14			
81	91002802900	O-RING	1		1B P29			
91	91002801100	O-RING	4		1B P11			

TM-ZR230 41110210880A FRAME/STD,REMOTE-RADIO CONT.,HOOK-IN

Pos No.	Parts No	Parts Name	Qty	Unit	Technical Data	Serial No (Start)	Serial No (End)	Re
1	31622271002	CASE,OUTER	1					
2	31622142001	CASE,INNER (LEFT)	1					
3	31622143001	CASE,INNER (RIGHT)	1					
4	31622149510	SUPPORT ASSY	1					
5	31622149520	SUPPORT ASSY	1					
6	31622140100	COVER	2					
7	90101206010	BOLT	6		M6X1.0			
8	90302040601	WASHER,SPRING	6		6			
9	90172110025	BOLT,HEXAGON SOCKET	8		M10X25			
10	90302041001	WASHER,SPRING	8		10			
11	(*****)	CYLINDER,JACK (REAR)	2					
12	90201201600	NUT	2		M16			
13	90720716400	SCREW,SET	2		M16X40			
14	31622140200	COVER	4					
15	31622140300	PLATE	4					
16	90191208014	BOLT	8		M8X14			
17	90302040801	WASHER,SPRING	8		8			
18	82455106000	NIPPLE,GREASE	4		A-M6F FE			
19	31622140400	PIN	2					
20	37001200720	SPRING	2					
21	37003100020	GRIP	2					
22	80136332025	PIN,SPLIT	8		3.2X25			
23	80530000225	BEARING,BALL (KOYO)	4				ET4714	
	31620582020	BEARING,BALL (KOYO)	4			ET4715		
24	37000157880	PIN	4					
25	82400000459	CAP	4					
26	90171210030	BOLT	2		M10X30			
27	90203201000	NUT	2		M10			
28	31622140640	PLATE	2					
29	(*****)	PIPING,REAR JACK (2,ROTARY)	1					
30	31622140501	SUPPORT	2					
31	31622140601	SUPPORT	2					
32	31622140700	SUPPORT	2					
52	31622141200	PIN ASSY	2					
54	82400000204	GROMMET	4		L=320			

TM-ZR230 41110210880A FRAME/STD,REMOTE-RADIO CONT.,HOOK-IN

Pos No.	Parts No	Parts Name	Qty	Unit	Technical Data	Serial No (Start)	Serial No (E
1	91001101000	O-RING	2		1A P10		
2	90172110040	BOLT,HEXAGON SOCKET	2		M10X40		
3	36623930000	VALVE,PILOT CHECK	1				
4	90174110025	BOLT	2		M10X25		
5	80491002020	JOINT (WITH O-RING)	2				
6	36036260000	CYLINDER,JACK (WELDED STRUCTURE)	1				
	36036550000	CYLINDER,JACK (FRICTION-WELDED)	1				
	36033740000	CYLINDER,JACK (COLD-FORGED)	1				
7	37000572180	PLATE	2				
8	99183705012	BOLT,HEXAGON SOCKET	2		M5X12		
9	31612502000	COVER	1				
10	80189305008	SCREW,MACHINE	1		M5X8		
31	91002801100	O-RING	2		1B P11		

TM-ZR230 41110210880A FRAME/STD,REMOTE-RADIO CONT.,HOOK-IN

Pos No.	Parts No	Parts Name	Qty	Unit	Technical Data	Serial No (Start)	Serial No (E
1	36031780100	CYLINDER	1				
2	90211203000	NUT	1		M30X3/2		
3	36032110300	PISTON	1				
4	91350207500	BEARING,PLAIN (WITH PACKINGX2)	1				
5	91002903000	O-RING	1		1B G30		
6	36010130080	COVER,ROD	1				
7	91002907000	O-RING	1		1B G70		
8	91694006000	PACKING	1				
9	91660006001	SEAL,DUST	1				
10	36036261000	ROD	1				
20	36033749900	PACKING SET	1		60X75		
50	36036260000	CYLINDER,JACK (WELDED STRUCTURE)	1				

TM-ZR230 41110210880A FRAME/STD,REMOTE-RADIO CONT.,HOOK-IN

Pos No.	Parts No	Parts Name	Qty	Unit	Technical Data	Serial No (Start)	Serial No (End)
1	90191208030	BOLT	3		M8X30		
2	90201200800	NUT	3		M8		
3	90302040801	WASHER,SPRING	5		8		
4	36635820000	VALVE,MANUAL CONTROL (REAR JACK)	1				
5	37002511060	HOSE	1		L=1280		
6	37002450070	HOSE	1		L=1400		
7	91810132530	FASTENER	4				
8	81408000130	PIPE,STEEL	4	M	10X1.8T		
9	37000561880	SUPPORT	3				
10	37000711410	CLAMP ASSY	3		12-4		
11	37000300720	SLEEVE	12		12-10		
12	80400160203	JOINT (WITH O-RING)	1				
13	80400160182	JOINT (WITH O-RING)	2				
14	91803600400	CLIP	2		D=27-40		
15	80400160128	JOINT	4		S,G3/8-G1/4		
16	91002801400	O-RING	4		1B P14		
17	80430620800	JOINT	2				
18	80320010050	FITTING	8		KUD10-020N		
19	80430620400	JOINT	4				
20	37002413240	HOSE	6		L=500		
21	37002428090	HOSE	2		L=1280		
22	82100002039	CLAMP	2				
23	90101208012	BOLT	2		M8X12		
24	91002801800	O-RING	1		1B P18		
26	37000924110	JOINT	1		S,G1/2-G1/2		
41	91002802900	O-RING	1		1B P29		
51	91002801800	O-RING	4		1B P18		
71	91002801100	O-RING	4		1B P11		

TM-ZR230 41110210880A FRAME/STD,REMOTE-RADIO CONT.,HOOK-IN

Pos No.	Parts No	Parts Name	Qty	Unit	Technical Data	Serial No (Start)	Serial No
1	80561100080	NUT	1		AN08		
2	80602110800	RING,RITAINING	1		R80		
3	36080495210	SPACER	1				
4	80500006208	BEARING,BALL	1				
5	36080495220	WORM	1				
6	36080755030	BEARING,NEEDLE	1		BK3020+IR25*30*18		
7	36080495090	GAUGE,OIL	1				
8	36080235080	WASHER,SEAL	1		M16		
9	80316090060	PLUG	1		KKT PT3/8		
10	80561100070	NUT	1		AN07		
15	91206055002	SEAL,OIL	1				
16	36080495042	CASE,GEAR	1				
17	80513006308	BEARING,BALL	1				
18	36080495050	BOLT,SEMS (M10X25,WITH WASHER)	6				
19	36080015000	PIN	2				
20	36080495060	KEY	1				
21	36080495070	WHEEL,WORM	1				
22	36080495230	CASE,GEAR	1				
23	80500006207	BEARING,BALL	1				
51	36081775500	GEAR,SPUR	1				
100	36081770000	REDUCER,SWING SPEED	1				

CLICK HERE TO **DOWNLOAD** THE COMPLETE MANUAL

- Thank you very much for reading the preview of the manual.
- You can download the complete manual from: www.heydownloads.com by clicking the link below



- Please note: If there is no response to CLICKING the link, please download this PDF first and then click on it.

CLICK HERE TO **DOWNLOAD** THE COMPLETE MANUAL

TM-ZR230 41110210880A FRAME/STD,REMOTE-RADIO CONT.,HOOK-IN

Pos No.	Parts No	Parts Name	Qty	Unit	Technical Data	Serial No (Start)	Serial No (End)	Remarks
1	31310237510	GEAR,SPUR	1					
2	31310005010	PIN	2					
3	31310707510	DRUM	1					
4	80516006306	BEARING,BALL	1					
5	80516006206	BEARING,BALL	1					
6	31310617520	BOLT,HEXAGON SOCKET	4		M10X25			
7	90302041001	WASHER,SPRING	4		10			
20	31310701000	DRUM,WINCH (HARTYS)	1					

TM-ZR230 41110210880A FRAME/STD,REMOTE-RADIO CONT.,HOOK-IN

Pos No.	Parts No	Parts Name	Qty	Unit	Technical Data	Serial No (Start)	Serial No (End)
1	(*****)	HOOK	1				
2	(*****)	PLATE ASSY,NAME (1-PART LINE OPE.)	1				
3	(*****)	DETECTOR,OVER WINDING	1				

TM-ZR230 41110210880A FRAME/STD,REMOTE-RADIO CONT.,HOOK-IN

Pos No.	Parts No	Parts Name	Qty	Unit	Technical Data	Serial No (Start)	Serial No (End)	Remark
1	36131315010	PLATE (BASE)	1					
2	36131745020	CASE	1					
3	36131745030	DRUM ASSY	1					
4	32360005050	RING,SLIP	1					
5	32360005060	CONTACTOR ASSY	1					
6	36131745040	CASE	1					
7	36131745050	PACKING	1					
8	91001209000	O-RING	1		1A G90			
9	36131745060	BRACKET	1					
10	36131745010	POTENTIOMETER	1					
11	36130915030	SEAL	1					
12	36131745070	GEAR	1					
13	82100000192	TERMINAL	1					
14	36161185010	CAP	1					
15	82100000191	TERMINAL	1					
16	36131625050	CAP	1					
17	31370005080	GUIDE (CORD)	1					
18	36131745080	CORD ASSY	1					
19	82100001406	CONNECTOR (SEAL)	1					
20	36130795030	STOPPER	2					
31	36131745090	CORD	13	M				
100	36131740000	DETECTOR,BOOM LENGTH	1					

TM-ZR230 41110210880A FRAME/STD,REMOTE-RADIO CONT.,HOOK-IN

Pos No.	Parts No	Parts Name	Qty	Unit	Technical Data	Serial No (Start)	Serial No (End)	Remarks
2	36116551300	CUSHION	1					
4	36190831930	BOARD,CIRCUIT	1					
5	36190831940	HARNESS	1					
11	36190831800	COVER	1					
21	36194655010	CPU UNIT (WITH DATA)	1					
100	36194650000	MOMENT LIMITER (BML)	1					

TM-ZR230 41110210880A FRAME/STD,REMOTE-RADIO CONT.,HOOK-IN

Pos No.	Parts No	Parts Name	Qty	Unit	Technical Data	Serial No (Start)	Serial No (End)	Remarks	Page
13	36662185010	KEY (FEATHER)	1						
40	36662415020	SEAL KIT	1						
100	36663640000	MOTOR,HYDRAULIC	1						

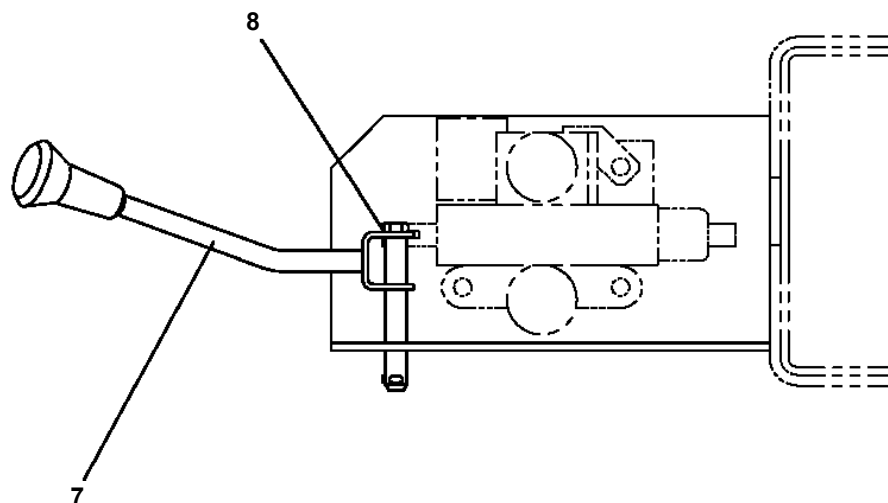
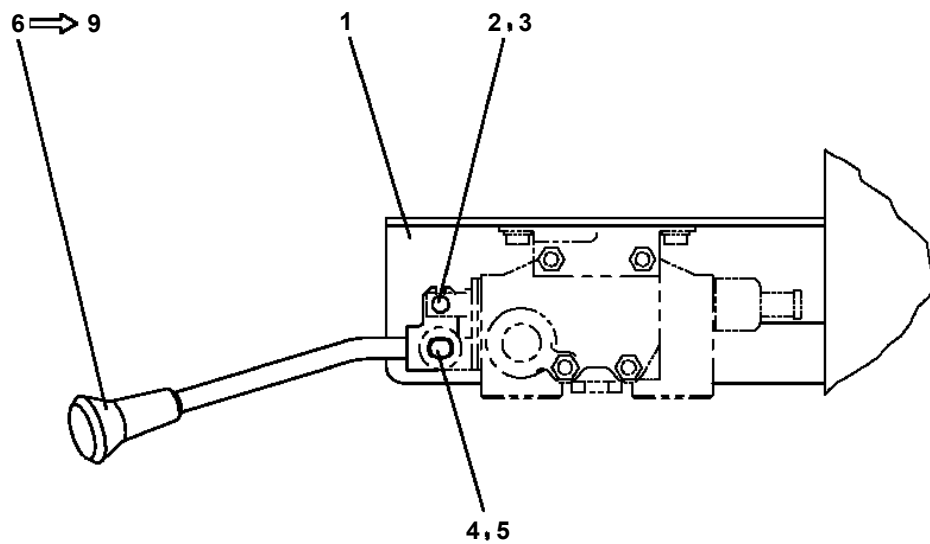
TM-ZR230 41110210880A FRAME/STD,REMOTE-RADIO CONT.,HOOK-IN

Pos No.	Parts No	Parts Name	Qty	Unit	Technical Data	Serial No (Start)	Serial No (End)	Remarks
1	36672590000	FILTER,OIL (CARTRIDGE)	1					
3	36672395020	COVER,HEAD	1					
10	36672390000	FILTER,OIL (WAKO)	1					

TM-ZR230 41110210880A FRAME/STD,REMOTE-RADIO CONT.,HOOK-IN

Pos No.	Parts No	Parts Name	Qty	Unit	Technical Data	Serial No (Start)	Serial No (End)	Re
1	(*****)	MOUNT (PLATE/VALVE,SOLENOID)	1					
2	(*****)	PIPING	1					
3	(*****)	ELEC.ASSY	1					

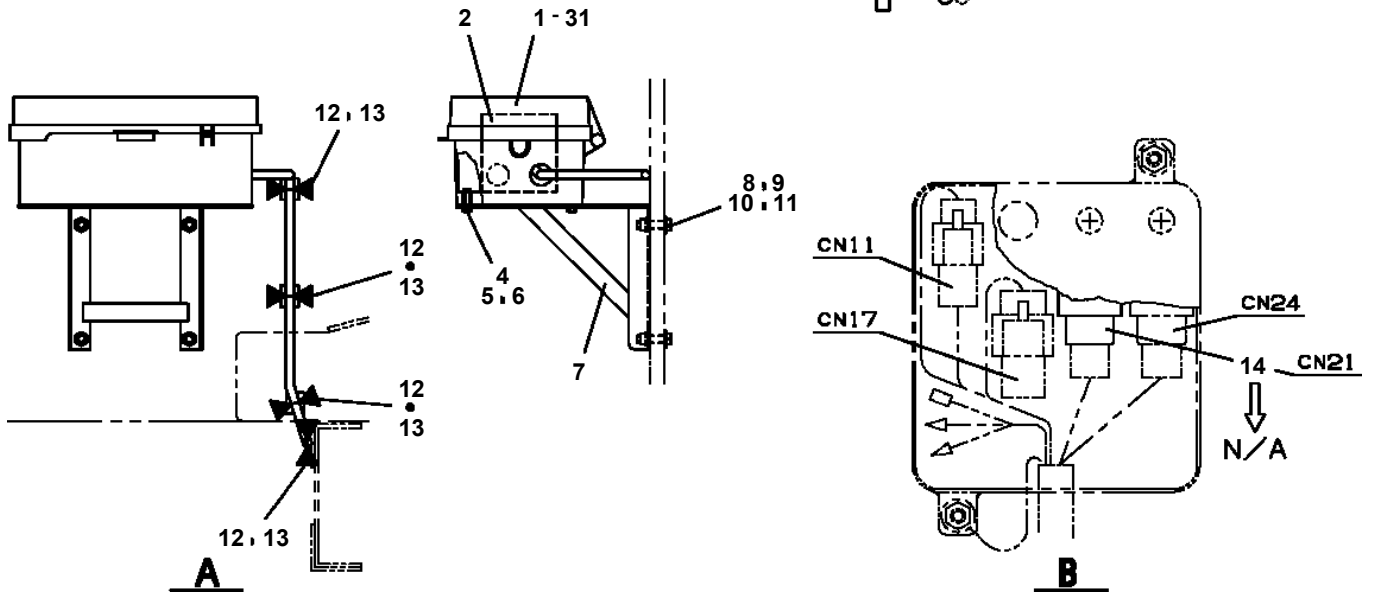
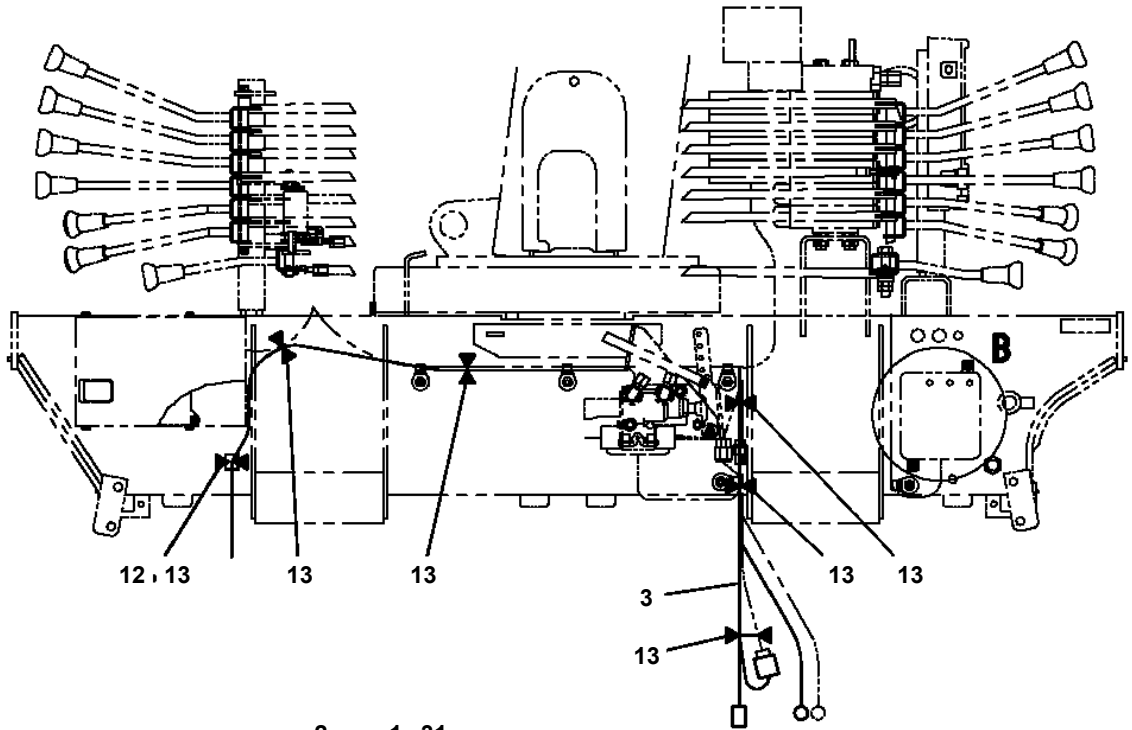
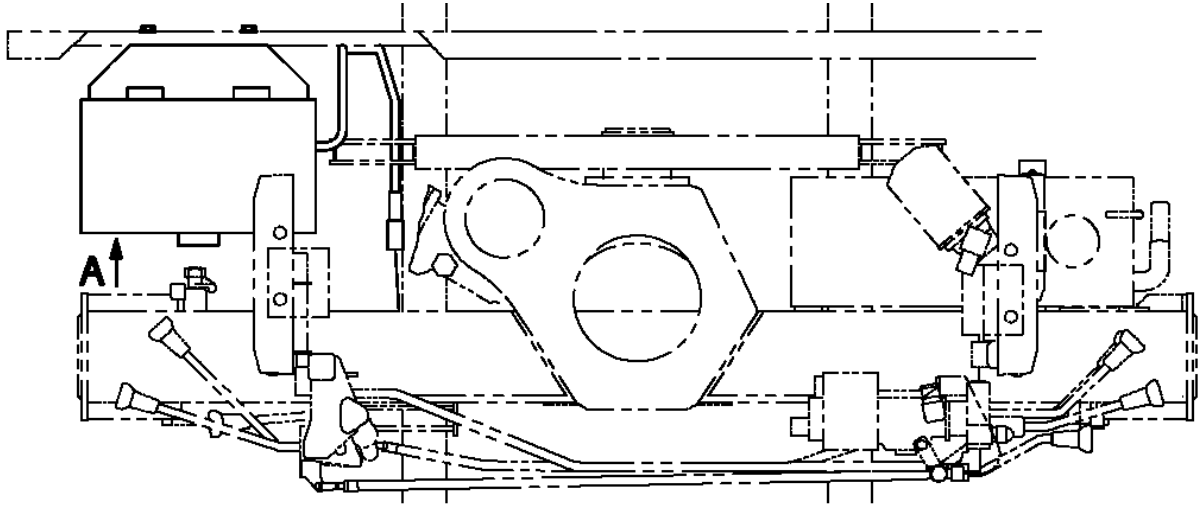
TM-ZR230 41110210880A FRAME/STD,REMOTE-RADIO CONT.,HOOK-IN
PL1010734-01 OPE.ASSY,CONT.VALVE (POWER SUPPLY)



TM-ZR230 41110210880A FRAME/STD,REMOTE-RADIO CONT.,HOOK-IN

Pos No.	Parts No	Parts Name	Qty	Unit	Technical Data	Serial No (Start)	Serial No (End)	Remarks	P
1	36662355010	SHAFT	1						
2	80500006205	BEARING,BALL	1						
4	91001004800	O-RING	1		S48				
5	36661915020	HOLDER (OIL SEAL)	1						
6	91252102500	SEAL,OIL	1						
7	36661915030	PLATE (HOLDER)	1						
8	36662255070	RING,RETAINING	1		R52				
9	36662355030	RETAINER	1						
10	36662355040	PLATE (CAM)	1						
11	36660275010	BEARING,THRUST	1						
12	36663985010	PLATE,THRUST	1						
13	36663985020	SPRING	1						
14	36662355071	BARREL,CYLINDER	1						
15	36663985030	COVER,END	1						
16	36663985040	BEARING,NEEDLE	1						
17	36662355110	PIN	2						
18	91001008500	O-RING	1		S-85				
19	36662355120	PLATE	1						
20	36663985050	BOLT (M8X30)	6						
21	36644115130	PLUG	1						
22	91001101100	O-RING	1		1A P11				
24	36663985060	SCREW	2						
25	12413305020	KEY	1						
26	80316030020	PLUG	1		PT1/8				
27	36660125060	PLUG	2		PF3/8				
28	91001102201	O-RING	1		1A P22A				
30	36663955070	PISTON (LOCK)	1						
31	91001101800	O-RING	1		1A P18				
32	91410001800	RING,BACKUP	1		P18				
33	36663955080	SPRING (LOCK)	1						
34	36663955090	CAP (LOCK)	1						
35	36081315130	PROTECTOR (THREAD)	1						
40	36663985070	HOUSING	1						
63	36662355080	SPRING (PLUNGER)	7						
65	36662355090	SPRING (CENTER)	1						
66	12413305490	RING,RETAINING	1						
67	36663985080	BALL,STEEL (15/32)	7						
100	36663980000	MOTOR,OIL	1						

**TM-ZR230 41110210880A FRAME/STD,REMOTE-RADIO CONT.,HOOK-IN
PN1012481-01 ELEC.ASSY (CONVERTER DC12V--DC24V)**

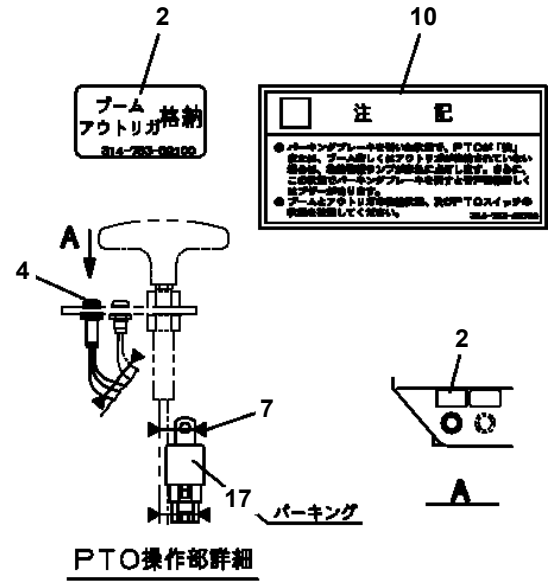
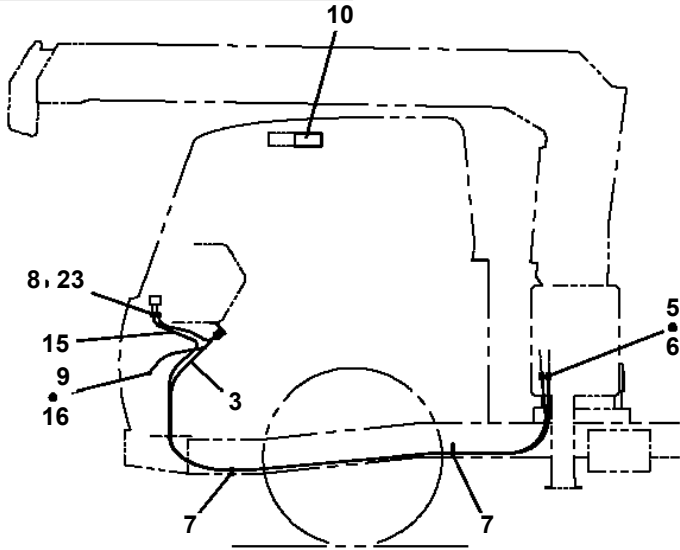


TM-ZR230 41110210880A FRAME/STD,REMOTE-RADIO CONT.,HOOK-IN

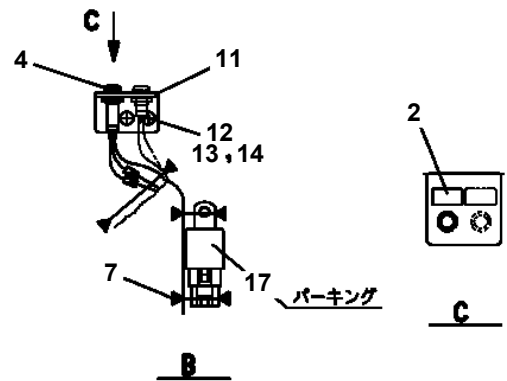
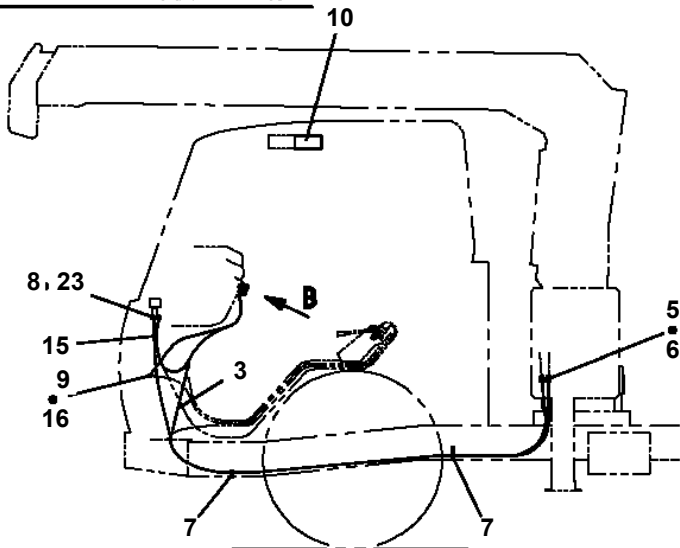
Pos No.	Parts No	Parts Name	Qty	Unit	Technical Data	Serial No (Start)	Serial No (End)
1	91850100802	CLAMP	2				
2	91810130240	FASTENER	18				
3	31360741200	HARNESS	1				
4	31360191200	SUPPORT	1				
5	90203201200	NUT	1		M12		
6	36140470000	DETECTOR,BOOM ANGLE	1				
7	90186206010	BOLT,FLANGE	24		M6X10		
8	31360741300	LAMP ASSY	2				
9	82100002015	CLAMP	2		WRC20		
10	91850310305	CLAMP	5				
11	31360191010	COVER (CORRUGATE TUBE)	1		L=1500		
12	90303070601	WASHER,PLAIN	4		6		
13	82100002596	RELAY	1				
14	90101205010	BOLT	4		M5X10		
15	90302040501	WASHER,SPRING	4		5		
16	31361112100	COVER ASSY	1				
17	31361471100	HARNESS	1				
18	31360741600	SUPPORT	2				
19	31360741700	SUPPORT	1				
20	31653303200	SWITCH ASSY (NIHON AUTOMATIC)	1				
21	82197600101	CAP (BLACK)	1				
22	31652030200	BUZZER ASSY	1				
31	82199444326	LAMP (YELLOW) <24V 12W)	2				
32	31360741310	SUPPORT	2				
41	31361112110	COVER	1				
42	31361112120	PLATE	1				
43	31361112130	SEAL	1				
56	82166136411	BULB,LAMP	2		24V/12W		

TM-ZR230 41110210880A FRAME/STD,REMOTE-RADIO CONT.,HOOK-IN PN1014342-01 ELEC.ASSY (CARRIER)

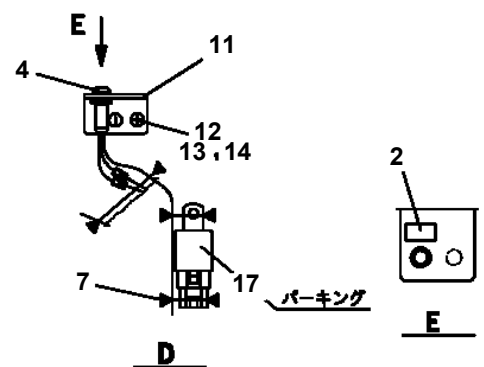
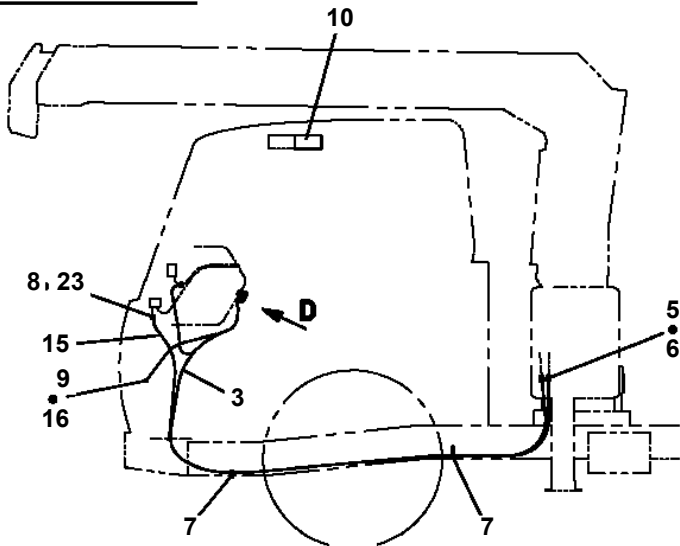
PTOレバーがハンドル横にある場合



PTOレバーが座席横にある場合



純正PTO付きの場合



TM-ZR230 41110210880A FRAME/STD,REMOTE-RADIO CONT.,HOOK-IN

Pos No.	Parts No	Parts Name	Qty	Unit	Technical Data	Serial No (Start)	Serial No (End)	P
1	82101940130	SWITCH,PUSH (3PJW106F-021-CC)	2					
10	31653243300	SWITCH ASSY (PLATING:NACC)	1					

TM-ZR230 41110210880A FRAME/STD,REMOTE-RADIO CONT.,HOOK-IN

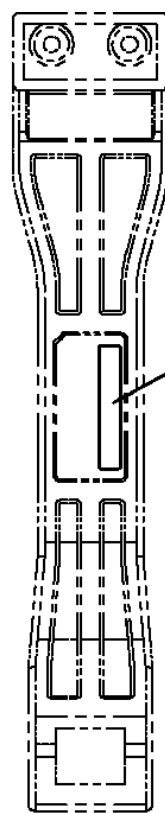
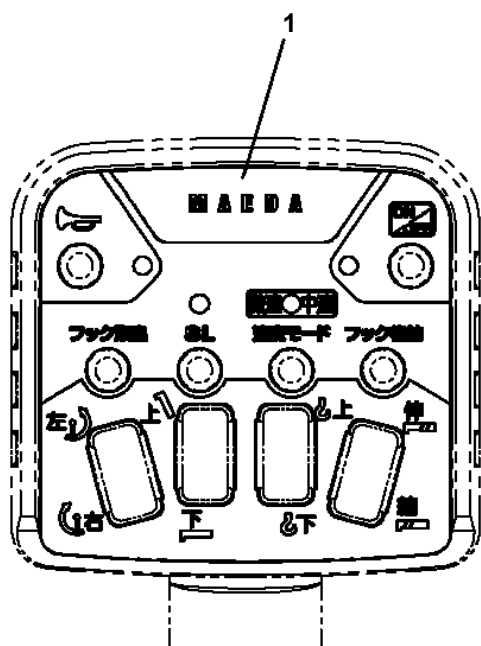
Pos No.	Parts No	Parts Name	Qty	Unit	Technical Data	Serial No (Start)	Serial No (End)
1	82101429241	SWITCH,PUSH (GREEN)	3				
10	31653223300	SWITCH ASSY (GREEN:PANASONIC)	1				

TM-ZR230 41110210880A FRAME/STD,REMOTE-RADIO CONT.,HOOK-IN
PO1000151-00 INDICATION PLATES

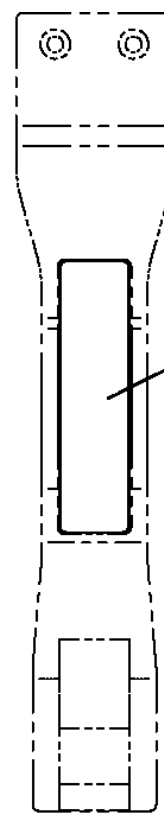
メイパ ン
INDICATION PLATES

〔組立名称一覧〕より選択してください。
SEE THE CORRESPONDING "ASSEMBLY NAME" LIST.

TM-ZR230 41110210880A FRAME/STD,REMOTE-RADIO CONT.,HOOK-IN
PO1014307-00 PLATE ASSY,NAME

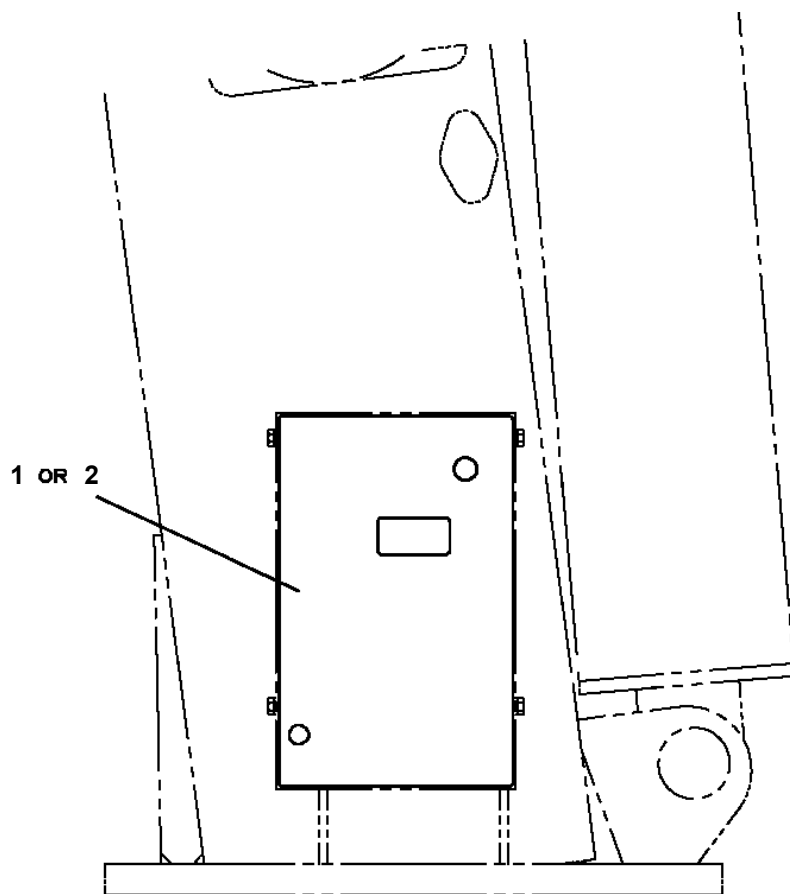


ハンドガード内側

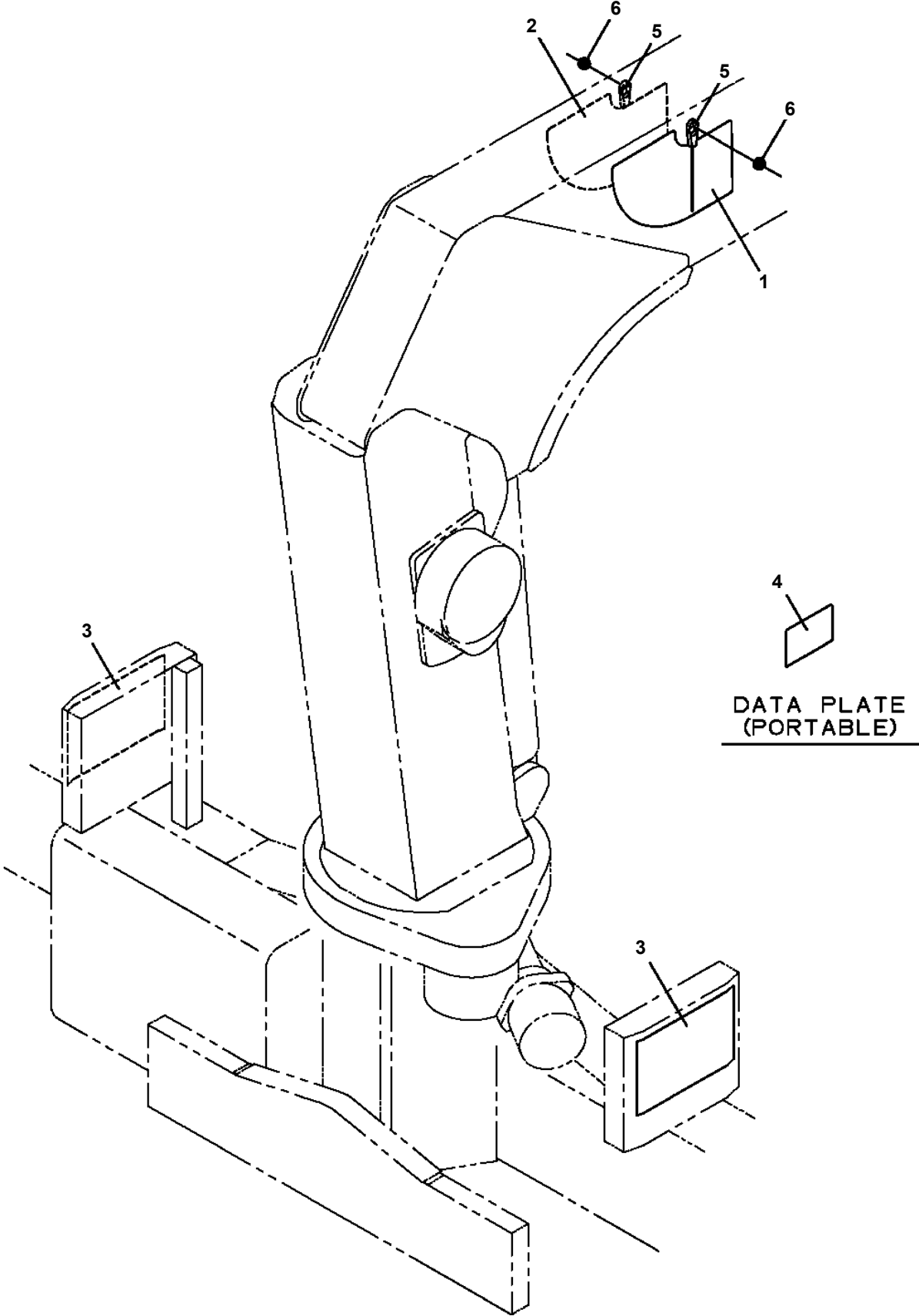


ハンドガード外側

TM-ZR230 41110210880A FRAME/STD,REMOTE-RADIO CONT.,HOOK-IN
PO1014748-00 PLATE ASSY,NAME (FOR FIXING AWL)

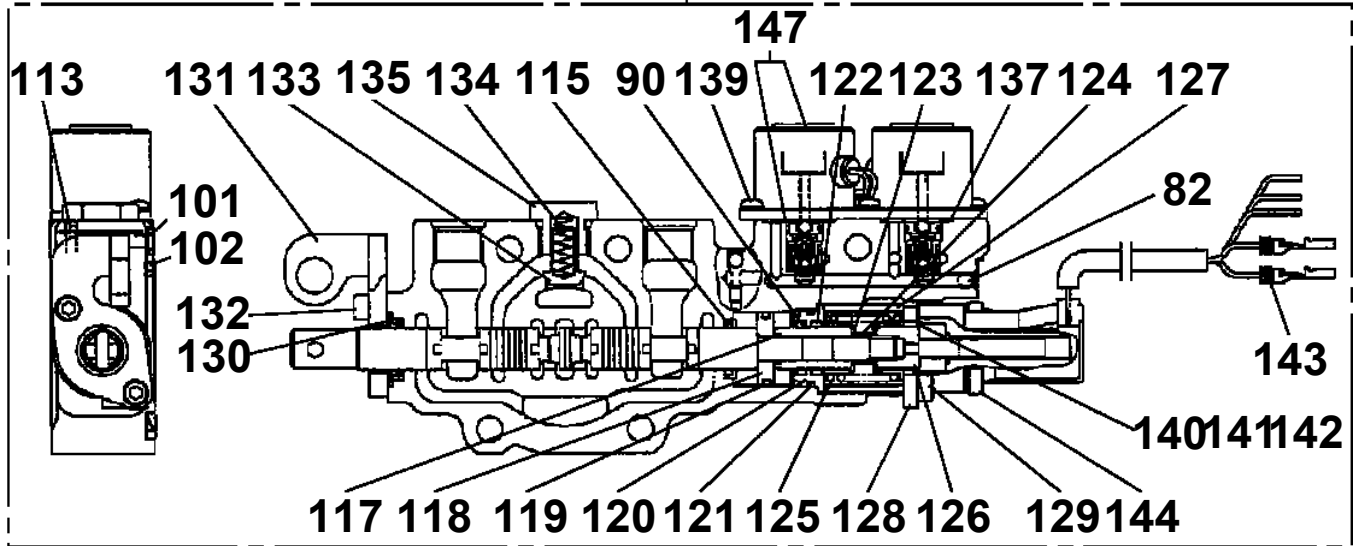


**TM-ZR230 41110210880A FRAME/STD,REMOTE-RADIO CONT.,HOOK-IN
PO1070711-00 PERFORMANCE DATA (ZR234/A)**

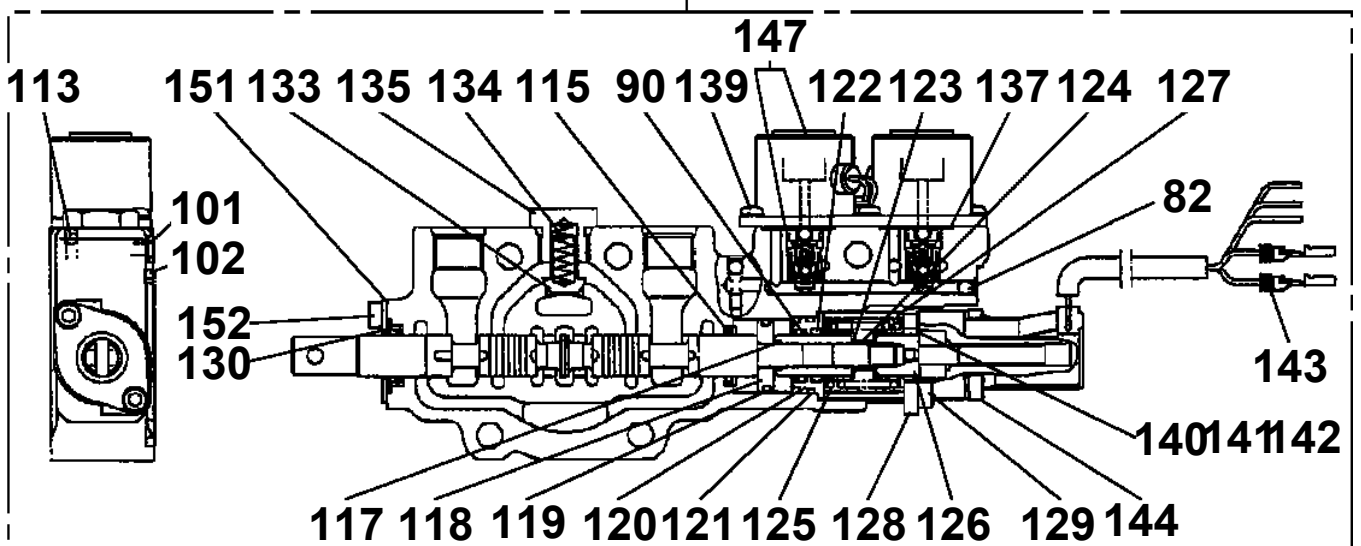


TM-ZR230 41110210880A FRAME/STD,REMOTE-RADIO CONT.,HOOK-IN
 PV1020330-00 VALVE,REMOTE CONTROL

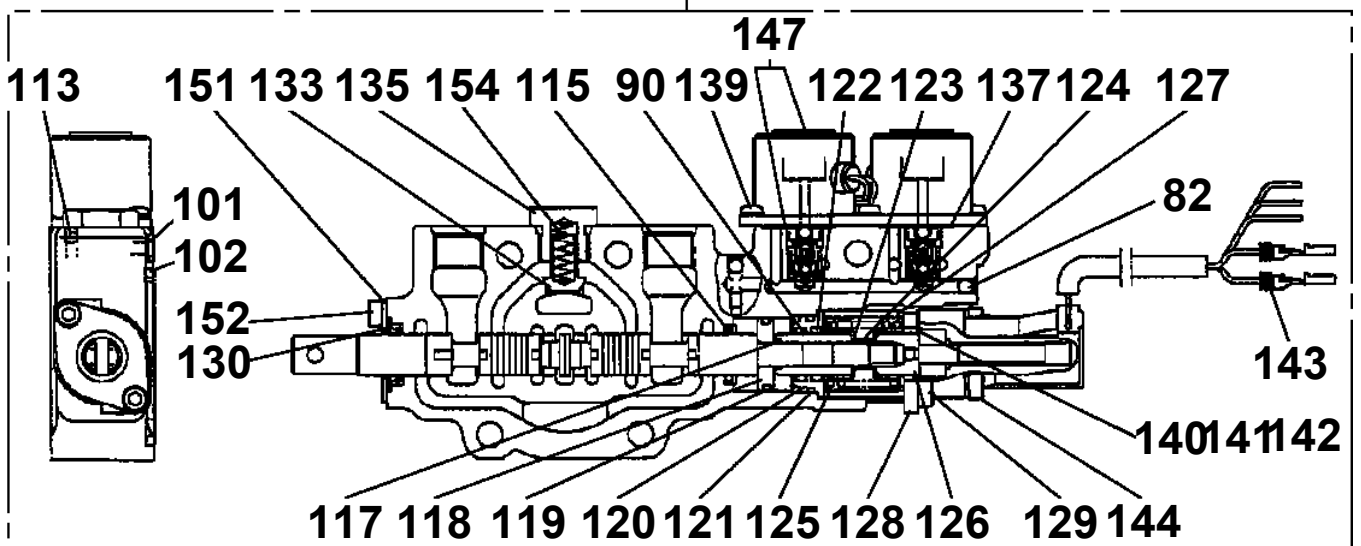
6



7



8



TM-ZR230 41110210880A FRAME/STD,REMOTE-RADIO CONT.,HOOK-IN

Pos No.	Parts No	Parts Name	Qty	Unit	Technical Data	Serial No (Start)	Serial No (End)	Remarks
10	36804915010	O-RING (CASE)	1					
20	36804915020	PIN	1					
21	36804915030	RING	1					
46	36804915060	RUBBER(FRONT)	1					
50	36805005010	PLATE,NAME	1					
57	36804915080	LABEL (SERIAL)	1					
101	36805005020	CASE ASSY(LOWER)	1					
102	36804915100	GUARD ASSY (HAND)	1					
103	36805005040	CABLE ASSY	1					
104	36804915120	LEVER ASSY (TRIGGER)	1					
106	36805005050	PANEL ASSY (INNER)	1					
107	36804915150	SWITCH ASSY	1					
108	36804915160	CASE ASSY (FRONT)	1					
201	36804915170	STRAP	1					
300	36805003000	SWITCH BOX	1					

TM-ZR230 41110210880A FRAME/STD,REMOTE-RADIO CONT.,HOOK-IN

Pos No.	Parts No	Parts Name	Qty	Unit	Technical Data	Serial No (Start)	Serial
1	(*****)	RADIO CONTROL (LED)	1				
2	(*****)	OPE.ASSY,CONT.VALVE(RADIO CONTROL)	1				
3	(*****)	ELEC.ASSY	1				
4	(*****)	PIPING,LOWER (REMOTE CONT.VALVE/SANWA)	1				
5	(*****)	PIPING,LOWER (RADICON./REPLACE FILTER)	1				
6	(*****)	PLATE ASSY,NAME (HOOK-IN/HOOK STOWING)	1				

TM-ZR230 41110210880A FRAME/STD,REMOTE-RADIO CONT.,HOOK-IN

Pos No.	Parts No	Parts Name	Qty	Unit	Technical Data	Serial No (Start)	Serial No (End)
10	36805780000	CABLE (F-REMOTE CONTROL,20M)	1				

TM-ZR230 41110210880A FRAME/STD,REMOTE-RADIO CONT.,HOOK-IN

Pos No.	Parts No	Parts Name	Qty	Unit	Technical Data	Serial No (Start)	S
1	(***** 36095150000	HOOK (1-PART LINE) HOOK (LOCKING)	1 1				
2	(*****	GUIDE,ROPE (RETAINING WIRE ROPE)	1				
3	(*****	DETECTOR,DISORDERLY WIND (WITH COVER)	1				
4	(*****	PLATE (355X355,H=80)	1				
	(*****	PLATE (500X500,H=90)	1				
6	(*****	OUTRIGGER,REAR (ROTARY)	1				
	(*****	OUTRIGGER,REAR (ROTARY,DAY CAB)	1				
7	(*****	POWER SUPPLY (MOUNT)	1				
8	(*****	VALVE,MANUAL CONTROL(DUMP/NIHON SPINDLE)	1				

CLICK HERE TO **DOWNLOAD** THE COMPLETE MANUAL

- Thank you very much for reading the preview of the manual.
- You can download the complete manual from: www.heydownloads.com by clicking the link below



- Please note: If there is no response to CLICKING the link, please download this PDF first and then click on it.

CLICK HERE TO **DOWNLOAD** THE COMPLETE MANUAL