

TM-ZR230 41110210890A FRAME/STD,MANUAL,HOOK-IN
PB000026-02 SYSTEM (ZR230,DOMESTIC)
ASSEMBLY

CLICK HERE TO **DOWNLOAD** THE COMPLETE MANUAL

- Thank you very much for reading the preview of the manual.
- You can download the complete manual from: www.heydownloads.com by clicking the link below



- Please note: If there is no response to CLICKING the link, please download this PDF first and then click on it.

CLICK HERE TO **DOWNLOAD** THE COMPLETE MANUAL

TM-ZR230 41110210890A FRAME/STD,MANUAL,HOOK-IN
PB1020005-00 PUMP ASSY (SELECTION)

- PUMP ASSY
- ポンプASSYの選定

指示番号 key No	PUMP MODEL ポンプ型式番号	RUNNING DIRECTION 回転方向
1	SGP1-30D2H9-LO21	COUNTERCLOCKWISE 左
2	KLP2230ANBST	COUNTERCLOCKWISE 左

[NOTE]

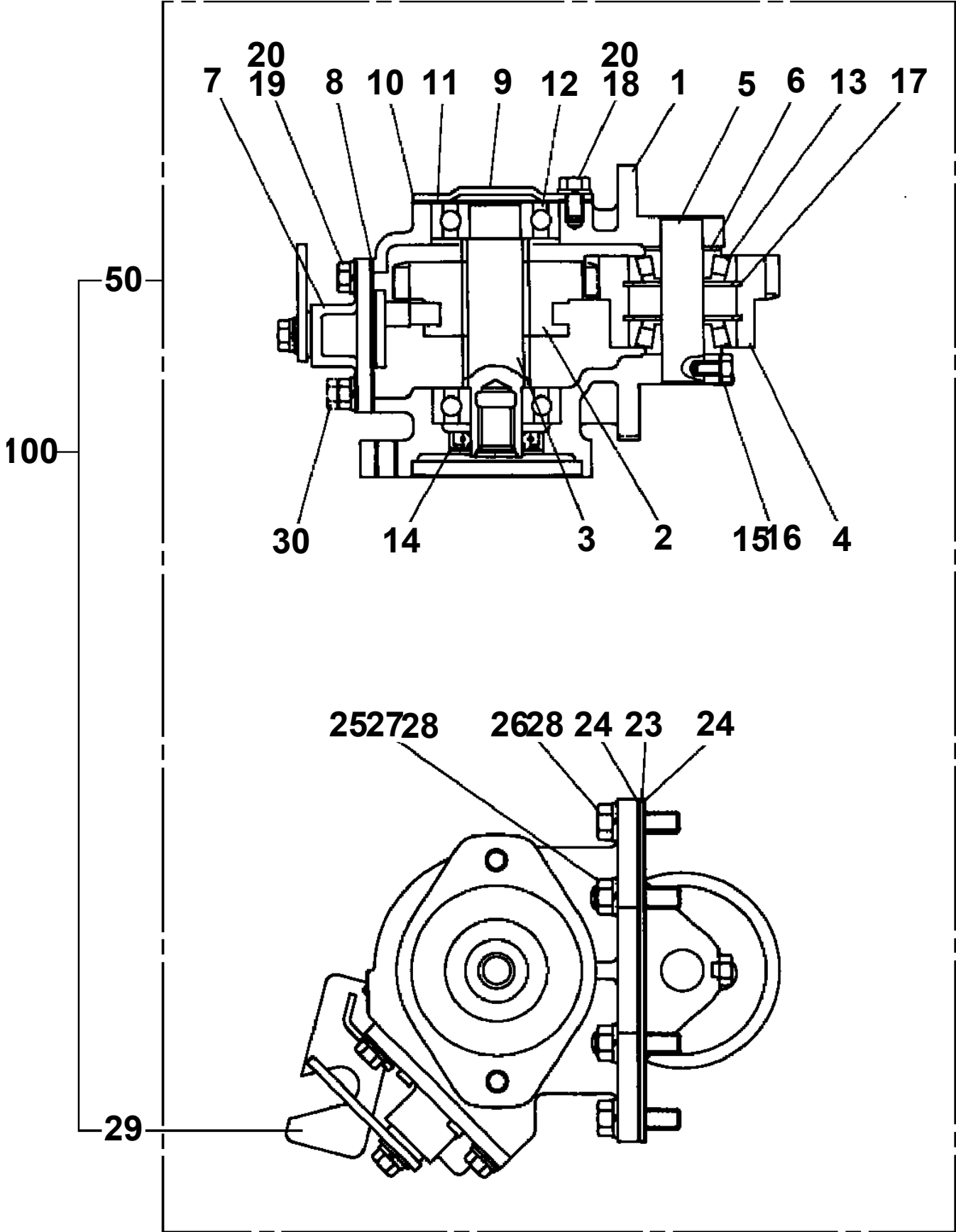
(1) PUMP MODEL NOS. ARE PUNCHED ON PUMP NAMEPLATE.

(2) THE PUMP RUNNING DIRECTION IS VIEWED FROM THE SHAFT TOWARD THE PUMP.

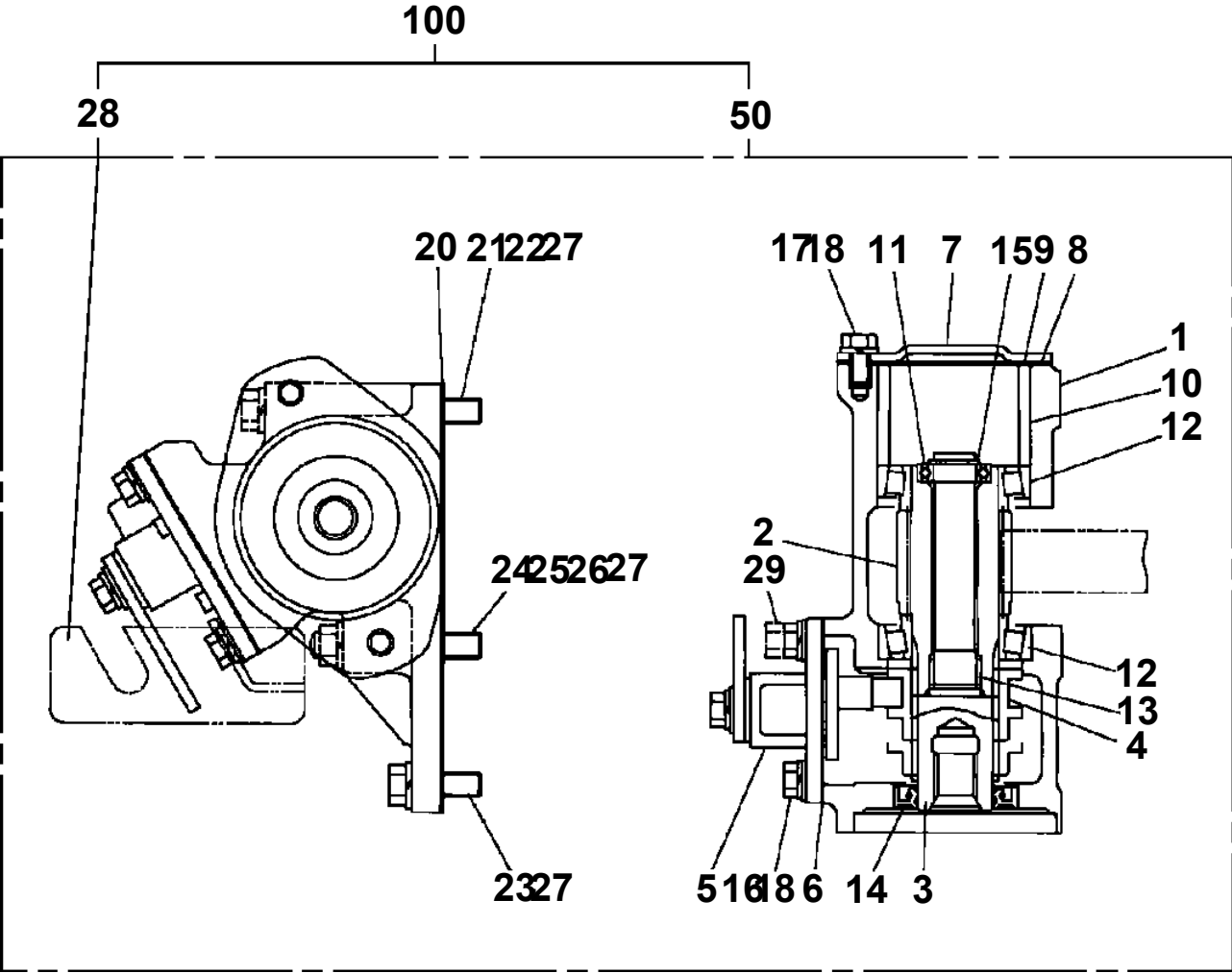
[注 意]

- (1) ポンプ型式番号はポンプ本体の銘板に打刻しています。
- (2) ポンプの回転方向はポンプの軸端から見ての回転方向です。

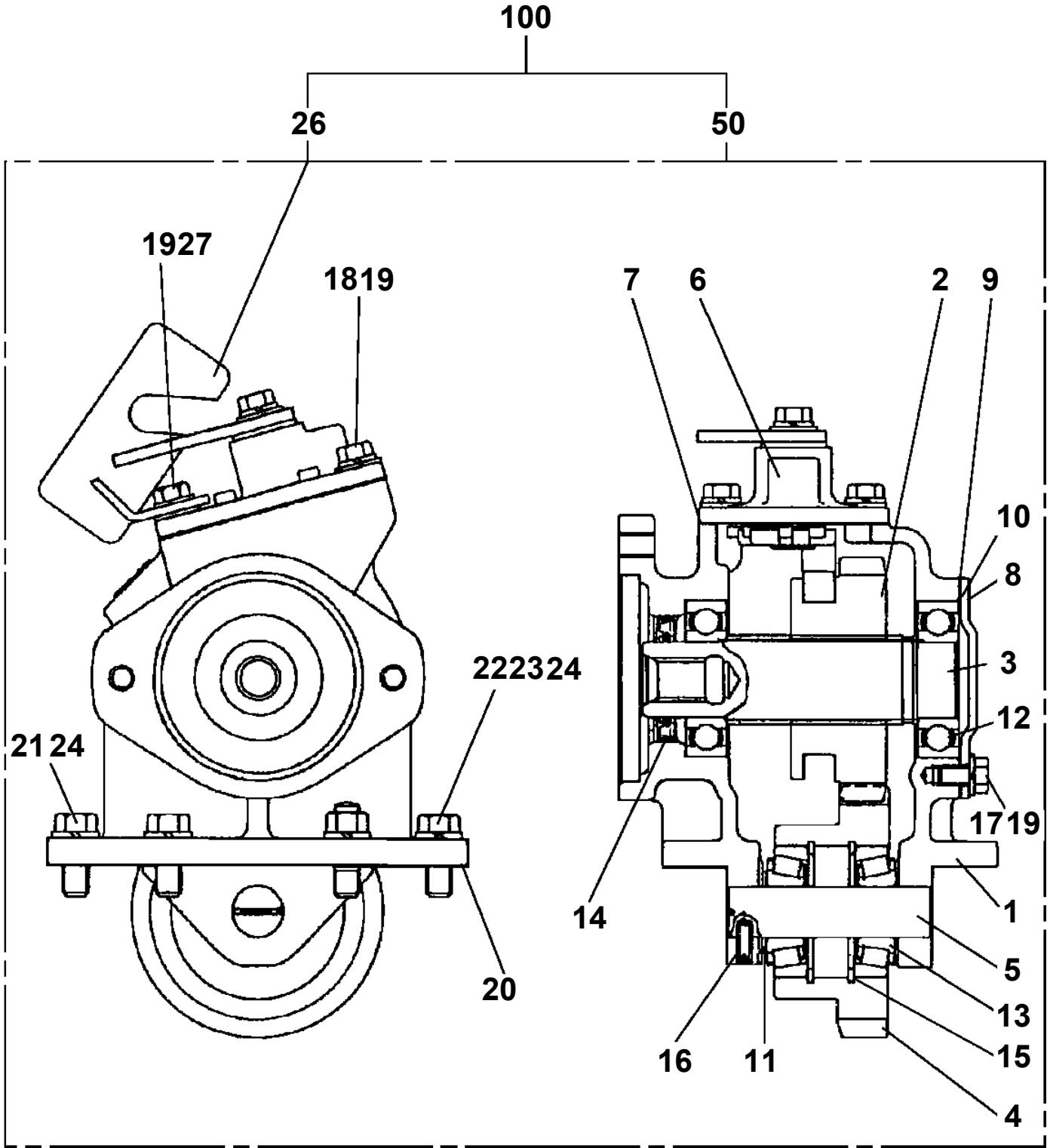
TM-ZR230 41110210890A FRAME/STD,MANUAL,HOOK-IN
PB1030100-01 POWER TAKE OFF



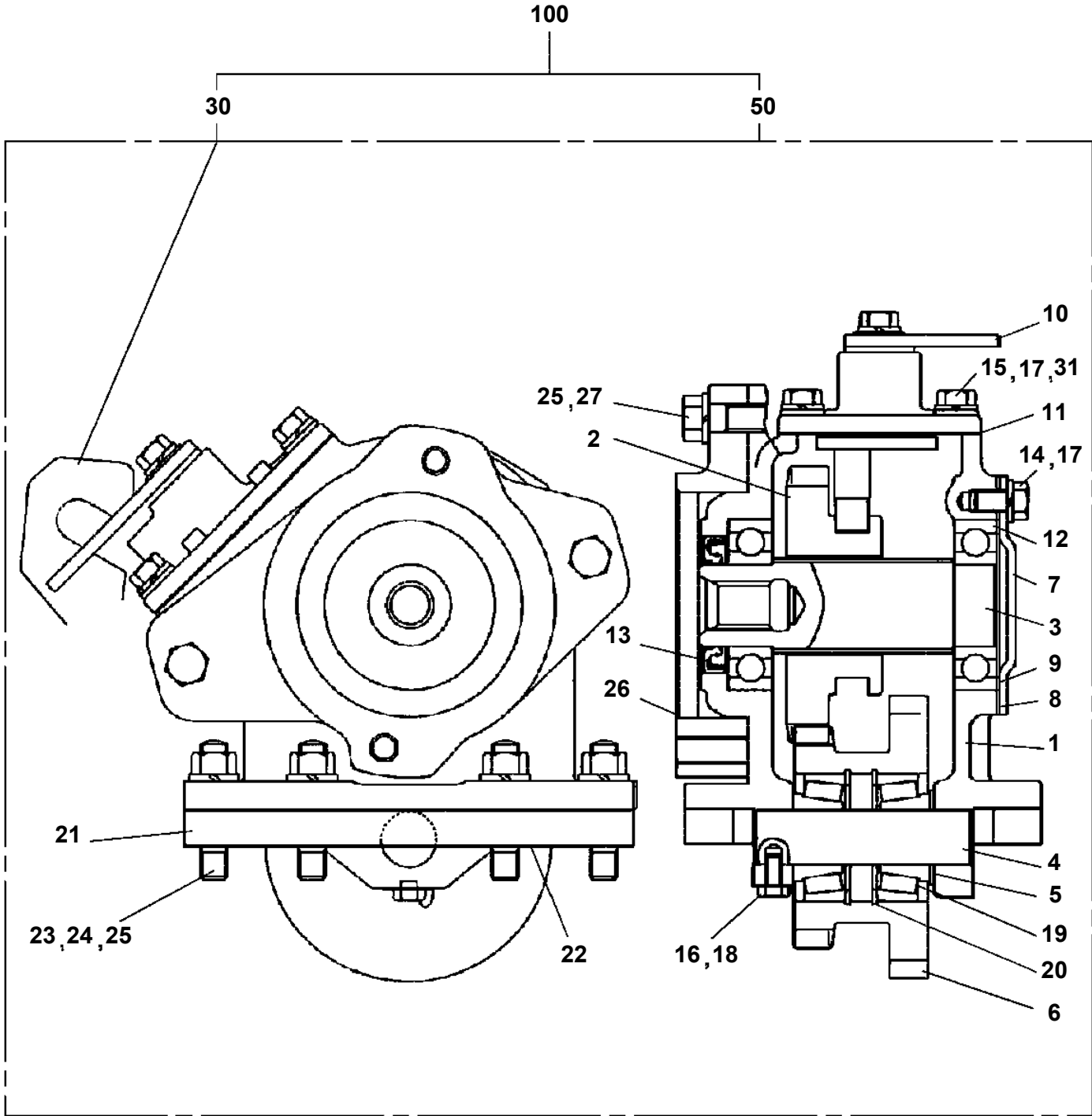
TM-ZR230 41110210890A FRAME/STD,MANUAL,HOOK-IN
PB1030132-01 POWER TAKE OFF



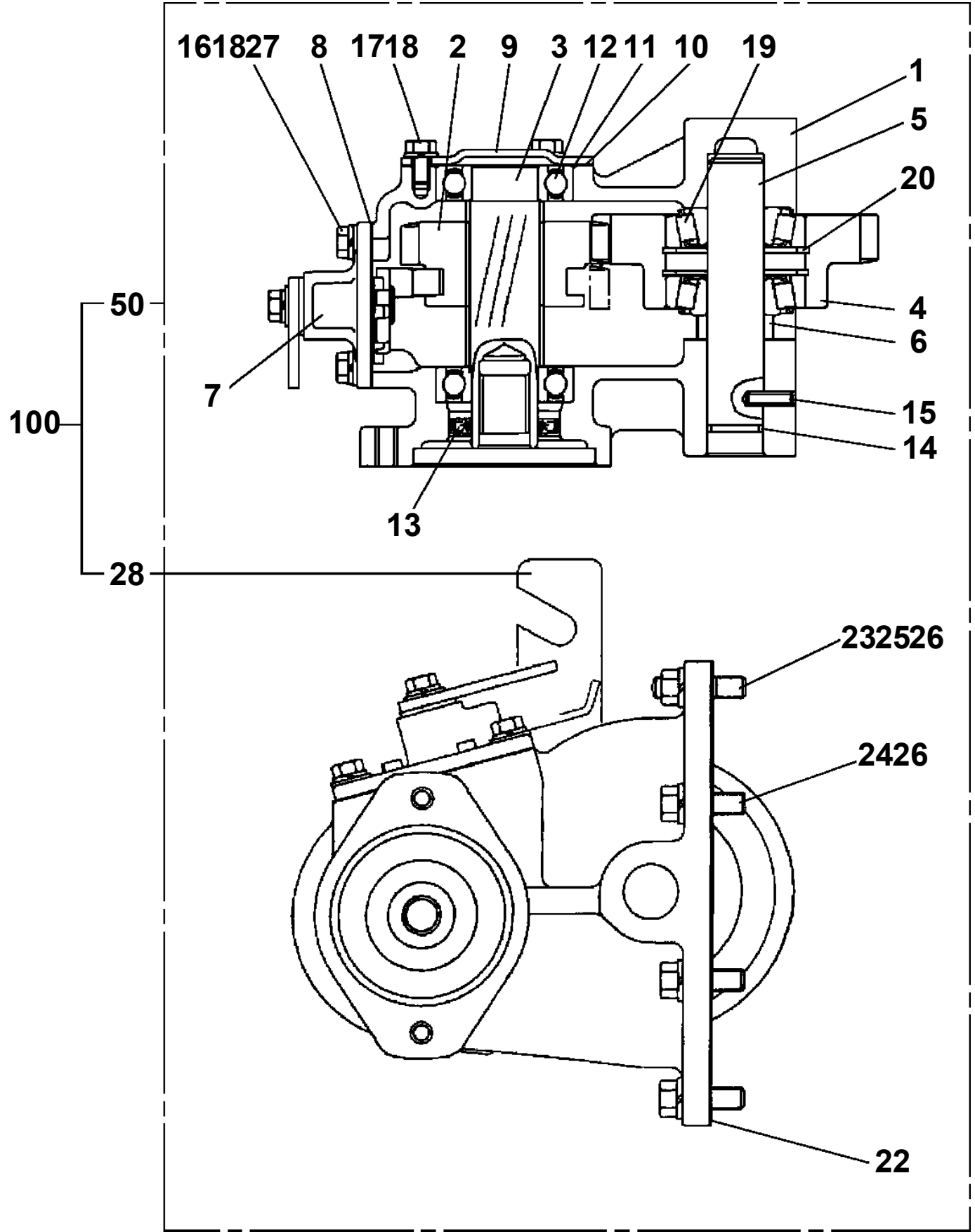
TM-ZR230 41110210890A FRAME/STD,MANUAL,HOOK-IN
PB1030165-01 POWER TAKE OFF



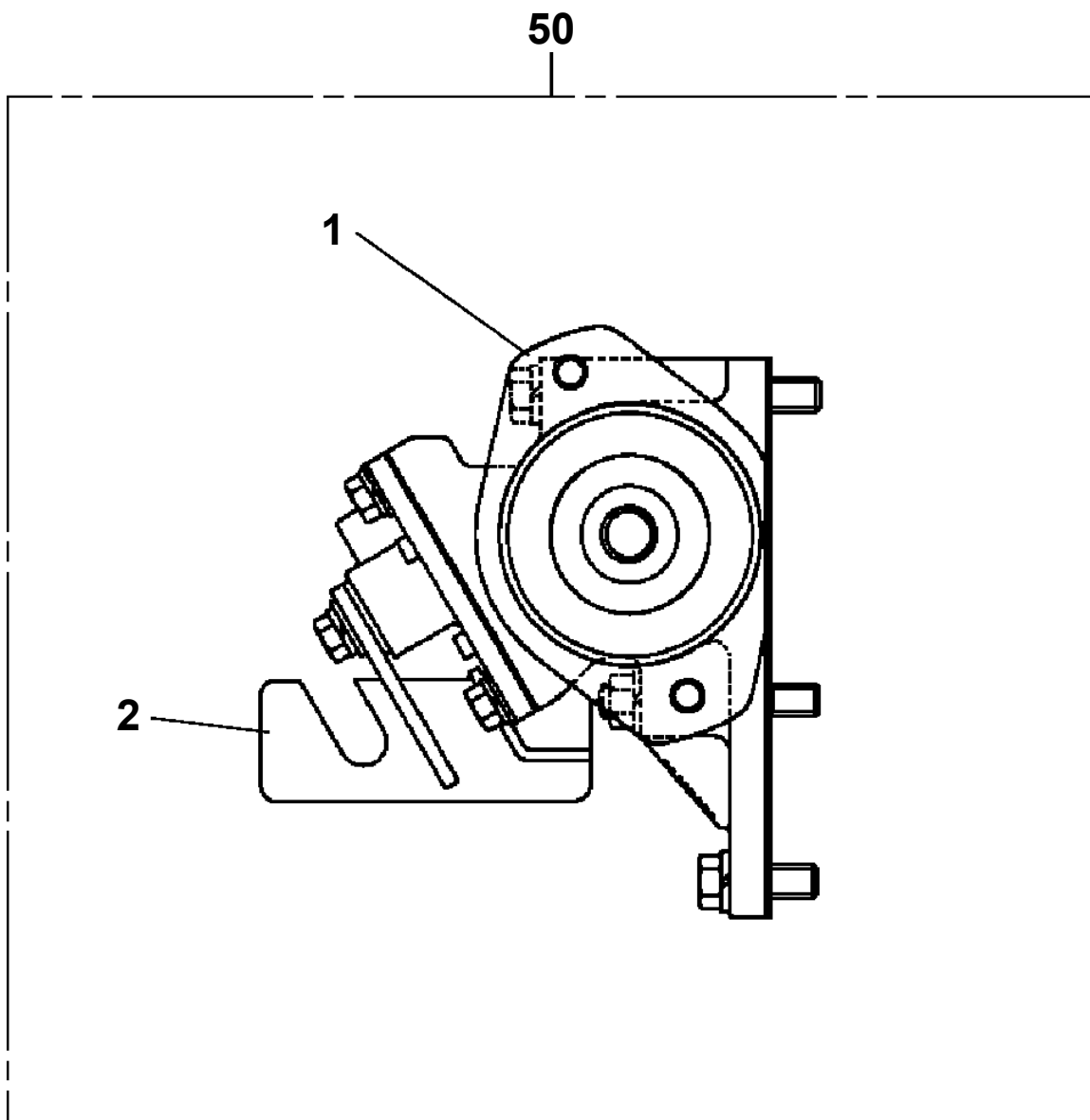
TM-ZR230 41110210890A FRAME/STD,MANUAL,HOOK-IN
PB1030172-02 POWER TAKE OFF



TM-ZR230 41110210890A FRAME/STD,MANUAL,HOOK-IN
PB1030192-01 POWER TAKE OFF



TM-ZR230 41110210890A FRAME/STD,MANUAL,HOOK-IN
PB1030205-00 POWER TAKE OFF



TM-ZR230 41110210890A FRAME/STD,MANUAL,HOOK-IN

Pos No.	Parts No	Parts Name	Qty	Unit	Technical Data	Serial No (Start)	Serial No (End)	Remarks	Pages
1	36401995010	CASE	1						
2	36401995020	GEAR	1						
3	36401995030	SHAFT	1						
4	36400095040	SHAFT	1						
5	36400095050	COLLAR	1						
6	36401995040	GEAR	1						
7	36400095070	COVER (BEARING)	1						
8	36400095080	PACKING (COVER)	1						
9	36400095090	SHIM	N						
10	36401995050	SHIFTER ASSY	1						
11	36400095110	PACKING	1						
12	80500006206	BEARING,BALL	2						
13	91206030005	SEAL,OIL	1						
14	90191208014	BOLT	3		M8X14				
15	90191208020	BOLT	4		M8X20				
16	90101206012	BOLT	1		M6X12				
17	90302040801	WASHER,SPRING	7		8				
18	36400095130	WASHER	1						
19	36401745060	BEARING	2						
20	80602110470	RING,RITAINING	2		R47				
22	36400055070	PACKING	1						
23	36401995060	BOLT	4						
24	90267401000	NUT	4		M10				
25	90302041001	WASHER,SPRING	6		10				
26	90193510035	BOLT	2		M10X35				
27	31791160100	SUPPORT	1						
28	90191208025	BOLT	2		M8X25				
50	36401990000	POWER TAKE OFF	1						
100	31791610000	POWER TAKE OFF	1						

TM-ZR230 41110210890A FRAME/STD,MANUAL,HOOK-IN

Pos No.	Parts No	Parts Name	Qty	Unit	Technical Data	Serial No (Start)	Serial No (End)	Remarks	Pages
1	36401135050	CASE	1						
2	36401125170	GEAR	1						
3	36401125030	SHAFT (TO)	1						
4	36401125040	SLEEVE	1						
5	36401125050	SHIFTER SET	1						
6	36400095110	PACKING	1						
7	36400095070	COVER (BEARING)	1						
8	36400095080	PACKING (COVER)	1						
9	36400095090	SHIM	N						
10	36401135070	COLLAR	1						
11	80500006903	BEARING,BALL	1						
12	36401125080	BEARING,ROLLER	2						
13	36401125090	BEARING,NEEDLE	1						
14	91206030005	SEAL,OIL	1						
15	36401125100	RING,RETAINING	1						
16	90191208020	BOLT	4		M8X20				
17	90191208014	BOLT	3		M8X14				
18	90302040801	WASHER,SPRING	7		8				
20	36402015020	PACKING	2						
21	36402035040	BOLT	1		M10X1.5X120				
22	36402035050	BOLT	1		M10X1.5X110				
23	90191210050	BOLT	2		M10X50				
24	36402035010	BOLT,STUD	1						
25	36402035020	BOLT,STUD	1						
26	90267201000	NUT	2		M10				
27	90302041001	WASHER,SPRING	6		10				
28	36402035030	SPACER	1						
30	90191208025	BOLT	2		M8X25				
51	36402030000	POWER TAKE OFF	1						
52	31790880100	SUPPORT	1						
100	31792100000	POWER TAKE OFF	1						

TM-ZR230 41110210890A FRAME/STD,MANUAL,HOOK-IN

Pos No.	Parts No	Parts Name	Qty	Unit	Technical Data	Serial No (Start)	Serial No (End)	Remarks
1	36402005010	CASE	1					
2	36402005020	GEAR	1					
3	36402135010	SHAFT	1					
4	36402005040	GEAR	1					
5	36400095040	SHAFT	1					
6	36400095100	SHIFTER ASSY	1					
7	36400095110	PACKING	1					
8	36400095070	COVER (BEARING)	1					
9	36400095080	PACKING (COVER)	1					
10	36400095090	SHIM	N					
11	36400095050	COLLAR	1					
12	80500006206	BEARING,BALL	2					
13	36400095120	BEARING	2					
14	91206030005	SEAL,OIL	1					
15	80602110520	RING,RITAINING	2		R52			
16	90101206012	BOLT	1		M6X12			
17	36400095130	WASHER	1					
18	90191208014	BOLT	3		M8X14			
19	90191208020	BOLT	4		M8X20			
20	90302040801	WASHER,SPRING	7		8			
22	36401945060	PACKING (FOR CASE)	1					
23	36401945070	BOLT	6					
24	90267401000	NUT	6		M10			
25	90302041001	WASHER,SPRING	6		10			
27	90191208025	BOLT	2		M8X25			
50	36402130000	POWER TAKE OFF ASSY	1					
60	31791220100	SUPPORT	1					
100	31792250000	POWER TAKE OFF	1					

TM-ZR230 41110210890A FRAME/STD,MANUAL,HOOK-IN

Pos No.	Parts No	Parts Name	Qty	Unit	Technical Data	Serial No (Start)	Serial No (End)	Remarks
1	36402470510	CASE	1					
2	36402470520	GEAR	1					
3	36402480510	SHAFT	1					
4	36401125040	SLEEVE	1					
5	36401125050	SHIFTER SET	1					
6	36400095110	PACKING	1					
7	36400095070	COVER (BEARING)	1					
8	36400095080	PACKING (COVER)	1					
9	36400095090	SHIM	N					
10	36402470540	COLLAR	1					
11	80500006903	BEARING,BALL	1					
12	36401125080	BEARING,ROLLER	2					
13	36401125090	BEARING,NEEDLE	1					
14	91206030005	SEAL,OIL	1					
15	36401125100	RING,RETAINING	1					
16	90191208020	BOLT	4		M8X20			
17	90191208014	BOLT	3		M8X14			
18	90302040801	WASHER,SPRING	7		8			
20	36402015020	PACKING	2					
21	36402035040	BOLT	1		M10X1.5X120			
22	36402035050	BOLT	1		M10X1.5X110			
23	90191210050	BOLT	2		M10X50			
24	36402035010	BOLT,STUD	1					
25	36402035020	BOLT,STUD	1					
26	90267201000	NUT	2		M10			
27	90302041001	WASHER,SPRING	6		10			
28	36402470550	SPACER	1					
30	90191208025	BOLT	2		M8X25			
50	36402480000	POWER TAKE OFF ASSY	1					
60	31790990100	SUPPORT	1					
100	31792380000	POWER TAKE OFF	1					

TM-ZR230 41110210890A FRAME/STD,MANUAL,HOOK-IN

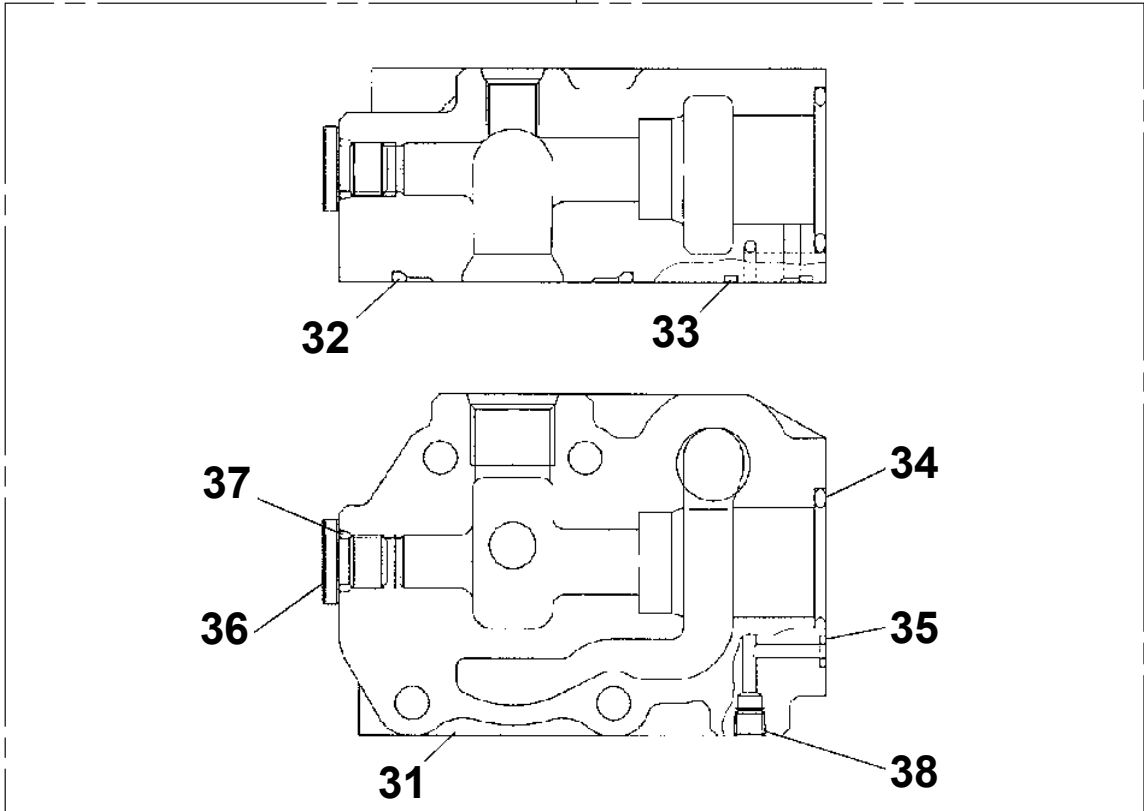
Pos No.	Parts No	Parts Name	Qty	Unit	Technical Data	Serial No (Start)	Serial No (End)	Remarks	Pages
1	31631221000	PLATE	1						
2	90171112022	BOLT	2		M12X22				
3	31631222000	CAP	1						
4	90302041201	WASHER,SPRING	2		12				

TM-ZR230 41110210890A FRAME/STD,MANUAL,HOOK-IN

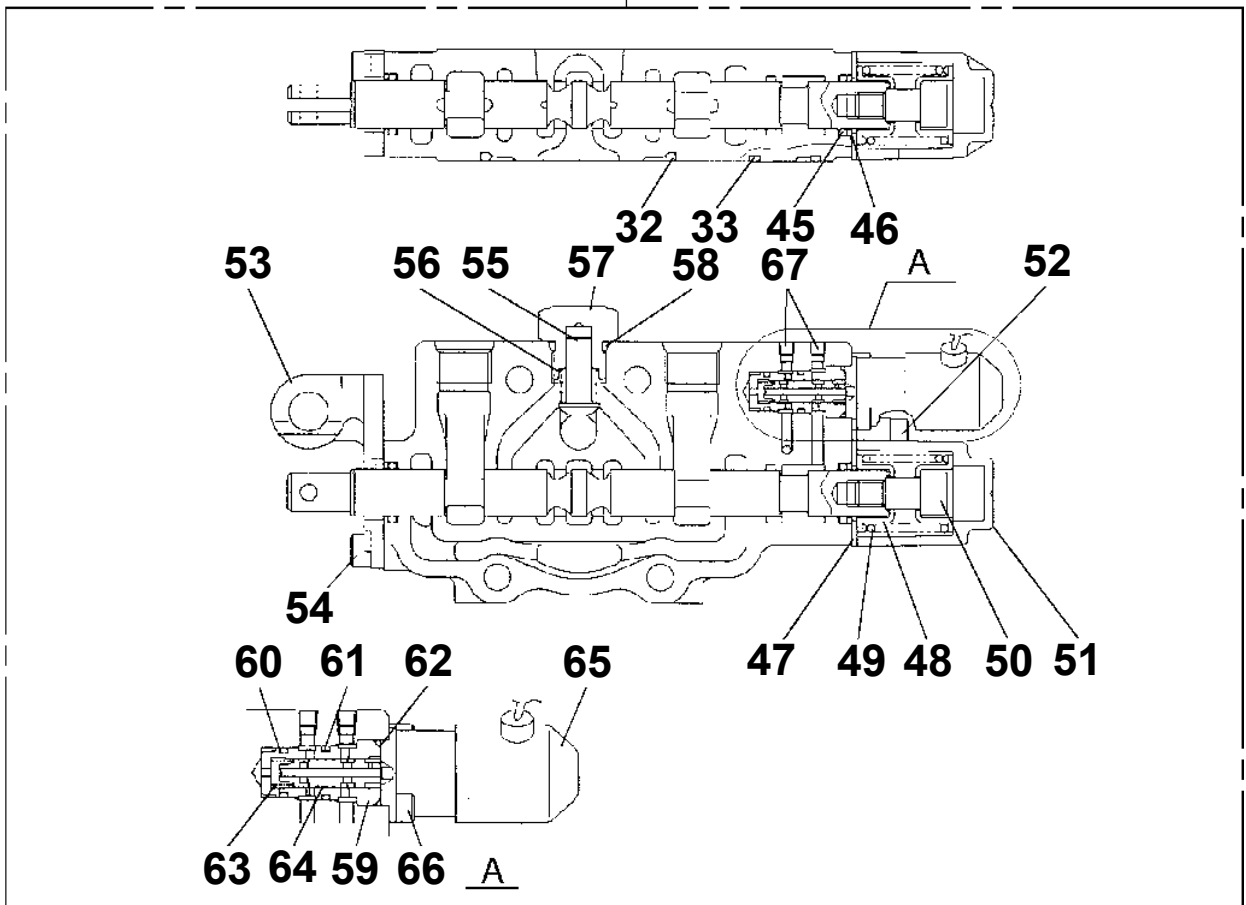
Pos No.	Parts No	Parts Name	Qty	Unit	Technical Data	Serial No (Start)	Serial No (E
1	36635825010	COVER (FRONT)	1				
2	36635825020	VALVE,RELIEF	1				
3	36635825080	VALVE,CONTROL (JACK)	2				
4	91001205500	O-RING	3		1A G55		
5	36635825040	COVER (BOTTOM)	1				
12	36635785090	SEAL,DUST	4		3/8		
13	36635825050	BRACKET	1				
23	12635101110	SPRING (RETURN)	1				
26	12635101140	SPRING	1				
28	11629431040	PACKING	2				
31	16623320390	TUBE (SEAL)	1				
32	91002802100	O-RING	1		1B P21		
33	91001102600	O-RING	1		1A P26		
43	36633365040	CAP (RETURN SPRING)	2				
44	36633365050	SPRING (RETURN)	2				
45	36645495210	SEAT,SPRING (RETURN)	4				
47	36635825090	ADAPTER	2				
48	36635825070	LINK	2				
50	12635101190	SPRING	2				
51	36633365090	CAP (CHECK VALVE)	2				
52	36633365100	SEAL,OIL	4				
53	91001101400	O-RING	2		1A P14		
100	36635820000	VALVE,MANUAL CONTROL (REAR JACK)	1				

TM-ZR230 41110210890A FRAME/STD,MANUAL,HOOK-IN
PB1320528-01 VALVE,MANUAL CONTROL (NABCO)

1



2



TM-ZR230 41110210890A FRAME/STD,MANUAL,HOOK-IN

Pos No.	Parts No	Parts Name	Qty	Unit	Technical Data	Serial No (Start)	Serial No (End)	Remarks	Pa
1	37002456880	HOSE	2		L=400				
2	91002801400	O-RING	12		1B P14		ET3408		
	91002801400	O-RING	8		1B P14	ET3409			
3	37002467580	HOSE	1		L=1170				
4	37002467590	HOSE	1		L=1250				
5	37000804110	JOINT	1						
6	91803880070	CLIP	2		D=13.1-16.2				
7	37002500640	HOSE	1		L=400				
8	80481103030	JOINT	4		L,G3/8-G3/8		ET3408		
	80430620600	JOINT (WITH O-RING)	4		L,G3/8-G3/8	ET3409			
9	37000920980	JOINT	2		PF3/8-PF3/8				
10	37002480130	HOSE	1		L=520				
	37002454090	HOSE	1		L=520				
11	37002454100	HOSE	1		L=480 TO 490				
12	37002480120	HOSE	1		L=490				
	31340310100	JOINT	1						
31	91002801400	O-RING	4		1B P14	ET3409			

TM-ZR230 41110210890A FRAME/STD,MANUAL,HOOK-IN

Pos No.	Parts No	Parts Name	Qty	Unit	Technical Data	Serial No (Start)	Serial No (End)	Rema
1	81408000100	PIPE,STEEL	1	M	10X1.2T			
2	81408000100	PIPE,STEEL	1	M	10X1.2T			
3	91803880070	CLIP	2		D=13.1-16.2			
4	91803600200	CLIP	1		D=13-20			
5	31641800300	COVER	1					
6	91810130270	FASTENER	2					
7	91810130240	FASTENER	5					
8	81408000100	PIPE,STEEL	2	M	10X1.2T			
9	81408000100	PIPE,STEEL	2	M	10X1.2T			
10	80302120080	FITTING	8		POA10PF3/8			
11	91002801400	O-RING	13		1B P14			
12	37000800740	JOINT	1					
13	37002513350	HOSE	1		L=1400			
15	81408000100	PIPE,STEEL	2	M	10X1.2T			
16	81408000100	PIPE,STEEL	2	M	10X1.2T			
17	90186210014	BOLT,FLANGE	2		M10X14			
18	37000924350	FITTING	4					
19	91002801100	O-RING	4		1B P11			
20	91803600400	CLIP	2		D=27-40			
21	36672390000	FILTER,OIL (WAKO)	1					
22	91002802900	O-RING	1		1B P29			
23	90101208055	BOLT	2		M8X55			
24	37005700140	CLAMP	2					
25	90201200800	NUT	2		M8			
26	90302040801	WASHER,SPRING	2		8			
27	90303070801	WASHER,PLAIN	2		8			
30	80481003037	JOINT	4					
31	80400160180	JOINT (WITH O-RING)	1					
32	80481003027	JOINT	1					
51	80400160202	JOINT (FOR RETURN FILTER)	1					
61	37002454740	HOSE	4		L=1260			
62	80491002020	JOINT (WITH O-RING)	4					
63	31644591450	JOINT	2					
64	91810130240	FASTENER	6					
71	91002801400	O-RING	1		1B P14			
81	91002802900	O-RING	1		1B P29			
91	91002801100	O-RING	4		1B P11			

TM-ZR230 41110210890A FRAME/STD,MANUAL,HOOK-IN

Pos No.	Parts No	Parts Name	Qty	Unit	Technical Data	Serial No (Start)	Serial No (End)	Re
1	31622271002	CASE,OUTER	1					
2	31622142001	CASE,INNER (LEFT)	1					
3	31622143001	CASE,INNER (RIGHT)	1					
4	31622149510	SUPPORT ASSY	1					
5	31622149520	SUPPORT ASSY	1					
6	31622140100	COVER	2					
7	90101206010	BOLT	6		M6X1.0			
8	90302040601	WASHER,SPRING	6		6			
9	90172110025	BOLT,HEXAGON SOCKET	8		M10X25			
10	90302041001	WASHER,SPRING	8		10			
11	(*****)	CYLINDER,JACK (REAR)	2					
12	90201201600	NUT	2		M16			
13	90720716400	SCREW,SET	2		M16X40			
14	31622140200	COVER	4					
15	31622140300	PLATE	4					
16	90191208014	BOLT	8		M8X14			
17	90302040801	WASHER,SPRING	8		8			
18	82455106000	NIPPLE,GREASE	4		A-M6F FE			
19	31622140400	PIN	2					
20	37001200720	SPRING	2					
21	37003100020	GRIP	2					
22	80136332025	PIN,SPLIT	8		3.2X25			
23	80530000225	BEARING,BALL (KOYO)	4				ET4714	
	31620582020	BEARING,BALL (KOYO)	4			ET4715		
24	37000157880	PIN	4					
25	82400000459	CAP	4					
26	90171210030	BOLT	2		M10X30			
27	90203201000	NUT	2		M10			
28	31622140640	PLATE	2					
29	(*****)	PIPING,REAR JACK (2,ROTARY)	1					
30	31622140501	SUPPORT	2					
31	31622140601	SUPPORT	2					
32	31622140700	SUPPORT	2					
52	31622141200	PIN ASSY	2					
54	82400000204	GROMMET	4		L=320			

TM-ZR230 41110210890A FRAME/STD,MANUAL,HOOK-IN

Pos No.	Parts No	Parts Name	Qty	Unit	Technical Data	Serial No (Start)	Serial No (E
1	91001101000	O-RING	2		1A P10		
2	90172110040	BOLT,HEXAGON SOCKET	2		M10X40		
3	36623930000	VALVE,PILOT CHECK	1				
4	90174110025	BOLT	2		M10X25		
5	80491002020	JOINT (WITH O-RING)	2				
6	36036260000	CYLINDER,JACK (WELDED STRUCTURE)	1				
	36033740000	CYLINDER,JACK (COLD-FORGED)	1				
	36036550000	CYLINDER,JACK (FRICTION-WELDED)	1				
7	37000572180	PLATE	2				
8	99183705012	BOLT,HEXAGON SOCKET	2		M5X12		
9	31612502000	COVER	1				
10	80189305008	SCREW,MACHINE	1		M5X8		
31	91002801100	O-RING	2		1B P11		

TM-ZR230 41110210890A FRAME/STD,MANUAL,HOOK-IN

Pos No.	Parts No	Parts Name	Qty	Unit	Technical Data	Serial No (Start)	Serial No (E
1	36031780100	CYLINDER	1				
2	90211203000	NUT	1		M30X3/2		
3	36032110300	PISTON	1				
4	91350207500	BEARING,PLAIN (WITH PACKINGX2)	1				
5	91002903000	O-RING	1		1B G30		
6	36010130080	COVER,ROD	1				
7	91002907000	O-RING	1		1B G70		
8	91694006000	PACKING	1				
9	91660006001	SEAL,DUST	1				
10	36036261000	ROD	1				
20	36033749900	PACKING SET	1		60X75		
50	36036260000	CYLINDER,JACK (WELDED STRUCTURE)	1				

TM-ZR230 41110210890A FRAME/STD,MANUAL,HOOK-IN

Pos No.	Parts No	Parts Name	Qty	Unit	Technical Data	Serial No (Start)	Serial No (End)
1	90191208030	BOLT	3		M8X30		
2	90201200800	NUT	3		M8		
3	90302040801	WASHER,SPRING	5		8		
4	36635820000	VALVE,MANUAL CONTROL (REAR JACK)	1				
5	37002511060	HOSE	1		L=1280		
6	37002450070	HOSE	1		L=1400		
7	91810132530	FASTENER	4				
8	81408000130	PIPE,STEEL	4	M	10X1.8T		
9	37000561880	SUPPORT	3				
10	37000711410	CLAMP ASSY	3		12-4		
11	37000300720	SLEEVE	12		12-10		
12	80400160203	JOINT (WITH O-RING)	1				
13	80400160182	JOINT (WITH O-RING)	2				
14	91803600400	CLIP	2		D=27-40		
15	80400160128	JOINT	4		S,G3/8-G1/4		
16	91002801400	O-RING	4		1B P14		
17	80430620800	JOINT	2				
18	80320010050	FITTING	8		KUD10-020N		
19	80430620400	JOINT	4				
20	37002413240	HOSE	6		L=500		
21	37002428090	HOSE	2		L=1280		
22	82100002039	CLAMP	2				
23	90101208012	BOLT	2		M8X12		
24	91002801800	O-RING	1		1B P18		
26	37000924110	JOINT	1		S,G1/2-G1/2		
41	91002802900	O-RING	1		1B P29		
51	91002801800	O-RING	4		1B P18		
71	91002801100	O-RING	4		1B P11		

TM-ZR230 41110210890A FRAME/STD,MANUAL,HOOK-IN

Pos No.	Parts No	Parts Name	Qty	Unit	Technical Data	Serial No (Start)	Serial No
1	80561100080	NUT	1		AN08		
2	80602110800	RING,RITAINING	1		R80		
3	36080495210	SPACER	1				
4	80500006208	BEARING,BALL	1				
5	36080495220	WORM	1				
6	36080755030	BEARING,NEEDLE	1		BK3020+IR25*30*18		
7	36080495090	GAUGE,OIL	1				
8	36080235080	WASHER,SEAL	1		M16		
9	80316090060	PLUG	1		KKT PT3/8		
10	80561100070	NUT	1		AN07		
15	91206055002	SEAL,OIL	1				
16	36080495042	CASE,GEAR	1				
17	80513006308	BEARING,BALL	1				
18	36080495050	BOLT,SEMS (M10X25,WITH WASHER)	6				
19	36080015000	PIN	2				
20	36080495060	KEY	1				
21	36080495070	WHEEL,WORM	1				
22	36080495230	CASE,GEAR	1				
23	80500006207	BEARING,BALL	1				
51	36081775500	GEAR,SPUR	1				
100	36081770000	REDUCER,SWING SPEED	1				

TM-ZR230 41110210890A FRAME/STD,MANUAL,HOOK-IN

Pos No.	Parts No	Parts Name	Qty	Unit	Technical Data	Serial No (Start)	Serial No (End)	Remarks
1	31310237510	GEAR,SPUR	1					
2	31310005010	PIN	2					
3	31310707510	DRUM	1					
4	80516006306	BEARING,BALL	1					
5	80516006206	BEARING,BALL	1					
6	31310617520	BOLT,HEXAGON SOCKET	4		M10X25			
7	90302041001	WASHER,SPRING	4		10			
20	31310701000	DRUM,WINCH (HARTYS)	1					

CLICK HERE TO **DOWNLOAD** THE COMPLETE MANUAL

- Thank you very much for reading the preview of the manual.
- You can download the complete manual from: www.heydownloads.com by clicking the link below



- Please note: If there is no response to CLICKING the link, please download this PDF first and then click on it.

CLICK HERE TO **DOWNLOAD** THE COMPLETE MANUAL

TM-ZR230 41110210890A FRAME/STD,MANUAL,HOOK-IN

Pos No.	Parts No	Parts Name	Qty	Unit	Technical Data	Serial No (Start)	Serial No (End)
1	(*****)	HOOK	1				
2	(*****)	PLATE ASSY,NAME (1-PART LINE OPE.)	1				
3	(*****)	DETECTOR,OVER WINDING	1				

TM-ZR230 41110210890A FRAME/STD,MANUAL,HOOK-IN

Pos No.	Parts No	Parts Name	Qty	Unit	Technical Data	Serial No (Start)	Serial No (End)	Remark
1	36131315010	PLATE (BASE)	1					
2	36131745020	CASE	1					
3	36131745030	DRUM ASSY	1					
4	32360005050	RING,SLIP	1					
5	32360005060	CONTACTOR ASSY	1					
6	36131745040	CASE	1					
7	36131745050	PACKING	1					
8	91001209000	O-RING	1		1A G90			
9	36131745060	BRACKET	1					
10	36131745010	POTENTIOMETER	1					
11	36130915030	SEAL	1					
12	36131745070	GEAR	1					
13	82100000192	TERMINAL	1					
14	36161185010	CAP	1					
15	82100000191	TERMINAL	1					
16	36131625050	CAP	1					
17	31370005080	GUIDE (CORD)	1					
18	36131745080	CORD ASSY	1					
19	82100001406	CONNECTOR (SEAL)	1					
20	36130795030	STOPPER	2					
31	36131745090	CORD	13	M				
100	36131740000	DETECTOR,BOOM LENGTH	1					

TM-ZR230 41110210890A FRAME/STD,MANUAL,HOOK-IN

Pos No.	Parts No	Parts Name	Qty	Unit	Technical Data	Serial No (Start)	Serial No (End)	Remarks
2	36116551300	CUSHION	1					
4	36190831930	BOARD,CIRCUIT	1					
5	36190831940	HARNESS	1					
11	36190831800	COVER	1					
21	36194655010	CPU UNIT (WITH DATA)	1					
100	36194650000	MOMENT LIMITER (BML)	1					

TM-ZR230 41110210890A FRAME/STD,MANUAL,HOOK-IN

Pos No.	Parts No	Parts Name	Qty	Unit	Technical Data	Serial No (Start)	Serial No (End)	Remarks	Page
13	36662185010	KEY (FEATHER)	1						
40	36662415020	SEAL KIT	1						
100	36663640000	MOTOR,HYDRAULIC	1						

TM-ZR230 41110210890A FRAME/STD,MANUAL,HOOK-IN

Pos No.	Parts No	Parts Name	Qty	Unit	Technical Data	Serial No (Start)	Serial No (End)	Remarks
1	36672590000	FILTER,OIL (CARTRIDGE)	1					
3	36672395020	COVER,HEAD	1					
10	36672390000	FILTER,OIL (WAKO)	1					

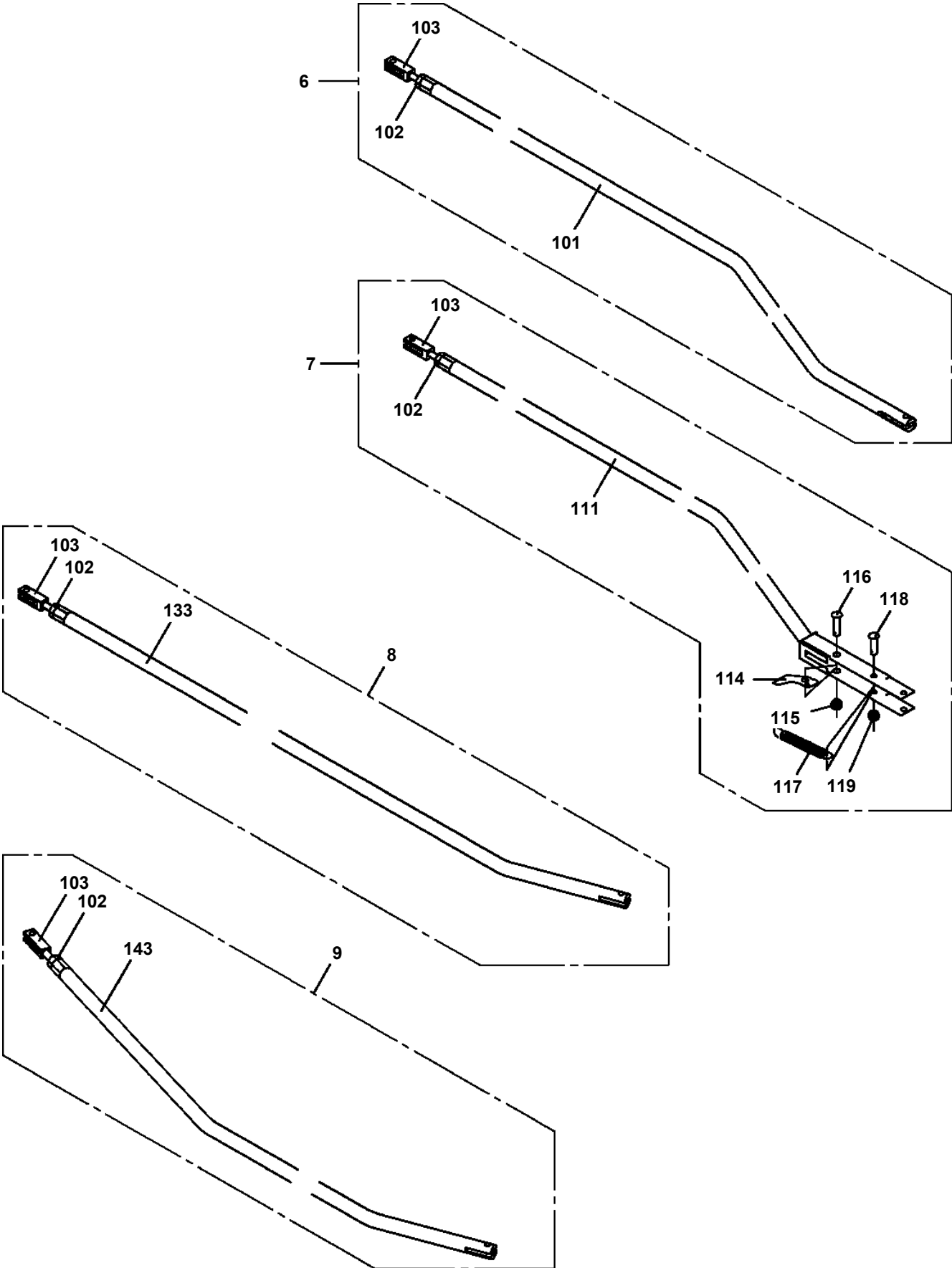
TM-ZR230 41110210890A FRAME/STD,MANUAL,HOOK-IN

Pos No.	Parts No	Parts Name	Qty	Unit	Technical Data	Serial No (Start)	Serial No (End)	Re
1	(*****)	MOUNT (PLATE/VALVE,SOLENOID)	1					
2	(*****)	PIPING	1					
3	(*****)	ELEC.ASSY	1					

TM-ZR230 41110210890A FRAME/STD,MANUAL,HOOK-IN

Pos No.	Parts No	Parts Name	Qty	Unit	Technical Data	Serial No (Start)	Serial No (End)	Remarks	Pages
1	31301370100	COVER	1						
2	31301370200	COVER	1						
3	80183308014	SCREW,MACHINE	4		M8X14				
4	90303071001	WASHER,PLAIN	6		10				

TM-ZR230 41110210890A FRAME/STD,MANUAL,HOOK-IN
PL1011077-00 OPE.ASSY,CONT.VALVE



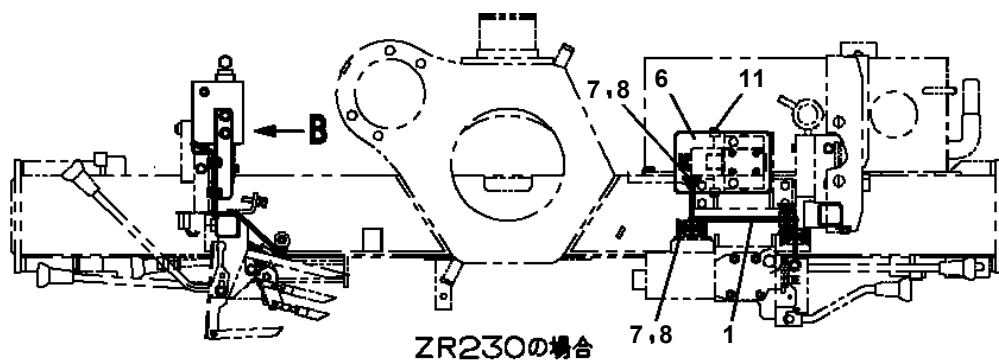
TM-ZR230 41110210890A FRAME/STD,MANUAL,HOOK-IN

Pos No.	Parts No	Parts Name	Qty	Unit	Technical Data	Serial No (Start)	Serial No (End)	Remarks	Page
1	82199100026	LAMP	1		24V 60W				
2	31473462100	SUPPORT	1						
3	90186208014	BOLT,FLANGE	2		M8X14				
4	31473744700	HARNESS (L=1000)	1						00012
5	91850310305	CLAMP	1						
6	91810130240	FASTENER	5						
26	82100000054	BULB,LAMP	1		24V 60W				

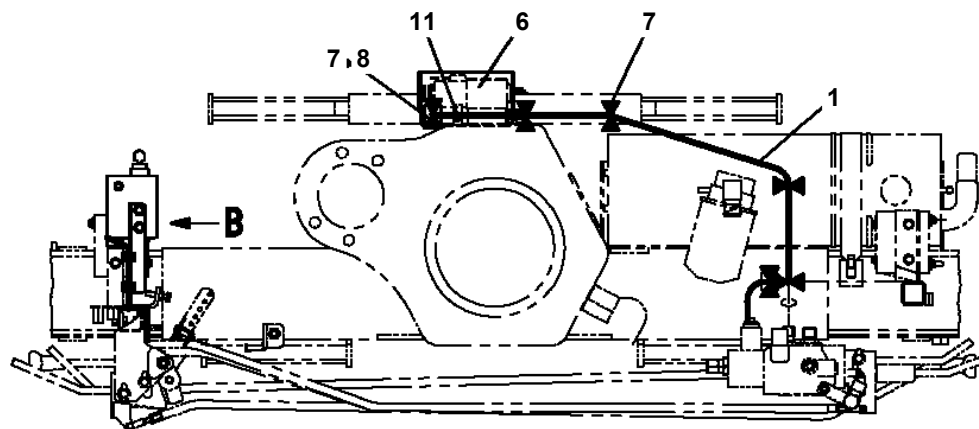
TM-ZR230 41110210890A FRAME/STD,MANUAL,HOOK-IN

Pos No.	Parts No	Parts Name	Qty	Unit	Technical Data	Serial No (Start)	Serial No (End)	Remarks	Page
2	90186208010	BOLT,FLANGE	2		M8X10				
3	31651762300	HARNESS	1						
4	82401600510	CLAMP	2		10				
5	82100002490	CAP	1						
6	91810130240	FASTENER	6						
7	31653450100	SUPPORT	1						
8	80192483010	SCREW,MACHINE	4		M3X10				
9	31651760800	PLATE,CAUTION	1						
10	82100001209	CAP (RECEPTACLE)	1						
31	36800174100	BOX	1						
32	31653312100	SUPPORT	1						
33	31642171600	PLATE,NAME	1						
34	36800174300	PLATE,CAUTION	1						
35	31652170320	PLATE,NAME	1						
36	80182306016	SCREW,MACHINE	3		M6X16				
37	90303100601	WASHER,PLAIN	4		6				
38	90280200600	NUT,FLANGE	4		M6				
39	80182306020	SCREW,MACHINE	1		M6X20				
53	82100002478	CAP	1						
61	36800175090	COVER (UPPER)	1						

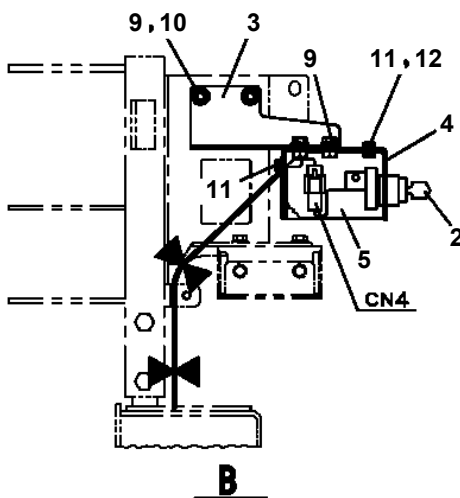
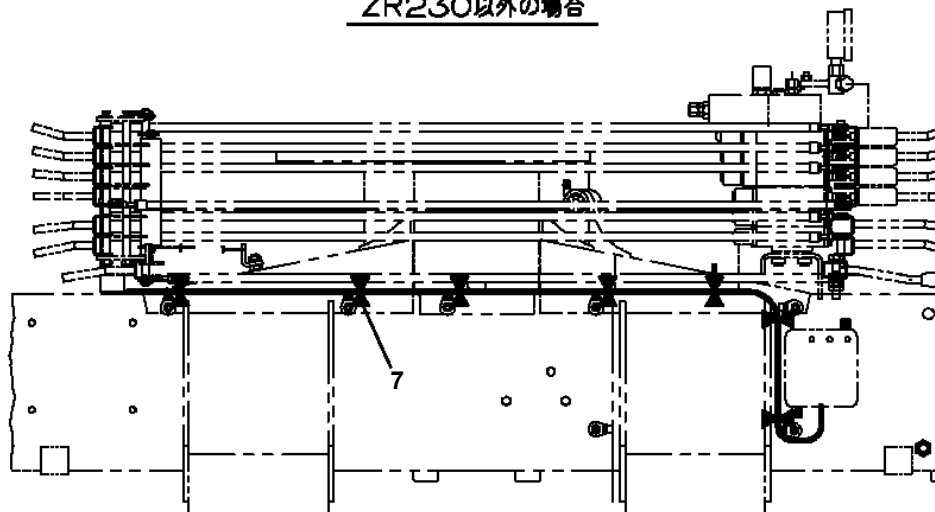
TM-ZR230 41110210890A FRAME/STD,MANUAL,HOOK-IN
PN1013981-01 ELEC.ASSY



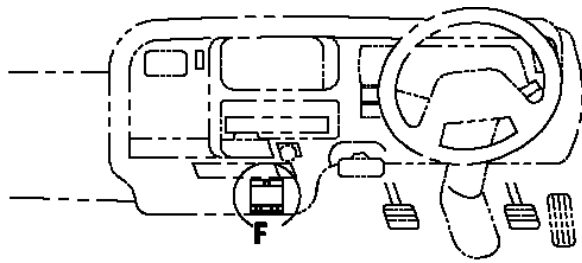
ZR230の場合



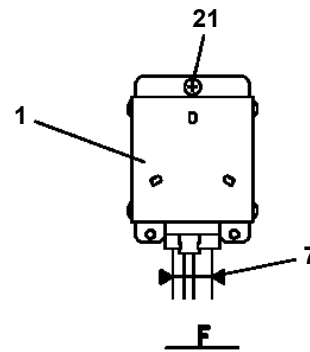
ZR230以外の場合



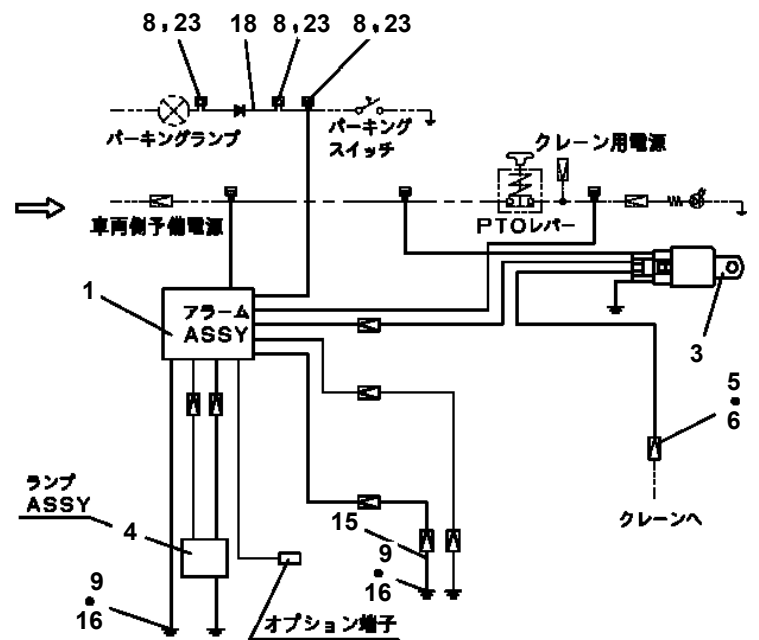
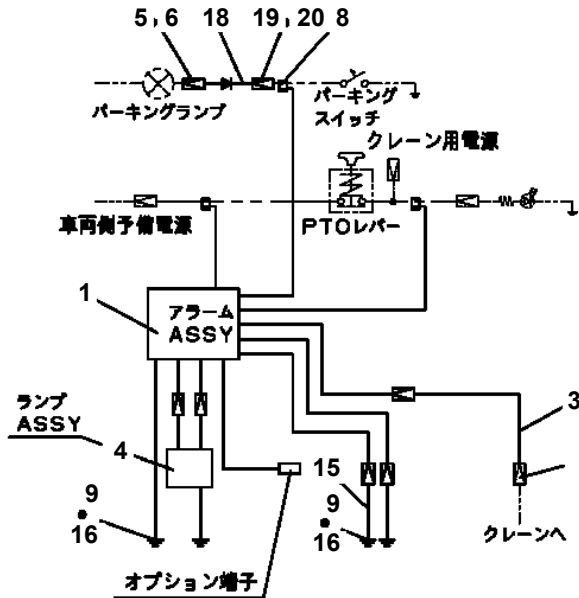
TM-ZR230 41110210890A FRAME/STD,MANUAL,HOOK-IN
 PN1014342-01 ELEC.ASSY (CARRIER)



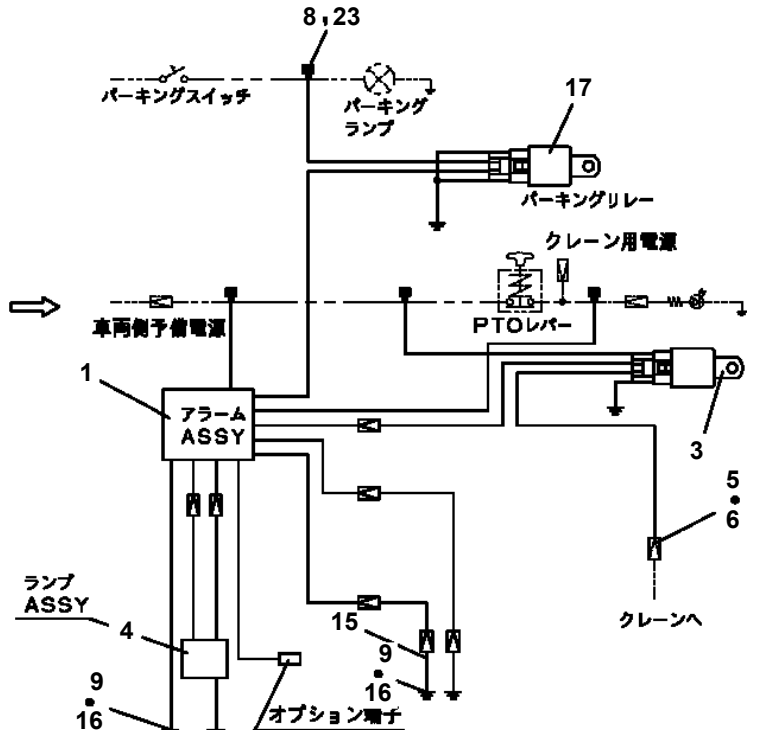
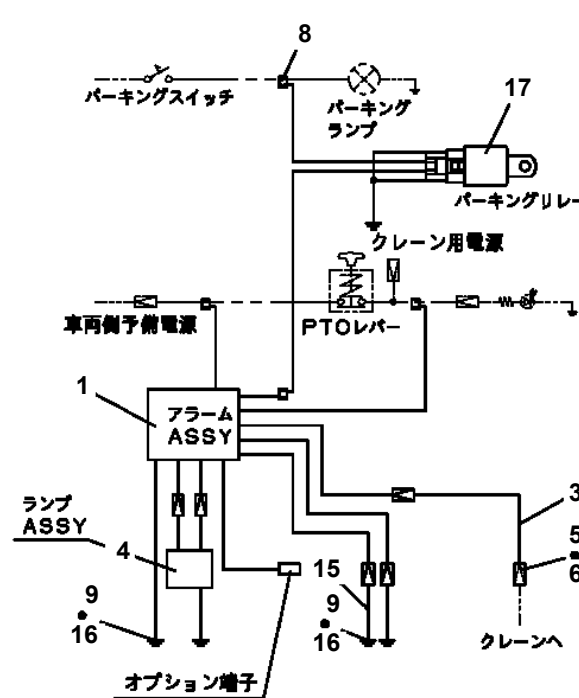
アラームASSY取付



F

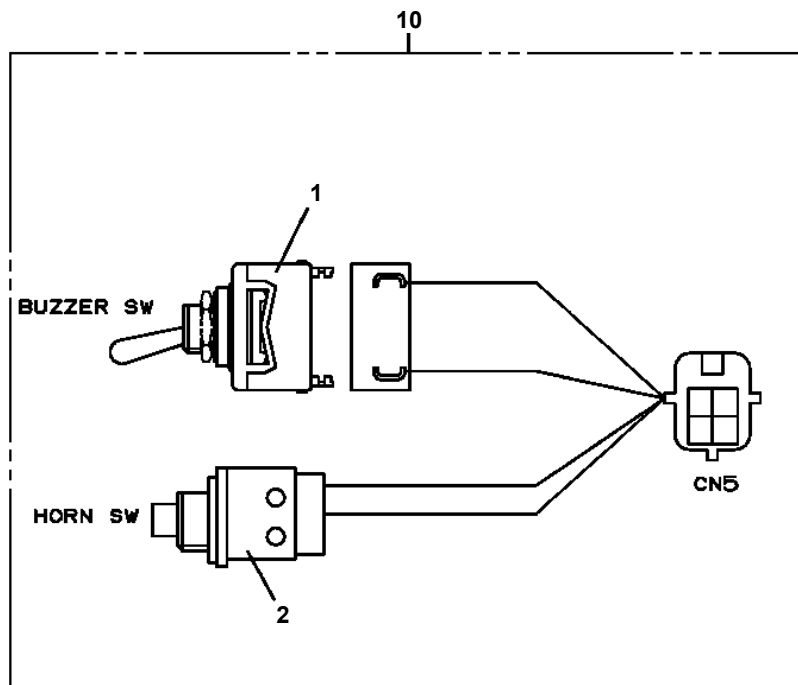


パーキングランプの下流にパーキングスイッチがある場合

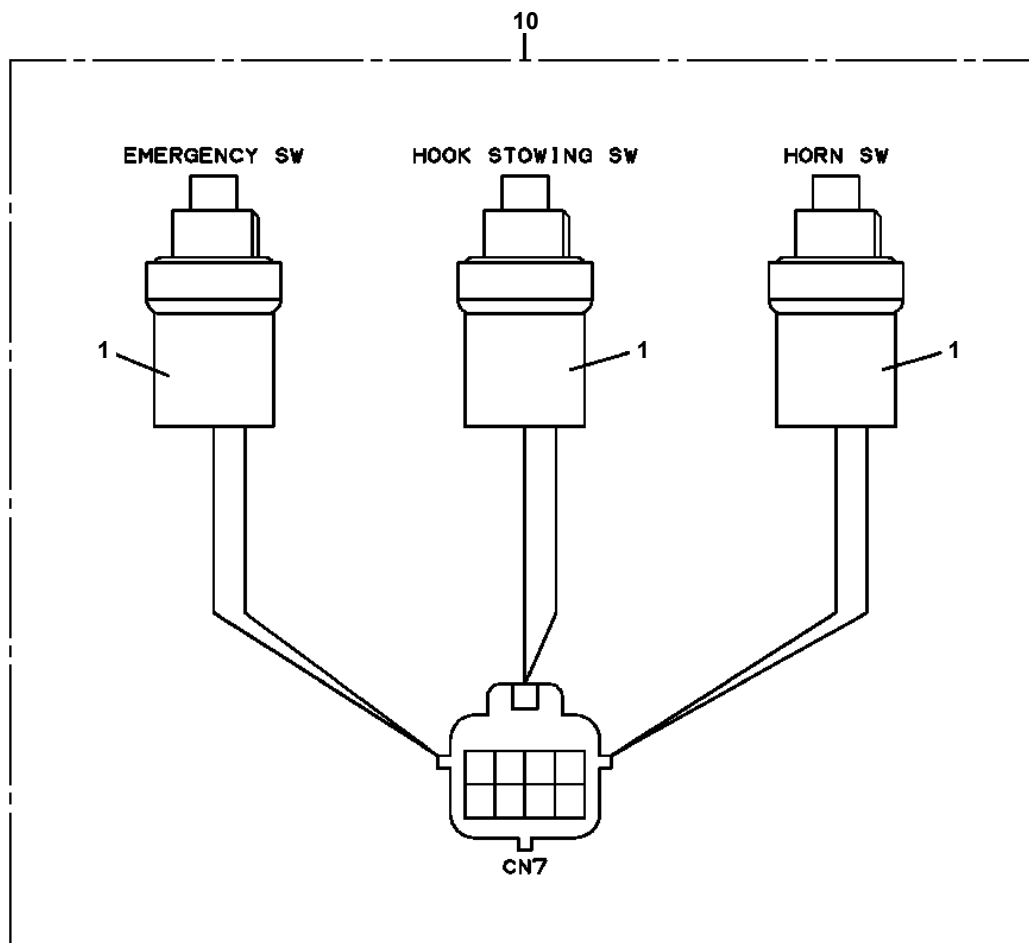


パーキングランプの上流にパーキングスイッチがある場合

**TM-ZR230 41110210890A FRAME/STD,MANUAL,HOOK-IN
PN1140221-00 SWITCH ASSY (GREEN:PANASONIC)**



TM-ZR230 41110210890A FRAME/STD,MANUAL,HOOK-IN
PN1140226-00 SWITCH ASSY (PLATING:NACC)



TM-ZR230 41110210890A FRAME/STD,MANUAL,HOOK-IN

Pos No.	Parts No	Parts Name	Qty	Unit	Technical Data	Serial No (Start)	Serial No (End)	Remarks	Pages
1	31502232100	PLATE,CAUTION	1						
2	31502232200	PLATE,CAUTION	1						

TM-ZR230 41110210890A FRAME/STD,MANUAL,HOOK-IN

Pos No.	Parts No	Parts Name	Qty	Unit	Technical Data	Serial No (Start)	Serial No (End)	Remarks	Pages
1	37002215540	PLATE,NAME	1						
2	31395260100	PLATE,CAUTION	1						

TM-ZR230 41110210890A FRAME/STD,MANUAL,HOOK-IN

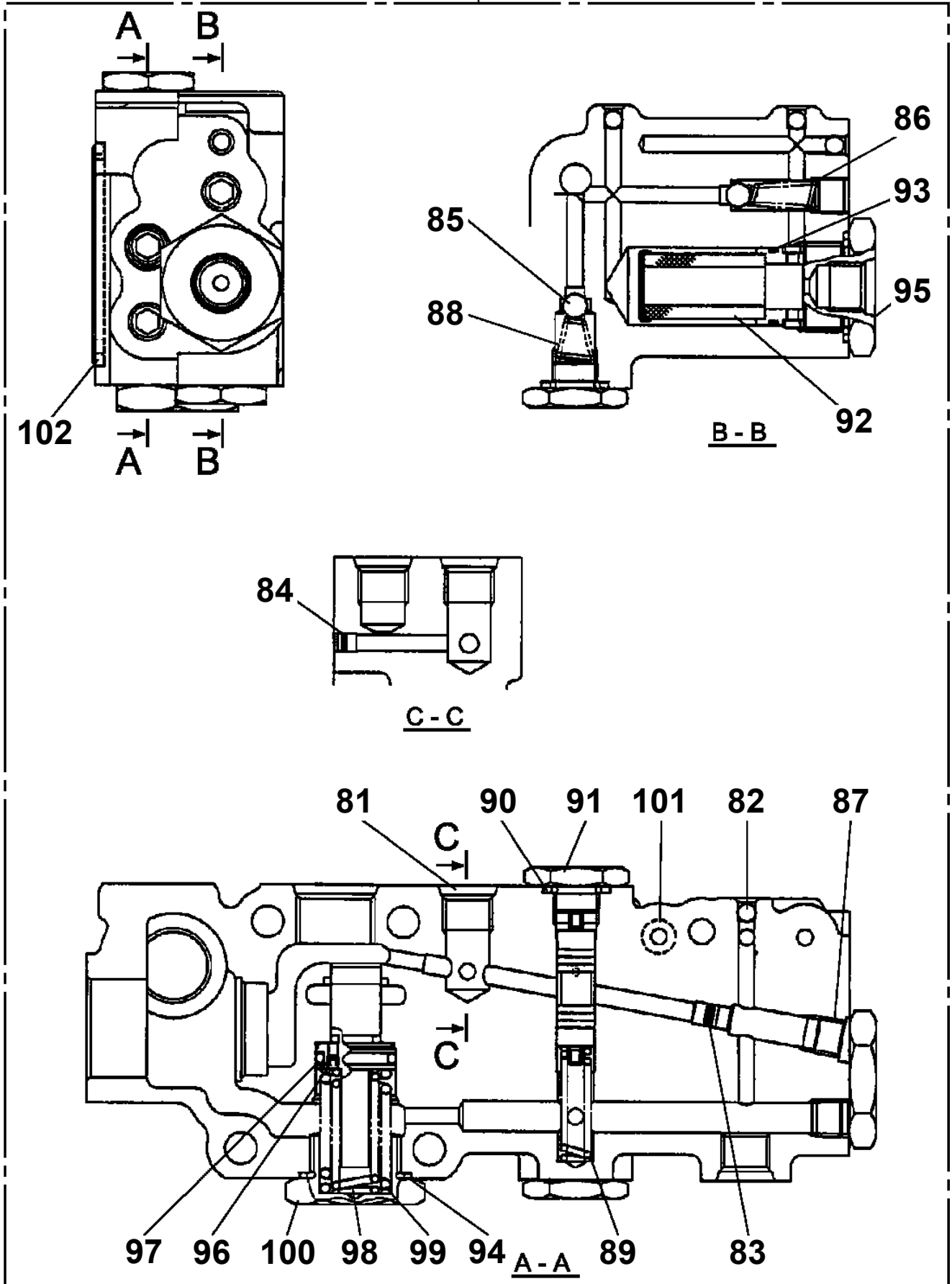
Pos No.	Parts No	Parts Name	Qty	Unit	Technical Data	Serial No (Start)	Serial No (End)	Remarks	Pages
1	31477441100	PLATE,NAME	2						

TM-ZR230 41110210890A FRAME/STD,MANUAL,HOOK-IN

Pos No.	Parts No	Parts Name	Qty	Unit	Technical Data	Serial No (Start)	Serial No (End)	Remarks	Pages
1	31491142100	PLATE,NAME	1						
2	31491142200	PLATE,NAME	1						
3	31496232300	PLATE,NAME	2						
4	31496232400	PLATE,NAME	1						
5	12237076000	INDICATOR	2						
6	90190000060	BOLT	2		M10X16				

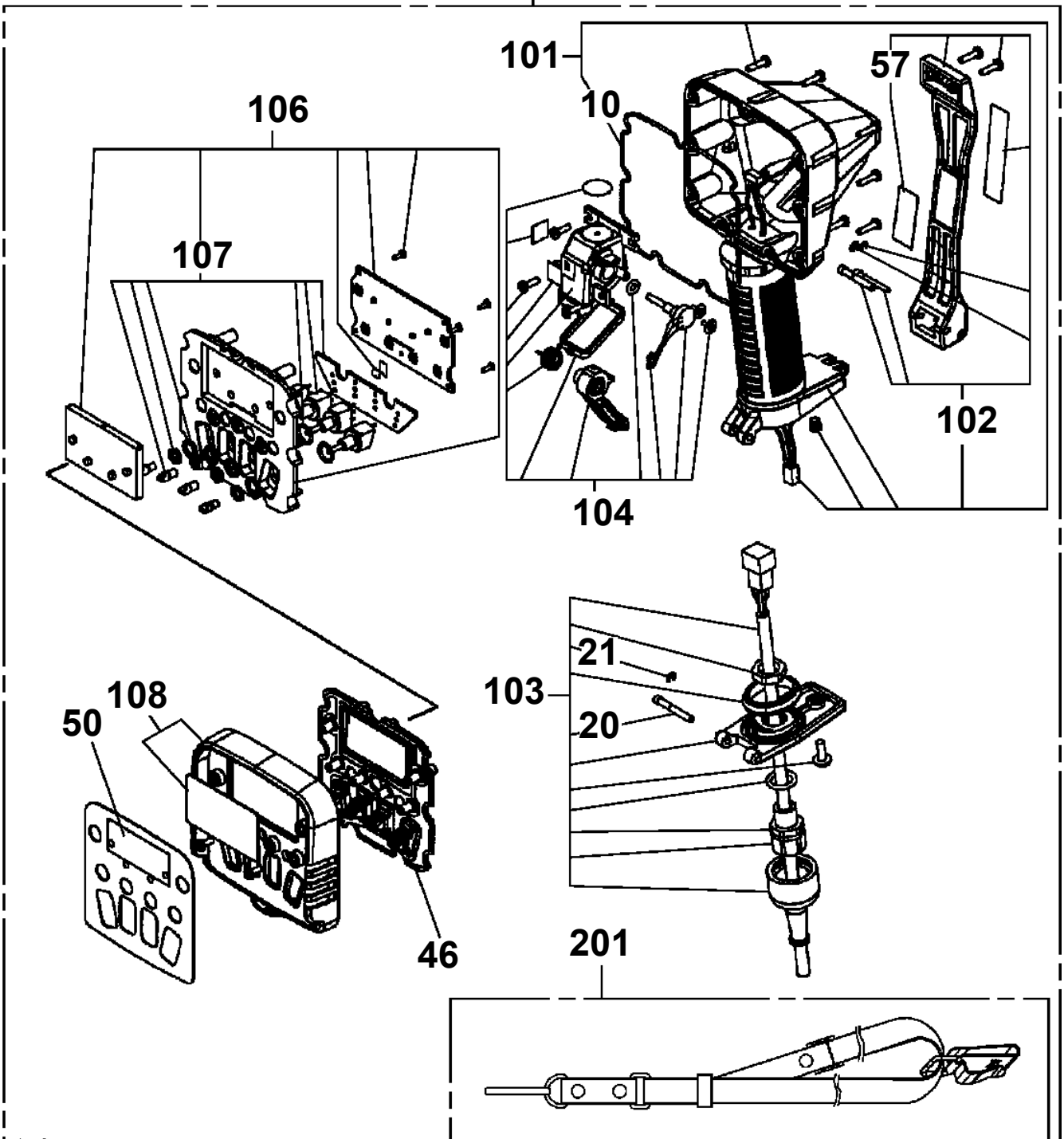
TM-ZR230 41110210890A FRAME/STD,MANUAL,HOOK-IN
PV1020330-00 VALVE,REMOTE CONTROL

4



TM-ZR230 41110210890A FRAME/STD,MANUAL,HOOK-IN
PV1030082-01 SWITCH BOX

300



注意

1. 本体分解時には、指示番号10の「Oリング (ケース)」を併せて注文ください。
2. お送りする「ラベル (コクイン)」には製造番号は印字されていないので記入してください。

NOTICE

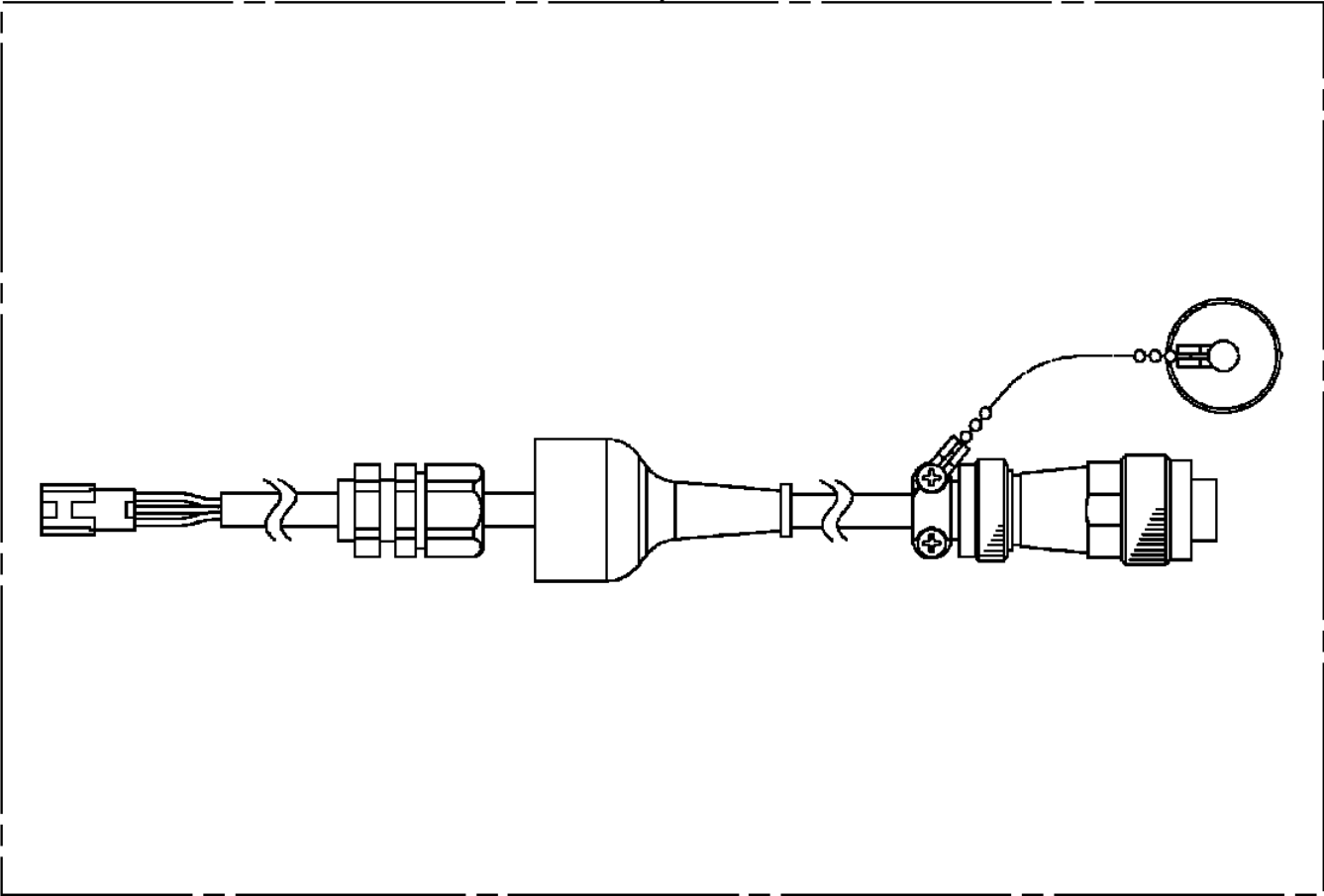
1. When disassembling the main unit, order a key No.10 「O-RING(CASE)」 beforehand.
2. Serial No.is not stamped on the 「 LABEL(SELIAL)」 before shipment. Fill in the blank by yourself.

TM-ZR230 41110210890A FRAME/STD,MANUAL,HOOK-IN
 PV1070462-00 RADIO CONTROL

指示番号 KEY NO.	ラジオコントロール (Fカクタ, トクシヨウカクタ) RADIO CONTROL
1	ラジオコントロール RADIO CONTROL
2	オペ .ASSY, ソウサハルフ OPE. ASSY, CONT. VALVE
3	ハイセンASSY ELEC. ASSY
4	パイピング, ロー (リモコンハルフ / サンワ) PIPING, LOWER (REMOTE CONT. VALVE / SANWA)
5	パイピング, ロー (フィルタコウカン) PIPING, LOWER (REPLACE FILTER)
6	プレートASSY, ネーム PLATE ASSY, NAME

**TM-ZR230 41110210890A FRAME/STD,MANUAL,HOOK-IN
PV1300018-00 CABLE (F-REMOTE CONTROL,20M)**

10



**TM-ZR230 41110210890A FRAME/STD,MANUAL,HOOK-IN
PY1000385-00 OPTIONS (HYDRAULIC-RELATED)**

トクベツ ショウ
OPTIONS

(油圧関係
HYDRAULIC-RELATED)

【組立名称一覧】より選択してください。
SEE THE CORRESPONDING "ASSEMBLY NAME" LIST.

CLICK HERE TO **DOWNLOAD** THE COMPLETE MANUAL

- Thank you very much for reading the preview of the manual.
- You can download the complete manual from: www.heydownloads.com by clicking the link below



- Please note: If there is no response to CLICKING the link, please download this PDF first and then click on it.

CLICK HERE TO **DOWNLOAD** THE COMPLETE MANUAL