

TM-ZR230 41110210820A FRAME/STD,RADIO CONT.,HOOK-IN
PB0000190-01 SYSTEM (ZR230,DOMESTIC)
ASSEMBLY

CLICK HERE TO **DOWNLOAD** THE COMPLETE MANUAL

- Thank you very much for reading the preview of the manual.
- You can download the complete manual from: www.heydownloads.com by clicking the link below



- Please note: If there is no response to CLICKING the link, please download this PDF first and then click on it.

CLICK HERE TO **DOWNLOAD** THE COMPLETE MANUAL

TM-ZR230 41110210820A FRAME/STD,RADIO CONT.,HOOK-IN

Pos No.	Parts No	Parts Name	Qty	Unit	Technical Data	Serial No (Start)	Serial No (End)	Remark
1	36652780000	PUMP,OIL (27CC:L)	1					
2	36654600000	PUMP,HYDRAULIC (27CC:L)	1					

TM-ZR230 41110210820A FRAME/STD,RADIO CONT.,HOOK-IN

Pos No.	Parts No	Parts Name	Qty	Unit	Technical Data	Serial No (Start)	Serial No (End)	Remarks	Pages
1	36400835010	CASE	1						
2	36400835020	GEAR	1						
3	36400835030	SHAFT	1						
4	36400835040	GEAR	1						
5	36400095040	SHAFT	1						
6	36400095050	COLLAR	1						
7	36400095100	SHIFTER ASSY	1						
8	36400095110	PACKING	1						
9	36400095070	COVER (BEARING)	1						
10	36400095080	PACKING (COVER)	1						
11	36400095090	SHIM	1						
12	80500006305	BEARING,BALL	2						
13	36400095120	BEARING	2						
14	91206025005	SEAL,OIL	1						
15	36400095130	WASHER	1						
16	90101206012	BOLT	1		M6X12				
17	80602110520	RING,RITAINING	2		R52				
18	90191208014	BOLT	3		M8X14				
19	90191208020	BOLT	4		M8X20				
20	90302040801	WASHER,SPRING	7		8				
23	36400835070	SPACER	1						
24	36400835080	PACKING (CASE)	2						
25	36400835090	BOLT	2		M10X40X1.25				
26	90193210025	BOLT	4		M10X25				
27	90267201000	NUT	2		M10				
28	90302041001	WASHER,SPRING	6		10				
29	31790680100	SUPPORT	1						
30	90191208025	BOLT	2		M8X25				
50	36400830000	POWER TAKE OFF	1						
100	31790760000	POWER TAKE OFF	1						

TM-ZR230 41110210820A FRAME/STD,RADIO CONT.,HOOK-IN

Pos No.	Parts No	Parts Name	Qty	Unit	Technical Data	Serial No (Start)	Serial No (End)	Remarks	Page
1	36401125160	CASE	1						
2	36401125170	GEAR	1						
3	36401125030	SHAFT (TO)	1						
4	36401125040	SLEEVE	1						
5	36401125050	SHIFTER SET	1						
6	36400095110	PACKING	1						
7	36400095070	COVER (BEARING)	1						
8	36400095080	PACKING (COVER)	1						
9	36400095090	SHIM	1						
10	36401125180	COLLAR	1						
11	80500006903	BEARING,BALL	1						
12	36401125080	BEARING,ROLLER	2						
13	36401125090	BEARING,NEEDLE	1						
14	91206030005	SEAL,OIL	1						
15	36401125100	RING,RETAINING	1						
16	90191208020	BOLT	4		M8X20				
17	90191208014	BOLT	3		M8X14				
18	90302040801	WASHER,SPRING	7		8				
20	36401125120	PACKING (CASE)	1						
21	90191210100	BOLT	1		M10X100				
22	90191210090	BOLT	1		M10X90				
23	90191210030	BOLT	2		M10X30				
24	36400095150	BOLT,STUD	1		M10X1.25/1.5X43				
25	36401125140	BOLT	1						
26	90267201000	NUT	2		M10				
27	90302041001	WASHER,SPRING	6		10				
28	31790880100	SUPPORT	1						
29	90191208025	BOLT	2		M8X25				
50	36401120001	POWER TAKE OFF	1						
100	31790880000	POWER TAKE OFF	1						

TM-ZR230 41110210820A FRAME/STD,RADIO CONT.,HOOK-IN

Pos No.	Parts No	Parts Name	Qty	Unit	Technical Data	Serial No (Start)	Serial No (End)	Remarks	Pages
1	36401645010	CASE	1						
2	36401645020	GEAR	1						
3	36401645030	SHAFT	1						
4	36401645040	GEAR	1						
5	36400095040	SHAFT	1						
6	36400095100	SHIFTER ASSY	1						
7	36400095110	PACKING	1						
8	36400095070	COVER (BEARING)	1						
9	36400095080	PACKING (COVER)	1						
10	36400095090	SHIM	N						
11	36400095050	COLLAR	1						
12	80500006206	BEARING,BALL	2						
13	36400095120	BEARING	2						
14	91206030005	SEAL,OIL	1						
15	80602110520	RING,RITAINING	2		R52				
16	90710006160	SCREW,SET	1		M6X16				
17	90191208014	BOLT	3		M8X14				
18	90191208020	BOLT	2		M8X20				
19	90302040801	WASHER,SPRING	7		8				
20	36400055070	PACKING	1						
21	90193210025	BOLT	4		M10X25				
22	36400195030	BOLT,STUD	2						
23	90267201000	NUT	2		M10				
24	90302041001	WASHER,SPRING	6		10				
26	31791050100	SUPPORT	1						
27	90191208025	BOLT	2		M8X25				
50	36401640000	POWER TAKE OFF	1						
100	31791050000	POWER TAKE OFF	1						

TM-ZR230 41110210820A FRAME/STD,RADIO CONT.,HOOK-IN

Pos No.	Parts No	Parts Name	Qty	Unit	Technical Data	Serial No (Start)	Serial No (End)	Remarks	Pages
1	36401745010	CASE	1						
2	36401745020	GEAR	1						
3	36401745030	SHAFT	1						
4	36400095040	SHAFT	1						
5	36400095050	COLLAR	1						
6	36401745040	GEAR	1						
7	36400095070	COVER (BEARING)	1						
8	36400095080	PACKING (COVER)	1						
9	36400095090	SHIM	N						
10	36401745050	SHIFTER ASSY	1						
11	36400095110	PACKING	1						
12	80500006206	BEARING,BALL	2						
13	91206030005	SEAL,OIL	1						
14	90191208014	BOLT	3		M8X14				
15	90101208020	BOLT	4		M8X20				
16	90101206012	BOLT	1		M6X12				
17	90302040801	WASHER,SPRING	7		8				
18	36400095130	WASHER	1						
19	36401745060	BEARING	2						
20	80602110470	RING,RITAINING	2		R47				
21	36401745070	SPACER	1						
22	36400055070	PACKING	2						
23	36401745080	BOLT,STUD	6						
24	90267201000	NUT	6		M10				
25	90302041001	WASHER,SPRING	8		10				
26	36401725070	SUPPORT (PUMP)	1						
27	36401725080	BOLT	2		M10X35				
30	31791100100	SUPPORT	1						
31	90191208025	BOLT	2		M8X25				
50	36401740000	POWER TAKE OFF	1						
100	31791120000	POWER TAKE OFF	1						

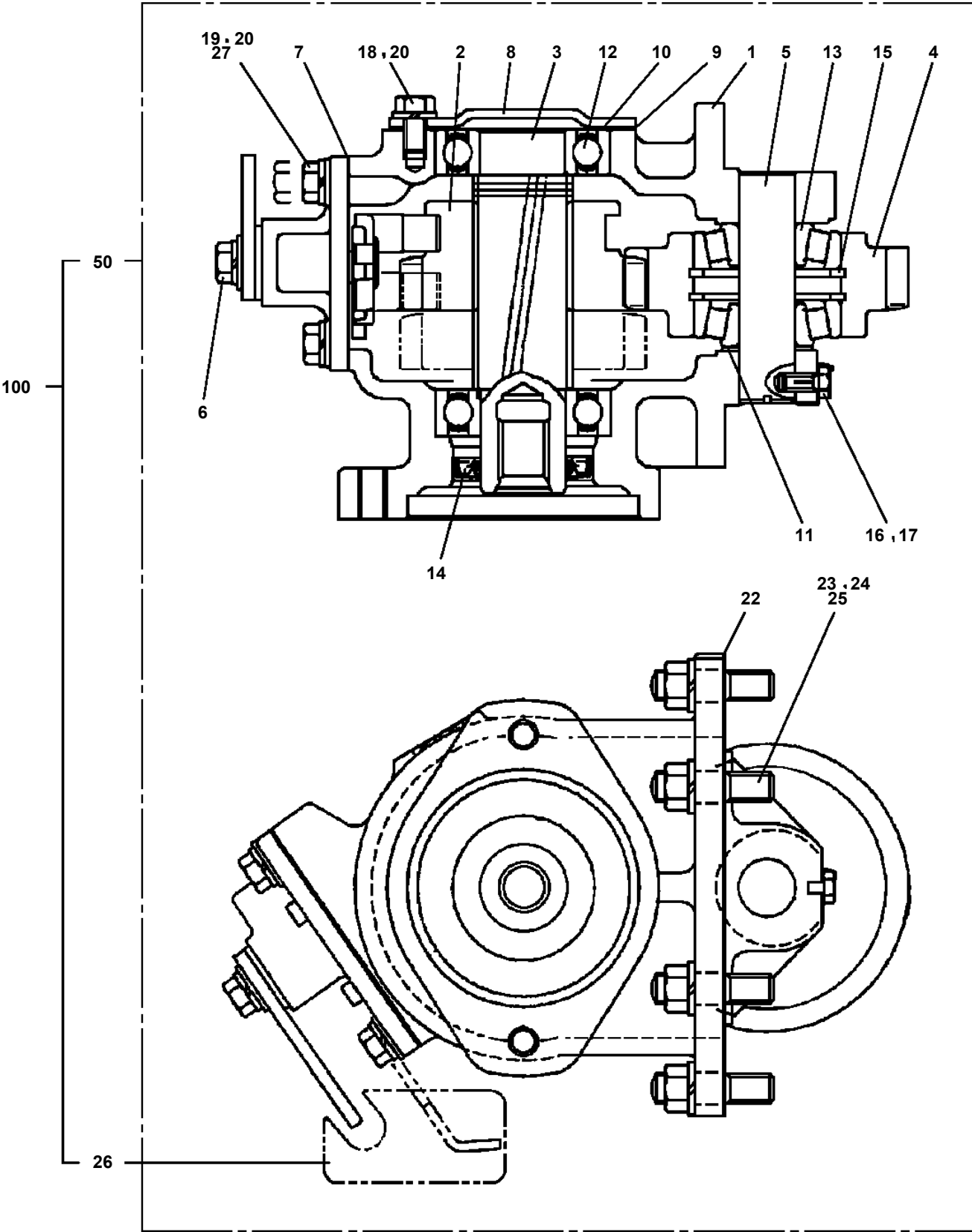
TM-ZR230 41110210820A FRAME/STD,RADIO CONT.,HOOK-IN

Pos No.	Parts No	Parts Name	Qty	Unit	Technical Data	Serial No (Start)	Serial No (End)	Remarks	Page
1	36401885010	CASE	1						
2	36401885020	GEAR	1						
3	36400915030	SHAFT	1						
4	36401885030	GEAR	1						
5	36400415050	SHAFT	1						
6	36400675030	COLLAR	1						
7	36401725050	SHIFTER ASSY	1						
8	36400095110	PACKING	1						
9	36400095070	COVER (BEARING)	1						
10	36400095080	PACKING (COVER)	1						
11	36400095090	SHIM	N						
12	80500006206	BEARING,BALL	2						
13	91206030005	SEAL,OIL	1						
14	91001102100	O-RING	1		1A P21				
15	90710006200	SCREW,SET	1		M6X20				
16	90191208020	BOLT	4		M8X20				
17	90191208014	BOLT	3		M8X14				
18	90302040801	WASHER,SPRING	7		8				
19	36400135070	BEARING	2						
20	80602110620	RING,RITAINING	2		R62				
22	36401885050	PACKING	1						
23	36400095150	BOLT,STUD	2		M10X1.25/1.5X43				
24	90191210030	BOLT	6		M10X30				
25	90267201000	NUT	2		M10				
26	90302041001	WASHER,SPRING	8		10				
27	90191208025	BOLT	2		M8X25				
28	31790670100	SUPPORT	1						
50	36401880000	POWER TAKE OFF	1						
100	31792490000	POWER TAKE OFF	1						

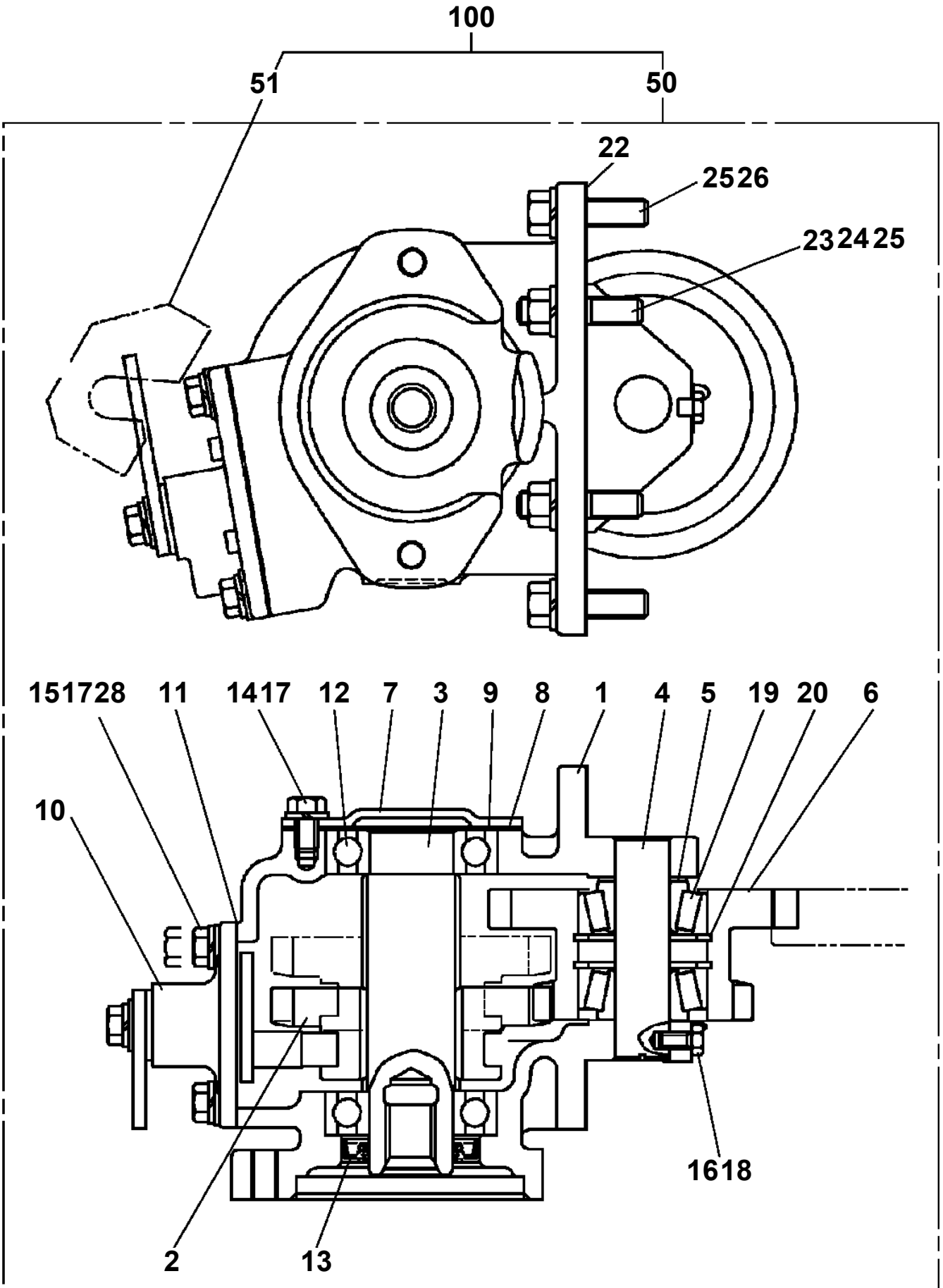
TM-ZR230 41110210820A FRAME/STD,RADIO CONT.,HOOK-IN

Pos No.	Parts No	Parts Name	Qty	Unit	Technical Data	Serial No (Start)	Serial No (End)	Remarks	Pages
1	36401130001	POWER TAKE OFF	1						00001
2	31790880100	SUPPORT	1						
50	31790890000	POWER TAKE OFF	1						

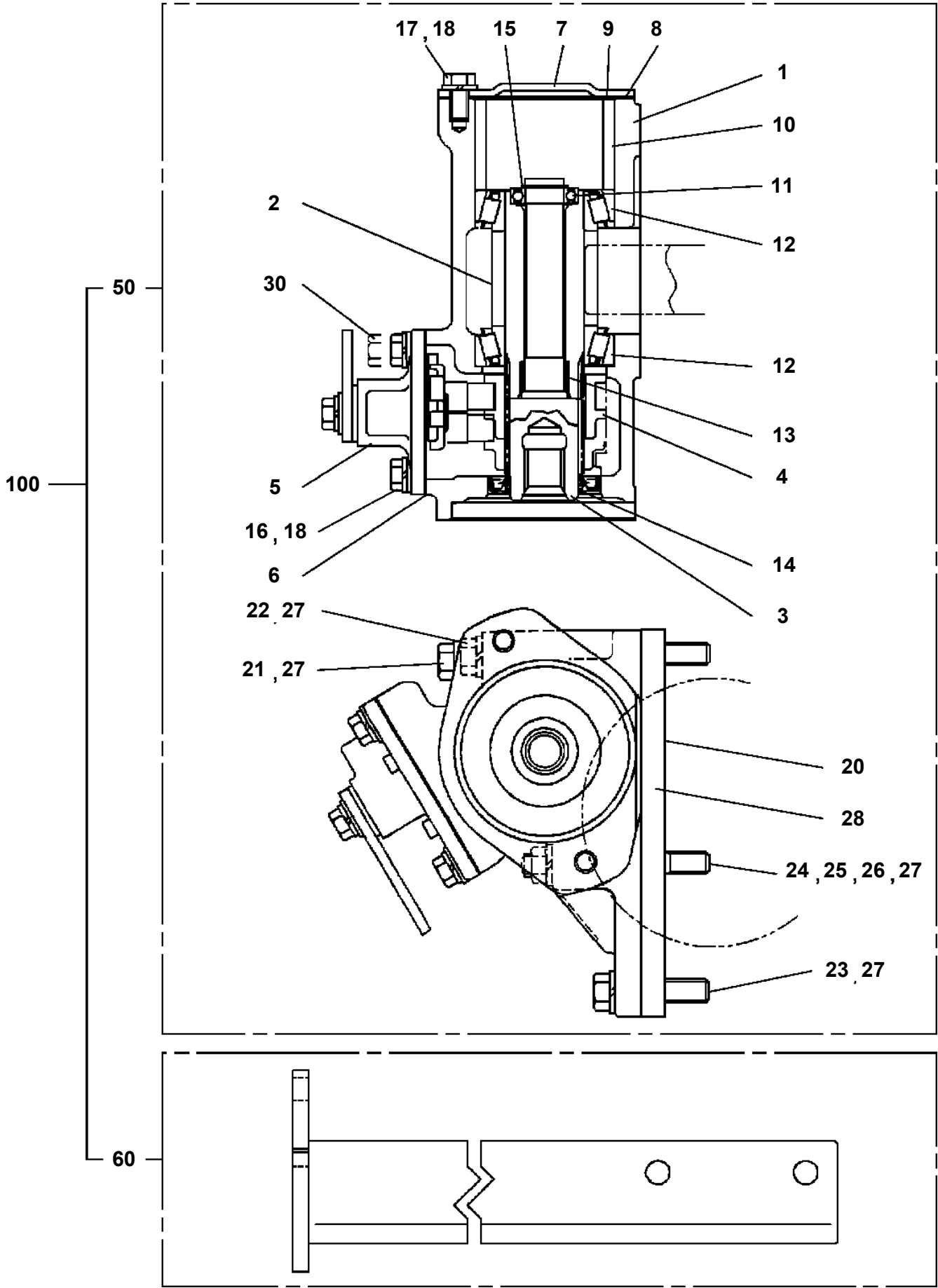
TM-ZR230 41110210820A FRAME/STD,RADIO CONT.,HOOK-IN
PB1030211-01 POWER TAKE OFF



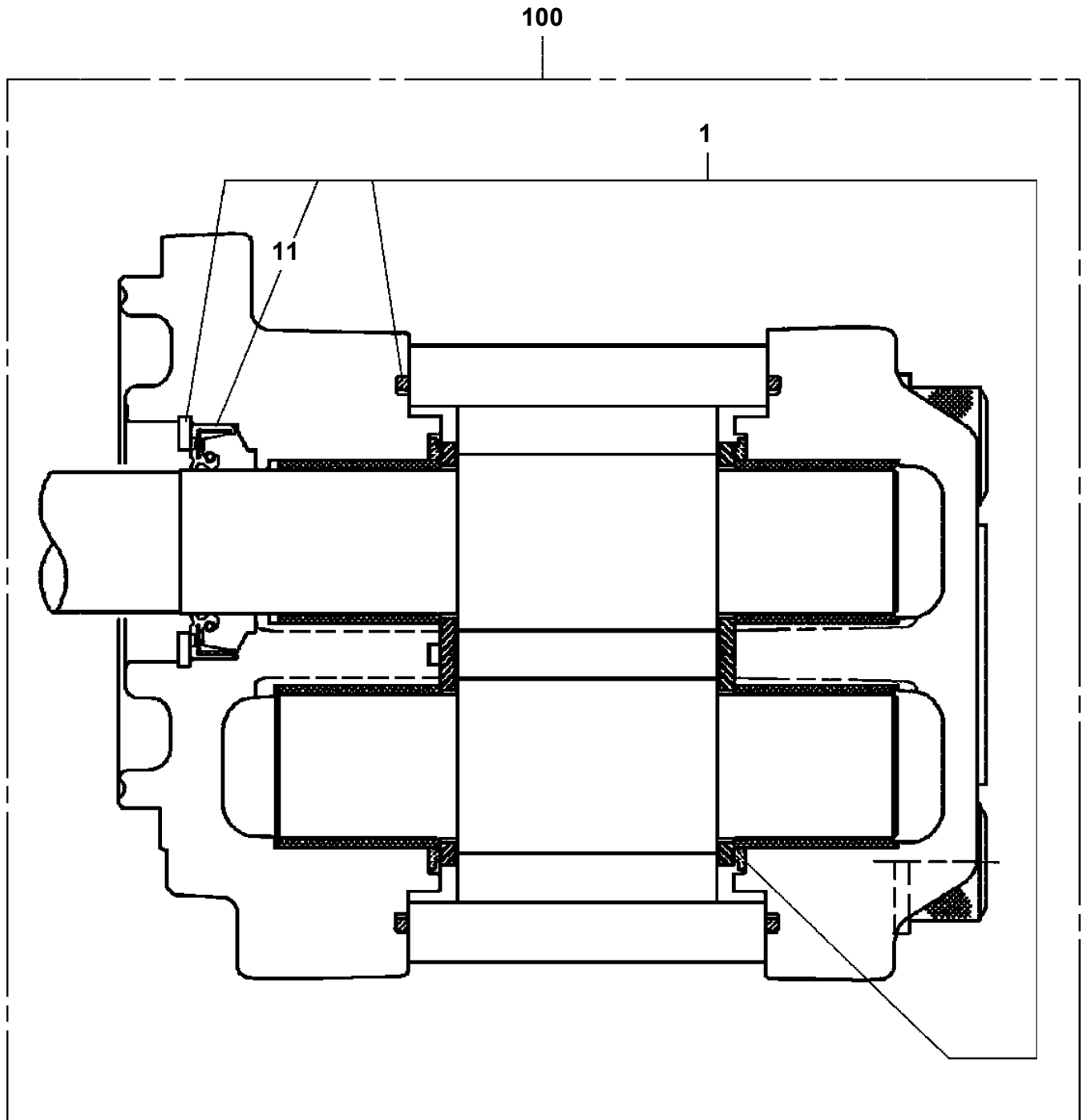
TM-ZR230 41110210820A FRAME/STD,RADIO CONT.,HOOK-IN
PB1030223-00 POWER TAKE OFF



TM-ZR230 41110210820A FRAME/STD,RADIO CONT.,HOOK-IN
PB1030229-00 POWER TAKE OFF

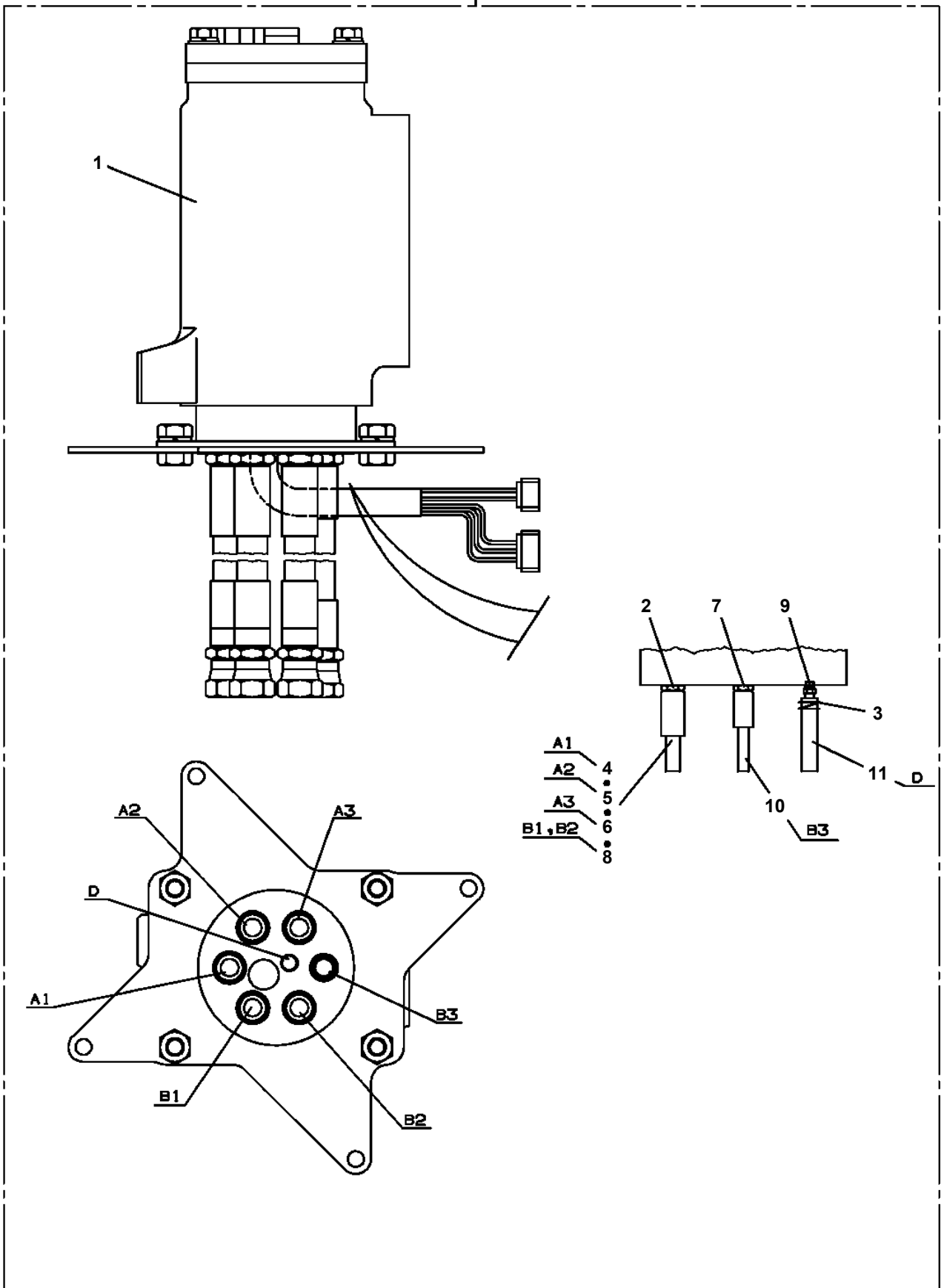


TM-ZR230 41110210820A FRAME/STD,RADIO CONT.,HOOK-IN
PB1100352-01 PUMP,HYDRAULIC (27CC:L)

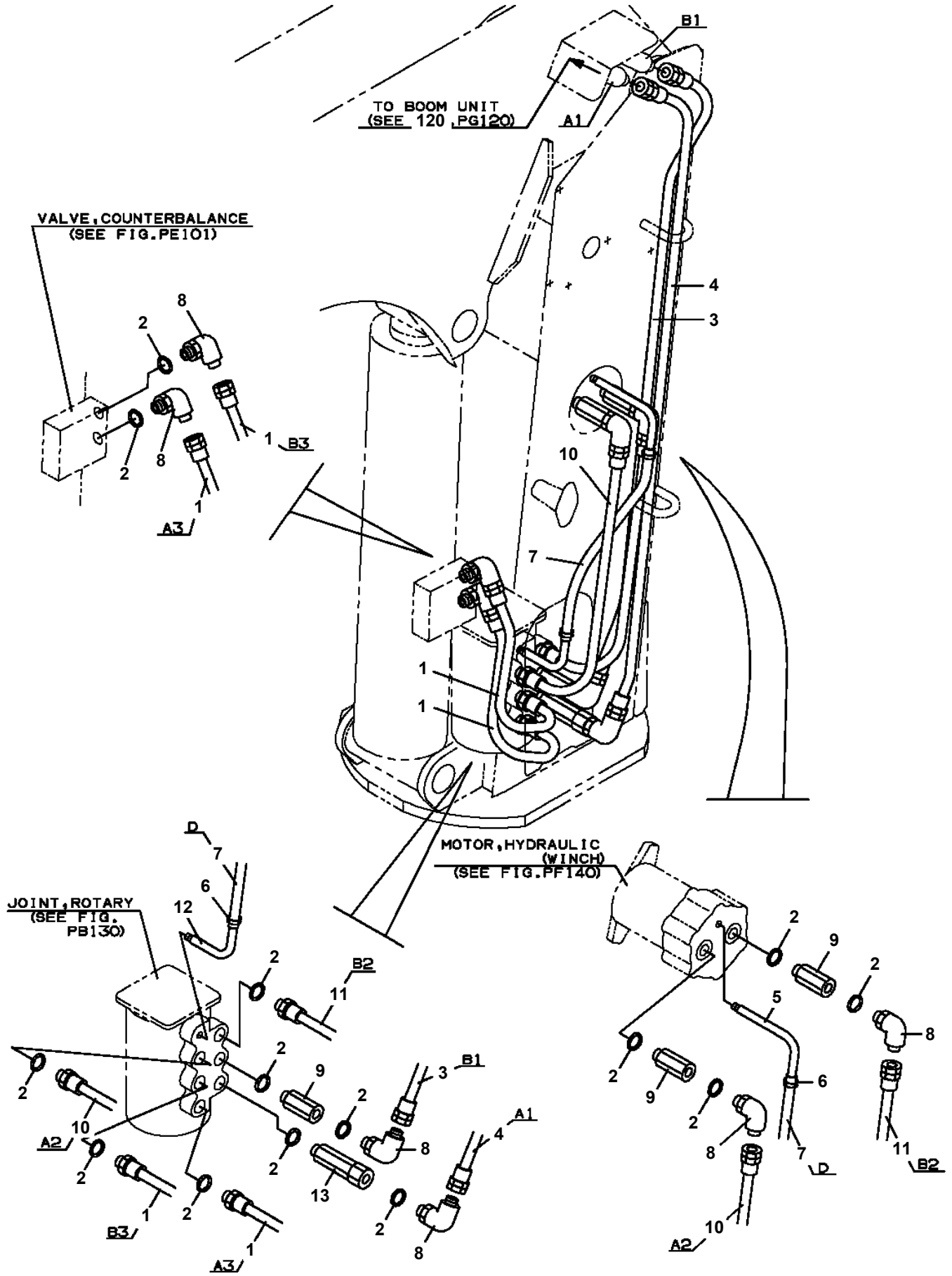


TM-ZR230 41110210820A FRAME/STD,RADIO CONT.,HOOK-IN
 PB1300338-01 JOINT,ROTARY

50



**TM-ZR230 41110210820A FRAME/STD,RADIO CONT.,HOOK-IN
PB1400315-00 PIPING,UPPER**



TM-ZR230 41110210820A FRAME/STD,RADIO CONT.,HOOK-IN

Pos No.	Parts No	Parts Name	Qty	Unit	Technical Data	Serial No (Start)	Serial No (End)
1	(*****)	POWER TAKE OFF ASSY (SELECTION)	1				
2	(*****)	PUMP ASSY (SELECTION)	1				

TM-ZR230 41110210820A FRAME/STD,RADIO CONT.,HOOK-IN

Pos No.	Parts No	Parts Name	Qty	Unit	Technical Data	Serial No (Start)	Serial No (End)
1	91001101000	O-RING	2		1A P10		ET4040
	91002801000	O-RING	2		1B P10	ET4041	
2	90172110035	BOLT,HEXAGON SOCKET	2		M10X35		
3	36623930000	VALVE,PILOT CHECK	1				
4	36033640000	CYLINDER ASSY,JACK	1				
5	80491002020	JOINT (WITH O-RING)	2				
21	91002902500	O-RING	1		1B G25		
22	91350206000	BEARING,PLAIN (WITH PACKINGX2)	1				
23	36033643000	PISTON	1				
24	36033642000	ROD	1				
25	36033641000	CYLINDER	1				
26	36013823200	COVER,ROD	1				
27	91002905500	O-RING	1		1B G55		
28	91694004500	PACKING	1				
29	91410204502	RING,BACKUP	1				
30	91660004501	SEAL,DUST	1				
41	36033169910	PACKING SET	1		45X60		
51	91002801100	O-RING	2		1B P11		

TM-ZR230 41110210820A FRAME/STD,RADIO CONT.,HOOK-IN

Pos No.	Parts No	Parts Name	Qty	Unit	Technical Data	Serial No (Start)	Serial No (End)
1	36031780100	CYLINDER	1				
2	90211203000	NUT	1		M30X3/2		
3	36032110300	PISTON	1				
4	91350207500	BEARING,PLAIN (WITH PACKINGX2)	1				
5	91002903000	O-RING	1		1B G30		
6	36010130080	COVER,ROD	1				
7	91002907000	O-RING	1		1B G70		
8	91694006000	PACKING	1				
9	91660006001	SEAL,DUST	1				
10	36033741000	ROD	1				
20	36033749900	PACKING SET	1		60X75		
50	36033740000	CYLINDER,JACK (COLD-FORGED)	1				

CLICK HERE TO **DOWNLOAD** THE COMPLETE MANUAL

- Thank you very much for reading the preview of the manual.
- You can download the complete manual from: www.heydownloads.com by clicking the link below



- Please note: If there is no response to CLICKING the link, please download this PDF first and then click on it.

CLICK HERE TO **DOWNLOAD** THE COMPLETE MANUAL

TM-ZR230 41110210820A FRAME/STD,RADIO CONT.,HOOK-IN

Pos No.	Parts No	Parts Name	Qty	Unit	Technical Data	Serial No (Start)	Serial No (End)	Re
1	80136332020	PIN,SPLIT	1		3.2X20			
2	31330920700	PLATE	1					
3	31330920800	PIN	1					
4	37001201380	SPRING	1					
5	37001707090	CABLE,CONTROL (NIHON FLEX)	1					
6	37000161150	PIN	1					
7	80613310060	RING,RITAINING	1		6			
8	31330921100	GRIP	1					
9	91810130250	FASTENER	1					

TM-ZR230 41110210820A FRAME/STD,RADIO CONT.,HOOK-IN

Pos No.	Parts No	Parts Name	Qty	Unit	Technical Data	Serial No (Start)	Serial No
1	80561100080	NUT	1		AN08		
2	80602110800	RING,RITAINING	1		R80		
3	36080495210	SPACER	1				
4	80500006208	BEARING,BALL	1				
5	36080495220	WORM	1				
6	36080755030	BEARING,NEEDLE	1		BK3020+IR25*30*18		
7	36080495090	GAUGE,OIL	1				
8	36080235080	WASHER,SEAL	1		M16		
9	80316090060	PLUG	1		KKT PT3/8		
10	80561100070	NUT	1		AN07		
15	91206055002	SEAL,OIL	1				
16	36080495042	CASE,GEAR	1				
17	80513006308	BEARING,BALL	1				
18	36080495050	BOLT,SEMS (M10X25,WITH WASHER)	6				
19	36080015000	PIN	2				
20	36080495060	KEY	1				
21	36080495070	WHEEL,WORM	1				
22	36080495230	CASE,GEAR	1				
23	80500006207	BEARING,BALL	1				
51	36081775500	GEAR,SPUR	1				
100	36081770000	REDUCER,SWING SPEED	1				

TM-ZR230 41110210820A FRAME/STD,RADIO CONT.,HOOK-IN

Pos No.	Parts No	Parts Name	Qty	Unit	Technical Data	Serial No (Start)	Serial No (End)	Remarks
1	31310647530	GEAR,SPUR	1					
2	31310647540	PIN	2					
3	31310707520	DRUM	1					
4	80516006306	BEARING,BALL	1					
5	80516006206	BEARING,BALL	1					
6	90172410025	BOLT,HEXAGON SOCKET	4		M10X25			
7	90302041001	WASHER,SPRING	4		10			
100	31310701300	DRUM,WINCH (Y.G.TEC)	1					

TM-ZR230 41110210820A FRAME/STD,RADIO CONT.,HOOK-IN

Pos No.	Parts No	Parts Name	Qty	Unit	Technical Data	Serial No (Start)	Serial No (End)	Rema
1	37001500000	BOLT	1					
2	90302041201	WASHER,SPRING	1		12			
3	90303101201	WASHER,PLAIN	1		12			
4	90172110028	BOLT,HEXAGON SOCKET	3		M10X28			
5	90302041001	WASHER,SPRING	3		10			
6	90303071001	WASHER,PLAIN	3		10			
7	36072260000	WINCH (B)	1					
8	82401800080	PLUG (FOR M8)	2					
9	31310610500	BREATHER,AIR	1					
10	90172108025	BOLT,HEXAGON SOCKET	2		M8X25			
11	90302040801	WASHER,SPRING	2		8			
12	36662150000	MOTOR,HYDRAULIC (WINCH)	1					
13	91001206000	O-RING	1		1A G60			
14	37000137550	PIN	1					
15	90186210014	BOLT,FLANGE	2		M10X14			
16	37000306110	SPACER	1		L=16 TO 16.5			
17	31310391000	COVER	1					
18	31310701000	DRUM,WINCH (HARTYS)	1					
	31310701300	DRUM,WINCH (Y.G.TEC)	1					
19	37002600190	WEDGE	1		8			
20	37000306550	SPACER	1		L=18			

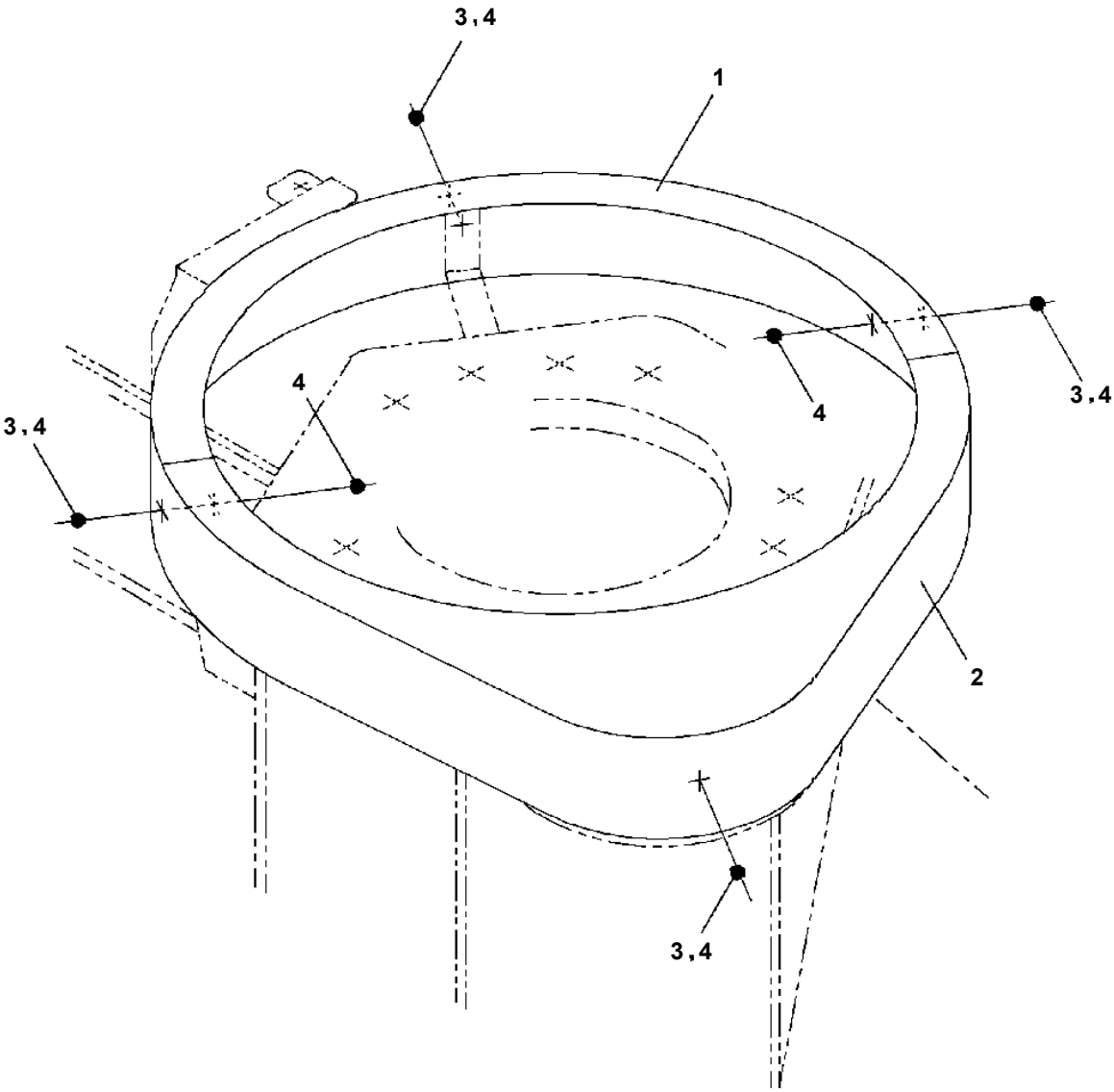
TM-ZR230 41110210820A FRAME/STD,RADIO CONT.,HOOK-IN

Pos No.	Parts No	Parts Name	Qty	Unit	Technical Data	Serial No (Start)	Serial No (End)	Rema
4	91001004800	O-RING	1		S48			
5	36661915020	HOLDER (OIL SEAL)	1					
6	91252102500	SEAL,OIL	1					
7	36661915030	PLATE (HOLDER)	1					
8	80602110520	RING,RITAINING	1		R52			
18	91001008500	O-RING	1		S-85			
21	36661925020	CYLINDER ASSY (LOCK)	1					
25	12413305020	KEY	1					
40	91410001800	RING,BACKUP	1		P18			
41	91002801800	O-RING	2		1B P18			
42	91001102201	O-RING	1		1A P22A			
43	91001102200	O-RING	1		1A P22			
50	36662190000	MOTOR,HYDRAULIC (SWING)	1					

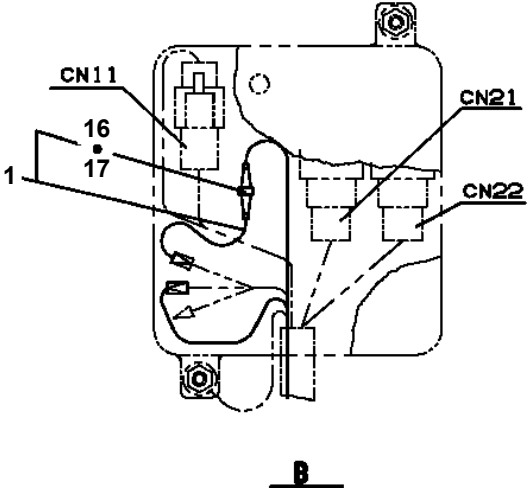
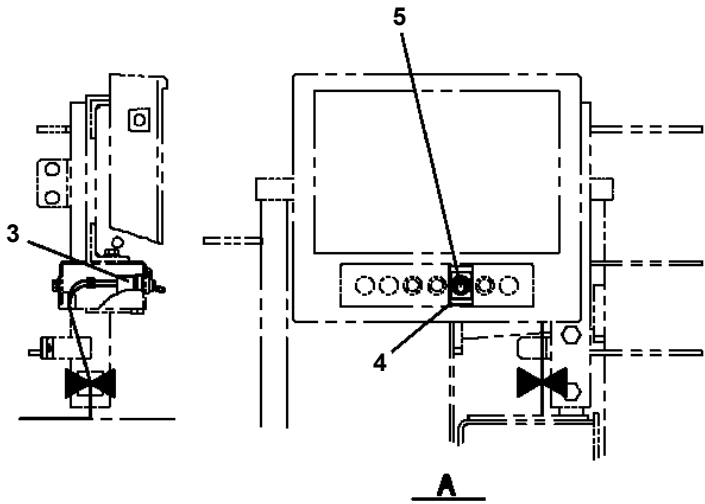
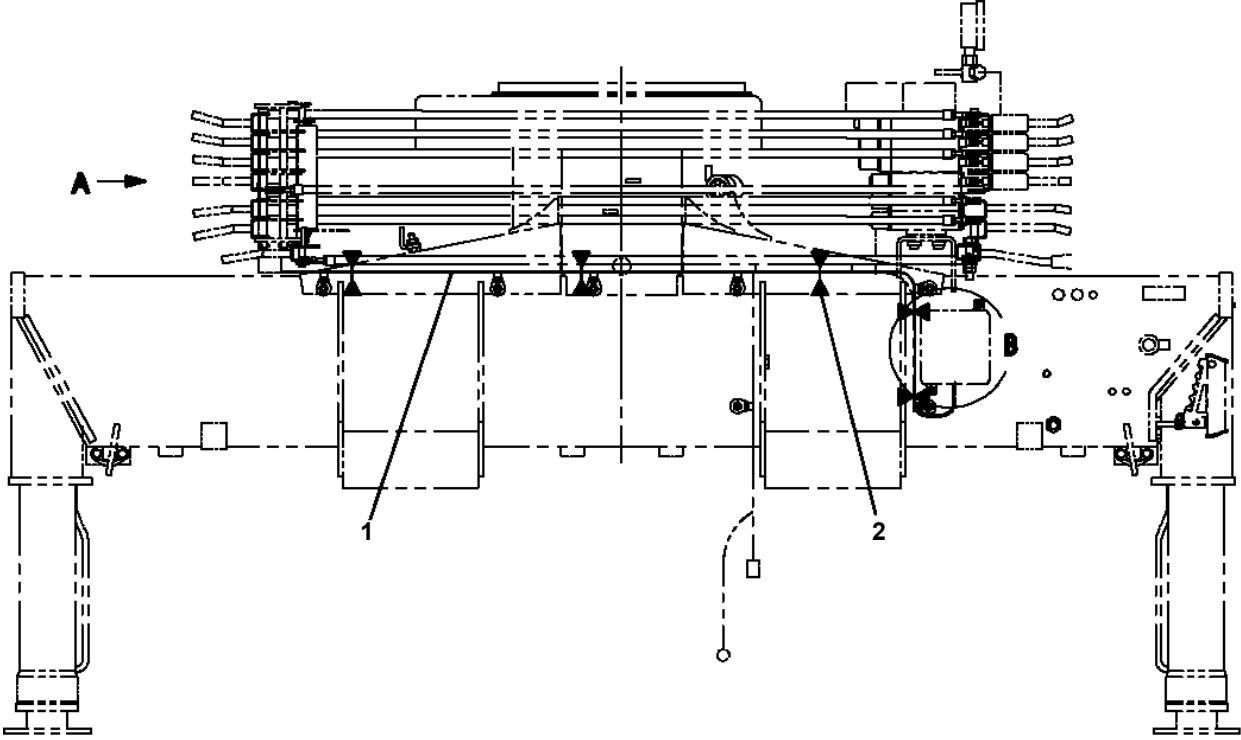
TM-ZR230 41110210820A FRAME/STD,RADIO CONT.,HOOK-IN

Pos No.	Parts No	Parts Name	Qty	Unit	Technical Data	Serial No (Start)	Serial No (End)	Remarks
4	36671025020	GASKET	1					
10	36672590000	FILTER,OIL (CARTRIDGE)	1					

TM-ZR230 41110210820A FRAME/STD,RADIO CONT.,HOOK-IN
PK1330101-00 COVER (SWING BEARING)



TM-ZR230 41110210820A FRAME/STD,RADIO CONT.,HOOK-IN
PN1012343-02 ELEC.ASSY (LAMP,LOWER/FRAME)



TM-ZR230 41110210820A FRAME/STD,RADIO CONT.,HOOK-IN

Pos No.	Parts No	Parts Name	Qty	Unit	Technical Data	Serial No (Start)	Serial No (End)	Remarks	Pages
1	36802952100	HARNESS	1						

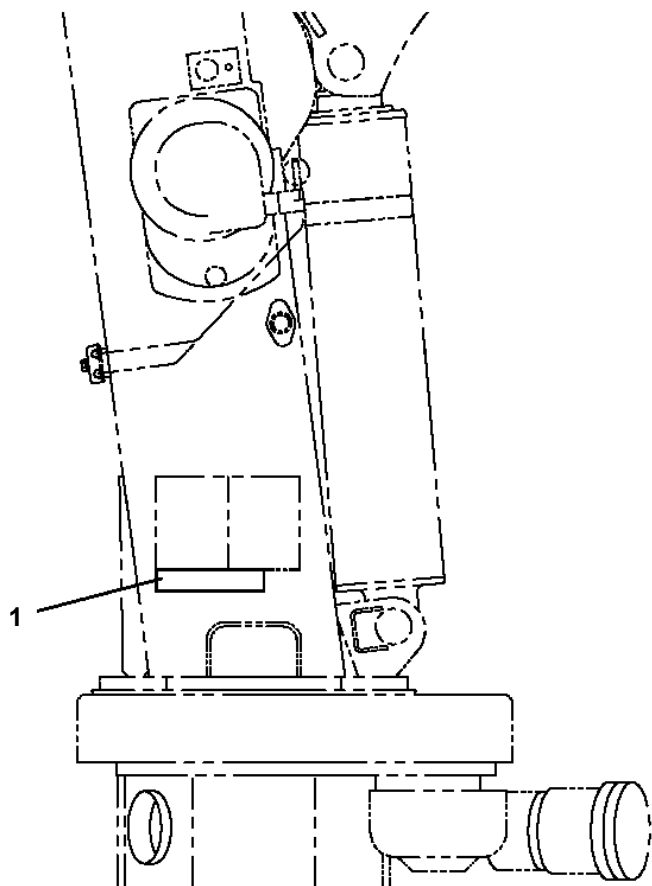
TM-ZR230 41110210820A FRAME/STD,RADIO CONT.,HOOK-IN

Pos No.	Parts No	Parts Name	Qty	Unit	Technical Data	Serial No (Start)	Serial No (End)
1	(*****)	ELEC.ASSY (LAMP,LOWER/FRAME)	1				
2	(*****)	ELEC.ASSY (24V60W LAMP/MOUNT,POST)	1				

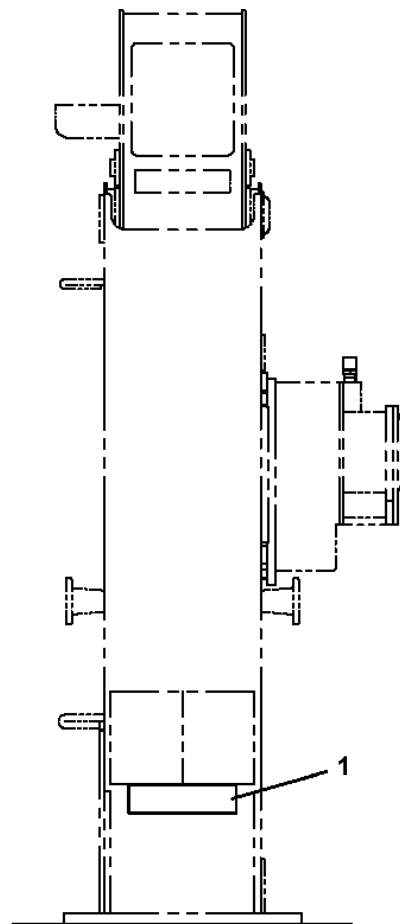
TM-ZR230 41110210820A FRAME/STD,RADIO CONT.,HOOK-IN

Pos No.	Parts No	Parts Name	Qty	Unit	Technical Data	Serial No (Start)	Serial No (End)
1	82101429241	SWITCH,PUSH (GREEN)	3				
10	31653223300	SWITCH ASSY (GREEN:PANASONIC)	1				

TM-ZR230 41110210820A FRAME/STD,RADIO CONT.,HOOK-IN
PO1013040-03 PLATE ASSY,NAME (1-PART LINE OPE.)




ZR300,360,500
ZE300,360,500

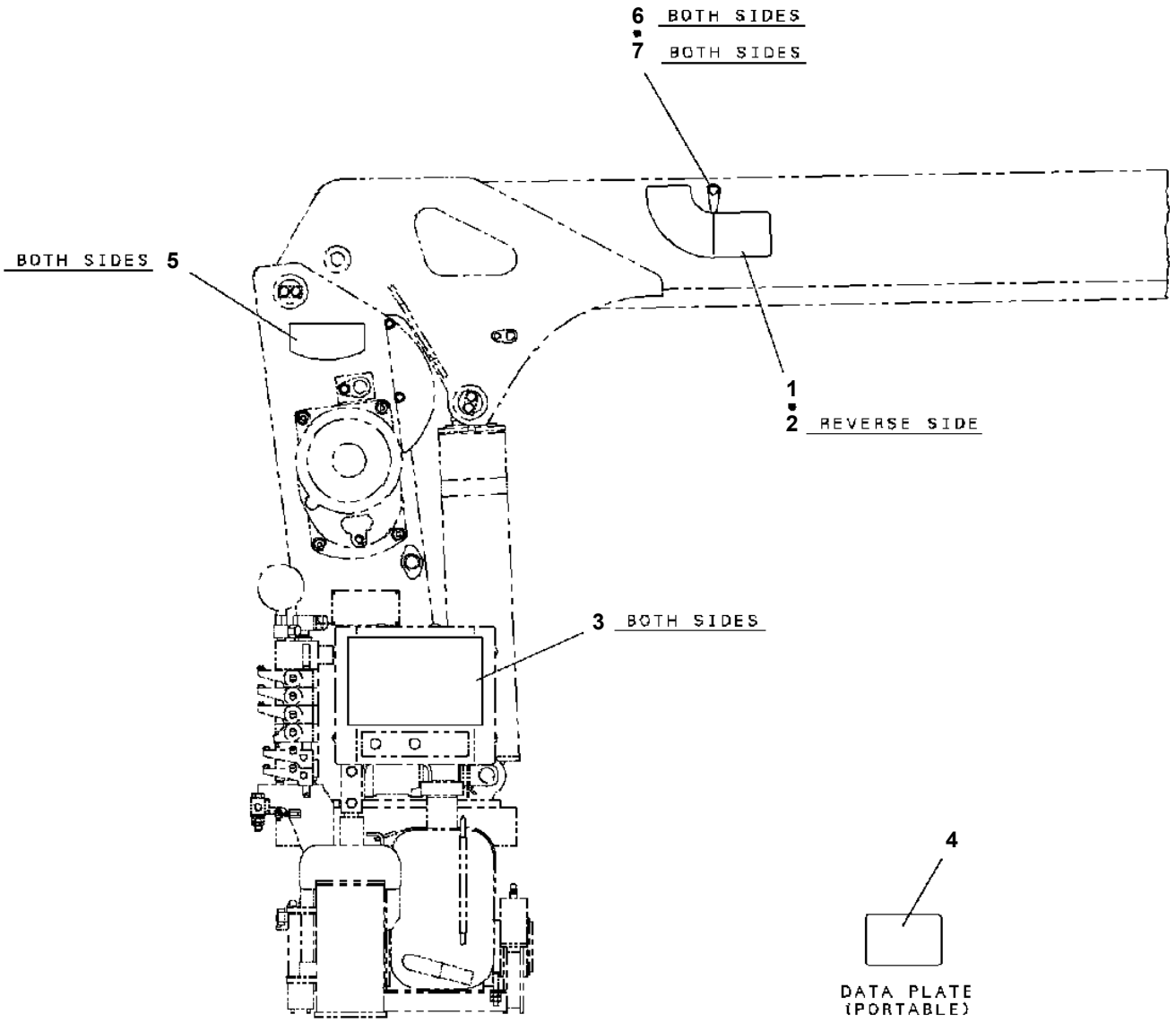


ZR230,260,290
ZE230,260,290

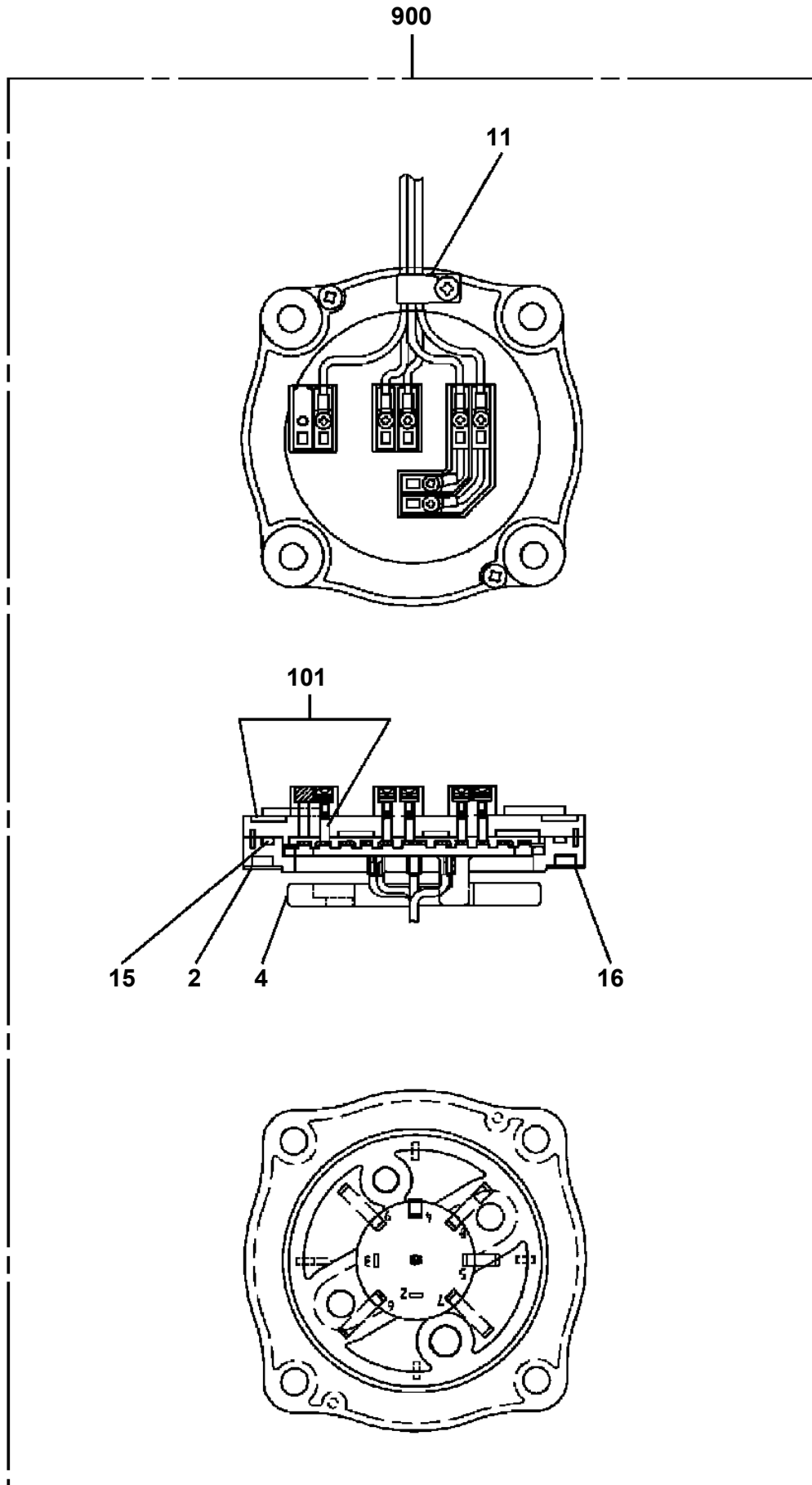
1

	注 意 / ウィンチ操作について
● 単索フック使用時のウィンチ操作は、安全のため 中速以下で行って下さい。	
314-771-68100	

TM-ZR230 41110210820A FRAME/STD,RADIO CONT.,HOOK-IN
PO1070368-00 PERFORMANCE DATA (CBZR232/A)

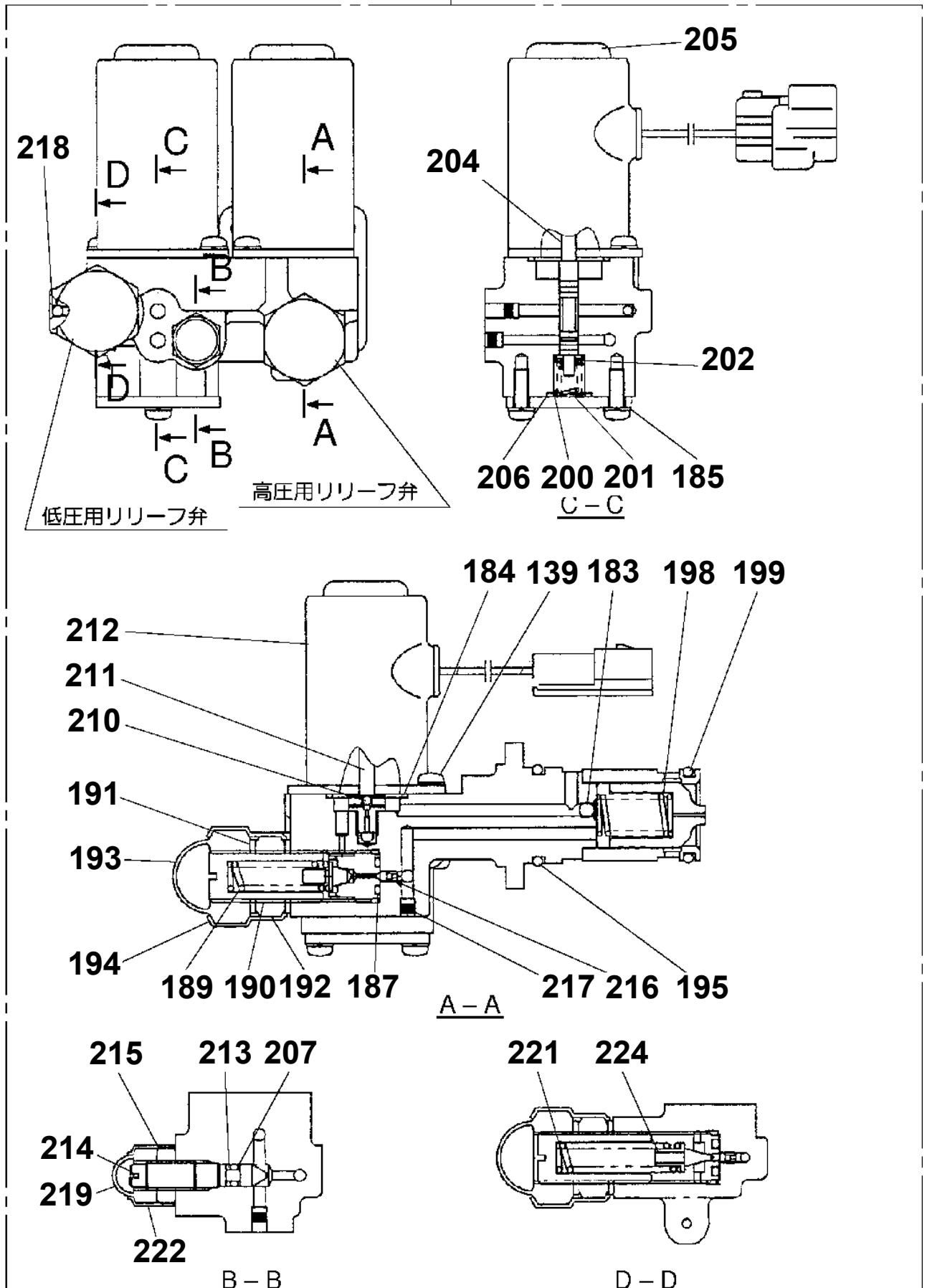


TM-ZR230 41110210820A FRAME/STD,RADIO CONT.,HOOK-IN
PR5130002-00 RING ASSY,SLIP

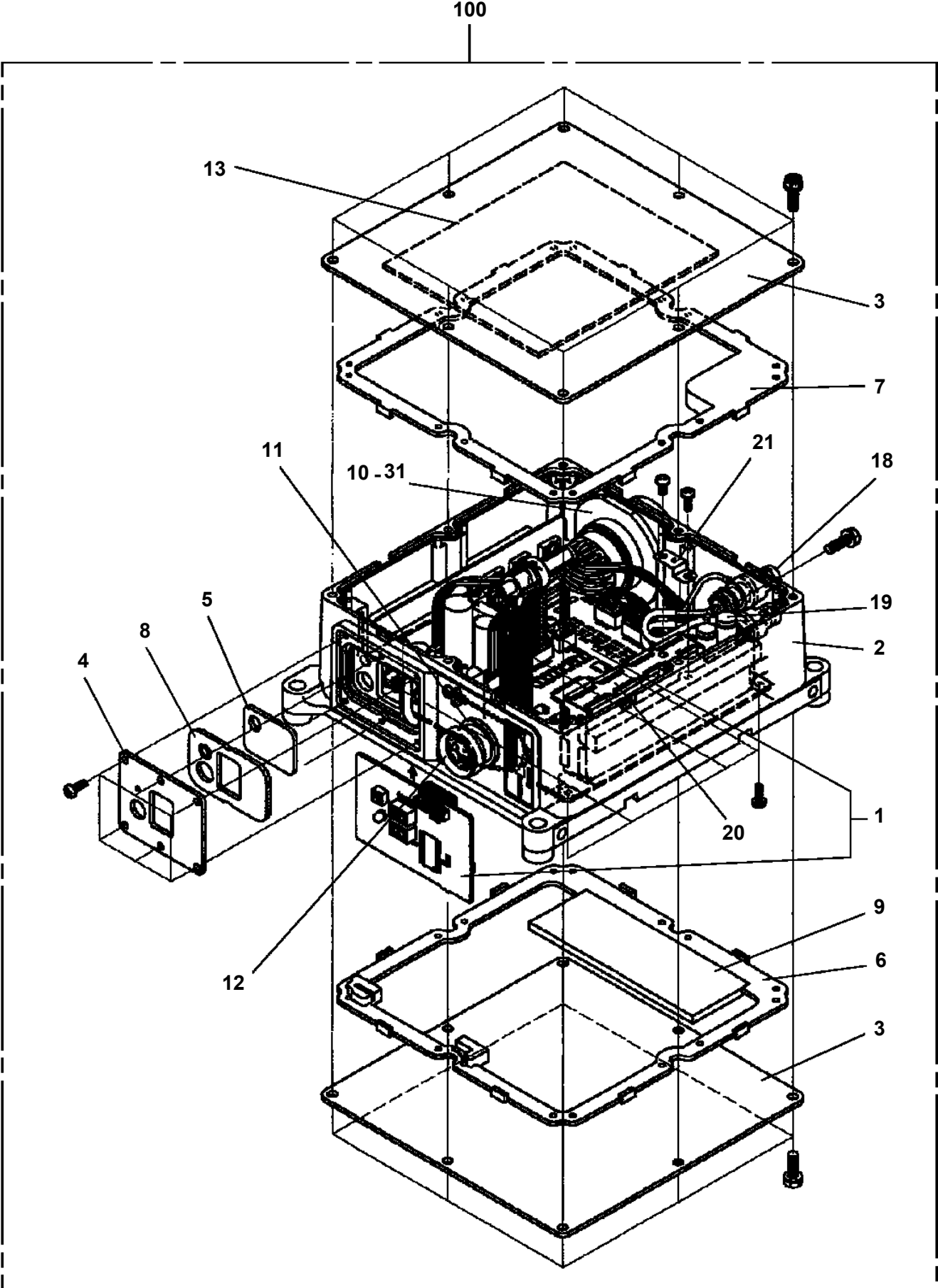


TM-ZR230 41110210820A FRAME/STD,RADIO CONT.,HOOK-IN
 PV1020237-00 VALVE,REMOTE CONTROL

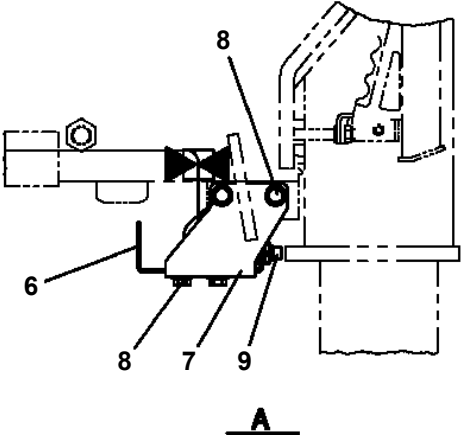
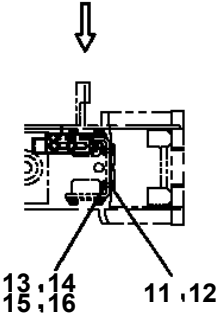
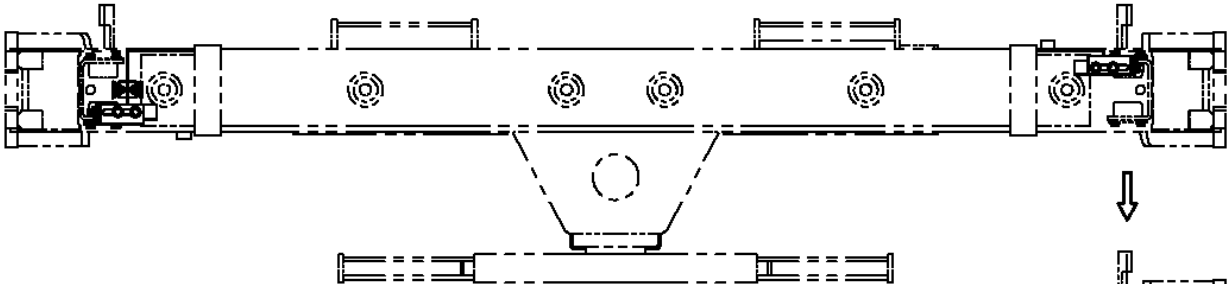
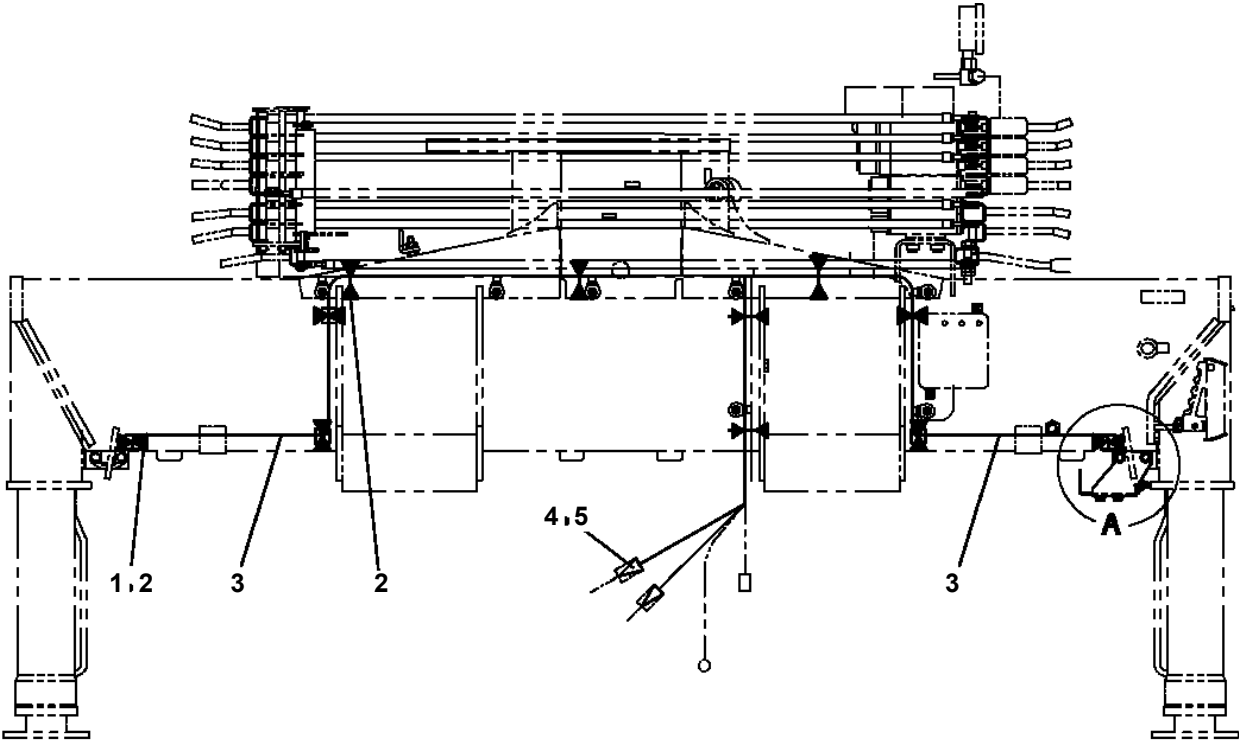
17



TM-ZR230 41110210820A FRAME/STD,RADIO CONT.,HOOK-IN
PV1040098-00 CONTROL UNIT



TM-ZR230 41110210820A FRAME/STD,RADIO CONT.,HOOK-IN
PY1560010-01 ALARM SYSTEM ((OUTRIGGER HARNESS))



CLICK HERE TO **DOWNLOAD** THE COMPLETE MANUAL

- Thank you very much for reading the preview of the manual.
- You can download the complete manual from: www.heydownloads.com by clicking the link below



- Please note: If there is no response to CLICKING the link, please download this PDF first and then click on it.

CLICK HERE TO **DOWNLOAD** THE COMPLETE MANUAL