

TM-ZR230 41110210721A FRAME/STD,RAC,NABI HOOK
PB000027-02 SYSTEM (ZR230,DOMESTIC)
ASSEMBLY

CLICK HERE TO **DOWNLOAD** THE COMPLETE MANUAL

- Thank you very much for reading the preview of the manual.
- You can download the complete manual from: www.heydownloads.com by clicking the link below



- Please note: If there is no response to CLICKING the link, please download this PDF first and then click on it.

CLICK HERE TO **DOWNLOAD** THE COMPLETE MANUAL

TM-ZR230 41110210721A FRAME/STD,RAC,NABI HOOK
PB1020005-00 PUMP ASSY (SELECTION)

- PUMP ASSY
- ポンプASSYの選定

指示番号 key No	PUMP MODEL ポンプ型式番号	RUNNING DIRECTION 回転方向
1	SGP1-30D2H9-LO21	COUNTERCLOCKWISE 左
2	KLP2230ANBST	COUNTERCLOCKWISE 左

[NOTE]

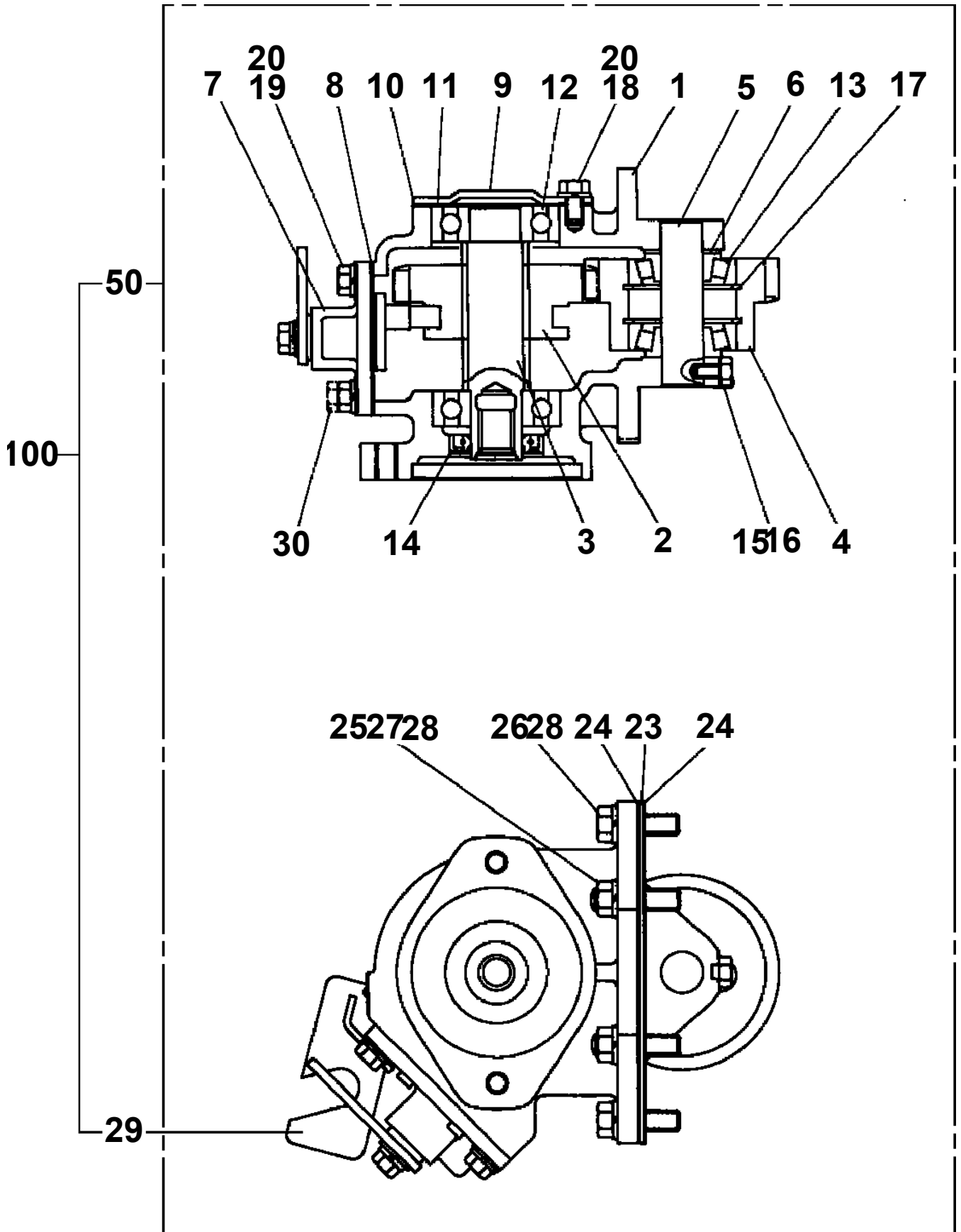
(1) PUMP MODEL NOS. ARE PUNCHED
ON PUMP NAMEPLATE.

(2) THE PUMP RUNNING DIRECTION
IS VIEWED FROM THE SHAFT
TOWARD THE PUMP.

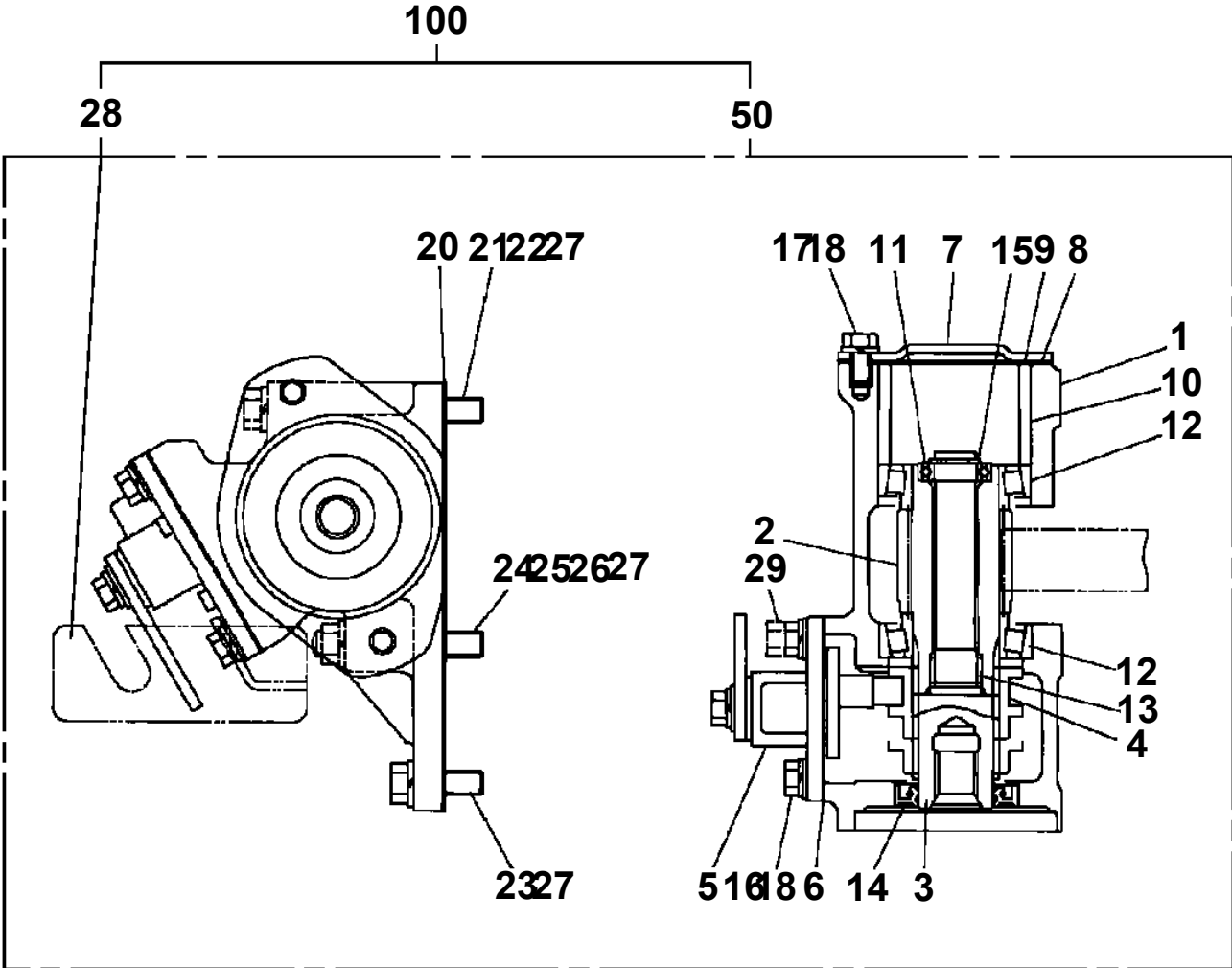
[注 意]

- (1) ポンプ型式番号はポンプ本体の銘板に打刻しています。
- (2) ポンプの回転方向はポンプの軸端から見ての回転方向です。

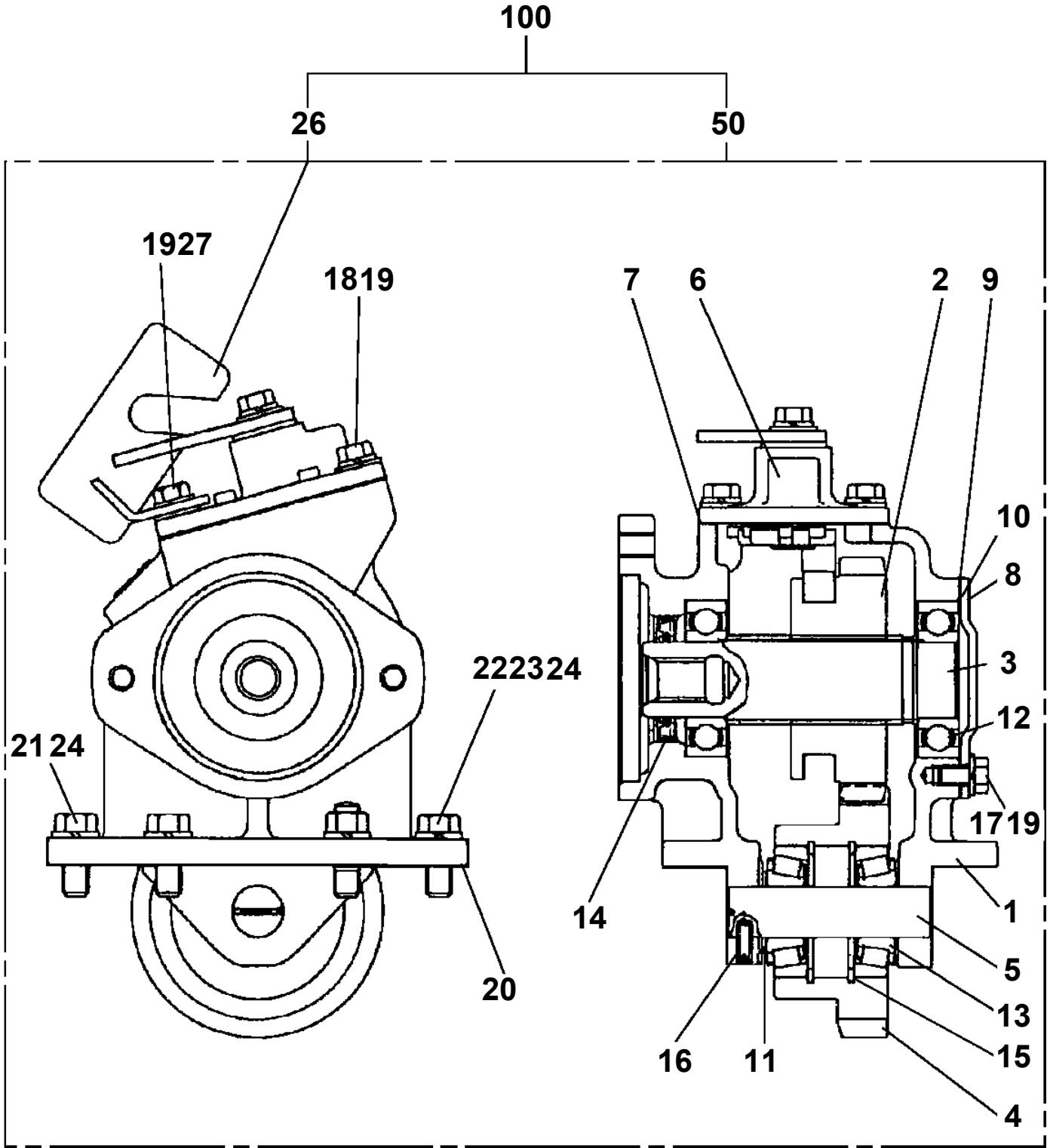
TM-ZR230 41110210721A FRAME/STD,RAC,NABI HOOK
PB1030100-01 POWER TAKE OFF



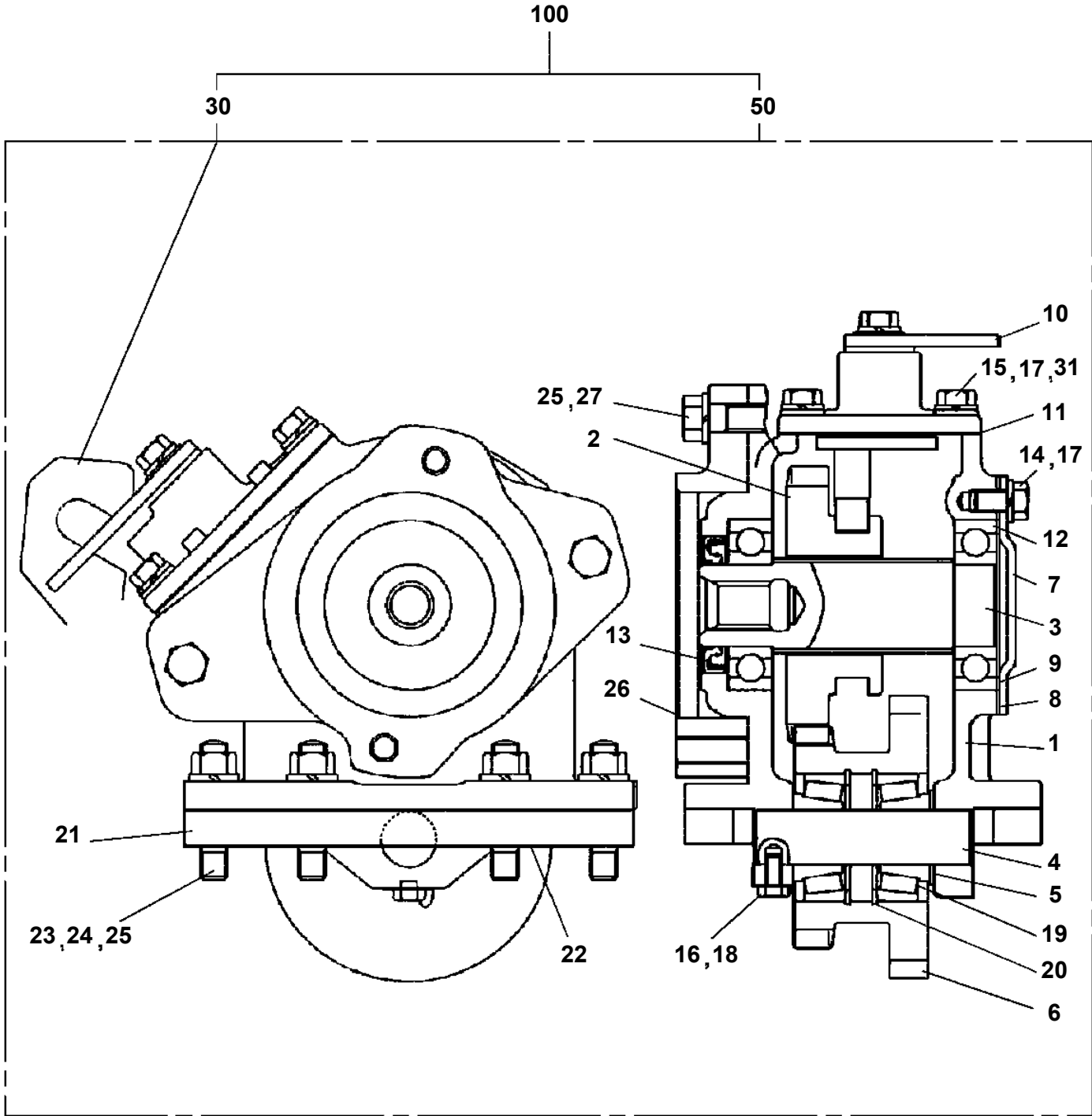
TM-ZR230 41110210721A FRAME/STD,RAC,NABI HOOK
PB1030132-01 POWER TAKE OFF



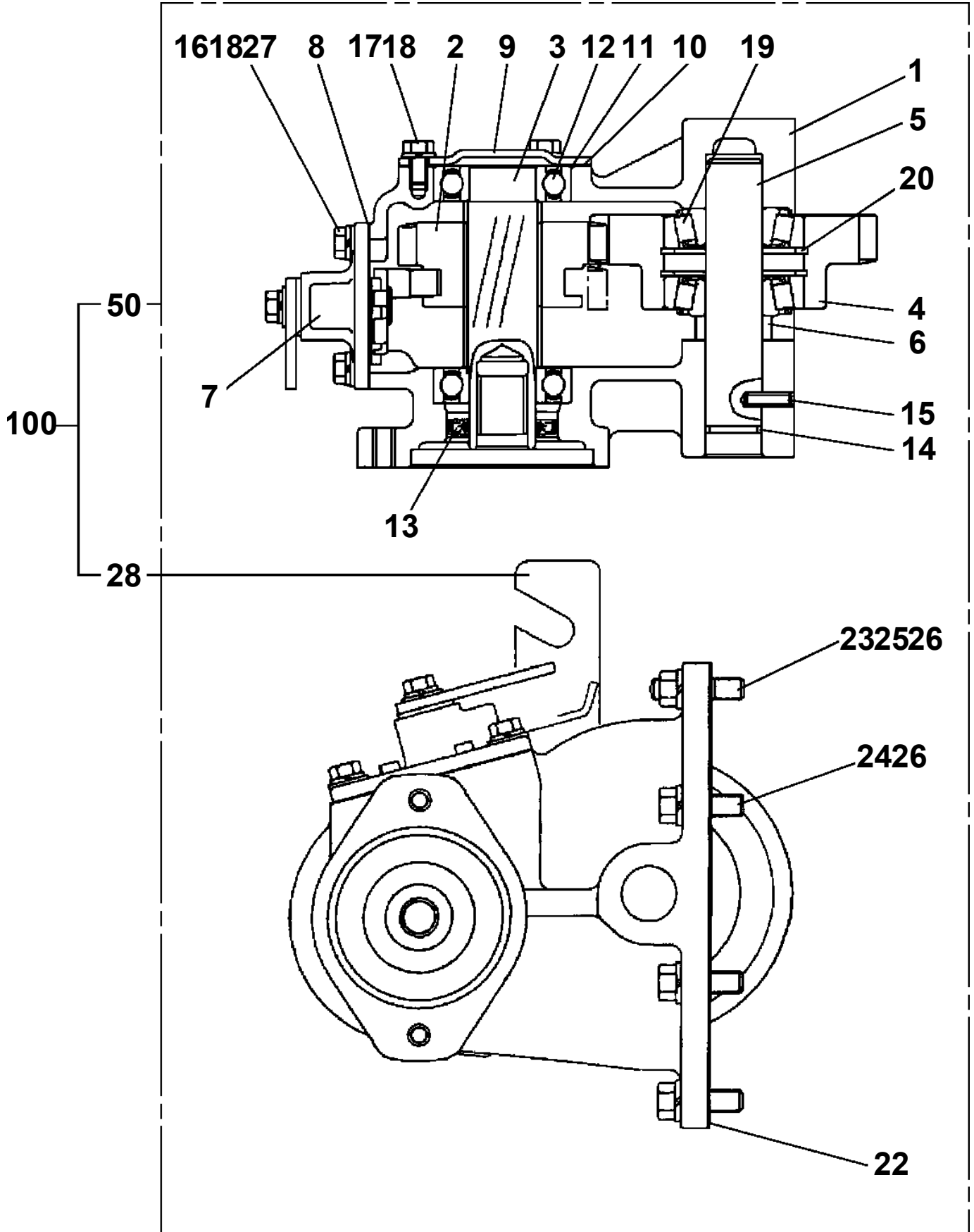
TM-ZR230 41110210721A FRAME/STD,RAC,NABI HOOK
PB1030165-01 POWER TAKE OFF



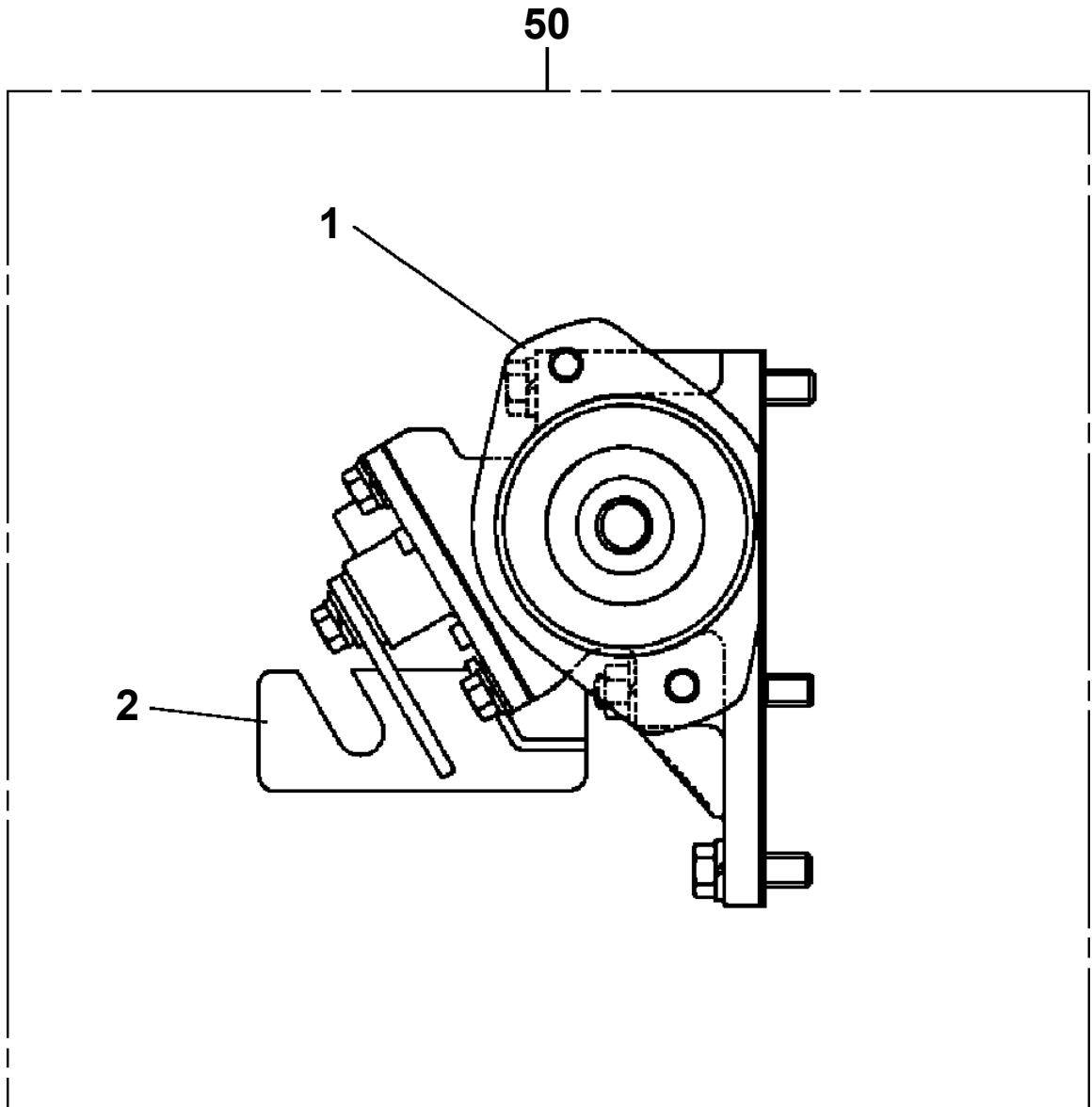
TM-ZR230 41110210721A FRAME/STD,RAC,NABI HOOK
PB1030172-02 POWER TAKE OFF



TM-ZR230 41110210721A FRAME/STD,RAC,NABI HOOK
PB1030192-01 POWER TAKE OFF



TM-ZR230 41110210721A FRAME/STD,RAC,NABI HOOK
PB1030205-00 POWER TAKE OFF



TM-ZR230 41110210721A FRAME/STD,RAC,NABI HOOK

Pos No.	Parts No	Parts Name	Qty	Unit	Technical Data	Serial No (Start)	Serial No (End)	Remarks	Pages
1	36401995010	CASE	1						
2	36401995020	GEAR	1						
3	36401995030	SHAFT	1						
4	36400095040	SHAFT	1						
5	36400095050	COLLAR	1						
6	36401995040	GEAR	1						
7	36400095070	COVER (BEARING)	1						
8	36400095080	PACKING (COVER)	1						
9	36400095090	SHIM	N						
10	36401995050	SHIFTER ASSY	1						
11	36400095110	PACKING	1						
12	80500006206	BEARING,BALL	2						
13	91206030005	SEAL,OIL	1						
14	90191208014	BOLT	3		M8X14				
15	90191208020	BOLT	4		M8X20				
16	90101206012	BOLT	1		M6X12				
17	90302040801	WASHER,SPRING	7		8				
18	36400095130	WASHER	1						
19	36401745060	BEARING	2						
20	80602110470	RING,RITAINING	2		R47				
22	36400055070	PACKING	1						
23	36401995060	BOLT	4						
24	90267401000	NUT	4		M10				
25	90302041001	WASHER,SPRING	6		10				
26	90193510035	BOLT	2		M10X35				
27	31791160100	SUPPORT	1						
28	90191208025	BOLT	2		M8X25				
50	36401990000	POWER TAKE OFF	1						
100	31791610000	POWER TAKE OFF	1						

TM-ZR230 41110210721A FRAME/STD,RAC,NABI HOOK

Pos No.	Parts No	Parts Name	Qty	Unit	Technical Data	Serial No (Start)	Serial No (End)	Remarks	Pages
1	36401135050	CASE	1						
2	36401125170	GEAR	1						
3	36401125030	SHAFT (TO)	1						
4	36401125040	SLEEVE	1						
5	36401125050	SHIFTER SET	1						
6	36400095110	PACKING	1						
7	36400095070	COVER (BEARING)	1						
8	36400095080	PACKING (COVER)	1						
9	36400095090	SHIM	N						
10	36401135070	COLLAR	1						
11	80500006903	BEARING,BALL	1						
12	36401125080	BEARING,ROLLER	2						
13	36401125090	BEARING,NEEDLE	1						
14	91206030005	SEAL,OIL	1						
15	36401125100	RING,RETAINING	1						
16	90191208020	BOLT	4		M8X20				
17	90191208014	BOLT	3		M8X14				
18	90302040801	WASHER,SPRING	7		8				
20	36402015020	PACKING	2						
21	36402035040	BOLT	1		M10X1.5X120				
22	36402035050	BOLT	1		M10X1.5X110				
23	90191210050	BOLT	2		M10X50				
24	36402035010	BOLT,STUD	1						
25	36402035020	BOLT,STUD	1						
26	90267201000	NUT	2		M10				
27	90302041001	WASHER,SPRING	6		10				
28	36402035030	SPACER	1						
30	90191208025	BOLT	2		M8X25				
51	36402030000	POWER TAKE OFF	1						
52	31790880100	SUPPORT	1						
100	31792100000	POWER TAKE OFF	1						

TM-ZR230 41110210721A FRAME/STD,RAC,NABI HOOK

Pos No.	Parts No	Parts Name	Qty	Unit	Technical Data	Serial No (Start)	Serial No (End)	Remarks
1	36402005010	CASE	1					
2	36402005020	GEAR	1					
3	36402135010	SHAFT	1					
4	36402005040	GEAR	1					
5	36400095040	SHAFT	1					
6	36400095100	SHIFTER ASSY	1					
7	36400095110	PACKING	1					
8	36400095070	COVER (BEARING)	1					
9	36400095080	PACKING (COVER)	1					
10	36400095090	SHIM	N					
11	36400095050	COLLAR	1					
12	80500006206	BEARING,BALL	2					
13	36400095120	BEARING	2					
14	91206030005	SEAL,OIL	1					
15	80602110520	RING,RITAINING	2		R52			
16	90101206012	BOLT	1		M6X12			
17	36400095130	WASHER	1					
18	90191208014	BOLT	3		M8X14			
19	90191208020	BOLT	4		M8X20			
20	90302040801	WASHER,SPRING	7		8			
22	36401945060	PACKING (FOR CASE)	1					
23	36401945070	BOLT	6					
24	90267401000	NUT	6		M10			
25	90302041001	WASHER,SPRING	6		10			
27	90191208025	BOLT	2		M8X25			
50	36402130000	POWER TAKE OFF ASSY	1					
60	31791220100	SUPPORT	1					
100	31792250000	POWER TAKE OFF	1					

TM-ZR230 41110210721A FRAME/STD,RAC,NABI HOOK

Pos No.	Parts No	Parts Name	Qty	Unit	Technical Data	Serial No (Start)	Serial No (End)	Remarks
1	36402470510	CASE	1					
2	36402470520	GEAR	1					
3	36402480510	SHAFT	1					
4	36401125040	SLEEVE	1					
5	36401125050	SHIFTER SET	1					
6	36400095110	PACKING	1					
7	36400095070	COVER (BEARING)	1					
8	36400095080	PACKING (COVER)	1					
9	36400095090	SHIM	N					
10	36402470540	COLLAR	1					
11	80500006903	BEARING,BALL	1					
12	36401125080	BEARING,ROLLER	2					
13	36401125090	BEARING,NEEDLE	1					
14	91206030005	SEAL,OIL	1					
15	36401125100	RING,RETAINING	1					
16	90191208020	BOLT	4		M8X20			
17	90191208014	BOLT	3		M8X14			
18	90302040801	WASHER,SPRING	7		8			
20	36402015020	PACKING	2					
21	36402035040	BOLT	1		M10X1.5X120			
22	36402035050	BOLT	1		M10X1.5X110			
23	90191210050	BOLT	2		M10X50			
24	36402035010	BOLT,STUD	1					
25	36402035020	BOLT,STUD	1					
26	90267201000	NUT	2		M10			
27	90302041001	WASHER,SPRING	6		10			
28	36402470550	SPACER	1					
30	90191208025	BOLT	2		M8X25			
50	36402480000	POWER TAKE OFF ASSY	1					
60	31790990100	SUPPORT	1					
100	31792380000	POWER TAKE OFF	1					

TM-ZR230 41110210721A FRAME/STD,RAC,NABI HOOK

Pos No.	Parts No	Parts Name	Qty	Unit	Technical Data	Serial No (Start)	Serial No (End)	Remarks	Pages
1	31631221000	PLATE	1						
2	90171112022	BOLT	2		M12X22				
3	31631222000	CAP	1						
4	90302041201	WASHER,SPRING	2		12				

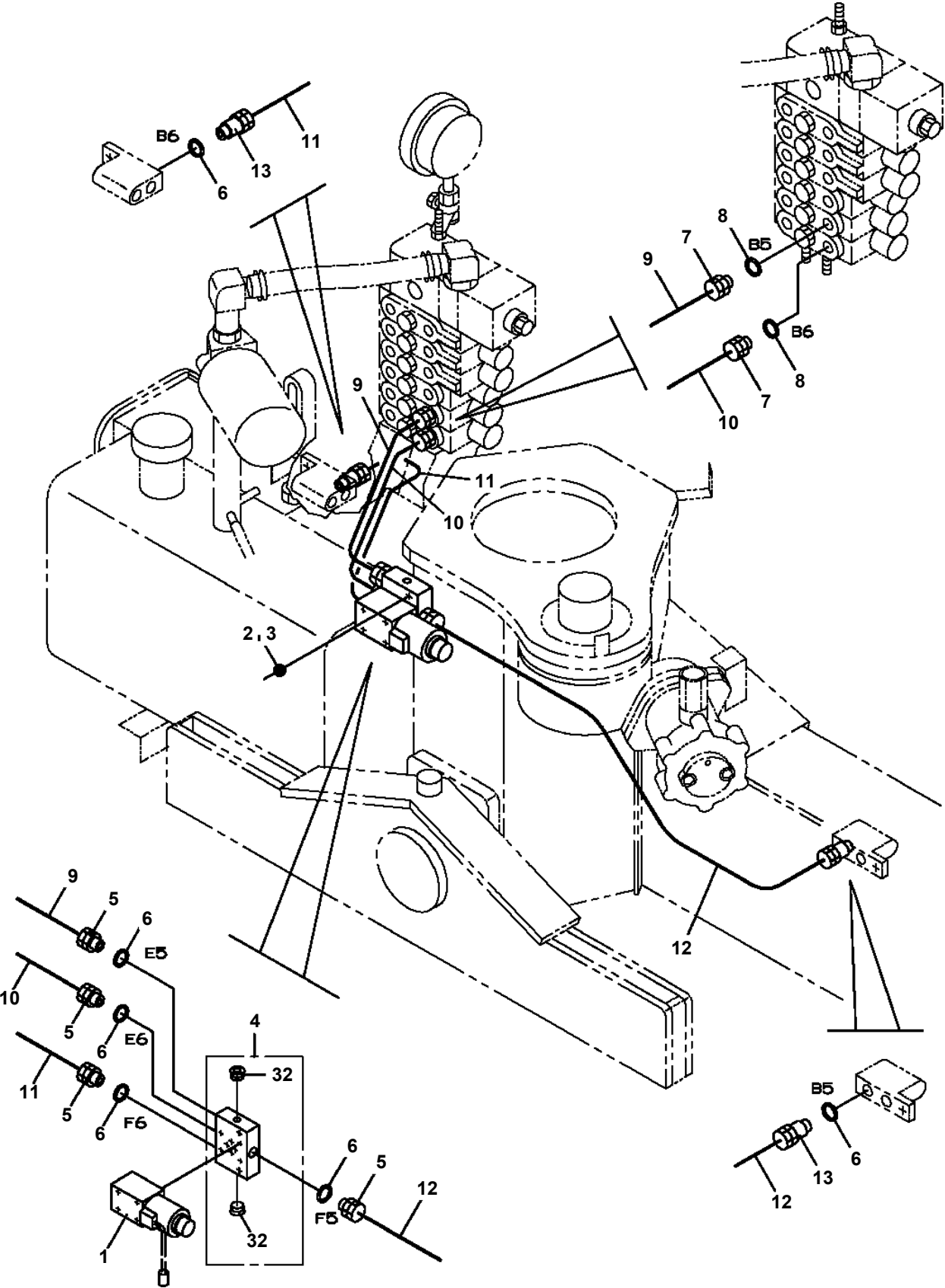
TM-ZR230 41110210721A FRAME/STD,RAC,NABI HOOK

Pos No.	Parts No	Parts Name	Qty	Unit	Technical Data	Serial No (Start)	Serial N
1	36635825010	COVER (FRONT)	1				
2	36635825020	VALVE,RELIEF	1				
3	36635815010	VALVE,CONTROL (POWER SUPPLY)	1				
4	91001205500	O-RING	2		1A G55		
5	36635825040	COVER (BOTTOM)	1				
6	36636625020	BOLT,TIE	4				
7	90201200800	NUT	4		M8		
10	80316030040	PLUG	1		PT1/4		
11	36645615090	PROTECTOR	3				
12	36635825050	BRACKET	1				
13	36635785090	SEAL,DUST	1		3/8		
16	36645615200	PACKING	1				
17	36645615190	PLUG (DUST)	1				
23	12635101110	SPRING (RETURN)	1				
26	12635101140	SPRING	2				
28	11629431040	PACKING	4				
31	16623320390	TUBE (SEAL)	2				
32	91002802100	O-RING	1		1B P21		
33	91001102600	O-RING	1		1A P26		
43	36633365040	CAP (RETURN SPRING)	1				
44	36636625030	SPRING	1				
45	36632195060	BALL,STEEL	2				
46	36636625040	COLLAR	1				
47	91650001400	SCRAPER	1				
48	36633365060	PLATE (B)	1				
49	36636625050	ADAPTER	1				
50	12635101360	SPOOL	1				
51	12635101190	SPRING	1				
52	36633365090	CAP (CHECK VALVE)	2				
53	91001101400	O-RING	2		1A P14		
54	80316030040	PLUG	1		PT1/4		
55	36633365100	SEAL,OIL	2				
56	36635825070	LINK	1				
57	36645615230	C-BOLT	2		5X12		
58	36645615260	C-BOLT	2		M5X8		
59	36635815030	VALVE,RELIEF	1				
63	36631865270	SPRING	1				
67	12635101130	SCREW (ADJUSTING)	1				
69	36646575090	NUT	1				
70	36630195030	NUT,CAP	1				
71	91002801000	O-RING	1		1B P10		
72	91002801400	O-RING	1		1B P14		
73	36601135090	O-RING	2				
100	36635810000	VALVE,MANUAL CONTROL (SERVICE PORT)	1				

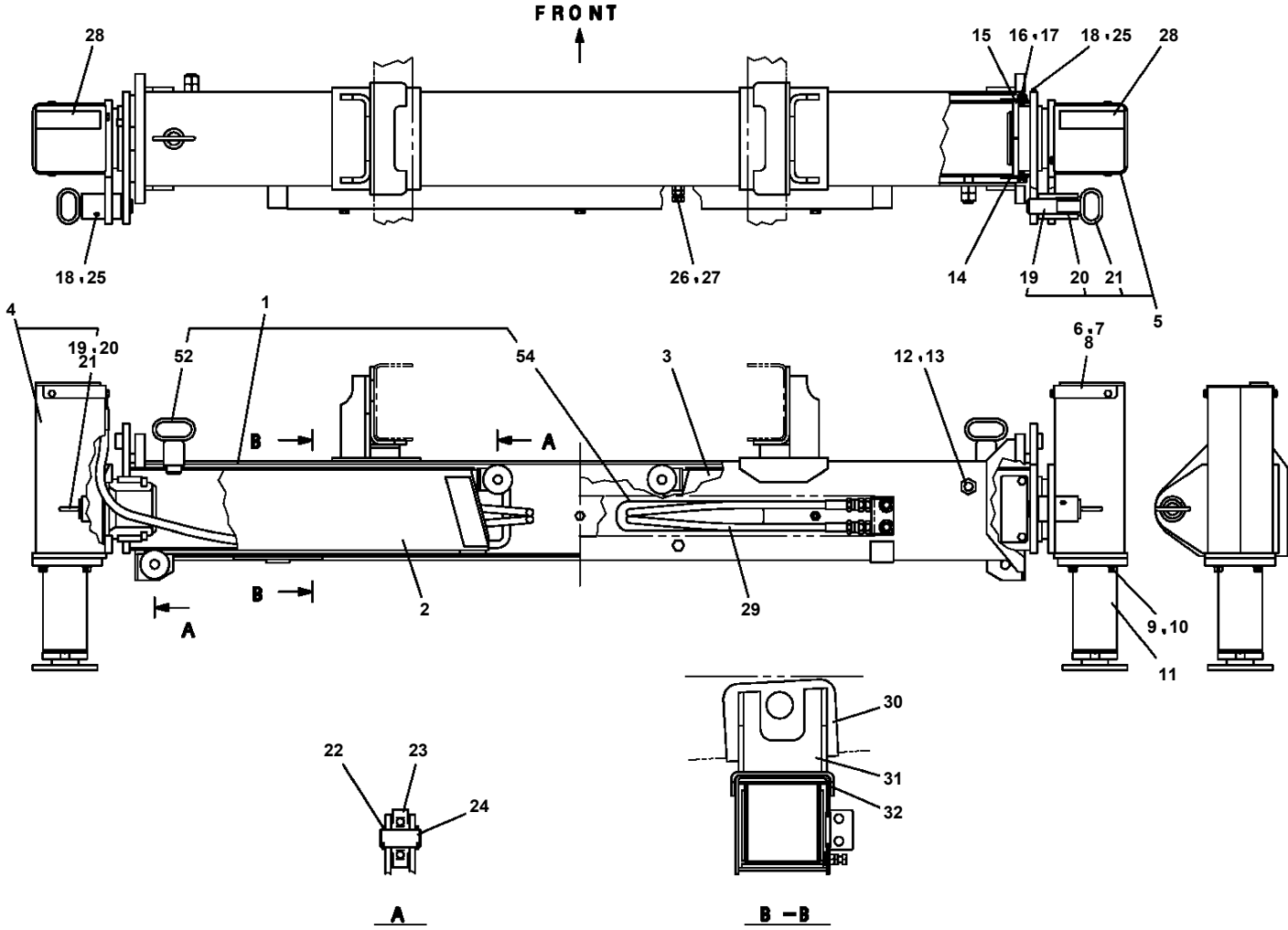
TM-ZR230 41110210721A FRAME/STD,RAC,NABI HOOK

Pos No.	Parts No	Parts Name	Qty	Unit	Technical Data	Serial No (Start)	Serial No (End)	Remarks	Pa
1	37002456880	HOSE	2		L=400				
2	91002801400	O-RING	12		1B P14		ET3408		
	91002801400	O-RING	8		1B P14	ET3409			
3	37002467580	HOSE	1		L=1170				
4	37002467590	HOSE	1		L=1250				
5	37000804110	JOINT	1						
6	91803880070	CLIP	2		D=13.1-16.2				
7	37002500640	HOSE	1		L=400				
8	80481103030	JOINT	4		L,G3/8-G3/8		ET3408		
	80430620600	JOINT (WITH O-RING)	4		L,G3/8-G3/8	ET3409			
9	37000920980	JOINT	2		PF3/8-PF3/8				
10	37002454090	HOSE	1		L=520				
	37002480130	HOSE	1		L=520				
11	37002454100	HOSE	1		L=480 TO 490				
12	31340310100	JOINT	1						
	37002480120	HOSE	1		L=490				
31	91002801400	O-RING	4		1B P14	ET3409			

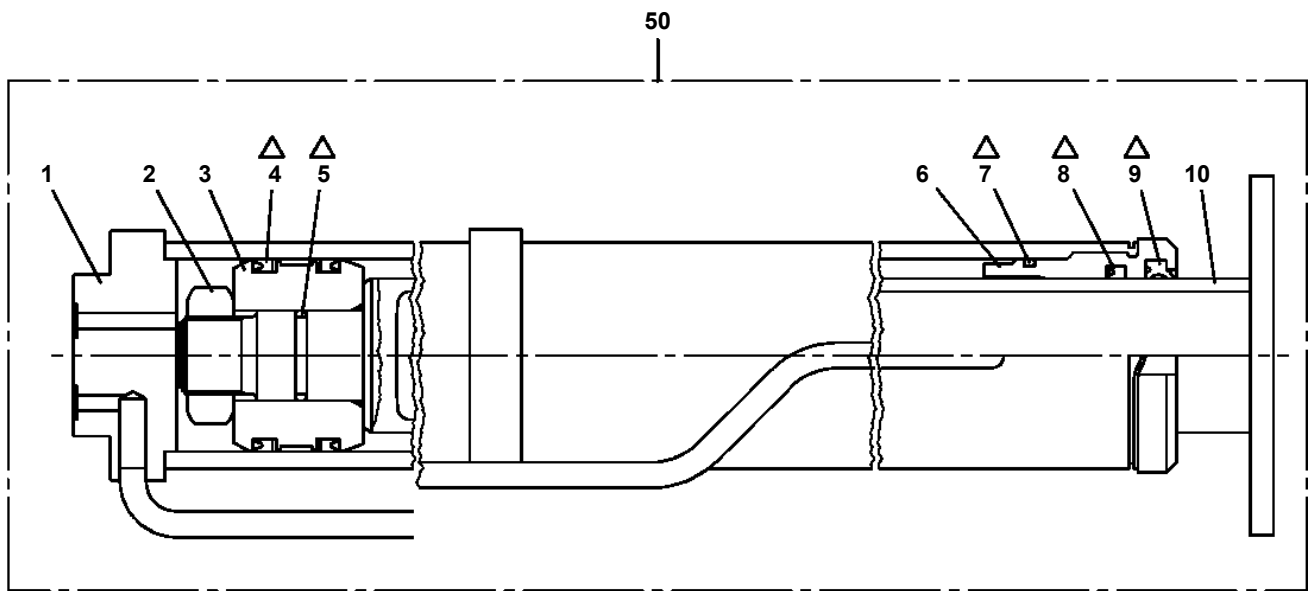
TM-ZR230 41110210721A FRAME/STD,RAC,NABI HOOK
PB1910112-00 PIPING



**TM-ZR230 41110210721A FRAME/STD,RAC,NABI HOOK
PC1020104-01 OUTRIGGER,REAR**

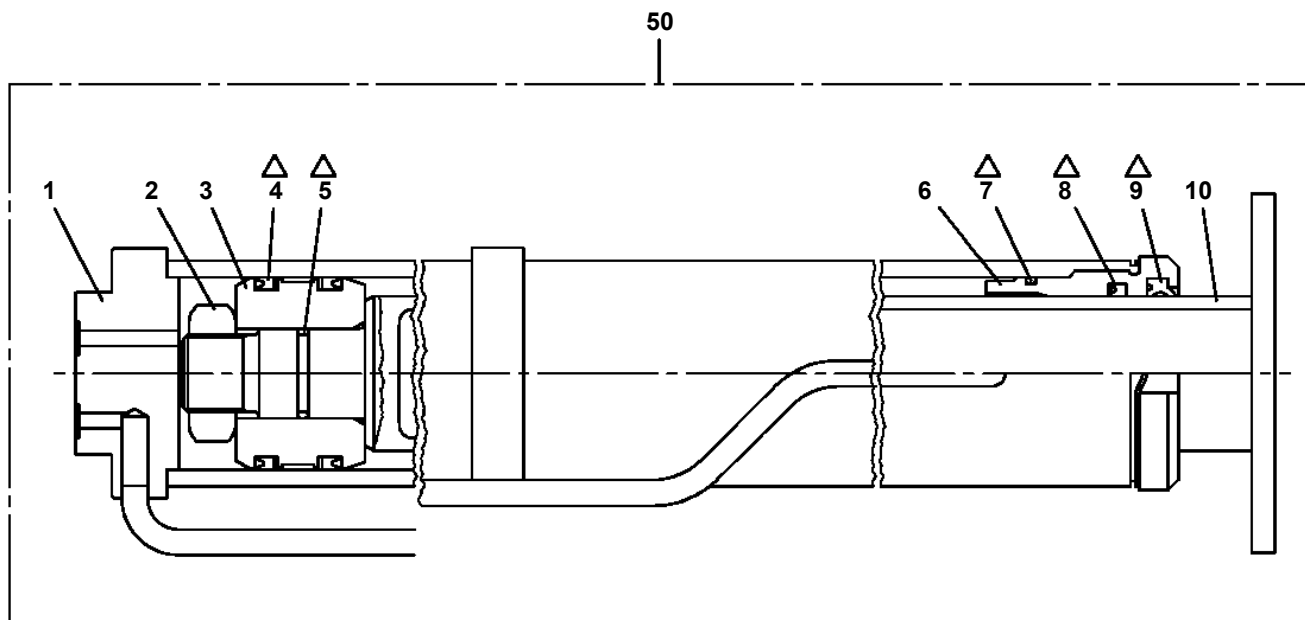


TM-ZR230 41110210721A FRAME/STD,RAC,NABI HOOK
PC1030418-00 CYLINDER,JACK (COLD-FORGED)



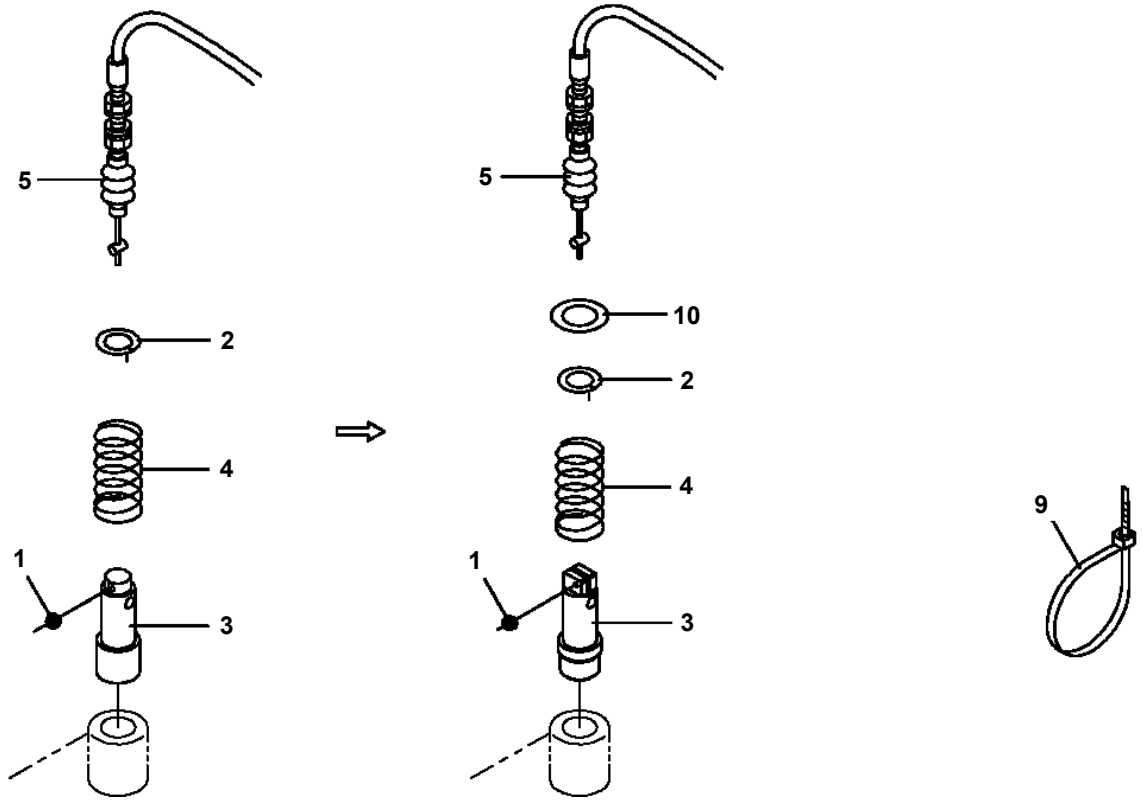
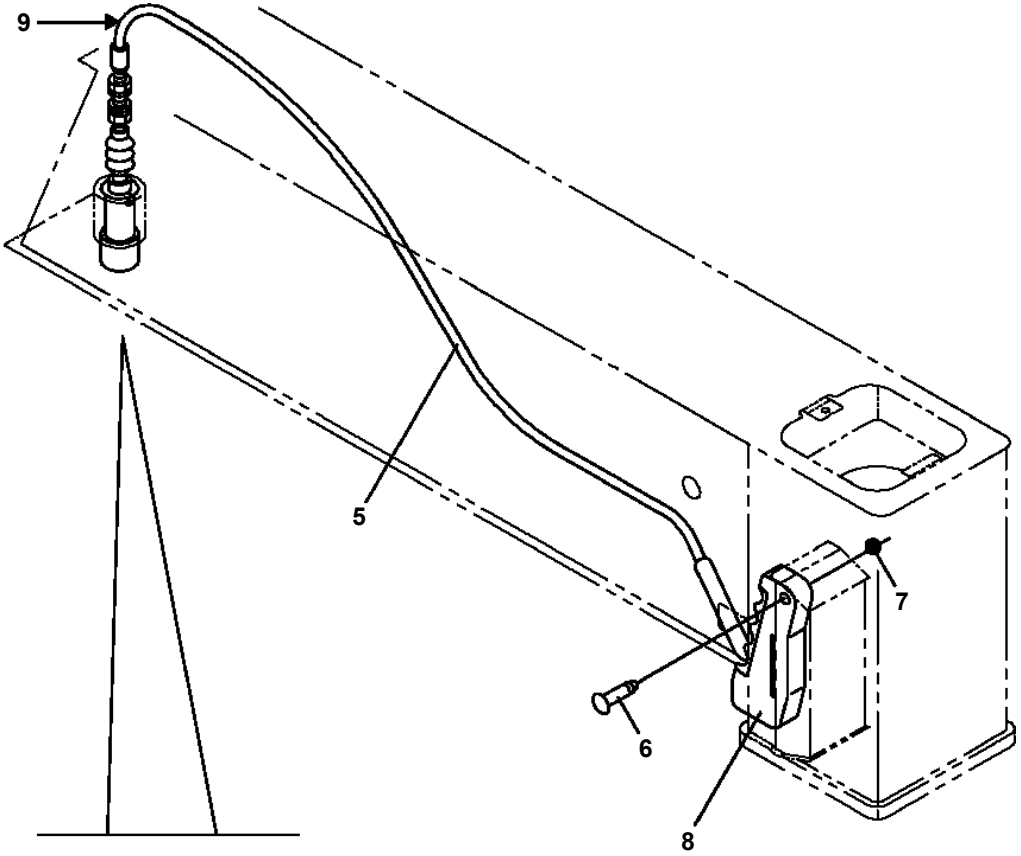
Δ:PACKING SET KEY NO. 20 (KEY NO.4,5,7,8,9)

TM-ZR230 41110210721A FRAME/STD,RAC,NABI HOOK
PC1030424-00 CYLINDER,JACK (WELDED STRUCTURE)

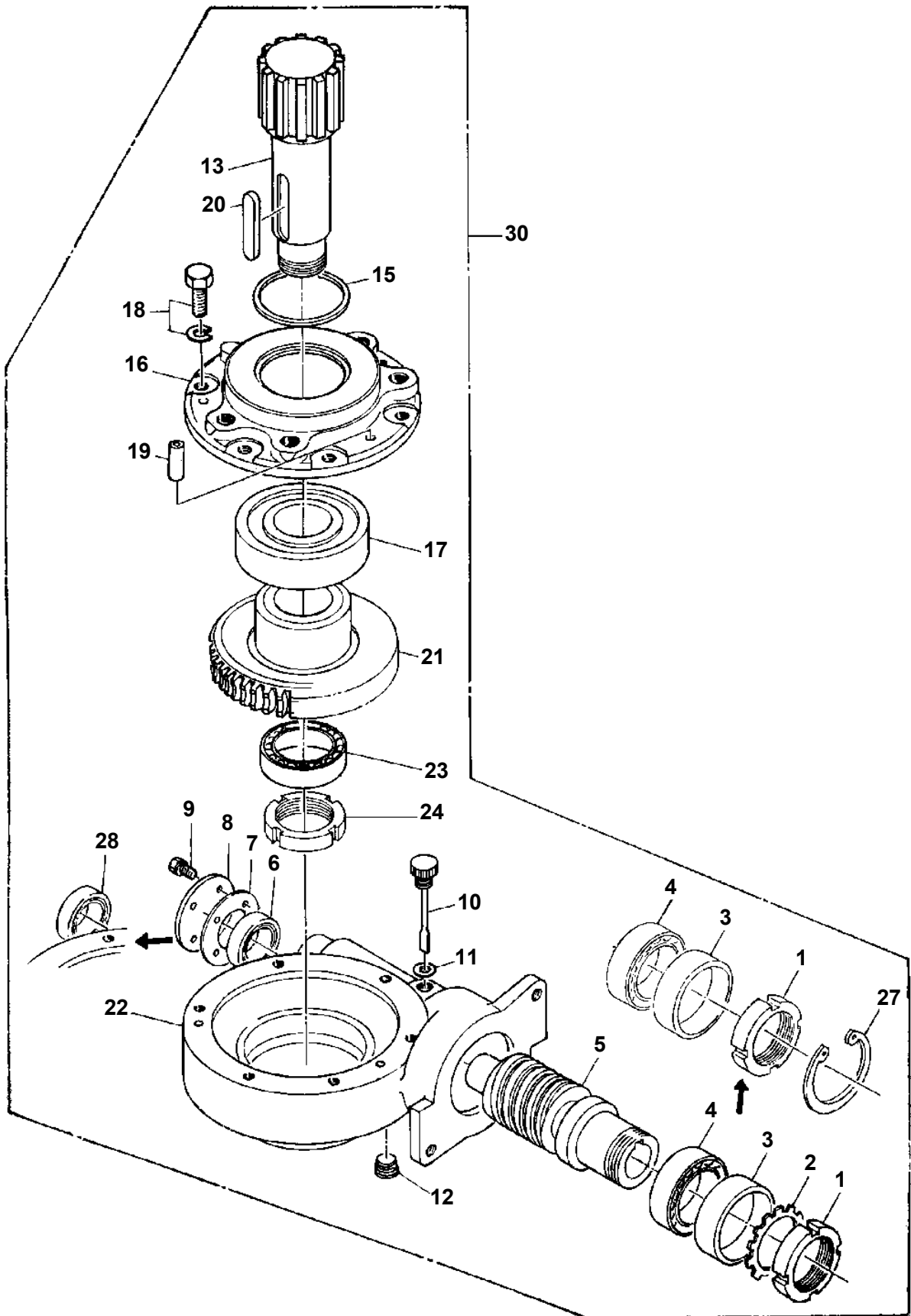


Δ:PACKING SET KEY NO. 20 (KEY NO.4,5,7,8,9)

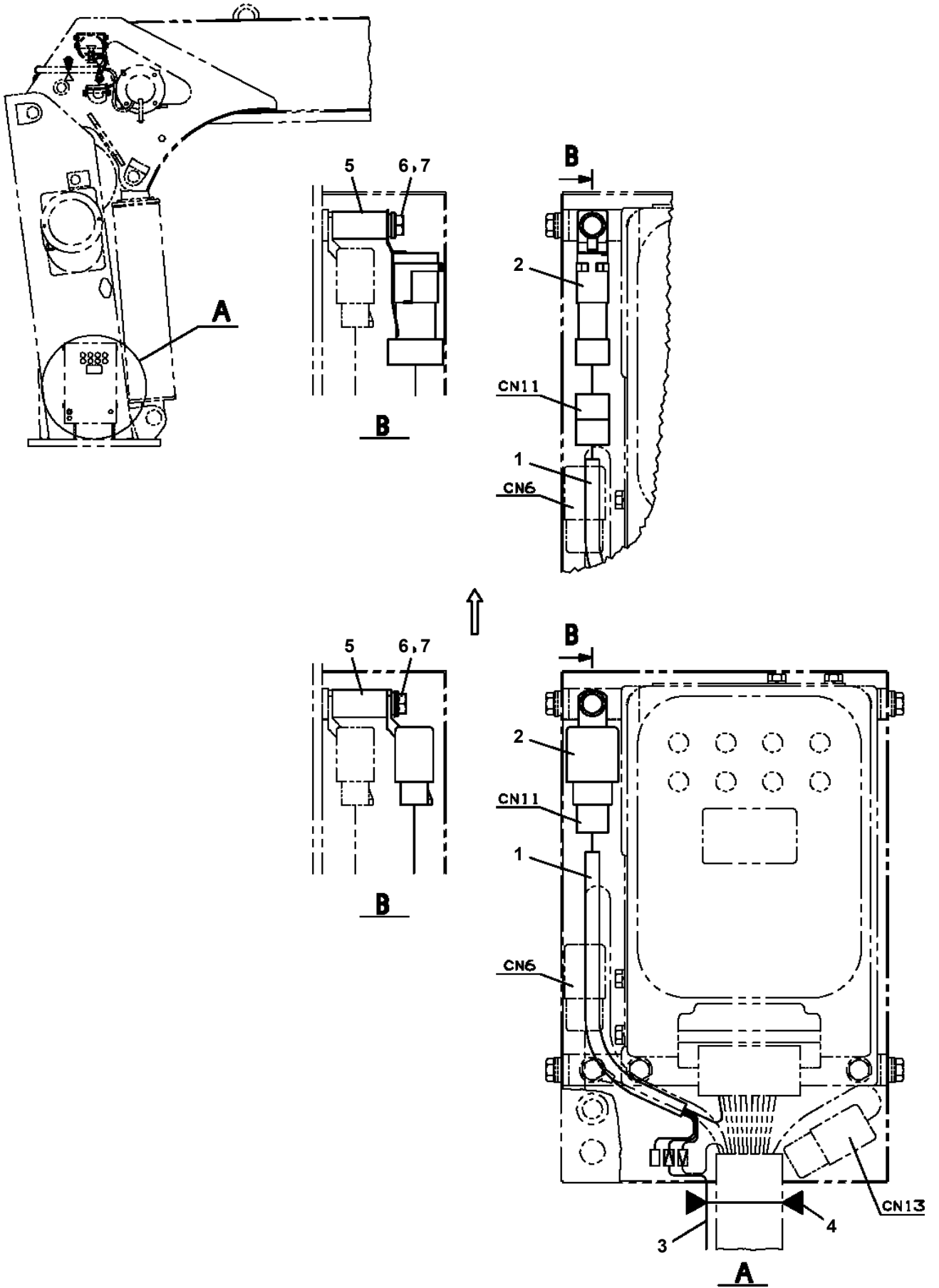
TM-ZR230 41110210721A FRAME/STD,RAC,NABI HOOK
PC1100237-02 OPE.ASSY,OUTRIGGER



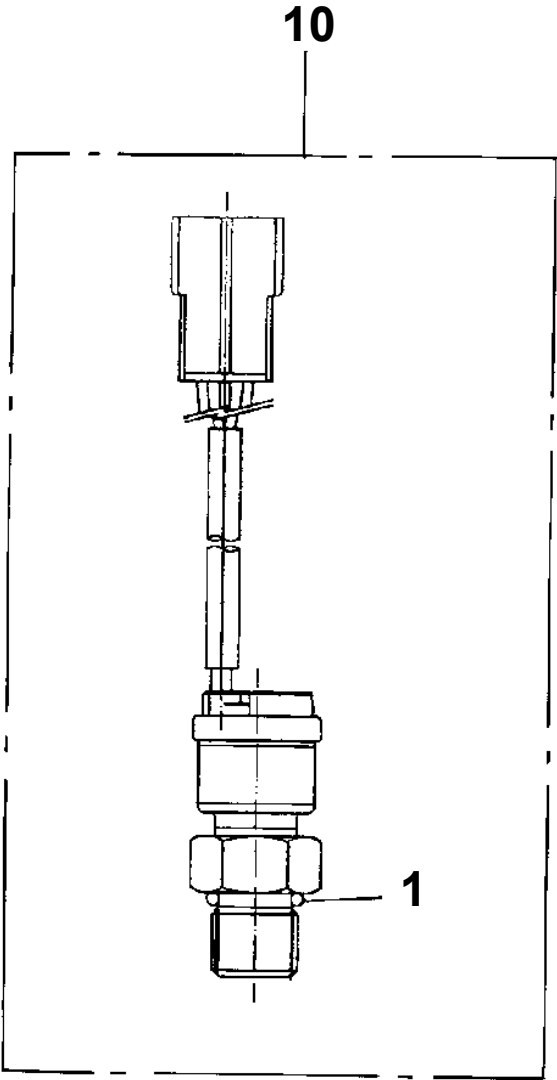
TM-ZR230 41110210721A FRAME/STD,RAC,NABI HOOK
PD1010035-01 REDUCER,SWING SPEED



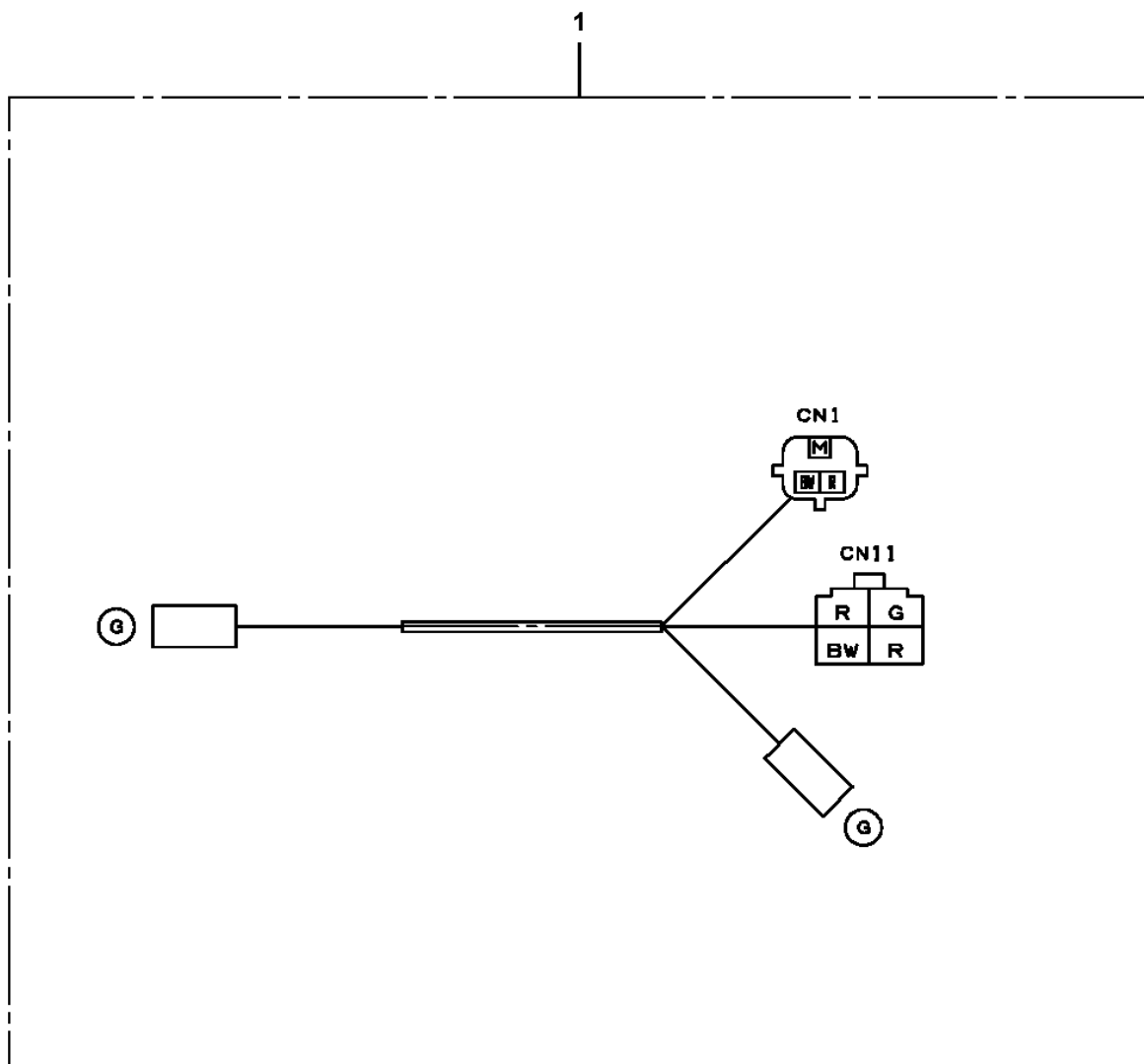
TM-ZR230 41110210721A FRAME/STD,RAC,NABI HOOK
PE5020102-01 ELEC.ASSY



TM-ZR230 41110210721A FRAME/STD,RAC,NABI HOOK
PH1010008-00 DETECTOR,LOAD



TM-ZR230 41110210721A FRAME/STD,RAC,NABI HOOK
PH5031460-00 HARNESS



CLICK HERE TO **DOWNLOAD** THE COMPLETE MANUAL

- Thank you very much for reading the preview of the manual.
- You can download the complete manual from: www.heydownloads.com by clicking the link below

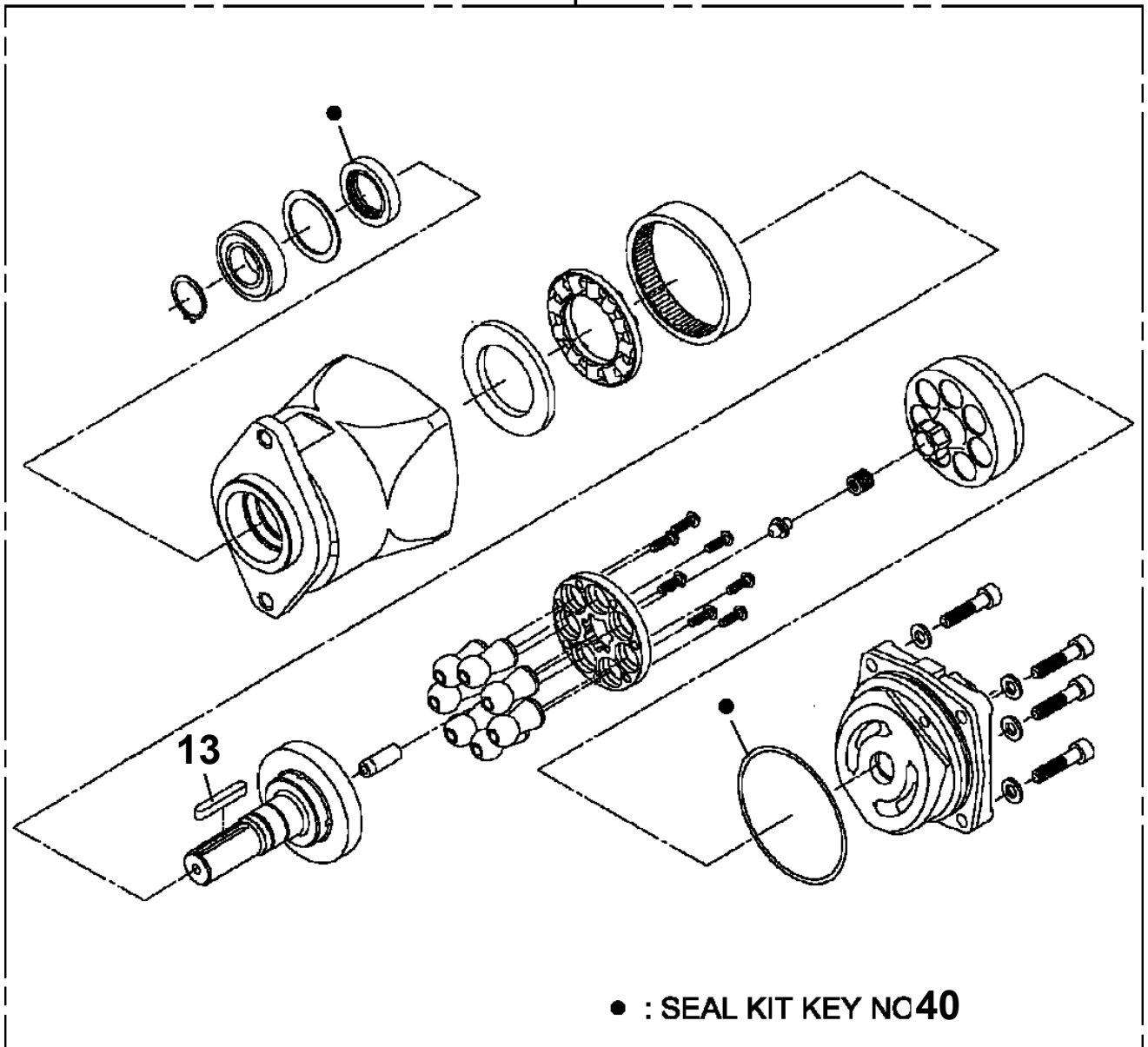


- Please note: If there is no response to CLICKING the link, please download this PDF first and then click on it.

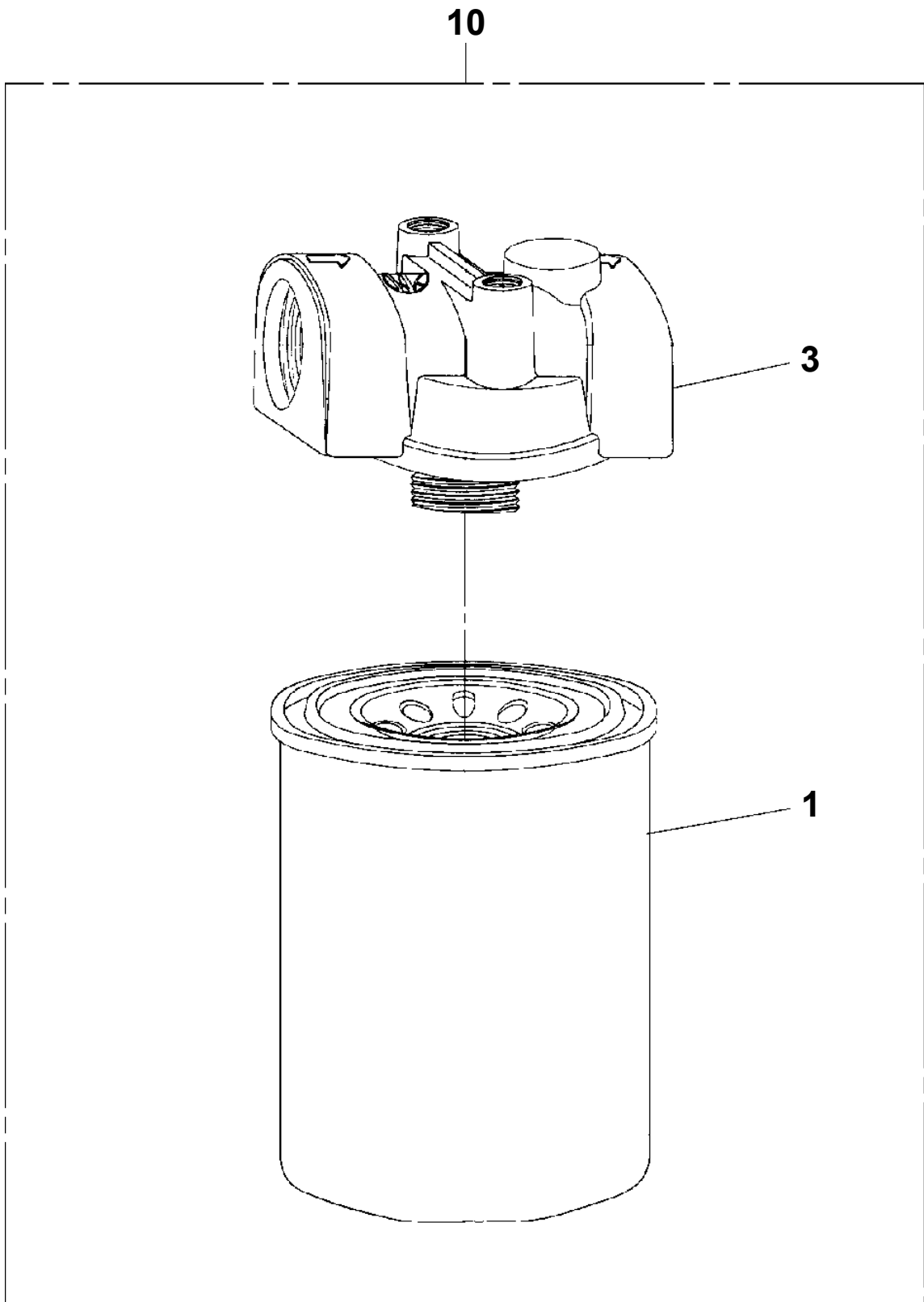
CLICK HERE TO **DOWNLOAD** THE COMPLETE MANUAL

TM-ZR230 41110210721A FRAME/STD,RAC,NABI HOOK
PI1010198-00 MOTOR,HYDRAULIC

100



TM-ZR230 41110210721A FRAME/STD,RAC,NABI HOOK
PI1300026-01 FILTER,OIL (WAKO)



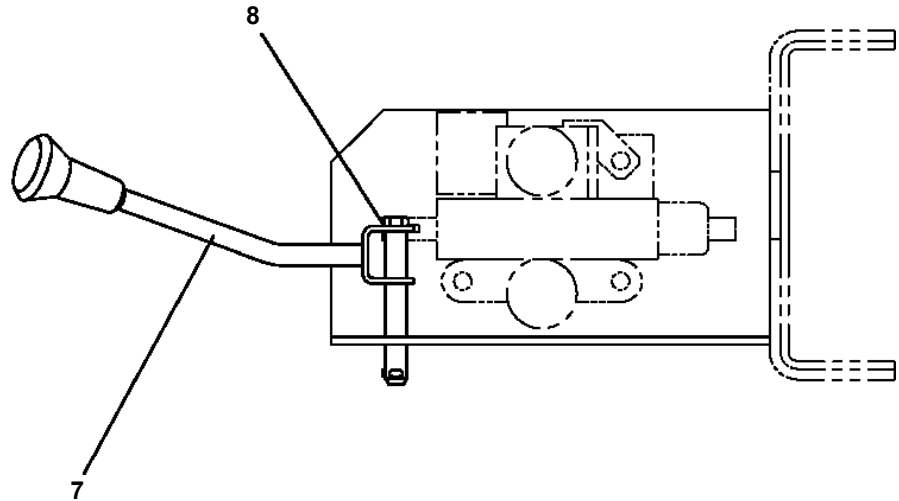
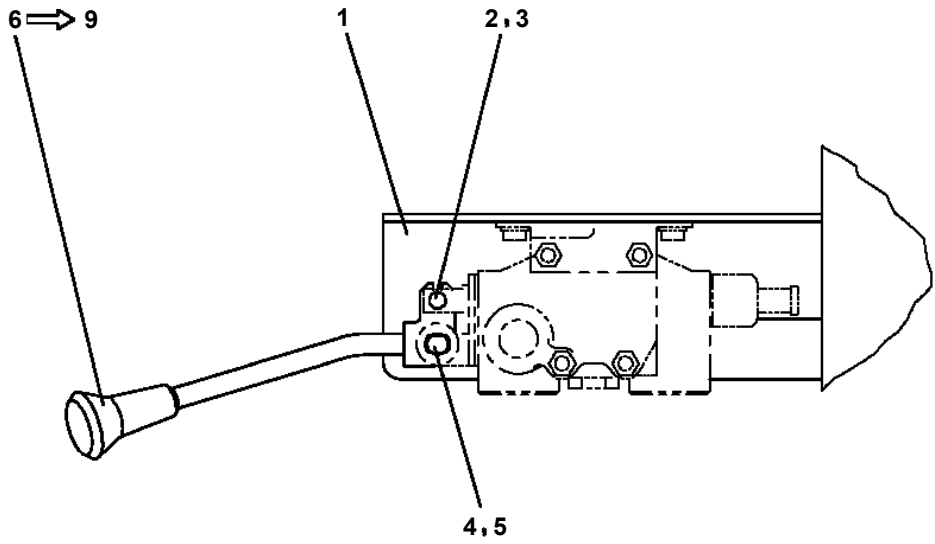
TM-ZR230 41110210721A FRAME/STD,RAC,NABI HOOK
PJ3410021-01 LOCK ASSY

指示番号 KEY NO.	ロックASSY (トウナンホウ ウシソウチ/Fカク タラシク コンイカク イ) LOCK ASSY
1	マウント MOUNT
2	パイピング PIPING
3	ハイセンASSY ELEC.ASSY

TM-ZR230 41110210721A FRAME/STD,RAC,NABI HOOK

Pos No.	Parts No	Parts Name	Qty	Unit	Technical Data	Serial No (Start)	Serial No (End)	Remarks
1	31624479511	FRAME ASSY	1					
2	82459103000	NIPPLE,GREASE	1		C-PT1/8			
3	82400000459	CAP	1					
4	31623204000	FRAME	1					
5	37000520580	PLATE	1					
6	80601110950	RING,RITAINING	1		S95			
7	90201201600	NUT	2		M16			
8	90720716450	SCREW,SET	2		M16X45			
9	31621962301	PIN	2					
10	31621962800	KNOB	2					
11	37001201770	SPRING	2					
12	90101512035	BOLT	2		M12X35			
13	90201201200	NUT	2		M12			
14	80601110150	RING,RITAINING	4		15			
15	80530000225	BEARING,BALL (KOYO)	6				ET4714	
16	37000134180	PIN	2					
17	90186208010	BOLT,FLANGE	8		M8X10			
18	31623080300	INSULATOR	2					
19	31621962100	SUPPORT	4					
20	31621962200	PLATE	N		T=0.5			
21	37000161010	PIN	2					
22	37000309980	SPACER	2		L=60			
23	31623313000	CASE,INNER	2					
25	82400000499	LEVEL	1		SM250			
26	80175803020	SCREW,MACHINE	2		M3X20			
41	31611300500	PLATE,NAME (WHITE)	4					
42	31611300600	PLATE,NAME (YELLOW)	4					
51	37000574930	PLATE	1					
52	37001601060	NUT	2					
53	90190000008	BOLT,STUD	9		M6X20			
54	37001600870	NUT	3		M10			
55	37001602100	NUT	4		M6			
56	31623312100	SUPPORT	1					
57	31622210220	SUPPORT	1					
58	37000572570	PLATE	1					
59	31622420210	SUPPORT	1					
60	31621964100	SUPPORT	1					
61	31621964700	SUPPORT	1					
62	31622174700	SUPPORT	1					
63	31622420220	SUPPORT	1					
64	31623312400	SUPPORT	1					
65	31623312450	SUPPORT	1					
66	31620710200	SUPPORT	1					
67	31623312200	SUPPORT	1					
68	31623312300	SUPPORT	1					
69	31623082300	PLATE	1					
80	31621963300	SUPPORT	2					
82	31621029510	SUPPORT	2					
91	31624461100	SUPPORT	1					
92	31624471200	SUPPORT	1					
93	31624471300	SUPPORT	1					
94	31624471400	SUPPORT	1					

TM-ZR230 41110210721A FRAME/STD,RAC,NABI HOOK
PL1010734-01 OPE.ASSY,CONT.VALVE (POWER SUPPLY)



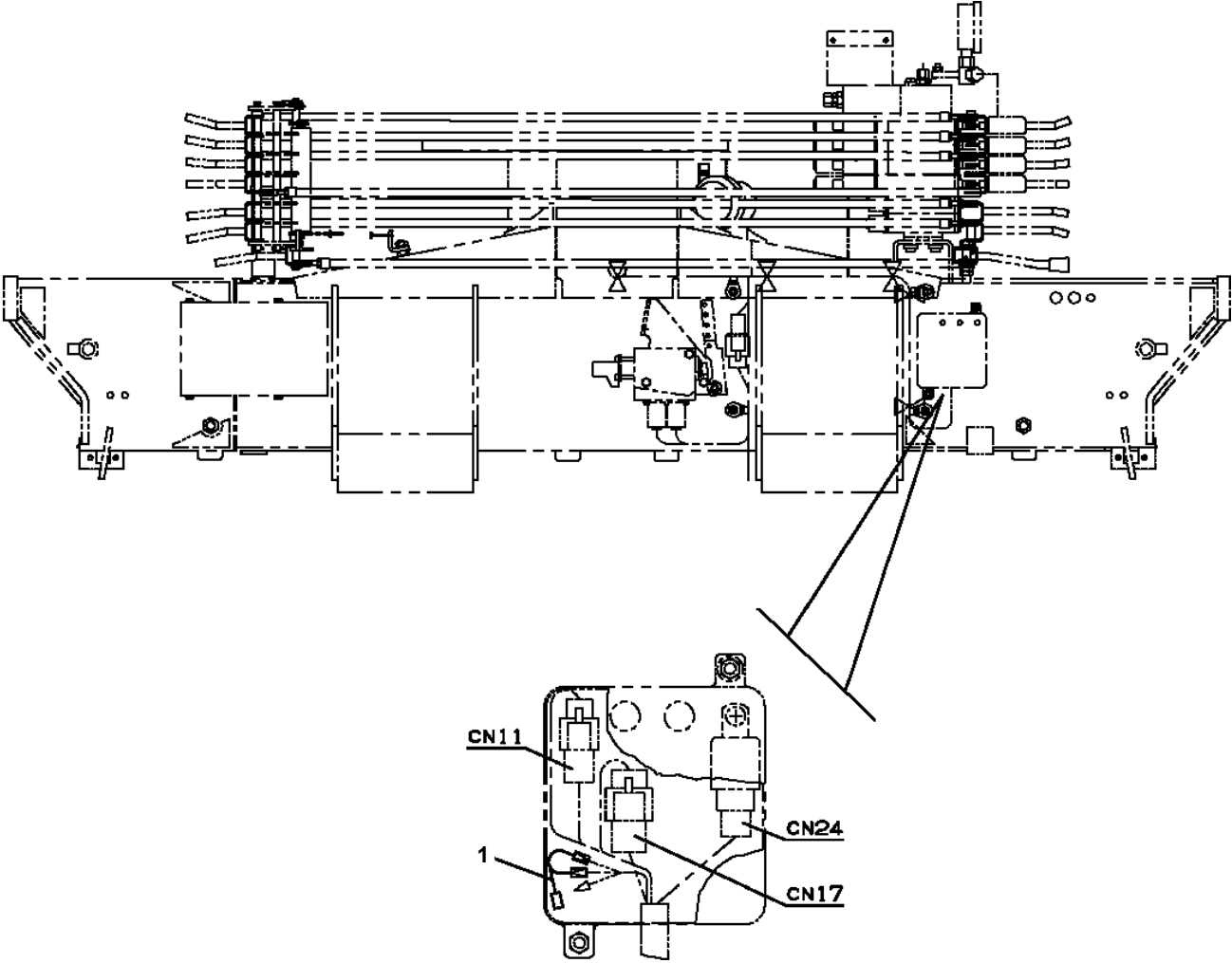
TM-ZR230 41110210721A FRAME/STD,RAC,NABI HOOK

Pos No.	Parts No	Parts Name	Qty	Unit	Technical Data	Serial No (Start)	Serial No (End)	Remark
1	82100002673	CONNECTOR (0.5-0.85,RED)	1					
2	31476061100	HARNESS	1					
3	91810130240	FASTENER	11					
4	82401601002	CLAMP	8					
5	31476061200	CONVERTER	1					
6	90101208035	BOLT	4		M8X35			
7	90302040801	WASHER,SPRING	4		8			
8	90303070801	WASHER,PLAIN	4		8			
9	90201200800	NUT	4		M8			
10	90201200600	NUT	2		M6			
11	31476751010	CONNECTOR	1					
12	31397132260	PLATE,CAUTION	1					

TM-ZR230 41110210721A FRAME/STD,RAC,NABI HOOK

Pos No.	Parts No	Parts Name	Qty	Unit	Technical Data	Serial No (Start)	Serial No (End)	Remarks	Pages
2	91810130240	FASTENER	4						
4	31473460300	HARNESS (RED)	1		L=1600				
8	90186206010	BOLT,FLANGE	1		M6X10				
9	82165904030	LAMP	1		24V 45W				
10	90280201000	NUT,FLANGE	1		M10				
11	90813108020	BOLT,WING	1		M8X20				
12	90309331201	WASHER	2		L12				
13	90303071201	WASHER,PLAIN	1		12				
14	90236201200	NUT,CASTLE	1		2H M12				
15	80136325025	PIN,SPLIT	1		2.5X25				
16	31650690500	LEVER	1						
17	31650690400	SUPPORT	1						
18	90280200600	NUT,FLANGE	1		M6				
19	31477322100	SUPPORT	1						
20	82100000191	TERMINAL	1						
21	82100000183	INSULATOR	1						
41	82100002850	LENS	1						
42	82166025550	BULB,LAMP	1		24V 45W				

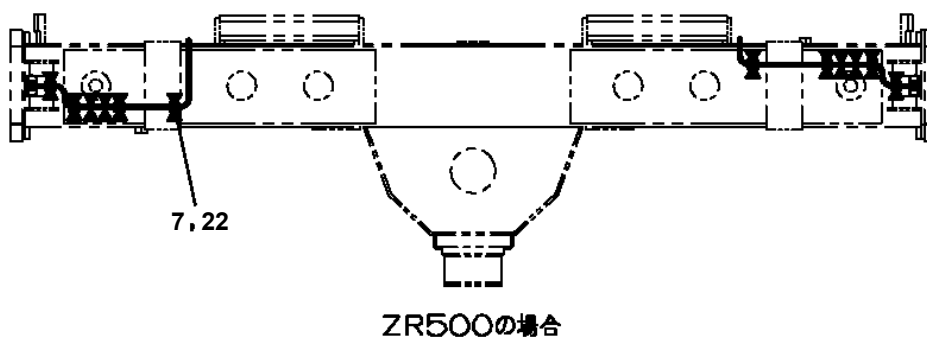
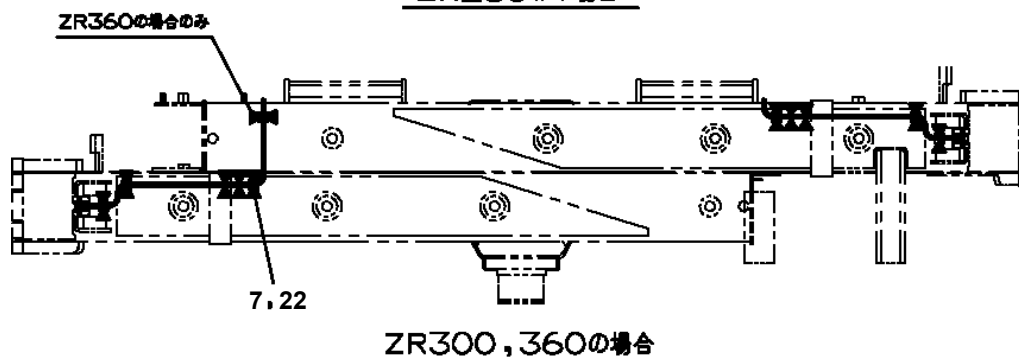
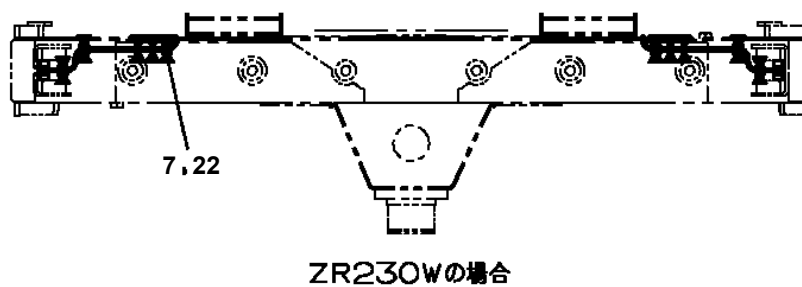
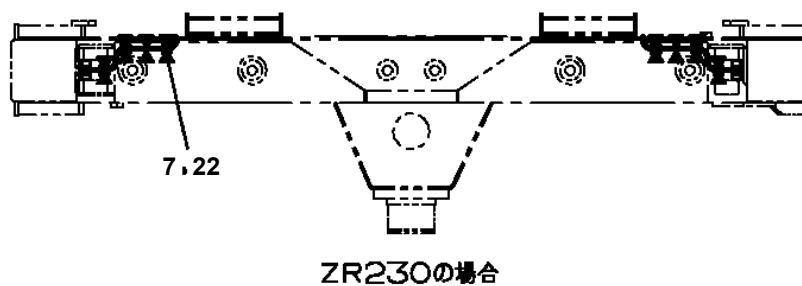
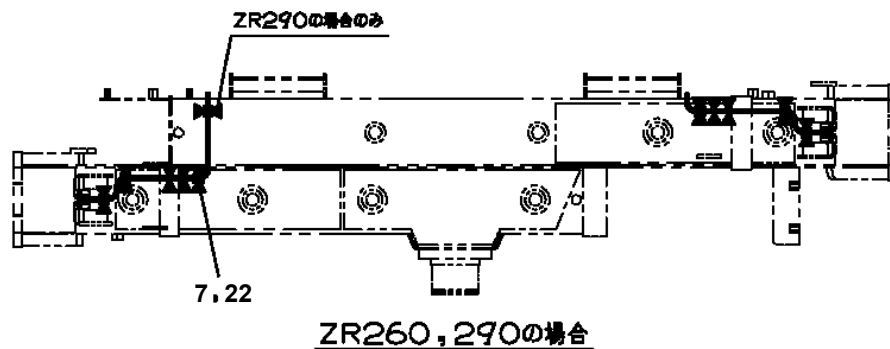
**TM-ZR230 41110210721A FRAME/STD,RAC,NABI HOOK
PN1013757-01 ELEC.ASSY (HARNESS FOR STANDBY POWER)**



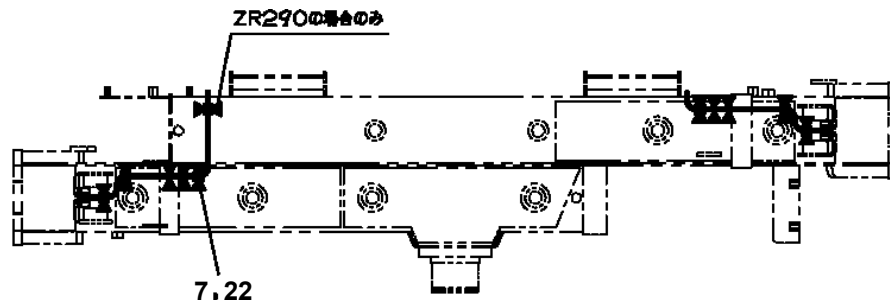
TM-ZR230 41110210721A FRAME/STD,RAC,NABI HOOK

Pos No.	Parts No	Parts Name	Qty	Unit	Technical Data	Serial No (Start)	Serial No (End)	Remark
1	31500511100	HARNESS	1					
2	82100002596	RELAY	1					
3	91810130240	FASTENER	6					
4	31360741200	HARNESS	1					
5	91850310305	CLAMP	2					
6	31360741300	LAMP ASSY	2					
7	90186206010	BOLT,FLANGE	8		M6X10			
21	82199444326	LAMP (YELLOW) <24V 12W)	2					
22	31360741310	SUPPORT	2					
36	82166136411	BULB,LAMP	2		24V/12W			

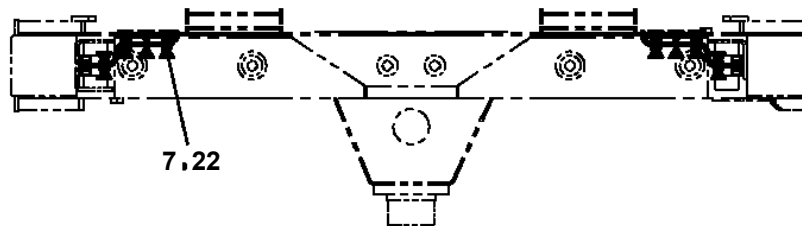
TM-ZR230 41110210721A FRAME/STD,RAC,NABI HOOK
PN1014116-01 ELEC.ASSY (CRANE/TRAVELING LOCK)



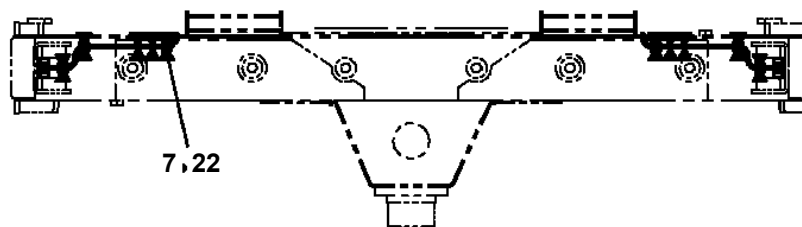
TM-ZR230 41110210721A FRAME/STD,RAC,NABI HOOK
PN1014290-02 ELEC.ASSY (CRANE/BOOM,JACK INTERLOCK)



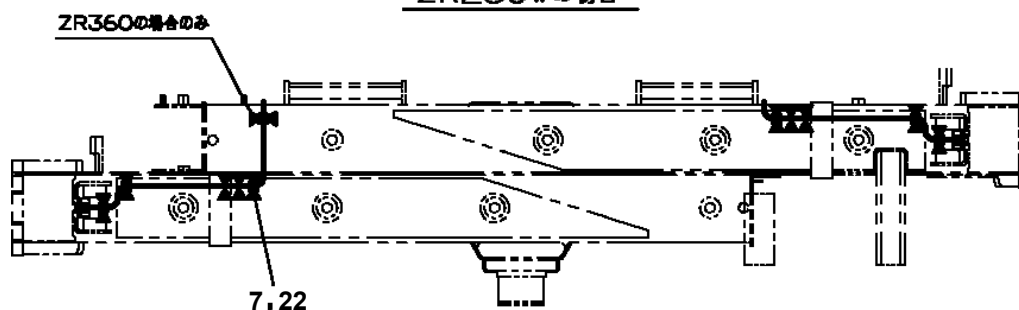
ZR260,290の場合



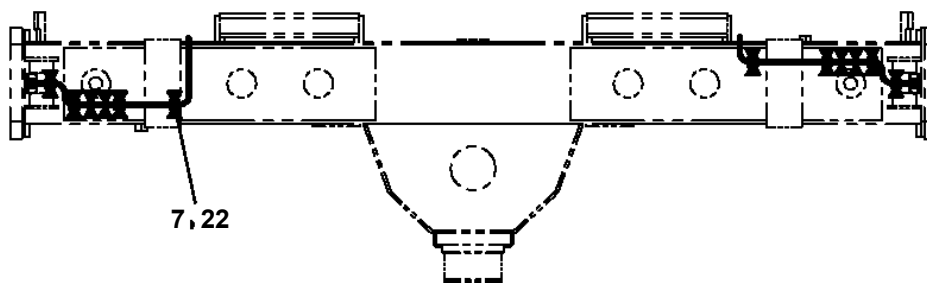
ZR230の場合



ZR230Wの場合



ZR300,360の場合



ZR500の場合

TM-ZR230 41110210721A FRAME/STD,RAC,NABI HOOK

Pos No.	Parts No	Parts Name	Qty	Unit	Technical Data	Serial No (Start)	Serial No (End)	Remark
1	31476362102	ALARM ASSY (ASSY ONLY)	1					
2	31475352100	PLATE,NAME	1					
3	31476362500	RELAY ASSY	1					
4	31380174000	LAMP ASSY (ASSY ONLY)	1					
5	82100000191	TERMINAL	1					
6	82100000183	INSULATOR	1					
7	91810130240	FASTENER	10					
8	82115001002	CONNECTOR	7					
9	82100001400	TERMINAL	6					
10	31475982100	PLATE,CAUTION	1					
	31476362700	PLATE,CAUTION	1			ET4126	ET4125	
11	31380292600	SUPPORT	1					
12	80172305020	SCREW,MACHINE	2		M5X20			
13	90302040501	WASHER,SPRING	2		5			
14	90303070501	WASHER,PLAIN	2		5			
15	31477472100	HARNESS (RED)	2		L=1000			
16	82100001220	INSULATOR	6					
17	31476362300	RELAY ASSY	1					
18	31475982400	DIODE ASSY	1					
21	90928040101	SCREW,TAPPING	3		M4X10			
23	82115001005	CONNECTOR	7					

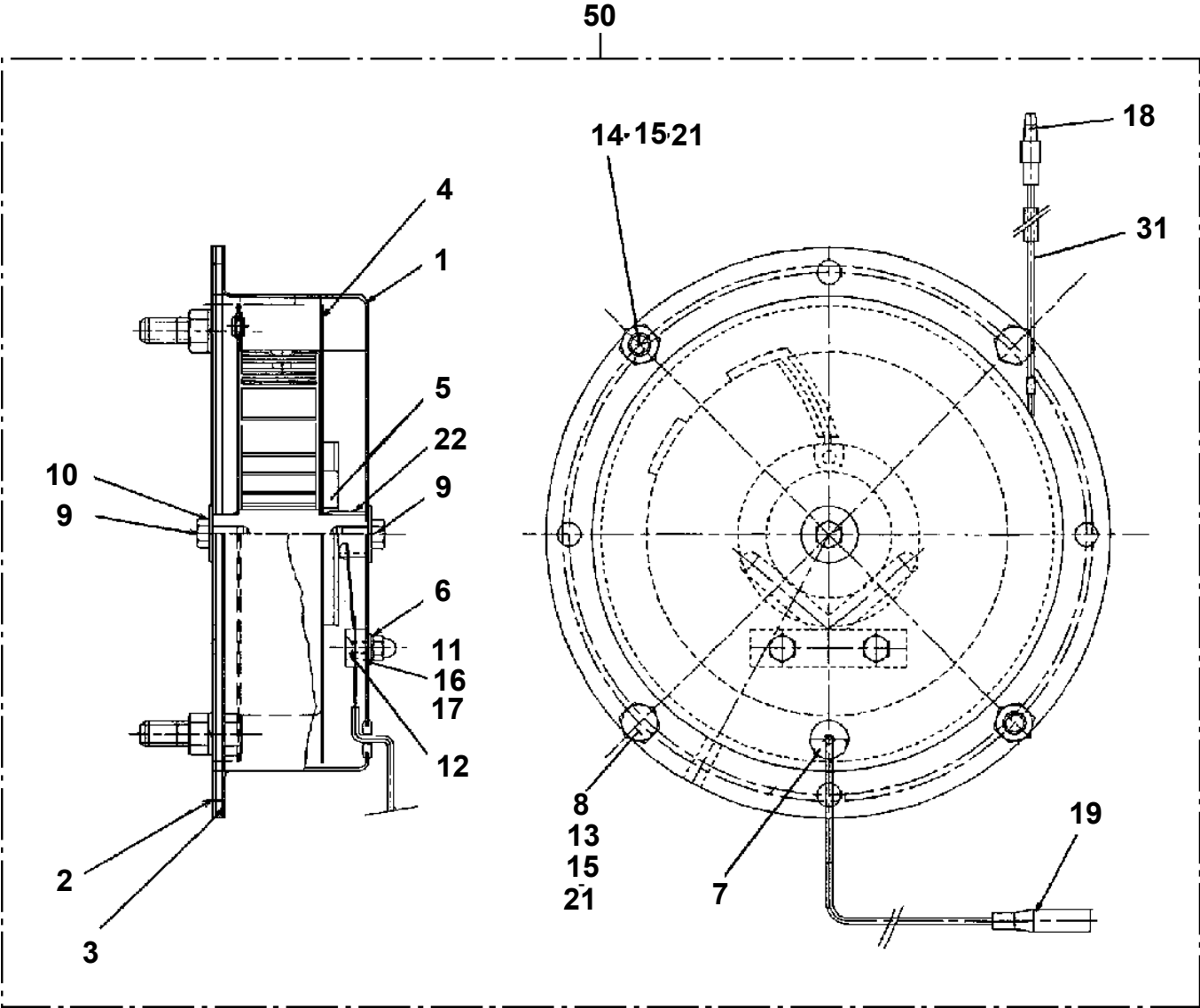
TM-ZR230 41110210721A FRAME/STD,RAC,NABI HOOK

Pos No.	Parts No	Parts Name	Qty	Unit	Technical Data	Serial No (Start)	Serial No (End)
1	(*****)	ELEC.ASSY (24V-45W LAMP/BOOM)	1				
2	(*****)	ELEC.ASSY (LAMP,LOWER/FRAME)	1				
3	36160330001	REEL,CORD	1				

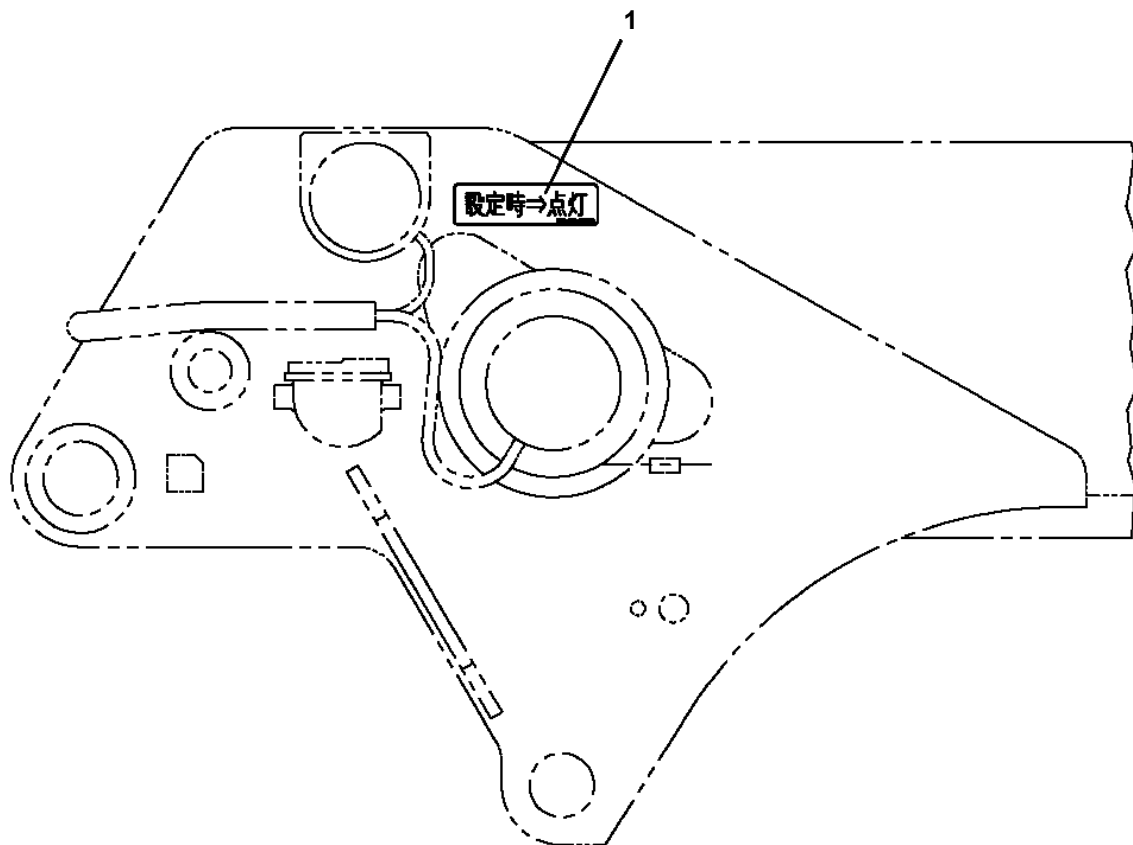
TM-ZR230 41110210721A FRAME/STD,RAC,NABI HOOK

Pos No.	Parts No	Parts Name	Qty	Unit	Technical Data	Serial No (Start)	Serial No (End)	P
1	82101940130	SWITCH,PUSH (3PJW106F-021-CC)	3					
10	31653223200	SWITCH ASSY (PLATING:NACC)	1					

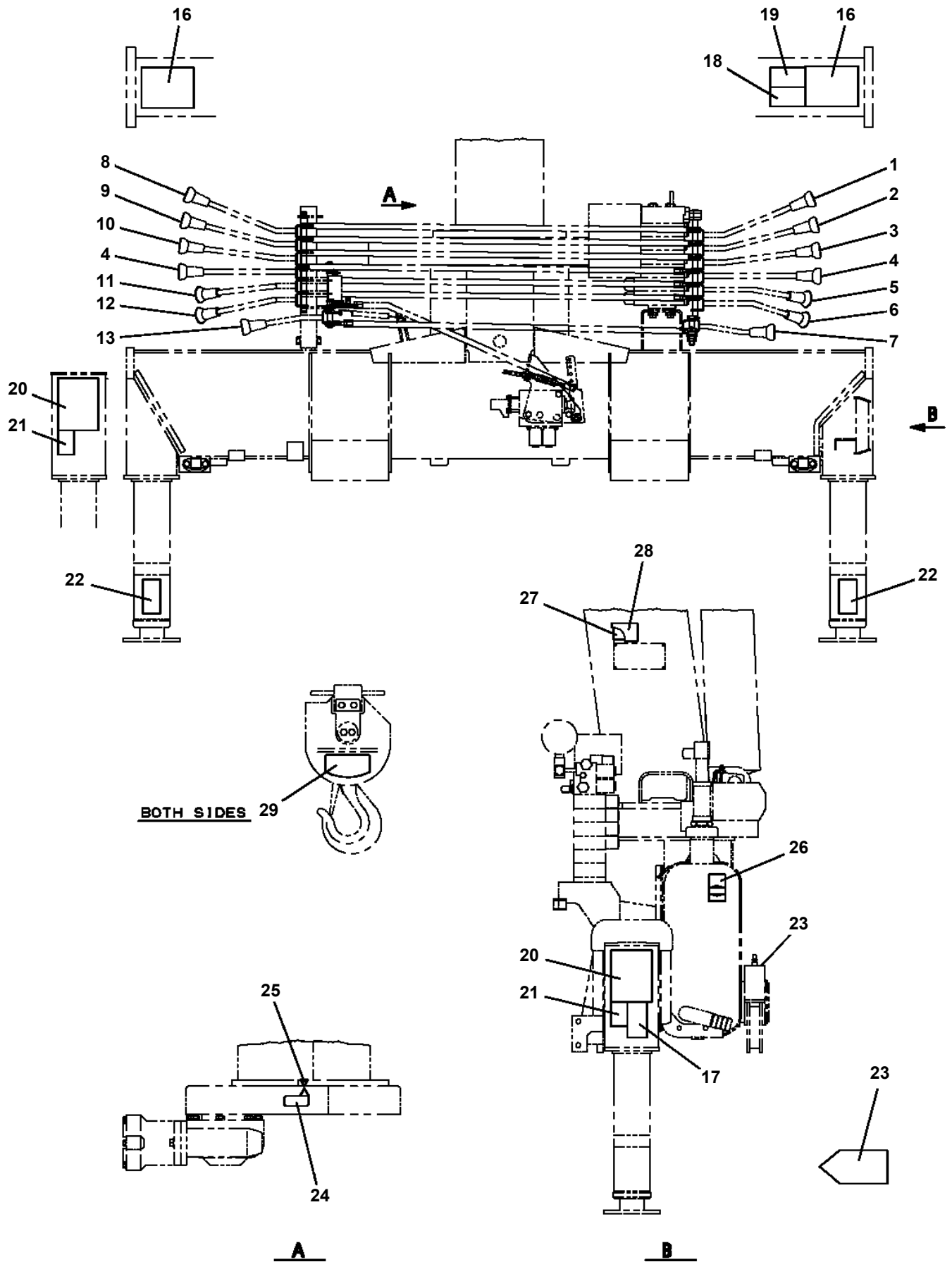
TM-ZR230 41110210721A FRAME/STD,RAC,NABI HOOK
PN1350041-00 REEL,CORD



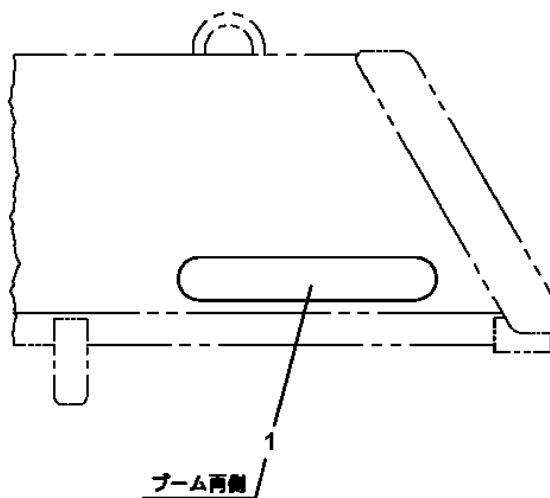
TM-ZR230 41110210721A FRAME/STD,RAC,NABI HOOK
PN5010239-00 NAME PLATE ASSY



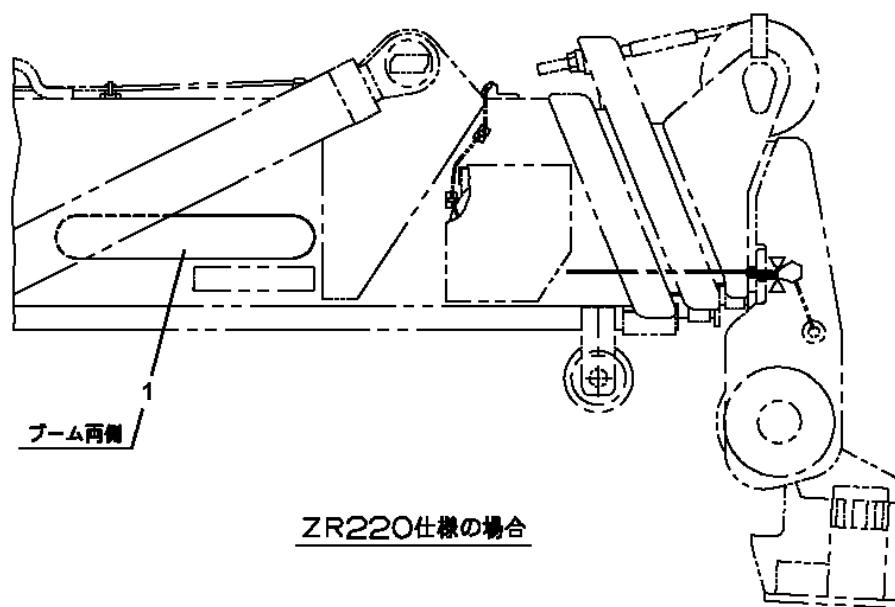
TM-ZR230 41110210721A FRAME/STD,RAC,NABI HOOK
PO1013627-00 PLATE ASSY,NAME (FRAME)



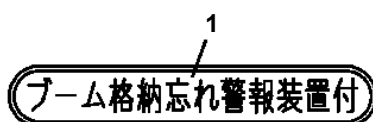
TM-ZR230 41110210721A FRAME/STD,RAC,NABI HOOK
PO1014584-04 PLATE ASSY,NAME (BOOM,ELEV. STOWING FAILURE)



プレート、ネーム貼付位置は参考とする



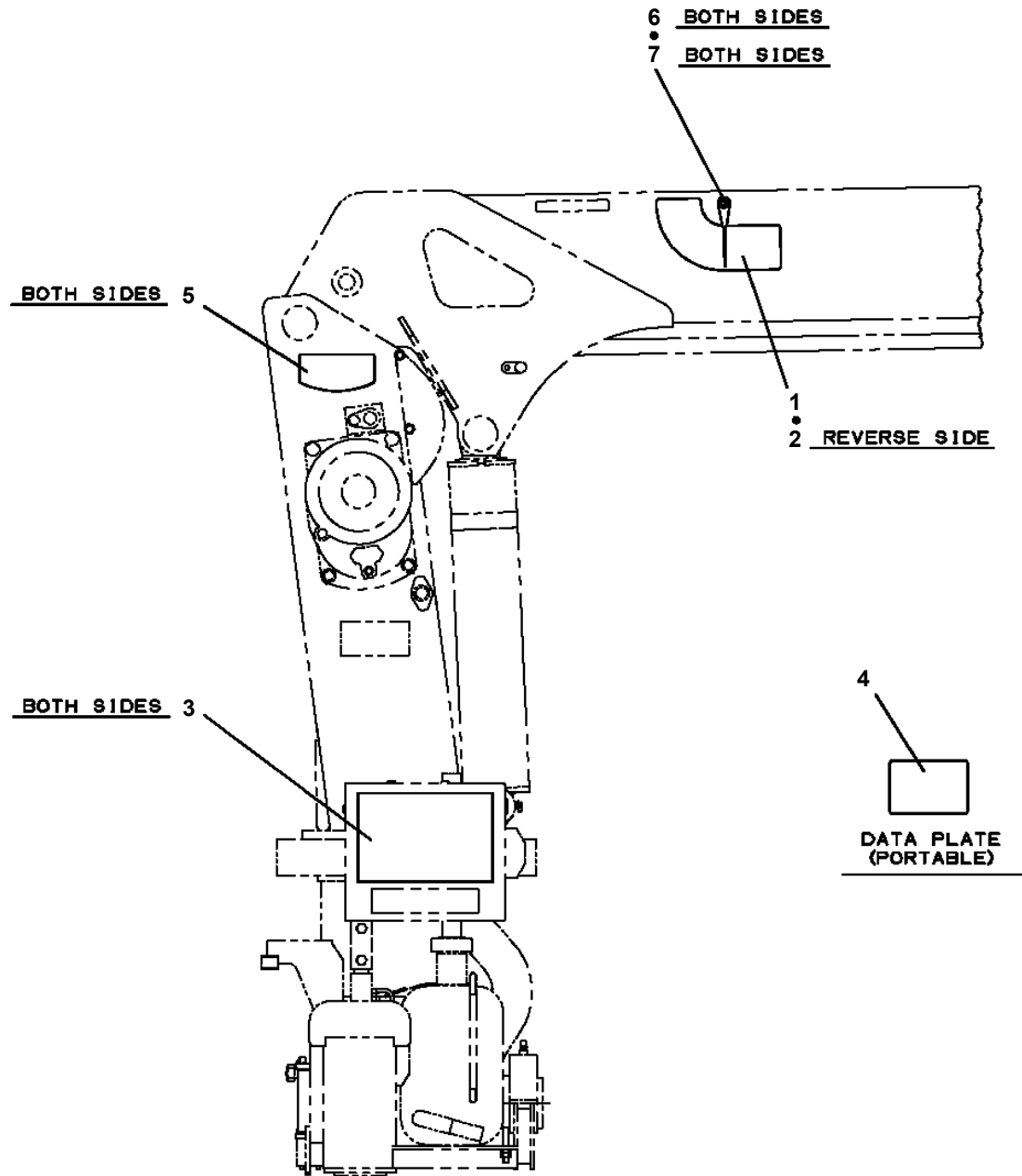
ZR220仕様の場合



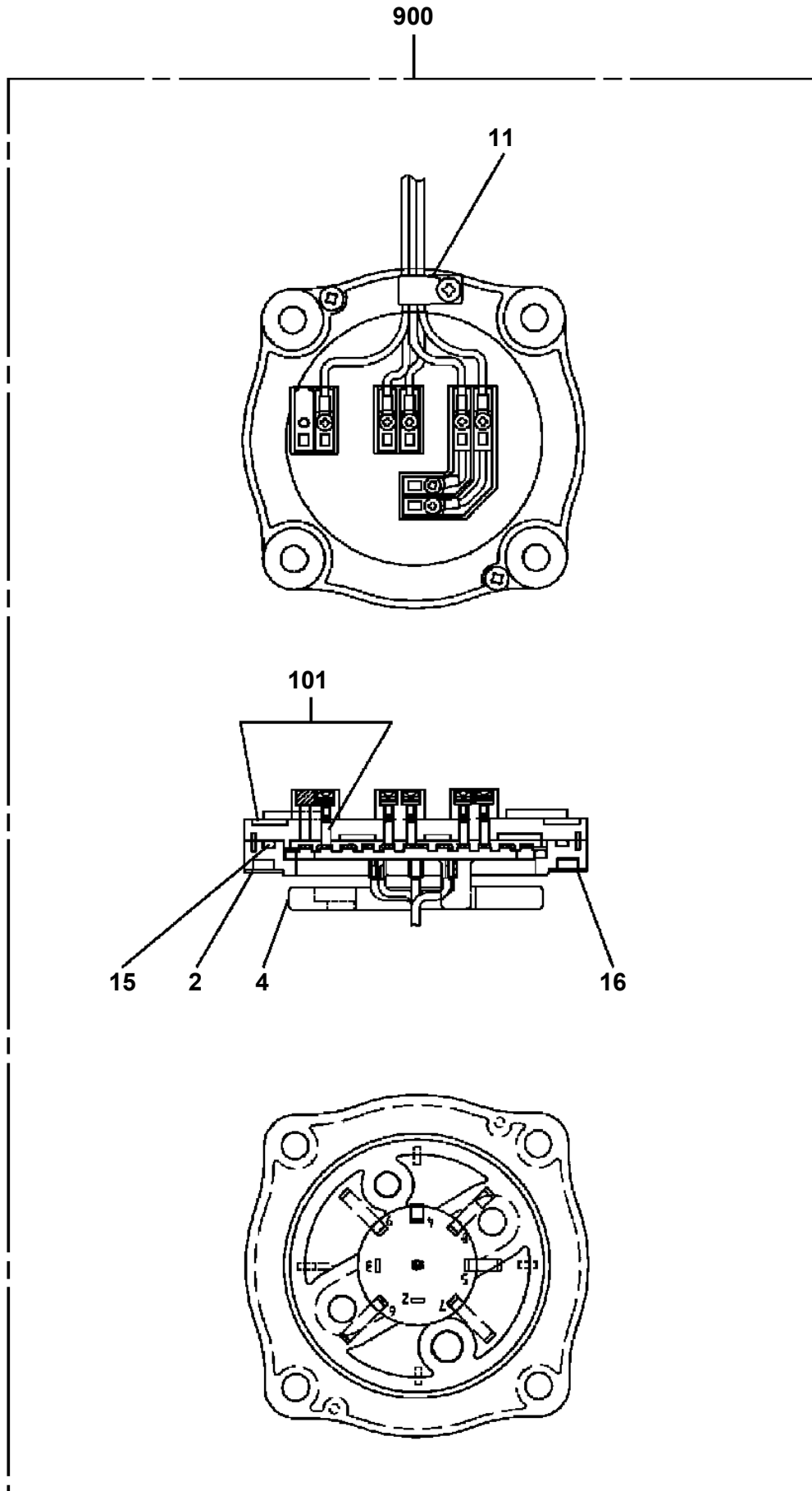
ブーム段数参考

THE BOOM SECTIONS IN THE ILLUSTRATION ARE FOR REFERENCE.

**TM-ZR230 41110210721A FRAME/STD,RAC,NABI HOOK
PO1070147-00 PERFORMANCE DATA (ZR233/C:JAPANESE)**

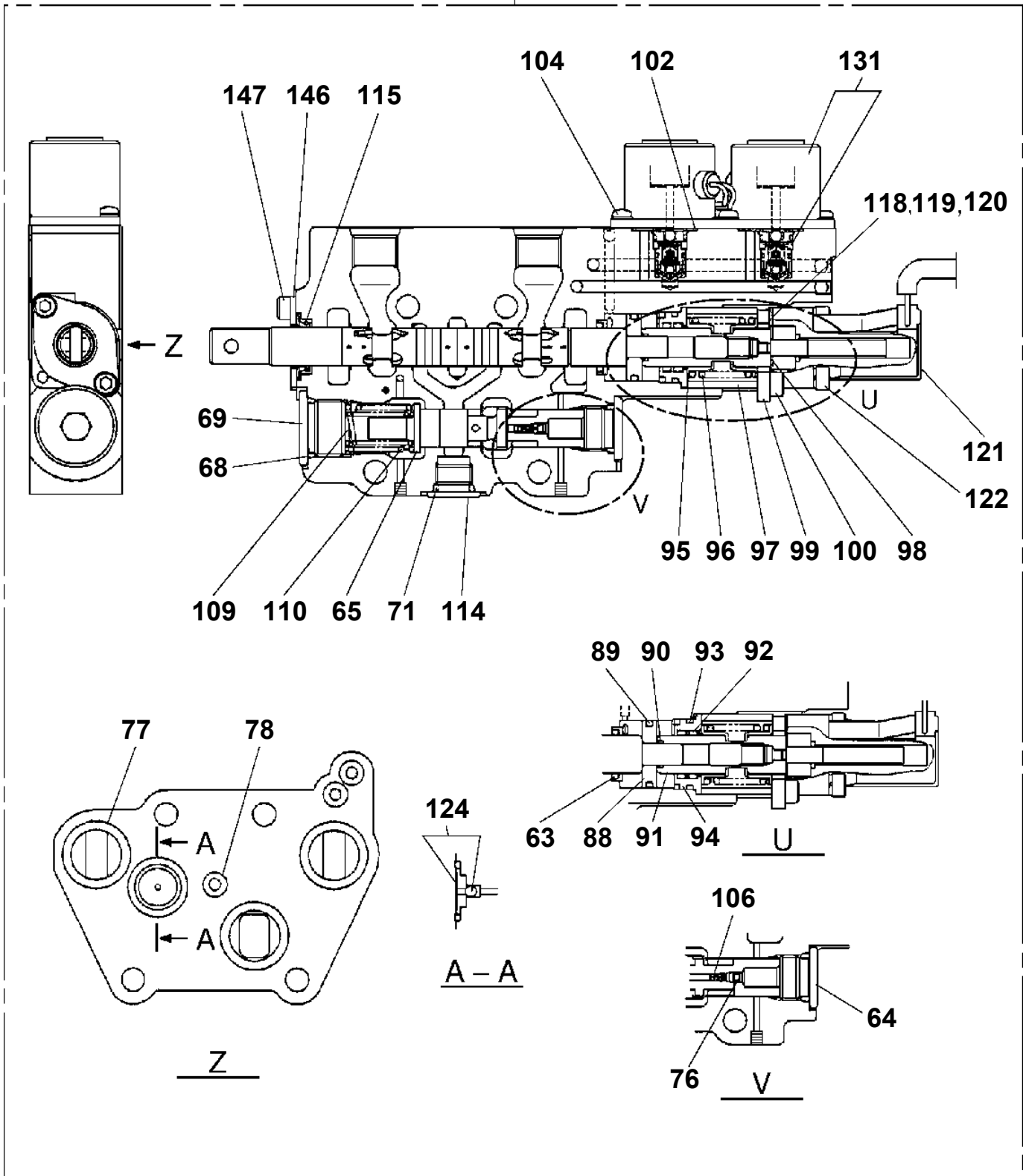


TM-ZR230 41110210721A FRAME/STD,RAC,NABI HOOK
PR5130002-00 RING ASSY,SLIP



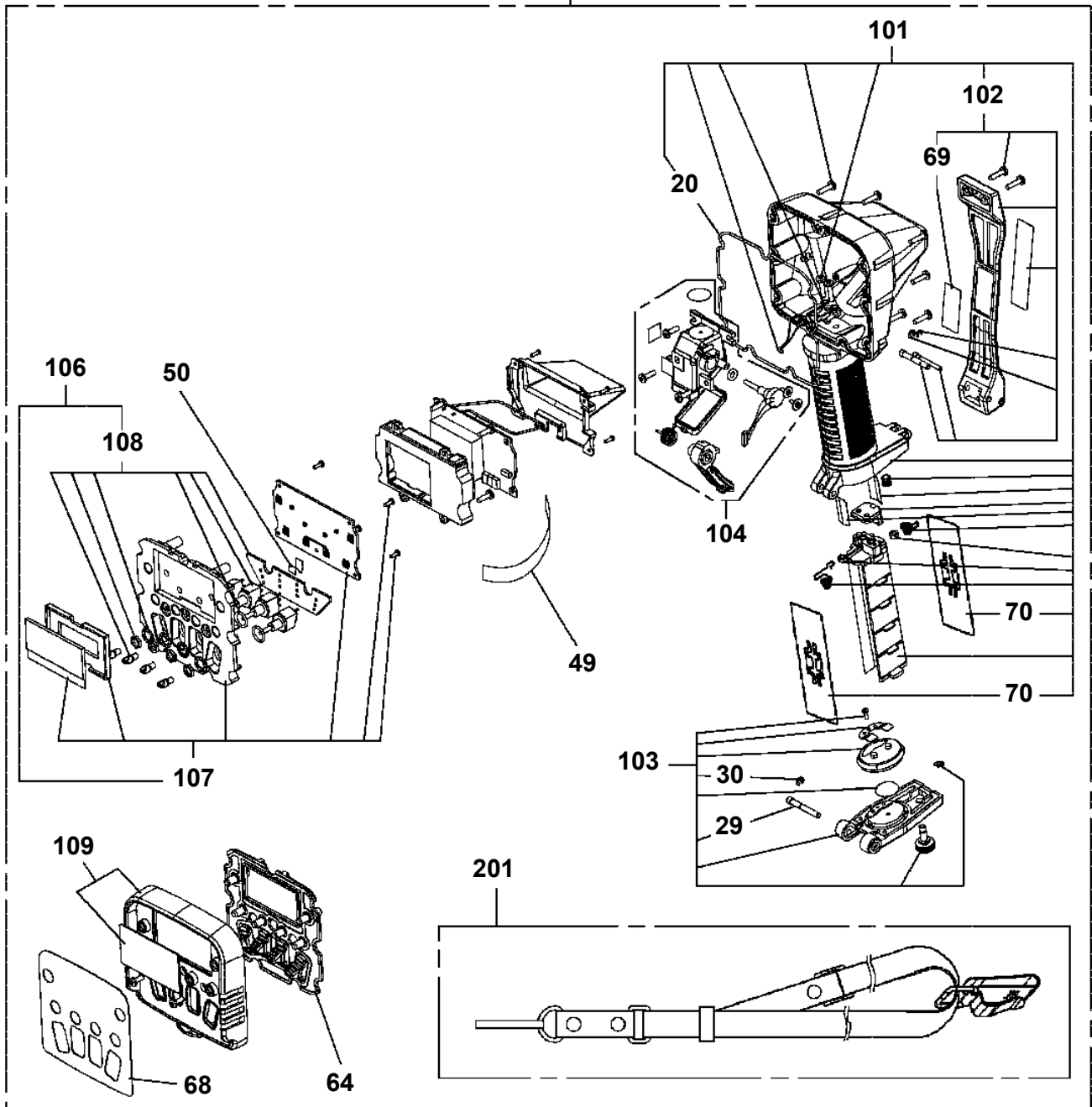
TM-ZR230 41110210721A FRAME/STD,RAC,NABI HOOK
PV1020303-00 VALVE,REMOTE CONTROL

7



TM-ZR230 41110210721A FRAME/STD,RAC,NABI HOOK
PV1030105-04 SWITCH BOX

300



注意

1. 本体分解時には、指示番号20の「Oリング (ケース)」を併せて注文ください。
2. お送りする「ラベル (コクイン)」には製造番号は印字されていないので記入してください。

NOTICE

1. When disassembling the main unit, order a key No.20 [O-RING(CASE)] beforehand.
2. Serial No.is not stamped on the 「 LABEL(SELIAL)」 before shipment. Fill in the blank by yourself.

TM-ZR230 41110210721A FRAME/STD,RAC,NABI HOOK

Pos No.	Parts No	Parts Name	Qty	Unit	Technical Data	Serial No (Start)	Serial No (End)
1	(*****)	RADIO CONTROL (KIT:LCD)	1				
11	(*****)	ELEC.ASSY (BML)	1				
12	(*****)	DETECTOR,AREA (BML)	1				
13	(*****)	ELEC.ASSY (FRAME)	1				
14	(*****)	ELEC.ASSY (HARNES FOR STANDBY POWER)	1				
15	(*****)	PLATE ASSY,NAME (AWL)	1				
16	(*****)	PLATE ASSY,NAME (EXTENSHON SW./W-HOLE)	1				

TM-ZR230 41110210721A FRAME/STD,RAC,NABI HOOK

Pos No.	Parts No	Parts Name	Qty	Unit	Technical Data	Serial No (Start)	Serial No (End)	F
10	36804912000	ANTENNA (FOR RADIO CONTROL)	1					

TM-ZR230 41110210721A FRAME/STD,RAC,NABI HOOK

Pos No.	Parts No	Parts Name	Qty	Unit	Technical Data	Serial No (Start)	Serial No (End)
1	(*****)	DETECTOR,DISORDERLY WIND (WITH COVER)	1				
2	(*****)	PLATE (355X355,H=80)	1				
	(*****)	PLATE (500X500,H=90)	1				
3	(*****)	OUTRIGGER,REAR (ROTARY,DAY CAB)	1				
	(*****)	OUTRIGGER,REAR (ROTARY)	1				
4	(*****)	POWER SUPPLY (MOUNT)	1				
5	(*****)	VALVE,MANUAL CONTROL(DUMP/NIHON SPINDLE)	1				

CLICK HERE TO **DOWNLOAD** THE COMPLETE MANUAL

- Thank you very much for reading the preview of the manual.
- You can download the complete manual from: www.heydownloads.com by clicking the link below



- Please note: If there is no response to CLICKING the link, please download this PDF first and then click on it.

CLICK HERE TO **DOWNLOAD** THE COMPLETE MANUAL