

TM-ZF500 31093010330A FRAME/STD,REMOTE-RADIO CONT.,HOOK-IN

PB2000004-01 POWER TAKE OFF & PUMP

PK2000779-00 FRAME UNIT

PO1000122-01 INDICATION PLATES

PV1000075-02 REMOTE CONTROL SYSTEM

PY1000987-00 OPTIONS (STD)

ASSEMBLY

CLICK HERE TO **DOWNLOAD** THE COMPLETE MANUAL

- Thank you very much for reading the preview of the manual.
- You can download the complete manual from: www.heydownloads.com by clicking the link below



- Please note: If there is no response to CLICKING the link, please download this PDF first and then click on it.

CLICK HERE TO **DOWNLOAD** THE COMPLETE MANUAL

TM-ZF500 31093010330A FRAME/STD,REMOTE-RADIO CONT.,HOOK-IN

Pos No.	Parts No	Parts Name	Qty	Unit	Technical Data	Serial No
1	(*****)	REMOTE CONTROL (HOOK-IN,AUSTRALIA)	1			
	(*****)	REMOTE CONTROL (KIT)	1			
2	(*****)	RADIO CONTROL (FREQUENCY C)	1			
	(*****)	RADIO CONTROL (HOOK-IN,AUSTRALIA)	1			
	(*****)	RADIO CONTROL	1			
	(*****)	RADIO CONTROL (PARTS)	1			
	(*****)	RADIO CONTROL (FREQ.F,TAIWAN)	1			
3	(*****)	PARTS ASSY,RADIO CONTROLLER (KIT:LED/NACHI)	1			
	(*****)	PARTS ASSY,RADIO CONTROLLER (KIT:LED/SANWA)	1			
4	(*****)	RADIO CONTROLLER ASSY (F-TYPE:LED/WITH HOOK-IN)	1			
	(*****)	RADIO CONTROLLER ASSY (F-TYPE:LED/WITHOUT HOOK-IN)	1			
5	(*****)	PARTS,BML (3,4 SECT.RADICON HOOK-IN)	1			
	(*****)	PARTS,BML (5,6 SECT.HOOK-IN)	1			
	(*****)	PARTS,BML	1			
	(*****)	PARTS,BML (5,6 SECT.RADICON HOOK-IN)	1			
	(*****)	PARTS,BML (ZF503HE,FOR MORITA PUMP)	1			
	(*****)	PARTS,BML (3,4 SECT.HOOK-IN)	1			
	(*****)	PARTS,BML (3,4 SECT.MANUAL)	1			
	(*****)	PARTS,BML (5,6 SECT.MANUAL)	1			
6	(*****)	PARTS,AWL	1			
	(*****)	PARTS,AWL (5,6 SECT./MANUAL)	1			
	(*****)	PARTS,AWL (3,4 SECT./MANUAL)	1			
	(*****)	PARTS,AWL (5.6 SECT./RADICON OR MH)	1			
	(*****)	PARTS,AWL (3.4 SECT./RADICON OR MH)	1			
7	36800280000	CABLE,REMOTE CONTROL (T,OPTION 20M)	1			
8	36802760000	ANTENNA (15M.TRAVELLING TYPE C,D,E)	1			
	36800150000	ANTENNA (15M.TRAVELLING TYPE A,B)	1			
9	(*****)	DETECTOR,DISORDERLY WINDING	1			
10	(*****)	PLATE (355X355,H=80)	1			
11	36081610000	REDUCER,SWING SPEED	1			
12	(*****)	HOOK	1			
13	(*****)	WINCH (DRUM FREE)	1			
14	(*****)	ROPE,GUIDE	1			
15	(*****)	OUTRIGGER,REAR (CAB BACK)	1			
	(*****)	OUTRIGGER,REAR (ROTARY/HIGH TRUK BED)	1			
	(*****)	OUTRIGGER,REAR (ROTARY/LOW TRUK BED)	1			
16	(*****)	TANK,OIL (LARGE AMOUNT)	1			
	(*****)	TANK,OIL (LARGE AMOUNT/FOR EXP.)	1			
17	(*****)	LAMP (MOUNT,POST/24V-60W)	1			
18	(*****)	LAMP (MOUNT,BOOM/24V-45W)	1			
19	(*****)	ALARM SYSTEM	1			
	(*****)	ALARM SYSTEM	1			
	(*****)	ALARM SYSTEM	1			
	(*****)	ALARM SYSTEM	1			
	(*****)	ALARM SYSTEM	1			
	(*****)	ALARM SYSTEM	1			
20	(*****)	ELEC.ASSY	1			
	(*****)	ELEC.ASSY	1			
21	(*****)	ELEC.ASSY (AWL LAMP/STOP TO CONFIGURATION)	1			
22	(*****)	COOLER,OIL	1			
23	(*****)	JOINT,ROTARY (RING ASSY,SLIP)	1			
24	(*****)	PLATE ASSY,NAME (FOR FIXING AWL)	1			

EH4190
EH4190

TM-ZF500 31093010330A FRAME/STD,REMOTE-RADIO CONT.,HOOK-IN

Pos No.	Parts No	Parts Name	Qty	Unit	Technical Data	Serial No (Start)	Serial No (End)	Remarks	Page
1	36400015010	CASE	1						
2	36400015020	GEAR	1						
3	36400015030	SHAFT	1						
4	36400015040	ADAPTER	1						
5	36400015050	SHAFT (FORK)	1						
6	36400015060	FORK	1						
7	52430604200	BALL,STEEL	1		10				
8	52430604190	SPRING	1						
9	52430304150	BOLT (ADJUSTING)	1						
10	52430604180	PACKING	1						
11	52430604210	NUT	1		M12				
12	80500006306	BEARING,BALL	1						
13	80500006007	BEARING,BALL	1						
14	91206035002	SEAL,OIL	1						
15	91216020001	SEAL,OIL	1						
16	36400015070	O-RING	1						
17	36400015080	PLUG	1						
18	36400015090	PACKING	1						
19	52630203020	PACKING	1						
20	36400015100	BOLT	2		M12X50X1.15				
21	90264201200	NUT	2		M12				
22	90302041201	WASHER,SPRING	2		12				
23	90191210030	BOLT	2		M10X30				
24	36400015110	BOLT	6		M10X40X1.5				
25	90264201000	NUT	6		M10				
26	90302041001	WASHER,SPRING	8		10				
50	36400010000	POWER TAKE OFF	1						

TM-ZF500 31093010330A FRAME/STD,REMOTE-RADIO CONT.,HOOK-IN

Pos No.	Parts No	Parts Name	Qty	Unit	Technical Data	Serial No (Start)	Serial No (End)	Remarks	Page
1	51630401010	CASE	1						
2	51630401020	GEAR	1						
3	51630401030	SHAFT	1						
4	51630401040	SHAFT (FORK)	1						
5	51630401050	FORK	1						
6	90192210016	BOLT	8		M10X16				
7	90302041001	WASHER,SPRING	8		10				
8	80500006305	BEARING,BALL	1						
9	51630401140	BEARING,ROLLER	1						
10	91204020001	SEAL,OIL	1						
11	91204025003	SEAL,OIL	1						
12	51630401060	SHIM	1						
13	51630401070	COVER (FRONT)	1						
14	51630401080	COVER (REAR)	1						
15	51630401090	PACKING	2						
16	51630401100	BOLT (ADJUSTING)	1						
17	51630401110	SPRING	1						
18	90211201600	NUT	1		M16				
19	80560061000	BALL,STEEL	1		3/8				
20	52130404310	KEY	1						
21	52130102030	COUPLING	1						
22	36400135150	NUT	1		M4X1.5				
23	52230102330	STOPPER	1						
24	36400135160	WASHER,PLAIN	1						
25	51630401130	PACKING (CASE)	1						
26	90193712110	BOLT (N4B)	4		M12X110				
27	90302041201	WASHER,SPRING	4		12				
30	51630401000	POWER TAKE OFF	1						

TM-ZF500 31093010330A FRAME/STD,REMOTE-RADIO CONT.,HOOK-IN

Pos No.	Parts No	Parts Name	Qty	Unit	Technical Data	Serial No (Start)	Serial No (End)	Remarks	Page
1	52430104010	CASE	1						
2	52430103020	PACKING	1						
3	52430604050	PACKING	2						
4	90302041001	WASHER,SPRING	6		10				
5	52130404310	KEY	1						
6	52130105070	WASHER,PLAIN	1						
7	52230102330	STOPPER	1						
8	52130105090	NUT,LOCK	1						
9	91206025010	SEAL,OIL	1						
11	80500006205	BEARING,BALL	2						
12	52430103040	GEAR,OUTPUT	1						
13	52430104020	SHAFT (OUTPUT)	1						
14	52130404040	COVER	1						
15	52130105100	COVER	1						
16	52430103060	FORK	1						
17	52430604200	BALL,STEEL	1		10				
18	52430604190	SPRING	1						
19	52430304150	BOLT (ADJUSTING)	1						
20	52430604180	PACKING	1						
21	52430604210	NUT	1		M12				
22	52430103030	SHAFT (SHIFTER)	1						
23	91206020007	SEAL,OIL	1						
24	90302040801	WASHER,SPRING	3		8				
25	90191208020	BOLT	8		M8X20				
26	90191210028	BOLT	4						
27	52430104040	BOLT	2						
28	90264251000	NUT	2						
29	52130102030	COUPLING	1						
50	52430104000	POWER TAKE OFF	1						

TM-ZF500 31093010330A FRAME/STD,REMOTE-RADIO CONT.,HOOK-IN

Pos No.	Parts No	Parts Name	Qty	Unit	Technical Data	Serial No (Start)	Serial No (End)	Remarks	Page
1	52130307050	CASE	1						
2	52130307020	GEAR,INPUT	1						
3	52130307030	GEAR,OUTPUT	1						
4	52130307040	SHAFT (INPUT)	1						
5	52130307010	SHAFT (OUTPUT)	1						
6	52130307060	SHAFT (SHIFTER)	1						
7	52130307070	SHAFT	1						
8	52130307080	FORK (SHIFTER)	1						
9	52130202330	COVER	1						
10	52130202320	COVER (BEARING)	1						
11	52130202030	YOKE	1						
12	52130307120	COLLAR	1						
13	52130307120	COLLAR	1						
14	80500006206	BEARING,BALL	2						
15	80500006205	BEARING,BALL	2						
16	91206030009	SEAL,OIL	1						
17	91206020007	SEAL,OIL	1						
18	52130307180	KEY	1						
19	52430304110	KEY	1						
20	52130105070	WASHER,PLAIN	1						
21	52430101090	WASHER,PLAIN	1						
22	52430604180	PACKING	1						
23	90209201200	NUT	1		M12				
24	90209201200	NUT	1		M12				
25	52430304150	BOLT (ADJUSTING)	1						
26	52130003200	SCREW,SET	1						
27	80560010000	BALL,STEEL	1		10				
28	52430604190	SPRING	1						
29	52130307290	PACKING	2						
30	90191210020	BOLT	8		M10X20				
31	90302041001	WASHER,SPRING	8		10				
32	52130307320	PLUG	1						
33	52130307330	PACKING	1						
50	52130307000	POWER TAKE OFF	1						

TM-ZF500 31093010330A FRAME/STD,REMOTE-RADIO CONT.,HOOK-IN

Pos No.	Parts No	Parts Name	Qty	Unit	Technical Data	Serial No (Start)	Serial No (End)	Remarks	Pages
1	36400435010	CASE	1						
2	36400435020	GEAR	1						
3	36400435030	SHAFT	1						
4	36400435040	SLEEVE	1						
5	36400435050	BEARING,PLAIN	1						
6	36400435060	SHIFTER SET	1						
7	36400095110	PACKING	1						
8	36400095070	COVER (BEARING)	1						
9	36400095080	PACKING (COVER)	1						
10	36400095090	SHIM	N						
11	36400435070	COLLAR	1						
12	80500006206	BEARING,BALL	1						
13	80500006007	BEARING,BALL	1						
14	80801002520	BEARING,PLAIN	2						
15	91216035002	SEAL,OIL	1						
16	90191208014	BOLT	3		M8X14				
17	90191208020	BOLT	4		M8X20				
18	90302040801	WASHER,SPRING	7		8				
19	36400435080	PLATE,NAME	1						
21	36400435090	PACKING (CASE)	1						
22	36400435100	BOLT,STUD	2						
23	36400435110	BOLT,STUD	2						
24	36400435120	BOLT,STUD	2						
25	90267401200	NUT	6						
26	90302041201	WASHER,SPRING	6		12				
27	31790680100	SUPPORT	1						
28	90191208025	BOLT	2		M8X25				
50	36400430000	POWER TAKE OFF	1						
100	31791760000	POWER TAKE OFF	1						

TM-ZF500 31093010330A FRAME/STD,REMOTE-RADIO CONT.,HOOK-IN

Pos No.	Parts No	Parts Name	Qty	Unit	Technical Data	Serial No (Start)	Serial No (End)	Remarks	Pa
1	36400845060	CASE	1						
2	36400845020	GEAR	1						
3	36400845030	SHAFT	1						
4	36400845040	GEAR	1						
5	36400395050	SHAFT	1						
6	36400095100	SHIFTER ASSY	1						
7	36400095110	PACKING	1						
8	36400095070	COVER (BEARING)	1						
9	36400095080	PACKING (COVER)	1						
10	36400095090	SHIM	1						
11	36400675030	COLLAR	1						
12	80500006206	BEARING,BALL	2						
13	36400675050	BEARING	2						
14	91206030005	SEAL,OIL	1						
15	80602110520	RING,RITAINING	2		R52				
16	36400095130	WASHER	1						
17	90101206015	BOLT	1		M6X15				
18	90191208020	BOLT	4		M8X20				
19	90191208014	BOLT	3		M8X14				
20	90302040801	WASHER,SPRING	7		8				
21	36401025060	PLUG	1						
22	36401025070	WASHER,PLAIN	1						
24	36401025090	PLATE,NAME	1						
25	36401025100	PACKING	1						
26	36400095150	BOLT,STUD	6		M10X1.25/1.5X43				
27	90267201000	NUT	6		M10				
28	90302041001	WASHER,SPRING	6		10				
29	31790770100	SUPPORT	1						
30	90191208025	BOLT	2		M8X25				
31	36401025120	NUT (REINFORCER)	1						
50	36400840000	POWER TAKE OFF	1						
100	31790770000	POWER TAKE OFF	1						

TM-ZF500 31093010330A FRAME/STD,REMOTE-RADIO CONT.,HOOK-IN

Pos No.	Parts No	Parts Name	Qty	Unit	Technical Data	Serial No (Start)	Serial No (End)	Remark
2	51630103010	CASE (P.T.O)	1					
3	51630103020	SHAFT (POWER TAKE OFF)	1					
4	51630103030	BEARING,NEEDLE	1					
6	36400955010	GEAR	1					
7	51630103050	WASHER	2					
8	51630103060	PIN,SPRING	1					
9	36400955020	SHAFT (OUTPUT)	1					
10	51630103080	BEARING,NEEDLE	2					
12	51630103090	GEAR,OUTPUT	1					
13	51630103100	WASHER	1					
15	51630103110	SLEEVE	1					
16	80500006206	BEARING,BALL	3					
17	52630106230	COVER (FRONT)	1					
18	36400955030	ADAPTER	1					
19	51630103140	GASKET	2					
20	51630103150	BOLT	4					
21	36400955040	BOLT	4		M8X25X1.25			
22	36400955050	SEAL,OIL	1					
25	51630103170	SHAFT	1					
26	51630103180	FORK	1					
27	51630103190	BOLT	1					
28	52630106200	BALL,STEEL	1					
29	52630106190	SPRING	1					
30	51630103200	PLUG	1					
31	51630103210	PLUG	1					
32	51630103220	SEAL,OIL	1					
33	51630103230	BOLT	1					
35	51630103240	NUT	1					
36	51630103250	GASKET	1					
37	51630103260	GASKET	1					
38	36400315040	BOLT	6					
40	36400955060	COUPLING	1					
41	36400955070	RING,STOP	1					
50	36400950000	POWER TAKE OFF	1					

TM-ZF500 31093010330A FRAME/STD,REMOTE-RADIO CONT.,HOOK-IN

Pos No.	Parts No	Parts Name	Qty	Unit	Technical Data	Serial No (Start)	Serial No (End)	Remarks	Pages
1	36401105010	CASE	1						
2	36401105100	GEAR	1						
3	36401105030	SHAFT	1						
4	36401105110	GEAR	1						
5	36401105050	COLLAR	1						
6	36400395050	SHAFT	1						
7	36400095070	COVER (BEARING)	1						
8	36400095080	PACKING (COVER)	1						
9	36400095090	SHIM	1						
10	36401105060	SHIFTER SET	1						
11	36400995080	PACKING	1						
12	80500006206	BEARING,BALL	2						
14	36400675050	BEARING	2						
15	80602110520	RING,RITAINING	2		R52				
16	91206030005	SEAL,OIL	1						
17	90101206015	BOLT	1		M6X15				
18	36400095130	WASHER	1						
19	90191208020	BOLT	4		M8X20				
20	90191208014	BOLT	3		M8X14				
21	90302040801	WASHER,SPRING	7		8				
23	36400915060	PACKING	2						
24	36401105120	SPACER	1						
25	36401105080	BOLT	6						
26	90267401200	NUT	6						
27	90302041201	WASHER,SPRING	6		12				
29	90191208025	BOLT	2		M8X25				
30	31790790100	SUPPORT	1						
50	36401100000	POWER TAKE OFF	1						
100	31790850000	POWER TAKE OFF	1						

TM-ZF500 31093010330A FRAME/STD,REMOTE-RADIO CONT.,HOOK-IN

Pos No.	Parts No	Parts Name	Qty	Unit	Technical Data	Serial No (Start)	Serial No (End)	Remarks	Page
1	36401785010	CASE	1						
2	36401785020	GEAR	1						
3	36401785030	SHAFT	1						
4	36401785040	GEAR	1						
5	36401785050	SHAFT	1						
6	36401105060	SHIFTER SET	1						
7	36400995080	PACKING	1						
8	36400995040	COVER	1						
9	36400995050	PACKING (COVER)	1						
10	36400995060	SHIM	N						
11	36401785060	COLLAR	1						
12	80500006306	BEARING,BALL	2						
13	36400135070	BEARING	2						
14	91206030005	SEAL,OIL	1						
15	80602110620	RING,RITAINING	2		R62				
16	90101206012	BOLT	1		M6X12				
17	36400095130	WASHER	1						
18	90191210016	BOLT	4		M10X16				
19	90302041001	WASHER,SPRING	12		10				
20	90191208020	BOLT	4		M8X20				
21	90302040801	WASHER,SPRING	4		8				
22	36401785070	PLUG	1						
25	36401375050	PACKING	1						
26	36400095150	BOLT,STUD	4		M10X1.25/1.5X43				
27	90191210030	BOLT	4		M10X30				
28	90267201000	NUT	4		M10				
30	90191208025	BOLT	2		M8X25				
31	31790790100	SUPPORT	1						
50	36401780000	POWER TAKE OFF	1						
100	31790820000	POWER TAKE OFF	1						

TM-ZF500 31093010330A FRAME/STD,REMOTE-RADIO CONT.,HOOK-IN

Pos No.	Parts No	Parts Name	Qty	Unit	Technical Data	Serial No (Start)	Serial No (End)	Remarks
1	36651645010	SEAL KIT	1					
10	36653390000	PUMP,HYDRAULIC (SGP2-36)	1					

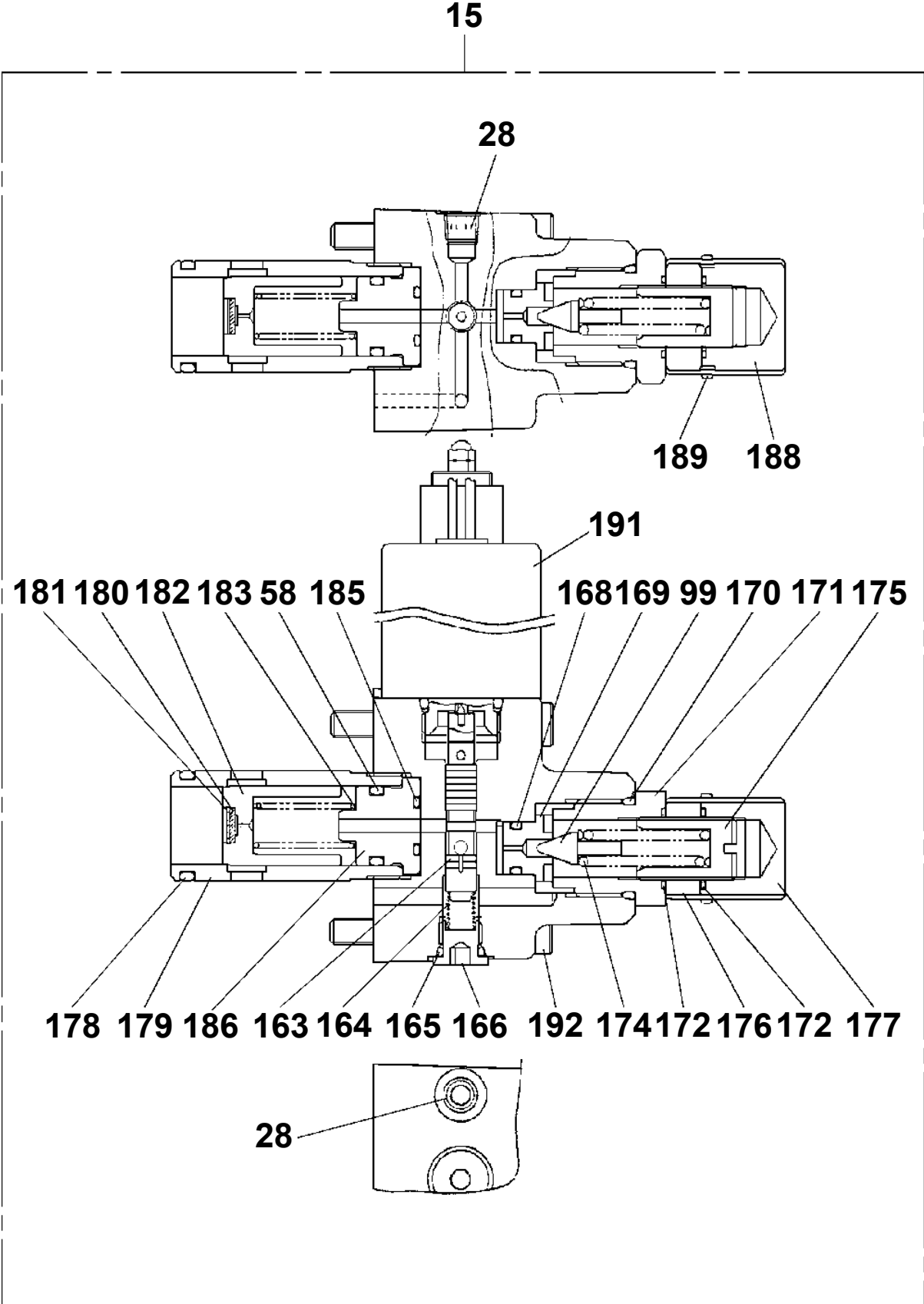
TM-ZF500 31093010330A FRAME/STD,REMOTE-RADIO CONT.,HOOK-IN

Pos No.	Parts No	Parts Name	Qty	Unit	Technical Data	Serial No (Start)	Serial No (End)
1	90101212025	BOLT	6		M12X25		
2	90302041201	WASHER,SPRING	6		12		
3	31660231000	SUPPORT	1				
4	31730351100	BAND	2				
5	36102280000	TANK,OIL	1				
6	31660232000	PLATE	2				
7	90201201000	NUT	4		M10		
21	37002213190	PLATE,NAME (LEVEL,ISO VG46)	1				
22	37002205300	PLATE,NAME (LEVEL)	1				
23	37002220400	PLATE,NAME (HYDR.OIL ISO VG46)	1				

TM-ZF500 31093010330A FRAME/STD,REMOTE-RADIO CONT.,HOOK-IN

Pos No.	Parts No	Parts Name	Qty	Unit	Technical Data	Serial No (Start)	Serial No (End)	Remarks
1	31630801000	JOINT,ROTARY (MURAKAMI)	1					
2	91002801400	O-RING	5		1B P14			
3	37002450950	HOSE	1		L=930		EH2980	
	37002458020	HOSE	1		L=930	EH2981		
4	37002455090	HOSE	1		L=870		EH4601	
	37002450960	HOSE	1		L=890	EH4602		
5	37002455100	HOSE	2		L=860		EH2980	
	37002458040	HOSE	2		L=860	EH2981		
6	37002455110	HOSE	1		L=810			
7	37002455120	HOSE	1		L=780		EH2980	
	37002458050	HOSE	1		L=780	EH2981		
8	91002801100	O-RING	1		1B P11			
9	37002510780	HOSE	1		L=700			
10	91803600200	CLIP	1		D=13-20			
11	31641031000	JOINT	1					
21	31630810100	PLATE	1					
22	90171110020	BOLT	2		M10X20			
23	90302041001	WASHER,SPRING	2		10			

**TM-ZF500 31093010330A FRAME/STD,REMOTE-RADIO CONT.,HOOK-IN
PB1320511-01 VALVE,MANUAL CONTROL (NABCO)**



TM-ZF500 31093010330A FRAME/STD,REMOTE-RADIO CONT.,HOOK-IN

Pos No.	Parts No	Parts Name	Qty	Unit	Technical Data	Serial No (Start)	Serial No (End)
1	81408000081	PIPE,STEEL	1	M	8X1.2T		
2	81408000081	PIPE,STEEL	1	M	8X1.2T		
3	36062440000	CYLINDER,ACCELERATOR	1				EH5562
	36062740000	CYLINDER,ACCELERATOR	1			EH5563	
4	90101208070	BOLT	2		M8X70		
5	90302040801	WASHER,SPRING	6		8		
6	90201780800	NUT	4		M8		
7	36645400000	VALVE,REMOTE CONTROL (SANWA)	1				
8	80302120040	FITTING	2		POA08PF1/4		
9	91002801100	O-RING	4		1B P11		
10	80303210040	FITTING,ELBOW	2				
11	36672590000	FILTER,OIL (CARTRIDGE)	1				
12	31474004100	PLATE,NAME	1				
13	31330912100	PLATE,NAME	1				
14	81408000160	PIPE,STEEL	1	M	12X1.4T		

TM-ZF500 31093010330A FRAME/STD,REMOTE-RADIO CONT.,HOOK-IN

Pos No.	Parts No	Parts Name	Qty	Unit	Technical Data	Serial No (Start)	Serial No (End)
1	81408000120	PIPE,STEEL	1	M	10X1.5T		
2	81408000120	PIPE,STEEL	1	M	10X1.5T		
3	31640650300	JOINT,SWIVEL	1				
4	80400160182	JOINT (WITH O-RING)	3				
5	80481003027	JOINT	1				
6	91002801400	O-RING	13		1B P14		
7	91810130270	FASTENER	4				
8	31641800300	COVER	1				
10	81408000120	PIPE,STEEL	2	M	10X1.5T		
11	81408000120	PIPE,STEEL	2	M	10X1.5T		
12	90101208014	BOLT	4		M8X14		
13	90302040801	WASHER,SPRING	8		8		
14	37002502440	HOSE	1		L=300		
15	91803600400	CLIP	4		D=27-40		
16	91002802900	O-RING	1		1B P29		
17	36672390000	FILTER,OIL (WAKO)	1				
18	91803600200	CLIP	1		D=13-20		
19	80481003037	JOINT	4				
20	80400160180	JOINT (WITH O-RING)	1				
21	80302120100	FITTING	1		POA12 PF1/4		
22	91002801100	O-RING	1		1B P11		
23	80302120080	FITTING	8		POA10PF3/8		
24	37000924770	FITTING,ELBOW	2				
25	31642591300	SUPPORT	2				
26	37000922410	JOINT	2				
27	37002455150	HOSE	1		L=1480		
28	37002511460	HOSE	1		L=1520		
29	80430620800	JOINT	1				
30	36646220000	VALVE,REMOTE CONTROL (SANWA)	1				
31	90201780800	NUT	4		M8		
32	37000924070	JOINT	2		S,G1/2-G1/2		
33	80481004042	JOINT	1				
34	91002801800	O-RING	3		1B P18		
55	91002801000	O-RING	1		1B P10		
56	91002801400	O-RING	3		1B P14		
61	91002801800	O-RING	4		1B P18		
71	37002454580	HOSE	2		L=2040		
72	37002454570	HOSE	2		L=2000		
73	91810130240	FASTENER	4				
74	31642591240	CLAMP	2		12X2		
75	90101208018	BOLT	2		M8X18		
76	90303070801	WASHER,PLAIN	2		8		
77	90302040801	WASHER,SPRING	2		8		
78	90201200800	NUT	2		M8		
79	31642851530	SUPPORT	2				
90	80400160203	JOINT (WITH O-RING)	1				
101	91002802900	O-RING	1		1B P29		

TM-ZF500 31093010330A FRAME/STD,REMOTE-RADIO CONT.,HOOK-IN

Pos No.	Parts No	Parts Name	Qty	Unit	Technical Data	Serial No (Start)	Serial No (End)
1	80172305008	SCREW,MACHINE	1		M5X8		
2	31621963000	COVER	1				
3	90131508012	BOLT,HEXAGON SOCKET <M8X12.	2				
4	90302040801	WASHER,SPRING	2		8		
5	31611640150	SPRING	1				
6	(*****)	OPE.ASSY,OUTRIGGER	1				
7	37000150360	PIN	1				
8	80601110150	RING,RITAINING	2		15		
9	80530000225	BEARING,BALL (KOYO)	2				EW9477
	31620582020	BEARING,BALL (KOYO)	2			EW9478	
10	37000164980	PIN	2				
11	80602110350	RING,RITAINING	6		R35		
12	31611790200	CASE,OUTER	1				
13	31611790501	CASE,INNER	1				
14	(*****)	CYLINDER,JACK	1				
15	37000165280	PIN	2				
16	31201770100	PLATE,SLIDE	2		T=3.0		
17	31611645000	SHIM	2				
18	31611645100	SHIM	4		T=0.6		
19	31611645200	SHIM	4		T=1.2		
20	31611643000	FLOAT	1				
41	31611300500	PLATE,NAME (WHITE)	2				
42	31611300600	PLATE,NAME (YELLOW)	2				
51	31611649510	SUPPORT	1				EH2968
	31611649520	SUPPORT	1			EH2969	
55	31621963101	SUPPORT	1				
57	31621963200	SUPPORT	1				

TM-ZF500 31093010330A FRAME/STD,REMOTE-RADIO CONT.,HOOK-IN

Pos No.	Parts No	Parts Name	Qty	Unit	Technical Data	Serial No (Start)	Serial No (End)
1	80172305008	SCREW,MACHINE	1		M5X8		
2	31621963000	COVER	1				
3	90131508012	BOLT,HEXAGON SOCKET <M8X12.	2				
4	90302040801	WASHER,SPRING	2		8		
5	31611640150	SPRING	1				
6	36042270000	CYLINDER,EXTENSION (RIGHT)	1				
7	37000150360	PIN	1				
8	80601110150	RING,RITAINING	2		15		
9	80530000225	BEARING,BALL (KOYO)	2				EW9477
	31620582020	BEARING,BALL (KOYO)	2			EW9478	
10	37000164980	PIN	2				
11	80602110350	RING,RITAINING	6		R35		
12	31612020300	CASE,OUTER	1				
13	31611790501	CASE,INNER	1				
14	(*****)	CYLINDER,JACK	1				
15	37000165280	PIN	2				
16	31201770100	PLATE,SLIDE	2		T=3.0		
17	31611645000	SHIM	2				
18	31611645100	SHIM	4		T=0.6		
19	31611645200	SHIM	4		T=1.2		
20	31611643000	FLOAT	1				
22	37000166890	PIN	1				
23	80601110200	RING,RITAINING	2		S20		
24	90172110030	BOLT,HEXAGON SOCKET	1		M10X30		
25	90302041001	WASHER,SPRING	1		10		
41	31611300500	PLATE,NAME (WHITE)	2				
42	31611300600	PLATE,NAME (YELLOW)	2				
51	31611649510	SUPPORT	1				EH2968
	31611649520	SUPPORT	1			EH2969	

TM-ZF500 31093010330A FRAME/STD,REMOTE-RADIO CONT.,HOOK-IN

Pos No.	Parts No	Parts Name	Qty	Unit	Technical Data	Serial No (Start)	Serial N
2	(*****)	PIPING,REAR JACK (1,NOT ROTARY)	1				
3	(*****)	OPE.ASSY,CONT.VALVE	1				
4	(*****)	PLATE ASSY,NAME (O/R FOR CAB BACK OPE.)	1				
11	(*****)	OUTRIGGER (REAR FRAME/NOT ROTARY)	1				
12	(*****)	OUTRIGGER (STD,L=700)	2				
13	(*****)	PIPING,REAR JACK (2,NOT ROTARY)	1				
14	(*****)	PLATE ASSY,NAME (O/R FOR CAB BACK)	1				

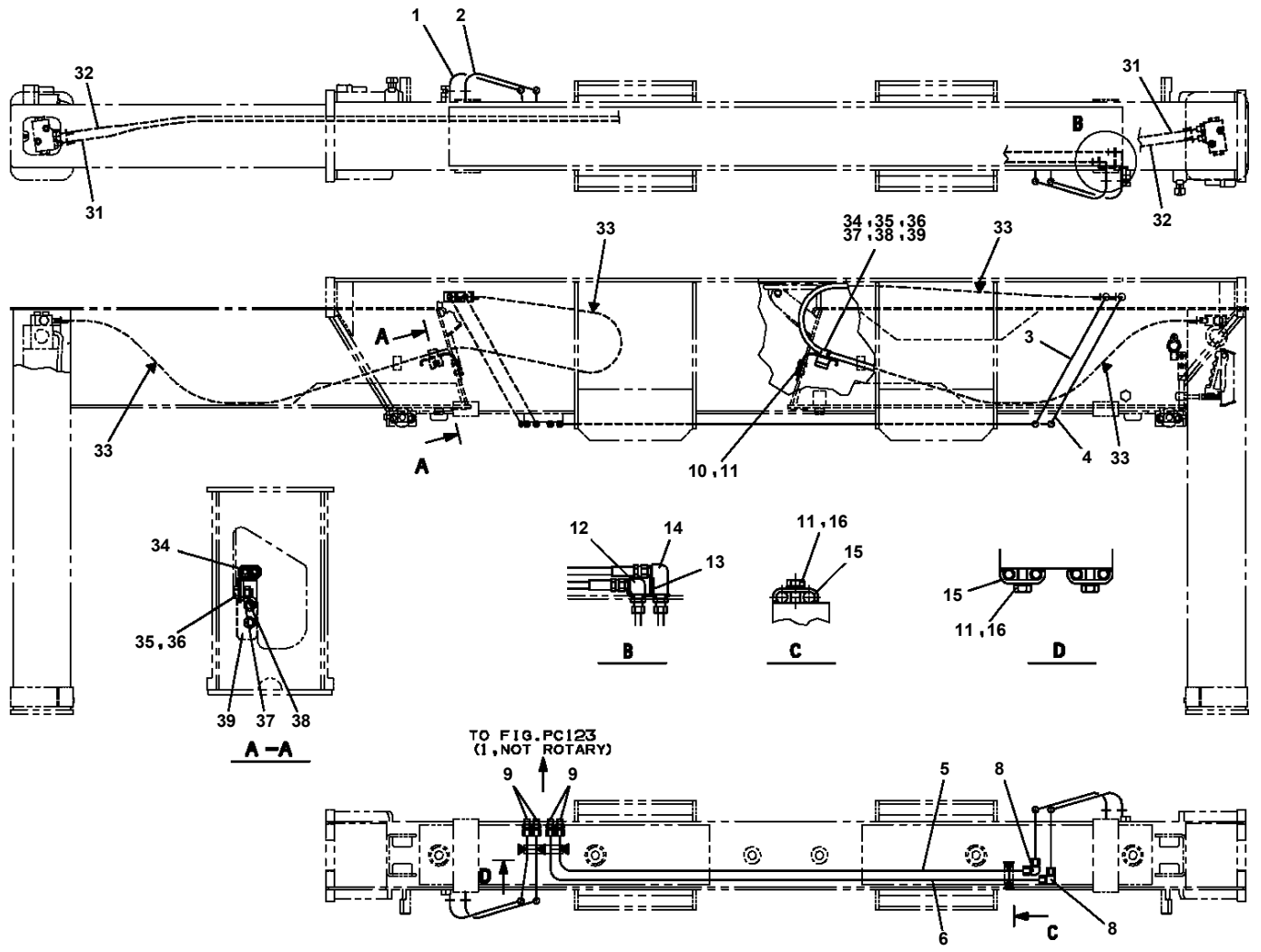
TM-ZF500 31093010330A FRAME/STD,REMOTE-RADIO CONT.,HOOK-IN

Pos No.	Parts No	Parts Name	Qty	Unit	Technical Data	Serial No (Start)	Se
1	36623930000	VALVE,PILOT CHECK	1				
2	90172110040	BOLT,HEXAGON SOCKET	2		M10X40		
3	80491002020	JOINT (WITH O-RING)	2				
4	91001101000	O-RING	2		1A P10		
5	36033920000	CYLINDER,JACK	1				
11	91002801100	O-RING	2		1B P11		
21	36033920100	CYLINDER	1				
22	36033920200	PISTON	1				
23	91002903500	O-RING	1		1B G35		
24	91350208501	BEARING,PLAIN(PACKINGX2+BEARING,PLAINX1)	1				
25	36032710200	COVER,ROD	1				
26	91002908000	O-RING	1		1B G80		
27	91694007001	PACKING	1				
28	91410207001	RING,BACKUP	1				
29	91660007001	SEAL,DUST	1				
30	36033920300	ROD	1				
50	36033929900	PACKING SET	1		70X85		

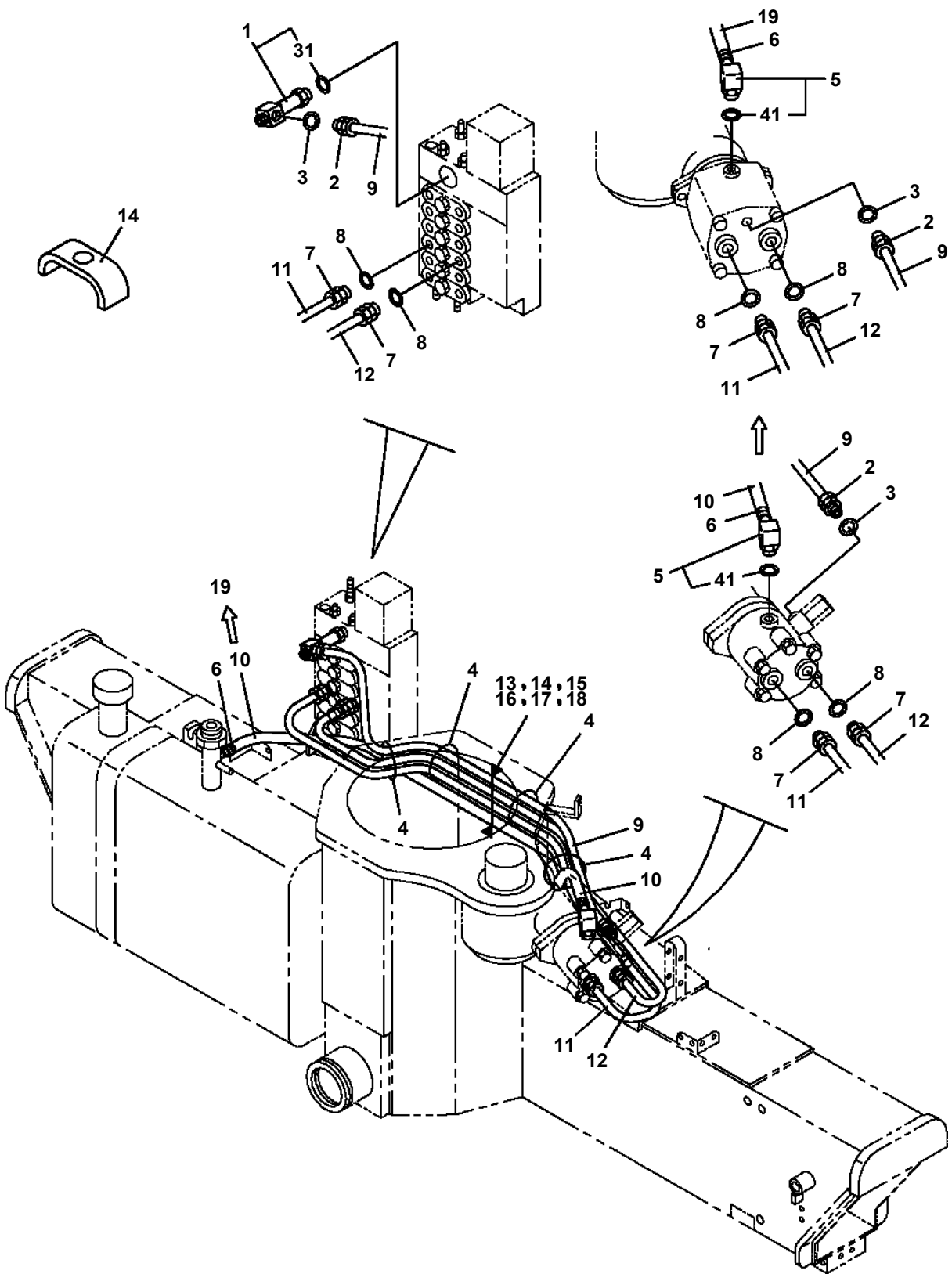
TM-ZF500 31093010330A FRAME/STD,REMOTE-RADIO CONT.,HOOK-IN

Pos No.	Parts No	Parts Name	Qty	Unit	Technical Data	Serial No (Start)	Serial No (End)	Remarks	Pages
1	82401600506	CLAMP	8		D6.5				
2	31360214100	HARNESS	1						
3	82401601002	CLAMP	1						
4	91810130240	FASTENER	16						
5	31360204300	SWITCH ASSY	2						
6	90101206008	BOLT	4		M6X8				
7	90302040601	WASHER,SPRING	4		6				
8	82100002596	RELAY	1						
9	31652300100	COVER	1						
10	31360204200	BUZZER ASSY	1						
11	90101208014	BOLT	3		M8X14				
12	90302040801	WASHER,SPRING	3		8				
13	90303070801	WASHER,PLAIN	3		8				
21	31360204400	SWITCH ASSY	2						
22	31360204310	SUPPORT	2						
31	82108101100	SWITCH	2						
42	31652300110	PLATE,NAME	1						

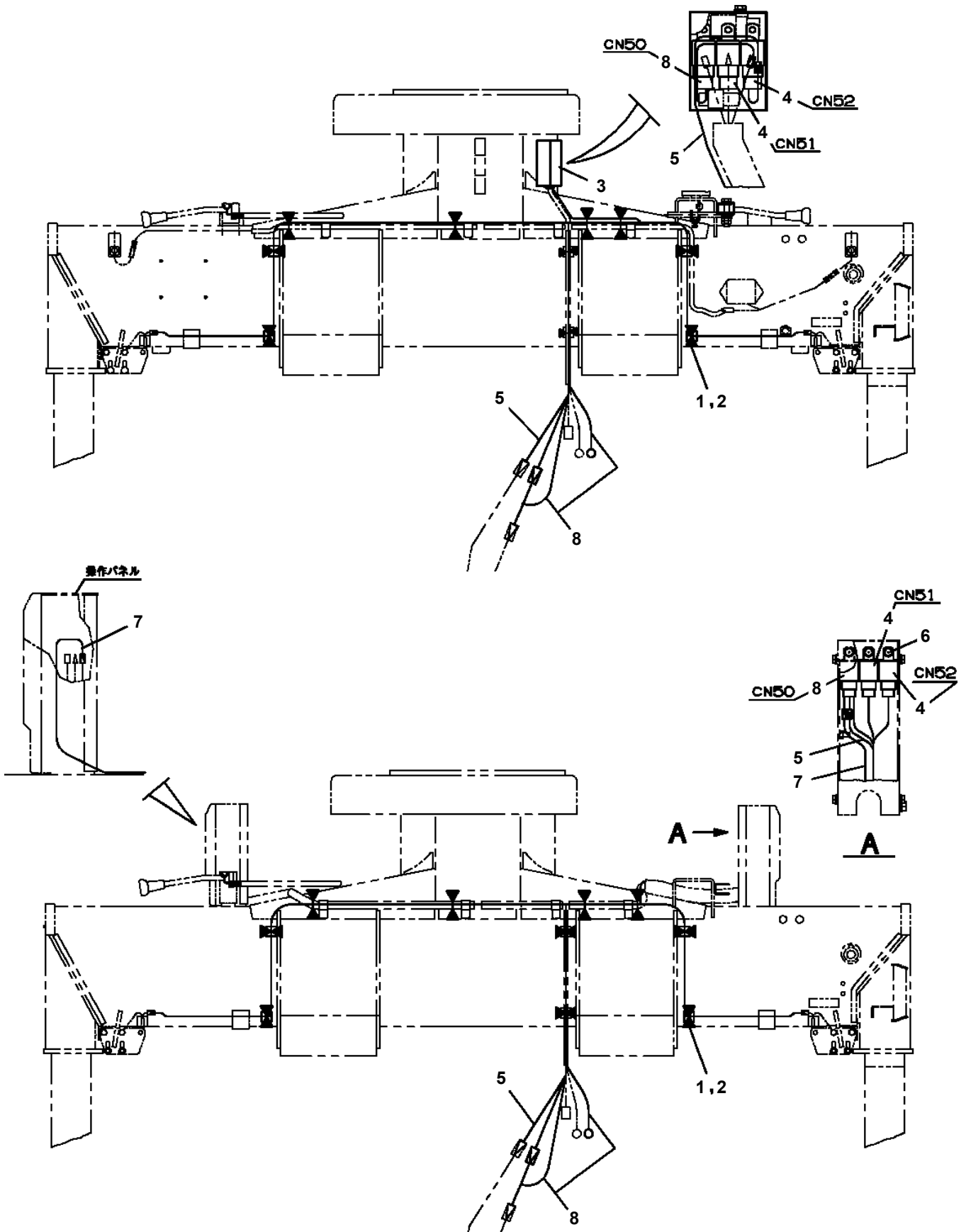
**TM-ZF500 31093010330A FRAME/STD,REMOTE-RADIO CONT.,HOOK-IN
PC1230025-00 PIPING,REAR JACK (2,NOT ROTARY)**



TM-ZF500 31093010330A FRAME/STD,REMOTE-RADIO CONT.,HOOK-IN
PD1200087-01 PIPING,SWING

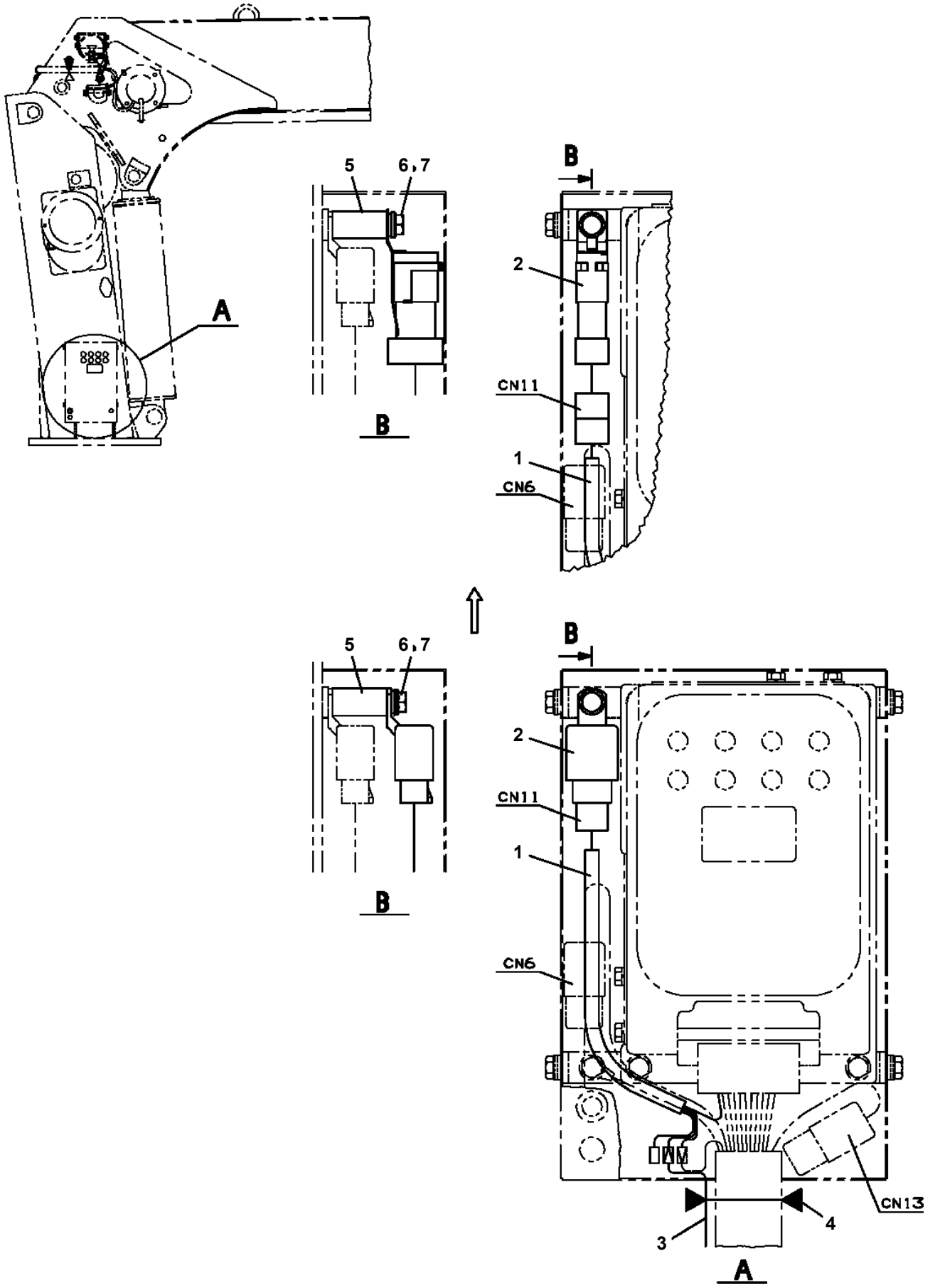


TM-ZF500 31093010330A FRAME/STD,REMOTE-RADIO CONT.,HOOK-IN
 PE5020097-00 ELEC.ASSY (CRANE/HARNESS)



操作パネルがある場合（フックイン、及びラジコン仕様）

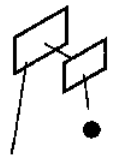
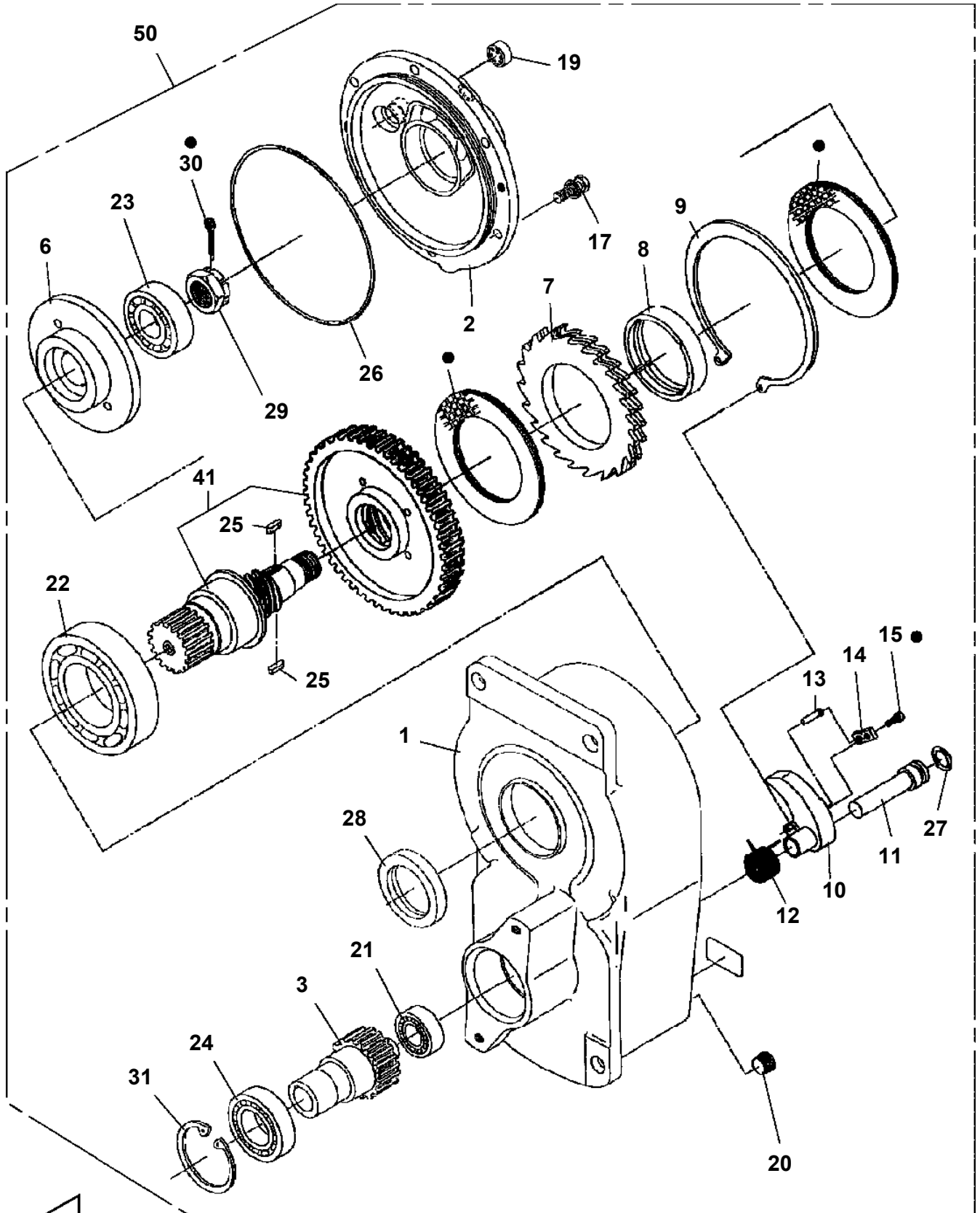
TM-ZF500 31093010330A FRAME/STD,REMOTE-RADIO CONT.,HOOK-IN
PE5020102-01 ELEC.ASSY



TM-ZF500 31093010330A FRAME/STD,REMOTE-RADIO CONT.,HOOK-IN

Pos No.	Parts No	Parts Name	Qty	Unit	Technical Data	Serial No (Start)	Serial No (End)	Remarks	Pa
1	36072280000	WINCH (DRUM FREE)	1						000
2	91001206000	O-RING	1		1A G60				
4	31310610500	BREATHER,AIR	1						

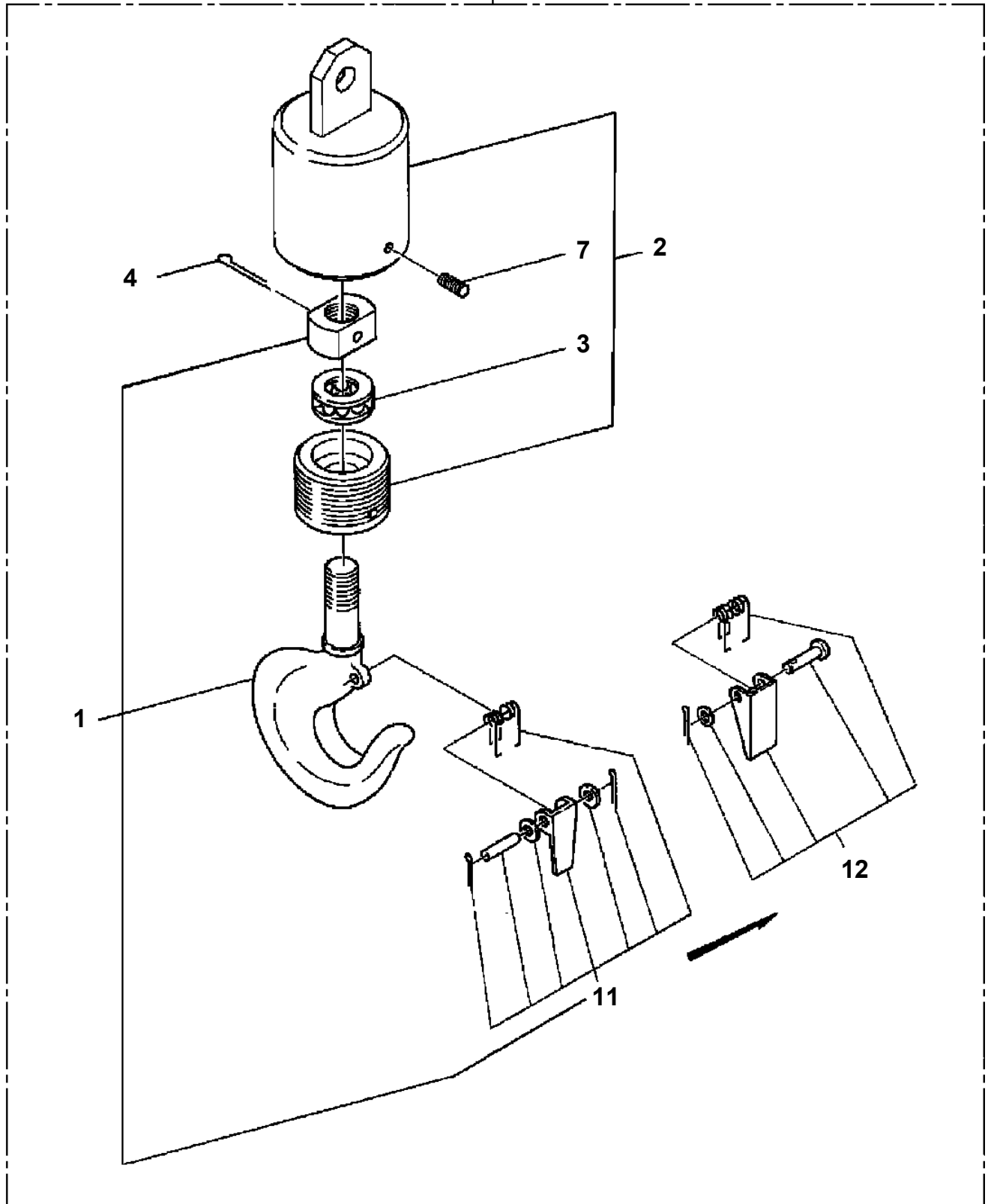
**TM-ZF500 31093010330A FRAME/STD,REMOTE-RADIO CONT.,HOOK-IN
PF1010237-01 WINCH (OOKUBO)**



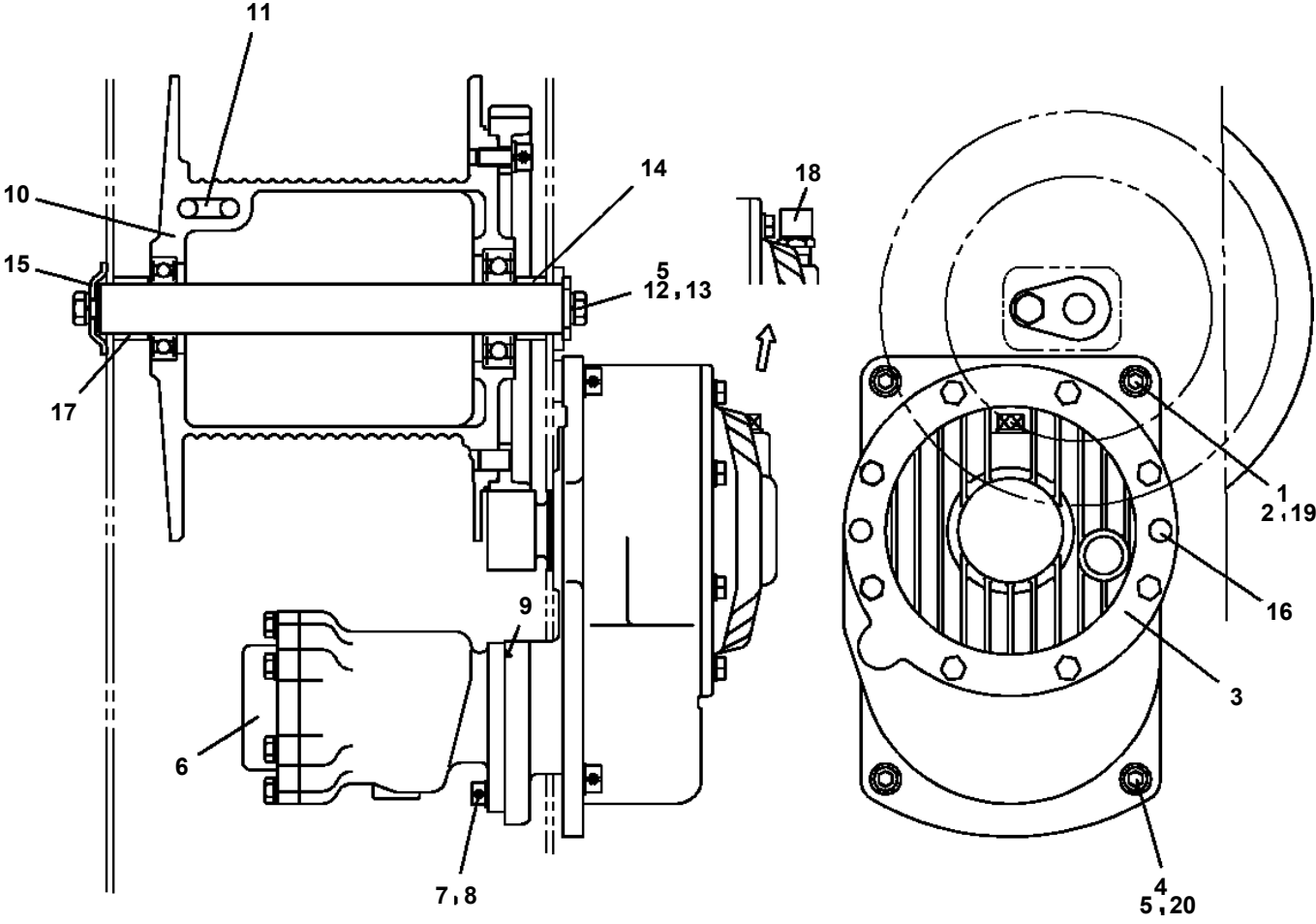
- Protective seal
- Replacement interval name plate
- : FACING KIT KEY NO.101 (JAPANESE)
- : FACING KIT KEY NO.102 (ENGLISH)

TM-ZF500 31093010330A FRAME/STD,REMOTE-RADIO CONT.,HOOK-IN
PF1050161-03 HOOK (1-PART LINE ,OPTION)

20

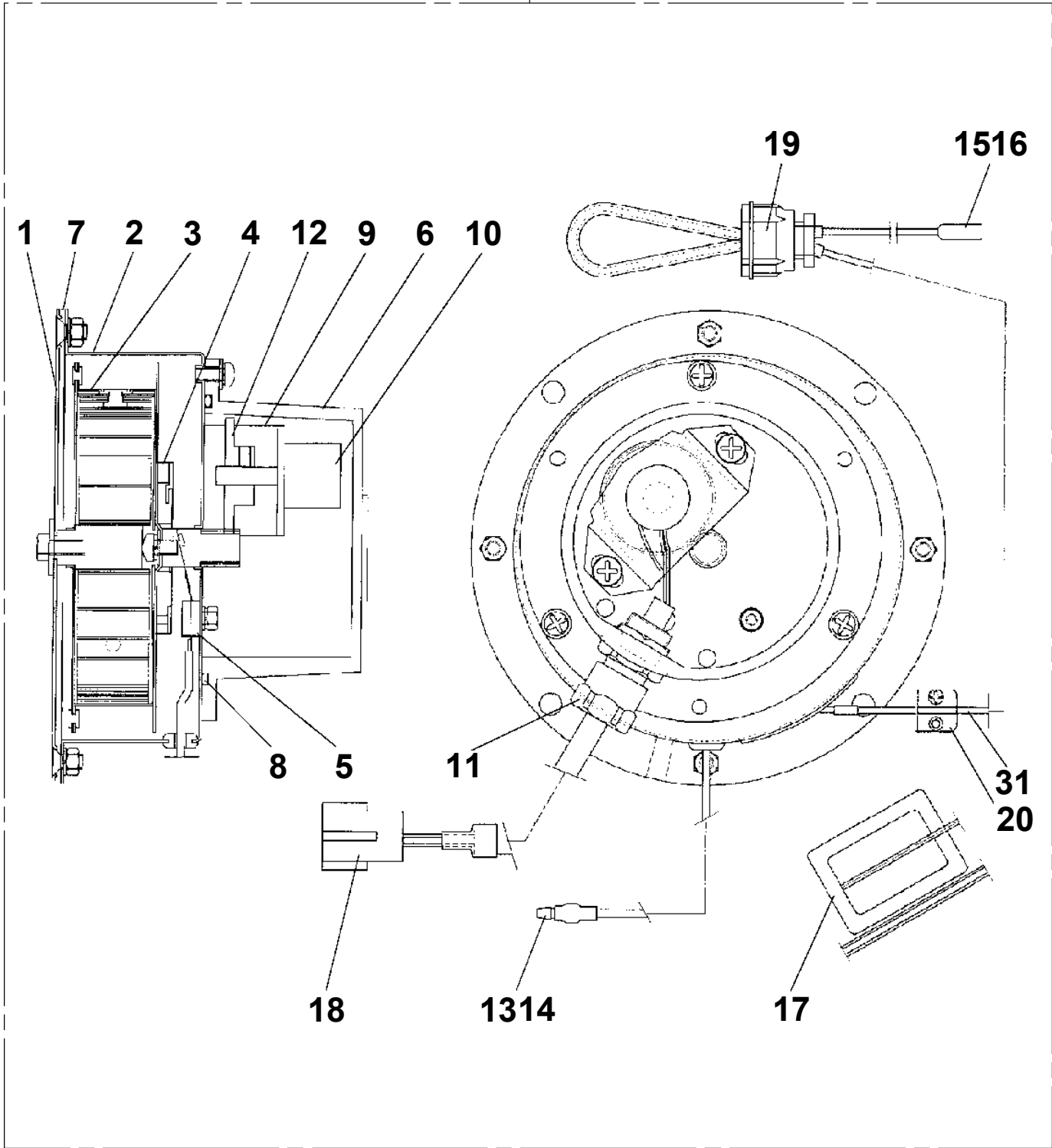


TM-ZF500 31093010330A FRAME/STD,REMOTE-RADIO CONT.,HOOK-IN
PF1400214-04 MOUNT,WINCH

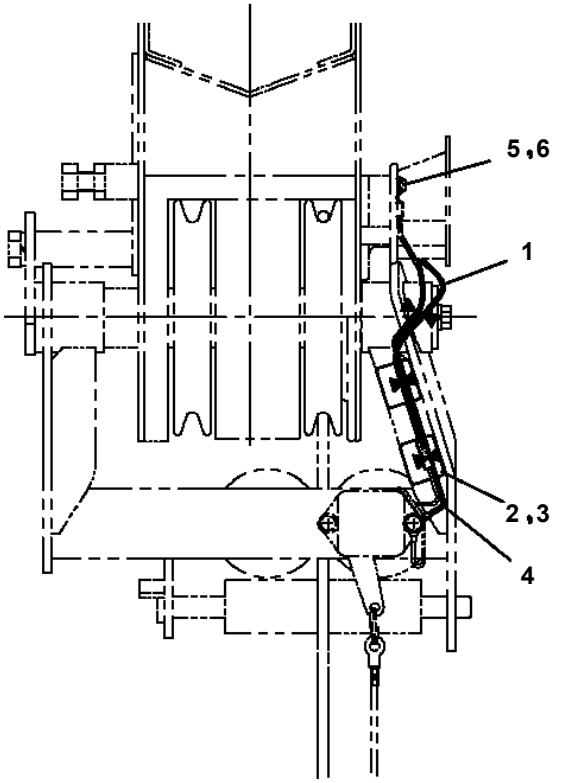
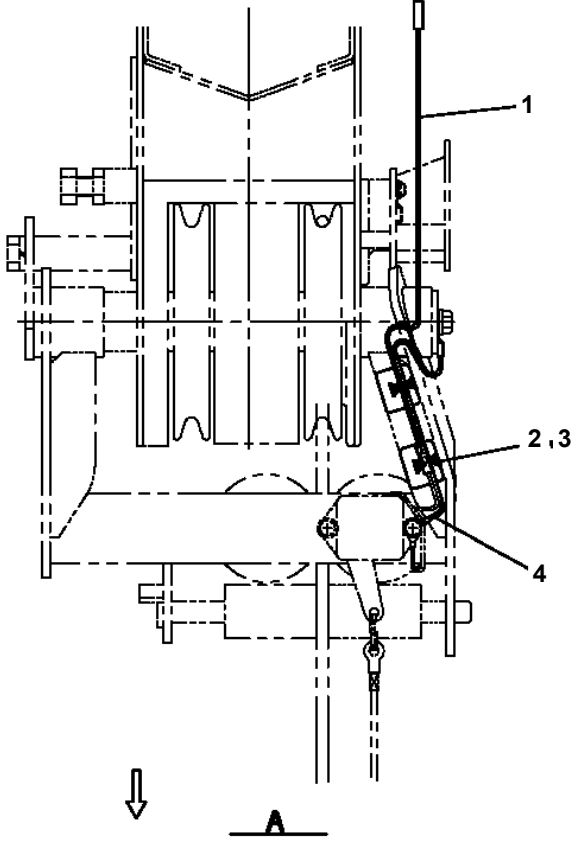
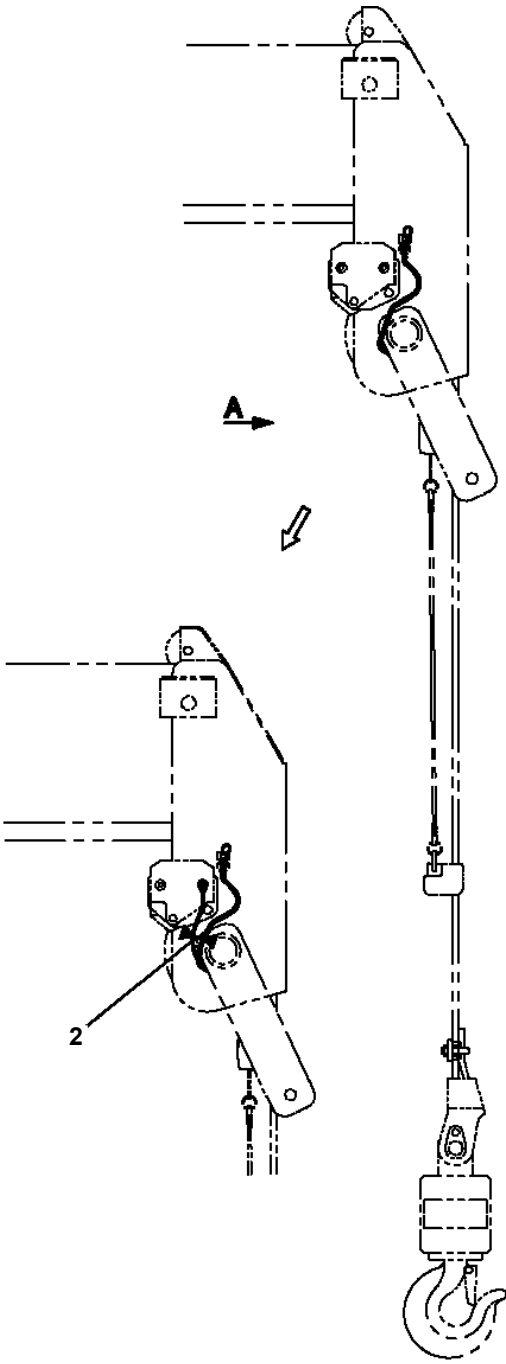


TM-ZF500 31093010330A FRAME/STD,REMOTE-RADIO CONT.,HOOK-IN
PG1130135-00 DETECTOR,BOOM LENGTH

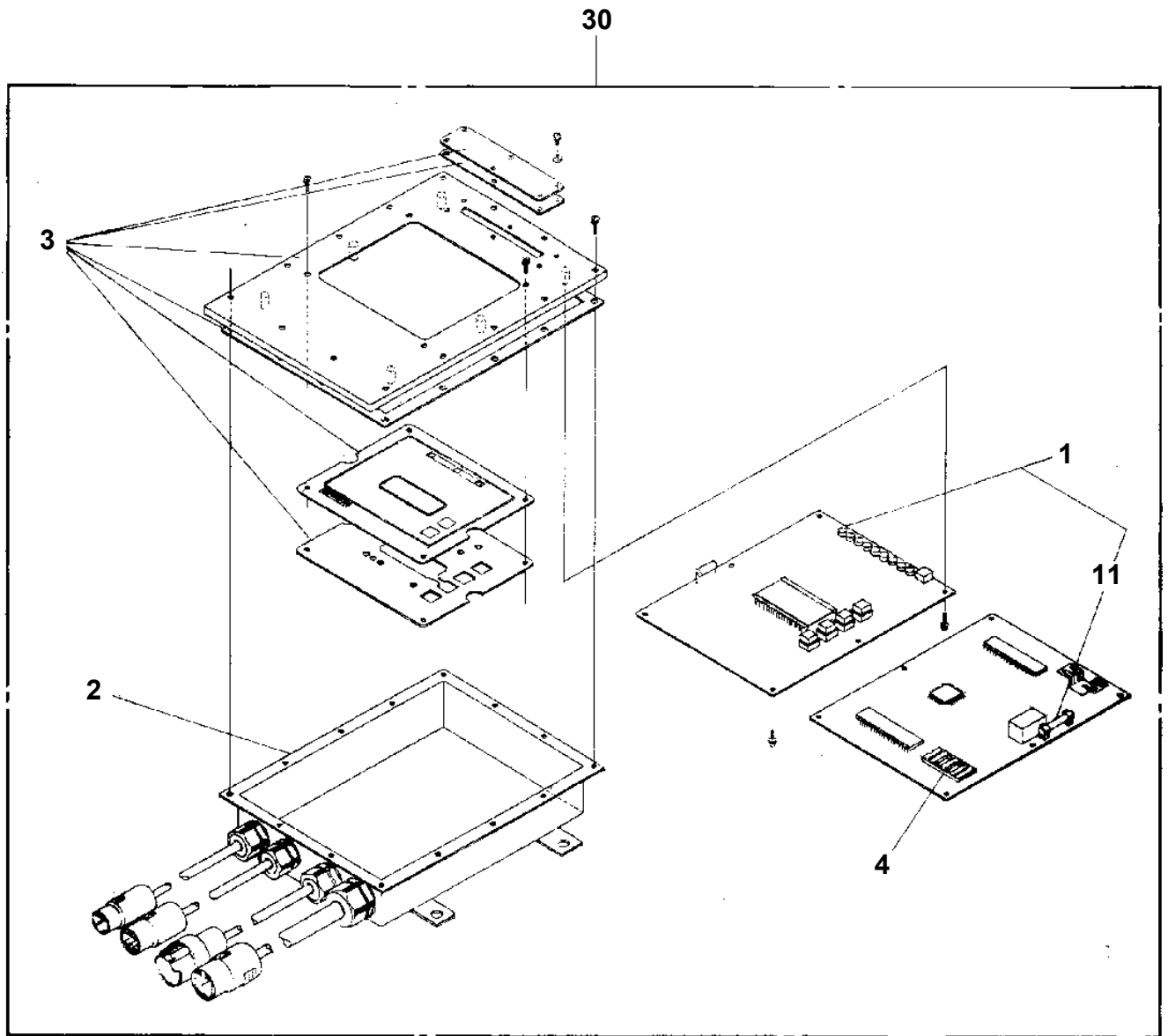
100



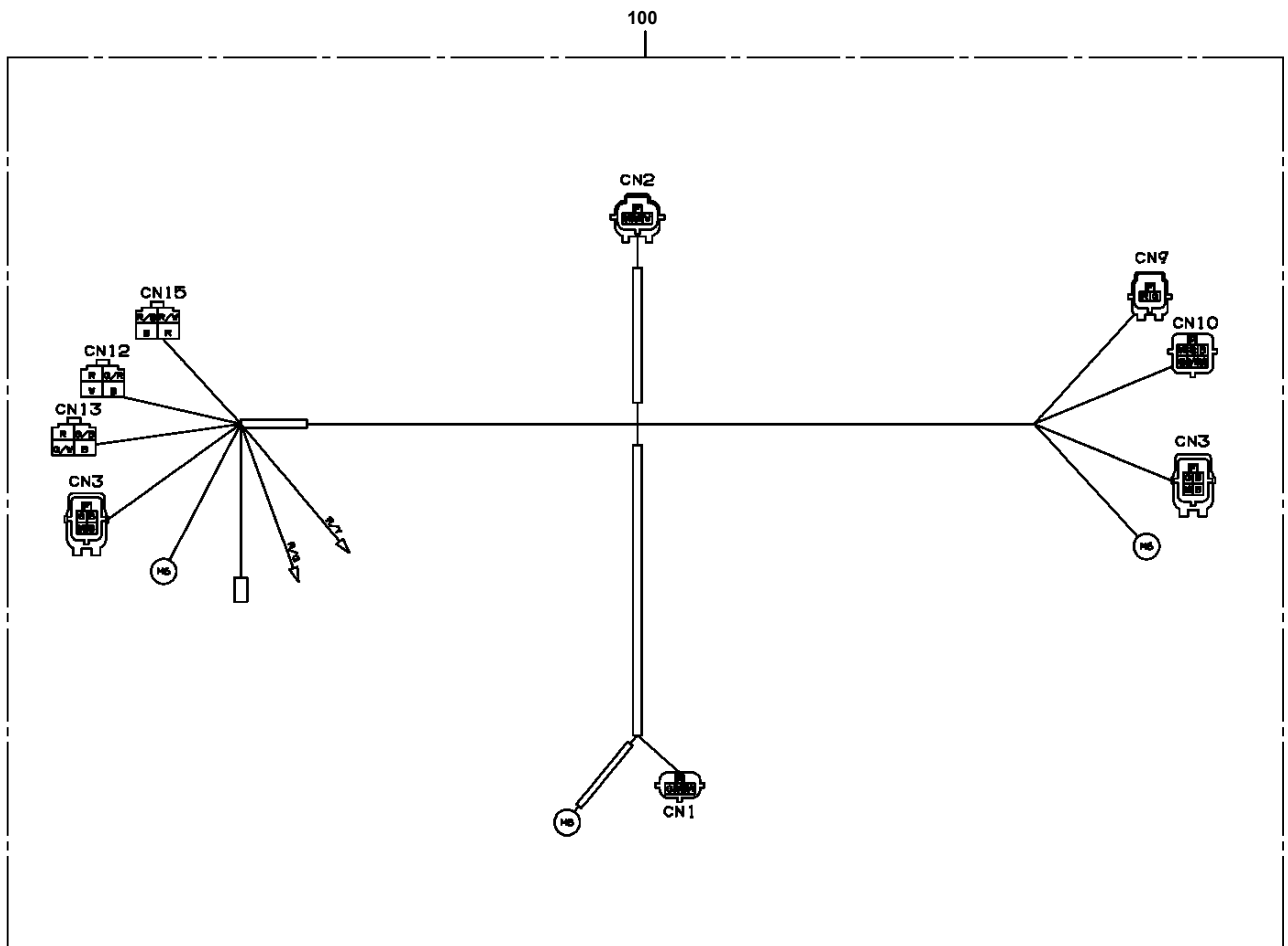
**TM-ZF500 31093010330A FRAME/STD,REMOTE-RADIO CONT.,HOOK-IN
PH1060266-01 DETECTOR,OVER WINDING (OPTION)**



TM-ZF500 31093010330A FRAME/STD,REMOTE-RADIO CONT.,HOOK-IN
PH1350007-00 WORKING AREA LIMITER (AWL-N)



TM-ZF500 31093010330A FRAME/STD,REMOTE-RADIO CONT.,HOOK-IN
PH5034323-00 HARNESS



TM-ZF500 31093010330A FRAME/STD,REMOTE-RADIO CONT.,HOOK-IN

Pos No.	Parts No	Parts Name	Qty	Unit	Technical Data	Serial No (Start)	Serial No (End)	Rema
2	36660025130	BEARING,BALL	1					
4	91001206500	O-RING	1		1A G65			
5	36660025021	COVER (OIL SEAL)	1					
6	36660025140	SEAL,OIL	1					
7	80602110720	RING,RITAINING	1		R72			
14	36661925010	O-RING	1					
16	36661925021	CYLINDER ASSY (LOCK)	1					
19	14125151020	KEY	1					
35	91410001800	RING,BACKUP	1		P18			
36	91002801800	O-RING	1		1B P18			
37	91001102201	O-RING	1		1A P22A			
38	91001102200	O-RING	1		1A P22			
39	91001101800	O-RING	1		1A P18			
50	36662600000	MOTOR,HYDRAULIC (SWING)	1					

TM-ZF500 31093010330A FRAME/STD,REMOTE-RADIO CONT.,HOOK-IN

Pos No.	Parts No	Parts Name	Qty	Unit	Technical Data	Serial No (Start)	Serial No (End)	Remarks	Pa
2	91002801400	O-RING	2		1B P14				
6	91002800700	O-RING	1		1B P7				
50	36623930000	VALVE,PILOT CHECK	1						

TM-ZF500 31093010330A FRAME/STD,REMOTE-RADIO CONT.,HOOK-IN

Pos No.	Parts No	Parts Name	Qty	Unit	Technical Data	Serial No (Start)	Serial No (End)
1	36682500000	METER,LOAD (3.0TON KUSABA/ENGLISH)	1				

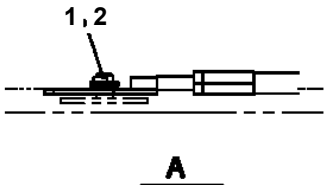
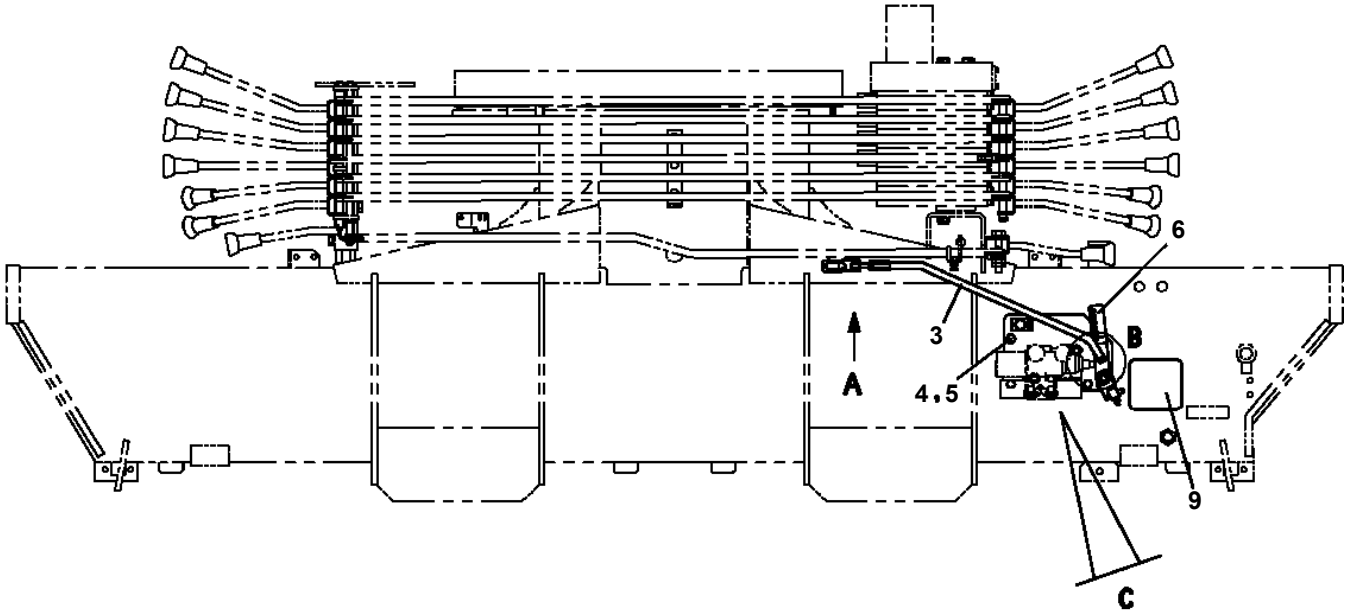
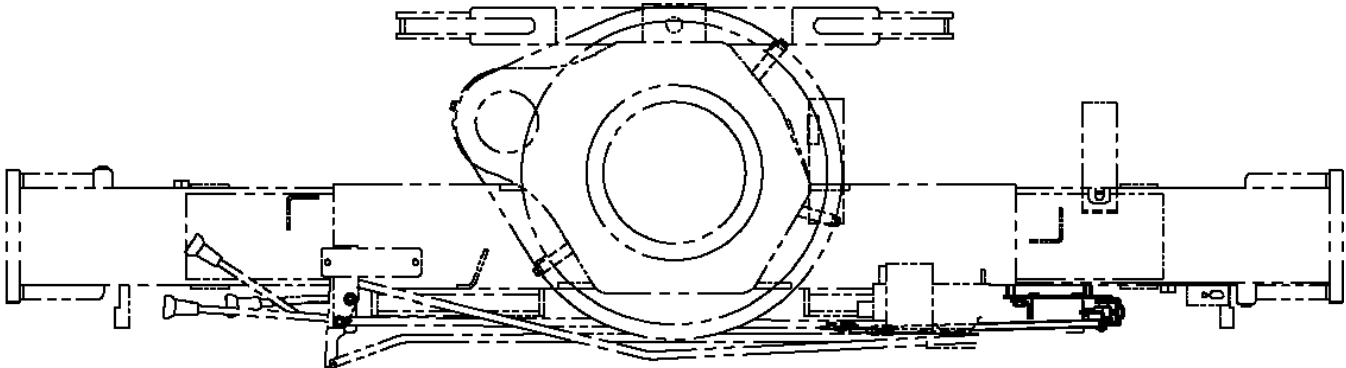
TM-ZF500 31093010330A FRAME/STD,REMOTE-RADIO CONT.,HOOK-IN

Pos No.	Parts No	Parts Name	Qty	Unit	Technical Data	Serial No (Start)	S
1	36682420000	METER,LOAD (2.9TON KUSABA/ENG.& JAPANESE)	1				

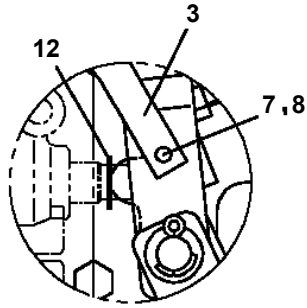
TM-ZF500 31093010330A FRAME/STD,REMOTE-RADIO CONT.,HOOK-IN

Pos No.	Parts No	Parts Name	Qty	Unit	Technical Data	Serial No (Start)	Serial No (End)	Remarks	Pages
1	37000105610	PIN	2		L=18				
2	80620210050	PIN,SNAP	2						
3	31322224200	PLATE	1		L=1				
4	37000110180	PIN ASSY	1						
5	80136340020	PIN,SPLIT	1		4X20				
6	31322160101	LEVER	1						
7	31322050510	KNOB (BLACK)	2						
8	31322160201	LEVER	1						
21	80136340020	PIN,SPLIT	1		4X20				
22	37000110190	PIN	1						

TM-ZF500 31093010330A FRAME/STD,REMOTE-RADIO CONT.,HOOK-IN
PL1030487-02 OPE.ASSY,ACCELERATOR (REMO,RADI)

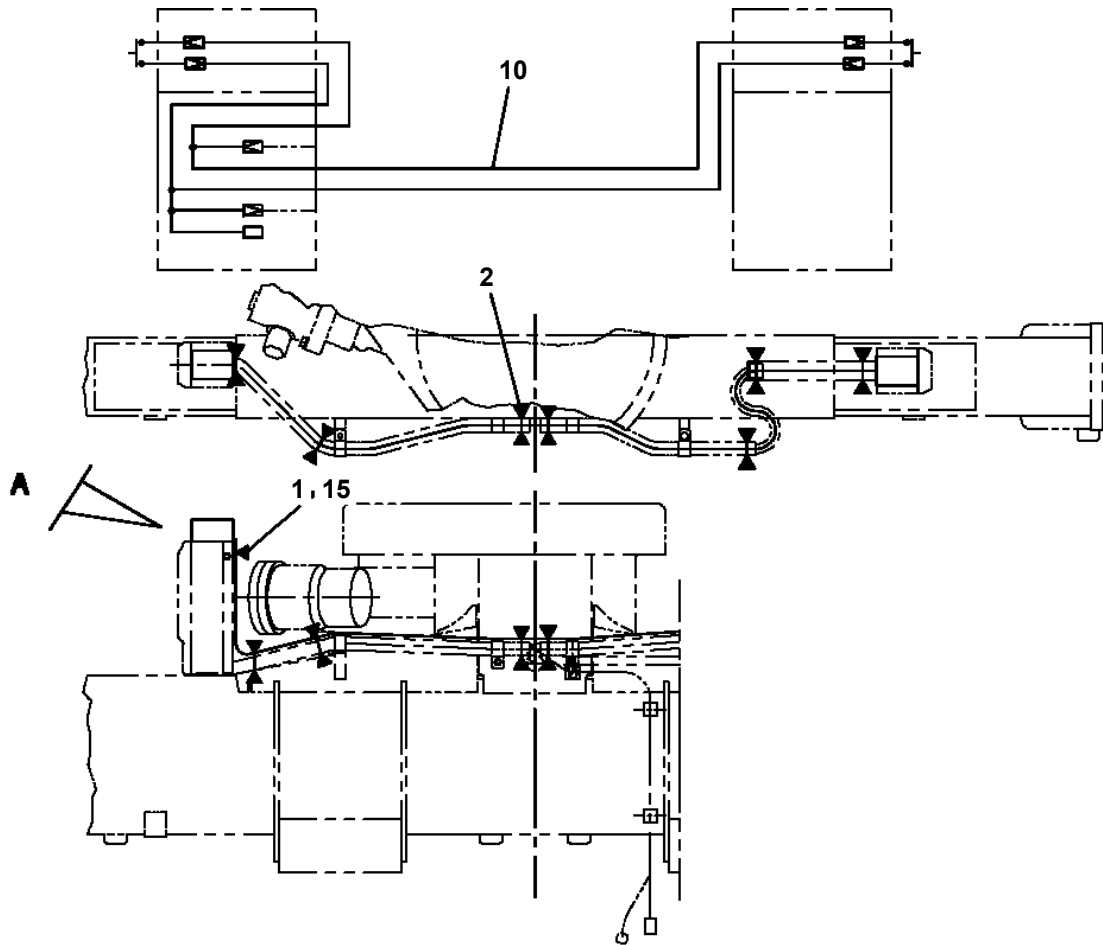


A



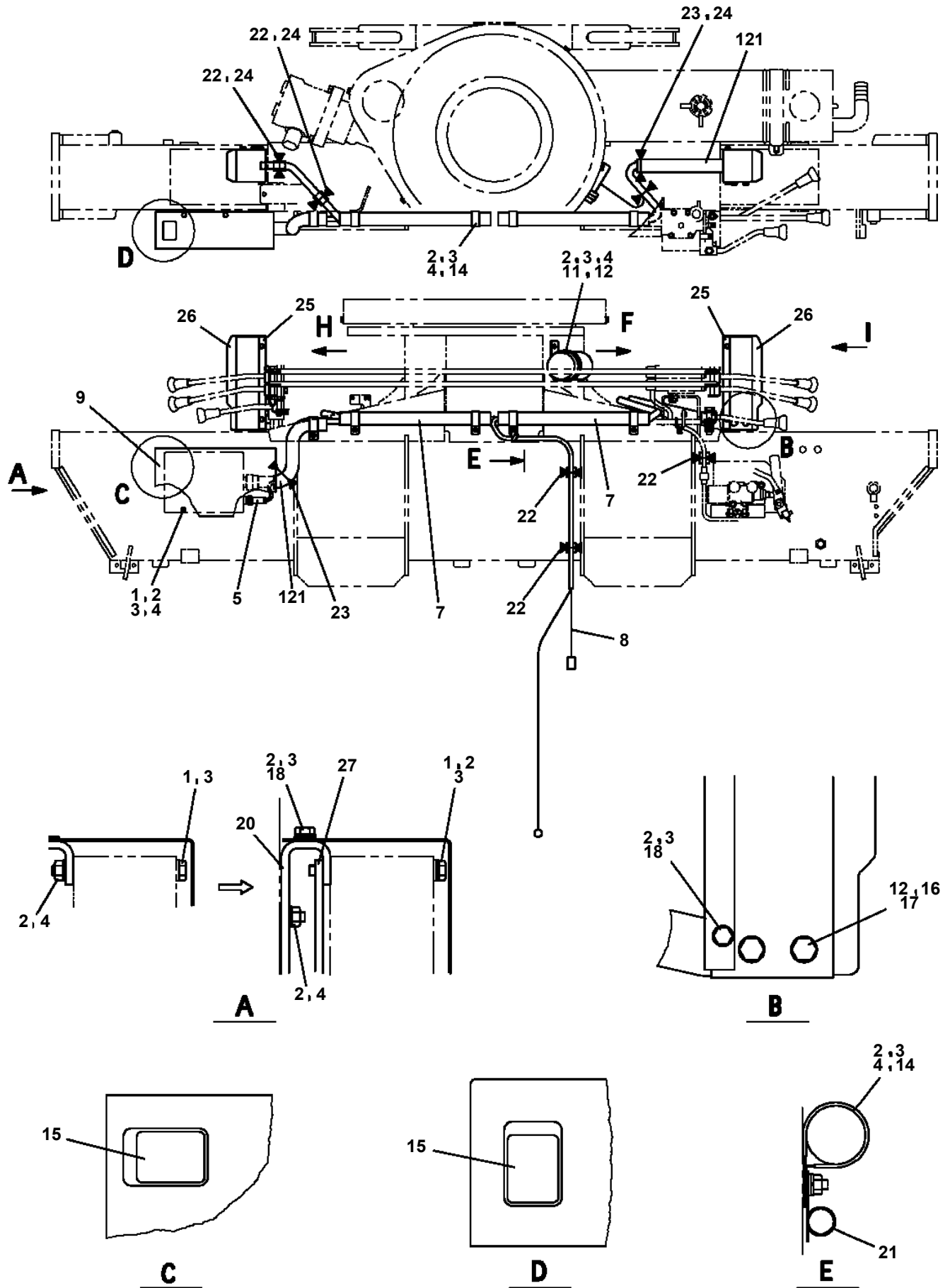
B

TM-ZF500 31093010330A FRAME/STD,REMOTE-RADIO CONT.,HOOK-IN
PN1011425-01 ELEC.ASSY (DRUM FREE,OP.)

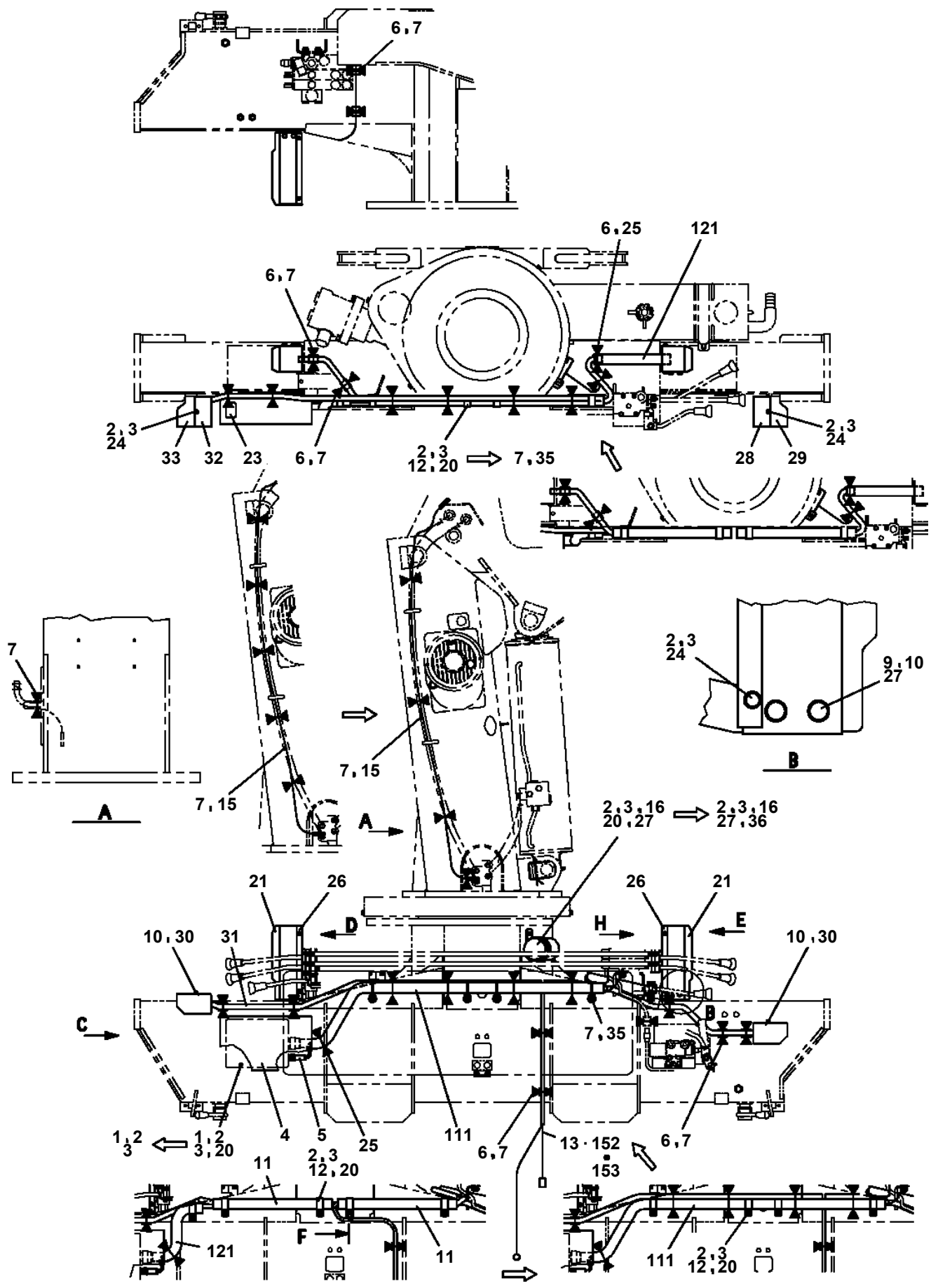


操作パネルがある場合 (ラジコン, リモコン仕様)
WITH CONTROL PANEL (RADIO CONTROL, REMOTE CONTROL)

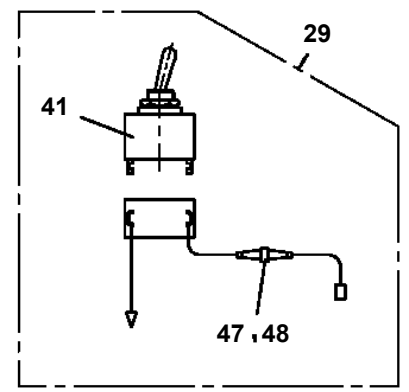
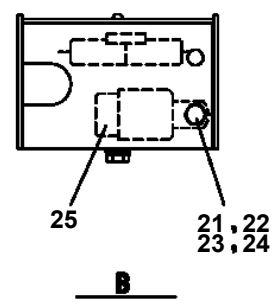
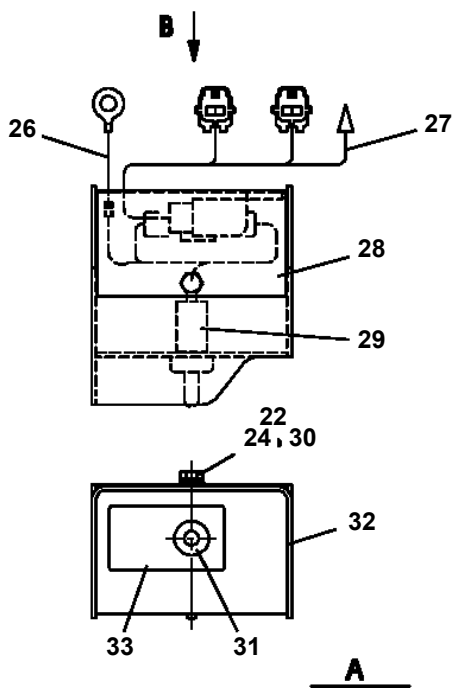
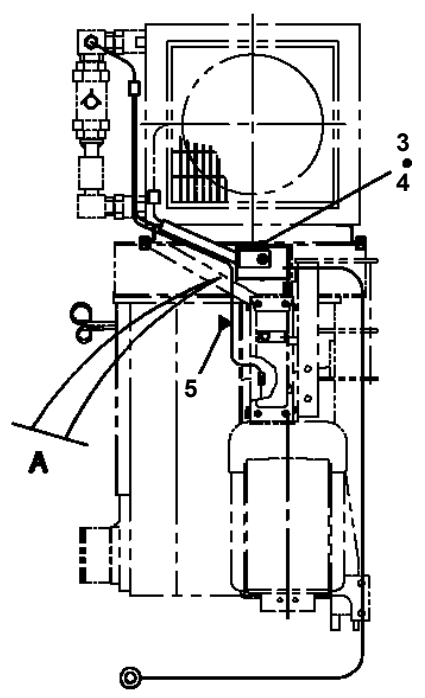
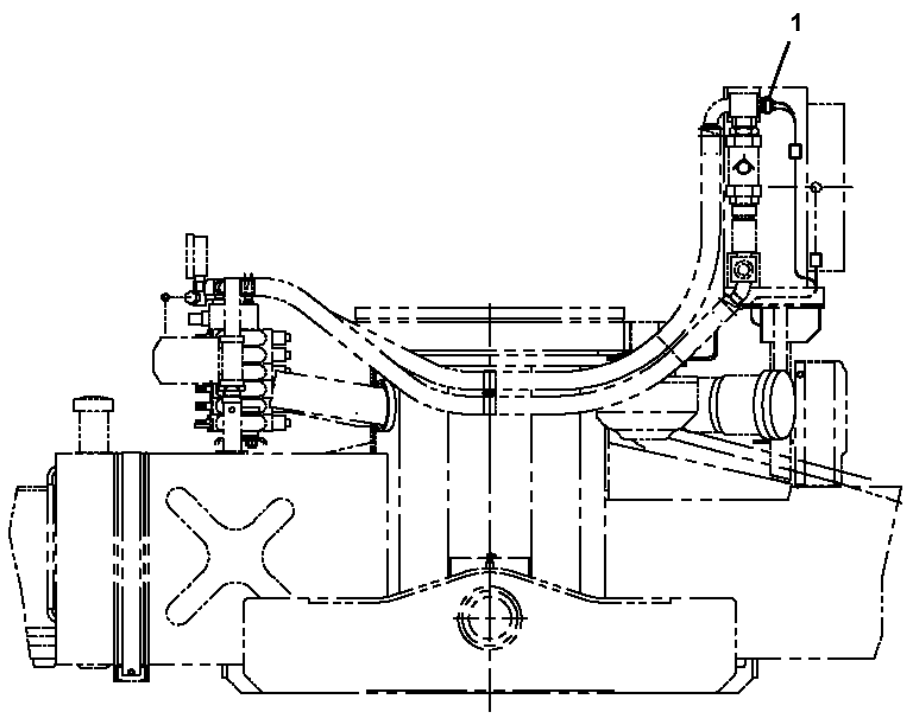
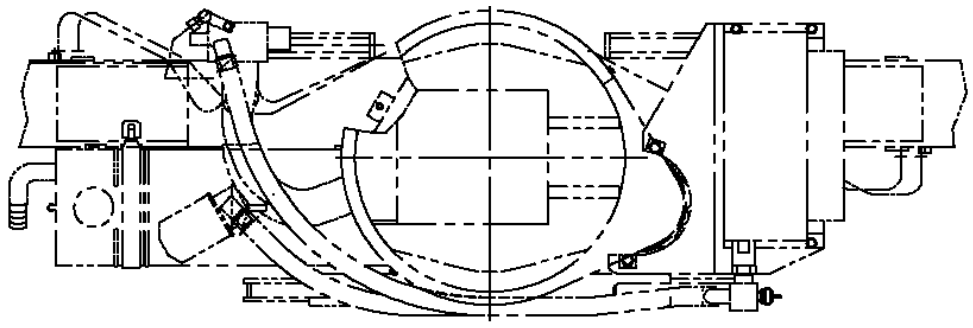
**TM-ZF500 31093010330A FRAME/STD,REMOTE-RADIO CONT.,HOOK-IN
PN1011758-03 ELEC.ASSY (RADICON. C-TYPE)**



**TM-ZF500 31093010330A FRAME/STD,REMOTE-RADIO CONT.,HOOK-IN
PN1011823-03 ELEC.ASSY (RADIO CONTROL)**



**TM-ZF500 31093010330A FRAME/STD,REMOTE-RADIO CONT.,HOOK-IN
PN1011895-00 ELEC.ASSY (OIL COOLER/OPT.)**



CLICK HERE TO **DOWNLOAD** THE COMPLETE MANUAL

- Thank you very much for reading the preview of the manual.
- You can download the complete manual from: www.heydownloads.com by clicking the link below



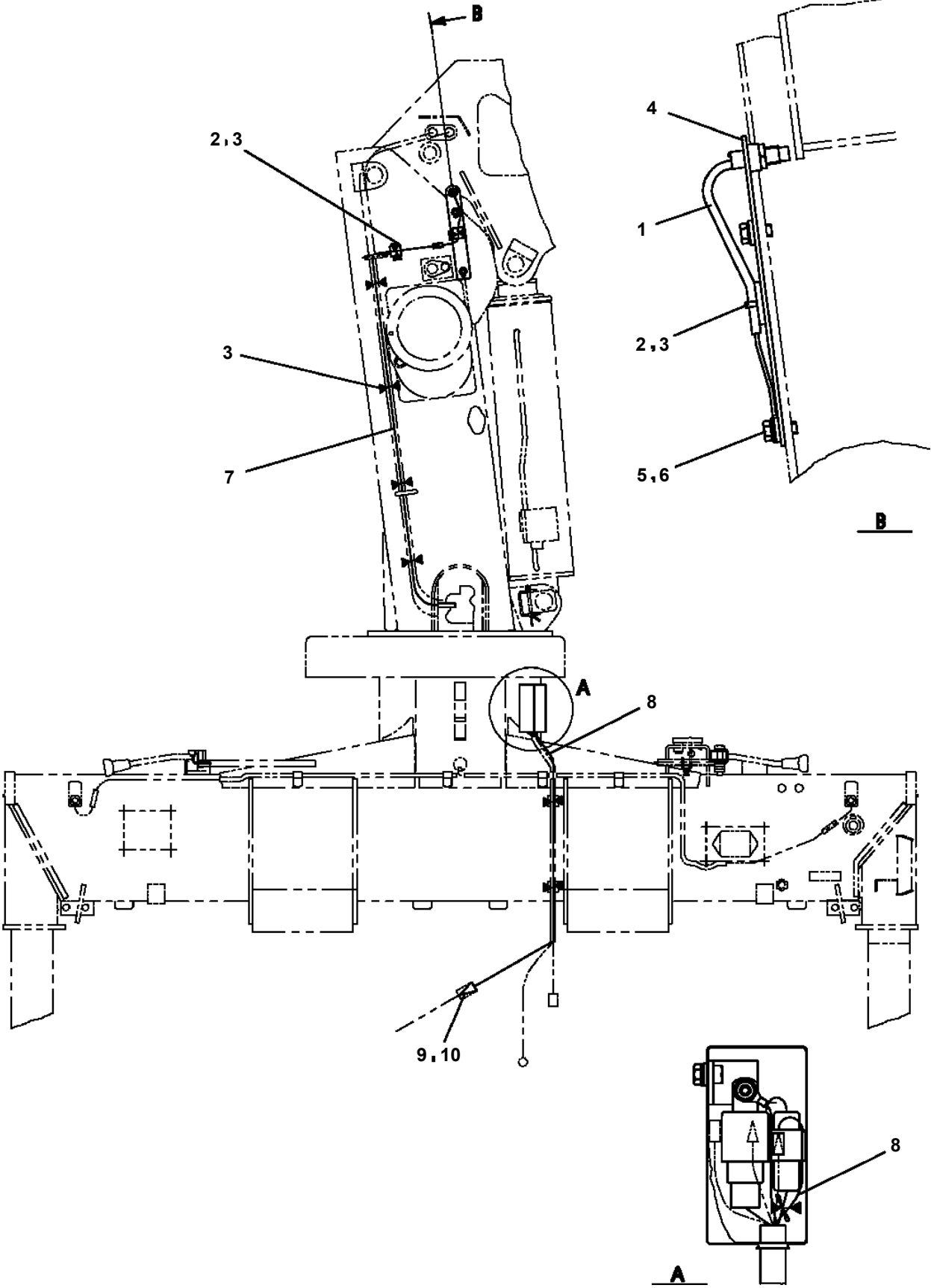
- Please note: If there is no response to CLICKING the link, please download this PDF first and then click on it.

CLICK HERE TO **DOWNLOAD** THE COMPLETE MANUAL

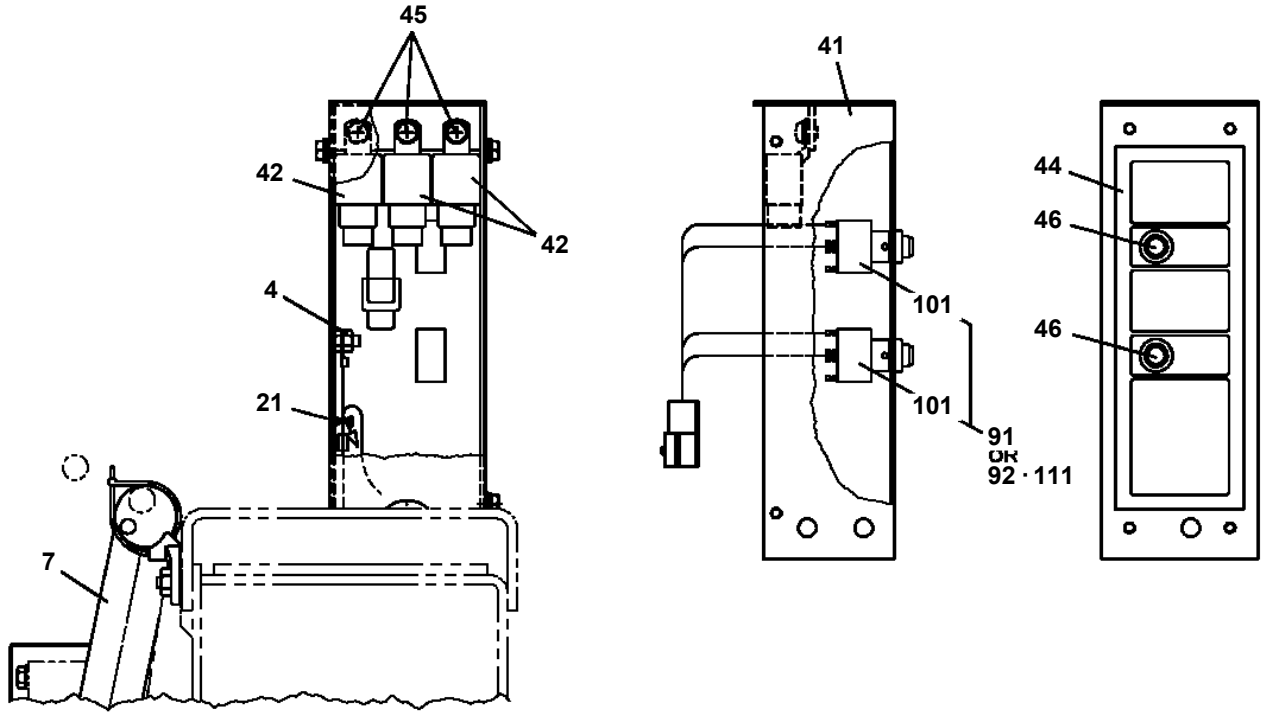
TM-ZF500 31093010330A FRAME/STD,REMOTE-RADIO CONT.,HOOK-IN

Pos No.	Parts No	Parts Name	Qty	Unit	Technical Data	Serial No (Start)	Serial No (End)	Remarks	Pages
1	31653110100	SUPPORT	1						
2	90101210014	BOLT	2		M10X14				
3	90302041001	WASHER,SPRING	2		10				
4	90101206075	BOLT	4		M6X75				
5	90302040601	WASHER,SPRING	4		6				
6	90303070601	WASHER,PLAIN	8		6				
7	90201200600	NUT	4		M6				
8	91850310305	CLAMP	4						
9	91810130240	FASTENER	8						
10	82401600510	CLAMP	1		10				
11	31653110200	CABLE ASSY	1		L=2000				
21	82100002385	CONNECTOR	2						

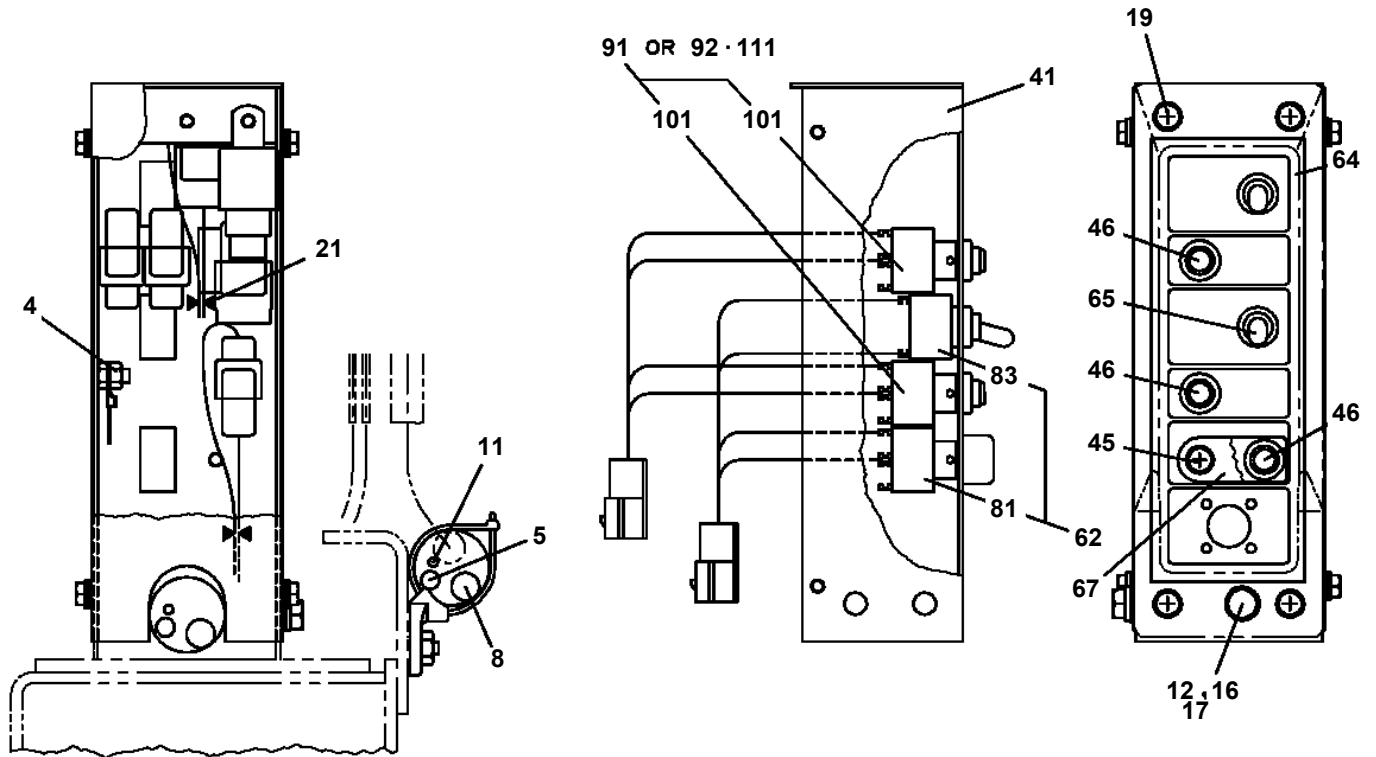
TM-ZF500 31093010330A FRAME/STD,REMOTE-RADIO CONT.,HOOK-IN
PN1012772-01 ELEC.ASSY (ALARM,UPPER)



**TM-ZF500 31093010330A FRAME/STD,REMOTE-RADIO CONT.,HOOK-IN
PN1013446-00 ELEC.ASSY**

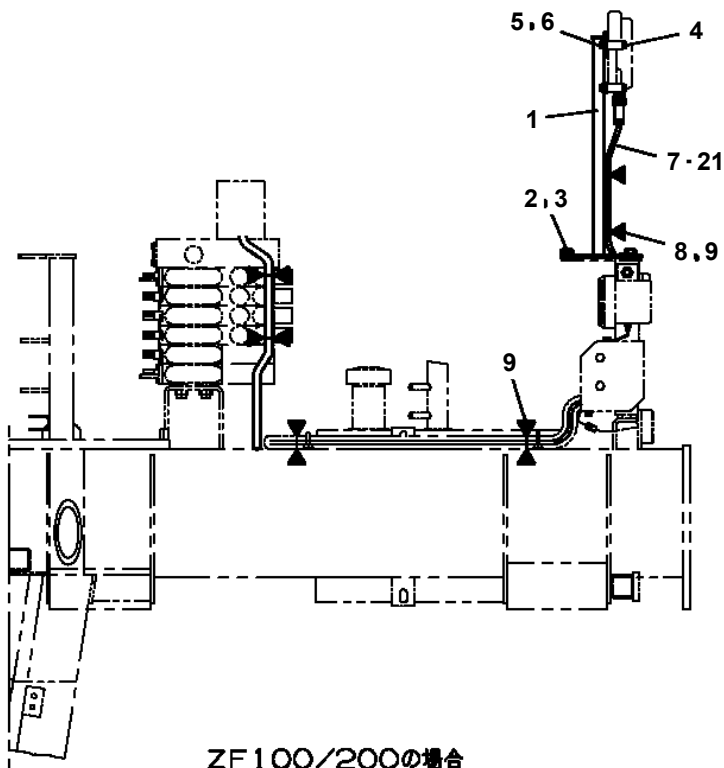
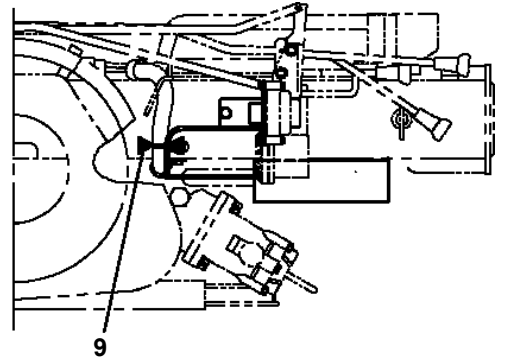
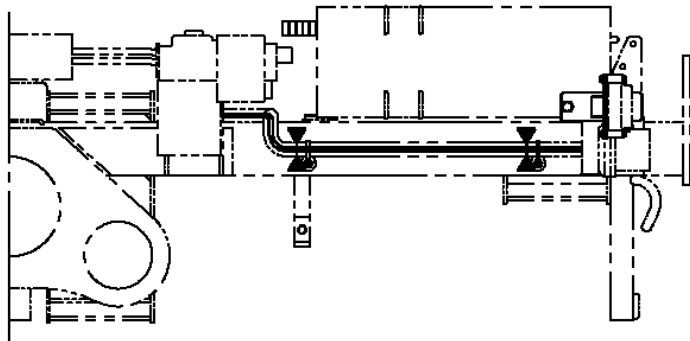


D

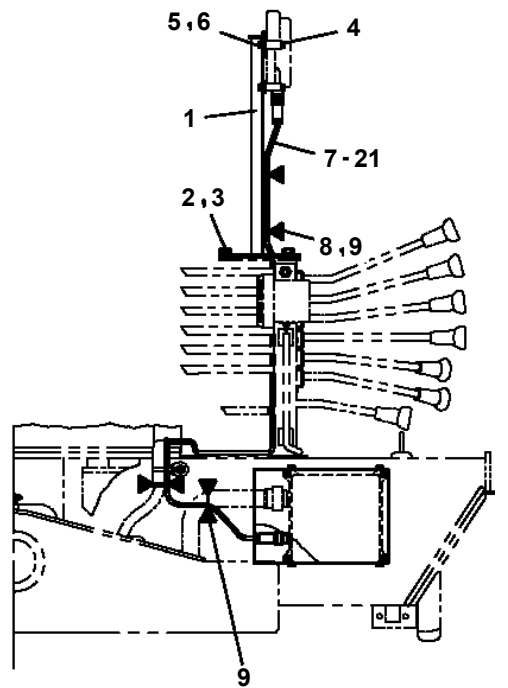


E

TM-ZF500 31093010330A FRAME/STD,REMOTE-RADIO CONT.,HOOK-IN
PN1014043-01 ELEC.ASSY (ANTENNA)

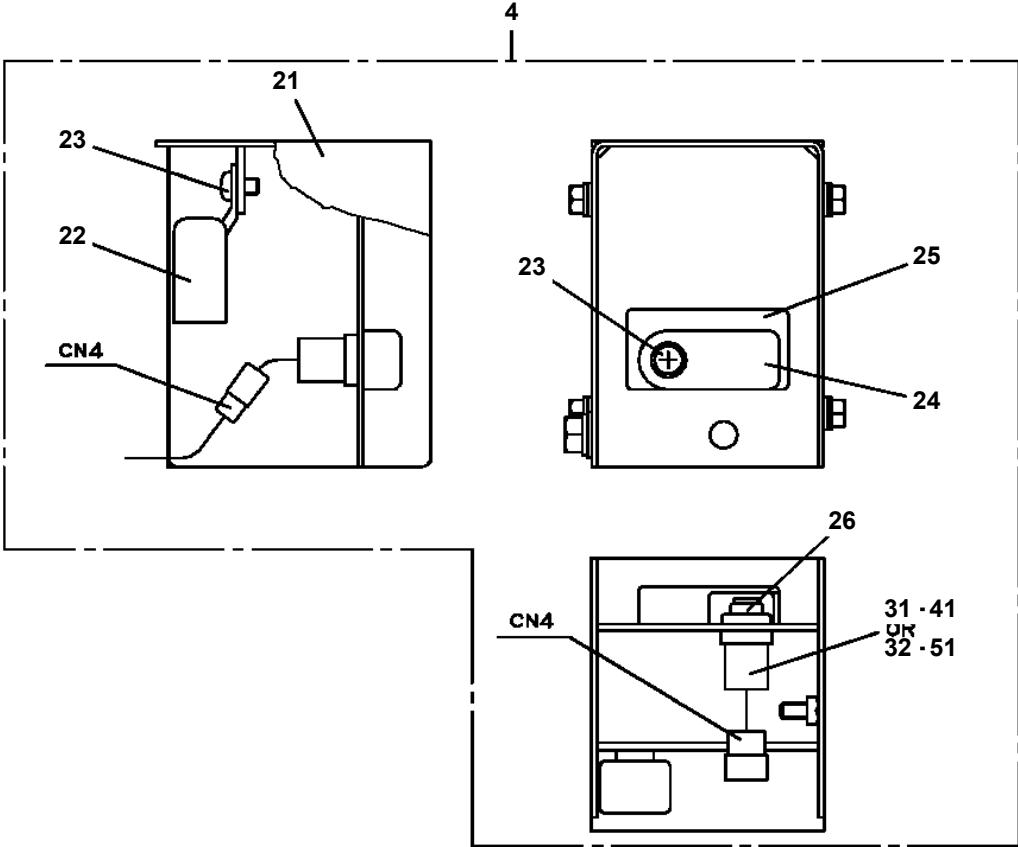
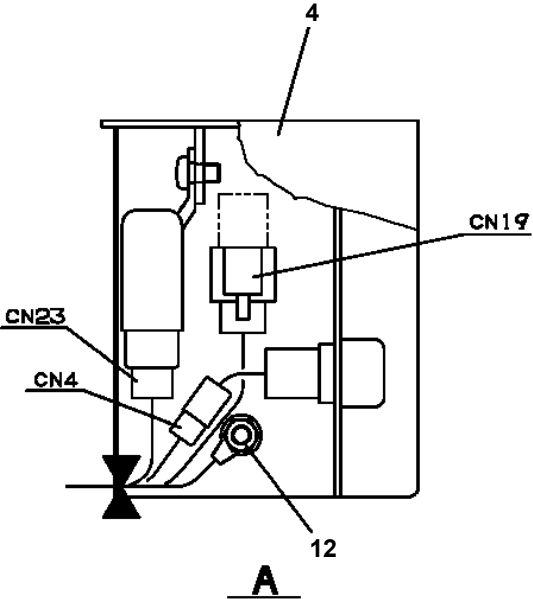


ZF100/200の場合



ZF230/230Wの場合

TM-ZF500 31093010330A FRAME/STD,REMOTE-RADIO CONT.,HOOK-IN
PN1014286-00 ELEC.ASSY



**TM-ZF500 31093010330A FRAME/STD,REMOTE-RADIO CONT.,HOOK-IN
PN1080214-00 LAMP (MOUNT,POST/24V-60W)**

1	ハイセンASSY ELEC.ASSY (LOWER)
2	ハイセンASSY ELEC.ASSY (UPPER)

TM-ZF500 31093010330A FRAME/STD,REMOTE-RADIO CONT.,HOOK-IN

Pos No.	Parts No	Parts Name	Qty	Unit	Technical Data	Serial No (Start)	Serial No (End)	Remarks	Pages
1	37002230910	PLATE,NAME	2						

TM-ZF500 31093010330A FRAME/STD,REMOTE-RADIO CONT.,HOOK-IN

Pos No.	Parts No	Parts Name	Qty	Unit	Technical Data	Serial No (Start)	Serial No (End)	Remarks	Pages
1	37002213360	PLATE,NAME	1						
2	37002213370	PLATE,NAME	1						

TM-ZF500 31093010330A FRAME/STD,REMOTE-RADIO CONT.,HOOK-IN

Pos No.	Parts No	Parts Name	Qty	Unit	Technical Data	Serial No (Start)	Serial No (End)	Remarks	Pa
1	31360206010	PLATE,CAUTION	1						
2	31360206020	PLATE,CAUTION	1						
3	31360206030	PLATE,NAME (TON/%)	2						
4	37002201980	PLATE,NAME	1						

TM-ZF500 31093010330A FRAME/STD,REMOTE-RADIO CONT.,HOOK-IN

Pos No.	Parts No	Parts Name	Qty	Unit	Technical Data	Serial No (Start)	Serial No (End)	Remarks	Pa
1	31360206010	PLATE,CAUTION	1						
2	31360546020	PLATE,CAUTION	1						
3	31360206030	PLATE,NAME (TON/%)	2						
4	37002201980	PLATE,NAME	1						

TM-ZF500 31093010330A FRAME/STD,REMOTE-RADIO CONT.,HOOK-IN

Pos No.	Parts No	Parts Name	Qty	Unit	Technical Data	Serial No (Start)	Serial No (End)	Remarks
1	31361841100	PLATE,CAUTION (FOR AWL)	1					
2	31361841200	PLATE,CAUTION (FOR BML)	1					

TM-ZF500 31093010330A FRAME/STD,REMOTE-RADIO CONT.,HOOK-IN

Pos No.	Parts No	Parts Name	Qty	Unit	Technical Data	Serial No (Start)	Serial No (End)
1	31395345100	PLATE,NAME (LOAD INDICATOR 6TON)	1				
2	31395345200	PLATE,NAME (LOAD INDICATOR 6TON)	1				
3	31395345300	PLATE,NAME (TM-ZF503 TOTAL RATED LOADS)	2				
4	31392140130	INDICATOR	2				
5	90190000060	BOLT	2		M10X16		

TM-ZF500 31093010330A FRAME/STD,REMOTE-RADIO CONT.,HOOK-IN

Pos No.	Parts No	Parts Name	Qty	Unit	Technical Data	Serial No (Start)	Serial No (End)	Remarks	Pages
1	31395351100	PLATE,NAME	1						
2	31395351200	PLATE,NAME	1						
3	31395351301	PLATE,NAME	2						
4	31395351401	PLATE,NAME	1						
5	37002215700	PLATE,NAME	1						
6	31392140130	INDICATOR	2						
7	90190000060	BOLT	2		M10X16				

TM-ZF500 31093010330A FRAME/STD,REMOTE-RADIO CONT.,HOOK-IN

Pos No.	Parts No	Parts Name	Qty	Unit	Technical Data	Serial No (Start)	Serial No (End)	Remarks	Pages
1	31395353100	PLATE,NAME	1						
2	31395353200	PLATE,NAME	1						
3	31397051300	PLATE,NAME	2						
4	31397051400	PLATE,NAME	1						
5	37002215700	PLATE,NAME	1						
6	31392140130	INDICATOR	2						
7	90190000060	BOLT	2		M10X16				

TM-ZF500 31093010330A FRAME/STD,REMOTE-RADIO CONT.,HOOK-IN

Pos No.	Parts No	Parts Name	Qty	Unit	Technical Data	Serial No (Start)	Serial No (End)
1	31395364100	PLATE,NAME (LOAD INDICATOR 10TON)	1				
2	31395364200	PLATE,NAME (LOAD INDICATOR 10TON)	1				
3	31395364300	PLATE,NAME (TM-ZF505 TOTAL RATED LOADS)	2				
4	31392140130	INDICATOR	2				
5	90190000060	BOLT	2		M10X16		

TM-ZF500 31093010330A FRAME/STD,REMOTE-RADIO CONT.,HOOK-IN

Pos No.	Parts No	Parts Name	Qty	Unit	Technical Data	Serial No (Start)	Serial No (End)	Remarks	Pa
1	31395371100	PLATE,NAME	1						
2	31395371200	PLATE,NAME	1						
3	31395371301	PLATE,NAME	2						
4	31395371401	PLATE,NAME	1						
5	37002215720	PLATE,NAME (ZF506)	1						
6	31392140130	INDICATOR	2						
7	90190000060	BOLT	2		M10X16				

TM-ZF500 31093010330A FRAME/STD,REMOTE-RADIO CONT.,HOOK-IN

Pos No.	Parts No	Parts Name	Qty	Unit	Technical Data	Serial No (Start)	Serial No (End)
1	31397304100	PLATE,NAME (LOAD INDICATOR)	1				
2	31397304200	PLATE,NAME (LOAD INDICATOR)	1				
3	31397304300	PLATE,NAME (RATED CAPACITIES)	2				
4	31392140130	INDICATOR	2				
5	90190000060	BOLT	2		M10X16		

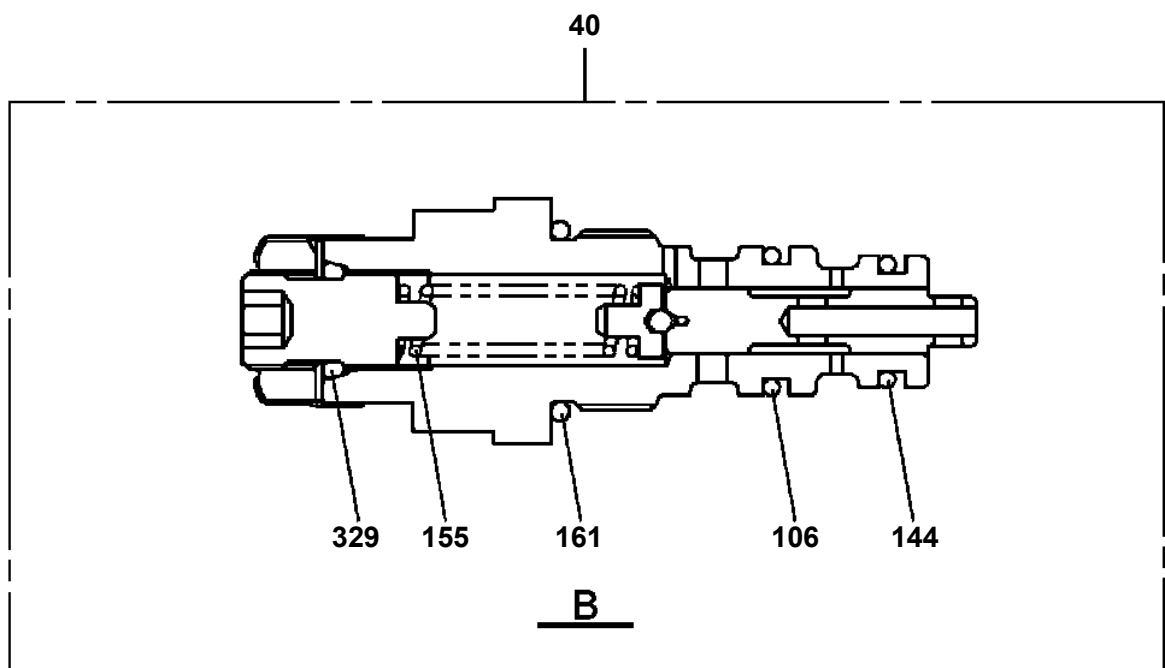
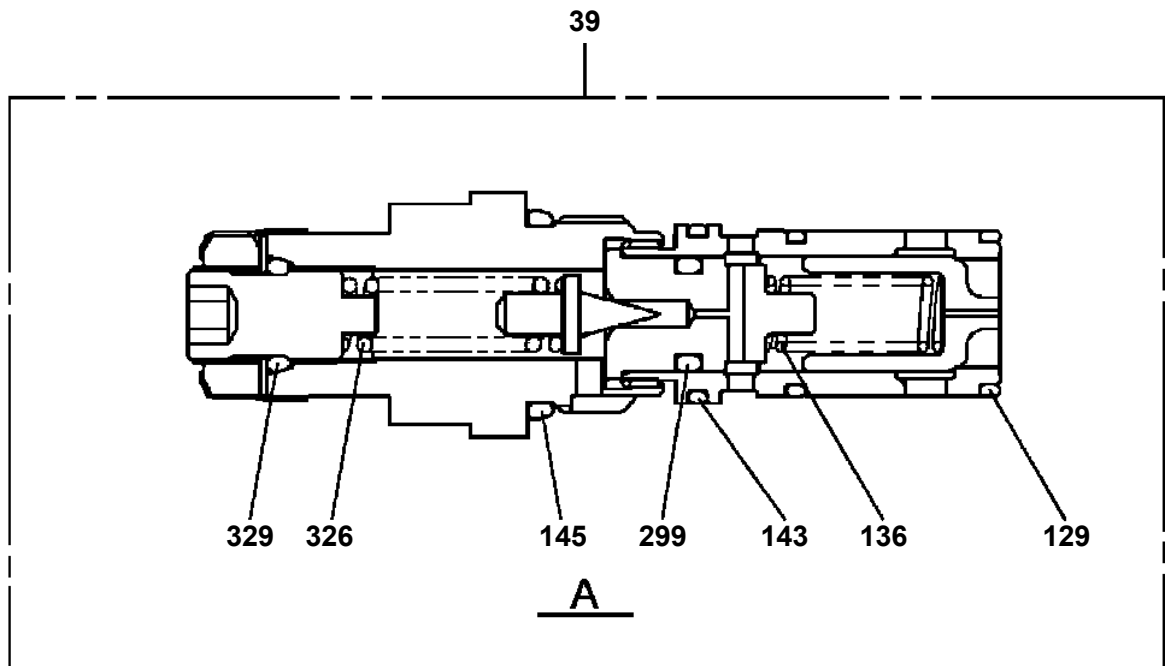
TM-ZF500 31093010330A FRAME/STD,REMOTE-RADIO CONT.,HOOK-IN

Pos No.	Parts No	Parts Name	Qty	Unit	Technical Data	Serial No (Start)	Serial No (End)
2	31631807510	CASE (RING)	1				
4	31631807520	SPACER	1				
11	31631807530	CLAMP (CABLE)	1				
15	31631807540	O-RING	1				
16	31631807550	PACKING	1				
101	31631807560	HOLDER ASSY,BRUSH (WITH BRUSH)	1				
900	31631803000	RING ASSY,SLIP	1				

TM-ZF500 31093010330A FRAME/STD,REMOTE-RADIO CONT.,HOOK-IN

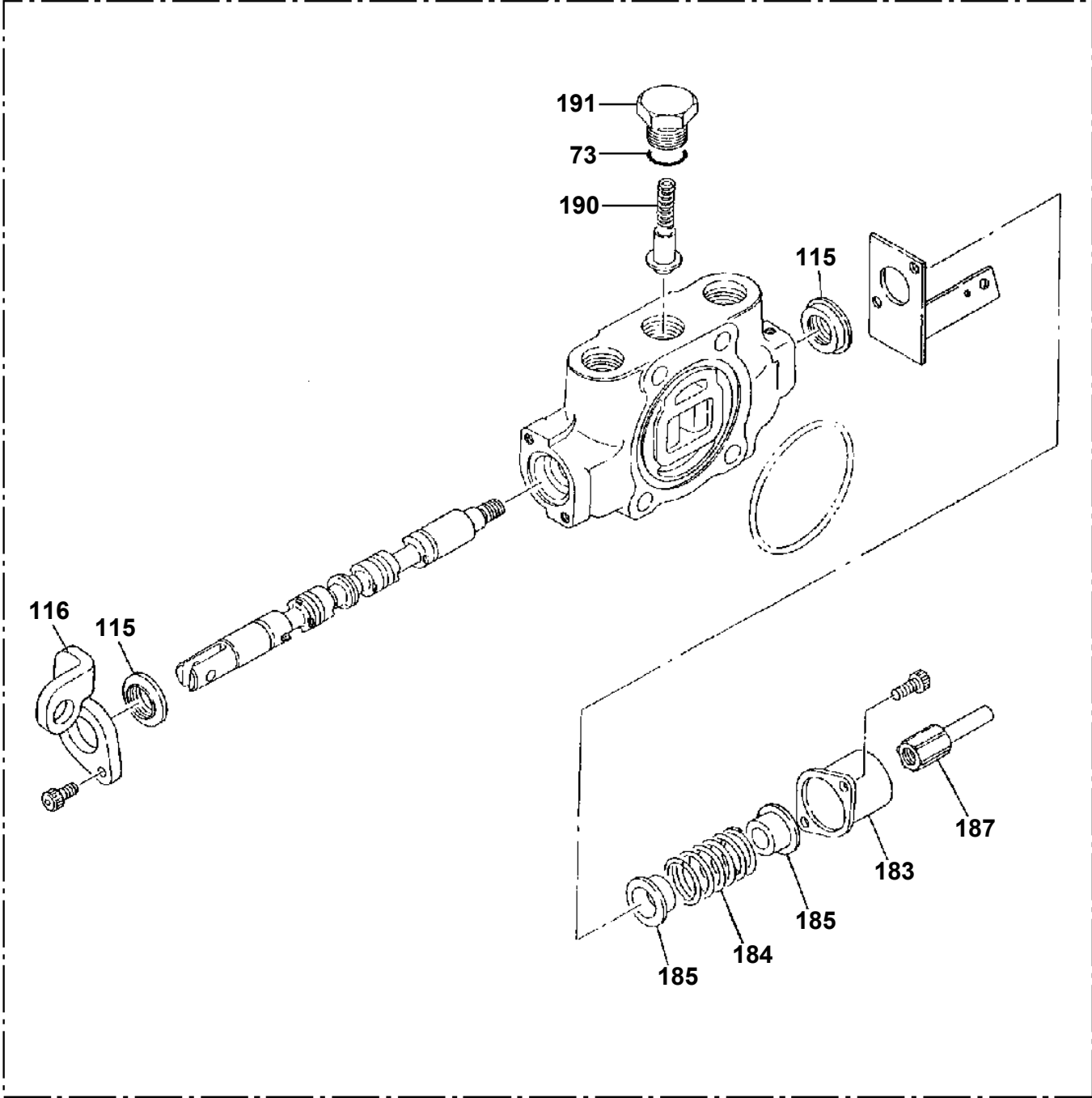
Pos No.	Parts No	Parts Name	Qty	Unit	Technical Data	Serial No (Start)	Serial No (End)
1	36800582000	SWITCH BOX (REMOTE CONTROL.M2)	1				
2	(*****)	STOWING BOX (REMOTE CONTROL)	1				
3	(*****)	ELEC.ASSY (REMOTE CONTROL)	1				

TM-ZF500 31093010330A FRAME/STD,REMOTE-RADIO CONT.,HOOK-IN
PV1020097-06 VALVE,REMOTE CONTROL (HOOK-IN,NACHI)



**TM-ZF500 31093010330A FRAME/STD,REMOTE-RADIO CONT.,HOOK-IN
PV1020099-01 VALVE,REMOTE CONTROL**

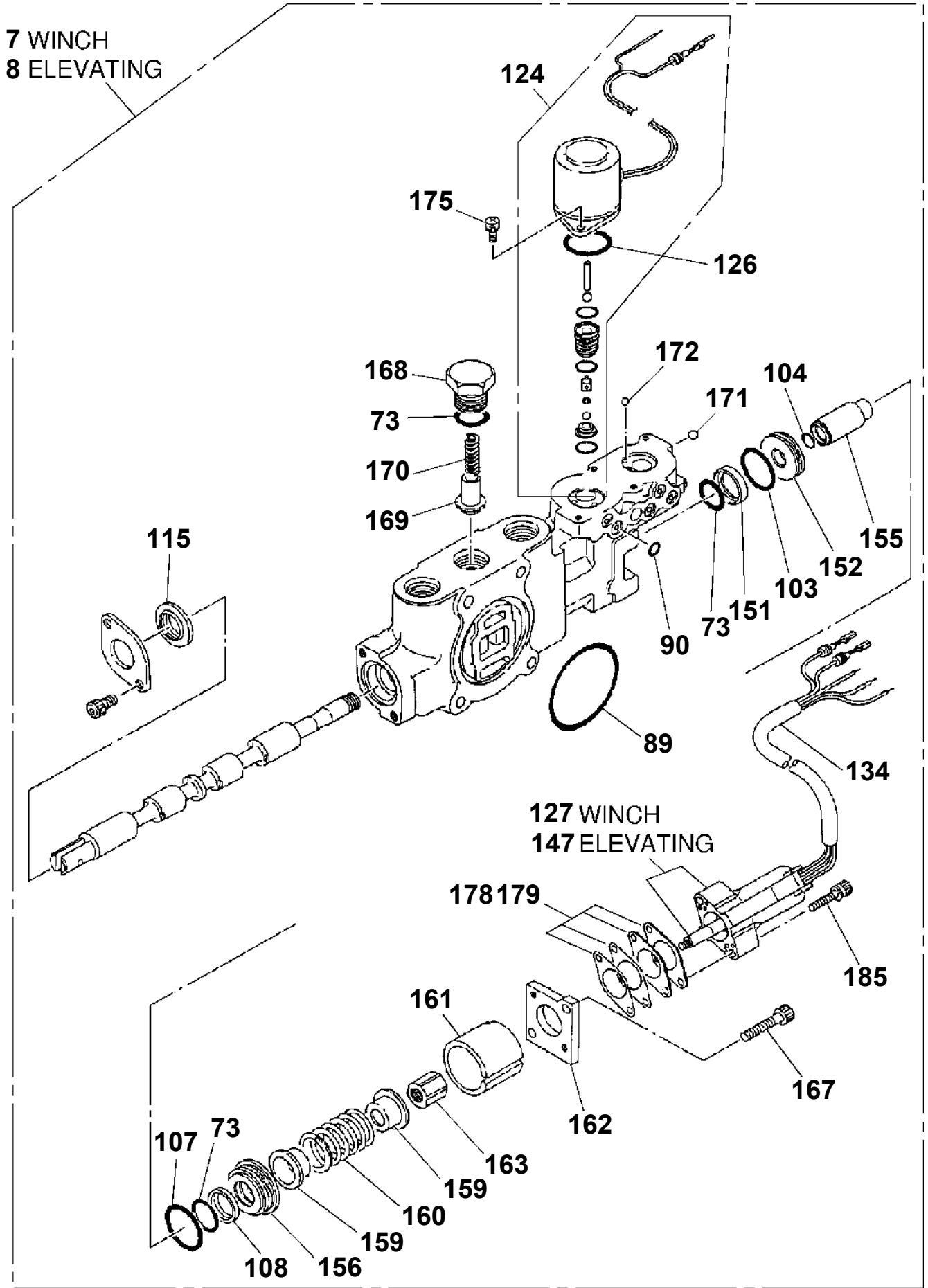
7 JACK1



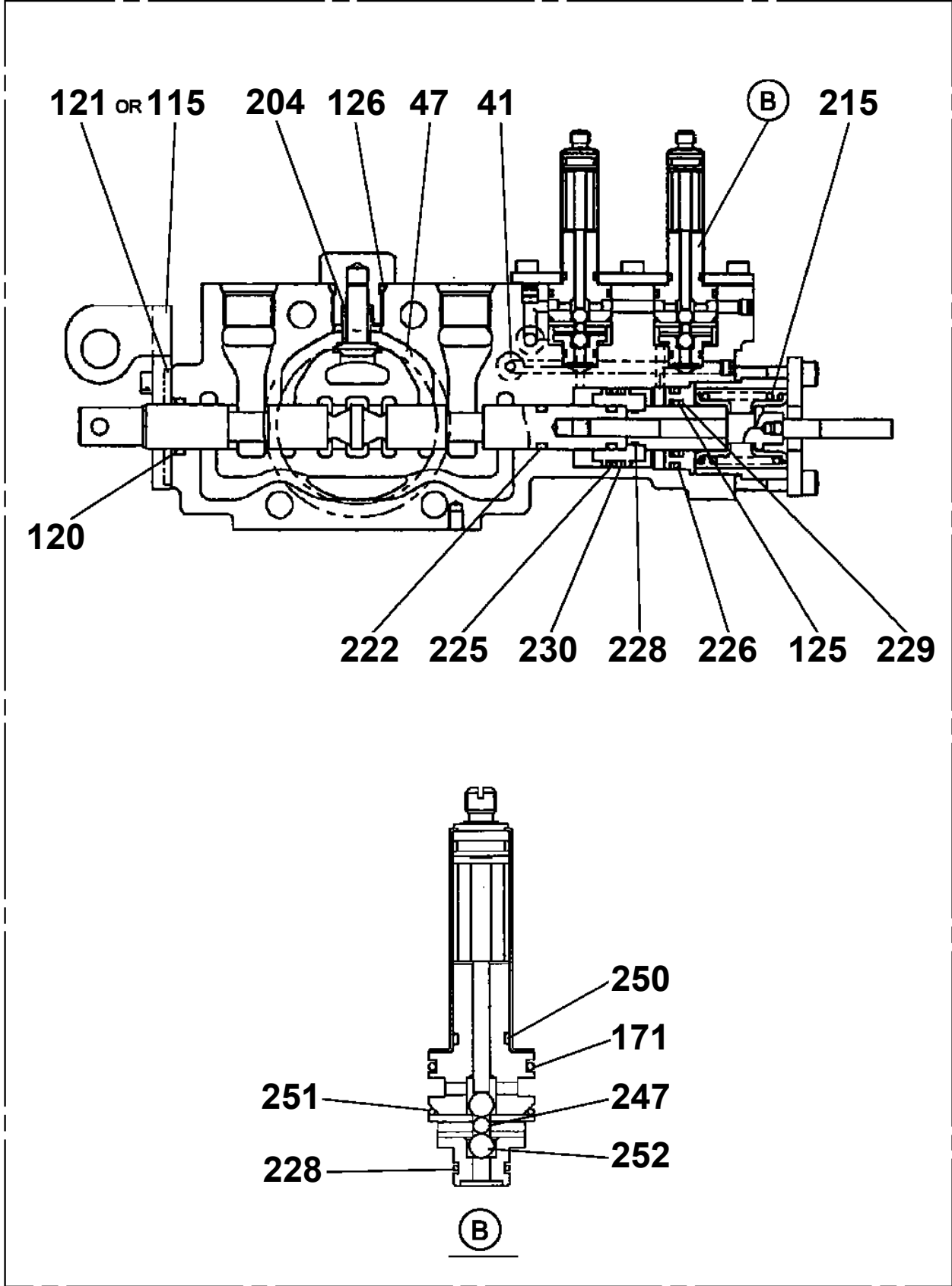
TM-ZF500 31093010330A FRAME/STD,REMOTE-RADIO CONT.,HOOK-IN

Pos No.	Parts No	Parts Name	Qty	Unit	Technical Data	Serial No (Start)	Serial No (End)
238	91002800300	O-RING	1		1B P3		
243	36645495250	SOLENOID ASSY	1				
244	36645495260	RING,BACKUP	1				
253	36603185150	TUBE	1				
254	36646865170	ROD,PUSH	1		8		
255	36645405040	ROD,PUSH	1				
261	90131903008	BOLT,HEXAGON SOCKET	2		M3X8		
262	36645495270	O-RING	1				
276	91002800400	O-RING	1		1B P4		
279	36645405180	SEAT,VALVE (WITH STEEL BALL)	1				
287	36641075260	SPRING	1				
400	36645400000	VALVE,REMOTE CONTROL (SANWA)	1				

**TM-ZF500 31093010330A FRAME/STD,REMOTE-RADIO CONT.,HOOK-IN
PV1020136-03 VALVE,REMOTE CONTROL (SANWA)**

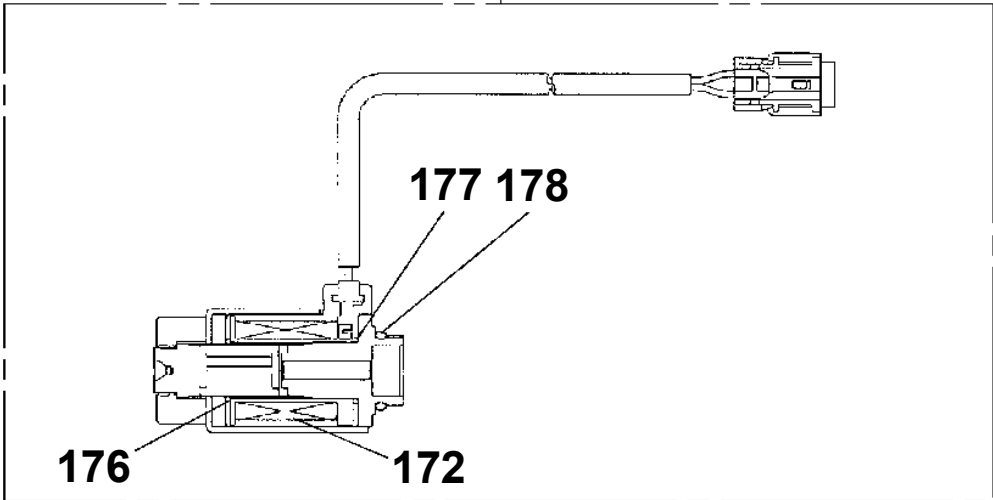


TM-ZF500 31093010330A FRAME/STD,REMOTE-RADIO CONT.,HOOK-IN
PV1020230-03 VALVE,REMOTE CONTROL (NACHI)
618191101

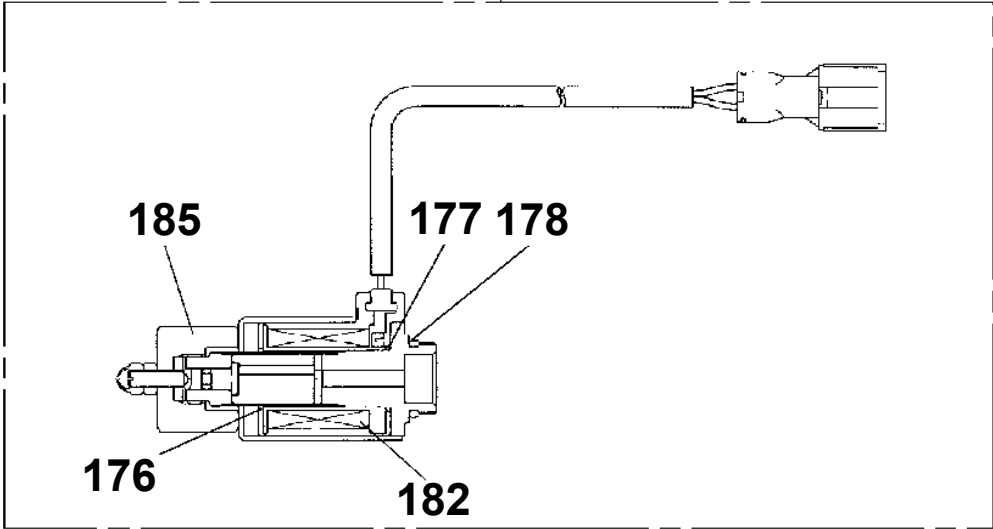


**TM-ZF500 31093010330A FRAME/STD,REMOTE-RADIO CONT.,HOOK-IN
PV1020253-00 VALVE,REMOTE CONTROL**

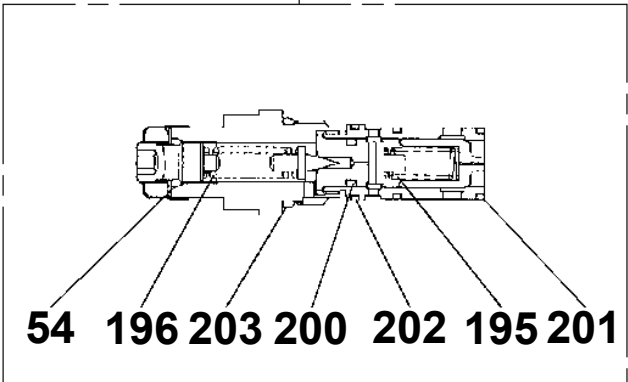
62



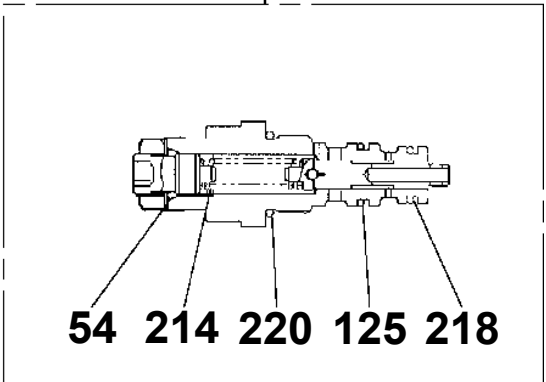
63



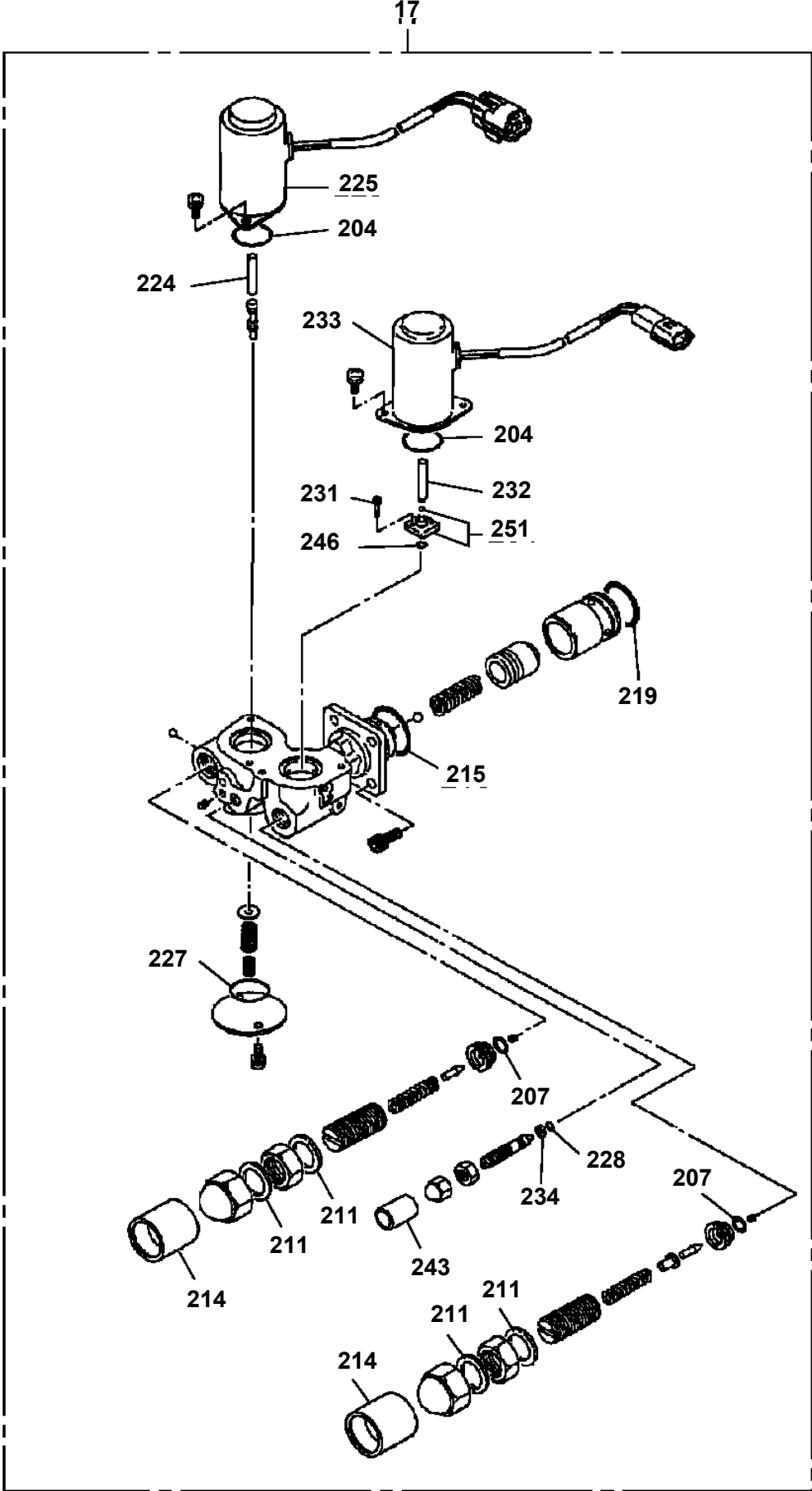
64



65

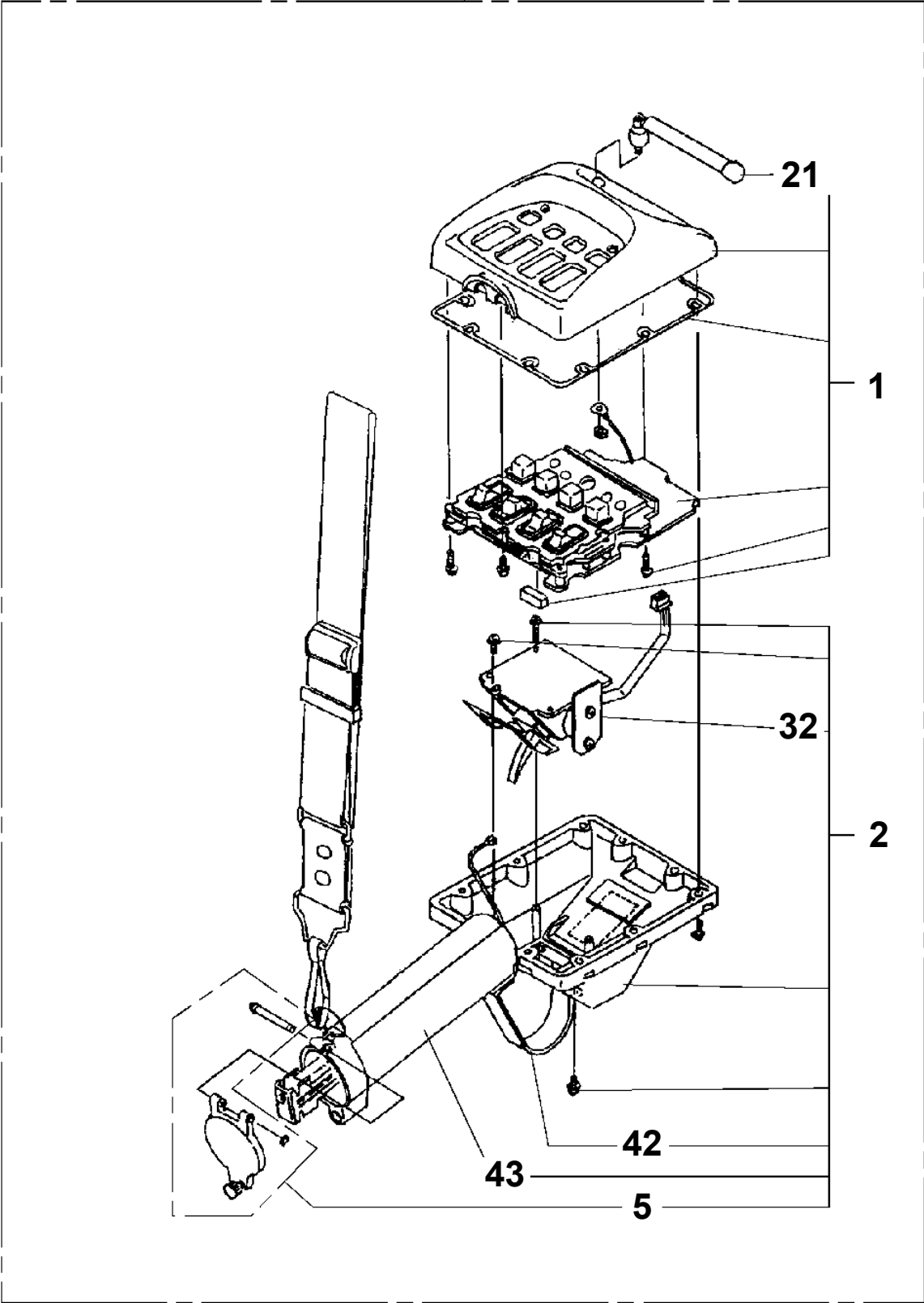


TM-ZF500 31093010330A FRAME/STD,REMOTE-RADIO CONT.,HOOK-IN
PV1020351-00 VALVE,REMOTE CONTROL



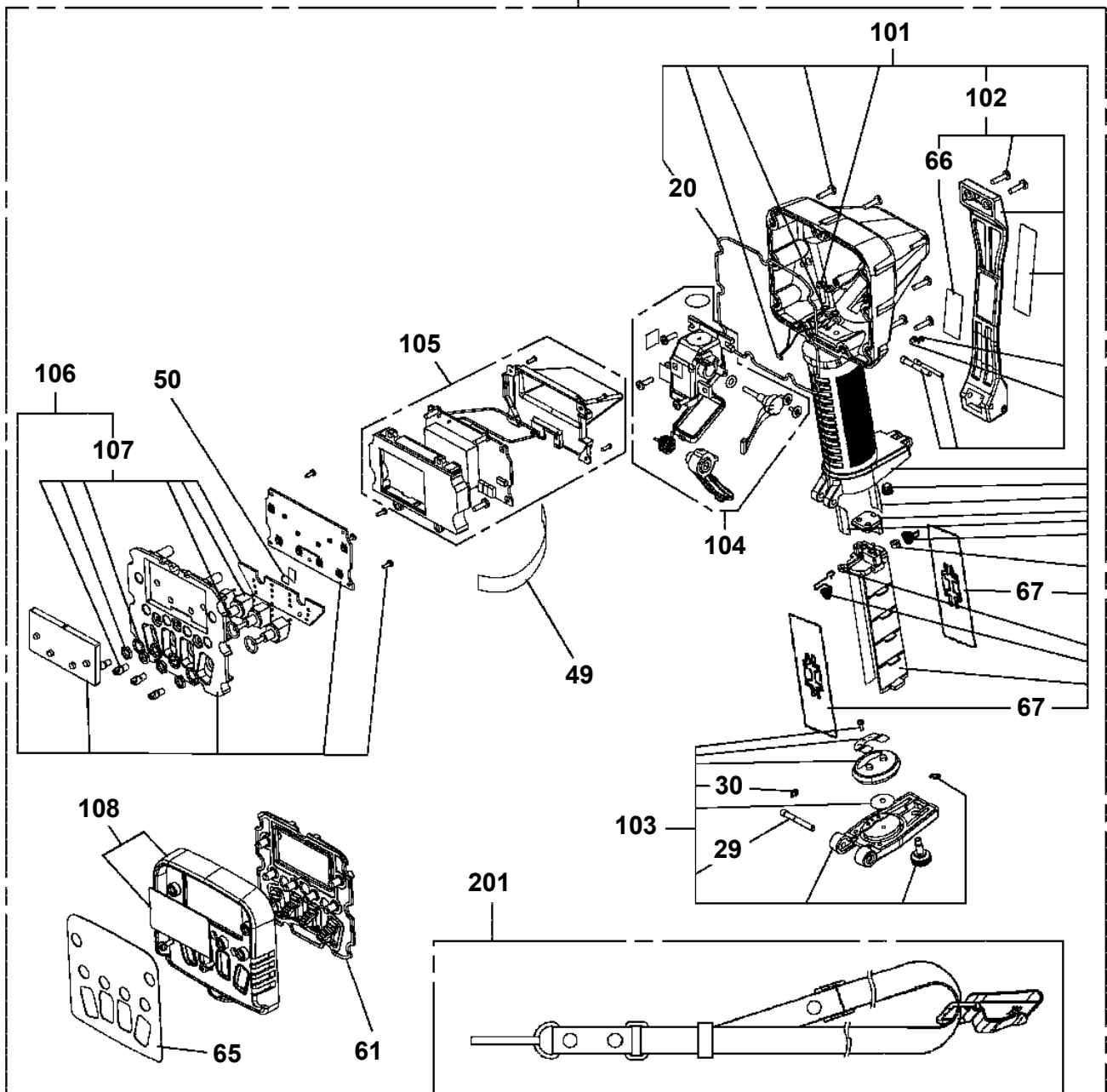
TM-ZF500 31093010330A FRAME/STD,REMOTE-RADIO CONT.,HOOK-IN
PV1030030-02 SWITCH BOX (RADIO CONTROL,C-TYPE)

50



TM-ZF500 31093010330A FRAME/STD,REMOTE-RADIO CONT.,HOOK-IN
PV1030080-05 SWITCH BOX (RADIO CONTROL,LED TYPE)

300



注意

1. 本体分解時には、指示番号20の「Oリング (ケース)」を併せて注文ください。
2. 「RF ASSY」を交換する場合は、指示番号66の「ラベル (コクイン)」も併せて注文ください。
3. お送りする「ラベル (コクイン)」には製造番号は印字されていないので記入してください。

NOTICE

1. When disassembling the main unit, order a key No.20 「O-RING(CASE)」 beforehand.
2. When replacing 「RF ASSY」 order a Key No.66 「 LABEL(SELIAL)」 beforehand.
3. Serial No.is not stamped on the 「 LABEL(SELIAL)」 before shipment. Fill in the blank by yourself.

TM-ZF500 31093010330A FRAME/STD,REMOTE-RADIO CONT.,HOOK-IN

Pos No.	Parts No	Parts Name	Qty	Unit	Technical Data	Serial No (Start)	Serial No (End)	Remarks	Pa
1	36802015011	CASE KIT (UPPER)	1						
2	36800565071	CASE KIT (LOWER)	1						
3	36800555081	PLATE,NAME (SEAL)	1						
4	36800095042	BELT ASSY	1						
5	36800565101	COVER (BATTERY)	1						
6	36800095031	CASE (BATTERY)	1						
22	36800095061	RING (CASE)	1						
23	36801995041	ANTENNA (FLEXIBLE)	1						
24	36800565151	PLATE,NAME	1						
25	36800565131	RUBBER (BOTTUN)	1						
42	36800565081	CASE ASSY (LEVER)	1						
52	36800295111	GUARD (HAND)	1						
53	36801995081	GRIP	1						
100	36802012001	SWITCH BOX	1						

TM-ZF500 31093010330A FRAME/STD,REMOTE-RADIO CONT.,HOOK-IN

Pos No.	Parts No	Parts Name	Qty	Unit	Technical Data	Serial No (Start)	Serial No
2	36800085010	GASKET	1				
4	36800565010	CONNECTOR ASSY (SPEAKER)	1				
5	36800565140	CONNECTOR ASSY	1				
6	36800565020	CONNECTOR ASSY	1				
11	36800565030	SPACER (RUBBER A)	1				
21	36800565040	PANEL ASSY (TIRMINAL)	1				
50	36801451000	CONTROL BOX (RADIO CONTROL C-TYPE)	1				

TM-ZF500 31093010330A FRAME/STD,REMOTE-RADIO CONT.,HOOK-IN

Pos No.	Parts No	Parts Name	Qty	Unit	Technical Data	Serial No (Start)	Serial No (End)
2	36800085010	GASKET	1				
4	36800565010	CONNECTOR ASSY (SPEAKER)	1				
5	36800565140	CONNECTOR ASSY	1				
6	36800565020	CONNECTOR ASSY	1				
7	36804015010	BOARD ASSY	1				
9	36804015020	PANEL ASSY (TERMINAL)	1				
11	36804015030	SPACER (RUBBER)	1				
12	36800565030	SPACER (RUBBER A)	1				
19	36800175030	CAP	1				
20	36800296100	PACKING (CONNECTOR INNER PART)	1				
100	36804011000	CONTROL BOX	1				

TM-ZF500 31093010330A FRAME/STD,REMOTE-RADIO CONT.,HOOK-IN

Pos No.	Parts No	Parts Name	Qty	Unit	Technical Data	Serial No (Start)	Serial No (End)
2	36800085011	GASKET	1				
4	36800565011	CONNECTOR ASSY (SPEAKER)	1				
5	36800565141	CONNECTOR ASSY (WITH HARNESS)	1				
6	36800565021	CONNECTOR ASSY (WITH HARNESS)	1				
7	36804045011	BOARD ASSY	1				
9	36804015021	PANEL ASSY (TERMINAL)	1				
11	36804015031	SPACER (RUBBER)	1				
12	36800565031	SPACER (RUBBER A)	1				
19	36800175031	CAP	1				
20	36800296101	PACKING (CONNECTOR INNER PART)	1				
100	36804041001	CONTROL UNIT	1				

TM-ZF500 31093010330A FRAME/STD,REMOTE-RADIO CONT.,HOOK-IN

Pos No.	Parts No	Parts Name	Qty	Unit	Technical Data	Serial No (Start)	Serial No
1	36062285010	BLOCK,CYLINDER	1				
2	36642415250	COIL,SOLENOID (WITHOUT CONNECTOR)	2				
3	36642415230	CASE (COIL)	2				
4	36642415240	YOKE (A)	2				
5	36642415270	YOKE (B)	4				
6	36642415280	NUT	2				
7	36642415290	COIL (LVDT, WITHOUT CONNECTOR)	1				
8	36642415300	SHIM (T=0.5)	2				
9	36642415310	SHIM (T=0.2)	2				
21	36642415320	PLATE	1				
22	36642415220	RING,BACKUP	1				
26	91001101001	O-RING	1		1A P10A		
27	91001101400	O-RING	2		1A P14		
28	91001102800	O-RING	1		1A P28		
29	91002803200	O-RING	1		1B P32		
30	91411001400	RING,BACKUP	1		P14		
31	91411002800	RING,BACKUP	2		P28		
49	80560055000	BALL,STEEL	4		3/16		
50	36642415260	BALL,STEEL	2				
51	91001000900	O-RING	2		S9		
52	91001000700	O-RING	2		S7		
53	91001001800	O-RING	2		S18		
54	91000501700	O-RING	2				
55	36370105600	O-RING	2				
67	36645155230	COIL ASSY (LVDT/EHS)	1				
68	36645155240	COIL ASSY (FHS)	1				
86	36062605020	BOLT,HEXAGON SOCKET(WITH WASHER)	2		M4X15		
87	36062605030	WASHER	2				
100	36062280000	CYLINDER,ACCELERATOR (NACHI)	1				

TM-ZF500 31093010330A FRAME/STD,REMOTE-RADIO CONT.,HOOK-IN

Pos No.	Parts No	Parts Name	Qty	Unit	Technical Data	Serial No (Start)	Serial No (End)	F
1	36804051001	CONTROL UNIT	1			EH8882	EH8881	
	36802431000	CONTROL BOX	1					
	36804051000	CONTROL BOX	1					
2	36802862000	ANTENNA (FOR RADIO CONTROL)	1					
3	36802863000	SWITCH BOX(RADIO CONTROL)	1					

TM-ZF500 31093010330A FRAME/STD,REMOTE-RADIO CONT.,HOOK-IN

Pos No.	Parts No	Parts Name	Qty	Unit	Technical Data	Serial No (Start)	Serial
2	(*****)	MOUNT,ANTENNA (RADIO CONTROL,TYPE-A)	1				
3	(*****)	ELEC.ASSY (RADIO CONTROL)	1				
4	36800541000	STOWING BOX (BAG,RADIO CONTROL)	1				
11	36804041001	CONTROL UNIT	1				
	36804021001	CONTROL UNIT	1				
	36800551000	CONTROL BOX (RADIO CONTROL.M2.A)	1				
	36800561000	CONTROL BOX (RADIO CONTROL.M2.B)	1				
12	36800552000	SWITCH BOX (RADIO CONTROL.M2.TYPE-A)	1				
	36800562001	SWITCH BOX	1				
	36800552001	SWITCH BOX	1				
	36800562000	SWITCH BOX (RADIO CONTROL.M2.TYPE-B)	1				

EH890

TM-ZF500 31093010330A FRAME/STD,REMOTE-RADIO CONT.,HOOK-IN

Pos No.	Parts No	Parts Name	Qty	Unit	Technical Data	Serial No (Start)	Serial No
1	(*****)	ELEC.ASSY (BML,OPTION)	1				
3	(*****)	DETECTOR,OVER FRONT AREA	1				
4	(*****)	INDICATOR,OUTRIGGER	1				
5	(*****)	DETECTOR,LOAD (BML,OPTION)	1				
6	(*****)	SWITCH INSTALLATION (BML)	1				
7	(*****)	PLATE ASSY,NAME (BML,OPTION)	1				
9	36131310000	DETECTOR,BOOM LENGTH (BML,OPTION)	1				
10	36117300000	MOMENT LIMITER (BML-PB)	1				
11	(*****)	PLATE ASSY,NAME (BML BOOM,OPTION)	1				

TM-ZF500 31093010330A FRAME/STD,REMOTE-RADIO CONT.,HOOK-IN

Pos No.	Parts No	Parts Name	Qty	Unit	Technical Data	Serial No (Start)	Serial No
1	(*****)	ELEC.ASSY	1				
3	(*****)	DETECTOR,LOAD (BML,OPTION)	1				
4	(*****)	SWITCH INSTALLATION (BML)	1				
5	(*****)	PLATE ASSY,NAME	1				
7	36131310000	DETECTOR,BOOM LENGTH (BML,OPTION)	1				
8	36117300000	MOMENT LIMITER (BML-PB)	1				

TM-ZF500 31093010330A FRAME/STD,REMOTE-RADIO CONT.,HOOK-IN

Pos No.	Parts No	Parts Name	Qty	Unit	Technical Data	Serial No (Start)	Serial No (End)
1	(*****)	PARTS,AWL (5.6 SECT,/RADICON OR MH)	1				
11	(*****)	ELEC.ASSY	1				
12	(*****)	PIPING,LOWER (VALVE/NABCO)	1				
14	(*****)	PLATE ASSY,NAME	1				

TM-ZF500 31093010330A FRAME/STD,REMOTE-RADIO CONT.,HOOK-IN

Pos No.	Parts No	Parts Name	Qty	Unit	Technical Data	Serial No (Start)	Serial No
1	36800335010	ELEMENT,ANTENNA (FLEXIBLE,TYPE A,B)	1				
10	36800150000	ANTENNA (15M.TRAVELLING TYPE A,B)	1				

TM-ZF500 31093010330A FRAME/STD,REMOTE-RADIO CONT.,HOOK-IN

Pos No.	Parts No	Parts Name	Qty	Unit	Technical Data	Serial No (Start)	Serial No (E
1	36804455010	ELEMENT,ANTENNA (FLEXIBLE,TYPE F)	2				
3	36800615010	ARM (28X300)	1				
4	36800145011	CABLE	1		10M		
7	36800145020	WASHER	1				
8	36800145030	NUT	1				
10	36804450000	ANTENNA (FOR RADIO CONTROL)	1				

TM-ZF500 31093010330A FRAME/STD,REMOTE-RADIO CONT.,HOOK-IN

Pos No.	Parts No	Parts Name	Qty	Unit	Technical Data	Serial No (Start)	Serial No (End)	Remarks
2	36073085020	COVER	1					
3	36073815010	GEAR,SPUR	1					
6	36073085061	BRAKE,DISK	1					
7	36073085072	WHEEL,RATCHET	1					
8	36073085080	RING (C)	1					
10	36073085090	RATCHET	1					
11	36073085100	SHAFT	1					
12	36073085111	SPRING	1					
13	36073085120	CAP	1					
14	36073085130	PIN	1					
15	36073085140	NUT	1					
16	80500006202	BEARING,BALL	1					
17	80500006212	BEARING,BALL	1				EW7101	
	80500006211	BEARING,BALL	1			EW7102		
18	80500006305	BEARING,BALL	1					
19	80500006007	BEARING,BALL	1					
20	36073085150	SEAL,OIL	1					
21	80602110620	RING,RITAINING	1		R62			
22	36071195200	O-RING	1					
23	91001101500	O-RING	1		1A P15			
24	80136340040	PIN,SPLIT	1		4X40			
25	36073085160	KEY	2					
26	36073085180	BOLT (WITH SW)	6					
27	36073085200	PLUG	1					
28	36073085170	GAUGE,OIL	1					
29	80172304015	SCREW,MACHINE	1		M4X15			
30	90302040401	WASHER,SPRING	1		4			
51	36073085602	GEAR ASSY	1					
	36073085603	GEAR ASSY	1			EW7102		EW7101
100	36073810000	WINCH ASSY (Y.G.TEC)	1					
101	36070441000	FACING KIT(JAPANESE)	1					
102	36070442000	FACING KIT (ENGLISH)	1					

TM-ZF500 31093010330A FRAME/STD,REMOTE-RADIO CONT.,HOOK-IN

Pos No.	Parts No	Parts Name	Qty	Unit	Technical Data	Serial No (Start)	Serial No (End)	Remarks	Pages
1	90101212025	BOLT	2		M12X25				
2	90201201200	NUT	2		M12				
3	90302041201	WASHER,SPRING	2		12				
4	31622503800	PLATE	2						
5	31730361100	SUPPORT	1						
6	90101210016	BOLT	2		M10X16				
7	90302041001	WASHER,SPRING	2		10				
8	37000512350	PLATE	1						

TM-ZF500 31093010330A FRAME/STD,REMOTE-RADIO CONT.,HOOK-IN

Pos No.	Parts No	Parts Name	Qty	Unit	Technical Data	Serial No (Start)	Serial No (End)	Remarks
1	(*****)	ELEC.ASSY (ALARM,UPPER)	1					
2	(*****)	ELEC.ASSY	1					
5	(*****)	PLATE ASSY,NAME	1					

CLICK HERE TO **DOWNLOAD** THE COMPLETE MANUAL

- Thank you very much for reading the preview of the manual.
- You can download the complete manual from: www.heydownloads.com by clicking the link below



- Please note: If there is no response to CLICKING the link, please download this PDF first and then click on it.

CLICK HERE TO **DOWNLOAD** THE COMPLETE MANUAL