

TM-ZF500 31093010320A FRAME/SL,REMOTE-RADIO CONT.,HOOK-IN

PB2000004-01 POWER TAKE OFF & PUMP

PK2000778-00 FRAME UNIT

PO1000122-01 INDICATION PLATES

PV1000075-02 REMOTE CONTROL SYSTEM

PY1000988-00 OPTIONS (SL)

ASSEMBLY

CLICK HERE TO **DOWNLOAD** THE COMPLETE MANUAL

- Thank you very much for reading the preview of the manual.
- You can download the complete manual from: www.heydownloads.com by clicking the link below



- Please note: If there is no response to CLICKING the link, please download this PDF first and then click on it.

CLICK HERE TO **DOWNLOAD** THE COMPLETE MANUAL

TM-ZF500 31093010320A FRAME/SL,REMOTE-RADIO CONT.,HOOK-IN

Pos No.	Parts No	Parts Name	Qty	Unit	Technical Data	Serial No
1	(*****)	REMOTE CONTROL (KIT)	1			
2	(*****)	RADIO CONTROL (PARTS)	1			
3	(*****)	PARTS ASSY,RADIO CONTROLLER (KIT:LED/SANWA)	1			
	(*****)	PARTS ASSY,RADIO CONTROLLER (KIT:LED/NACHI)	1			
4	(*****)	RADIO CONTROLLER ASSY (F-TYPE:LED/WITH HOOK-IN)	1			
	(*****)	RADIO CONTROLLER ASSY (F-TYPE:LED/WITHOUT HOOK-IN)	1			
5	(*****)	PARTS,BML (3,4 SECT.RADICON HOOK-IN)	1			
	(*****)	PARTS,BML (5,6 SECT.MANUAL)	1			
	(*****)	PARTS,BML (3,4 SECT.HOOK-IN)	1			
	(*****)	PARTS,BML (5,6 SECT.RADICON HOOK-IN)	1			
	(*****)	PARTS,BML (3,4 SECT.MANUAL)	1			
	(*****)	PARTS,BML (5,6 SECT.HOOK-IN)	1			
6	(*****)	PARTS,AWL (3.4 SECT./RADICON OR MH)	1			
	(*****)	PARTS,AWL (5.6 SECT./RADICON OR MH)	1			
	(*****)	PARTS,AWL	1			
7	36800280000	CABLE,REMOTE CONTROL (T,OPTION 20M)	1			
8	36802760000	ANTENNA (15M.TRAVELLING TYPE C,D,E)	1			
	36800150000	ANTENNA (15M.TRAVELLING TYPE A,B)	1			
9	(*****)	DETECTOR,DISORDERLY WINDING	1			
10	(*****)	PLATE (355X355,H=80)	1			
11	(*****)	HOOK	1			
	(*****)	HOOK (3TON SL WINCH, 2-PART LINE/MOUNT)	1			
12	(*****)	WINCH (DRUM FREE)	1			
13	(*****)	WINCH (10TON SELF WINCH)	1			
	(*****)	WINCH (3TON SELF WINCH,REMOCON)	1			
	(*****)	WINCH (10TON SELF WINCH,REMOCON)	1			
	(*****)	WINCH (3TON SELF WINCH)	1			
	(*****)	WINCH (3TON SL WINCH,RADICON)	1			
	(*****)	WINCH (10TON SL WINCH,RADICON)	1			
14	(*****)	ROPE,GUIDE	1			
15	(*****)	OUTRIGGER,REAR (ROTARY/HIGH TRUK BED)	1			
	(*****)	OUTRIGGER,REAR (ROTARY/LOW TRUK BED)	1			
17	(*****)	LAMP (MOUNT,POST/24V-60W)	1			
18	(*****)	LAMP (MOUNT,BOOM/24V-45W)	1			
19	(*****)	ALARM SYSTEM	1			
	(*****)	ALARM SYSTEM	1			
	(*****)	ALARM SYSTEM	1			
	(*****)	ALARM SYSTEM	1			
	(*****)	ALARM SYSTEM	1			
	(*****)	ALARM SYSTEM	1			
20	(*****)	ELEC.ASSY	1			
	(*****)	ELEC.ASSY	1			
21	(*****)	ELEC.ASSY (AWL LAMP/STOP TO CONFIGURATION)	1			
22	(*****)	COOLER,OIL	1			
23	(*****)	JOINT,ROTARY (RING ASSY,SLIP)	1			
24	(*****)	PLATE ASSY,NAME (FOR FIXING AWL)	1			

EH4190
EH4190

TM-ZF500 31093010320A FRAME/SL,REMOTE-RADIO CONT.,HOOK-IN

Pos No.	Parts No	Parts Name	Qty	Unit	Technical Data	Serial No (Start)	Serial No (End)	Remarks	Page
1	36400015010	CASE	1						
2	36400015020	GEAR	1						
3	36400015030	SHAFT	1						
4	36400015040	ADAPTER	1						
5	36400015050	SHAFT (FORK)	1						
6	36400015060	FORK	1						
7	52430604200	BALL,STEEL	1		10				
8	52430604190	SPRING	1						
9	52430304150	BOLT (ADJUSTING)	1						
10	52430604180	PACKING	1						
11	52430604210	NUT	1		M12				
12	80500006306	BEARING,BALL	1						
13	80500006007	BEARING,BALL	1						
14	91206035002	SEAL,OIL	1						
15	91216020001	SEAL,OIL	1						
16	36400015070	O-RING	1						
17	36400015080	PLUG	1						
18	36400015090	PACKING	1						
19	52630203020	PACKING	1						
20	36400015100	BOLT	2		M12X50X1.15				
21	90264201200	NUT	2		M12				
22	90302041201	WASHER,SPRING	2		12				
23	90191210030	BOLT	2		M10X30				
24	36400015110	BOLT	6		M10X40X1.5				
25	90264201000	NUT	6		M10				
26	90302041001	WASHER,SPRING	8		10				
50	36400010000	POWER TAKE OFF	1						

TM-ZF500 31093010320A FRAME/SL,REMOTE-RADIO CONT.,HOOK-IN

Pos No.	Parts No	Parts Name	Qty	Unit	Technical Data	Serial No (Start)	Serial No (End)	Remarks	Page
1	51630401010	CASE	1						
2	51630401020	GEAR	1						
3	51630401030	SHAFT	1						
4	51630401040	SHAFT (FORK)	1						
5	51630401050	FORK	1						
6	90192210016	BOLT	8		M10X16				
7	90302041001	WASHER,SPRING	8		10				
8	80500006305	BEARING,BALL	1						
9	51630401140	BEARING,ROLLER	1						
10	91204020001	SEAL,OIL	1						
11	91204025003	SEAL,OIL	1						
12	51630401060	SHIM	1						
13	51630401070	COVER (FRONT)	1						
14	51630401080	COVER (REAR)	1						
15	51630401090	PACKING	2						
16	51630401100	BOLT (ADJUSTING)	1						
17	51630401110	SPRING	1						
18	90211201600	NUT	1		M16				
19	80560061000	BALL,STEEL	1		3/8				
20	52130404310	KEY	1						
21	52130102030	COUPLING	1						
22	36400135150	NUT	1		M4X1.5				
23	52230102330	STOPPER	1						
24	36400135160	WASHER,PLAIN	1						
25	51630401130	PACKING (CASE)	1						
26	90193712110	BOLT (N4B)	4		M12X110				
27	90302041201	WASHER,SPRING	4		12				
30	51630401000	POWER TAKE OFF	1						

TM-ZF500 31093010320A FRAME/SL,REMOTE-RADIO CONT.,HOOK-IN

Pos No.	Parts No	Parts Name	Qty	Unit	Technical Data	Serial No (Start)	Serial No (End)	Remarks	Page
1	52430104010	CASE	1						
2	52430103020	PACKING	1						
3	52430604050	PACKING	2						
4	90302041001	WASHER,SPRING	6		10				
5	52130404310	KEY	1						
6	52130105070	WASHER,PLAIN	1						
7	52230102330	STOPPER	1						
8	52130105090	NUT,LOCK	1						
9	91206025010	SEAL,OIL	1						
11	80500006205	BEARING,BALL	2						
12	52430103040	GEAR,OUTPUT	1						
13	52430104020	SHAFT (OUTPUT)	1						
14	52130404040	COVER	1						
15	52130105100	COVER	1						
16	52430103060	FORK	1						
17	52430604200	BALL,STEEL	1		10				
18	52430604190	SPRING	1						
19	52430304150	BOLT (ADJUSTING)	1						
20	52430604180	PACKING	1						
21	52430604210	NUT	1		M12				
22	52430103030	SHAFT (SHIFTER)	1						
23	91206020007	SEAL,OIL	1						
24	90302040801	WASHER,SPRING	3		8				
25	90191208020	BOLT	8		M8X20				
26	90191210028	BOLT	4						
27	52430104040	BOLT	2						
28	90264251000	NUT	2						
29	52130102030	COUPLING	1						
50	52430104000	POWER TAKE OFF	1						

TM-ZF500 31093010320A FRAME/SL,REMOTE-RADIO CONT.,HOOK-IN

Pos No.	Parts No	Parts Name	Qty	Unit	Technical Data	Serial No (Start)	Serial No (End)	Remarks	Page
1	52130307050	CASE	1						
2	52130307020	GEAR,INPUT	1						
3	52130307030	GEAR,OUTPUT	1						
4	52130307040	SHAFT (INPUT)	1						
5	52130307010	SHAFT (OUTPUT)	1						
6	52130307060	SHAFT (SHIFTER)	1						
7	52130307070	SHAFT	1						
8	52130307080	FORK (SHIFTER)	1						
9	52130202330	COVER	1						
10	52130202320	COVER (BEARING)	1						
11	52130202030	YOKE	1						
12	52130307120	COLLAR	1						
13	52130307120	COLLAR	1						
14	80500006206	BEARING,BALL	2						
15	80500006205	BEARING,BALL	2						
16	91206030009	SEAL,OIL	1						
17	91206020007	SEAL,OIL	1						
18	52130307180	KEY	1						
19	52430304110	KEY	1						
20	52130105070	WASHER,PLAIN	1						
21	52430101090	WASHER,PLAIN	1						
22	52430604180	PACKING	1						
23	90209201200	NUT	1		M12				
24	90209201200	NUT	1		M12				
25	52430304150	BOLT (ADJUSTING)	1						
26	52130003200	SCREW,SET	1						
27	80560010000	BALL,STEEL	1		10				
28	52430604190	SPRING	1						
29	52130307290	PACKING	2						
30	90191210020	BOLT	8		M10X20				
31	90302041001	WASHER,SPRING	8		10				
32	52130307320	PLUG	1						
33	52130307330	PACKING	1						
50	52130307000	POWER TAKE OFF	1						

TM-ZF500 31093010320A FRAME/SL,REMOTE-RADIO CONT.,HOOK-IN

Pos No.	Parts No	Parts Name	Qty	Unit	Technical Data	Serial No (Start)	Serial No (End)	Remarks	Pages
1	36400435010	CASE	1						
2	36400435020	GEAR	1						
3	36400435030	SHAFT	1						
4	36400435040	SLEEVE	1						
5	36400435050	BEARING,PLAIN	1						
6	36400435060	SHIFTER SET	1						
7	36400095110	PACKING	1						
8	36400095070	COVER (BEARING)	1						
9	36400095080	PACKING (COVER)	1						
10	36400095090	SHIM	N						
11	36400435070	COLLAR	1						
12	80500006206	BEARING,BALL	1						
13	80500006007	BEARING,BALL	1						
14	80801002520	BEARING,PLAIN	2						
15	91216035002	SEAL,OIL	1						
16	90191208014	BOLT	3		M8X14				
17	90191208020	BOLT	4		M8X20				
18	90302040801	WASHER,SPRING	7		8				
19	36400435080	PLATE,NAME	1						
21	36400435090	PACKING (CASE)	1						
22	36400435100	BOLT,STUD	2						
23	36400435110	BOLT,STUD	2						
24	36400435120	BOLT,STUD	2						
25	90267401200	NUT	6						
26	90302041201	WASHER,SPRING	6		12				
27	31790680100	SUPPORT	1						
28	90191208025	BOLT	2		M8X25				
50	36400430000	POWER TAKE OFF	1						
100	31791760000	POWER TAKE OFF	1						

TM-ZF500 31093010320A FRAME/SL,REMOTE-RADIO CONT.,HOOK-IN

Pos No.	Parts No	Parts Name	Qty	Unit	Technical Data	Serial No (Start)	Serial No (End)	Remarks	Pa
1	36400845060	CASE	1						
2	36400845020	GEAR	1						
3	36400845030	SHAFT	1						
4	36400845040	GEAR	1						
5	36400395050	SHAFT	1						
6	36400095100	SHIFTER ASSY	1						
7	36400095110	PACKING	1						
8	36400095070	COVER (BEARING)	1						
9	36400095080	PACKING (COVER)	1						
10	36400095090	SHIM	1						
11	36400675030	COLLAR	1						
12	80500006206	BEARING,BALL	2						
13	36400675050	BEARING	2						
14	91206030005	SEAL,OIL	1						
15	80602110520	RING,RITAINING	2		R52				
16	36400095130	WASHER	1						
17	90101206015	BOLT	1		M6X15				
18	90191208020	BOLT	4		M8X20				
19	90191208014	BOLT	3		M8X14				
20	90302040801	WASHER,SPRING	7		8				
21	36401025060	PLUG	1						
22	36401025070	WASHER,PLAIN	1						
24	36401025090	PLATE,NAME	1						
25	36401025100	PACKING	1						
26	36400095150	BOLT,STUD	6		M10X1.25/1.5X43				
27	90267201000	NUT	6		M10				
28	90302041001	WASHER,SPRING	6		10				
29	31790770100	SUPPORT	1						
30	90191208025	BOLT	2		M8X25				
31	36401025120	NUT (REINFORCER)	1						
50	36400840000	POWER TAKE OFF	1						
100	31790770000	POWER TAKE OFF	1						

TM-ZF500 31093010320A FRAME/SL,REMOTE-RADIO CONT.,HOOK-IN

Pos No.	Parts No	Parts Name	Qty	Unit	Technical Data	Serial No (Start)	Serial No (End)	Remark
2	51630103010	CASE (P.T.O)	1					
3	51630103020	SHAFT (POWER TAKE OFF)	1					
4	51630103030	BEARING,NEEDLE	1					
6	36400955010	GEAR	1					
7	51630103050	WASHER	2					
8	51630103060	PIN,SPRING	1					
9	36400955020	SHAFT (OUTPUT)	1					
10	51630103080	BEARING,NEEDLE	2					
12	51630103090	GEAR,OUTPUT	1					
13	51630103100	WASHER	1					
15	51630103110	SLEEVE	1					
16	80500006206	BEARING,BALL	3					
17	52630106230	COVER (FRONT)	1					
18	36400955030	ADAPTER	1					
19	51630103140	GASKET	2					
20	51630103150	BOLT	4					
21	36400955040	BOLT	4		M8X25X1.25			
22	36400955050	SEAL,OIL	1					
25	51630103170	SHAFT	1					
26	51630103180	FORK	1					
27	51630103190	BOLT	1					
28	52630106200	BALL,STEEL	1					
29	52630106190	SPRING	1					
30	51630103200	PLUG	1					
31	51630103210	PLUG	1					
32	51630103220	SEAL,OIL	1					
33	51630103230	BOLT	1					
35	51630103240	NUT	1					
36	51630103250	GASKET	1					
37	51630103260	GASKET	1					
38	36400315040	BOLT	6					
40	36400955060	COUPLING	1					
41	36400955070	RING,STOP	1					
50	36400950000	POWER TAKE OFF	1					

TM-ZF500 31093010320A FRAME/SL,REMOTE-RADIO CONT.,HOOK-IN

Pos No.	Parts No	Parts Name	Qty	Unit	Technical Data	Serial No (Start)	Serial No (End)	Remarks	Pages
1	36401105010	CASE	1						
2	36401105100	GEAR	1						
3	36401105030	SHAFT	1						
4	36401105110	GEAR	1						
5	36401105050	COLLAR	1						
6	36400395050	SHAFT	1						
7	36400095070	COVER (BEARING)	1						
8	36400095080	PACKING (COVER)	1						
9	36400095090	SHIM	1						
10	36401105060	SHIFTER SET	1						
11	36400995080	PACKING	1						
12	80500006206	BEARING,BALL	2						
14	36400675050	BEARING	2						
15	80602110520	RING,RITAINING	2		R52				
16	91206030005	SEAL,OIL	1						
17	90101206015	BOLT	1		M6X15				
18	36400095130	WASHER	1						
19	90191208020	BOLT	4		M8X20				
20	90191208014	BOLT	3		M8X14				
21	90302040801	WASHER,SPRING	7		8				
23	36400915060	PACKING	2						
24	36401105120	SPACER	1						
25	36401105080	BOLT	6						
26	90267401200	NUT	6						
27	90302041201	WASHER,SPRING	6		12				
29	90191208025	BOLT	2		M8X25				
30	31790790100	SUPPORT	1						
50	36401100000	POWER TAKE OFF	1						
100	31790850000	POWER TAKE OFF	1						

TM-ZF500 31093010320A FRAME/SL,REMOTE-RADIO CONT.,HOOK-IN

Pos No.	Parts No	Parts Name	Qty	Unit	Technical Data	Serial No (Start)	Serial No (End)	Remarks	Page
1	36401785010	CASE	1						
2	36401785020	GEAR	1						
3	36401785030	SHAFT	1						
4	36401785040	GEAR	1						
5	36401785050	SHAFT	1						
6	36401105060	SHIFTER SET	1						
7	36400995080	PACKING	1						
8	36400995040	COVER	1						
9	36400995050	PACKING (COVER)	1						
10	36400995060	SHIM	N						
11	36401785060	COLLAR	1						
12	80500006306	BEARING,BALL	2						
13	36400135070	BEARING	2						
14	91206030005	SEAL,OIL	1						
15	80602110620	RING,RITAINING	2		R62				
16	90101206012	BOLT	1		M6X12				
17	36400095130	WASHER	1						
18	90191210016	BOLT	4		M10X16				
19	90302041001	WASHER,SPRING	12		10				
20	90191208020	BOLT	4		M8X20				
21	90302040801	WASHER,SPRING	4		8				
22	36401785070	PLUG	1						
25	36401375050	PACKING	1						
26	36400095150	BOLT,STUD	4		M10X1.25/1.5X43				
27	90191210030	BOLT	4		M10X30				
28	90267201000	NUT	4		M10				
30	90191208025	BOLT	2		M8X25				
31	31790790100	SUPPORT	1						
50	36401780000	POWER TAKE OFF	1						
100	31790820000	POWER TAKE OFF	1						

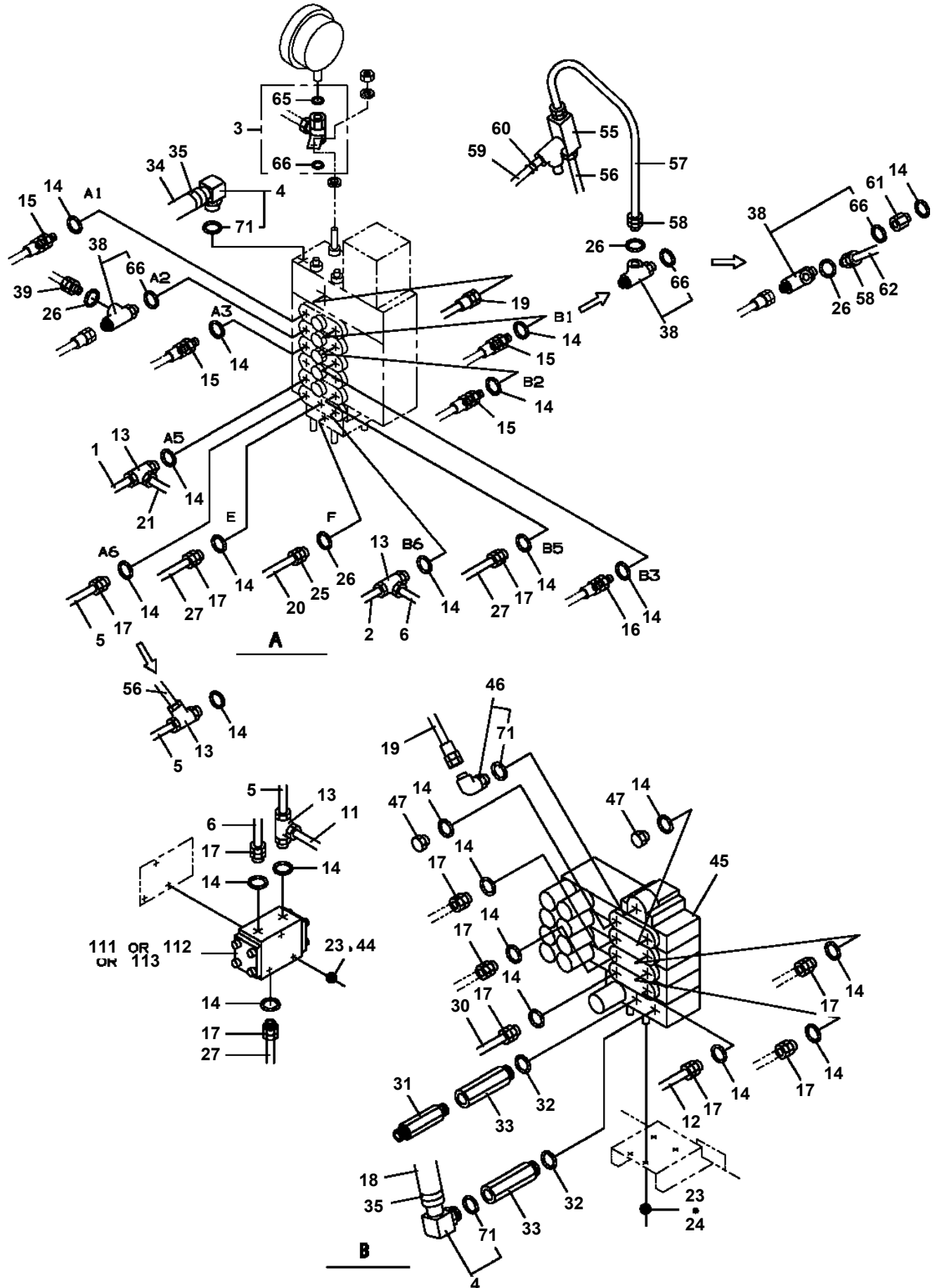
TM-ZF500 31093010320A FRAME/SL,REMOTE-RADIO CONT.,HOOK-IN

Pos No.	Parts No	Parts Name	Qty	Unit	Technical Data	Serial No (Start)	Serial No (End)	Remarks
1	36651645010	SEAL KIT	1					
10	36653390000	PUMP,HYDRAULIC (SGP2-36)	1					

TM-ZF500 31093010320A FRAME/SL,REMOTE-RADIO CONT.,HOOK-IN

Pos No.	Parts No	Parts Name	Qty	Unit	Technical Data	Serial No (Start)	Serial No (End)	Remarks
1	31630475100	BODY	1					
2	31630635200	CORE	1					
3	91531208000	PACKING	2					
4	91100308000	RING,SEAL	7					
5	31630735500	RING,SLIP (WITH BRUSH)	1				EW0427	
	31631631100	RING,SLIP	1			EW0428		
6	82121502030	PLATE	1					
7	82114203030	CONNECTOR (CAP)	1					
10	90180208016	BOLT,BUTTON	2		M8X16			
11	90302040801	WASHER,SPRING	6		8			
12	90102208014	BOLT	4		M8X14			
13	90303070801	WASHER,PLAIN	4		8		EW0427	
	90303070801	WASHER,PLAIN	6		8	EW0428		
14	90303100801	WASHER,PLAIN	2		8		EW0427	
20	31630479910	PACKING SET	1					
30	31630801000	JOINT,ROTARY (MURAKAMI)	1					

**TM-ZF500 31093010320A FRAME/SL,REMOTE-RADIO CONT.,HOOK-IN
PB1410779-00 PIPING,HYDRAULIC LOWER**



TM-ZF500 31093010320A FRAME/SL,REMOTE-RADIO CONT.,HOOK-IN

Pos No.	Parts No	Parts Name	Qty	Unit	Technical Data	Serial No (Start)	Serial No (End)
1	81408000081	PIPE,STEEL	1	M	8X1.2T		EH5196
2	81408000081	PIPE,STEEL	1	M	8X1.2T		EH5196
3	36062280000	CYLINDER,ACCELERATOR (NACHI)	1				EH3978
	36062600000	CYLINDER,ACCELERATOR(NACHI)	1			EH3979	
4	90101208070	BOLT	2		M8X70		
5	90302040801	WASHER,SPRING	7		8		
6	90201780800	NUT	4		M8		
7	36646280000	VALVE,REMOTE CONTROL (NACHI)	1				EH8041
	36648720000	VALVE,REMOTE CONTROL	1			EH8042	
8	80303210040	FITTING,ELBOW	4				
9	91002801100	O-RING	4		1B P11		
10	81408000160	PIPE,STEEL	1	M	12X1.4T		
11	31394250100	PLATE,NAME	1				
12	90101208018	BOLT	1		M8X18		
13	81408000081	PIPE,STEEL	1	M	8X1.2T	EH5197	
14	81408000081	PIPE,STEEL	1	M	8X1.2T	EH5197	

TM-ZF500 31093010320A FRAME/SL,REMOTE-RADIO CONT.,HOOK-IN

Pos No.	Parts No	Parts Name	Qty	Unit	Technical Data	Serial No (Start)	Serial No (End)	Rem
1	(*****)	OUTRIGGER (SL.RIGHT,L=550)	1					
2	(*****)	OUTRIGGER (SL.LEFT,L=550)	1					
3	37000165470	PIN	2					
4	90101210016	BOLT	4		M10X16		EH7134	
	90101210018	BOLT	4		M10X18	EH7135		
5	90302041001	WASHER,SPRING	4		10			
6	37000920970	JOINT	4		S,G1/4-G1/4			
7	91002801100	O-RING	4		1B P11			
8	90303071001	WASHER,PLAIN	2		10	EH7135		

TM-ZF500 31093010320A FRAME/SL,REMOTE-RADIO CONT.,HOOK-IN

Pos No.	Parts No	Parts Name	Qty	Unit	Technical Data	Serial No (Start)	Serial No
1	(*****)	CYLINDER,JACK (REAR/STROKE 330MM)	2				
11	31478091550	CASE,OUTER	1				
12	31622102000	CASE,INNER	2				
13	31621343000	CASE (LEFT H=555)	1				
14	31621344000	CASE (RIGHT H=555)	1				
15	31622103000	SUPPORT	1				
16	31622104000	SUPPORT	1				
17	90171118040	BOLT	8		M18X40		
18	90302041801	WASHER,SPRING	8		18		
19	31200713400	SHIM	2		T=0.6		
20	31621340401	COVER	2				
21	90186208016	BOLT,FLANGE	4		M8X16		
22	37000162930	PIN	2				
23	80314110060	NUT	4		PT10		
24	80314120060	SLEEVE	4		PT10		
25	31620386000	BOLT	2				
26	90203252000	NUT	2				
27	37000300170	SPACER	4		L=16		
28	42310210500	PIN	2				
29	37000308620	SPACER	4				
31	37003100030	GRIP	2				
32	37001200720	SPRING	2				
33	31621340200	PIN	2				
34	31621340100	PLATE	2				
35	90172112030	BOLT,HEXAGON SOCKET	12		M12X30		
36	90302401201	WASHER,SPRING (12)	12				
37	31620437000	GUIDE	8				
38	90101210025	BOLT	8		M10X25		
39	90302041001	WASHER,SPRING	12		10		
40	81408000130	PIPE,STEEL	4	M	10X1.8T		
44	80314130080	FITTING	4		PA10PT1/4		
45	82456201000	NIPPLE,GREASE	2		A-TYPE PT1/8		
46	82400000459	CAP	2				
47	80601110200	RING,RITAINING	8		S20		
48	37001100660	ROLLER ASSY	6				
49	37000303100	SPACER	2		L=129		
61	31621340300	SUPPORT	2				
62	90171116045	BOLT	8		M16X45		EH2598
	90171116050	BOLT	8		M16X50	EH2599	
63	90201781600	NUT	8		M6		EH2598
	90202781600	NUT	16		M16	EH2599	
64	90302041601	WASHER,SPRING	8		16		EH2598
65	37000539370	PLATE	2				
71	31622141200	PIN ASSY	2				
81	31642900100	PIPE ASSY (LEFT)	1				
82	31642900200	PIPE ASSY (RIGHT)	1				
83	37002408200	HOSE	4		L=1060		
84	44340295000	JOINT,SWIVEL	4		PT1/4XPF1/4		
85	90101210020	BOLT	4		M10X20		
91	44340297520	REPAIR KIT (O-RINGX2 BACKUPX2SEALX2)	4				
122	80516006004	BEARING,BALL	6				

TM-ZF500 31093010320A FRAME/SL,REMOTE-RADIO CONT.,HOOK-IN

Pos No.	Parts No	Parts Name	Qty	Unit	Technical Data	Serial No (Start)	Serial No (End)
1	36620990000	VALVE,PILOT CHECK	1				
2	90172110035	BOLT,HEXAGON SOCKET	2		M10X35		
3	90172110025	BOLT,HEXAGON SOCKET	4		M10X25		
4	90302041001	WASHER,SPRING	4		10		
5	36032650001	CYLINDER,JACK	1				
11	36032651000	CYLINDER	1				
12	80136363071	PIN,SPLIT	1		6.3X71		
13	37001600000	NUT,CASTLE	1		M36		
14	36032654000	ROD	1				
15	91350207500	BEARING,PLAIN (WITH PACKINGX2)	1				
16	91002803400	O-RING	1		1B P34		
17	36032652000	PISTON	1				
18	36030643000	COVER,ROD	1				
19	91002907000	O-RING	1		1B G70		
20	91694006000	PACKING	1				
21	91410206002	RING,BACKUP	1				
22	36010130030	WASHER	1				
23	91660006000	SEAL,DUST	2				
24	80622000600	RING,RITAINING	1		SP60		
30	36032659900	PACKING SET	1		60X75		

TM-ZF500 31093010320A FRAME/SL,REMOTE-RADIO CONT.,HOOK-IN

Pos No.	Parts No	Parts Name	Qty	Unit	Technical Data	Serial No (Start)	Serial No (End)	Remarks	Pages
1	82401600506	CLAMP	8		D6.5				
2	31360204100	HARNESS	1						
3	91810130250	FASTENER	8						
4	91810130240	FASTENER	8						
5	31360204300	SWITCH ASSY	2						
6	90101206008	BOLT	4		M6X8				
7	90302040601	WASHER,SPRING	4		6				
8	82100002596	RELAY	1						
9	80192486010	SCREW,MACHINE	1		M6X10				
10	31360204200	BUZZER ASSY	1						
21	31360204400	SWITCH ASSY	2						
22	31360204310	SUPPORT	2						
31	82108101100	SWITCH	2						

TM-ZF500 31093010320A FRAME/SL,REMOTE-RADIO CONT.,HOOK-IN

Pos No.	Parts No	Parts Name	Qty	Unit	Technical Data	Serial No (Start)	Serial No (End)	Rema
1	80602110850	RING,RITAINING	1		R85			
2	36080755010	SPACER	1					
3	80561100090	NUT	1		AN09			
5	80500005209	BEARING,BALL	1					
6	36080755020	WORM	1					
7	36080755030	BEARING,NEEDLE	1		BK3020+IR25*30*18			
8	36080755040	GAUGE,OIL	1					
9	36080235080	WASHER,SEAL	1		M16			
10	80316090060	PLUG	1		KKT PT3/8			
13	36080015091	SEAL,OIL	1					
14	36080755060	CASE,GEAR	1					
15	80520045010	BEARING,ROLLER	1					
16	36080505110	BOLT (WITH WASHER)	9		M10X30			
17	36080505080	KEY	1					
18	36080755070	WHEEL,WORM	1					
19	36080755080	CASE,GEAR	1					
20	80500006209	BEARING,BALL	1					
21	80601110450	RING,RITAINING	1		S45			
22	36080015000	PIN	2					
23	14123000400	BREATHER	1		PT1/8			
26	82400000478	BREATHER	1			Eh2606		Eh2605
31	36080755100	GEAR,SPUR	1					
50	36080750000	REDUCER,SWING SPEED	1					

TM-ZF500 31093010320A FRAME/SL,REMOTE-RADIO CONT.,HOOK-IN

Pos No.	Parts No	Parts Name	Qty	Unit	Technical Data	Serial No (Start)	Serial No (End)
1	90171110045	BOLT	2		M10X45		EH4053
	90171110040	BOLT	2		M10X40	EH4054	
2	90302041001	WASHER,SPRING	2		10		
3	36604060000	VALVE,COUNTERBALANCE (ELEVATING)	1				
4	36024760000	CYLINDER,ELEVATING	1				
5	82400000459	CAP	2				
21	36024769520	ROD ASSY	1				
22	36024769510	CYLINDER ASSY	1				
23	91002915000	O-RING	1		1B G150		
24	36024761500	COVER,ROD	1				
25	91694111000	PACKING	1				
26	91660011000	SEAL,DUST	1				
27	37000403110	BEARING,PLAIN	4				
28	91684016000	PACKING	2				
29	36024761000	PISTON	1				
30	91002911000	O-RING	1		1B G110		
31	82456101000	NIPPLE,GREASE	2		A-PT1/8		
32	80622001100	RING,RITAINING	1		SP110		
33	91411214501	RING,BACKUP	2				
34	91410211002	RING,BACKUP	1				
50	36024769900	PACKING SET	1				

TM-ZF500 31093010320A FRAME/SL,REMOTE-RADIO CONT.,HOOK-IN

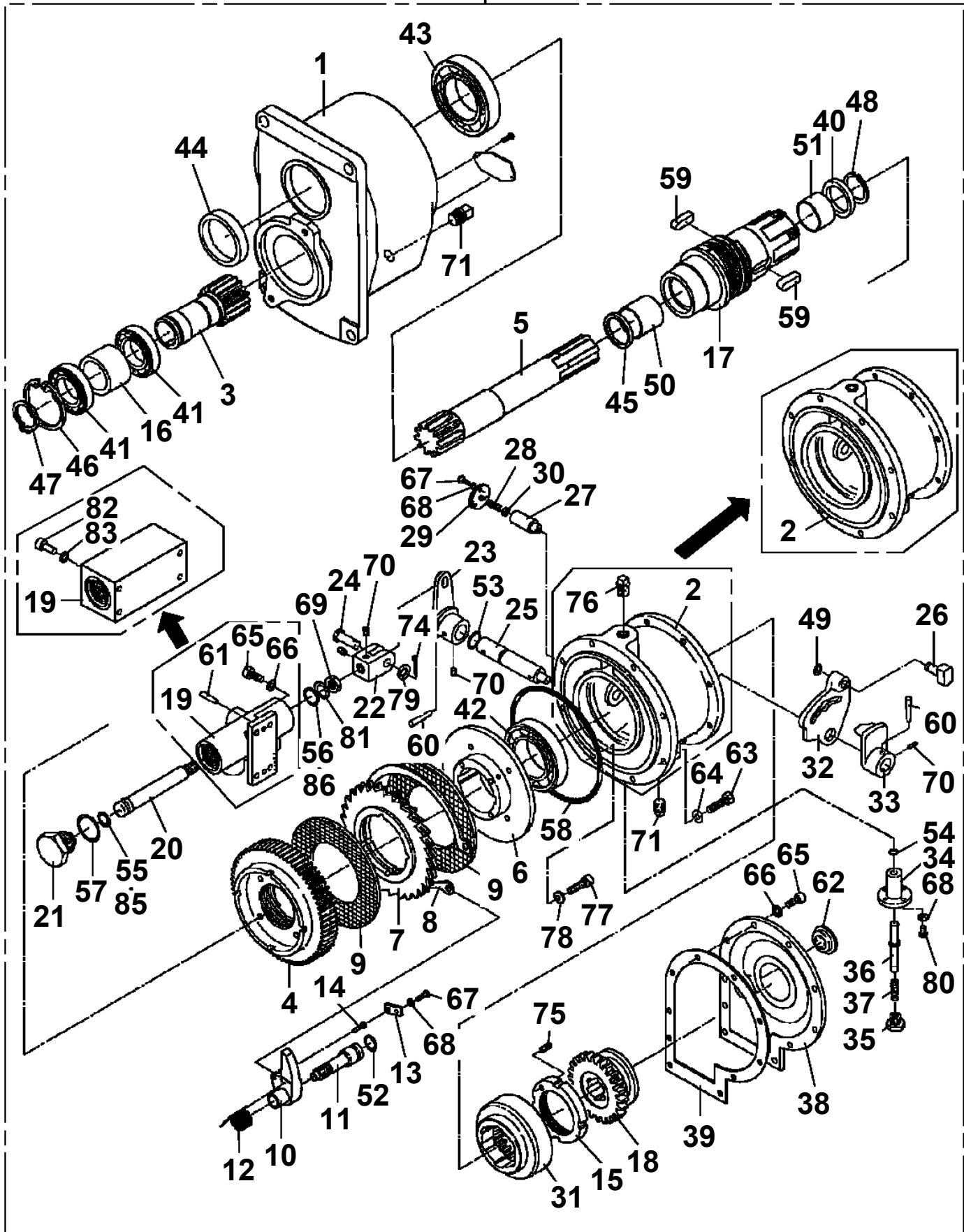
Pos No.	Parts No	Parts Name	Qty	Unit	Technical Data	Serial No (Start)	Serial No (End)	Remark
2	31475352100	PLATE,NAME	1					
5	82100000191	TERMINAL	1					
6	82100000183	INSULATOR	1					
7	91810130240	FASTENER	4					
8	82100002673	CONNECTOR (0.5-0.85,RED)	1					
9	31380292800	HARNESS	1					

TM-ZF500 31093010320A FRAME/SL,REMOTE-RADIO CONT.,HOOK-IN

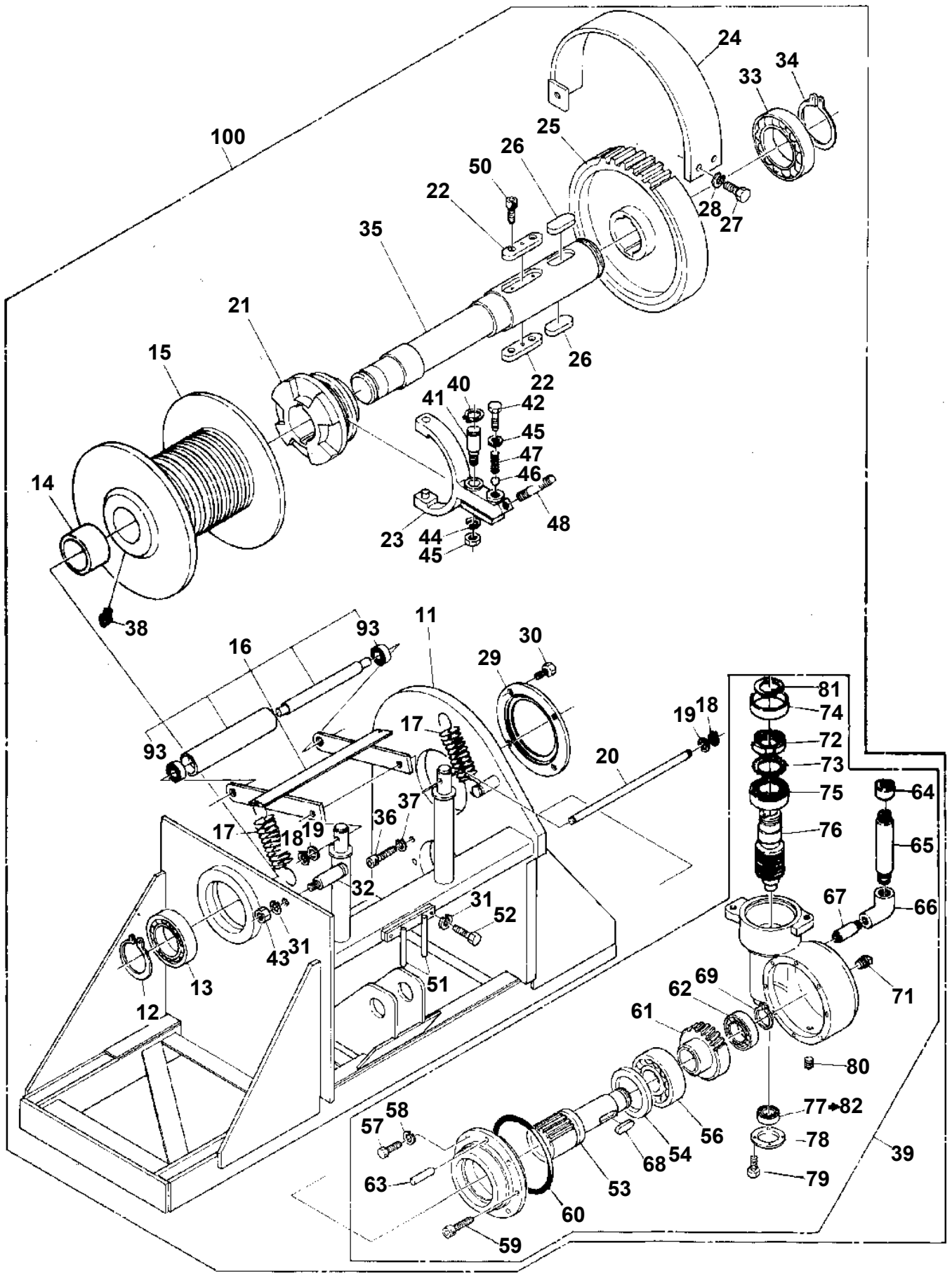
Pos No.	Parts No	Parts Name	Qty	Unit	Technical Data	Serial No (Start)	Serial No (End)	Remarks
1	(*****)	ELEC.ASSY (CRANE/SWITCH)	1					
2	(*****)	ELEC.ASSY (CRANE/HARNESS)	1					
3	(*****)	ELEC.ASSY (CARRIER)	1					
7	(*****)	PLATE ASSY,NAME	1					

TM-ZF500 31093010320A FRAME/SL,REMOTE-RADIO CONT.,HOOK-IN
PF1010133-01 WINCH (DRUM FREE)

100



TM-ZF500 31093010320A FRAME/SL,REMOTE-RADIO CONT.,HOOK-IN
PF1010177-00 WINCH (SL 4TONX1)



TM-ZF500 31093010320A FRAME/SL,REMOTE-RADIO CONT.,HOOK-IN

Pos No.	Parts No	Parts Name	Qty	Unit	Technical Data	Serial No (Start)	Serial No (
1	(*****)	WINCH (SELF)	1				
2	(*****)	HOOK (SELF WINCH 10TON OPTION)	1				
3	(*****)	OPERATION SYSTEM, CONTROL VALVE	1				
4	(*****)	PIPING,WINCH	1				
6	31470511000	STOPPER,TIRE	4				
7	(*****)	PLATE ASSY,NAME (SELF WINCH,10TON)	1				
8	(*****)	ELEC.ASSY (WINCH)	1				

TM-ZF500 31093010320A FRAME/SL,REMOTE-RADIO CONT.,HOOK-IN

Pos No.	Parts No	Parts Name	Qty	Unit	Technical Data	Serial No (Start)	Serial No (E
1	(*****)	WINCH (SELF 3TX1,OPTION)	1				
2	(*****)	HOOK (3TON SELF WINCH)	1				
3	(*****)	OPERATION SYSTEM, CONTROL VALVE	1				
4	(*****)	PIPING,WINCH	1				
6	31470511000	STOPPER,TIRE	2				
7	(*****)	PLATE ASSY,NAME (SELF WINCH,3TON)	1				
8	(*****)	ELEC.ASSY (SL)	1				
9	(*****)	RADIO CONTROL (KIT:MITSUMI)	1				

TM-ZF500 31093010320A FRAME/SL,REMOTE-RADIO CONT.,HOOK-IN

Pos No.	Parts No	Parts Name	Qty	Unit	Technical Data	Serial No (Start)	Serial No (End)	Rema
1	14211695513	HOOK ASSY	1					
2	36090239510	BODY ASSY	1					
3	80500051205	BEARING,BALL	1					
4	80136350060	PIN,SPLIT	1		5X60			
7	90710008200	SCREW,SET	1		M8X20			
12	36094049510	STOPPER ASSY	1					
20	36090230000	HOOK (1-PART LINE ,OPTION)	1					

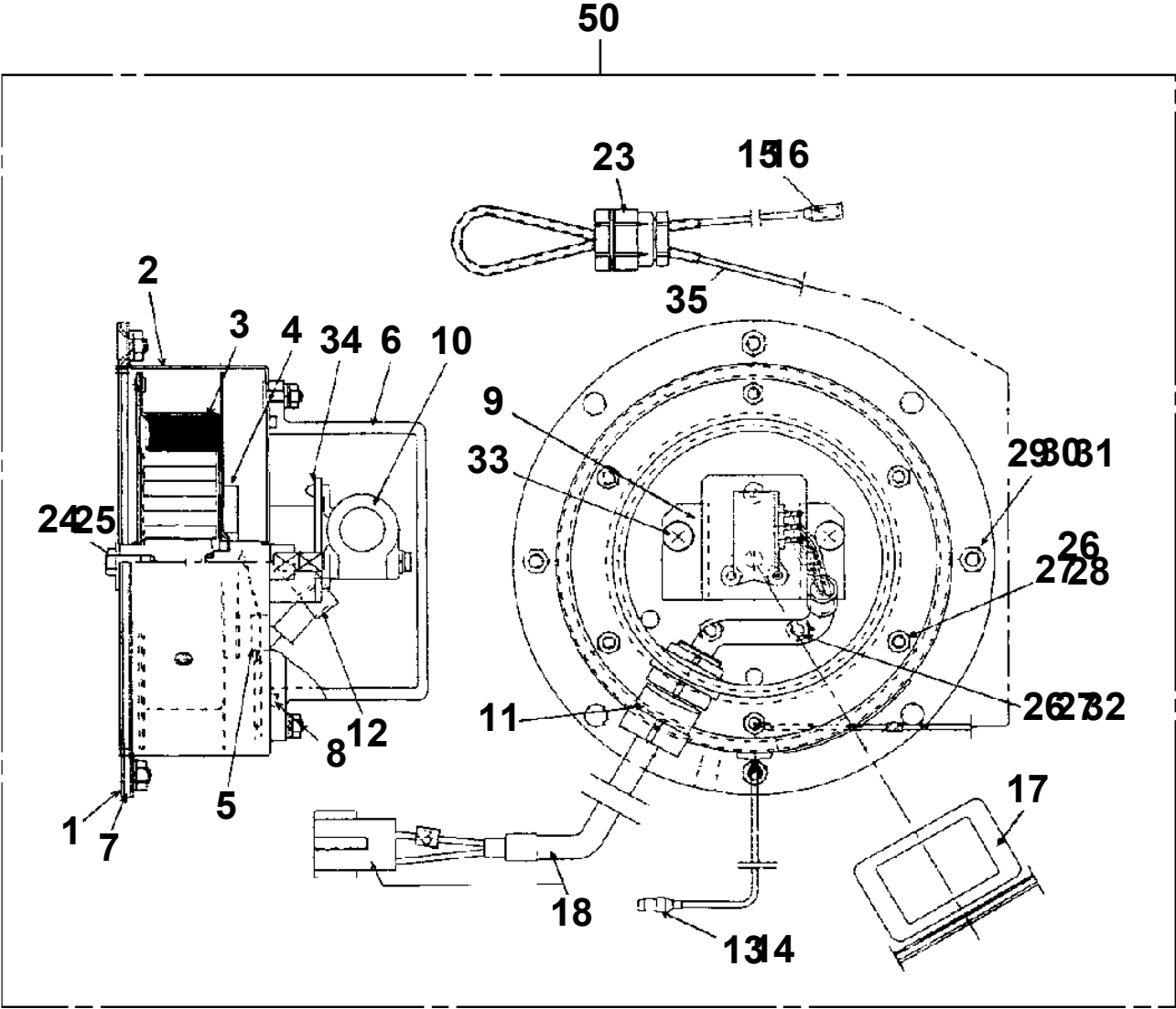
TM-ZF500 31093010320A FRAME/SL,REMOTE-RADIO CONT.,HOOK-IN

Pos No.	Parts No	Parts Name	Qty	Unit	Technical Data	Serial No (Start)	Serial No (End)	Rema
1	36090230000	HOOK (1-PART LINE ,OPTION)	1					
2	(*****)	PLATE ASSY,NAME (HOOK)	1					

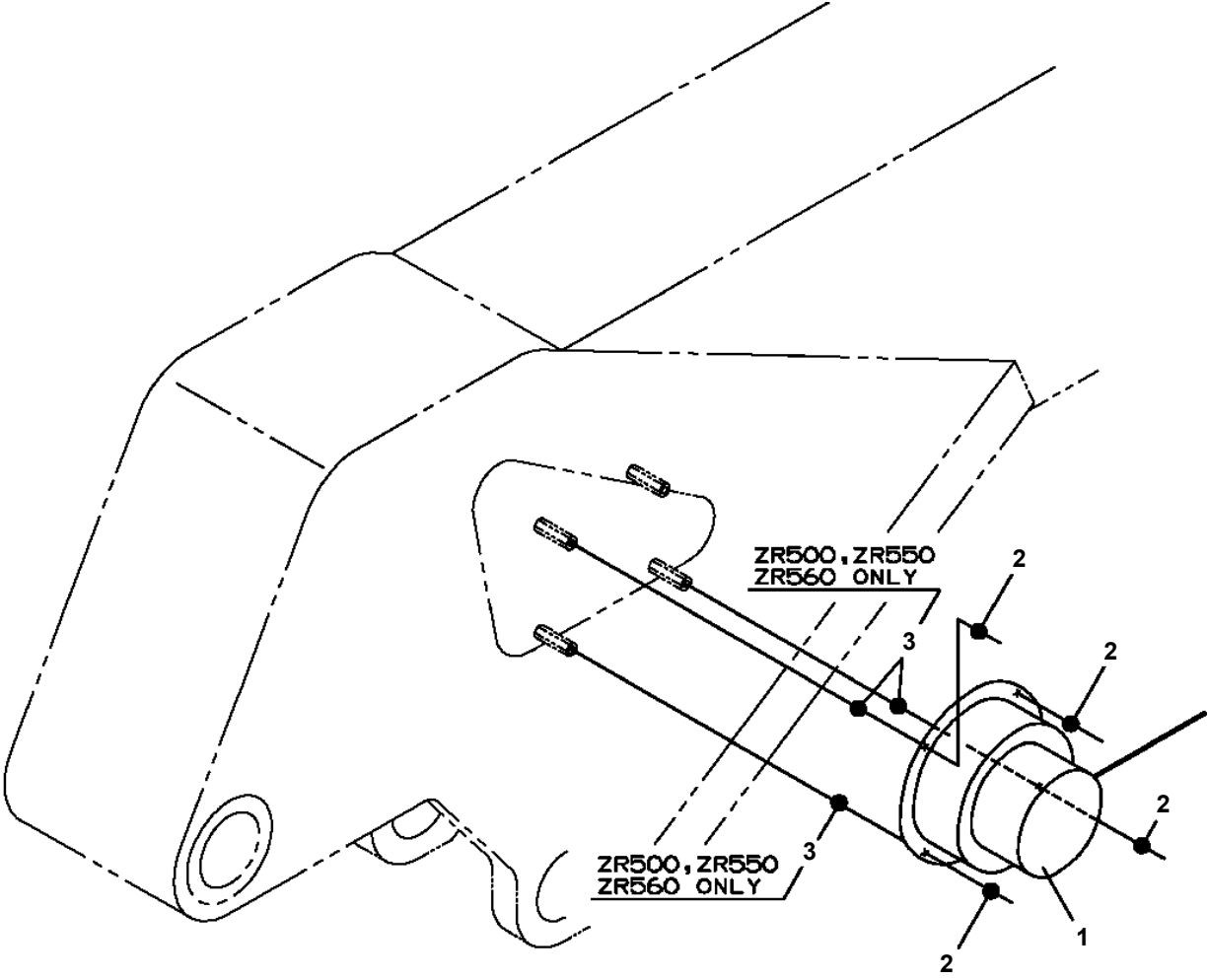
TM-ZF500 31093010320A FRAME/SL,REMOTE-RADIO CONT.,HOOK-IN

Pos No.	Parts No	Parts Name	Qty	Unit	Technical Data	Serial No (Start)	Serial No (End)	Remarks
1	36642760000	VALVE,SOLENOID	1					
2	31473743100	JOINT	1					
3	31473743200	JOINT	1					
4	37000924420	JOINT	1					
5	31473743300	COVER	1					
6	91803600200	CLIP	2		D=13-20			
7	81408000081	PIPE,STEEL	1	M	8X1.2T			
8	81408000081	PIPE,STEEL	1	M	8X1.2T			
9	81408000081	PIPE,STEEL	1	M	8X1.2T			
10	80303210040	FITTING,ELBOW	4					
11	80302120040	FITTING	2		POA08PF1/4			
12	91002801100	O-RING	6		1B P11			
13	90302040801	WASHER,SPRING	4		8			
14	90172105045	BOLT,HEXAGON SOCKET	4		M5X45			
15	90101208016	BOLT	2		M8X16			
16	90101208012	BOLT	2		M8X12			
17	37002511730	HOSE	1		L=225			
34	91002801400	O-RING	1		1B P14			

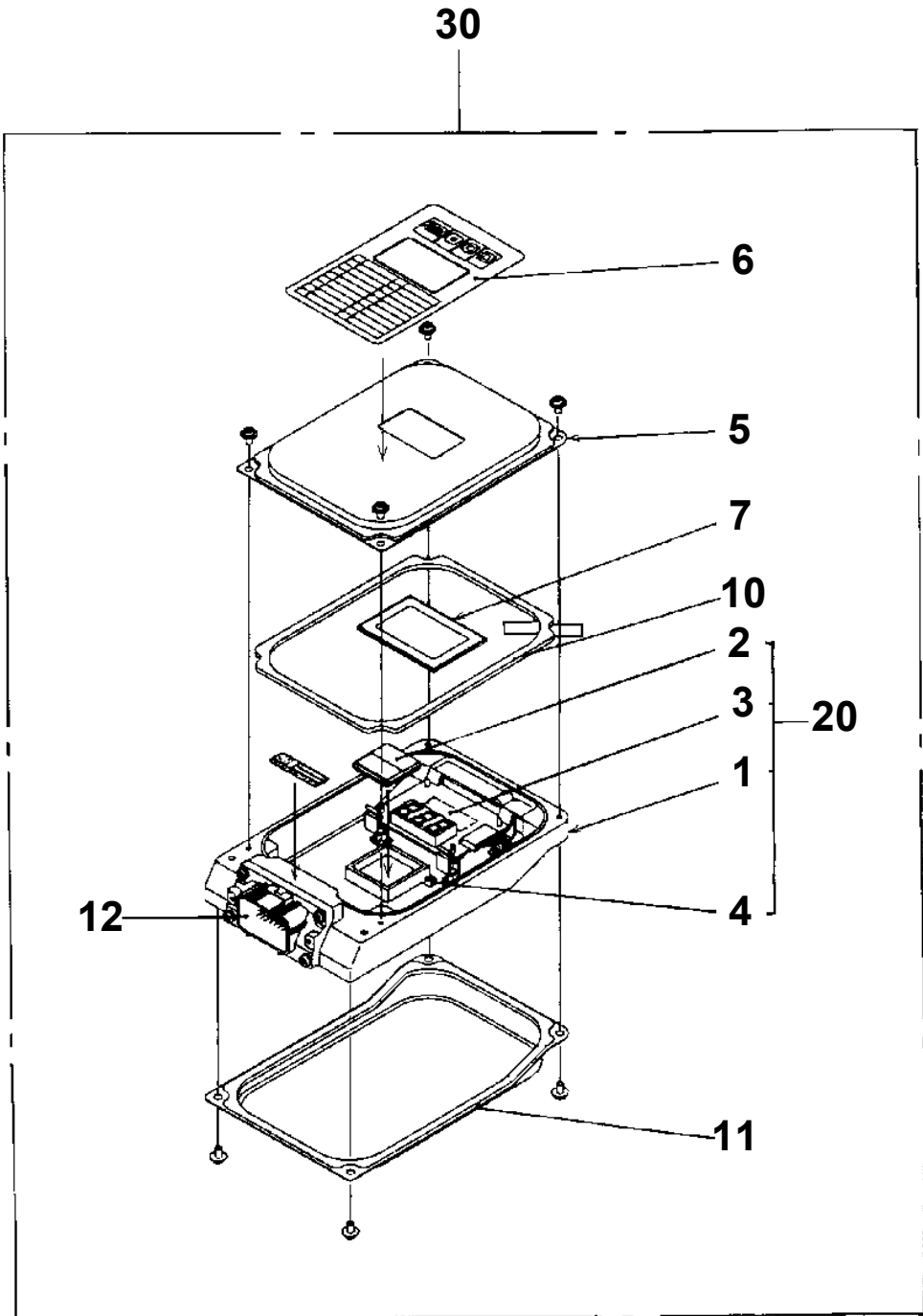
**TM-ZF500 31093010320A FRAME/SL,REMOTE-RADIO CONT.,HOOK-IN
PG1130086-01 DETECTOR,BOOM LENGTH (BML,OPTION)**



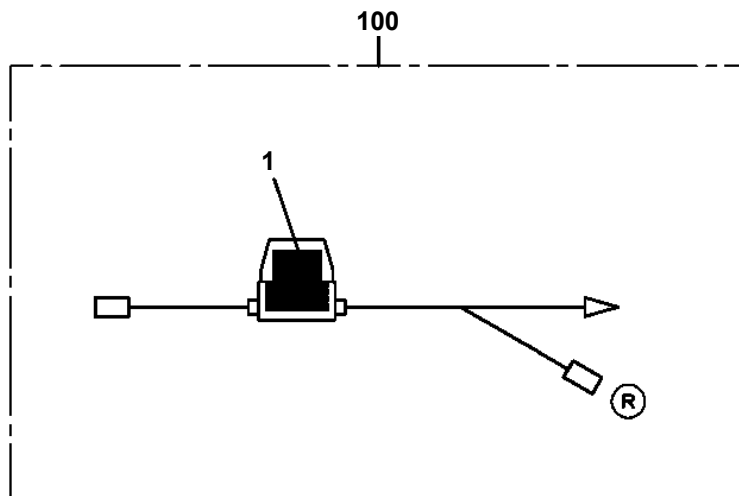
**TM-ZF500 31093010320A FRAME/SL,REMOTE-RADIO CONT.,HOOK-IN
PG1130145-01 DETECTOR,BOOM LENGTH (MOUNT)**



TM-ZF500 31093010320A FRAME/SL,REMOTE-RADIO CONT.,HOOK-IN
PH1250033-01 MOMENT LIMITER (BML-PB)



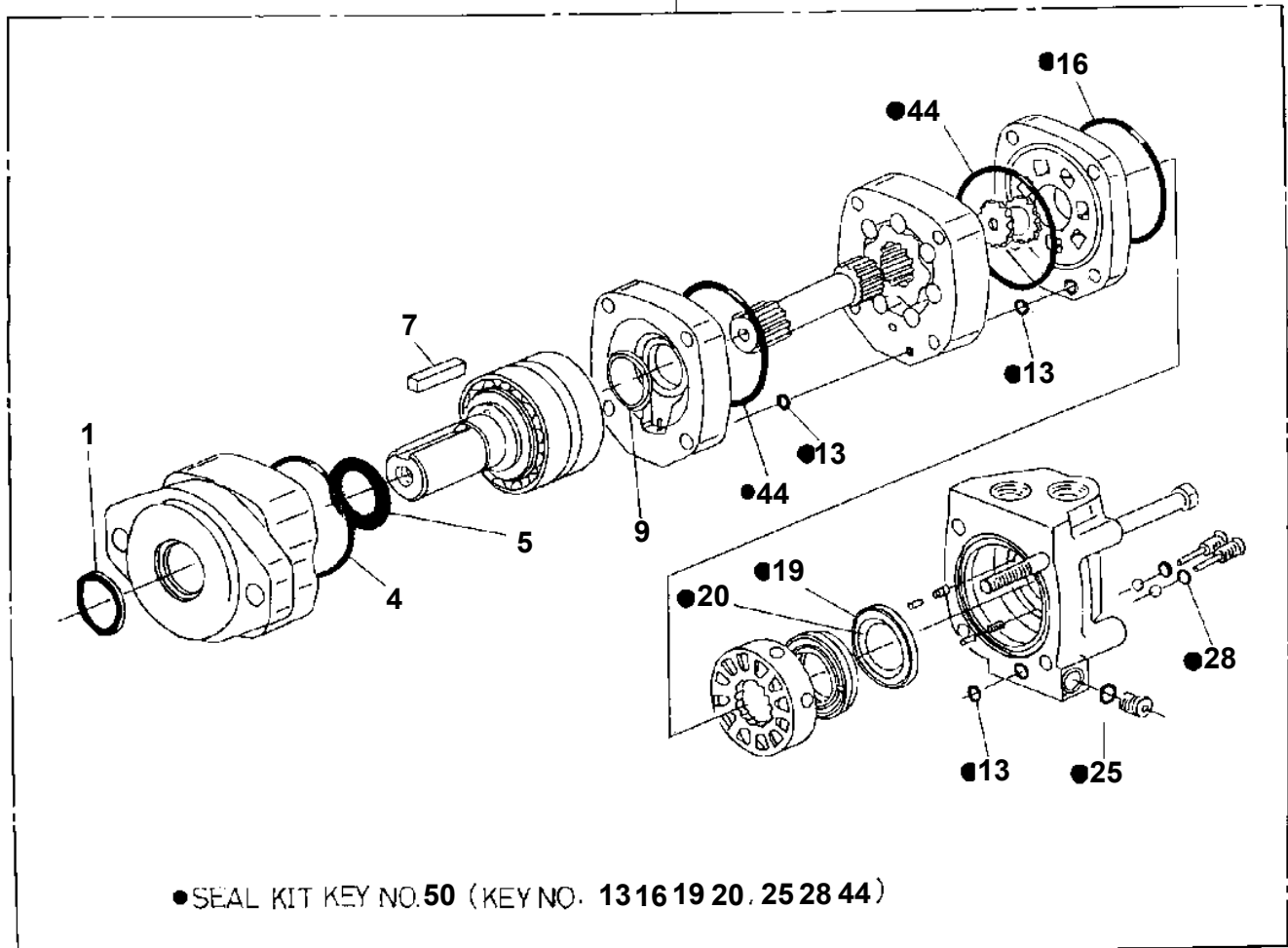
**TM-ZF500 31093010320A FRAME/SL,REMOTE-RADIO CONT.,HOOK-IN
PH5033355-00 HARNESS**



TM-ZF500 31093010320A FRAME/SL,REMOTE-RADIO CONT.,HOOK-IN
PI1010085-01 MOTOR,HYDRAULIC

Assembly Name MOTOR, HYDRAULIC (SELF WINCH 51)

100



TM-ZF500 31093010320A FRAME/SL,REMOTE-RADIO CONT.,HOOK-IN

Pos No.	Parts No	Parts Name	Qty	Unit	Technical Data	Serial No (Start)	Serial No (End)	Rema
13	36662185010	KEY (FEATHER)	1					
40	36662415020	SEAL KIT	1					
50	36663100000	MOTOR,HYDRAULIC (WINCH)	1					

TM-ZF500 31093010320A FRAME/SL,REMOTE-RADIO CONT.,HOOK-IN

Pos No.	Parts No	Parts Name	Qty	Unit	Technical Data	Serial No (Start)	Serial No (End)
3	91001101100	O-RING	1		1A P11		
4	91411001100	RING,BACKUP	1				
6	91001101800	O-RING	1		1A P18		
12	91001101400	O-RING	2		1A P14		
13	91002801000	O-RING	2		1B P10		
50	36604060000	VALVE,COUNTERBALANCE (ELEVATING)	1				

TM-ZF500 31093010320A FRAME/SL,REMOTE-RADIO CONT.,HOOK-IN

Pos No.	Parts No	Parts Name	Qty	Unit	Technical Data	Serial No (Start)	Serial No (End)	Remarks
4	36671025020	GASKET	1					
10	36672590000	FILTER,OIL (CARTRIDGE)	1					

TM-ZF500 31093010320A FRAME/SL,REMOTE-RADIO CONT.,HOOK-IN

Pos No.	Parts No	Parts Name	Qty	Unit	Technical Data	Serial No (Start)	Serial No (End)
1	36683370000	METER,LOAD (3.2TON KUSABA/ENGLISH)	1				

CLICK HERE TO **DOWNLOAD** THE COMPLETE MANUAL

- Thank you very much for reading the preview of the manual.
- You can download the complete manual from: www.heydownloads.com by clicking the link below



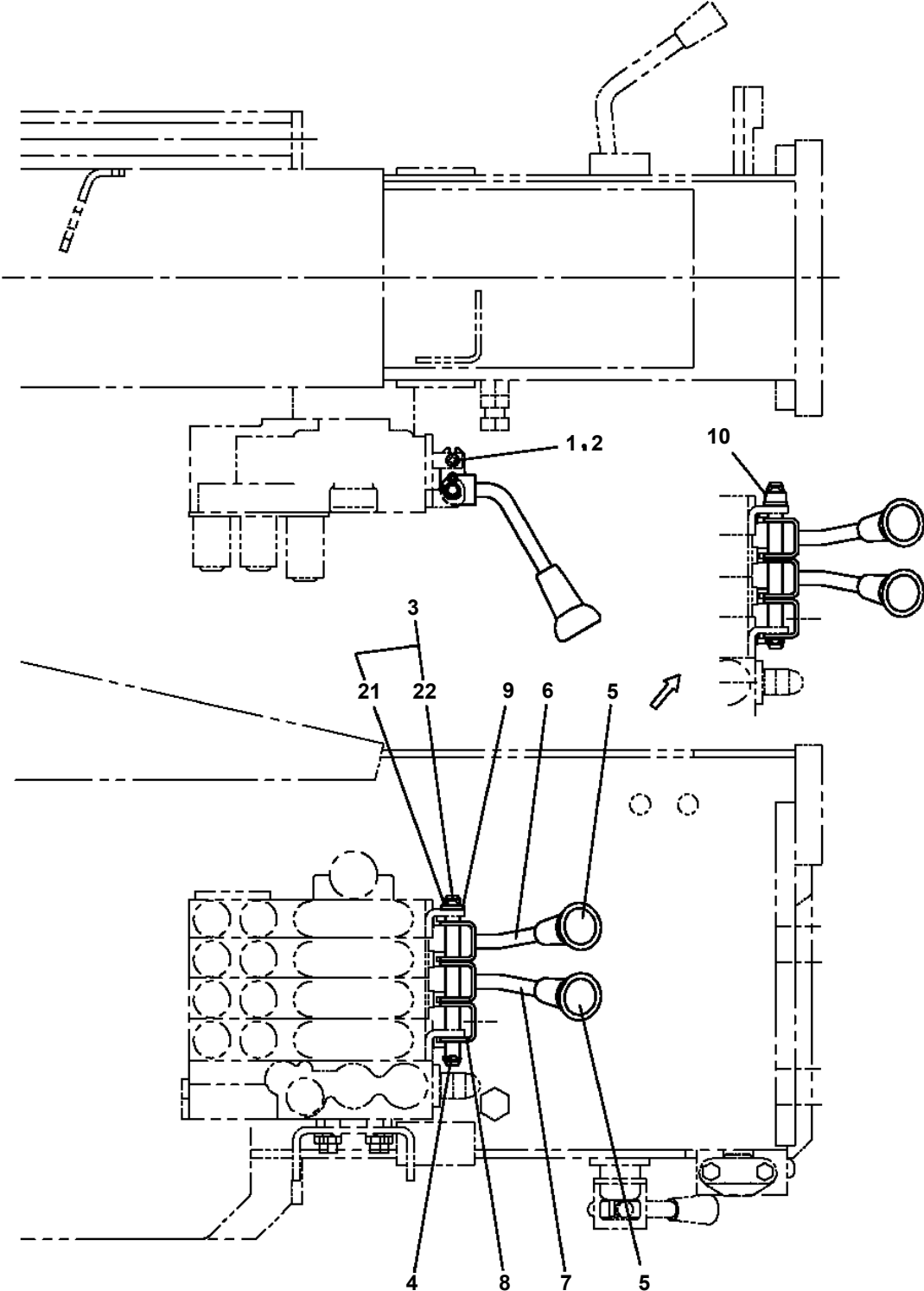
- Please note: If there is no response to CLICKING the link, please download this PDF first and then click on it.

CLICK HERE TO **DOWNLOAD** THE COMPLETE MANUAL

TM-ZF500 31093010320A FRAME/SL,REMOTE-RADIO CONT.,HOOK-IN

Pos No.	Parts No	Parts Name	Qty	Unit	Technical Data	Serial No (Start)	Serial No (End)	Remarks	F
1	31622260100	FRAME ASSY	1						
2	82459103000	NIPPLE,GREASE	1		C-PT1/8				
3	82400000459	CAP	1						
4	31621022000	FRAME	1						
5	37000562190	PLATE	1						
6	80601111100	RING,RITAINING	1		S110				
7	90203201600	NUT	2		M16				
8	90101216045	BOLT	2		M16X45				
9	90171108018	BOLT	8		M8X18				
10	90303070801	WASHER,PLAIN	16		8				
11	90302040801	WASHER,SPRING	16		8				
12	31622042200	SPACER	4						
13	31622042300	SHIM	20		T=0.5		EH2453		
	31622042300	SHIM	8		T=0.5	EH2454			
14	90101208012	BOLT	8		M8X12		EH2490		
	90101208014	BOLT	8		M8X14	EH2491			
15	82466003005	INSULATOR	4						
16	31621962100	SUPPORT	4						
17	31621962200	PLATE	12		T=0.5				
18	37000161010	PIN	2						
19	80530000225	BEARING,BALL (KOYO)	4				EW9477		
	31620582020	BEARING,BALL (KOYO)	4			EW9478			
20	37000309980	SPACER	2		L=60				
21	19114207000	KNOB (BLACK)	2						
22	31622260200	LEVER	1						
23	37000130970	PIN	2		L=24				
24	80136320010	PIN,SPLIT	2		2X10				
25	31622110300	PIN	2						
26	37001200720	SPRING	2						
27	82400000470	LEVEL	1						
28	80183306016	SCREW,MACHINE	1		M6X16				
29	90302040601	WASHER,SPRING	1		6				
30	90303070601	WASHER,PLAIN	1		6				
31	31622260300	LEVER	1						
33	31622202200	SHIM	4		T=1.6	EH2454			
48	31621961230	SUPPORT	2				EH4562		
	31621961290	SUPPORT	2			EH4563			

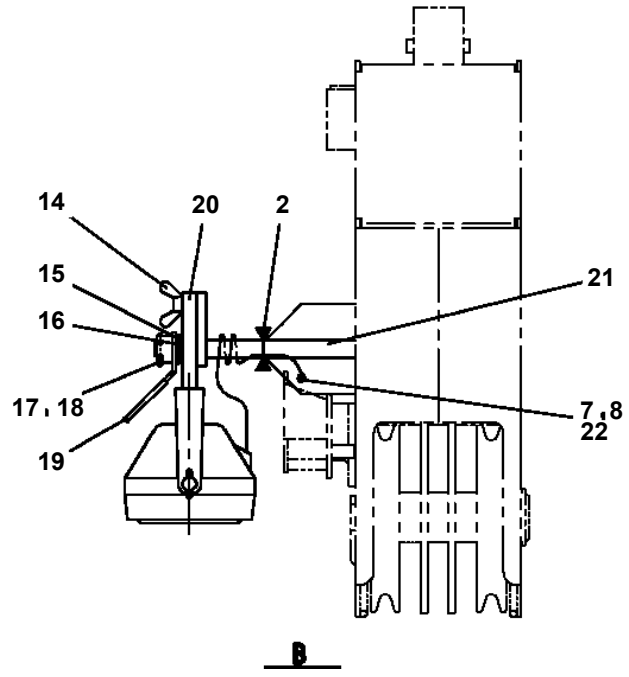
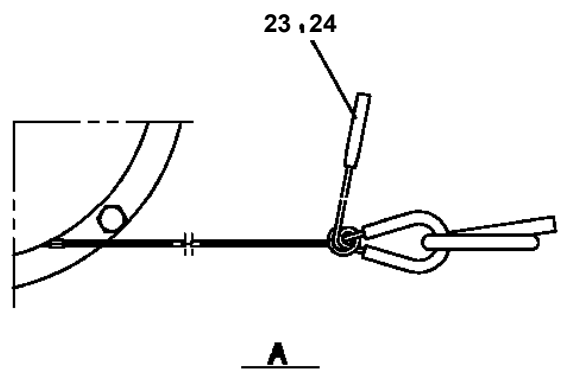
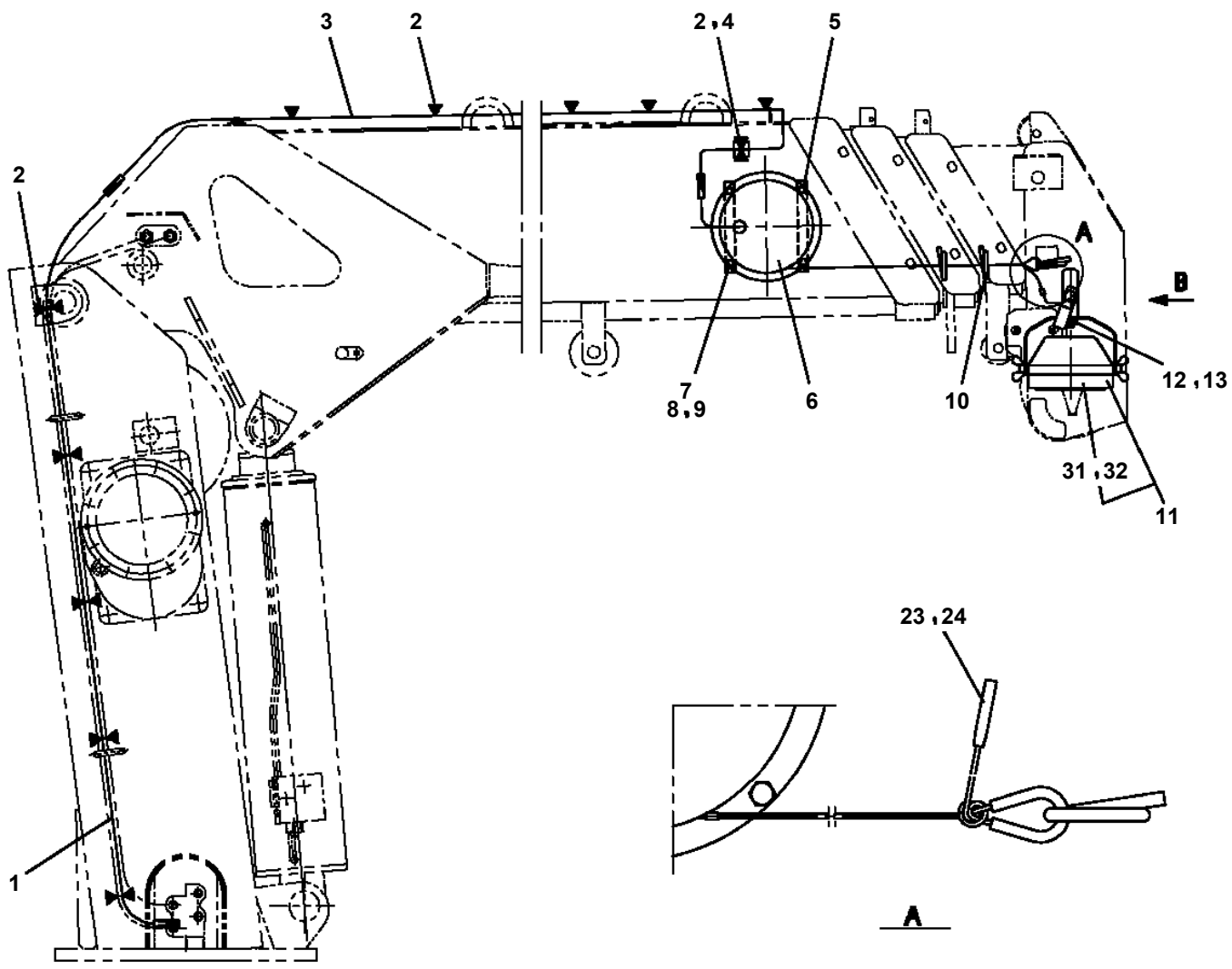
TM-ZF500 31093010320A FRAME/SL,REMOTE-RADIO CONT.,HOOK-IN
PL1010595-02 OPE.ASSY,CONT.VALVE (WINCH)



TM-ZF500 31093010320A FRAME/SL,REMOTE-RADIO CONT.,HOOK-IN

Pos No.	Parts No	Parts Name	Qty	Unit	Technical Data	Serial No (Start)	Serial No (End)	Remarks	Pages
1	31651762300	HARNESS	1						
2	80192483010	SCREW,MACHINE	4		M3X10				
3	82100002490	CAP	1						
4	82401600510	CLAMP	1		10				
5	91810132530	FASTENER	6						
6	31651760800	PLATE,CAUTION	1						
13	82100002478	CAP	1						

**TM-ZF500 31093010320A FRAME/SL,REMOTE-RADIO CONT.,HOOK-IN
PN1011426-02 ELEC.ASSY (UPPER,LAMP/BOOM)**



TM-ZF500 31093010320A FRAME/SL,REMOTE-RADIO CONT.,HOOK-IN

Pos No.	Parts No	Parts Name	Qty	Unit	Technical Data	Serial No (Start)	Serial No (End)
1	90101206075	BOLT	4		M6X75		
2	90302040601	WASHER,SPRING	31		6		EH4036
	90302040601	WASHER,SPRING	30		6	EH4037	EH4307
	90302040601	WASHER,SPRING	23		6	EH4308	EH5984
	90302040601	WASHER,SPRING	19		6	EH5985	
3	90303070601	WASHER,PLAIN	27		6		EH4036
	90303070601	WASHER,PLAIN	26		6	EH4037	EH4307
	90303070601	WASHER,PLAIN	19		6	EH4308	
4	31651760300	COVER	1				
5	31651760100	HARNESS	1				
6	82401601002	CLAMP	14				
7	91810130240	FASTENER	32				EH4036
	91810130240	FASTENER	28			EH4037	EH4307
	91810130240	FASTENER	35			EH4308	EH5508
	91810130240	FASTENER	34			EH5509	
9	90101208014	BOLT	8		M8X14		
10	90302040801	WASHER,SPRING	12		8		
11	31651760020	COVER	2				EH4036
12	82100002018	CLAMP	5		WR35		EH4036
	82100002017	CLAMP	4		WR30	EH4037	EH4307
	91850100802	CLAMP	7			EH4308	
13	31651760200	HARNESS	1				EH4036
	31652480100	HARNESS	1			EH4037	
15	31652160100	HARNESS	1		L=1400		
16	31651760700	ALARM ASSY	1				
17	82100002051	CLAMP	1		WS-A55		EH4036
18	31651693000	SUPPORT	2				EH5984
20	90201200600	NUT	19		M6		EH1894
	90201200600	NUT	15		M6	EH1895	EH4036
	90201200600	NUT	14		M6	EH4037	EH4307
	90201200600	NUT	7		M6	EH4308	EH5984
	90201200600	NUT	3		M6	EH5985	
21	31651760500	COVER	2				
22	80192486014	SCREW,MACHINE (WITH WASHER)	8		M6X14		
23	31651760800	PLATE,CAUTION	2				
24	90101206010	BOLT	14		M6X1.0		
25	91810130250	FASTENER	2				EH4036
	91810130250	FASTENER	6			EH4037	
26	31651760400	COVER	2				
27	90303070801	WASHER,PLAIN	7		8		
28	82401600510	CLAMP	1		10		
29	31652171000	SWITCH ASSY (RIGHT)	1				
30	90101208012	BOLT	4		M8X12		
31	31651771800	COVER	1				
32	31652172000	SWITCH ASSY (LEFT)	1				
33	31652170100	HARNESS	1				EH3566
	31652170101	HARNESS	1			EH3567	
34	90201200800	NUT	2		M8		EH1257
36	82100002006	CLAMP	3		WR10		EH4307
37	31652170600	COVER	1				
38	37000564360	PLATE	2			EH1895	EH5984
41	31651761100	PANEL	2				
42	82100002596	RELAY	3				
44	31651761300	PLATE,NAME	1				
45	80192486010	SCREW,MACHINE	4		M6X10		
46	82197600101	CAP (BLACK)	5				
52	31651762500	SWITCH ASSY (GREEN:PANASONIC)	1				
54	31651762200	PLATE,NAME	1				
55	82197518119	CAP (PLUS ONE MFG./BLACK)	6				
	82197518114	CAP (MATSUSHITA/BLACK)	6				
57	31651762300	HARNESS	1				
60	31651762400	COVER	1				
62	80192483010	SCREW,MACHINE	4		M3X10		

TM-ZF500 31093010320A FRAME/SL,REMOTE-RADIO CONT.,HOOK-IN

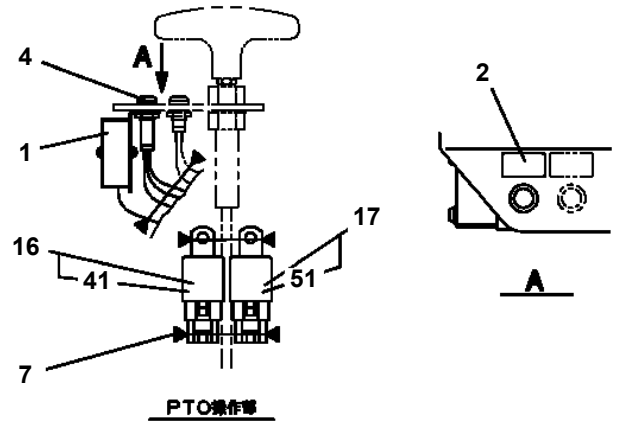
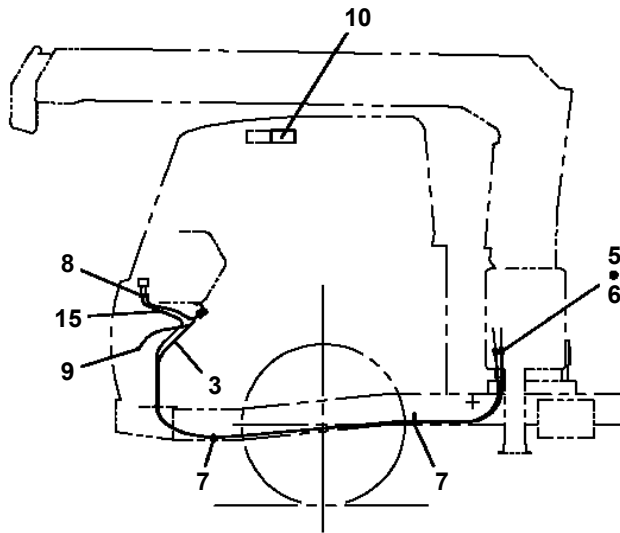
Pos No.	Parts No	Parts Name	Qty	Unit	Technical Data	Serial No (Start)	Serial No (End)	Remark
2	31380292400	PLATE,NAME	1					
3	31380292500	HARNESS	1					
4	31380174000	LAMP ASSY (ASSY ONLY)	1					
5	82100000191	TERMINAL	1					
6	82100000183	INSULATOR	1					
7	91810130240	FASTENER	4					
8	82100002673	CONNECTOR (0.5-0.85,RED)	2					
9	82100001400	TERMINAL	2					
10	31380292700	PLATE,CAUTION	1					
11	31380292600	SUPPORT	1					
12	80172305020	SCREW,MACHINE	2		M5X20			
13	90302040501	WASHER,SPRING	2		5			
14	90303070501	WASHER,PLAIN	2		5			
21	31380172700	SUPPORT	1					
22	82197001312	SPACER	2					
23	80192483010	SCREW,MACHINE	4		M3X10			
24	31380292200	BUZZER ASSY	1					
25	90202200300	NUT	2		M3			
26	31380292300	SUPPORT	1					

TM-ZF500 31093010320A FRAME/SL,REMOTE-RADIO CONT.,HOOK-IN

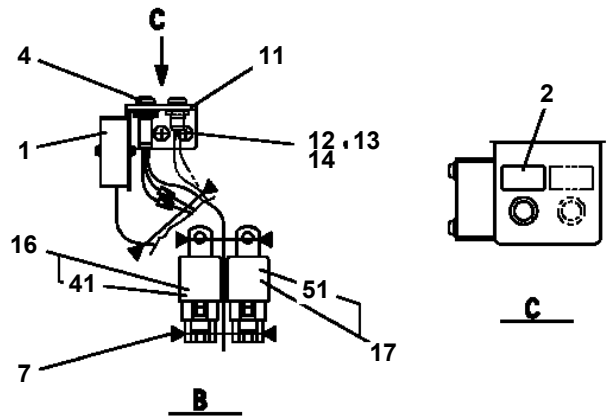
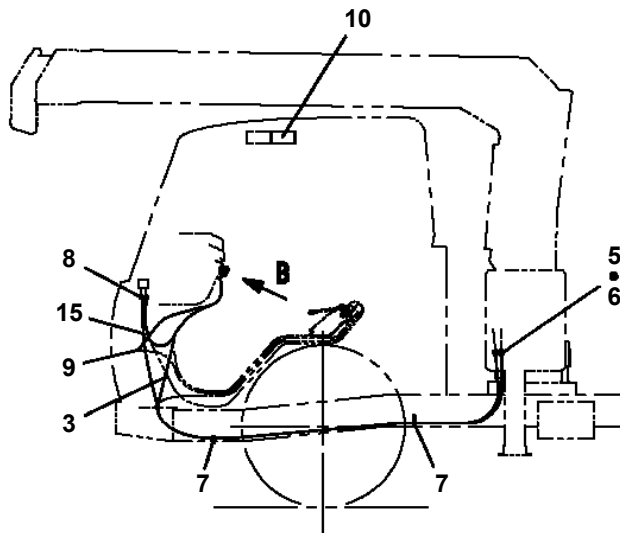
Pos No.	Parts No	Parts Name	Qty	Unit	Technical Data	Serial No (Start)	Serial No (End)	Remarks	Pages
1	82109902050	SWITCH,THERMO	1						
3	90101208012	BOLT	2		M8X12				
4	90302040801	WASHER,SPRING	2		8				
5	91810130240	FASTENER	10						
21	90101206014	BOLT	1		M6X14				
22	90302040601	WASHER,SPRING	2		6				
23	90201200600	NUT	1		M6				
24	90303070601	WASHER,PLAIN	2		6				
25	82100002596	RELAY	1						
26	31730363200	HARNESS	1						
27	31730363300	HARNESS	1						
28	31652830110	COVER	1						
29	31473460101	SWITCH ASSY	1						
30	90101206010	BOLT	1		M6X1.0				
31	82100000665	CAP (BLACK)	1						
32	31652172100	PANEL	1						
33	31730363500	PLATE,NAME	1						
41	82105410110	SWITCH,TOGGLE	1						
47	82100000745	FUSE	1		10A,6.5X30				
48	82100000688	HOLDER,FUSE	1						

**TM-ZF500 31093010320A FRAME/SL,REMOTE-RADIO CONT.,HOOK-IN
PN1012225-00 ELEC.ASSY**

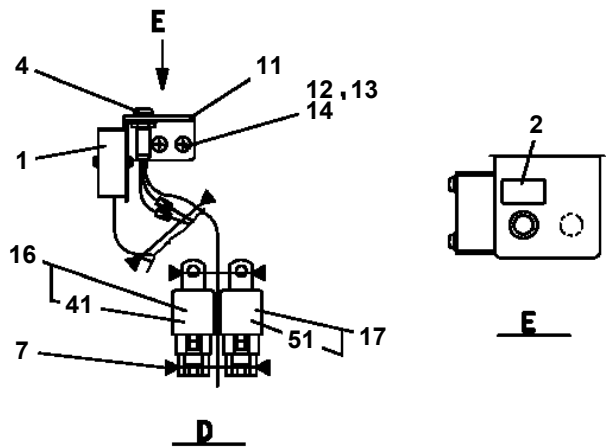
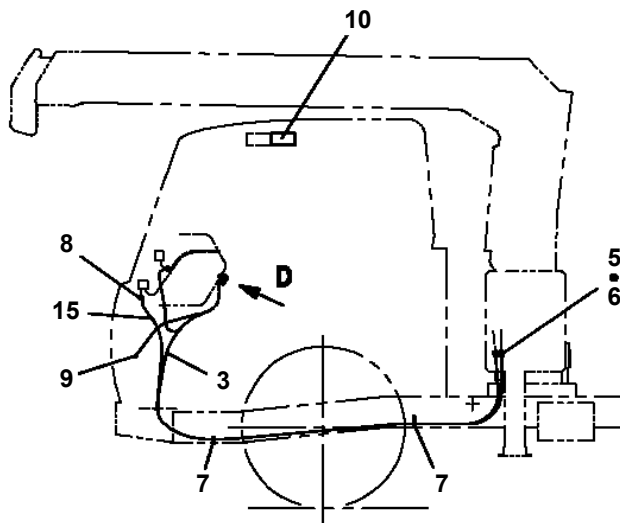
PTOレバーがハンドル機にある場合 (Aタイプ)



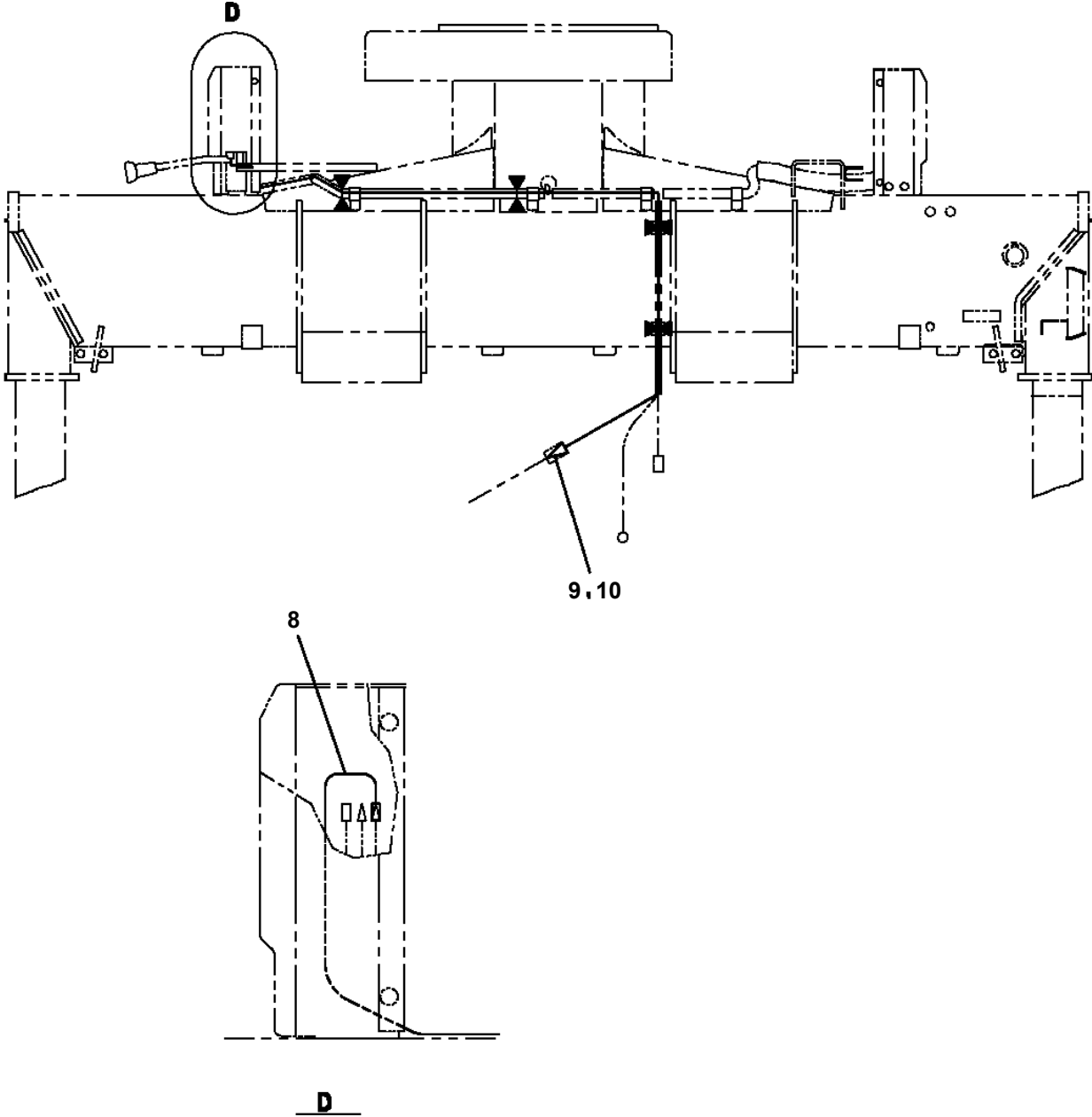
PTOレバーが座席機にある場合 (Bタイプ)



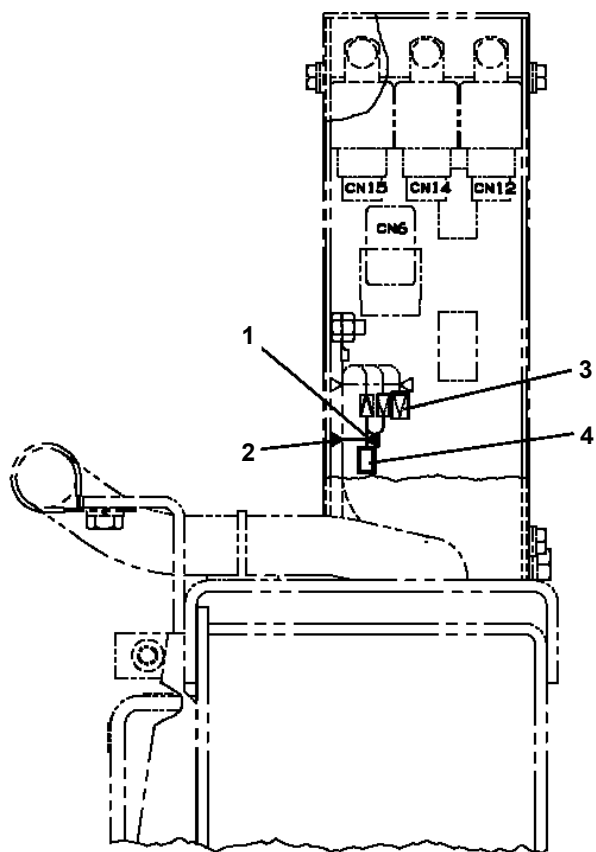
純正PTO付きの場合 (Cタイプ)



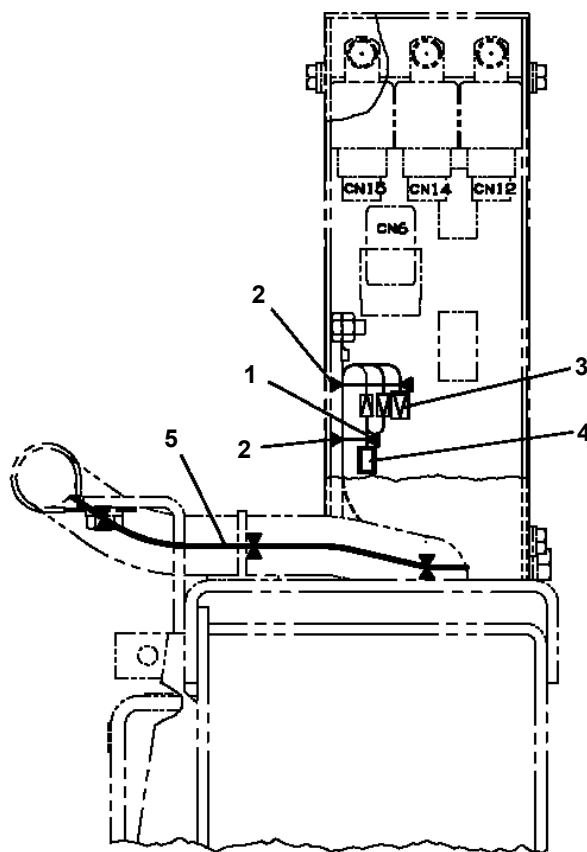
TM-ZF500 31093010320A FRAME/SL,REMOTE-RADIO CONT.,HOOK-IN
PN1012772-01 ELEC.ASSY (ALARM,UPPER)



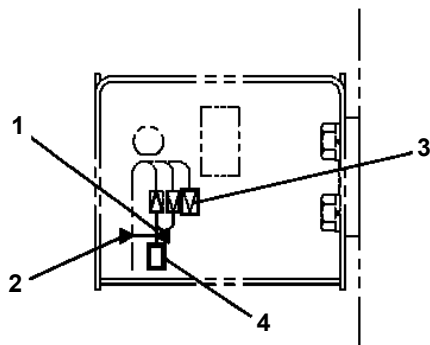
TM-ZF500 31093010320A FRAME/SL,REMOTE-RADIO CONT.,HOOK-IN
 PN1014042-00 ELEC.ASSY (SPARE HARNESS)



ZF230, ZF230W以外の場合



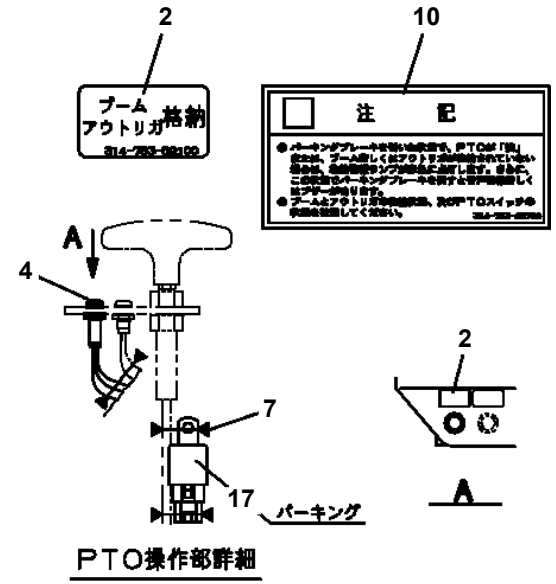
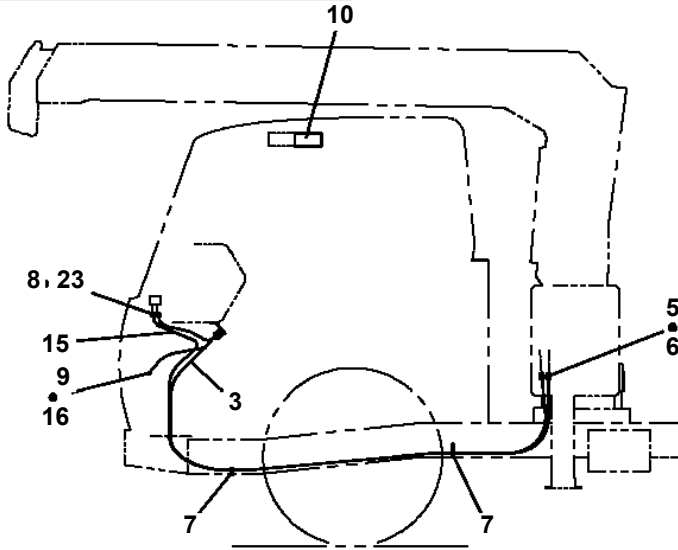
予備端子 (ギボシオス) のない場合



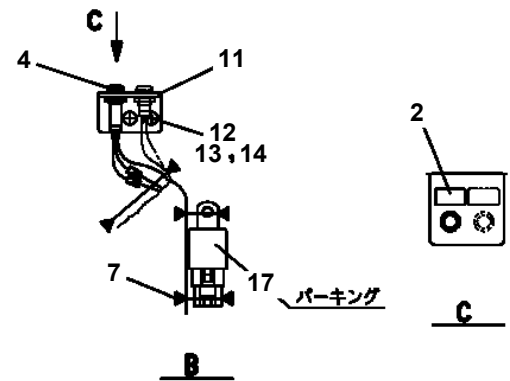
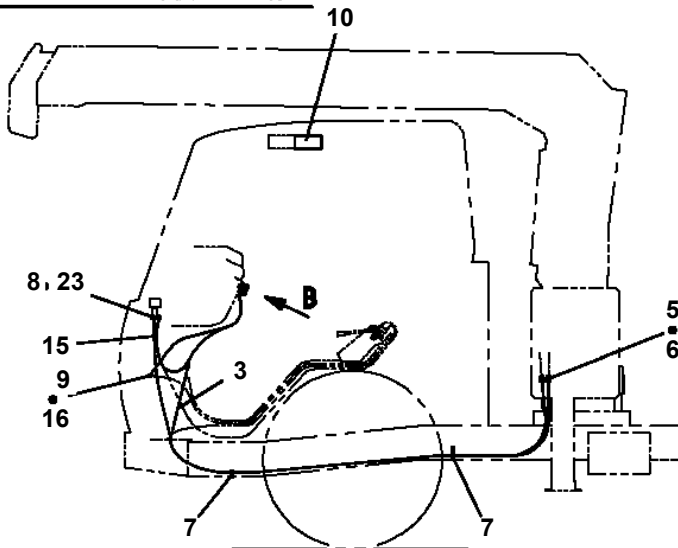
ZF230, ZF230Wの場合

TM-ZF500 31093010320A FRAME/SL,REMOTE-RADIO CONT.,HOOK-IN PN1014342-01 ELEC.ASSY (CARRIER)

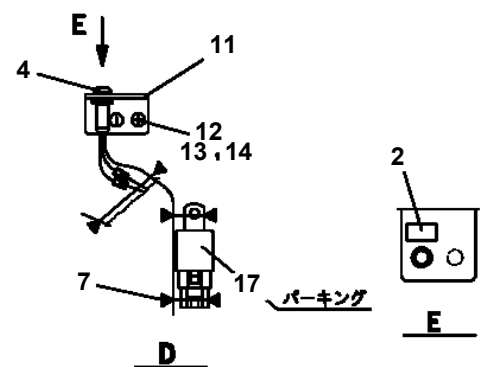
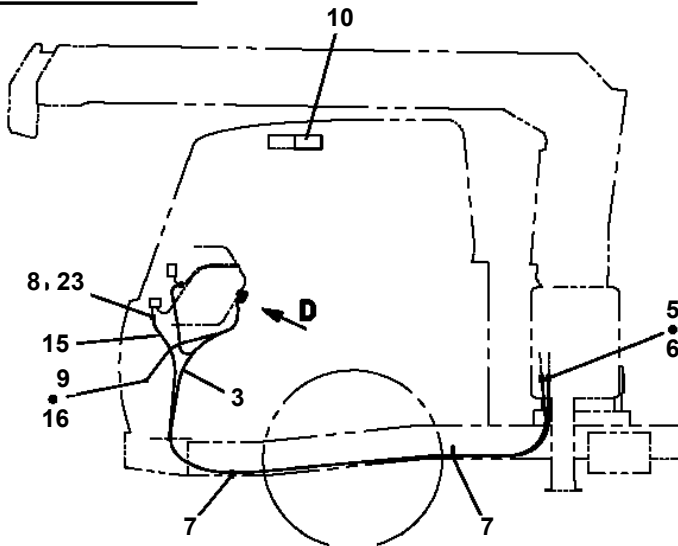
PTOレバーがハンドル横にある場合



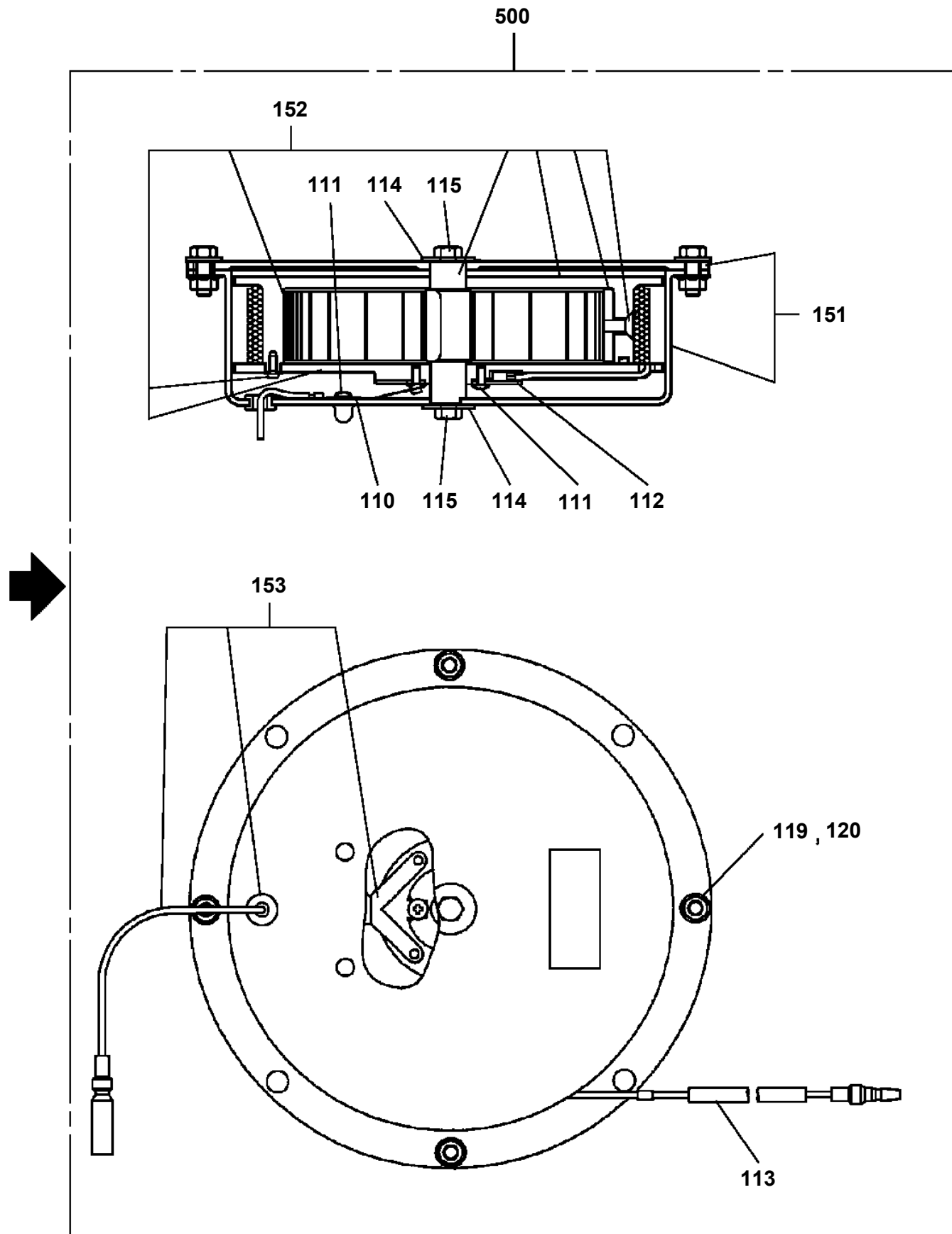
PTOレバーが座席横にある場合



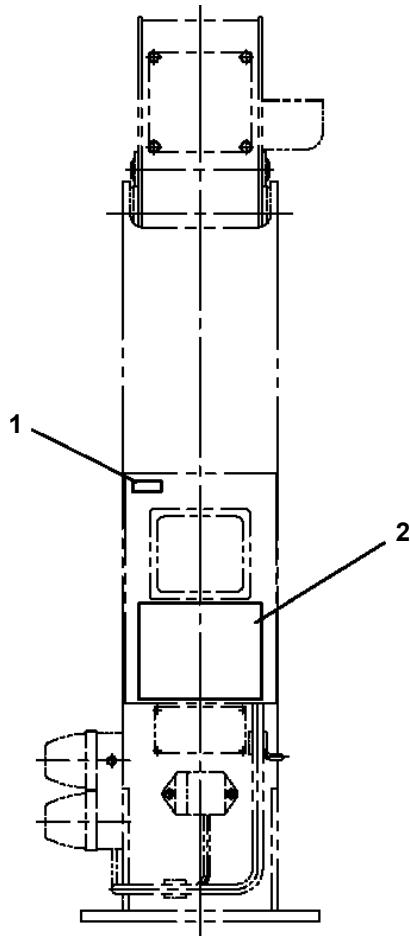
純正PTO付きの場合



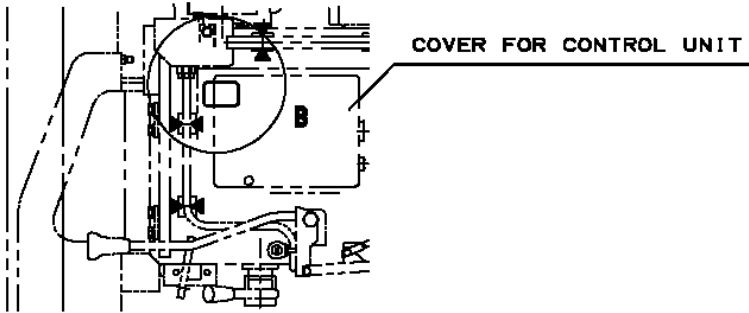
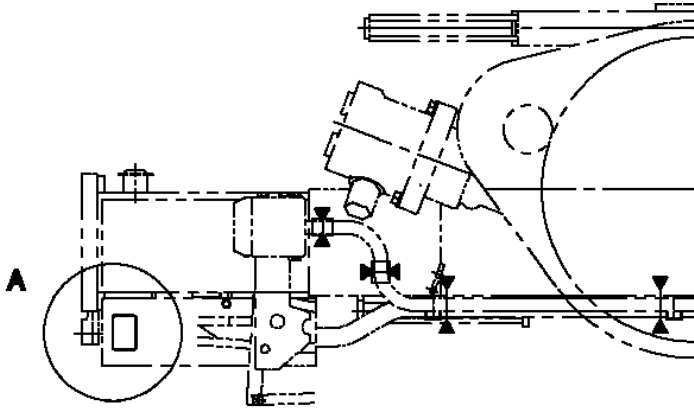
TM-ZF500 31093010320A FRAME/SL,REMOTE-RADIO CONT.,HOOK-IN
PN1350004-01 REEL,CORD



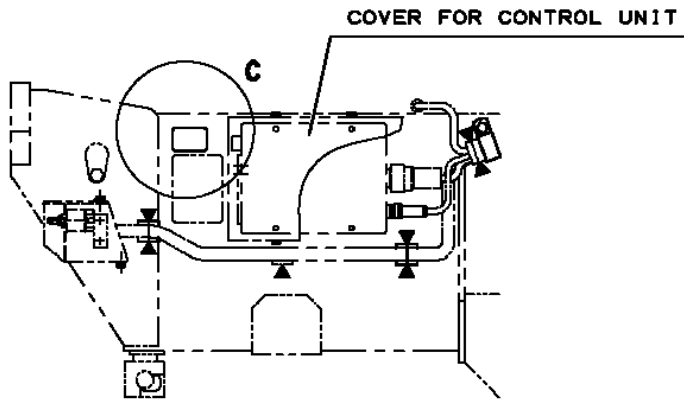
TM-ZF500 31093010320A FRAME/SL,REMOTE-RADIO CONT.,HOOK-IN
PO1012450-00 PLATE ASSY,NAME (AWL)



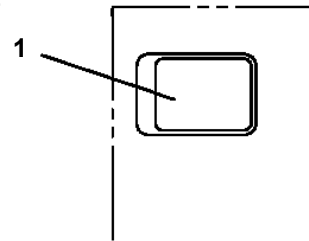
**TM-ZF500 31093010320A FRAME/SL,REMOTE-RADIO CONT.,HOOK-IN
PO1012650-00 PLATE ASSY,NAME (RADIO CONTROL)**



ZF500SLE, 500SLEH

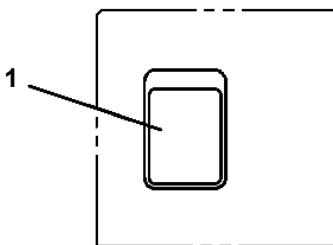


ZF580H, 580SLH

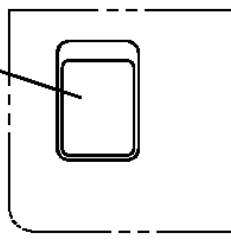


ZF500SLE, 500SLEH

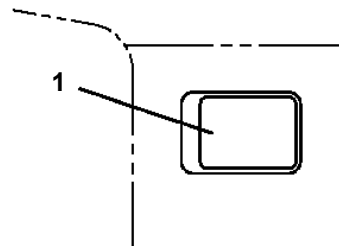
B



A



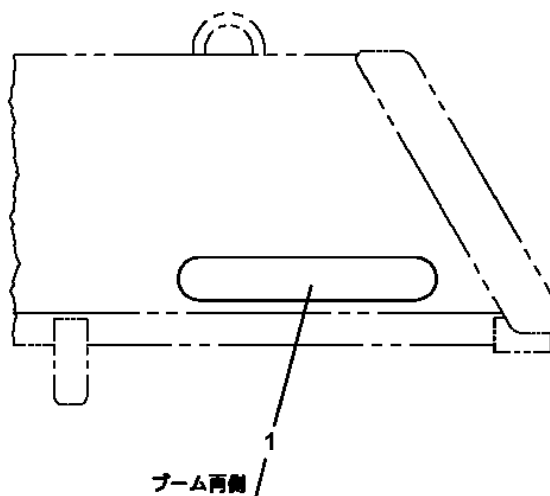
ZF 100, 200
ZF 230, 230H



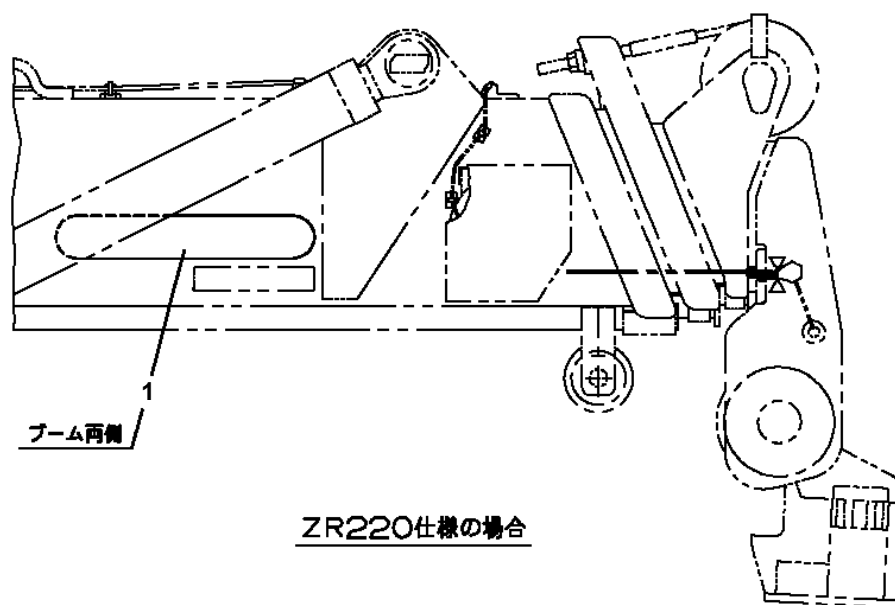
ZF580H, 580SLH

C

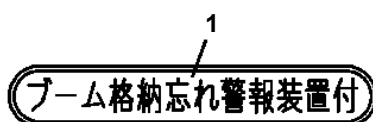
TM-ZF500 31093010320A FRAME/SL,REMOTE-RADIO CONT.,HOOK-IN
PO1014584-04 PLATE ASSY,NAME (BOOM,ELEV. STOWING FAILURE)



プレート、ネーム貼付位置は参考とする



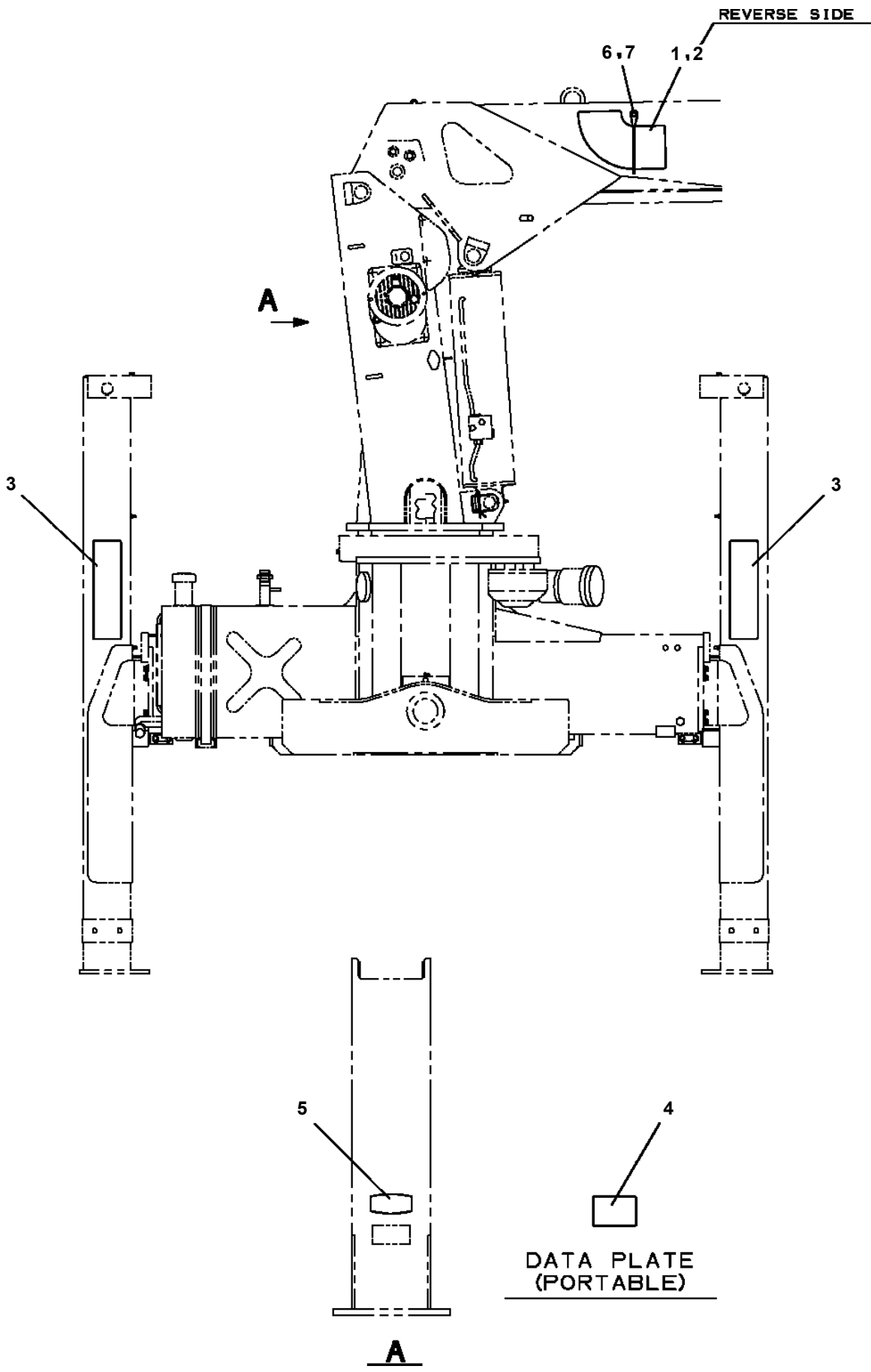
ZR220仕様の場合



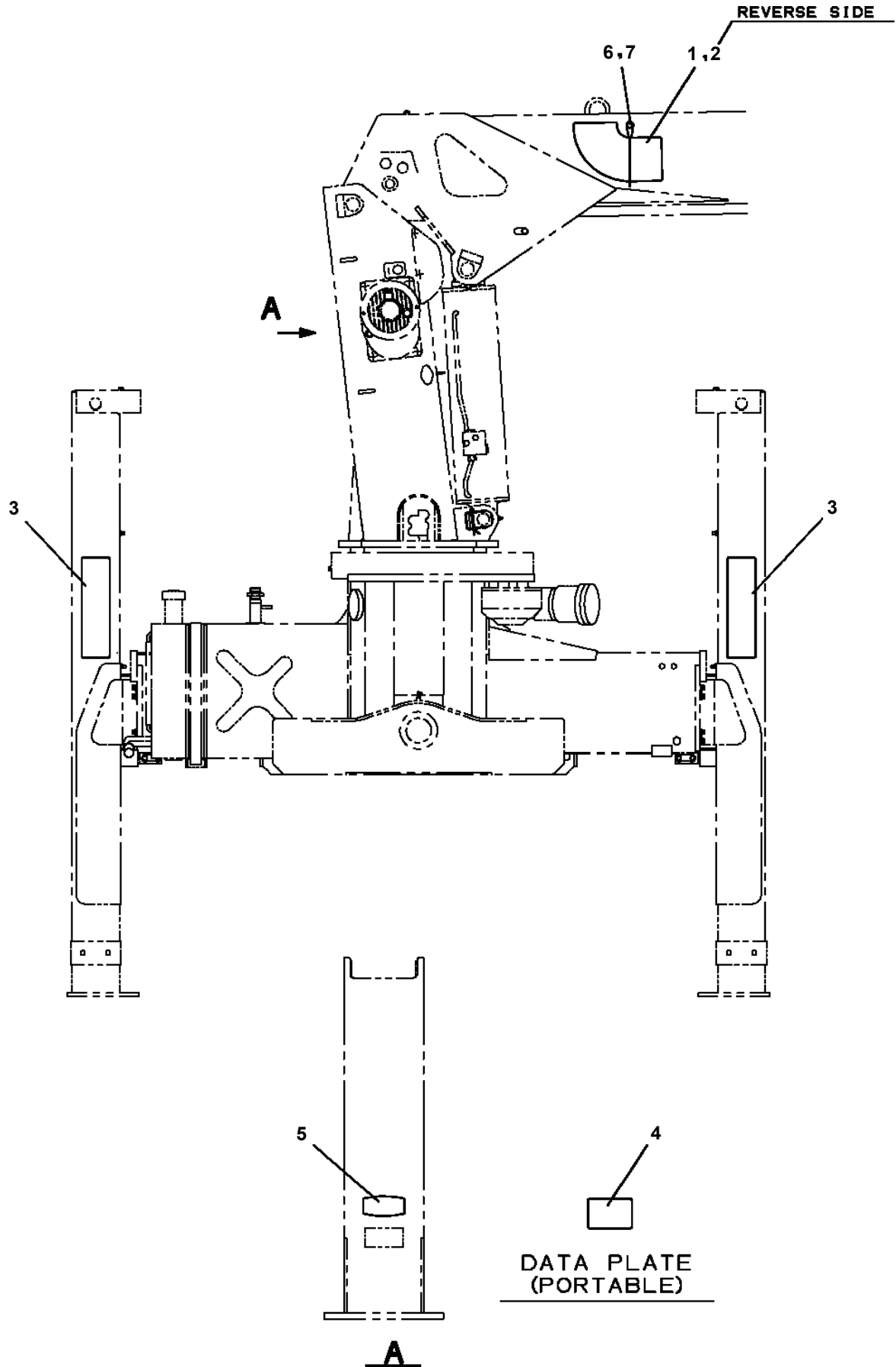
ブーム段数参考

THE BOOM SECTIONS IN THE ILLUSTRATION ARE FOR REFERENCE.

TM-ZF500 31093010320A FRAME/SL,REMOTE-RADIO CONT.,HOOK-IN
PO1070610-00 PERFORMANCE DATA (ZF503SL,6TON/JAPANESE)



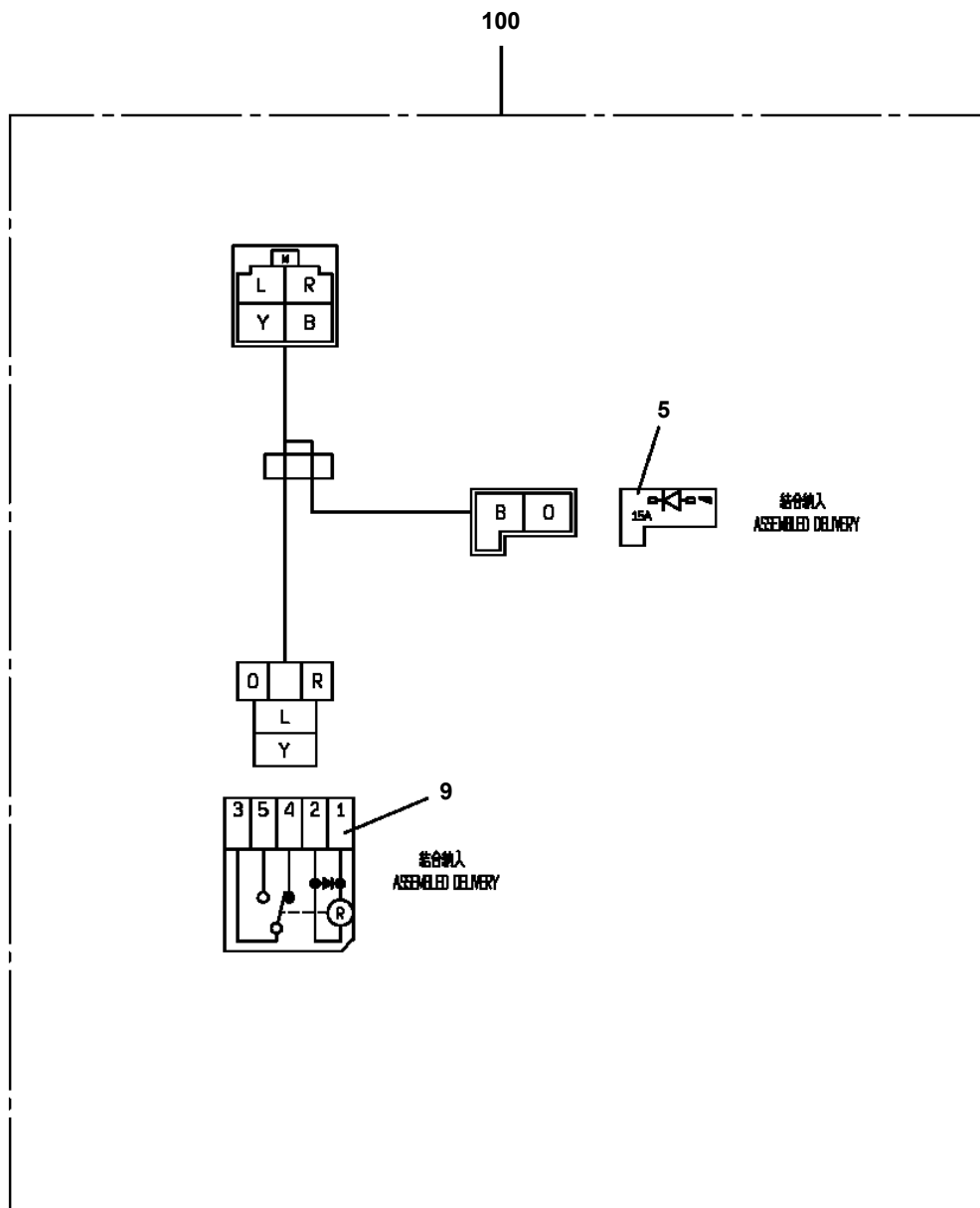
TM-ZF500 31093010320A FRAME/SL,REMOTE-RADIO CONT.,HOOK-IN
PO1070615-00 PERFORMANCE DATA (ZF505SL,8TON/JAPANESE)



**TM-ZF500 31093010320A FRAME/SL,REMOTE-RADIO CONT.,HOOK-IN
PP5150005-00 PARTS ASSY,RADIO CONTROLLER (KIT:LED/NACHI)**

指示番号 KEY NO.	パーツASSY,ラジコン(コウカンキット:LED/フジヨシセイバールフ) PARTS ASSY,RADIO CONTROLLER (KIT:LED/NACHI)
2	ハイセンASSY(フレームフ) ELEC.ASSY (FRAME)
3	ハイセンASSY(アンテナ) ELEC.ASSY (ANTENNA)
11	コントロールユニット CONTROL UNIT
12	アンテナ ANTENNA
13	スイッチボックス SWITCH BOX
14	ボックス,ストーイング BOX,STOWING

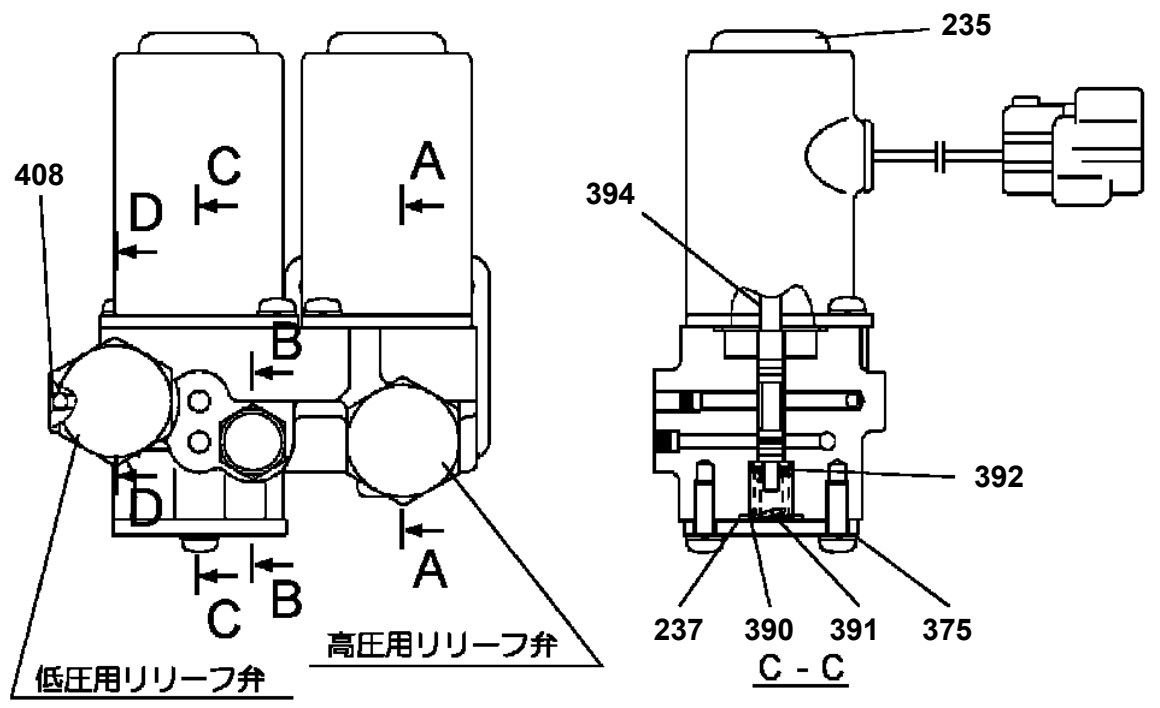
TM-ZF500 31093010320A FRAME/SL,REMOTE-RADIO CONT.,HOOK-IN
 PR5210001-00 RELAY (WITH HARNESS)



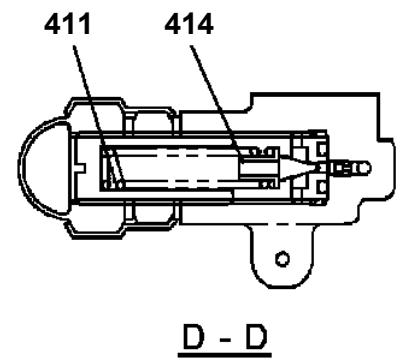
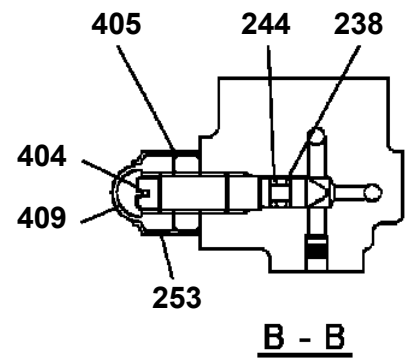
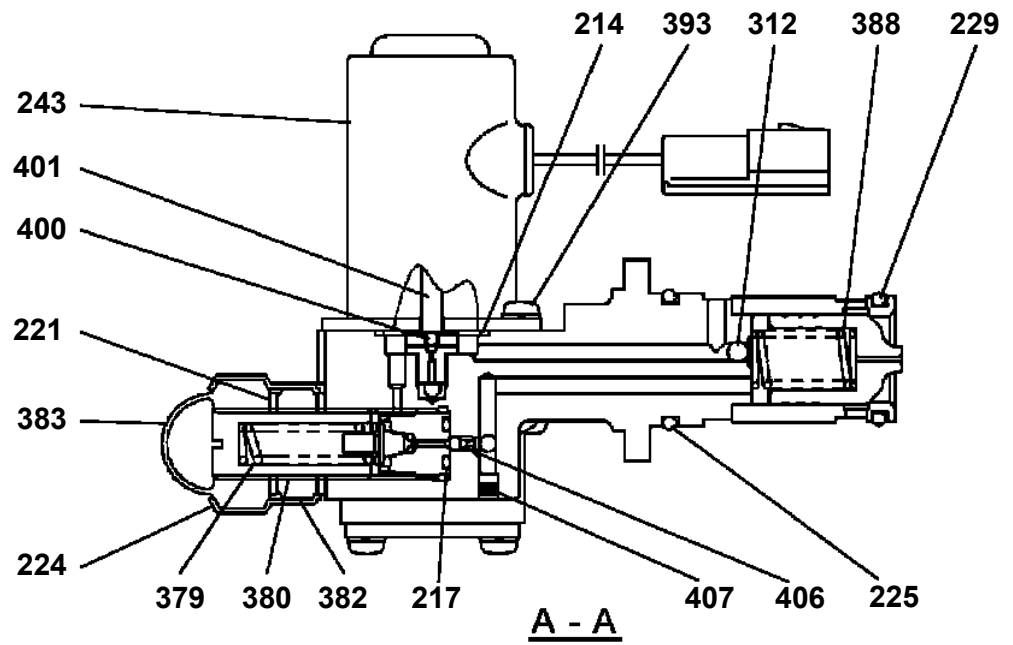
TM-ZF500 31093010320A FRAME/SL,REMOTE-RADIO CONT.,HOOK-IN
PV1010082-00 REMOTE CONTROL

指示番号 KEY NO.	リモート コントロール REMOTE CONTROL
2	ホ ^ク ツクス, スト ^ウ イング ^ク BOX, STOWING
3	ハイセンASSY ELEC. ASSY
11	コントロール ユニット CONTROL UNIT
12	スイッチ ホ ^ク ツクス SWITCH BOX

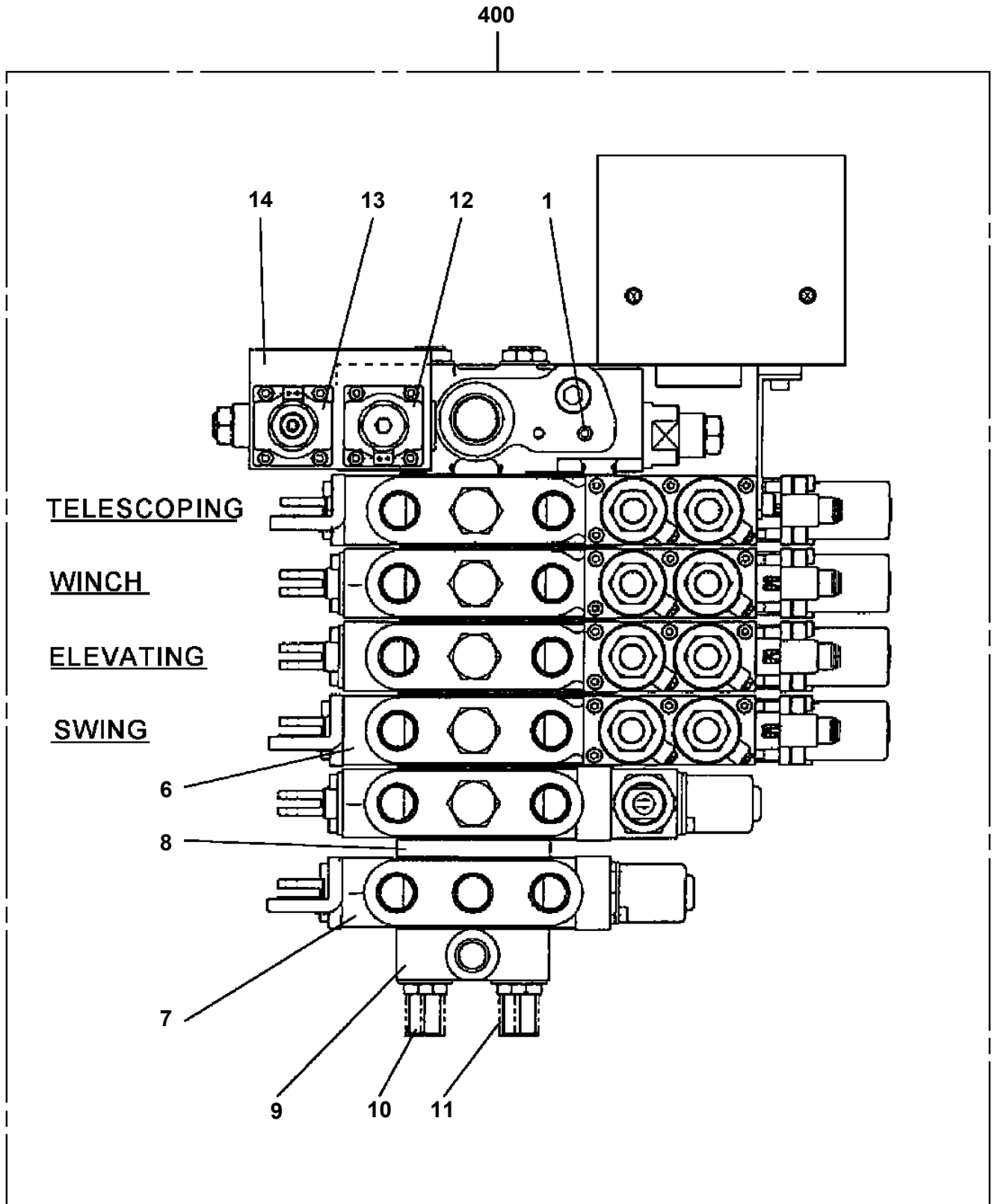
TM-ZF500 31093010320A FRAME/SL,REMOTE-RADIO CONT.,HOOK-IN
 PV1020107-06 VALVE,REMOTE CONTROL (SANWA)



18



TM-ZF500 31093010320A FRAME/SL,REMOTE-RADIO CONT.,HOOK-IN
 PV1020118-04 VALVE,REMOTE CONTROL (NACHI)

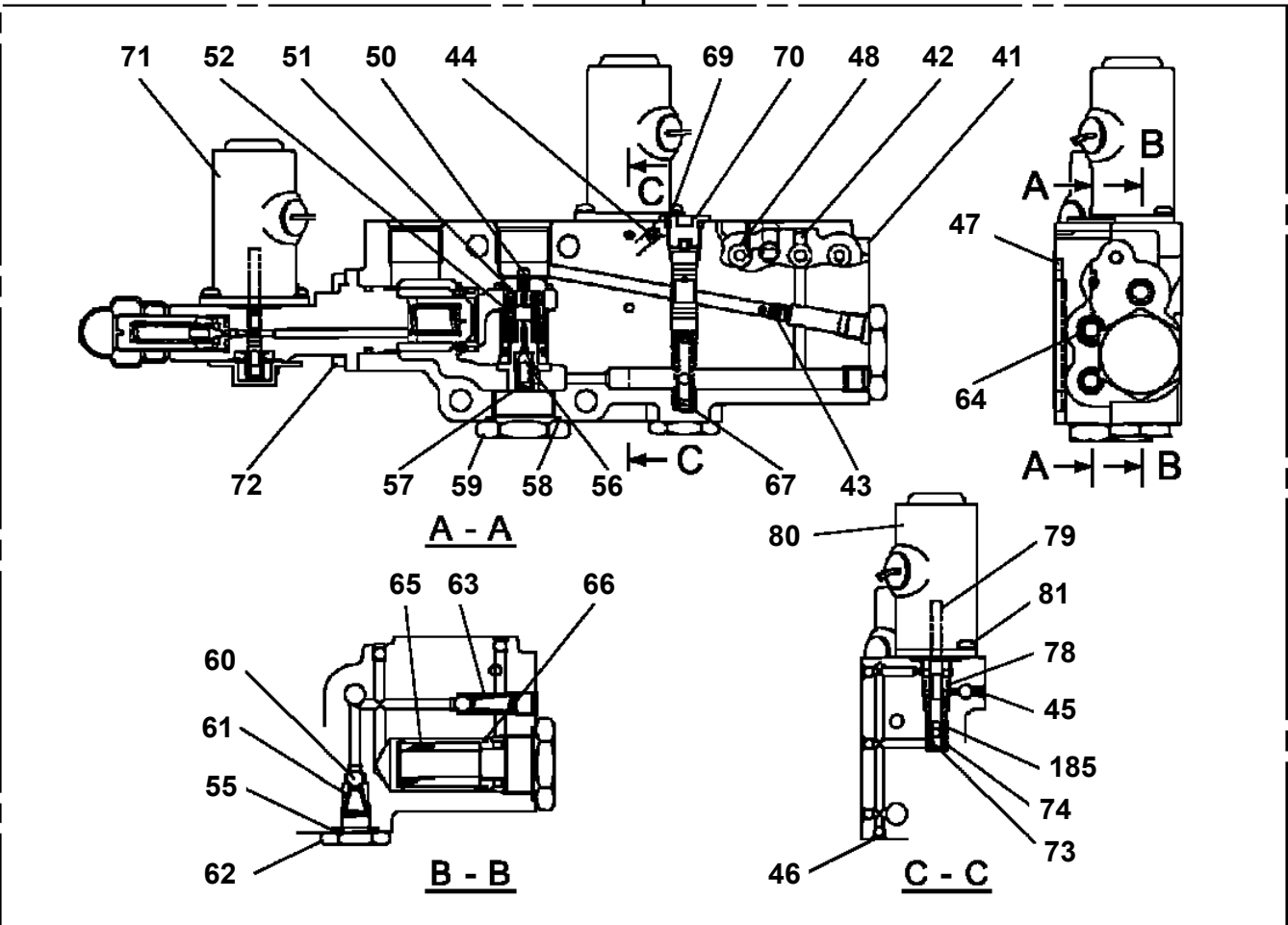


展開図有

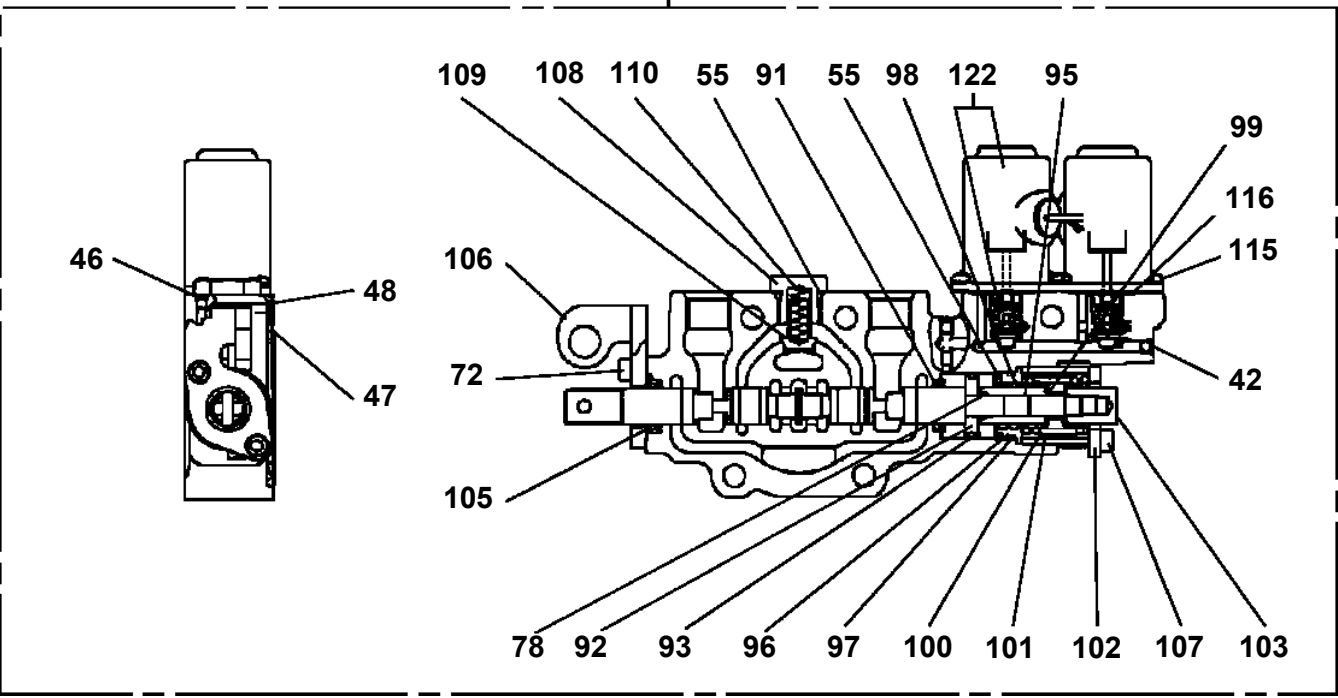
ILLUSTRATED BREAKDOWN NO.1,6,7,12,13,14

TM-ZF500 31093010320A FRAME/SL,REMOTE-RADIO CONT.,HOOK-IN
 PV1020163-02 VALVE,REMOTE CONTROL (SANWA)

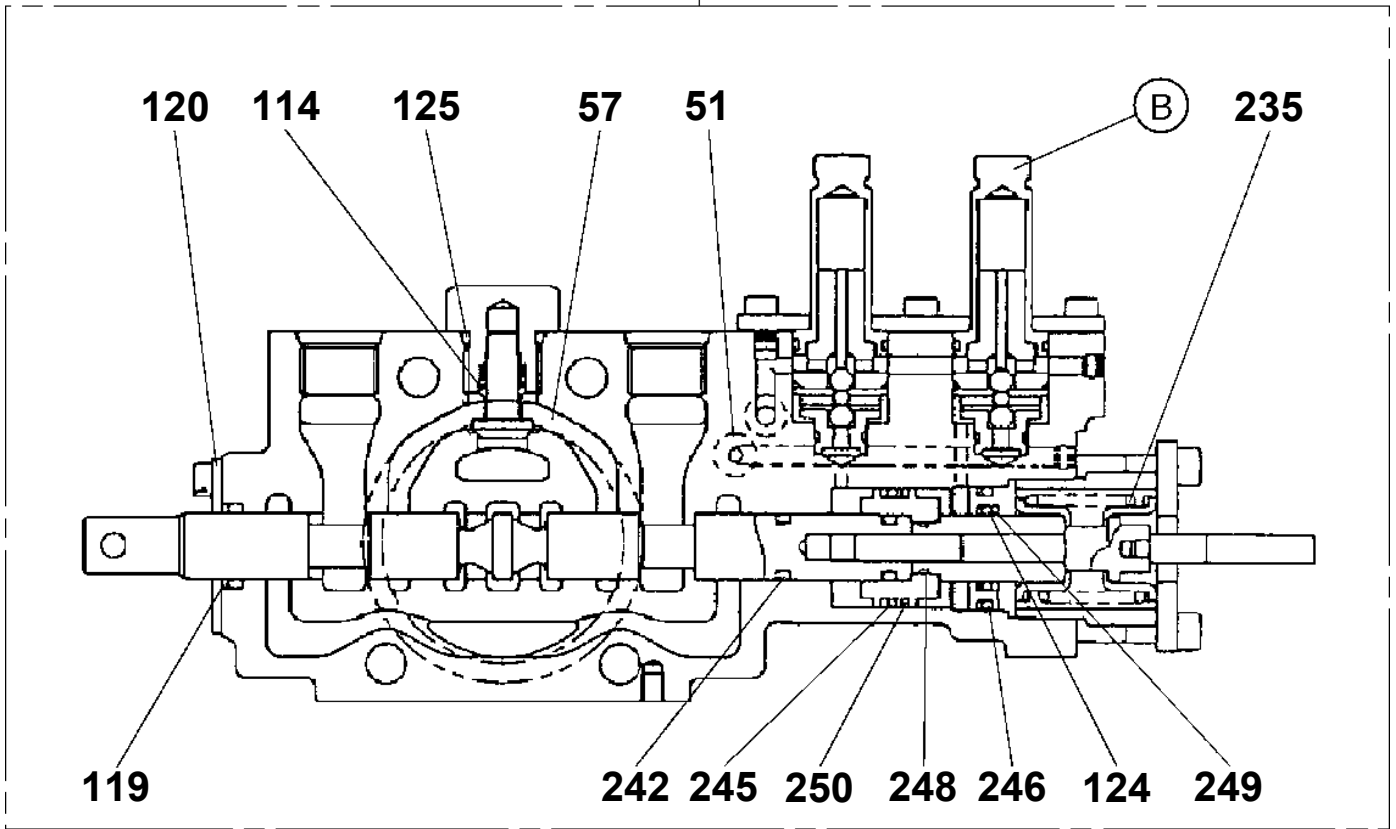
3



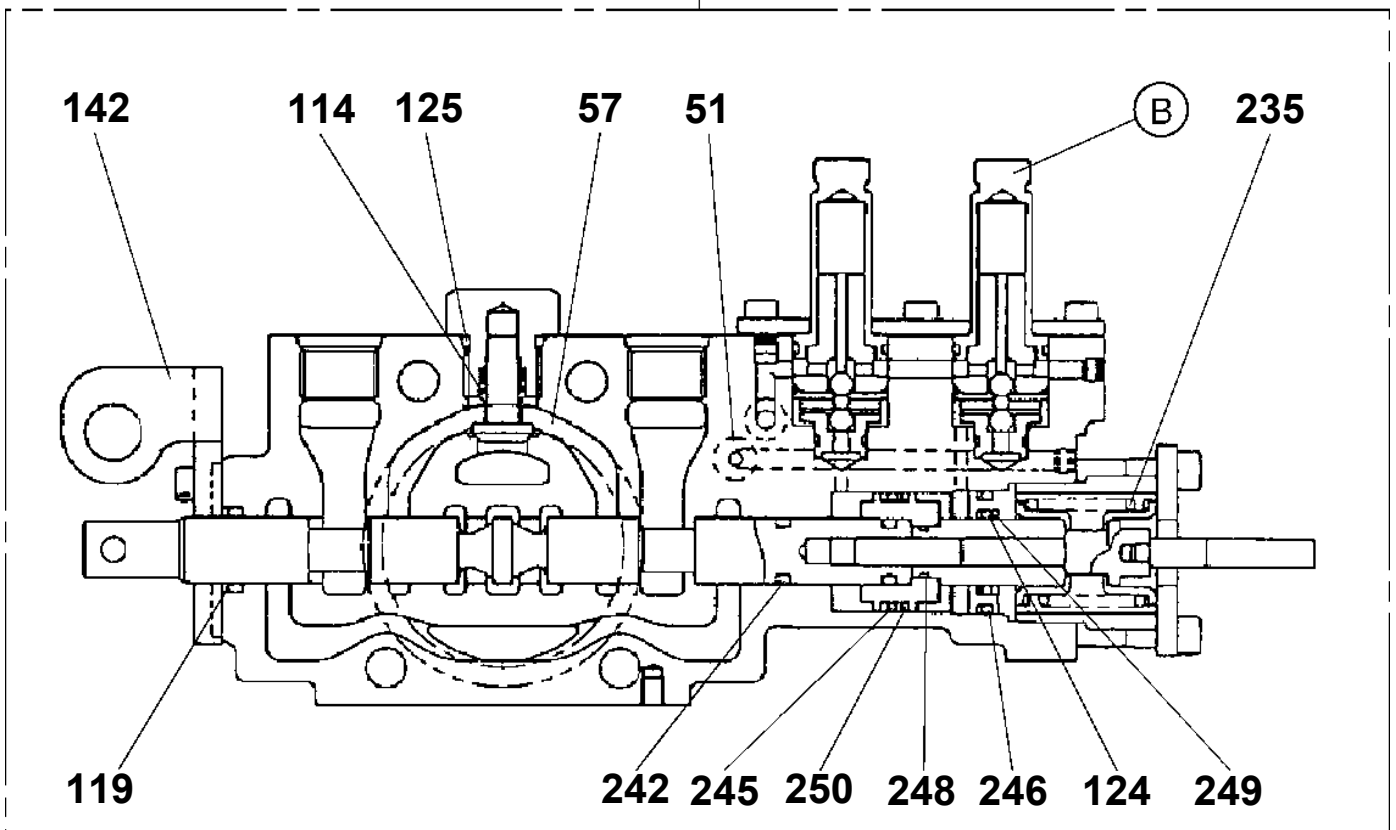
6



TM-ZF500 31093010320A FRAME/SL,REMOTE-RADIO CONT.,HOOK-IN
PV1020251-00 VALVE,REMOTE CONTROL
102103

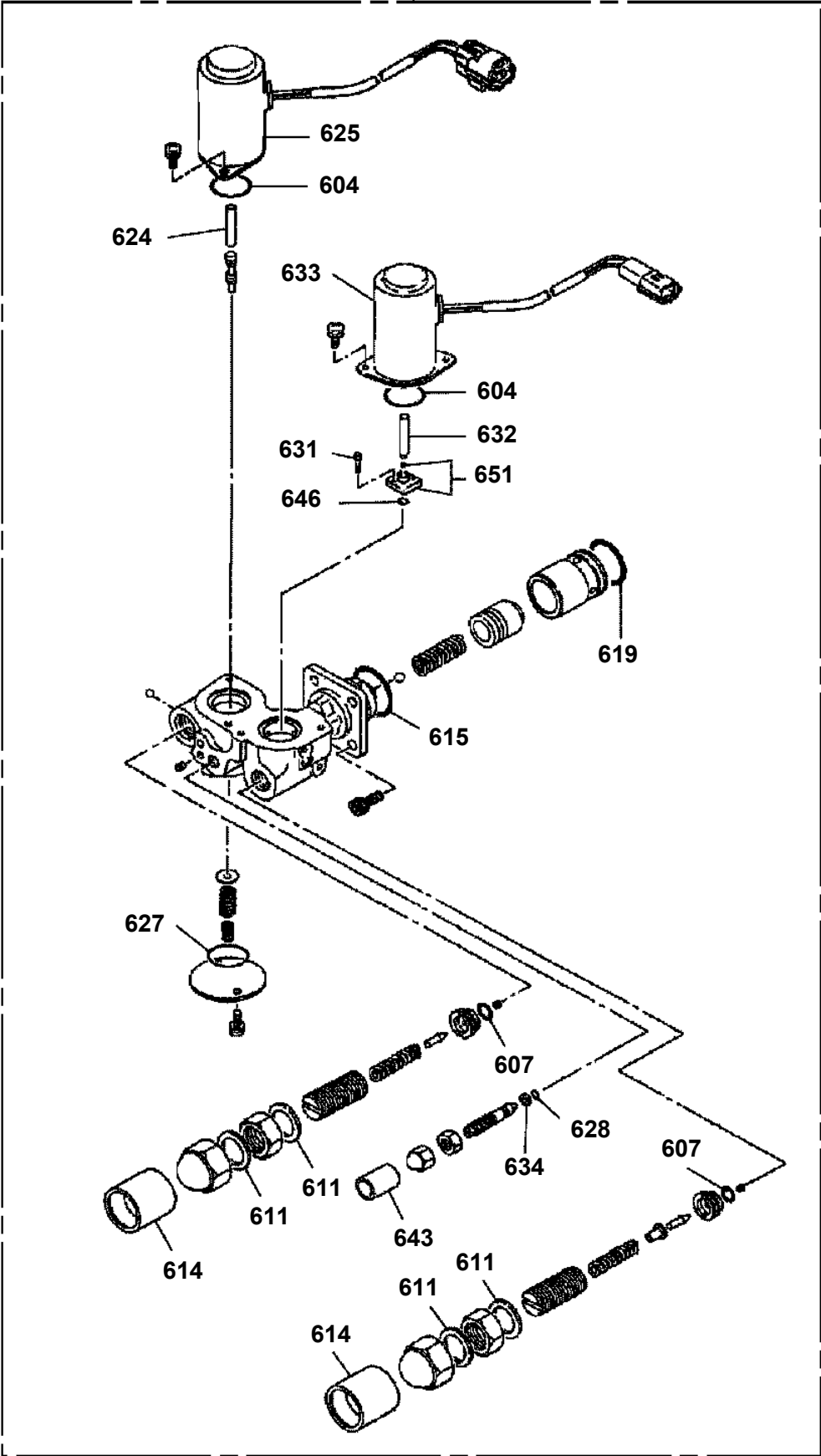


104



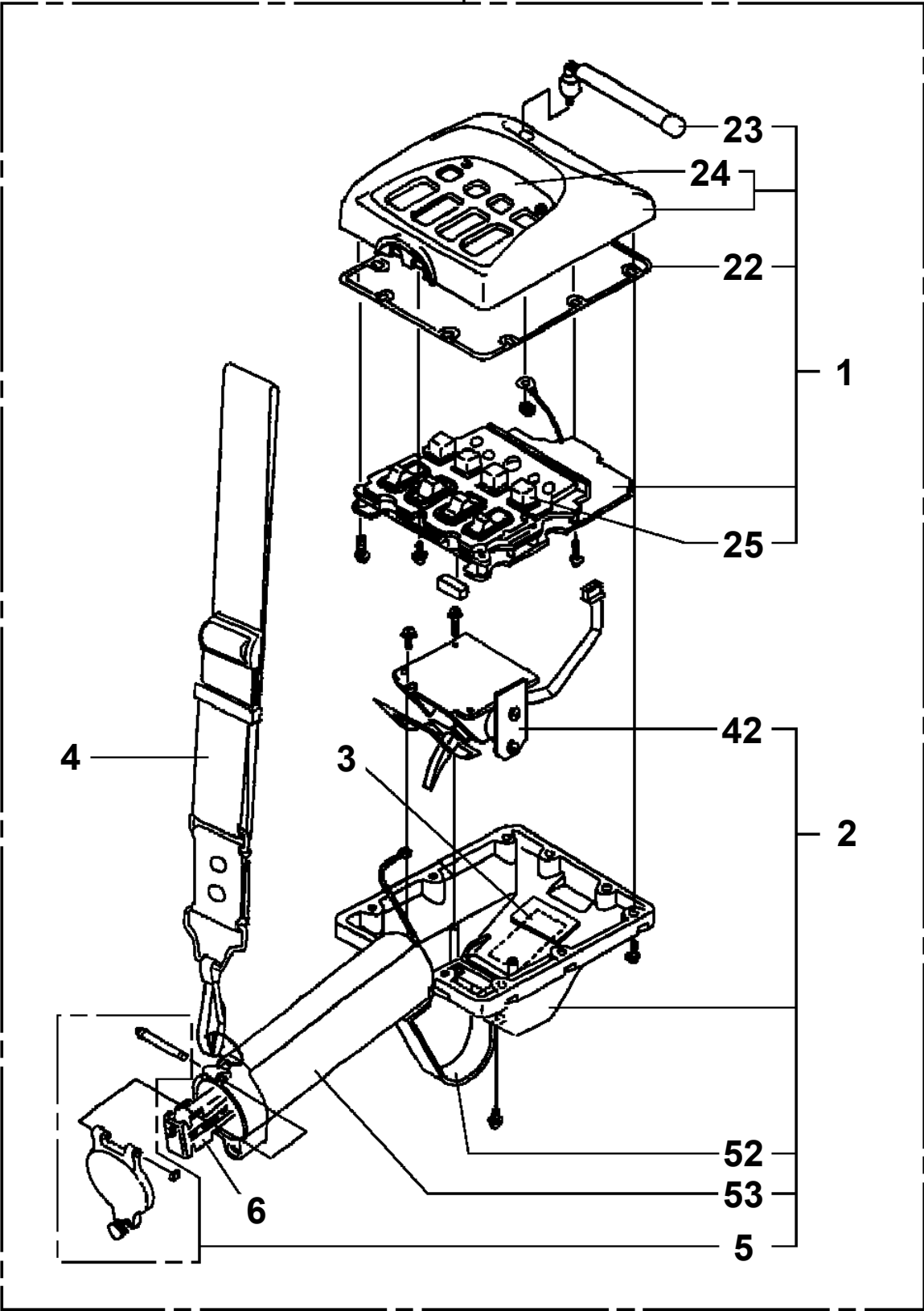
TM-ZF500 31093010320A FRAME/SL,REMOTE-RADIO CONT.,HOOK-IN
PV1020366-00 VALVE,REMOTE CONTROL

18



TM-ZF500 31093010320A FRAME/SL,REMOTE-RADIO CONT.,HOOK-IN
PV1030034-05 SWITCH BOX (RADIO CONTROL,TYPE-D)

100



TM-ZF500 31093010320A FRAME/SL,REMOTE-RADIO CONT.,HOOK-IN

Pos No.	Parts No	Parts Name	Qty	Unit	Technical Data	Serial No (Start)	Serial No (End)	Remarks	P
1	36801995021	CASE KIT (UPPER)	1						
2	36800565071	CASE KIT (LOWER)	1						
3	36800555081	PLATE,NAME (SEAL)	1						
4	36800095042	BELT ASSY	1						
5	36800565101	COVER (BATTERY)	1						
6	36800095031	CASE (BATTERY)	1						
22	36800095061	RING (CASE)	1						
23	36801995041	ANTENNA (FLEXIBLE)	1						
24	36800565151	PLATE,NAME	1						
25	36800565131	RUBBER (BOTTUN)	1						
42	36800565081	CASE ASSY (LEVER)	1						
52	36800295111	GUARD (HAND)	1						
53	36801995081	GRIP	1						
100	36801992001	SWITCH BOX (FUTABA)	1						

TM-ZF500 31093010320A FRAME/SL,REMOTE-RADIO CONT.,HOOK-IN

Pos No.	Parts No	Parts Name	Qty	Unit	Technical Data	Serial No (Start)	Serial
1	36801785010	CAP ASSY	1				
50	36801781000	SWITCH BOX (SELF WINCH RADIO CONTROL)	1				

TM-ZF500 31093010320A FRAME/SL,REMOTE-RADIO CONT.,HOOK-IN

Pos No.	Parts No	Parts Name	Qty	Unit	Technical Data	Serial No (Start)	Serial No (End)
2	36800085010	GASKET	1				
4	36800565010	CONNECTOR ASSY (SPEAKER)	1				
6	36800565020	CONNECTOR ASSY	1				
11	36800565030	SPACER (RUBBER A)	1				
12	36800555080	LABEL (SEAL)	1				
21	36801995010	PANEL ASSY	1				
50	36801991000	CONTROL BOX (RADIO CONTROL,D)	1				

TM-ZF500 31093010320A FRAME/SL,REMOTE-RADIO CONT.,HOOK-IN

Pos No.	Parts No	Parts Name	Qty	Unit	Technical Data	Serial No (Start)	Serial No (End)	Remarks	Pages
7	36804917060	STEM	1						
8	36804917070	PANEL	1						
900	36804911000	CONTROL UNIT	1						

TM-ZF500 31093010320A FRAME/SL,REMOTE-RADIO CONT.,HOOK-IN

Pos No.	Parts No	Parts Name	Qty	Unit	Technical Data	Serial No (Start)	Serial No (End)
2	36800085011	GASKET	1				
4	36800565011	CONNECTOR ASSY (SPEAKER)	1				
5	36800565141	CONNECTOR ASSY (WITH HARNESS)	1				
6	36800565021	CONNECTOR ASSY (WITH HARNESS)	1				
7	36804015011	BOARD ASSY	1				
9	36804015021	PANEL ASSY (TERMINAL)	1				
11	36804015031	SPACER (RUBBER)	1				
12	36800565031	SPACER (RUBBER A)	1				
19	36800175031	CAP	1				
20	36800296101	PACKING (CONNECTOR INNER PART)	1				
100	36804011001	CONTROL UNIT	1				

TM-ZF500 31093010320A FRAME/SL,REMOTE-RADIO CONT.,HOOK-IN

Pos No.	Parts No	Parts Name	Qty	Unit	Technical Data	Serial No (Start)	Serial No (End)	Remark
1	36062745010	BODY	1					
2	36062745020	ROD ASSY	1					
3	36062745030	SPRING (A)	1					
4	36062745040	SPRING (B)	1					
5	36062745050	COVER (SEAL)	1					
6	80602110380	RING,RITAINING	1		R38			
7	36648375020	BALL,STEEL	9		3/16			
8	80560054000	BALL,STEEL	5		5/32			
9	91001101400	O-RING	2		1A P14			
10	91001102800	O-RING	1		1A P28			
11	91001003200	O-RING	1		1A S32			
12	91001003150	O-RING	1		1A S31.5			
13	91001002200	O-RING	2		S22			
14	91650001400	SCRAPER	2					
15	36062445011	LVDT ASSY (A/WITH CORE,)	1					
16	36644015220	SHIM (T=0.2)	2					
17	36644015230	SHIM (T=0.3)	2					
18	36062745060	FLANGE	1					
19	80172105008	SCREW,MACHINE	2		M5X8			
21	36062745070	TUBE	2					
22	80172304010	SCREW,MACHINE	5		M4X10			
23	36645405160	BAND	1					
26	36081315130	PROTECTOR (THREAD)	2					
28	36645405100	BOLT	2		M4X22			
29	36062635030	FASTENER	1					
30	90303070401	WASHER,PLAIN	1		4			
31	36645405110	SHIM (T=1.0)	1					
32	36062745080	VALVE,SOLENOID	1					
50	36062740000	CYLINDER,ACCELERATOR	1					

TM-ZF500 31093010320A FRAME/SL,REMOTE-RADIO CONT.,HOOK-IN

Pos No.	Parts No	Parts Name	Qty	Unit	Technical Data	Serial No (Start)	Serial
2	(*****)	MOUNT,ANTENNA (RADIO CONTROL,C-TYPE)	1				
3	(*****)	ELEC.ASSY (RADIO CONTROL)	1				
4	36800541000	STOWING BOX (BAG,RADIO CONTROL)	1				
5	(*****)	PLATE ASSY,NAME (RADIO CONTROL)	1				
11	36802011000	CONTROL BOX (RADIO CONTROL,TYPE-E)	1				
	36801991000	CONTROL BOX (RADIO CONTROL,D)	1				
	36804011001	CONTROL UNIT	1				
	36804031001	CONTROL UNIT	1				
12	36801992000	SWITCH BOX (RADIO CONTROL,TYPE-D)	1				
	36802012000	SWITCH BOX (RADIO CONTROL,TYPE-E)	1				
	36802012001	SWITCH BOX	1				
	36801992001	SWITCH BOX (FUTABA)	1				

TM-ZF500 31093010320A FRAME/SL,REMOTE-RADIO CONT.,HOOK-IN

Pos No.	Parts No	Parts Name	Qty	Unit	Technical Data	Serial No (Start)	Serial No
1	(*****)	ELEC.ASSY (BML,OPTION)	1				
3	(*****)	DETECTOR,OVER FRONT AREA	1				
4	(*****)	INDICATOR,OUTRIGGER	1				
5	(*****)	DETECTOR,LOAD (BML,OPTION)	1				
6	(*****)	SWITCH INSTALLATION (BML)	1				
7	(*****)	PLATE ASSY,NAME (BML,OPTION)	1				
9	36131380000	DETECTOR,BOOM LENGTH (BML,OPTION)	1				
10	36117300000	MOMENT LIMITER (BML-PB)	1				
11	(*****)	PLATE ASSY,NAME (BML BOOM,OPTION)	1				

TM-ZF500 31093010320A FRAME/SL,REMOTE-RADIO CONT.,HOOK-IN

Pos No.	Parts No	Parts Name	Qty	Unit	Technical Data	Serial No (Start)	Serial No (End)
1	(*****)	ELEC.ASSY	1				
2	(*****)	ELEC.ASSY (SPARE HARNESS)	1				
3	(*****)	PLATE ASSY,NAME (UPPER)	1				
4	(*****)	DETECTOR,BOOM LENGTH (MOUNT)	1				
6	36194670000	MOMENT LIMITER (BML)	1				
12	(*****)	MOUNT (BOOM)	1				

TM-ZF500 31093010320A FRAME/SL,REMOTE-RADIO CONT.,HOOK-IN

Pos No.	Parts No	Parts Name	Qty	Unit	Technical Data	Serial No (Start)	Serial No
1	36800335010	ELEMENT,ANTENNA (FLEXIBLE,TYPE A,B)	1				
10	36800150000	ANTENNA (15M.TRAVELLING TYPE A,B)	1				

TM-ZF500 31093010320A FRAME/SL,REMOTE-RADIO CONT.,HOOK-IN

Pos No.	Parts No	Parts Name	Qty	Unit	Technical Data	Serial No (Start)	Serial No (End)	F
1	36802862000	ANTENNA (FOR RADIO CONTROL)	1					

TM-ZF500 31093010320A FRAME/SL,REMOTE-RADIO CONT.,HOOK-IN

Pos No.	Parts No	Parts Name	Qty	Unit	Technical Data	Serial No (Start)	Serial No (End)	Remarks
2	36073085020	COVER	1					
3	36073815010	GEAR,SPUR	1					
6	36073085061	BRAKE,DISK	1					
7	36073085072	WHEEL,RATCHET	1					
8	36073085080	RING (C)	1					
10	36073085090	RATCHET	1					
11	36073085100	SHAFT	1					
12	36073085111	SPRING	1					
13	36073085120	CAP	1					
14	36073085130	PIN	1					
15	36073085140	NUT	1					
16	80500006202	BEARING,BALL	1					
17	80500006212	BEARING,BALL	1				EW7101	
	80500006211	BEARING,BALL	1			EW7102		
18	80500006305	BEARING,BALL	1					
19	80500006007	BEARING,BALL	1					
20	36073085150	SEAL,OIL	1					
21	80602110620	RING,RITAINING	1		R62			
22	36071195200	O-RING	1					
23	91001101500	O-RING	1		1A P15			
24	80136340040	PIN,SPLIT	1		4X40			
25	36073085160	KEY	2					
26	36073085180	BOLT (WITH SW)	6					
27	36073085200	PLUG	1					
28	36073085170	GAUGE,OIL	1					
29	80172304015	SCREW,MACHINE	1		M4X15			
30	90302040401	WASHER,SPRING	1		4			
51	36073085602	GEAR ASSY	1					
	36073085603	GEAR ASSY	1			EW7102		EW7101
100	36073810000	WINCH ASSY (Y.G.TEC)	1					
101	36070441000	FACING KIT(JAPANESE)	1					
102	36070442000	FACING KIT (ENGLISH)	1					

TM-ZF500 31093010320A FRAME/SL,REMOTE-RADIO CONT.,HOOK-IN

Pos No.	Parts No	Parts Name	Qty	Unit	Technical Data	Serial No (Start)	Serial No (End)	Remarks	Pages
1	90101212025	BOLT	2		M12X25				
2	90201201200	NUT	2		M12				
3	90302041201	WASHER,SPRING	2		12				
4	31622503800	PLATE	2						
5	31730361100	SUPPORT	1						
6	90101210016	BOLT	2		M10X16				
7	90302041001	WASHER,SPRING	2		10				
8	37000512350	PLATE	1						

TM-ZF500 31093010320A FRAME/SL,REMOTE-RADIO CONT.,HOOK-IN

Pos No.	Parts No	Parts Name	Qty	Unit	Technical Data	Serial No (Start)	Serial No (End)	Remarks
1	(*****)	ELEC.ASSY (ALARM,UPPER)	1					
2	(*****)	ELEC.ASSY	1					
5	(*****)	PLATE ASSY,NAME	1					

CLICK HERE TO **DOWNLOAD** THE COMPLETE MANUAL

- Thank you very much for reading the preview of the manual.
- You can download the complete manual from: www.heydownloads.com by clicking the link below



- Please note: If there is no response to CLICKING the link, please download this PDF first and then click on it.

CLICK HERE TO **DOWNLOAD** THE COMPLETE MANUAL