

TM-ZF300 31013010321A FRAME/SL,REMOTE-RADIO CONT.,HOOK-IN

PB2000012-01 POWER TAKE OFF & PUMP (ZF300,ZF360)

PK2000379-00 FRAME UNIT

PO1000122-01 INDICATION PLATES

PV1000075-02 REMOTE CONTROL SYSTEM

PY1000373-00 OPTIONS

ASSEMBLY

CLICK HERE TO **DOWNLOAD** THE COMPLETE MANUAL

- Thank you very much for reading the preview of the manual.
- You can download the complete manual from: www.heydownloads.com by clicking the link below



- Please note: If there is no response to CLICKING the link, please download this PDF first and then click on it.

CLICK HERE TO **DOWNLOAD** THE COMPLETE MANUAL

TM-ZF300 31013010321A FRAME/SL,REMOTE-RADIO CONT.,HOOK-IN

Pos No.	Parts No	Parts Name	Qty	Unit	Technical Data	Series
1	(*****)	REMOTE CONTROL (KIT)	1			
2	(*****)	RADIO CONTROL	1			
	(*****)	RADIO CONTROL (HOOK-IN)	1			
	(*****)	RADIO CONTROL	1			
	(*****)	RADIO CONTROL (PARTS)	1			
	(*****)	RADIO CONTROL	1			
3	(*****)	PARTS ASSY,RADIO CONTROLLER (KIT:LED/SANWA)	1			ES8
	(*****)	PARTS ASSY,RADIO CONTROLLER (KIT:LED/NACHI)	1			ES8
4	(*****)	RADIO CONTROLLER ASSY (F:LED/WITHOUT HOOK-IN,#EB6193-)	1			ES8
	(*****)	RADIO CONTROLLER ASSY (F:LED/WITHOUT HOOK-IN,-#EB6192)	1			ES8
5	(*****)	RADIO CONTROLLER ASSY (F:LED/WITH HOOK-IN,-#EB6192)	1			ES8
	(*****)	RADIO CONTROLLER ASSY (F:LED/WITH HOOK-IN,#EB6193-)	1			ES8
6	36800280000	CABLE,REMOTE CONTROL (T,OPTION 20M)	1			
7	36800150000	ANTENNA (15M.TRAVELLING TYPE A,B)	1			
	36802760000	ANTENNA (15M.TRAVELLING TYPE C,D,E)	1			
8	(*****)	PARTS,BML (5,6 SECT.HOOK-IN)	1			
	(*****)	PARTS,BML	1			
	(*****)	PARTS,BML	1			
	(*****)	PARTS,BML	1			
	(*****)	PARTS,BML (3,4 SECT.MANUAL)	1			
	(*****)	PARTS,BML (5,6 SECT.RADICON HOOK-IN)	1			
	(*****)	PARTS,BML (5,6 SECT.MANUAL)	1			
	(*****)	PARTS,BML (3,4 SECT.HOOK-IN)	1			
	(*****)	PARTS,BML	1			
	(*****)	PARTS,BML	1			
	(*****)	PARTS,BML	1			
	(*****)	PARTS,BML (3,4 SECT.RADICON HOOK-IN)	1			
9	(*****)	PARTS,AWL	1			
	(*****)	PARTS,AWL	1			
	(*****)	PARTS,AWL	1			
	(*****)	PARTS,AWL	1			
	(*****)	PARTS,AWL	1			
	(*****)	PARTS,AWL (5,6 SECT./RADICON OR MH)	1			
	(*****)	PARTS,AWL (2-4 SECT./RADICON OR MH)	1			
	(*****)	PARTS,AWL (5.6 SECT./MANUAL)	1			
	(*****)	PARTS,AWL (2-4 SECT./MANUAL)	1			
10	(*****)	HOOK (3TON SL WINCH, 2-PART LINE/MOUNT)	1			
	(*****)	HOOK	1			
11	(*****)	DETECTOR,DISORDERLY WINDING	1			
12	(*****)	OUTRIGGER,REAR (ROTARY)	1			
13	(*****)	ROPE,GUIDE	1			
14	(*****)	LAMP (MOUNT,POST/24V-60W)	1			
	(*****)	LAMP (MOUNT,BOOM/24V-45W)	1			
16	(*****)	PLATE (355X355,H=80)	1			
17	(*****)	POWER SUPPLY (SERVICE PORT)	1			
18	(*****)	ALARM SYSTEM	1			
19	(*****)	ALARM SYSTEM	1			
	(*****)	ALARM SYSTEM	1			
	(*****)	ALARM SYSTEM	1			
	(*****)	ALARM SYSTEM	1			
	(*****)	ALARM SYSTEM	1			
20	(*****)	ELEC.ASSY	1			ES8
	(*****)	ELEC.ASSY	1			ES8
21	(*****)	ELEC.ASSY (AWL LAMP/STOP TO CONFIGURATION)	1			ES8
22	(*****)	WINCH (3TON SELF, RADICON)	1			
	(*****)	WINCH (3TON SELF)	1			
	(*****)	WINCH (3TON SELF+ ROTARY R/J)	1			
	(*****)	WINCH (4TON SELF)	1			
	(*****)	WINCH (4TON SELF, RADICON)	1			
	(*****)	WINCH (DRUM FREE)	1			
	(*****)	WINCH (3TON SELF+ ROTARY R/J+SEAVICE P)	1			
	(*****)	WINCH (3TON SELF+ SERVICE PORT)	1			
23	(*****)	JOINT,ROTARY (RING ASSY,SLIP)	1			

TM-ZF300 31013010321A FRAME/SL,REMOTE-RADIO CONT.,HOOK-IN

Pos No.	Parts No	Parts Name	Qty	Unit	Technical Data	Serial No (Start)	Serial No (End)	Remarks	Pages
1	36400235010	CASE	1						
2	36400235020	GEAR	1						
3	36400235030	GEAR	1						
4	36400235040	SHAFT	1						
5	36400095040	SHAFT	1						
6	36400095050	COLLAR	1						
7	36400215080	PACKING (CASE)	1						
8	90101206012	BOLT	1		M6X12				
9	90191210016	BOLT	8		M10X16				
10	36400295010	BOLT	6						
11	90267201000	NUT	6		M10				
12	90302041001	WASHER,SPRING	14		10				
14	36400095130	WASHER	1						
15	36400135100	KEY	1						
16	80500006305	BEARING,BALL	2						
17	36400095120	BEARING	2						
18	91206025005	SEAL,OIL	1						
19	36400095090	SHIM	N						
20	36400235050	COVER (FRONT)	1						
21	36400235060	COVER (REAR)	1						
22	36400235070	PACKING	2						
24	36400135120	COUPLING	1						
25	36400135150	NUT	1		M4X1.5				
26	36400135090	WASHER	1						
27	36400135160	WASHER,PLAIN	1						
28	36400225110	SHIFTER SET	1						
29	36400095110	PACKING	1						
30	90191208020	BOLT	4		M8X20				
31	90302040801	WASHER,SPRING	4		8				
32	80602110520	RING,RITAINING	2		R52				
33	36400295020	PLATE,NAME	1						
35	31790670100	SUPPORT	1						
36	90191208025	BOLT	2		M8X25				
49	36400225160	SEAL,OIL	1						
50	36400290000	POWER TAKE OFF	1						
100	31790690000	POWER TAKE OFF	1						

TM-ZF300 31013010321A FRAME/SL,REMOTE-RADIO CONT.,HOOK-IN

Pos No.	Parts No	Parts Name	Qty	Unit	Technical Data	Serial No (Start)	Serial No (End)	Remarks	Pages
1	36400805010	CASE	1						
2	36400805020	GEAR	1						
3	36400775010	SHAFT	1						
4	36400765040	SLEEVE	1						
5	36400095100	SHIFTER ASSY	1						
6	36400095110	PACKING	1						
7	80500006006	BEARING,BALL	1						
8	36400765050	BEARING,NEEDLE	1						
9	36400765060	BEARING	1						
10	36400765070	BEARING	1						
11	91206030005	SEAL,OIL	1						
12	36400095070	COVER (BEARING)	1						
13	36400095080	PACKING (COVER)	1						
14	36400095090	SHIM	N						
15	90191208014	BOLT	3		M8X14				
16	90302040801	WASHER,SPRING	7		8				
17	90191208020	BOLT	4		M8X20				
18	90193512090	BOLT	2						
19	90302041201	WASHER,SPRING	6		12				
20	36400785020	BOLT,STUD	2						
21	90264201200	NUT	2		M12				
22	90193512035	BOLT	2		M12X35				
23	36400435090	PACKING (CASE)	1						
24	36400805030	PLATE,NAME	1						
26	31790680100	SUPPORT	1						
50	36400810000	POWER TAKE OFF	1						
100	31790750000	POWER TAKE OFF	1						

TM-ZF300 31013010321A FRAME/SL,REMOTE-RADIO CONT.,HOOK-IN

Pos No.	Parts No	Parts Name	Qty	Unit	Technical Data	Serial No (Start)	Serial No (End)	Remarks	Pages
1	36400875010	CASE	1						
2	36400875020	GEAR	1						
3	36400875030	SHAFT	1						
4	36400875040	GEAR	1						
5	36400095040	SHAFT	1						
6	36400095050	COLLAR	1						
7	36400875050	SHIFTER SET	1						
8	36400095110	PACKING	2						
9	36400095070	COVER (BEARING)	1						
10	36400095080	PACKING (COVER)	1						
11	36400095090	SHIM	1						
12	80500006206	BEARING,BALL	2						
13	36400095120	BEARING	2						
14	91206030005	SEAL,OIL	1						
15	36400095130	WASHER	1						
16	90101206012	BOLT	1		M6X12				
17	80602110520	RING,RITAINING	2		R52				
18	90191208014	BOLT	3		M8X14				
19	90191208030	BOLT	4		M8X30				
20	90302040801	WASHER,SPRING	7		8				
21	36400285080	SPACER	1						
24	36400345010	SPACER	1						
25	36400335030	SHIM	1						
26	90191210040	BOLT	4		M10X40				
27	36400285060	BOLT	4						
28	90267201000	NUT	4		M10				
29	90302041001	WASHER,SPRING	8		10				
30	31790680100	SUPPORT	1						
31	90191208035	BOLT	2		M8X35				
50	36400870000	POWER TAKE OFF	1						
100	31791550000	POWER TAKE OFF	1						

TM-ZF300 31013010321A FRAME/SL,REMOTE-RADIO CONT.,HOOK-IN

Pos No.	Parts No	Parts Name	Qty	Unit	Technical Data	Serial No (Start)	Serial No (End)	Remark
2	51630103010	CASE (P.T.O)	1					
3	51630103020	SHAFT (POWER TAKE OFF)	1					
4	51630103030	BEARING,NEEDLE	1					
6	36400955010	GEAR	1					
7	51630103050	WASHER	2					
8	51630103060	PIN,SPRING	1					
9	36400955020	SHAFT (OUTPUT)	1					
10	51630103080	BEARING,NEEDLE	2					
12	51630103090	GEAR,OUTPUT	1					
13	51630103100	WASHER	1					
15	51630103110	SLEEVE	1					
16	80500006206	BEARING,BALL	3					
17	52630106230	COVER (FRONT)	1					
18	36400955030	ADAPTER	1					
19	51630103140	GASKET	2					
20	51630103150	BOLT	4					
21	36400955040	BOLT	4		M8X25X1.25			
22	36400955050	SEAL,OIL	1					
25	51630103170	SHAFT	1					
26	51630103180	FORK	1					
27	51630103190	BOLT	1					
28	52630106200	BALL,STEEL	1					
29	52630106190	SPRING	1					
30	51630103200	PLUG	1					
31	51630103210	PLUG	1					
32	51630103220	SEAL,OIL	1					
33	51630103230	BOLT	1					
35	51630103240	NUT	1					
36	51630103250	GASKET	1					
37	51630103260	GASKET	1					
38	36400315040	BOLT	6					
40	36400955060	COUPLING	1					
41	36400955070	RING,STOP	1					
50	36400950000	POWER TAKE OFF	1					

TM-ZF300 31013010321A FRAME/SL,REMOTE-RADIO CONT.,HOOK-IN

Pos No.	Parts No	Parts Name	Qty	Unit	Technical Data	Serial No (Start)	Serial No (End)	Remarks	Pages
1	36401055010	CASE	1						
2	36401055020	GEAR	1						
3	36401055030	SHAFT	1						
4	36401055040	GEAR	1						
5	36400395050	SHAFT	1						
6	36400095100	SHIFTER ASSY	1						
7	36400095110	PACKING	1						
8	36400095070	COVER (BEARING)	1						
9	36400095080	PACKING (COVER)	1						
10	36400095090	SHIM	1						
11	36400675030	COLLAR	1						
12	80500006206	BEARING,BALL	2						
13	36400675050	BEARING	2						
14	80602110520	RING,RITAINING	2		R52				
15	91206030005	SEAL,OIL	1						
16	90191206015	BOLT	1		M6				
17	36400095130	WASHER	1						
18	90191208014	BOLT	3		M8X14				
19	90191208020	BOLT	4		M8X20				
20	90302040801	WASHER,SPRING	7		8				
21	36400915060	PACKING	1						
22	36400435120	BOLT,STUD	6						
23	90267401200	NUT	6						
24	90302041201	WASHER,SPRING	6		12				
27	31790830100	SUPPORT	1						
50	36401050000	POWER TAKE OFF	1						
100	31790830000	POWER TAKE OFF	1						

TM-ZF300 31013010321A FRAME/SL,REMOTE-RADIO CONT.,HOOK-IN

Pos No.	Parts No	Parts Name	Qty	Unit	Technical Data	Serial No (Start)	Serial No (End)	Remarks	Page
1	36401365010	CASE	1						
2	36401365020	GEAR	1						
3	36400895030	SHAFT	1						
4	36400095040	SHAFT	1						
5	36400095050	COLLAR	1						
6	36401365030	GEAR	1						
7	36400095070	COVER (BEARING)	1						
8	36400095080	PACKING (COVER)	1						
9	36400095090	SHIM	1						
10	36400095100	SHIFTER ASSY	1						
11	36400095110	PACKING	1						
12	80500006206	BEARING,BALL	2						
13	36400095120	BEARING	2						
14	80602110520	RING,RITAINING	2		R52				
15	91206030005	SEAL,OIL	1						
16	90101206012	BOLT	1		M6X12				
17	36400095130	WASHER	1						
18	90191208020	BOLT	4		M8X20				
19	90191208014	BOLT	3		M8X14				
20	90302040801	WASHER,SPRING	7		8				
21	36400335030	SHIM	1						
22	90191210030	BOLT	4		M10X30				
23	36400095150	BOLT,STUD	4		M10X1.25/1.5X43				
24	90267201000	NUT	4		M10				
25	90302041001	WASHER,SPRING	8		10				
27	31790680100	SUPPORT	1						
28	90191208025	BOLT	2		M8X25				
50	36401360000	POWER TAKE OFF	1						
100	31790940000	POWER TAKE OFF	1						

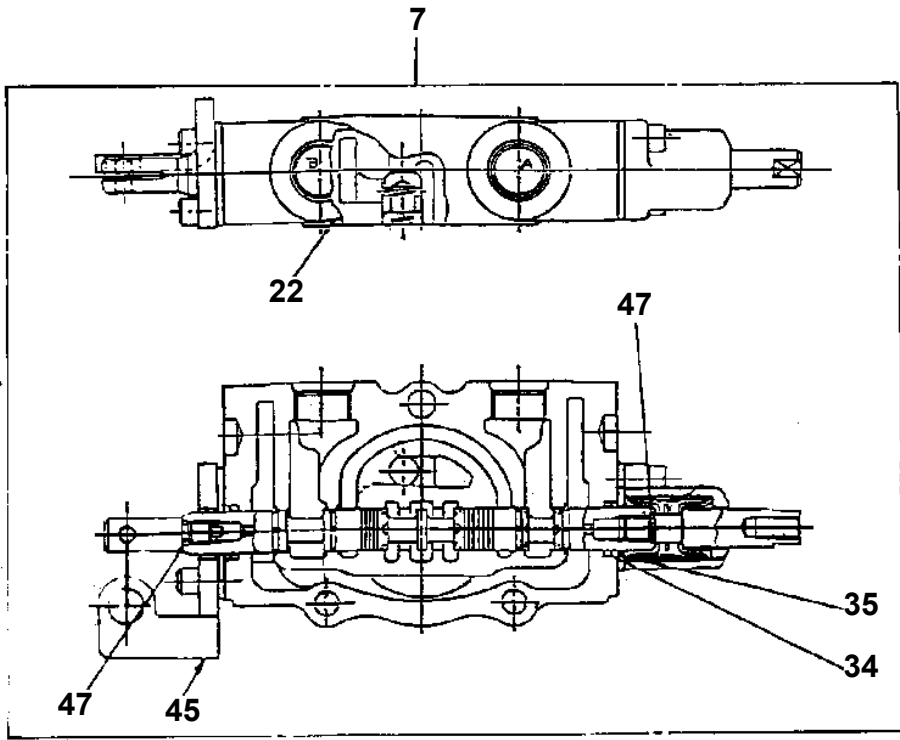
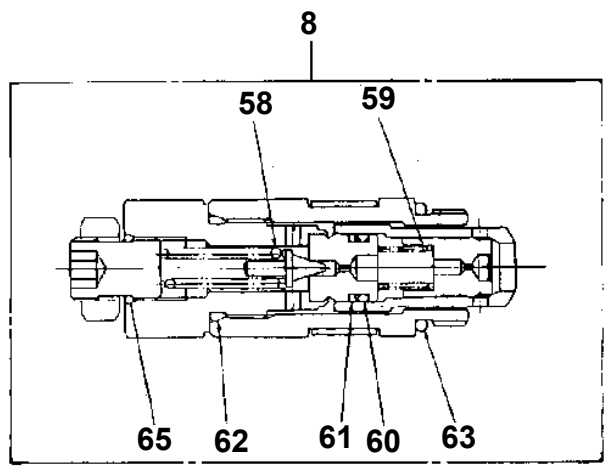
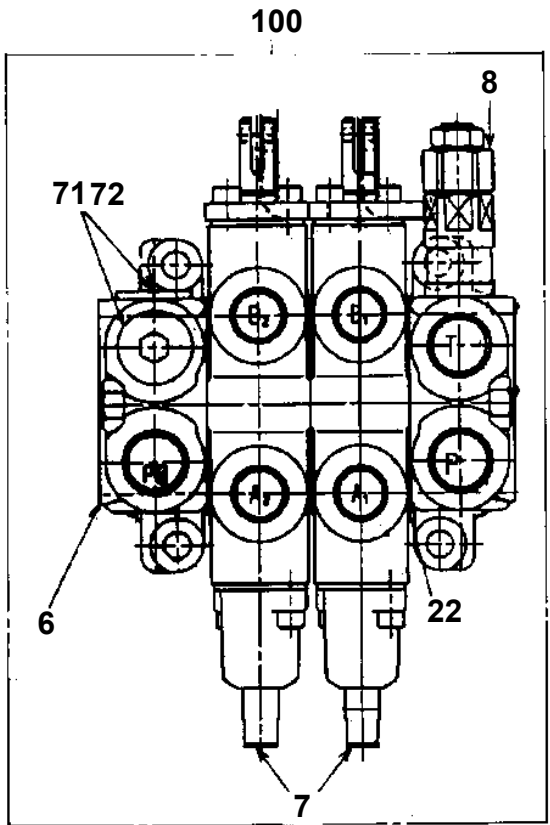
TM-ZF300 31013010321A FRAME/SL,REMOTE-RADIO CONT.,HOOK-IN

Pos No.	Parts No	Parts Name	Qty	Unit	Technical Data	Serial No (Start)	Serial No (End)	Remarks	Page
1	36400895010	CASE	1						
2	36401115010	GEAR	1						
3	36400895030	SHAFT	1						
4	36401115020	GEAR	1						
5	36400415050	SHAFT	1						
6	36400415060	COLLAR	1						
7	36400215070	COLLAR	2						
8	36400225110	SHIFTER SET	1						
9	36400095110	PACKING	1						
10	36400095070	COVER (BEARING)	1						
11	36400095080	PACKING (COVER)	1						
12	36400095090	SHIM	N						
13	80500006206	BEARING,BALL	2						
14	36400415090	BEARING,NEEDLE	2						
15	91206030005	SEAL,OIL	1						
16	91001102100	O-RING	1		1A P21				
17	90710006120	SCREW,SET	1		M6X12				
18	90191208014	BOLT	3		M8X14				
19	90191208020	BOLT	4		M8X20				
20	90302040801	WASHER,SPRING	7		8				
23	36400415100	PACKING (CASE)	1						
24	90191210030	BOLT	6		M10X30				
25	36400095150	BOLT,STUD	2		M10X1.25/1.5X43				
26	90267201000	NUT	2		M10				
27	90302041001	WASHER,SPRING	8		10				
28	31790720100	SUPPORT	1						
29	90191208025	BOLT	2		M8X25				
49	36400225160	SEAL,OIL	1						
50	36401500000	POWER TAKE OFF	1						
100	31791020000	POWER TAKE OFF	1						

TM-ZF300 31013010321A FRAME/SL,REMOTE-RADIO CONT.,HOOK-IN

Pos No.	Parts No	Parts Name	Qty	Unit	Technical Data	Serial No (Start)	Serial No (End)	Rema
2	36101895020	BREATHER ASSY (OB-10B)	1					
4	31660005030	PLUG	1					
10	31660005042	WASHER,SEAL	1		M20			
21	53156005010	ELEMENT (OB-10T & OB-10B)	1					
22	36101895030	RETAINER ASSY	1					
31	31660005021	GAUGE ASSY	1		L=290			
100	36101890000	TANK,OIL	1					

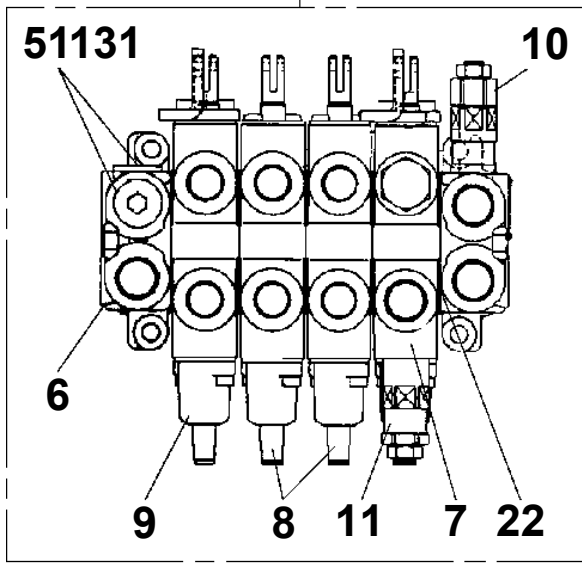
TM-ZF300 31013010321A FRAME/SL,REMOTE-RADIO CONT.,HOOK-IN
PB1320258-01 VALVE,MANUAL CONTROL (REAR OUTRIGGER)



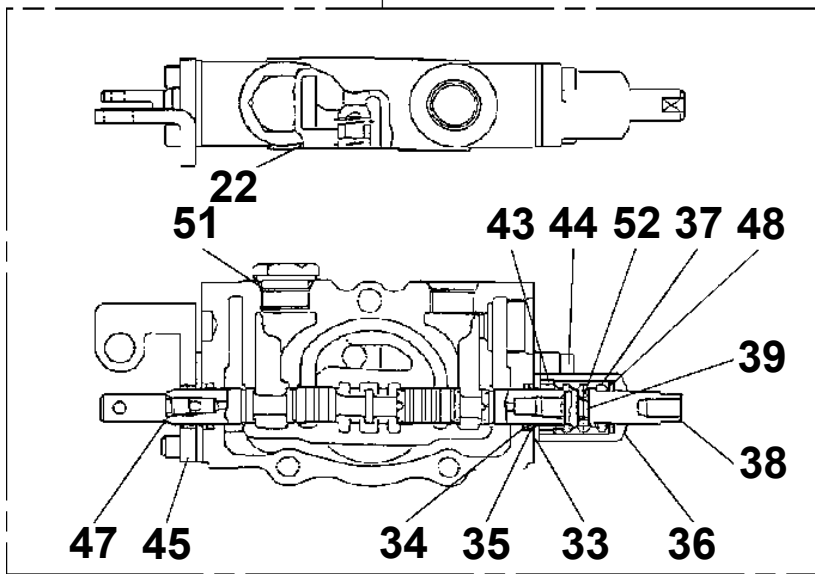
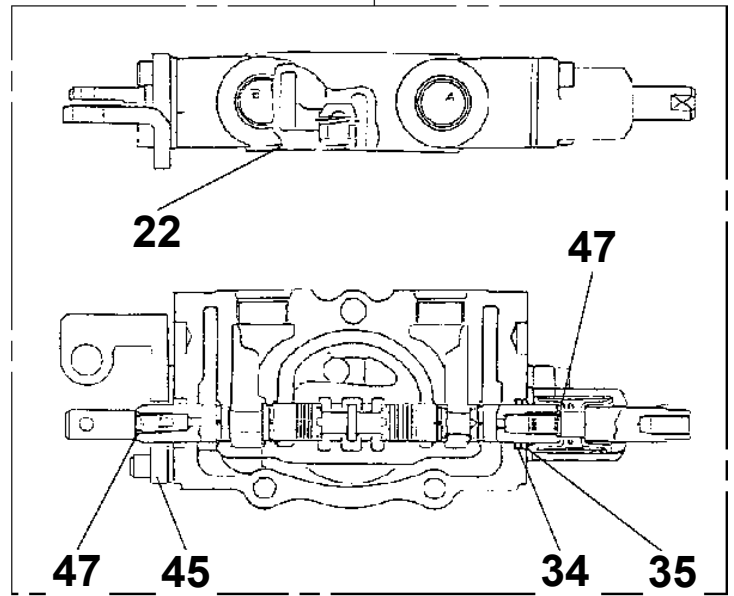
TM-ZF300 31013010321A FRAME/SL,REMOTE-RADIO CONT.,HOOK-IN
 PB1320316-01 VALVE,MANUAL CONTROL (R/O,4-BLOCK)

150

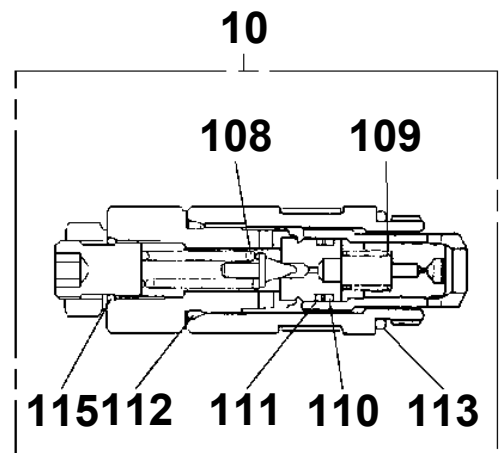
9



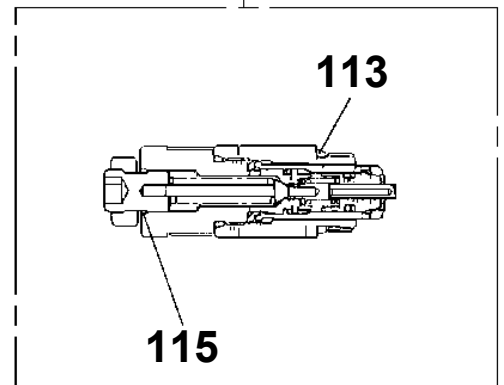
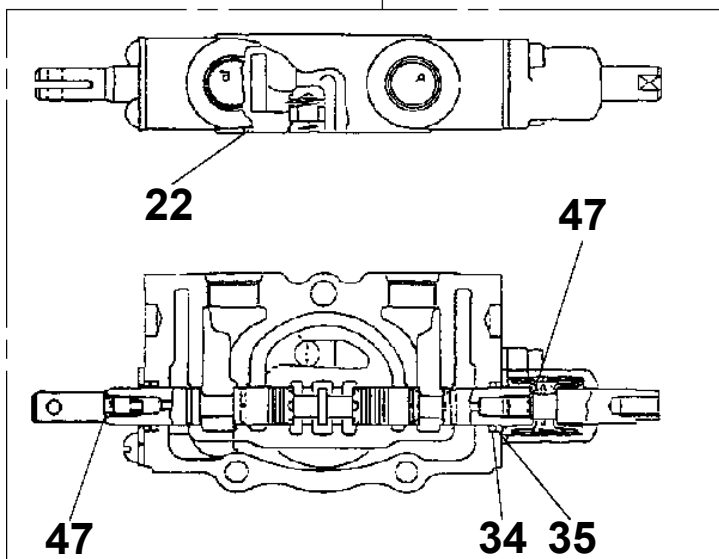
7



8



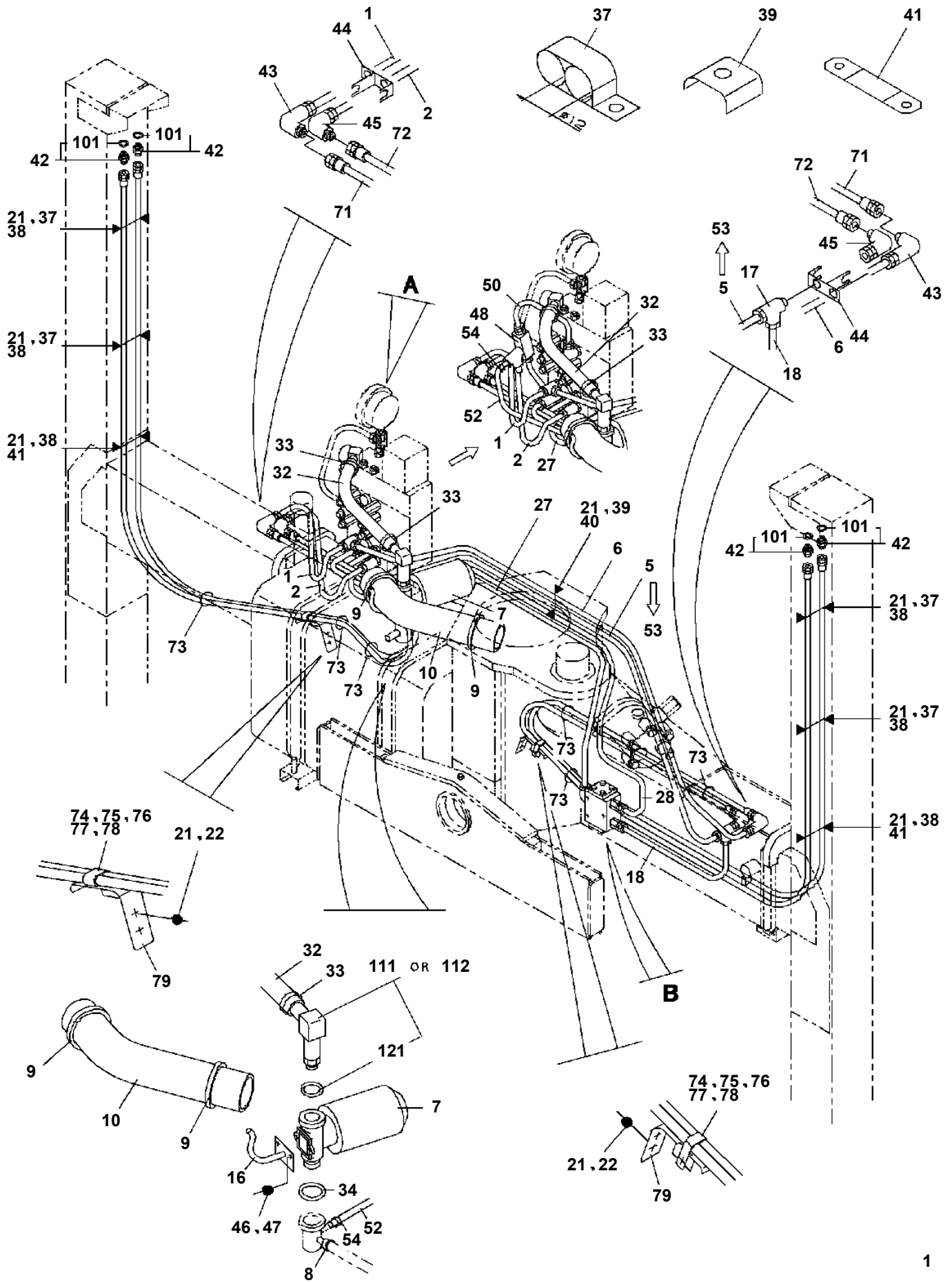
11



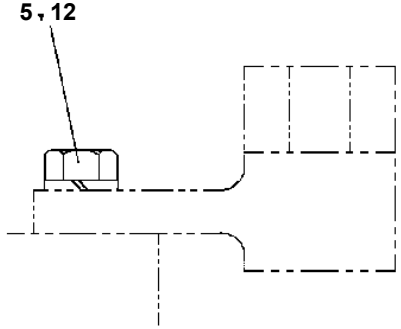
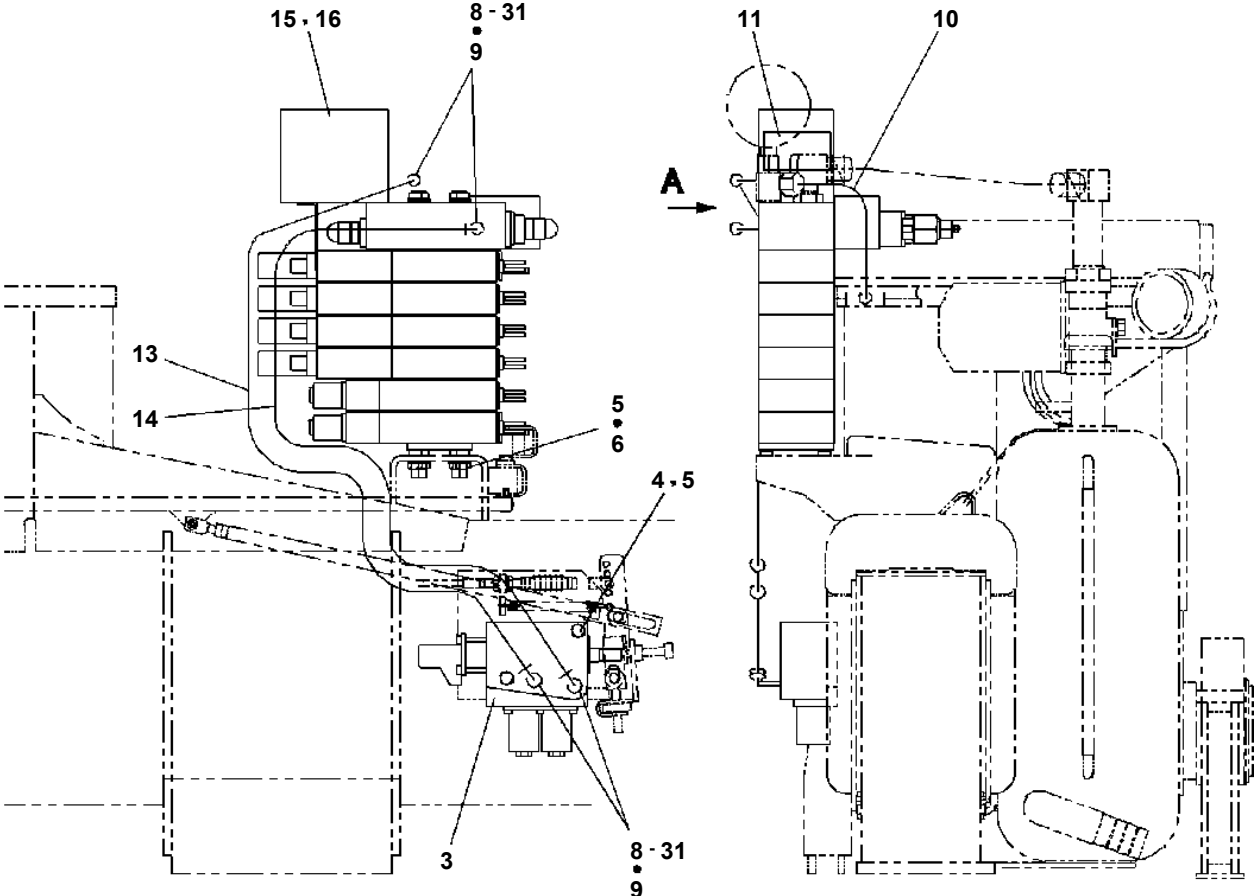
TM-ZF300 31013010321A FRAME/SL,REMOTE-RADIO CONT.,HOOK-IN
PB1380213-00 POWER SUPPLY (SERVICE PORT)

1	オペ .ASSY,ソウサバルブ OPE.ASSY,CONT.VALVE
2	パイピング,ロー (メイン 1 OR 2 OR 4レンバルブ) PIPING,LOWER
3	プレートASSY,ネーム PLATE ASSY,NAME
4	パイピング,ロー PIPING,LOWER (MAIN R/J VALVE)
5	バルブ,マニアル コントロール VALVE,MANUAL CONTROL

**TM-ZF300 31013010321A FRAME/SL,REMOTE-RADIO CONT.,HOOK-IN
PB1410721-01 PIPING,HYDRAULIC LOWER**



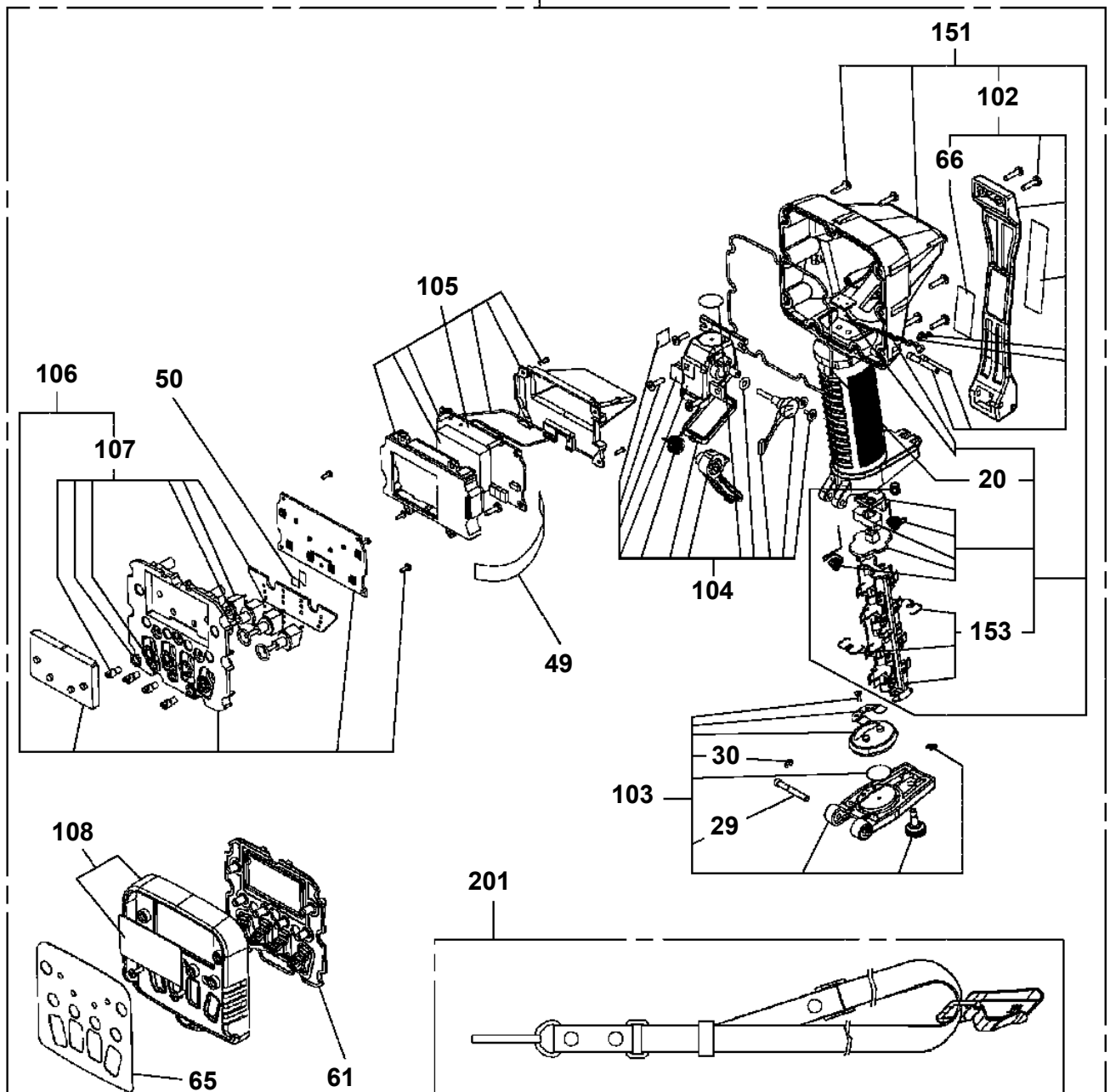
TM-ZF300 31013010321A FRAME/SL,REMOTE-RADIO CONT.,HOOK-IN
PB1411316-00 PIPING,LOWER (NACHI)



A

TM-ZF300 31013010321A FRAME/SL,REMOTE-RADIO CONT.,HOOK-IN
PB5280008-00 BOX,OPERATION

300



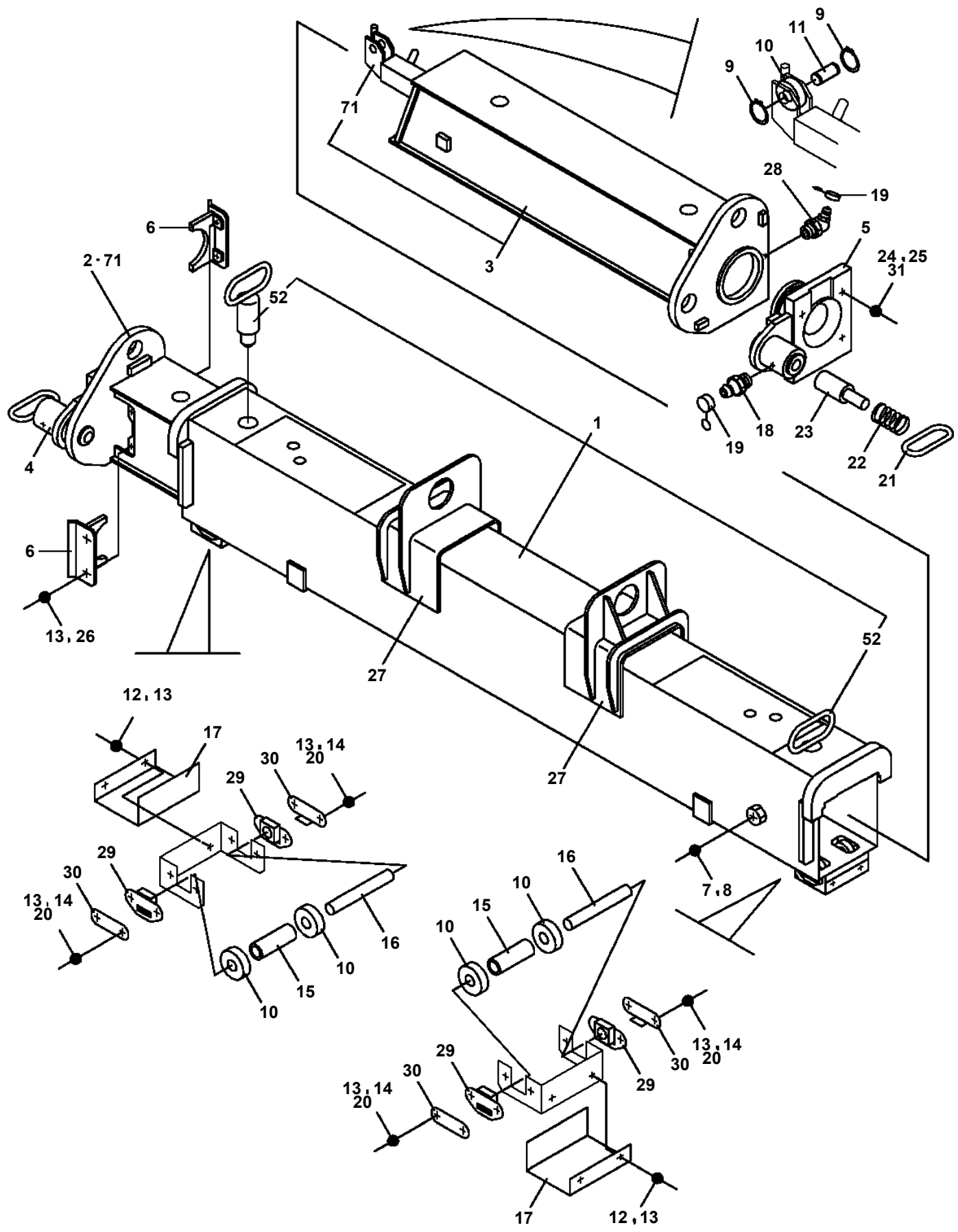
注意

1. 本体分解時には、指示番号20の「Oリング (ケース)」を併せて注文ください。
2. 「RF ASSY」を交換する場合は、指示番号66の「ラベル (コクイン)」も併せて注文ください。
3. お送りする「ラベル (コクイン)」には製造番号は印字されていないので記入してください。

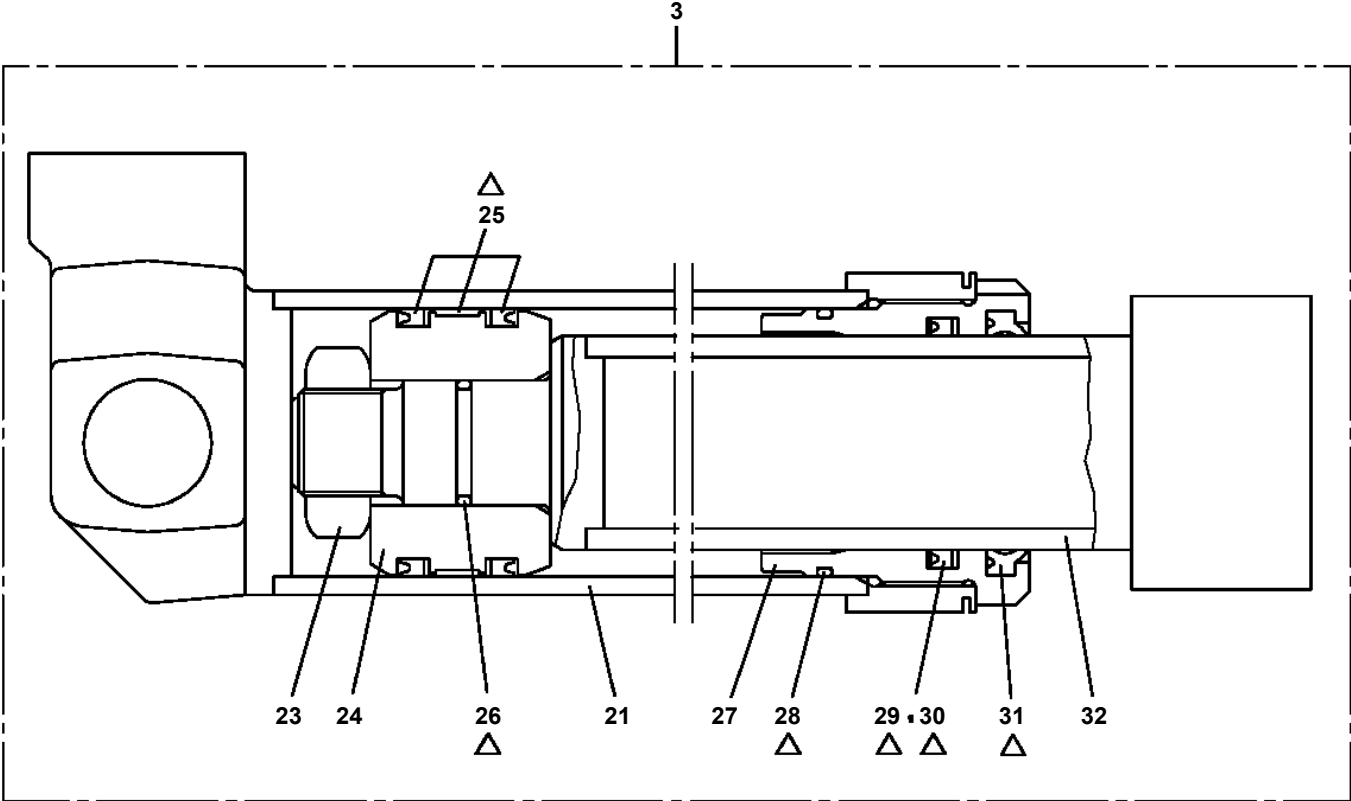
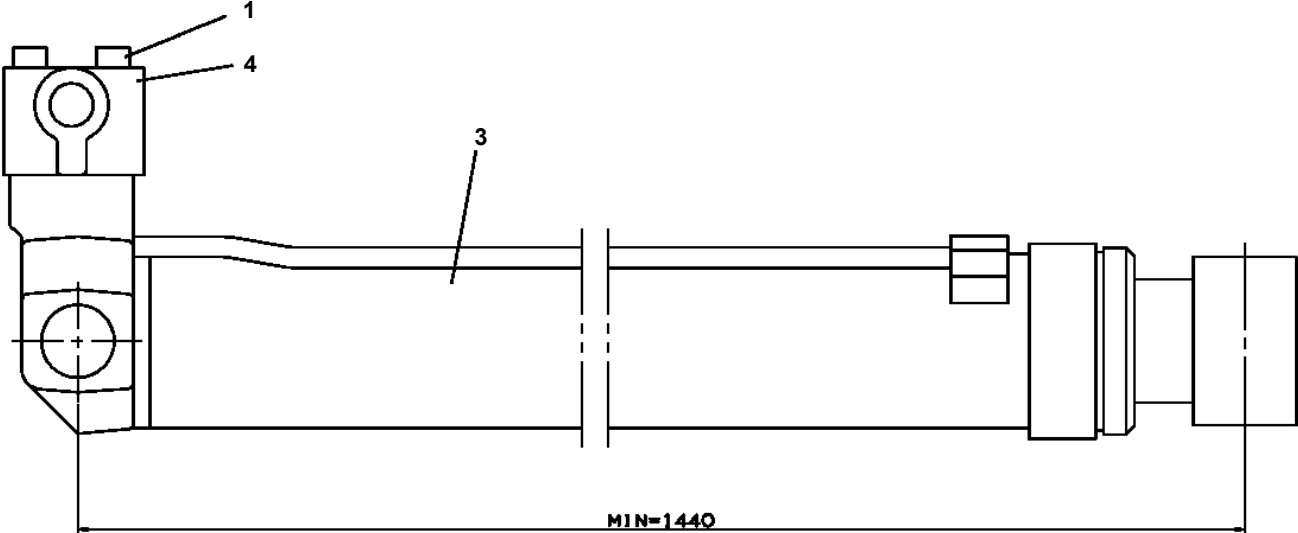
NOTICE

1. When disassembling the main unit, order a key No.20 「O-RING(CASE)」 beforehand.
2. When replacing 「RF ASSY」 order a Key No.66 「LABEL(SELIAL)」 beforehand.
3. Serial No.is not stamped on the 「LABEL(SELIAL)」 before shipment. Fill in the blank by yourself.

TM-ZF300 31013010321A FRAME/SL,REMOTE-RADIO CONT.,HOOK-IN
PC1010688-01 OUTRIGGER (REAR,ROTARY)

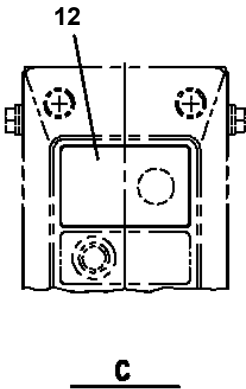
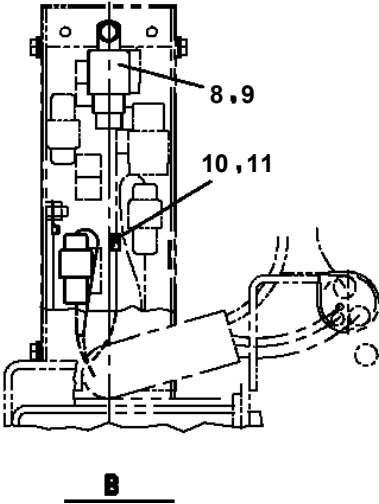
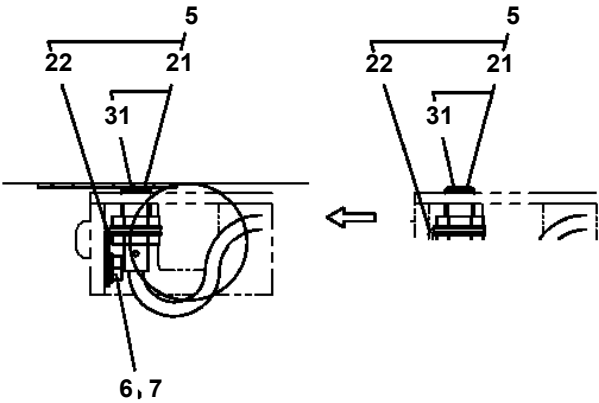
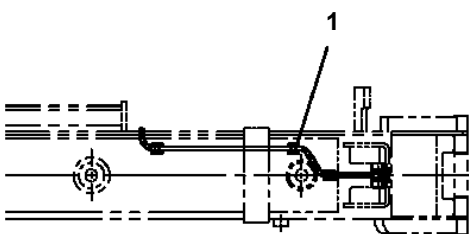
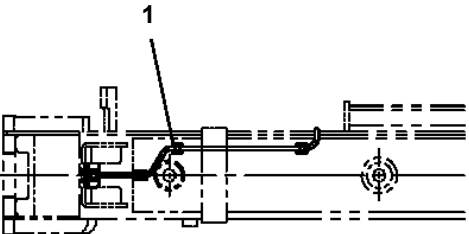
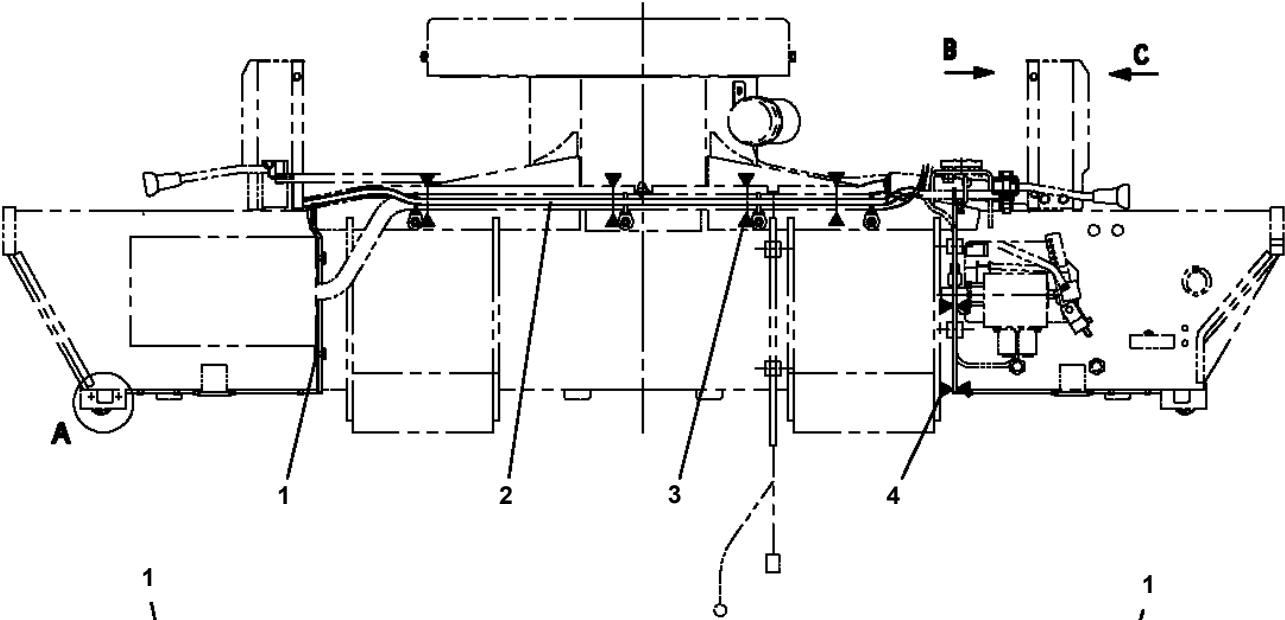
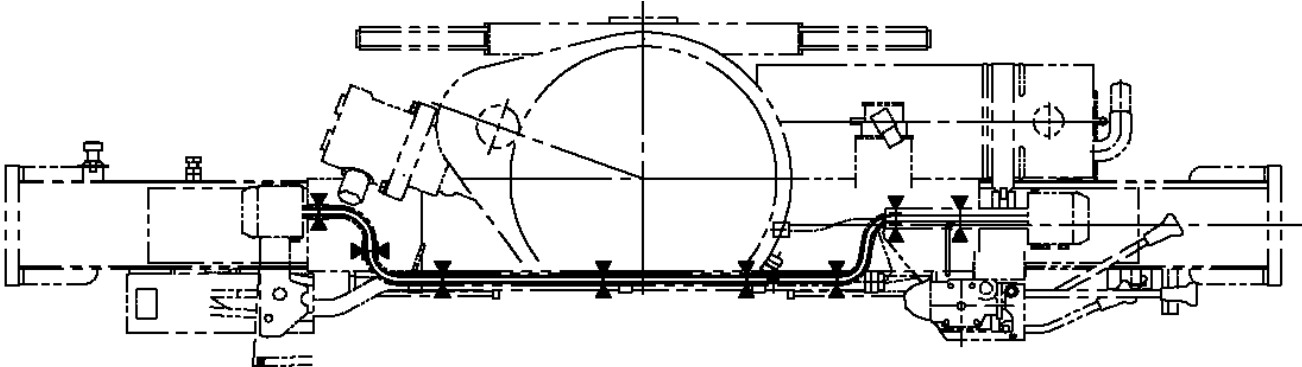


**TM-ZF300 31013010321A FRAME/SL,REMOTE-RADIO CONT.,HOOK-IN
PC1030214-05 OUTRIGGER ASSY (MIN=1440)**



△:PACKING SET KEY NO.40 (KEY NO.25,26,28,29,30,31)

TM-ZF300 31013010321A FRAME/SL,REMOTE-RADIO CONT.,HOOK-IN
PC1190022-00 INDICATOR,OUTRIGGER



TM-ZF300 31013010321A FRAME/SL,REMOTE-RADIO CONT.,HOOK-IN

Pos No.	Parts No	Parts Name	Qty	Unit	Technical Data	Serial No (Start)	Serial No (End)	Remarks	Pages
4	31642730100	SUPPORT	2						
5	90186208014	BOLT,FLANGE	12		M8X14				
7	90303071201	WASHER,PLAIN	2		12				
8	37000924770	FITTING,ELBOW	4						
21	37002417360	HOSE	2		L=1800				
22	37002450860	HOSE	2		L=1760				
23	31642730300	CLAMP ASSY	2						
24	31642730200	CLAMP ASSY	2						
29	91810130240	FASTENER	6						

TM-ZF300 31013010321A FRAME/SL,REMOTE-RADIO CONT.,HOOK-IN

Pos No.	Parts No	Parts Name	Qty	Unit	Technical Data	Serial No (Start)	Serial No (End)	Remarks	Pa
1	80400160181	JOINT (WITH O-RING)	1						
2	80302120040	FITTING	2		POA08PF1/4				
3	91002801100	O-RING	2		1B P11				
4	91810130240	FASTENER	3						
5	80400160190	JOINT (WITH O-RING)	1						
6	91803880070	CLIP	2		D=13.1-16.2				
7	37000300710	SLEEVE	1		12-8				
8	91002801400	O-RING	4		1B P14				
9	80302120080	FITTING	4		POA10PF3/8				
10	81408000081	PIPE,STEEL	2	M	8X1.2T				
11	37002500480	HOSE	1		L=1450				
12	81408000100	PIPE,STEEL	2	M	10X1.2T				
13	81408000100	PIPE,STEEL	2	M	10X1.2T				
14	90201200800	NUT	1		M8				
15	90101208045	BOLT	1		M8X45				
16	90302040801	WASHER,SPRING	1		8				
17	37000602910	CLAMP	1						
18	37000603910	CLAMP	1						
31	91002801800	O-RING	1		1B P18				
41	91002801100	O-RING	1		1B P11				

TM-ZF300 31013010321A FRAME/SL,REMOTE-RADIO CONT.,HOOK-IN

Pos No.	Parts No	Parts Name	Qty	Unit	Technical Data	Serial No (Start)	Serial No (End)	Rem
1	82401601002	CLAMP	4					
2	91810130240	FASTENER	10					
3	31360201600	COVER	1					
4	82100002596	RELAY	2					
5	31475371100	HARNESS	1					
6	80192486010	SCREW,MACHINE	3		M6X10			
7	31473460300	HARNESS (RED)	1		L=1600			
8	31380291200	RELAY ASSY (WITH HARNESS)	1					

TM-ZF300 31013010321A FRAME/SL,REMOTE-RADIO CONT.,HOOK-IN

Pos No.	Parts No	Parts Name	Qty	Unit	Technical Data	Serial No (Start)	Serial No (End)	Remarks
1	31500701100	HARNESS	1					
2	82100002596	RELAY	1				KD2332	
	34354781720	RELAY (WITH HARNESS)	1			KD2333		
3	31473744700	HARNESS (L=1000)	1					
4	91810130240	FASTENER	4					
5	44630111170	SPACER	1					
6	90186206045	BOLT,FLANGE	1		M6X45			
7	90303070601	WASHER,PLAIN	1		6			

TM-ZF300 31013010321A FRAME/SL,REMOTE-RADIO CONT.,HOOK-IN

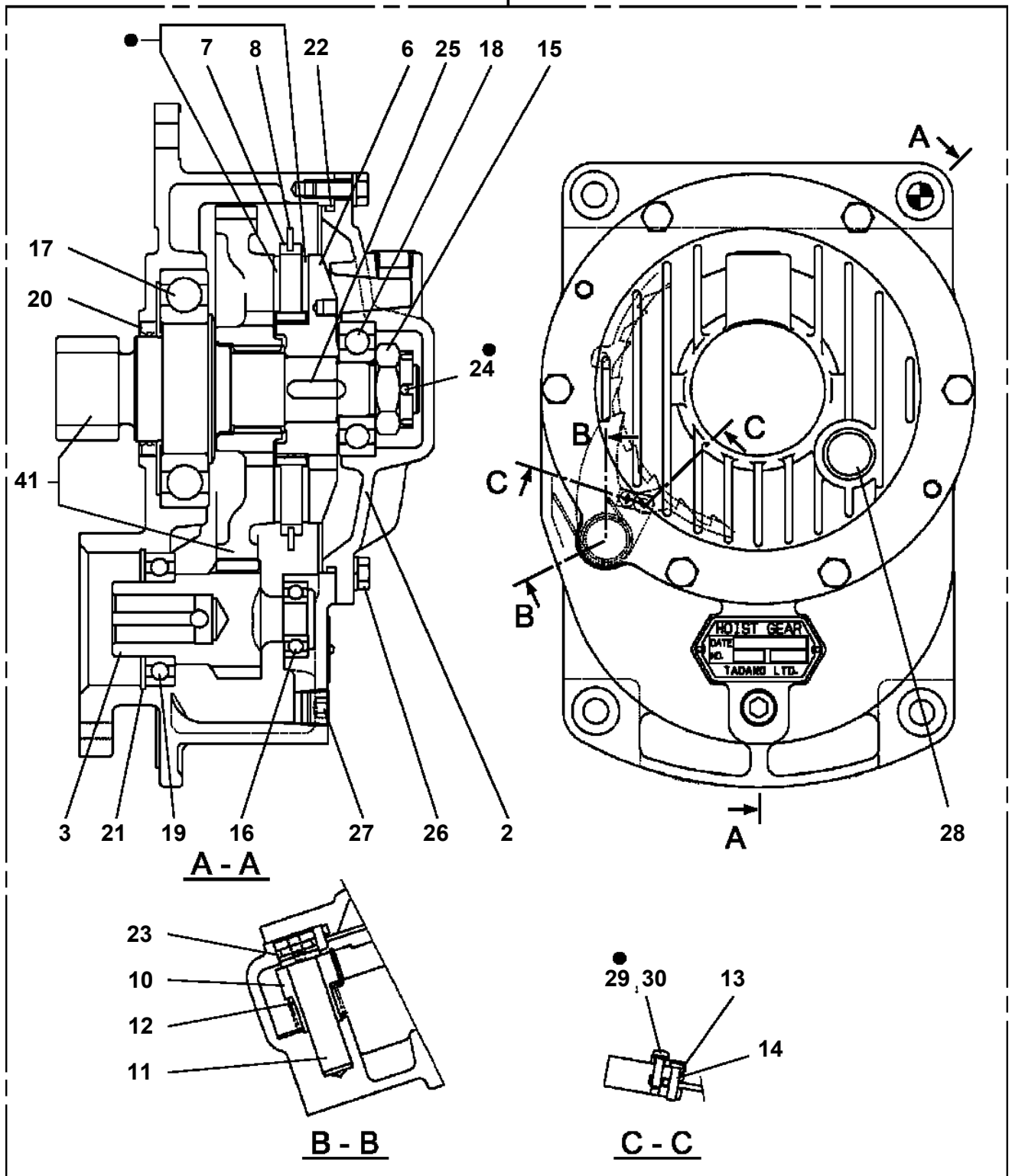
Pos No.	Parts No	Parts Name	Qty	Unit	Technical Data	Serial No (Start)	Serial No (End)	Remarks
1	36072255010	CASING	1					
2	36072255020	COVER	1					
3	36072255030	GEAR (1)	1					
6	36072255060	DISK	1					
7	36072255070	WHEEL,RATCHET	1					
8	36072255080	BUSH	1					
9	36072255090	RING,SLIP	1					
10	36072255100	RATCHET	1					
11	36072255110	PIN	1					
12	36072255120	SPRING	1					
13	36072255130	PIN	1					
14	36072255140	PLATE (LOCK)	1					
15	80172304010	SCREW,MACHINE	1		M4X10			
17	36072255160	BOLT (WITH WASHER)	6		M8X25			
19	36072255180	GAUGE,OIL	1					
20	80205000300	PLUG	1		PT3/8		ES4943	
21	80500006004	BEARING,BALL	1					
22	80500006212	BEARING,BALL	1					
23	80500006305	BEARING,BALL	1					
24	80500006007	BEARING,BALL	1					
25	36072255190	KEY	2		7X7X20			
26	36072255200	O-RING	1				ES4943	
27	91001101500	O-RING	1		1A P15			
28	36072255210	SEAL,OIL	1					
29	36072255220	NUT,CASTLE	1		M24			
30	80136350035	PIN,SPLIT	1		5X35			
31	80602110620	RING,RITAINING	1		R62			
41	36072255230	GEAR SET	1					
50	36072250000	WINCH (OOKUBO)	1					
101	36072251000	FACING KIT(JAPANESE)	1					
102	36072252000	FACING KIT (ENGLISH)	1					

TM-ZF300 31013010321A FRAME/SL,REMOTE-RADIO CONT.,HOOK-IN

Pos No.	Parts No	Parts Name	Qty	Unit	Technical Data	Serial No (Start)	Serial No (End)	Remarks
65	36070525390	PLUG	1		PT1/2X1/8			
66	14123000400	BREATHER	1		PT1/8			
67	90151200100	BOLT,EYE	1		M10			
68	80205000200	PLUG	1		PT1/4			
69	36070525400	JOINT	1		PT3/8			
70	36070525410	SOCKET	1		PT3/8			
71	80205000300	PLUG	1		PT3/8			
72	90303071001	WASHER,PLAIN	2		10			
73	80136320020	PIN,SPLIT	2		2X20			
74	90101508025	BOLT	8		M8X25			
75	36070525420	KEY	2		20X12X54			
76	90302041001	WASHER,SPRING	6		10			
77	36070525430	WEDGE	1					
78	82458202000	NIPPLE,GREASE	1		B-TYPE PT1/8			
79	36070525440	PACKING (SEAT)	1					
80	36070525450	KNOB	1					
81	36070525460	U-BOLT	1					
82	90201200600	NUT	2		M6			
100	36072240000	WINCH (SL 3TX1)	1					

TM-ZF300 31013010321A FRAME/SL,REMOTE-RADIO CONT.,HOOK-IN
 PF1010229-01 WINCH (Y.G.TEC)

100



- : FACING KIT KEY NO.101 (JAPANESE)
- : FACING KIT KEY NO.102 (ENGLISH)

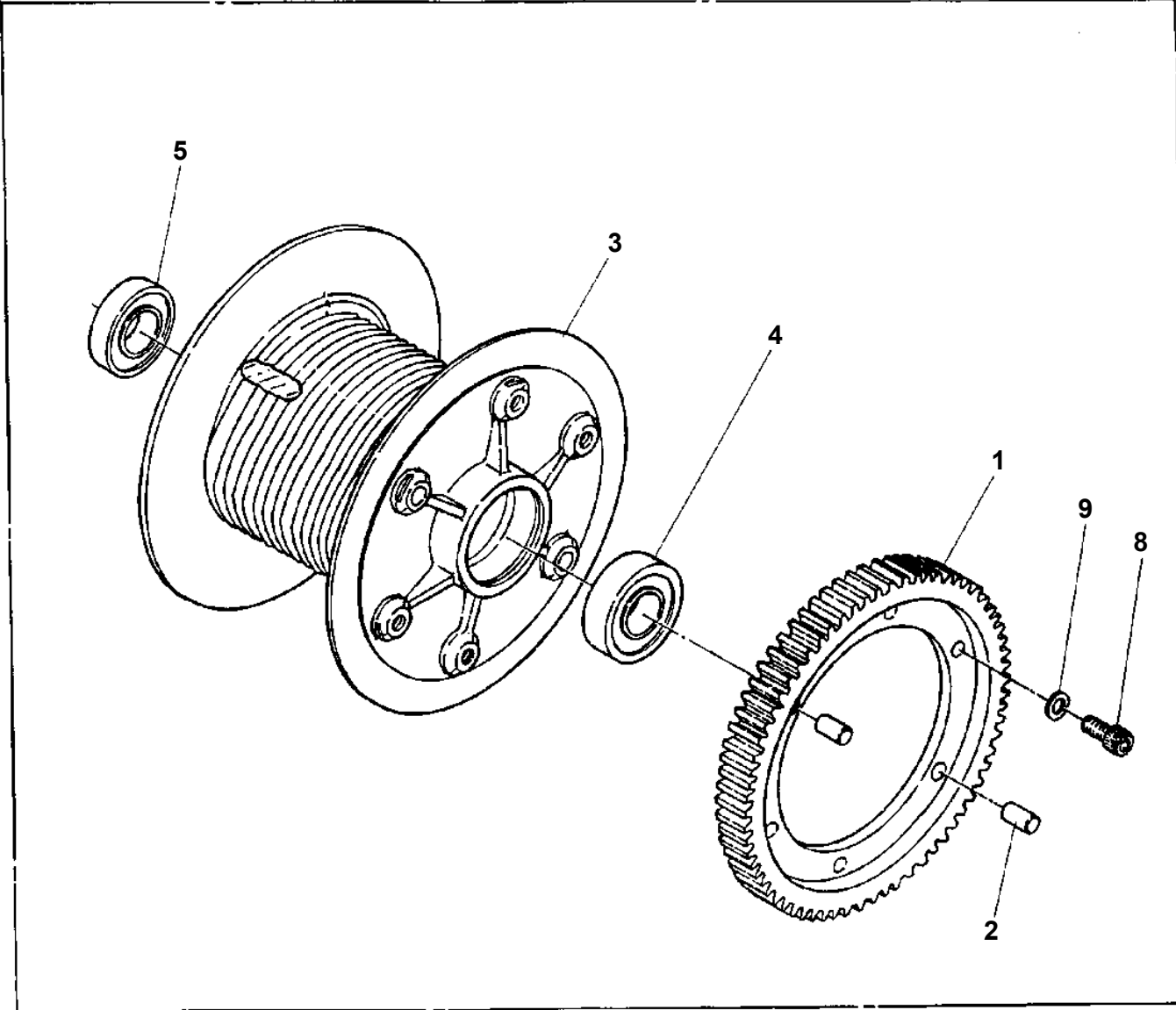
- Protective seal
- Replacement interval name plate

TM-ZF300 31013010321A FRAME/SL,REMOTE-RADIO CONT.,HOOK-IN
 PF1010269-01 WINCH (3TON SELF, RADICON)

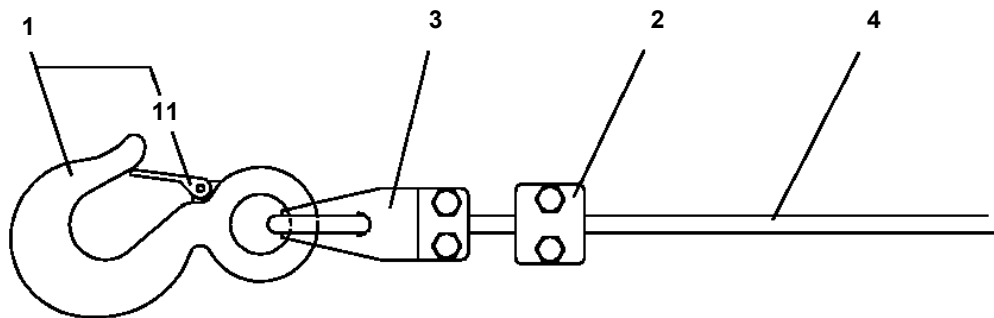
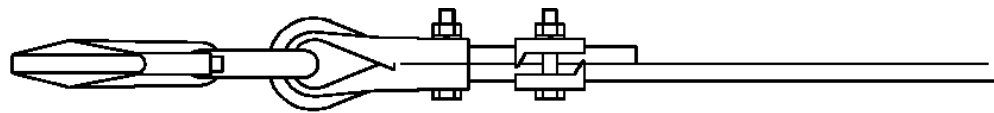
指示番号 KEY NO.	ウインチ (3TONセルフ,ラジ* コンシヨウ) WINCH (3TON SELF, RADICON)
1	ウインチ WINCH
2	フック HOOK
3	オペ* .ASSY,ソウサハ* ルフ* OPE.ASSY,CONT.VALVE
4	パ* イピ* ング* ,ウインチ PIPING,WINCH
6	ストツハ* ,タイヤ STOPPER,TIRE
7	プ* レートASSY,ネーム PLATE ASSY,NAME
8	ハイセンASSY ELEC.ASSY
9	ラジ* オ コントロール RADIO CONTROL
12	パ* イピ* ング* ,ロワー PIPING,LOWER
13	バ* ルフ* ,リモート コントロール VALVE,REMOTE CONTROL

TM-ZF300 31013010321A FRAME/SL,REMOTE-RADIO CONT.,HOOK-IN
PF1020004-01 DRUM,WINCH (HARTYS)

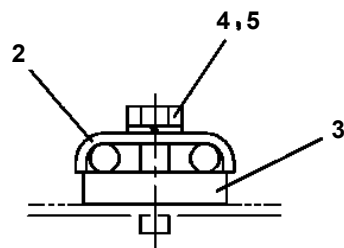
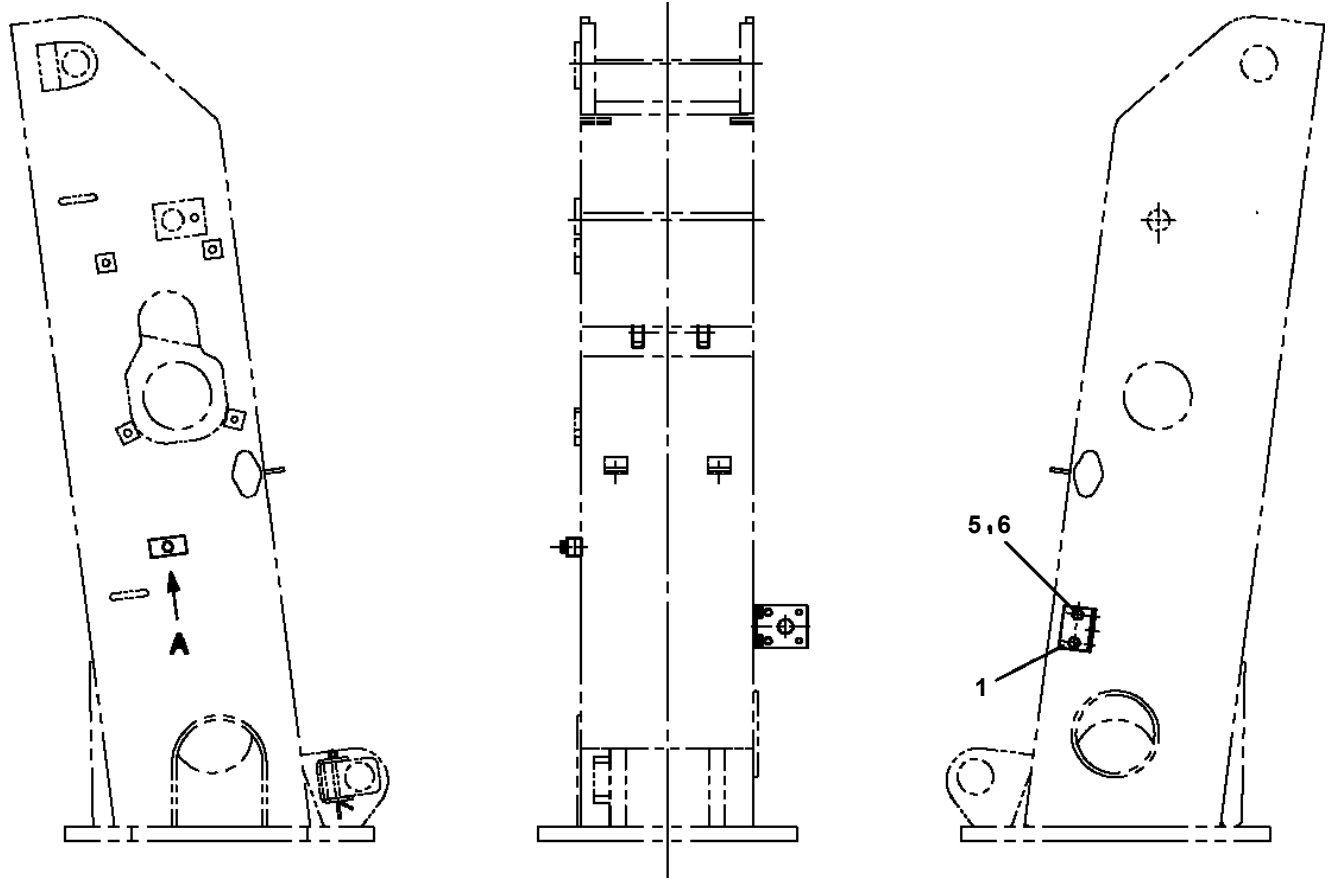
20



TM-ZF300 31013010321A FRAME/SL,REMOTE-RADIO CONT.,HOOK-IN
PF1050223-02 HOOK (3TON SELF WINCH)

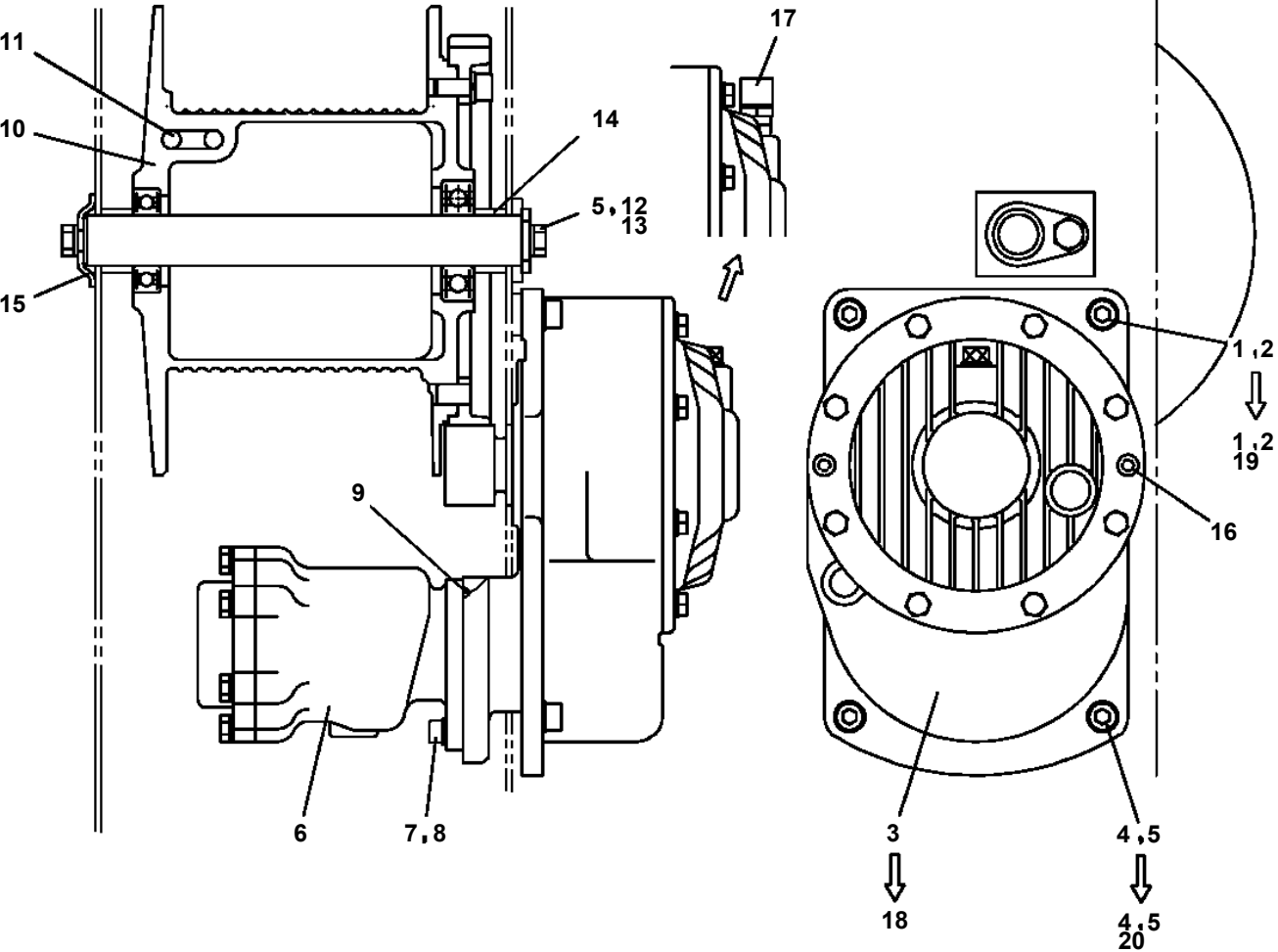


**TM-ZF300 31013010321A FRAME/SL,REMOTE-RADIO CONT.,HOOK-IN
PF1080001-00 SUPPORT (DRUM FREE,OPTION)**



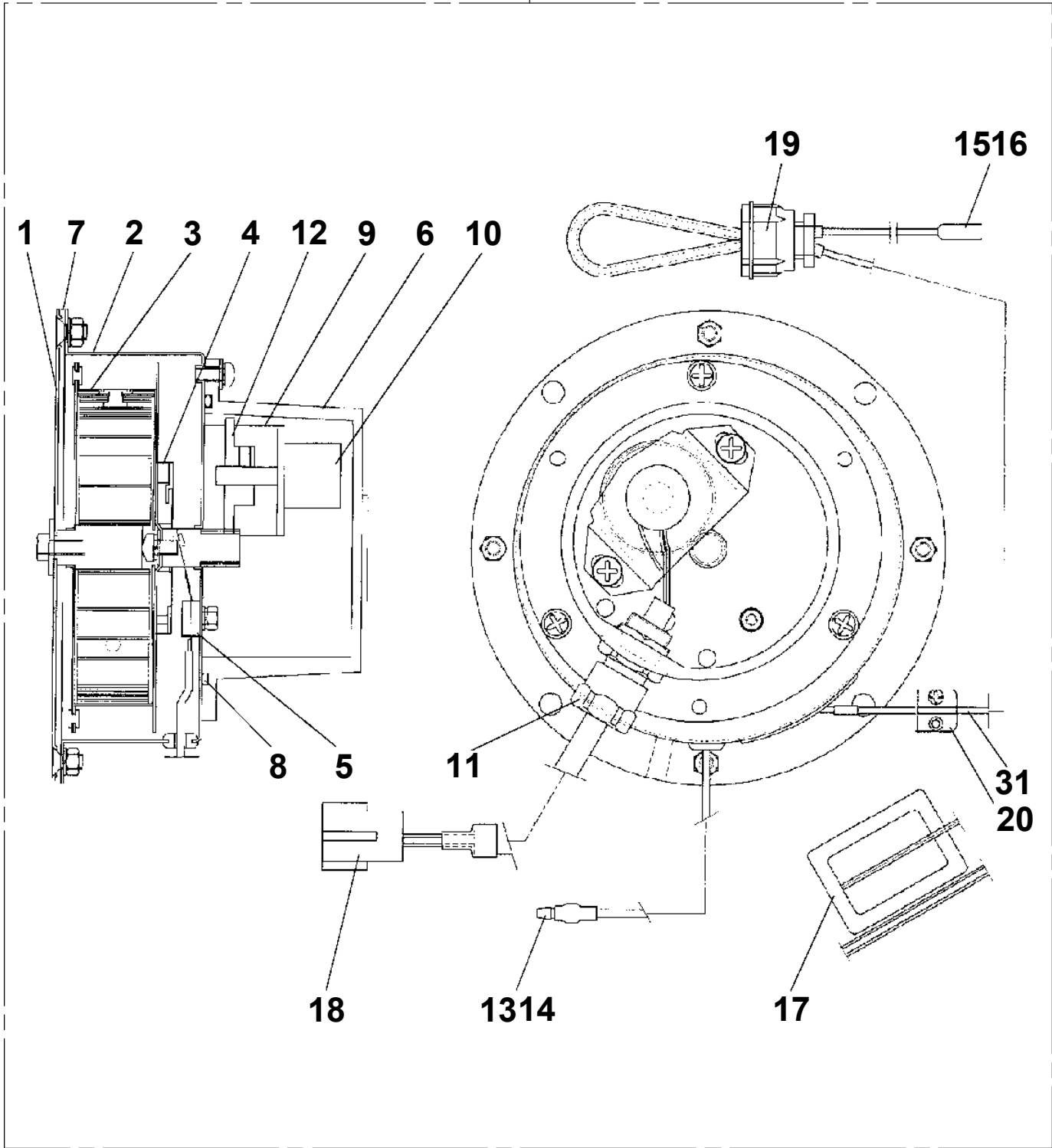
A

TM-ZF300 31013010321A FRAME/SL,REMOTE-RADIO CONT.,HOOK-IN
PF1400204-06 MOUNT,WINCH

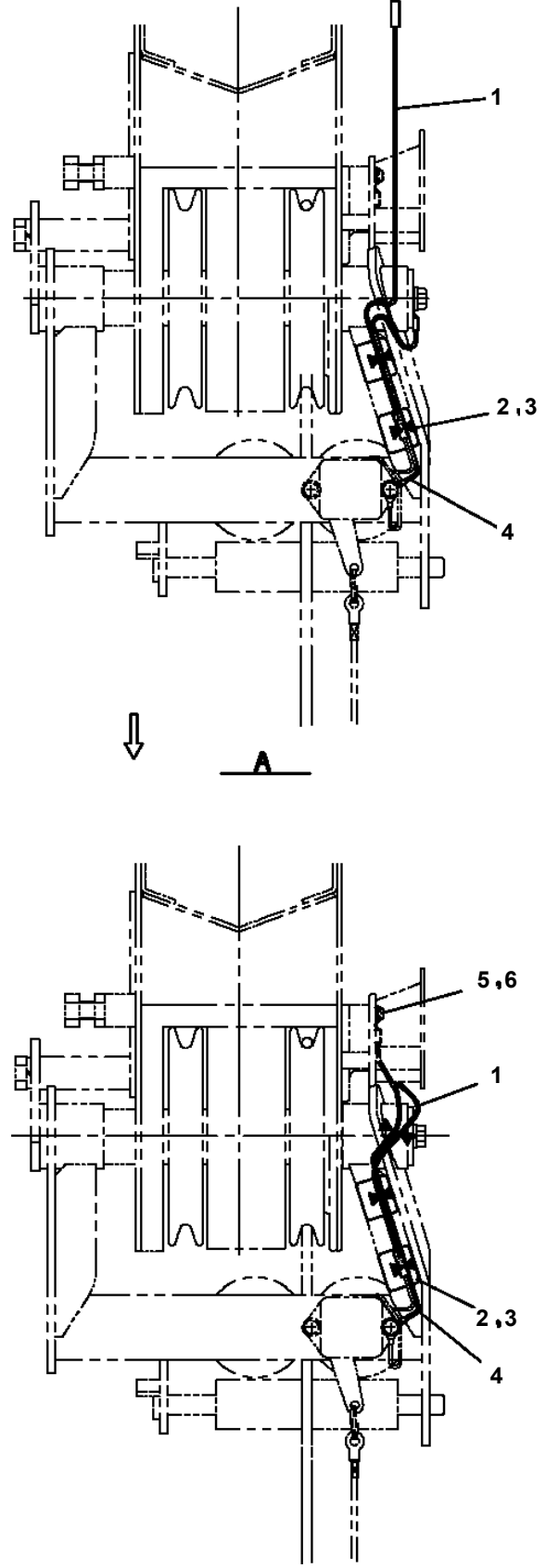
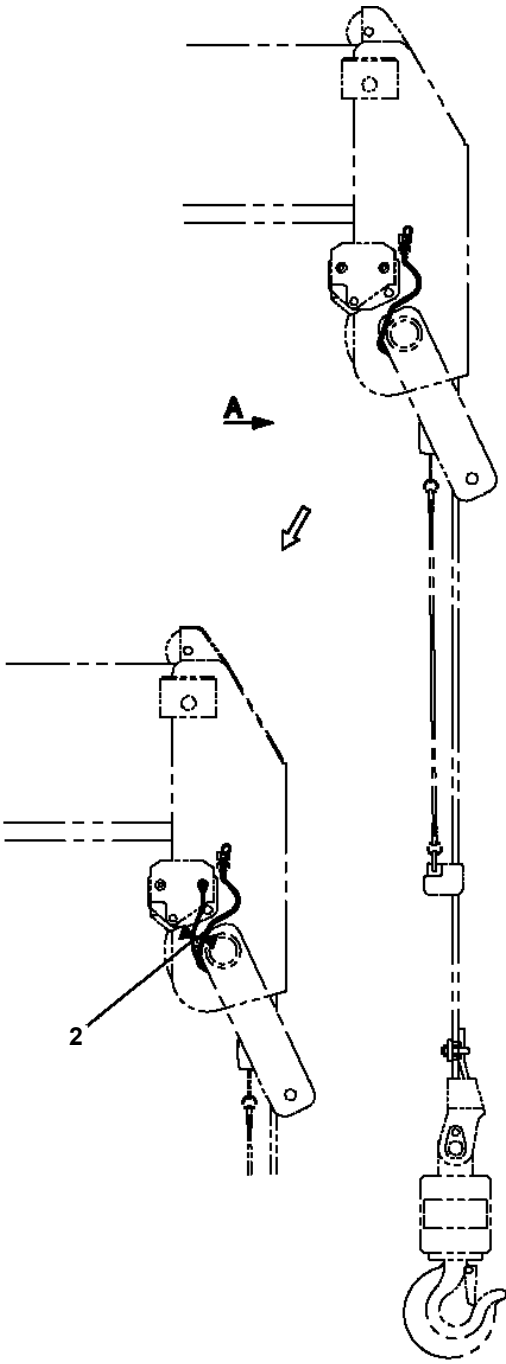


TM-ZF300 31013010321A FRAME/SL,REMOTE-RADIO CONT.,HOOK-IN
PG1130135-00 DETECTOR,BOOM LENGTH

100

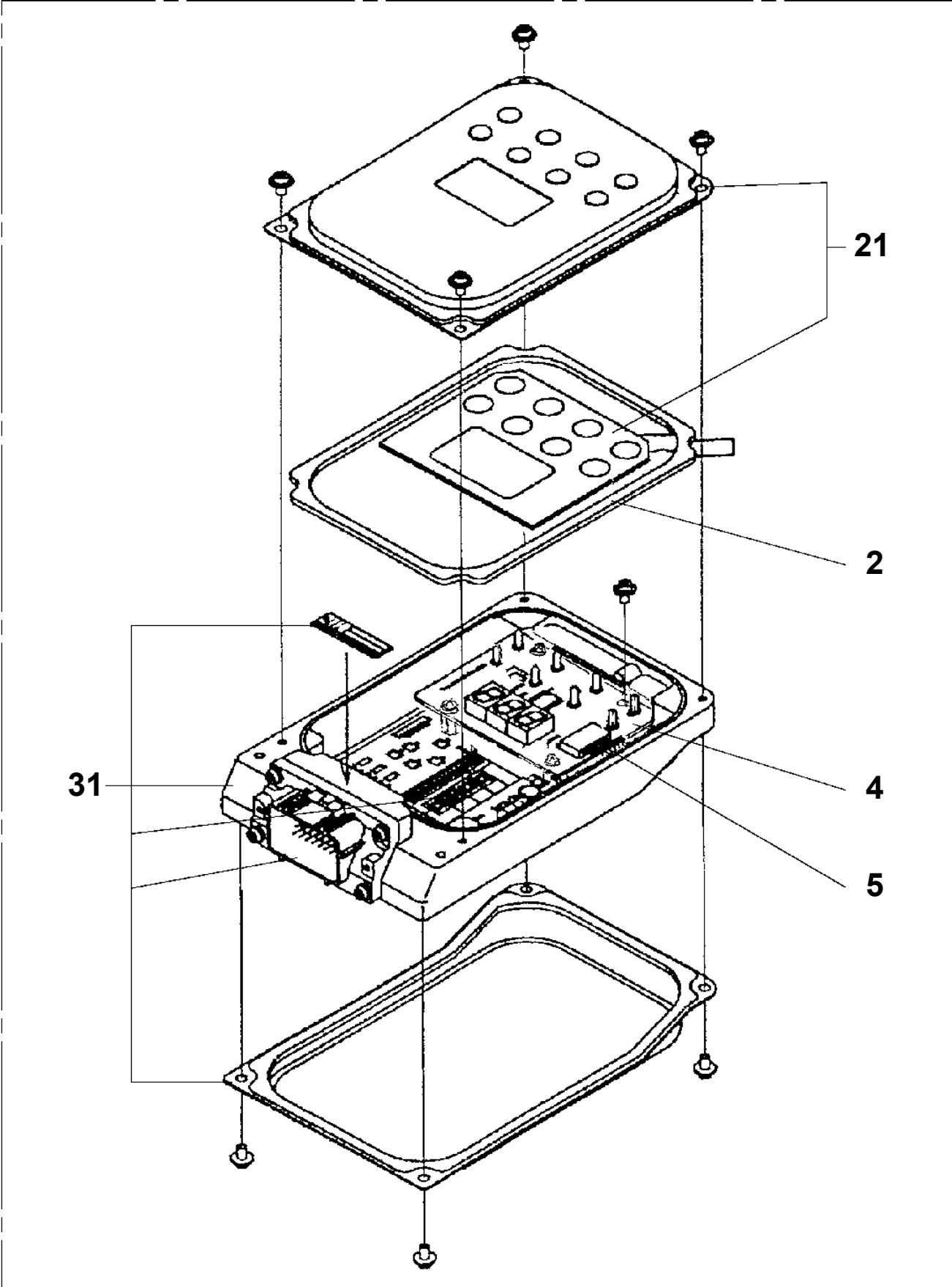


**TM-ZF300 31013010321A FRAME/SL,REMOTE-RADIO CONT.,HOOK-IN
PH1060266-01 DETECTOR,OVER WINDING (OPTION)**

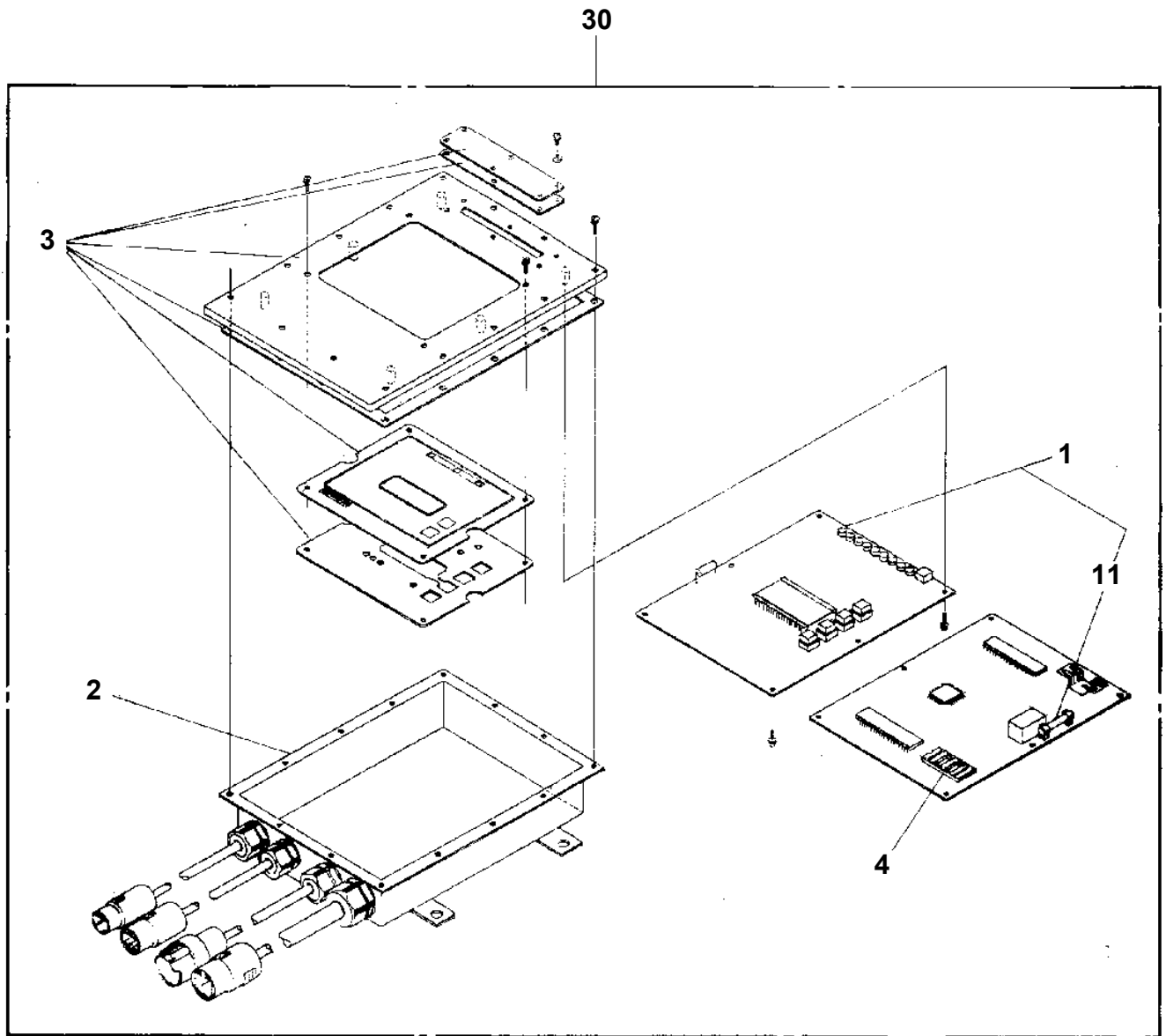


TM-ZF300 31013010321A FRAME/SL,REMOTE-RADIO CONT.,HOOK-IN
PH1250066-00 MOMENT LIMITER (BML)

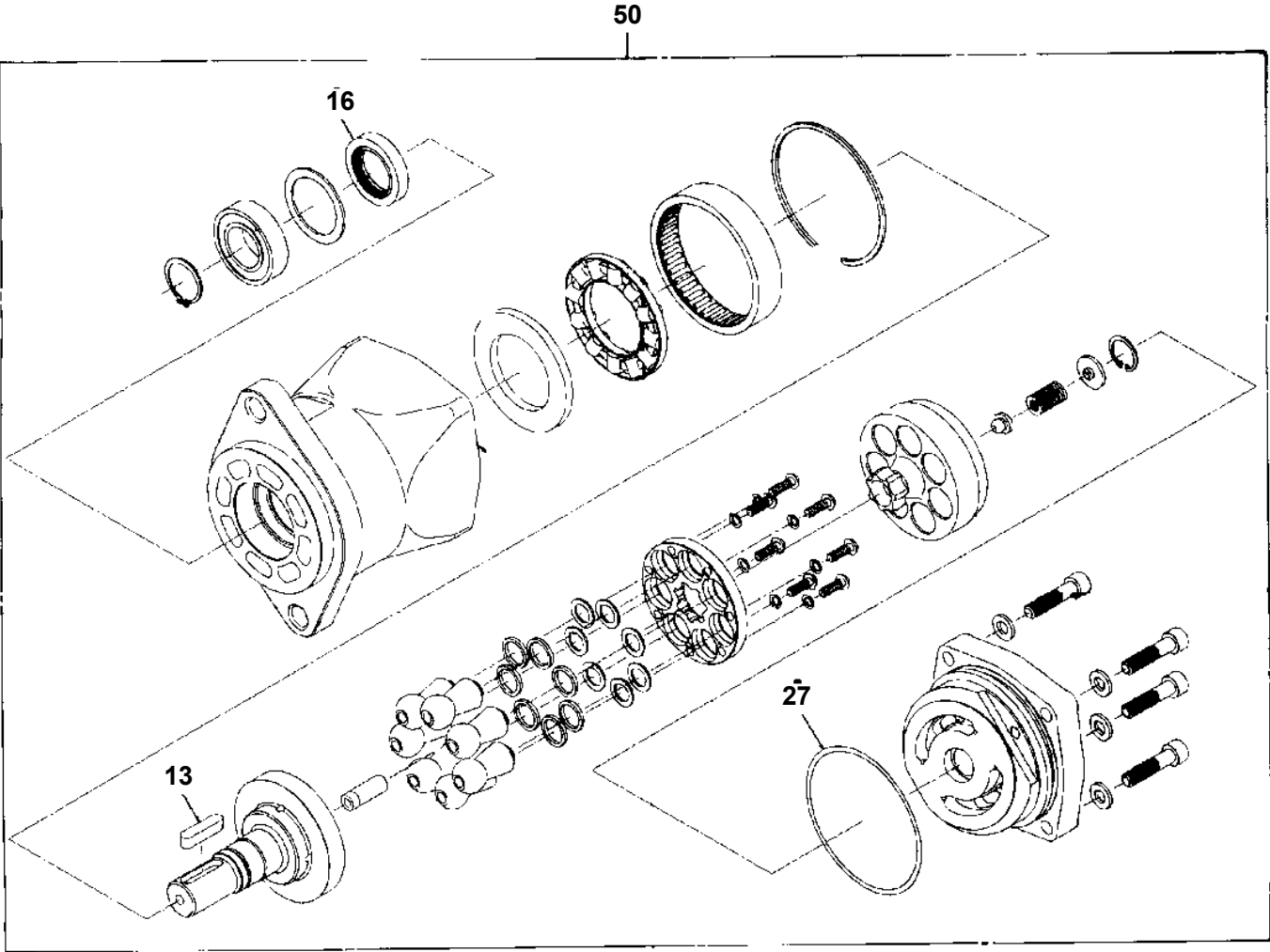
100



TM-ZF300 31013010321A FRAME/SL,REMOTE-RADIO CONT.,HOOK-IN
PH1350007-00 WORKING AREA LIMITER (AWL-N)



**TM-ZF300 31013010321A FRAME/SL,REMOTE-RADIO CONT.,HOOK-IN
PI1010086-00 MOTOR,HYDRAULIC**



• SEAL KIT KEY NO.40:(KEY NO.1627)

TM-ZF300 31013010321A FRAME/SL,REMOTE-RADIO CONT.,HOOK-IN

Pos No.	Parts No	Parts Name	Qty	Unit	Technical Data	Serial No (Start)	Serial No (End)	Remark
3	91001203500	O-RING	1		1A G35			
8	91002801600	O-RING	1		1B P16			
13	91001101200	O-RING	2		1A P12			
14	91002801800	O-RING	1		1B P18			
20	36602100000	VALVE,COUNTERBALANCE	1					

TM-ZF300 31013010321A FRAME/SL,REMOTE-RADIO CONT.,HOOK-IN

Pos No.	Parts No	Parts Name	Qty	Unit	Technical Data	Serial No (Start)	Serial No (End)	Remarks
1	36672285010	HEAD ASSY	1					
2	36670109511	FILTER,CARTRIDGE	1				KE1209	
	36672580000	FILTER,CARTRIDGE	1			KE1210		
10	36672280000	FILTER,OIL (YAMASHIN)	1					

TM-ZF300 31013010321A FRAME/SL,REMOTE-RADIO CONT.,HOOK-IN

Pos No.	Parts No	Parts Name	Qty	Unit	Technical Data	Serial No (Start)	Serial No (End)
1	36682940000	METER,LOAD (3.2TON ENG.&CHINESE/NAGANO)	1				

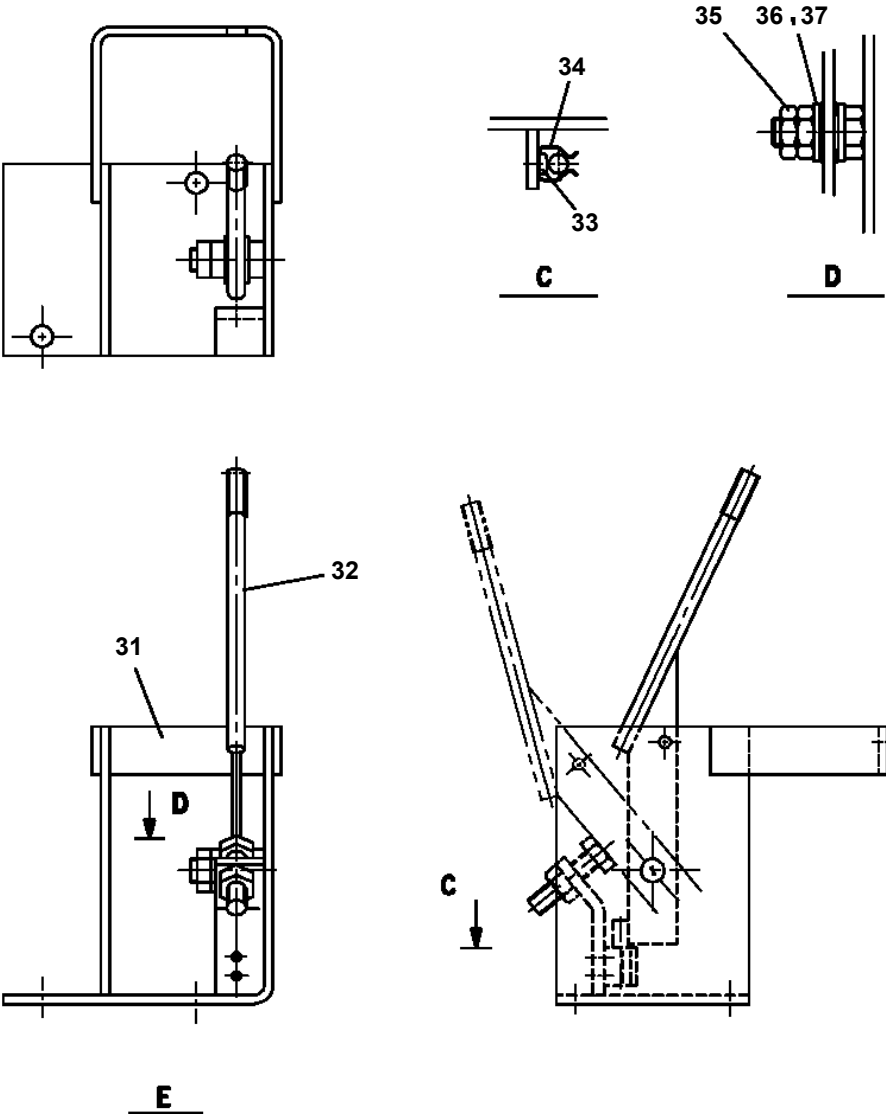
TM-ZF300 31013010321A FRAME/SL,REMOTE-RADIO CONT.,HOOK-IN

Pos No.	Parts No	Parts Name	Qty	Unit	Technical Data	Serial No (Start)	Serial No (End)	Remarks	Pages
1	31230580100	POST	1						
2	37000202780	PIN (WELDING)	1						
	37000205240	PIN (MACHINING)	1			ER1969			
3	80136363080	PIN,SPLIT	1		6.3X80				
4	37000202270	PIN (WELDING)	1						
	37000205260	PIN (MACHINING)	1			ER1969			
5	31230412000	COVER	1						
6	37000527860	PLATE	1		T=1.5				
7	90101210016	BOLT	2		M10X16				
8	82458202000	NIPPLE,GREASE	1		B-TYPE PT1/8				
9	82400000459	CAP	1						
10	31230582200	COVER	1						
11	90101208012	BOLT	4		M8X12				
12	90302040801	WASHER,SPRING	4		8				

TM-ZF300 31013010321A FRAME/SL,REMOTE-RADIO CONT.,HOOK-IN

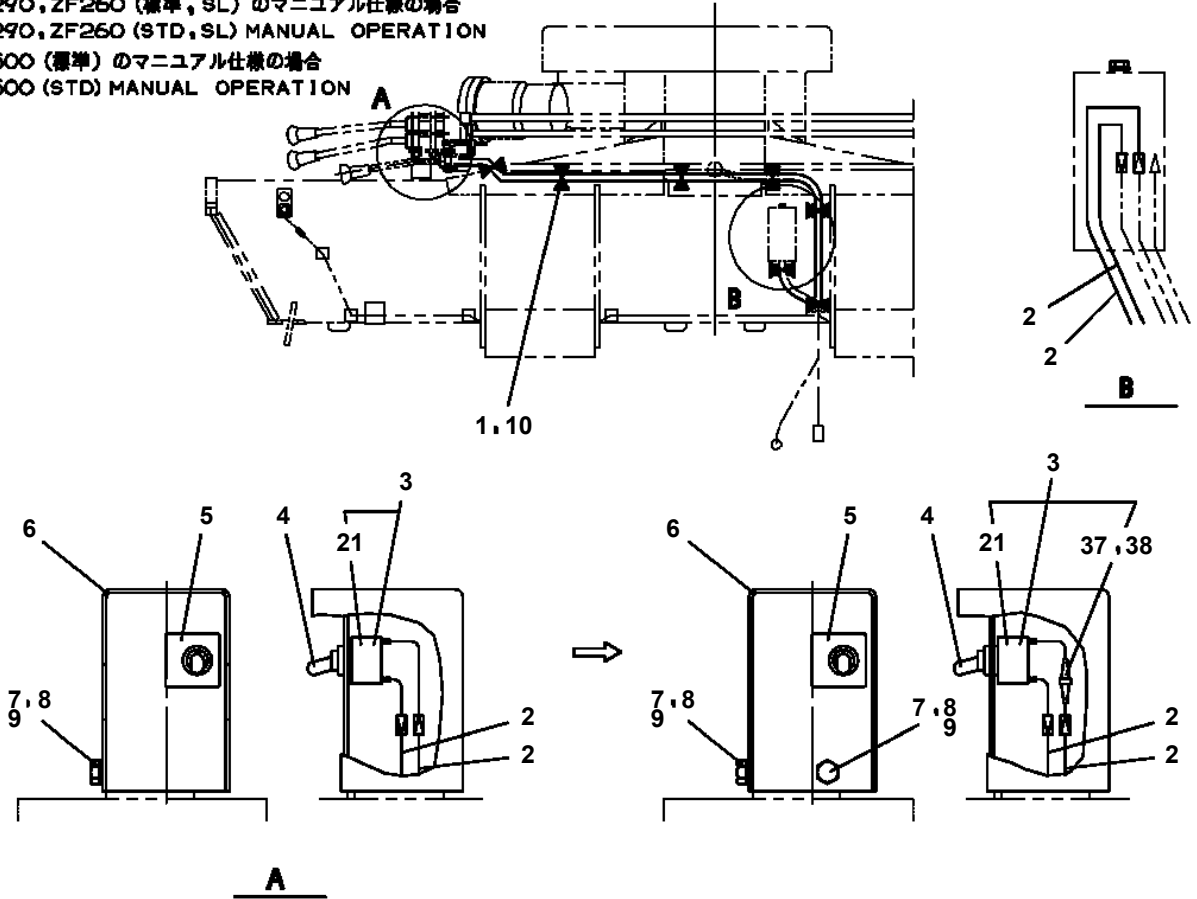
Pos No.	Parts No	Parts Name	Qty	Unit	Technical Data	Serial No (Start)	Serial No (End)	Remarks	Pages
1	31322224200	PLATE	7		L=1				
2	37000147840	PIN	2						
3	80620210050	PIN,SNAP	6						
4	90101210025	BOLT	2		M10X25				
5	90302041001	WASHER,SPRING	2		10				
6	90201201000	NUT	2		M10				
7	37001706340	CABLE,CONTROL	1		L=4000				
8	31710230100	LINK	1						
9	52442101000	PIN	1						
10	90303070601	WASHER,PLAIN	1		6				
11	80136332016	PIN,SPLIT	1		3.2X16				
12	31710230300	SUPPORT	1						
13	31322050510	KNOB (BLACK)	4						
15	37000307020	SPACER	1		L=4				
16	31320190090	SUPPORT	1						
17	37000104920	PIN	1						
18	37000157230	PIN ASSY	1						
19	31322432202	LEVER	1						
20	31322430101	SUPPORT	1						
21	31701060900	END	2						
22	37000105610	PIN	3		L=18				
23	37001706660	CABLE,CONTROL	1						
24	31322432301	ROD ASSY	1						
25	90171112020	BOLT	4		M12X20				
26	90302041201	WASHER,SPRING	4		12				
27	31322432401	LINK	1						
28	31322520101	SUPPORT	1						
29	37000310200	SPACER	2						
30	31701530200	END	1						
31	90203200800	NUT	1		M8				
32	37000129200	PIN	1						
33	31322432801	LEVER	1						
34	80136340020	PIN,SPLIT	3		4X20				
35	37000119080	PIN ASSY	1						
36	31322430300	SUPPORT	1						
37	31322470100	SUPPORT	1						
38	90101208014	BOLT	4		M8X14				
39	90302040801	WASHER,SPRING	4		8				
41	31322431101	LEVER	1						
42	31322431200	SUPPORT	1						
43	80136340020	PIN,SPLIT	3		4X20				
44	37000537270	PLATE	2						
45	31322431301	LEVER	1						
46	90101210040	BOLT	1		M10X40				
47	90203201000	NUT	1		M10				
48	12434402040	SPRING	1						
49	80172105006	SCREW,MACHINE	2		M5X6				
50	90203201200	NUT	2		M12				
51	90303071201	WASHER,PLAIN	2		12				
52	90309331201	WASHER	2		L12				
61	37000157220	PIN	1						
72	37000119090	PIN	1						

TM-ZF300 31013010321A FRAME/SL,REMOTE-RADIO CONT.,HOOK-IN
PL1010727-01 OPE.ASSY,CONT.VALVE (SL)

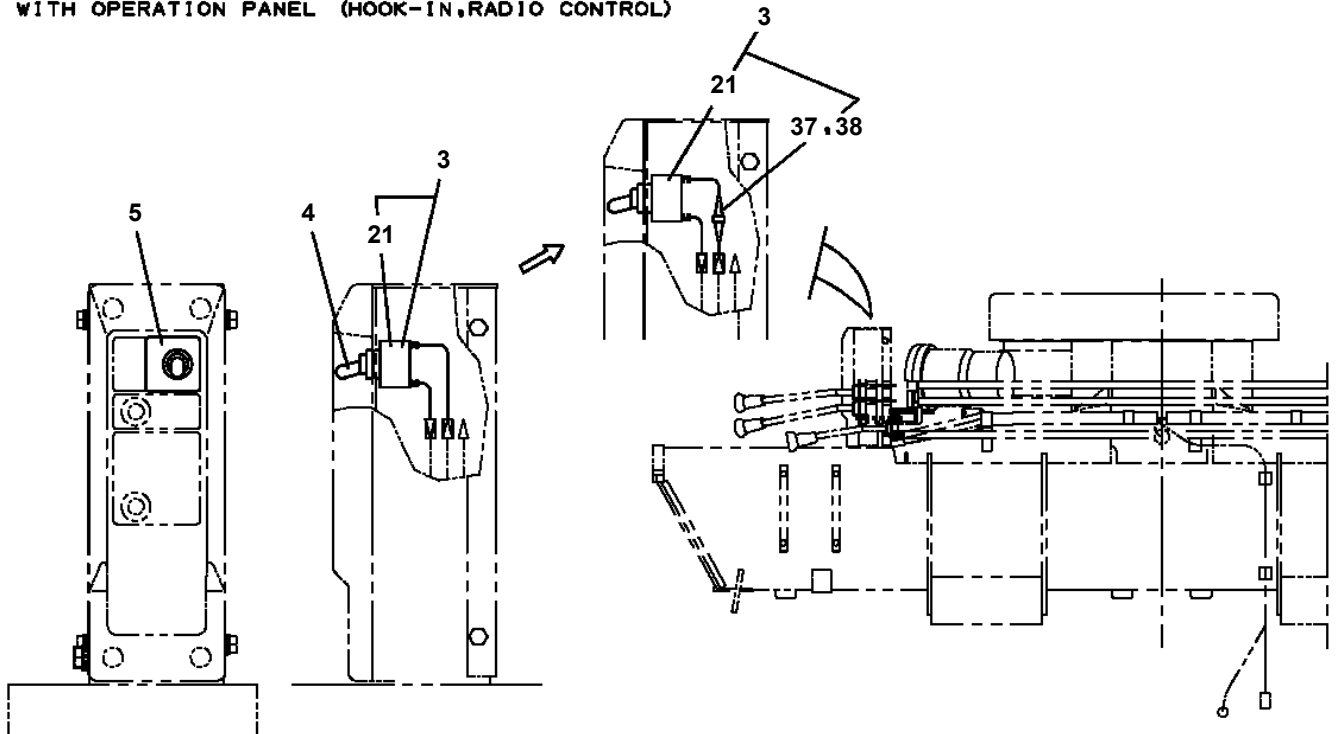


**TM-ZF300 31013010321A FRAME/SL,REMOTE-RADIO CONT.,HOOK-IN
PN1011422-02 ELEC.ASSY (LOWER,LAMP)**

(ZF300 (標準, SL) のマニュアル仕様の場合
ZF300 (STD, SL) MANUAL OPERATION
(ZF290, ZF260 (標準, SL) のマニュアル仕様の場合
ZF290, ZF260 (STD, SL) MANUAL OPERATION
(ZF500 (標準) のマニュアル仕様の場合
ZF500 (STD) MANUAL OPERATION



操作パネルがある場合 (フックイン, 及びラジコン仕様)
WITH OPERATION PANEL (HOOK-IN, RADIO CONTROL)



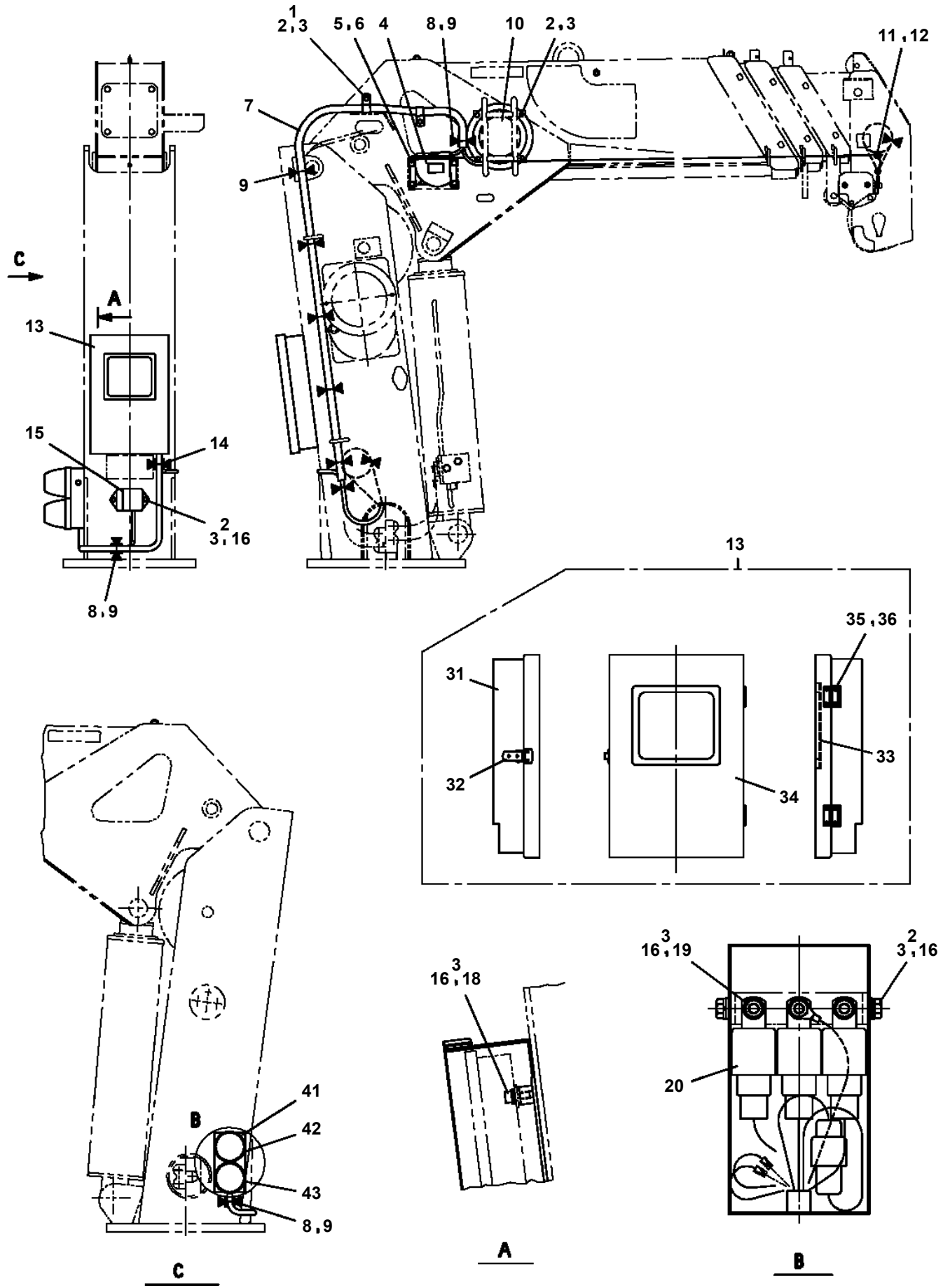
TM-ZF300 31013010321A FRAME/SL,REMOTE-RADIO CONT.,HOOK-IN

Pos No.	Parts No	Parts Name	Qty	Unit	Technical Data	Serial No (Start)	Serial No (End)	Remarks	Page
1	31473460300	HARNES (RED)	1		L=1600				
2	91810130240	FASTENER	12						
3	31473472100	HARNES (RED)	1		L=3000		KB0872		
	31501812100	HARNES	1		L=3000	KB0873			
4	82401601002	CLAMP	1						
5	31650690200	PLATE	2		T=9				
6	36160670000	REEL,CORD	1				KA8919		000
	36161770000	REEL ASSY,CORD	1			KA8920	KB0872		000
	36161700000	REEL ASSY,CORD	1			KB0873			000
7	90102206014	BOLT	5		M6X14				
8	90302040601	WASHER,SPRING	5		6				
9	90303070601	WASHER,PLAIN	4		6				
10	32200156090	SUPPORT	5						
11	82165904030	LAMP	1		24V 45W				
12	90201201000	NUT	1		M10				
13	90302040201	WASHER,SPRING (2)	1						
14	90813108020	BOLT,WING	1		M8X20				
15	90309331201	WASHER	2		L12				
16	90303071201	WASHER,PLAIN	1		12				
17	80136325025	PIN,SPLIT	1		2.5X25				
18	90236201200	NUT,CASTLE	1		2H M12				
19	31650690500	LEVER	1						
20	31650690400	SUPPORT	1						
21	31650690300	SUPPORT	1						
22	90201200600	NUT	1		M6				
23	82100000191	TERMINAL	1						
24	82100000183	INSULATOR	1						
31	82166025550	BULB,LAMP	1		24V 45W				
32	82100002850	LENS	1						

TM-ZF300 31013010321A FRAME/SL,REMOTE-RADIO CONT.,HOOK-IN

Pos No.	Parts No	Parts Name	Qty	Unit	Technical Data	Serial No (Start)	Serial No (End)
1	90101206075	BOLT	4		M6X75		
2	90302040601	WASHER,SPRING	25		6		EJ4067
	90302040601	WASHER,SPRING	21		6	EJ4068	
3	90303070601	WASHER,PLAIN	21		6		EJ4067
	90303070601	WASHER,PLAIN	17		6	EJ4068	
4	37000564360	PLATE	2				
5	31651760300	COVER	1				
6	31651760100	HARNESS	1				
8	82401601002	CLAMP	8				
9	91810130240	FASTENER	17				EJ4067
	91810130240	FASTENER	21			EJ4068	EJ8453
10	31652480100	HARNESS	1				
11	31651760500	COVER	2				
13	31651760400	COVER	2				
14	31651760700	ALARM ASSY	1				
15	90201200600	NUT	11		M6		EJ4067
	90201200600	NUT	7		M6	EJ4068	
16	90303070801	WASHER,PLAIN	7		8		
18	31651760600	HARNESS	1		L=1300		
19	90101208014	BOLT	6		M8X14		
20	90302040801	WASHER,SPRING	6		8		
21	82100002017	CLAMP	4		WR30		EJ4067
	91850100802	CLAMP	4			EJ4068	
22	80192486014	SCREW,MACHINE (WITH WASHER)	8		M6X14		
24	90101206010	BOLT	12		M6X1.0		
25	31651693000	SUPPORT	2				
26	91810130250	FASTENER	7				
27	31651760800	PLATE,CAUTION	2				
28	82401600510	CLAMP	1		10		
31	31651761100	PANEL	2				
32	82100002596	RELAY	3				KD2165
	34354781720	RELAY (WITH HARNESS)	3			KD2166	
34	31651761300	PLATE,NAME	1				
35	80192486010	SCREW,MACHINE	1		M6X10		
	80192486010	SCREW,MACHINE	1		M6X10		
	80192486010	SCREW,MACHINE	3		M6X10		KD2165
	80197586012	SCREW,MACHINE	3		M6X12	KD2166	
36	82197600101	CAP (BLACK)	5				
44	31651762200	PLATE,NAME	1				
45	82197518114	CAP (MATSUSHITA/BLACK)	2				
	82197518119	CAP (PLUS ONE MFG./BLACK)	2				
47	31651762300	HARNESS	1				
50	31651762400	COVER	1				
52	80192483010	SCREW,MACHINE	4		M3X10		
54	82100002490	CAP	1				
73	82100002478	CAP	1				
91	31651761400	SWITCH ASSY (GREEN:PANASONIC)	2				
92	31651761600	SWITCH ASSY (PLANTING:NACC)	2				
101	31651762500	SWITCH ASSY (GREEN:PANASONIC)	1				
121	82100001806	TUBE,CORRUGATE	2	M	22		
131	82100001807	TUBE,CORRUGATE	1	M	28		

**TM-ZF300 31013010321A FRAME/SL,REMOTE-RADIO CONT.,HOOK-IN
PN1011780-00 ELEC.ASSY (AWL)**



TM-ZF300 31013010321A FRAME/SL,REMOTE-RADIO CONT.,HOOK-IN

Pos No.	Parts No	Parts Name	Qty	Unit	Technical Data	Serial No (Start)	Serial No (End)	Remarks
1	31652841000	SWITCH ASSY	1					
2	90101206045	BOLT	8		M6X45			
3	90302040601	WASHER,SPRING	10		6			
4	90303070601	WASHER,PLAIN	9		6			
5	31652840100	SUPPORT	1					
6	31475472100	HARNESS	1					
7	90101206010	BOLT	2		M6X1.0			
9	31652830300	SUPPORT	1					
10	31652391300	COVER	1					
11	90101208020	BOLT	4		M8X20			
12	90302040801	WASHER,SPRING	9		8			
13	90201200800	NUT	4		M8			
14	90101208012	BOLT	2		M8X12			
15	82100002004	CLAMP	1		WR8			
16	91810130240	FASTENER	14					
17	82401601002	CLAMP	12					
18	31652300100	COVER	1					
19	90101208014	BOLT	3		M8X14			
20	90303070801	WASHER,PLAIN	3		8			
21	31652160100	HARNESS	1		L=1400			
31	31651771700	PANEL	1					
32	31651752100	SWITCH ASSY	1					
33	31652831100	PLATE,NAME	1					
34	82197600103	CAP (RED)	1					
35	42433333300	LAMP ASSY (RED)<24V)	1					
41	90101206014	BOLT	2		M6X14			
42	90303070601	WASHER,PLAIN	4		6			
43	31652830110	COVER	1					
44	90302040601	WASHER,SPRING			6			
45	90201200600	NUT	2		M6			
46	82100002596	RELAY	1					
47	82100002597	RELAY	1					
51	82101419002	SWITCH,PUSH	1					
65	82100002462	LAMP,PILOT (RED)	1					

TM-ZF300 31013010321A FRAME/SL,REMOTE-RADIO CONT.,HOOK-IN

Pos No.	Parts No	Parts Name	Qty	Unit	Technical Data	Serial No (Start)	Serial No (End)	Remarks
1	82100002014	CLAMP	2		WR20			
2	90280200600	NUT,FLANGE	11		M6			
4	91810130240	FASTENER	19					
5	31360201101	HARNESS	1					
6	82401601002	CLAMP	6					
7	90186206010	BOLT,FLANGE	28		M6X10			
8	31360201200	SUPPORT	1					
9	90280200800	NUT,FLANGE	4		M8			
11	31360201010	SUPPORT	1					
12	90203401200	NUT	2		M16			
13	36140380000	DETECTOR,BOOM ANGLE	1					
14	90186208010	BOLT,FLANGE	4		M8X10			
15	90101205010	BOLT	4		M5X10			
16	90302040501	WASHER,SPRING	4		5			
17	31360191300	COVER ASSY	1					
18	31360191010	COVER (CORRUGATE TUBE)	1		L=1500			
19	31360201300	LAMP ASSY	2					
20	31360191600	BUZZER ASSY	1					
21	90303070601	WASHER,PLAIN	14		6			
22	31360201400	SUPPORT	1					
23	31360243000	INDICATOR ASSY	1					
24	31360191500	SUPPORT	2					
25	31360191030	SUPPORT ASSY	1					
26	31360201500	HARNESS	1					
27	31360551100	HARNESS	1					
28	31360551200	SWITCH ASSY	1					
29	31360551300	SUPPORT	1					
30	82100002596	RELAY	3					
31	82161201010	RELAY	1					
50	31360199510	PLATE	1					
51	31360191310	COVER	1					
52	31360191320	PLATE	1					
53	31360191330	SEAL	1					
54	82400000309	GROMMET	1	M	L=1000			
61	82199444321	LAMP	2					
62	31360201310	SUPPORT	2					
71	31360551210	SUPPORT	1					
72	31473744150	SWITCH ASSY	1					
73	82197600101	CAP (BLACK)	1					
74	42433333300	LAMP ASSY (RED)<24V	1					
75	42433333400	LAMP ASSY (GREEN) <24V	1					
76	31360551240	PLATE,NAME	1					

CLICK HERE TO **DOWNLOAD** THE COMPLETE MANUAL

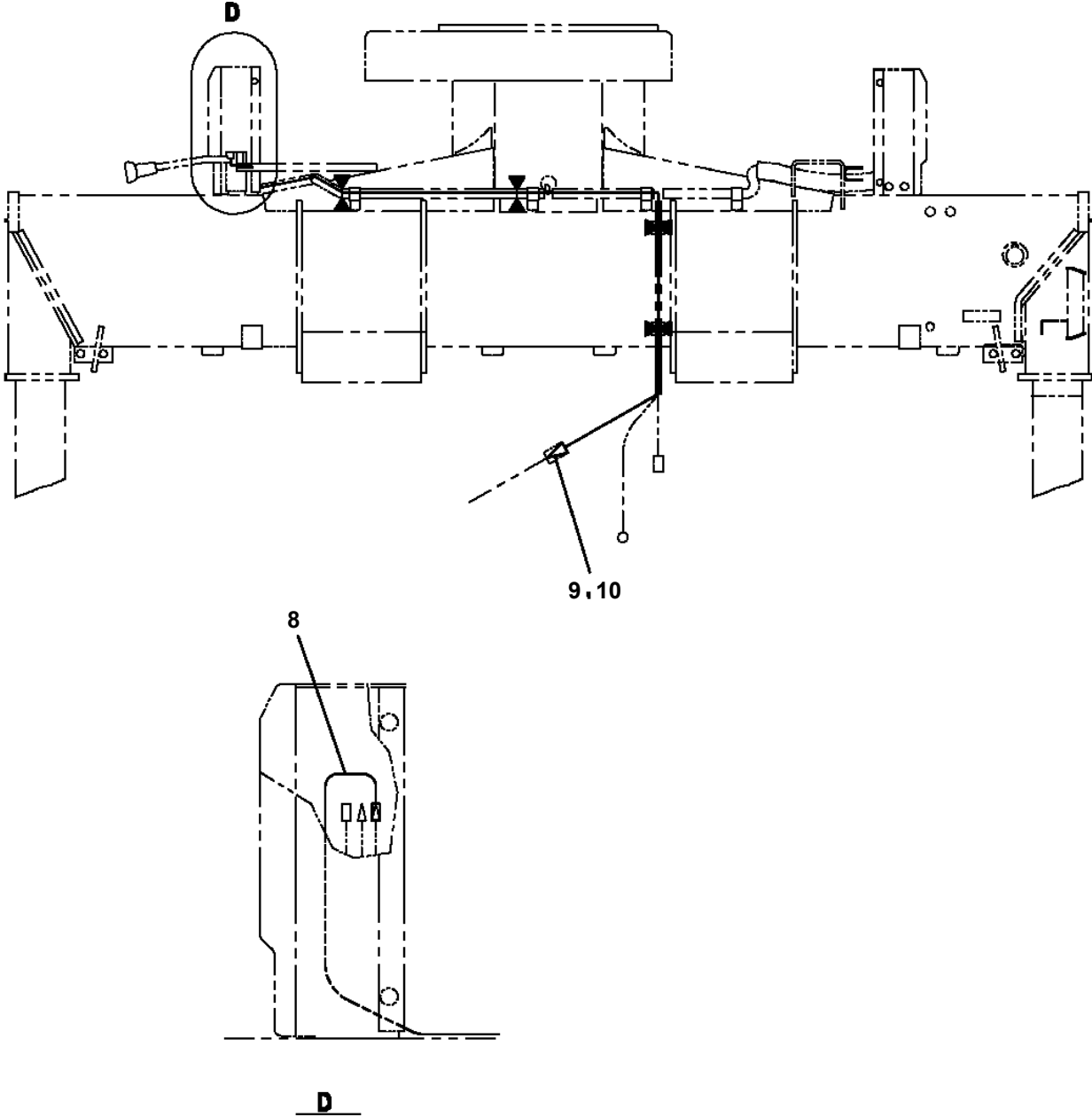
- Thank you very much for reading the preview of the manual.
- You can download the complete manual from: www.heydownloads.com by clicking the link below



- Please note: If there is no response to CLICKING the link, please download this PDF first and then click on it.

CLICK HERE TO **DOWNLOAD** THE COMPLETE MANUAL

TM-ZF300 31013010321A FRAME/SL,REMOTE-RADIO CONT.,HOOK-IN
PN1012772-01 ELEC.ASSY (ALARM,UPPER)



TM-ZF300 31013010321A FRAME/SL,REMOTE-RADIO CONT.,HOOK-IN

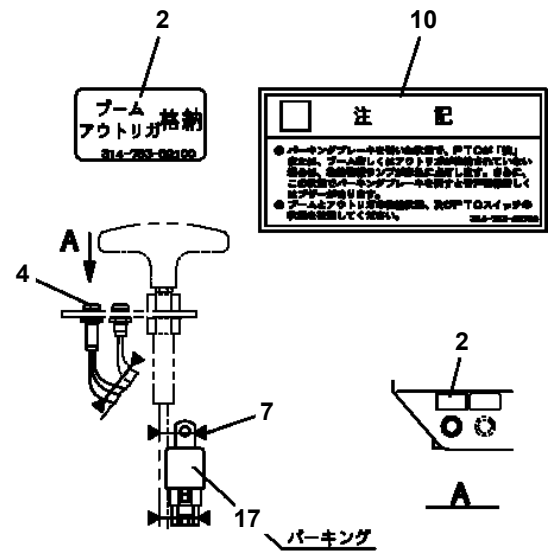
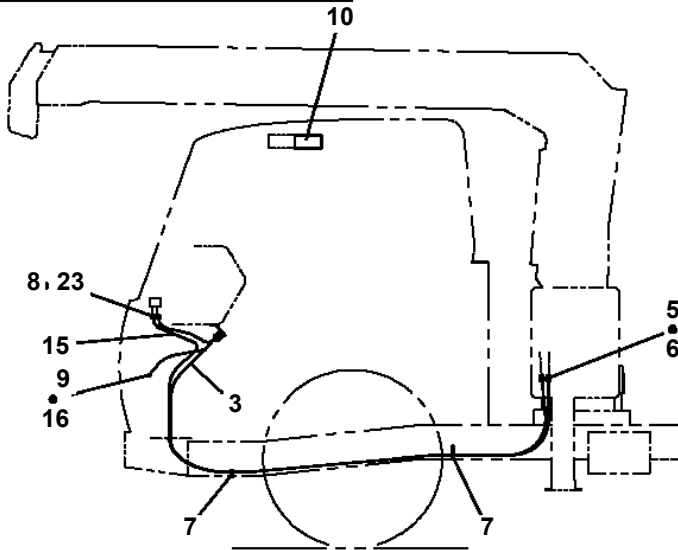
Pos No.	Parts No	Parts Name	Qty	Unit	Technical Data	Serial No (Start)	Serial No (End)
1	90101206030	BOLT	4		M6X30		
2	90302040601	WASHER,SPRING	13		6		
3	90303070601	WASHER,PLAIN	5		6		
4	31653221300	COVER	1				
5	90186206010	BOLT,FLANGE	12		M6X10		
6	82401601002	CLAMP	8				
7	91810130240	FASTENER	14				
8	31651760500	COVER	2				
10	31651760400	COVER	2				
11	31651760700	ALARM ASSY	1				
12	90201200600	NUT	7		M6		
13	90303070801	WASHER,PLAIN	6		8		
15	90101208014	BOLT	6		M8X14		
16	90302040801	WASHER,SPRING	6		8		
17	91850100802	CLAMP	4				
18	80192486014	SCREW,MACHINE (WITH WASHER)	8		M6X14		
19	31473795100	HARNESS	1				
20	31651693000	SUPPORT	2				
21	37000564360	PLATE	2				
22	31473795200	SUPPORT	1				
23	90101206016	BOLT	4		M6X16		
24	31651760800	PLATE,CAUTION	1				
25	31473790100	HARNESS	1				
41	31651761100	PANEL	2				
42	82100002596	RELAY	3				KD2165
44	31651761300	PLATE,NAME	1				
45	80192486010	SCREW,MACHINE	1		M6X10		
	80192486010	SCREW,MACHINE	3		M6X10		KD2165
46	82197600101	CAP (BLACK)	5				
64	31651861100	PLATE,NAME	1				
65	82197518119	CAP (PLUS ONE MFG./BLACK)	2				
	82197518114	CAP (MATSUSHITA/BLACK)	2				
67	31651762400	COVER	1				
69	31651762500	SWITCH ASSY (GREEN:PANASONIC)	1				
80	82100000745	FUSE	1		10A,6.5X30		
81	82100002832	HOLDER,FUSE	1				
91	31651761400	SWITCH ASSY (GREEN:PANASONIC)	2				
92	31651761600	SWITCH ASSY (PLANTING:NACC)	2				

TM-ZF300 31013010321A FRAME/SL,REMOTE-RADIO CONT.,HOOK-IN

Pos No.	Parts No	Parts Name	Qty	Unit	Technical Data	Serial No (Start)	Serial No (End)	Remarks	Pages
1	31361312100	HARNESS	1						000162
2	91810130240	FASTENER	7						
3	82100002854	CAP	1						
4	82100002855	CAP	1						
5	31361663100	HARNESS	1						

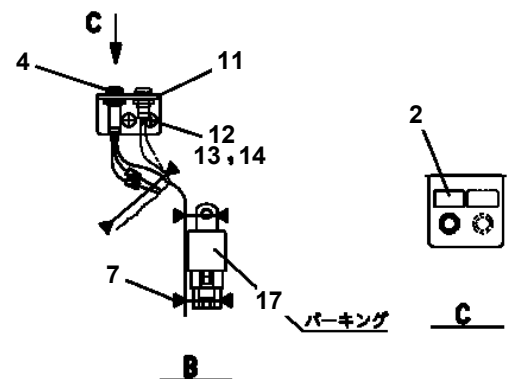
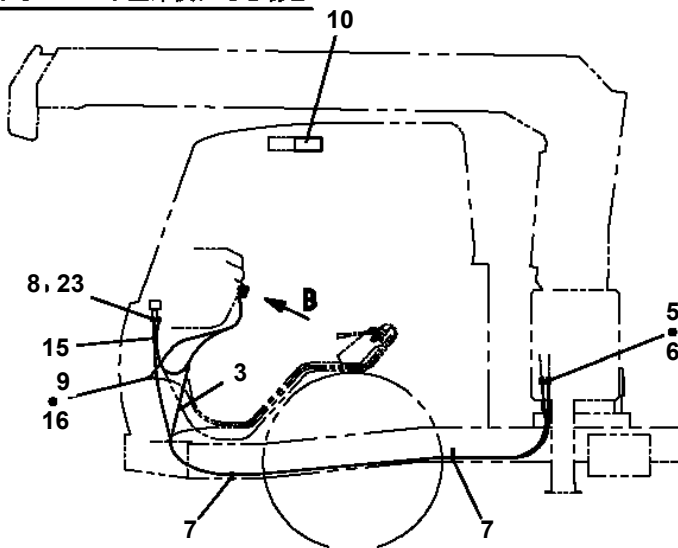
TM-ZF300 31013010321A FRAME/SL,REMOTE-RADIO CONT.,HOOK-IN PN1014341-01 ELEC.ASSY (CARRIER)

PTOレバーがハンドル横にある場合

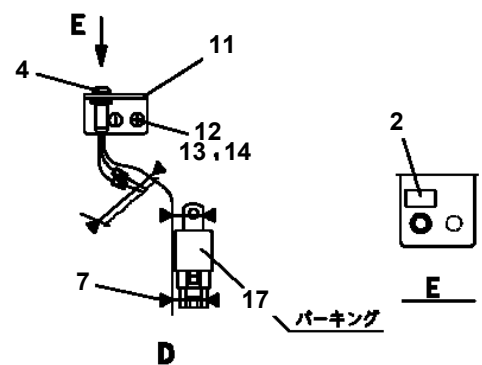
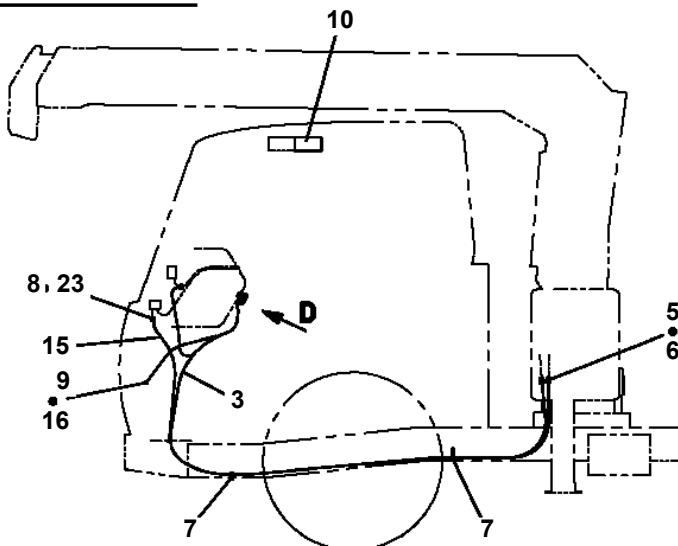


PTO操作部詳細

PTOレバーが座席横にある場合



純正PTO付きの場合



TM-ZF300 31013010321A FRAME/SL,REMOTE-RADIO CONT.,HOOK-IN

Pos No.	Parts No	Parts Name	Qty	Unit	Technical Data	Serial No (Start)	Serial No (End)
1	31394500100	PLATE,CAUTION	1				
2	31393180100	REFLECTOR (RED)	2				
3	31611300500	PLATE,NAME (WHITE)	4				
4	31395220250	PLATE,CAUTION	2				
5	37002213350	PLATE,NAME (TELESCOPING)	1				
6	37002213340	PLATE,NAME (TELESCOPING REAR)	1				
7	37002213360	PLATE,NAME	1				
8	37002213370	PLATE,NAME	1				
9	31394490500	PLATE,CAUTION	2				
10	31394500200	PLATE,CAUTION	1				
11	31395220260	PLATE,CAUTION	2				

TM-ZF300 31013010321A FRAME/SL,REMOTE-RADIO CONT.,HOOK-IN

Pos No.	Parts No	Parts Name	Qty	Unit	Technical Data	Serial No (Start)	Serial No (End)	Remarks
1	31394550200	PLATE,CAUTION	1					
2	12437013001	PLATE,NAME	1					
3	37002201460	PLATE,NAME	1					
4	37002206490	PLATE,NAME (GREASE)	2					
5	37002213060	PLATE,NAME (WINCH)	1					

TM-ZF300 31013010321A FRAME/SL,REMOTE-RADIO CONT.,HOOK-IN

Pos No.	Parts No	Parts Name	Qty	Unit	Technical Data	Serial No (Start)	Serial No (End)	Remarks	Pa
1	31360206010	PLATE,CAUTION	1						
2	31360206020	PLATE,CAUTION	1						
3	31360206030	PLATE,NAME (TON/%)	2						
4	37002201980	PLATE,NAME	1						

TM-ZF300 31013010321A FRAME/SL,REMOTE-RADIO CONT.,HOOK-IN

Pos No.	Parts No	Parts Name	Qty	Unit	Technical Data	Serial No (Start)	Serial No (End)	Remarks	P
1	31500512100	PLATE,CAUTION (AWL)	1						
3	31361473100	PLATE,NAME	2						

TM-ZF300 31013010321A FRAME/SL,REMOTE-RADIO CONT.,HOOK-IN

Pos No.	Parts No	Parts Name	Qty	Unit	Technical Data	Serial No (Start)	Serial No (End)	Remarks	Pages
1	31394471101	PLATE,NAME	1						
2	31394471201	PLATE,NAME	1						
3	31394471302	PLATE,NAME	2						
4	31394471402	PLATE,NAME	1						
5	37002213690	PLATE,NAME	1						

TM-ZF300 31013010321A FRAME/SL,REMOTE-RADIO CONT.,HOOK-IN

Pos No.	Parts No	Parts Name	Qty	Unit	Technical Data	Serial No (Start)	Serial No (End)	Remarks	Pages
1	31394353100	PLATE,NAME	1						
2	31394353200	PLATE,NAME	1						
3	31394353301	PLATE,NAME	2						
4	31394353401	PLATE,NAME	1						
5	37002213700	PLATE,NAME	1						

TM-ZF300 31013010321A FRAME/SL,REMOTE-RADIO CONT.,HOOK-IN

Pos No.	Parts No	Parts Name	Qty	Unit	Technical Data	Serial No (Start)	Serial No (End)	Remarks	Pages
1	31394482100	PLATE,NAME	1						
2	31394482200	PLATE,NAME	1						
3	31394482301	PLATE,NAME	2						
4	31394482401	PLATE,NAME	1						
5	37002213720	PLATE,NAME	1						

TM-ZF300 31013010321A FRAME/SL,REMOTE-RADIO CONT.,HOOK-IN

Pos No.	Parts No	Parts Name	Qty	Unit	Technical Data	Serial No (Start)	Serial N
2	(*****)	ELEC.ASSY (ANTENNA)	1				
3	(*****)	ELEC.ASSY (FRAME)	1				
4	(*****)	OPE.ASSY,CONT.VALVE (RADICON)	1				
5	(*****)	OPERATION SYSTEM, ACCELERATOR	1				
6	(*****)	MOUNT	1				
8	(*****)	PIPING,LOWER (REMOTE CONTROL VALVE)	1				
9	(*****)	PIPING,LOWER (REPLACE FILTER)	1				
21	36804911000	CONTROL UNIT	1				
22	36804912000	ANTENNA (FOR RADIO CONTROL)	1				KC1297
	36806972000	ANTENNA UNIT (ASSY ONLY)	1			KC1298	
23	36804913000	SWITCH BOX (RADIO CONTROL,LED TYPE)	1				KC1297
	36806973000	BOX,OPERATION	1			KC1298	
24	36804914000	BOX,STOWING	1				

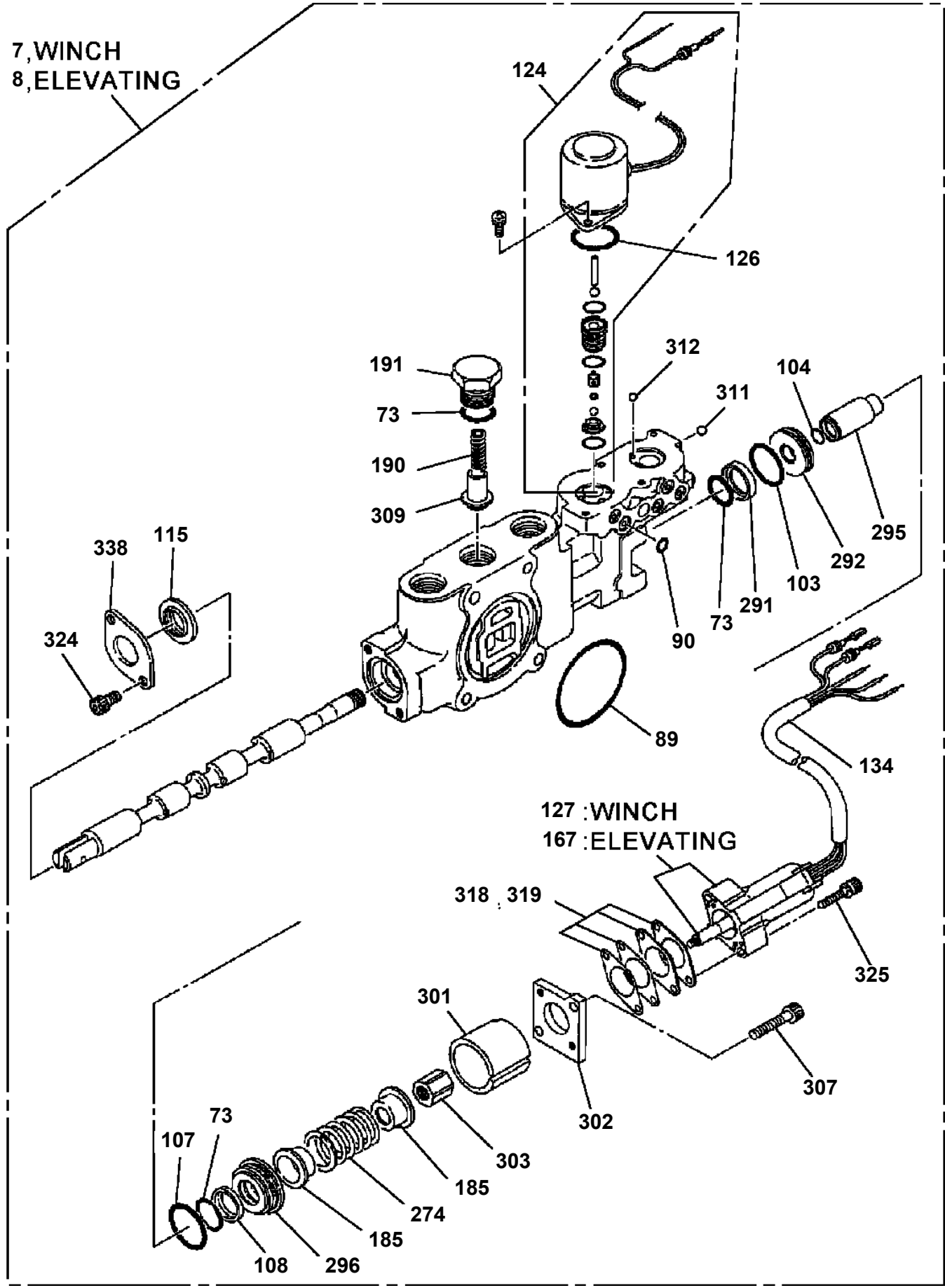
TM-ZF300 31013010321A FRAME/SL,REMOTE-RADIO CONT.,HOOK-IN

Pos No.	Parts No	Parts Name	Qty	Unit	Technical Data	Serial No (Start)	Serial No (End)
2	31631807510	CASE (RING)	1				
4	31631807520	SPACER	1				
11	31631807530	CLAMP (CABLE)	1				
15	31631807540	O-RING	1				
16	31631807550	PACKING	1				
101	31631807560	HOLDER ASSY,BRUSH (WITH BRUSH)	1				
900	31631803000	RING ASSY,SLIP	1				

TM-ZF300 31013010321A FRAME/SL,REMOTE-RADIO CONT.,HOOK-IN

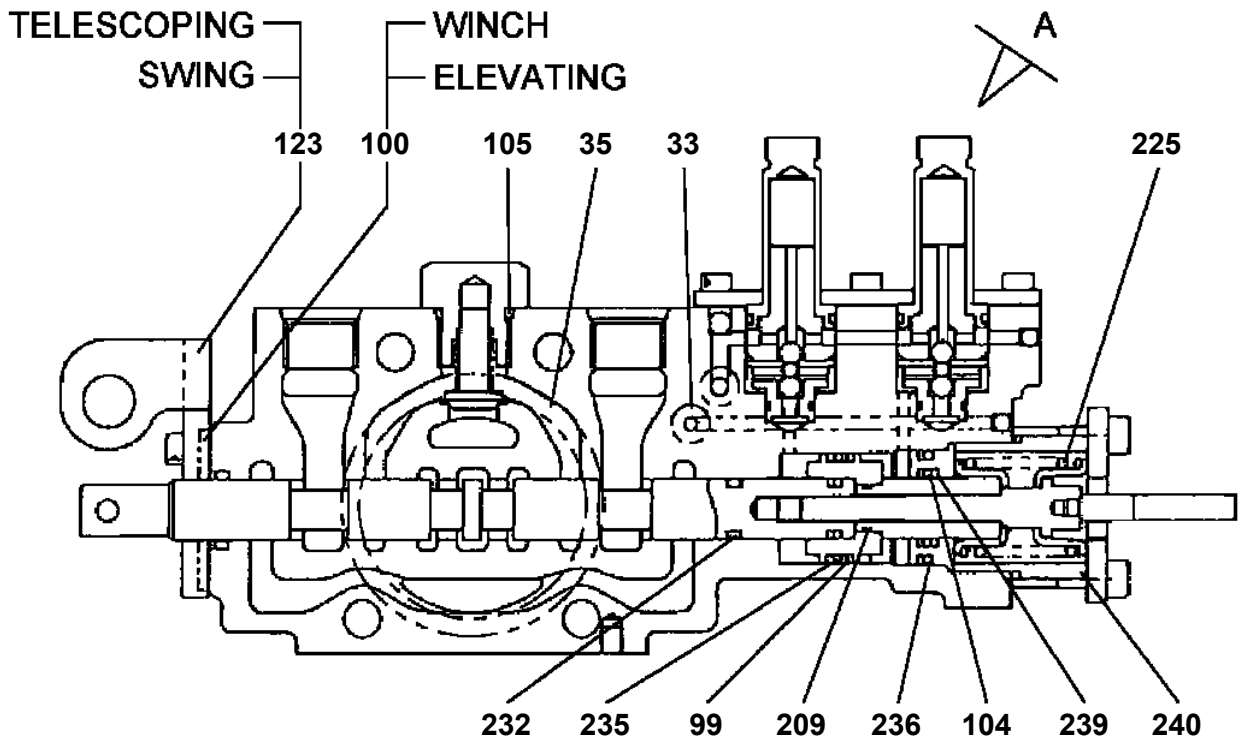
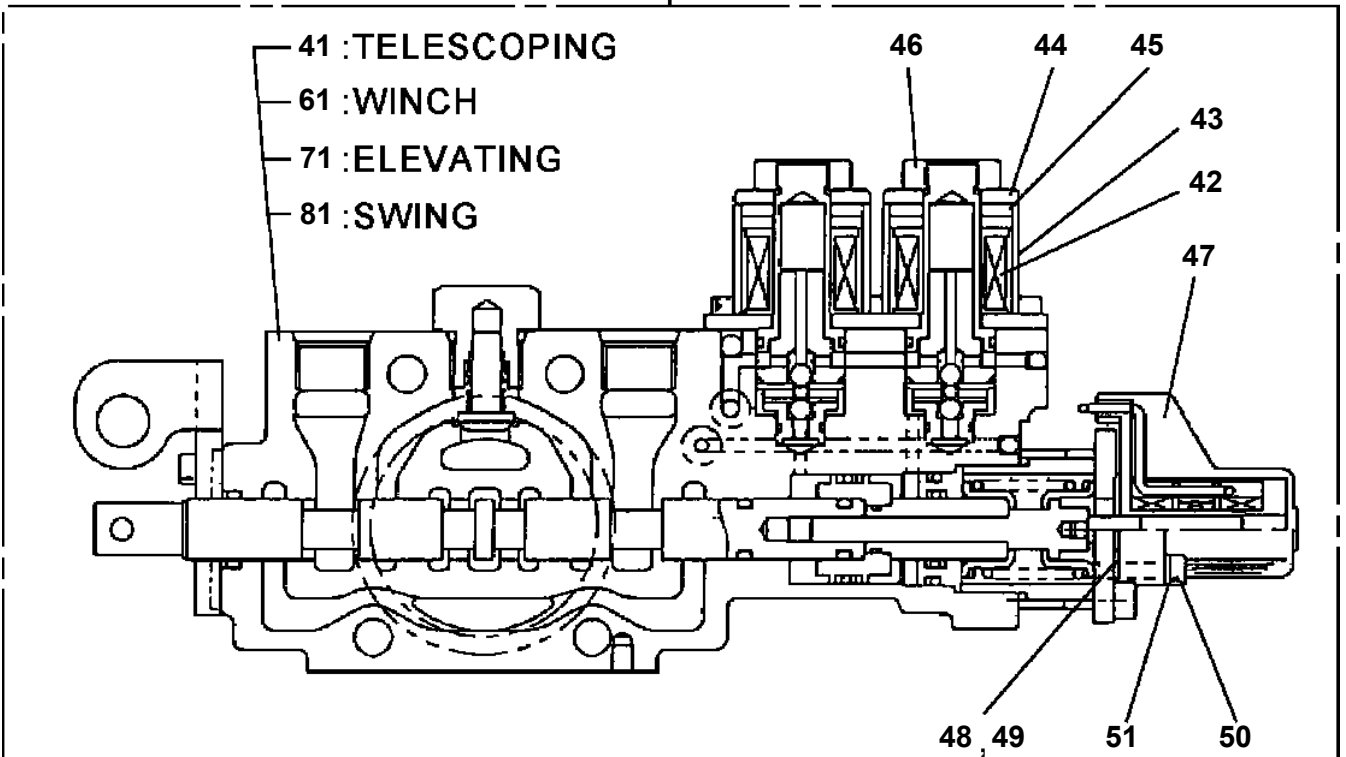
Pos No.	Parts No	Parts Name	Qty	Unit	Technical Data	Serial No (Start)	Serial No (End)
1	36800582000	SWITCH BOX (REMOTE CONTROL.M2)	1				
2	(*****)	STOWING BOX (REMOTE CONTROL)	1				
3	(*****)	ELEC.ASSY (REMOTE CONTROL)	1				

TM-ZF300 31013010321A FRAME/SL,REMOTE-RADIO CONT.,HOOK-IN
 PV1020107-06 VALVE,REMOTE CONTROL (SANWA)



TM-ZF300 31013010321A FRAME/SL,REMOTE-RADIO CONT.,HOOK-IN
 PV1020118-04 VALVE,REMOTE CONTROL (NACHI)

400



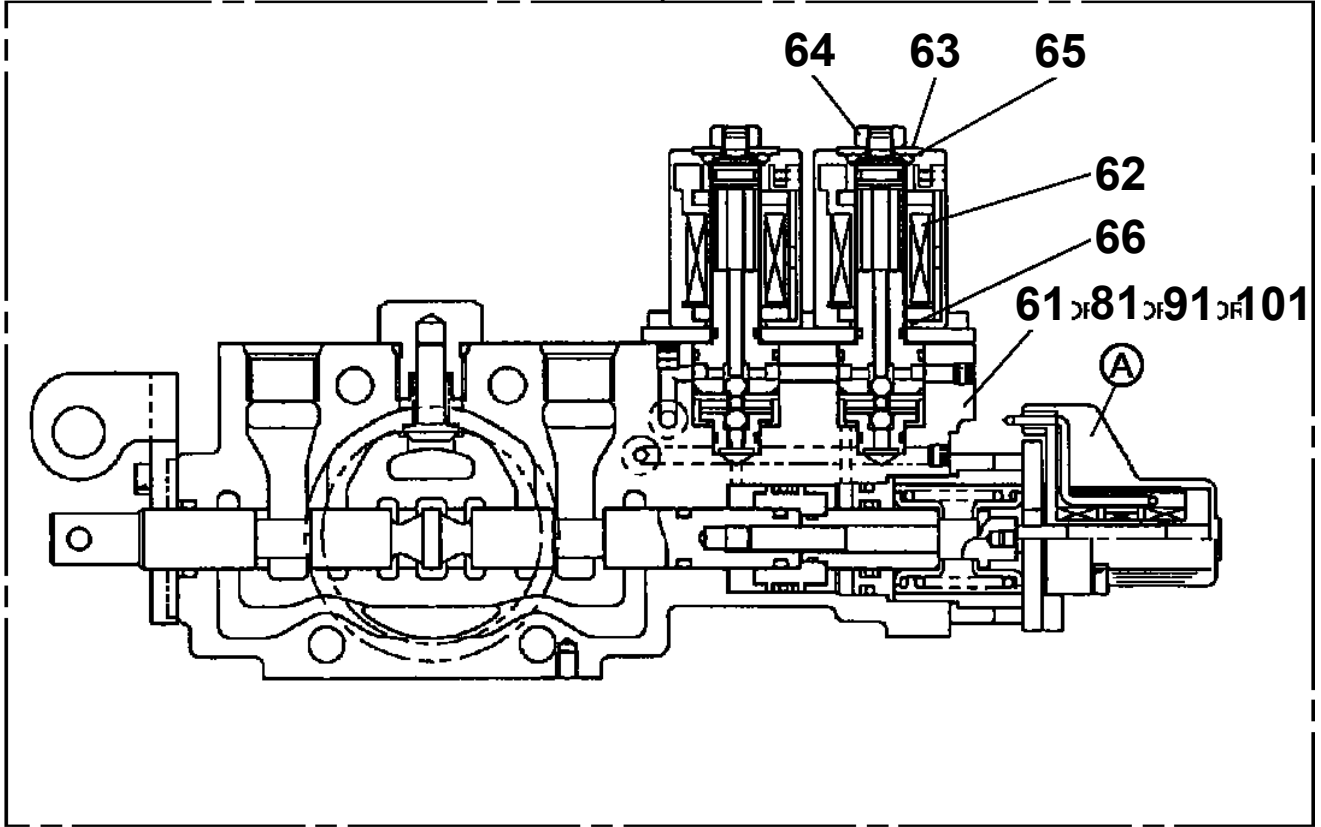
展開図有
 ILLUSTRATED BREAKDOWN NO.A

TM-ZF300 31013010321A FRAME/SL,REMOTE-RADIO CONT.,HOOK-IN

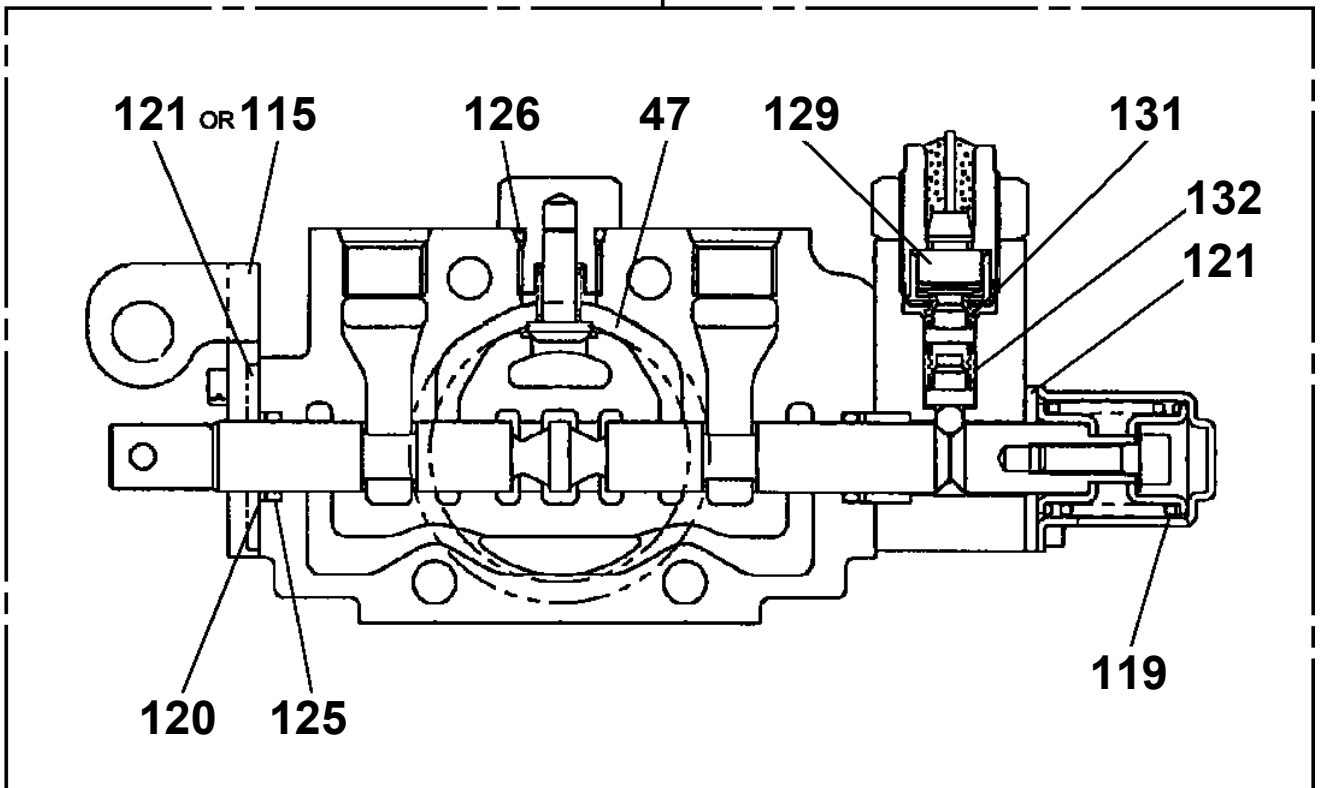
Pos No.	Parts No	Parts Name	Qty	Unit	Technical Data	Serial No (Start)	Serial No
1	36644795012	BLOCK,R.G.B.	1				
6	36646285010	BLOCK,VALVE	1				
7	36646285020	BLOCK,VALVE	1				
8	36646285030	PLATE	1				
9	36646285040	PLATE (END)	1				
10	36646285050	BOLT,TIE	4				
11	36646285060	CAP	4				
12	36643725281	VALVE,SOLENOID	1		28V		
21	36642415450	BOX	1				
22	36642415360	COVER (BOX)	1				
23	36645155190	CABLE (METAL CONNECTOR)	1				
24	36645155200	BOX ASSY (B6HS,FUSE & RELAY)	1				
25	36645155210	COIL ASSY (C6HS)	1				
26	36645155220	COIL ASSY (LVDT/D6HS)	1				
29	36643725260	ANGLE	1				
42	36644795100	CAP					
44	36645155090	SPRING (A)	1				
45	36645155100	SPRING (B)	1				
46	36642415120	SPRING (C)	1				
48	36642575030	FILTER	1				
53	91001100600	O-RING	10		1A P6		
54	91002802500	O-RING	1		1B P25		
55	91001205500	O-RING	7		1A G55		
58	36644795031	VALVE,RELIEF	1				
59	36642415151	VALVE,REDUCING	1				
71	36645155112	BLOCK,VALVE (TELESCOPING)	1				
72	36642415250	COIL,SOLENOID (WITHOUT CONNECTOR)	8				
73	36642415230	CASE (COIL)	8				
74	36642415240	YOKE (A)	8				
75	36642415270	YOKE (B)	16				
76	36642415280	NUT	8				
77	36642415290	COIL (LVDT, WITHOUT CONNECTOR)	4				
78	36642415300	SHIM (T=0.5)	8				
79	36642415310	SHIM (T=0.2)	8				
80	36062605020	BOLT,HEXAGON SOCKET(WITH WASHER)	8		M4X15		
81	36062605030	WASHER	8				
91	36645155122	BLOCK,VALVE (WINCH)	1				
101	36645155131	BLOCK,VALVE (ELEVATING)	1				
111	36645155142	BLOCK,VALVE (SWING)	1				
124	36642415330	SPRING	4				
128	36646285070	SPRING	2				
129	36642415220	RING,BACKUP	8				
130	36642415320	PLATE	4				
134	91001101400	O-RING	12		1A P14		
135	91002801400	O-RING	6		1B P14		
138	36645155160	SWITCH ASSY	1				
140	36645155170	SPRING (A)	1				
141	36645155180	SPRING (B)	1				
153	36645605110	PLATE (FULCRUM)	3				
159	36646285080	BOLT,HEXAGON SOCKET	2				
160	36646285090	BOLT,HEXAGON SOCKET	1				
161	36646285100	BOLT,HEXAGON SOCKET	2				
162	36646285110	WASHER,PLAIN	1				
173	36642415351	COIL KIT (28V.WITH SPRING & O-RING)	1				
174	36643725170	LOCK ASSY	1				
176	36370105600	O-RING	1				
177	91002800800	O-RING	2		1B P8		
178	91000501300	O-RING	2		AS568-013		
179	36643725180	O-RING	1				
180	91001101250	O-RING	1		1B P12.5		
181	91000501700	O-RING	10				
193	91001003500	O-RING	1		S35		
204	82171101000	FUSE (10A.F-7142 5.2X20>	1				

TM-ZF300 31013010321A FRAME/SL,REMOTE-RADIO CONT.,HOOK-IN
PV1020230-03 VALVE,REMOTE CONTROL (NACHI)

2345

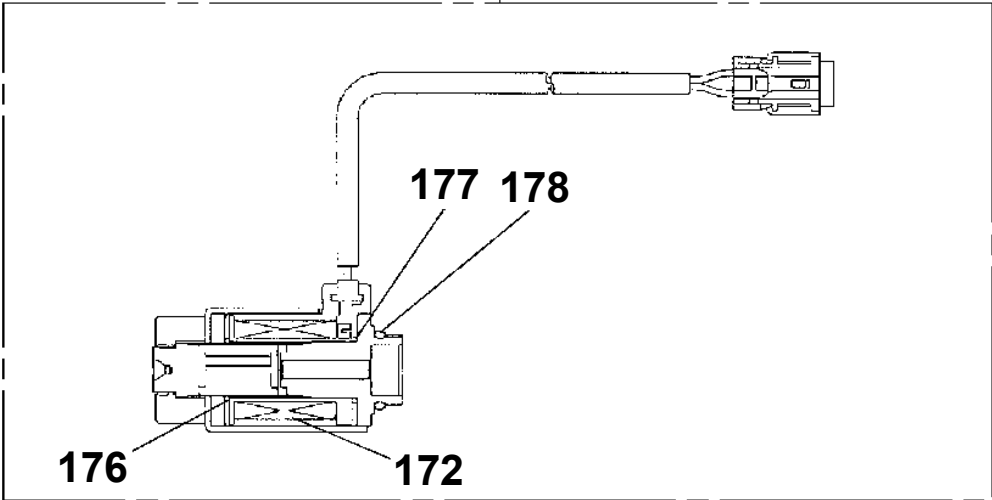


67

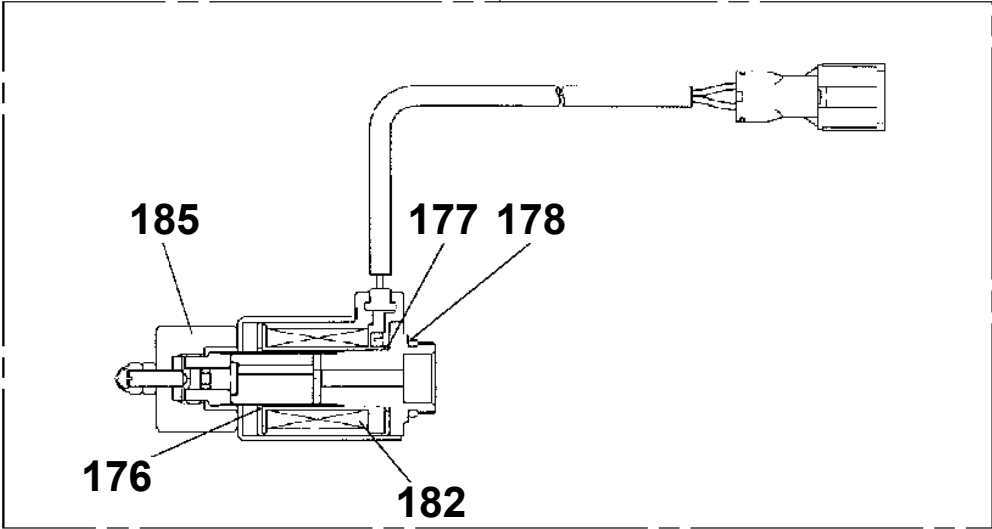


**TM-ZF300 31013010321A FRAME/SL,REMOTE-RADIO CONT.,HOOK-IN
PV1020251-00 VALVE,REMOTE CONTROL**

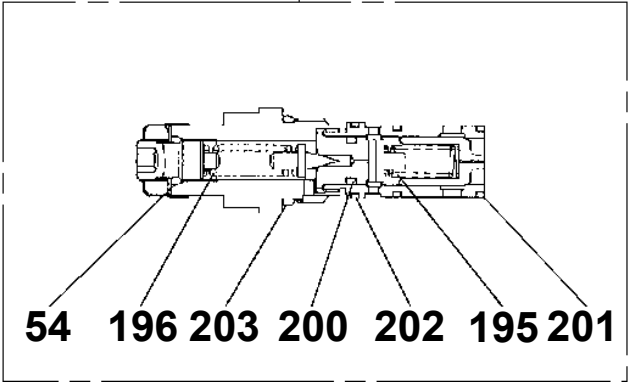
62



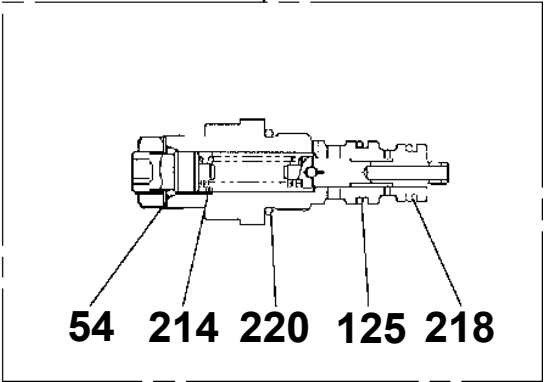
63



64

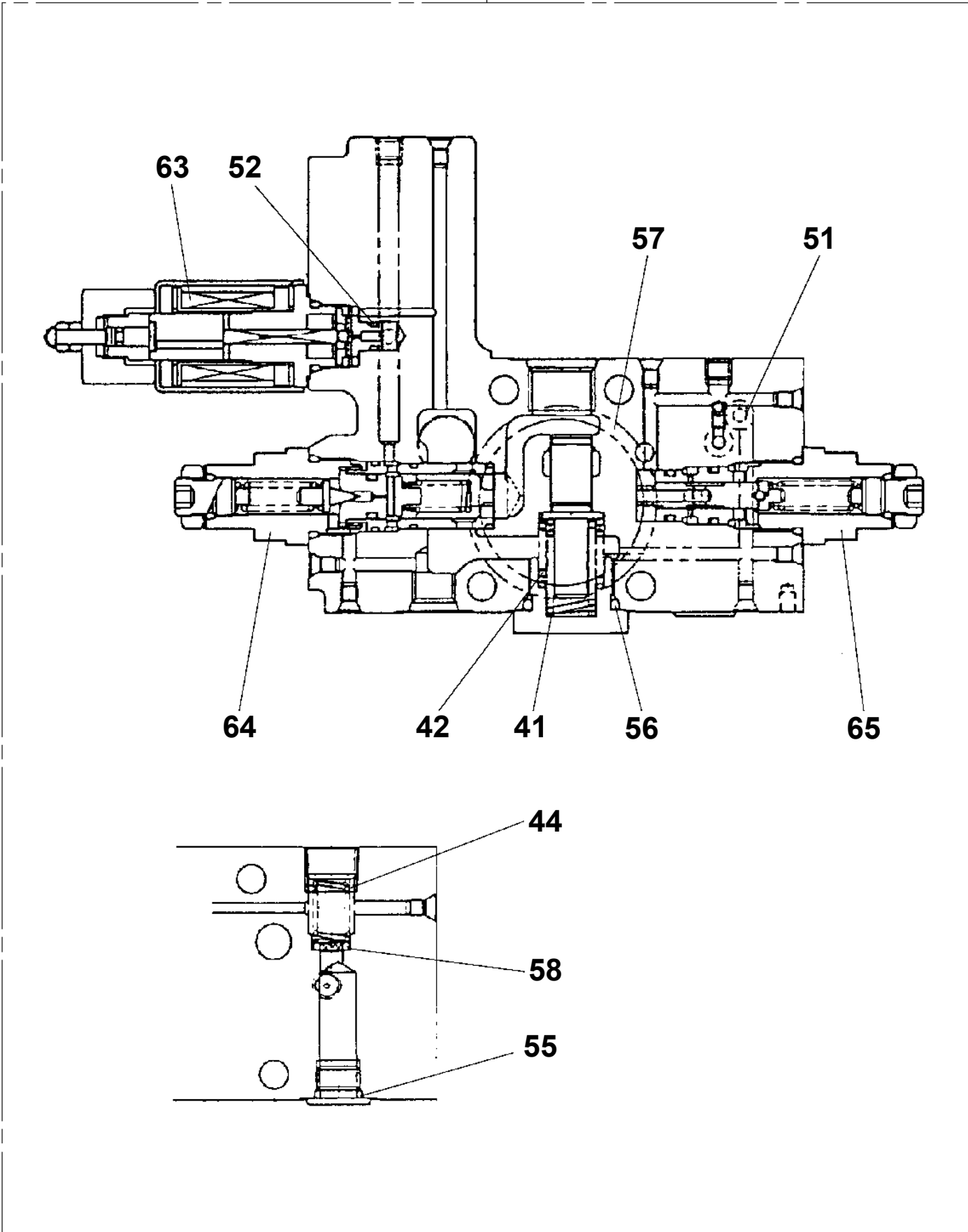


65



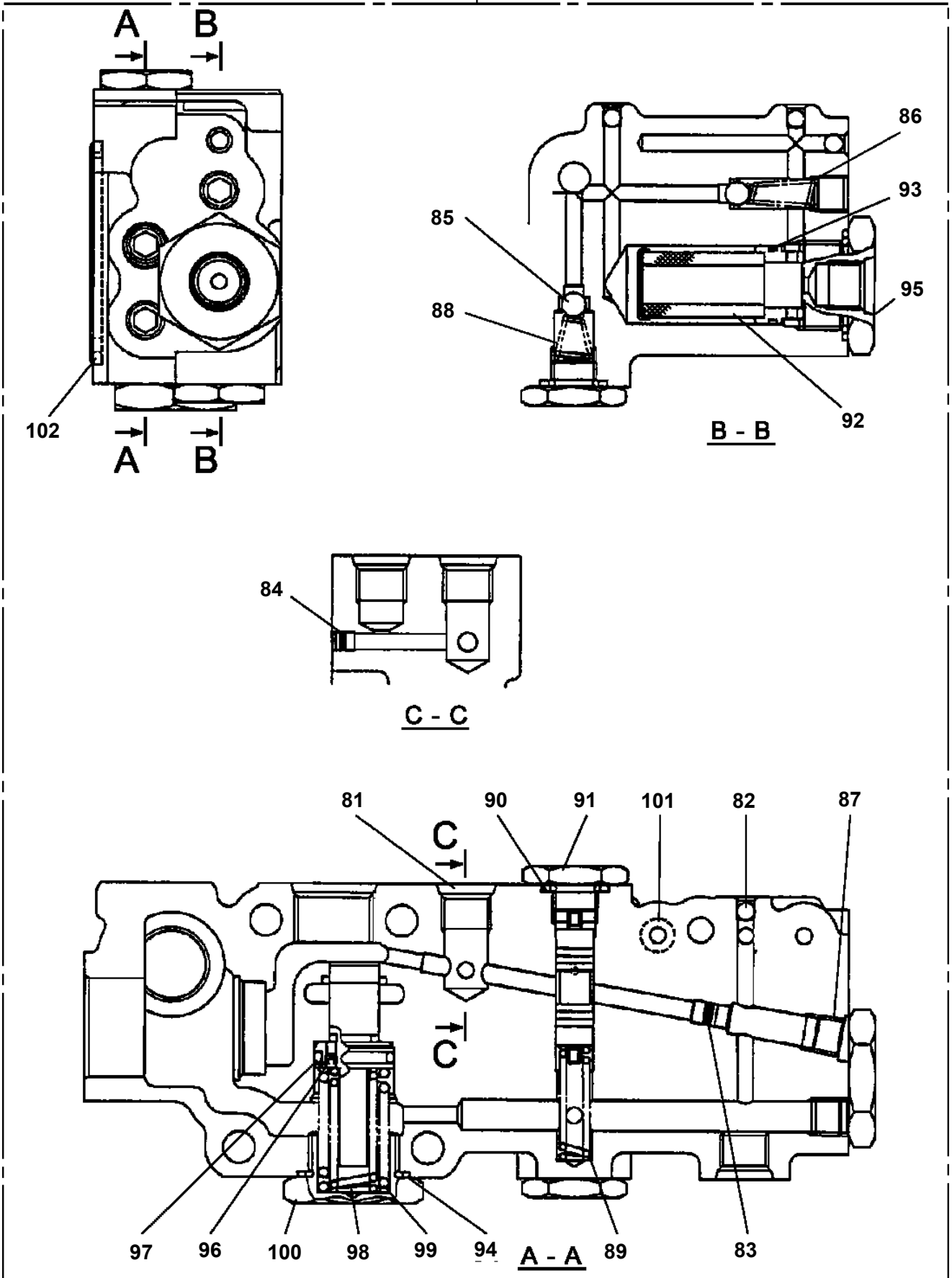
TM-ZF300 31013010321A FRAME/SL,REMOTE-RADIO CONT.,HOOK-IN
PV1020252-00 VALVE,REMOTE CONTROL

1



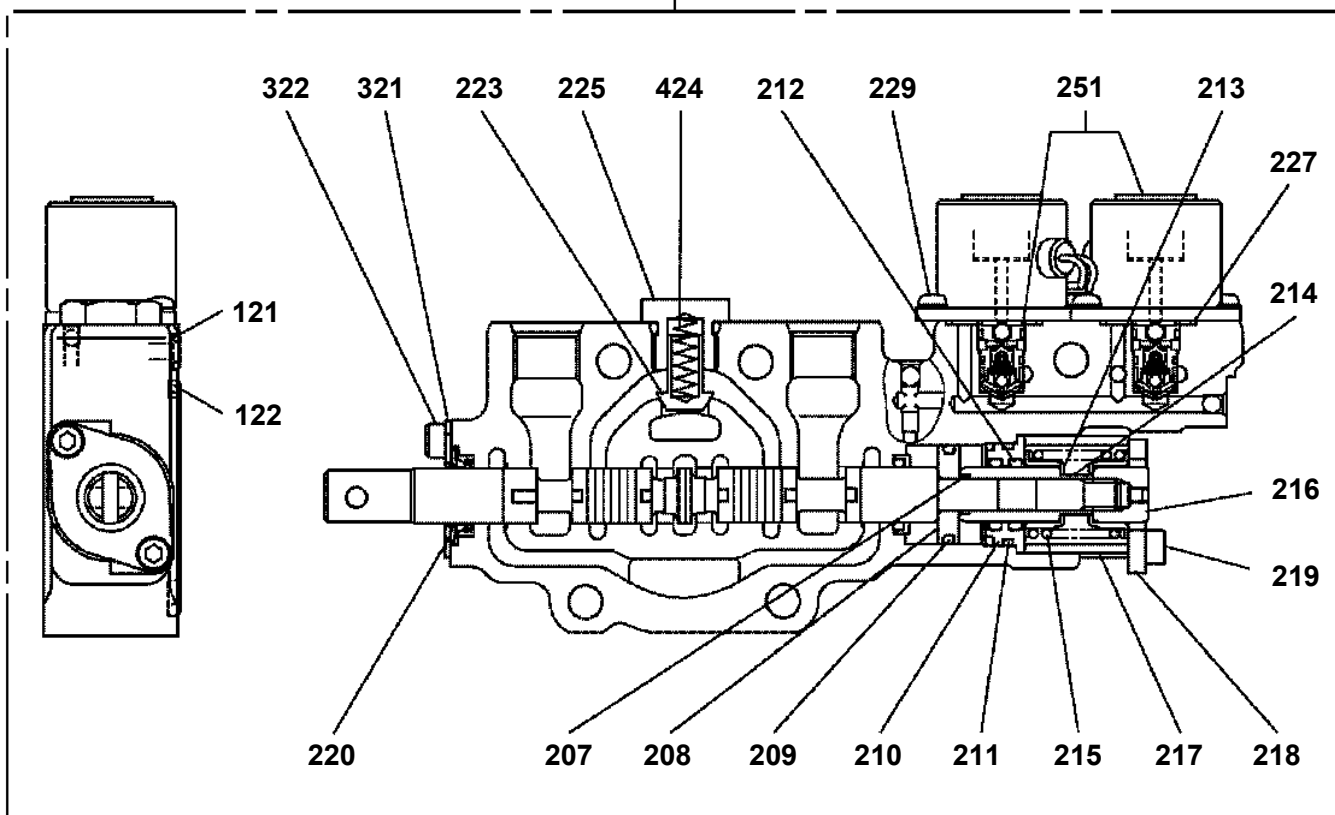
TM-ZF300 31013010321A FRAME/SL,REMOTE-RADIO CONT.,HOOK-IN
PV1020351-00 VALVE,REMOTE CONTROL

4

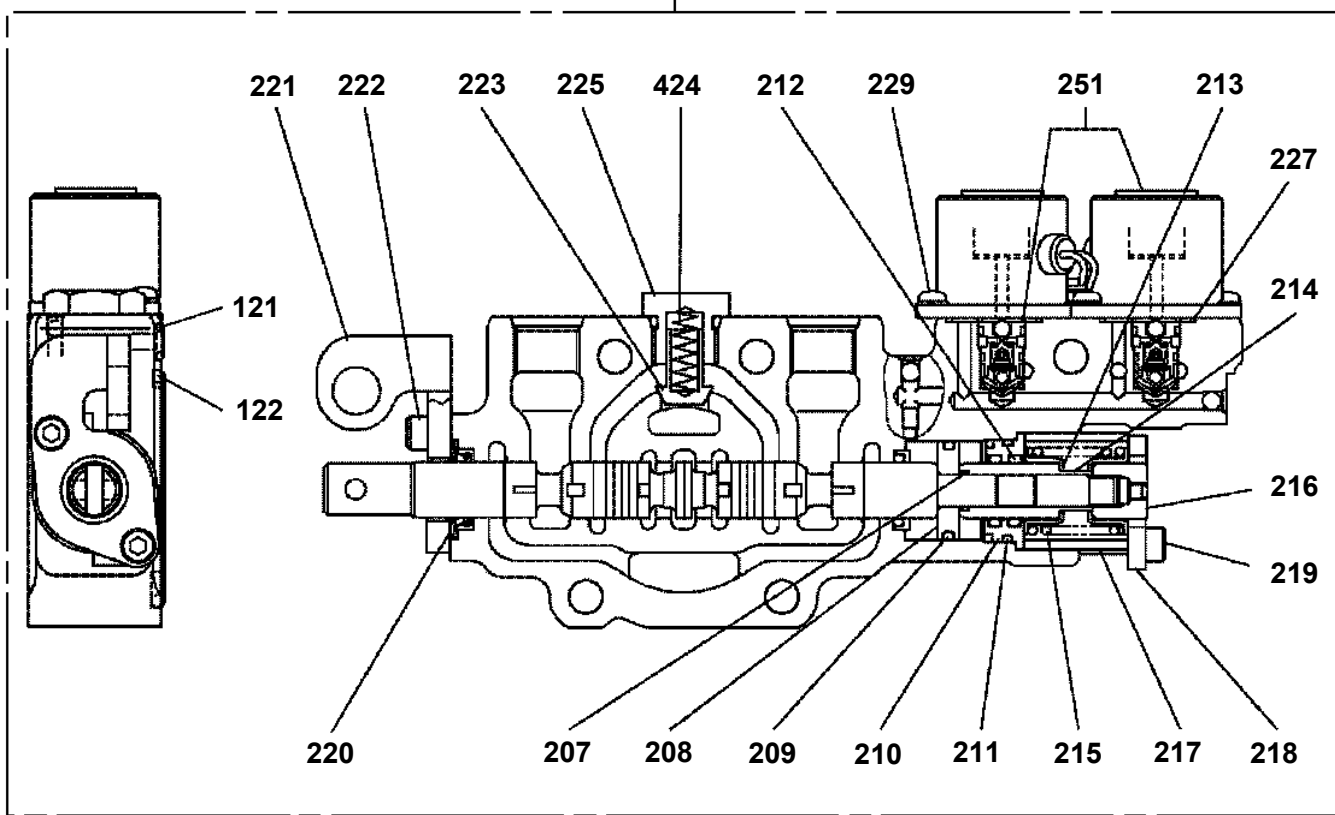


TM-ZF300 31013010321A FRAME/SL,REMOTE-RADIO CONT.,HOOK-IN
PV1020366-00 VALVE,REMOTE CONTROL

8

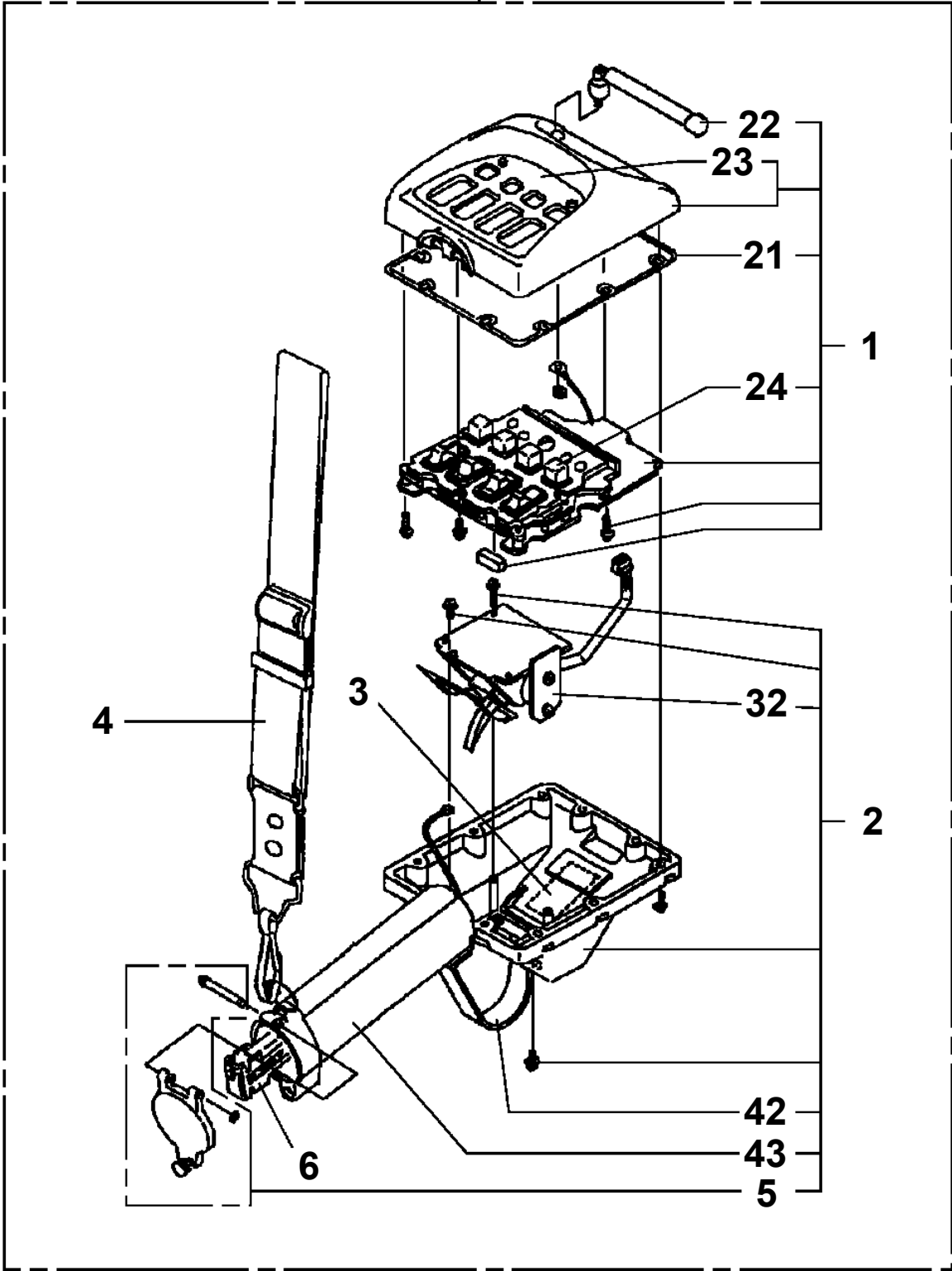


9



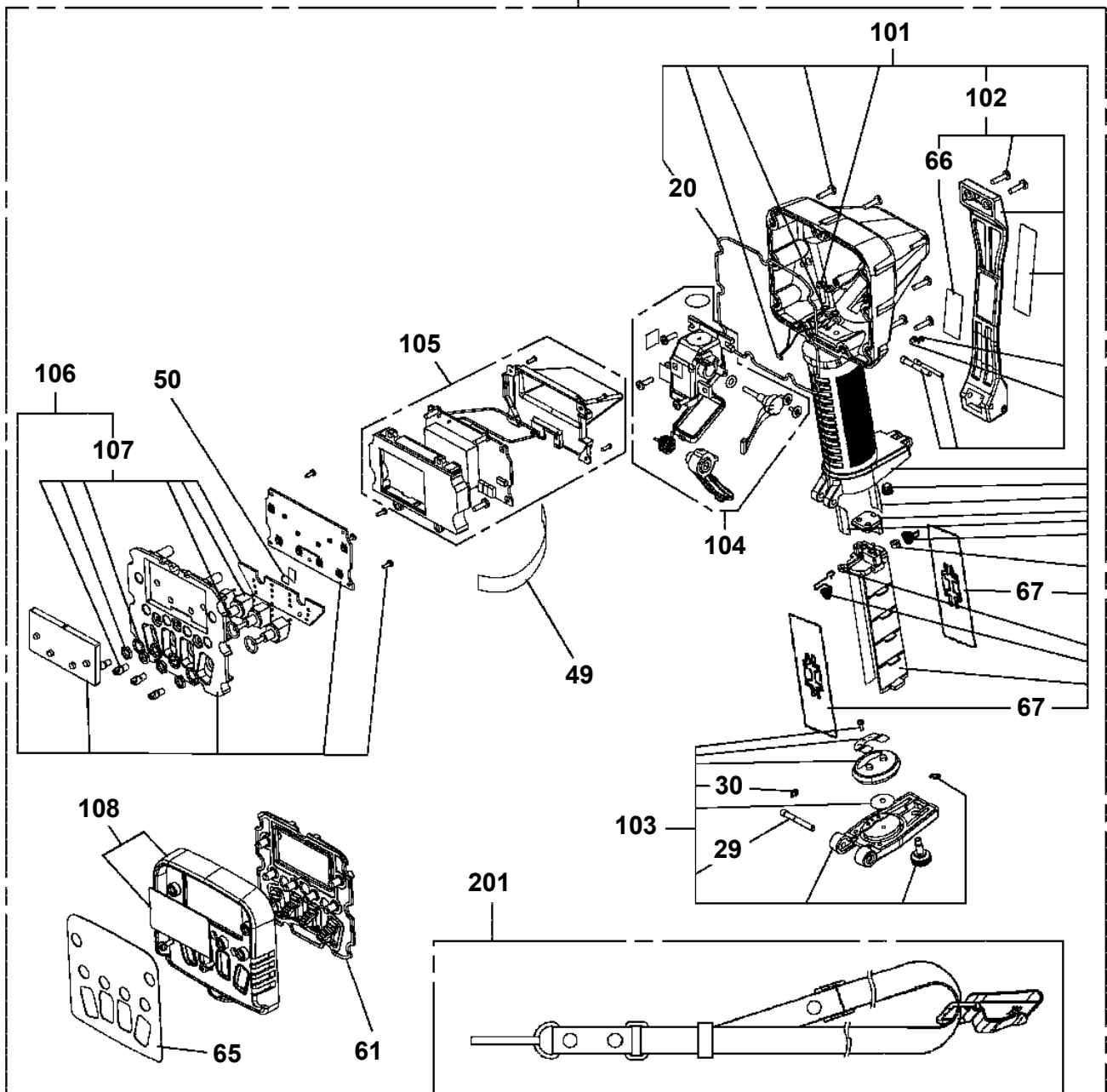
TM-ZF300 31013010321A FRAME/SL,REMOTE-RADIO CONT.,HOOK-IN
PV1030019-05 SWITCH BOX (RADIO CONTROL.M2.TYPE-A)

50



TM-ZF300 31013010321A FRAME/SL,REMOTE-RADIO CONT.,HOOK-IN
PV1030080-05 SWITCH BOX (RADIO CONTROL,LED TYPE)

300



注意

1. 本体分解時には、指示番号20の「Oリング (ケース)」を併せて注文ください。
2. 「RF ASSY」を交換する場合は、指示番号66の「ラベル (コクイン)」も併せて注文ください。
3. お送りする「ラベル (コクイン)」には製造番号は印字されていないので記入してください。

NOTICE

1. When disassembling the main unit, order a key No.20 「O-RING(CASE)」 beforehand.
2. When replacing 「RF ASSY」 order a Key No.66 「LABEL(SELIAL)」 beforehand.
3. Serial No.is not stamped on the 「 LABEL(SELIAL)」 before shipment. Fill in the blank by yourself.

TM-ZF300 31013010321A FRAME/SL,REMOTE-RADIO CONT.,HOOK-IN

Pos No.	Parts No	Parts Name	Qty	Unit	Technical Data	Serial No (Start)	Serial No (End)	Remarks	Pa
1	36802015011	CASE KIT (UPPER)	1						
2	36800565071	CASE KIT (LOWER)	1						
3	36800555081	PLATE,NAME (SEAL)	1						
4	36800095042	BELT ASSY	1						
5	36800565101	COVER (BATTERY)	1						
6	36800095031	CASE (BATTERY)	1						
22	36800095061	RING (CASE)	1						
23	36801995041	ANTENNA (FLEXIBLE)	1						
24	36800565151	PLATE,NAME	1						
25	36800565131	RUBBER (BOTTUN)	1						
42	36800565081	CASE ASSY (LEVER)	1						
52	36800295111	GUARD (HAND)	1						
53	36801995081	GRIP	1						
100	36802012001	SWITCH BOX	1						

TM-ZF300 31013010321A FRAME/SL,REMOTE-RADIO CONT.,HOOK-IN

Pos No.	Parts No	Parts Name	Qty	Unit	Technical Data	Serial No (Start)	Serial No (E
2	36800085010	GASKET	1				
4	36800565010	CONNECTOR ASSY (SPEAKER)	1				
6	36800565020	CONNECTOR ASSY	1				
11	36800565030	SPACER (RUBBER A)	1				
12	36800555080	LABEL (SEAL)	1				
17	36800555070	LABEL (SEAL)	1			EJ3919	
21	36800565040	PANEL ASSY (TIRMINAL)	1				
50	36800551000	CONTROL BOX (RADIO CONTROL.M2.A)	1				

TM-ZF300 31013010321A FRAME/SL,REMOTE-RADIO CONT.,HOOK-IN

Pos No.	Parts No	Parts Name	Qty	Unit	Technical Data	Serial No (Start)	Serial No (End)	Remarks	Pa
1	36800085010	GASKET	1						
2	36800565140	CONNECTOR ASSY	1						
3	36802435160	CONNECTOR	1						
4	36802435170	CONNECTOR	1						
5	36800565030	SPACER (RUBBER A)	1						
50	36802435020	CONTROL BOX	1						

TM-ZF300 31013010321A FRAME/SL,REMOTE-RADIO CONT.,HOOK-IN

Pos No.	Parts No	Parts Name	Qty	Unit	Technical Data	Serial No (Start)	Serial No (End)
2	36800085010	GASKET	1				
4	36800565010	CONNECTOR ASSY (SPEAKER)	1				
5	36800565140	CONNECTOR ASSY	1				
6	36800565020	CONNECTOR ASSY	1				
7	36804015010	BOARD ASSY	1				
9	36804015020	PANEL ASSY (TERMINAL)	1				
11	36804015030	SPACER (RUBBER)	1				
12	36800565030	SPACER (RUBBER A)	1				
19	36800175030	CAP	1				
20	36800296100	PACKING (CONNECTOR INNER PART)	1				
100	36804011000	CONTROL BOX	1				

TM-ZF300 31013010321A FRAME/SL,REMOTE-RADIO CONT.,HOOK-IN

Pos No.	Parts No	Parts Name	Qty	Unit	Technical Data	Serial No (Start)	Serial No (End)
2	36800085011	GASKET	1				
	36800085011	GASKET	1				
4	36800565011	CONNECTOR ASSY (SPEAKER)	1				
	36800565011	CONNECTOR ASSY (SPEAKER)	1				
5	36800565141	CONNECTOR ASSY (WITH HARNESS)	1				
	36800565141	CONNECTOR ASSY (WITH HARNESS)	1				
6	36800565021	CONNECTOR ASSY (WITH HARNESS)	1				
	36800565021	CONNECTOR ASSY (WITH HARNESS)	1				
7	36804045011	BOARD ASSY	1				
	36804045011	BOARD ASSY	1				
9	36804015021	PANEL ASSY (TERMINAL)	1				
	36804015021	PANEL ASSY (TERMINAL)	1				
11	36804015031	SPACER (RUBBER)	1				
	36804015031	SPACER (RUBBER)	1				
12	36800565031	SPACER (RUBBER A)	1				
	36800565031	SPACER (RUBBER A)	1				
19	36800175031	CAP	1				
	36800175031	CAP	1				
20	36800296101	PACKING (CONNECTOR INNER PART)	1				
	36800296101	PACKING (CONNECTOR INNER PART)	1				
100	36804041001	CONTROL UNIT	1				
	36804041001	CONTROL UNIT	1				

TM-ZF300 31013010321A FRAME/SL,REMOTE-RADIO CONT.,HOOK-IN

Pos No.	Parts No	Parts Name	Qty	Unit	Technical Data	Serial No (Start)	Serial No
1	36062285010	BLOCK,CYLINDER	1				
2	36642415250	COIL,SOLENOID (WITHOUT CONNECTOR)	2				
3	36642415230	CASE (COIL)	2				
4	36642415240	YOKE (A)	2				
5	36642415270	YOKE (B)	4				
6	36642415280	NUT	2				
7	36642415290	COIL (LVDT, WITHOUT CONNECTOR)	1				
8	36642415300	SHIM (T=0.5)	2				
9	36642415310	SHIM (T=0.2)	2				
21	36642415320	PLATE	1				
22	36642415220	RING,BACKUP	1				
26	91001101001	O-RING	1		1A P10A		
27	91001101400	O-RING	2		1A P14		
28	91001102800	O-RING	1		1A P28		
29	91002803200	O-RING	1		1B P32		
30	91411001400	RING,BACKUP	1		P14		
31	91411002800	RING,BACKUP	2		P28		
49	80560055000	BALL,STEEL	4		3/16		
50	36642415260	BALL,STEEL	2				
51	91001000900	O-RING	2		S9		
52	91001000700	O-RING	2		S7		
53	91001001800	O-RING	2		S18		
54	91000501700	O-RING	2				
55	36370105600	O-RING	2				
67	36645155230	COIL ASSY (LVDT/EHS)	1				
68	36645155240	COIL ASSY (FHS)	1				
86	36062605020	BOLT,HEXAGON SOCKET(WITH WASHER)	2		M4X15		
87	36062605030	WASHER	2				
100	36062280000	CYLINDER,ACCELERATOR (NACHI)	1				

TM-ZF300 31013010321A FRAME/SL,REMOTE-RADIO CONT.,HOOK-IN

Pos No.	Parts No	Parts Name	Qty	Unit	Technical Data	Serial No (Start)	Serial No (End)	F	
1	36804051001	CONTROL UNIT	1			ER0095	ER0094		
	36802431000	CONTROL BOX	1						
	36804051000	CONTROL BOX	1						
2	36802862000	ANTENNA (FOR RADIO CONTROL)	1						
3	36802863000	SWITCH BOX(RADIO CONTROL)	1						

TM-ZF300 31013010321A FRAME/SL,REMOTE-RADIO CONT.,HOOK-IN

Pos No.	Parts No	Parts Name	Qty	Unit	Technical Data	Serial No (Start)	Serial No (E
1	(*****)	RADIO CONTROL (KIT)	1				
2	(*****)	ELEC.ASSY (RADCON ANTENNA)	1				
3	36800541000	STOWING BOX (BAG,RADIO CONTROL)	1				
4	(*****)	OPE.ASSY,CONT.VALVE (RADICON)	1				
5	(*****)	OPERATION SYSTEM, ACCELERATOR	1				
6	(*****)	PIPING,LOWER (REMOTE CONT.,NACHI)	1				
7	(*****)	ELEC.ASSY	1				
8	(*****)	PIPING,LOWER (REPLACE FILTER)	1				
9	(*****)	MOUNT	1				
10	36803195010	PLATE ASSY,NAME	1				

TM-ZF300 31013010321A FRAME/SL,REMOTE-RADIO CONT.,HOOK-IN

Pos No.	Parts No	Parts Name	Qty	Unit	Technical Data	Serial No (Start)	Serial No (End)
1	36802430000	RADIO CONTROL (KIT)	1				
2	(*****)	ELEC.ASSY (RADIO CONTROL)	1				
3	36800541000	STOWING BOX (BAG,RADIO CONTROL)	1				

TM-ZF300 31013010321A FRAME/SL,REMOTE-RADIO CONT.,HOOK-IN

Pos No.	Parts No	Parts Name	Qty	Unit	Technical Data	Serial No (Start)	Serial No (End)
1	(*****)	ELEC.ASSY (BML,OPTION)	1				
3	(*****)	DETECTOR,OVER FRONT AREA (BML,OPTION)	1				
4	(*****)	INDICATOR,OUTRIGGER	1				
5	(*****)	DETECTOR,LOAD (BML,OPTION)	1				
6	(*****)	SWITCH INSTALLATION (BML)	1				
7	(*****)	PLATE ASSY,NAME (BML,OPTION)	1				
9	3613138000	DETECTOR,BOOM LENGTH (BML,OPTION)	1				
10	3611689001	MOMENT LIMITER (BML-PB)	1				
11	(*****)	PLATE ASSY,NAME (BML BOOM,OPTION)	1				

TM-ZF300 31013010321A FRAME/SL,REMOTE-RADIO CONT.,HOOK-IN

Pos No.	Parts No	Parts Name	Qty	Unit	Technical Data	Serial No (Start)	Serial No
1	(*****)	ELEC.ASSY	1				
3	(*****)	DETECTOR,AREA	1				
4	(*****)	INDICATOR,OUTRIGGER	1				
5	(*****)	INDICATOR,OUTRIGGER	1				
6	(*****)	DETECTOR,LOAD (BML,OPTION)	1				
7	(*****)	PLATE ASSY,NAME (BMW,OPTION)	1				
8	(*****)	PLATE ASSY,NAME (BML BOOM,OPTION)	1				
10	36131310000	DETECTOR,BOOM LENGTH (BML,OPTION)	1				
11	36119030000	MOMENT LIMITER (BML)	1				

TM-ZF300 31013010321A FRAME/SL,REMOTE-RADIO CONT.,HOOK-IN

Pos No.	Parts No	Parts Name	Qty	Unit	Technical Data	Serial No (Start)	Serial No (End)	F
1	(*****)	ELEC.ASSY (AWL)	1					
3	(*****)	PLATE ASSY,NAME (AWL)	1					
4	36117770000	WORKING AREA LIMITER (AWL-N)	1					

TM-ZF300 31013010321A FRAME/SL,REMOTE-RADIO CONT.,HOOK-IN

Pos No.	Parts No	Parts Name	Qty	Unit	Technical Data	Serial No (Start)	Serial No (End)
1	(*****)	ELEC.ASSY	1				
3	(*****)	PLATE ASSY,NAME (UPPER)	1				
4	(*****)	DETECTOR,BOOM LENGTH (MOUNT)	1				
6	36192680000	MOMENT LIMITER (BML)	1				
8	(*****)	ELEC.ASSY (SPARE HARNESS)	1				
12	(*****)	MOUNT (BOOM)	1				

TM-ZF300 31013010321A FRAME/SL,REMOTE-RADIO CONT.,HOOK-IN

Pos No.	Parts No	Parts Name	Qty	Unit	Technical Data	Serial No (Start)	Serial No (End)	Remarks	Pages
10	36804914000	BOX,STOWING	1						

TM-ZF300 31013010321A FRAME/SL,REMOTE-RADIO CONT.,HOOK-IN

Pos No.	Parts No	Parts Name	Qty	Unit	Technical Data	Serial No (Start)	Serial No
1	36801465010	ELEMENT,ANTENNA (FLEXIBLE,TYPE D,E)	2				
	36801465010	ELEMENT,ANTENNA (FLEXIBLE,TYPE D,E)	2				
3	36800615010	ARM (28X300)	1				
	36800615010	ARM (28X300)	1				
4	36800145010	CABLE	1		10M		ES5340
	36800145011	CABLE	1		10M	ES5341	
7	36800145020	WASHER	1				
	36800145020	WASHER	1				
8	36800145030	NUT	1				
	36800145030	NUT	1				
10	36801460000	ANTENNA (FOR RADIO CONTROL)	1				
	36801460000	ANTENNA (FOR RADIO CONTROL)	1				

TM-ZF300 31013010321A FRAME/SL,REMOTE-RADIO CONT.,HOOK-IN

Pos No.	Parts No	Parts Name	Qty	Unit	Technical Data	Serial No (Start)	Serial No (End)	F
1	36802862000	ANTENNA (FOR RADIO CONTROL)	1					

TM-ZF300 31013010321A FRAME/SL,REMOTE-RADIO CONT.,HOOK-IN

Pos No.	Parts No	Parts Name	Qty	Unit	Technical Data	Serial No (Start)	Serial No (End)	F
1	31651781000	SUPPORT	2					
2	31652452000	ANTENNA (SET)	1					
3	91810130240	FASTENER	10					
4	82100002034	CLAMP	10		WEC6			
5	90191208020	BOLT	5		M8X20			
6	90264200800	NUT	5		M8			
7	90302040801	WASHER,SPRING	5		8			
8	82401600506	CLAMP	5		D6.5			
9	82401600510	CLAMP	5		10			
21	36801460000	ANTENNA (FOR RADIO CONTROL)	2					

TM-ZF300 31013010321A FRAME/SL,REMOTE-RADIO CONT.,HOOK-IN

Pos No.	Parts No	Parts Name	Qty	Unit	Technical Data	Serial No (Start)	Serial No (End)	F
1	31930530101	SUPPORT	1					
2	31930530201	SUPPORT	1					
3	31652962000	ANTENNA (SET)	1					
4	91810130240	FASTENER	10					
5	82100002034	CLAMP	10		WEC6			
6	90191208020	BOLT	7		M8X20			
7	90264200800	NUT	7		M8			
8	90302040801	WASHER,SPRING	11		8			
9	82401600506	CLAMP	5		D6.5			
10	82401600510	CLAMP	5		10			
11	90303070801	WASHER,PLAIN	4		8			
12	31930530300	PACKING	4					
21	36801460000	ANTENNA (FOR RADIO CONTROL)	1					
22	36802100000	ANTENNA	1					

TM-ZF300 31013010321A FRAME/SL,REMOTE-RADIO CONT.,HOOK-IN

Pos No.	Parts No	Parts Name	Qty	Unit	Technical Data	Serial No (Start)	Serial No (End)	F
1	31651782000	ANTENNA (SET)	1					
2	31930460100	SUPPORT	2					
3	90101208020	BOLT	4		M8X20			
4	90201200800	NUT	4		M8			
5	90302040801	WASHER,SPRING	4		8			
6	82401600506	CLAMP	10		D6.5			
7	82401600510	CLAMP	8		10			
8	31930180100	SUPPORT	1					
9	80142838032	SCREW,WOOD	2					
10	91810130240	FASTENER	4					
11	82100002006	CLAMP	1		WR10			
12	90918160160	SCREW,TAPPING	1					
13	90918135160	SCREW,TAPPING	8					
21	36800610000	ANTENNA (FOR RADIO CONTROL)	1					
22	36800620000	ANTENNA (FOR RADIO CONTROL)	1					

TM-ZF300 31013010321A FRAME/SL,REMOTE-RADIO CONT.,HOOK-IN

Pos No.	Parts No	Parts Name	Qty	Unit	Technical Data	Serial No (Start)	Serial No (End)	F
1	31931190100	SUPPORT	1					
2	31931190200	SUPPORT	1					
3	31651802000	ANTENNA (10M TYPE A,B)	1					
4	91810130240	FASTENER	10					
5	82100002034	CLAMP	10		WEC6			
6	90191208020	BOLT	7		M8X20			
7	90264200800	NUT	7		M8			
8	90302040801	WASHER,SPRING	11		8			
9	82401600506	CLAMP	10		D6.5			
10	82401600510	CLAMP	10		10			
11	90303070801	WASHER,PLAIN	4		8			
21	36800610000	ANTENNA (FOR RADIO CONTROL)	2					

TM-ZF300 31013010321A FRAME/SL,REMOTE-RADIO CONT.,HOOK-IN

Pos No.	Parts No	Parts Name	Qty	Unit	Technical Data	Serial No (Start)	Serial No (End)	Remarks	Pages
1	31932410100	SUPPORT	1						
2	31932410200	SUPPORT	1						
3	31652972000	ANTENNA (SET)	1						
4	91810130240	FASTENER	10						
5	82100002034	CLAMP	10		WEC6				
6	90191208020	BOLT	7		M8X20				
7	90264200800	NUT	7		M8				
8	90302040801	WASHER,SPRING	11		8				
9	82401600506	CLAMP	5		D6.5				
10	82401600510	CLAMP	5		10				
11	90303070801	WASHER,PLAIN	4		8				
12	31930530300	PACKING	4						
21	36802100000	ANTENNA	2						000378

TM-ZF300 31013010321A FRAME/SL,REMOTE-RADIO CONT.,HOOK-IN

Pos No.	Parts No	Parts Name	Qty	Unit	Technical Data	Serial No (Start)	Serial No (End)	Remarks	Pages
1	31470511000	STOPPER,TIRE	1						

TM-ZF300 31013010321A FRAME/SL,REMOTE-RADIO CONT.,HOOK-IN

Pos No.	Parts No	Parts Name	Qty	Unit	Technical Data	Serial No (Start)	Serial No (End)	Remarks	Pages
1	90190000008	BOLT,STUD	2		M6X20				
2	31360202500	SUPPORT	2						
3	31360742500	SUPPORT	1						
4	31360192900	SUPPORT	1		L=55				
5	37001601290	NUT	1		M12				
6	31360742700	NUT	1		M12				
7	31360003020	SUPPORT	1		L=63				
8	37001601010	NUT	3						
9	90288106030	NUT	3		M6X30				

TM-ZF300 31013010321A FRAME/SL,REMOTE-RADIO CONT.,HOOK-IN

Pos No.	Parts No	Parts Name	Qty	Unit	Technical Data	Serial No (Start)	Serial No (End)	Ren
1	(*****)	ELEC.ASSY (ALARM,UPPER)	1					
2	(*****)	ELEC.ASSY (CARRIER)	1				KD0475	
	(*****)	ELEC.ASSY (MOUNTING VEHICLE)	1			KD0476		

CLICK HERE TO **DOWNLOAD** THE COMPLETE MANUAL

- Thank you very much for reading the preview of the manual.
- You can download the complete manual from: www.heydownloads.com by clicking the link below



- Please note: If there is no response to CLICKING the link, please download this PDF first and then click on it.

CLICK HERE TO **DOWNLOAD** THE COMPLETE MANUAL