

**TM-ZF300 31013010320A FRAME/SL,REMOTE-RADIO CONT.,HOOK-IN**

**PB2000012-01 POWER TAKE OFF & PUMP (ZF300,ZF360)**

**PK2000378-00 FRAME UNIT**

**PO1000122-01 INDICATION PLATES**

**PV1000075-02 REMOTE CONTROL SYSTEM**

**PY1000373-00 OPTIONS**

**ASSEMBLY**

CLICK HERE TO **DOWNLOAD** THE COMPLETE MANUAL

- Thank you very much for reading the preview of the manual.
- You can download the complete manual from: [www.heydownloads.com](http://www.heydownloads.com) by clicking the link below



- Please note: If there is no response to CLICKING the link, please download this PDF first and then click on it.

CLICK HERE TO **DOWNLOAD** THE COMPLETE MANUAL

# TM-ZF300 31013010320A FRAME/SL,REMOTE-RADIO CONT.,HOOK-IN

Pos No.	Parts No	Parts Name	Qty	Unit	Technical Data	Serial No (Start)	Serial
1	(*****)	REMOTE CONTROL (KIT)	1				
2	(*****)	RADIO CONTROL (HOOK-IN)	1				
	(*****)	RADIO CONTROL (PARTS)	1				
	(*****)	RADIO CONTROL	1				
3	36800280000	CABLE,REMOTE CONTROL (T,OPTION 20M)	1				
4	36800150000	ANTENNA (15M.TRAVELLING TYPE A,B)	1				
7	(*****)	HOOK	1				
	(*****)	HOOK (3TON SL WINCH, 2-PART LINE/MOUNT)	1				
8	(*****)	DETECTOR,DISORDERLY WINDING	1				
9	(*****)	OUTRIGGER,REAR (MANUAL)	1				
	(*****)	OUTRIGGER,REAR (ROTARY)	1				
10	(*****)	ROPE,GUIDE	1				
11	(*****)	LAMP (MOUNT,BOOM/24V-45W)	1				
	(*****)	LAMP (MOUNT,POST/24V-60W)	1				
14	(*****)	PLATE (355X355,H=80)	1				
17	(*****)	ALARM SYSTEM	1				
18	(*****)	WINCH (4TON SELF)	1				
	(*****)	WINCH (DRUM FREE)	1				
	(*****)	WINCH (3TON SELF)	1				

# TM-ZF300 31013010320A FRAME/SL,REMOTE-RADIO CONT.,HOOK-IN

Pos No.	Parts No	Parts Name	Qty	Unit	Technical Data	Serial No (Start)	Serial No (End)	Remarks	Page
1	52130202121	CASE	1						
2	52130202320	COVER (BEARING)	1						
3	52130202330	COVER	1						
4	52130202021	GEAR	1						
5	52130202010	SHAFT (OUTPUT)	1						
6	52130202040	FORK (SHIFTER)	1						
7	52130202050	SHAFT (SHIFTER)	1						
8	52130202030	YOKE	1						
9	52430304110	KEY	1						
10	80500006206	BEARING,BALL	2						
11	52430101090	WASHER,PLAIN	1						
12	52130302070	WASHER (LOCK)	1						
13	91209201200	NUT	1						
14	91206030009	SEAL,OIL	1						
15	91206020007	SEAL,OIL	1						
16	90191208020	BOLT	8		M8X20				
17	90302040801	WASHER,SPRING	8		8				
18	80560010000	BALL,STEEL	1		10				
19	52430604190	SPRING	1						
20	52430604180	PACKING	1						
21	52430304150	BOLT (ADJUSTING)	1						
22	90209201200	NUT	1		M12				
23	52130307290	PACKING	2						
24	52130202240	PACKING	2						
25	90191210030	BOLT	6		M10X30				
26	90302041001	WASHER,SPRING	6		10				
50	52130202001	POWER TAKE OFF	1						

## TM-ZF300 31013010320A FRAME/SL,REMOTE-RADIO CONT.,HOOK-IN

Pos No.	Parts No	Parts Name	Qty	Unit	Technical Data	Serial No (Start)	Serial No (End)	Remarks	Pa
1	36400845060	CASE	1						
2	36400845020	GEAR	1						
3	36400845030	SHAFT	1						
4	36400845040	GEAR	1						
5	36400395050	SHAFT	1						
6	36400095100	SHIFTER ASSY	1						
7	36400095110	PACKING	1						
8	36400095070	COVER (BEARING)	1						
9	36400095080	PACKING (COVER)	1						
10	36400095090	SHIM	1						
11	36400675030	COLLAR	1						
12	80500006206	BEARING,BALL	2						
13	36400675050	BEARING	2						
14	91206030005	SEAL,OIL	1						
15	80602110520	RING,RITAINING	2		R52				
16	36400095130	WASHER	1						
17	90101206015	BOLT	1		M6X15				
18	90191208020	BOLT	4		M8X20				
19	90191208014	BOLT	3		M8X14				
20	90302040801	WASHER,SPRING	7		8				
21	36401025060	PLUG	1						
22	36401025070	WASHER,PLAIN	1						
24	36401025090	PLATE,NAME	1						
25	36401025100	PACKING	1						
26	36400095150	BOLT,STUD	6		M10X1.25/1.5X43				
27	90267201000	NUT	6		M10				
28	90302041001	WASHER,SPRING	6		10				
29	31790770100	SUPPORT	1						
30	90191208025	BOLT	2		M8X25				
31	36401025120	NUT (REINFORCER)	1						
50	36400840000	POWER TAKE OFF	1						
100	31790770000	POWER TAKE OFF	1						

# TM-ZF300 31013010320A FRAME/SL,REMOTE-RADIO CONT.,HOOK-IN

Pos No.	Parts No	Parts Name	Qty	Unit	Technical Data	Serial No (Start)	Serial No (End)	Remarks	Page
1	36400895010	CASE	1						
2	36400895020	GEAR	1						
3	36400895030	SHAFT	1						
4	36400895040	GEAR	1						
5	36400415050	SHAFT	1						
6	36400215070	COLLAR	2						
7	36400225110	SHIFTER SET	1						
8	36400095110	PACKING	1						
9	36400095070	COVER (BEARING)	1						
10	36400095080	PACKING (COVER)	1						
11	36400095090	SHIM	1						
12	80500006206	BEARING,BALL	2						
13	91206030005	SEAL,OIL	1						
14	91001102100	O-RING	1		1A P21				
15	90710006120	SCREW,SET	1		M6X12				
16	90191208020	BOLT	4		M8X20				
17	90191208014	BOLT	3		M8X14				
18	90302040801	WASHER,SPRING	7		8				
19	36400675050	BEARING	2						
20	80602110520	RING,RITAINING	2		R52				
23	36400415100	PACKING (CASE)	1						
24	36400095150	BOLT,STUD	2		M10X1.25/1.5X43				
25	90191210030	BOLT	6		M10X30				
26	90267201000	NUT	2		M10				
27	90302041001	WASHER,SPRING	8		10				
28	31790670100	SUPPORT	1						
29	90191208025	BOLT	2		M8X25				
39	36400225160	SEAL,OIL	1						
50	36400890000	POWER TAKE OFF	1						
100	31791370000	POWER TAKE OFF	1						

# TM-ZF300 31013010320A FRAME/SL,REMOTE-RADIO CONT.,HOOK-IN

Pos No.	Parts No	Parts Name	Qty	Unit	Technical Data	Serial No (Start)	Serial No (End)	Remarks	Pa
1	36401025010	CASE	1						
2	36401025020	GEAR	1						
3	36400845030	SHAFT	1						
4	36401025030	GEAR	1						
5	36400395050	SHAFT	1						
6	36400095100	SHIFTER ASSY	1						
7	36400095110	PACKING	1						
8	36400095070	COVER (BEARING)	1						
9	36400095080	PACKING (COVER)	1						
10	36400095090	SHIM	1						
11	36400675030	COLLAR	1						
12	80500006206	BEARING,BALL	2						
13	36401025050	BEARING	2						
14	91206030005	SEAL,OIL	1						
15	80602110470	RING,RITAINING	2		R47				
16	36400095130	WASHER	1						
17	90101206015	BOLT	1		M6X15				
18	90191208020	BOLT	4		M8X20				
19	90191208014	BOLT	3		M8X14				
20	90302040801	WASHER,SPRING	7		8				
21	36401025060	PLUG	1						
22	36401025070	WASHER,PLAIN	1						
24	36401025090	PLATE,NAME	1						
25	36401025100	PACKING	1						
26	36400095150	BOLT,STUD	6		M10X1.25/1.5X43				
27	90267201000	NUT	6		M10				
28	90302041001	WASHER,SPRING	6		10				
29	31790770100	SUPPORT	1						
30	90191208025	BOLT	2		M8X25				
31	36401025120	NUT (REINFORCER)	1						
50	36401020000	POWER TAKE OFF	1						
100	31790810000	POWER TAKE OFF	1						

# TM-ZF300 31013010320A FRAME/SL,REMOTE-RADIO CONT.,HOOK-IN

Pos No.	Parts No	Parts Name	Qty	Unit	Technical Data	Serial No (Start)	Serial No (End)	Remarks	Page
1	36400895010	CASE	1						
2	36400895020	GEAR	1						
3	36400895030	SHAFT	1						
4	36400895040	GEAR	1						
5	36400415050	SHAFT	1						
6	36400215070	COLLAR	2						
7	36400225110	SHIFTER SET	1						
8	36400095110	PACKING	1						
9	36400095070	COVER (BEARING)	1						
10	36400095080	PACKING (COVER)	1						
11	36400095090	SHIM	1						
12	80500006206	BEARING,BALL	2						
13	91206030005	SEAL,OIL	1						
14	91001102100	O-RING	1		1A P21				
15	90710006120	SCREW,SET	1		M6X12				
16	90191208020	BOLT	4		M8X20				
17	90191208014	BOLT	3		M8X14				
18	90302040801	WASHER,SPRING	7		8				
19	36400675050	BEARING	2						
20	80602110520	RING,RITAINING	2		R52				
22	36400415100	PACKING (CASE)	1						
23	36400095150	BOLT,STUD	2		M10X1.25/1.5X43				
24	90191210030	BOLT	6		M10X30				
25	90267201000	NUT	2		M10				
26	90302041001	WASHER,SPRING	8		10				
27	31790910100	SUPPORT	1						
28	90191208025	BOLT	2		M8X25				
39	36400225160	SEAL,OIL	1						
50	36401180000	POWER TAKE OFF	1						
100	31790910000	POWER TAKE OFF	1						

# TM-ZF300 31013010320A FRAME/SL,REMOTE-RADIO CONT.,HOOK-IN

Pos No.	Parts No	Parts Name	Qty	Unit	Technical Data	Serial No (Start)	Serial No (End)	Remarks	Pages
1	36401365010	CASE	1						
2	36401385010	GEAR	1						
3	36400895030	SHAFT	1						
4	36400095040	SHAFT	1						
5	36400095050	COLLAR	1						
6	36401385020	GEAR	1						
7	36400095070	COVER (BEARING)	1						
8	36400095080	PACKING (COVER)	1						
9	36400095090	SHIM	1						
10	36400095100	SHIFTER ASSY	1						
11	36400095110	PACKING	1						
12	80500006206	BEARING,BALL	2						
13	36400095120	BEARING	2						
14	80602110520	RING,RITAINING	2		R52				
15	91206030005	SEAL,OIL	1						
16	90101206012	BOLT	1		M6X12				
17	36400095130	WASHER	1						
18	90191208020	BOLT	4		M8X20				
19	90191208014	BOLT	3		M8X14				
20	90302040801	WASHER,SPRING	7		8				
21	36400345010	SPACER	1						
22	36400335030	SHIM	1						
23	90191210035	BOLT	4		M10X35				
24	36401385030	BOLT	4						
25	90267201000	NUT	4		M10				
26	90302041001	WASHER,SPRING	8		10				
28	31790680100	SUPPORT	1						
29	90191208025	BOLT	1		M8X25				
50	36401380000	POWER TAKE OFF	1						
100	31790960000	POWER TAKE OFF	1						

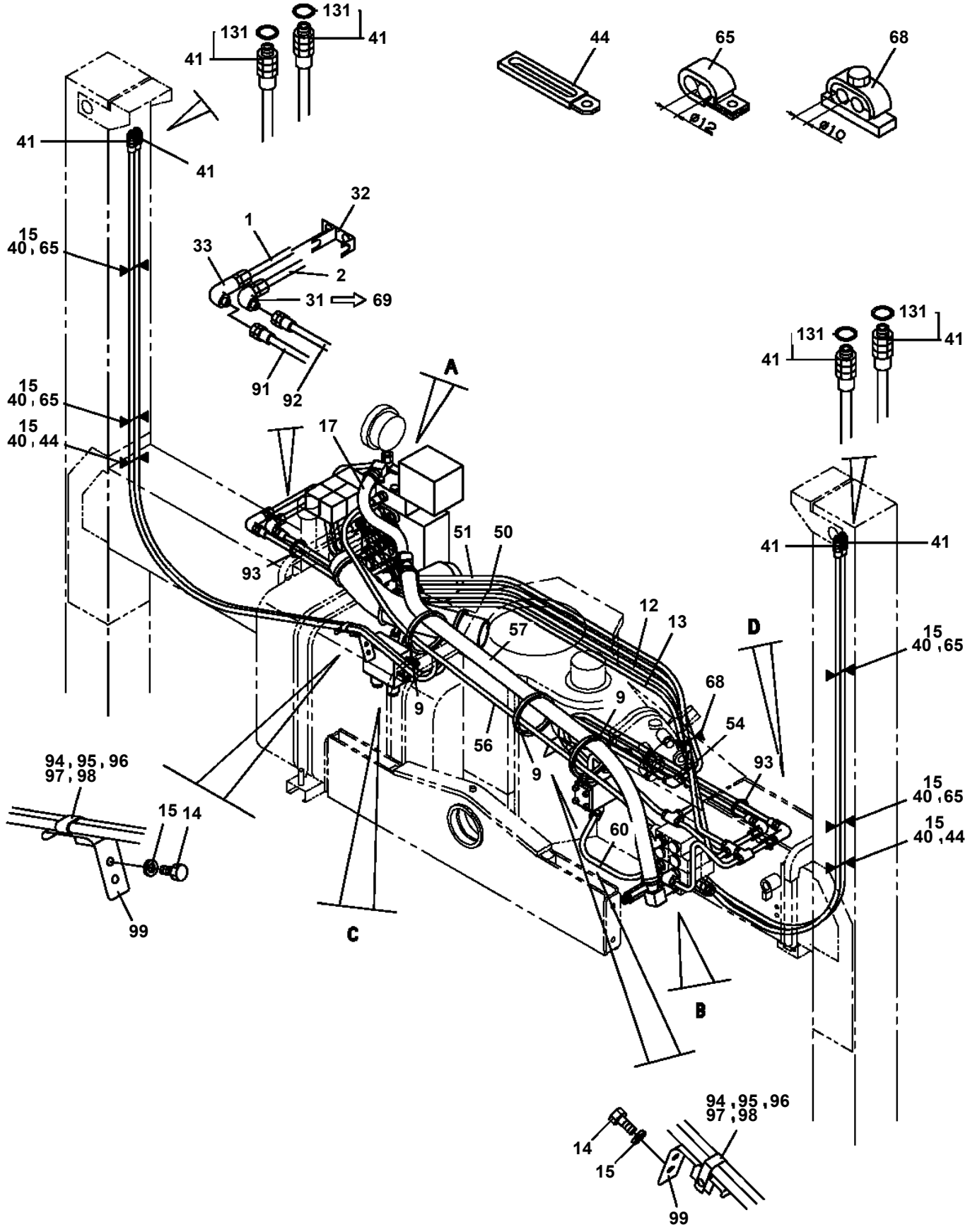
# TM-ZF300 31013010320A FRAME/SL,REMOTE-RADIO CONT.,HOOK-IN

Pos No.	Parts No	Parts Name	Qty	Unit	Technical Data	Serial No (Start)	Serial No (End)	Remarks	Pages
1	36401515010	CASE	1						
2	36401515020	GEAR (TO)	1						
3	36401665010	SHAFT	1						
4	36401665020	GEAR	1						
5	36400095040	SHAFT	1						
6	36400095050	COLLAR	1						
7	36400095100	SHIFTER ASSY	1						
8	36400095120	BEARING	2						
9	80500006206	BEARING,BALL	2						
10	91280416790	SEAL,OIL	1						
11	36400095070	COVER (BEARING)	1						
12	36400095080	PACKING (COVER)	1						
13	36400095090	SHIM	N						
14	90101206012	BOLT	1		M6X12				
15	36400095130	WASHER	1						
16	90191208014	BOLT	3		M8X14				
17	90302040801	WASHER,SPRING	7		8				
18	36400095110	PACKING	1						
19	90191208020	BOLT	4		M8X20				
20	80602110520	RING,RITAINING	2		R52				
22	36400055070	PACKING	1						
23	36400195030	BOLT,STUD	4						
24	90267201000	NUT	4		M10				
25	90193210025	BOLT	2		M10X25				
26	90302041001	WASHER,SPRING	6		10				
27	31790660100	SUPPORT	1						
28	90191208025	BOLT	2		M8X25				
50	36401660000	POWER TAKE OFF	1						
100	31791580000	POWER TAKE OFF	1						

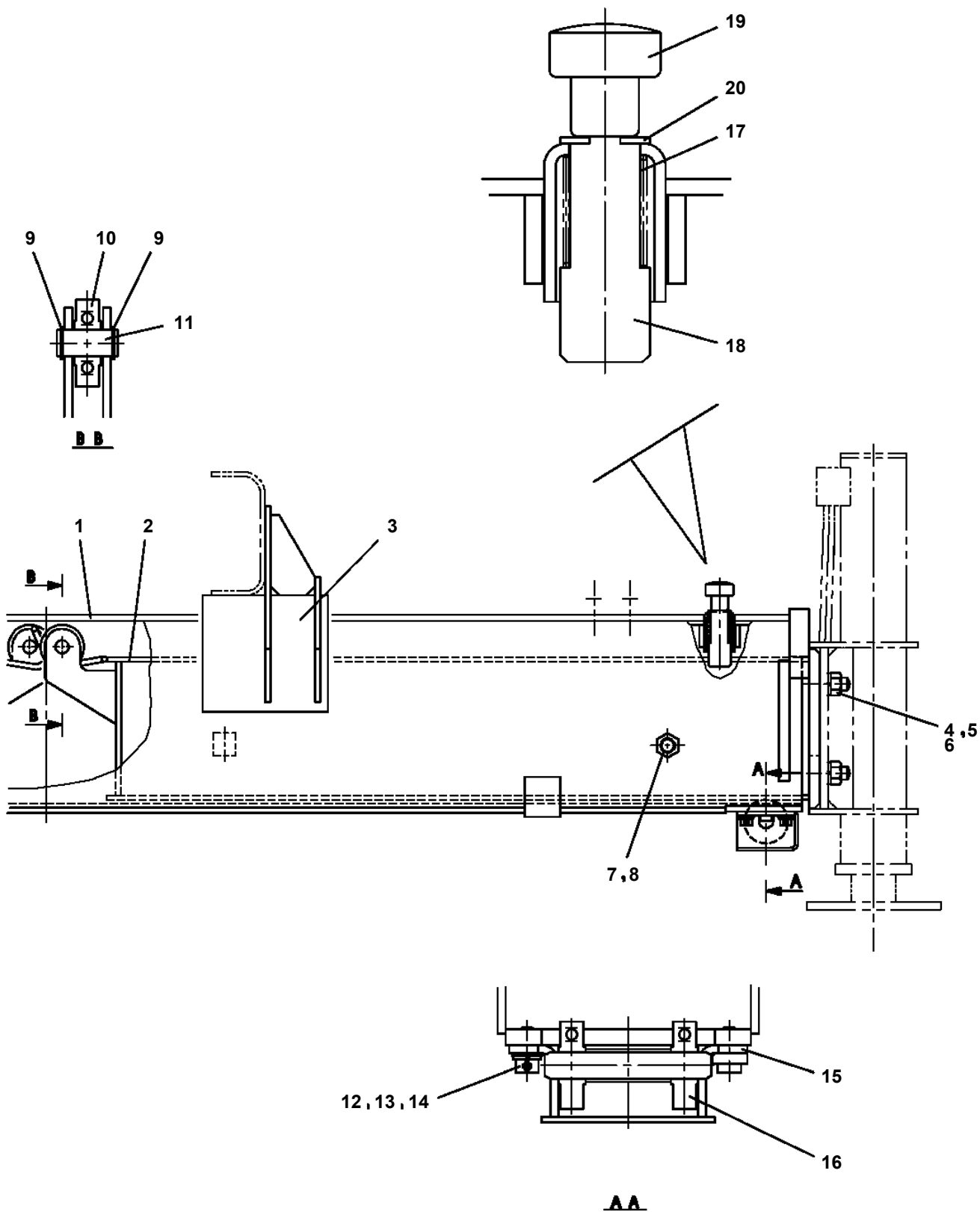
# TM-ZF300 31013010320A FRAME/SL,REMOTE-RADIO CONT.,HOOK-IN

Pos No.	Parts No	Parts Name	Qty	Unit	Technical Data	Serial No (Start)	Serial No (End)	Remarks
1	31630475100	BODY	1					
2	31630475200	CORE	1					
3	91531208000	PACKING	2					
4	91100308000	RING,SEAL	7					
5	31630735500	RING,SLIP (WITH BRUSH)	1					
6	82121502030	PLATE	1					
7	82114203030	CONNECTOR (CAP)	1					
10	90180208016	BOLT,BUTTON	2		M8X16			
11	90302040801	WASHER,SPRING	6		8			
12	90102208014	BOLT	4		M8X14			
13	90303070801	WASHER,PLAIN	4		8			
14	90303100801	WASHER,PLAIN	2		8			
20	31630479910	PACKING SET	1					
30	31630730000	JOINT,ROTARY	1					

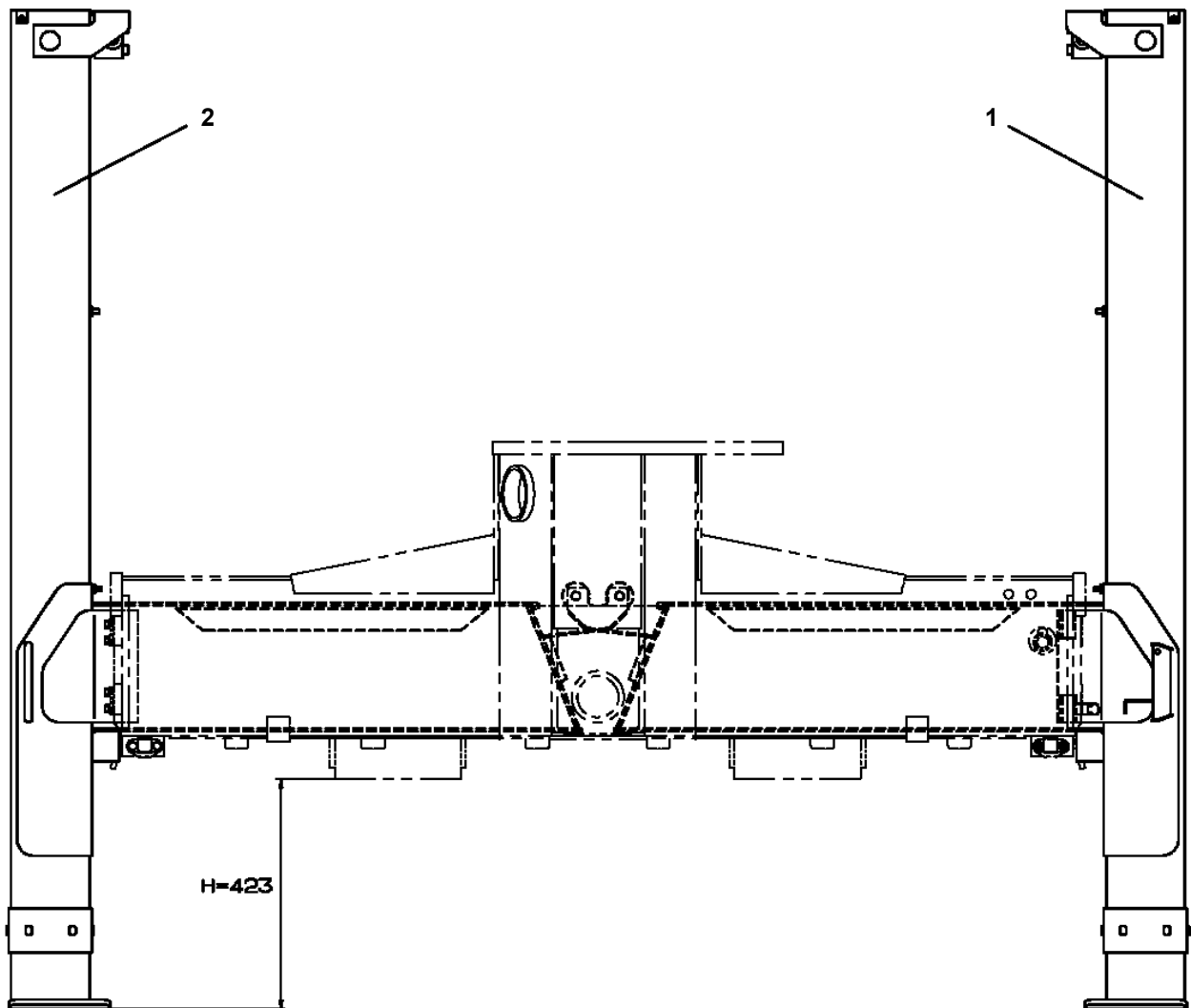
**TM-ZF300 31013010320A FRAME/SL,REMOTE-RADIO CONT.,HOOK-IN  
PB1410553-03 PIPING,HYDRAULIC LOWER**



TM-ZF300 31013010320A FRAME/SL,REMOTE-RADIO CONT.,HOOK-IN  
PC1010329-00 OUTRIGGER (REAR)



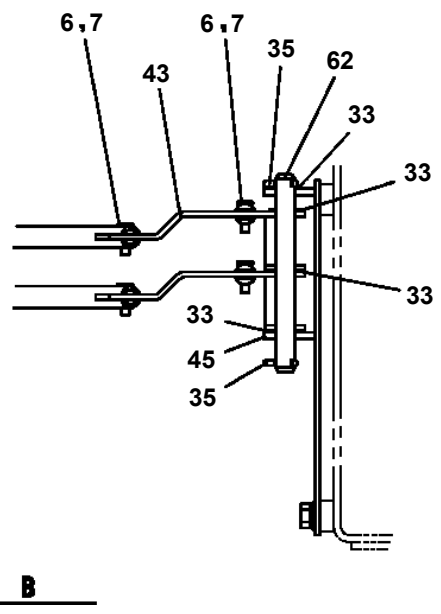
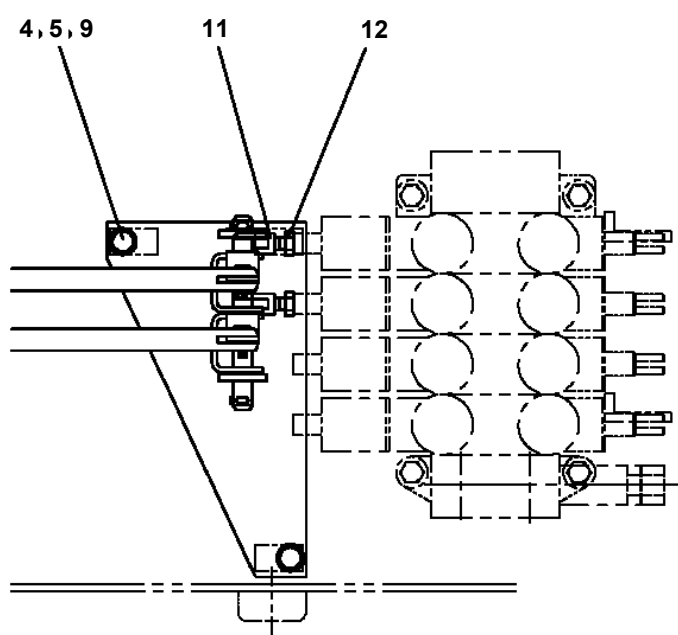
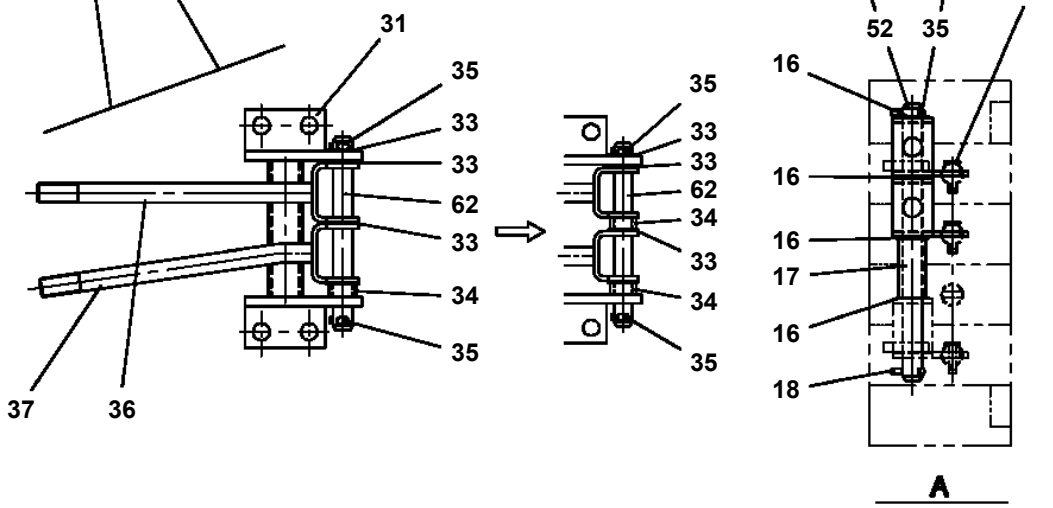
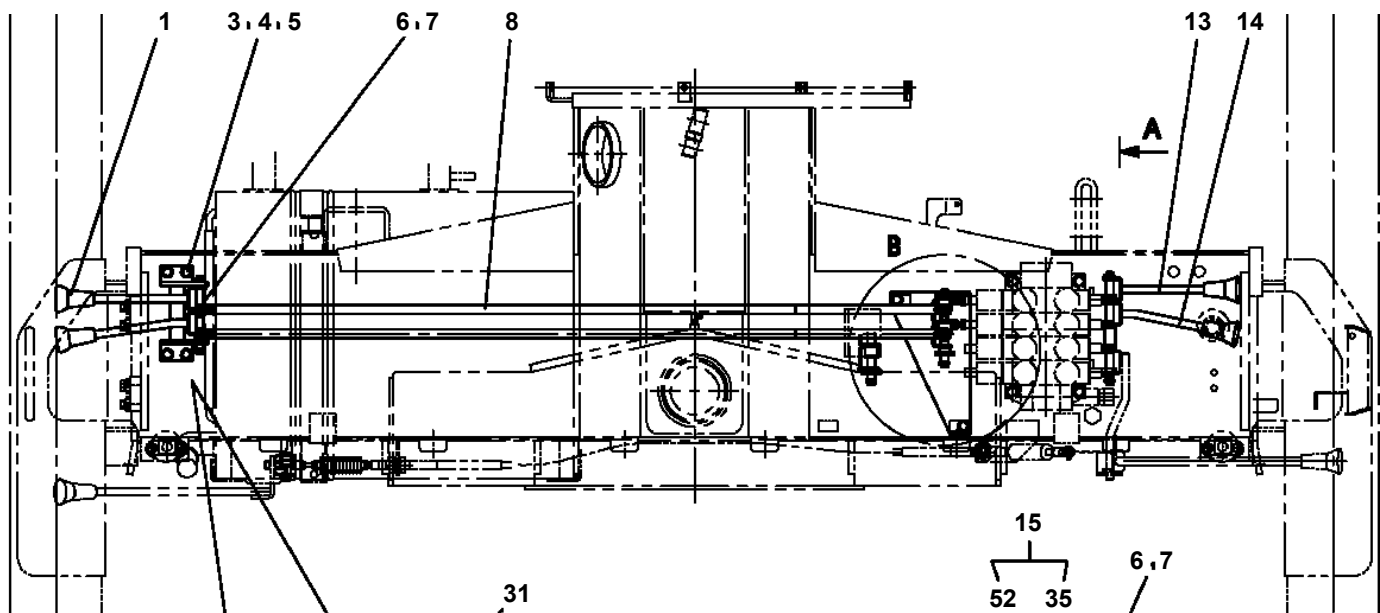
TM-ZF300 31013010320A FRAME/SL,REMOTE-RADIO CONT.,HOOK-IN  
PC1011101-00 OUTRIGGER



TM-ZF300 31013010320A FRAME/SL,REMOTE-RADIO CONT.,HOOK-IN  
 PC1020027-00 OUTRIGGER,REAR (MANUAL)

3	オペ . ASSY , アウトリカ OPE . ASSY , OUTRIGGER
5	プレート ASSY , ネーム PLATE ASSY , NAME
11	アウトリカ OUTRIGGER
12	シリンダ , シ ャツキ CYLINDER , JACK
13	パイピング , リヤ シ ャツキ PIPING , REAR JACK
21	パイピング , アウトリカ PIPING , OUTRIGGER
22	バルブ , マニアル コントロール VALVE , MANUAL CONTROL

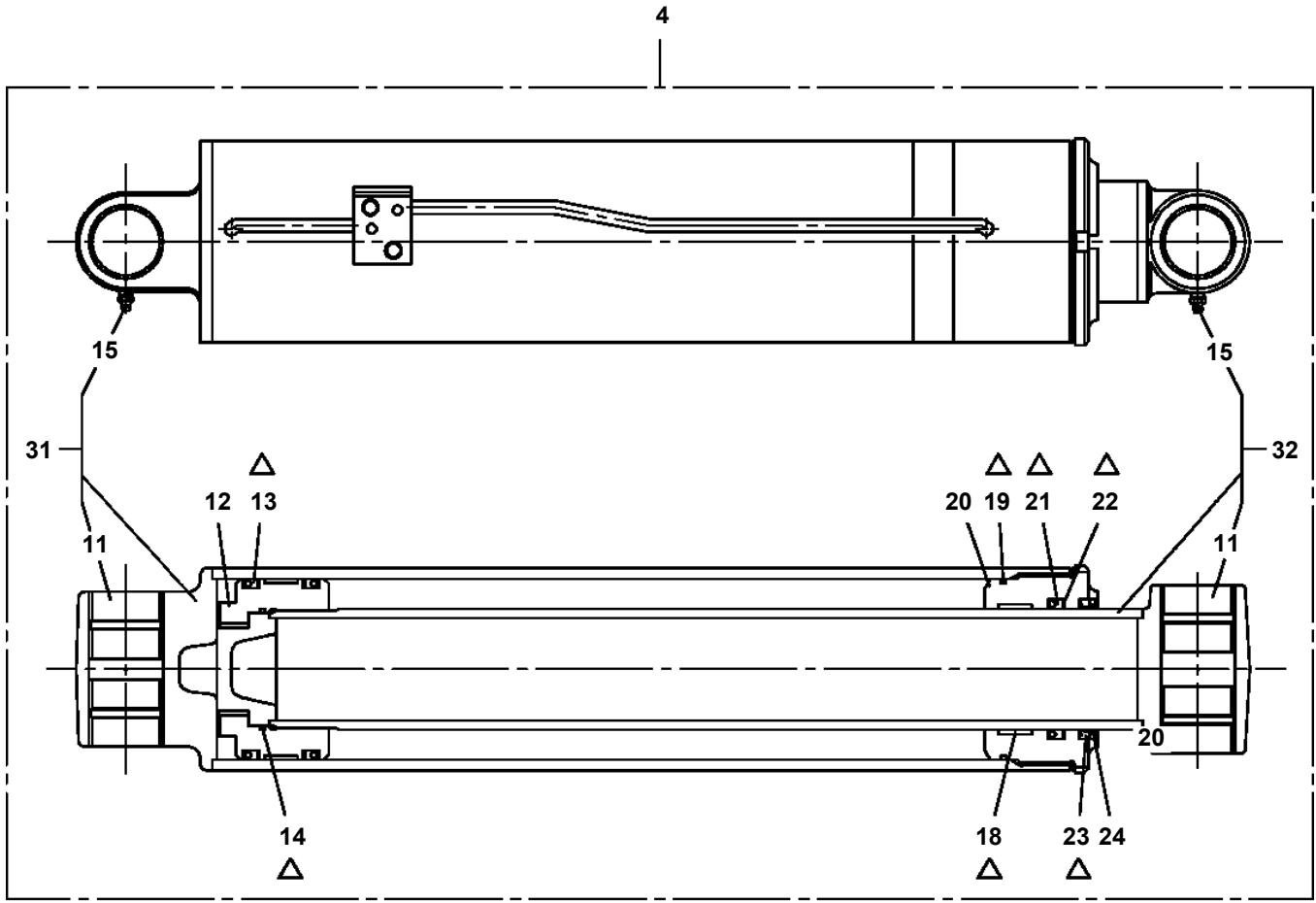
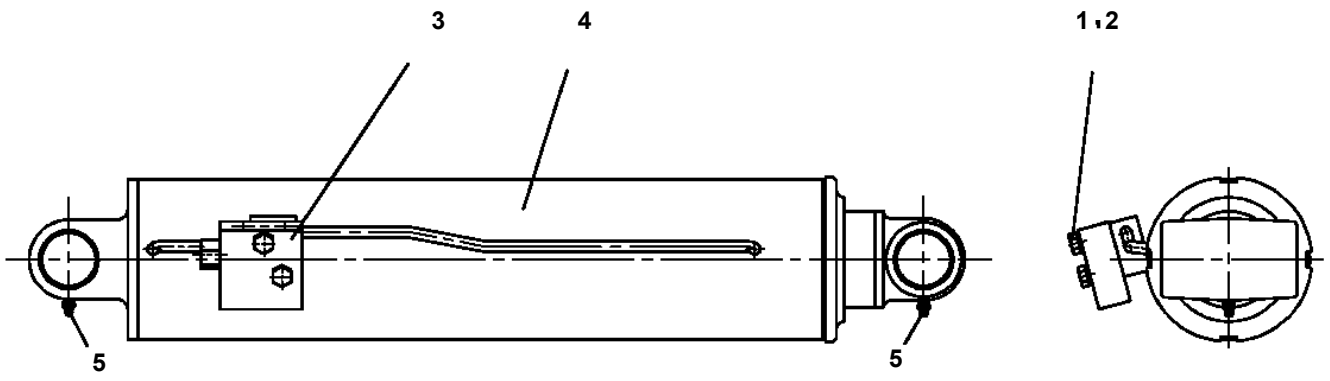
TM-ZF300 31013010320A FRAME/SL,REMOTE-RADIO CONT.,HOOK-IN  
PC1100139-02 OPE.ASSY,OUTRIGGER (REAR)



# TM-ZF300 31013010320A FRAME/SL,REMOTE-RADIO CONT.,HOOK-IN

Pos No.	Parts No	Parts Name	Qty	Unit	Technical Data	Serial No (Start)	Serial No (End)	Remarks	Pages
1	37002417360	HOSE	2		L=1800				
2	37002436720	HOSE	2		L=1850				
3	80320310020	FITTING,ELBOW	4				EB3633		
	37000924770	FITTING,ELBOW	4			EB3634			
4	82100002039	CLAMP	4						
5	90101208016	BOLT	2		M8X16				
6	90302040801	WASHER,SPRING	2		8				
7	91810130240	FASTENER	2						
8	90302040601	WASHER,SPRING	2		6				
9	80182206010	SCREW,MACHINE	2						
10	90201200600	NUT	2		M6				

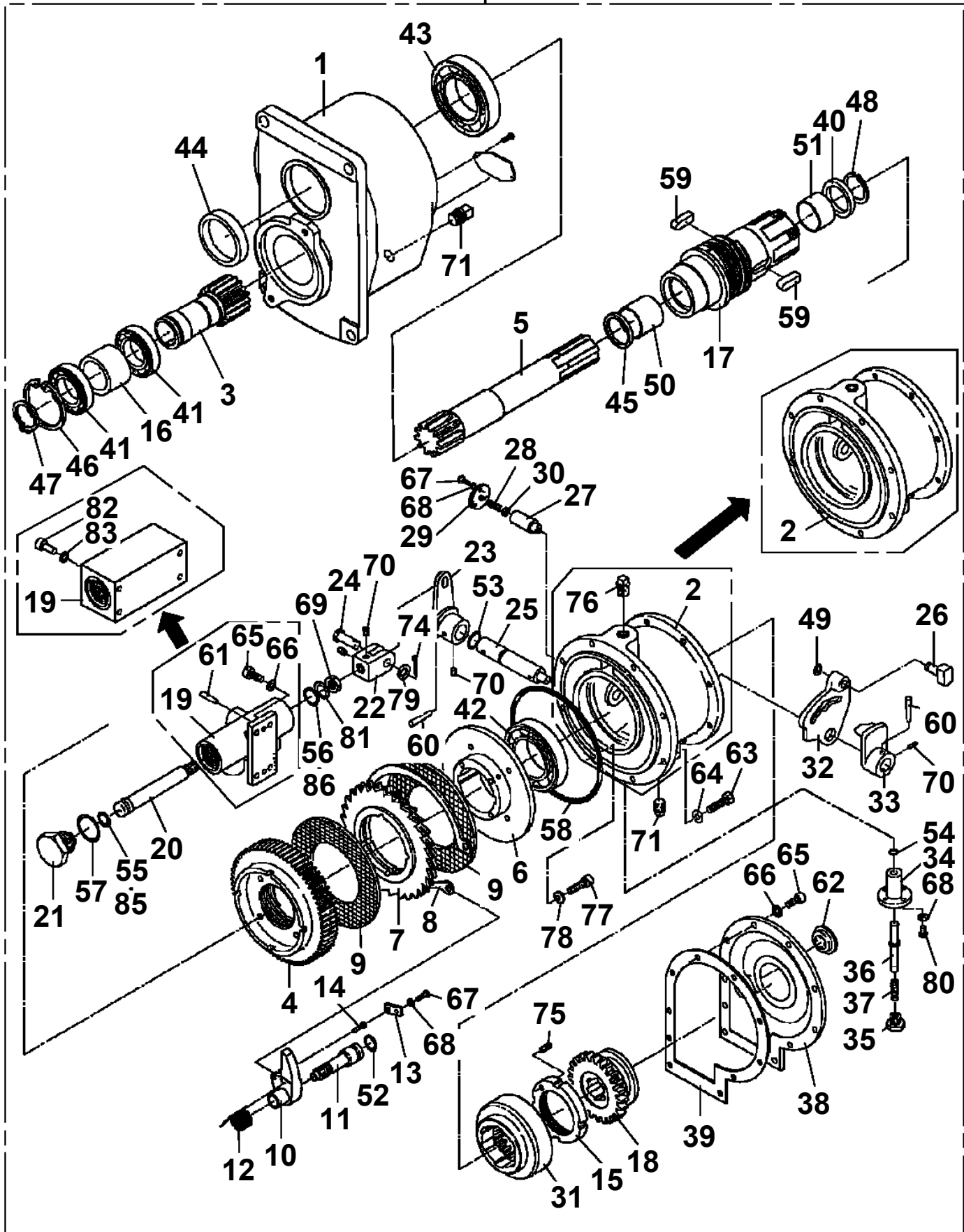
**TM-ZF300 31013010320A FRAME/SL,REMOTE-RADIO CONT.,HOOK-IN  
PE1010183-02 CYLINDER,ELEVATING**



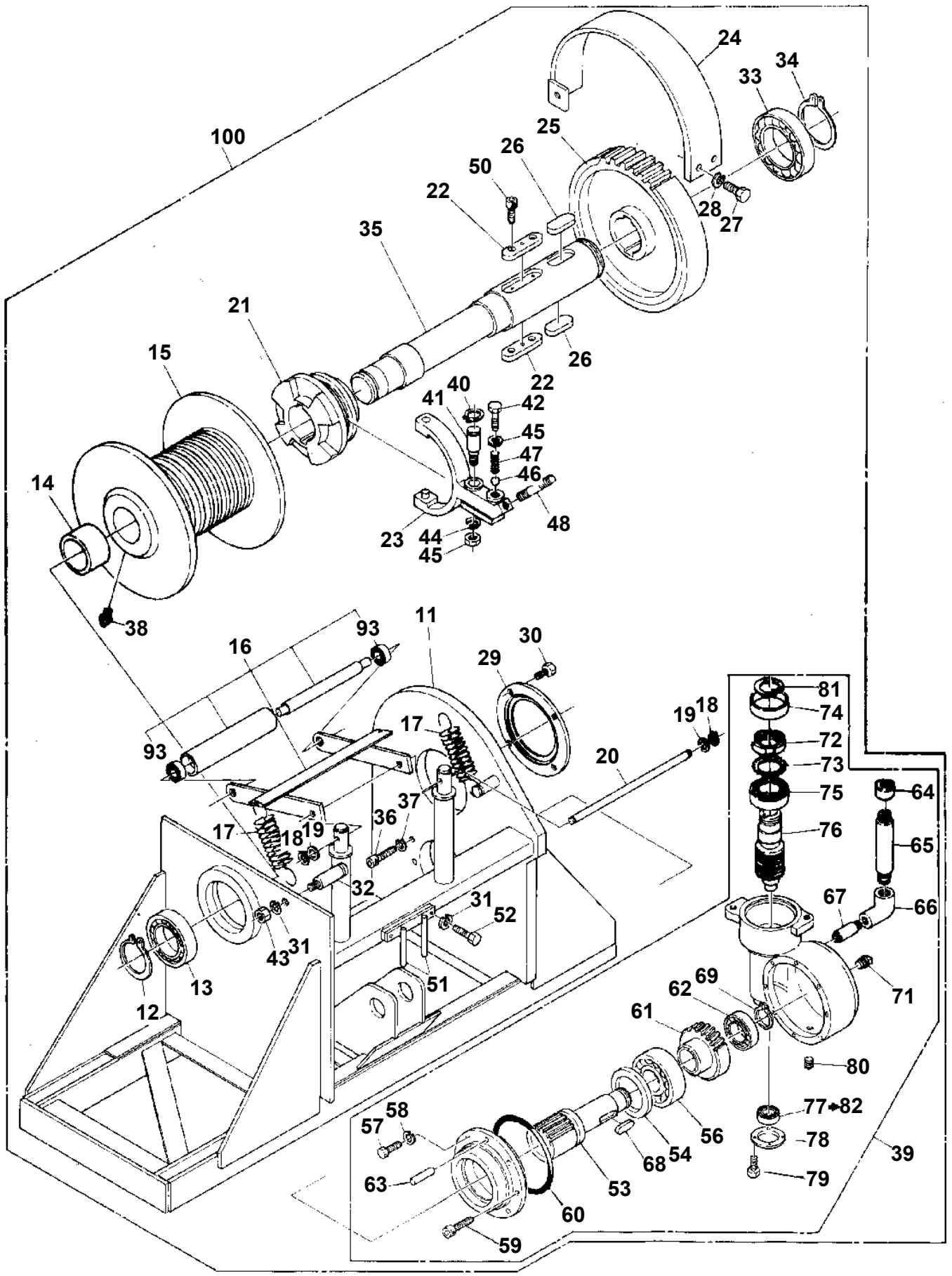
Δ:PACKING SET KEY NO.40 (KEY NO.13,14,18,19,21,22,23)

TM-ZF300 31013010320A FRAME/SL,REMOTE-RADIO CONT.,HOOK-IN  
PF1010133-01 WINCH (DRUM FREE)

100



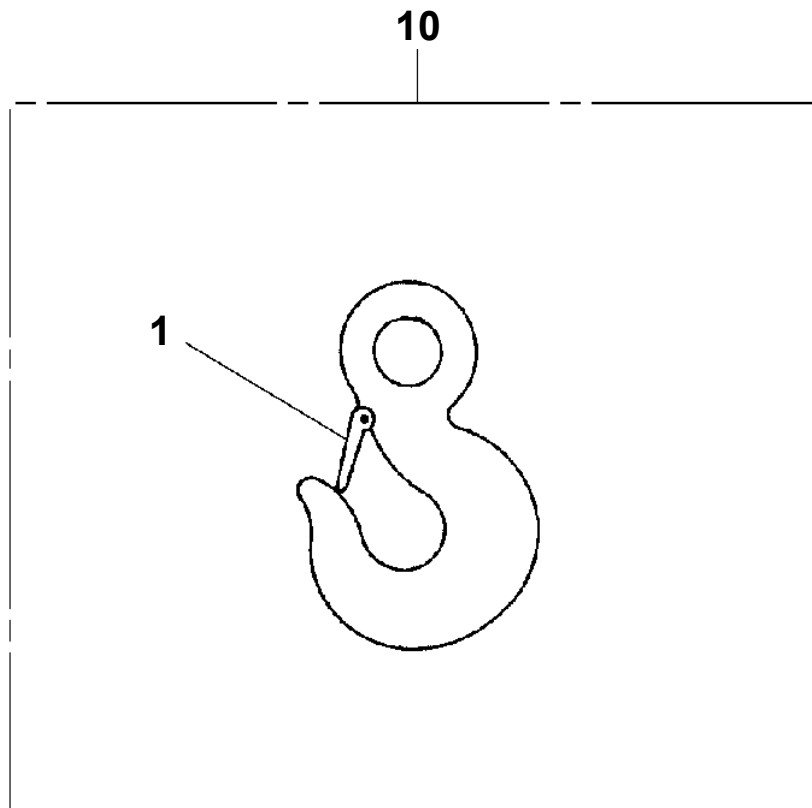
TM-ZF300 31013010320A FRAME/SL,REMOTE-RADIO CONT.,HOOK-IN  
PF1010177-00 WINCH (SL 4TONX1)



TM-ZF300 31013010320A FRAME/SL,REMOTE-RADIO CONT.,HOOK-IN  
 PF1010265-00 WINCH (4TON SELF)

1	ウインチ WINCH
2	フック HOOK
3	オペ . ASSY , ソウサハ* ルフ* OPE . ASSY , CONT . VALVE
4	パイピ* ング* , ウインチ PIPING , WINCH
6	ストツハ* , タイヤ STOPPER , TIRE
7	フ* レ-トASSY , ネ-ム PLATE ASSY , NAME

TM-ZF300 31013010320A FRAME/SL,REMOTE-RADIO CONT.,HOOK-IN  
PF1050126-01 HOOK

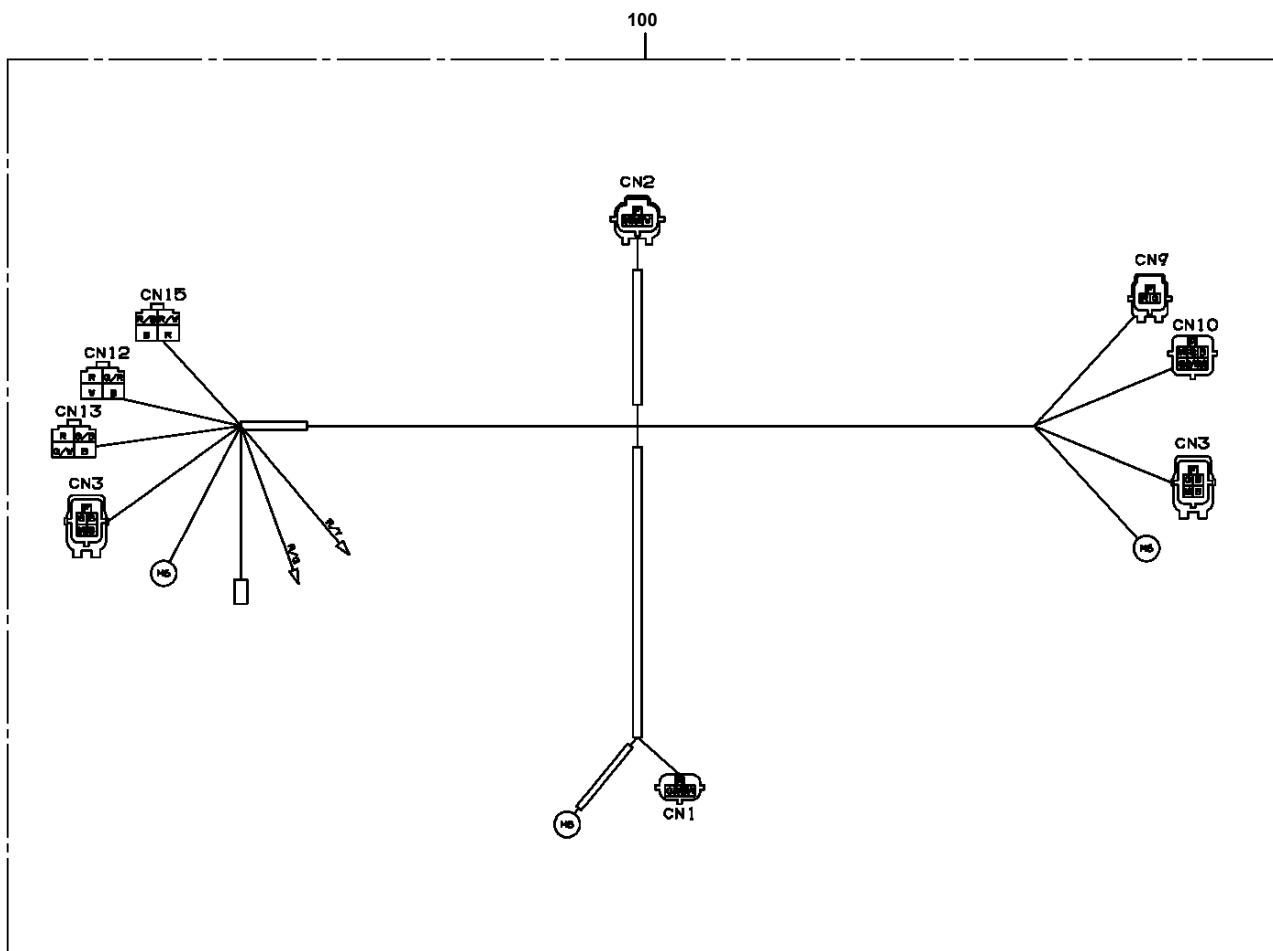


TM-ZF300 31013010320A FRAME/SL,REMOTE-RADIO CONT.,HOOK-IN  
PF1050455-00 HOOK

1	フック HOOK
2	プレートASSY,ネーム PLATE ASSY,NAME



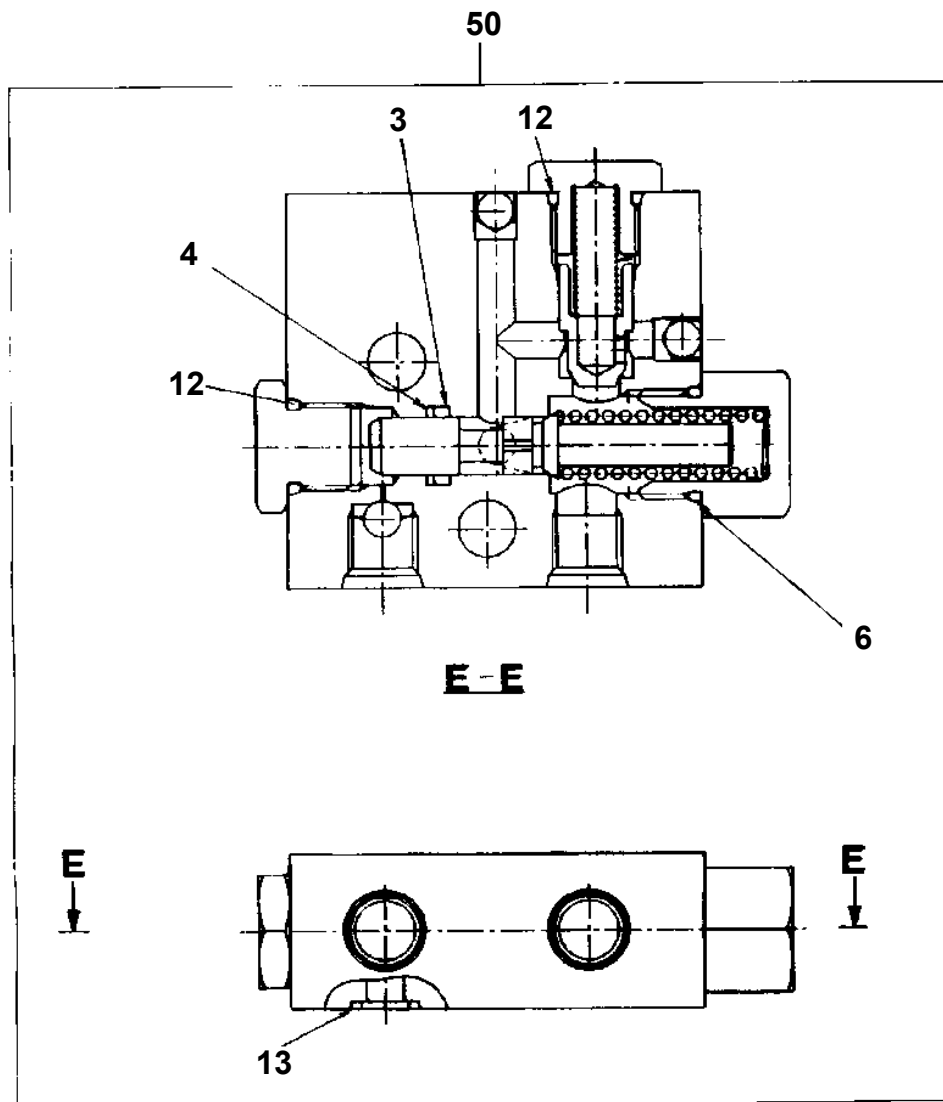
TM-ZF300 31013010320A FRAME/SL,REMOTE-RADIO CONT.,HOOK-IN  
PH5034323-00 HARNESS



# TM-ZF300 31013010320A FRAME/SL,REMOTE-RADIO CONT.,HOOK-IN

Pos No.	Parts No	Parts Name	Qty	Unit	Technical Data	Serial No (Start)	Serial No (End)	Remarks
1	36662295010	SEAL,DUST	1					
4	91000504100	O-RING	1					
5	36662295020	SEAL,OIL	1					
7	36660375070	KEY	1		7X7X31.5			
9	36662295030	SEAL,SHAFT	1					
13	91000501100	O-RING	3					
16	91000503800	O-RING	1					
19	36660645130	SEAL	1					
20	36660645140	SEAL	1					
25	91001101100	O-RING	1		1A P11			
28	91000590300	O-RING	2					
44	91000504100	O-RING	2					
50	36660645160	SEAL KIT (FOR MOTOR)	1					
100	36662290000	MOTOR,HYDRAULIC	1					

TM-ZF300 31013010320A FRAME/SL,REMOTE-RADIO CONT.,HOOK-IN  
PI1250073-01 VALVE,COUNTERBALANCE (ELEVATING)



CLICK HERE TO **DOWNLOAD** THE COMPLETE MANUAL

- Thank you very much for reading the preview of the manual.
- You can download the complete manual from: [www.heydownloads.com](http://www.heydownloads.com) by clicking the link below

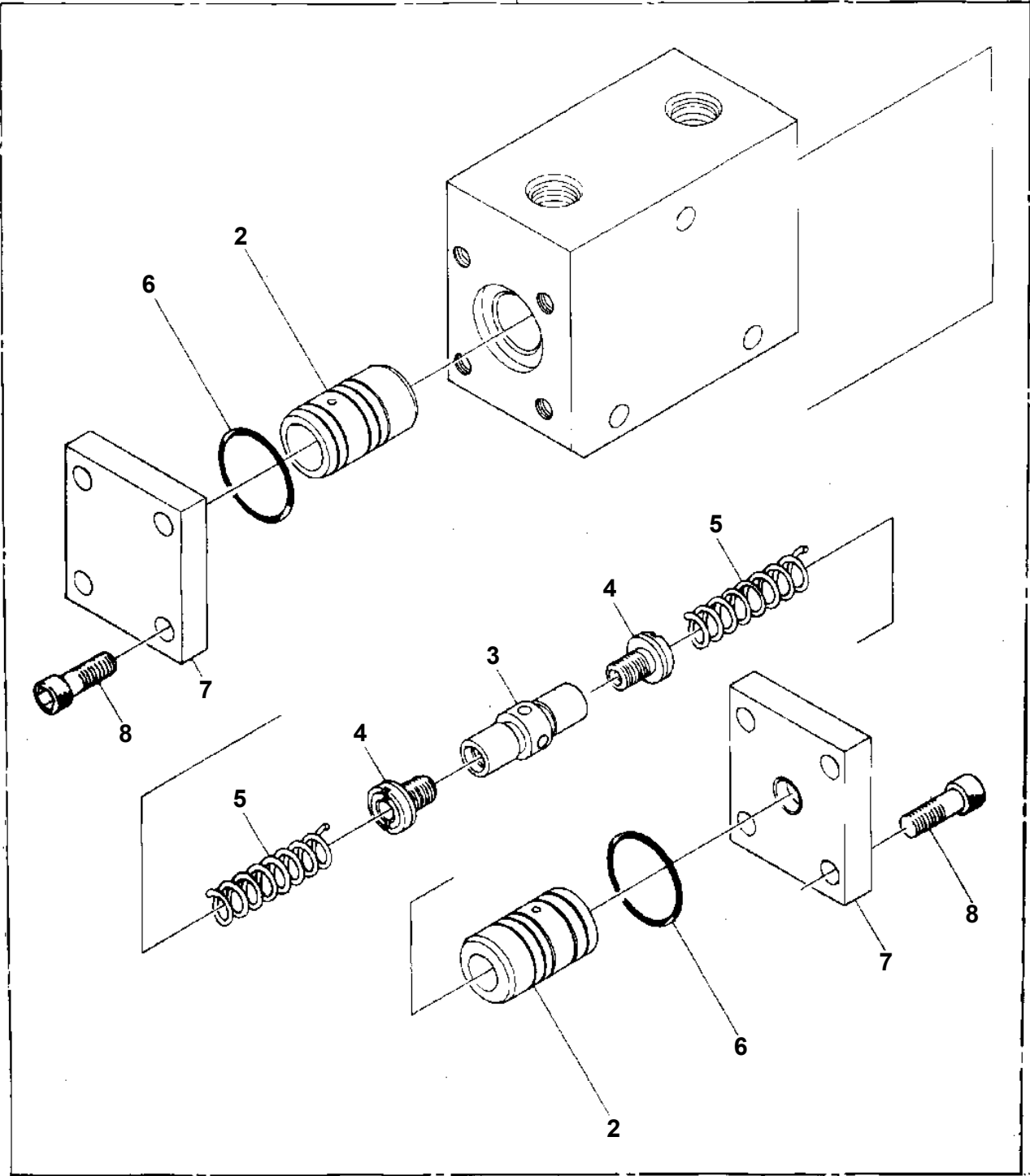


- Please note: If there is no response to CLICKING the link, please download this PDF first and then click on it.

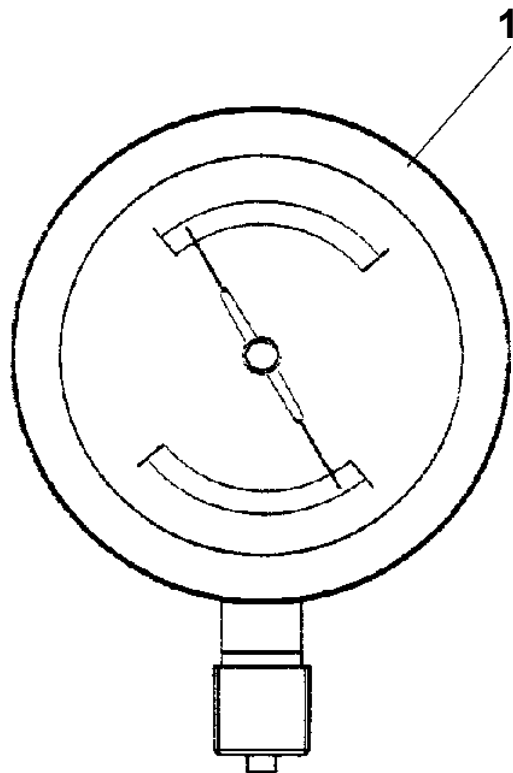
CLICK HERE TO **DOWNLOAD** THE COMPLETE MANUAL

TM-ZF300 31013010320A FRAME/SL,REMOTE-RADIO CONT.,HOOK-IN  
PI1330006-00 VALVE,DIVIDING & COMBINING (MURAKAMI)

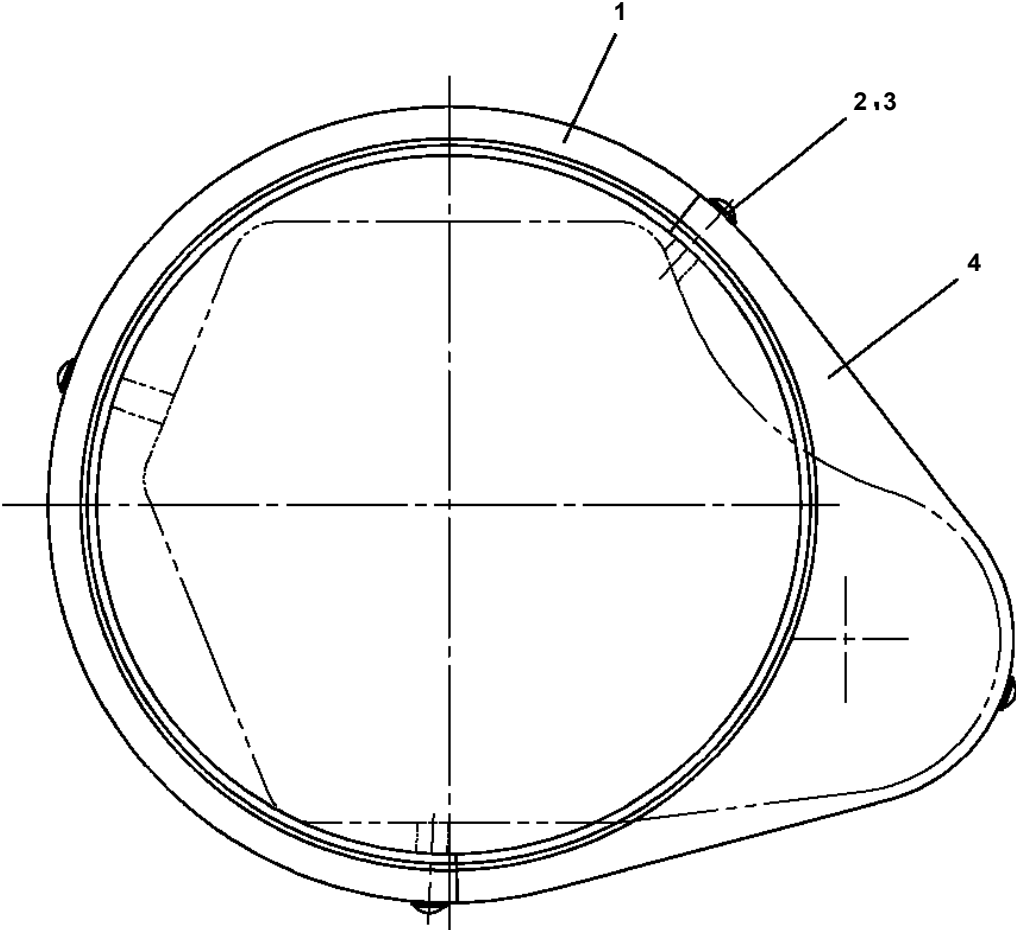
20



TM-ZF300 31013010320A FRAME/SL,REMOTE-RADIO CONT.,HOOK-IN  
PI1440023-00 METER,LOAD (7000IDS ENGLISH/NAGANO)



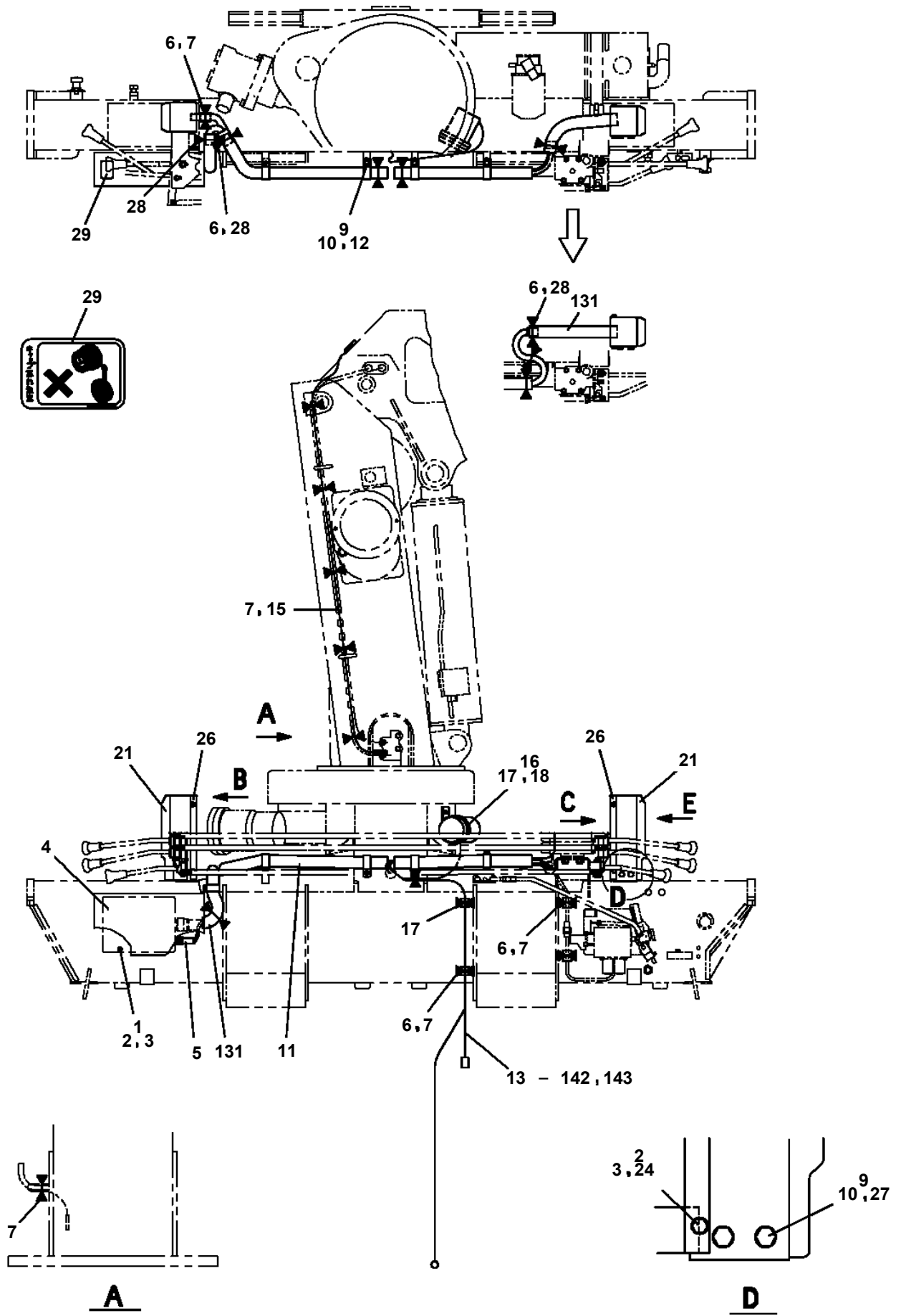
TM-ZF300 31013010320A FRAME/SL,REMOTE-RADIO CONT.,HOOK-IN  
PK1200221-00 COVER,SWING FRAME



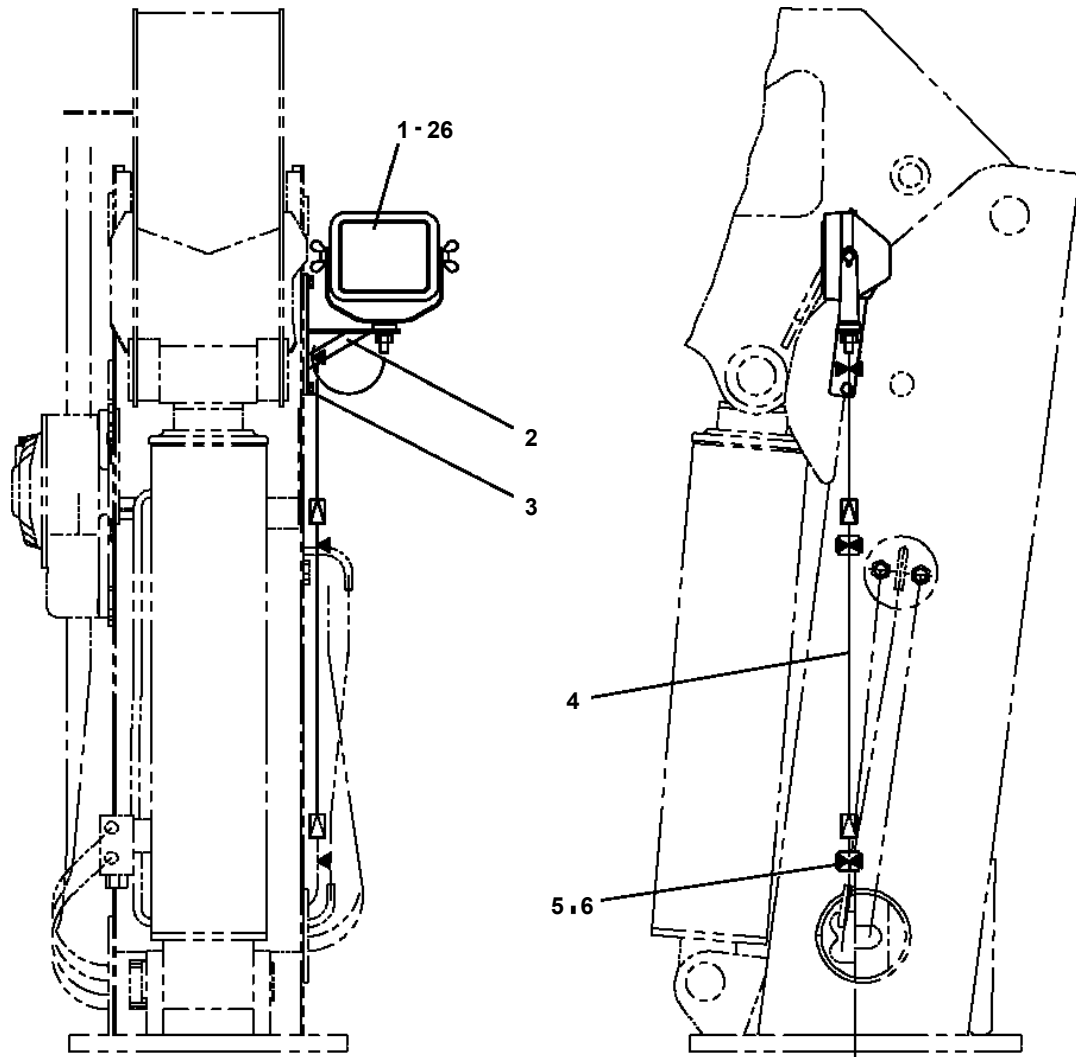
# TM-ZF300 31013010320A FRAME/SL,REMOTE-RADIO CONT.,HOOK-IN

Pos No.	Parts No	Parts Name	Qty	Unit	Technical Data	Serial No (Start)	Serial No (End)	Rema
1	31473662100	ROD	1					
2	80620210050	PIN,SNAP	14					
3	37000101180	PIN ASSY	1					
4	80136340020	PIN,SPLIT	1		4X20			
5	31322224200	PLATE	6		L=1			
6	31322053250	LEVER	1					
7	31322053200	LEVER	1					
8	31322053150	LEVER	1					
9	31473662200	LEVER	1					
10	31322050500	KNOB (BLACK)	5					
11	31322050550	KNOB (RED)	1					
12	37002213050	PLATE,NAME (TELESCOPING)	1					
13	37002213060	PLATE,NAME (WINCH)	1					
14	37002213070	PLATE,NAME (ELEVATING)	1					
15	37002213080	PLATE,NAME (SWING)	1					
16	31322120400	BAR	1					
17	37002213110	PLATE,NAME	1					
18	90101208016	BOLT	4		M8X16			
19	90302040801	WASHER,SPRING	4		8			
20	90303070801	WASHER,PLAIN	4		8			
21	31322120300	SUPPORT	1					
22	37002213170	PLATE,NAME	1					
23	31473682100	SUPPORT	1					
24	31322120100	LEVER	1					
31	80136340020	PIN,SPLIT	1		4X20			
32	37000101190	PIN	1					

**TM-ZF300 31013010320A FRAME/SL,REMOTE-RADIO CONT.,HOOK-IN  
PN1011418-03 ELEC.ASSY (RADIO CONTROL)**



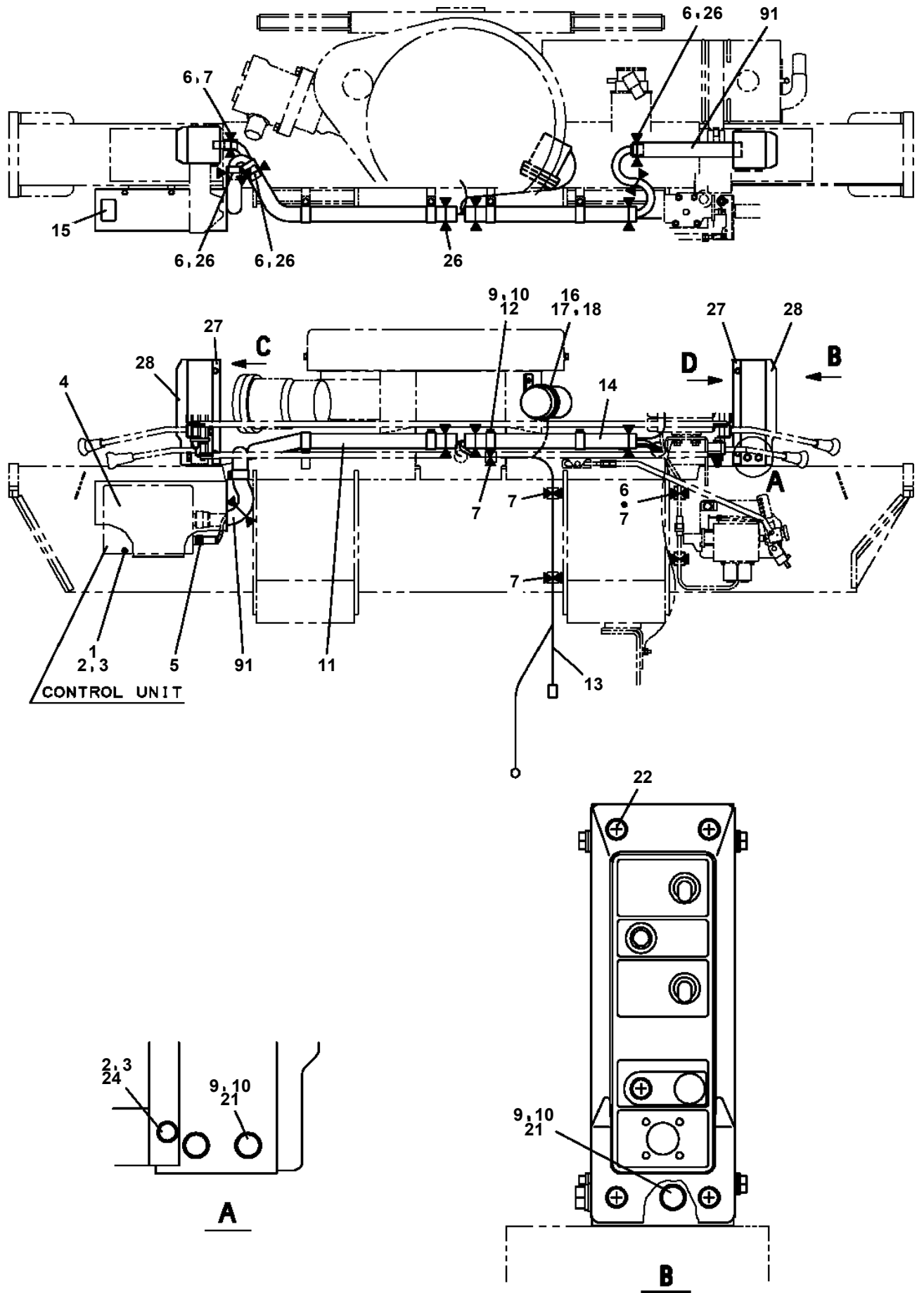
TM-ZF300 31013010320A FRAME/SL,REMOTE-RADIO CONT.,HOOK-IN  
PN1011423-03 ELEC.ASSY (UPPER,LAMP/POST)



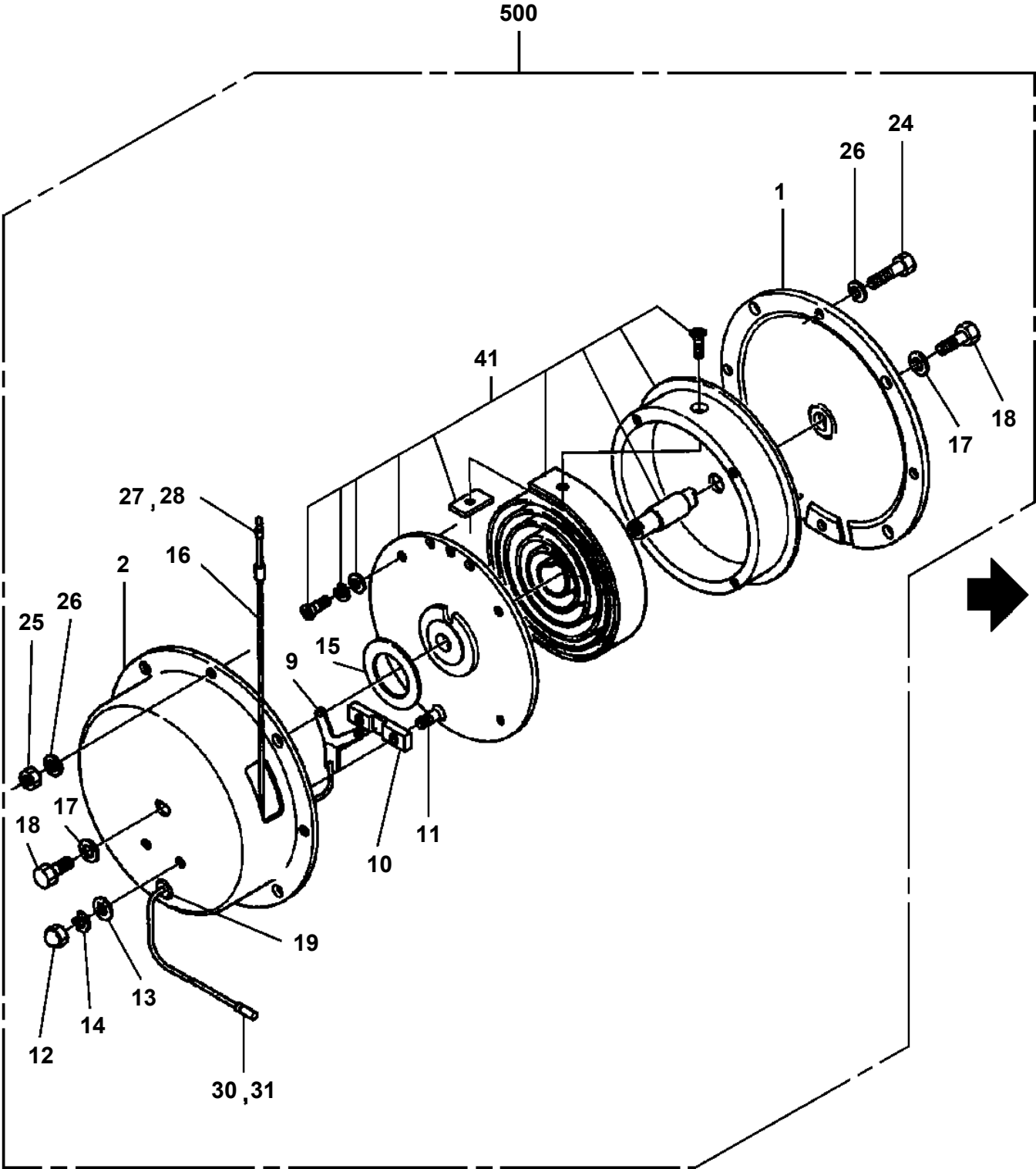
# TM-ZF300 31013010320A FRAME/SL,REMOTE-RADIO CONT.,HOOK-IN

Pos No.	Parts No	Parts Name	Qty	Unit	Technical Data	Serial No (Start)	Serial No (End)	Remarks	Pa
1	31473460300	HARNES (RED)	1		L=1600				
2	91810130240	FASTENER	12						
3	31473472100	HARNES (RED)	1		L=3000		KB0872		
	31501812100	HARNES	1		L=3000	KB0873			
4	82401601002	CLAMP	1						
5	31650690200	PLATE	2		T=9				
6	36160670000	REEL,CORD	1				KA8919		000
	36161770000	REEL ASSY,CORD	1			KA8920	KB0872		000
	36161700000	REEL ASSY,CORD	1			KB0873			000
7	90102206014	BOLT	5		M6X14				
8	90302040601	WASHER,SPRING	5		6				
9	90303070601	WASHER,PLAIN	4		6				
10	32200156090	SUPPORT	5						
11	82165904030	LAMP	1		24V 45W				
12	90201201000	NUT	1		M10				
13	90302040201	WASHER,SPRING (2)	1						
14	90813108020	BOLT,WING	1		M8X20				
15	90309331201	WASHER	2		L12				
16	90303071201	WASHER,PLAIN	1		12				
17	80136325025	PIN,SPLIT	1		2.5X25				
18	90236201200	NUT,CASTLE	1		2H M12				
19	31650690500	LEVER	1						
20	31650690400	SUPPORT	1						
21	31650690300	SUPPORT	1						
22	90201200600	NUT	1		M6				
23	82100000191	TERMINAL	1						
24	82100000183	INSULATOR	1						
31	82166025550	BULB,LAMP	1		24V 45W				
32	82100002850	LENS	1						

**TM-ZF300 31013010320A FRAME/SL,REMOTE-RADIO CONT.,HOOK-IN  
PN1012022-02 ELEC.ASSY (RADIO CONTROL)**



TM-ZF300 31013010320A FRAME/SL,REMOTE-RADIO CONT.,HOOK-IN  
PN1350004-01 REEL,CORD



**TM-ZF300 31013010320A FRAME/SL,REMOTE-RADIO CONT.,HOOK-IN**

Pos No.	Parts No	Parts Name	Qty	Unit	Technical Data	Serial No (Start)	Serial No (End)	Rema
1	31394550100	PLATE,CAUTION	1					
2	37002213800	PLATE,NAME (WINCH)	1					
3	37002213810	PLATE,NAME (TELESCOPING)	1					
4	12437013001	PLATE,NAME	1					
5	37002201460	PLATE,NAME	1					
6	37002206490	PLATE,NAME (GREASE)	2					
7	37002213060	PLATE,NAME (WINCH)	1					

# TM-ZF300 31013010320A FRAME/SL,REMOTE-RADIO CONT.,HOOK-IN

Pos No.	Parts No	Parts Name	Qty	Unit	Technical Data	Serial No (Start)	Serial No (End)	Remarks	Pages
1	31394471101	PLATE,NAME	1						
2	31394471201	PLATE,NAME	1						
3	31394471302	PLATE,NAME	2						
4	31394471402	PLATE,NAME	1						
5	37002213690	PLATE,NAME	1						

# TM-ZF300 31013010320A FRAME/SL,REMOTE-RADIO CONT.,HOOK-IN

Pos No.	Parts No	Parts Name	Qty	Unit	Technical Data	Serial No (Start)	Serial No (End)	Remarks	Pages
1	31394353100	PLATE,NAME	1						
2	31394353200	PLATE,NAME	1						
3	31394353301	PLATE,NAME	2						
4	31394353401	PLATE,NAME	1						
5	37002213700	PLATE,NAME	1						

# TM-ZF300 31013010320A FRAME/SL,REMOTE-RADIO CONT.,HOOK-IN

Pos No.	Parts No	Parts Name	Qty	Unit	Technical Data	Serial No (Start)	Serial No (End)	Remarks	Pages
1	31394482100	PLATE,NAME	1						
2	31394482200	PLATE,NAME	1						
3	31394482301	PLATE,NAME	2						
4	31394482401	PLATE,NAME	1						
5	37002213720	PLATE,NAME	1						

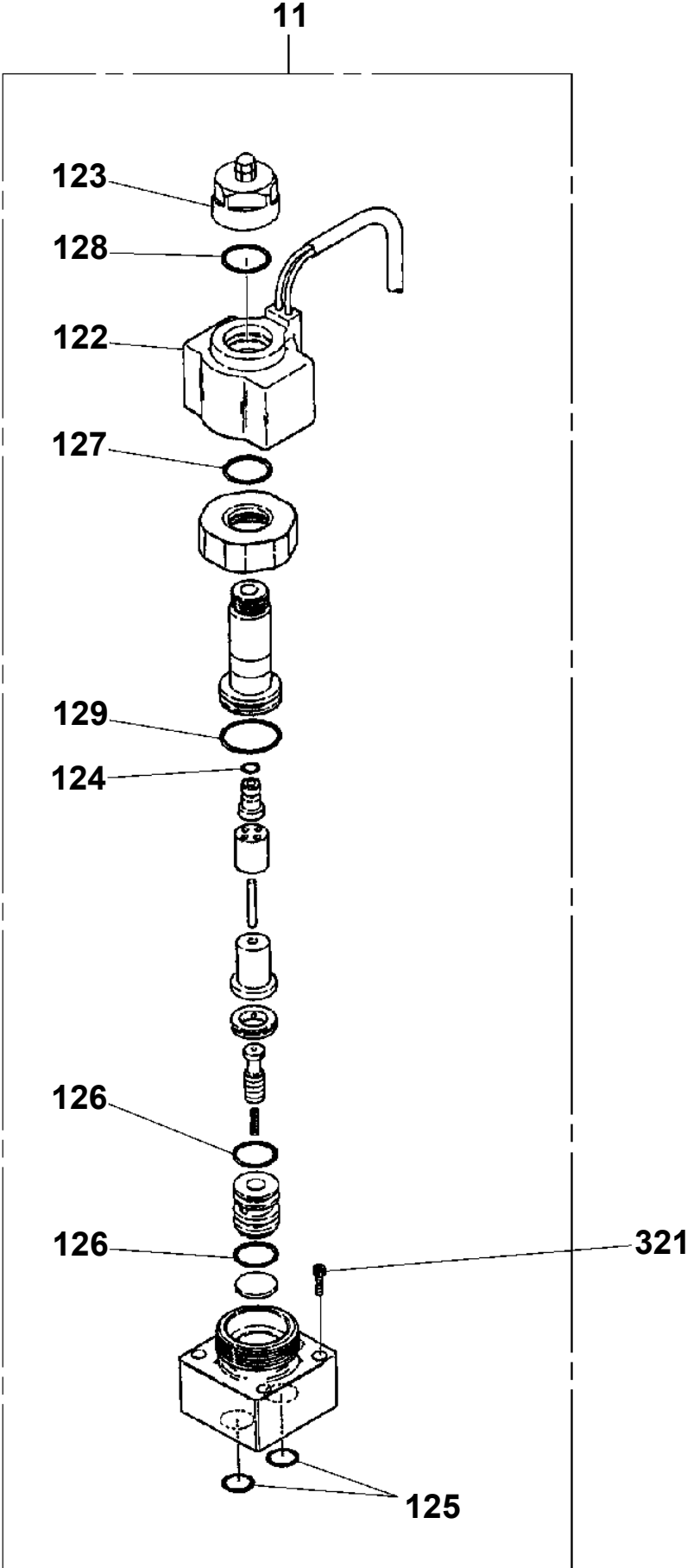
# TM-ZF300 31013010320A FRAME/SL,REMOTE-RADIO CONT.,HOOK-IN

Pos No.	Parts No	Parts Name	Qty	Unit	Technical Data	Serial No (Start)	Serial No (End)	Remarks	Page
1	36161705010	CASE	1						
2	36132015010	PLATE (BASE)	1						
3	36161705020	PACKING	1						
4	36161705030	SPRING ASSY	1						
5	32360005050	RING,SLIP	1						
6	32360005060	CONTACTOR ASSY	1						
7	31370005070	GROMMET	1						
8	31370005080	GUIDE (CORD)	1						
10	36160935030	WASHER	2						
22	36160325010	COLLAR	1						
24	36131745090	CORD	17	M					
100	36161700000	REEL ASSY,CORD	1						

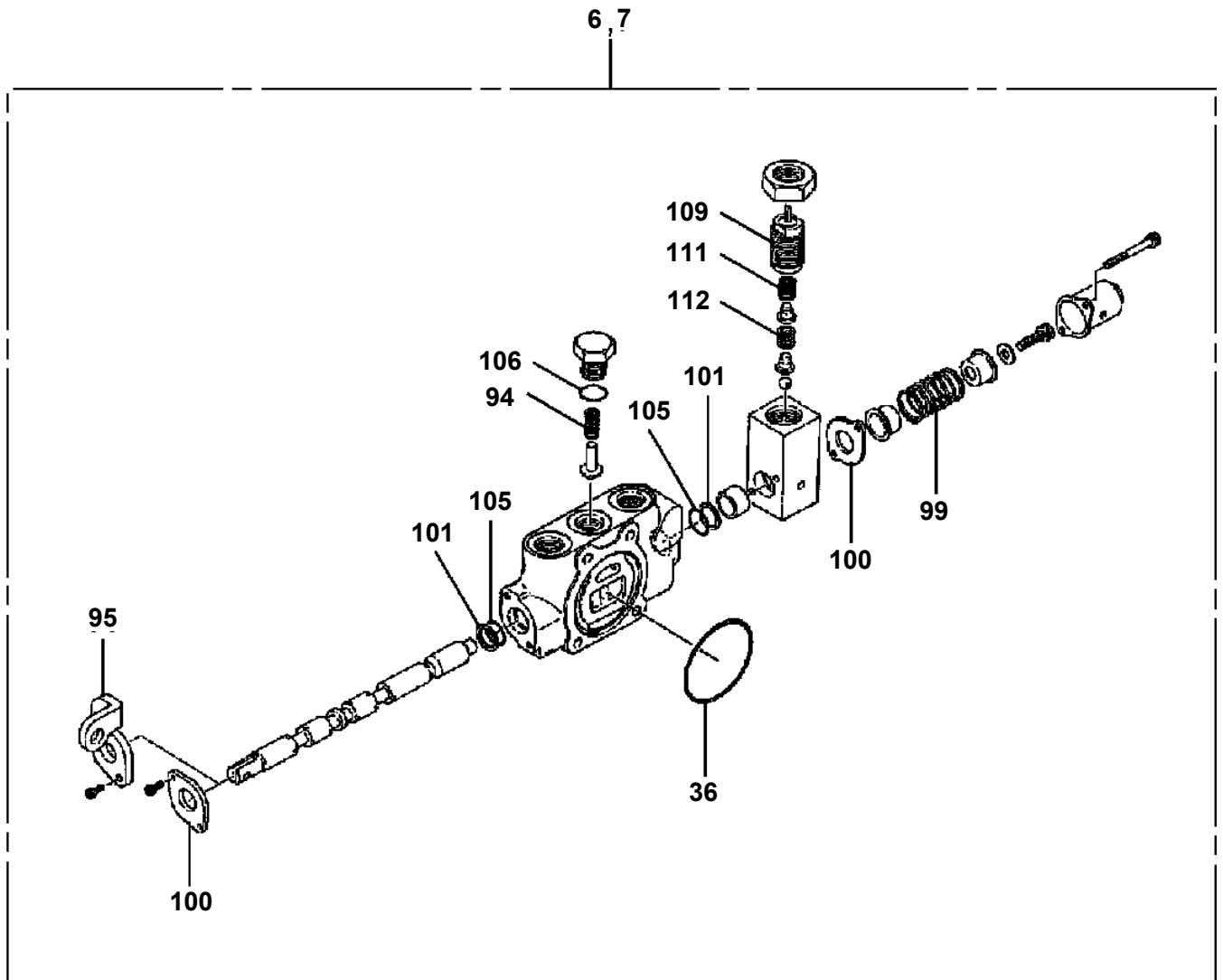
# TM-ZF300 31013010320A FRAME/SL,REMOTE-RADIO CONT.,HOOK-IN

Pos No.	Parts No	Parts Name	Qty	Unit	Technical Data	Serial No (Start)	Serial No (End)	P
1	82101940130	SWITCH,PUSH (3PJW106F-021-CC)	2					
	82101940130	SWITCH,PUSH (3PJW106F-021-CC)	2					
	82101940130	SWITCH,PUSH (3PJW106F-021-CC)	2					
10	31651761600	SWITCH ASSY (PLANTING:NACC)	1					
	31651761600	SWITCH ASSY (PLANTING:NACC)	1					
	31651761600	SWITCH ASSY (PLANTING:NACC)	1					

**TM-ZF300 31013010320A FRAME/SL,REMOTE-RADIO CONT.,HOOK-IN  
PV1020027-05 VALVE,REMOTE CONTROL(NACHI)**



TM-ZF300 31013010320A FRAME/SL,REMOTE-RADIO CONT.,HOOK-IN  
PV1020097-06 VALVE,REMOTE CONTROL (HOOK-IN,NACHI)



# TM-ZF300 31013010320A FRAME/SL,REMOTE-RADIO CONT.,HOOK-IN

Pos No.	Parts No	Parts Name	Qty	Unit	Technical Data	Serial No (Start)	Serial N
1	36800565050	CASE KIT (UPPER)	1				
2	36800565070	CASE KIT (LOWER)	1				
3	36800555080	LABEL (SEAL)	1				
4	36800095041	BELT ASSY	1				
5	36800565100	COVER (BATTERY)	1				
6	36800095030	CASE (BATTERY)	1				
21	36800095060	CASE (RING)	1				
22	36800565060	ANTENNA (FLEXIBLE)	1				
23	36800565150	PLATE,NAME	1				
24	36801995060	RUBBER ASSY	1				
32	36800565080	CASE ASSY	1				
42	36800295110	GUARD	1				
43	36801995080	GRIP	1				
50	36800562000	SWITCH BOX (RADIO CONTROL.M2.TYPE-B)	1				

**TM-ZF300 31013010320A FRAME/SL,REMOTE-RADIO CONT.,HOOK-IN**

Pos No.	Parts No	Parts Name	Qty	Unit	Technical Data	Serial No (Start)	Serial No (End)	Re
1	36802435060	PLATE,NAME	1					
2	36802435070	PANEL	1					
3	36802435080	BUTTON (RUBBER)	1					
4	36802435090	LENS	2					
5	36802435100	GUARD	1					
6	36802435110	PLATE	1					
7	36802435050	SCREW	1					
8	36802435120	CAP	1					
9	36802435130	PACKING	1					
10	36802435140	BRUSH	2					
11	36802435150	SHAFT	1					
30	36802435010	SWITCH BOX (RADIO CONTROL)	1					

## TM-ZF300 31013010320A FRAME/SL,REMOTE-RADIO CONT.,HOOK-IN

Pos No.	Parts No	Parts Name	Qty	Unit	Technical Data	Serial No (Start)	Serial No (End)	Remarks	Pa
1	36800555051	CASE KIT (UPPER)	1						
2	36800565071	CASE KIT (LOWER)	1						
3	36800555081	PLATE,NAME (SEAL)	1						
4	36800095042	BELT ASSY	1						
5	36800565101	COVER (BATTERY)	1						
6	36800095031	CASE (BATTERY)	1						
21	36800095061	RING (CASE)	1						
22	36800565061	ANTENNA (FLEXIBLE)	1						
23	36800565151	PLATE,NAME	1						
24	36801995061	RUBBER ASSY	1						
32	36800565081	CASE ASSY (LEVER)	1						
42	36800295111	GUARD (HAND)	1						
43	36801995081	GRIP	1						
100	36800552001	SWITCH BOX	1						

**TM-ZF300 31013010320A FRAME/SL,REMOTE-RADIO CONT.,HOOK-IN**

Pos No.	Parts No	Parts Name	Qty	Unit	Technical Data	Serial No (Start)	Serial No
2	36800085010	GASKET	1				
4	36800565010	CONNECTOR ASSY (SPEAKER)	1				
6	36800565020	CONNECTOR ASSY	1				
11	36800565030	SPACER (RUBBER A)	1				
12	36800555080	LABEL (SEAL)	1				
21	36800565040	PANEL ASSY (TIRMINAL)	1				
50	36802011000	CONTROL BOX (RADIO CONTROL,TYPE-E)	1				

**TM-ZF300 31013010320A FRAME/SL,REMOTE-RADIO CONT.,HOOK-IN**

Pos No.	Parts No	Parts Name	Qty	Unit	Technical Data	Serial No (Start)	Serial No (End)	Remarks	Pages
1	36804011000	CONTROL BOX	1						000211
2	31653450200	CAP	2						
10	36803781000	CONTROL BOX	1						

# TM-ZF300 31013010320A FRAME/SL,REMOTE-RADIO CONT.,HOOK-IN

Pos No.	Parts No	Parts Name	Qty	Unit	Technical Data	Serial No (Start)	Serial No
1	36062285010	BLOCK,CYLINDER	1				
2	36642415250	COIL,SOLENOID (WITHOUT CONNECTOR)	2				
3	36642415230	CASE (COIL)	2				
4	36642415240	YOKE (A)	2				
5	36642415270	YOKE (B)	4				
6	36642415280	NUT	2				
7	36642415290	COIL (LVDT, WITHOUT CONNECTOR)	1				
8	36642415300	SHIM (T=0.5)	2				
9	36642415310	SHIM (T=0.2)	2				
21	36642415320	PLATE	1				
22	36642415220	RING,BACKUP	1				
26	91001101001	O-RING	1		1A P10A		
27	91001101400	O-RING	2		1A P14		
28	91001102800	O-RING	1		1A P28		
29	91002803200	O-RING	1		1B P32		
30	91411001400	RING,BACKUP	1		P14		
31	91411002800	RING,BACKUP	2		P28		
49	80560055000	BALL,STEEL	4		3/16		
50	36642415260	BALL,STEEL	2				
51	91001000900	O-RING	2		S9		
52	91001000700	O-RING	2		S7		
53	91001001800	O-RING	2		S18		
54	91000501700	O-RING	2				
55	36370105600	O-RING	2				
67	36645155230	COIL ASSY (LVDT/EHS)	1				
68	36645155240	COIL ASSY (FHS)	1				
86	36062605020	BOLT,HEXAGON SOCKET(WITH WASHER)	2		M4X15		
87	36062605030	WASHER	2				
100	36062280000	CYLINDER,ACCELERATOR (NACHI)	1				

# TM-ZF300 31013010320A FRAME/SL,REMOTE-RADIO CONT.,HOOK-IN

Pos No.	Parts No	Parts Name	Qty	Unit	Technical Data	Serial No (Start)	Serial N
2	(*****)	MOUNT,ANTENNA (FOR RADIO CONTROL)	1				
3	(*****)	ELEC.ASSY (RADIO CONTROL)	1				EB3199
	(*****)	ELEC.ASSY (RADIO CONTROL)	1			EB3200	EB7575
	(*****)	ELEC.ASSY (RADIO CONTROL)	1			EB7576	
4	36800541000	STOWING BOX (BAG,RADIO CONTROL)	1				
11	36804021001	CONTROL UNIT	1				
	36804041001	CONTROL UNIT	1				
	36800561000	CONTROL BOX (RADIO CONTROL.M2.B)	1				
	36800551000	CONTROL BOX (RADIO CONTROL.M2.A)	1				ER0029
12	36800562000	SWITCH BOX (RADIO CONTROL.M2.TYPE-B)	1				
	36800562001	SWITCH BOX	1				
	36800552000	SWITCH BOX (RADIO CONTROL.M2.TYPE-A)	1				
	36800552001	SWITCH BOX	1				

# TM-ZF300 31013010320A FRAME/SL,REMOTE-RADIO CONT.,HOOK-IN

Pos No.	Parts No	Parts Name	Qty	Unit	Technical Data	Serial No (Start)	Serial No
1	36800280000	CABLE,REMOTE CONTROL (T,OPTION 20M)	1				

**TM-ZF300 31013010320A FRAME/SL,REMOTE-RADIO CONT.,HOOK-IN**

Pos No.	Parts No	Parts Name	Qty	Unit	Technical Data	Serial No (Start)	Serial No
1	36801465010	ELEMENT,ANTENNA (FLEXIBLE,TYPE D,E)	2				
2	36802105020	CABLE ASSY	1		8M		ES5340
	36802105021	CABLE ASSY	1		8M	ES5341	
3	36800615010	ARM (28X300)	1				
7	36800145020	WASHER	1				
8	36800145030	NUT	1				
10	36802100000	ANTENNA	1				

CLICK HERE TO **DOWNLOAD** THE COMPLETE MANUAL

- Thank you very much for reading the preview of the manual.
- You can download the complete manual from: [www.heydownloads.com](http://www.heydownloads.com) by clicking the link below



- Please note: If there is no response to CLICKING the link, please download this PDF first and then click on it.

CLICK HERE TO **DOWNLOAD** THE COMPLETE MANUAL