

**TM-ZF300 31013010120A FRAME/SL,REMOTE-RADIO CONT.**

**PB2000012-01 POWER TAKE OFF & PUMP (ZF300,ZF360)**

**PK2000375-00 FRAME UNIT**

**PO1000122-01 INDICATION PLATES**

**PV1000075-02 REMOTE CONTROL SYSTEM**

**PY1000373-00 OPTIONS**

**ASSEMBLY**

CLICK HERE TO **DOWNLOAD** THE COMPLETE MANUAL

- Thank you very much for reading the preview of the manual.
- You can download the complete manual from: [www.heydownloads.com](http://www.heydownloads.com) by clicking the link below



- Please note: If there is no response to CLICKING the link, please download this PDF first and then click on it.

CLICK HERE TO **DOWNLOAD** THE COMPLETE MANUAL

## TM-ZF300 31013010120A FRAME/SL,REMOTE-RADIO CONT.

Pos No.	Parts No	Parts Name	Qty	Unit	Technical Data	Serial No (Start)	Serial
1	(*****)	REMOTE CONTROL (KIT)	1				
2	(*****)	RADIO CONTROL (HOOK-IN)	1				
	(*****)	RADIO CONTROL	1				
	(*****)	RADIO CONTROL (PARTS)	1				
3	36800280000	CABLE,REMOTE CONTROL (T,OPTION 20M)	1				
4	36800150000	ANTENNA (15M.TRAVELLING TYPE A,B)	1				
7	(*****)	HOOK	1				
	(*****)	HOOK (3TON SL WINCH, 2-PART LINE/MOUNT)	1				
8	(*****)	DETECTOR,DISORDERLY WINDING	1				
9	(*****)	OUTRIGGER,REAR (MANUAL)	1				
	(*****)	OUTRIGGER,REAR (ROTARY)	1				
10	(*****)	ROPE,GUIDE	1				
11	(*****)	LAMP (MOUNT,BOOM/24V-45W)	1				
	(*****)	LAMP (MOUNT,POST/24V-60W)	1				
14	(*****)	PLATE (355X355,H=80)	1				
17	(*****)	ALARM SYSTEM	1				
18	(*****)	WINCH (3TON SELF)	1				
	(*****)	WINCH (DRUM FREE)	1				
	(*****)	WINCH (4TON SELF)	1				

# TM-ZF300 31013010120A FRAME/SL,REMOTE-RADIO CONT.

Pos No.	Parts No	Parts Name	Qty	Unit	Technical Data	Serial No (Start)	Serial No (End)	Remarks	Page
1	52130202121	CASE	1						
2	52130202320	COVER (BEARING)	1						
3	52130202330	COVER	1						
4	52130202021	GEAR	1						
5	52130202010	SHAFT (OUTPUT)	1						
6	52130202040	FORK (SHIFTER)	1						
7	52130202050	SHAFT (SHIFTER)	1						
8	52130202030	YOKE	1						
9	52430304110	KEY	1						
10	80500006206	BEARING,BALL	2						
11	52430101090	WASHER,PLAIN	1						
12	52130302070	WASHER (LOCK)	1						
13	91209201200	NUT	1						
14	91206030009	SEAL,OIL	1						
15	91206020007	SEAL,OIL	1						
16	90191208020	BOLT	8		M8X20				
17	90302040801	WASHER,SPRING	8		8				
18	80560010000	BALL,STEEL	1		10				
19	52430604190	SPRING	1						
20	52430604180	PACKING	1						
21	52430304150	BOLT (ADJUSTING)	1						
22	90209201200	NUT	1		M12				
23	52130307290	PACKING	2						
24	52130202240	PACKING	2						
25	90191210030	BOLT	6		M10X30				
26	90302041001	WASHER,SPRING	6		10				
50	52130202001	POWER TAKE OFF	1						

# TM-ZF300 31013010120A FRAME/SL,REMOTE-RADIO CONT.

Pos No.	Parts No	Parts Name	Qty	Unit	Technical Data	Serial No (Start)	Serial No (End)	Remarks	Pa
1	36400845060	CASE	1						
2	36400845020	GEAR	1						
3	36400845030	SHAFT	1						
4	36400845040	GEAR	1						
5	36400395050	SHAFT	1						
6	36400095100	SHIFTER ASSY	1						
7	36400095110	PACKING	1						
8	36400095070	COVER (BEARING)	1						
9	36400095080	PACKING (COVER)	1						
10	36400095090	SHIM	1						
11	36400675030	COLLAR	1						
12	80500006206	BEARING,BALL	2						
13	36400675050	BEARING	2						
14	91206030005	SEAL,OIL	1						
15	80602110520	RING,RITAINING	2		R52				
16	36400095130	WASHER	1						
17	90101206015	BOLT	1		M6X15				
18	90191208020	BOLT	4		M8X20				
19	90191208014	BOLT	3		M8X14				
20	90302040801	WASHER,SPRING	7		8				
21	36401025060	PLUG	1						
22	36401025070	WASHER,PLAIN	1						
24	36401025090	PLATE,NAME	1						
25	36401025100	PACKING	1						
26	36400095150	BOLT,STUD	6		M10X1.25/1.5X43				
27	90267201000	NUT	6		M10				
28	90302041001	WASHER,SPRING	6		10				
29	31790770100	SUPPORT	1						
30	90191208025	BOLT	2		M8X25				
31	36401025120	NUT (REINFORCER)	1						
50	36400840000	POWER TAKE OFF	1						
100	31790770000	POWER TAKE OFF	1						

# TM-ZF300 31013010120A FRAME/SL,REMOTE-RADIO CONT.

Pos No.	Parts No	Parts Name	Qty	Unit	Technical Data	Serial No (Start)	Serial No (End)	Remarks	Page
1	36400895010	CASE	1						
2	36400895020	GEAR	1						
3	36400895030	SHAFT	1						
4	36400895040	GEAR	1						
5	36400415050	SHAFT	1						
6	36400215070	COLLAR	2						
7	36400225110	SHIFTER SET	1						
8	36400095110	PACKING	1						
9	36400095070	COVER (BEARING)	1						
10	36400095080	PACKING (COVER)	1						
11	36400095090	SHIM	1						
12	80500006206	BEARING,BALL	2						
13	91206030005	SEAL,OIL	1						
14	91001102100	O-RING	1		1A P21				
15	90710006120	SCREW,SET	1		M6X12				
16	90191208020	BOLT	4		M8X20				
17	90191208014	BOLT	3		M8X14				
18	90302040801	WASHER,SPRING	7		8				
19	36400675050	BEARING	2						
20	80602110520	RING,RITAINING	2		R52				
23	36400415100	PACKING (CASE)	1						
24	36400095150	BOLT,STUD	2		M10X1.25/1.5X43				
25	90191210030	BOLT	6		M10X30				
26	90267201000	NUT	2		M10				
27	90302041001	WASHER,SPRING	8		10				
28	31790670100	SUPPORT	1						
29	90191208025	BOLT	2		M8X25				
39	36400225160	SEAL,OIL	1						
50	36400890000	POWER TAKE OFF	1						
100	31791370000	POWER TAKE OFF	1						

## TM-ZF300 31013010120A FRAME/SL,REMOTE-RADIO CONT.

Pos No.	Parts No	Parts Name	Qty	Unit	Technical Data	Serial No (Start)	Serial No (End)	Remarks	Pa
1	36401025010	CASE	1						
2	36401025020	GEAR	1						
3	36400845030	SHAFT	1						
4	36401025030	GEAR	1						
5	36400395050	SHAFT	1						
6	36400095100	SHIFTER ASSY	1						
7	36400095110	PACKING	1						
8	36400095070	COVER (BEARING)	1						
9	36400095080	PACKING (COVER)	1						
10	36400095090	SHIM	1						
11	36400675030	COLLAR	1						
12	80500006206	BEARING,BALL	2						
13	36401025050	BEARING	2						
14	91206030005	SEAL,OIL	1						
15	80602110470	RING,RITAINING	2		R47				
16	36400095130	WASHER	1						
17	90101206015	BOLT	1		M6X15				
18	90191208020	BOLT	4		M8X20				
19	90191208014	BOLT	3		M8X14				
20	90302040801	WASHER,SPRING	7		8				
21	36401025060	PLUG	1						
22	36401025070	WASHER,PLAIN	1						
24	36401025090	PLATE,NAME	1						
25	36401025100	PACKING	1						
26	36400095150	BOLT,STUD	6		M10X1.25/1.5X43				
27	90267201000	NUT	6		M10				
28	90302041001	WASHER,SPRING	6		10				
29	31790770100	SUPPORT	1						
30	90191208025	BOLT	2		M8X25				
31	36401025120	NUT (REINFORCER)	1						
50	36401020000	POWER TAKE OFF	1						
100	31790810000	POWER TAKE OFF	1						

# TM-ZF300 31013010120A FRAME/SL,REMOTE-RADIO CONT.

Pos No.	Parts No	Parts Name	Qty	Unit	Technical Data	Serial No (Start)	Serial No (End)	Remarks	Page
1	36400895010	CASE	1						
2	36400895020	GEAR	1						
3	36400895030	SHAFT	1						
4	36400895040	GEAR	1						
5	36400415050	SHAFT	1						
6	36400215070	COLLAR	2						
7	36400225110	SHIFTER SET	1						
8	36400095110	PACKING	1						
9	36400095070	COVER (BEARING)	1						
10	36400095080	PACKING (COVER)	1						
11	36400095090	SHIM	1						
12	80500006206	BEARING,BALL	2						
13	91206030005	SEAL,OIL	1						
14	91001102100	O-RING	1		1A P21				
15	90710006120	SCREW,SET	1		M6X12				
16	90191208020	BOLT	4		M8X20				
17	90191208014	BOLT	3		M8X14				
18	90302040801	WASHER,SPRING	7		8				
19	36400675050	BEARING	2						
20	80602110520	RING,RITAINING	2		R52				
22	36400415100	PACKING (CASE)	1						
23	36400095150	BOLT,STUD	2		M10X1.25/1.5X43				
24	90191210030	BOLT	6		M10X30				
25	90267201000	NUT	2		M10				
26	90302041001	WASHER,SPRING	8		10				
27	31790910100	SUPPORT	1						
28	90191208025	BOLT	2		M8X25				
39	36400225160	SEAL,OIL	1						
50	36401180000	POWER TAKE OFF	1						
100	31790910000	POWER TAKE OFF	1						

# TM-ZF300 31013010120A FRAME/SL,REMOTE-RADIO CONT.

Pos No.	Parts No	Parts Name	Qty	Unit	Technical Data	Serial No (Start)	Serial No (End)	Remarks	Pages
1	36401365010	CASE	1						
2	36401385010	GEAR	1						
3	36400895030	SHAFT	1						
4	36400095040	SHAFT	1						
5	36400095050	COLLAR	1						
6	36401385020	GEAR	1						
7	36400095070	COVER (BEARING)	1						
8	36400095080	PACKING (COVER)	1						
9	36400095090	SHIM	1						
10	36400095100	SHIFTER ASSY	1						
11	36400095110	PACKING	1						
12	80500006206	BEARING,BALL	2						
13	36400095120	BEARING	2						
14	80602110520	RING,RITAINING	2		R52				
15	91206030005	SEAL,OIL	1						
16	90101206012	BOLT	1		M6X12				
17	36400095130	WASHER	1						
18	90191208020	BOLT	4		M8X20				
19	90191208014	BOLT	3		M8X14				
20	90302040801	WASHER,SPRING	7		8				
21	36400345010	SPACER	1						
22	36400335030	SHIM	1						
23	90191210035	BOLT	4		M10X35				
24	36401385030	BOLT	4						
25	90267201000	NUT	4		M10				
26	90302041001	WASHER,SPRING	8		10				
28	31790680100	SUPPORT	1						
29	90191208025	BOLT	1		M8X25				
50	36401380000	POWER TAKE OFF	1						
100	31790960000	POWER TAKE OFF	1						

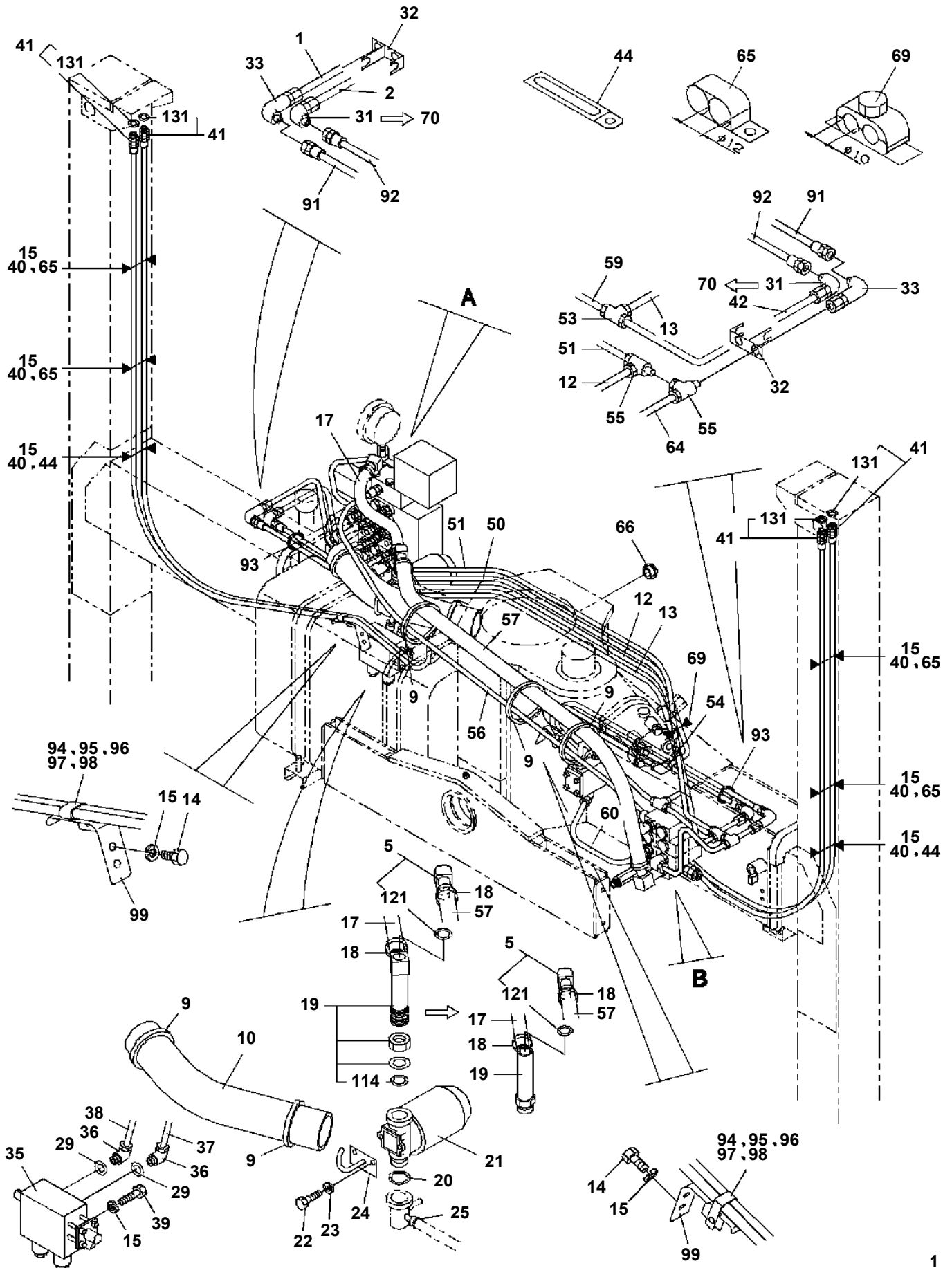
# TM-ZF300 31013010120A FRAME/SL,REMOTE-RADIO CONT.

Pos No.	Parts No	Parts Name	Qty	Unit	Technical Data	Serial No (Start)	Serial No (End)	Remarks	Pages
1	36401515010	CASE	1						
2	36401515020	GEAR (TO)	1						
3	36401665010	SHAFT	1						
4	36401665020	GEAR	1						
5	36400095040	SHAFT	1						
6	36400095050	COLLAR	1						
7	36400095100	SHIFTER ASSY	1						
8	36400095120	BEARING	2						
9	80500006206	BEARING,BALL	2						
10	91280416790	SEAL,OIL	1						
11	36400095070	COVER (BEARING)	1						
12	36400095080	PACKING (COVER)	1						
13	36400095090	SHIM	N						
14	90101206012	BOLT	1		M6X12				
15	36400095130	WASHER	1						
16	90191208014	BOLT	3		M8X14				
17	90302040801	WASHER,SPRING	7		8				
18	36400095110	PACKING	1						
19	90191208020	BOLT	4		M8X20				
20	80602110520	RING,RITAINING	2		R52				
22	36400055070	PACKING	1						
23	36400195030	BOLT,STUD	4						
24	90267201000	NUT	4		M10				
25	90193210025	BOLT	2		M10X25				
26	90302041001	WASHER,SPRING	6		10				
27	31790660100	SUPPORT	1						
28	90191208025	BOLT	2		M8X25				
50	36401660000	POWER TAKE OFF	1						
100	31791580000	POWER TAKE OFF	1						

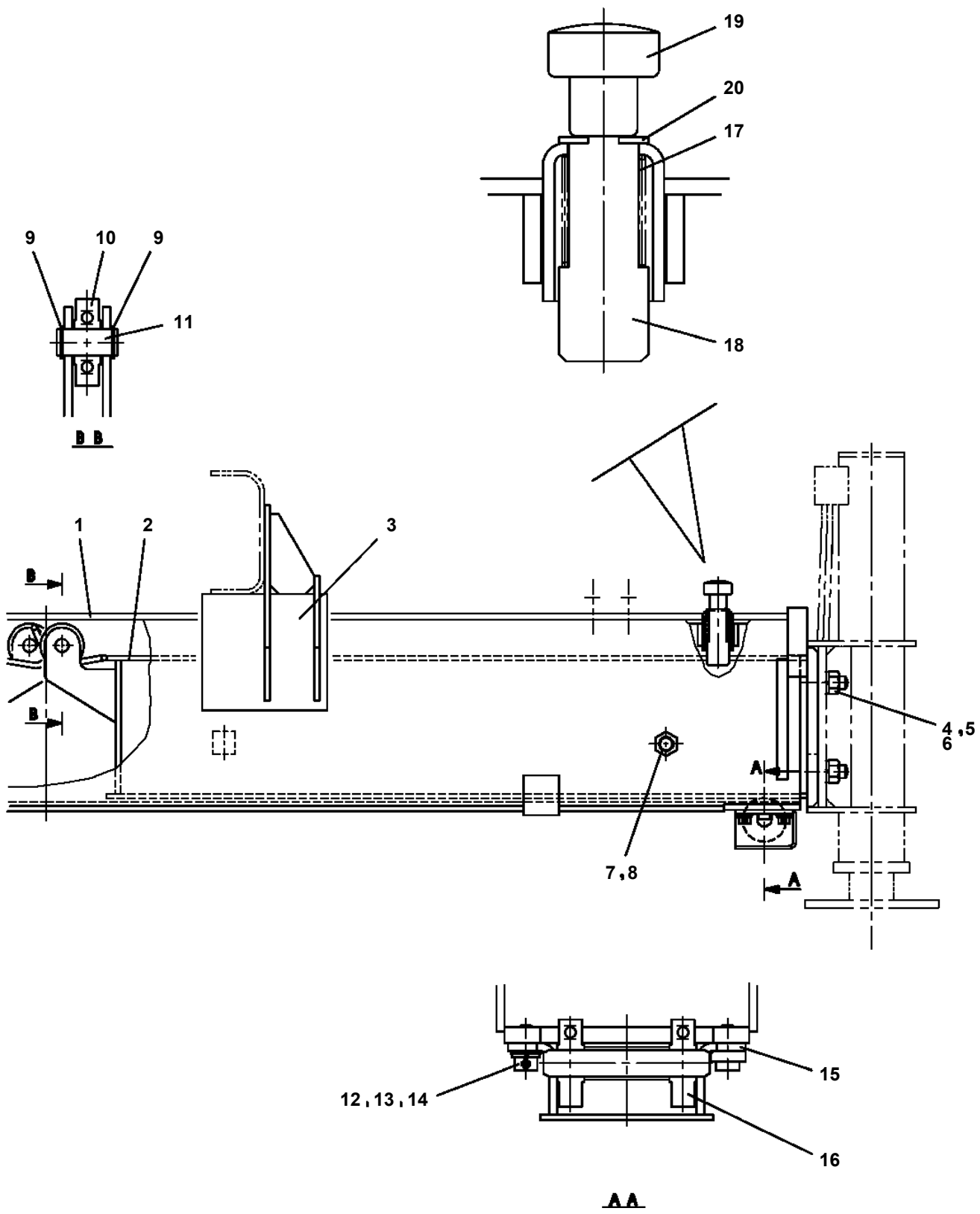
## TM-ZF300 31013010120A FRAME/SL,REMOTE-RADIO CONT.

Pos No.	Parts No	Parts Name	Qty	Unit	Technical Data	Serial No (Start)	Serial No (End)	Remarks
1	31630475100	BODY	1					
2	31630475200	CORE	1					
3	91531208000	PACKING	2					
4	91100308000	RING,SEAL	7					
5	31630735500	RING,SLIP (WITH BRUSH)	1					
6	82121502030	PLATE	1					
7	82114203030	CONNECTOR (CAP)	1					
10	90180208016	BOLT,BUTTON	2		M8X16			
11	90302040801	WASHER,SPRING	6		8			
12	90102208014	BOLT	4		M8X14			
13	90303070801	WASHER,PLAIN	4		8			
14	90303100801	WASHER,PLAIN	2		8			
20	31630479910	PACKING SET	1					
30	31630730000	JOINT,ROTARY	1					

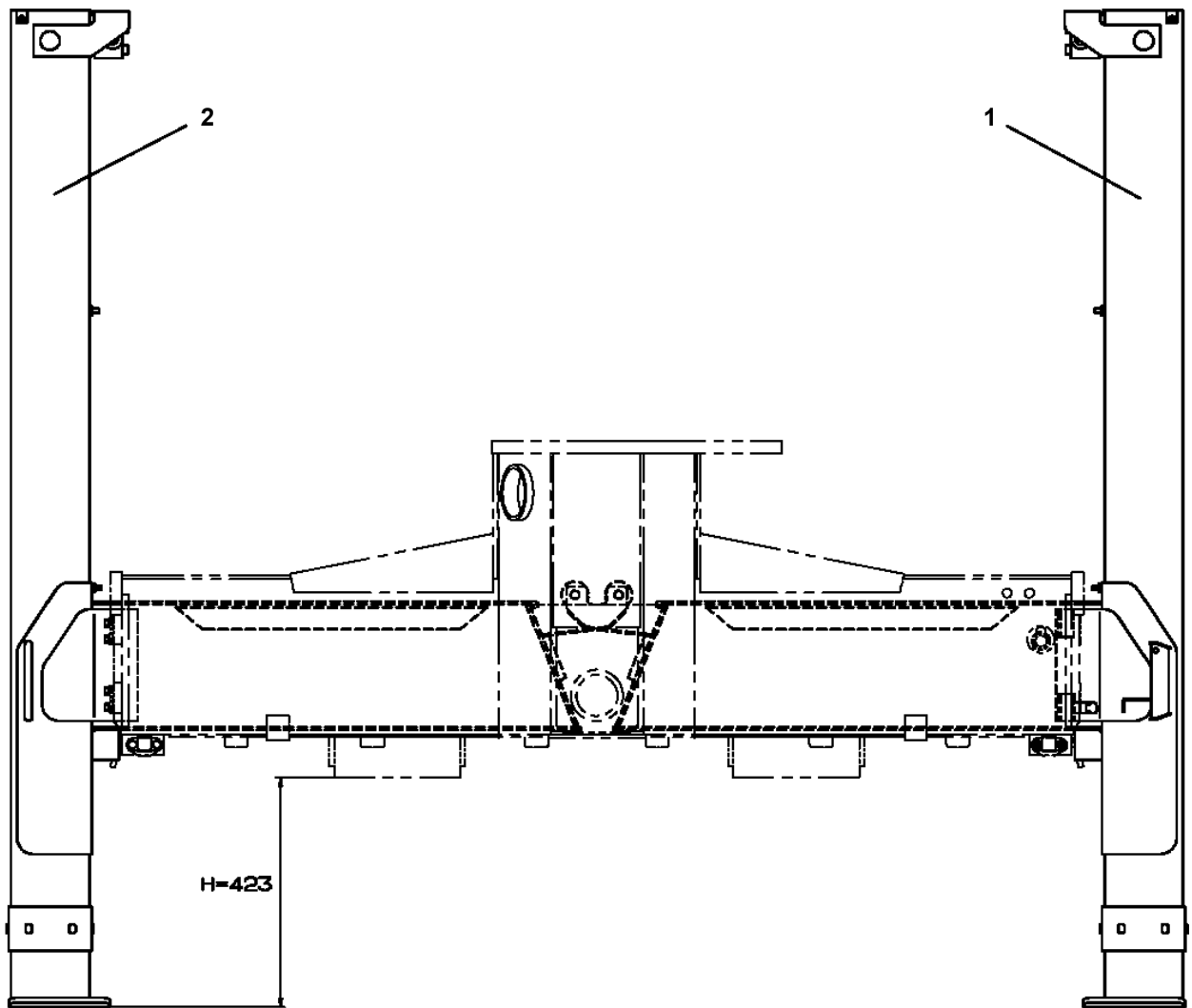
**TM-ZF300 31013010120A FRAME/SL,REMOTE-RADIO CONT.  
PB1410549-03 PIPING,HYDRAULIC LOWER**



TM-ZF300 31013010120A FRAME/SL,REMOTE-RADIO CONT.  
PC1010329-00 OUTRIGGER (REAR)



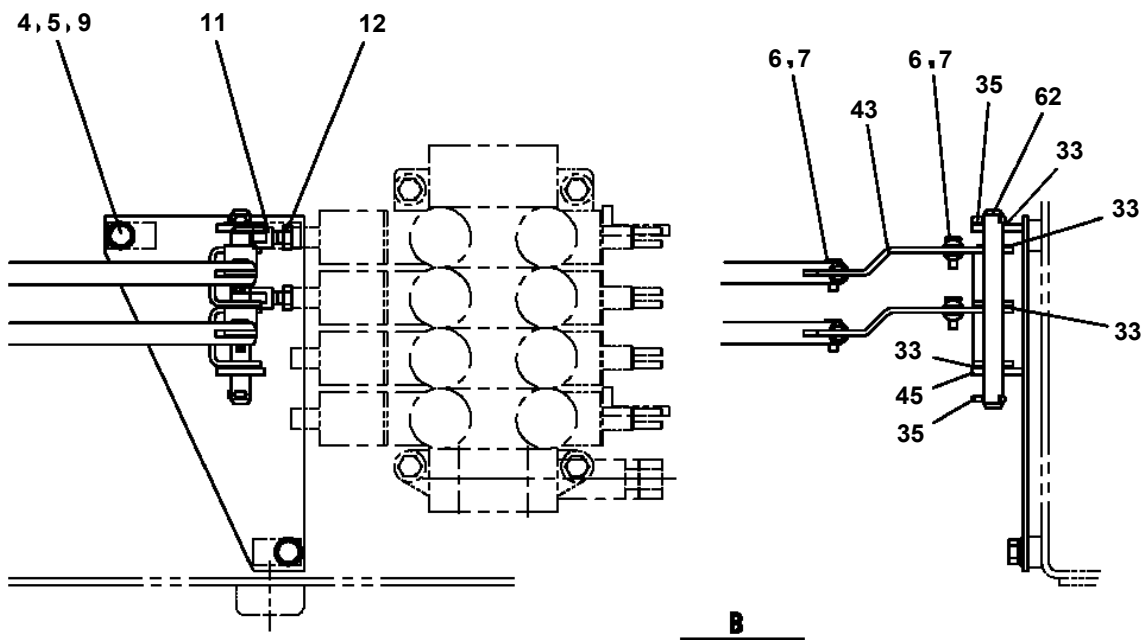
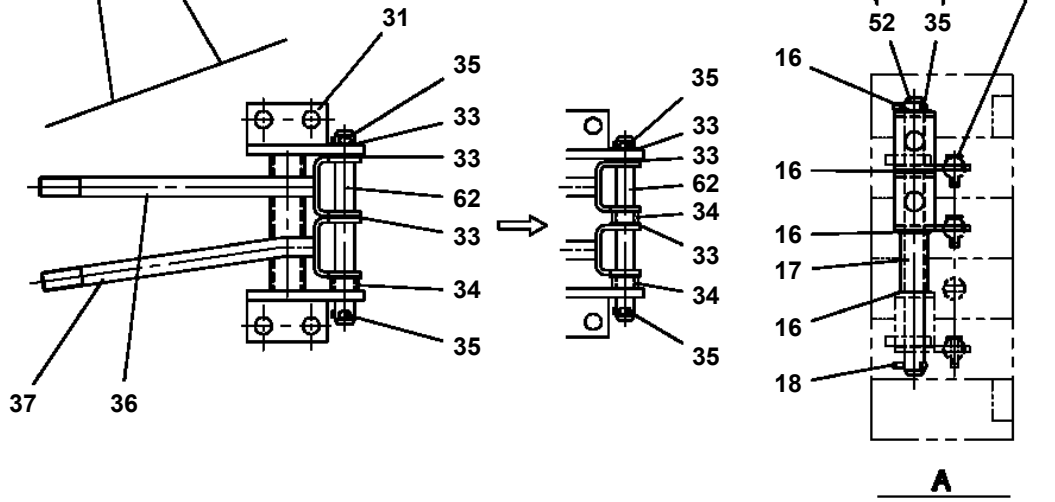
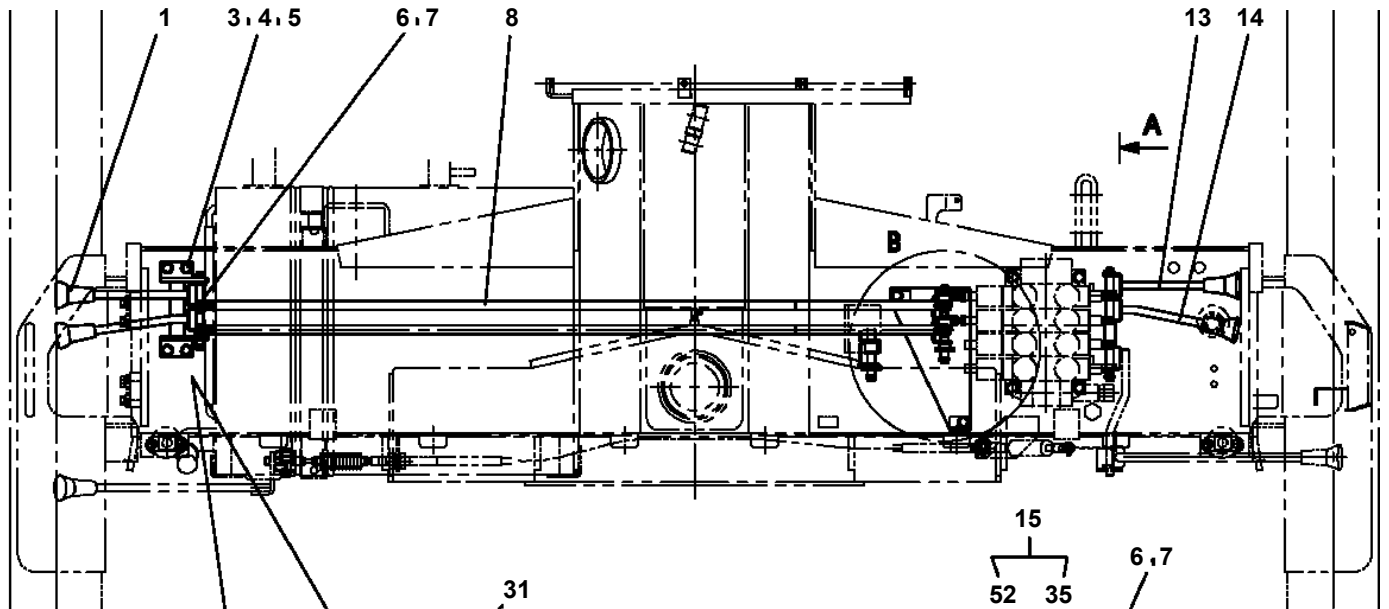
TM-ZF300 31013010120A FRAME/SL,REMOTE-RADIO CONT.  
PC1011101-00 OUTRIGGER



TM-ZF300 31013010120A FRAME/SL,REMOTE-RADIO CONT.  
 PC1020027-00 OUTRIGGER,REAR (MANUAL)

3	オペ . ASSY , アウトリカ OPE . ASSY , OUTRIGGER
5	プレート ASSY , ネーム PLATE ASSY , NAME
11	アウトリカ OUTRIGGER
12	シリンダ , シ ャツキ CYLINDER , JACK
13	パイピング , リヤ シ ャツキ PIPING , REAR JACK
21	パイピング , アウトリカ PIPING , OUTRIGGER
22	バルブ , マニュアル コントロール VALVE , MANUAL CONTROL

**TM-ZF300 31013010120A FRAME/SL,REMOTE-RADIO CONT.  
PC1100139-02 OPE.ASSY,OUTRIGGER (REAR)**



# TM-ZF300 31013010120A FRAME/SL,REMOTE-RADIO CONT.

Pos No.	Parts No	Parts Name	Qty	Unit	Technical Data	Serial No (Start)	Serial No (End)	Remarks	Pages
1	37002417360	HOSE	2		L=1800				
2	37002436720	HOSE	2		L=1850				
3	80320310020	FITTING,ELBOW	4				EB3633		
	37000924770	FITTING,ELBOW	4			EB3634			
4	82100002039	CLAMP	4						
5	90101208016	BOLT	2		M8X16				
6	90302040801	WASHER,SPRING	2		8				
7	91810130240	FASTENER	2						
8	90302040601	WASHER,SPRING	2		6				
9	80182206010	SCREW,MACHINE	2						
10	90201200600	NUT	2		M6				

# TM-ZF300 31013010120A FRAME/SL,REMOTE-RADIO CONT.

Pos No.	Parts No	Parts Name	Qty	Unit	Technical Data	Serial No (Start)	Serial No (End)
1	90171110045	BOLT	2		M10X45		EJ3159
	90171110040	BOLT	2		M10X40	EJ3160	
2	90302041001	WASHER,SPRING	2		10		
3	36604060000	VALVE,COUNTERBALANCE (ELEVATING)	1				
4	36023760000	CYLINDER,ELEVATING	1				
5	82400000459	CAP	2				
11	37000402780	BEARING,PLAIN (NDC)	4				
12	36023765300	PISTON	1				
13	91350213500	BEARING,PLAIN (WITH PACKINGX2)	1				
14	91002908500	O-RING	1		1B G85		
15	82456101000	NIPPLE,GREASE	2		A-PT1/8		
18	91301109000	BEARING,PLAIN	1				
19	91002913000	O-RING	1		1B G130		
20	36023765400	COVER,ROD	1				
21	91694009000	PACKING	1				
22	91410209000	RING,BACKUP	1				
23	91660009000	SEAL,DUST	1				
24	80622000900	RING,RITAINING	1		SP90		
31	36023765010	CYLINDER ASSY	1				
32	36023765020	ROD ASSY	1				
40	36023769910	PACKING SET	1		90X135		

# TM-ZF300 31013010120A FRAME/SL,REMOTE-RADIO CONT.

Pos No.	Parts No	Parts Name	Qty	Unit	Technical Data	Serial No (Start)	Serial No (End)	Remark
2	36071315020	CASE (CLUTCH)	1					
3	36071195030	GEAR,SPUR	1					
4	36071315030	GEAR,SPUR	1					
5	36071315040	GEAR,SPUR	1					
6	36071315050	BRAKE,DISK	1					
7	36071315060	WHEEL,RATCHET	1					
8	36071195080	LINK (RATCHET CONTROL)	1					
9	36071315070	DISK ASSY	2					
10	36071195100	RATCHET	1					
11	36071315080	SHAFT	1					
12	36071315090	SPRING	1					
13	36071195130	CAP	1					
14	36071195140	PIN	1					
15	36071315100	NUT	1					
16	36071195160	SPACER	1					
17	36071315110	SHAFT	1					
18	36071315120	GEAR,CLUTCH	1					
19	36072285010	CYLINDER	1					
20	36072285020	PISTON	1					
21	36071315150	STOPPER	1					
22	36071315160	JOINT, KNUCKLE	1					
23	36071315170	ARM (CLUTCH)	1					
24	36071315180	PIN (HINGE)	1					
25	36071315190	SHAFT	1					
26	36071315200	PIN (SLIDE)	1					
27	36071135150	PIN (LOCK)	1					
28	36071135160	SPRING	1					
29	36071315210	CAP	1					
30	36071315220	WASHER	1					
31	36071315230	GEAR,CLUTCH	1					
32	36071315240	SHIFTER (1)	1					
33	36071315250	SHIFTER (2)	1					
34	36071315261	HOUSING (INDICATOR)	1					
35	36071315270	NUT	1					
36	36071315280	PIN	1					
37	36071315290	SPRING	1					
38	36071315300	COVER	1					
39	36071315310	PACKING (SEAT)	1					
40	36071315320	SPACER (2)	1					
41	80500006007	BEARING,BALL	2					
42	80500006211	BEARING,BALL	1					
43	80500006212	BEARING,BALL	1					
44	91206058002	SEAL,OIL	1					
45	36071315330	SEAL,OIL	1					
46	80602110620	RING,RITAINING	1		R62			
47	80601110350	RING,RITAINING	1		S35			
48	80601110340	RING,RITAINING	1		S34			
49	80601110100	RING,RITAINING	1		S10			
50	36071315340	BEARING,PLAIN	1					
51	36071315350	BEARING,PLAIN	1					
52	91001101500	O-RING	1		1A P15			
53	91001101400	O-RING	2		1A P14			
54	91001100800	O-RING	1		1A P8			
55	91001101800	O-RING	1		1A P18			
56	91001101400	O-RING	1		1A P14			
57	91001102201	O-RING	1		1A P22A			
58	36071195200	O-RING	1					
59	36071315360	KEY	2					
60	36071315370	PIN,TAPER	2					
61	36071315380	PIN,TAPER	2					
62	36071195190	GAUGE,OIL	1					
63	90131508018	BOLT,HEXAGON SOCKET	7		M8X18			
64	90302040801	WASHER,SPRING	7		8			

# TM-ZF300 31013010120A FRAME/SL,REMOTE-RADIO CONT.

Pos No.	Parts No	Parts Name	Qty	Unit	Technical Data	Serial No (Start)	Serial No (End)	Rem
11	36070405010	FRAME ASSY	1					
12	80601110600	RING,RITAINING	1		S60			
13	80516006212	BEARING,BALL	1					
14	36070405020	SPACER	1					
15	36070405030	DRUM	1					
16	36070405040	ROLLER ASSY	1					
17	36070405050	SPRING	2					
18	80601110150	RING,RITAINING	2		15			
19	90303101401	WASHER,PLAIN	2		14			
20	36070405060	PIN	1					
21	36070405070	CLUTCH	1					
22	36070405080	KEY	2					
23	36070405090	SHIFTER ASSY	1					
24	36070405100	COVER	1					
25	36070405110	GEAR,SPUR	1					
26	36070405120	KEY	2					
27	90102208012	BOLT	3		M8X12			
28	90302040801	WASHER,SPRING	3		8			
29	36070405130	RETAINER	1					
30	90102510020	BOLT	4		M10X20			
31	90302041001	WASHER,SPRING	3		10			
32	36070405140	HOOK	1					
33	36070405320	BEARING,BALL <6214ZZNR	1					
34	80601110700	RING,RITAINING	1		S70			
35	36070405150	DRUM,SHAFT	1					
36	90131714045	BOLT,HEXAGON SOCKET	4		M14X45			
37	90302041401	WASHER,SPRING	4		14			
38	82456101000	NIPPLE,GREASE	2		A-PT1/8			
40	80601110200	RING,RITAINING	1		S20			
41	36070405170	PIN	1					
42	90102212035	BOLT	1		M12X35			
43	90201201000	NUT	1		M10			
44	90302041201	WASHER,SPRING	1		12			
45	90201201200	NUT	2		M12			
46	80560010000	BALL,STEEL	1		10			
47	36070405180	SPRING	1					
48	36070405190	BOLT,STUD	1		M12X50			
50	90131706010	BOLT,HEXAGON SOCKET	4		M6X10			
51	36070405200	GUIDE	1					
52	90102210014	BOLT	2		M10X14			
93	80516006201	BEARING,BALL	2					
100	36070400000	WINCH (SL 4TONX1)	1					

**TM-ZF300 31013010120A FRAME/SL,REMOTE-RADIO CONT.**

Pos No.	Parts No	Parts Name	Qty	Unit	Technical Data	Serial No (Start)	Serial No (End)
1	(*****)	WINCH (SELF)	1				
2	(*****)	HOOK (4TON SELF WINCH,OPTION)	1				
3	(*****)	OPE.ASSY,CONT.VALVE	1				
4	(*****)	PIPING,WINCH (SELF WINCH 4TON)	1				
6	31470511000	STOPPER,TIRE	2				
7	(*****)	PLATE,INDICATION	1				

# TM-ZF300 31013010120A FRAME/SL,REMOTE-RADIO CONT.

Pos No.	Parts No	Parts Name	Qty	Unit	Technical Data	Serial No (Start)	Serial No (End)	Remarks	Pages
1	53037260010	STOPPER ASSY	1						
10	53037260000	HOOK	1						

# TM-ZF300 31013010120A FRAME/SL,REMOTE-RADIO CONT.

Pos No.	Parts No	Parts Name	Qty	Unit	Technical Data	Serial No (Start)	Serial No (End)	Remarks
1	36090230000	HOOK (1-PART LINE ,OPTION)	1					
2	(*****)	PLATE,INDICATION	1					

## TM-ZF300 31013010120A FRAME/SL,REMOTE-RADIO CONT.

Pos No.	Parts No	Parts Name	Qty	Unit	Technical Data	Serial No (Start)	Serial No (End)	Remark
4	37000907680	JOINT	2		S,G3/8-R1/4			
5	37002426570	HOSE	2		L=750			
6	80471020503	JOINT	1		45,G3/8-G3/8			
7	91002801400	O-RING	3		1B P14			
8	37000920990	JOINT	1					
9	80481103030	JOINT	1		L,G3/8-G3/8			
10	91810130270	FASTENER	2					
21	80302120140	FITTING	2		POA12PF1/2			
22	91002801800	O-RING	2		1B P18			
23	31642910120	PIPE	1					
24	80302120120	FITTING	2		POA12PF3/8			
25	91002801400	O-RING	2		1B P14			
33	31642910220	PIPE	1					
41	36604190010	JOINT	1					
42	36602100000	VALVE,COUNTERBALANCE	1					
43	90302040801	WASHER,SPRING	3		8			
44	90172108060	BOLT,HEXAGON SOCKET	3		M8X60			
45	36604190020	SUPPORT	1					

**TM-ZF300 31013010120A FRAME/SL,REMOTE-RADIO CONT.**

Pos No.	Parts No	Parts Name	Qty	Unit	Technical Data	Serial No (Start)	Serial No (End)	Remarks	Pages
100	31651760200	HARNESS	1						
	31651760200	HARNESS	1						

## TM-ZF300 31013010120A FRAME/SL,REMOTE-RADIO CONT.

Pos No.	Parts No	Parts Name	Qty	Unit	Technical Data	Serial No (Start)	Serial No (End)	Remarks
1	36662295010	SEAL,DUST	1					
4	91000504100	O-RING	1					
5	36662295020	SEAL,OIL	1					
7	36660375070	KEY	1		7X7X31.5			
9	36662295030	SEAL,SHAFT	1					
13	91000501100	O-RING	3					
16	91000503800	O-RING	1					
19	36660645130	SEAL	1					
20	36660645140	SEAL	1					
25	91001101100	O-RING	1		1A P11			
28	91000590300	O-RING	2					
44	91000504100	O-RING	2					
50	36660645160	SEAL KIT (FOR MOTOR)	1					
100	36662290000	MOTOR,HYDRAULIC	1					

**TM-ZF300 31013010120A FRAME/SL,REMOTE-RADIO CONT.**

Pos No.	Parts No	Parts Name	Qty	Unit	Technical Data	Serial No (Start)	Serial No (End)	Remarks	Pa
5	50815054503	PACKING	2						
	50815054503	PACKING	2						
6	50815054603	SPRING	2						
	50815054603	SPRING	2						
7	91002801800	O-RING	2		1B P18				
	91002801800	O-RING	2		1B P18				
10	91002801200	O-RING	2		1B P12				
	91002801200	O-RING	2		1B P12				
20	36623830000	VALVE,PILOT CHECK	1						
	36623830000	VALVE,PILOT CHECK	1						

CLICK HERE TO **DOWNLOAD** THE COMPLETE MANUAL

- Thank you very much for reading the preview of the manual.
- You can download the complete manual from: [www.heydownloads.com](http://www.heydownloads.com) by clicking the link below



- Please note: If there is no response to CLICKING the link, please download this PDF first and then click on it.

CLICK HERE TO **DOWNLOAD** THE COMPLETE MANUAL

# TM-ZF300 31013010120A FRAME/SL,REMOTE-RADIO CONT.

Pos No.	Parts No	Parts Name	Qty	Unit	Technical Data	Serial No (Start)	Serial No (End)
1	36682740000	METER,LOAD (3.0TON NAGANO/FRENCH)	1				

# TM-ZF300 31013010120A FRAME/SL,REMOTE-RADIO CONT.

Pos No.	Parts No	Parts Name	Qty	Unit	Technical Data	Serial No (Start)	S
1	36682150000	METER,LOAD (2.9TON KUSABA/ENG.& JAPANESE)	1				

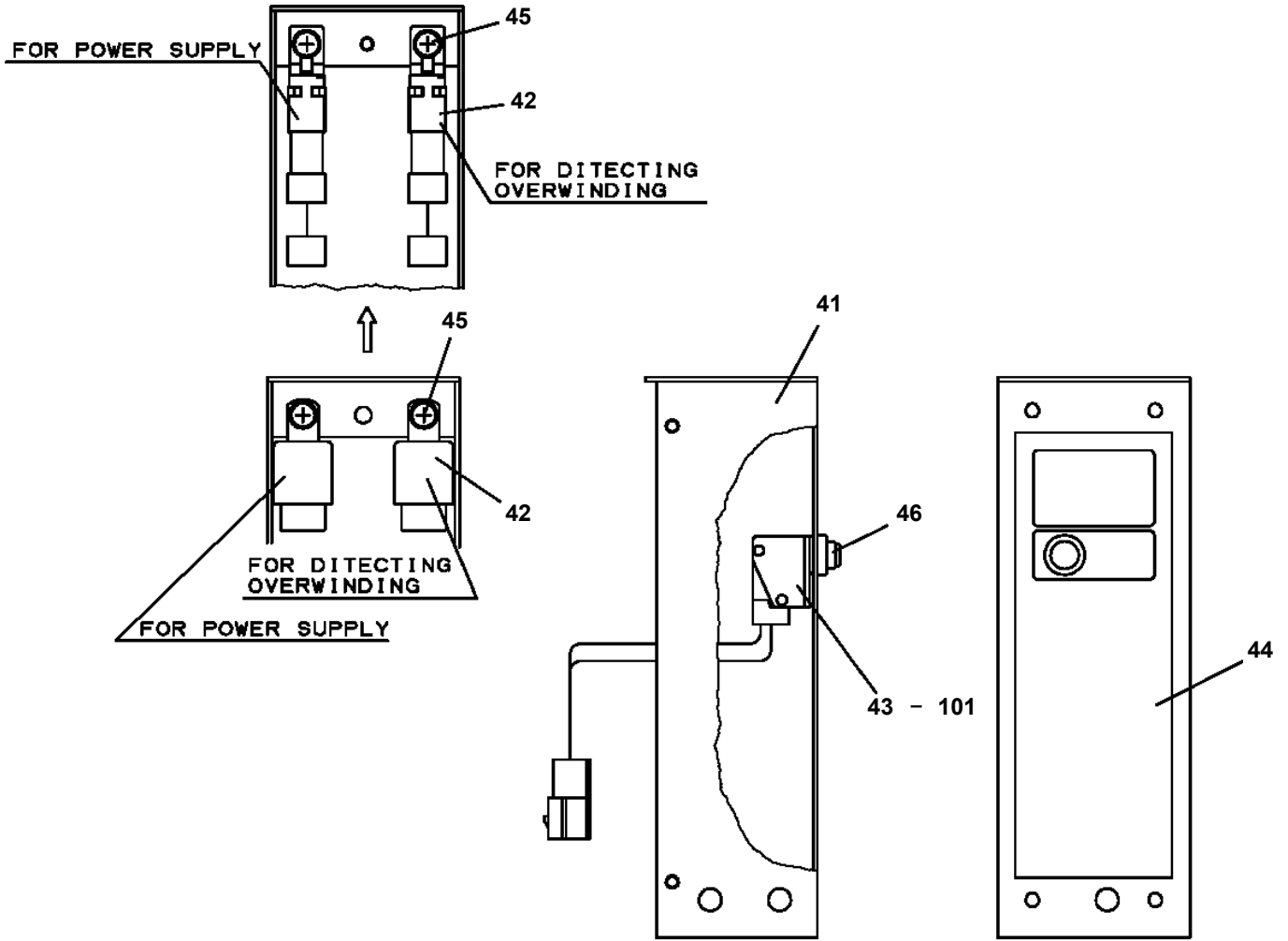
# TM-ZF300 31013010120A FRAME/SL,REMOTE-RADIO CONT.

Pos No.	Parts No	Parts Name	Qty	Unit	Technical Data	Serial No (Start)	Serial No (End)	Remarks	Pages
1	31322050500	KNOB (BLACK)	2						
2	31322110100	LEVER	1						
3	37000147840	PIN	3						
4	80620210050	PIN,SNAP	3						
5	31701060900	END	2						
6	37001706200	CABLE,CONTROL	1						
7	31322110200	LEVER	1						
8	90101208016	BOLT	2		M8X16				
9	90302040801	WASHER,SPRING	4		8				
10	90303070801	WASHER,PLAIN	2		8				
11	31322110300	SUPPORT	1						
12	37000537270	PLATE	2						
13	31322110400	LINK	1						
14	80136340020	PIN,SPLIT	2		4X20				
15	37000119080	PIN ASSY	1						
16	90190000061	BOLT	2		M8X18				
17	90201200800	NUT	2		M8				
18	90303071201	WASHER,PLAIN	1		12				
31	80136340020	PIN,SPLIT	1		4X20				
32	37000119090	PIN	1						

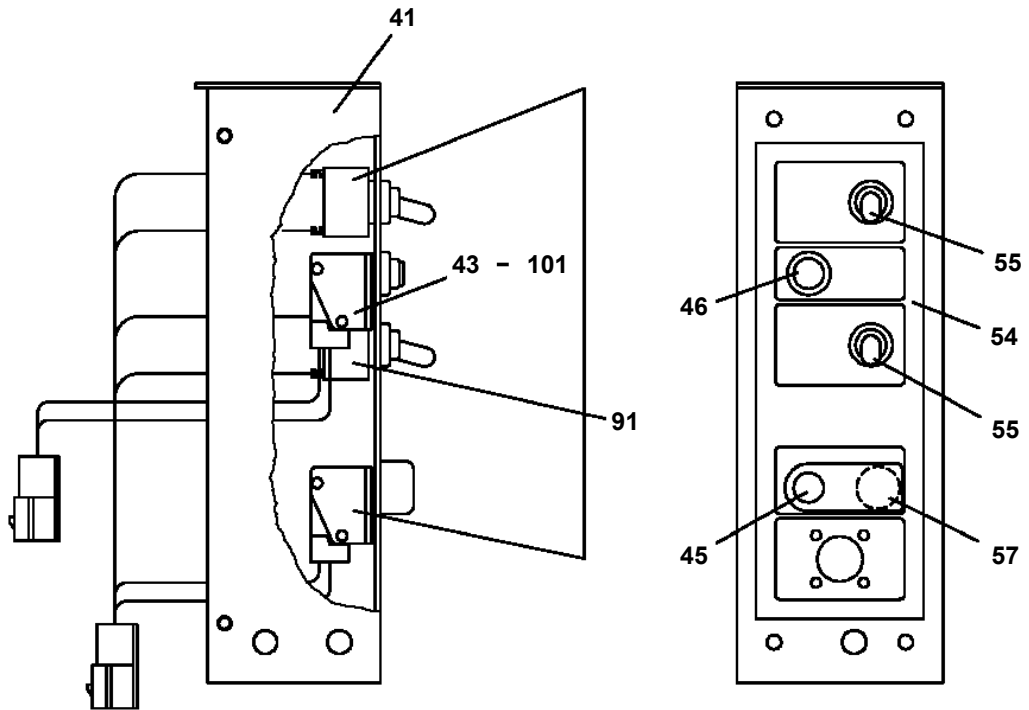
# TM-ZF300 31013010120A FRAME/SL,REMOTE-RADIO CONT.

Pos No.	Parts No	Parts Name	Qty	Unit	Technical Data	Serial No (Start)	Serial No (End)	Remarks
1	80136340020	PIN,SPLIT	1		4X20			
2	90303071001	WASHER,PLAIN	1		10			
3	31330930101	ROD	1				EB5956	
4	90203200800	NUT	1		M8		EB1268	
5	31330910600	END	1				EB5956	
6	90101208016	BOLT	4		M8X16			
7	90302040801	WASHER,SPRING	4		8			
8	31330911001	LINK ASSY	1				EB5028	
9	80620210050	PIN,SNAP	1					
10	90303070501	WASHER,PLAIN	1		5			
12	31330912000	PLATE,CAUTION	1					
13	90203200800	NUT	1		M8	EB1331	EB5956	
14	31330951000	LINK ASSY (ACCELERATOR)	1			EB5029		
15	31330930200	ROD ASSY	1			EB5957		
31	90101210016	BOLT	1		M10X16		EB5028	
32	90302041001	WASHER,SPRING	1		10			
33	31330861400	SUPPORT	1					
34	31330911100	SUPPORT	1				EB5028	
35	37001300150	SPRING	1					
36	31330911301	LINK	1				EB5028	
37	37000401920	BEARING,PLAIN	2					
38	90303071001	WASHER,PLAIN	1		10			
39	80136340020	PIN,SPLIT	1		4X20			
40	31330911600	PLATE	1					
41	31330911201	LINK	1					
42	31330911701	SUPPORT	1					
51	90101210020	BOLT	1		M10X20	EB5029		
54	31330951100	SUPPORT	1			EB5029		
56	31331051300	LINK	1			EB5029		
63	90710708300	SCREW,SET	1		M8	EB5029		
64	90201200800	NUT	1		M8	EB5029		
65	31330931600	SPRING	1			EJ5140		

**TM-ZF300 31013010120A FRAME/SL,REMOTE-RADIO CONT.  
PN1011414-03 ELEC.ASSY (RADIO CONTROL)**



**I**

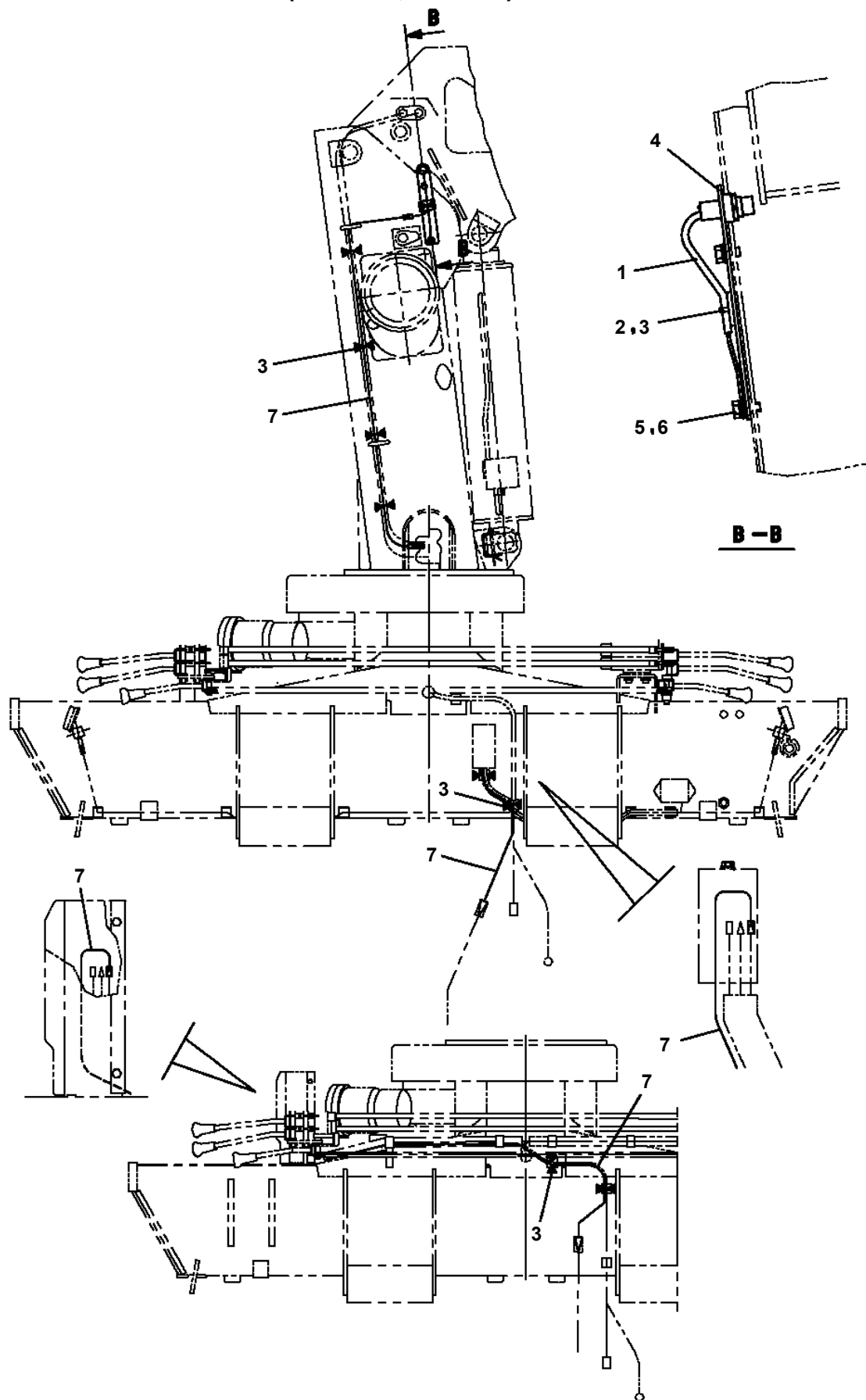


**H**

**TM-ZF300 31013010120A FRAME/SL,REMOTE-RADIO CONT.**

Pos No.	Parts No	Parts Name	Qty	Unit	Technical Data	Serial No (Start)	Serial No (End)	Remarks	Pages
1	82199100026	LAMP	1		24V 60W				
2	31473462100	SUPPORT	1						
3	90101208016	BOLT	2		M8X16				
4	31473462500	HARNES	1						
5	82401601002	CLAMP	2						
6	91810130240	FASTENER	3						
26	82100000054	BULB,LAMP	1		24V 60W				

**TM-ZF300 31013010120A FRAME/SL,REMOTE-RADIO CONT.  
PN1011427-00 ELEC.ASSY (ALARM,UPPER)**



**操作パネルがある場合 (フックイン、及びラシコン仕様)  
WITH OPERATION PANEL (HOOK-IN, RADIO CONTROL)**



**TM-ZF300 31013010120A FRAME/SL,REMOTE-RADIO CONT.  
PN1080214-00 LAMP (MOUNT,POST/24V-60W)**

1	ハイセンASSY ELEC.ASSY (LOWER)
2	ハイセンASSY ELEC.ASSY (UPPER)

**TM-ZF300 31013010120A FRAME/SL,REMOTE-RADIO CONT.**

Pos No.	Parts No	Parts Name	Qty	Unit	Technical Data	Serial No (Start)	Serial No (End)	Rema
1	37002213800	PLATE,NAME (WINCH)	1					
2	37002213810	PLATE,NAME (TELESCOPING)	1					
3	12437013001	PLATE,NAME	1					
4	37002213820	PLATE,NAME	1					
5	37002206490	PLATE,NAME (GREASE)	3					
6	37002213060	PLATE,NAME (WINCH)	1					
7	31394520100	PLATE,CAUTION	1					

# TM-ZF300 31013010120A FRAME/SL,REMOTE-RADIO CONT.

Pos No.	Parts No	Parts Name	Qty	Unit	Technical Data	Serial No (Start)	Serial No (End)	Remarks	Pages
1	31651760800	PLATE,CAUTION	1						

# TM-ZF300 31013010120A FRAME/SL,REMOTE-RADIO CONT.

Pos No.	Parts No	Parts Name	Qty	Unit	Technical Data	Serial No (Start)	Serial No (End)	Remarks	Pages
1	31394352100	PLATE,NAME	1						
2	31394352200	PLATE,NAME	1						
3	31394352301	PLATE,NAME	2						
4	31394352401	PLATE,NAME	1						
5	37002213700	PLATE,NAME	1						

# TM-ZF300 31013010120A FRAME/SL,REMOTE-RADIO CONT.

Pos No.	Parts No	Parts Name	Qty	Unit	Technical Data	Serial No (Start)	Serial No (End)	Remarks	Pages
1	31394481101	PLATE,NAME	1						
2	31394481201	PLATE,NAME	1						
3	31394481302	PLATE,NAME	2						
4	31394481402	PLATE,NAME	1						
5	37002213720	PLATE,NAME	1						

# TM-ZF300 31013010120A FRAME/SL,REMOTE-RADIO CONT.

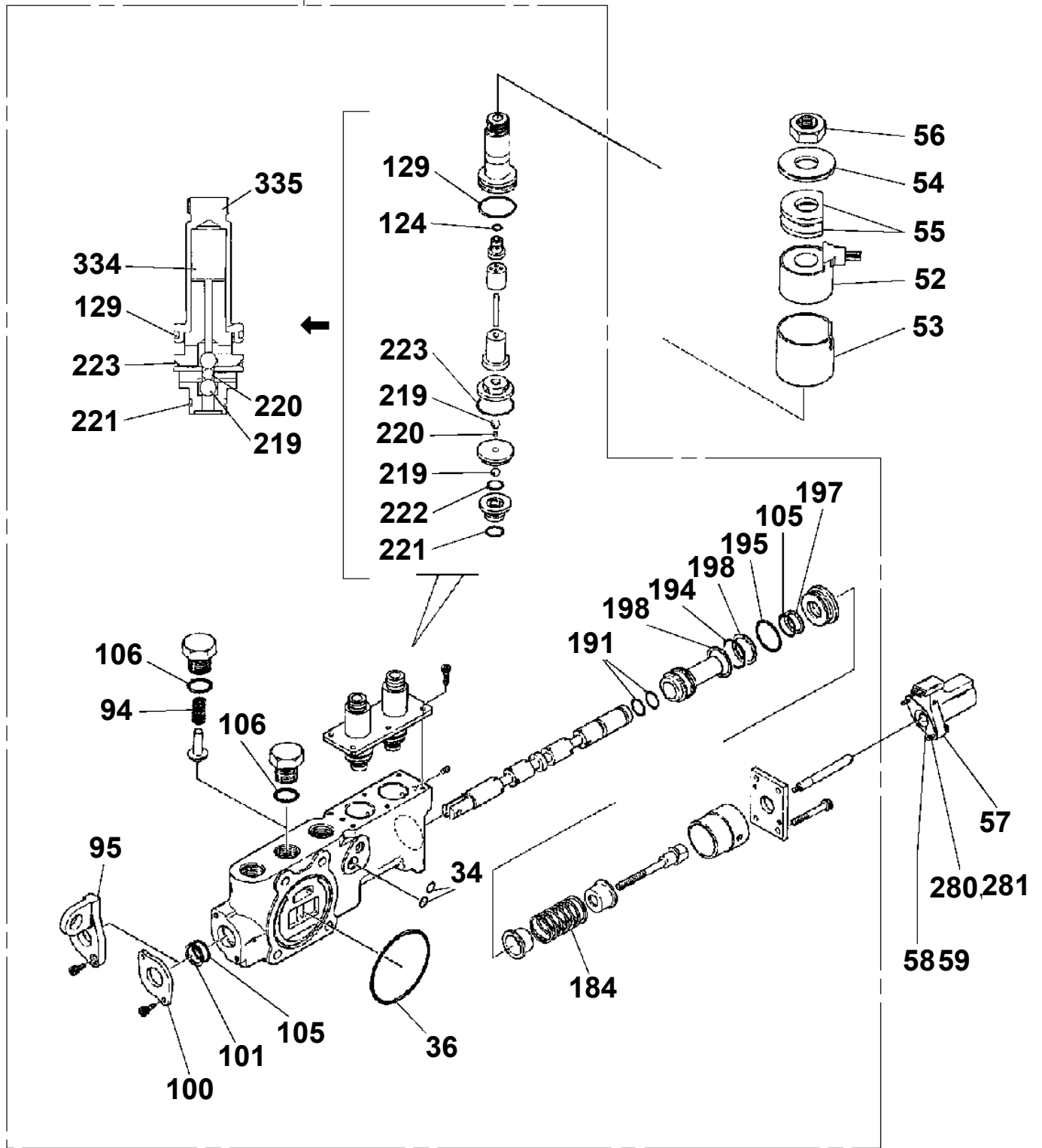
Pos No.	Parts No	Parts Name	Qty	Unit	Technical Data	Serial No (Start)	Serial No (End)	Remarks	Pages
1	31394373100	PLATE,NAME	1						
2	31394373200	PLATE,NAME	1						
3	31394373301	PLATE,NAME	2						
4	31394373401	PLATE,NAME	1						
5	37002213730	PLATE,NAME	1						

**TM-ZF300 31013010120A FRAME/SL,REMOTE-RADIO CONT.**

Pos No.	Parts No	Parts Name	Qty	Unit	Technical Data	Serial No (Start)	Serial No (End)
1	82101429241	SWITCH,PUSH (GREEN)	2				
10	31651761400	SWITCH ASSY (GREEN:PANASONIC)	1				

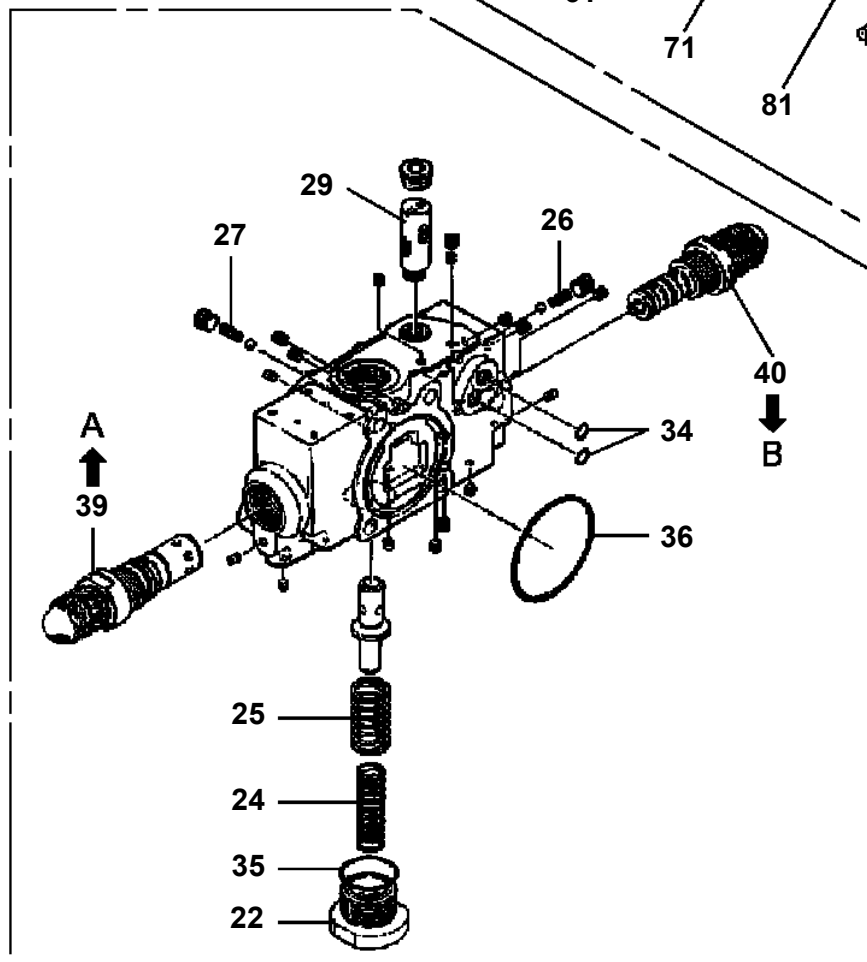
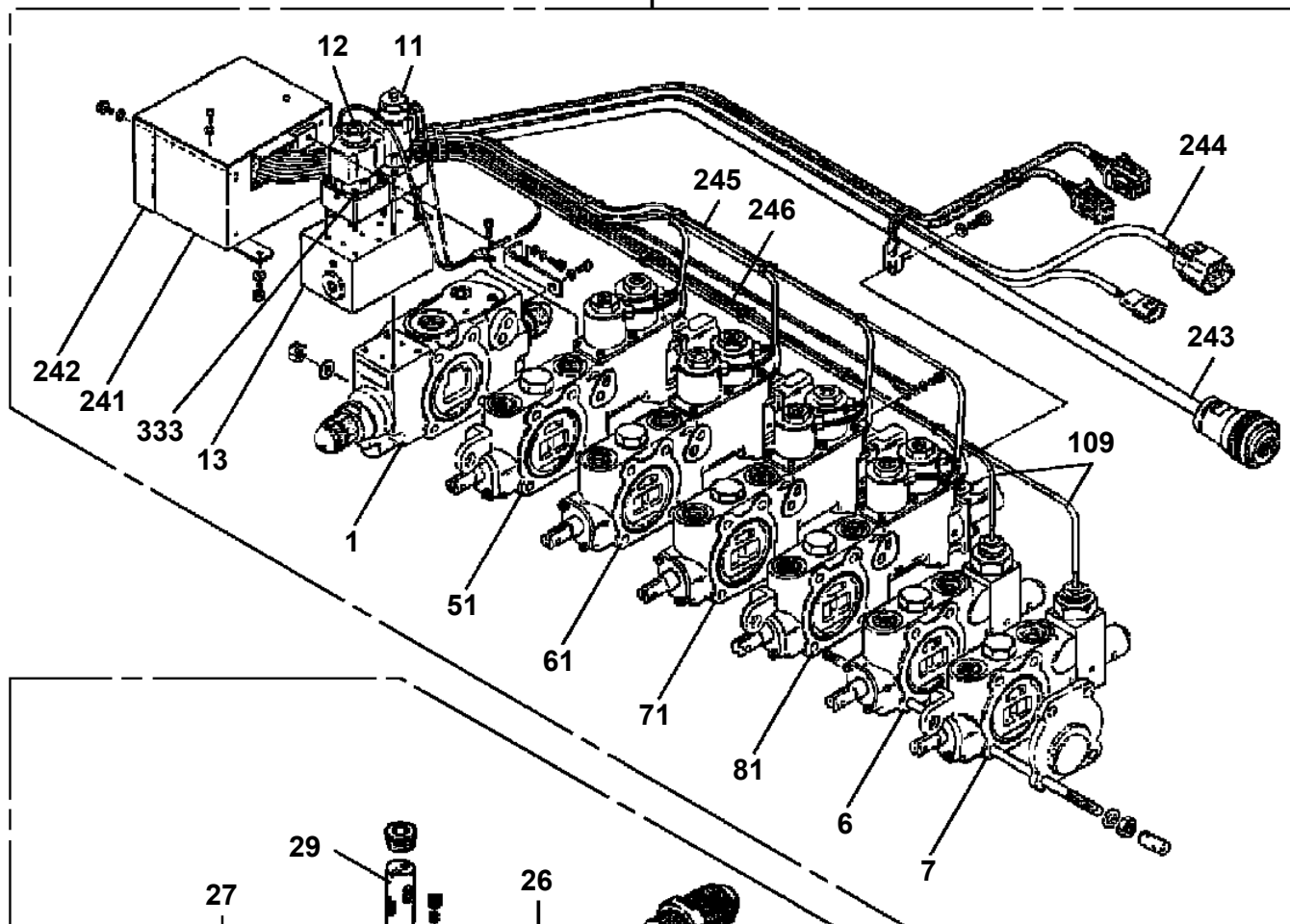
TM-ZF300 31013010120A FRAME/SL,REMOTE-RADIO CONT.  
PV1020027-05 VALVE,REMOTE CONTROL(NACHI)

51,61,71,81



TM-ZF300 31013010120A FRAME/SL,REMOTE-RADIO CONT.  
 PV1020097-06 VALVE,REMOTE CONTROL (HOOK-IN,NACHI)

400



展開図有

ILLUSTRATED BREAKDOWN NO.6,7,11,12,13,39,40,51,61,71,81,A,B

# TM-ZF300 31013010120A FRAME/SL,REMOTE-RADIO CONT.

Pos No.	Parts No	Parts Name	Qty	Unit	Technical Data	Serial No (Start)	Serial M
221	91001000900	O-RING	2		S9	EB7743	EJ2664
	91001000900	O-RING	3		S9	EB7743	
	91001000900	O-RING	4		S9	EJ2665	
222	91001000700	O-RING	6		S7		EB7742
	91001000700	O-RING	2		S7		EJ2664
	91001000700	O-RING	4		S7	EB7743	EJ2664
223	91001001800	O-RING	4		S18		
	91001001800	O-RING	4		S18		EB7742
	91001001800	O-RING	2		S18	EB7743	
	91001001800	O-RING	2		S18	EB7743	EJ2664
	91001001800	O-RING	1		S18	EJ2665	
241	36642415450	BOX	1				
242	36642415360	COVER (BOX)	1				
243	36645155190	CABLE (METAL CONNECTOR)	1				
244	36645155200	BOX ASSY (B6HS,FUSE & RELAY)	1				
245	36645155210	COIL ASSY (C6HS)	1				
246	36645155220	COIL ASSY (LVDT/D6HS)	1				
263	91001003500	O-RING	1		S35		
274	82171101000	FUSE (10A.F-7142 5.2X20>	1				
275	82171100300	FUSE (3A.F-7142 5.2X20>	1				
282	36643725300	COIL,SOLENOID (WITH CONNECTOR)	1				
294	36644795040	SPRING	1				EB0099
	36644795041	SPRING	1			EB0100	
299	91002801001	O-RING	1		1B P10A		
	91002801001	O-RING	1		1B P10A	EB7743	
310	36062605020	BOLT,HEXAGON SOCKET(WITH WASHER)	4		M4X15		EB7742
	36062605020	BOLT,HEXAGON SOCKET(WITH WASHER)	4		M4X15		
	36062605020	BOLT,HEXAGON SOCKET(WITH WASHER)	2		M4X15	EB7743	EJ2664
	36062605020	BOLT,HEXAGON SOCKET(WITH WASHER)	2		M4X15	EB7743	
	36062605020	BOLT,HEXAGON SOCKET(WITH WASHER)	2		M4X15	EJ2665	
311	36062605030	WASHER	4				EB7742
	36062605030	WASHER	4				
	36062605030	WASHER	2			EB7743	
	36062605030	WASHER	2			EB7743	EJ2664
	36062605030	WASHER	2			EJ2665	
326	36647285390	SPRING	1			EB7743	
329	91002801000	O-RING	2		1B P10	EB7743	
332	36644795050	BOLT,HEXAGON SOCKET	4		M4X75		
333	36646285130	BOLT,HEXAGON SOCKET	4		M4X25		
344	36643725310	PLUNGER	2			EB7743	
	36643725310	PLUNGER	4			EJ2665	
345	36643725320	GUIDE (SOLENOID)	2			EB7743	
	36643725320	GUIDE (SOLENOID)	4			EJ2665	
400	36644790000	VALVE,REMOTE CONTROL (HOOK-IN,NACHI)	1				

**TM-ZF300 31013010120A FRAME/SL,REMOTE-RADIO CONT.**

Pos No.	Parts No	Parts Name	Qty	Unit	Technical Data	Serial No (Start)	Serial No (E
1	36801995020	CASE KIT	1				
2	36800565070	CASE KIT (LOWER)	1				
3	36800555080	LABEL (SEAL)	1				
4	36800095041	BELT ASSY	1				
5	36800565100	COVER (BATTERY)	1				
6	36800095030	CASE (BATTERY)	1				
22	36800095060	CASE (RING)	1				
23	36801995040	ANTENNA (FLEXIBLE)	1				
24	36800565150	PLATE,NAME	1				
25	36800565130	RUBBER	1				
42	36800565080	CASE ASSY	1				
52	36800295110	GUARD	1				
53	36801995080	GRIP	1				
100	36801992000	SWITCH BOX (RADIO CONTROL,TYPE-D)	1				

**TM-ZF300 31013010120A FRAME/SL,REMOTE-RADIO CONT.**

Pos No.	Parts No	Parts Name	Qty	Unit	Technical Data	Serial No (Start)	Serial No (End)	Re
1	36800585011	CASE KIT (UPPER)	1					
2	36800585021	CASE KIT (LOWER)	1					
4	36800585031	PACKING	1					
5	36800585041	CABLE ASSY	1		10M			
21	36800095061	RING (CASE)	1					
32	36800565081	CASE ASSY (LEVER)	1					
42	36800295111	GUARD (HAND)	1					
46	36800585071	CAP (CONNECTOR,WITH CHAIN)	1					
100	36800582001	SWITCH BOX	1					

# TM-ZF300 31013010120A FRAME/SL,REMOTE-RADIO CONT.

Pos No.	Parts No	Parts Name	Qty	Unit	Technical Data	Serial No (Start)	Serial No (E
2	36800085010	GASKET	1				
4	36800565010	CONNECTOR ASSY (SPEAKER)	1				
6	36800565020	CONNECTOR ASSY	1				
11	36800565030	SPACER (RUBBER A)	1				
12	36800555080	LABEL (SEAL)	1				
17	36800555070	LABEL (SEAL)	1			EJ3919	
21	36800565040	PANEL ASSY (TIRMINAL)	1				
50	36800551000	CONTROL BOX (RADIO CONTROL.M2.A)	1				

**TM-ZF300 31013010120A FRAME/SL,REMOTE-RADIO CONT.**

Pos No.	Parts No	Parts Name	Qty	Unit	Technical Data	Serial No (Start)	Serial No (End)	Remark
1	36802435170	CONNECTOR	1					
2	36802435180	PANEL	1					
3	36802435190	GASKET	1					
10	36802435030	CONTROL UNIT (ANTENNA)	1					

**TM-ZF300 31013010120A FRAME/SL,REMOTE-RADIO CONT.**

Pos No.	Parts No	Parts Name	Qty	Unit	Technical Data	Serial No (Start)	Serial No (End)
2	36800085011	GASKET	1				
4	36800565011	CONNECTOR ASSY (SPEAKER)	1				
5	36800565141	CONNECTOR ASSY (WITH HARNESS)	1				
6	36800565021	CONNECTOR ASSY (WITH HARNESS)	1				
7	36804035011	BOARD ASSY	1				
9	36804015021	PANEL ASSY (TERMINAL)	1				
11	36804015031	SPACER (RUBBER)	1				
12	36800565031	SPACER (RUBBER A)	1				
19	36800175031	CAP	1				
20	36800296101	PACKING (CONNECTOR INNER PART)	1				
100	36804031001	CONTROL UNIT	1				

**TM-ZF300 31013010120A FRAME/SL,REMOTE-RADIO CONT.**

Pos No.	Parts No	Parts Name	Qty	Unit	Technical Data	Serial No (Start)	Serial N
2	(*****)	MOUNT,ANTENNA (FOR RADIO CONTROL)	1				
3	36800541000	STOWING BOX (BAG,RADIO CONTROL)	1				
11	36804041001	CONTROL UNIT	1				
	36800561000	CONTROL BOX (RADIO CONTROL.M2.B)	1				
12	36800562000	SWITCH BOX (RADIO CONTROL.M2.TYPE-B)	1				
	36800562001	SWITCH BOX	1				

## TM-ZF300 31013010120A FRAME/SL,REMOTE-RADIO CONT.

Pos No.	Parts No	Parts Name	Qty	Unit	Technical Data	Serial No (Start)	Serial No (End)
2	(*****)	MOUNT,ANTENNA (RADIO CONTROL,D.E-TYPE)	1				
3	36800541000	STOWING BOX (BAG,RADIO CONTROL)	1				
4	(*****)	ELEC.ASSY	1				
5	(*****)	PLATE ASSY,NAME (RADIO CONTROL)	1				
11	36804031001	CONTROL UNIT	1				
	36801991000	CONTROL BOX (RADIO CONTROL,D)	1				
	36804011001	CONTROL UNIT	1				
	36802011000	CONTROL BOX (RADIO CONTROL,TYPE-E)	1				
12	36802012000	SWITCH BOX (RADIO CONTROL,TYPE-E)	1				
	36802012001	SWITCH BOX	1				
	36801992000	SWITCH BOX (RADIO CONTROL,TYPE-D)	1				
	36801992001	SWITCH BOX (FUTABA)	1				

**TM-ZF300 31013010120A FRAME/SL,REMOTE-RADIO CONT.**

Pos No.	Parts No	Parts Name	Qty	Unit	Technical Data	Serial No (Start)	Serial No
1	36800335010	ELEMENT,ANTENNA (FLEXIBLE,TYPE A,B)	1				
10	36800150000	ANTENNA (15M.TRAVELLING TYPE A,B)	1				

# TM-ZF300 31013010120A FRAME/SL,REMOTE-RADIO CONT.

Pos No.	Parts No	Parts Name	Qty	Unit	Technical Data	Serial No (Start)	Serial No (End)	F
1	31651781000	SUPPORT	2					
2	31651782000	ANTENNA (SET)	1					
3	91810130240	FASTENER	10					
4	82100002034	CLAMP	10		WEC6			
5	90191208020	BOLT	5		M8X20			
6	90264200800	NUT	5		M8			
7	90302040801	WASHER,SPRING	5		8			
8	82401600506	CLAMP	5		D6.5			
9	82401600510	CLAMP	5		10			
21	36800610000	ANTENNA (FOR RADIO CONTROL)	1					
22	36800620000	ANTENNA (FOR RADIO CONTROL)	1					

CLICK HERE TO **DOWNLOAD** THE COMPLETE MANUAL

- Thank you very much for reading the preview of the manual.
- You can download the complete manual from: [www.heydownloads.com](http://www.heydownloads.com) by clicking the link below



- Please note: If there is no response to CLICKING the link, please download this PDF first and then click on it.

CLICK HERE TO **DOWNLOAD** THE COMPLETE MANUAL