

TM-ZE500 41050504065A FRAME/HOOK-IN,MANUAL VALVE

PB0000330-00 SYSTEM (ZE500,EXPORT)

ASSEMBLY

CLICK HERE TO **DOWNLOAD** THE COMPLETE MANUAL

- Thank you very much for reading the preview of the manual.
- You can download the complete manual from: www.heydownloads.com by clicking the link below



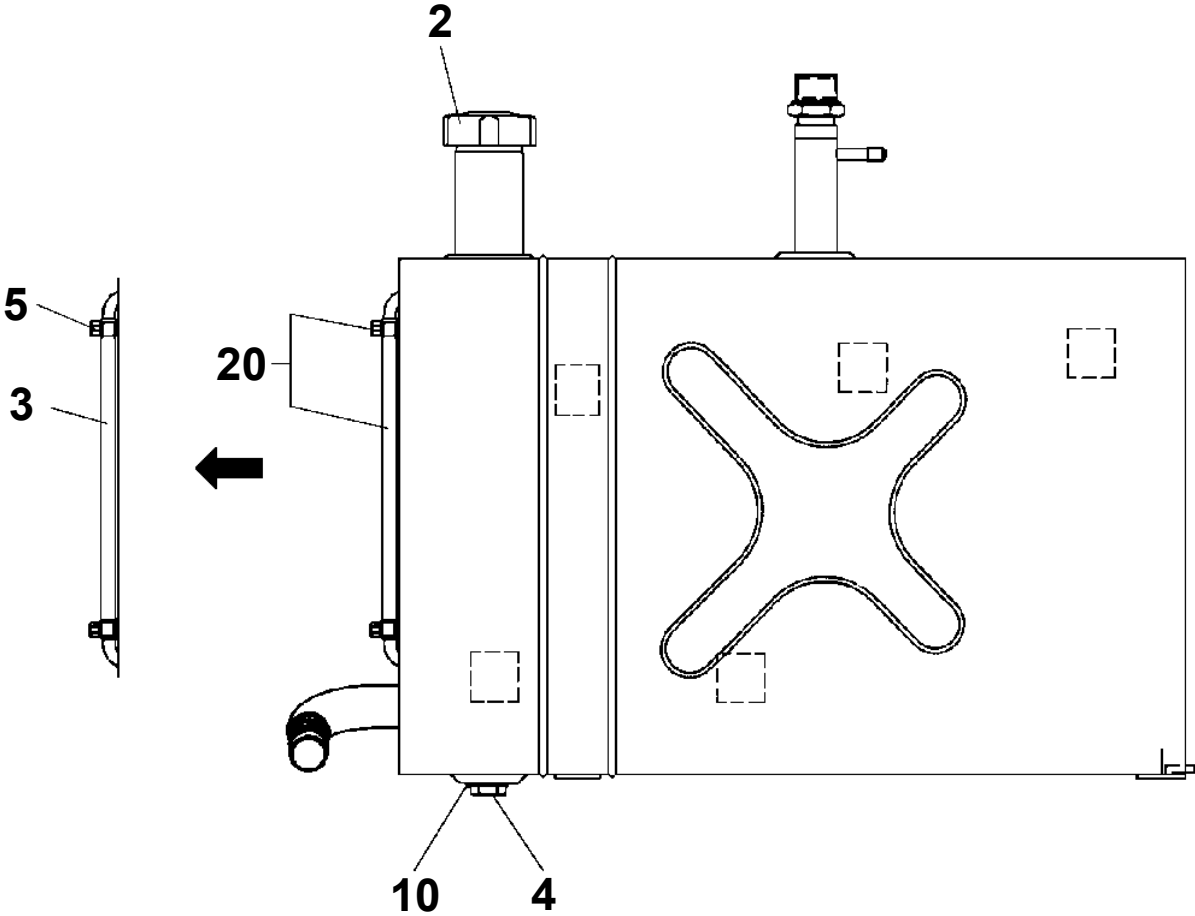
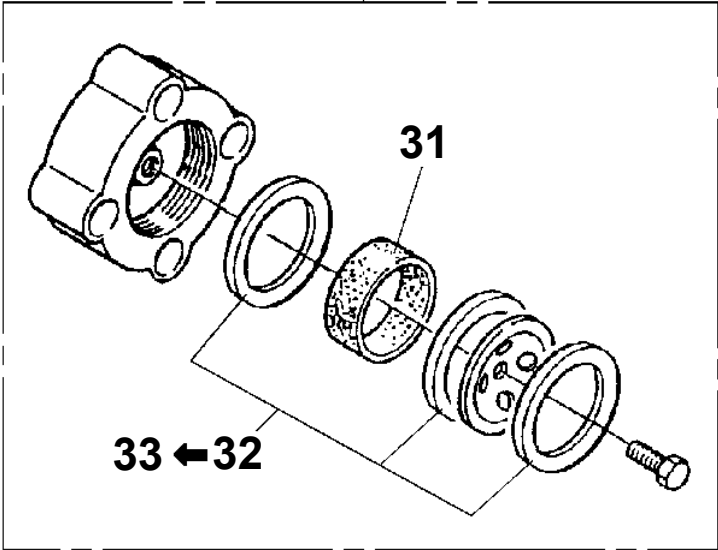
- Please note: If there is no response to CLICKING the link, please download this PDF first and then click on it.

CLICK HERE TO **DOWNLOAD** THE COMPLETE MANUAL

TM-ZE500 41050504065A FRAME/HOOK-IN, MANUAL VALVE
PB1130162-01 TANK, OIL

50

2



TM-ZE500 41050504065A FRAME/HOOK-IN,MANUAL VALVE PB2000054-00 POWER TAKE OFF & PUMP

- POWER TAKE OFF
- パワー テイク オフの選定

[NOTE]

(1) POWER TAKE OFF
IS SUPPLIED FROM THE
VEHICLE MANUFACTURE.

[注 意]

(1) パワーテイクオフは、車両メーカー品です。

- PUMP
- ポンプの選定

key No. 指示番号	PUMP MODEL ポンプ型式番号	RUNNING DIRECTION 回転方向
1	SGP2-52D2H9-L226	COUNTERCLOCKWISE 左
2	SGP2-52D2H9-R234	CLOCKWISE 右

[NOTE]

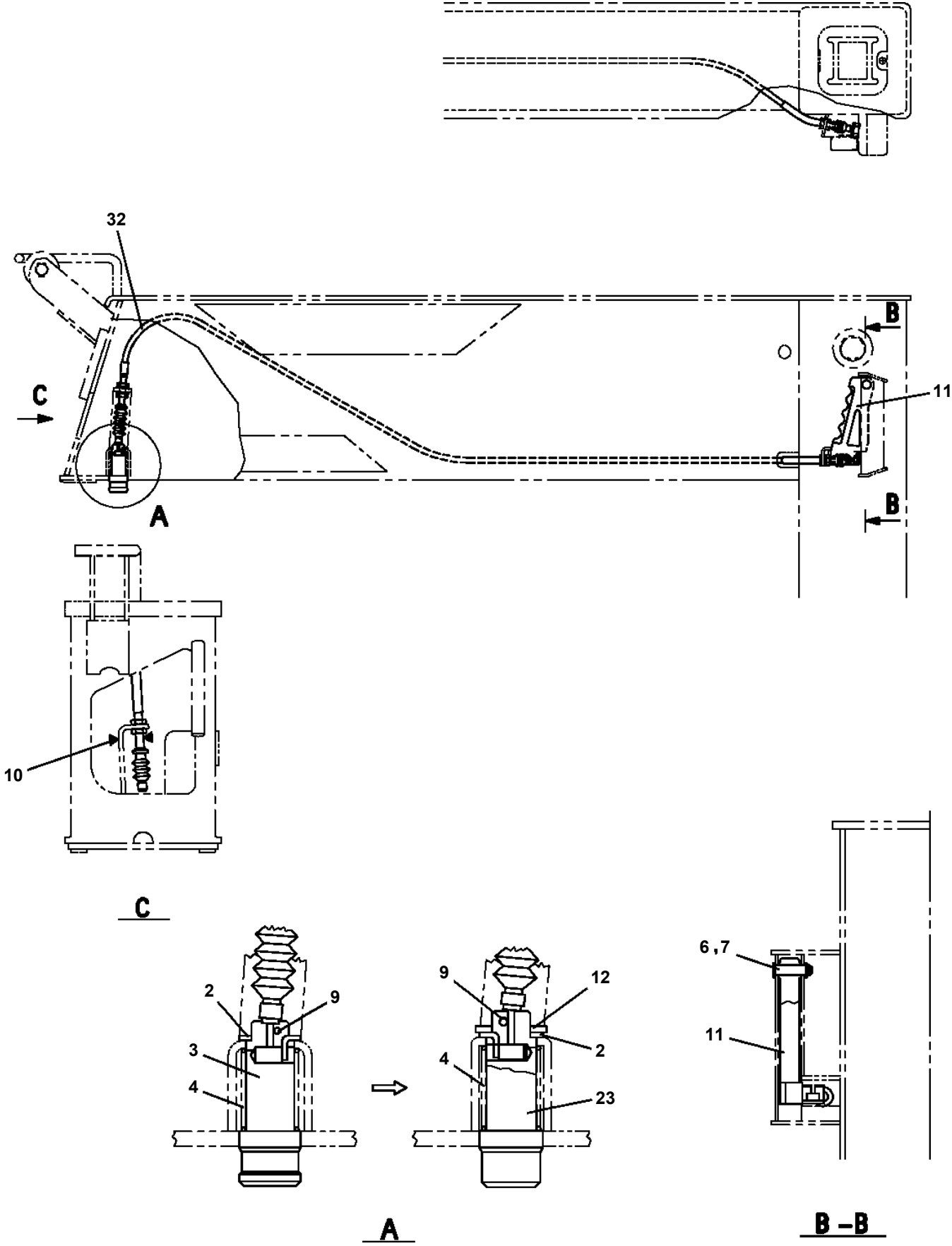
(1) PUMP MODEL NOS. ARE PUNCHED
ON PUMP NAMEPLATES.

(2) THE PUMP RUNNING DIRECTION
IS VIEWED FROM THE SHAFT
TOWARD THE PUMP.

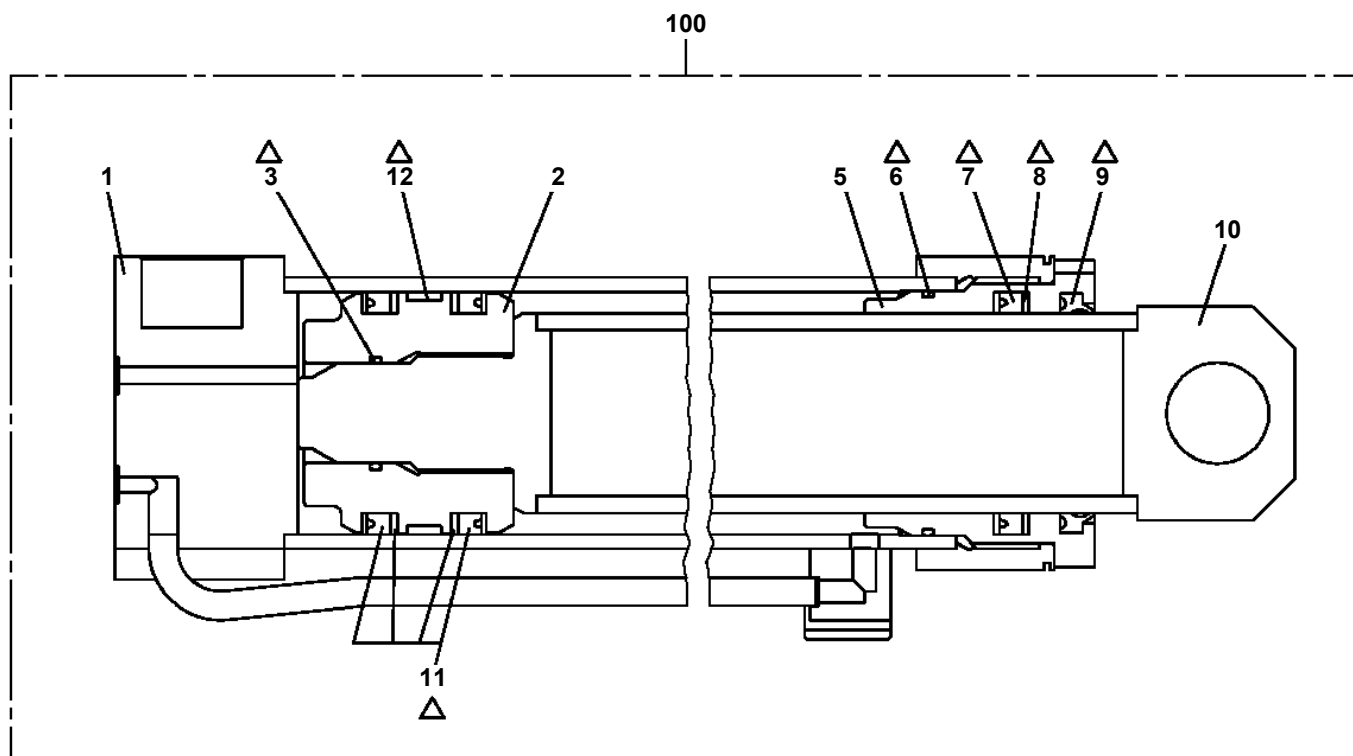
[注 意]

- (1) ポンプ型式番号はポンプ本体の銘板に打刻しています。
- (2) ポンプの回転方向はポンプの軸端から見ての回転方向です。

TM-ZE500 41050504065A FRAME/HOOK-IN,MANUAL VALVE
PC1100159-07 OPE.ASSY,OUTRIGGER



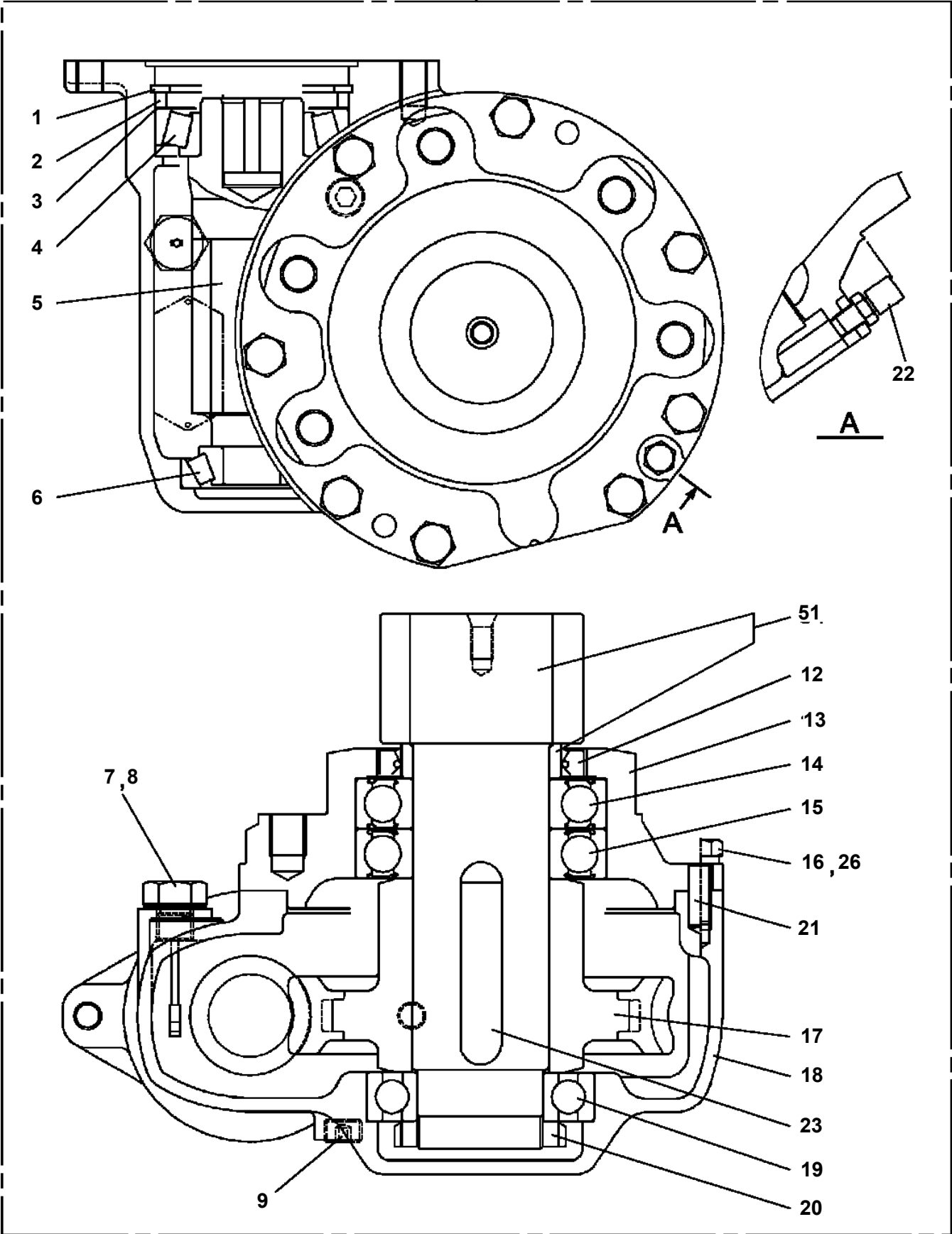
TM-ZE500 41050504065A FRAME/HOOK-IN,MANUAL VALVE
PC6390032-01 CYLINDER ASSY,JACK



Δ:PACKING SET KEY NO.30 (KEY NO.3,6,7,8,9,11,12)

TM-ZE500 41050504065A FRAME/HOOK-IN, MANUAL VALVE
PD1010184-00 REDUCER, SWING SPEED

100

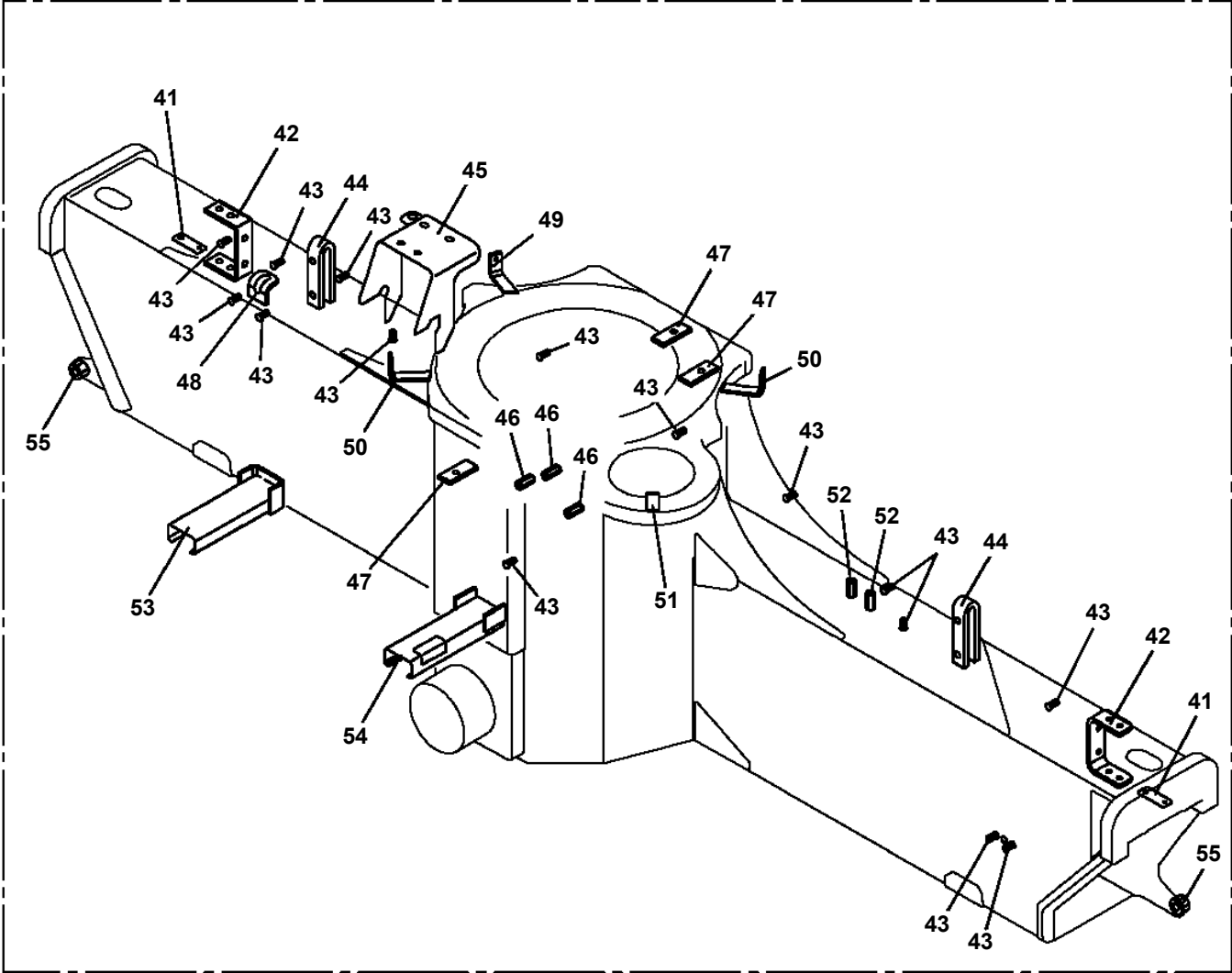


TM-ZE500 41050504065A FRAME/HOOK-IN, MANUAL VALVE

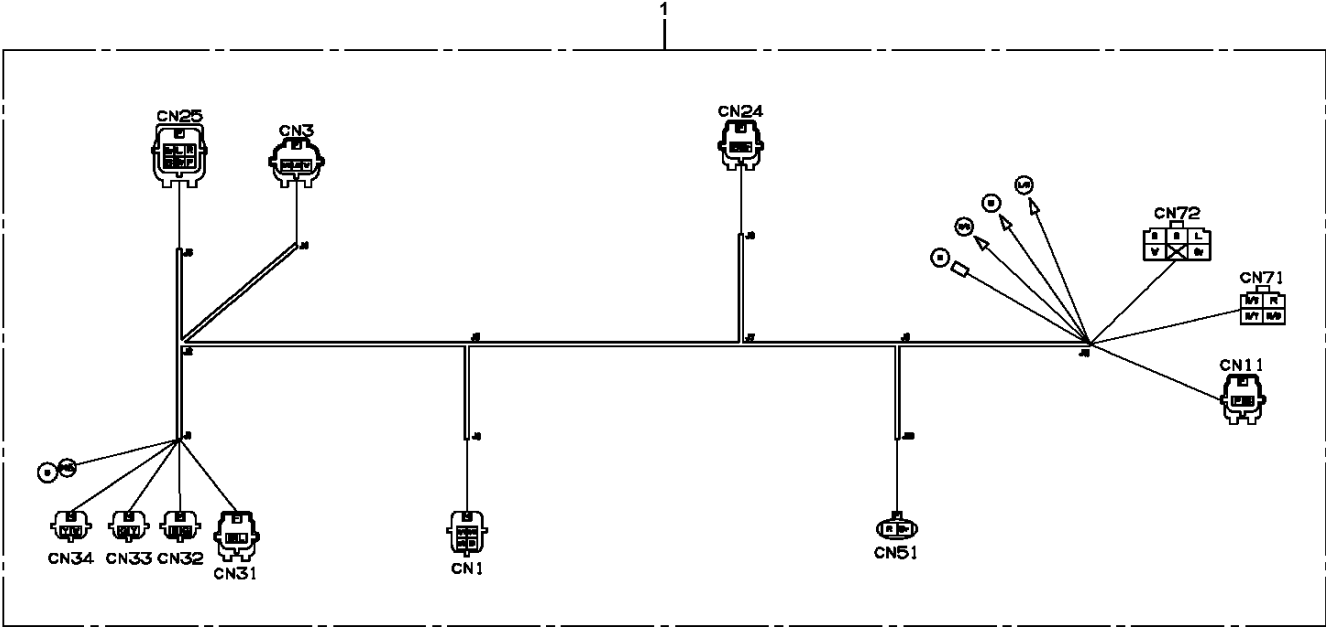
Pos No.	Parts No	Parts Name	Qty	Unit	Technical Data	Serial No (Start)	Serial No (End)
1	91850310405	CLAMP (BLACK)	9				
2	91810130240	FASTENER	16				
3	91810130250	FASTENER	8				
5	31657280200	COVER	2				
6	90186208020	BOLT,FLANGE	8		M8X20		
7	90280200800	NUT,FLANGE	8		M8		
8	31653470100	SUPPORT	1				
9	31653470200	SUPPORT	1				
10	90186206010	BOLT,FLANGE	15		M6X10		
11	31611822200	HARNESS	1		L=13000		
12	82100001371	TERMINAL	1				
13	82100001227	INSULATOR	1				
14	31478092100	HARNESS	1				
16	31478092500	COVER	1				
17	82100000192	TERMINAL	1				
18	82100000182	INSULATOR	1				
28	31478092400	COVER ASSY	1				
29	31478092600	HARNESS	1				
30	31478092301	COVER ASSY	1				
51	31653322200	SWITCH ASSY (WITH HARNESS,2-SW)	2				
52	82199514013	CAP	4				
53	82199504017	NUT	4		AT-401N		
54	31656331100	SUPPORT	2				
55	31656581200	PLATE,NAME	2				

TM-ZE500 41050504065A FRAME/HOOK-IN,MANUAL VALVE
PF5100039-00 FRAME ASSY

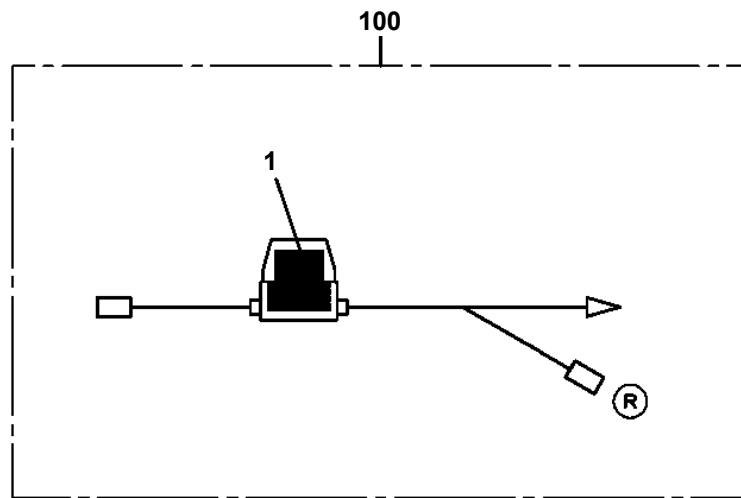
1



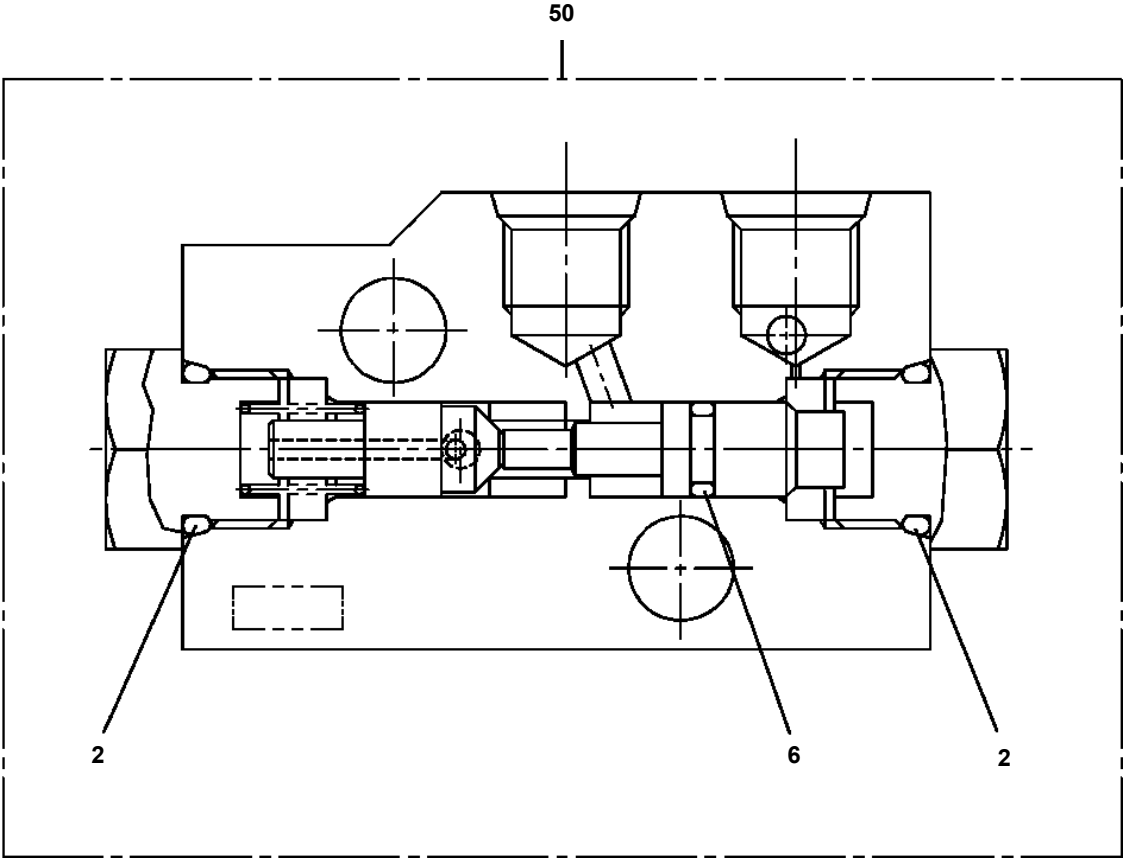
TM-ZE500 41050504065A FRAME/HOOK-IN,MANUAL VALVE
PH5031027-00 HARNESS



**TM-ZE500 41050504065A FRAME/HOOK-IN, MANUAL VALVE
PH5033355-00 HARNESS**

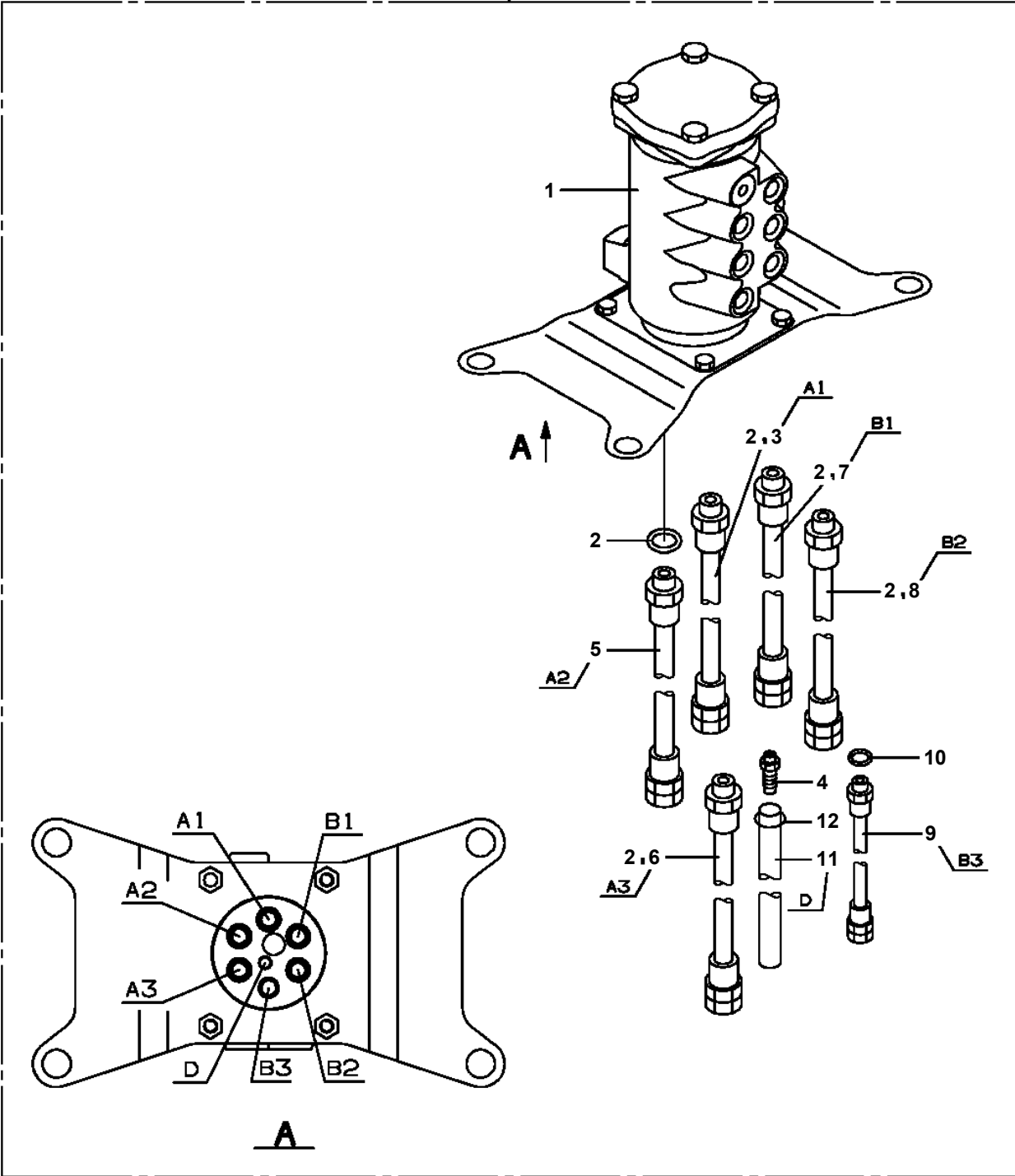


**TM-ZE500 41050504065A FRAME/HOOK-IN, MANUAL VALVE
PI1280051-00 VALVE, PILOT CHECK**

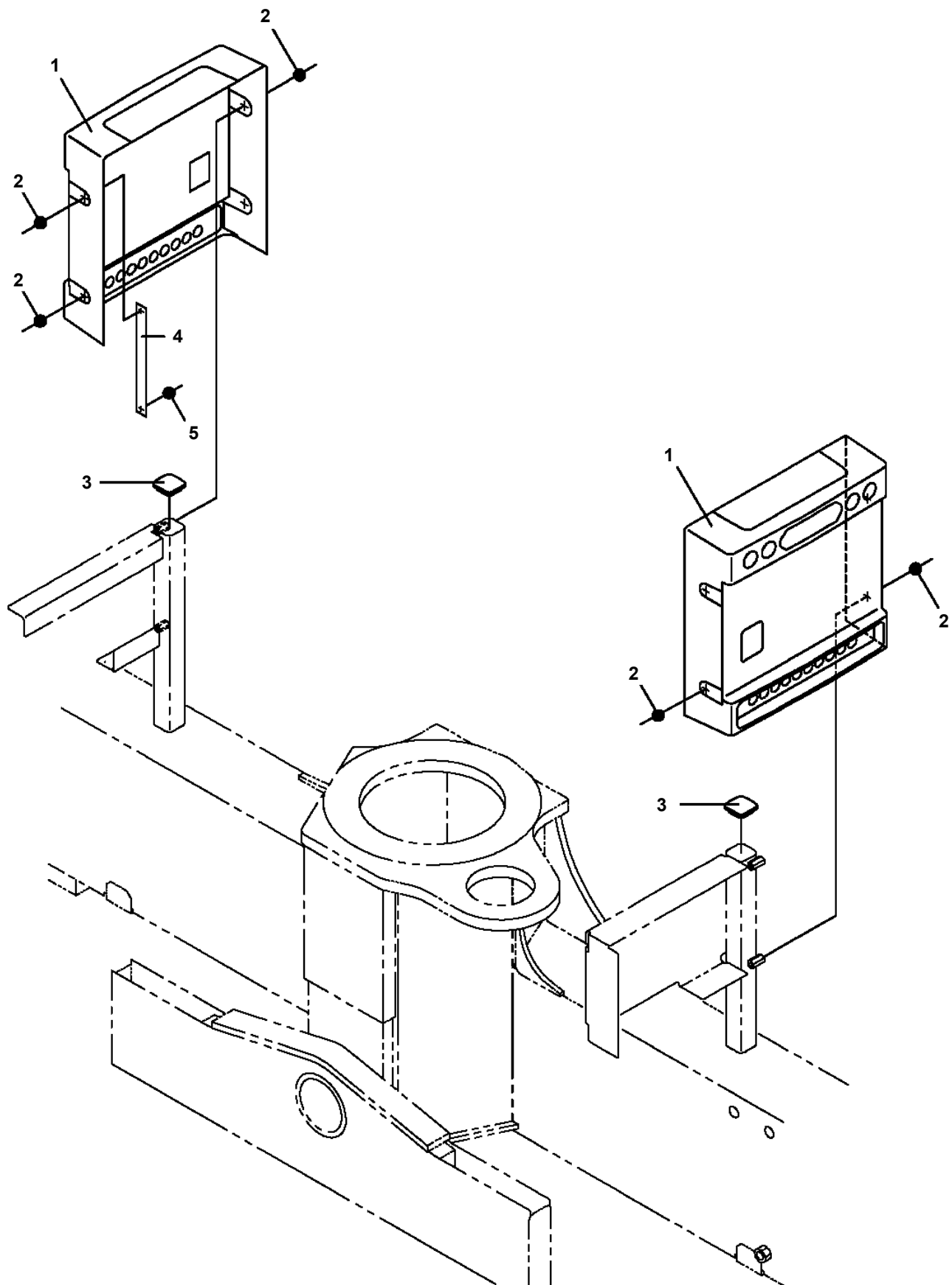


TM-ZE500 41050504065A FRAME/HOOK-IN,MANUAL VALVE
PJ5090006-00 JOINT ASSY,SWIVEL

50



**TM-ZE500 41050504065A FRAME/HOOK-IN, MANUAL VALVE
PK1330382-02 COVER (SWITCH PANEL)**



注 意：本図は参考用に掲載しており、形状などは実機と異なります。

NOTE: THE ABOVE FIGURE IS FOR REFERENCE AND MAY DIFFER FROM THE ACTUAL APPEARANCE OF YOUR MACHINE.

CLICK HERE TO **DOWNLOAD** THE COMPLETE MANUAL

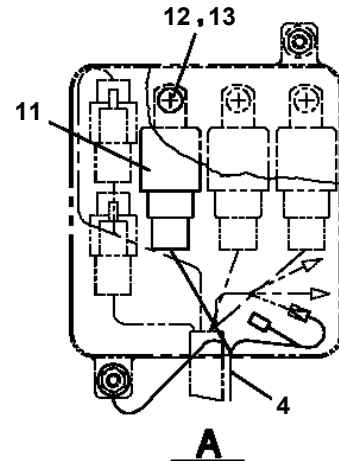
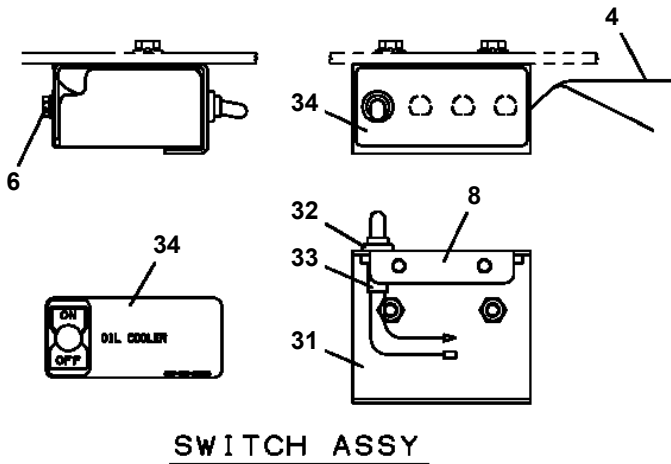
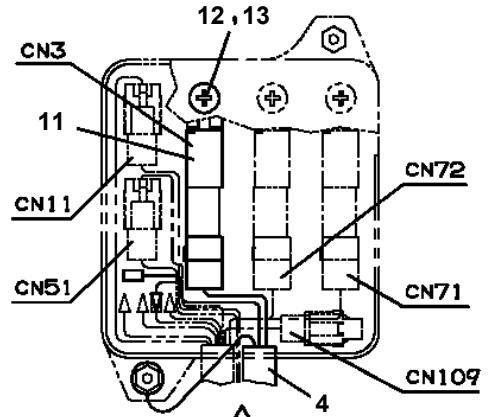
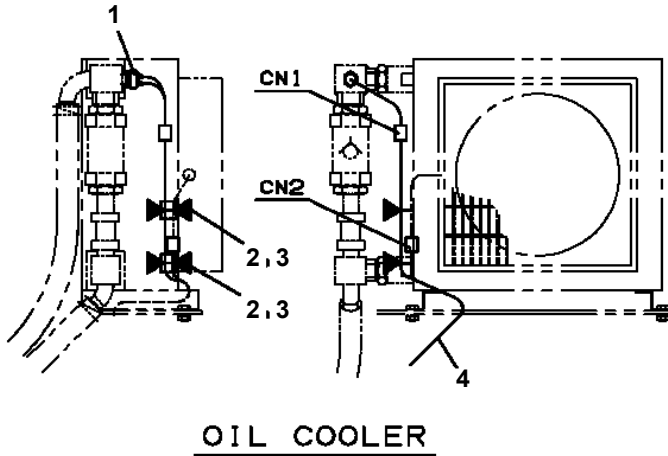
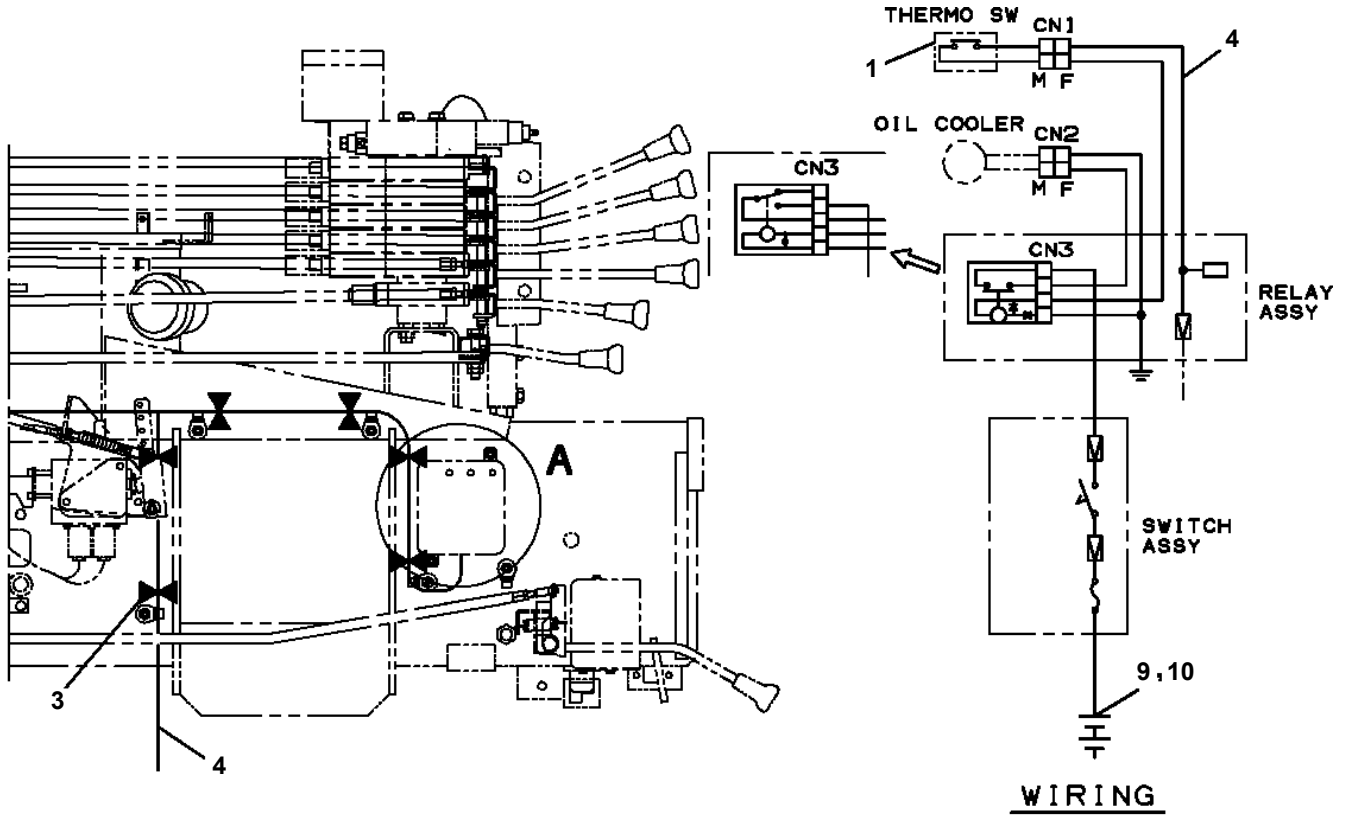
- Thank you very much for reading the preview of the manual.
- You can download the complete manual from: www.heydownloads.com by clicking the link below



- Please note: If there is no response to CLICKING the link, please download this PDF first and then click on it.

CLICK HERE TO **DOWNLOAD** THE COMPLETE MANUAL

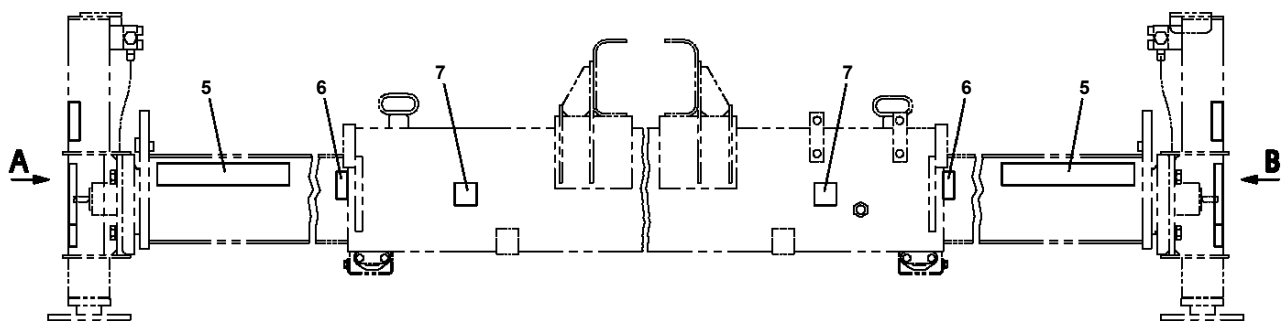
**TM-ZE500 41050504065A FRAME/HOOK-IN,MANUAL VALVE
PN1014500-01 ELEC.ASSY**



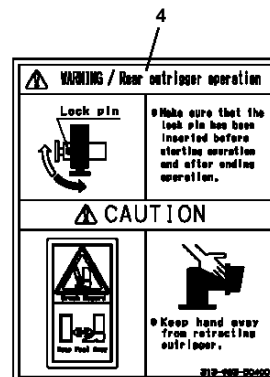
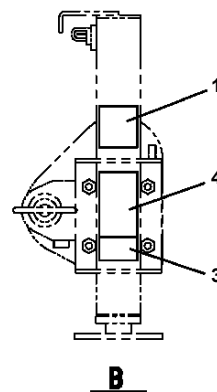
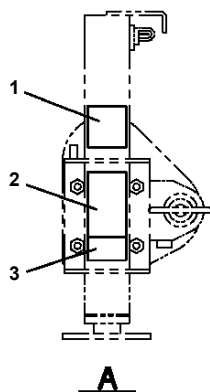
TM-ZE500 41050504065A FRAME/HOOK-IN,MANUAL VALVE
 PN5010248-00 NAME PLATE ASSY

指示番号 KEY NO.	ネームプレートASSY NAME PLATE ASSY
1	ネームプレートASSY (チユウイ,ソウサ) NAME PLATE ASSY (CAUTION,CONTROL)
2	プレートASSY,ネーム (ホースタック) PLATE ASSY,NAME (POST)
3	プレートASSY,ネーム (パネル) PLATE ASSY,NAME (PANEL)
4	プレートASSY,ネーム (オイル) PLATE ASSY,NAME (OIL)
5	ネームプレートASSY (フック) NAME PLATE ASSY (HOOK)

**TM-ZE500 41050504065A FRAME/HOOK-IN,MANUAL VALVE
PO1015287-01 PLATE ASSY,NAME**



REAR JACK/VIEWED FROM REAR OF VEHICLE
(ZE300,360)



TM-ZE500 41050504065A FRAME/HOOK-IN, MANUAL VALVE

Pos No.	Parts No	Parts Name	Qty	Unit	Technical Data	Serial No (Start)	Serial No (End)	Remark
131	31325071300	LINK	1					
132	37010100100	PIN	1					
133	80620210120	PIN,SNAP	1					
134	31323141350	ROLLER	3					
135	37000311460	SPACER	1		L=5			
136	37000314270	SPACER	1		L=25			
137	37000313070	SPACER	1		L=23			
151	31325071600	SUPPORT	1					
152	31323331550	SUPPORT	1					
153	80136332016	PIN,SPLIT	1		3.2X16			
154	90303070801	WASHER,PLAIN	1		8			
155	37002220760	PLATE,NAME	1					

TM-ZE500 41050504065A FRAME/HOOK-IN,MANUAL VALVE

Pos No.	Parts No	Parts Name	Qty	Unit	Technical Data	Serial No (Start)	Serial No (End)
1	80189305008	SCREW,MACHINE	1		M5X8		
2	31613570500	COVER	1				
3	90180208016	BOLT,BUTTON	2		M8X16		
4	90302040801	WASHER,SPRING	2		8		
5	31611640150	SPRING	1				
6	(*****)	OPE.ASSY,OUTRIGGER	1				
7	37000150360	PIN	1				
8	80601110150	RING,RITAINING	2		15		
9	31620582020	BEARING,BALL (KOYO)	2				
10	37000164980	PIN	2				
11	80602110350	RING,RITAINING	4		R35		
12	31614252000	CASE,OUTER	1				
13	31614243000	CASE,INNER	1				
15	37000165280	PIN	1				
16	31201770100	PLATE,SLIDE	2		T=3.0		
17	31612772100	PLATE	1				
18	90186206012	BOLT,FLANGE	2		M6X12		
19	31611643000	FLOAT	1				
31	31612779510	SUPPORT	1				
35	31621963101	SUPPORT	1				
37	31614252100	SUPPORT	1				
51	36623930000	VALVE,PILOT CHECK	1				
52	90172110040	BOLT,HEXAGON SOCKET	2		M10X40		
53	80491002020	JOINT (WITH O-RING)	2				
54	91002801000	O-RING	2		1B P10		
55	36036630000	CYLINDER ASSY,JACK	1				EW6837
61	31611300500	PLATE,NAME (WHITE)	2				
62	31611300600	PLATE,NAME (YELLOW)	2				
71	91002801100	O-RING	2		1B P11		
100	31614250100	OUTRIGGER ASSY (CASE:L=920,MIN=785)	1				

TM-ZE500 41050504065A FRAME/HOOK-IN, MANUAL VALVE

Pos No.	Parts No	Parts Name	Qty	Unit	Technical Data	Serial No (Start)	Serial No (End)
1	31614320100	OUTRIGGER ASSY (CASE:L=920,MIN=785)	2				

TM-ZE500 41050504065A FRAME/HOOK-IN,MANUAL VALVE

Pos No.	Parts No	Parts Name	Qty	Unit	Technical Data	Serial No (Start)	Serial No
1	80189305008	SCREW,MACHINE	1		M5X8		
2	31613570500	COVER	1				
3	90180208016	BOLT,BUTTON	2		M8X16		
4	90302040801	WASHER,SPRING	2		8		
5	31611640150	SPRING	1				
6	(*****)	OPE.ASSY,OUTRIGGER	1				
7	37000150360	PIN	1				
8	80601110150	RING,RITAINING	2		15		
9	31620582020	BEARING,BALL (KOYO)	2				
10	37000164980	PIN	2				
11	80602110350	RING,RITAINING	6		R35		
12	31614452000	CASE,OUTER	1		L=1250		
13	31612910500	CASE,INNER	1				
14	(*****)	CYLINDER,JACK (STROKE 550)	1				
15	37000165280	PIN	2				
16	31201770100	PLATE,SLIDE	2		T=3.0		
17	31612772100	PLATE	1				
18	90186206012	BOLT,FLANGE	2		M6X12		
19	31611643000	FLOAT	1				
31	31614324200	SUPPORT	1				
35	31614694000	SUPPORT	1				
37	31621963200	SUPPORT	1				
41	31611300500	PLATE,NAME (WHITE)	2				
42	31611300600	PLATE,NAME (YELLOW)	2				
100	31614450100	OUTRIGGER ASSY (CASE:L=1250,MIN=805)	1				

TM-ZE500 41050504065A FRAME/HOOK-IN, MANUAL VALVE

Pos No.	Parts No	Parts Name	Qty	Unit	Technical Data	Serial No (Start)	Serial No (End)
1	(*****)	CYLINDER,JACK (REAR/STROKE 330MM)	2				
2	(*****)	FRAME ASSY (REAR)	1				
11	31621340300	SUPPORT	2				
12	90171116050	BOLT	8		M16X50		
13	90202781600	NUT	16		M16		
15	37000539370	PLATE	2				

TM-ZE500 41050504065A FRAME/HOOK-IN,MANUAL VALVE

Pos No.	Parts No	Parts Name	Qty	Unit	Technical Data	Serial No (Start)	Ser
1	31590862100	PLATE,NAME (LOAD INDICATOR)	1				
2	31590862200	PLATE,NAME (LOAD INDICATOR)	1				
3	31590862300	PLATE,NAME (EMPTY CHASSIS RATED LIFTING)	2				

TM-ZE500 41050504065A FRAME/HOOK-IN,MANUAL VALVE

Pos No.	Parts No	Parts Name	Qty	Unit	Technical Data	Serial No (Start)	Ser
1	31590874100	PLATE,NAME (LOAD INDICATOR)	1				
2	31590874200	PLATE,NAME (LOAD INDICATOR)	1				
3	31590874300	PLATE,NAME (EMPTY CHASSIS RATED LIFTING)	2				

TM-ZE500 41050504065A FRAME/HOOK-IN,MANUAL VALVE

Pos No.	Parts No	Parts Name	Qty	Unit	Technical Data	Serial No (Start)	Ser
1	31590893100	PLATE,NAME (LOAD INDICATOR)	1				
2	31590893200	PLATE,NAME (LOAD INDICATOR)	1				
3	31590893300	PLATE,NAME (EMPTY CHASSIS RATED LIFTING)	2				

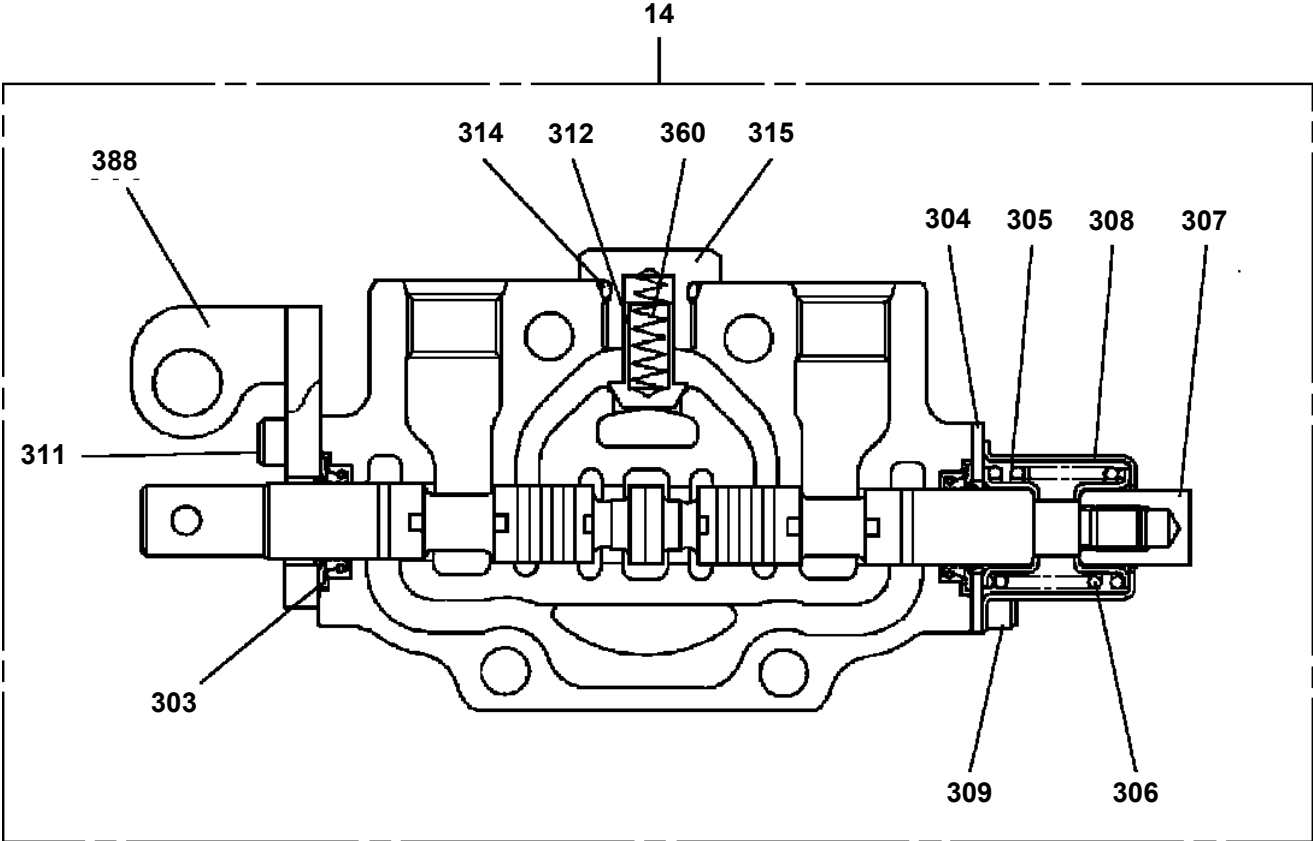
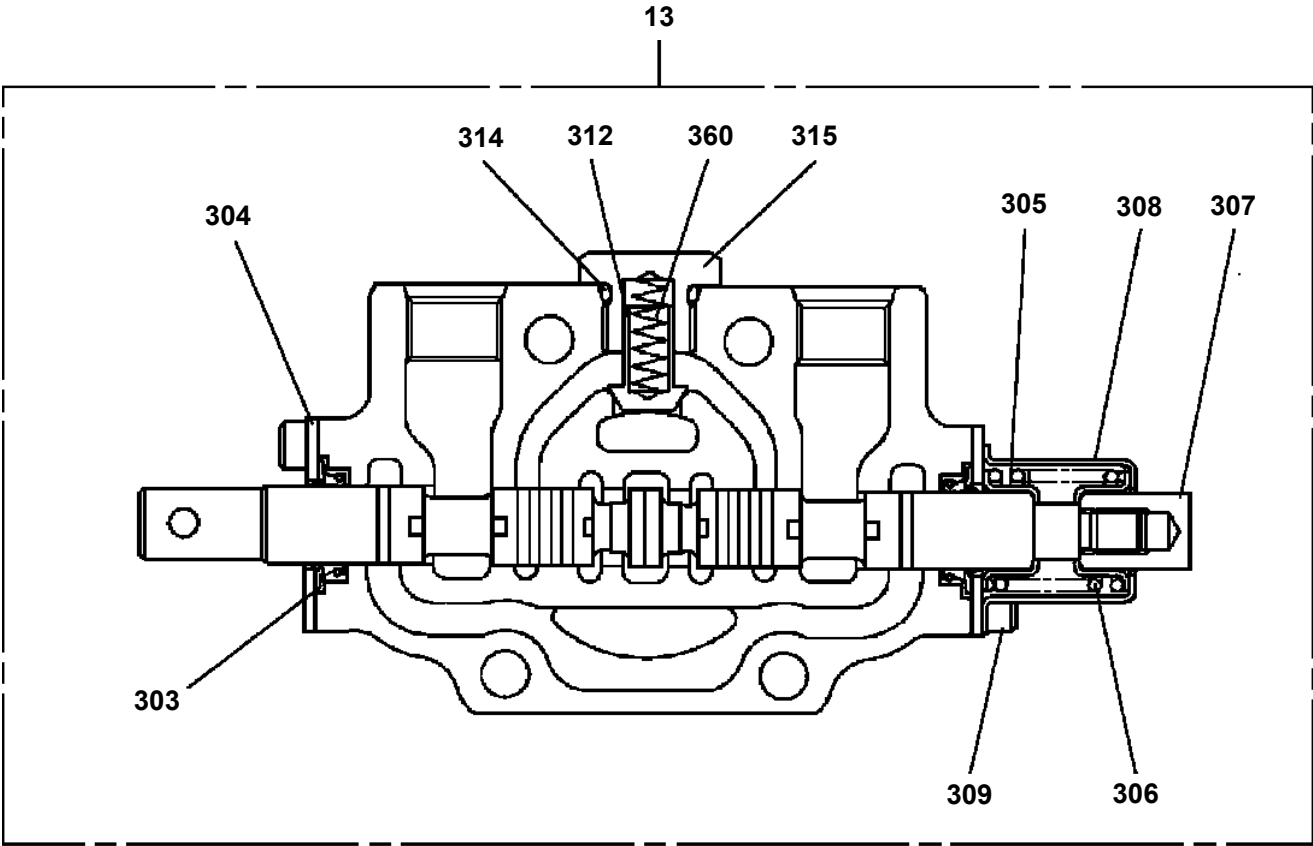
TM-ZE500 41050504065A FRAME/HOOK-IN, MANUAL VALVE

Pos No.	Parts No	Parts Name	Qty	Unit	Technical Data	Serial No (Start)	Serial No (End)	Remarks	Pa
1	80481003037	JOINT	3						
2	91002801400	O-RING	4		1B P14				
3	80481003027	JOINT	1						
4	80400160180	JOINT (WITH O-RING)	2						
11	91002801400	O-RING	2		1B P14				

TM-ZE500 41050504065A FRAME/HOOK-IN, MANUAL VALVE

Pos No.	Parts No	Parts Name	Qty	Unit	Technical Data	Serial No (Start)	Serial No (End)	Remarks
1	37000588860	PLATE	2					
2	31950440100	SUPPORT	2					
3	90172110035	BOLT,HEXAGON SOCKET	4		M10X35			
4	90302041001	WASHER,SPRING	4		10			
5	31950360200	CAP	2					

TM-ZE500 41050504065A FRAME/HOOK-IN, MANUAL VALVE
PV5180001-00 VALVE ASSY, SELECTOR (MANUAL CONT.)



CLICK HERE TO **DOWNLOAD** THE COMPLETE MANUAL

- Thank you very much for reading the preview of the manual.
- You can download the complete manual from: www.heydownloads.com by clicking the link below



- Please note: If there is no response to CLICKING the link, please download this PDF first and then click on it.

CLICK HERE TO **DOWNLOAD** THE COMPLETE MANUAL