

**TM-ZE500 41050504044A FRAME/HOOK-IN,MANUAL VALVE (G)**

**PB0000228-02 SYSTEM (ZE500,EXPORT)**

**ASSEMBLY**

CLICK HERE TO **DOWNLOAD** THE COMPLETE MANUAL

- Thank you very much for reading the preview of the manual.
- You can download the complete manual from: [www.heydownloads.com](http://www.heydownloads.com) by clicking the link below



- Please note: If there is no response to CLICKING the link, please download this PDF first and then click on it.

CLICK HERE TO **DOWNLOAD** THE COMPLETE MANUAL

## TM-ZE500 41050504044A FRAME/HOOK-IN,MANUAL VALVE (G)

Pos No.	Parts No	Parts Name	Qty	Unit	Technical Data	Serial No (Start)	Serial No (End)	Rema
2	36101895020	BREATHER ASSY (OB-10B)	1					
3	36102485010	GAUGE,OIL	1					
4	36102075020	PLUG	1					
5	91803880070	CLIP	2		D=13.1-16.2			
10	36102075030	WASHER,SEAL	1					
31	53156005010	ELEMENT (OB-10T & OB-10B)	1					
33	36101895030	RETAINER ASSY	1					
50	36102290000	TANK,OIL	1					

## TM-ZE500 41050504044A FRAME/HOOK-IN, MANUAL VALVE (G)

Pos No.	Parts No	Parts Name	Qty	Unit	Technical Data	Serial No (Start)	Serial No (End)	Remarks
1	36623930000	VALVE,PILOT CHECK	1					
2	90172110040	BOLT,HEXAGON SOCKET	2		M10X40			
3	80491002020	JOINT (WITH O-RING)	2					
4	91002801000	O-RING	2		1B P10			
5	36034780000	CYLINDER ASSY,JACK	1				EW6837	
	36037410000	CYLINDER ASSY,JACK	1			EW6838		
31	91002801100	O-RING	2		1B P11			

## TM-ZE500 41050504044A FRAME/HOOK-IN,MANUAL VALVE (G)

Pos No.	Parts No	Parts Name	Qty	Unit	Technical Data	Serial No (Start)	Se
1	36034780100	CYLINDER	1				
	36034780100	CYLINDER	1				
2	36033920200	PISTON	1				
	36033920200	PISTON	1				
3	91002903500	O-RING	1		1B G35		
	91002903500	O-RING	1		1B G35		
4	91350208501	BEARING,PLAIN(PACKINGX2+BEARING,PLAINX1)	1				
	91350208501	BEARING,PLAIN(PACKINGX2+BEARING,PLAINX1)	1				
5	36032710200	COVER,ROD	1				
	36032710200	COVER,ROD	1				
6	91002908000	O-RING	1		1B G80		
	91002908000	O-RING	1		1B G80		
7	91694007001	PACKING	1				
	91694007001	PACKING	1				
8	91410207001	RING,BACKUP	1				
	91410207001	RING,BACKUP	1				
9	91660007001	SEAL,DUST	1				
	91660007001	SEAL,DUST	1				
10	36033920300	ROD	1				
	36033920300	ROD	1				
30	36033929900	PACKING SET	1		70X85		
	36033929900	PACKING SET	1		70X85		
50	36036630000	CYLINDER ASSY,JACK	1				
	36036630000	CYLINDER ASSY,JACK	1				

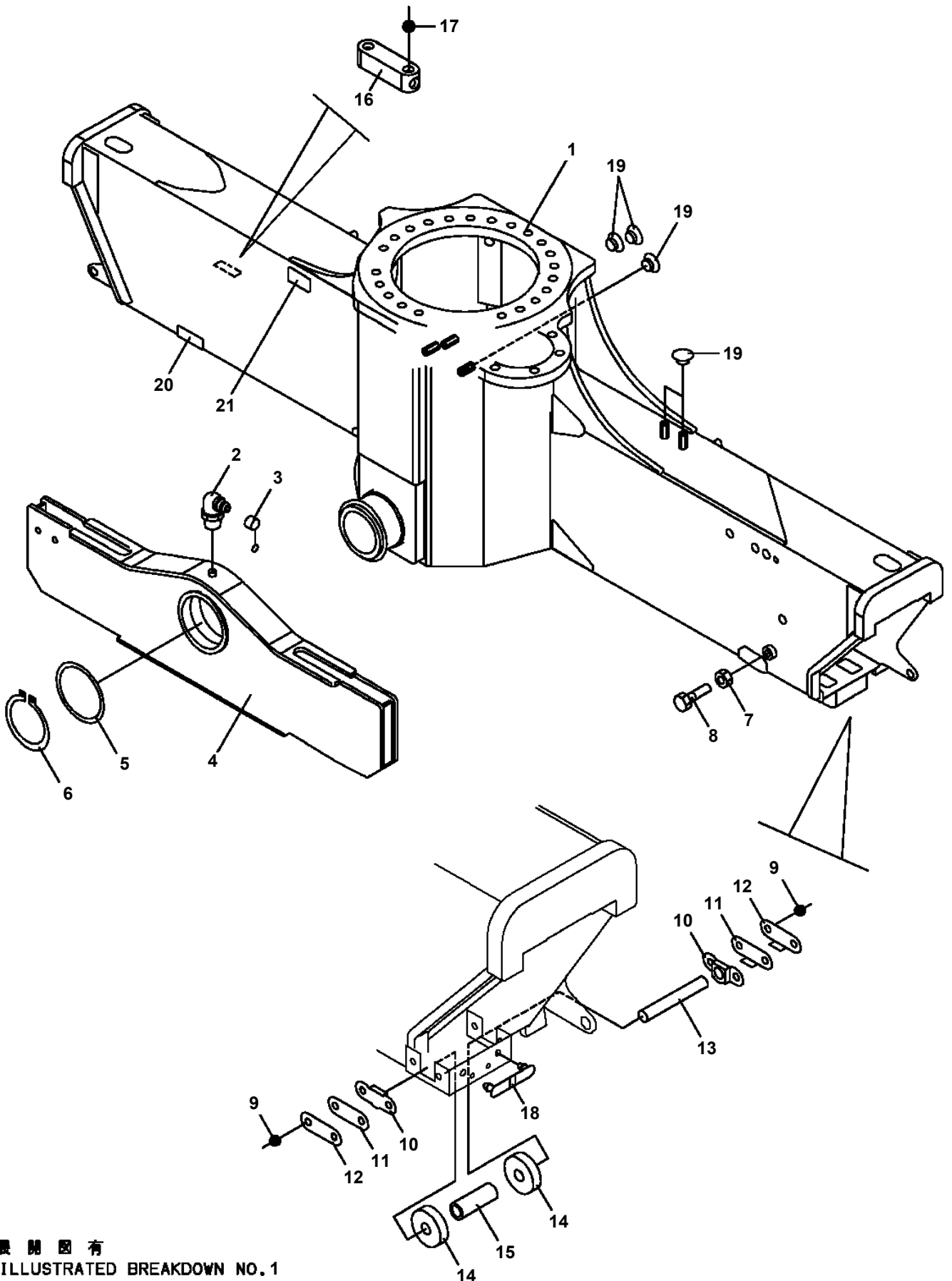
# TM-ZE500 41050504044A FRAME/HOOK-IN,MANUAL VALVE (G)

Pos No.	Parts No	Parts Name	Qty	Unit	Technical Data	Serial No (Start)	Serial No (End)
1	36034780100	CYLINDER	1				
2	36037390100	PISTON	1				
3	91002903500	O-RING	1		1B G35		
5	36032710200	COVER,ROD	1				
6	91002908000	O-RING	1		1B G80		
7	91694007001	PACKING	1				
8	91410207001	RING,BACKUP	1				
9	91660007001	SEAL,DUST	1				
10	36035380300	ROD	1				
11	91350308501	PACKING ASSY (PACKING X2+BACKUP RING X2)	1				
12	91332208500	BEARING,PLAIN	1				
30	36037359900	PACKING SET	1		70X85		
100	36037400000	CYLINDER ASSY,JACK	1				

# TM-ZE500 41050504044A FRAME/HOOK-IN,MANUAL VALVE (G)

Pos No.	Parts No	Parts Name	Qty	Unit	Technical Data	Serial No (Start)	Serial No (End)
1	31658271100	HARNES	1				
4	31656010201	SUPPORT	1				
5	90171110018	BOLT	4		M10X18		
6	90302041001	WASHER,SPRING	4		10		
7	90186208014	BOLT,FLANGE	6		M8X14		PA1270
	90186208014	BOLT,FLANGE	8		M8X14	PA1271	
8	31653241300	COVER	2				
9	90186206010	BOLT,FLANGE	4		M6X10		
10	31653241100	BUZZER ASSY	1				
11	34352782100	BUZZER	1				
12	90186208020	BOLT,FLANGE	1		M8X20		
13	90280200800	NUT,FLANGE	1		M8		
15	90186206020	BOLT,FLANGE	3		M6X20		
16	90303070601	WASHER,PLAIN	8		6		
17	90280200600	NUT,FLANGE	4		M6		
18	91850100802	CLAMP	11				
19	91810130250	FASTENER	17				
20	91850310405	CLAMP (BLACK)	3				
21	31656290200	COVER	1				
23	31656560200	SUPPORT	1				
24	90186210014	BOLT,FLANGE	2		M10X14		
25	31656101200	PLUG (2-POLES,FEMALE)	1				
26	31656110100	PLATE	2				
27	90201200600	NUT	4		M6		
28	31652991700	PLUG (4-POLES,FEMALE)	1				
29	90101208014	BOLT	2		M8X14		PA1270
30	90303070801	WASHER,PLAIN	2		8		PA1270
51	31653243100	SUPPORT	2				
52	31656292120	SWITCH ASSY (GREEN:PANASONIC)	1				
	31656292110	SWITCH ASSY (PLATING:NACC)	1				
53	82197518119	CAP (PLUS ONE MFG./BLACK)	1				
	82197518114	CAP (MATSUSHITA/BLACK)	1				
54	82197600101	CAP (BLACK)	2				
55	82197600103	CAP (RED)	1				
73	31653303200	SWITCH ASSY (NIHON AUTOMATIC)	1				
	31653303300	SWITCH ASSY (MATSUSHITA)	1				
91	31656011200	COVER	1				
92	37002227560	PLATE,NAME (BLACK)	2		D=16		
93	34354781710	RELAY (WITH BRACKET)	2				
94	90280200600	NUT,FLANGE	2		M6		
95	80197586012	SCREW,MACHINE	2		M6X12		

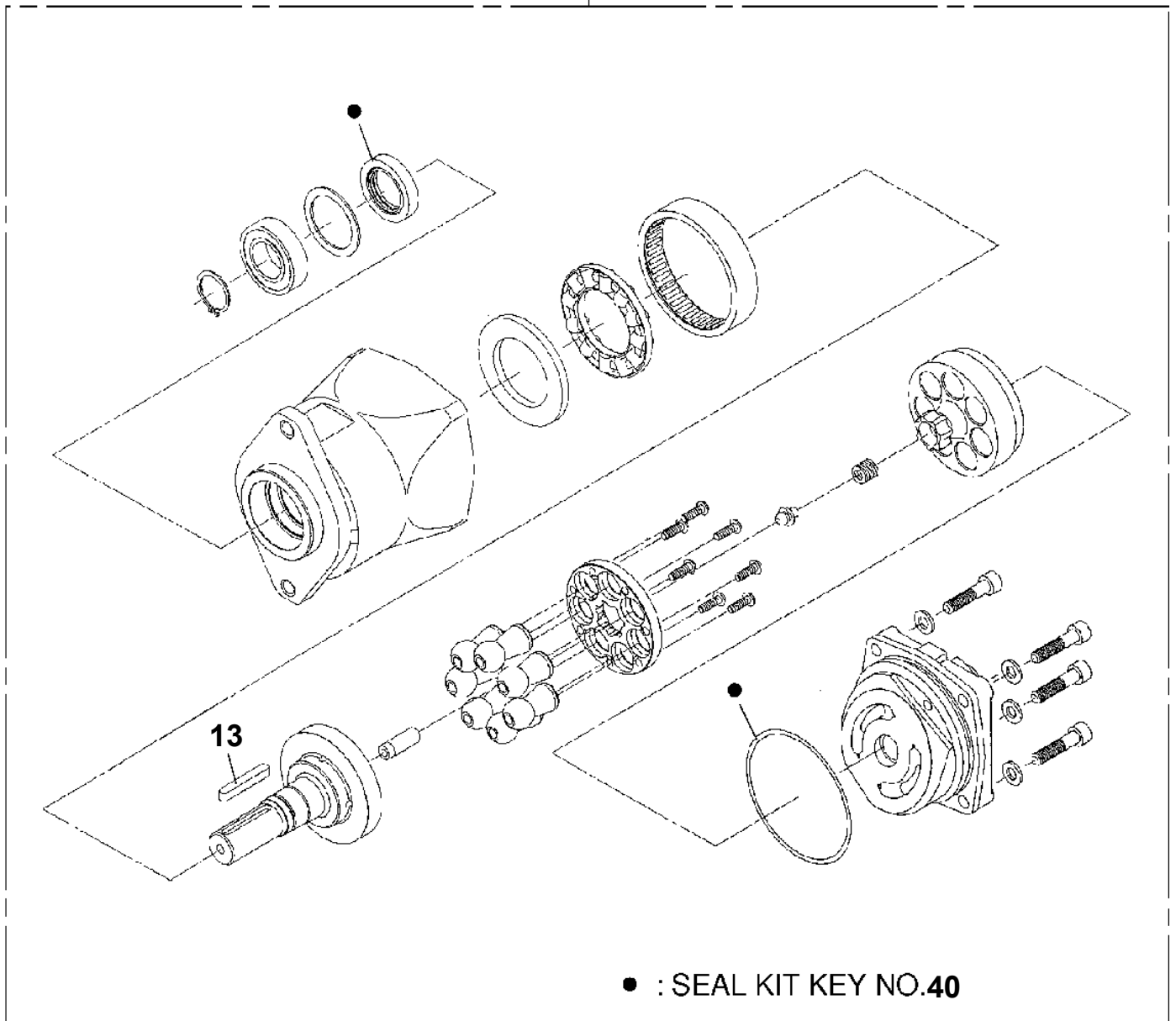
TM-ZE500 41050504044A FRAME/HOOK-IN,MANUAL VALVE (G)  
PF5100196-00 FRAME ASSY



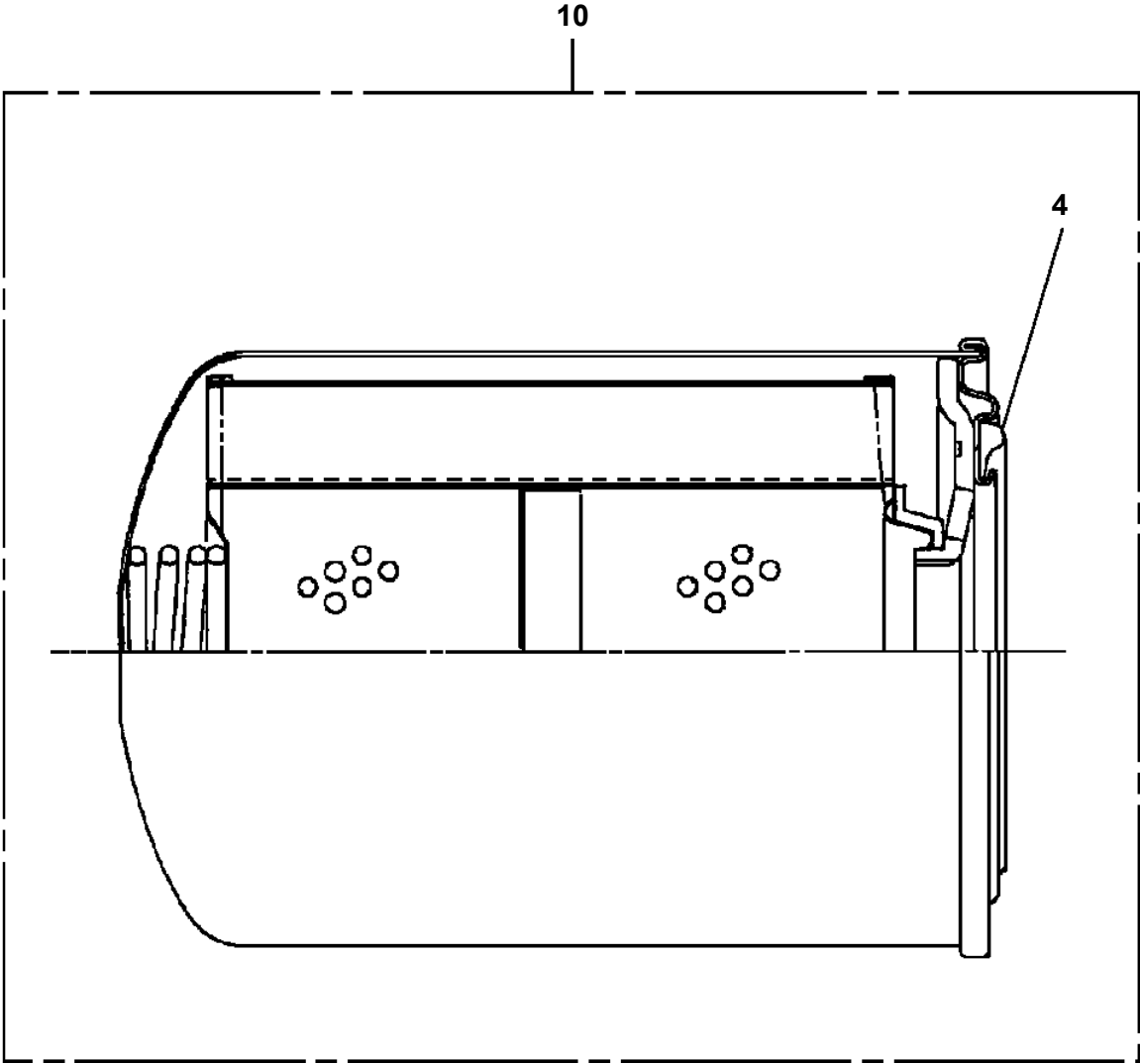
展開圖有  
ILLUSTRATED BREAKDOWN NO.1

**TM-ZE500 41050504044A FRAME/HOOK-IN,MANUAL VALVE (G)  
PI1010152-00 MOTOR,HYDRAULIC (WINCH)**

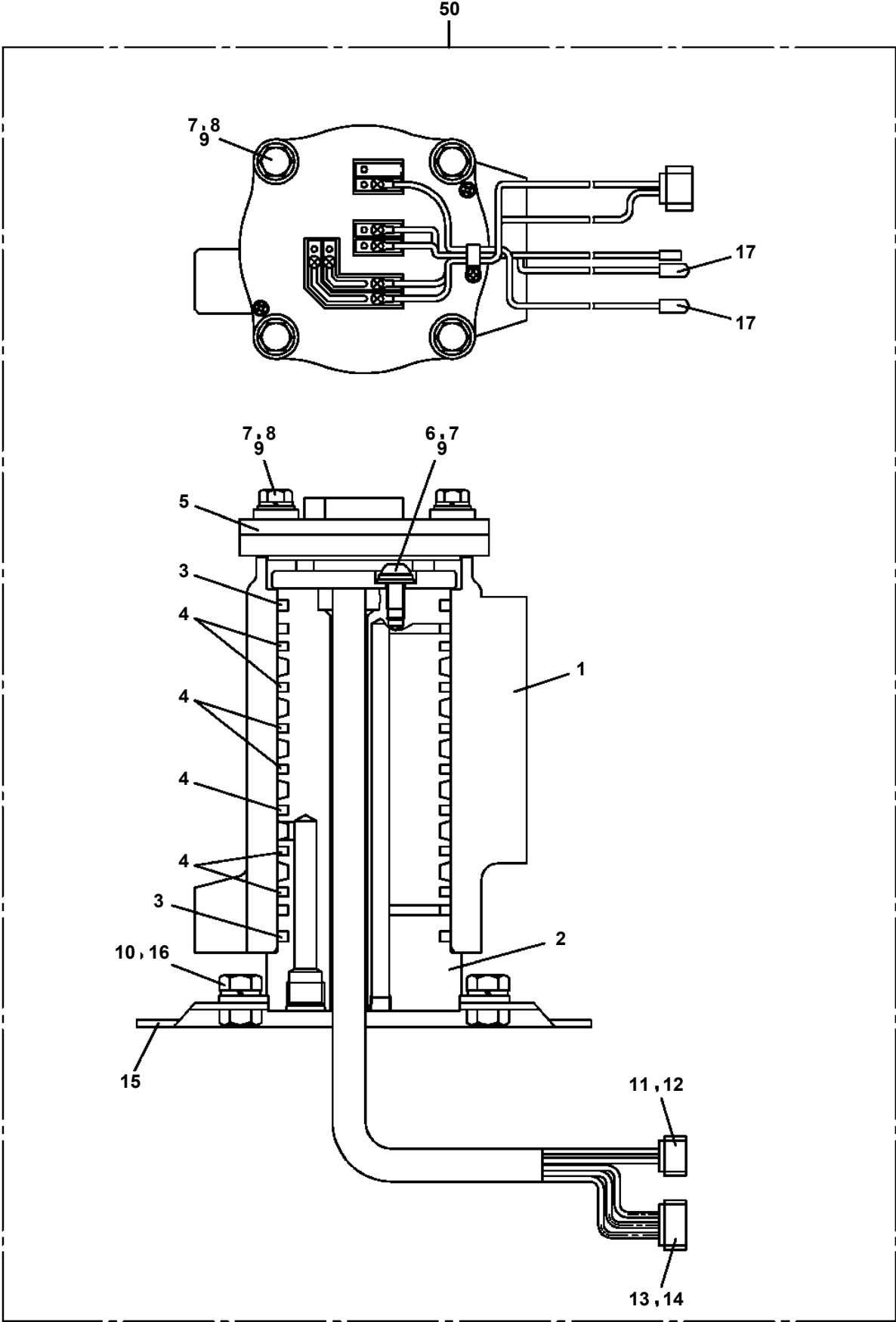
50



TM-ZE500 41050504044A FRAME/HOOK-IN,MANUAL VALVE (G)  
PI1300028-01 FILTER,OIL (CARTRIDGE)



TM-ZE500 41050504044A FRAME/HOOK-IN, MANUAL VALVE (G)  
PJ5090025-00 JOINT ASSY, SWIVEL



CLICK HERE TO **DOWNLOAD** THE COMPLETE MANUAL

- Thank you very much for reading the preview of the manual.
- You can download the complete manual from: [www.heydownloads.com](http://www.heydownloads.com) by clicking the link below

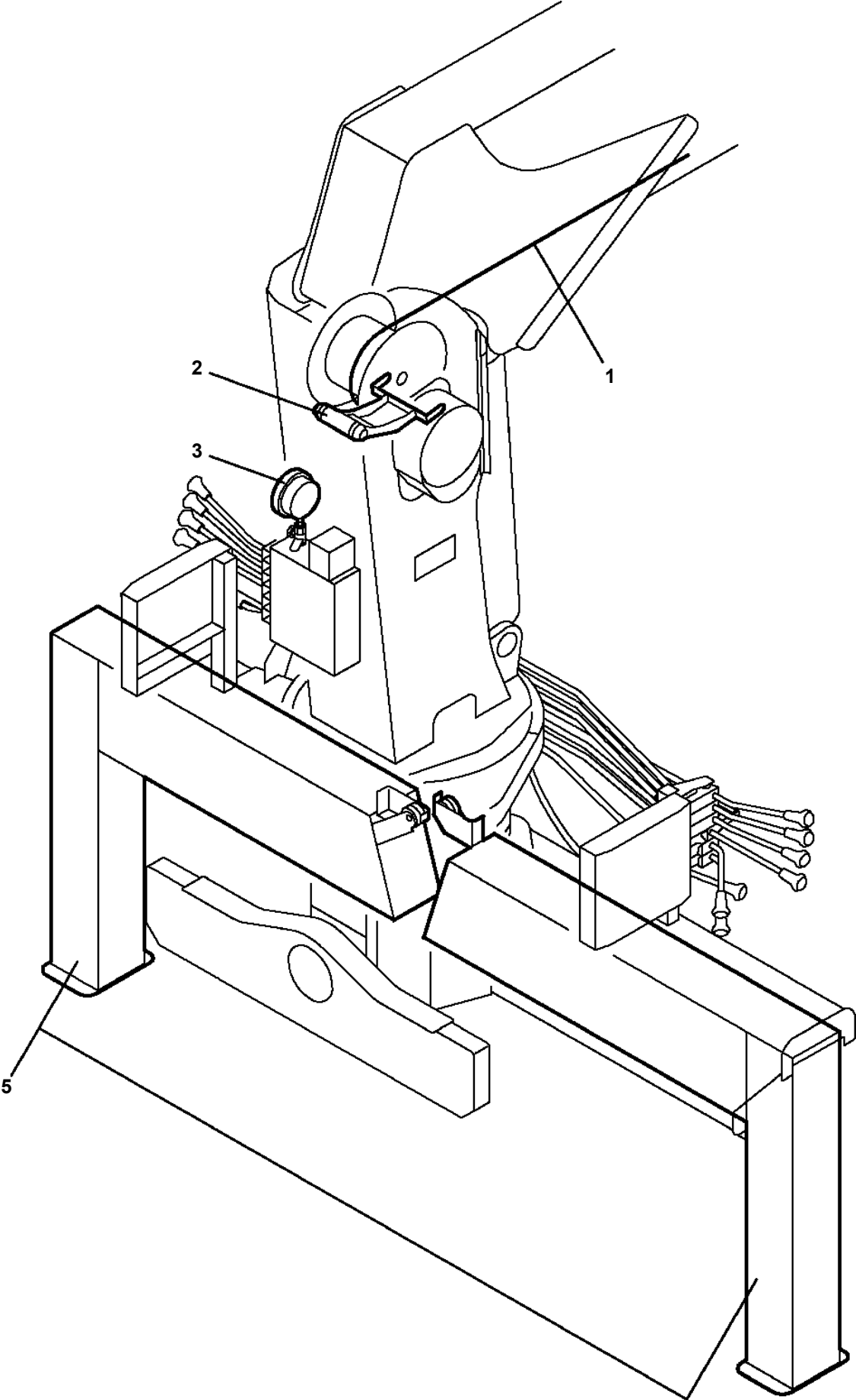


- Please note: If there is no response to CLICKING the link, please download this PDF first and then click on it.

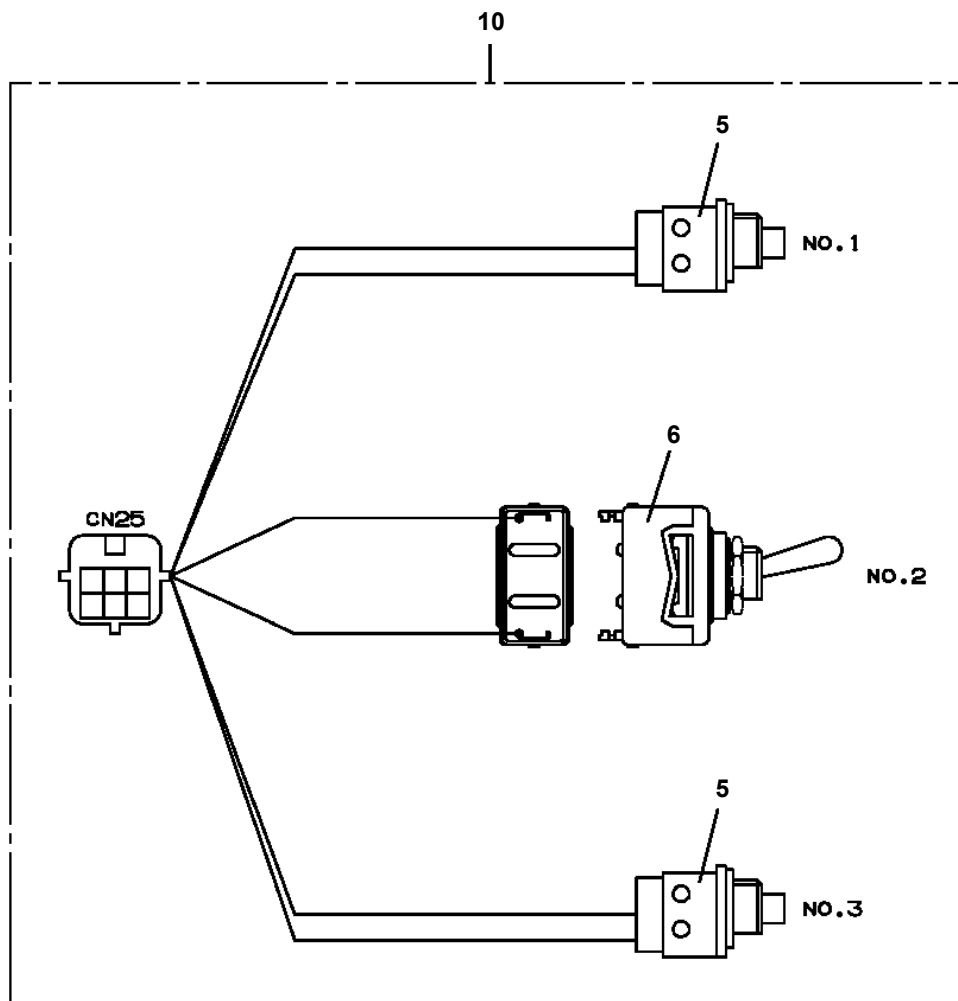
CLICK HERE TO **DOWNLOAD** THE COMPLETE MANUAL

**TM-ZE500 41050504044A FRAME/HOOK-IN,MANUAL VALVE (G)**

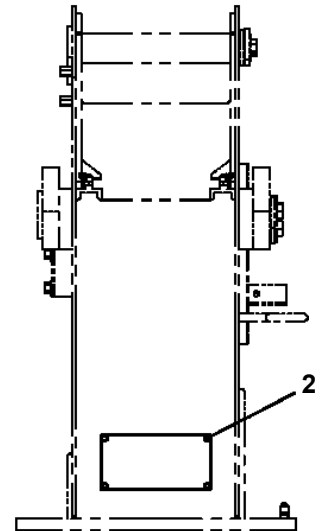
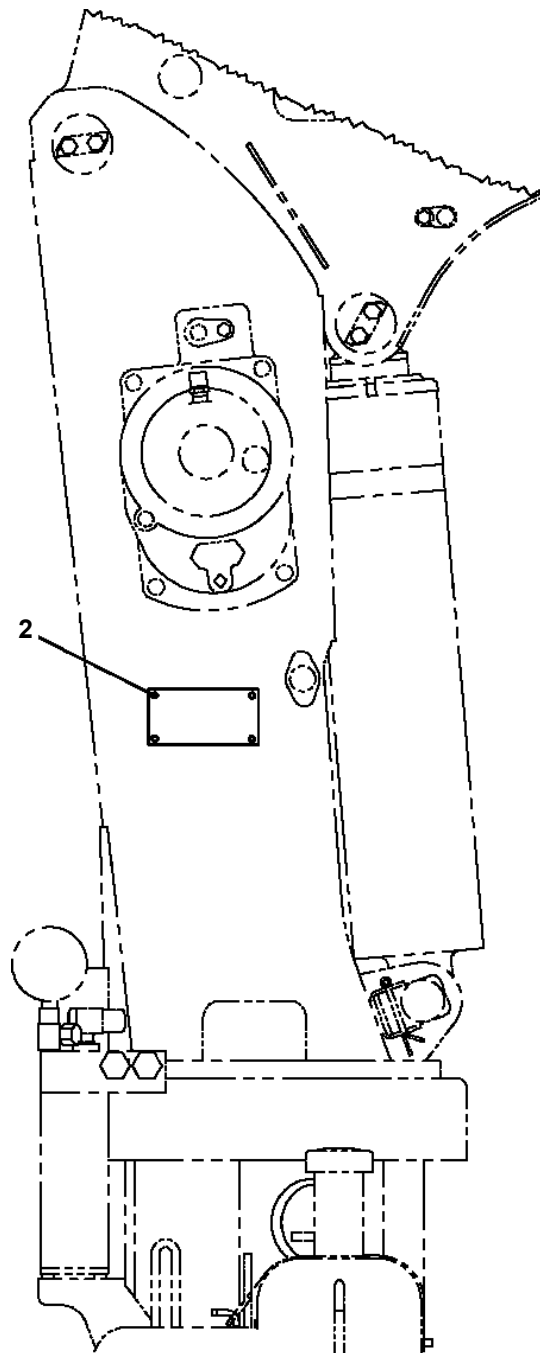
**PK2001329-00 FRAME UNIT (2)**



TM-ZE500 41050504044A FRAME/HOOK-IN,MANUAL VALVE (G)  
PN1140199-00 SWITCH ASSY (GREEN:PANASONIC)



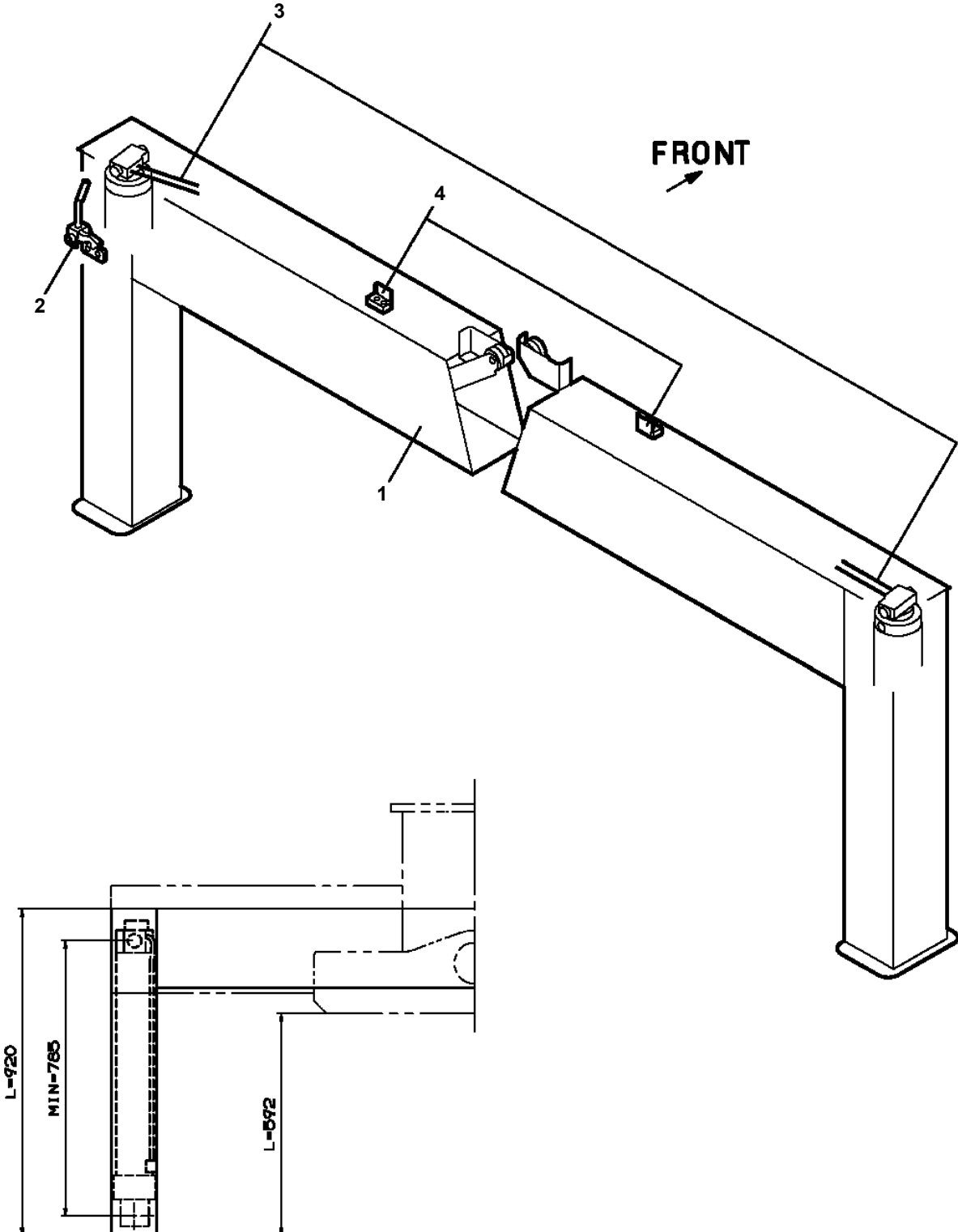
TM-ZE500 41050504044A FRAME/HOOK-IN, MANUAL VALVE (G)  
PO1014946-01 PLATE ASSY, NAME (POST)



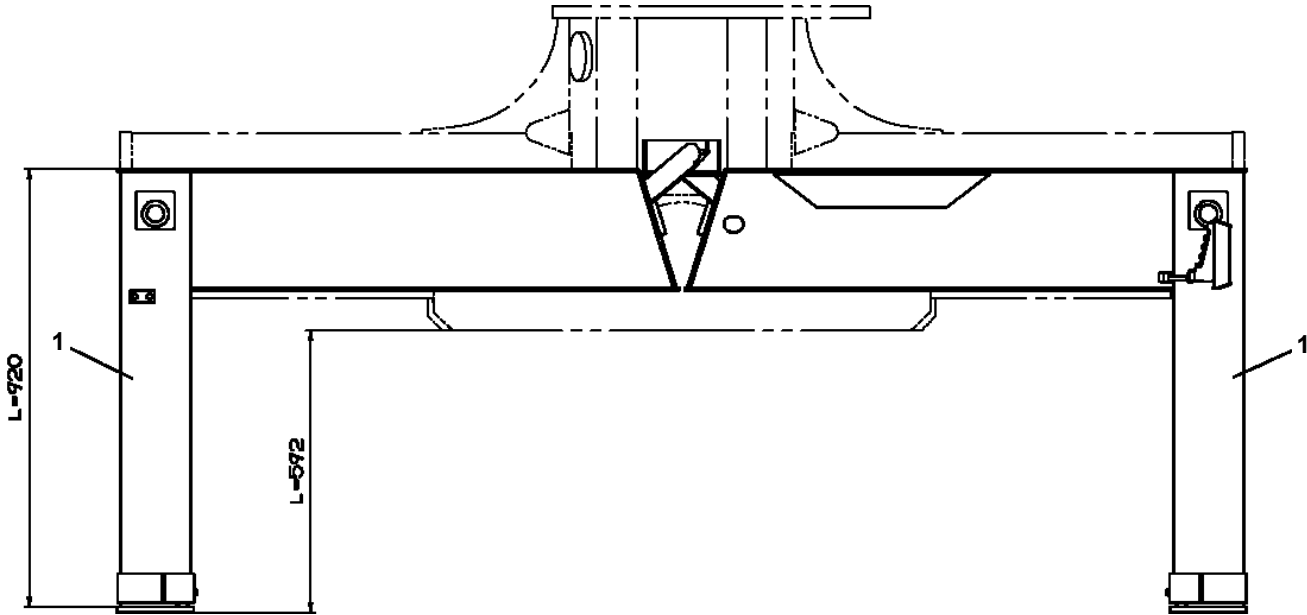
ZS220  
(ポスト前面)

**TM-ZE500 41050504044A FRAME/HOOK-IN,MANUAL VALVE (G)**

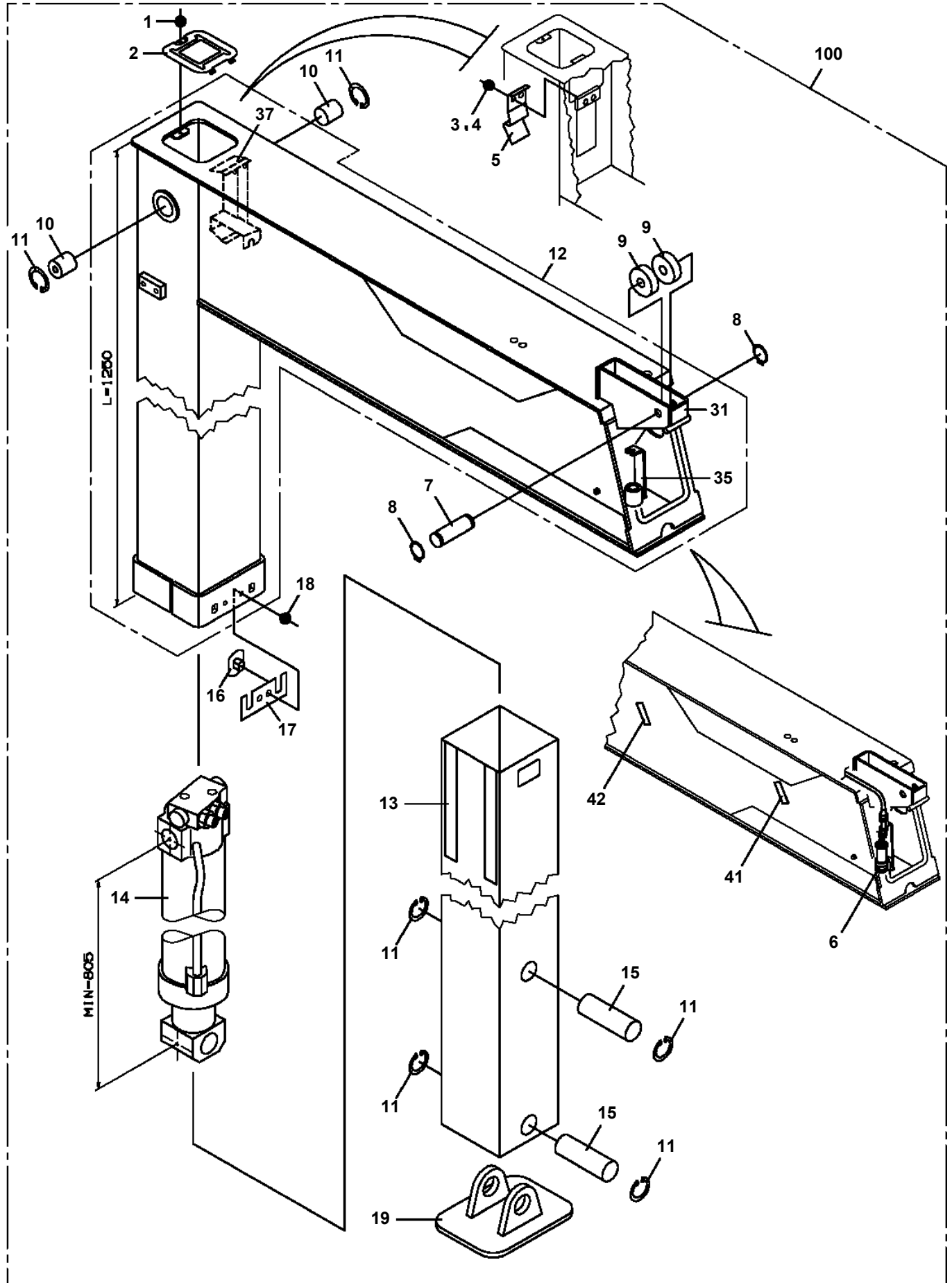
**PO5270018-02 OUTRIGGER ASSY (L=592,MIN=785)**



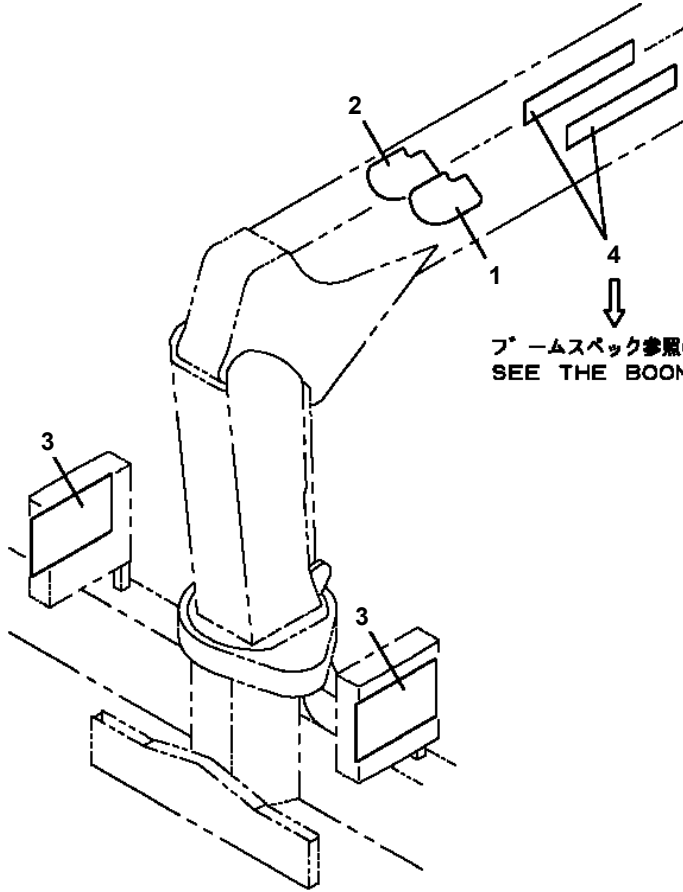
TM-ZE500 41050504044A FRAME/HOOK-IN,MANUAL VALVE (G)  
PO5270053-01 OUTRIGGER ASSY (L=592,CASE:L=920)



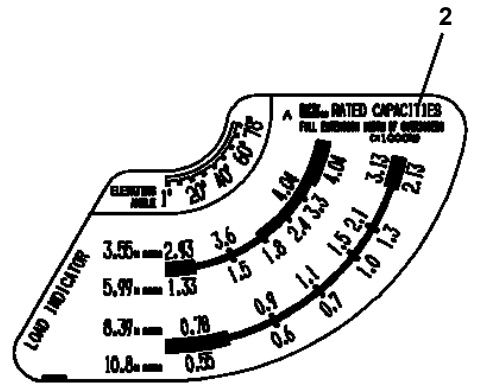
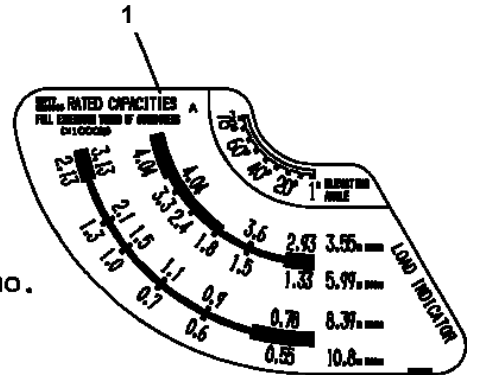
TM-ZE500 41050504044A FRAME/HOOK-IN, MANUAL VALVE (G)  
PO5270236-00 OUTRIGGER ASSY (CASE:L=1250,MIN=805)



TM-ZE500 41050504044A FRAME/HOOK-IN, MANUAL VALVE (G)  
 PP5200217-01 PERFORMANCE DATA (ZE504G,A)



ブームスペック参照のこと  
 SEE THE BOOM SPEC. NO.



**WARNING / Crane operation**  
 Directly under the operation crane boom operation.  
 Structure over a mechanical structure before operation.  
 This and 100% load capacity the crane should not be used.  
 Availability of the crane should be confirmed by the operator, then operation, and load on the boom end. The special attention to stability when operating with the crane over to an overhauled crane.

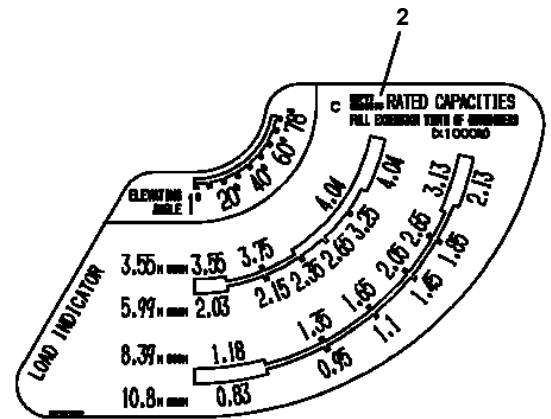
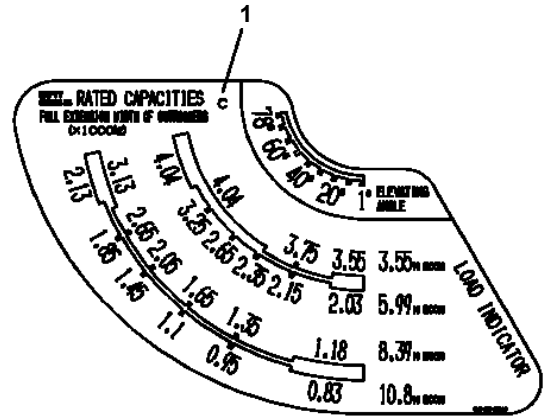
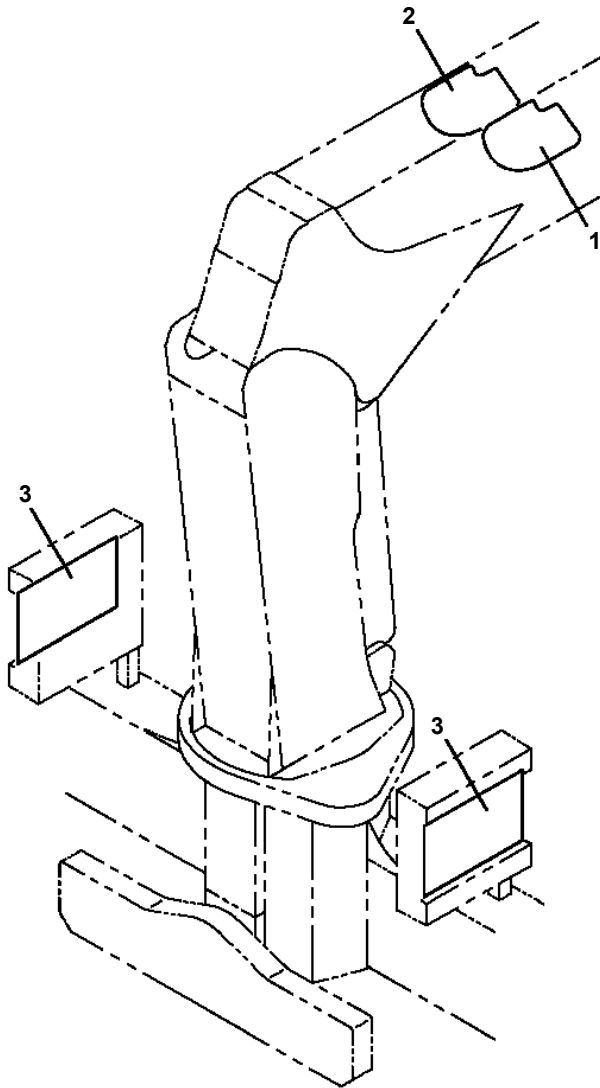
**NOTE / Load indicator**  
 When load indicator indicates the size of the load and also it is being indicated.  
 When load indicator is being indicated, the load should be held at the crane end so that the load indicator points at "0".  
 When the crane is to be used as a load of the crane, the crane should be held.

**WARNING / Empty crane rated lifting capacity**  
 When the crane is used in the over-haul area, the crane should not be operated. In this condition, the crane should not be used.  
 When the crane is used in the over-haul area, the crane should not be operated. In this condition, the crane should not be used.  
 When the crane is used in the over-haul area, the crane should not be operated. In this condition, the crane should not be used.

**WARNING / Empty crane rated lifting capacity**  
 When the crane is used in the over-haul area, the crane should not be operated. In this condition, the crane should not be used.  
 When the crane is used in the over-haul area, the crane should not be operated. In this condition, the crane should not be used.  
 When the crane is used in the over-haul area, the crane should not be operated. In this condition, the crane should not be used.

12.5m Boom, 8.0m Boom		6.5m Boom		10.0m Boom	
kg	US TON	kg	US TON	kg	US TON
2.6	5700	2.6	5700	4.0	8800
4.0	8800	4.0	8800	5.0	11000
4.5	9900	4.5	9900	6.0	13200
5.0	11000	5.0	11000	7.0	15400
5.5	12100	5.5	12100	8.0	17600
6.0	13200	6.0	13200	9.0	19800
6.5	14300	6.5	14300	10.0	22000
7.0	15400	7.0	15400	11.0	24200
7.5	16500	7.5	16500	12.0	26400
8.0	17600	8.0	17600	13.0	28600
8.5	18700	8.5	18700	14.0	30800
9.0	19800	9.0	19800	15.0	33000
9.5	20900	9.5	20900	16.0	35200
10.0	22000	10.0	22000	17.0	37400
10.5	23100	10.5	23100	18.0	39600
11.0	24200	11.0	24200	19.0	41800
11.5	25300	11.5	25300	20.0	44000
12.0	26400	12.0	26400	21.0	46200
12.5	27500	12.5	27500	22.0	48400
13.0	28600	13.0	28600	23.0	50600
13.5	29700	13.5	29700	24.0	52800
14.0	30800	14.0	30800	25.0	55000
14.5	31900	14.5	31900	26.0	57200
15.0	33000	15.0	33000	27.0	59400
15.5	34100	15.5	34100	28.0	61600
16.0	35200	16.0	35200	29.0	63800
16.5	36300	16.5	36300	30.0	66000
17.0	37400	17.0	37400	31.0	68200
17.5	38500	17.5	38500	32.0	70400
18.0	39600	18.0	39600	33.0	72600
18.5	40700	18.5	40700	34.0	74800
19.0	41800	19.0	41800	35.0	77000
19.5	42900	19.5	42900	36.0	79200
20.0	44000	20.0	44000	37.0	81400
20.5	45100	20.5	45100	38.0	83600
21.0	46200	21.0	46200	39.0	85800
21.5	47300	21.5	47300	40.0	88000
22.0	48400	22.0	48400	41.0	90200
22.5	49500	22.5	49500	42.0	92400
23.0	50600	23.0	50600	43.0	94600
23.5	51700	23.5	51700	44.0	96800
24.0	52800	24.0	52800	45.0	99000
24.5	53900	24.5	53900	46.0	101200
25.0	55000	25.0	55000	47.0	103400
25.5	56100	25.5	56100	48.0	105600
26.0	57200	26.0	57200	49.0	107800
26.5	58300	26.5	58300	50.0	110000
27.0	59400	27.0	59400	51.0	112200
27.5	60500	27.5	60500	52.0	114400
28.0	61600	28.0	61600	53.0	116600
28.5	62700	28.5	62700	54.0	118800
29.0	63800	29.0	63800	55.0	121000
29.5	64900	29.5	64900	56.0	123200
30.0	66000	30.0	66000	57.0	125400
30.5	67100	30.5	67100	58.0	127600
31.0	68200	31.0	68200	59.0	129800
31.5	69300	31.5	69300	60.0	132000
32.0	70400	32.0	70400	61.0	134200
32.5	71500	32.5	71500	62.0	136400
33.0	72600	33.0	72600	63.0	138600
33.5	73700	33.5	73700	64.0	140800
34.0	74800	34.0	74800	65.0	143000
34.5	75900	34.5	75900	66.0	145200
35.0	77000	35.0	77000	67.0	147400
35.5	78100	35.5	78100	68.0	149600
36.0	79200	36.0	79200	69.0	151800
36.5	80300	36.5	80300	70.0	154000
37.0	81400	37.0	81400	71.0	156200
37.5	82500	37.5	82500	72.0	158400
38.0	83600	38.0	83600	73.0	160600
38.5	84700	38.5	84700	74.0	162800
39.0	85800	39.0	85800	75.0	165000
39.5	86900	39.5	86900	76.0	167200
40.0	88000	40.0	88000	77.0	169400
40.5	89100	40.5	89100	78.0	171600
41.0	90200	41.0	90200	79.0	173800
41.5	91300	41.5	91300	80.0	176000
42.0	92400	42.0	92400	81.0	178200
42.5	93500	42.5	93500	82.0	180400
43.0	94600	43.0	94600	83.0	182600
43.5	95700	43.5	95700	84.0	184800
44.0	96800	44.0	96800	85.0	187000
44.5	97900	44.5	97900	86.0	189200
45.0	99000	45.0	99000	87.0	191400
45.5	100100	45.5	100100	88.0	193600
46.0	101200	46.0	101200	89.0	195800
46.5	102300	46.5	102300	90.0	198000
47.0	103400	47.0	103400	91.0	200200
47.5	104500	47.5	104500	92.0	202400
48.0	105600	48.0	105600	93.0	204600
48.5	106700	48.5	106700	94.0	206800
49.0	107800	49.0	107800	95.0	209000
49.5	108900	49.5	108900	96.0	211200
50.0	110000	50.0	110000	97.0	213400
50.5	111100	50.5	111100	98.0	215600
51.0	112200	51.0	112200	99.0	217800
51.5	113300	51.5	113300	100.0	220000
52.0	114400	52.0	114400	101.0	222200
52.5	115500	52.5	115500	102.0	224400
53.0	116600	53.0	116600	103.0	226600
53.5	117700	53.5	117700	104.0	228800
54.0	118800	54.0	118800	105.0	231000
54.5	119900	54.5	119900	106.0	233200
55.0	121000	55.0	121000	107.0	235400
55.5	122100	55.5	122100	108.0	237600
56.0	123200	56.0	123200	109.0	239800
56.5	124300	56.5	124300	110.0	242000
57.0	125400	57.0	125400	111.0	244200
57.5	126500	57.5	126500	112.0	246400
58.0	127600	58.0	127600	113.0	248600
58.5	128700	58.5	128700	114.0	250800
59.0	129800	59.0	129800	115.0	253000
59.5	130900	59.5	130900	116.0	255200
60.0	132000	60.0	132000	117.0	257400
60.5	133100	60.5	133100	118.0	259600
61.0	134200	61.0	134200	119.0	261800
61.5	135300	61.5	135300	120.0	264000
62.0	136400	62.0	136400	121.0	266200
62.5	137500	62.5	137500	122.0	268400
63.0	138600	63.0	138600	123.0	270600
63.5	139700	63.5	139700	124.0	272800
64.0	140800	64.0	140800	125.0	275000
64.5	141900	64.5	141900	126.0	277200
65.0	143000	65.0	143000	127.0	279400
65.5	144100	65.5	144100	128.0	281600
66.0	145200	66.0	145200	129.0	283800
66.5	146300	66.5	146300	130.0	286000
67.0	147400	67.0	147400	131.0	288200
67.5	148500	67.5	148500	132.0	290400
68.0	149600	68.0	149600	133.0	292600
68.5	150700	68.5	150700	134.0	294800
69.0	151800	69.0	151800	135.0	297000
69.5	152900	69.5	152900	136.0	299200
70.0	154000	70.0	154000	137.0	301400
70.5	155100	70.5	155100	138.0	303600
71.0	156200	71.0	156200	139.0	305800
71.5	157300	71.5	157300	140.0	308000
72.0	158400	72.0	158400	141.0	310200
72.5	159500	72.5	159500	142.0	312400
73.0	160600	73.0	160600	143.0	314600
73.5	161700	73.5	161700	144.0	316800
74.0	162800	74.0	162800	145.0	319000
74.5	163900	74.5	163900	146.0	321200
75.0	165000	75.0	165000	147.0	323400
75.5	166100	75.5	166100	148.0	325600
76.0	167200	76.0	167200	149.0	327800
76.5	168300	76.5	168300	150.0	330000
77.0	169400	77.0	169400	151.0	332200
77.5	170500	77.5	170500	152.0	334400
78.0	171600	78.0	171600	153.0	336600
78.5	172700	78.5	172700	154.0	338800
79.0	173800	79.0	173800	155.0	341000
79.5	174900	79.5	174900	156.0	343200
80.0	176000	80.0	176000	157.0	345400
80.5	177100	80.5	177100	158.0	347600
81.0	178200	81.0	178200	159.0	349800
81.5	179300	81.5	179300	160.0	352000
82.0	180400	82.0	180400	161.0	354200
82.5	181500	82.5	181500	162.0	356400

**TM-ZE500 41050504044A FRAME/HOOK-IN, MANUAL VALVE (G)  
PP5200469-00 PERFORMANCE DATA (ZE504GMH,C/4040KG)**



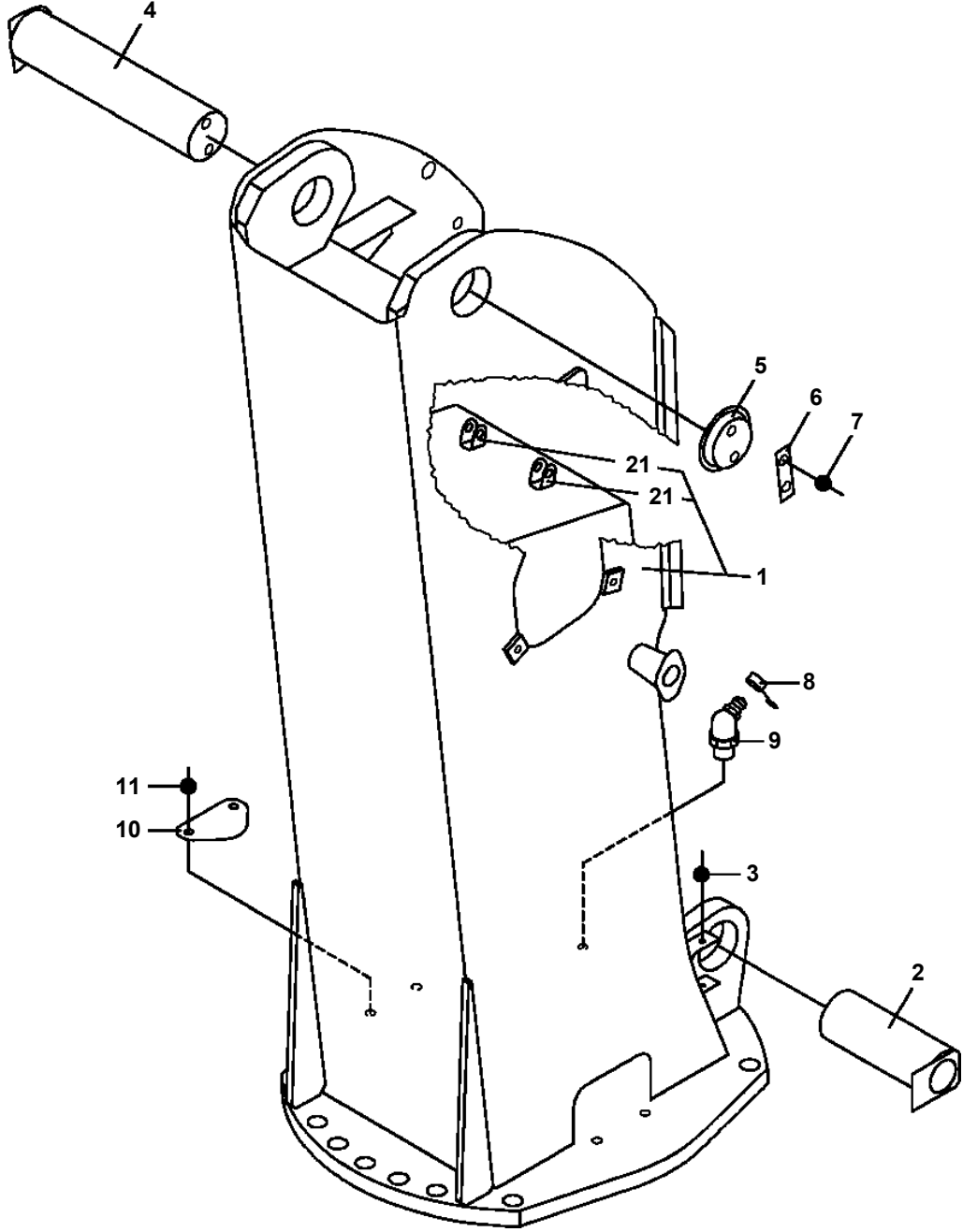
**3**

Flow rate (kN)	1°			20°		
	A	B	C	A	B	C
2.15	1.85	1.45	1.1	1.1	0.83	0.83
2.65	2.05	1.65	1.35	1.35	1.05	1.05
3.15	2.35	1.95	1.65	1.65	1.35	1.35
3.55	2.65	2.25	1.95	1.95	1.65	1.65
3.75	2.85	2.45	2.15	2.15	1.85	1.85
4.04	3.15	2.75	2.45	2.45	2.15	2.15
4.04	3.15	2.75	2.45	2.45	2.15	2.15
5.99	4.55	3.95	3.35	3.35	2.95	2.95
8.39	7.35	6.35	5.35	5.35	4.65	4.65
10.8	9.75	8.35	7.05	7.05	6.05	6.05

**MAX. RATED CAPACITIES**  
FULL EXTENSION STATE OF OPERATION  
D:1000mm

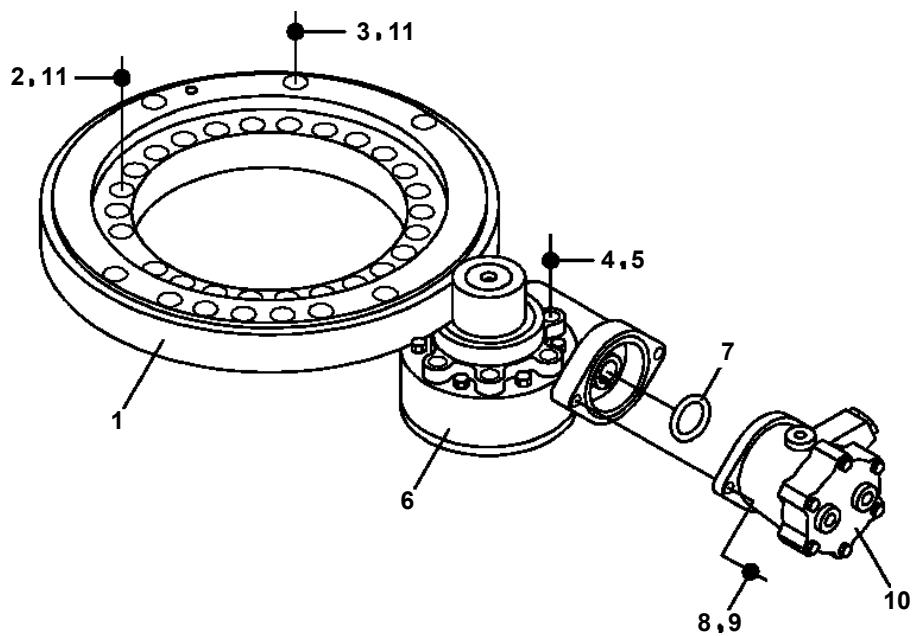
**LOAD INDICATOR**

TM-ZE500 41050504044A FRAME/HOOK-IN,MANUAL VALVE (G)  
PP5300002-01 POST ASSY





TM-ZE500 41050504044A FRAME/HOOK-IN,MANUAL VALVE (G)  
PS5500008-00 SWING ASSY



CLICK HERE TO **DOWNLOAD** THE COMPLETE MANUAL

- Thank you very much for reading the preview of the manual.
- You can download the complete manual from: [www.heydownloads.com](http://www.heydownloads.com) by clicking the link below



- Please note: If there is no response to CLICKING the link, please download this PDF first and then click on it.

CLICK HERE TO **DOWNLOAD** THE COMPLETE MANUAL