

TM-ZE500 41050501154A FRAME/PRIM ECO

PB000221-01 SYSTEM (ZE500,DOMESTIC)

ASSEMBLY

CLICK HERE TO **DOWNLOAD** THE COMPLETE MANUAL

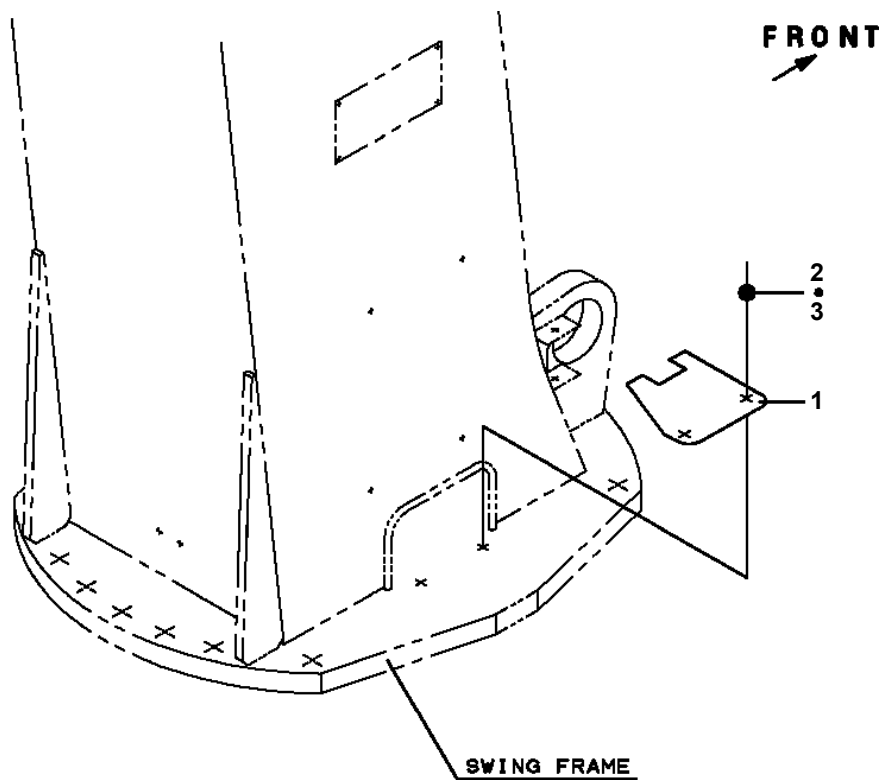
- Thank you very much for reading the preview of the manual.
- You can download the complete manual from: www.heydownloads.com by clicking the link below



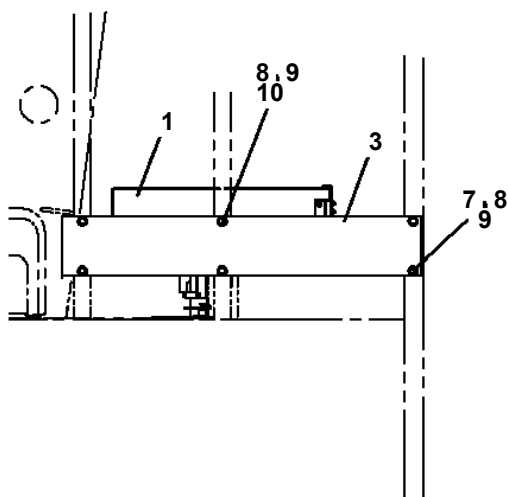
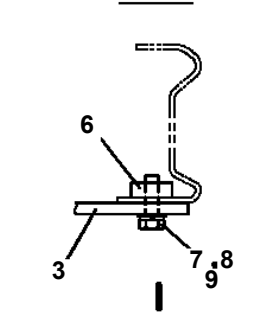
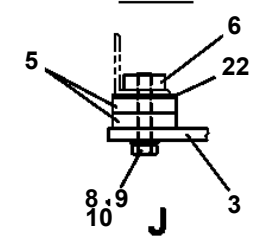
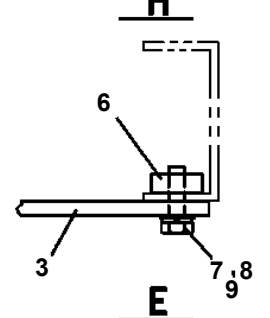
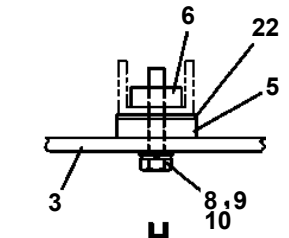
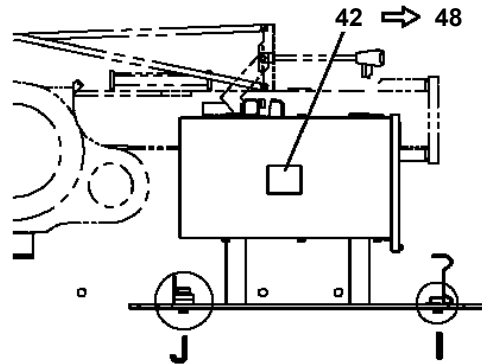
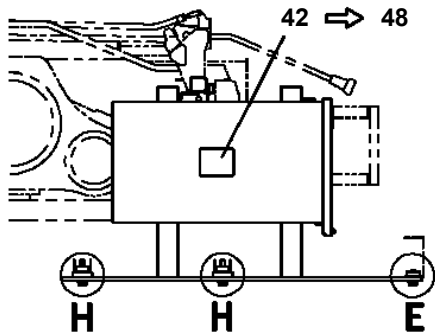
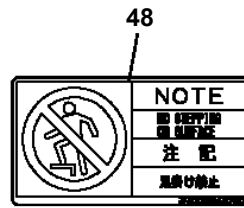
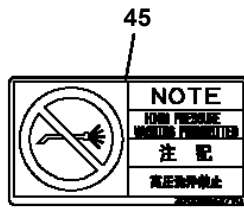
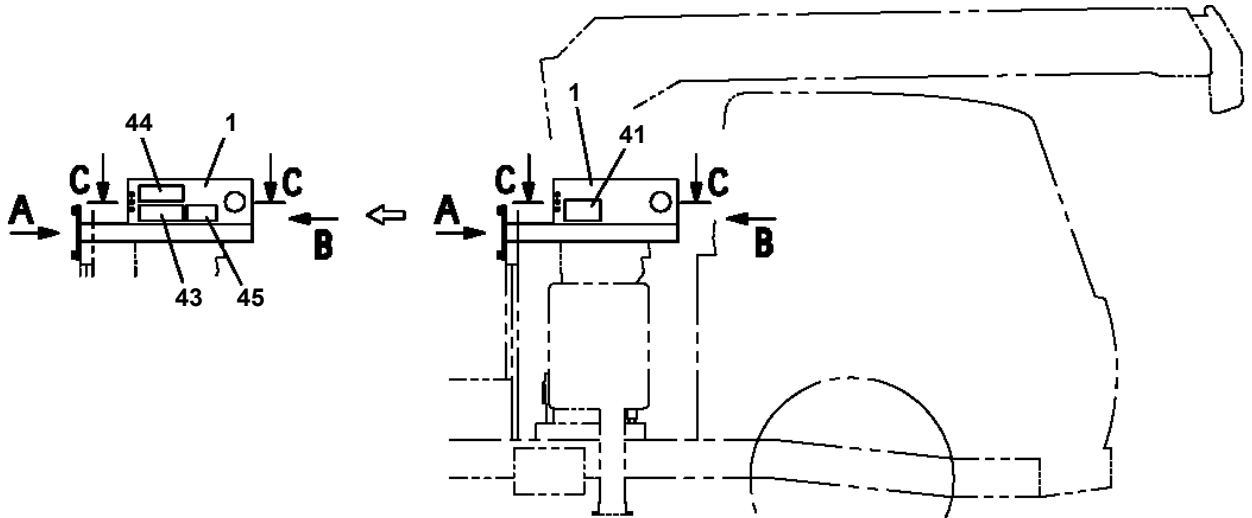
- Please note: If there is no response to CLICKING the link, please download this PDF first and then click on it.

CLICK HERE TO **DOWNLOAD** THE COMPLETE MANUAL

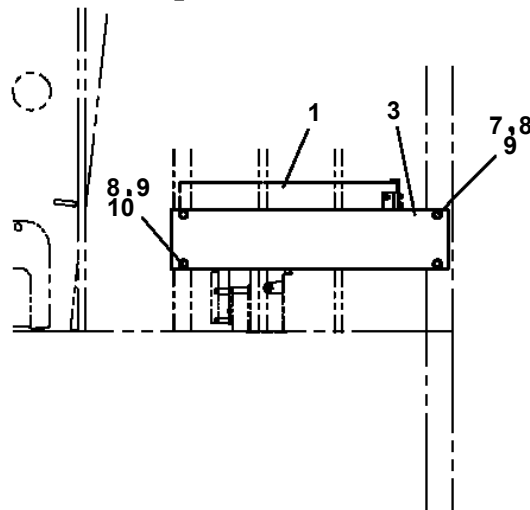
TM-ZE500 41050501154A FRAME/PRIM ECO
PB1290013-01 STOPPER,ROTARY JOINT



TM-ZE500 41050501154A FRAME/PRIM ECO
 PB1380332-03 POWER SUPPLY (100V POWER SOURCE/1500W)



小型車系の場合



中型・大型車系の場合

TM-ZE500 41050501154A FRAME/PRIM ECO

| Pos No. | Parts No | Parts Name | Qty | Unit | Technical Data | Serial No (Start) | Serial No (End) | Remark |
|---------|-------------|-------------------------|-----|------|----------------|-------------------|-----------------|--------|
| 1 | 36653330000 | PUMP,HYDRAULIC (52CC:L) | 1 | | | | | |

TM-ZE500 41050501154A FRAME/PRIM ECO

| Pos No. | Parts No | Parts Name | Qty | Unit | Technical Data | Serial No (Start) | Serial No (End) |
|---------|-------------|--------------------------------|-----|------|----------------|-------------------|-----------------|
| 1 | 36620990000 | VALVE,PILOT CHECK | 1 | | | | |
| 2 | 90172110035 | BOLT,HEXAGON SOCKET | 2 | | M10X35 | | |
| 3 | 90172110025 | BOLT,HEXAGON SOCKET | 4 | | M10X25 | | |
| 4 | 90302041001 | WASHER,SPRING | 4 | | 10 | | |
| 5 | 36032650001 | CYLINDER,JACK | 1 | | | | |
| 11 | 36032651000 | CYLINDER | 1 | | | | |
| 12 | 80136363071 | PIN,SPLIT | 1 | | 6.3X71 | | |
| 13 | 37001600000 | NUT,CASTLE | 1 | | M36 | | |
| 14 | 36032654000 | ROD | 1 | | | | |
| 15 | 91350207500 | BEARING,PLAIN (WITH PACKINGX2) | 1 | | | | |
| 16 | 91002803400 | O-RING | 1 | | 1B P34 | | |
| 17 | 36032652000 | PISTON | 1 | | | | |
| 18 | 36030643000 | COVER,ROD | 1 | | | | |
| 19 | 91002907000 | O-RING | 1 | | 1B G70 | | |
| 20 | 91694006000 | PACKING | 1 | | | | |
| 21 | 91410206002 | RING,BACKUP | 1 | | | | |
| 22 | 36010130030 | WASHER | 1 | | | | |
| 23 | 91660006000 | SEAL,DUST | 2 | | | | |
| 24 | 80622000600 | RING,RITAINING | 1 | | SP60 | | |
| 30 | 36032659900 | PACKING SET | 1 | | 60X75 | | |

TM-ZE500 41050501154A FRAME/PRIM ECO

| Pos No. | Parts No | Parts Name | Qty | Unit | Technical Data | Serial No (Start) | Serial No (End) | Remarks | Pages |
|---------|-------------|--------------|-----|------|----------------|-------------------|-----------------|---------|-------|
| 11 | 36806245020 | PANEL | 1 | | | | | | |
| 900 | 36806571000 | CONTROL UNIT | 1 | | | | | | |

TM-ZE500 41050501154A FRAME/PRIM ECO

| Pos No. | Parts No | Parts Name | Qty | Unit | Technical Data | Serial No (Start) | Serial No (End) |
|---------|-------------|--------------------------------|-----|------|----------------|-------------------|-----------------|
| 1 | 82456101000 | NIPPLE,GREASE | 2 | | A-PT1/8 | | |
| 2 | 37000403110 | BEARING,PLAIN | 4 | | | | |
| 3 | 36026221000 | PISTON | 1 | | | | |
| 4 | 91350216000 | BEARING,PLAIN (WITH PACKINGX2) | 1 | | | | |
| 5 | 91002910500 | O-RING | 1 | | 1B G105 | | |
| 6 | 36028209510 | CYLINDER ASSY | 1 | | | | |
| 7 | 36026229520 | ROD ASSY | 1 | | | | |
| 8 | 37000403900 | BEARING,PLAIN | 1 | | | | |
| 9 | 91002815000 | O-RING | 1 | | 1B P150 | | |
| 10 | 36026469530 | COVER,ROD | 1 | | | | |
| 11 | 91694111000 | PACKING | 1 | | | | |
| 12 | 91410211002 | RING,BACKUP | 1 | | | | |
| 13 | 91660011000 | SEAL,DUST | 1 | | | | |
| 14 | 80622001100 | RING,RITAINING | 1 | | SP110 | | |
| 15 | 80612111180 | RING,RITAINING | 1 | | AR118 | | |
| 30 | 36028209900 | PACKING SET | 1 | | 110X160 | | |
| 50 | 36028200000 | CYLINDER ASSY,DERRICK | 1 | | | | |

TM-ZE500 41050501154A FRAME/PRIM ECO

| Pos No. | Parts No | Parts Name | Qty | Unit | Technical Data | Serial No (Start) | Serial No (End) | Remark |
|---------|-------------|-----------------------|-----|------|----------------|-------------------|-----------------|--------|
| 1 | 90171110040 | BOLT | 2 | | M10X40 | | | |
| 2 | 90302041001 | WASHER,SPRING | 2 | | 10 | | | |
| 3 | 36606510002 | VALVE,COUNTERBALANCE | 1 | | | | | |
| 4 | 36028200000 | CYLINDER ASSY,DERRICK | 1 | | | | | |
| 5 | 82400000459 | CAP | 2 | | | | | |
| 6 | 80430620600 | JOINT (WITH O-RING) | 2 | | L,G3/8-G3/8 | | | |
| 21 | 91002801400 | O-RING | 2 | | 1B P14 | | | |
| 50 | 31241460000 | DERRICK ASSY | 1 | | | | | |

TM-ZE500 41050501154A FRAME/PRIM ECO

| Pos No. | Parts No | Parts Name | Qty | Unit | Technical Data | Serial No (Start) | Serial No |
|---------|-------------|-------------------------------------|-----|------|----------------|-------------------|-----------|
| 1 | 31362273100 | HARNESS | 1 | | | | |
| 2 | 36150070000 | DETECTOR,LOAD | 2 | | | | |
| 3 | 90131506020 | BOLT,HEXAGON SOCKET | 4 | | M6X20 | | |
| 4 | 36120580000 | TRANSMITTER ASSY,SIGNAL (ASSY ONLY) | 1 | | | | |
| 5 | 91810130250 | FASTENER | 11 | | | | |
| 6 | 91850310405 | CLAMP (BLACK) | 2 | | | | |
| 7 | 90303070601 | WASHER,PLAIN | 5 | | 6 | | |
| 8 | 31361943200 | JOINT | 1 | | | | |
| 9 | 91002801100 | O-RING | 2 | | 1B P11 | | |
| 10 | 90171110070 | BOLT | 2 | | M10X70 | | |
| 11 | 90302041001 | WASHER,SPRING | 2 | | 10 | | |
| 12 | 90303071001 | WASHER,PLAIN | 2 | | 10 | | |
| 13 | 82108501340 | SWITCH | 1 | | | | |
| 14 | 90101206014 | BOLT | 1 | | M6X14 | | |
| 15 | 80192486014 | SCREW,MACHINE (WITH WASHER) | 1 | | M6X14 | | |
| 16 | 82100002596 | RELAY | 1 | | | | |
| 17 | 90280200600 | NUT,FLANGE | 1 | | M6 | | |
| 32 | 80316030020 | PLUG | 1 | | PT1/8 | | |

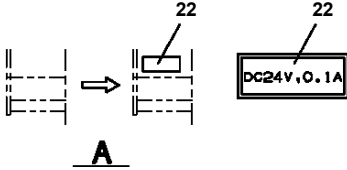
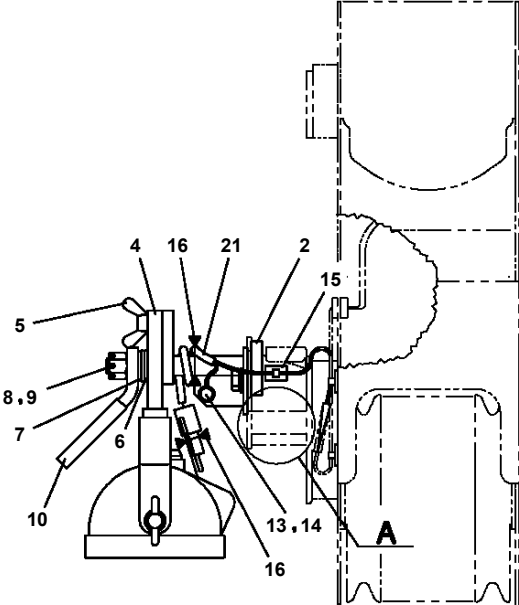
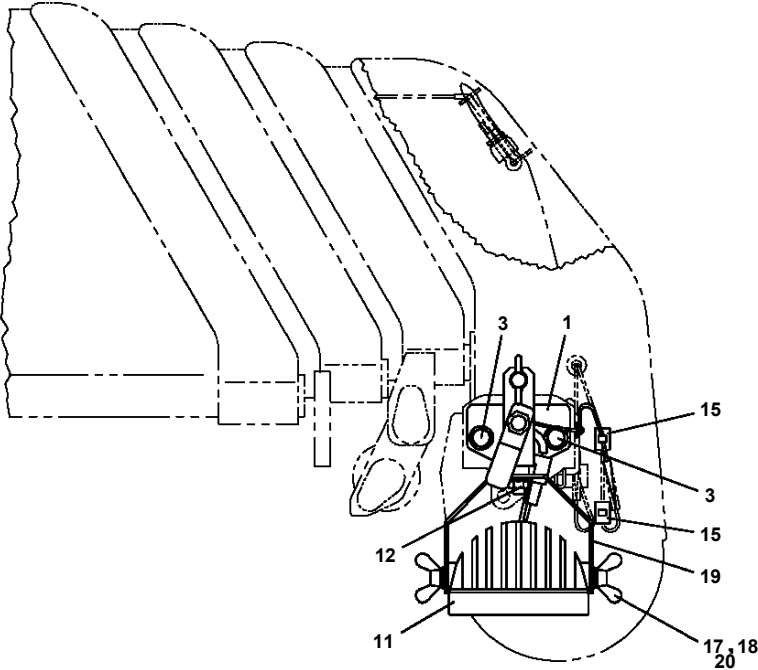
TM-ZE500 41050501154A FRAME/PRIM ECO

| Pos No. | Parts No | Parts Name | Qty | Unit | Technical Data | Serial No (Start) | Serial No (End) | Remarks |
|---------|-------------|----------------------|-----|------|----------------|-------------------|-----------------|---------|
| 1 | 31362353100 | HARNESS | 1 | | | | | |
| 2 | 31731612200 | HARNESS | 1 | | L=1450 | | | |
| 4 | 90186206014 | BOLT,FLANGE | 2 | | M6X14 | | | |
| 5 | 91810130250 | FASTENER | 18 | | | | | |
| 6 | 91850310405 | CLAMP (BLACK) | 5 | | | | | |
| 8 | 31502851200 | HARNESS | 1 | | L=310 | | | |
| 27 | 31476751010 | CONNECTOR | 1 | | | | | |
| 31 | 31656011200 | COVER | 1 | | | | | |
| 32 | 37002227560 | PLATE,NAME (BLACK) | 3 | | D=16 | | | |
| 34 | 90280200600 | NUT,FLANGE | 1 | | M6 | | | |
| 53 | 34354781720 | RELAY (WITH HARNESS) | 1 | | | | | |
| 55 | 80197586012 | SCREW,MACHINE | 1 | | M6X12 | | | |

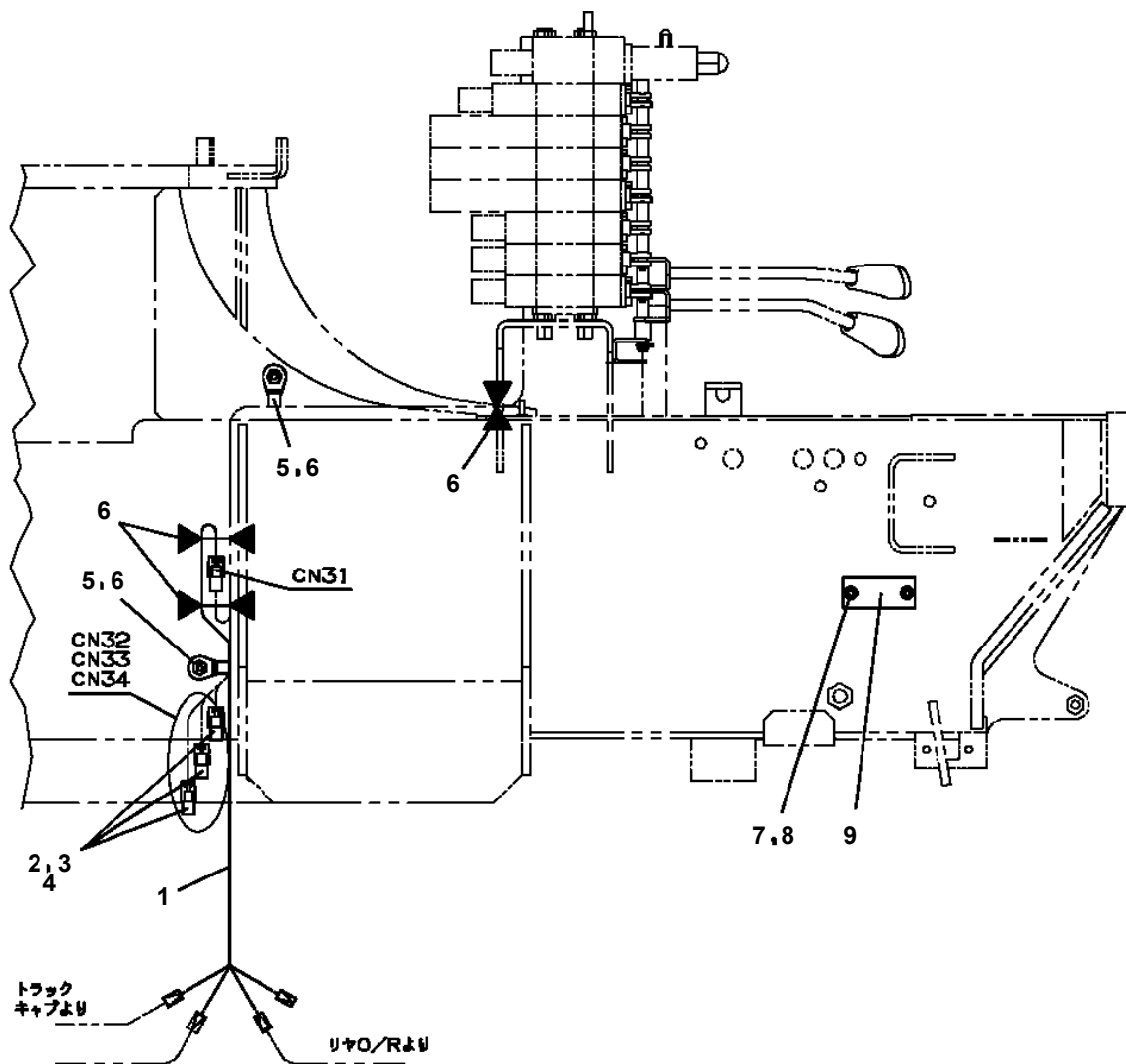
TM-ZE500 41050501154A FRAME/PRIM ECO

| Pos No. | Parts No | Parts Name | Qty | Unit | Technical Data | Serial No (Start) | Serial No (End) | Remarks |
|---------|-------------|-------------------------|-----|------|----------------|-------------------|-----------------|---------|
| 1 | 31731831100 | HARNESS | 1 | | L=2480 | | | |
| 2 | 91810130240 | FASTENER | 10 | | | | | |
| 3 | 82100000745 | FUSE | 1 | | 10A,6.5X30 | | | |
| 4 | 31477311500 | SWITCH ASSY (PANASONIC) | 1 | | | | | |
| 5 | 31501791200 | HARNESS | 1 | | | | | |

**TM-ZE500 41050501154A FRAME/PRIM ECO
PE5020296-01 ELEC.ASSY (BOOM/LED LAMP)**



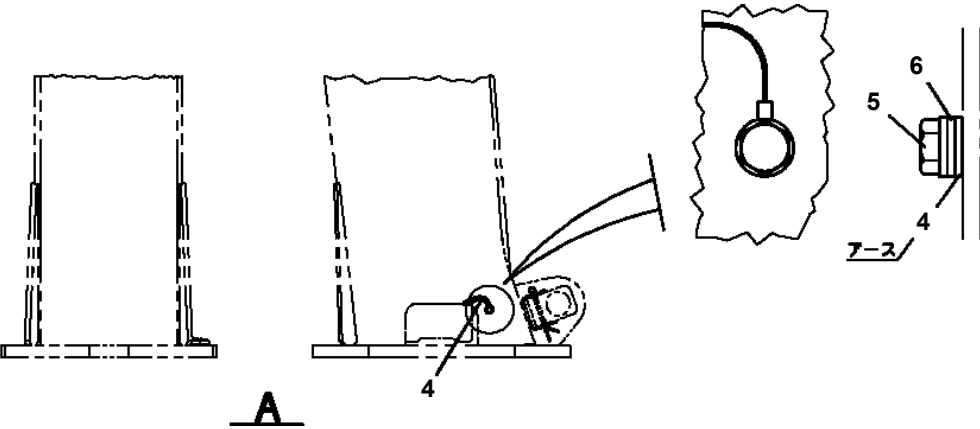
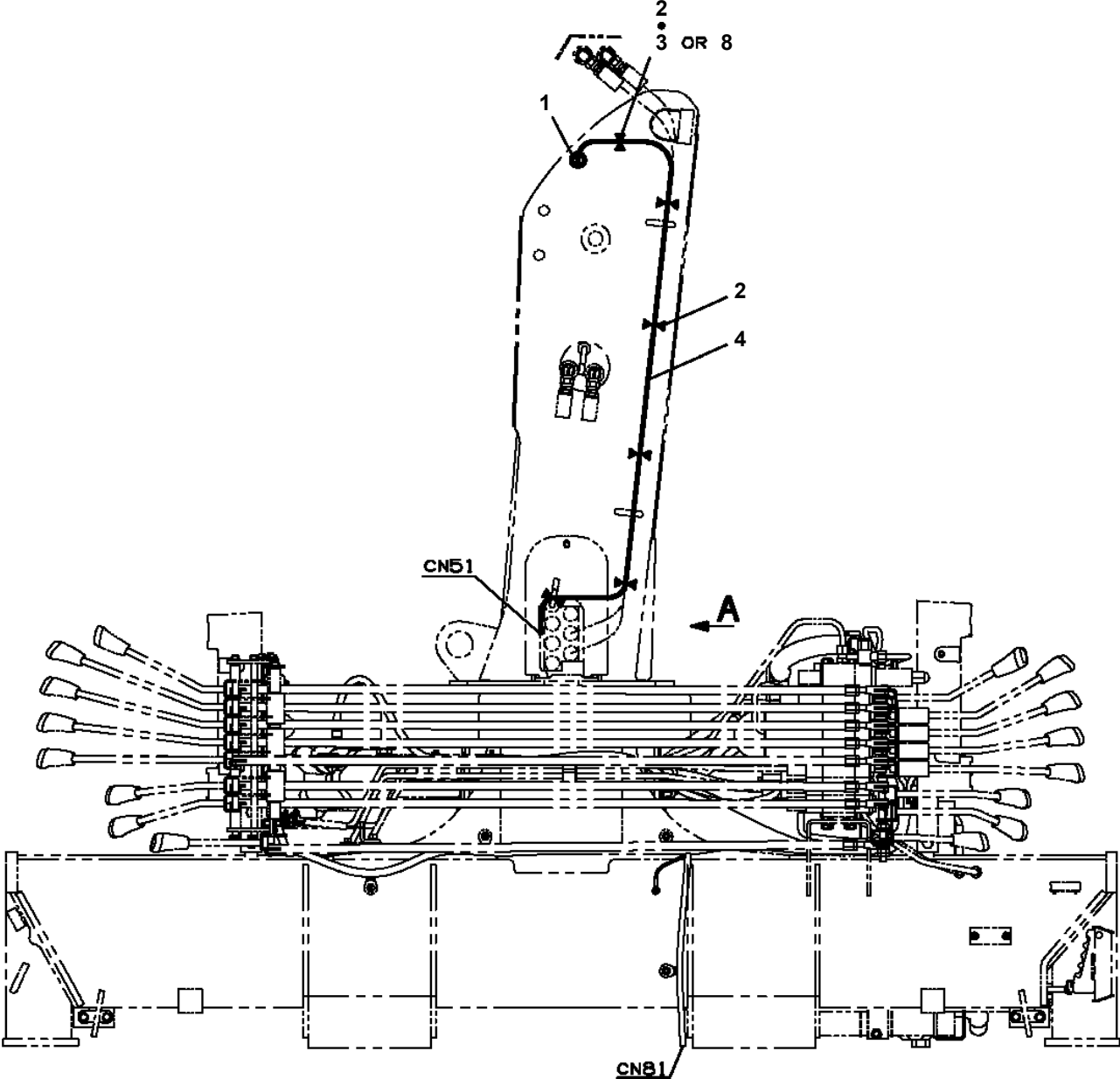
TM-ZE500 41050501154A FRAME/PRIM ECO
PE5020513-00 ELEC.ASSY (MAIN BODY OF CRANE)



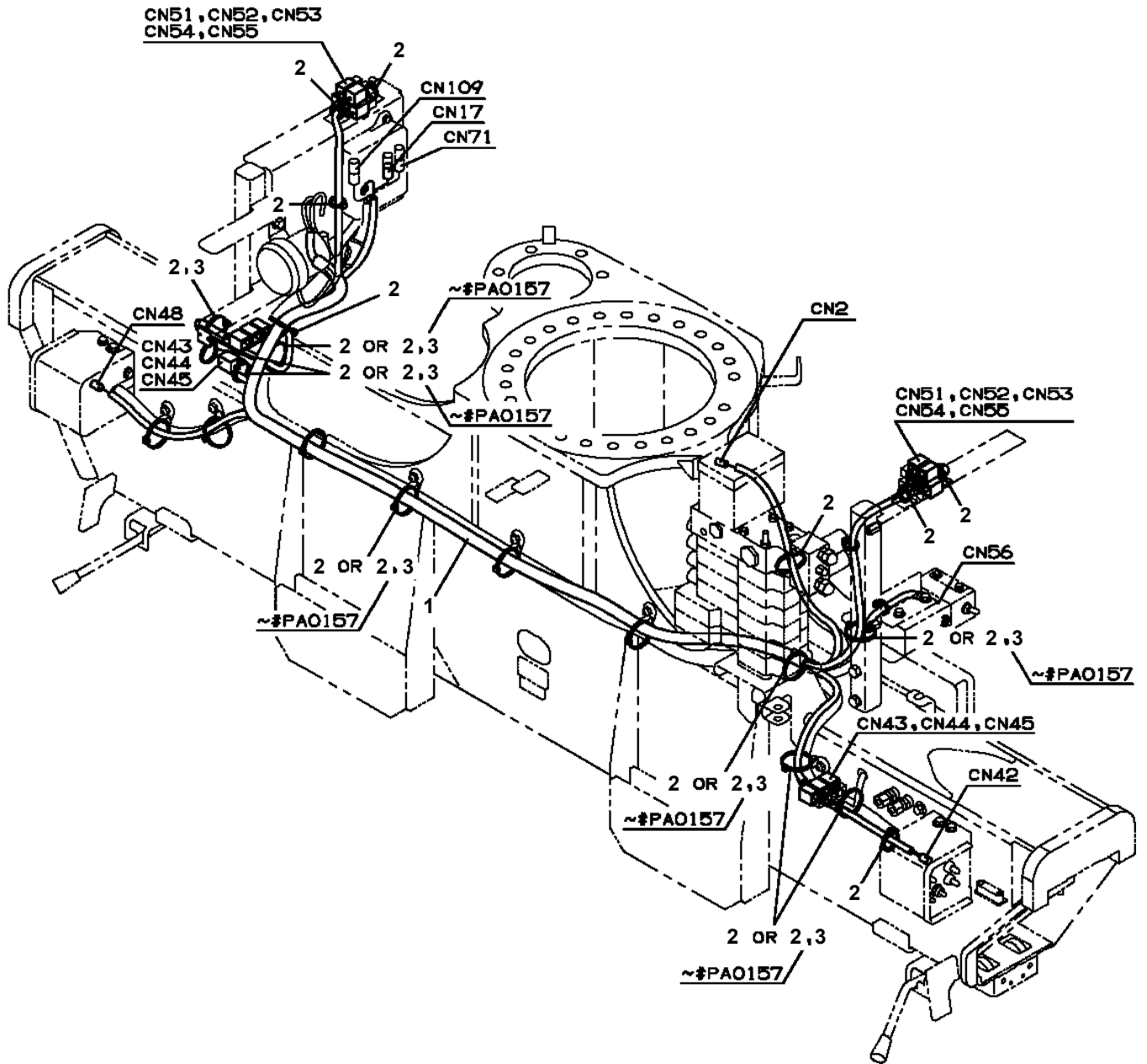
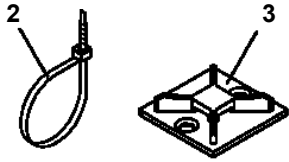
TM-ZE500 41050501154A FRAME/PRIM ECO

| Pos No. | Parts No | Parts Name | Qty | Unit | Technical Data | Serial No (Start) | Serial No |
|---------|-------------|-------------------------------------|-----|------|----------------|-------------------|-----------|
| 1 | 31362393100 | HARNESS | 1 | | | | |
| 3 | 90131506020 | BOLT,HEXAGON SOCKET | 4 | | M6X20 | | |
| 4 | 36120580000 | TRANSMITTER ASSY,SIGNAL (ASSY ONLY) | 1 | | | | |
| 5 | 91810130250 | FASTENER | 4 | | | | |
| 7 | 90303070601 | WASHER,PLAIN | 5 | | 6 | | |
| 14 | 90101206014 | BOLT | 1 | | M6X14 | | |
| 16 | 31504091100 | PLUG | 2 | | | | |
| 17 | 31652991700 | PLUG (4-POLES,FEMALE) | 1 | | | | |
| 18 | 31476751010 | CONNECTOR | 1 | | | | |

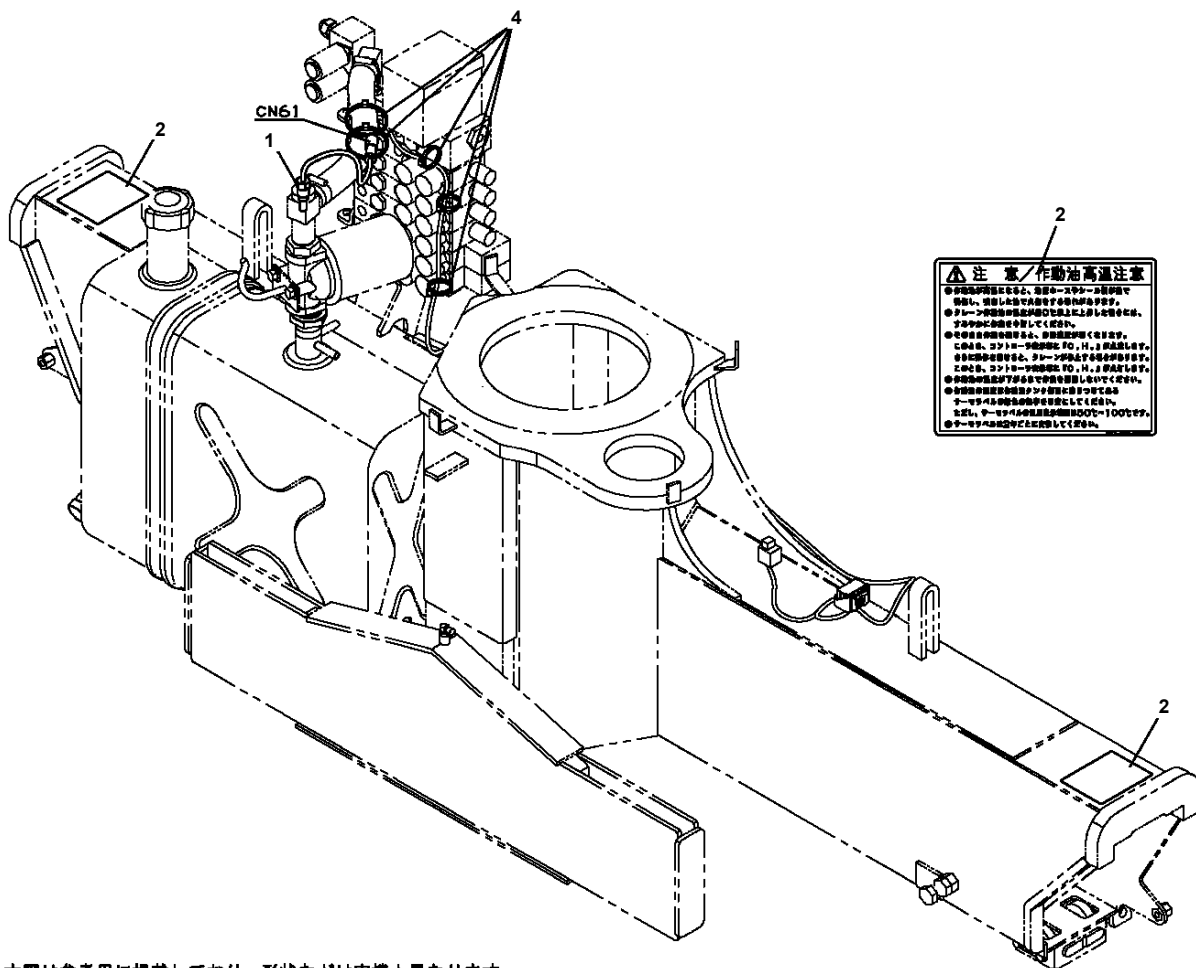
TM-ZE500 41050501154A FRAME/PRIM ECO
PE5020750-00 ELEC.ASSY (FRAME)



TM-ZE500 41050501154A FRAME/PRIM ECO
PE5020804-00 ELEC.ASSY



TM-ZE500 41050501154A FRAME/PRIM ECO
PE5020842-00 ELEC.ASSY



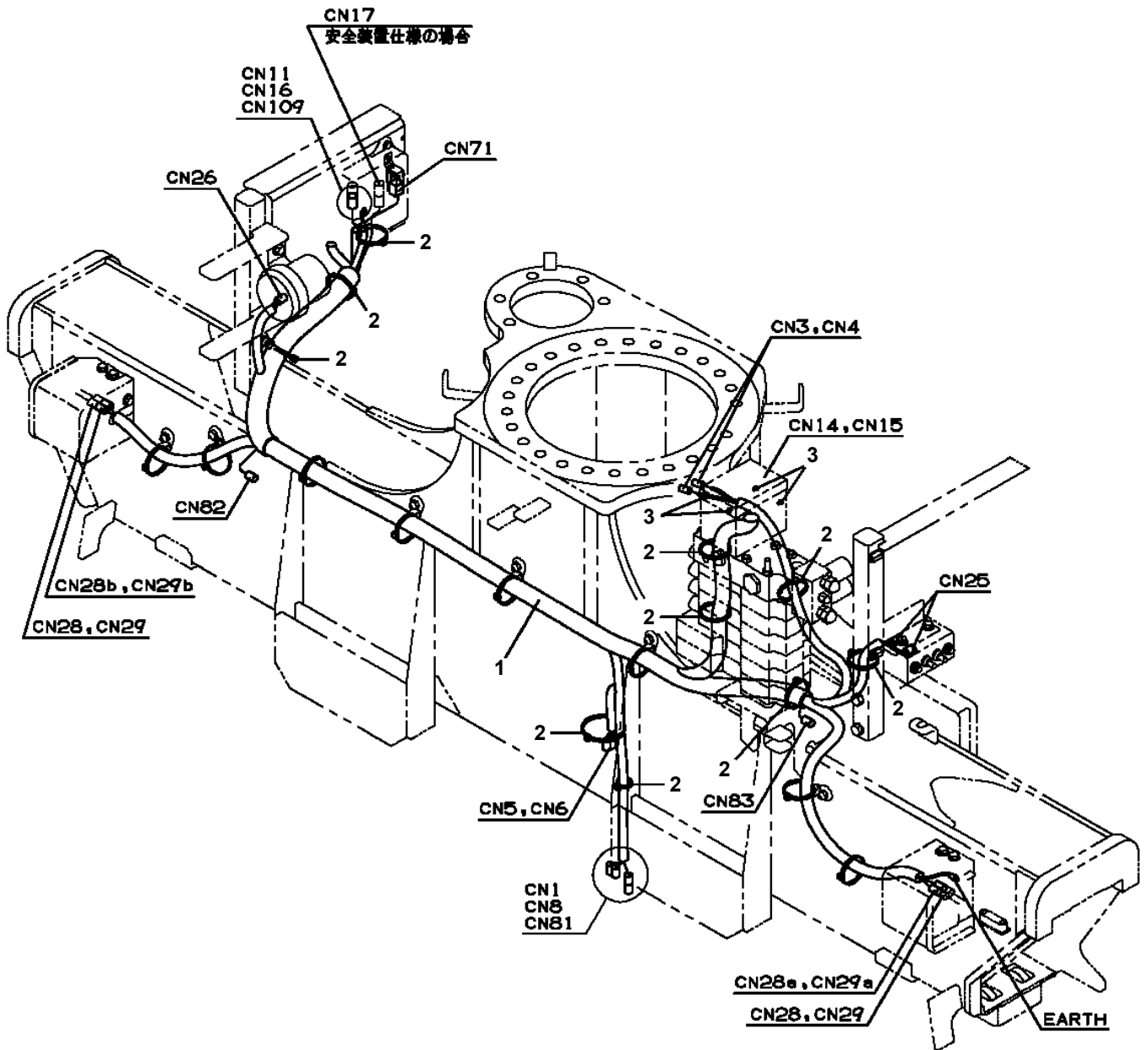
注意/作動油高温注意

● 作動油が高温になると、急激なスチール腐食が起
 動し、損傷した箇所で故障が発生する場合があります。
 ● フォーム付作動油は高温で発生した油膜が剥がれ、
 さらさらとした状態を呈してきます。
 ● 作動油の油質が悪化すると、油路詰りが起こります。
 このため、コントローラ機器 (FD, H, J) を保護します。
 ● 油質不良が原因で、クレーンが停止する場合があります。
 このため、コントローラ機器 (FD, H, J) を保護します。
 ● 作動油の温度が上昇するまで冷却を待たしてください。
 ● 作動油の温度は作動油タンク部にも上昇するため、
 ターゲット油温の範囲を確保してください。
 注記: ターゲット油温は作動油温度 (DOT) = 100℃です。
 ● ターゲット油温に到達するまで待たしてください。

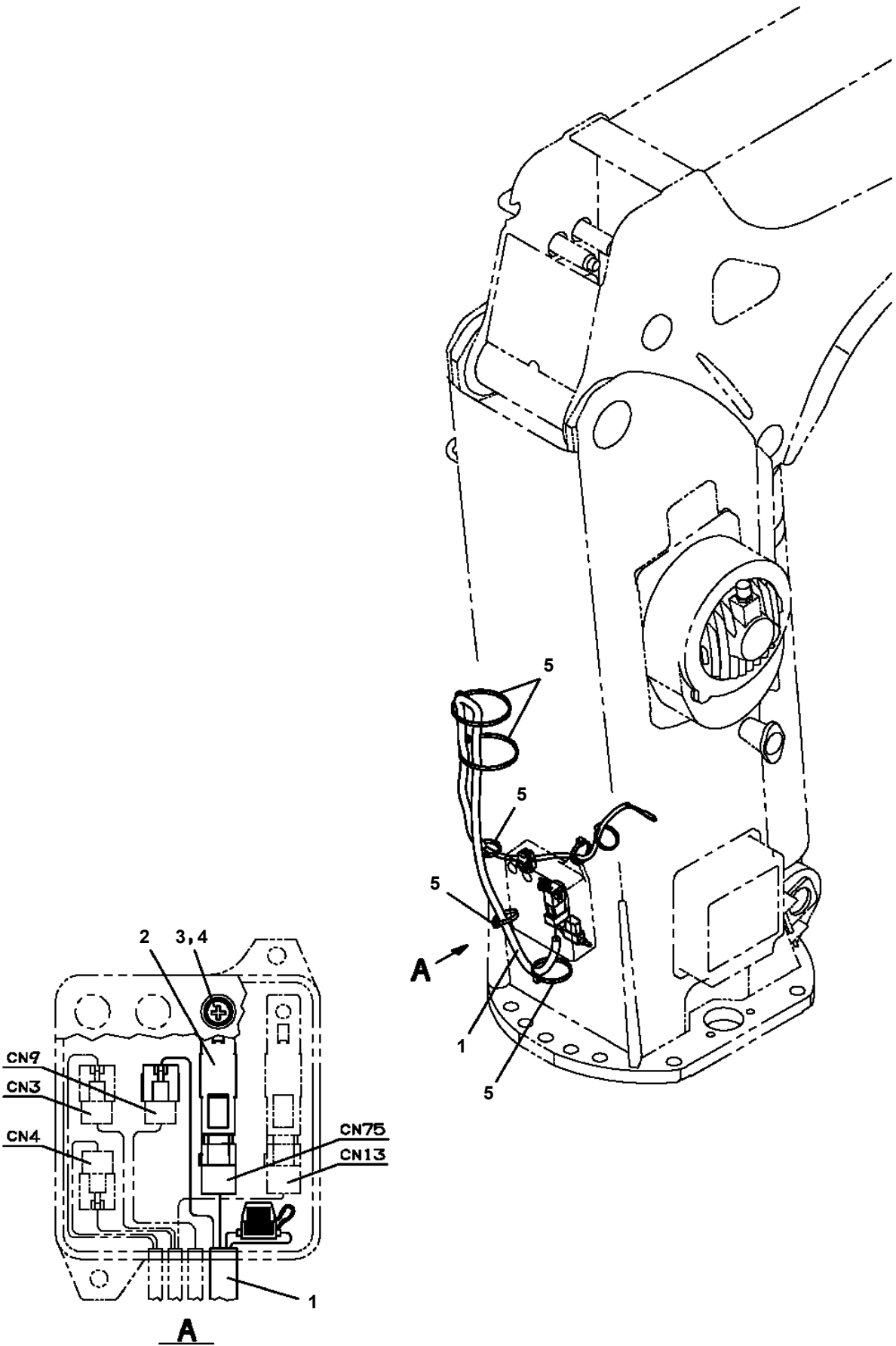
注 意: 本図は参考用に掲載しており、形状などは実機と異なります。

NOTE: THE ABOVE FIGURE IS FOR REFERENCE AND MAY DIFFER
FROM THE ACTUAL APPEARANCE OF YOUR MACHINE.

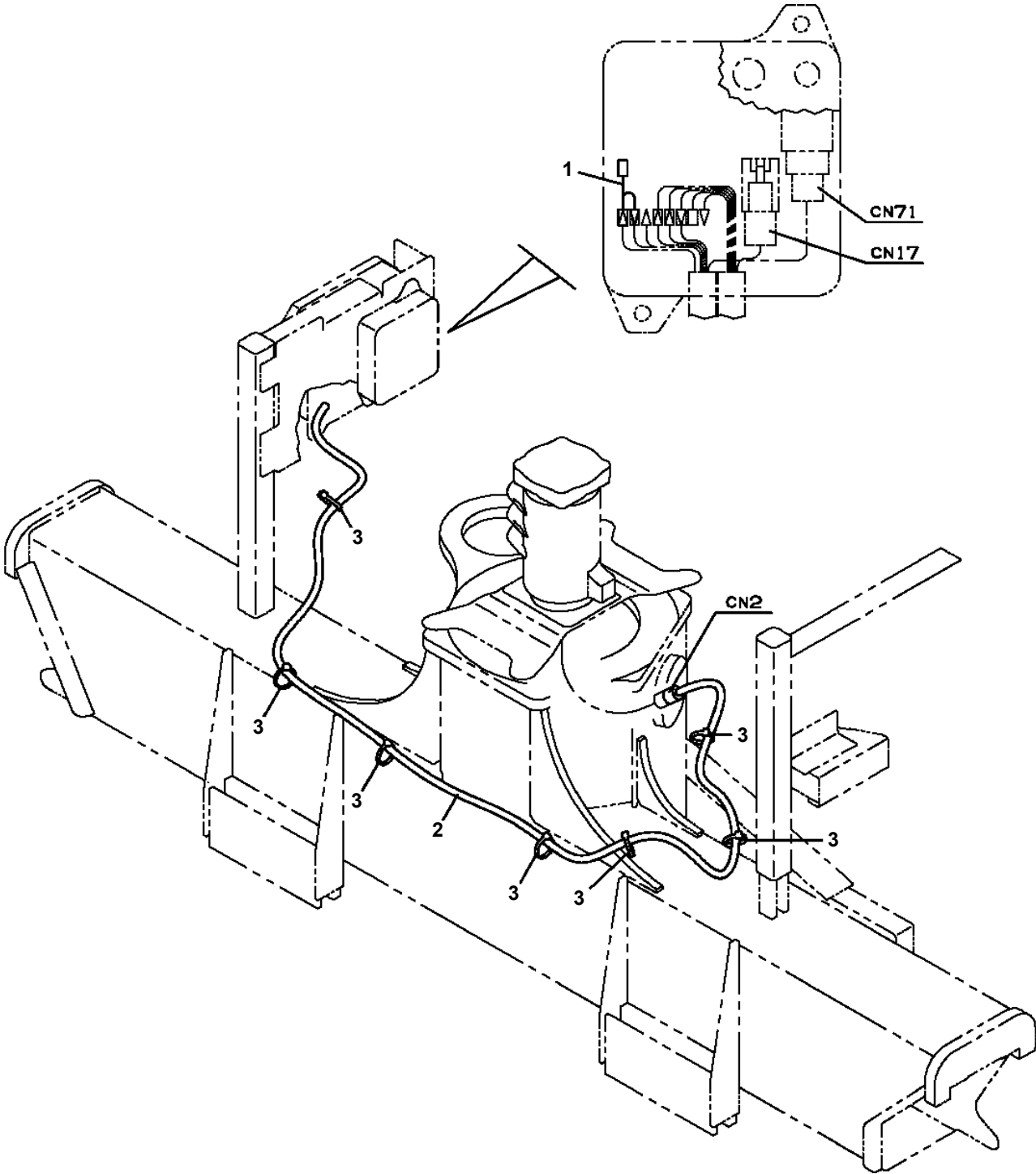
TM-ZE500 41050501154A FRAME/PRIM ECO
 PE5020887-00 ELEC.ASSY (FRAME)



TM-ZE500 41050501154A FRAME/PRIM ECO
PE5020925-00 ELEC.ASSY (POST)



TM-ZE500 41050501154A FRAME/PRIM ECO
PE5020989-00 ELEC.ASSY (FRAME)



TM-ZE500 41050501154A FRAME/PRIM ECO

| Pos No. | Parts No | Parts Name | Qty | Unit | Technical Data | Serial No (Start) | Serial No (End) | Remarks |
|---------|-------------|----------------------|-----|------|----------------|-------------------|-----------------|---------|
| 1 | 31505263100 | HARNESS | 1 | | | | | |
| 2 | 91810130250 | FASTENER | 8 | | | | | |
| 3 | 91850310405 | CLAMP (BLACK) | 3 | | | | | |
| 4 | 34354781720 | RELAY (WITH HARNESS) | 1 | | | | | |
| 5 | 34354781740 | RELAY | 1 | | | | | |
| 6 | 90280200600 | NUT,FLANGE | 2 | | M6 | | | |
| 7 | 80197586012 | SCREW,MACHINE | 2 | | M6X12 | | | |

TM-ZE500 41050501154A FRAME/PRIM ECO

| Pos No. | Parts No | Parts Name | Qty | Unit | Technical Data | Serial No (Start) | Serial No (End) | Remarks |
|---------|-------------|---------------------|-----|------|----------------|-------------------|-----------------|---------|
| 1 | 90191510020 | BOLT,HEXAGON SOCKET | 8 | | M10X20 | | | |
| 2 | 90302041001 | WASHER,SPRING | 8 | | 10 | | | |
| 3 | 90303071001 | WASHER,PLAIN | 4 | | 10 | | | |
| 4 | 36093860021 | BODY | 1 | | | | | |
| 5 | 36093860042 | SUPPORT | 1 | | | | | |
| 6 | 37001008670 | SHEAVE ASSY | 2 | | | | | |
| 7 | 80720105056 | PIN,SPRING | 1 | | 5X56 | | | |
| 9 | 36093860031 | BODY | 1 | | | | | |
| 10 | 36093860080 | COVER | 2 | | | | | |
| 12 | 80500051207 | BEARING,BALL | 1 | | | | | |
| 13 | 36093860071 | TRUNNION | 1 | | | | | |
| 21 | 36095155020 | HOOK ASSY | 1 | | | | | |
| 32 | 36093861100 | BEARING,BALL | 2 | | | | | |
| 40 | 36095150050 | TRIGGER SET | 1 | | | | | |
| 100 | 36095150000 | HOOK (LOCKING) | 1 | | | | | |

TM-ZE500 41050501154A FRAME/PRIM ECO

| Pos No. | Parts No | Parts Name | Qty | Unit | Technical Data | Serial No (Start) | Serial No (End) | Remarks | Pages |
|---------|-------------|----------------|-----|------|----------------|-------------------|-----------------|---------|-------|
| 1 | 31440250100 | ROLLER ASSY | 1 | | | | | | |
| 2 | 37000105740 | PIN | 2 | | | | | | |
| 3 | 80136332020 | PIN,SPLIT | 2 | | 3.2X20 | | | | |
| 4 | 90303071001 | WASHER,PLAIN | 4 | | 10 | | | | |
| 5 | 37001300000 | SPRING | 2 | | | | | | |
| 21 | 37001107470 | ROLLER ASSY | 2 | | | | | | |
| 22 | 37001108310 | ROLLER ASSY | 1 | | | | | | |
| 23 | 31440250300 | PIN | 1 | | | | | | |
| 24 | 31440250150 | SUPPORT | 1 | | | | | | |
| 25 | 31440150350 | WASHER,PLAIN | 2 | | | | | | |
| 26 | 90286001007 | NUT | 2 | | M10 P=1.25 | | | | |
| 31 | 80516006001 | BEARING,BALL | 4 | | | | | | |
| 43 | 80602110280 | RING,RITAINING | 2 | | R28 | | | | |

**TM-ZE500 41050501154A FRAME/PRIM ECO
PF5100350-00 FRAME ASSY (FOR KANDENKO/CAB BACK OUTRIGGER)**

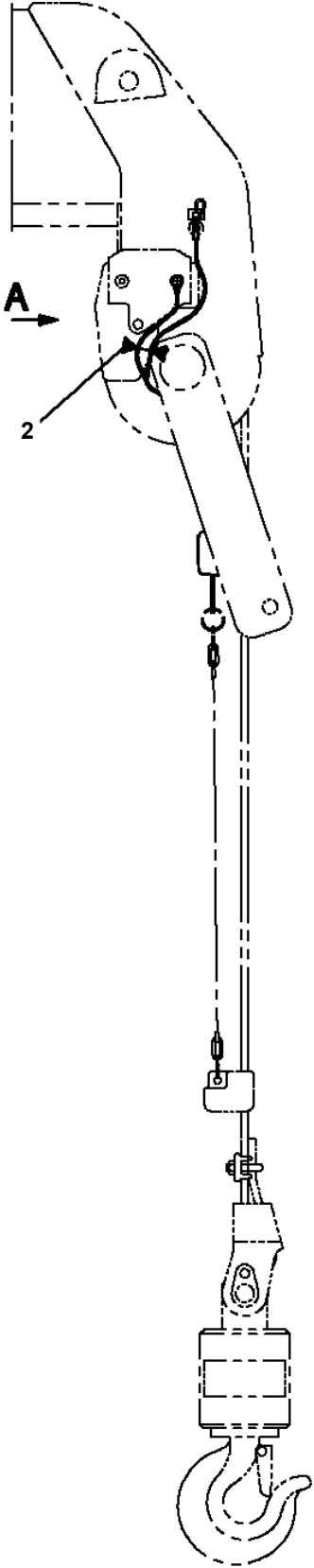
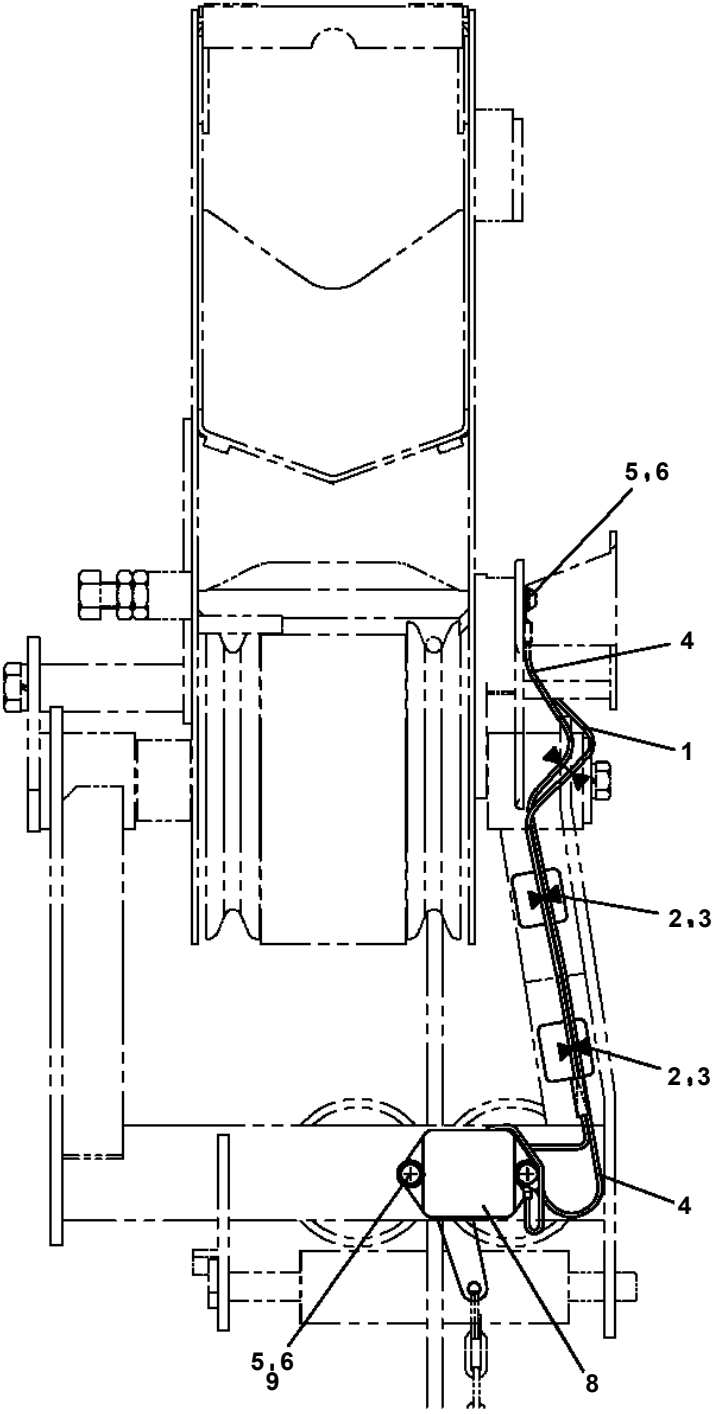
フレームASSY (カンデンコウコンウメケ/キャブバックアウトリガ)
FRAME ASSY (FOR KANDENKO/CAB BACK OUTRIGGER)

| 指示番号 KEY NO. | 部品名称 PART NAME | 備考 REMARK |
|-----------------|--|--------------|
| 1 | フレームASSY FRAME ASSY | |
| 2 | タンクASSY TANK ASSY | |
| 3 | カバーASSY COVER ASSY | |
| 4 | ハイカンASSY PIPING ASSY | 上部 |
| 5 | オペレータASSY, ソウサババルブ OPE. ASSY, CONT. VALVE | |
| 6 | ハイセンASSY ELEC. ASSY | トラックキャブからの配線 |
| 7 | ハイセンASSY ELEC. ASSY | 本体配線 |
| 9 | アウトリガASSY OUTRIGGER ASSY | L=592 |
| 21 | ネームプレートASSY NAME PLATE ASSY | (注意, 操作銘板) |
| 24 | プレートASSY, ネーム PLATE ASSY, NAME | (オイル銘板) |

適用製造番号によっては取り付けがないものもあります。

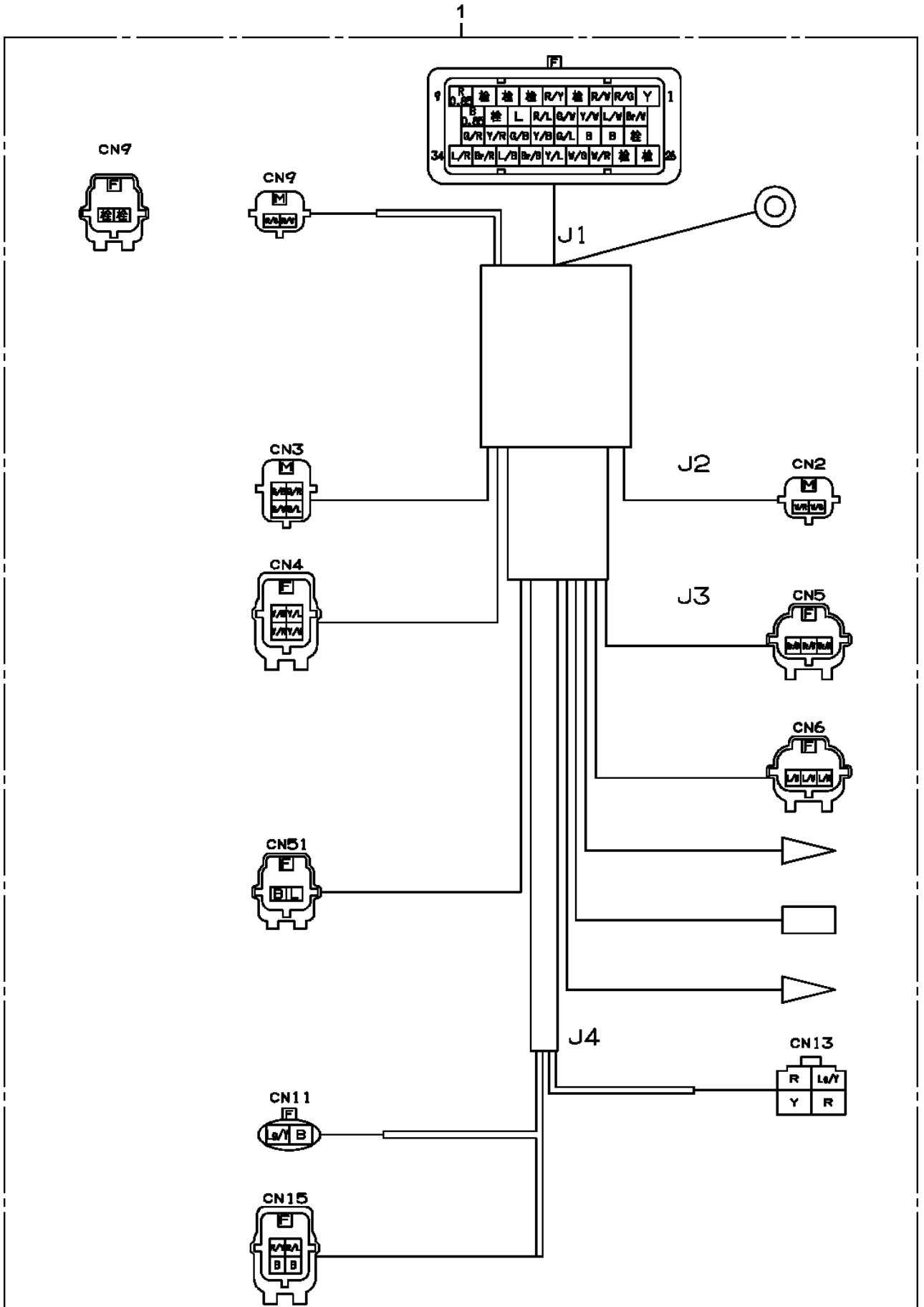
MACHINES OF SOME SERIAL NO. ARE NOT EQUIPPED WITH THESE PARTS.

TM-ZE500 41050501154A FRAME/PRIM ECO
PH1060491-01 DETECTOR,OVERWIND

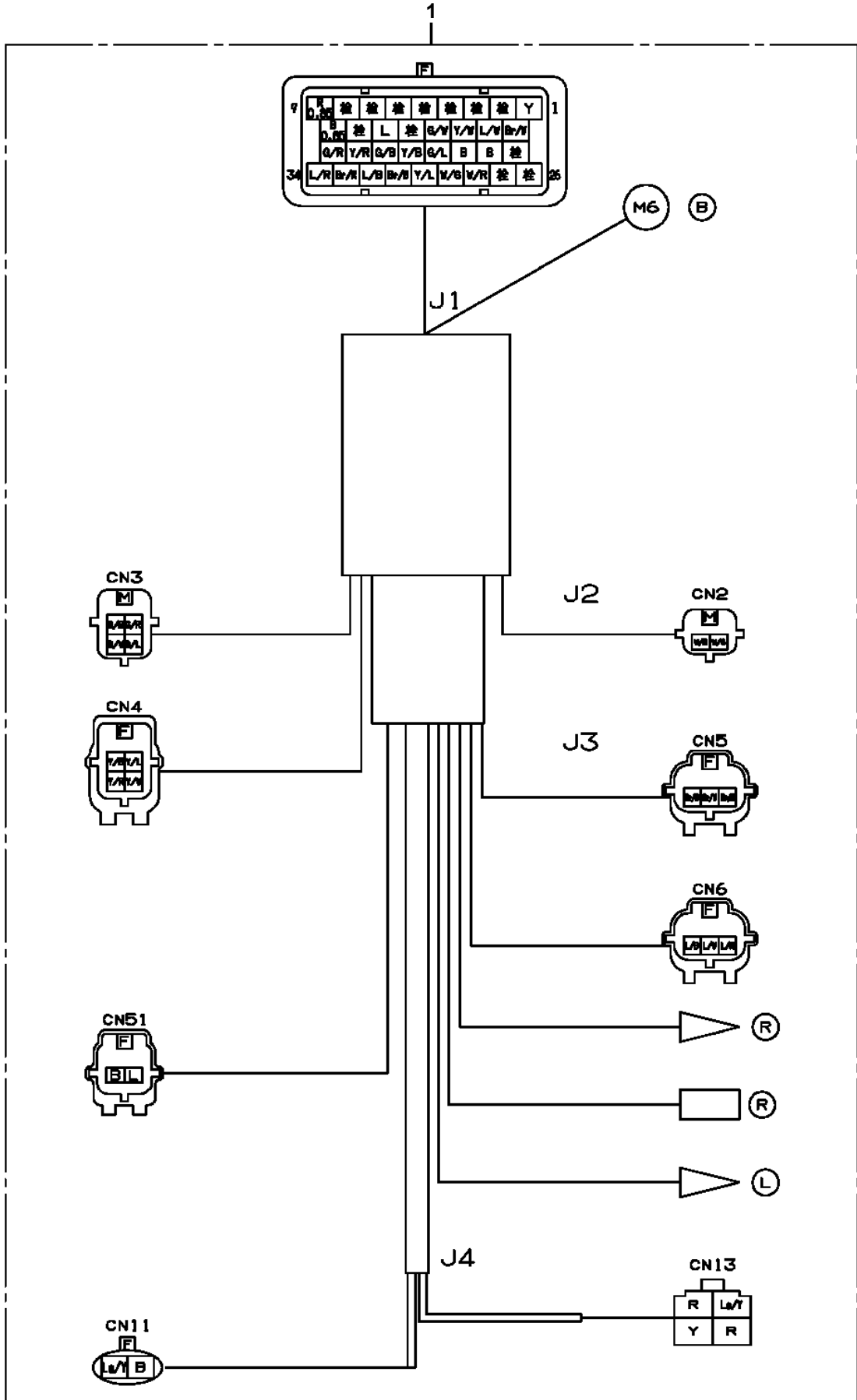


A

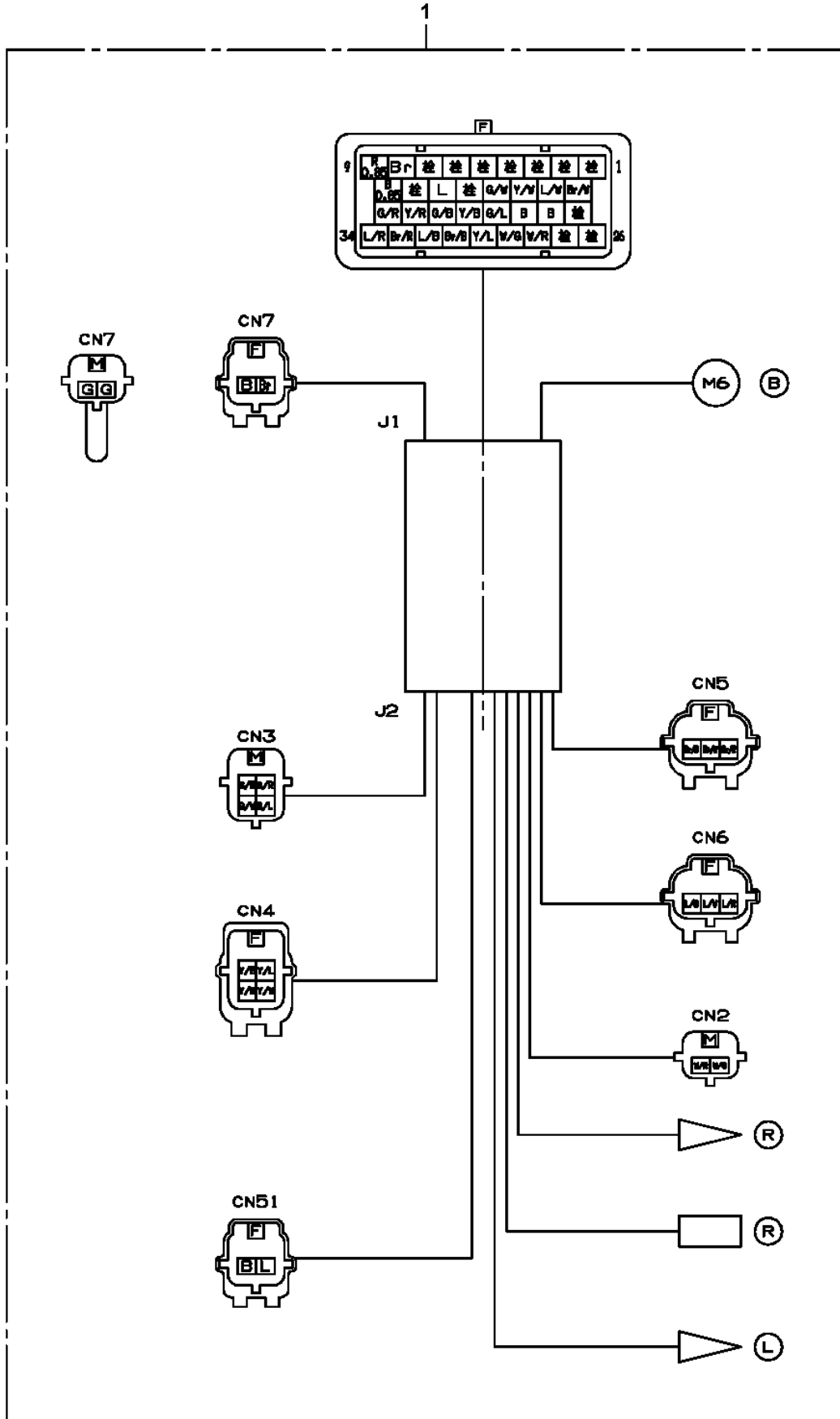
TM-ZE500 41050501154A FRAME/PRIM ECO
PH5030525-00 HARNESS



TM-ZE500 41050501154A FRAME/PRIM ECO
PH5030709-00 HARNESS

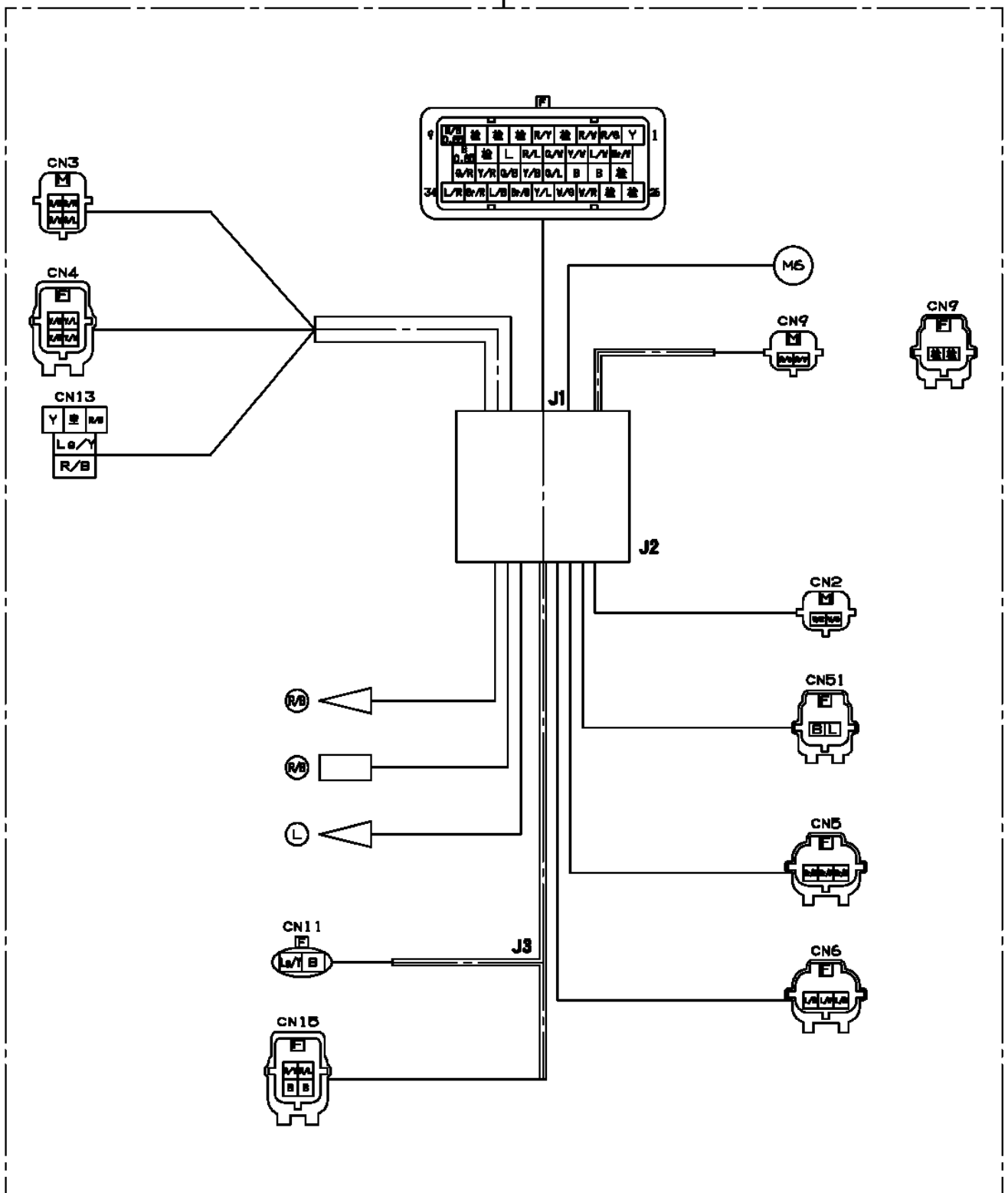


TM-ZE500 41050501154A FRAME/PRIM ECO
PH5031221-00 HARNESS



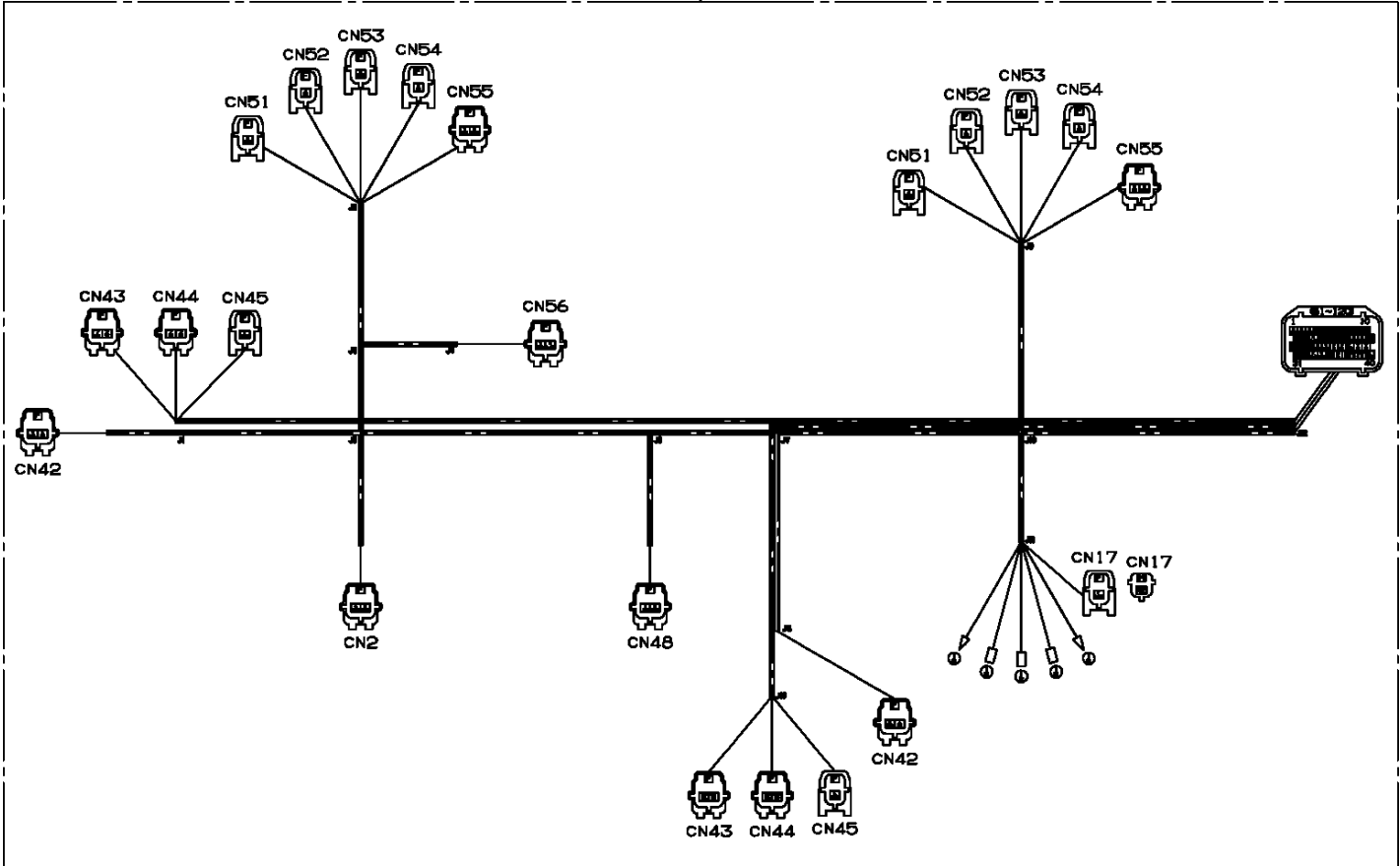
TM-ZE500 41050501154A FRAME/PRIM ECO
PH5032396-00 HARNESS

100

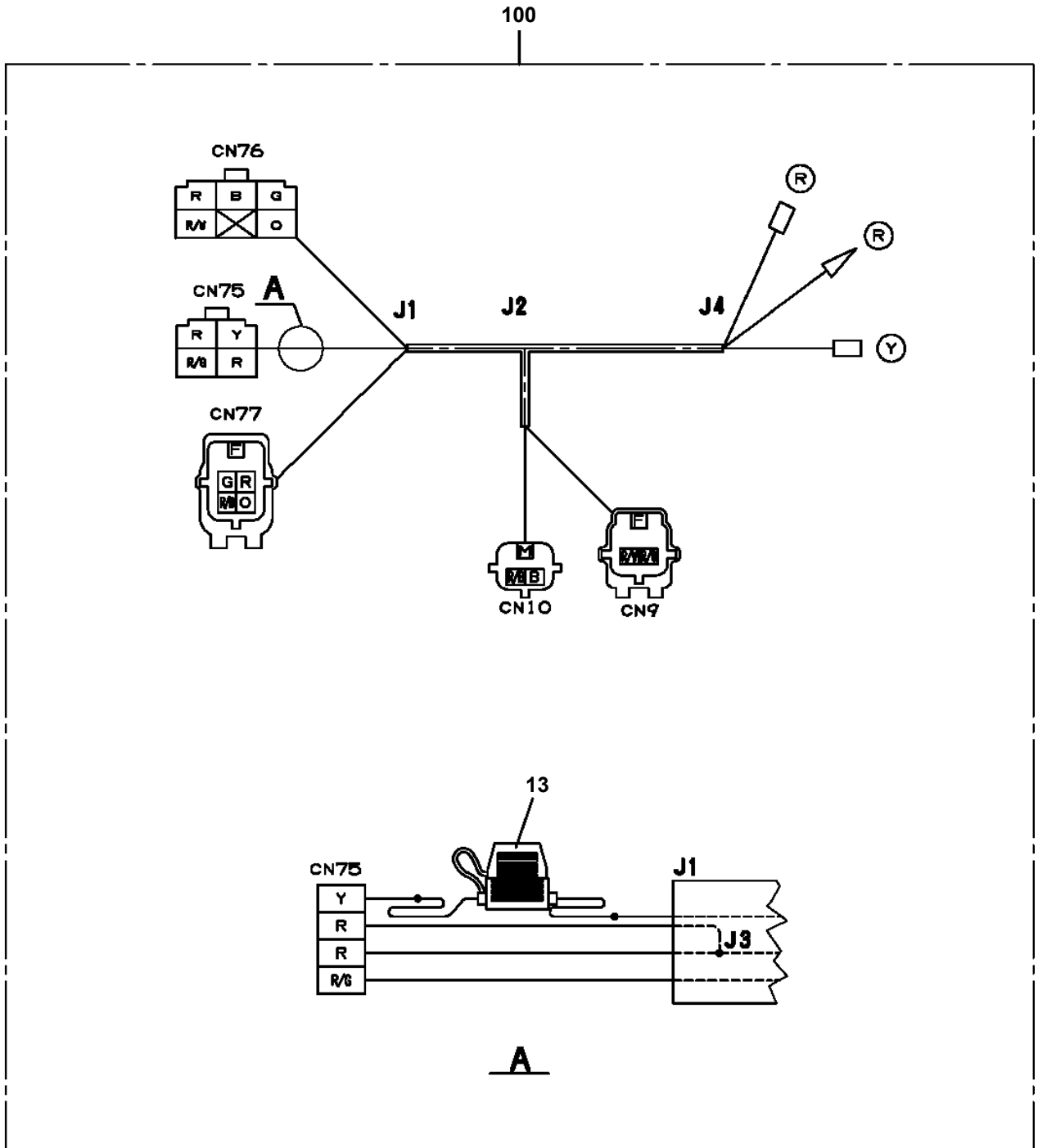


TM-ZE500 41050501154A FRAME/PRIM ECO
PH5032678-00 HARNESS

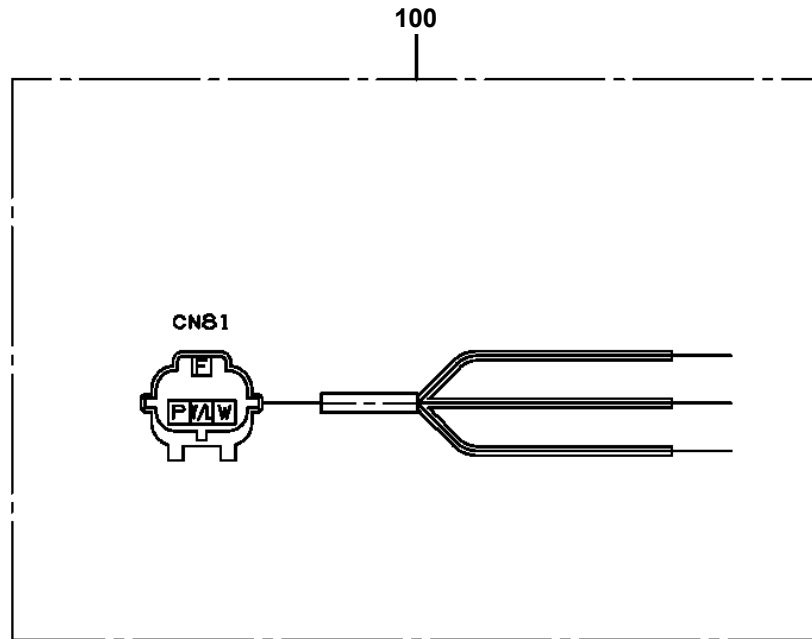
1



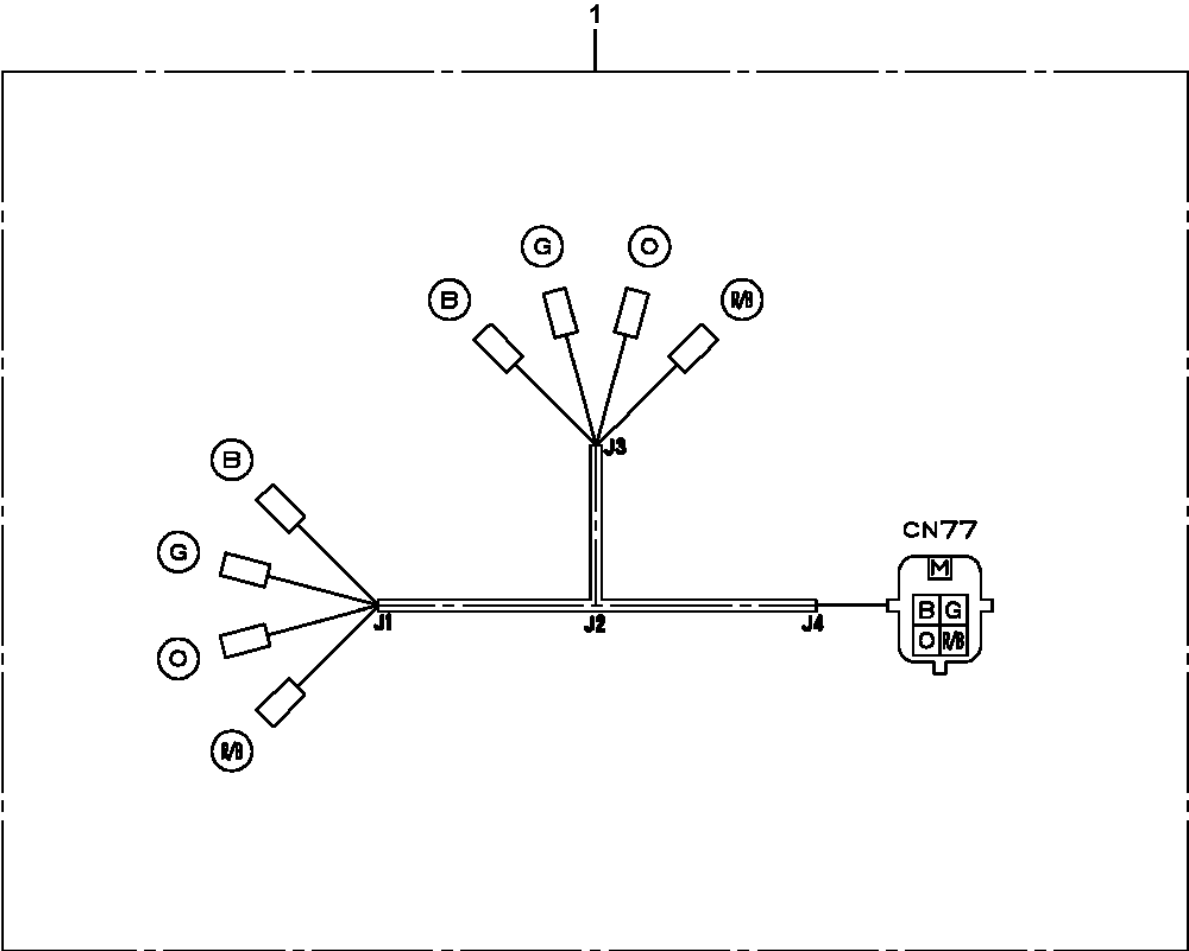
TM-ZE500 41050501154A FRAME/PRIM ECO
 PH5033058-00 HARNESS



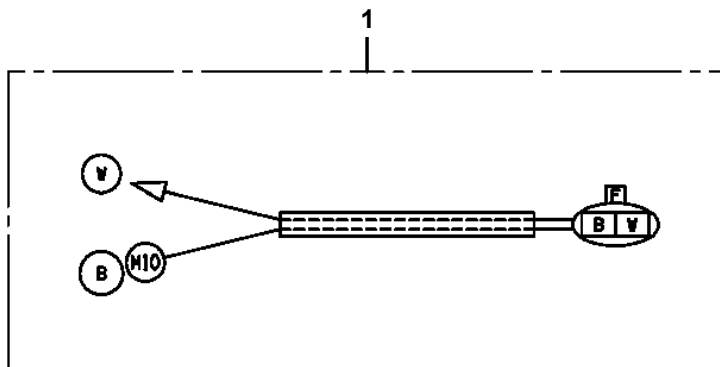
**TM-ZE500 41050501154A FRAME/PRIM ECO
PH5033169-00 HARNESS**



TM-ZE500 41050501154A FRAME/PRIM ECO
PH5033271-00 HARNESS

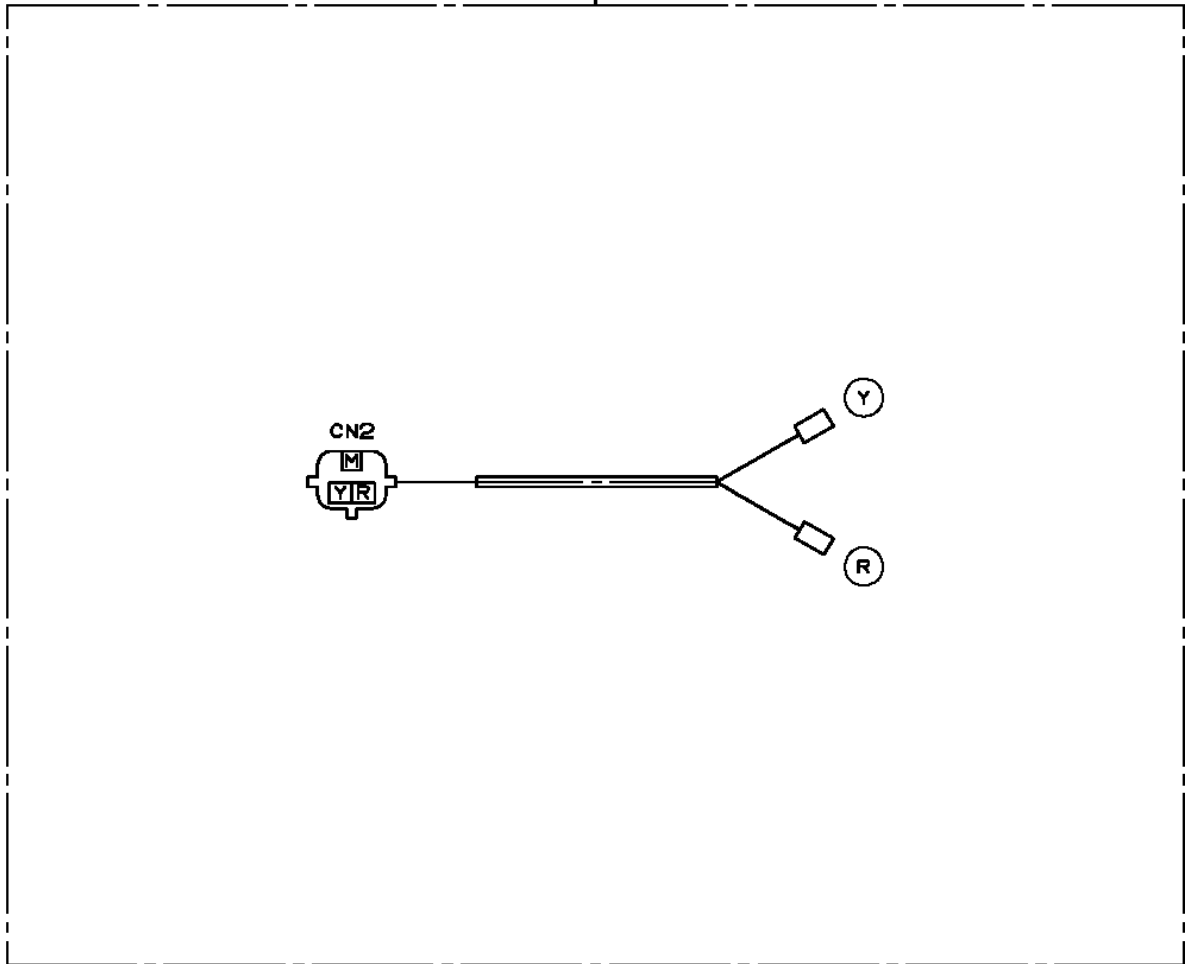


TM-ZE500 41050501154A FRAME/PRIM ECO
PH5033594-00 HARNESS

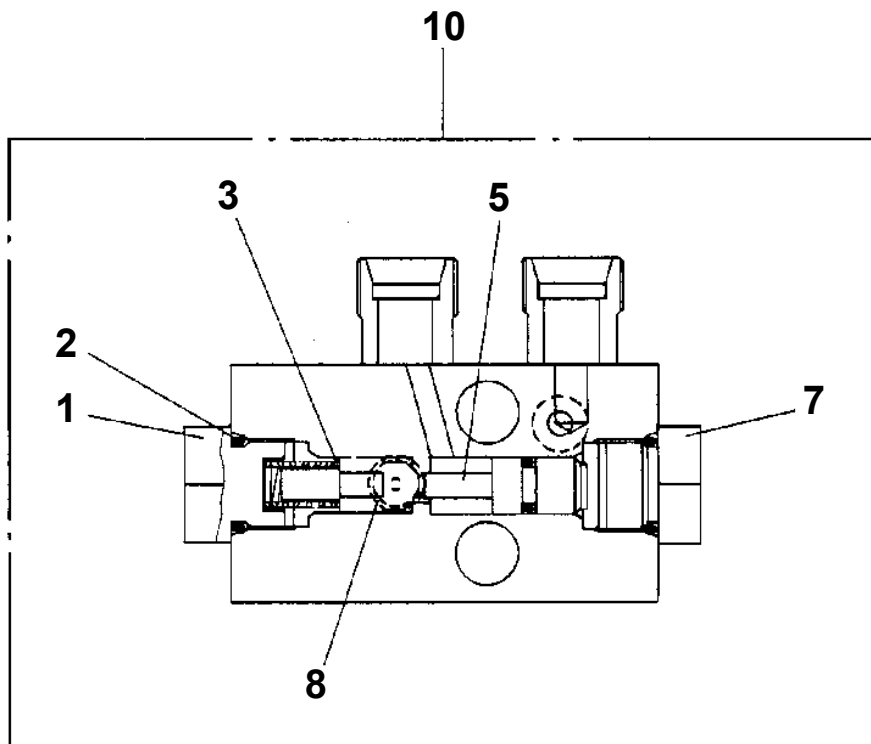


TM-ZE500 41050501154A FRAME/PRIM ECO
PH5034301-00 HARNESS

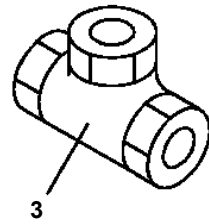
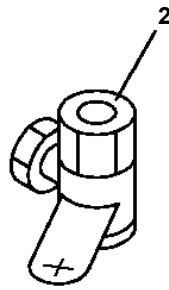
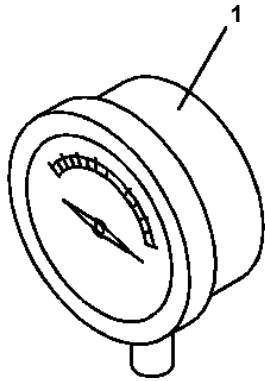
100



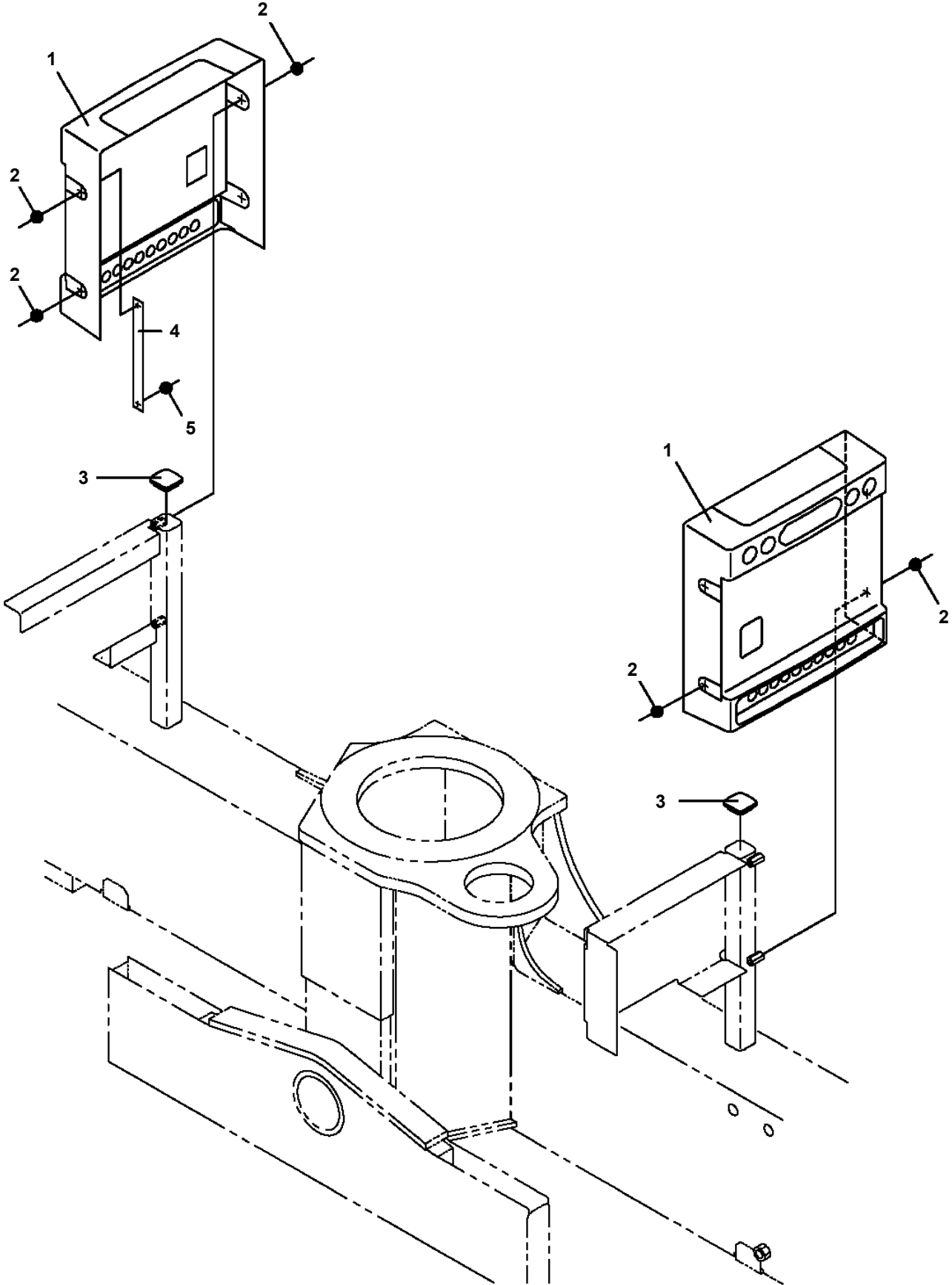
TM-ZE500 41050501154A FRAME/PRIM ECO
PI1280162-00 VALVE,PILOT CHECK



**TM-ZE500 41050501154A FRAME/PRIM ECO
PI1440037-00 METER,LOAD (BOTH SIDE)**



**TM-ZE500 41050501154A FRAME/PRIM ECO
PK1330382-02 COVER (SWITCH PANEL)**



注 意：本図は参考用に掲載しており、形状などは実機と異なります。

NOTE: THE ABOVE FIGURE IS FOR REFERENCE AND MAY DIFFER FROM THE ACTUAL APPEARANCE OF YOUR MACHINE.

TM-ZE500 41050501154A FRAME/PRIM ECO
PL5020026-00 LAMP ASSY (45W BOOM TOP WORKING/H.HR.MH)

| | |
|-----------------|--|
| 指示番号 KEY NO. | ランプ ASSY (45Wフームセンタンサキ ヨウトウ/H.HR.MHヨウ) LAMP ASSY (45W BOOM TOP WORKING/H.HR.MH) |
| 1 | ハイセンASSY (ロー) ELEC.ASSY (LOWER) |
| 2 | ハイセンASSY (アツハ) ELEC.ASSY (UPPER) |

TM-ZE500 41050501154A FRAME/PRIM ECO
PL5020031-00 LAMP ASSY (60W POST WORKING/HREN)

| 指示番号 KEY NO. | ランプ ASSY (60Wホ* ストサキ* ヨウトウ/HRENヨウ) LAMP ASSY (60W POST WORKING/HREN) |
|-----------------|---|
| 1 | ハイセンASSY (フレーム*) ELEC.ASSY (FRAME) |
| 2 | ハイセンASSY (ホ* ストフ*) ELEC.ASSY (POST) |
| 3 | ハイセンASSY (シ* ヨウフ*) ELEC.ASSY (UPPER) |

TM-ZE500 41050501154A FRAME/PRIM ECO
PL5020106-00 LAMP ASSY (LED POST WORK LAMP/HREN)

ランプ ASSY (LEDホ* ストサキ* ヨウトウ/HREN)
LAMP ASSY (LED POST WORK LAMP/HREN)

【組立名称一覧】より選択してください。
SEE THE CORRESPONDING "ASSEMBLY NAME" LIST.

TM-ZE500 41050501154A FRAME/PRIM ECO
PL5020167-00 LAMP ASSY (60W POST WORK LAMP)

ランプ ASSY (60Wホーストサキ ヨウトウ)
LAMP ASSY (60W POST WORK LAMP)

| 指示番号 KEY NO. | 部品名称 PART NAME | 備考 REMARK |
|-----------------|-----------------------|--------------|
| 1 | ハイセンASSY ELEC.ASSY | フレーム部 |
| 2 | ハイセンASSY ELEC.ASSY | ホースト部 |
| 3 | ハイセンASSY ELEC.ASSY | 照明部 |

適用製造番号によっては取り付けがないものもあります。

MACHINES OF SOME SERIAL NO. ARE NOT EQUIPPED WITH THESE PARTS.

TM-ZE500 41050501154A FRAME/PRIM ECO
PL5270028-00 LOCK ASSY (JACK INTERLOCK/H,HR,PH,PHR)

ロックASSY (ジャッキインターロック/H,HR,PH,PHRヨウ)
LOCK ASSY (JACK INTERLOCK/H,HR,PH,PHR)

【組立名称一覧】より選択してください。
SEE THE CORRESPONDING "ASSEMBLY NAME" LIST.

CLICK HERE TO **DOWNLOAD** THE COMPLETE MANUAL

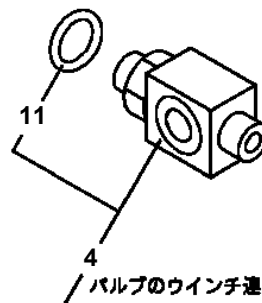
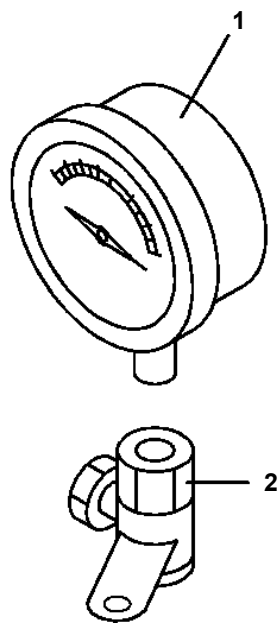
- Thank you very much for reading the preview of the manual.
- You can download the complete manual from: www.heydownloads.com by clicking the link below



- Please note: If there is no response to CLICKING the link, please download this PDF first and then click on it.

CLICK HERE TO **DOWNLOAD** THE COMPLETE MANUAL

TM-ZE500 41050501154A FRAME/PRIM ECO
PM5070001-00 METER ASSY,HOOK LOAD



バルブのウインチ連（上げ）の既存ジョイントと交換

TM-ZE500 41050501154A FRAME/PRIM ECO

| Pos No. | Parts No | Parts Name | Qty | Unit | Technical Data | Serial No (Start) | Serial No (End) | Remarks | Pa |
|---------|-------------|--------------------|-----|------|----------------|-------------------|-----------------|---------|----|
| 1 | 31653600500 | PLUG (8POLES,MALE) | 1 | | | | | | |

TM-ZE500 41050501154A FRAME/PRIM ECO

| Pos No. | Parts No | Parts Name | Qty | Unit | Technical Data | Serial No (Start) | Serial No (End) | Remarks | Pages |
|---------|-------------|---------------|-----|------|----------------|-------------------|-----------------|---------|-------|
| 1 | 91850100802 | CLAMP | 1 | | | | | | |
| 2 | 91810130270 | FASTENER | 2 | | | | | | |
| 3 | 91810130250 | FASTENER | 8 | | | | | | |
| 4 | 91850310405 | CLAMP (BLACK) | 6 | | | | | | |

TM-ZE500 41050501154A FRAME/PRIM ECO

| Pos No. | Parts No | Parts Name | Qty | Unit | Technical Data | Serial No (Start) | Serial N |
|---------|-------------|--------------------------------------|-----|------|----------------|-------------------|----------|
| 5 | 82101429241 | SWITCH,PUSH (GREEN) | 1 | | | | |
| 6 | 82105411140 | SWITCH,TOGGLE | 2 | | | | |
| 10 | 31656013120 | SWITCH ASSY (WITH HARNESS/PANASONIC) | 1 | | | | |

TM-ZE500 41050501154A FRAME/PRIM ECO

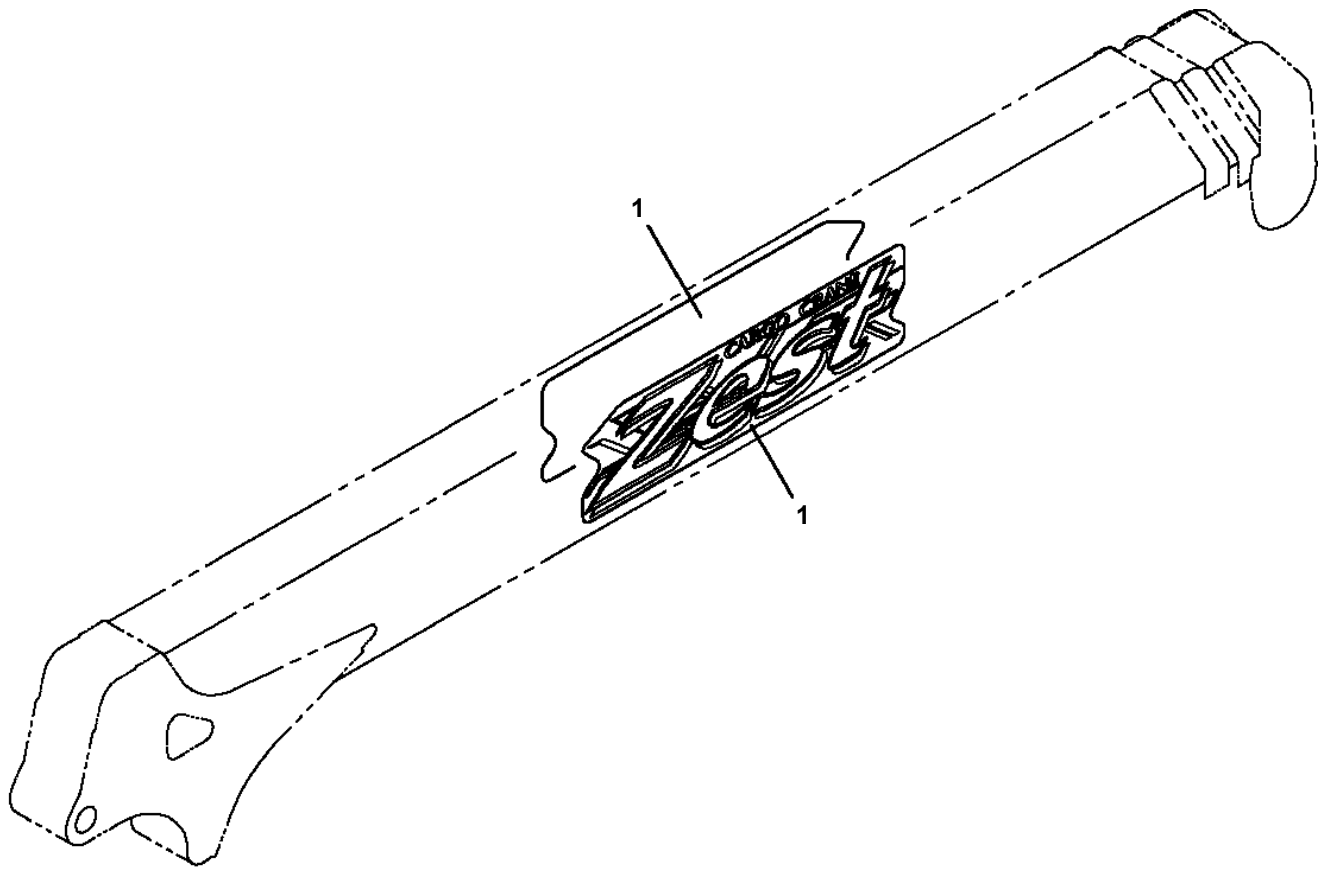
| Pos No. | Parts No | Parts Name | Qty | Unit | Technical Data | Serial No (Start) | Serial No (End) | Remarks | Pages |
|---------|-------------|------------|-----|------|----------------|-------------------|-----------------|---------|-------|
| 1 | 31500626101 | PLATE,NAME | 2 | | | | | | |

TM-ZE500 41050501154A FRAME/PRIM ECO
PN5010772-00 NAME PLATE ASSY (FRAME)

ネームプレートASSY (フレーム)
NAME PLATE ASSY (FRAME)

【組立名称一覧】より選択してください。
SEE THE CORRESPONDING "ASSEMBLY NAME" LIST.

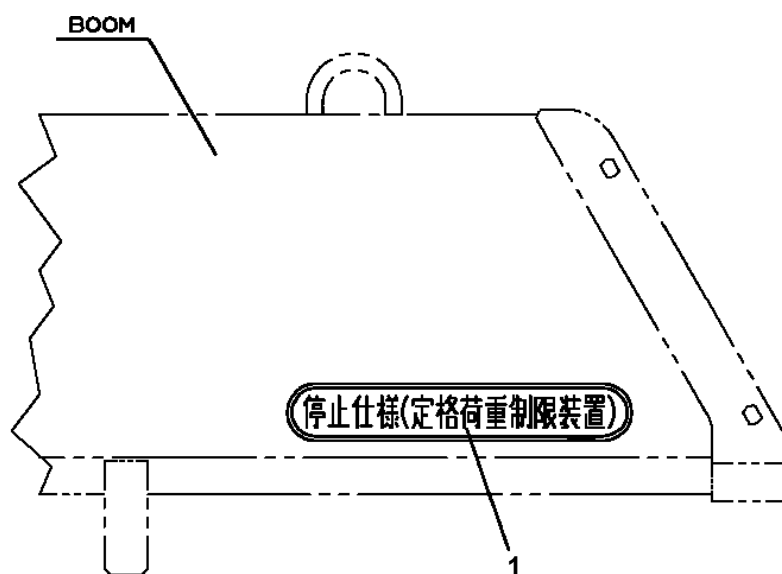
TM-ZE500 41050501154A FRAME/PRIM ECO
PN5011064-01 NAME PLATE ASSY (ZEST ZE300/WITHOUT ECO)



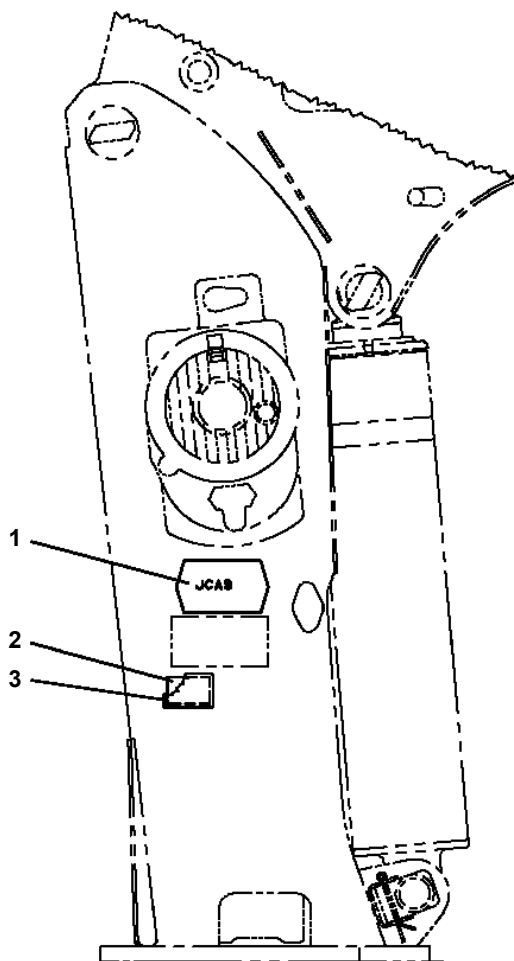
ブーム段数参考

THE BOOM SECTIONS IN THE ILLUSTRATION ARE FOR REFERENCE.

TM-ZE500 41050501154A FRAME/PRIM ECO
PN5011947-02 NAME PLATE ASSY



TM-ZE500 41050501154A FRAME/PRIM ECO
 PN5012410-00 NAME PLATE ASSY (JSAS)



ZE250, ZE260, ZE290
 ZE300, ZE360
 ZE500

ポスト側面

1

JCAS2209-2018
 「積載型トラッククレーン
 過負荷制限装置の基準」準拠

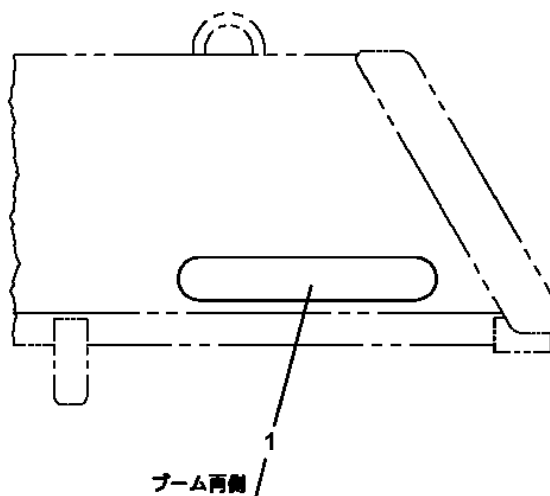
株式会社タダノ
 型 式: *****
 No. *****

このステッカーは、日本クレーン協会の許可を得て、
 上記の会社の責任において貼付したものです。
 一般社団法人日本クレーン協会

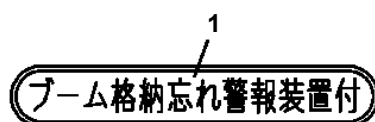
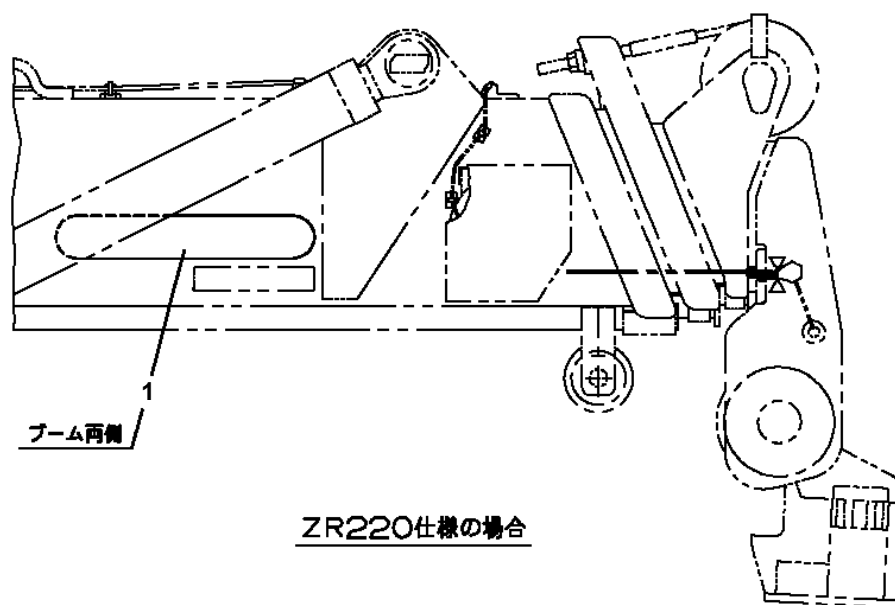
2

ウインチ減速機のフェー
 シングは3年毎に交換し
 てください。
 次回の交換は
 年 月です

TM-ZE500 41050501154A FRAME/PRIM ECO
PO1014584-04 PLATE ASSY,NAME (BOOM,ELEV. STOWING FAILURE)



プレート、ネーム貼付位置は参考とする



ブーム段数参考

THE BOOM SECTIONS IN THE ILLUSTRATION ARE FOR REFERENCE.

TM-ZE500 41050501154A FRAME/PRIM ECO

| Pos No. | Parts No | Parts Name | Qty | Unit | Technical Data | Serial No (Start) | Serial No (End) | Remarks |
|---------|-------------|----------------------|-----|------|----------------|-------------------|-----------------|---------|
| 1 | 31398320100 | PLATE,CAUTION | 2 | | | | | |
| 2 | 31398320200 | PLATE,CAUTION | 1 | | | | | |
| 3 | 31398320300 | PLATE,CAUTION | 2 | | | | | |
| 4 | 31398320400 | PLATE,CAUTION | 1 | | | | | |
| 5 | 31393180100 | REFLECTOR (RED) | 2 | | | | | |
| 6 | 31611300500 | PLATE,NAME (WHITE) | 4 | | | | | |
| 7 | 37002213970 | PLATE,NAME (MARKING) | 2 | | | | | |

TM-ZE500 41050501154A FRAME/PRIM ECO

| Pos No. | Parts No | Parts Name | Qty | Unit | Technical Data | Serial No (Start) | Serial No (End) | Remarks | Pages |
|---------|-------------|------------|-----|------|----------------|-------------------|-----------------|---------|-------|
| 1 | 36806250110 | PLATE,NAME | 1 | | | | | | |

TM-ZE500 41050501154A FRAME/PRIM ECO

| Pos No. | Parts No | Parts Name | Qty | Unit | Technical Data | Serial No (Start) | Serial No (End) | Remarks | Pages |
|---------|-------------|------------|-----|------|----------------|-------------------|-----------------|---------|-------|
| 1 | 37002227640 | PLATE,NAME | 2 | | | | | | |
| 2 | 37002227630 | PLATE,NAME | 2 | | | | | | |
| 3 | 37002227620 | PLATE,NAME | 2 | | | | | | |
| 4 | 37002227650 | PLATE,NAME | 2 | | | | | | |
| 8 | 37002227690 | PLATE,NAME | 1 | | | | | | |
| 9 | 37002227700 | PLATE,NAME | 1 | | | | | | |

TM-ZE500 41050501154A FRAME/PRIM ECO

| Pos No. | Parts No | Parts Name | Qty | Unit | Technical Data | Serial No (Start) | Serial No (End) | Remarks | Pages |
|---------|-------------|----------------|-----|------|----------------|-------------------|-----------------|---------|-------|
| 2 | 90302041001 | WASHER,SPRING | 4 | | 10 | | | | |
| 3 | 90171110018 | BOLT | 4 | | M10X18 | | | | |
| 4 | 31325162000 | ROD ASSY | 1 | | | | | | |
| 5 | 31325163000 | ROD | 3 | | | | | | |
| 6 | 31324990100 | LEVER | 1 | | | | | | |
| 7 | 31324990200 | LEVER | 1 | | | | | | |
| 8 | 31324860401 | LEVER | 1 | | | | | | |
| 9 | 31324990300 | LEVER | 1 | | | | | | |
| 10 | 31324990400 | LEVER | 1 | | | | | | |
| 11 | 31324990500 | LEVER | 1 | | | | | | |
| 12 | 31324860701 | KNOB (RED) | 1 | | | | | | |
| 13 | 31324860801 | KNOB (BLACK) | 3 | | | | | | |
| 14 | 82400000527 | CAP | 2 | | | | | | |
| 15 | 37000164930 | PIN | 1 | | | | | | |
| 16 | 80136840020 | PIN,SPLIT | 1 | | 4X20 | | | | |
| 17 | 37000105040 | PIN | 8 | | | | | | |
| 18 | 80650100030 | RING,RETAINING | 14 | | | | | | |
| 19 | 37000105050 | PIN | 6 | | | | | | |
| 21 | 31322224200 | PLATE | 1 | | L=1 | | | | |
| 31 | 31325161100 | SUPPORT | 1 | | | | | | |
| 32 | 31324860401 | LEVER | 1 | | | | | | |
| 33 | 31324990300 | LEVER | 1 | | | | | | |
| 34 | 31324990400 | LEVER | 1 | | | | | | |
| 35 | 31324990500 | LEVER | 1 | | | | | | |
| 36 | 31324860701 | KNOB (RED) | 1 | | | | | | |
| 37 | 31324860801 | KNOB (BLACK) | 3 | | | | | | |
| 38 | 37000100190 | PIN | 1 | | | | | | |
| 39 | 80136840020 | PIN,SPLIT | 1 | | 4X20 | | | | |
| 40 | 31322224200 | PLATE | 5 | | L=1 | | | | |
| 41 | 37000311190 | SPACER | 1 | | L=16 | | | | |

TM-ZE500 41050501154A FRAME/PRIM ECO

| Pos No. | Parts No | Parts Name | Qty | Unit | Technical Data | Serial No (Start) | Serial No (End) | Remarks | Pages |
|---------|-------------|----------------|-----|------|----------------|-------------------|-----------------|---------|-------|
| 1 | 31324983600 | LEVER | 1 | | | | | | |
| 2 | 31324983700 | LEVER | 1 | | | | | | |
| 3 | 31324860801 | KNOB (BLACK) | 2 | | | | | | |
| 4 | 37010100110 | PIN | 1 | | | | | | |
| 5 | 37000105050 | PIN | 2 | | | | | | |
| 6 | 31322224200 | PLATE | 1 | | L=1 | | | | |
| 7 | 37000311490 | SPACER | 1 | | L=20 | | | | |
| 8 | 80136840020 | PIN,SPLIT | 1 | | 4X20 | | | | |
| 9 | 80650100030 | RING,RETAINING | 2 | | | | | | |

TM-ZE500 41050501154A FRAME/PRIM ECO

| Pos No. | Parts No | Parts Name | Qty | Unit | Technical Data | Serial No (Start) | Serial No (End) | Remarks | Pages |
|---------|-------------|----------------|-----|------|----------------|-------------------|-----------------|---------|-------|
| 3 | 90171110016 | BOLT | 4 | | M10X16 | | | | |
| 4 | 31325162000 | ROD ASSY | 1 | | | | | | |
| 5 | 31325163000 | ROD | 2 | | | | | | |
| 7 | 31325740400 | LEVER | 1 | | | | | | |
| 9 | 31325740200 | LEVER | 1 | | | | | | |
| 11 | 31324860701 | KNOB (RED) | 1 | | | | | | |
| 12 | 31324860801 | KNOB (BLACK) | 5 | | | | | | |
| 14 | 37010103590 | PIN | 1 | | | | | | |
| 15 | 80136840020 | PIN,SPLIT | 1 | | 4X20 | | | | |
| 16 | 37000105040 | PIN | 12 | | | | | | |
| 17 | 80650100030 | RING,RETAINING | 18 | | | | | | |
| 18 | 37000105050 | PIN | 6 | | | | | | |
| 20 | 90302041001 | WASHER,SPRING | 4 | | 10 | | | | |
| 21 | 31325740600 | LEVER | 1 | | | | | | |
| 22 | 31325740700 | LEVER | 1 | | | | | | |
| 23 | 31322224200 | PLATE | 1 | | L=1 | | | | |
| 41 | 31326731100 | SUPPORT | 1 | | | | | | |
| 42 | 31325740400 | LEVER | 1 | | | | | | |
| 46 | 31324860701 | KNOB (RED) | 1 | | | | | | |
| 47 | 31324860801 | KNOB (BLACK) | 5 | | | | | | |
| 48 | 37010100380 | PIN | 1 | | | | | | |
| 49 | 80136840020 | PIN,SPLIT | 1 | | 4X20 | | | | |
| 50 | 31322224200 | PLATE | 7 | | L=1 | | | | |
| 51 | 37000311190 | SPACER | 2 | | L=16 | | | | |
| 52 | 31325741201 | LEVER | 1 | | | | | | |
| 53 | 31325741301 | LEVER | 1 | | | | | | |

TM-ZE500 41050501154A FRAME/PRIM ECO

| Pos No. | Parts No | Parts Name | Qty | Unit | Technical Data | Serial No (Start) | Serial No |
|---------|-------------|--------------------------------------|-----|------|----------------|-------------------|-----------|
| 1 | 31614450100 | OUTRIGGER ASSY (CASE:L=1250,MIN=805) | 2 | | | | |

TM-ZE500 41050501154A FRAME/PRIM ECO

| Pos No. | Parts No | Parts Name | Qty | Unit | Technical Data | Serial No (Start) | Serial No (End) |
|---------|-------------|-------------------------------------|-----|------|----------------|-------------------|-----------------|
| 1 | 80189305008 | SCREW,MACHINE | 1 | | M5X8 | | |
| 2 | 31613570500 | COVER | 1 | | | | |
| 3 | 90180208016 | BOLT,BUTTON | 2 | | M8X16 | | |
| 4 | 90302040801 | WASHER,SPRING | 2 | | 8 | | |
| 5 | 31611640150 | SPRING | 1 | | | | |
| 6 | (*****) | OPE.ASSY,OUTRIGGER | 1 | | | | |
| 7 | 37000150360 | PIN | 1 | | | | |
| 8 | 80601110150 | RING,RITAINING | 2 | | 15 | | |
| 9 | 31620582020 | BEARING,BALL (KOYO) | 2 | | | | |
| 10 | 37000164980 | PIN | 2 | | | | |
| 11 | 80602110350 | RING,RITAINING | 4 | | R35 | | |
| 12 | 31614324000 | CASE,OUTER | 1 | | L=920 | | |
| 13 | 31614243000 | CASE,INNER | 1 | | | | |
| 15 | 37000165280 | PIN | 1 | | | | |
| 16 | 31201770100 | PLATE,SLIDE | 2 | | T=3.0 | | |
| 17 | 31612772100 | PLATE | 1 | | | | |
| 18 | 90186206012 | BOLT,FLANGE | 2 | | M6X12 | | |
| 19 | 31611643000 | FLOAT | 1 | | | | |
| 31 | 31614324200 | SUPPORT | 1 | | | | |
| 35 | 31614694000 | SUPPORT | 1 | | | | |
| 37 | 31621963200 | SUPPORT | 1 | | | | |
| 41 | 36623930000 | VALVE,PILOT CHECK | 1 | | | | |
| 42 | 90172110040 | BOLT,HEXAGON SOCKET | 2 | | M10X40 | | |
| 43 | 80491002020 | JOINT (WITH O-RING) | 2 | | | | |
| 44 | 91002801000 | O-RING | 2 | | 1B P10 | | |
| 45 | 36036630000 | CYLINDER ASSY,JACK | 1 | | | | |
| 51 | 31611300500 | PLATE,NAME (WHITE) | 2 | | | | |
| 52 | 31611300600 | PLATE,NAME (YELLOW) | 2 | | | | |
| 61 | 91002801100 | O-RING | 2 | | 1B P11 | | |
| 100 | 31614320200 | OUTRIGGER ASSY (CASE:L=920,MIN=785) | 1 | | | | |

TM-ZE500 41050501154A FRAME/PRIM ECO

| Pos No. | Parts No | Parts Name | Qty | Unit | Technical Data | Serial No (Start) | Serial No |
|---------|-------------|------------------------------------|-----|------|----------------|-------------------|-----------|
| 1 | (*****) | OUTRIGGER ASSY,REAR | 1 | | | | |
| 3 | (*****) | NAME PLATE ASSY (REAR OURTIGGER) | 1 | | | | |
| 5 | (*****) | OPE.ASSY,CONT.VALVE | 1 | | | | |
| 6 | (*****) | LOCK ASSY (REAR OUTRIGGER) | 1 | | | | |
| 21 | (*****) | PIPING ASSY (REAR JACK) | 1 | | | | |
| 22 | 36637730000 | VALVE,MANUAL CONTROL (R/O,2-BLOCK) | 1 | | | | |
| 23 | (*****) | PIPING ASSY (CRANE) | 1 | | | | |

TM-ZE500 41050501154A FRAME/PRIM ECO

| Pos No. | Parts No | Parts Name | Qty | Unit | Technical Data | Serial No (Start) | Serial No (End) | |
|---------|-------------|------------------------------|-----|------|----------------|-------------------|-----------------|--|
| 1 | 36806810000 | BOX,OPERATION (10M CABLE) | 1 | | | | | |
| 2 | (*****) | ELEC.ASSY (ANTENNA UNIT) | 1 | | | | | |
| 3 | (*****) | NAME PLATE ASSY | 1 | | | | | |
| 5 | (*****) | PLATE ASSY,NAME (SWITCH,BOX) | 1 | | | | | |

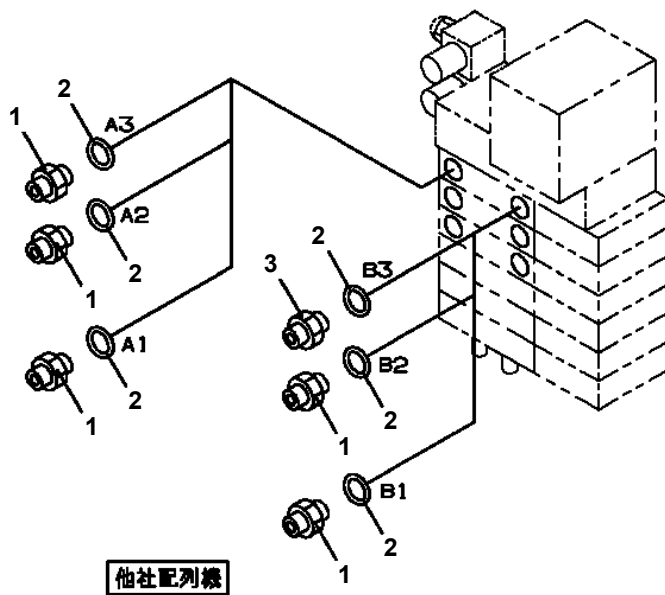
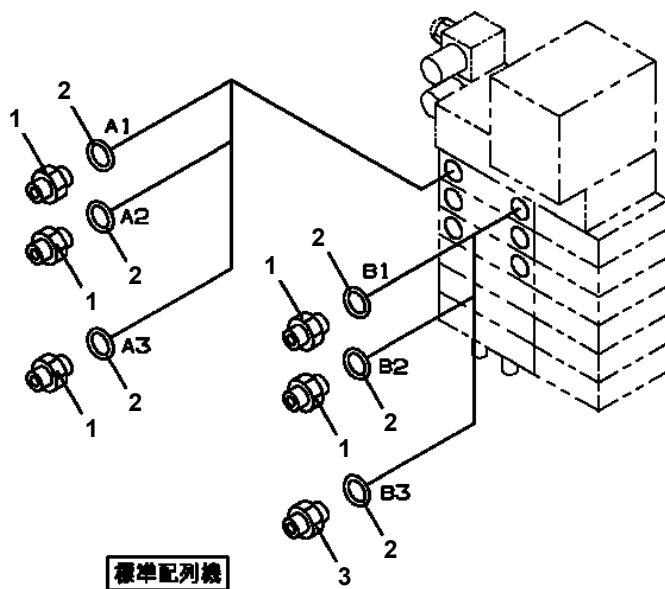
TM-ZE500 41050501154A FRAME/PRIM ECO

| Pos No. | Parts No | Parts Name | Qty | Unit | Technical Data | Serial No (Start) | Serial No (End) | Remarks | Pages |
|---------|-------------|------------|-----|------|----------------|-------------------|-----------------|---------|-------|
| 1 | 31399220400 | PLATE,NAME | 1 | | | | | | |
| 2 | 31399230400 | PLATE,NAME | 1 | | | | | | |
| 3 | 31399240400 | PLATE,NAME | 1 | | | | | | |
| 4 | 31399250400 | PLATE,NAME | 1 | | | | | | |
| 5 | 31399260400 | PLATE,NAME | 1 | | | | | | |
| 7 | 31399270400 | PLATE,NAME | 1 | | | | | | |
| 8 | 31399280400 | PLATE,NAME | 1 | | | | | | |
| 9 | 31399290400 | PLATE,NAME | 1 | | | | | | |
| 10 | 31399300400 | PLATE,NAME | 1 | | | | | | |
| 11 | 31399320400 | PLATE,NAME | 1 | | | | | | |
| 12 | 31399330400 | PLATE,NAME | 1 | | | | | | |
| 13 | 31591371400 | PLATE,NAME | 1 | | | | | | |
| 14 | 31591372400 | PLATE,NAME | 1 | | | | | | |
| 15 | 31591373400 | PLATE,NAME | 1 | | | | | | |
| 16 | 31591381400 | PLATE,NAME | 1 | | | | | | |
| 17 | 31591382400 | PLATE,NAME | 1 | | | | | | |
| 18 | 31591383400 | PLATE,NAME | 1 | | | | | | |
| 19 | 31591391400 | PLATE,NAME | 1 | | | | | | |
| 20 | 31591392400 | PLATE,NAME | 1 | | | | | | |
| 21 | 31591393400 | PLATE,NAME | 1 | | | | | | |

TM-ZE500 41050501154A FRAME/PRIM ECO

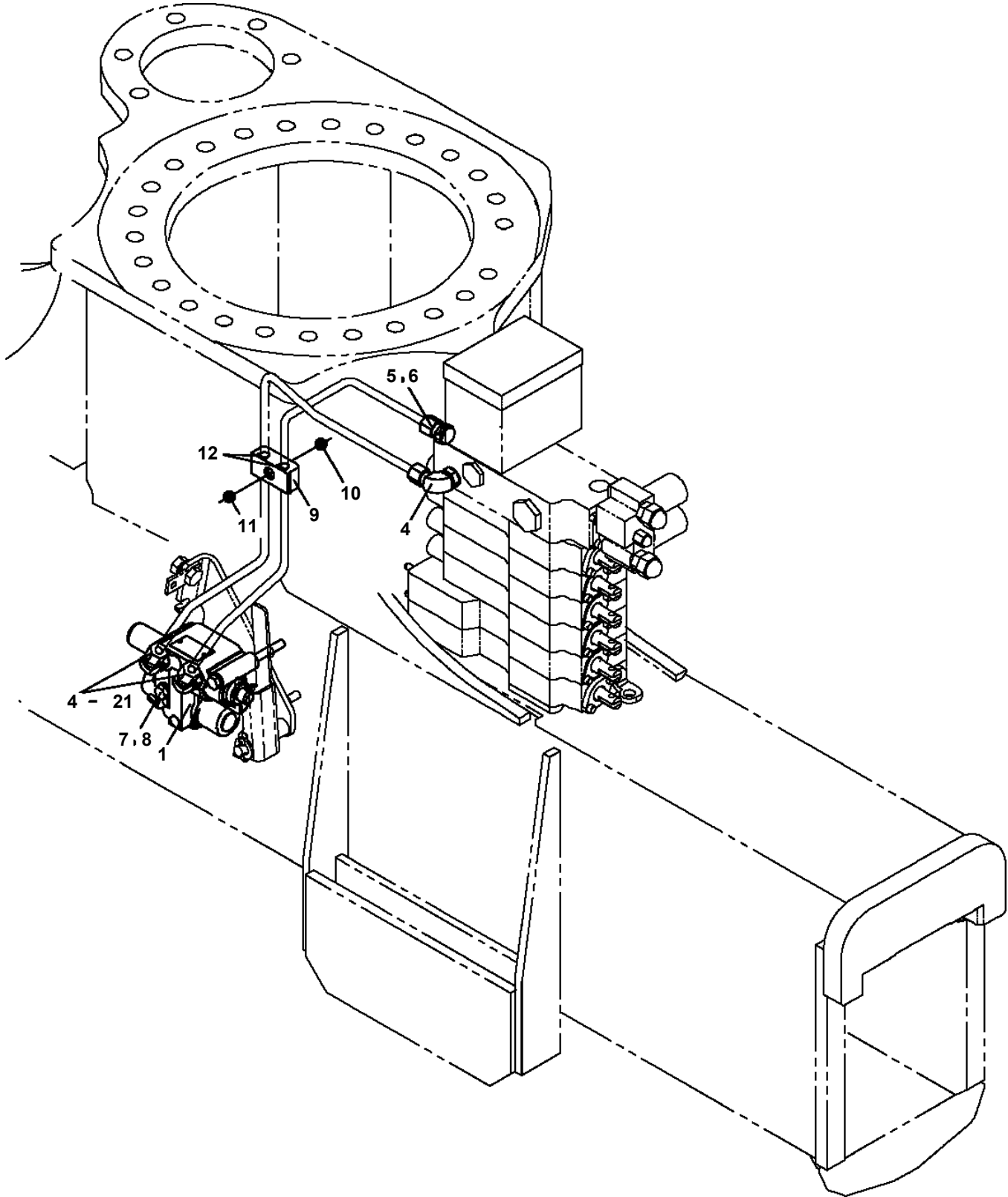
| Pos No. | Parts No | Parts Name | Qty | Unit | Technical Data | Serial No (Start) | Serial No (End) | Remarks | Pa |
|---------|-------------|---------------------|-----|------|----------------|-------------------|-----------------|---------|----|
| 1 | 80491403020 | JOINT (WITH O-RING) | 4 | | | | | | |
| 3 | 37002442200 | HOSE | 4 | | L=2100 | | | | |
| 4 | 91810130240 | FASTENER | 2 | | | | | | |
| 6 | 81408000120 | PIPE,STEEL | 3 | M | 10X1.5T | | | | |
| 7 | 80301010080 | FITTING | 8 | | KUA10-000E | | | | |
| 8 | 37000921300 | JOINT | 2 | | S,PF1/4-PF1/4 | | | | |
| 9 | 91002801100 | O-RING | 2 | | 1B P11 | | | | |
| 10 | 80303130101 | FITTING,ELBOW | 4 | | KLO10-020E | | | | |
| 11 | 37000714320 | CLAMP ASSY | 3 | | | | | | |
| 12 | 80320410020 | FITTING | 4 | | | | | | |
| 13 | 37000560350 | SUPPORT | 1 | | | | | | |
| 14 | 31642991100 | CLAMP ASSY | 2 | | | | | | |
| 19 | 90302040801 | WASHER,SPRING | 1 | | 8 | | | | |
| 20 | 37005700130 | CLAMP | 2 | | 10X2 | | | | |
| 21 | 90101208060 | BOLT | 1 | | M8X60 | | | | |
| 22 | 90303070801 | WASHER,PLAIN | 1 | | 8 | | | | |
| 23 | 90201200800 | NUT | 1 | | M8 | | | | |
| 41 | 91002801100 | O-RING | 4 | | 1B P11 | | | | |
| 51 | 91002801400 | O-RING | 4 | | 1B P14 | | | | |

TM-ZE500 41050501154A FRAME/PRIM ECO
PP6010045-00 PIPING ASSY (VALVE JOINT)

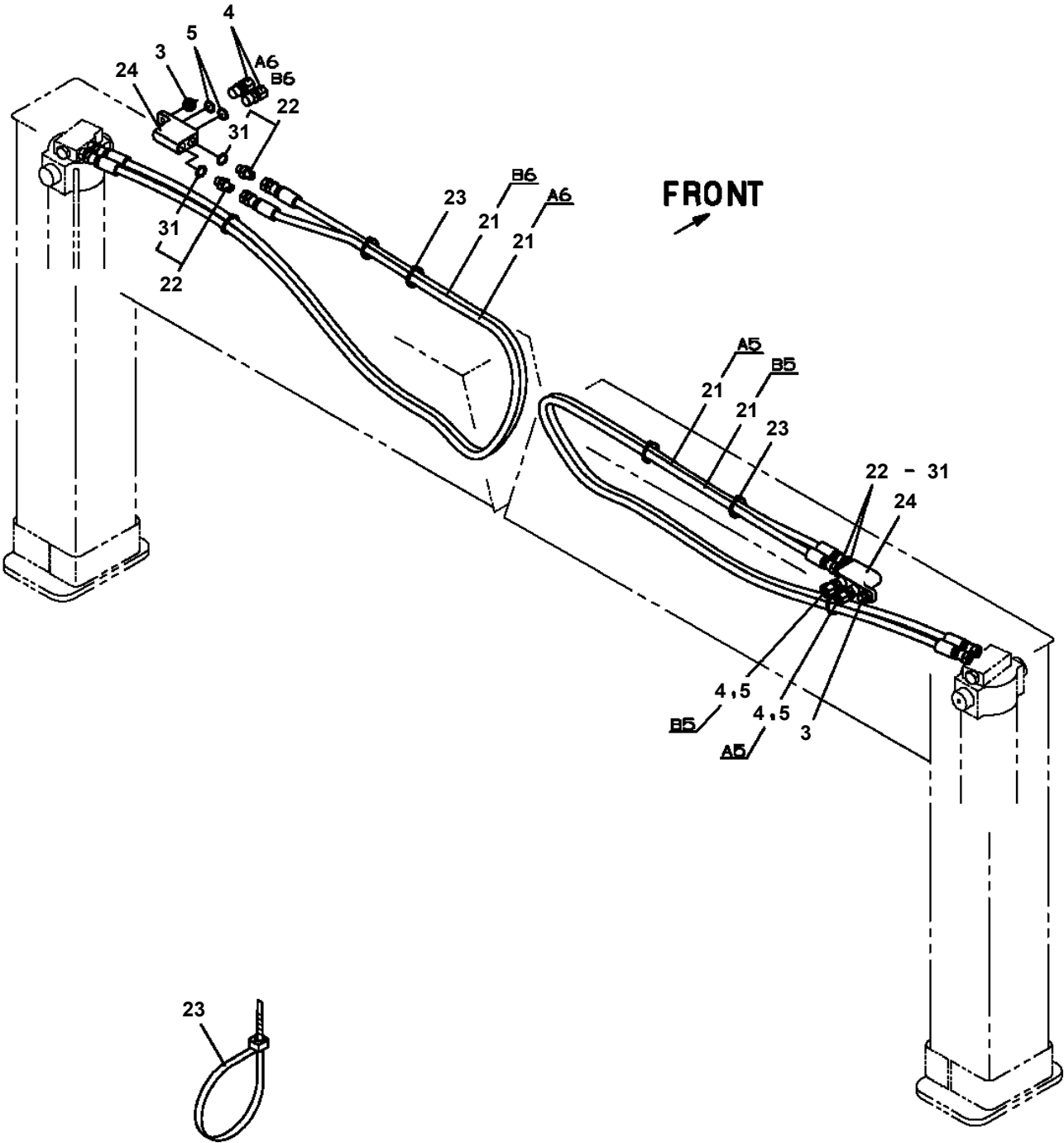


STD

TM-ZE500 41050501154A FRAME/PRIM ECO
PP6010099-00 PIPING ASSY (ACCELERATOR)

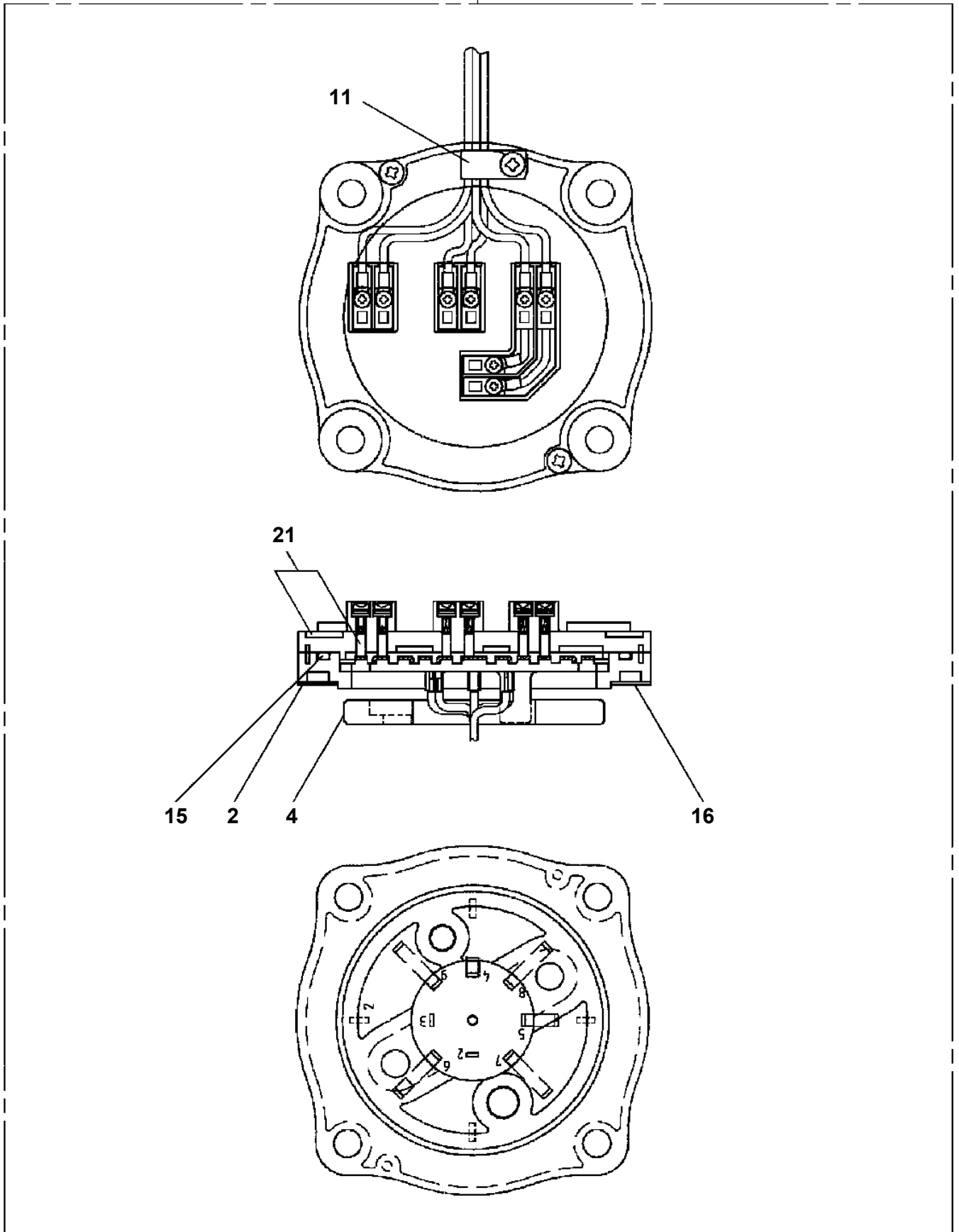


TM-ZE500 41050501154A FRAME/PRIM ECO
PP6220053-00 PIPING ASSY,OUTRIGGER

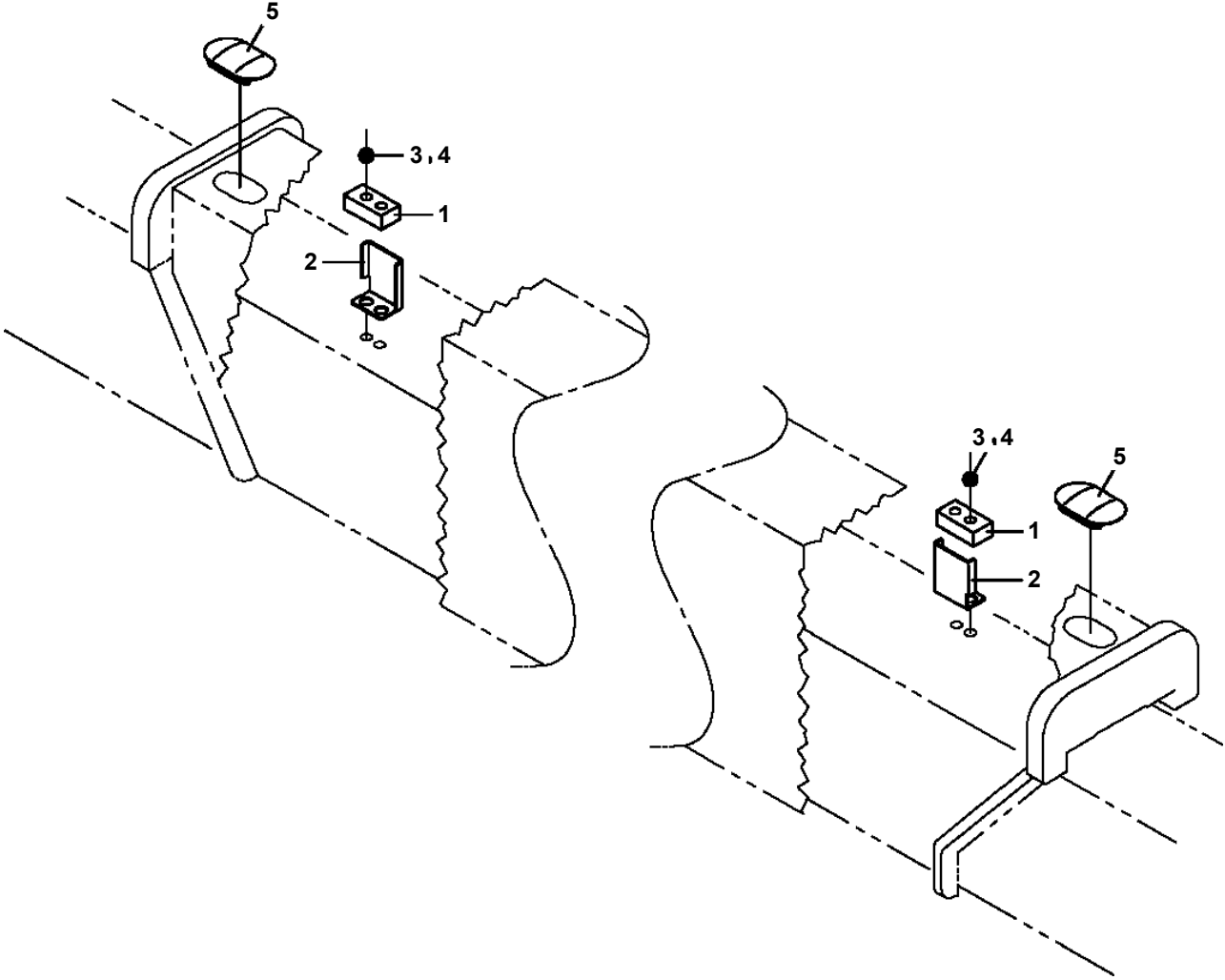


TM-ZE500 41050501154A FRAME/PRIM ECO
PR5130007-00 RING ASSY,SLIP

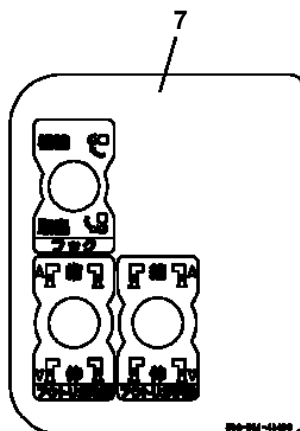
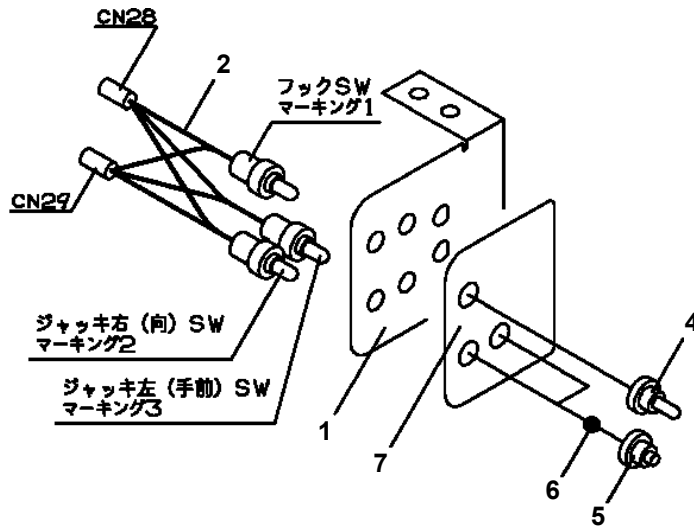
900



**TM-ZE500 41050501154A FRAME/PRIM ECO
PS5380001-00 STOPPER ASSY (OUTRIGGER)**



TM-ZE500 41050501154A FRAME/PRIM ECO
PS5530268-00 SWITCH ASSY



**TM-ZE500 41050501154A FRAME/PRIM ECO
PV1000075-02 REMOTE CONTROL SYSTEM**

リモート コントロール システム
REMOTE CONTROL SYSTEM

〔組立名称一覧〕より選択してください。
SEE THE CORRESPONDING "ASSEMBLY NAME" LIST.

TM-ZE500 41050501154A FRAME/PRIM ECO

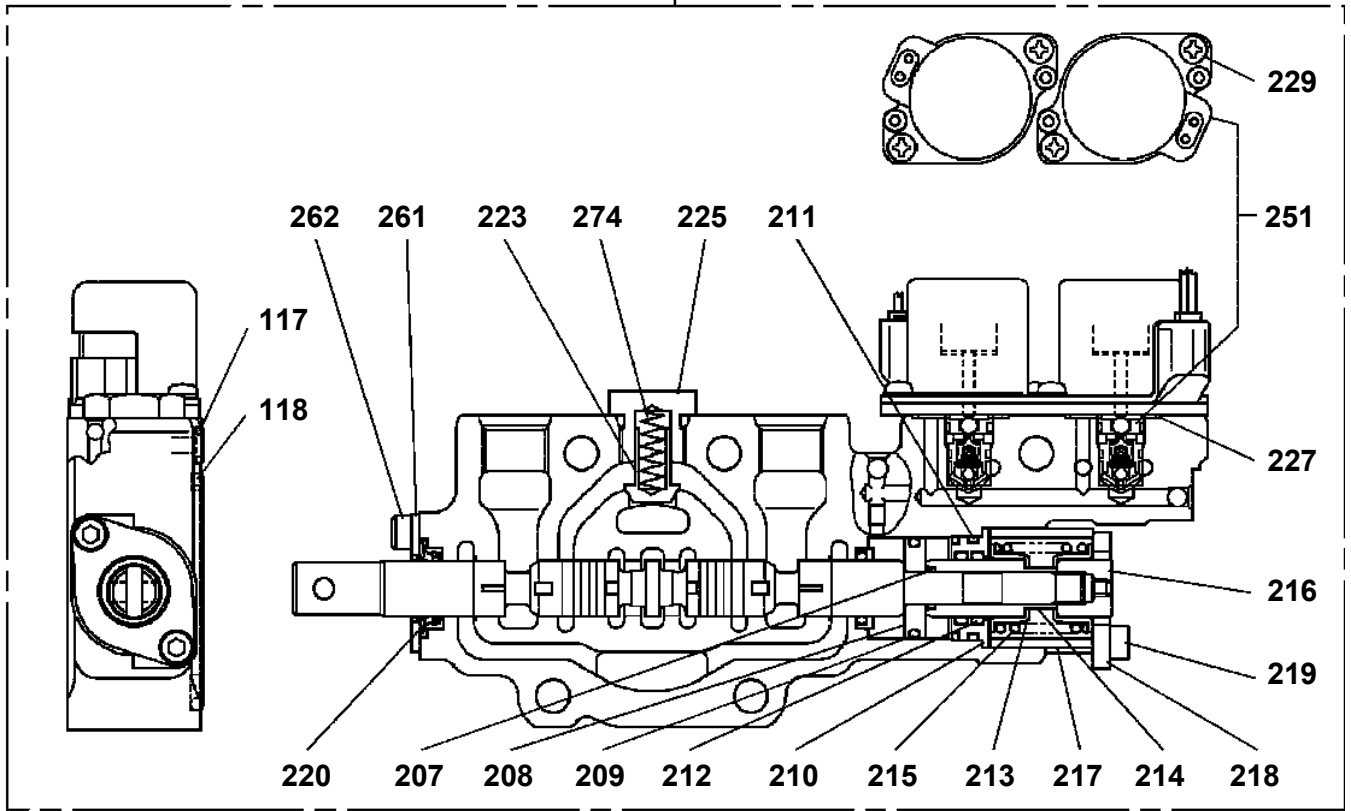
| Pos No. | Parts No | Parts Name | Qty | Unit | Technical Data | Serial No (Start) | Serial No (End) | Remarks |
|---------|-------------|----------------------|-----|------|----------------|-------------------|-----------------|---------|
| 210 | 91001002600 | O-RING | 2 | | S26 | | | |
| 211 | 36647395150 | PLUG | 1 | | M24 | | | |
| 212 | 36646875130 | ORIFICE | 1 | | M3 | | | |
| 213 | 91001101600 | O-RING | 1 | | 1A P16 | | | |
| 214 | 36646265090 | SPRING (B) | 1 | | | | | |
| 215 | 36646265080 | SPRING (A) | 1 | | | | | |
| 216 | 36645615210 | PLUG | 1 | | 24 | | | |
| 217 | 80316030060 | PLUG | 1 | | PT3/8 | | | |
| 220 | 90303070401 | WASHER,PLAIN | 1 | | 4 | | | |
| 304 | 36646875150 | ORIFICE | 1 | | M3 | | | |
| 305 | 91002800700 | O-RING | 1 | | 1B P7 | | | |
| 308 | 36647175100 | SEAT,SPRING | 1 | | | | | |
| 309 | 36635735120 | SPRING | 1 | | | | | |
| 310 | 12635101130 | SCREW (ADJUSTING) | 1 | | | | | |
| 311 | 11629431040 | PACKING | 2 | | | | | |
| 312 | 36646575090 | NUT | 1 | | | | | |
| 313 | 36630195030 | NUT,CAP | 1 | | | | | |
| 314 | 91001102200 | O-RING | 1 | | 1A P22 | | | |
| 315 | 12635101110 | SPRING (RETURN) | 1 | | | | | |
| 318 | 91002802100 | O-RING | 1 | | 1B P21 | | | |
| 319 | 36646865160 | SEAT,SPRING | 1 | | | | | |
| 320 | 36635735140 | SPRING (B) | 1 | | | | | |
| 321 | 36635735130 | SPRING (A) | 1 | | | | | |
| 322 | 91001001800 | O-RING | 2 | | S18 | | | |
| 323 | 36646865150 | COVER (FOR SOLENOID) | 1 | | | | | |
| 325 | 36646865170 | ROD,PUSH | 1 | | 8 | | | |
| 326 | 36740765070 | SOLENOID ASSY | 1 | | | | | |
| 327 | 36640735130 | PLUG | 1 | | M6 | | | |
| 328 | 36642065070 | WASHER,SEAL | 2 | | | | | |
| 329 | 90203200600 | NUT | 1 | | M6 | | | |
| 330 | 36640735140 | NUT,CAP | 1 | | M6 | | | |
| 331 | 36640625680 | TUBE (SEAL) | 1 | | | | | |
| 332 | 16623320390 | TUBE (SEAL) | 1 | | | | | |
| 425 | 36740745140 | SCREW,MACHINE | 16 | | M4X12 | | | |
| 432 | 36740855030 | VALVE,SOLENOID (KIT) | 8 | | | | | |
| 500 | 36740800001 | VALVE,REMOTE CONTROL | 1 | | | | | |

TM-ZE500 41050501154A FRAME/PRIM ECO

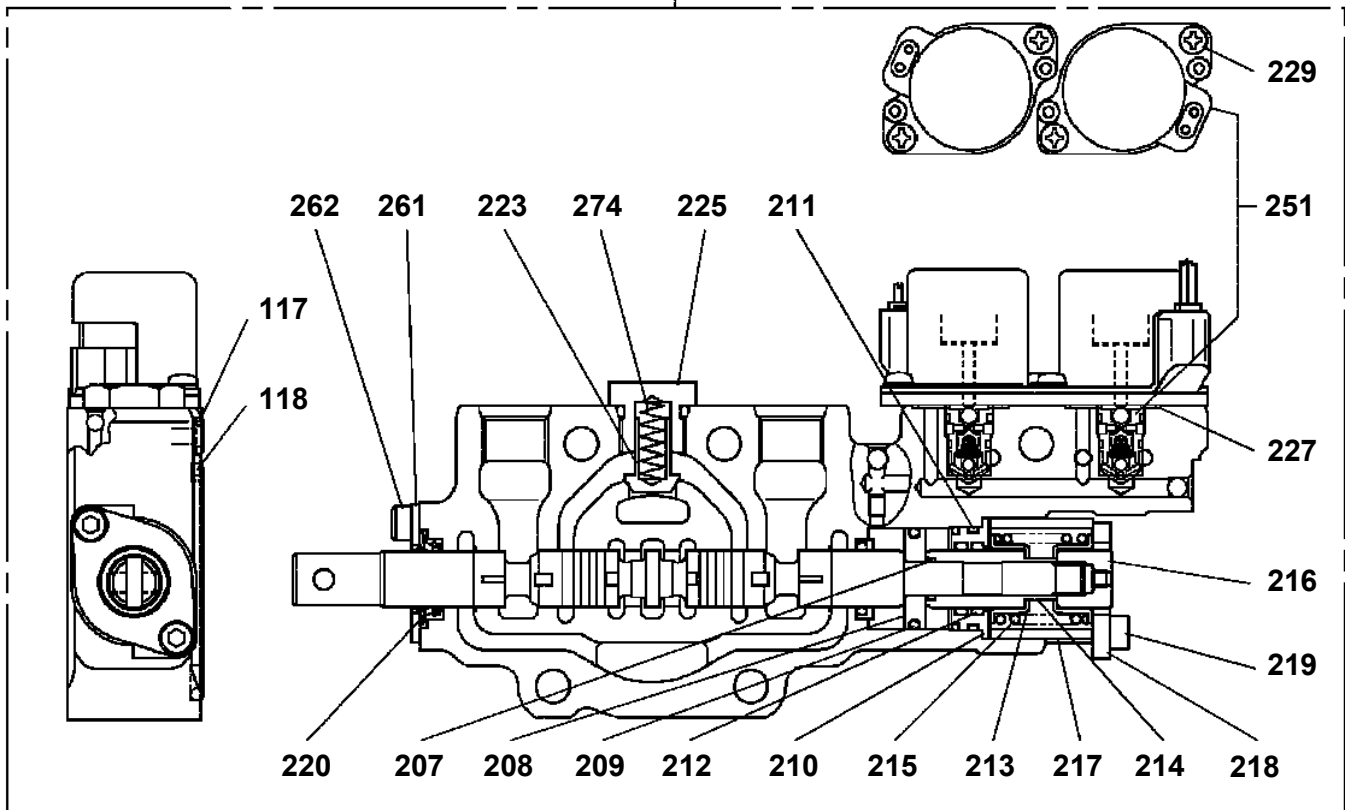
| Pos No. | Parts No | Parts Name | Qty | Unit | Technical Data | Serial No (Start) | Serial No (End) | Re |
|---------|----------|------------------------------|-----|------|----------------|-------------------|-----------------|----|
| 1 | (*****) | RADIO CONTROL | 1 | | | | | |
| 2 | (*****) | PLATE ASSY,NAME (SWITCH,BOX) | 1 | | | | | |

TM-ZE500 41050501154A FRAME/PRIM ECO
PV5150006-03 VALVE ASSY,REMOTE CONTROL

8

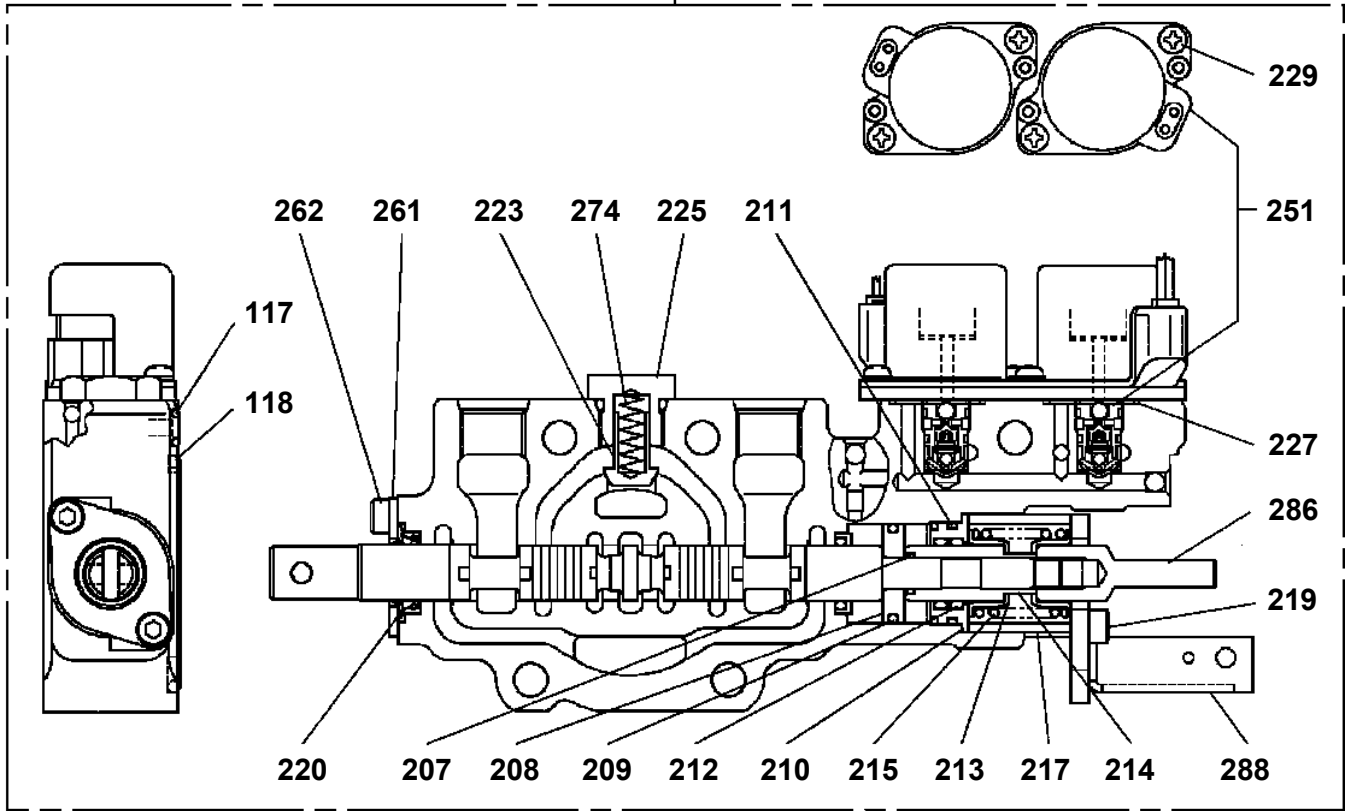


9

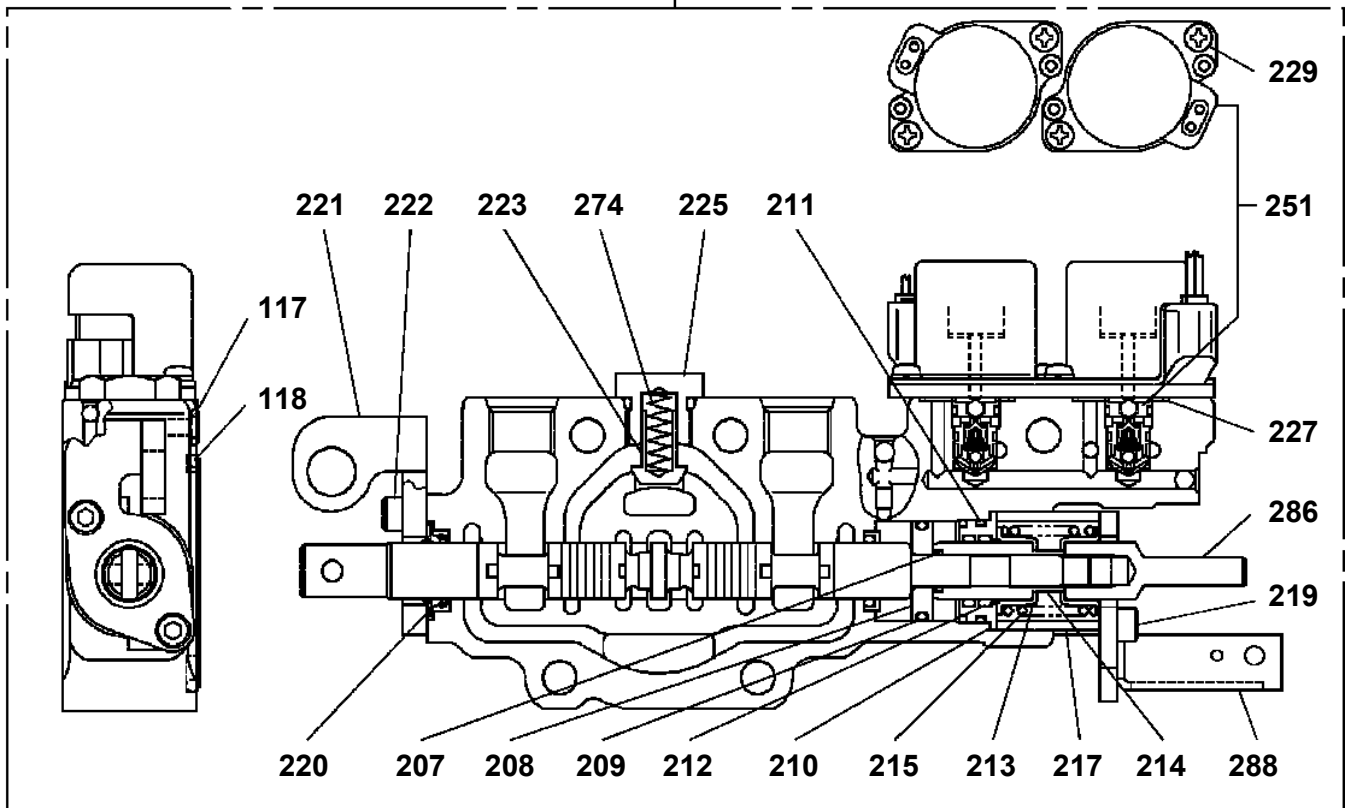


TM-ZE500 41050501154A FRAME/PRIM ECO
PV5150008-02 VALVE ASSY,REMOTE CONTROL

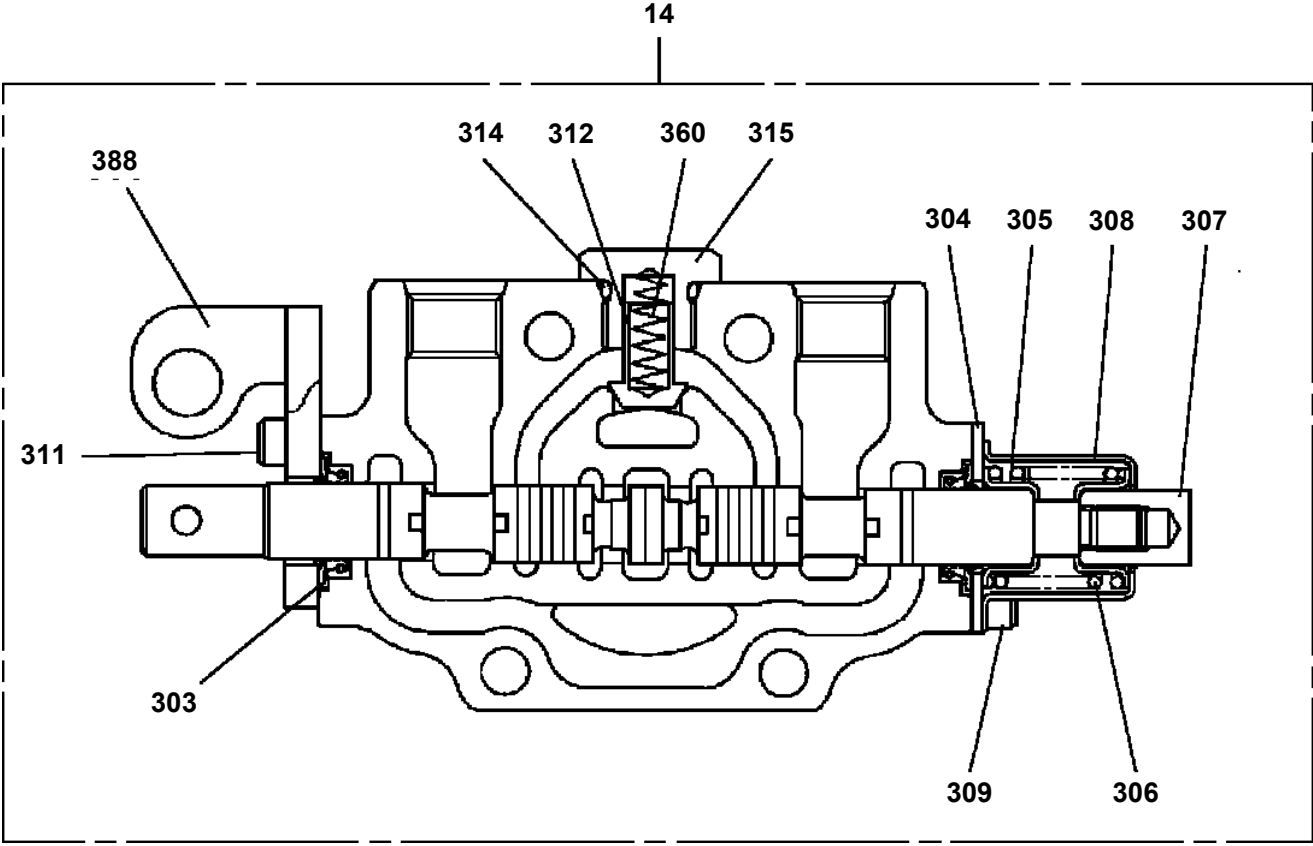
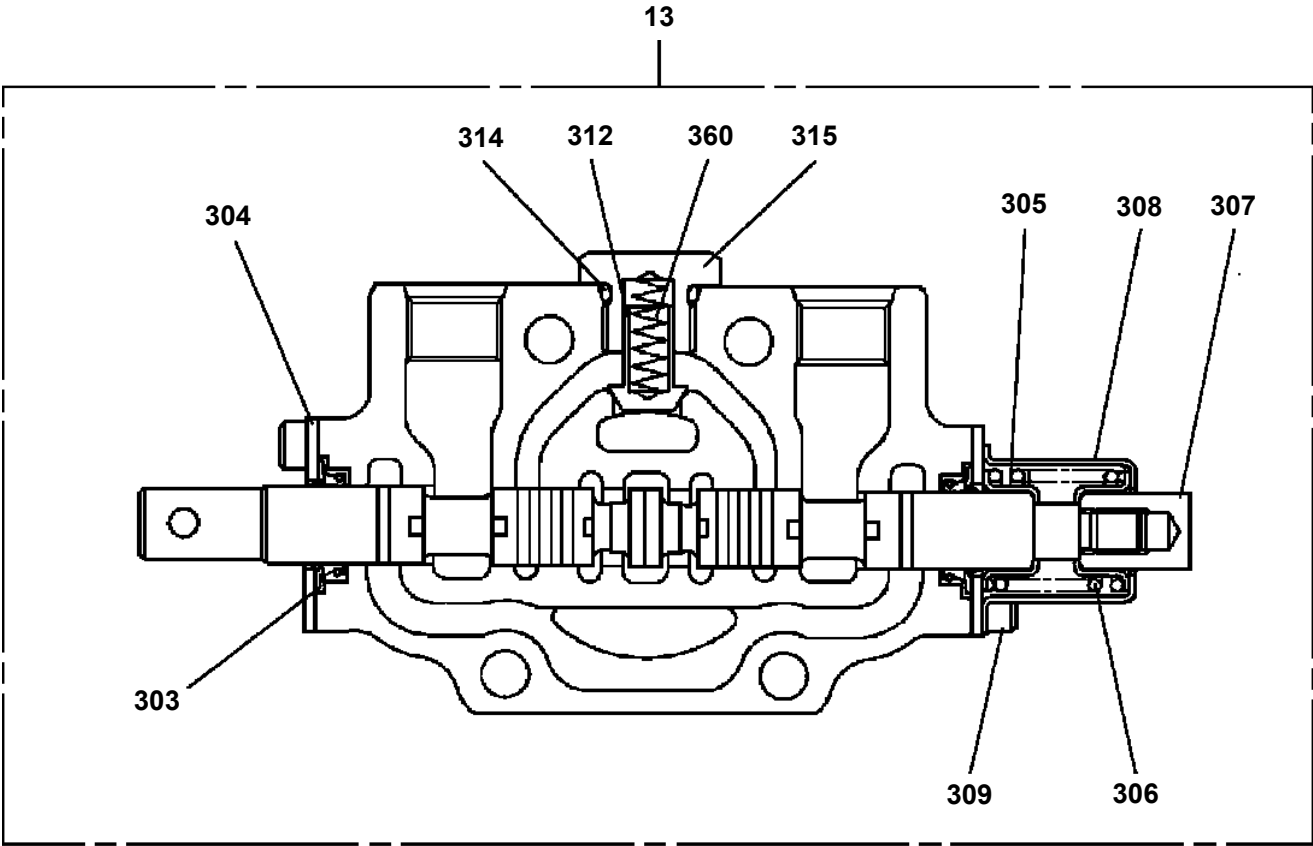
10



11



TM-ZE500 41050501154A FRAME/PRIM ECO
PV5180001-00 VALVE ASSY,SELECTOR (MANUAL CONT.)



TM-ZE500 41050501154A FRAME/PRIM ECO

| Pos No. | Parts No | Parts Name | Qty | Unit | Technical Data | Serial No (Start) | Serial No (End) | Remarks | Pa |
|---------|----------|---------------------|-----|------|----------------|-------------------|-----------------|---------|----|
| 1 | (*****) | PIPING ASSY | 1 | | | | | | 00 |
| 2 | (*****) | OPE.ASSY,CONT.VALVE | 1 | | | | | | 00 |
| 3 | (*****) | PLATE ASSY,NAME | 1 | | | | | | 00 |

TM-ZE500 41050501154A FRAME/PRIM ECO

| Pos No. | Parts No | Parts Name | Qty | Unit | Technical Data | Serial No (Start) | Serial No (End) | Remarks | Pages |
|---------|-------------|------------|-----|------|----------------|-------------------|-----------------|---------|-------|
| 1 | 31360202500 | SUPPORT | 2 | | | | | | |

TM-ZE500 41050501154A FRAME/PRIM ECO

| Pos No. | Parts No | Parts Name | Qty | Unit | Technical Data | Serial No (Start) | Serial No (End) | Remark |
|---------|----------|---------------------------|-----|------|----------------|-------------------|-----------------|--------|
| 1 | (*****) | OPE.ASSY,ACCELERATOR | 1 | | | | | |
| 2 | (*****) | ELEC.ASSY (FRAME) | 1 | | | | | |
| 3 | (*****) | PIPING ASSY (ACCELERATOR) | 1 | | | | | |

TM-ZE500 41050501154A FRAME/PRIM ECO
PY2000230-06 OPTIONS (ZE500STD)

| 指示番号 KEY NO. | 部品名称 PART NAME | 備考 REMARK |
|-----------------|--|---|
| 1 | ロックASSY LOCK ASSY | ジャッキインターロック (H・HR・PH・PHR用) |
| 2 | ロックASSY LOCK ASSY | ジャッキインターロック (HE・HRE・HREN・PHE・PHRE・PHREN用) |
| 5 | ハイセンASSY ELEC.ASSY | 非常スイッチ追加 (両側対応) (P仕様除く) |
| 6 | オペ . ASSY, ソウサバ ^レ ルブ ^レ OPE . ASSY, CONT . VALVE | 両側ジャッキレバー (U社配列共通) (H・HR・HE・HRE・HREN用) |
| 8 | ラジ ^レ コンASSY RADIO CONTROLLER ASSY | 既納車ラジコン (MH用) |
| 9 | ラジ ^レ コンASSY RADIO CONTROLLER ASSY | 既納車ラジコン (MHU用) |
| 10 | マウントASSY MOUNT ASSY | メガ式ガバナ車用エンジンコントロール (ZE500STDP以外), 適合製番: ~#PA0156 |
| 11 | マウントASSY MOUNT ASSY | メカ式ガバナ車用エンジンコントロール (ZE500STDP), 適合製番: ~#PA0156 |
| 12 | マウントASSY MOUNT ASSY | 4速電磁バルブ (ラジコン操作) ボデースライドおよびセルフウィンチ用, 適合製番: ~#PA0156 |
| 14 | アウトリカ ^レ ASSY, リヤ OUTRIGGER ASSY, REAR | 手動バルブ 回転格納式 ジャッキストローク330mm (低床車用) |
| 15 | セイノウメイバ ^レ ン PERFORMANCE DATA | 全周同一 和文性能銘板 (C性能) ZE503 |
| 16 | フレームASSY FRAME ASSY | 開電工向け キャブバックアウトリガ S13B017 |
| 17 ↓ N/A | オペ . ASSY, ソウサバ ^レ ルブ ^レ OPE . ASSY, CONT . VALVE | 両側ジャッキレバー (S13B040対応) |
| 18 | ロックASSY LOCK ASSY | ホースフリージャッキインターロック (H・HR用) |
| 19 | ロックASSY LOCK ASSY | ホースフリージャッキインターロック (HE・HRE・HREN用) |
| 20 | マウントASSY MOUNT ASSY | メカ式ガバナ車用エンジンコントロール (ZE500STDP以外), 適合製番: #PA0157~#PA962 |
| 21 | マウントASSY MOUNT ASSY | メカ式ガバナ車用エンジンコントロール (ZE500STDP), 適合製番: #PA0157~#PA962 |

適用製造番号によっては取り付けがないものもあります。

MACHINES OF SOME SERIAL NO. ARE NOT EQUIPPED WITH THESE PARTS.

TM-ZE500 41050501154A FRAME/PRIM ECO

| Pos No. | Parts No | Parts Name | Qty | Unit | Technical Data | Serial No (Start) | Serial No (End) | Remarks |
|---------|----------|------------------------|-----|------|----------------|-------------------|-----------------|---------|
| 1 | (*****) | ALARM ASSY (OUTRIGGER) | 1 | | | | | |
| 4 | (*****) | ELEC.ASSY (CARRIER) | 1 | | | | | |
| 6 | (*****) | PLATE ASSY,NAME | 1 | | | | | |
| 7 | (*****) | ELEC.ASSY (HARNESS) | 1 | | | | | |

TM-ZE500 41050501154A FRAME/PRIM ECO

| Pos No. | Parts No | Parts Name | Qty | Unit | Technical Data | Serial No (Start) | Serial No (End) | Remarks |
|---------|----------|------------------------|-----|------|----------------|-------------------|-----------------|---------|
| 1 | (*****) | ALARM ASSY (OUTRIGGER) | 1 | | | | | |
| 2 | (*****) | ELEC.ASSY (FRAME) | 1 | | | | | |
| 3 | (*****) | ELEC.ASSY (CARRIER) | 1 | | | | | |
| 5 | (*****) | PLATE ASSY,NAME | 1 | | | | | |
| 6 | (*****) | ELEC.ASSY (HARNESS) | 1 | | | | | |

TM-ZE500 41050501154A FRAME/PRIM ECO

| Pos No. | Parts No | Parts Name | Qty | Unit | Technical Data | Serial No (Start) |
|---------|----------|--|-----|------|----------------|-------------------|
| 3 | (*****) | ELEC.ASSY (CARRIER) | 1 | | | |
| 5 | (*****) | PLATE ASSY,NAME (BOOM,ELEV. STOWING FAILURE) | 1 | | | |

TM-ZE500 41050501154A FRAME/PRIM ECO

| Pos No. | Parts No | Parts Name | Qty | Unit | Technical Data | Serial No (Start) | Serial No (End) |
|---------|----------|-------------------------------------|-----|------|----------------|-------------------|-----------------|
| 4 | (*****) | NAME PLATE ASSY (STOP SPEC. & JCAS) | 1 | | | | |
| 5 | (*****) | PIPING ASSY | 1 | | | | |
| 6 | (*****) | PERFORMANCE DATA (SELEC.TABLE) | 1 | | | | |
| 7 | (*****) | ELEC.ASSY | 1 | | | | |

TM-ZE500 41050501154A FRAME/PRIM ECO

| Pos No. | Parts No | Parts Name | Qty | Unit | Technical Data | Serial No (Start) | Serial No (End) |
|---------|-------------|---------------------------------|-----|------|----------------|-------------------|-----------------|
| 8 | 91810130250 | FASTENER | 4 | | | | |
| 16 | 36132390003 | DETECTOR ASSY,LENGTH (BOOM) | 1 | | | | |
| 17 | 36140800000 | DETECTOR ASSY,ANGLE (ASSY ONLY) | 1 | | | | |
| 18 | 37000314890 | SPACER | 2 | | L=30 | | |
| 19 | 90101206045 | BOLT | 2 | | M6X45 | | |
| 20 | 82100001804 | TUBE,CORRUGATE | 2 | M | 15 | | |
| 22 | 90280200600 | NUT,FLANGE | 4 | | M6 | | |
| 24 | 91810130240 | FASTENER | 1 | | | | |
| 25 | 82100002052 | CLAMP | 1 | | | | |

TM-ZE500 41050501154A FRAME/PRIM ECO

| Pos No. | Parts No | Parts Name | Qty | Unit | Technical Data | Serial No (Start) | Serial |
|---------|-------------|--|-----|------|----------------|-------------------|--------|
| 1 | (*****) | PARTS ASSY,RADIO CONTROLLER | 1 | | | | |
| 2 | (*****) | OPE.ASSY,CONT.VALVE (COMMON) | 1 | | | | |
| 3 | (*****) | ELEC.ASSY (PANEL SWITCH) | 1 | | | | |
| 4 | (*****) | ELEC.ASSY (FRAME SWITCH) | 1 | | | | |
| 5 | (*****) | PIPING ASSY (SWING LOCK) | 1 | | | | |
| 6 | (*****) | PIPING ASSY (VALVE JOINT) | 1 | | | | |
| 7 | (*****) | PIPING,LOWER (RADICON./REPLACE FILTER) | 1 | | | | |
| 8 | 36740890000 | VALVE ASSY,REMOTE CONTROL | 1 | | | | |
| 9 | (*****) | NAME PLATE ASSY (CONTROL) | 1 | | | | |
| 10 | (*****) | PLATE ASSY,NAME (PANEL) | 1 | | | | |
| 11 | (*****) | OPE.ASSY,CONT.VALVE (TDN-LAYOUT) | 1 | | | | |
| 12 | (*****) | ELEC.ASSY (JACK CONTROL) | 1 | | | | |
| 13 | (*****) | NAME PLATE ASSY (JACK CONTROL) | 1 | | | | |

CLICK HERE TO **DOWNLOAD** THE COMPLETE MANUAL

- Thank you very much for reading the preview of the manual.
- You can download the complete manual from: www.heydownloads.com by clicking the link below



- Please note: If there is no response to CLICKING the link, please download this PDF first and then click on it.

CLICK HERE TO **DOWNLOAD** THE COMPLETE MANUAL