

# **TM-ZE260 41008401245A FRAME/SAFETY EYES**

**PB0000154-01 SYSTEM (ZE260SL,DOMESTIC)**

**ASSEMBLY**

CLICK HERE TO **DOWNLOAD** THE COMPLETE MANUAL

- Thank you very much for reading the preview of the manual.
- You can download the complete manual from: [www.heydownloads.com](http://www.heydownloads.com) by clicking the link below



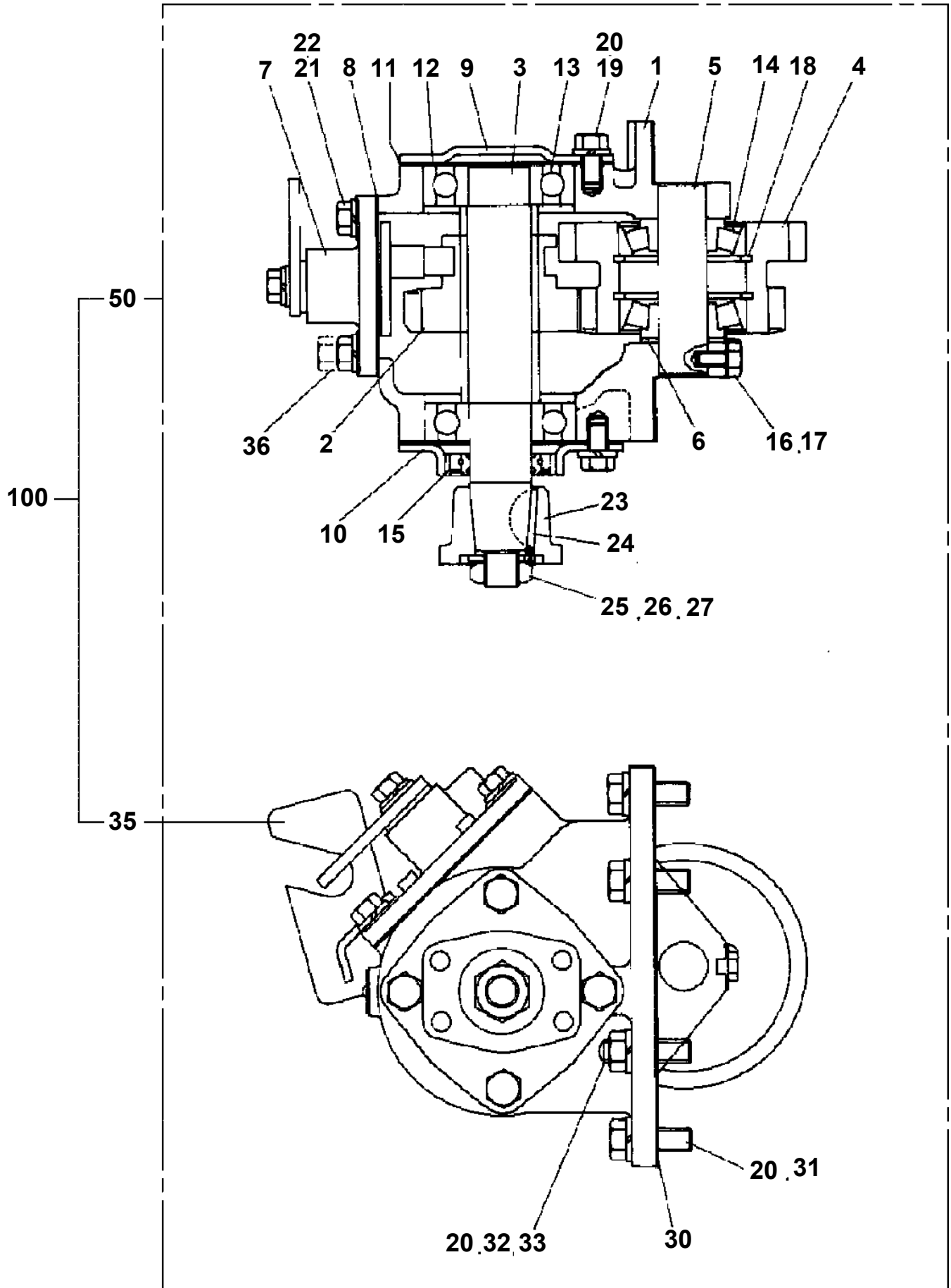
- Please note: If there is no response to CLICKING the link, please download this PDF first and then click on it.

CLICK HERE TO **DOWNLOAD** THE COMPLETE MANUAL

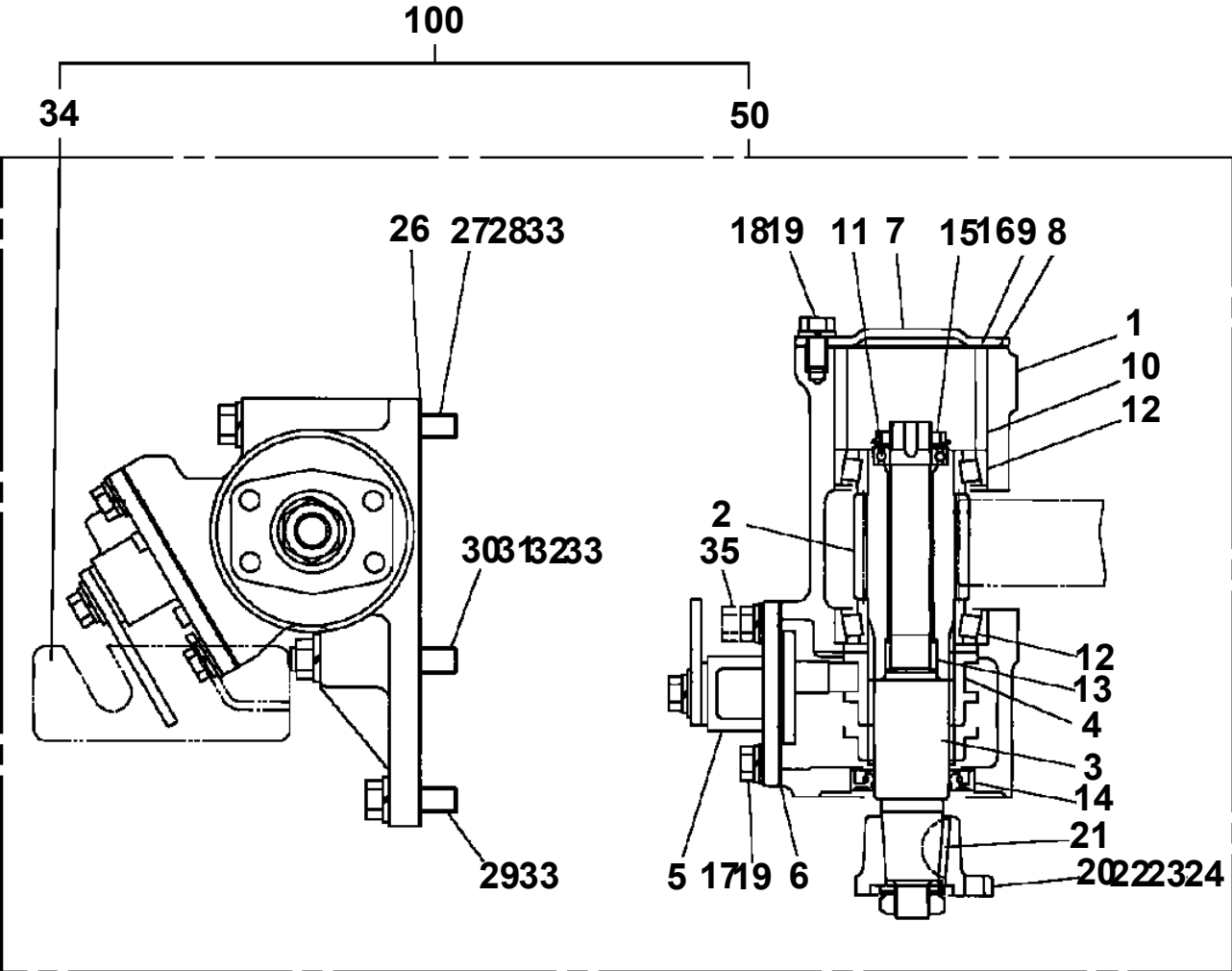
**TM-ZE260 41008401245A FRAME/SAFETY EYES**

Pos No.	Parts No	Parts Name	Qty	Unit	Technical Data	Serial No (Start)	Serial No (End)	R
1	31792370000	POWER TAKE OFF	1					
	31792380000	POWER TAKE OFF	1					
	31792260000	POWER TAKE OFF	1					
	31792100000	POWER TAKE OFF	1					
	31792090000	POWER TAKE OFF	1					
	31790880000	POWER TAKE OFF	1					
	31792270000	POWER TAKE OFF	1					
	31790890000	POWER TAKE OFF	1					
	31790900000	POWER TAKE OFF	1					
	31790990000	POWER TAKE OFF	1					
	31792080000	POWER TAKE OFF	1					
	31792150000	POWER TAKE OFF	1					
2	31791110000	POWER TAKE OFF	1					
	31791170000	POWER TAKE OFF	1					
	31791570000	POWER TAKE OFF	1					
	31791610000	POWER TAKE OFF	1					
	31791180000	POWER TAKE OFF	1					
	31791120000	POWER TAKE OFF	1					
	31791100000	POWER TAKE OFF	1					
	31792250000	POWER TAKE OFF	1					
	31791240000	POWER TAKE OFF	1					
	31791130000	POWER TAKE OFF	1					
	31791190000	POWER TAKE OFF	1					
	31791080000	POWER TAKE OFF	1					
	31792480000	POWER TAKE OFF	1					
	31790970000	POWER TAKE OFF	1					
	31792220000	POWER TAKE OFF	1					
	31792120000	POWER TAKE OFF	1					
	31792230000	POWER TAKE OFF	1					
	31792240000	POWER TAKE OFF	1					
	31790710000	POWER TAKE OFF	1					
	31790730000	POWER TAKE OFF	1					
	31791090000	POWER TAKE OFF	1					
	31792490000	POWER TAKE OFF	1					
	31791220000	POWER TAKE OFF	1					
	31791620000	POWER TAKE OFF	1					
3	31791180000	POWER TAKE OFF	1					
	31791090000	POWER TAKE OFF	1					
	31790710000	POWER TAKE OFF	1					
	31792220000	POWER TAKE OFF	1					
	31791620000	POWER TAKE OFF	1					
	31791570000	POWER TAKE OFF	1					
	31791240000	POWER TAKE OFF	1					
	31791220000	POWER TAKE OFF	1					
	31791190000	POWER TAKE OFF	1					
	31791080000	POWER TAKE OFF	1					
	31790970000	POWER TAKE OFF	1					
	31792120000	POWER TAKE OFF	1					
	31792250000	POWER TAKE OFF	1					
	31790730000	POWER TAKE OFF	1					
	31792240000	POWER TAKE OFF	1					
	31792230000	POWER TAKE OFF	1					
	31791170000	POWER TAKE OFF	1					
	31791130000	POWER TAKE OFF	1					
	31791120000	POWER TAKE OFF	1					
	31791110000	POWER TAKE OFF	1					
	31791100000	POWER TAKE OFF	1					
	31791050000	POWER TAKE OFF	1					
	31791610000	POWER TAKE OFF	1					
4	31790730000	POWER TAKE OFF	1					
	31790710000	POWER TAKE OFF	1					
5	52230314000	POWER TAKE OFF	1					
	31790870000	POWER TAKE OFF	1					

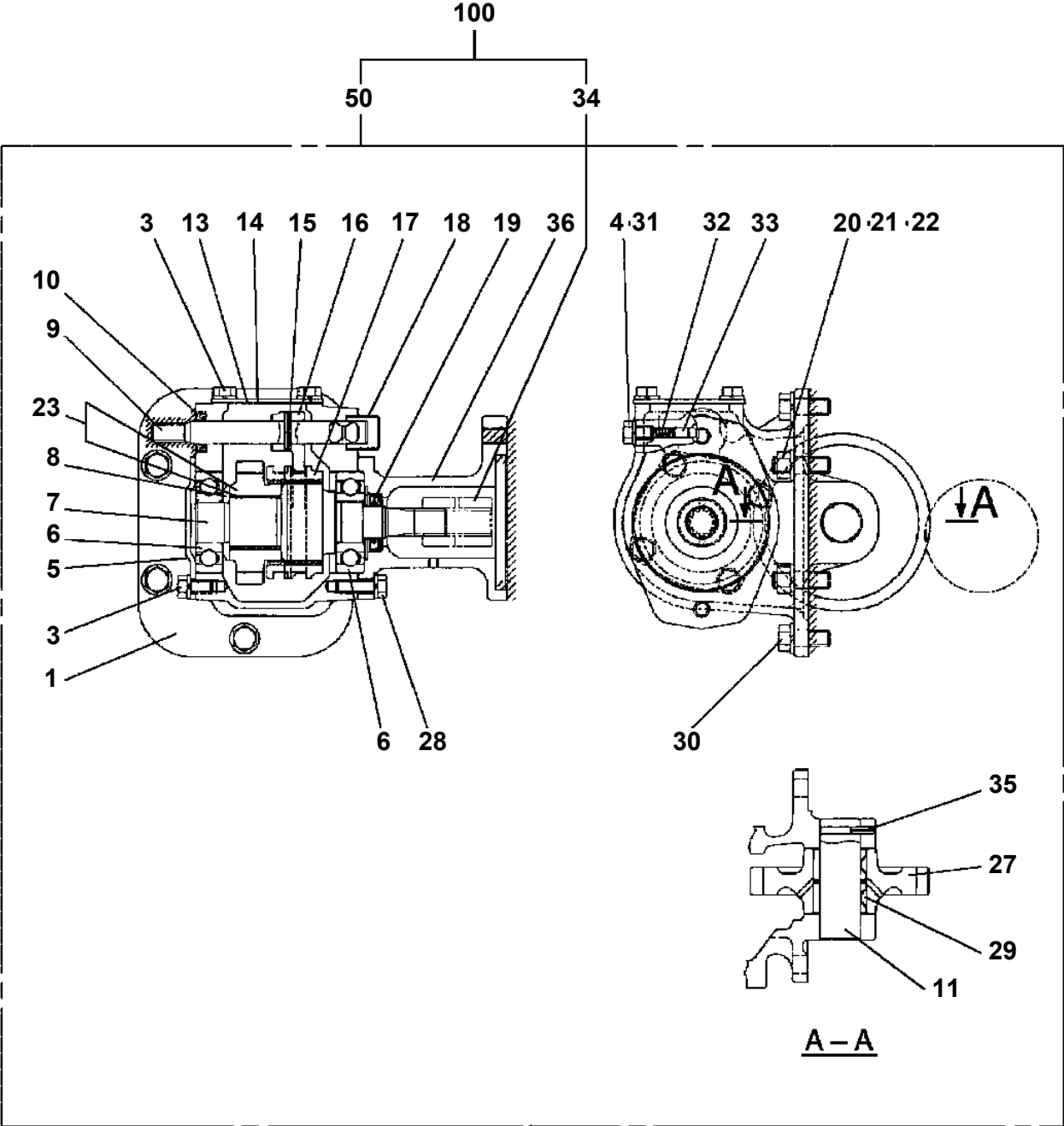
TM-ZE260 41008401245A FRAME/SAFETY EYES  
PB1030063-02 POWER TAKE OFF



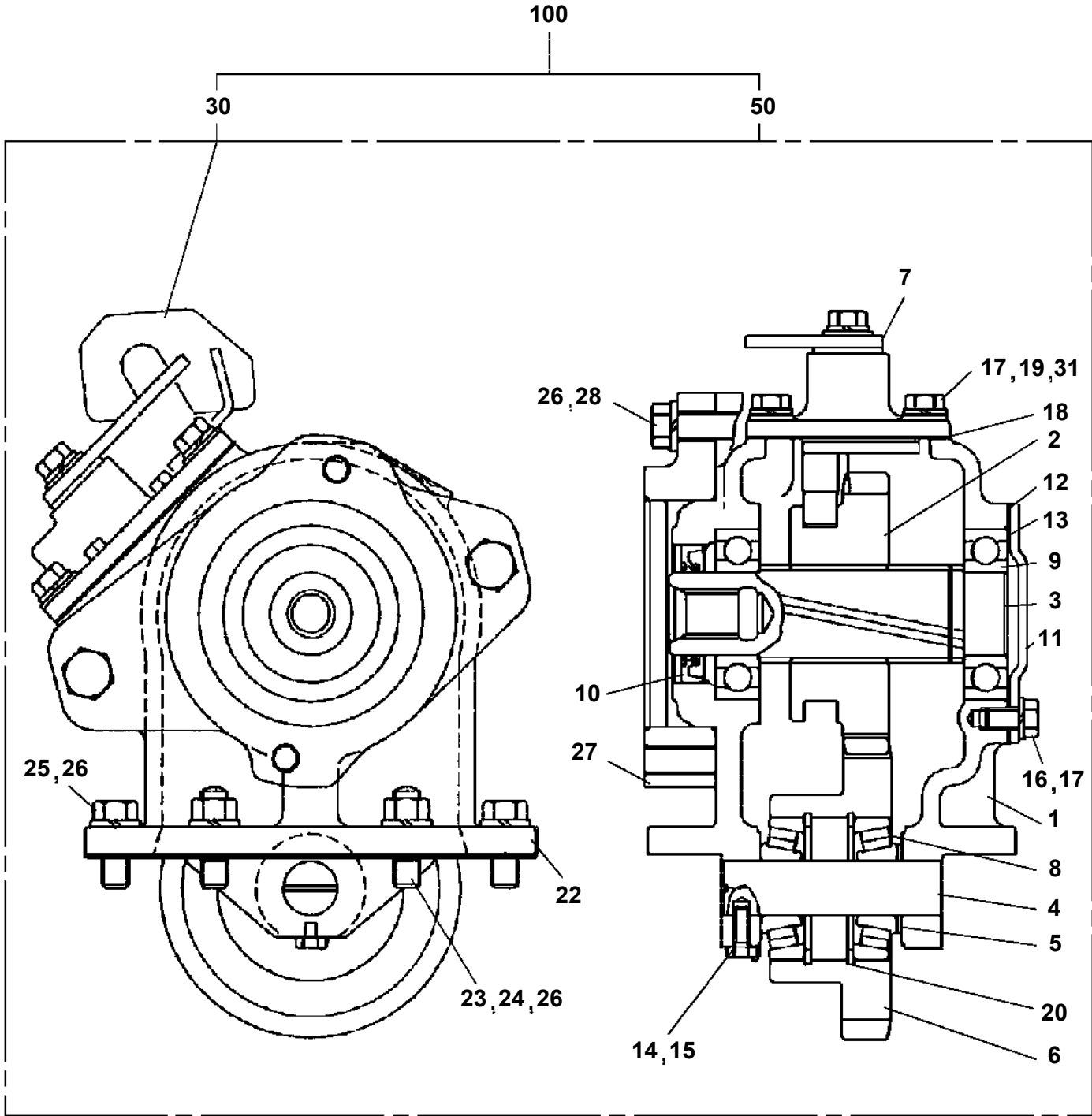
**TM-ZE260 41008401245A FRAME/SAFETY EYES  
PB1030131-01 POWER TAKE OFF**



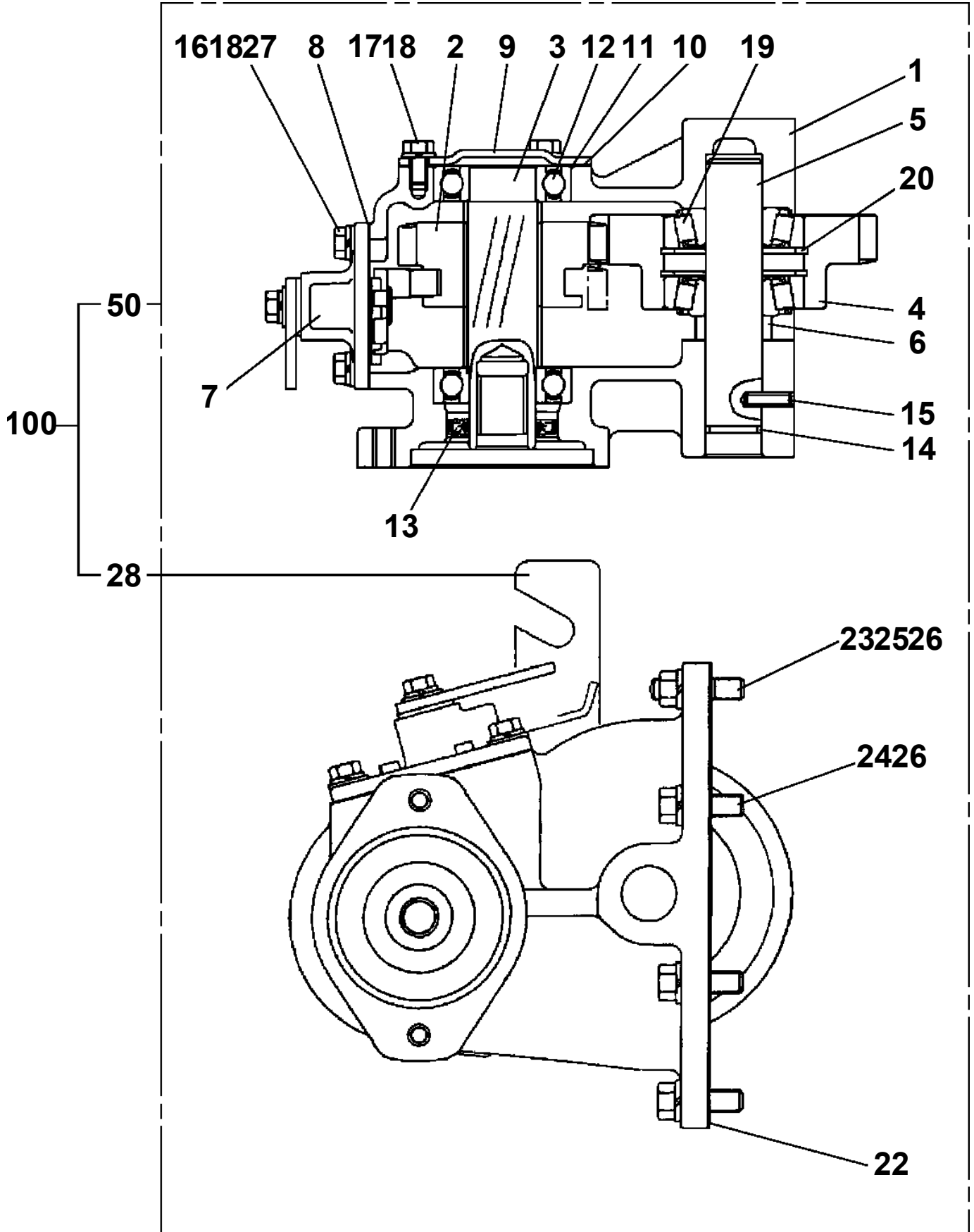
TM-ZE260 41008401245A FRAME/SAFETY EYES  
PB1030163-02 POWER TAKE OFF



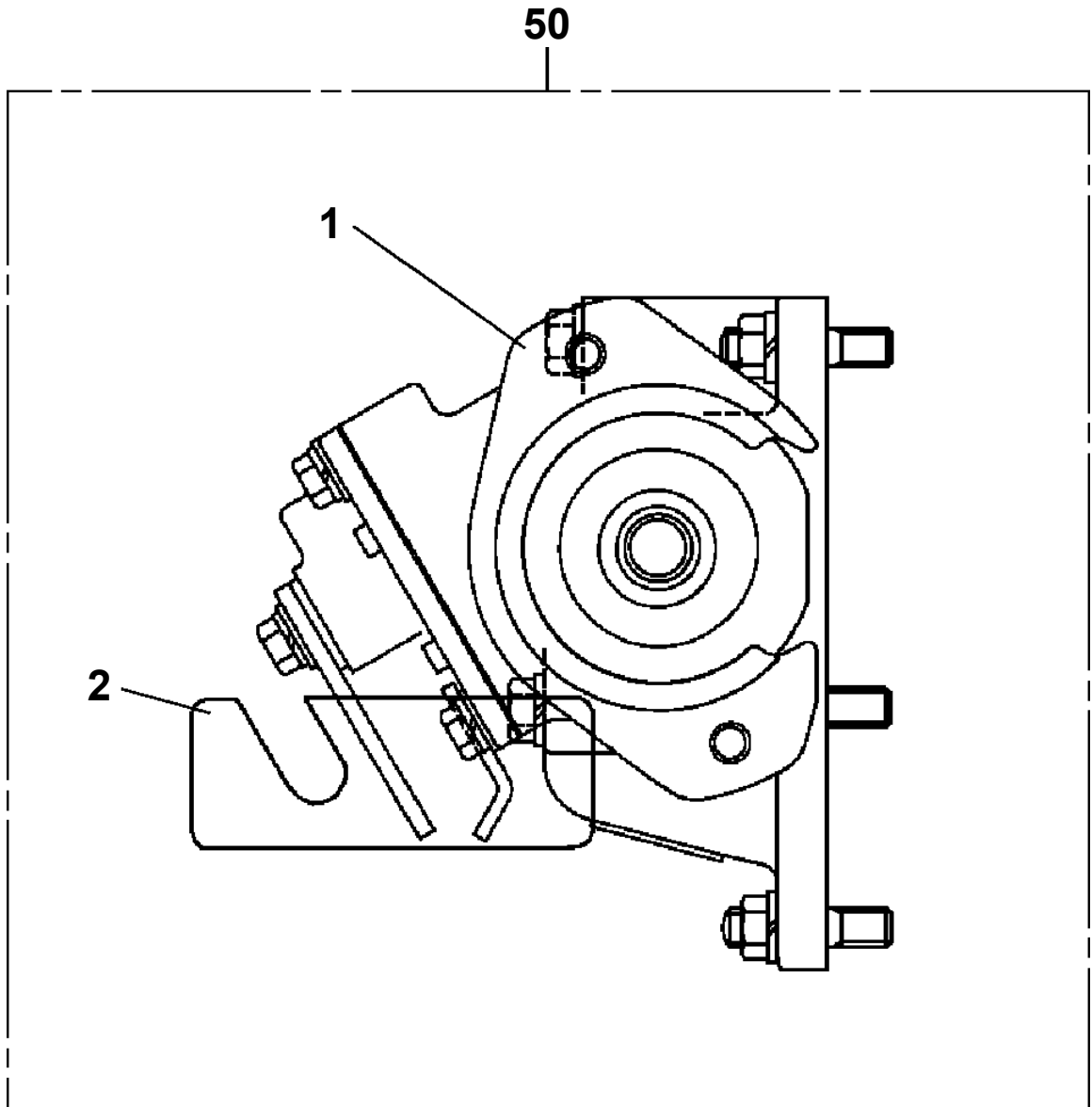
TM-ZE260 41008401245A FRAME/SAFETY EYES  
PB1030171-02 POWER TAKE OFF



TM-ZE260 41008401245A FRAME/SAFETY EYES  
PB1030192-01 POWER TAKE OFF



TM-ZE260 41008401245A FRAME/SAFETY EYES  
PB1030204-00 POWER TAKE OFF



## TM-ZE260 41008401245A FRAME/SAFETY EYES

Pos No.	Parts No	Parts Name	Qty	Unit	Technical Data	Serial No (Start)	Serial No (End)	Remarks
1	36401895070	CASE	1					
2	36401885020	GEAR	1					
3	36400915030	SHAFT	1					
4	36401885030	GEAR	1					
5	36400415050	SHAFT	1					
6	36400675030	COLLAR	1					
7	36400095100	SHIFTER ASSY	1					
8	36400095110	PACKING	1					
9	36400095070	COVER (BEARING)	1					
10	36400095080	PACKING (COVER)	1					
11	36400095090	SHIM	N					
12	80500006206	BEARING,BALL	2					
13	91206030005	SEAL,OIL	1					
14	91001102100	O-RING	1		1A P21			
15	90710006200	SCREW,SET	1		M6X20			
16	90191208020	BOLT	4		M8X20			
17	90191208014	BOLT	3		M8X14			
18	90302040801	WASHER,SPRING	7		8			
19	36400135070	BEARING	2					
20	80602110620	RING,RITAINING	2		R62			
22	36401885050	PACKING	1					
24	90191210030	BOLT	6		M10X30			
25	90267201000	NUT	2		M10			
26	90302041001	WASHER,SPRING	8		10			
28	31790670100	SUPPORT	1					
29	90191208025	BOLT	2		M8X25			
60	36402100000	POWER TAKE OFF ASSY	1					
61	36401695040	BOLT,STUD	2		M10X1.25/1.5X47			
100	31791240000	POWER TAKE OFF	1					

# TM-ZE260 41008401245A FRAME/SAFETY EYES

Pos No.	Parts No	Parts Name	Qty	Unit	Technical Data	Serial No (Start)	Serial No (End)	Remarks	Pages
1	36401135050	CASE	1						
2	36401135060	GEAR (TO)	1						
3	36401125030	SHAFT (TO)	1						
4	36401125040	SLEEVE	1						
5	36401125050	SHIFTER SET	1						
6	36400095110	PACKING	1						
7	36400095070	COVER (BEARING)	1						
8	36400095080	PACKING (COVER)	1						
9	36400095090	SHIM	N						
10	36401135070	COLLAR	1						
11	80500006903	BEARING,BALL	1						
12	36401125080	BEARING,ROLLER	2						
13	36401125090	BEARING,NEEDLE	1						
14	91206030005	SEAL,OIL	1						
15	36401125100	RING,RETAINING	1						
16	90191208020	BOLT	4		M8X20				
17	90191208014	BOLT	3		M8X14				
18	90302040801	WASHER,SPRING	7		8				
20	36402015020	PACKING	2						
21	36402025030	BOLT	1		M10X1.5X115				
22	36402015040	BOLT	1		M10X1.5X105				
23	90191210045	BOLT	2		M10X45				
24	36402015010	BOLT,STUD	1						
25	36402025010	BOLT,STUD	1						
26	90267201000	NUT	2		M10				
27	90302041001	WASHER,SPRING	6		10				
28	36402025020	SPACER	1						
30	90191208025	BOLT	2		M8X25				
51	36402020000	POWER TAKE OFF	1						
52	31790880100	SUPPORT	1						
100	31792090000	POWER TAKE OFF	1						

# TM-ZE260 41008401245A FRAME/SAFETY EYES

Pos No.	Parts No	Parts Name	Qty	Unit	Technical Data	Serial No (Start)	Serial No (End)	Remarks
1	36401995010	CASE	1					
2	36401995020	GEAR	1					
3	36402125010	SHAFT	1					
4	36400095040	SHAFT	1					
5	36400095050	COLLAR	1					
6	36401995040	GEAR	1					
7	36400095070	COVER (BEARING)	1					
8	36400095080	PACKING (COVER)	1					
9	36400095090	SHIM	N					
10	36401995050	SHIFTER ASSY	1					
11	36400095110	PACKING	1					
12	80500006206	BEARING,BALL	2					
13	91206030005	SEAL,OIL	1					
14	90191208014	BOLT	3		M8X14			
15	90191208020	BOLT	4		M8X20			
16	90101206012	BOLT	1		M6X12			
17	90302040801	WASHER,SPRING	7		8			
18	36400095130	WASHER	1					
19	36401745060	BEARING	2					
20	80602110470	RING,RITAINING	2		R47			
22	36400055070	PACKING	1					
23	36401995060	BOLT	4					
24	90267401000	NUT	4		M10			
25	90302041001	WASHER,SPRING	6		10			
26	90193510035	BOLT	2		M10X35			
28	90191208025	BOLT	2		M8X25			
50	36402120000	POWER TAKE OFF ASSY	1					
60	31791160100	SUPPORT	1					
100	31792240000	POWER TAKE OFF	1					

## TM-ZE260 41008401245A FRAME/SAFETY EYES

Pos No.	Parts No	Parts Name	Qty	Unit	Technical Data	Serial No (Start)	Serial No (End)	Remarks
1	36402470510	CASE	1					
2	36402470520	GEAR	1					
3	36402470530	SHAFT	1					
4	36401125040	SLEEVE	1					
5	36401125050	SHIFTER SET	1					
6	36400095110	PACKING	1					
7	36400095070	COVER (BEARING)	1					
8	36400095080	PACKING (COVER)	1					
9	36400095090	SHIM	N					
10	36402470540	COLLAR	1					
11	80500006903	BEARING,BALL	1					
12	36401125080	BEARING,ROLLER	2					
13	36401125090	BEARING,NEEDLE	1					
14	91206030005	SEAL,OIL	1					
15	36401125100	RING,RETAINING	1					
16	90191208020	BOLT	4		M8X20			
17	90191208014	BOLT	3		M8X14			
18	90302040801	WASHER,SPRING	7		8			
20	36402015020	PACKING	2					
21	36402035040	BOLT	1		M10X1.5X120			
22	36402035050	BOLT	1		M10X1.5X110			
23	90191210050	BOLT	2		M10X50			
24	36402035010	BOLT,STUD	1					
25	36402035020	BOLT,STUD	1					
26	90267201000	NUT	2		M10			
27	90302041001	WASHER,SPRING	6		10			
28	36402470550	SPACER	1					
30	90191208025	BOLT	2		M8X25			
50	36402470000	POWER TAKE OFF ASSY	1					
60	31790990100	SUPPORT	1					
100	31792370000	POWER TAKE OFF	1					

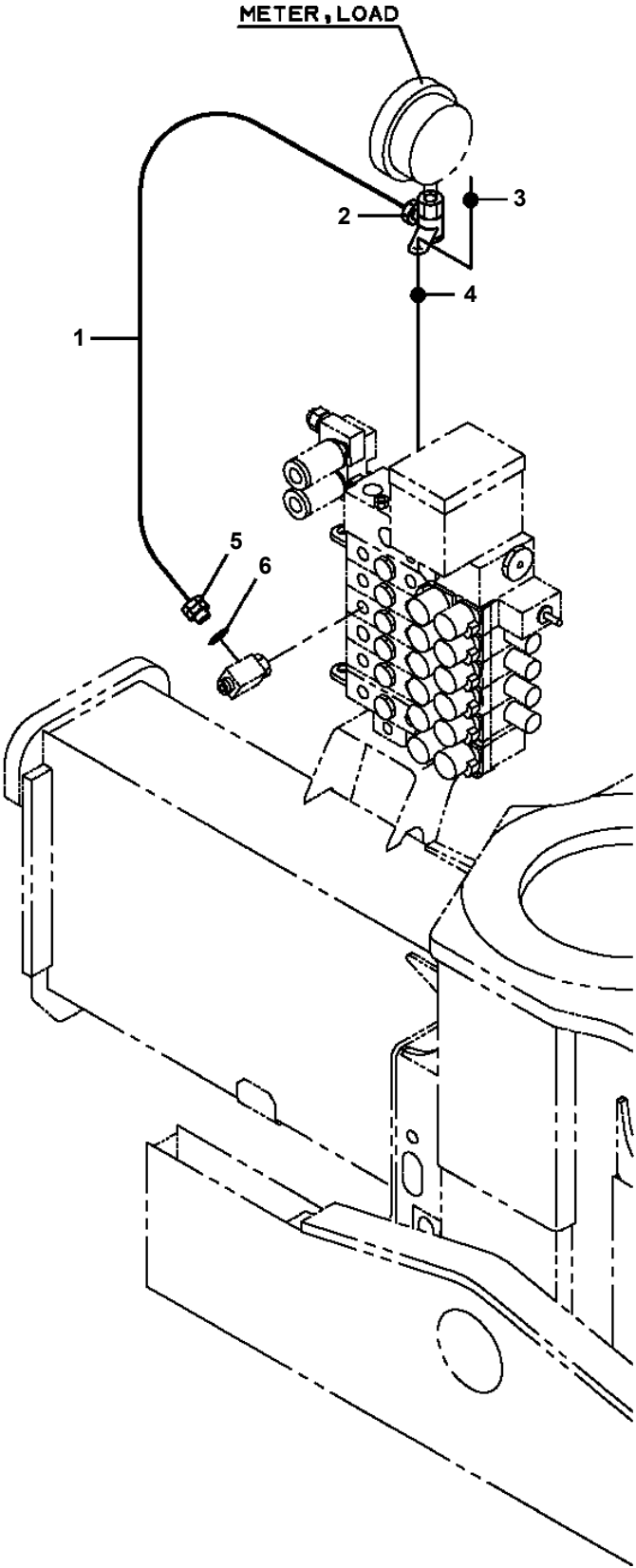
# TM-ZE260 41008401245A FRAME/SAFETY EYES

Pos No.	Parts No	Parts Name	Qty	Unit	Technical Data	Serial No (Start)	Serial No (End)	Remarks	Pages
1	31631881001	PLATE	1						
2	90171112022	BOLT	2		M12X22				
3	31631222000	CAP	1						
4	90302041201	WASHER,SPRING	2		12				

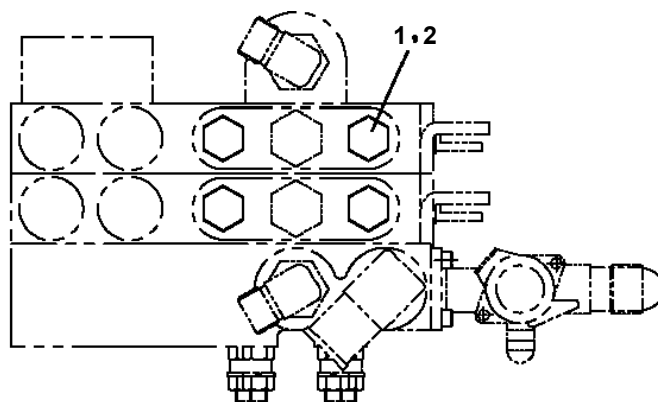
# TM-ZE260 41008401245A FRAME/SAFETY EYES

Pos No.	Parts No	Parts Name	Qty	Unit	Technical Data	Serial No (Start)	Serial No (End)	Remarks	P
1	31611617510	ADAPTER ASSY	1						
7	31611617590	MOTOR ASSY	1						
12	31611617530	TANK	1						
14	31611617540	CAP (OIL FILLER)	1						
18	44550417860	GASKET (WITH O-RING)	1						
30	31611617550	VALVE ASSY	1						
41	31611617560	VALVE,SOLENOID	2						
44	31611617570	MANIFOLD	1						
47	31611617580	O-RING	2						
100	31611613101	POWER SUPPLY	1						

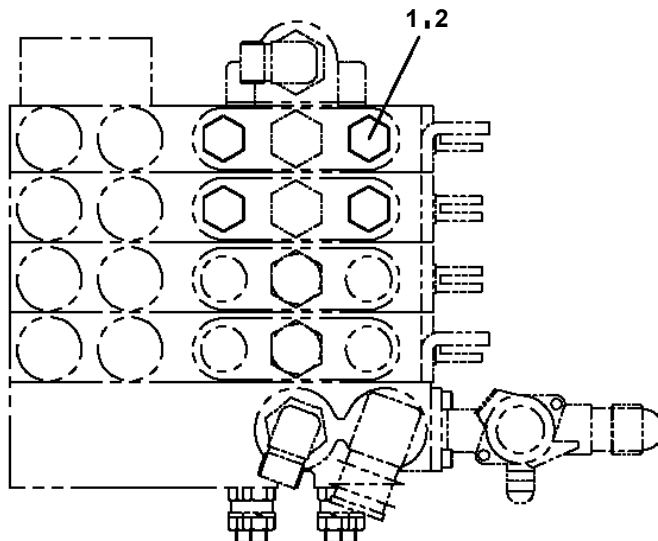
**TM-ZE260 41008401245A FRAME/SAFETY EYES  
PB1411928-01 PIPING,LOWER (FOR LOAD METER)**



**TM-ZE260 41008401245A FRAME/SAFETY EYES**  
**PB1910181-01 PIPING (WINCHLESS/PLUG:CARRYOVER VALVE)**



(ZE300SL , ZE/ZX2連バブル)



(ZE360SL)

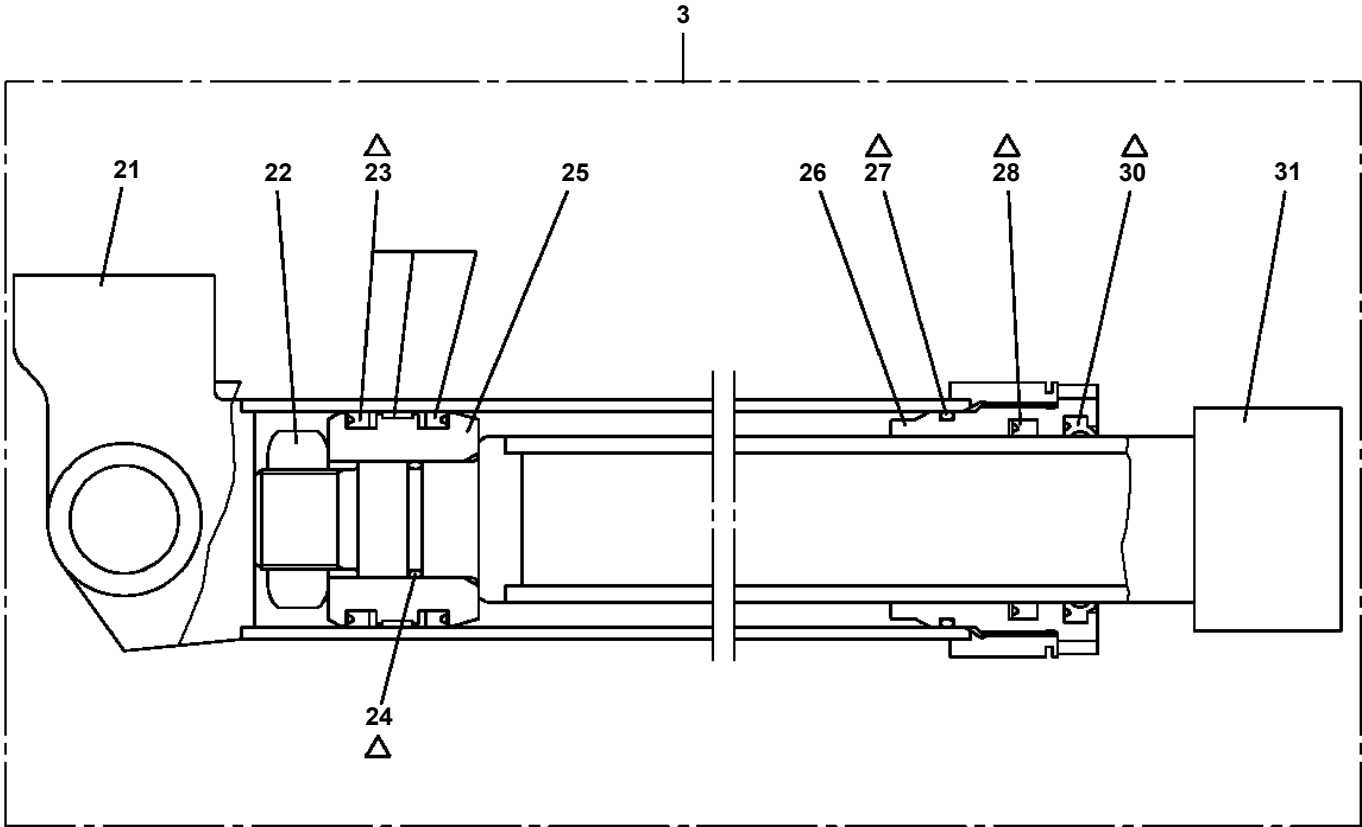
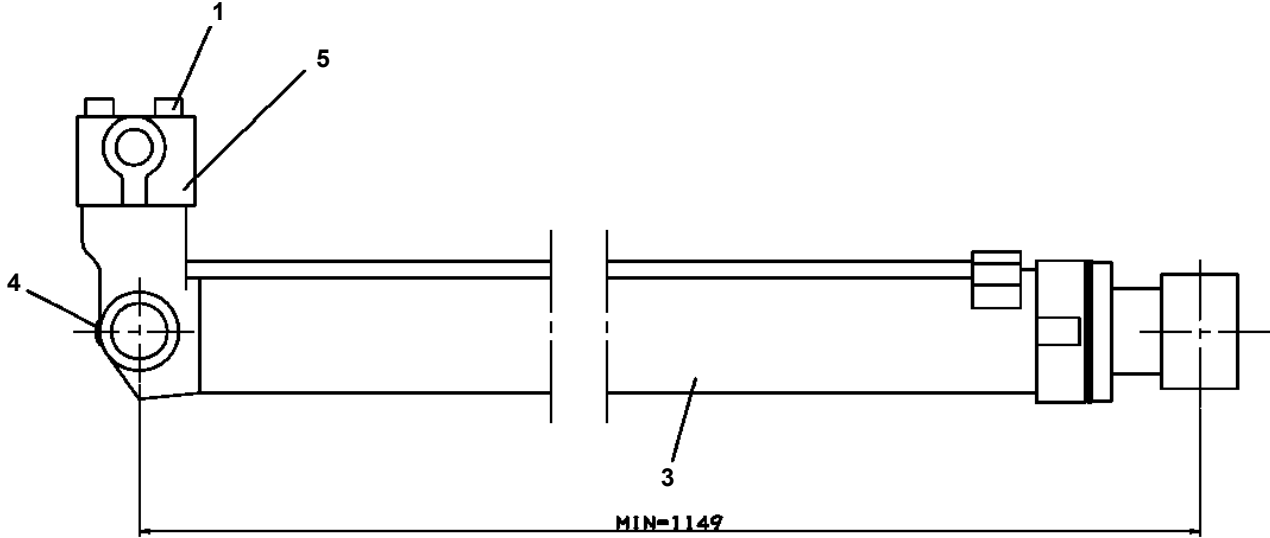
# TM-ZE260 41008401245A FRAME/SAFETY EYES

Pos No.	Parts No	Parts Name	Qty	Unit	Technical Data	Serial No (Start)	Serial No (End)
1	(*****)	POWER TAKE OFF ASSY (SELECTION)	1				
2	(*****)	PUMP ASSY (SELECTION)	1				

## TM-ZE260 41008401245A FRAME/SAFETY EYES

Pos No.	Parts No	Parts Name	Qty	Unit	Technical Data	Serial No (Start)	Serial No (End)	Remarks
1	37000163600	PIN	1					
2	80601110300	RING,RITAINING	2		S30			
3	31614061000	CASE,OUTER	1					
4	31611592000	CASE,INNER	1					
5	(*****)	OUTRIGGER ASSY (MIN.1149)	1					
6	37000112060	PIN	1					
7	80602110300	RING,RITAINING	2		R30			
8	37000112070	PIN	1					
9	31611594000	FLOAT ASSY	1					
10	31201770100	PLATE,SLIDE	4		T=3.0			
11	31200030530	PLATE	1					
12	90191210020	BOLT	2		M10X20			
13	90302041001	WASHER,SPRING	4		10			
14	90186208014	BOLT,FLANGE	2		M8X14			
15	31614060110	COVER	1					
16	50822014000	PLATE	1					
17	37001400200	SPRING	1					
18	37002217610	PLATE,CAUTION (CAUTION)	1					
19	31611300600	PLATE,NAME (YELLOW)	2					
20	31611300500	PLATE,NAME (WHITE)	2					
21	(*****)	OPE.ASSY,OUTRIGGER	1					
22	37000150360	PIN	1					
23	80601110150	RING,RITAINING	2		15			
24	37000310360	SPACER	1		L=15			
25	31620582020	BEARING,BALL (KOYO)	1					
26	90171110020	BOLT	2		M10X20			
41	31621963200	SUPPORT	1					
44	31613989510	SUPPORT	1					
45	31622191500	SUPPORT	1					
52	31610175010	TRUNNION	1					
100	31614060100	OUTRIGGER (RIGHT)	1					

**TM-ZE260 41008401245A FRAME/SAFETY EYES  
PC1030194-05 OUTRIGGER ASSY (MIN.1149)**

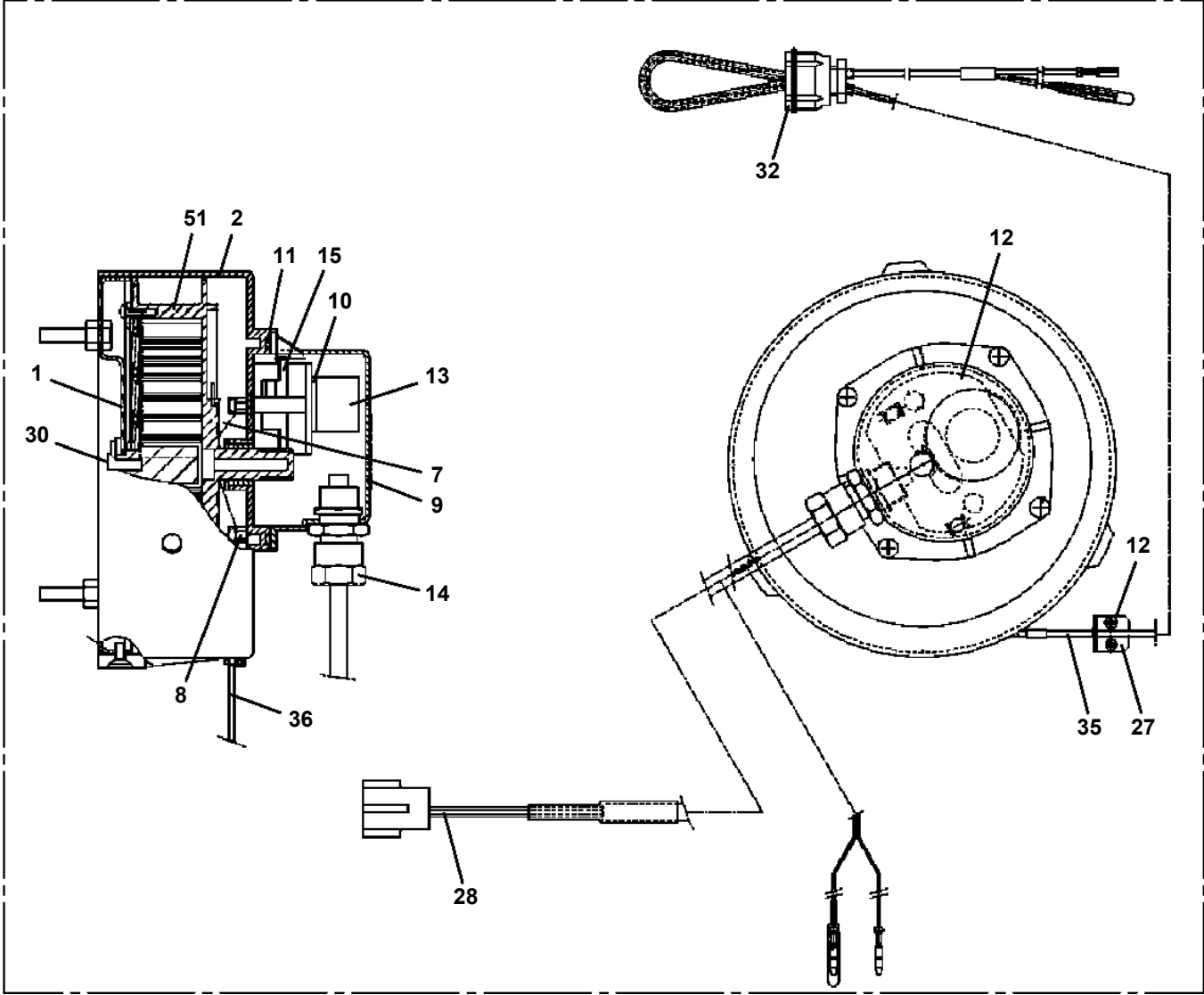


Δ:PACKING SET KEY NO.40 (23,24,27,28,30)

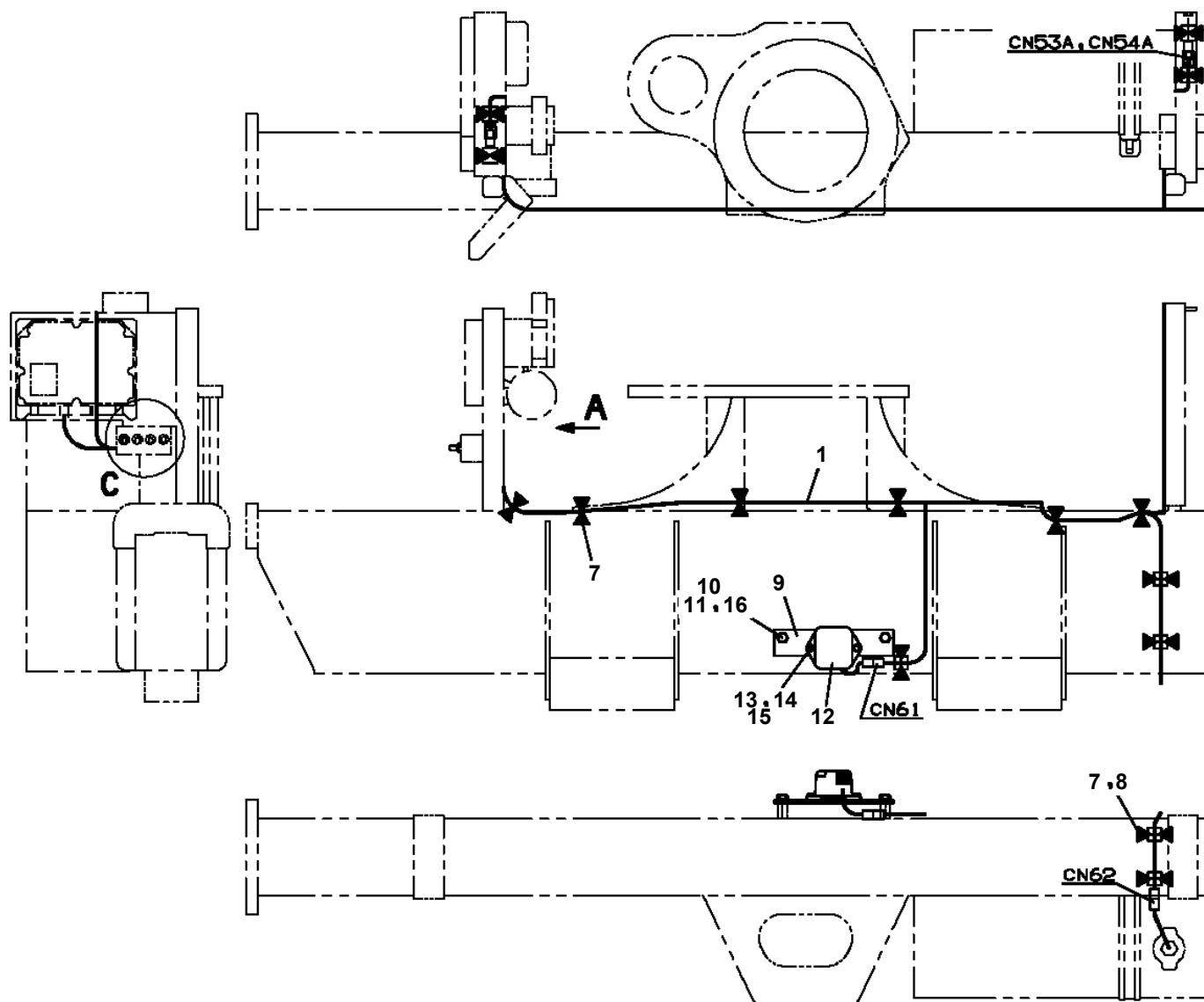


**TM-ZE260 41008401245A FRAME/SAFETY EYES  
PD5080070-00 DETECTOR ASSY,LENGTH (BOOM)**

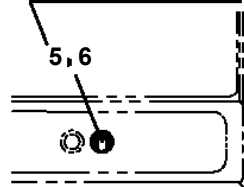
100



TM-ZE260 41008401245A FRAME/SAFETY EYES  
PE5020078-01 ELEC.ASSY

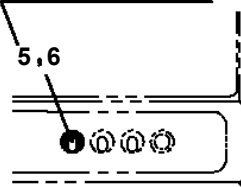


作動油温警報プザー入切



(マニュアルバルブの場合)

作動油温警報プザー入切



(ラジコンバルブの場合)

C

# TM-ZE260 41008401245A FRAME/SAFETY EYES

Pos No.	Parts No	Parts Name	Qty	Unit	Technical Data	Serial No (Start)	Serial No (End)	Remarks	Pages
1	31502081100	CONNECTOR	1						

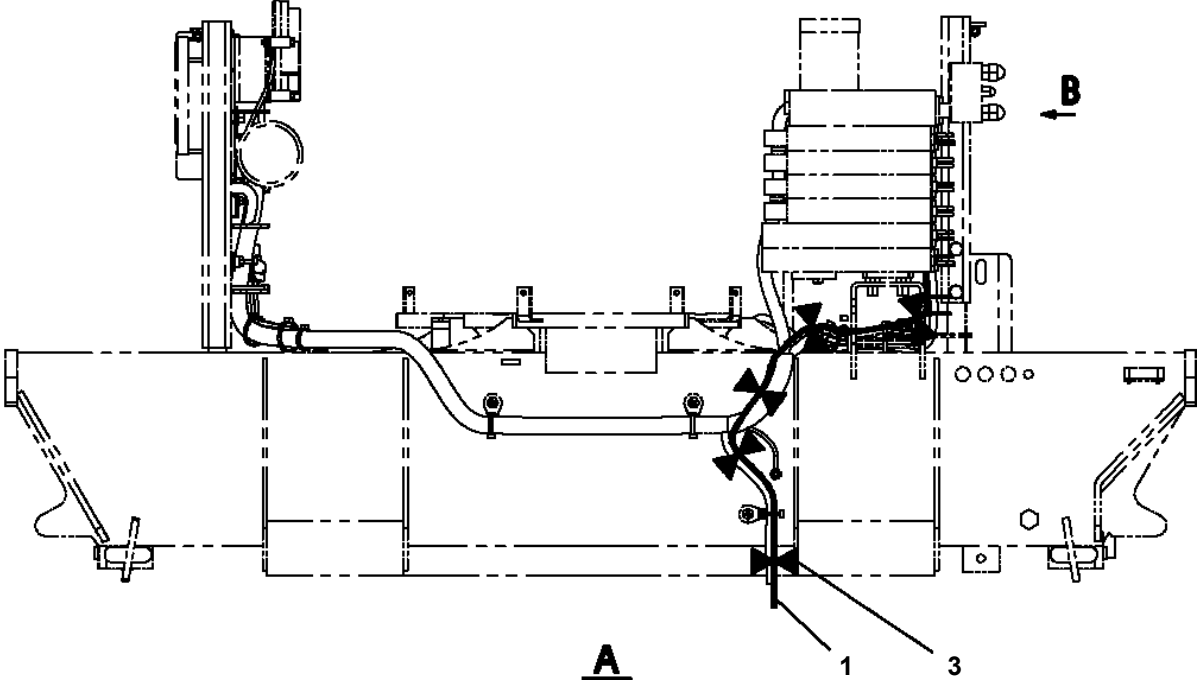
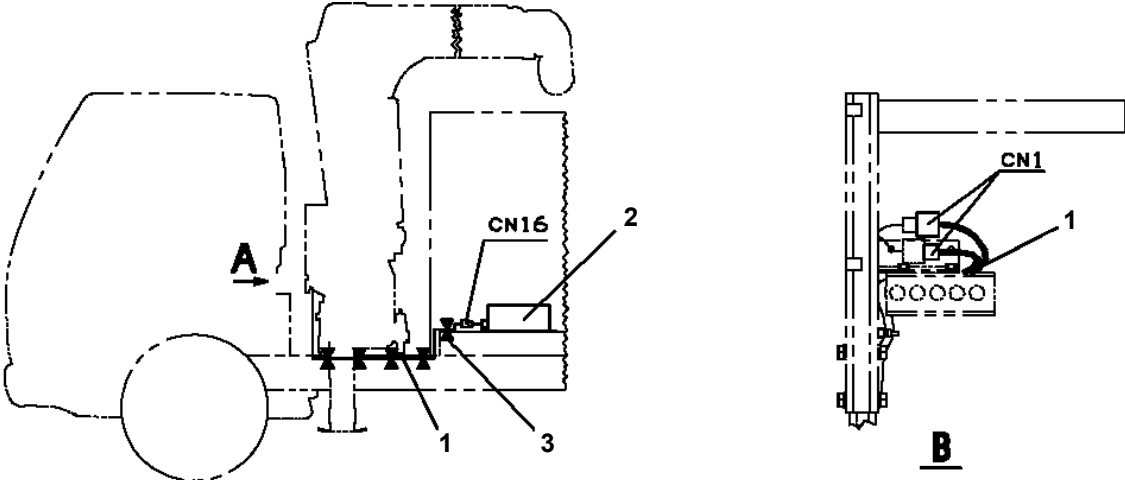
# TM-ZE260 41008401245A FRAME/SAFETY EYES

Pos No.	Parts No	Parts Name	Qty	Unit	Technical Data	Serial
1	(*****)	RING ASSY,SLIP (CJ NUMBER OF THE ELECTRODES KIT)	1			
2	(*****)	ELEC.ASSY (SAFETY DEVICE: SWING DIRECTION DETECTOR FOR)	1			

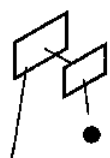
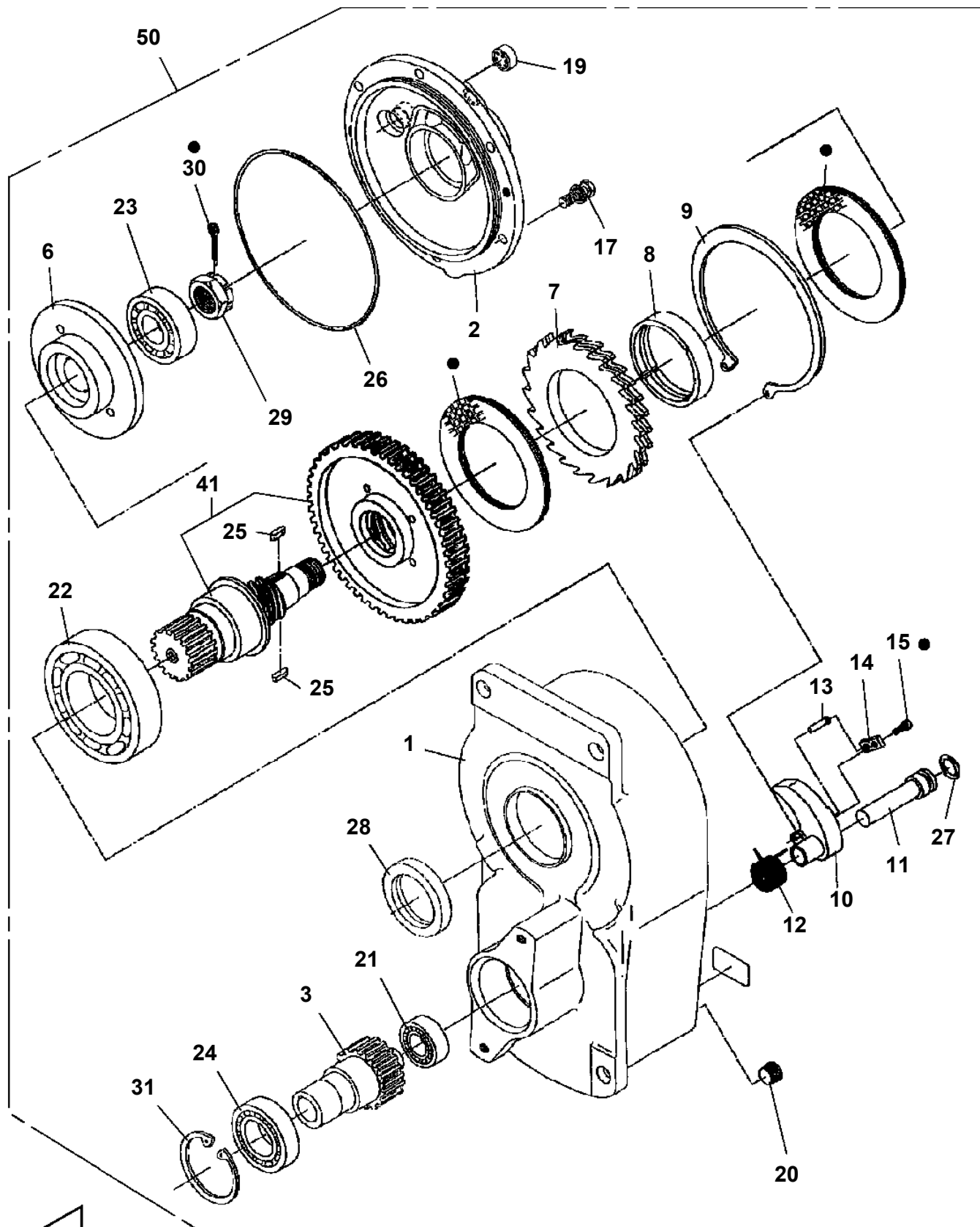
# TM-ZE260 41008401245A FRAME/SAFETY EYES

Pos No.	Parts No	Parts Name	Qty	Unit	Technical Data	Serial No (Start)	Serial No (End)	Remarks	Pages
1	31503272100	HARNESS	1						000169
2	91850310305	CLAMP	15						
3	91810130240	FASTENER	20						

**TM-ZE260 41008401245A FRAME/SAFETY EYES**  
**PE5021015-00 ELEC.ASSY (DC12V TO DC24V CONVERTER)**



**TM-ZE260 41008401245A FRAME/SAFETY EYES  
PF1010237-01 WINCH (OOKUBO)**



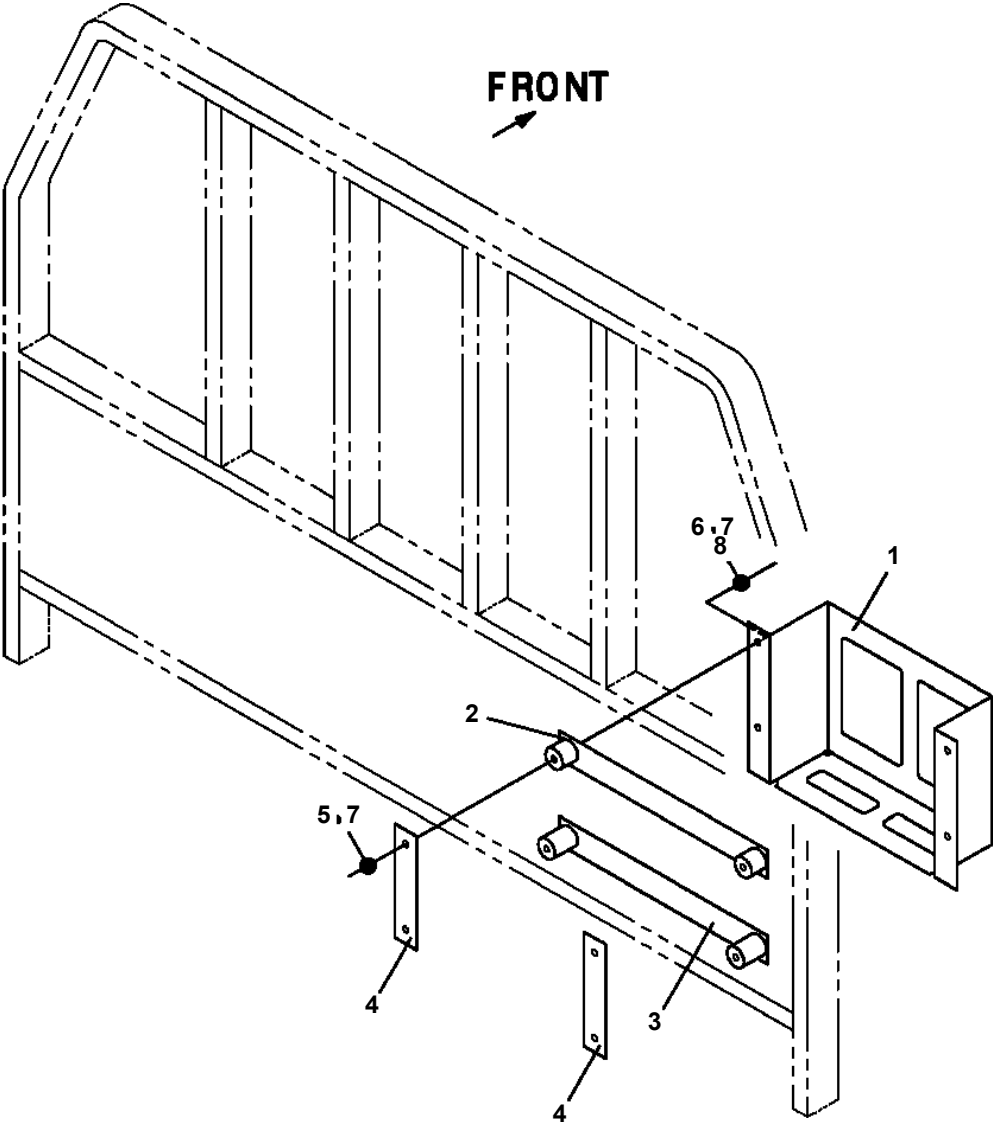
● Protective seal  
● Replacement interval name plate

● : FACING KIT KEY NO.101 ( JAPANESE )  
● : FACING KIT KEY NO.102 ( ENGLISH )

**TM-ZE260 41008401245A FRAME/SAFETY EYES  
PF1050447-00 HOOK**

1	フック HOOK
2	プレートASSY,ネーム PLATE ASSY,NAME

**TM-ZE260 41008401245A FRAME/SAFETY EYES**  
**PF1080288-00 SUPPORT**



## TM-ZE260 41008401245A FRAME/SAFETY EYES

Pos No.	Parts No	Parts Name	Qty	Unit	Technical Data	Serial No (Start)	Serial No (End)	Remarks
7	36662810000	MOTOR,HYDRAULIC	1					
8	90172112030	BOLT,HEXAGON SOCKET	2		M12X30			
9	90171114035	BOLT	2		M14X35			
10	90302041401	WASHER,SPRING	2		14			
11	90171112035	BOLT	4		M12X35			
12	90302041201	WASHER,SPRING	4		12			
13	90101210020	BOLT	2		M10X20			
14	90302041001	WASHER,SPRING	2		10			
15	90303071001	WASHER,PLAIN	2		10			
16	31322050510	KNOB (BLACK)	1					
17	31311183000	LEVER	1					
18	90303070801	WASHER,PLAIN	4		8			
19	80136825015	PIN,SPLIT	2		2.5X15			
21	36073040000	WINCH	1					

# TM-ZE260 41008401245A FRAME/SAFETY EYES

Pos No.	Parts No	Parts Name	Qty	Unit	Technical Data	Serial No (S
1	(*****)	MOUNT,WINCH	1			
2	36740880000	VALVE,REMOTE CONTROL	1			
3	(*****)	PIPING (OPTION VALVE-MAIN VALVE)	1			
4	(*****)	PIPING (OPT.VALVE:JOINT FOR REAR OUTRIGGER)	1			
5	(*****)	PIPING,WINCH	1			
6	(*****)	PLATE ASSY,NAME (CONTROL)	1			
7	(*****)	PLATE ASSY,NAME (REAR OUTRIGGER)	1			
8	31292491000	ROPE ASSY (WITH HOOK)	1			
9	(*****)	OPE.ASSY,CONT.VALVE	1			
10	(*****)	ELEC.ASSY (CRANE)	1			
11	(*****)	ELEC.ASSY (SELF WINCH)	1			
12	(*****)	ELEC.ASSY (CN99/PLUG)	1			
13	(*****)	ELEC.ASSY (HARNES:FOR CONNECTING R/O HARNES)	1			
14	(*****)	ELEC.ASSY (FOR REAR OUTRIGGER)	1			
18	31625090000	FRAME ASSY	1			
21	(*****)	OUTRIGGER,REAR (FRAME)	1			
22	(*****)	LOCK ASSY	1			

# TM-ZE260 41008401245A FRAME/SAFETY EYES

Pos No.	Parts No	Parts Name	Qty	Unit	Technical Data	Serial No (Start)	Serial No (End)	Remarks	Pages
1	31477172600	ROPE ASSY	1		L=1480				

# TM-ZE260 41008401245A FRAME/SAFETY EYES

Pos No.	Parts No	Parts Name	Qty	Unit	Technical Data	Serial No (Start)	Serial No (End)	Remarks	Pages
1	31656320100	HARNESS	1		L=550				

# TM-ZE260 41008401245A FRAME/SAFETY EYES

Pos No.	Parts No	Parts Name	Qty	Unit	Technical Data	Serial No (Start)	Serial No (End)	Remarks	Pages
1	31362081100	HARNESS	1						

# TM-ZE260 41008401245A FRAME/SAFETY EYES

Pos No.	Parts No	Parts Name	Qty	Unit	Technical Data	Serial No (Start)	Serial No (End)	Remarks	Pages
7	82100000791	FUSE	1		5A,6.5X30				
10	31501191100	HARNESS	1						

# TM-ZE260 41008401245A FRAME/SAFETY EYES

Pos No.	Parts No	Parts Name	Qty	Unit	Technical Data	Serial No (Start)	Serial No (End)	Remarks	Pages
1	31361943300	HARNESS (L=1460)	1						

CLICK HERE TO **DOWNLOAD** THE COMPLETE MANUAL

- Thank you very much for reading the preview of the manual.
- You can download the complete manual from: [www.heydownloads.com](http://www.heydownloads.com) by clicking the link below



- Please note: If there is no response to CLICKING the link, please download this PDF first and then click on it.

CLICK HERE TO **DOWNLOAD** THE COMPLETE MANUAL

# TM-ZE260 41008401245A FRAME/SAFETY EYES

Pos No.	Parts No	Parts Name	Qty	Unit	Technical Data	Serial No (Start)	Serial No (End)	Remarks	Pages
100	31504322402	HARNESS	1						

# TM-ZE260 41008401245A FRAME/SAFETY EYES

Pos No.	Parts No	Parts Name	Qty	Unit	Technical Data	Serial No (Start)	Serial No (End)	Remarks	Pages
100	31501402103	HARNESS	1						

# TM-ZE260 41008401245A FRAME/SAFETY EYES

Pos No.	Parts No	Parts Name	Qty	Unit	Technical Data	Serial No (Start)	Serial No (End)	Remarks	Pages
100	31501791200	HARNESS	1						

# TM-ZE260 41008401245A FRAME/SAFETY EYES

Pos No.	Parts No	Parts Name	Qty	Unit	Technical Data	Serial No (Start)	Serial No (End)	Remarks	Pages
11	91001101600	O-RING	1		1A P16				
12	36632465490	SEAL	1						
13	36602555010	O-RING	1						
14	36632465510	O-RING	1						
15	91411001600	RING,BACKUP	1		P16				
30	36602550000	VALVE,RELIEF	1						

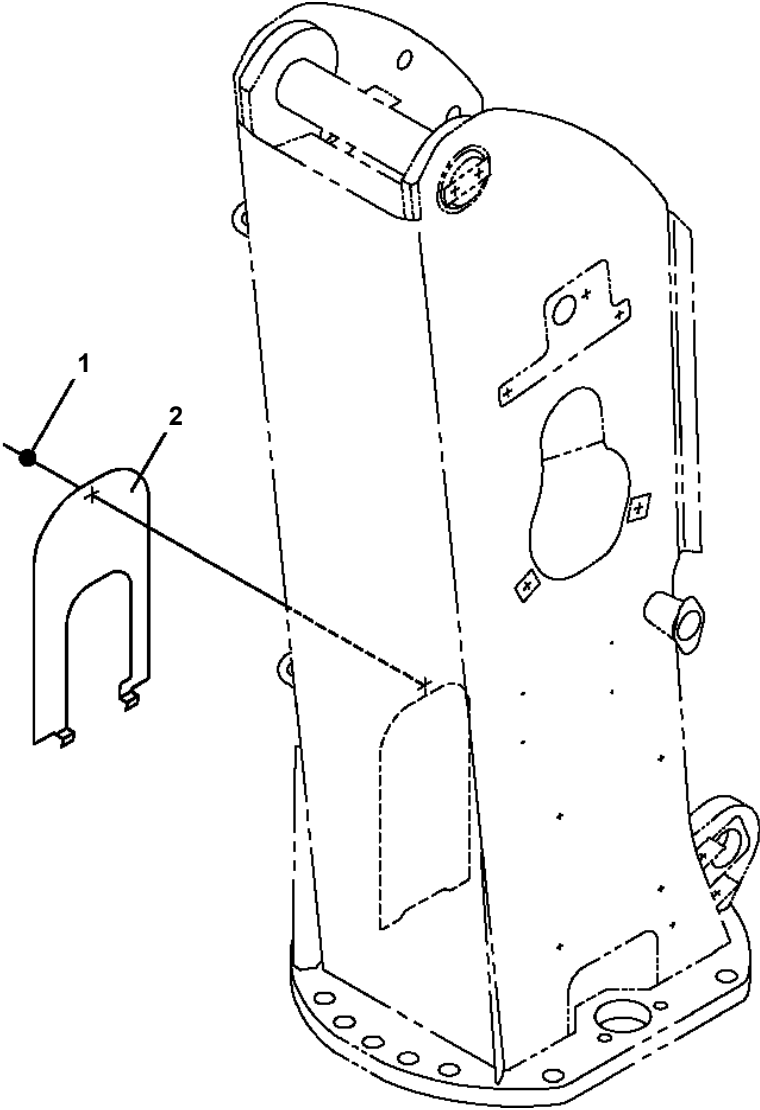
# TM-ZE260 41008401245A FRAME/SAFETY EYES

Pos No.	Parts No	Parts Name	Qty	Unit	Technical Data	Serial No (Start)	Serial No (End)	Remarks
1	36672590000	FILTER,OIL (CARTRIDGE)	1					
3	36672395020	COVER,HEAD	1					
10	36672390000	FILTER,OIL (WAKO)	1					

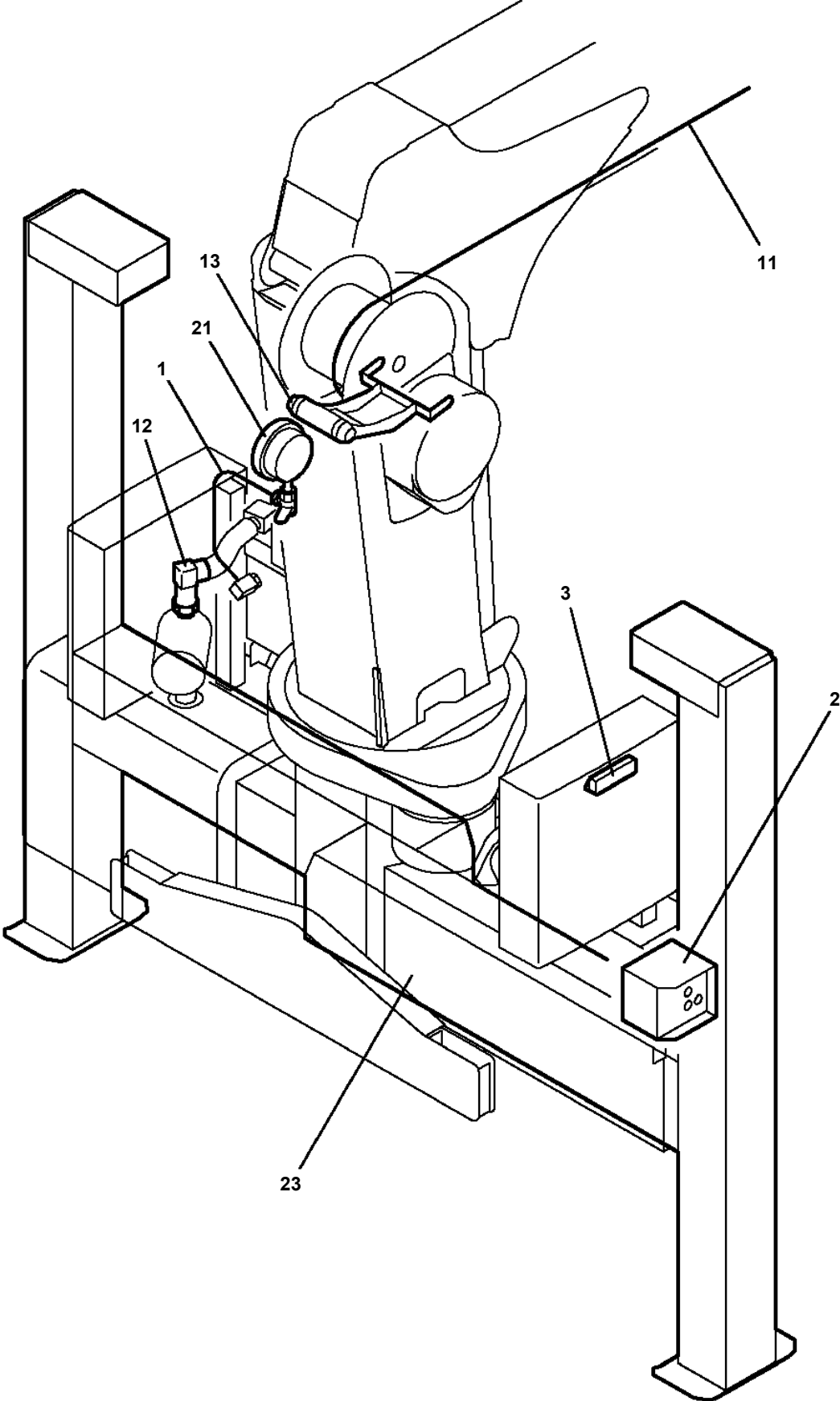
# TM-ZE260 41008401245A FRAME/SAFETY EYES

Pos No.	Parts No	Parts Name	Qty	Unit	Technical Data	Serial No (Start)	Serial No (End)	Remarks	Pages
1	31362313100	SUPPORT	1						
2	82108501090	SWITCH	1						
3	90201200600	NUT	2		M6				
4	90101206014	BOLT	2		M6X14				
5	91850310405	CLAMP (BLACK)	4						
6	91810130240	FASTENER	4						

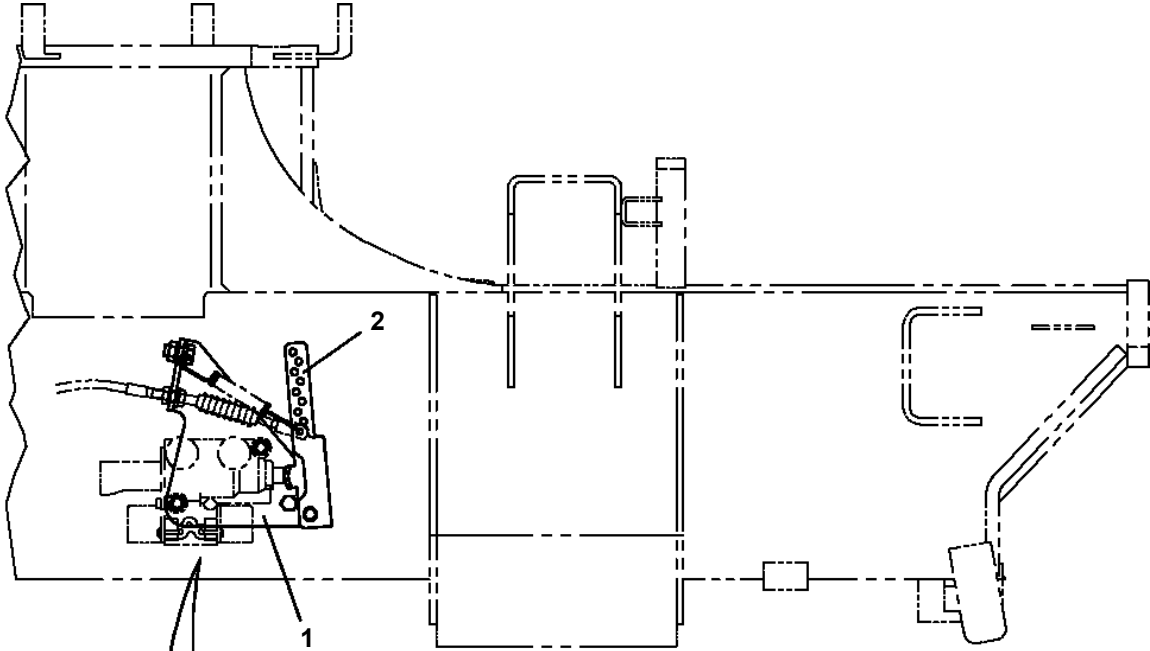
**TM-ZE260 41008401245A FRAME/SAFETY EYES**  
**PK1330374-00 COVER (POST)**



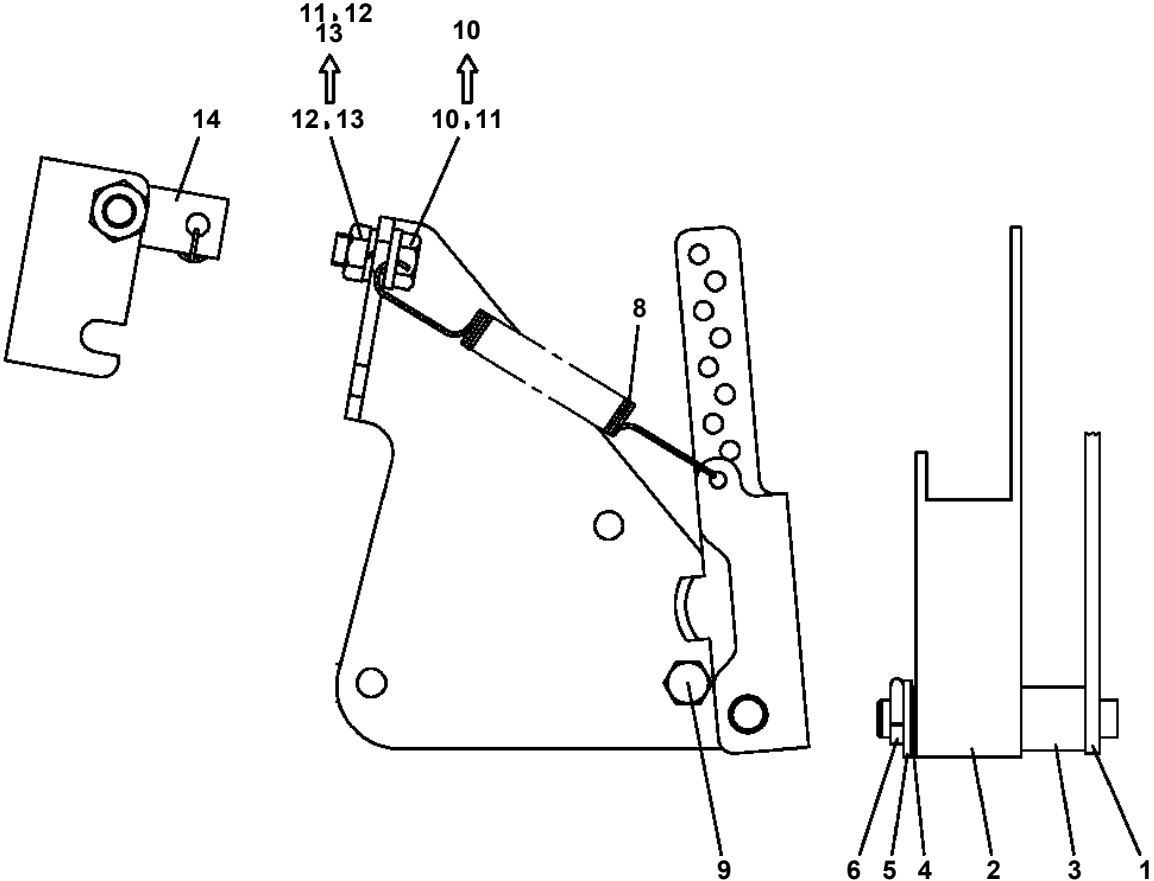
**TM-ZE260 41008401245A FRAME/SAFETY EYES**  
**PK2001211-00 FRAME UNIT (2)**



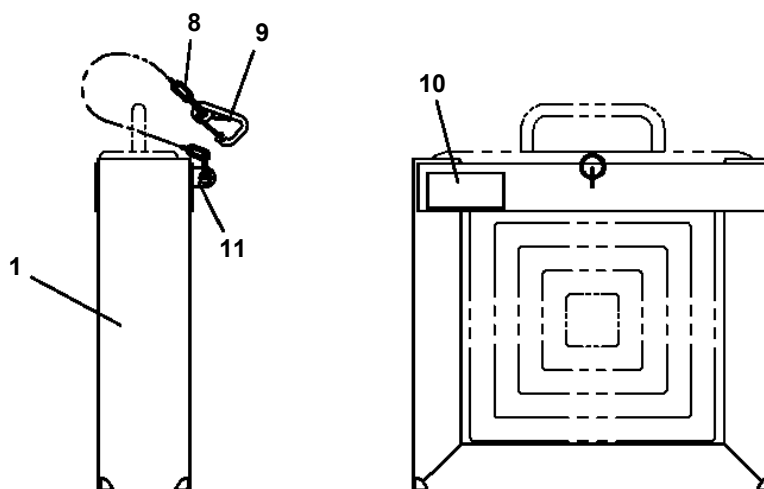
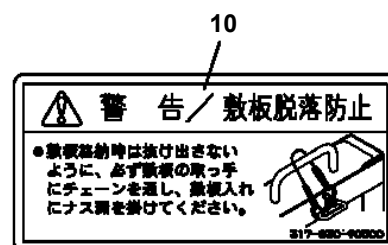
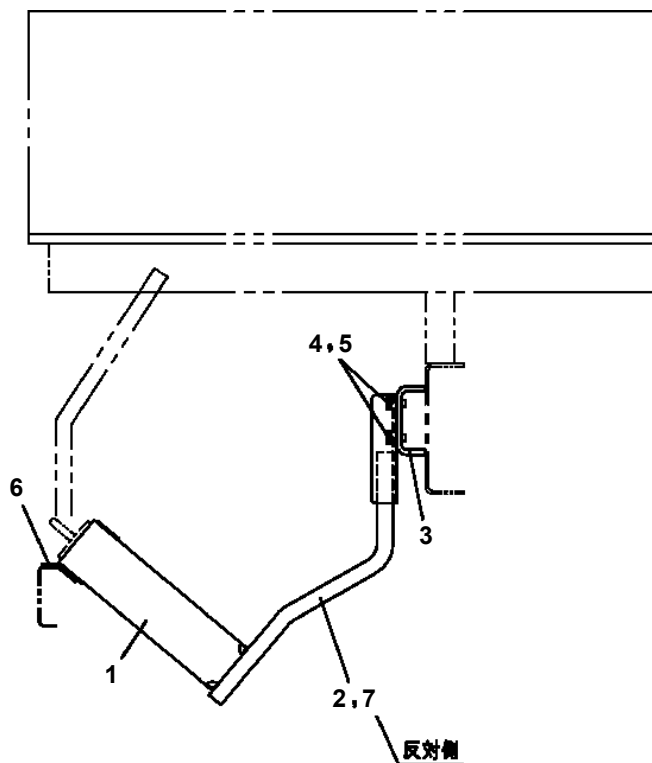
TM-ZE260 41008401245A FRAME/SAFETY EYES  
PL1031164-02 OPE.ASSY,ACCELERATOR



車両前方から見る  
VIEWED FROM FRONT  
OF VEHICLE

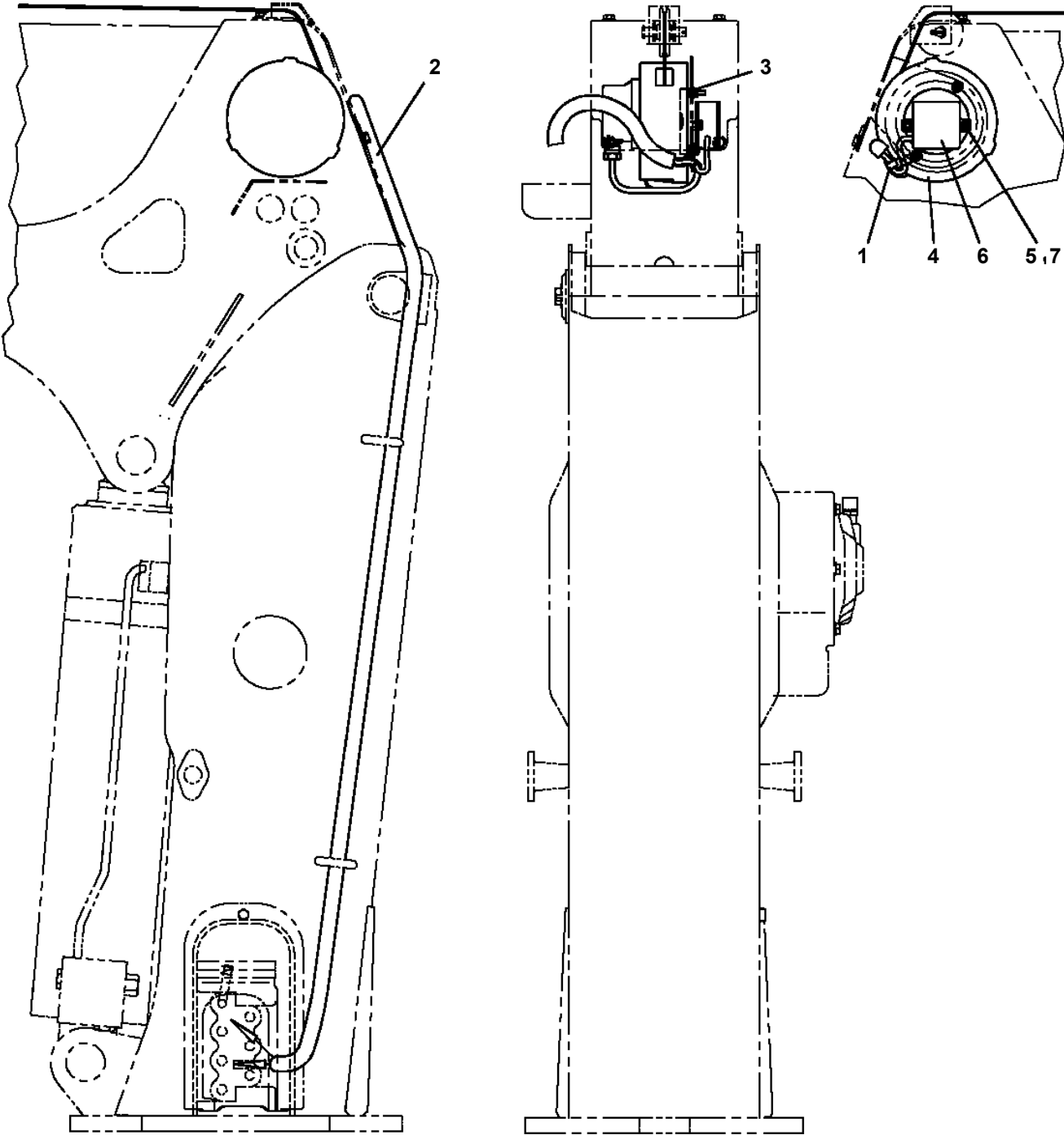


TM-ZE260 41008401245A FRAME/SAFETY EYES  
 PM5150583-00 MODIFICATION ASSY



(8, 9, 10, 11 材取付要領)

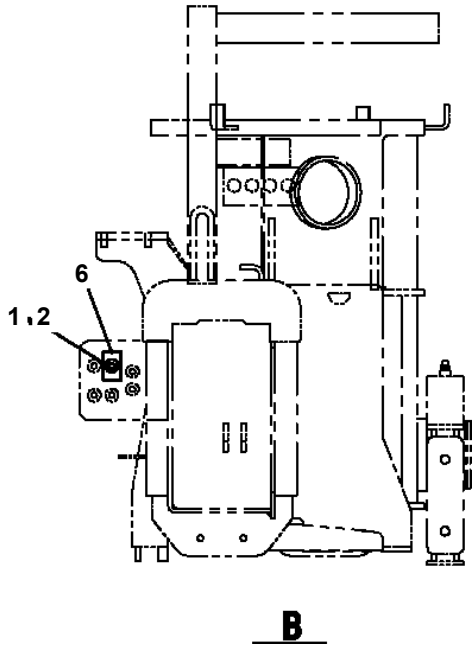
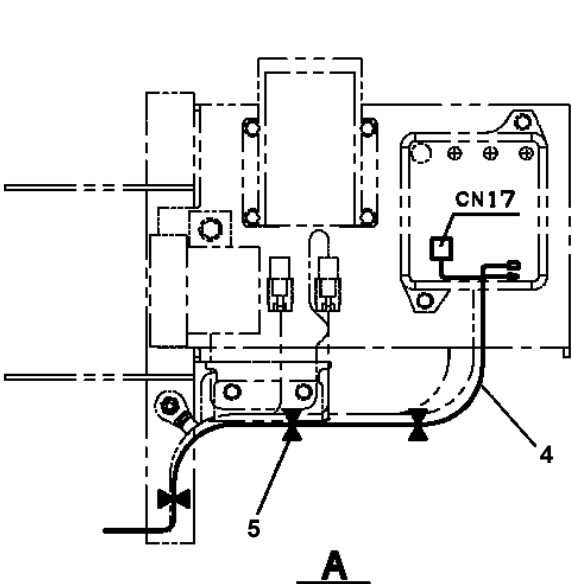
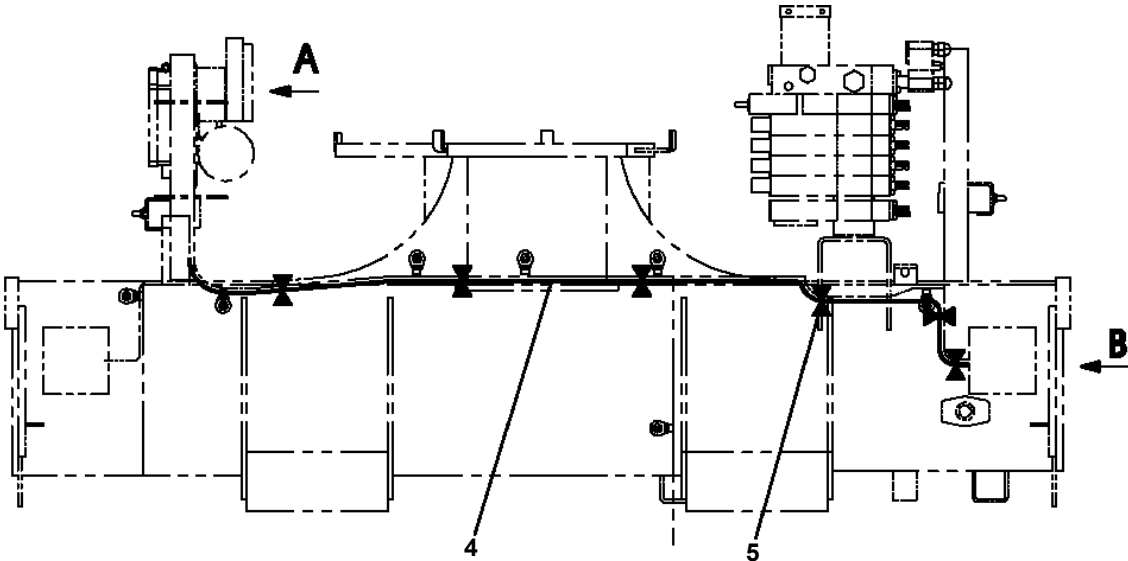
**TM-ZE260 41008401245A FRAME/SAFETY EYES  
PN1014572-00 ELEC.ASSY (BOOM/DETECTOR ASSY)**



# TM-ZE260 41008401245A FRAME/SAFETY EYES

Pos No.	Parts No	Parts Name	Qty	Unit	Technical Data	Serial No (Start)	Serial No (End)
1	91850310405	CLAMP (BLACK)	7				
2	91810130240	FASTENER	20				
3	91810130250	FASTENER	5				
5	31657280200	COVER	2				
6	90186208020	BOLT,FLANGE	8		M8X20		
7	90280200800	NUT,FLANGE	8		M8		
8	31653470100	SUPPORT	1				
9	31653470200	SUPPORT	1				
10	90186206010	BOLT,FLANGE	12		M6X10		
11	31611614300	HARNESS	1		L=10000		
12	82100002503	TERMINAL	1				
13	82100001226	INSULATOR	1				
14	31656330200	HARNESS	1				
15	31611614500	COVER	1				
16	31611614400	COVER	1				
17	82100000192	TERMINAL	1				
18	82100000182	INSULATOR	1				
19	31478092200	HARNESS	1		L=100		
22	82115001005	CONNECTOR	1				
41	31653322200	SWITCH ASSY (WITH HARNESS,2-SW)	2				
42	82199514013	CAP	4				
43	82199504017	NUT	4		AT-401N		
44	31657282100	SUPPORT	2				
45	31656331200	PLATE,NAME	2				

**TM-ZE260 41008401245A FRAME/SAFETY EYES  
PN1014756-02 ELEC.ASSY (FRAME)**



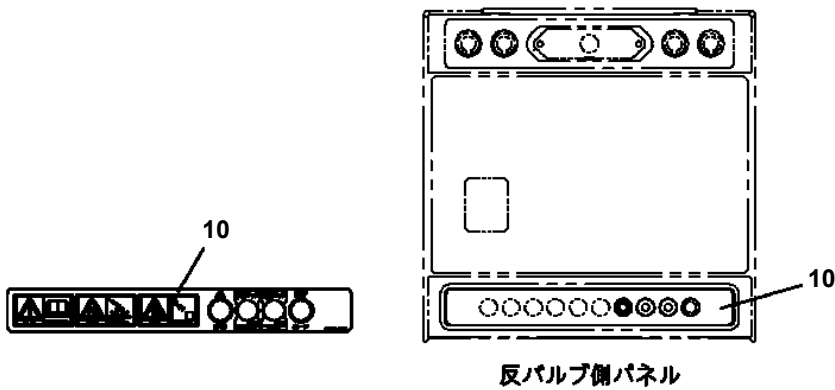
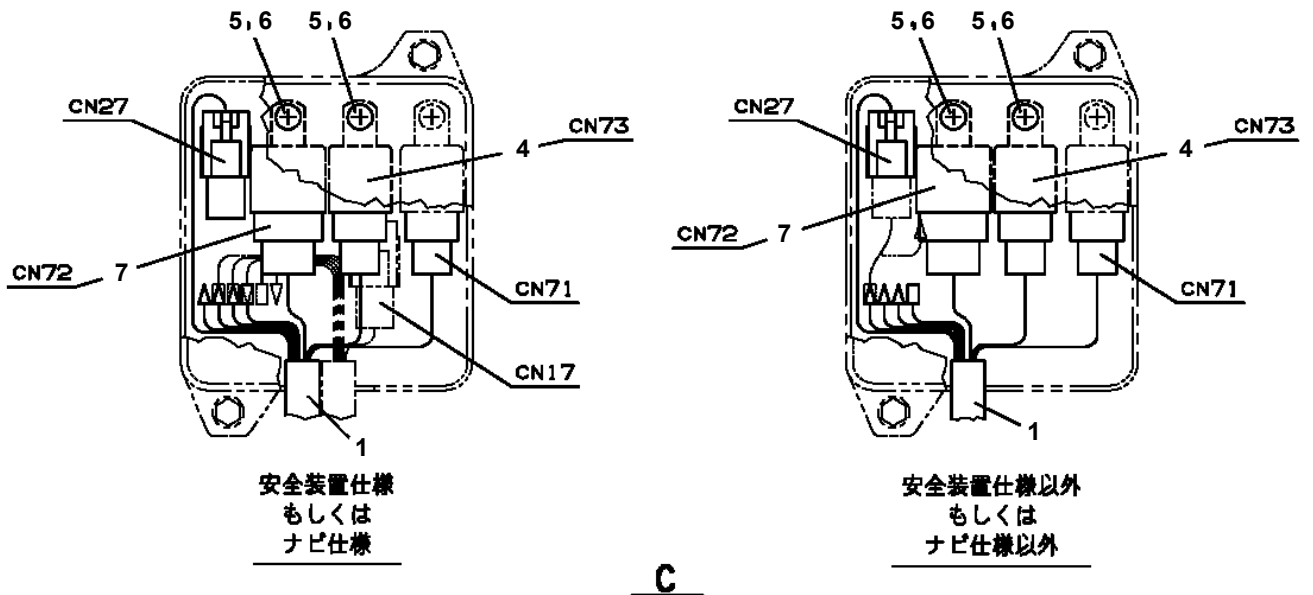
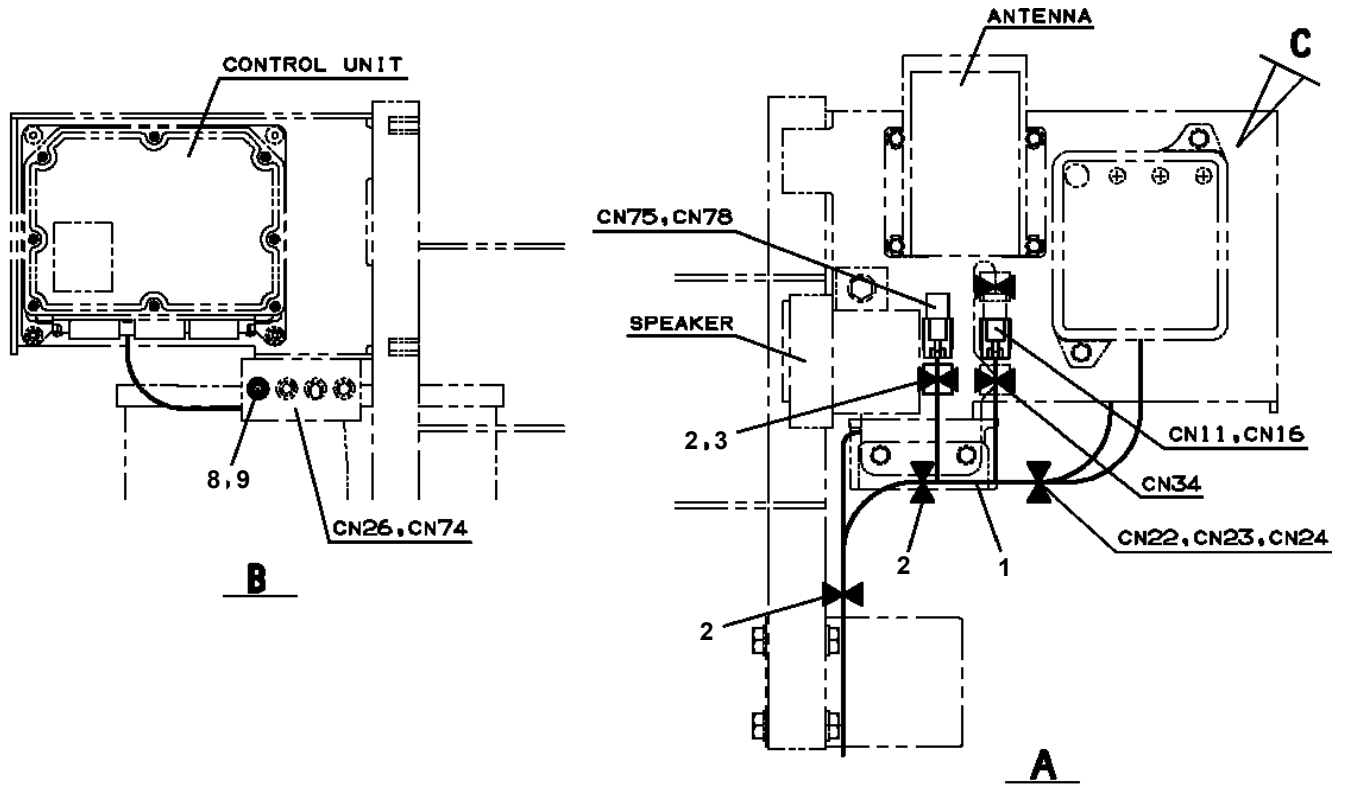
# TM-ZE260 41008401245A FRAME/SAFETY EYES

Pos No.	Parts No	Parts Name	Qty	Unit	Technical Data	Serial No (Start)	Serial No (End)	Remarks	Pa
1	90101206014	BOLT	1		M6X14				
2	90303070601	WASHER,PLAIN	1		6				
3	82401800060	PLUG (FOR M6)	4						
4	31474661600	PLUG (2-POES,MALE)	1						
5	82108501340	SWITCH	1						
7	31656312100	HARNESS	1						00
8	91810130250	FASTENER	9						
9	91850310405	CLAMP (BLACK)	1						
11	31860960300	SPACER	2		T=1.6				

# TM-ZE260 41008401245A FRAME/SAFETY EYES

Pos No.	Parts No	Parts Name	Qty	Unit	Technical Data	Serial No (Start)	Serial No (End)	Remarks	Pages
1	31501641100	HARNESS	1						000153
2	91850310405	CLAMP (BLACK)	3						
3	91810130250	FASTENER	12						
4	91850100802	CLAMP	2						
5	91810130270	FASTENER	2						

TM-ZE260 41008401245A FRAME/SAFETY EYES  
 PN1014983-01 ELEC.ASSY (CRANE)



# TM-ZE260 41008401245A FRAME/SAFETY EYES

Pos No.	Parts No	Parts Name	Qty	Unit	Technical Data	Serial No (Start)	Serial No (End)	Remarks	Pages
1	31731186100	HARNESS	1		L=3060				
2	91810130240	FASTENER	15						
3	91850310405	CLAMP (BLACK)	15						

# TM-ZE260 41008401245A FRAME/SAFETY EYES

Pos No.	Parts No	Parts Name	Qty	Unit	Technical Data	Serial No (Start)	Serial No (End)
1	(*****)	ELEC.ASSY (FRAME)	1				
2	(*****)	ELEC.ASSY (POST/RELAY BOX)	1				
3	(*****)	ELEC.ASSY (UPPER/WORKING LAMP)	1				

# TM-ZE260 41008401245A FRAME/SAFETY EYES

Pos No.	Parts No	Parts Name	Qty	Unit	Technical Data	Serial No (Start)	Serial No (End)	Remarks
5	82105411140	SWITCH,TOGGLE	2					
10	31656141320	SWITCH ASSY (PANASONIC)	1					

# TM-ZE260 41008401245A FRAME/SAFETY EYES

Pos No.	Parts No	Parts Name	Qty	Unit	Technical Data	Serial No (Start)	Serial No (End)
1	82105501003	SWITCH,TOGGLE	2				
10	31653322200	SWITCH ASSY (WITH HARNESS,2-SW)	1				

# TM-ZE260 41008401245A FRAME/SAFETY EYES

Pos No.	Parts No	Parts Name	Qty	Unit	Technical Data	Serial No (Start)	Serial No (End)	Remarks	Pages
1	31496970320	PLATE,CAUTION	2						
2	31730944300	PLATE,CAUTION	2						
3	31398780111	PLATE,NAME	1						

# TM-ZE260 41008401245A FRAME/SAFETY EYES

Pos No.	Parts No	Parts Name	Qty	Unit	Technical Data	Serial No (Start)	Serial No (End)	Remarks	Pages
1	31473481100	PLATE,CAUTION	1						

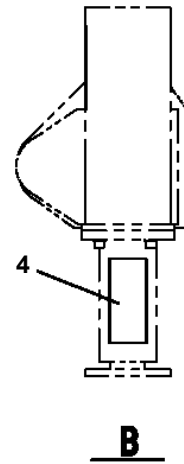
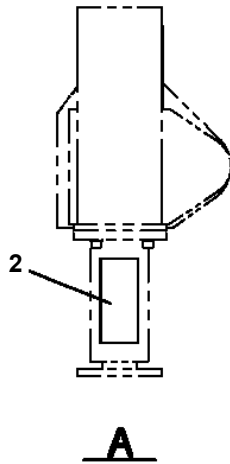
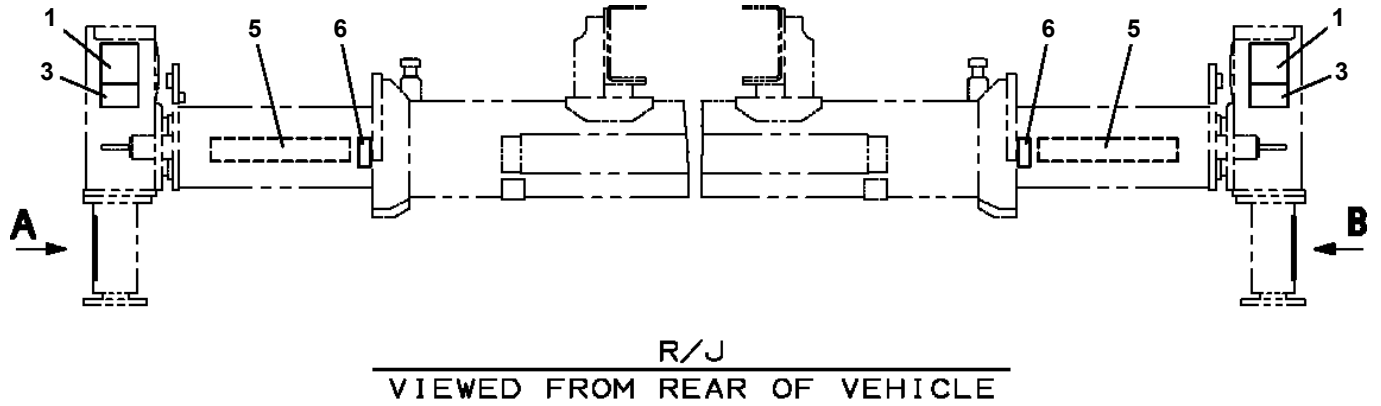
# TM-ZE260 41008401245A FRAME/SAFETY EYES

Pos No.	Parts No	Parts Name	Qty	Unit	Technical Data	Serial No (Start)	Serial No (End)	Re
1	37002213190	PLATE,NAME (LEVEL,ISO VG46)	1					

# TM-ZE260 41008401245A FRAME/SAFETY EYES

Pos No.	Parts No	Parts Name	Qty	Unit	Technical Data	Serial No (Start)	Serial No (End)	Remarks	Pages
1	31398330100	PLATE,NAME	1						
2	31398330200	PLATE,CAUTION	1						

TM-ZE260 41008401245A FRAME/SAFETY EYES  
 PO1015361-01 PLATE ASSY,NAME



1

<b>警告/走行前の確認</b>	
<ul style="list-style-type: none"> <li>● 走行前にリアアウトリガを下記の状態でしてください。</li> <li>■ ジャッキリフを全降下する。</li> <li>■ リヤアウトリガを全降下する。</li> <li>■ リヤアウトリガをロックピンと走行用ロックで固定する。</li> </ul>	
<p>ロックピン →</p>	<p>フムが落ちて いる状態 →</p>
<p>＜ロック状態＞</p>	<p>＜走行用ロック＞</p>
313-083-0000	

2

<b>警告/リアアウトリガ取扱い</b>	
<p>走行ロックピン</p>	<ul style="list-style-type: none"> <li>● 作業時および作業終了後、走行ロックピンが入っていることを確認してください。</li> </ul>
<b>注意</b>	
	<ul style="list-style-type: none"> <li>● 番号等、目を傷まないように注意してください。</li> </ul>
313-083-0000	

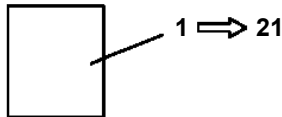
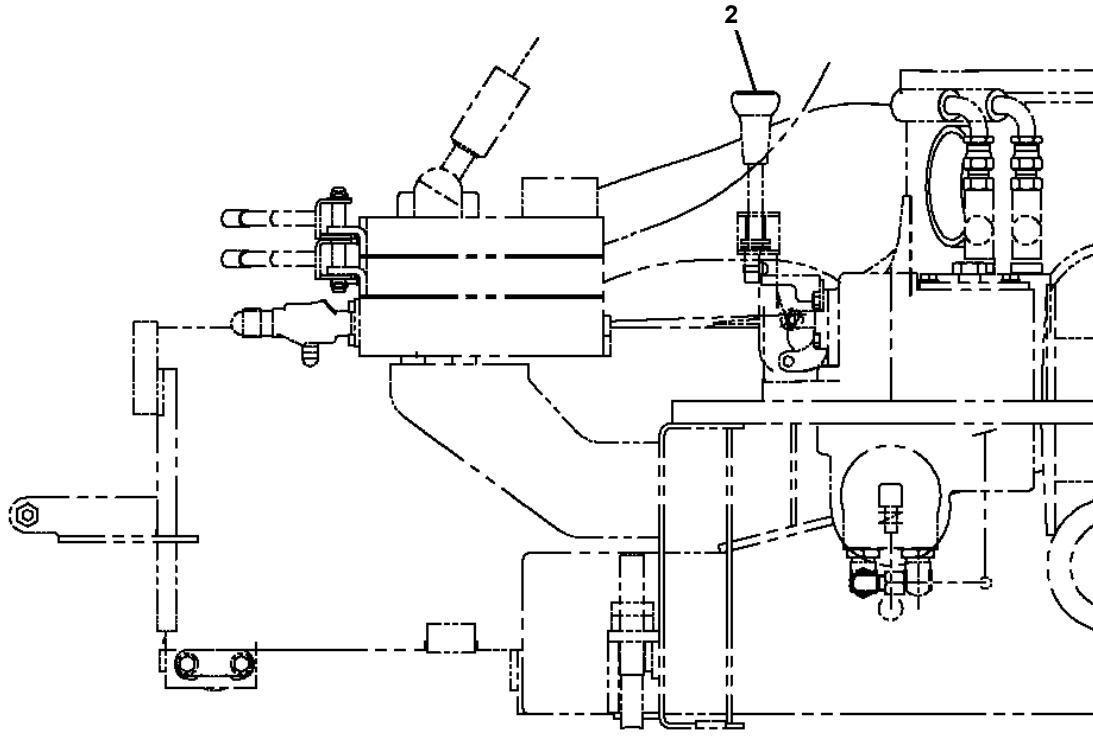
4

<b>警告/リアアウトリガ取扱い</b>	
<p>走行ロックピン</p>	<ul style="list-style-type: none"> <li>● 作業時および作業終了後、走行ロックピンが入っていることを確認してください。</li> </ul>
<b>注意</b>	
	<ul style="list-style-type: none"> <li>● 番号等、目を傷まないように注意してください。</li> </ul>
313-083-0000	

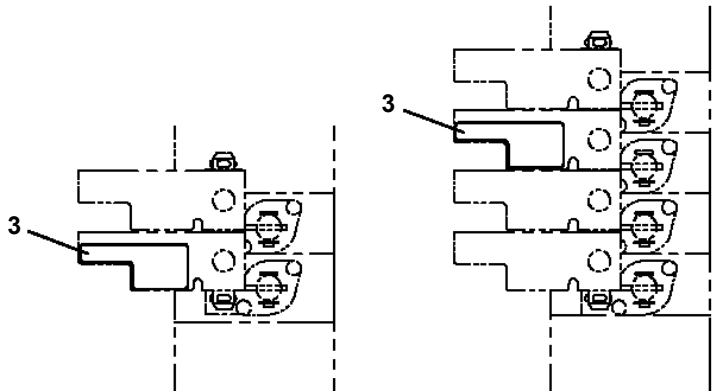
3

<input type="checkbox"/> <b>注 記/リアアウトリガ取扱い</b>	
<ul style="list-style-type: none"> <li>● リヤアウトリガを作業させる時、必ずエンジンを始動させ、エンジン回転を少しアップさせた状態（800rpm程度）で行ってください。</li> </ul>	
313-083-0000	

TM-ZE260 41008401245A FRAME/SAFETY EYES  
 PO1015530-02 PLATE ASSY,NAME (CONTROL)



荷台鳥居部のスイッチパネル付近に貼付け



(電磁2連バルブ)

(電磁4連バルブ)

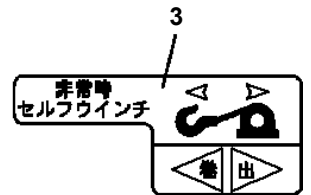
キャリーオーバーバルブ操作部

1

<p><b>警告/セルフウインチ取扱い</b></p> <ul style="list-style-type: none"> <li>取扱説明書をよく読んでから作業してください。</li> <li>クラッチが十分に噛み合い、クラッチ入ランプが点灯していることを確認してから、巻上げ、巻下げ作業を行ってください。</li> <li>巻上げ、巻下げは荷台の中心が荷台の中心線上を巻くように行ってください。</li> <li>走行時には、フックをフック掛けに接続し、ワイヤロープを完全にドラムに巻き込んでください。</li> </ul>	
<p><b>警告/クラッチ操作</b></p> <ul style="list-style-type: none"> <li>クラッチ操作は、ワイヤロープに張力がかかっている状態で行ってください。</li> <li>クラッチの操作は、クラッチスイッチを押した状態でウインチスイッチを巻下げ側に操作するとクラッチが噛み合います。(クラッチ入ランプ点灯)</li> <li>クラッチの操作を行ってもクラッチが噛み合えない時はウインチ巻上げ操作を行って巻き上げ、クラッチの操作を行ってください。</li> <li>クラッチ入の操作は、ウインチ巻上げ操作に連動してクラッチが入ります。(クラッチ入ランプ点灯)</li> </ul> <p>317-306-91100</p>	

21

<p><b>警告/セルフウインチ取扱いについて</b></p> <ul style="list-style-type: none"> <li>取扱説明書をよく読んでから作業してください。</li> <li>巻上げ、巻下げ作業は、クラッチ入り過巻ランプが点灯している事を確認してから、行ってください。</li> <li>クラッチ操作はクラッチレバーを必ずストローケエンドまで作業させてください。</li> </ul> <p>・巻上げ時 クラッチレバーを引上げ、荷台側に操作する                  ・入巻時 ウインチ操作を巻上げ、または巻下げにする                  又は、クラッチレバーを巻上げ側に操作する。                  ※クラッチ入り過巻ランプが点灯すれば入巻時です。</p> <ul style="list-style-type: none"> <li>フックに荷重がかかっている時は、絶対にクラッチ操作はしないでください。</li> <li>巻上げ、巻下げ作業は、荷台の中心が荷台の中心線上を巻くように行ってください。</li> <li>走行時には、フックをフック掛けに接続し、ワイヤロープは必ず巻込み時にドラムに巻き込んでください。</li> </ul> <p>313-971-40800</p>	
--	--



**TM-ZE260 41008401245A FRAME/SAFETY EYES  
PP5060012-00 PARTS ASSY,AWL (3 SECTION)**

ハ\* -ツASSY,AML (3タ\* ヅ)  
PARTS ASSY,AML (3 SECTION)

【組立名称一覧】より選択してください。  
SEE THE CORRESPONDING "ASSEMBLY NAME" LIST.

# TM-ZE260 41008401245A FRAME/SAFETY EYES

Pos No.	Parts No	Parts Name	Qty	Unit	Technical Data	Serial No (Start)	Serial No (End)	Remarks	Pa
1	31731071600	SUPPORT	1						
2	37002464530	HOSE	1		L=1250				
3	37002513450	HOSE	1		L=1450				
4	91810130270	FASTENER	5						
5	80400160203	JOINT (WITH O-RING)	1						
6	80400160182	JOINT (WITH O-RING)	1						
7	91803600400	CLIP	2		D=27-40				
8	80430620800	JOINT	1						
9	80400160189	JOINT	1						
10	31731071701	SUPPORT	1						
11	37000604210	CLAMP	1		D=36				
13	90201780800	NUT	4		M8				
14	90302040801	WASHER,SPRING	4		8				
16	90171110025	BOLT	5		M10X25				
17	90302041001	WASHER,SPRING	4		10				
18	90303071001	WASHER,PLAIN	4		10				
19	90201781000	NUT	2		M10				
20	80481103020	JOINT	4		PF3/8-PF1/4				
22	91002801400	O-RING	10		1B P14				
23	82100001413	TUBE, SPIRAL	1	M	SE-15BK				
24	90186208016	BOLT, FLANGE	1		M8X16				
25	90280200800	NUT, FLANGE	1		M8				
26	82100001819	TUBE, SPIRAL	1	M	SE-18BK				
27	31731071510	SUPPORT	1						
28	82100002016	CLAMP	1		WR25				
29	90186208010	BOLT, FLANGE	1		M8X10				
30	37000925030	JOINT	2		PF3/8-PF3/8				
31	80481104046	JOINT	1						
32	91002801800	O-RING	1		1B P18				
33	37000926260	JOINT	2						
34	37000932150	JOINT	2		S,G3/8-G3/8				
51	91002802900	O-RING	1		1B P29				
61	91002801800	O-RING	3		1B P18				

## TM-ZE260 41008401245A FRAME/SAFETY EYES

Pos No.	Parts No	Parts Name	Qty	Unit	Technical Data	Serial No (Start)	Serial No (End)	Remarks	Pages
1	31440870100	ROLLER ASSY	1						
2	37000105740	PIN	2						
3	80136332020	PIN,SPLIT	2		3.2X20				
4	90303071001	WASHER,PLAIN	4		10				
5	37001300000	SPRING	2						
11	37001107470	ROLLER ASSY	1						
12	37001112610	ROLLER ASSY	1						
13	31440870300	PIN	1						
14	31440870150	SUPPORT	1						
15	31440150350	WASHER,PLAIN	1						
16	90286001007	NUT	1		M10 P=1.25				
17	90303070801	WASHER,PLAIN	1		8				
18	90267200800	NUT	1		M10				
19	37001112430	ROLLER ASSY	1						
32	80516006001	BEARING,BALL	4						
33	80602110280	RING,RITAINING	2		R28				

# TM-ZE260 41008401245A FRAME/SAFETY EYES

Pos No.	Parts No	Parts Name	Qty	Unit	Technical Data	Serial No (Start)	Serial No (End)	Re
1	(*****)	RADIO CONTROL (RADICON-LESS)	1					

# TM-ZE260 41008401245A FRAME/SAFETY EYES

Pos No.	Parts No	Parts Name	Qty	Unit	Technical Data	Serial No (Start)	Serial M
329	91002800300	O-RING	1		1B P3		
332	36648365220	BALL,STEEL	1		3/32		
333	36604835020	ROD,PUSH	1				
334	36645495250	SOLENOID ASSY	1				
335	36645495260	RING,BACKUP	1				
336	36646525120	NEEDLE	1				
337	90203200800	NUT	1		M8		
338	36646875150	ORIFICE	1		M3		
341	36647175110	NUT,CAP	1		M8		
343	36635735120	SPRING	1				
344	36603185150	TUBE	1				
346	36647175100	SEAT,SPRING	1				
500	36740840000	VALVE,REMOTE CONTROL	1				

# TM-ZE260 41008401245A FRAME/SAFETY EYES

Pos No.	Parts No	Parts Name	Qty	Unit	Technical Data	Serial No (Start)	Serial No (E
1	36806571000	CONTROL UNIT	1				
2	(*****)	ELEC.ASSY (MOUNT CONTROL UNIT)	1				
3	(*****)	ELEC.ASSY (PULG FOR ANTENNA UNIT)	1				

# TM-ZE260 41008401245A FRAME/SAFETY EYES

Pos No.	Parts No	Parts Name	Qty	Unit	Technical Data	Serial No (Start)	Serial No (End)	Remarks	Pages
10	36804914000	BOX,STOWING	1						

# TM-ZE260 41008401245A FRAME/SAFETY EYES

Pos No.	Parts No	Parts Name	Qty	Unit	Technical Data	Serial No (Start)	Serial No (End)	Remarks	Pages
2	42461050200	STOPPER,TIRE	1						

# TM-ZE260 41008401245A FRAME/SAFETY EYES

Pos No.	Parts No	Parts Name	Qty	Unit	Technical Data	Serial No (Start)	Serial No (End)	R
1	(*****)	PIPING,OUTRIGGER	1					
2	31501641000	ELEC.ASSY (JACK INTERLOCK)	1					
6	(*****)	PLATE ASSY,NAME (INTERLOCK)	1					
7	(*****)	COVER (O/R HARNESS PROTECT)	1					

# TM-ZE260 41008401245A FRAME/SAFETY EYES

Pos No.	Parts No	Parts Name	Qty	Unit	Technical Data	Serial No (Start)	Serial No (End)	Remarks	
1	(*****)	PIPING ASSY	1						C
2	(*****)	ELEC.ASSY	1						C
3	(*****)	LAMP ASSY (ALARM/RED)	2						C
5	(*****)	NAME PLATE ASSY	1						C

CLICK HERE TO **DOWNLOAD** THE COMPLETE MANUAL

- Thank you very much for reading the preview of the manual.
- You can download the complete manual from: [www.heydownloads.com](http://www.heydownloads.com) by clicking the link below



- Please note: If there is no response to CLICKING the link, please download this PDF first and then click on it.

CLICK HERE TO **DOWNLOAD** THE COMPLETE MANUAL