

TM-ZE300 41044504006A FRAME/STANDARD,MANUAL VALVE,WITH RJ
PB0000118-02 SYSTEM (ZE300,EXPORT)
ASSEMBLY

CLICK HERE TO **DOWNLOAD** THE COMPLETE MANUAL

- Thank you very much for reading the preview of the manual.
- You can download the complete manual from: www.heydownloads.com by clicking the link below



- Please note: If there is no response to CLICKING the link, please download this PDF first and then click on it.

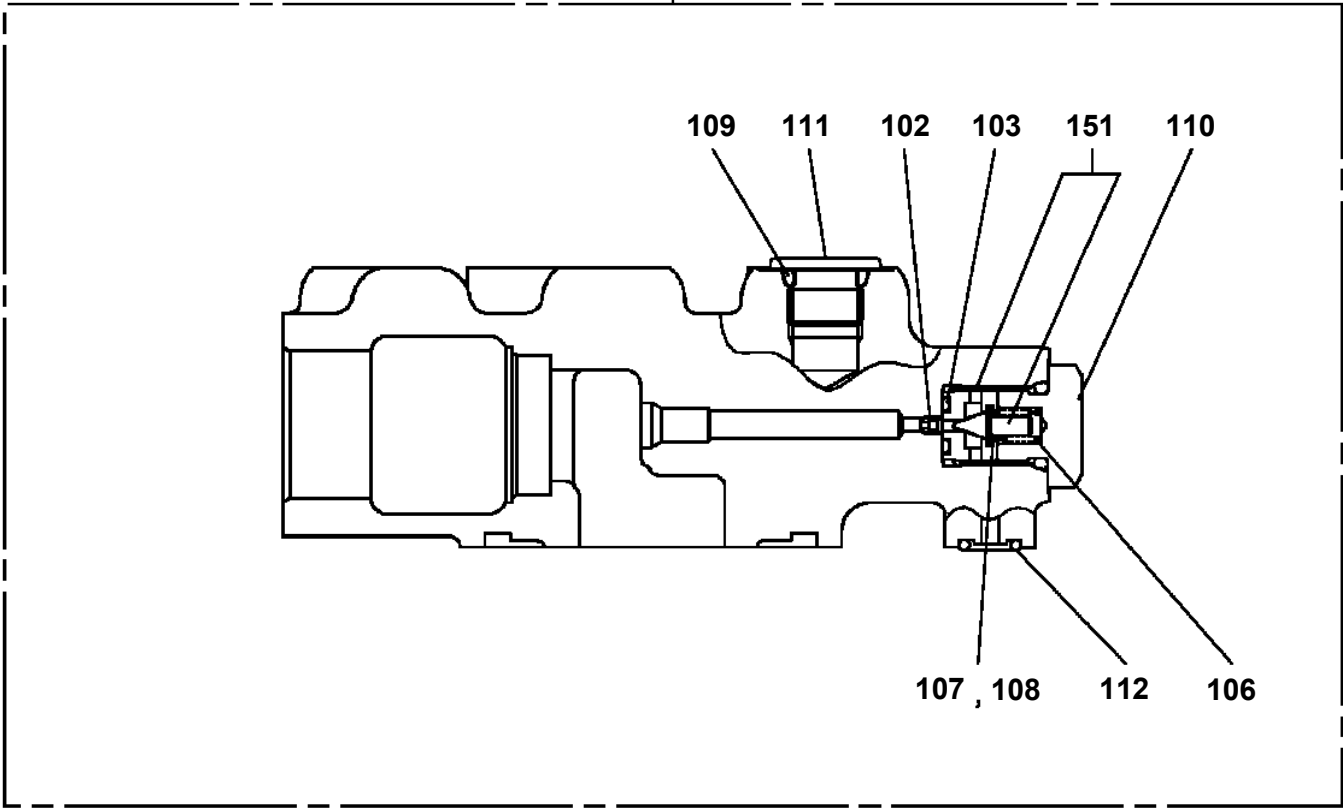
CLICK HERE TO **DOWNLOAD** THE COMPLETE MANUAL

TM-ZE300 41044504006A FRAME/STANDARD,MANUAL VALVE,WITH RJ

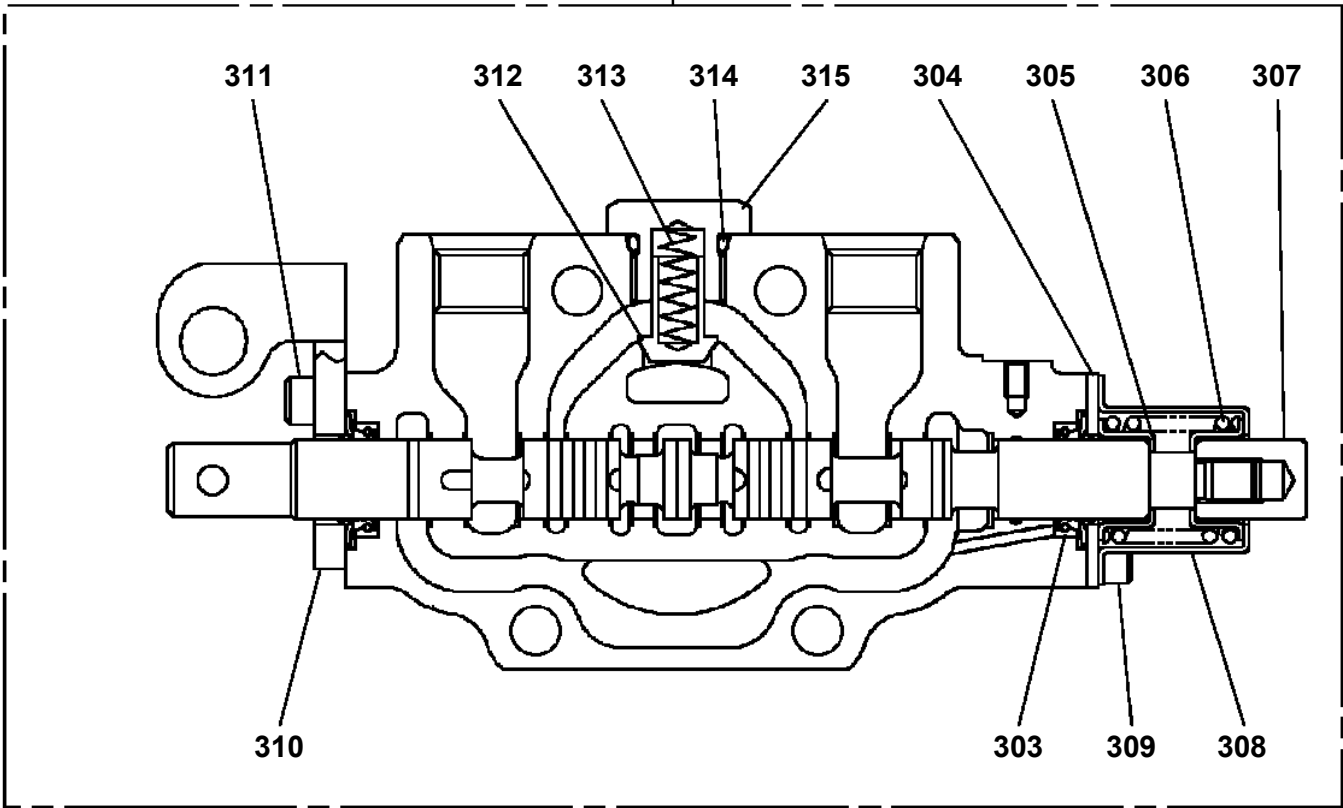
Pos No.	Parts No	Parts Name	Qty	Unit	Technical Data	Serial No (Start)	Serial No (End)	Remark
81	36651645010	SEAL KIT	1					
100	36654340000	PUMP,HYDRAULIC (52CC:R)	1					

**TM-ZE300 41044504006A FRAME/STANDARD,MANUAL VALVE,WITH RJ
PB1320633-00 VALVE,MANUAL CONTROL**

4



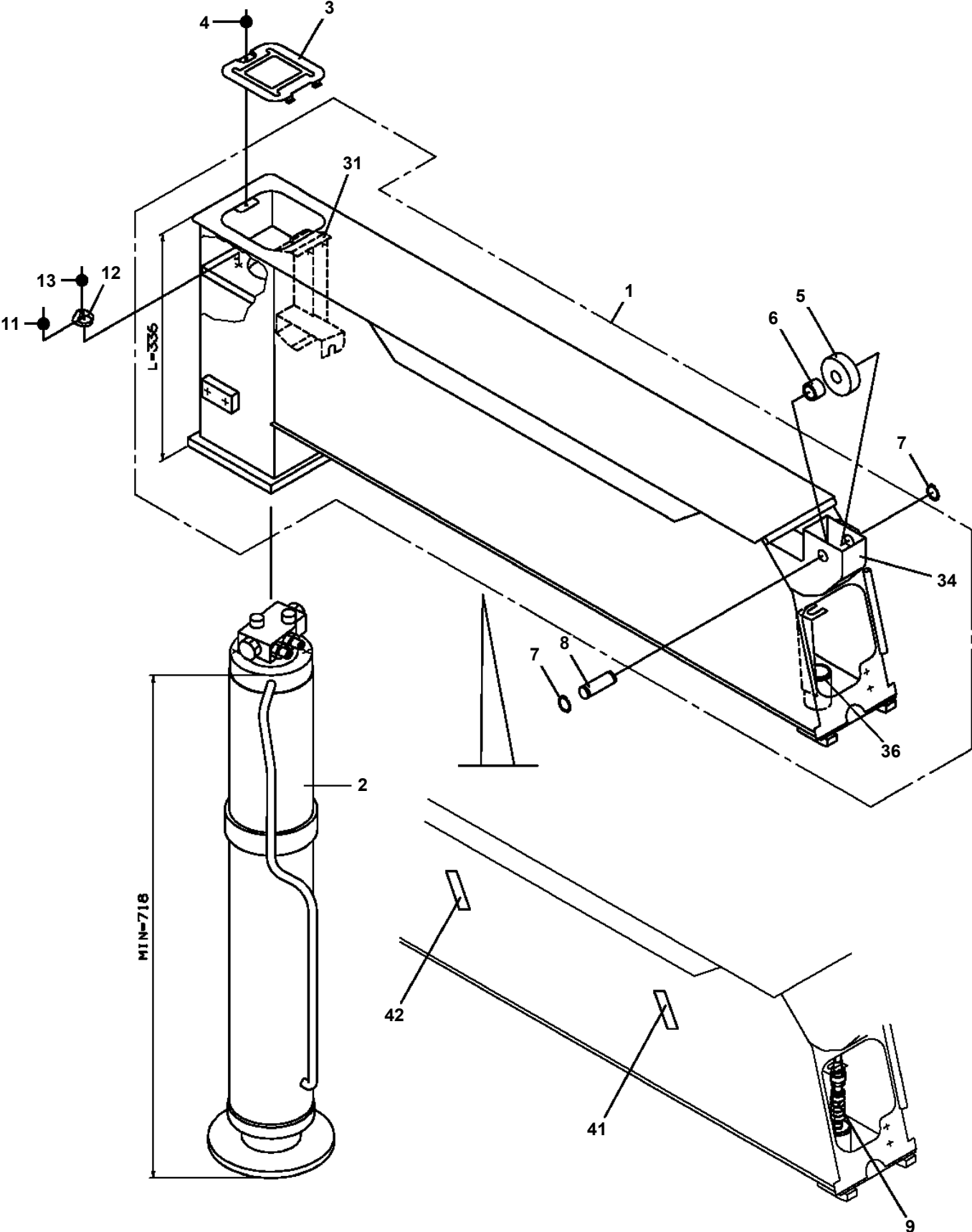
8



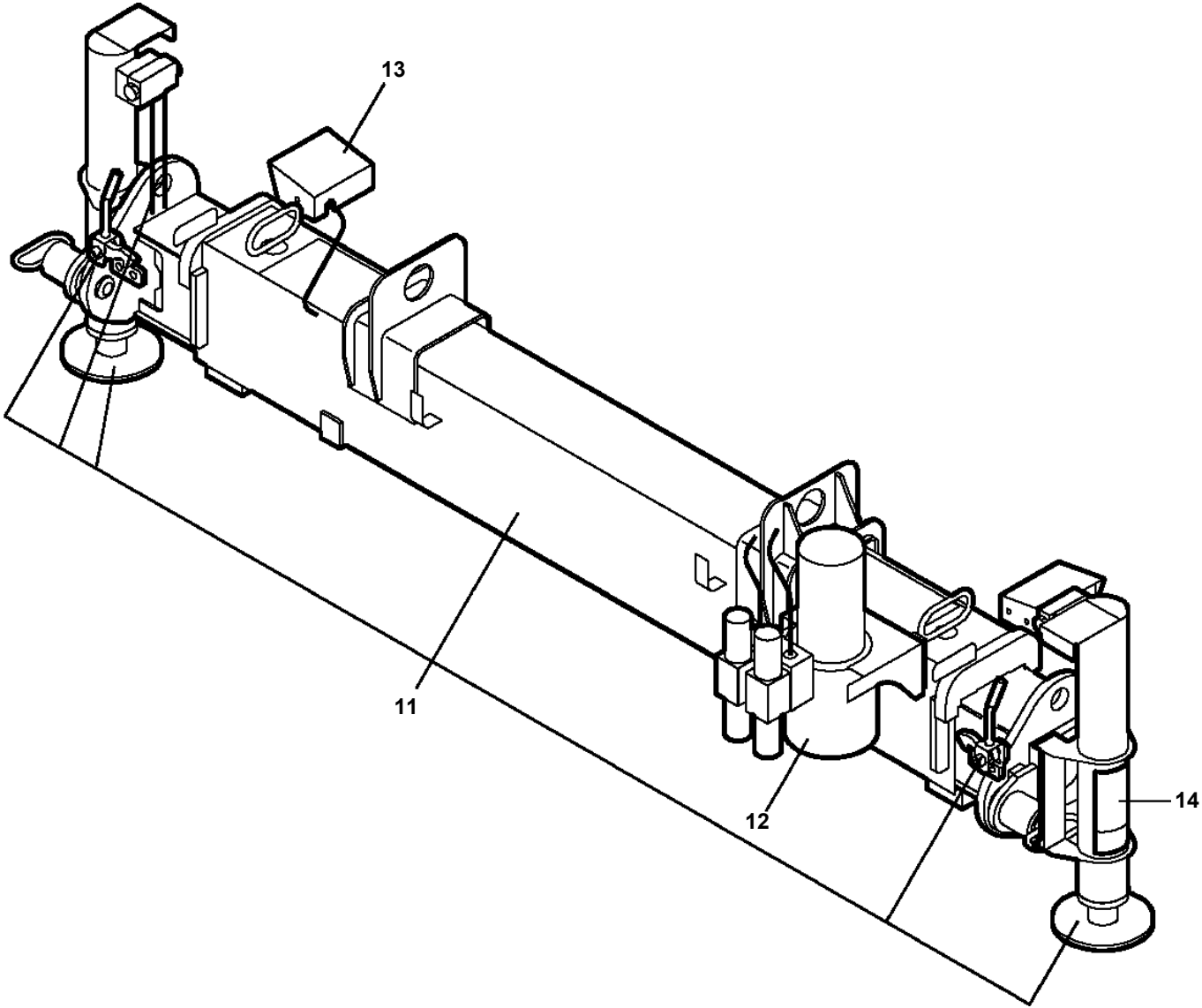
TM-ZE300 41044504006A FRAME/STANDARD,MANUAL VALVE,WITH RJ

Pos No.	Parts No	Parts Name	Qty	Unit	Technical Data	Serial No (Start)	Serial No (End)	Remarks	Pa
1	37002465150	HOSE	1		L=425				
2	37002471640	HOSE	1		L=360				
3	91002801400	O-RING	8		1B P14				
4	37000804580	JOINT	1						
5	91803880070	CLIP	2		D=13.1-16.2				
6	37002459330	HOSE	1		L=1360				
7	37002459320	HOSE	1		L=1300				
8	37002501360	HOSE	1		L=450				
9	80430620600	JOINT (WITH O-RING)	2		L,G3/8-G3/8				
10	37000920990	JOINT	2						
11	37002448850	HOSE	1		L=600				
	37002480680	HOSE	1		L=600				
12	37002480670	HOSE	1		L=560				
	37002448860	HOSE	1		L=560				
13	37000800310	JOINT	1						
14	82100001412	TUBE, SPIRAL	1	M	SE-12BK				
31	91002801400	O-RING	2		1B P14				

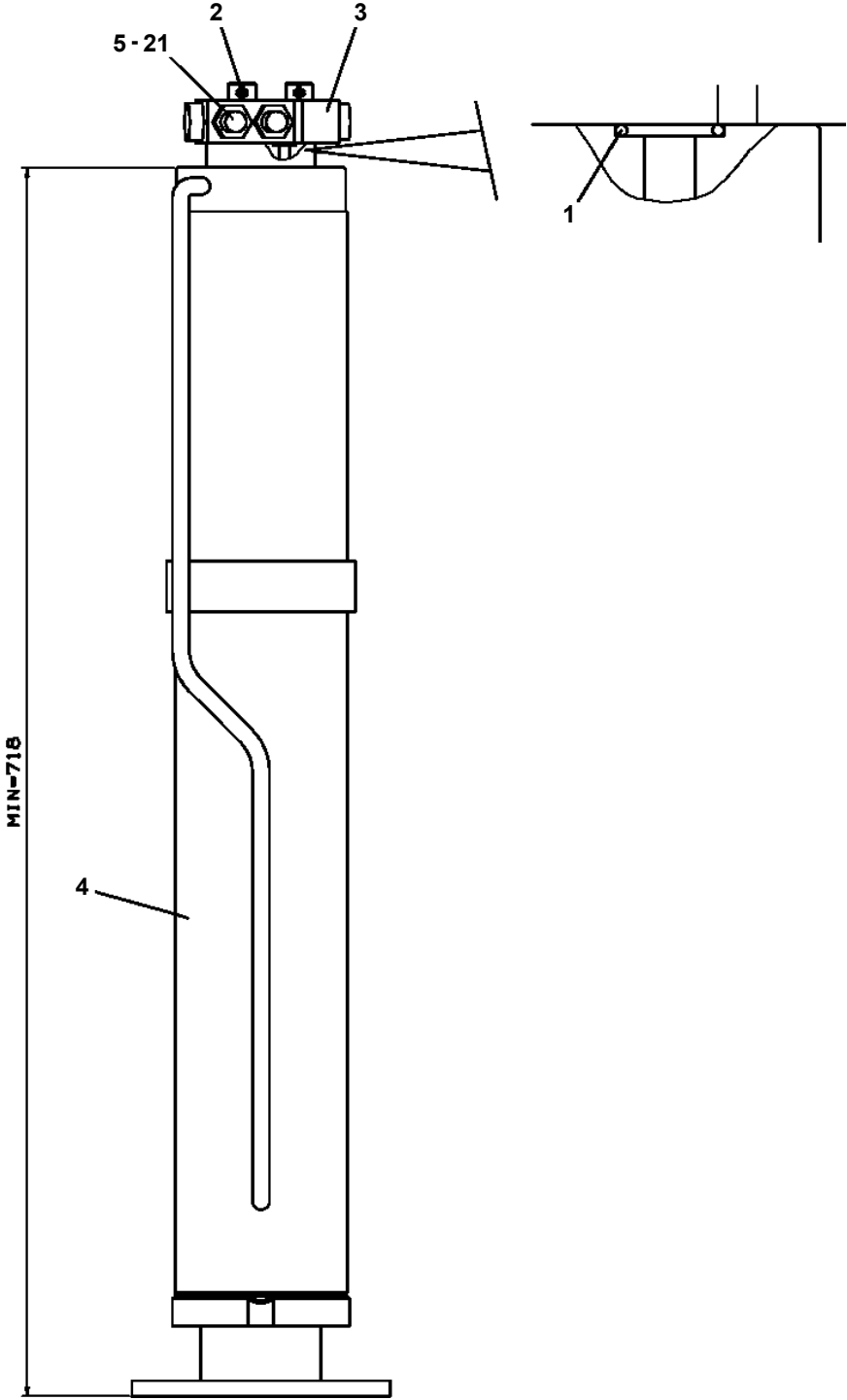
**TM-ZE300 41044504006A FRAME/STANDARD, MANUAL VALVE, WITH RJ
PC1011318-01 OUTRIGGER (CASE:L=336,MIN=718/WITH FLOAT)**



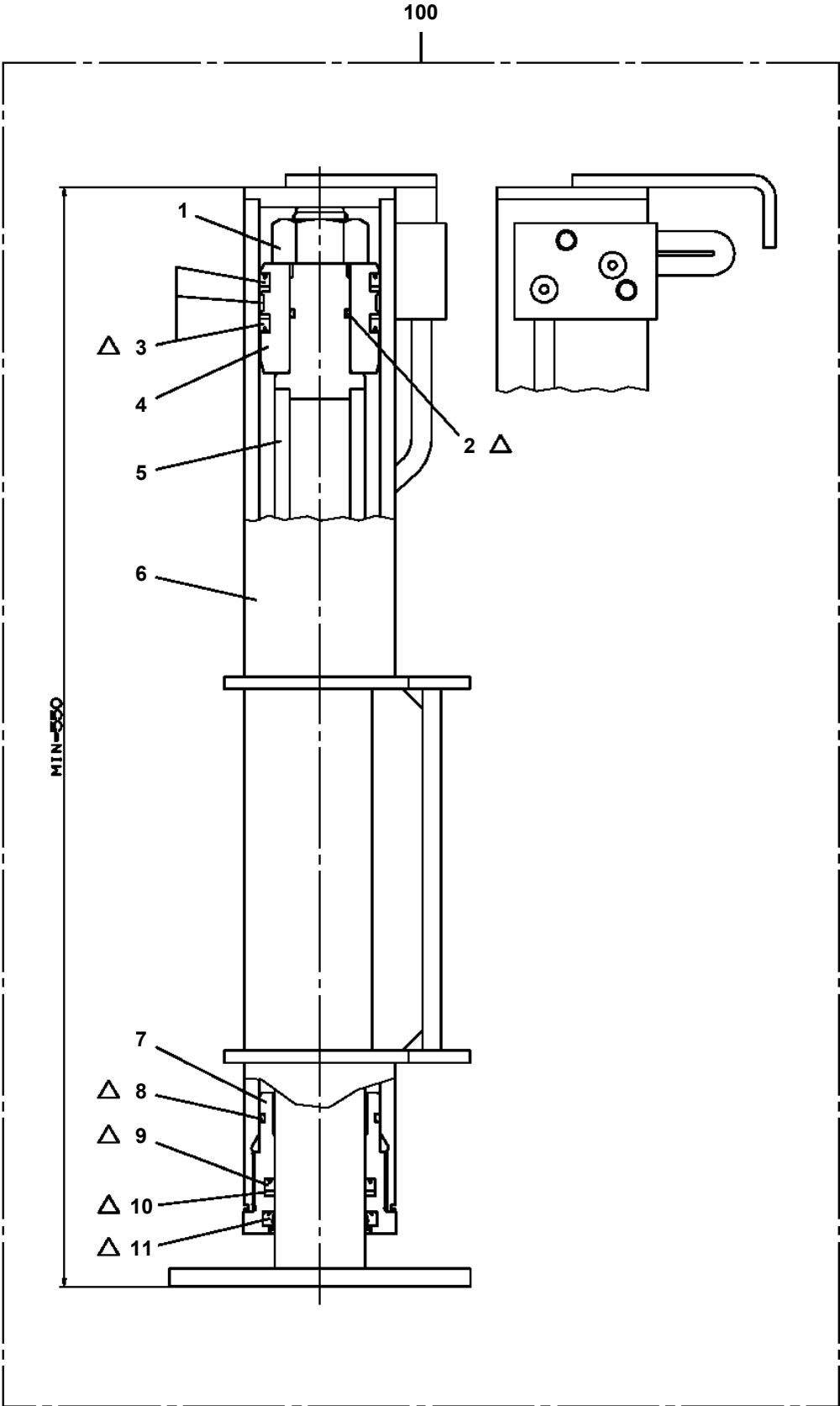
**TM-ZE300 41044504006A FRAME/STANDARD,MANUAL VALVE,WITH RJ
PC1020103-01 OUTRIGGER,REAR (ROTARY/POWER PACKAGE)**



**TM-ZE300 41044504006A FRAME/STANDARD,MANUAL VALVE,WITH RJ
PC1030443-01 CYLINDER,JACK (MIN=718,WITH FLOAT)**

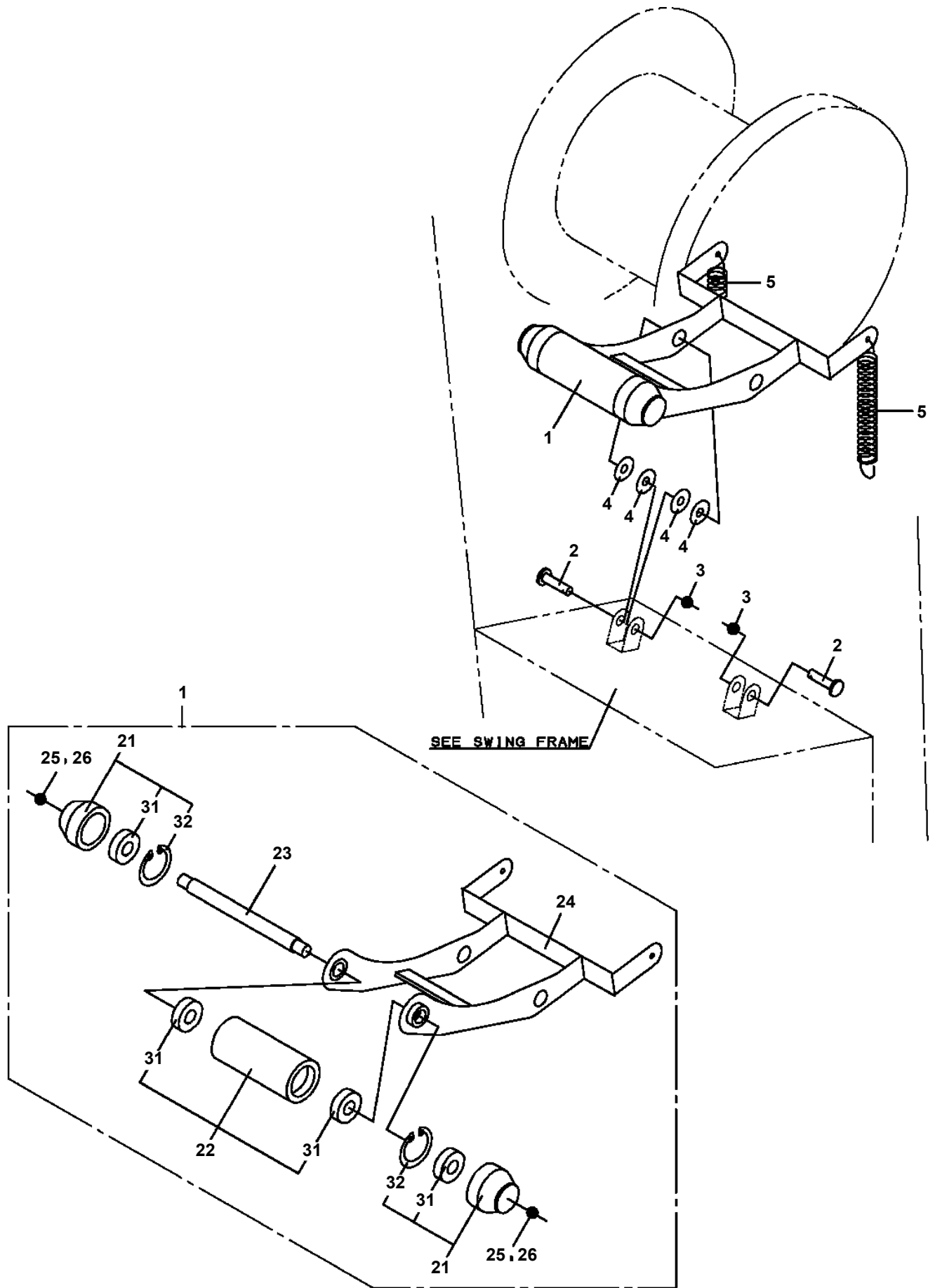


**TM-ZE300 41044504006A FRAME/STANDARD,MANUAL VALVE,WITH RJ
PC6390047-02 CYLINDER ASSY,JACK (MIN.550)**

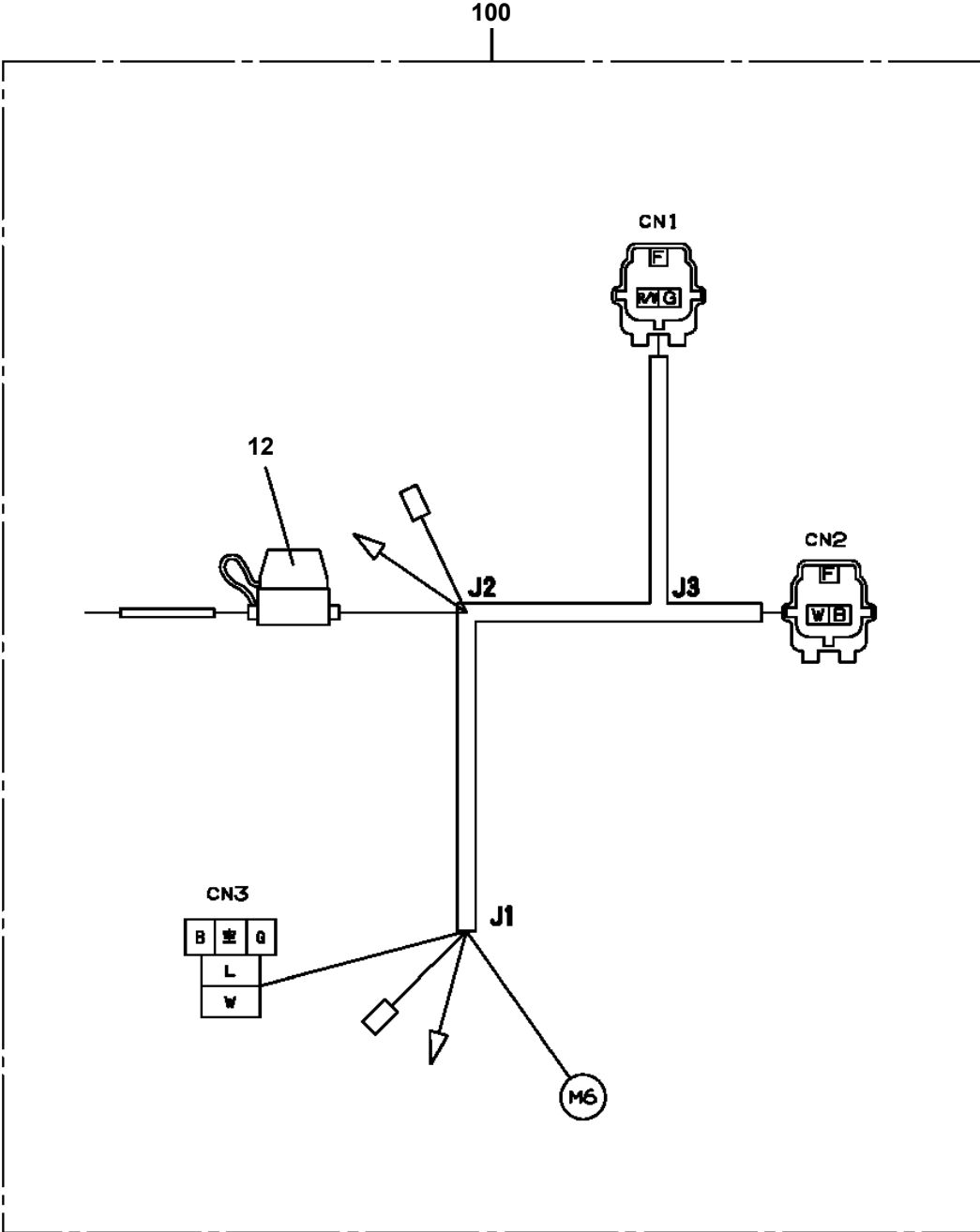


△:PACKING SET KEY NO.50 (KEY NO.2,3,8,9,10,11)

**TM-ZE300 41044504006A FRAME/STANDARD, MANUAL VALVE, WITH RJ
PF1180084-01 DETECTOR, DISORDERLY WIND**



TM-ZE300 41044504006A FRAME/STANDARD, MANUAL VALVE, WITH RJ
PH5033293-00 HARNESS



CLICK HERE TO **DOWNLOAD** THE COMPLETE MANUAL

- Thank you very much for reading the preview of the manual.
- You can download the complete manual from: www.heydownloads.com by clicking the link below

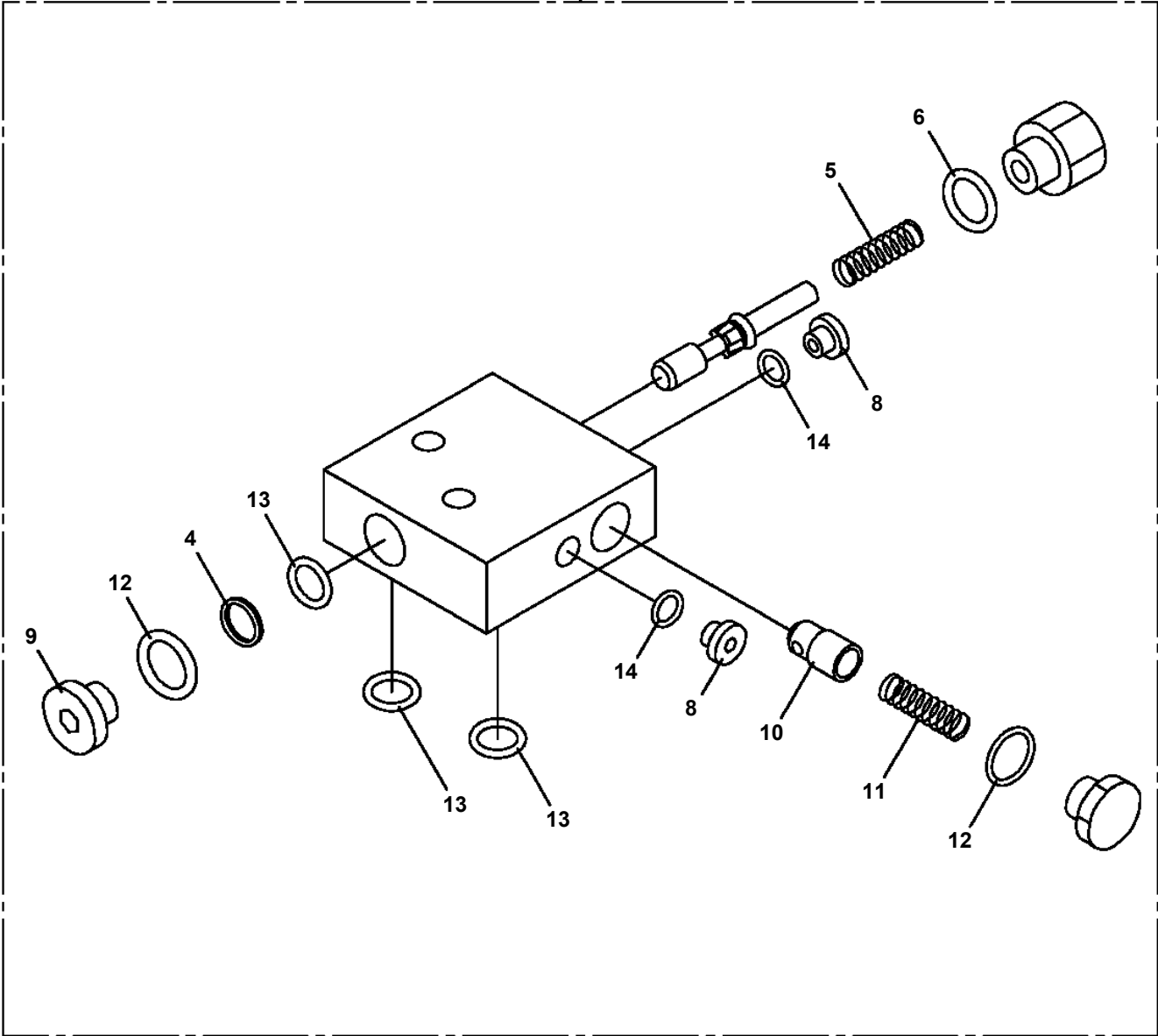


- Please note: If there is no response to CLICKING the link, please download this PDF first and then click on it.

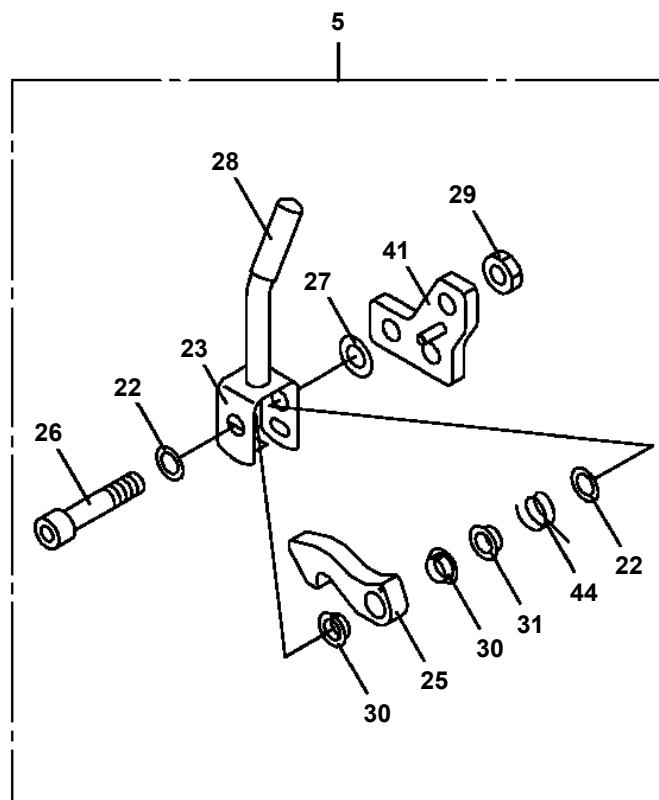
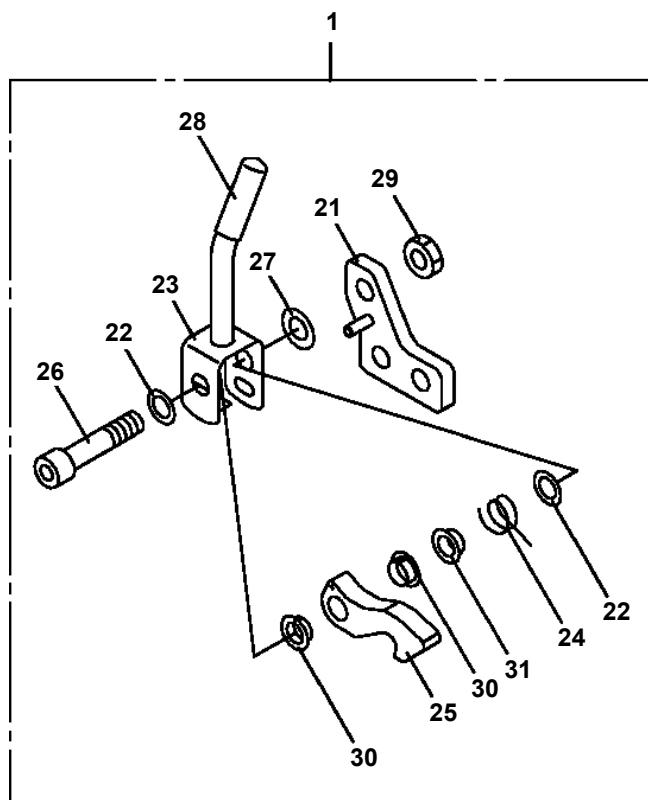
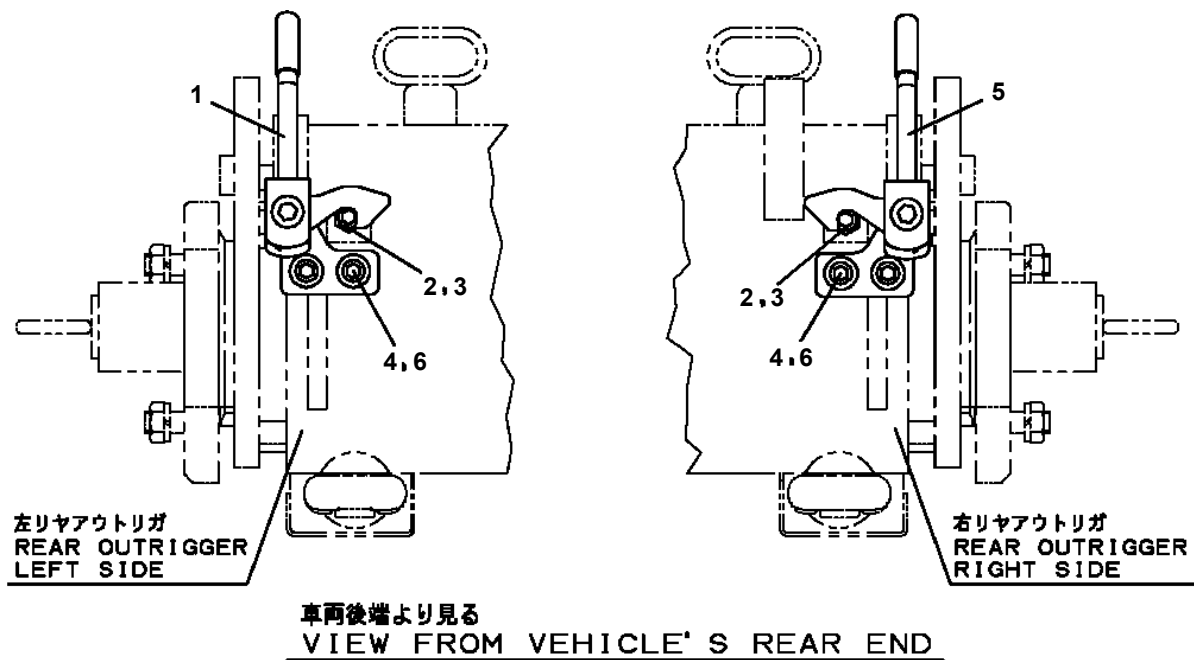
CLICK HERE TO **DOWNLOAD** THE COMPLETE MANUAL

TM-ZE300 41044504006A FRAME/STANDARD,MANUAL VALVE,WITH RJ
PI1250160-02 VALVE,COUNTERBALANCE

50



**TM-ZE300 41044504006A FRAME/STANDARD,MANUAL VALVE,WITH RJ
PJ3410034-02 LOCK ASSY (REAR OUTRIGGER)**



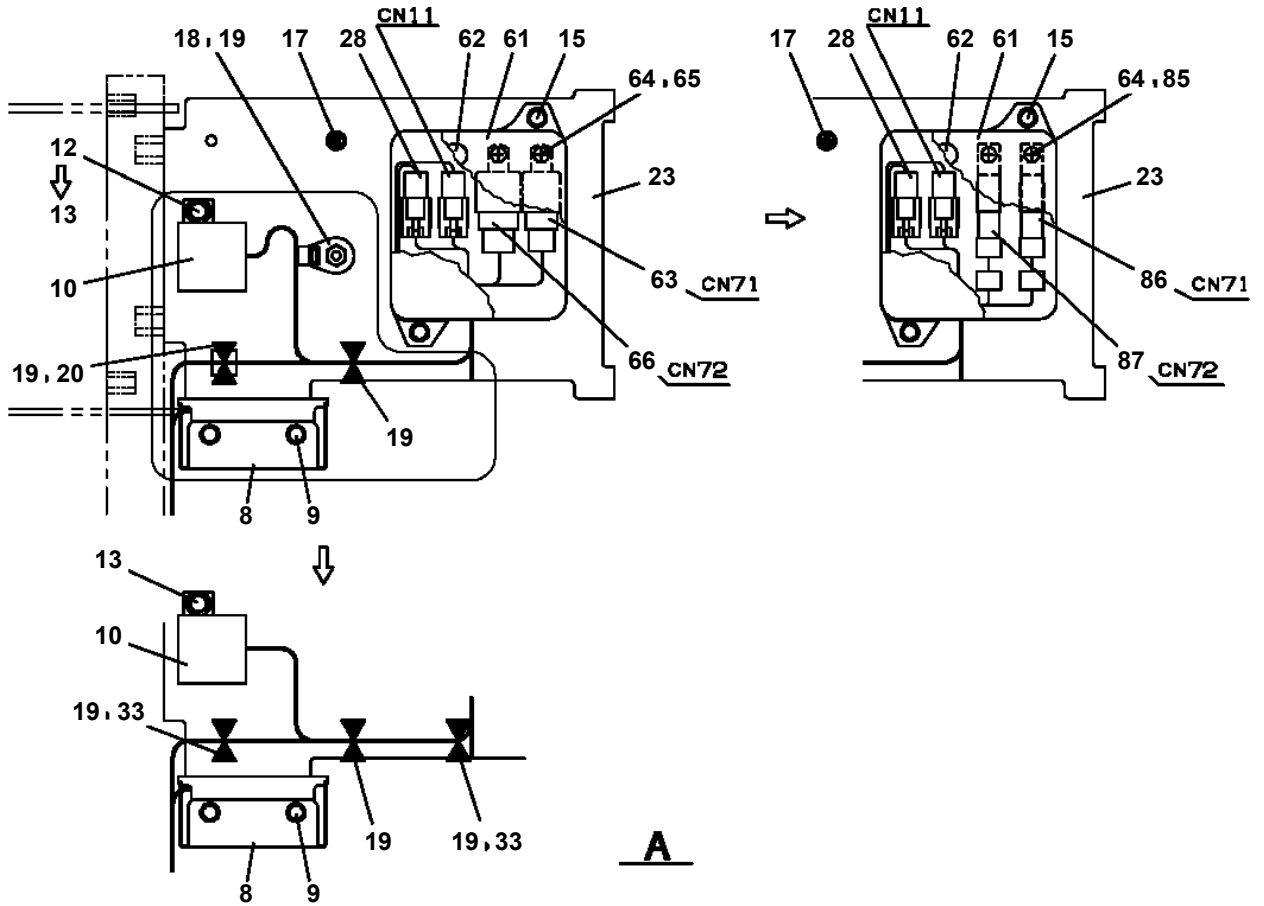
TM-ZE300 41044504006A FRAME/STANDARD,MANUAL VALVE,WITH RJ

Pos No.	Parts No	Parts Name	Qty	Unit	Technical Data	Serial No (Start)	Serial No (End)	Remarks	Pages
1	31231579510	POST	1						
2	37000205240	PIN (MACHINING)	1						
	37000202780	PIN (WELDING)	1						
3	80136363080	PIN,SPLIT	1		6.3X80				
4	37000209230	PIN	1						
5	31230412000	COVER	1						
6	37000527860	PLATE	1		T=1.5				
7	90101210016	BOLT	2		M10X16				
8	82400000459	CAP	1						
9	82458102000	NIPPLE,GREASE	1		B-PT1/8				
21	31230580220	SUPPORT	2						

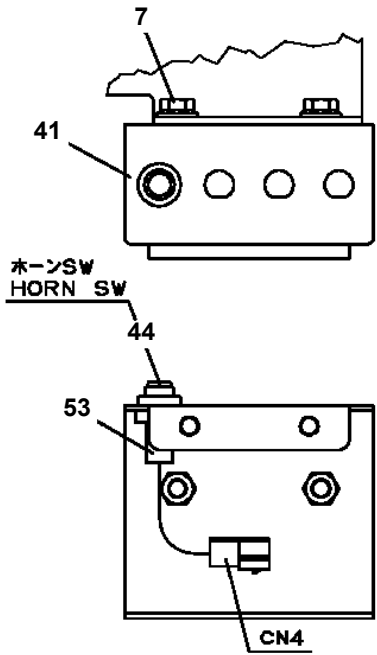
TM-ZE300 41044504006A FRAME/STANDARD,MANUAL VALVE,WITH RJ

Pos No.	Parts No	Parts Name	Qty	Unit	Technical Data	Serial No (Start)	Ser
1	(*****)	OUTRIGGER (L=471,MIN=718/WITH FLOAT)	1				
	(*****)	OUTRIGGER (L=462,MIN=709/WITHOUT FLOAT)	1				
2	(*****)	OUTRIGGER,REAR (ROTARY/POWER PACKAGE)	1				
3	37001804710	ROPE,WIRE (KISWIRE)	1				
4	(*****)	DETECTOR,DISORDERLY WIND	1				
5	(*****)	PIPING,LOWER (JOINT FOR RETURN FILTER)	1				
6	36683830000	METER,LOAD (3.0T ENGLISH/NAGANO)	1				

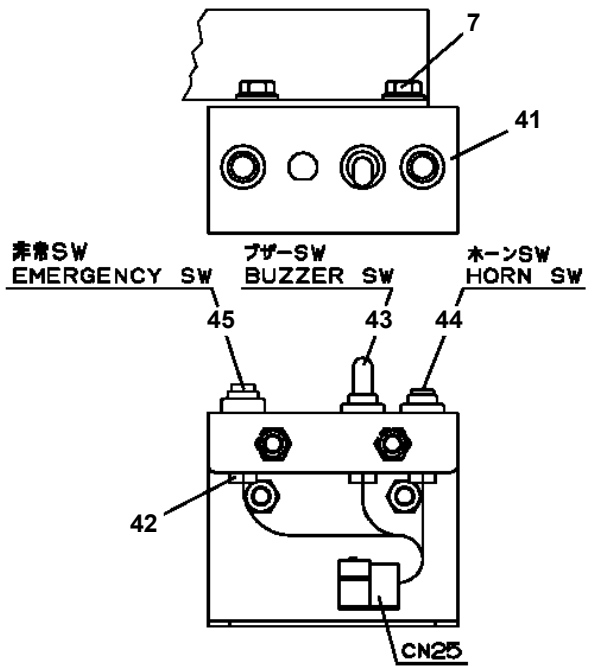
**TM-ZE300 41044504006A FRAME/STANDARD, MANUAL VALVE, WITH RJ
PN1014768-05 ELEC.ASSY (PANEL SWITCH)**



A



C

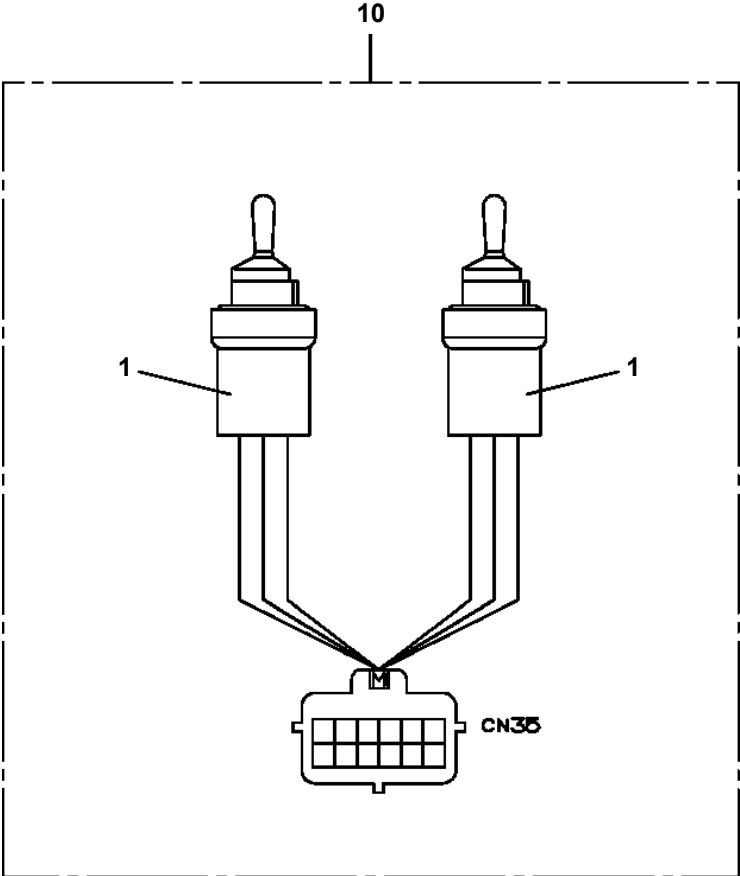


D

ホーンSW
HORN SW

非常SW
EMERGENCY SW フォー-SW
BUZZER SW ホーンSW
HORN SW

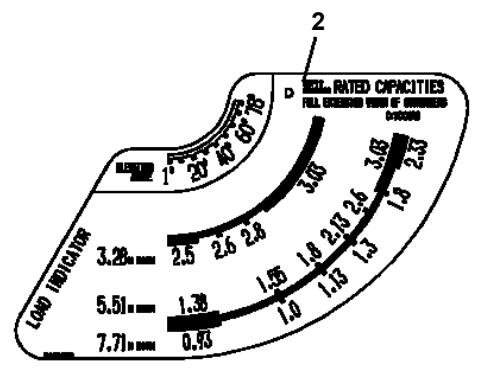
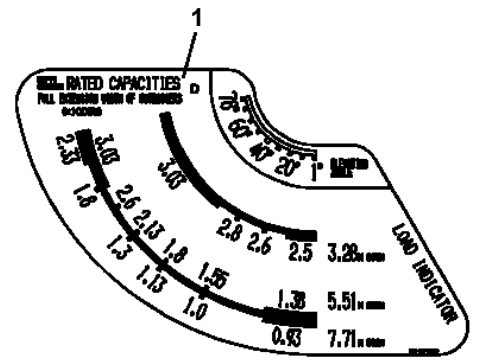
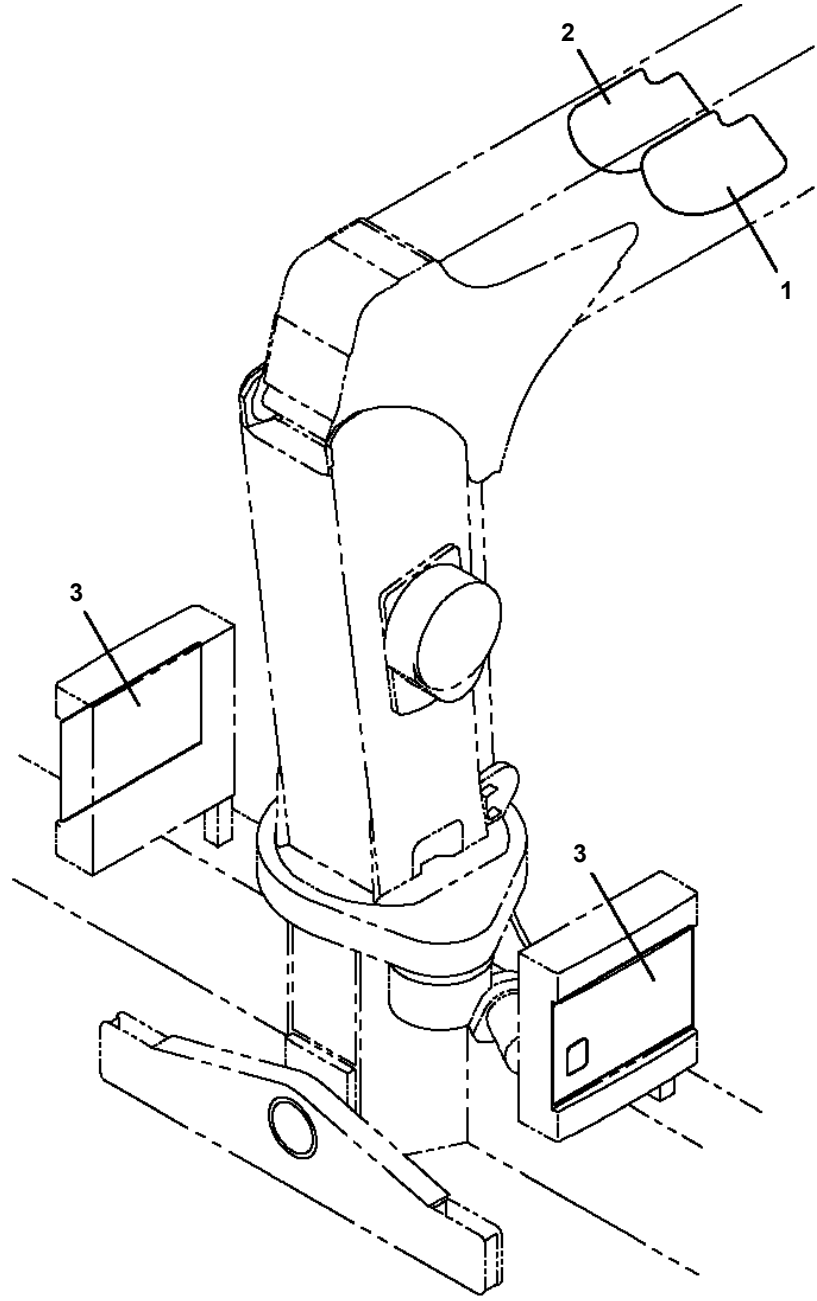
**TM-ZE300 41044504006A FRAME/STANDARD,MANUAL VALVE,WITH RJ
PN1140239-00 SWITCH ASSY (WITH HARNESS,2-SW)**



TM-ZE300 41044504006A FRAME/STANDARD,MANUAL VALVE,WITH RJ

Pos No.	Parts No	Parts Name	Qty	Unit	Technical Data	Serial No (Start)	Serial No
1	(*****)	PLATE ASSY,NAME (CONT.,CAUTION,HOOK)	1				
2	(*****)	PLATE ASSY,NAME (POST)	1				
3	(*****)	PLATE ASSY,NAME (PANEL)	1				
4	(*****)	PLATE ASSY,NAME (OIL)	1				

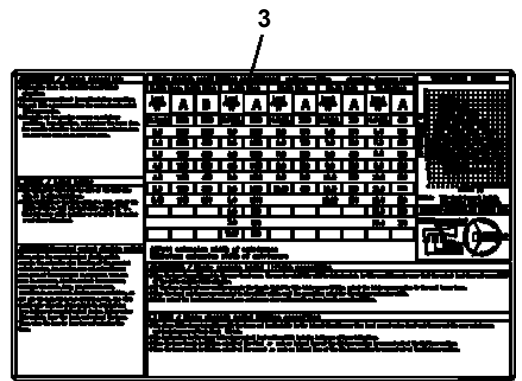
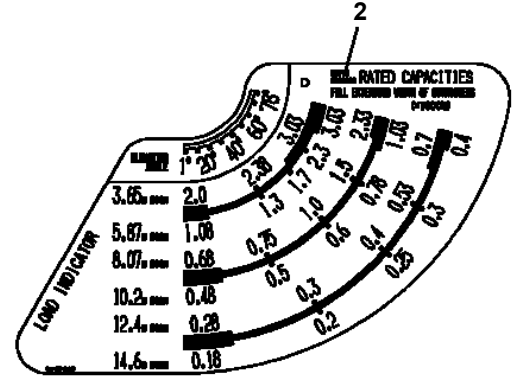
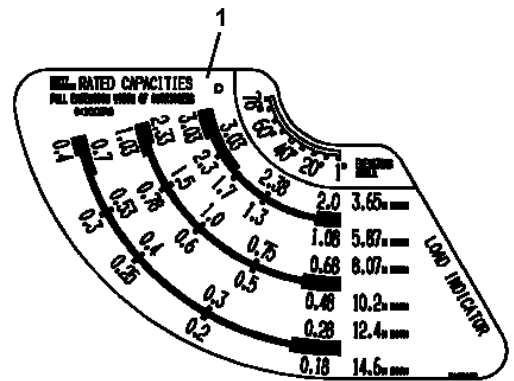
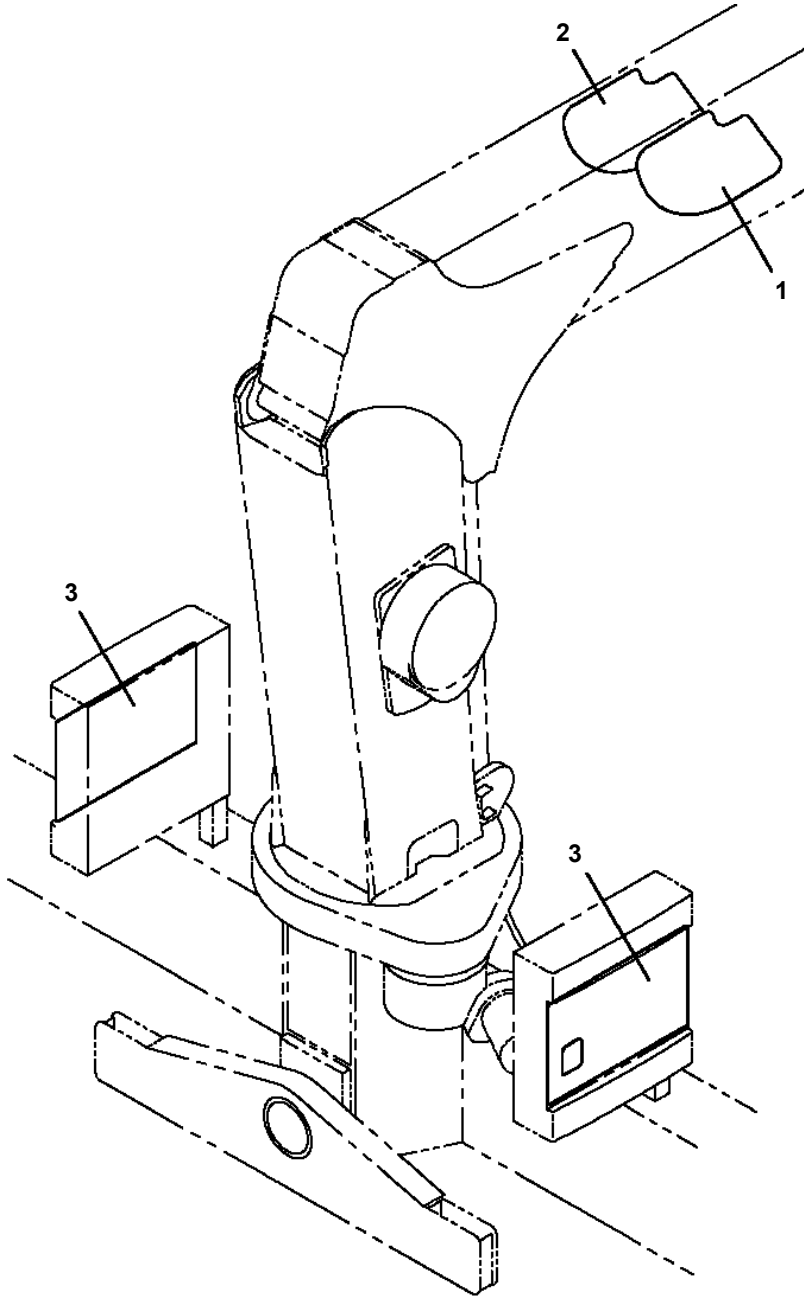
**TM-ZE300 41044504006A FRAME/STANDARD, MANUAL VALVE, WITH RJ
PO1071022-01 PERFORMANCE DATA (D:3030KG/ZE303M, MH)**



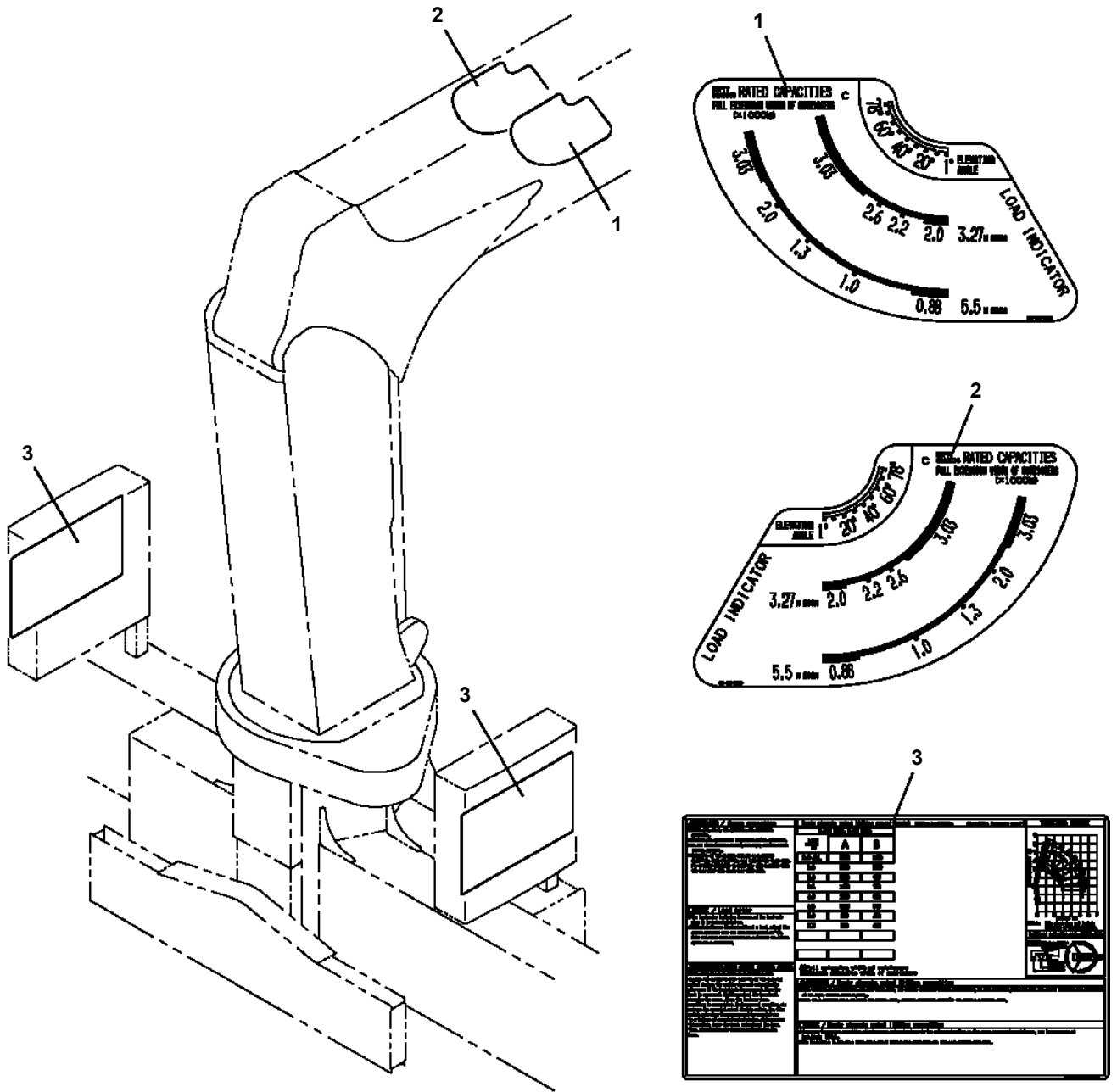
Performance data table. It contains technical specifications and a grid. The table is divided into several sections with various data points and a grid on the right side.

Technical Specifications		Grid	
Model	TM-ZE300	Grid 1	Grid 2
Capacity	3030 KG	Grid 3	Grid 4
Height	200000	Grid 5	Grid 6
Configuration	Full Extended Tower	Grid 7	Grid 8
Manufacturer	TM	Grid 9	Grid 10

**TM-ZE300 41044504006A FRAME/STANDARD, MANUAL VALVE, WITH RJ
PO1071028-01 PERFORMANCE DATA (D:3030KG/ZE306M, MH:RJ)**



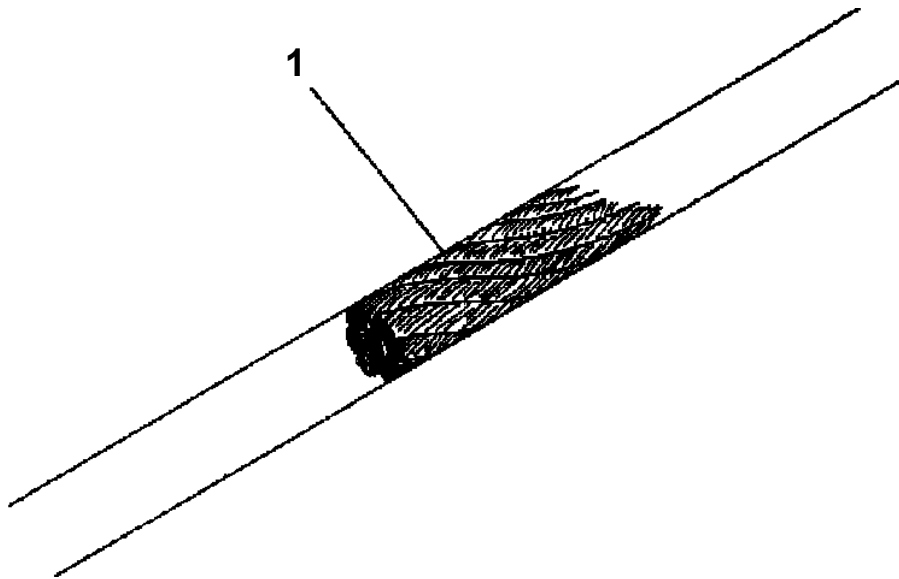
**TM-ZE300 41044504006A FRAME/STANDARD, MANUAL VALVE, WITH RJ
PP5200113-01 PERFORMANCE DATA (C:3030KG/ZE302MH)**



注 意：本図は参考用に掲載しており、形状などは実機と異なります。

NOTE: THE ABOVE FIGURE IS FOR REFERENCE AND MAY DIFFER FROM THE ACTUAL APPEARANCE OF YOUR MACHINE.

**TM-ZE300 41044504006A FRAME/STANDARD,MANUAL VALVE,WITH RJ
PR5170002-00 ROPE,WIRE (KISWIRE)**



**TM-ZE300 41044504006A FRAME/STANDARD,MANUAL VALVE,WITH RJ
PX5300004-00 MOUNT ASSY,EMERGENCY PUMP**

マウントASSY,ヒジ ヨウホ ンプ
MOUNT ASSY,EMERGENCY PUMP

指示番号 KEY NO.	部品名称 PART NAME	備考 REMARK
1	ハイカンASSY PIPING ASSY	
2	ハイセンASSY ELEC.ASSY	

適用製造番号によっては取り付けがないものもあります。

MACHINES OF SOME SERIAL NO. ARE NOT EQUIPPED WITH THESE PARTS.

CLICK HERE TO **DOWNLOAD** THE COMPLETE MANUAL

- Thank you very much for reading the preview of the manual.
- You can download the complete manual from: www.heydownloads.com by clicking the link below



- Please note: If there is no response to CLICKING the link, please download this PDF first and then click on it.

CLICK HERE TO **DOWNLOAD** THE COMPLETE MANUAL