

TM-ZE300 41044502003A BOOM/3 SECT.

PB0000062-01 SYSTEM (ZE300,DOMESTIC)

PB0000066-01 SYSTEM (ZE360,DOMESTIC)

ASSEMBLY

CLICK HERE TO **DOWNLOAD** THE COMPLETE MANUAL

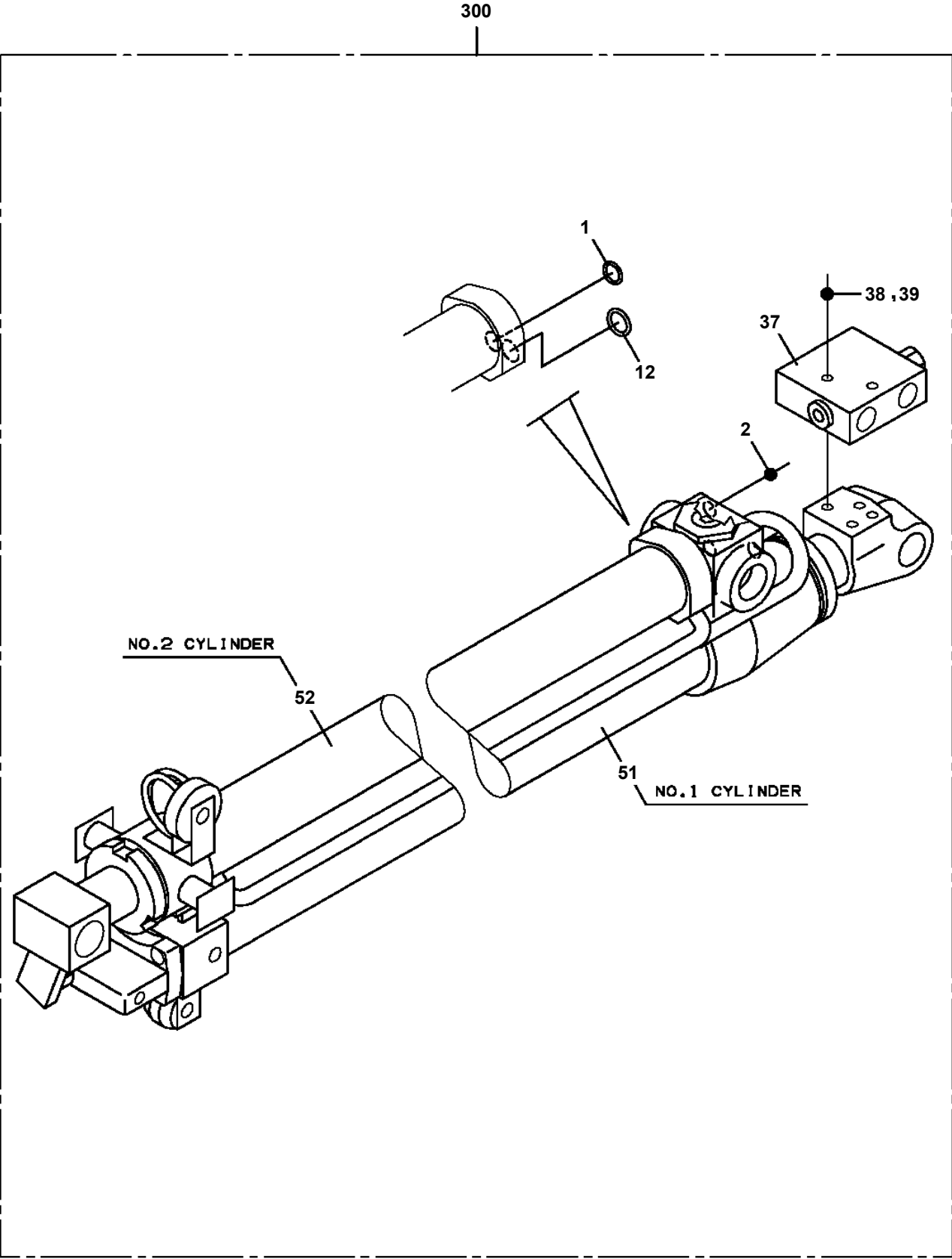
- Thank you very much for reading the preview of the manual.
- You can download the complete manual from: www.heydownloads.com by clicking the link below



- Please note: If there is no response to CLICKING the link, please download this PDF first and then click on it.

CLICK HERE TO **DOWNLOAD** THE COMPLETE MANUAL

TM-ZE300 41044502003A BOOM/3 SECT.
PC6470051-02 CYLINDER ASSY,TELESCOPING

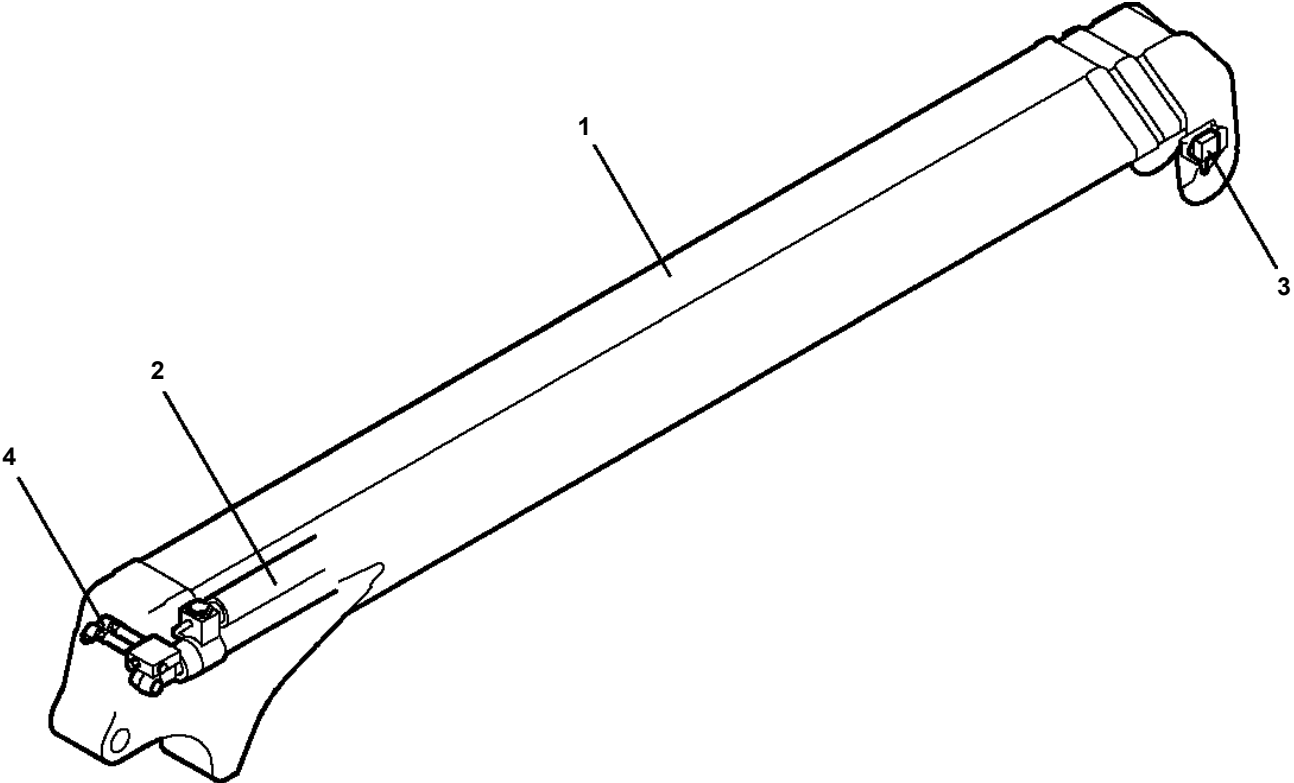


展開図有
ILLUSTRATED BREAKDOWN NO. 51, 52

TM-ZE300 41044502003A BOOM/3 SECT.

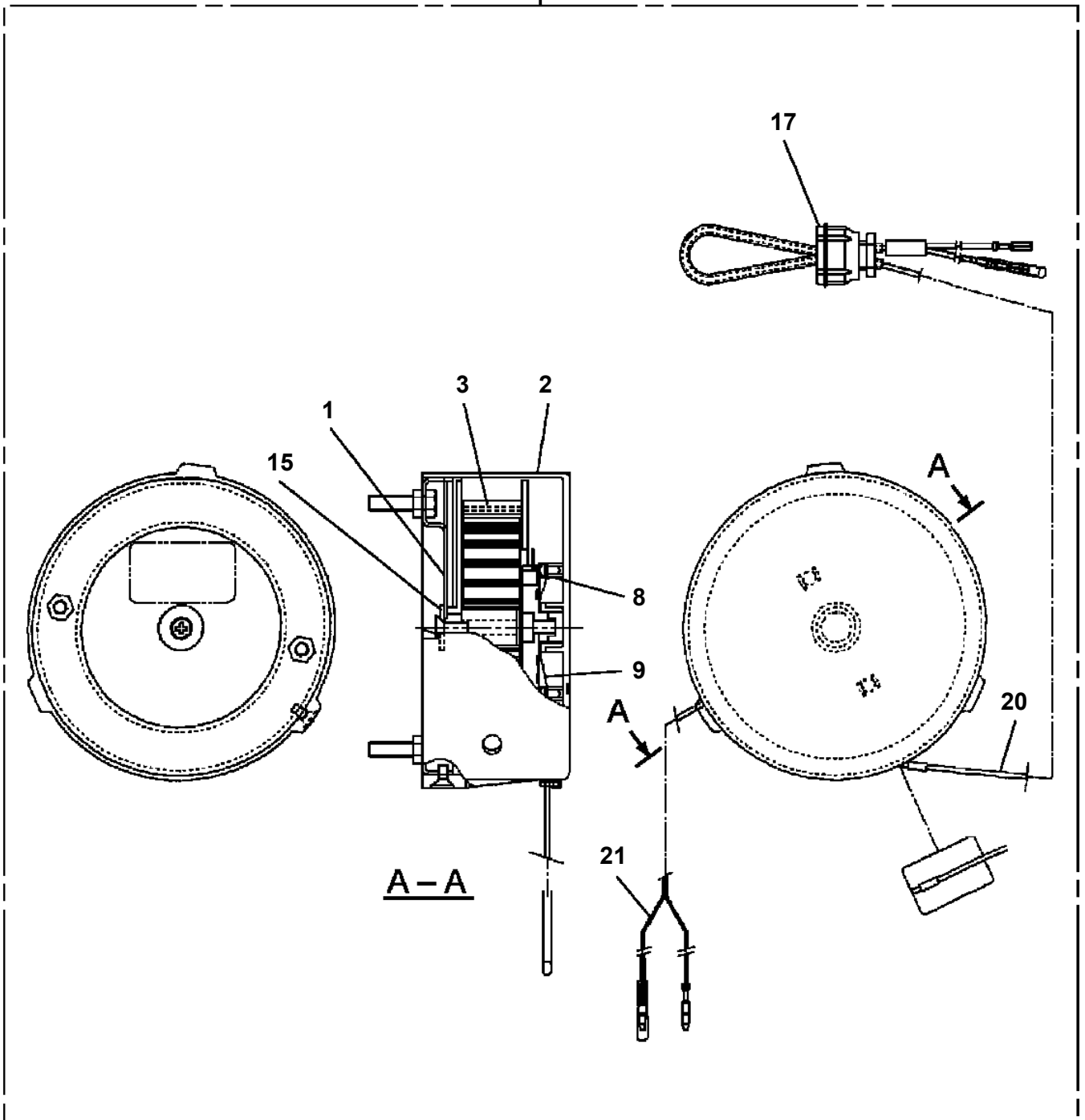
Pos No.	Parts No	Parts Name	Qty	Unit	Technical Data	Serial No (Start)	Serial No (End)	Remarks
1	90191510020	BOLT,HEXAGON SOCKET	8		M10X20			
2	90302041001	WASHER,SPRING	8		10			
3	90303071001	WASHER,PLAIN	4		10			
5	36094495100	SUPPORT	1					
6	37001008670	SHEAVE ASSY	2					
7	80720105056	PIN,SPRING	1		5X56			
10	36093865700	COVER	2					
15	80500051207	BEARING,BALL	1					
16	36093865600	TRUNNION	1					
21	36090299510	STOPPER ASSY	1					
22	36093865010	HOOK ASSY	1					
32	36093861100	BEARING,BALL	2					
100	36094490000	HOOK (SHEAVE 2 PC'S)	1					

TM-ZE300 41044502003A BOOM/3 SECT.
PG2020001-00 BOOM UNIT



TM-ZE300 41044502003A BOOM/3 SECT.
PN1350145-01 REEL, CORD

100



TM-ZE300 41044502003A BOOM/3 SECT.
PO1015140-01 PLATE ASSY,NAME (ZEST)+(ECO)

指示番号 KEY NO.	プレートASSY,ネーム PLATE ASSY,NAME
1	プレートASSY,ネーム PLATE ASSY,NAME
2	プレートASSY,ネーム (タコク) PLATE ASSY,NAME (STAMP)
3	プレートASSY,ネーム (サイレントエコ) PLATE ASSY,NAME (SILENT ECO)

CLICK HERE TO **DOWNLOAD** THE COMPLETE MANUAL

- Thank you very much for reading the preview of the manual.
- You can download the complete manual from: www.heydownloads.com by clicking the link below



- Please note: If there is no response to CLICKING the link, please download this PDF first and then click on it.

CLICK HERE TO **DOWNLOAD** THE COMPLETE MANUAL