

TM-ZE260 41008404067A FRAME/HOOK-IN,MANUAL VALVE

PB0000173-02 SYSTEM (ZE260,EXPORT)

ASSEMBLY

CLICK HERE TO **DOWNLOAD** THE COMPLETE MANUAL

- Thank you very much for reading the preview of the manual.
- You can download the complete manual from: www.heydownloads.com by clicking the link below



- Please note: If there is no response to CLICKING the link, please download this PDF first and then click on it.

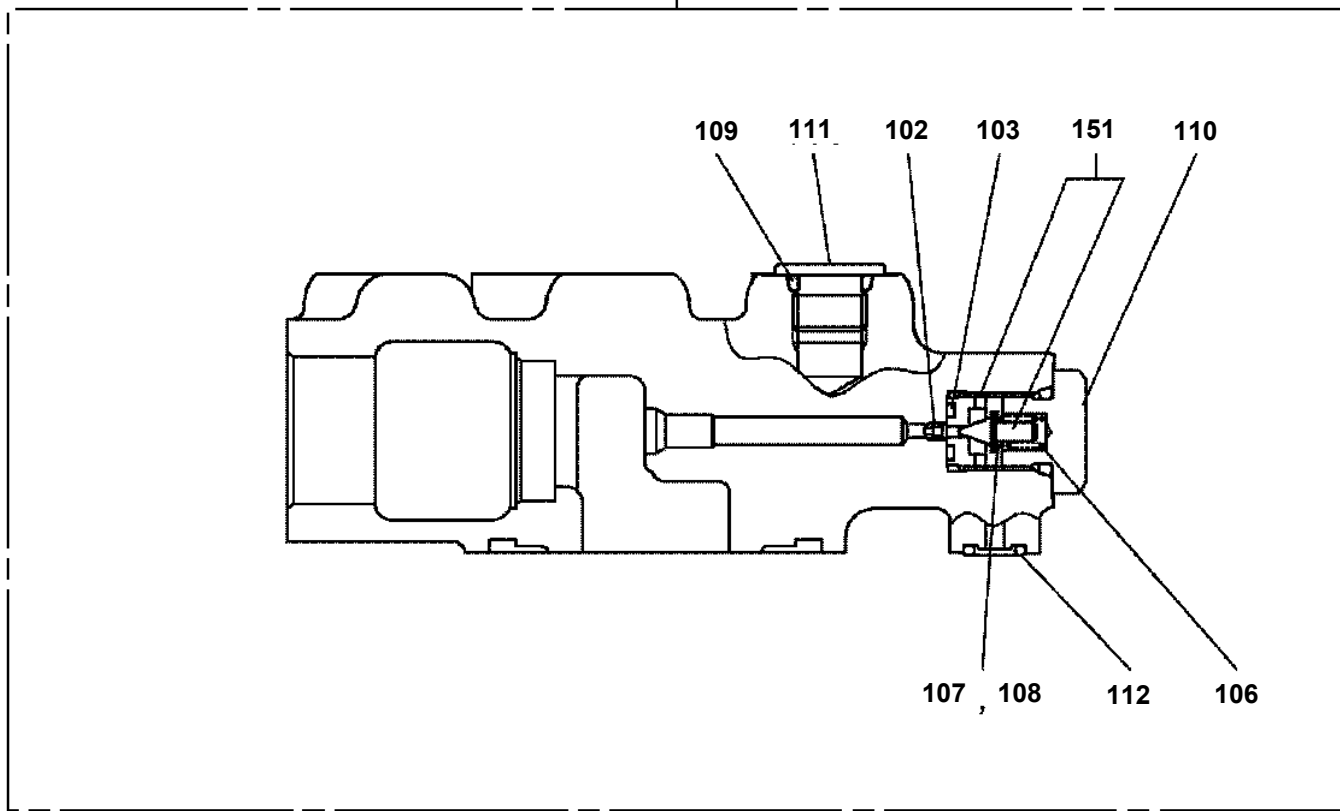
CLICK HERE TO **DOWNLOAD** THE COMPLETE MANUAL

TM-ZE260 41008404067A FRAME/HOOK-IN, MANUAL VALVE

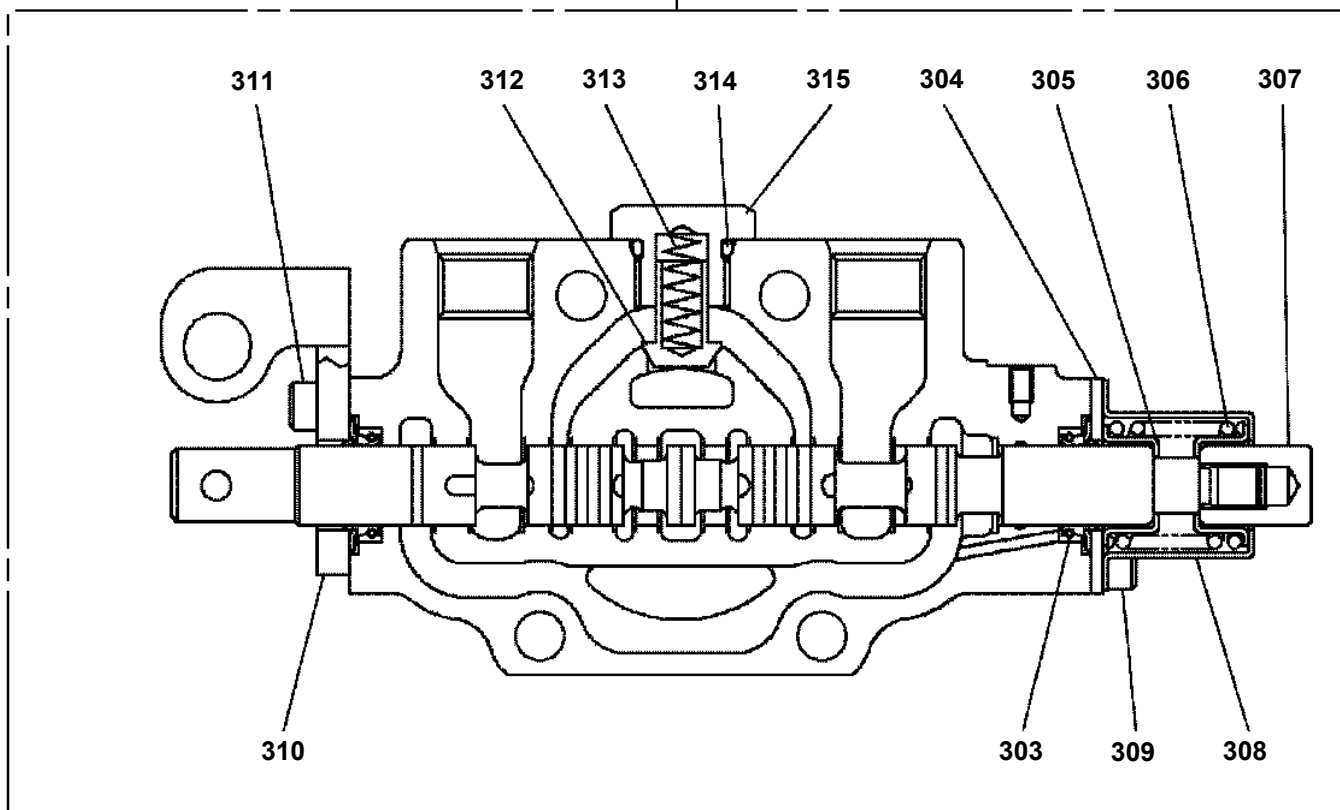
Pos No.	Parts No	Parts Name	Qty	Unit	Technical Data	Serial No (Start)	Serial No (End)
50	53063551150	BACKUP STRIP	2				
51	36650715040	GASKET	2				
52	36650715050	GASKET	2				
65	53063551010	SEAL,OIL	1				
100	36652290000	PUMP,HYDRAULIC (SGP2-44D2H9-L)	1				

TM-ZE260 41008404067A FRAME/HOOK-IN,MANUAL VALVE
PB1320635-00 VALVE,MANUAL CONTROL

4



8



TM-ZE260 41008404067A FRAME/HOOK-IN, MANUAL VALVE

Pos No.	Parts No	Parts Name	Qty	Unit	Technical Data	Serial No (Start)	Serial No (End)	Remarks	Pa
2	37002450100	HOSE	2		L=355 TO 380				
3	91002801400	O-RING	8		1B P14				
4	37000804110	JOINT	1						
5	91803880070	CLIP	2		D=13.1-16.2				
6	37002467590	HOSE	1		L=1250				
7	37002467580	HOSE	1		L=1170				
8	37002503420	HOSE	1		L=380				
9	80430620600	JOINT (WITH O-RING)	3		L,G3/8-G3/8				
10	37000920980	JOINT	2		PF3/8-PF3/8				
11	37002454090	HOSE	1		L=520				
	37002480130	HOSE	1		L=520				
12	37002480120	HOSE	1		L=490				
	37002454100	HOSE	1		L=480 TO 490				
13	31340310100	JOINT	1						
15	82100001412	TUBE, SPIRAL	N		SE-12BK				
24	80491303030	JOINT (WITH O-RING)	1		L,PF3/8-PF3/8				
31	91002801400	O-RING	4		1B P14				

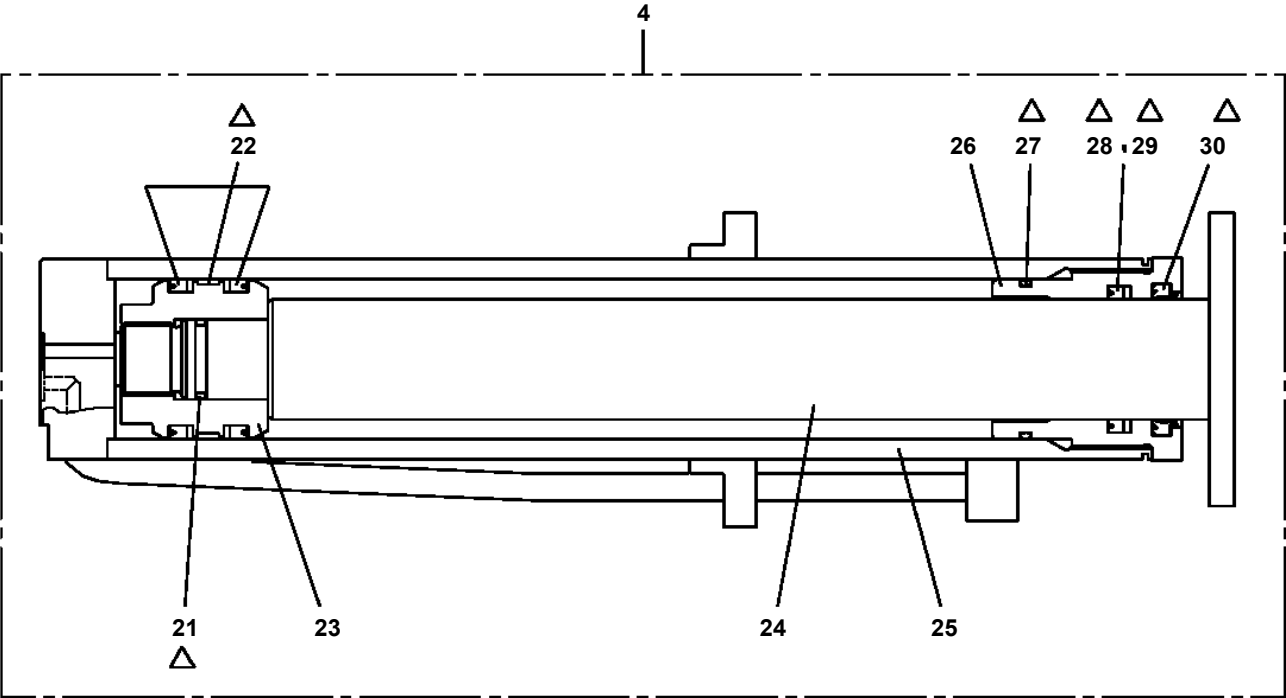
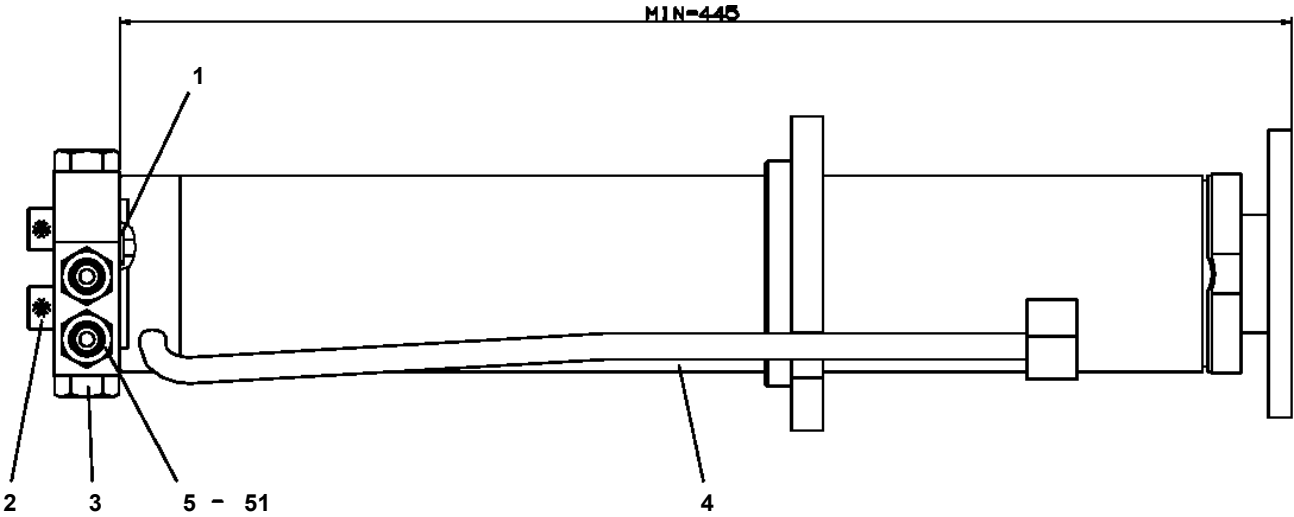
TM-ZE260 41008404067A FRAME/HOOK-IN, MANUAL VALVE

Pos No.	Parts No	Parts Name	Qty	Unit	Technical Data	Serial No (Start)	Serial No (End)
1	36652290000	PUMP, HYDRAULIC (SGP2-44D2H9-L)	1				
2	36652280000	PUMP, HYDRAULIC (SGP2-44D2H9-R)	1				

TM-ZE260 41008404067A FRAME/HOOK-IN, MANUAL VALVE

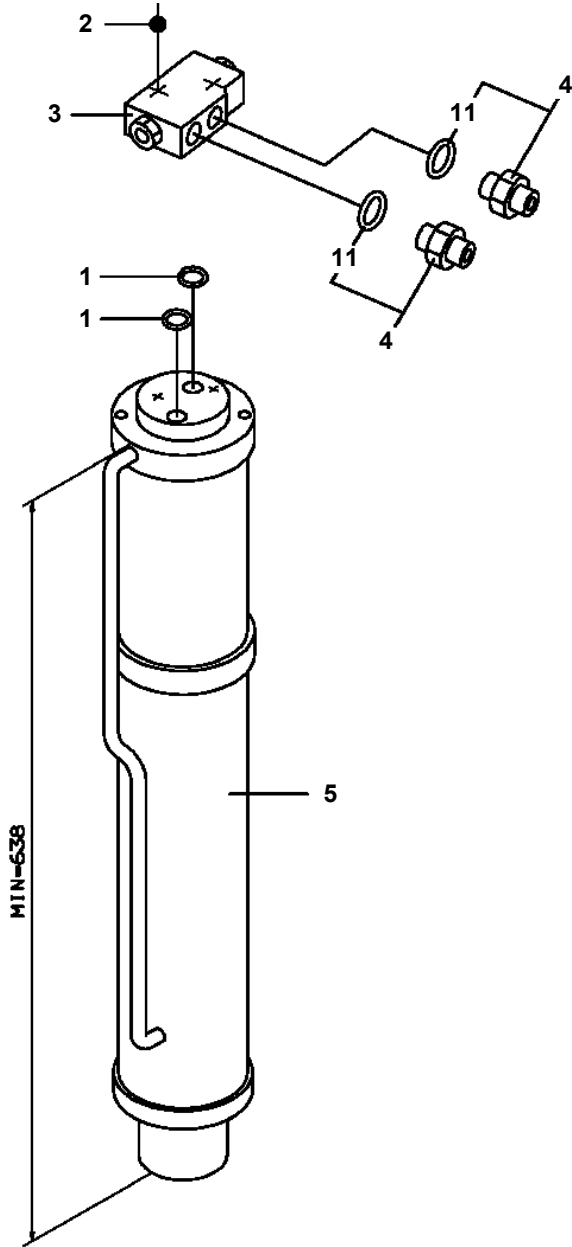
Pos No.	Parts No	Parts Name	Qty	Unit	Technical Data	Serial No (Start)	Serial No (E
1	31614002000	CASE,INNER	1				
2	(*****)	CYLINDER,JACK (MIN.647:WITH FLOAT)	1				
3	31613570500	COVER	1				
4	80189305008	SCREW,MACHINE	1		M5X8		
5	31620582020	BEARING,BALL (KOYO)	1				
6	37000310360	SPACER	1		L=15		
7	80601110150	RING,RITAINING	2		15		
8	37000150360	PIN	1				
9	(*****)	OPE.ASSY,OUTRIGGER	1				
11	90174110025	BOLT	2		M10X25		
12	37000572180	PLATE	2				
13	99183705012	BOLT,HEXAGON SOCKET	2		M5X12		
31	31621963200	SUPPORT	1				
34	31614009510	SUPPORT	1				
41	31611300500	PLATE,NAME (WHITE)	2				
42	31611300600	PLATE,NAME (YELLOW)	2				

**TM-ZE260 41008404067A FRAME/HOOK-IN,MANUAL VALVE
PC1030185-04 CYLINDER,JACK (REAR)**

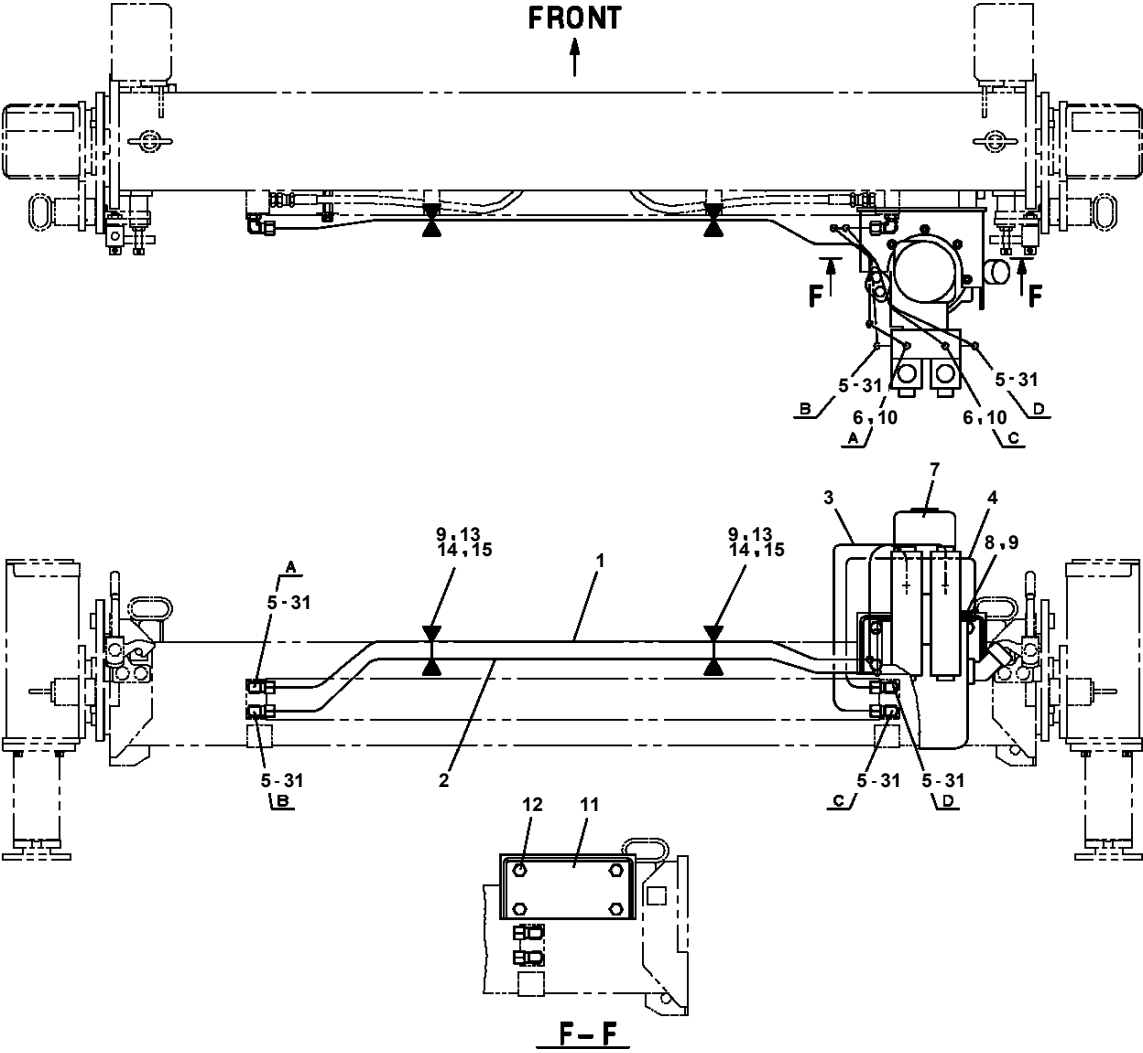


△:PACKING SET KEY NO.41 (KEY NO.21,22,27,28,29,30)

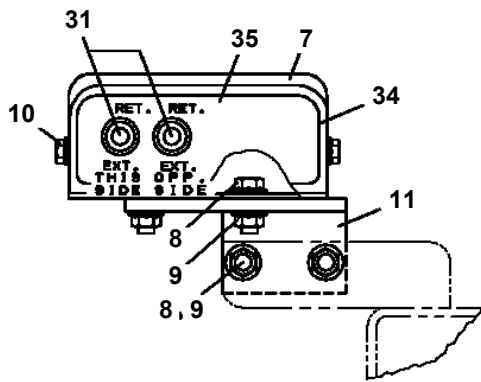
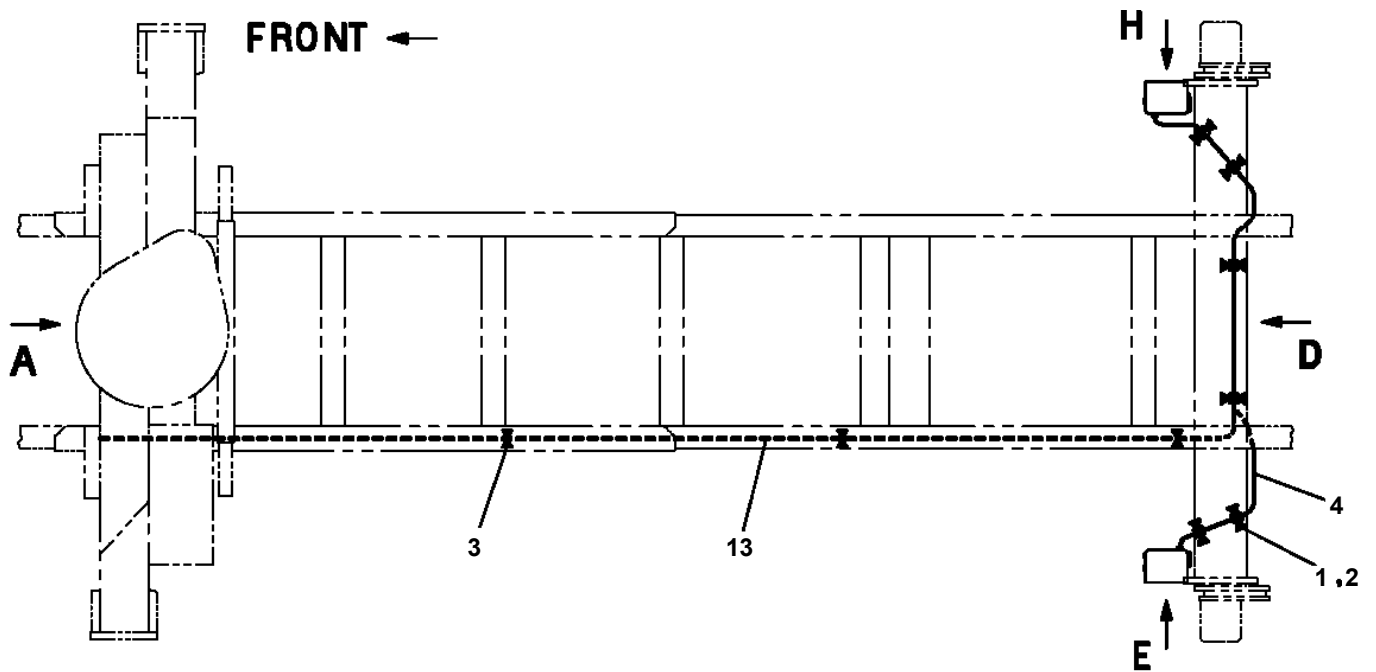
**TM-ZE260 41008404067A FRAME/HOOK-IN, MANUAL VALVE
PC1030469-01 CYLINDER, JACK (MIN.638:W/O FLOAT)**



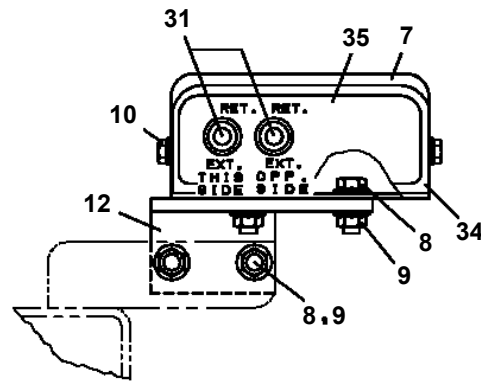
TM-ZE260 41008404067A FRAME/HOOK-IN,MANUAL VALVE
PC1230066-00 PIPING,REAR JACK



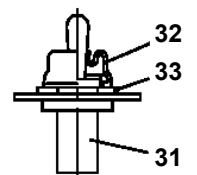
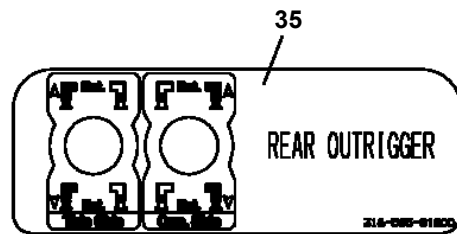
**TM-ZE260 41008404067A FRAME/HOOK-IN, MANUAL VALVE
PE5020053-01 ELEC.ASSY**



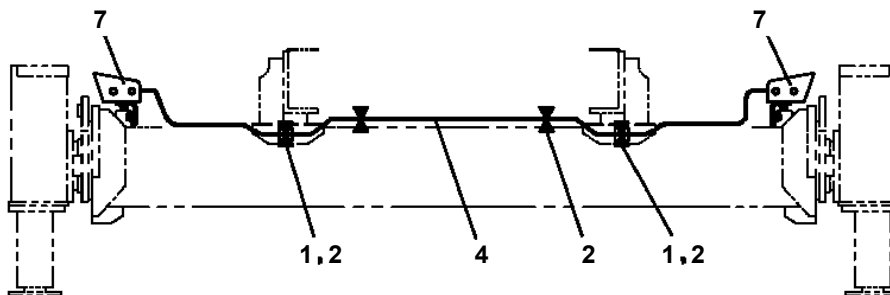
E
LEFT REAR OUTRIGGER



H
RIGHT REAR OUTRIGGER



TOGGLE SW



D

TM-ZE260 41008404067A FRAME/HOOK-IN,MANUAL VALVE

Pos No.	Parts No	Parts Name	Qty	Unit	Technical Data	Serial No (Start)	Serial No (End)	Remarks
1	31310237510	GEAR,SPUR	1					
2	31310005010	PIN	2					
3	31310647520	DRUM	1					
4	80516006306	BEARING,BALL	1					
5	80516006206	BEARING,BALL	1					
6	31310617520	BOLT,HEXAGON SOCKET	4		M10X25			
7	90302041001	WASHER,SPRING	4		10			
20	31310641000	DRUM,WINCH (HARTYS)	1					

CLICK HERE TO **DOWNLOAD** THE COMPLETE MANUAL

- Thank you very much for reading the preview of the manual.
- You can download the complete manual from: www.heydownloads.com by clicking the link below



- Please note: If there is no response to CLICKING the link, please download this PDF first and then click on it.

CLICK HERE TO **DOWNLOAD** THE COMPLETE MANUAL

TM-ZE260 41008404067A FRAME/HOOK-IN, MANUAL VALVE

Pos No.	Parts No	Parts Name	Qty	Unit	Technical Data	Serial No (Start)	Serial No (End)	Remarks	Pages
1	31656320100	HARNESS	1		L=550				

TM-ZE260 41008404067A FRAME/HOOK-IN, MANUAL VALVE

Pos No.	Parts No	Parts Name	Qty	Unit	Technical Data	Serial No (Start)	Serial No (End)	Remarks	Pages
1	31361312100	HARNESS	1						

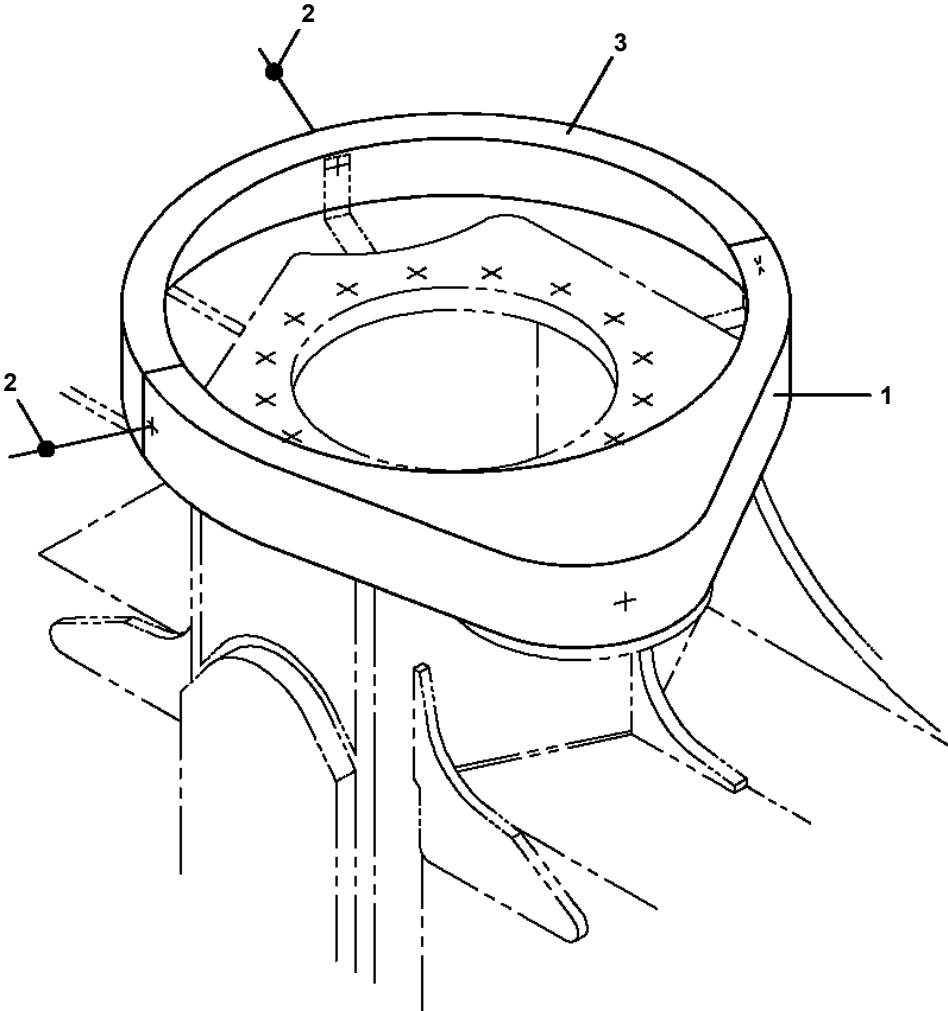
TM-ZE260 41008404067A FRAME/HOOK-IN,MANUAL VALVE

Pos No.	Parts No	Parts Name	Qty	Unit	Technical Data	Serial No (Start)	Serial No (End)	Remarks
4	36671025020	GASKET	1					
10	36672590000	FILTER,OIL (CARTRIDGE)	1					

TM-ZE260 41008404067A FRAME/HOOK-IN, MANUAL VALVE

Pos No.	Parts No	Parts Name	Qty	Unit	Technical Data	Serial No (Start)	Serial No (End)	Remarks	Pa
1	31631121100	BODY	1						
2	31631781201	CORE	1						
3	91531208000	PACKING	2						
4	91100308000	RING,SEAL	7						
5	31631803000	RING ASSY,SLIP	1						000
6	90180208016	BOLT,BUTTON	2		M8X16				
7	90302040801	WASHER,SPRING	6		8				
8	90102208035	BOLT	4		M8X35				
9	90303070801	WASHER,PLAIN	6		8				
10	90302041001	WASHER,SPRING	4		10				
11	82114203020	CONNECTOR (CAP)	1						
12	82121502020	PLATE	1						
13	82114203030	CONNECTOR (CAP)	1						
14	82121502030	PLATE	1						
15	31631871100	SUPPORT	1						
16	90171110016	BOLT	4		M10X16				
17	82100002855	CAP	2						
50	31631971001	JOINT ASSY,SWIVEL	1						

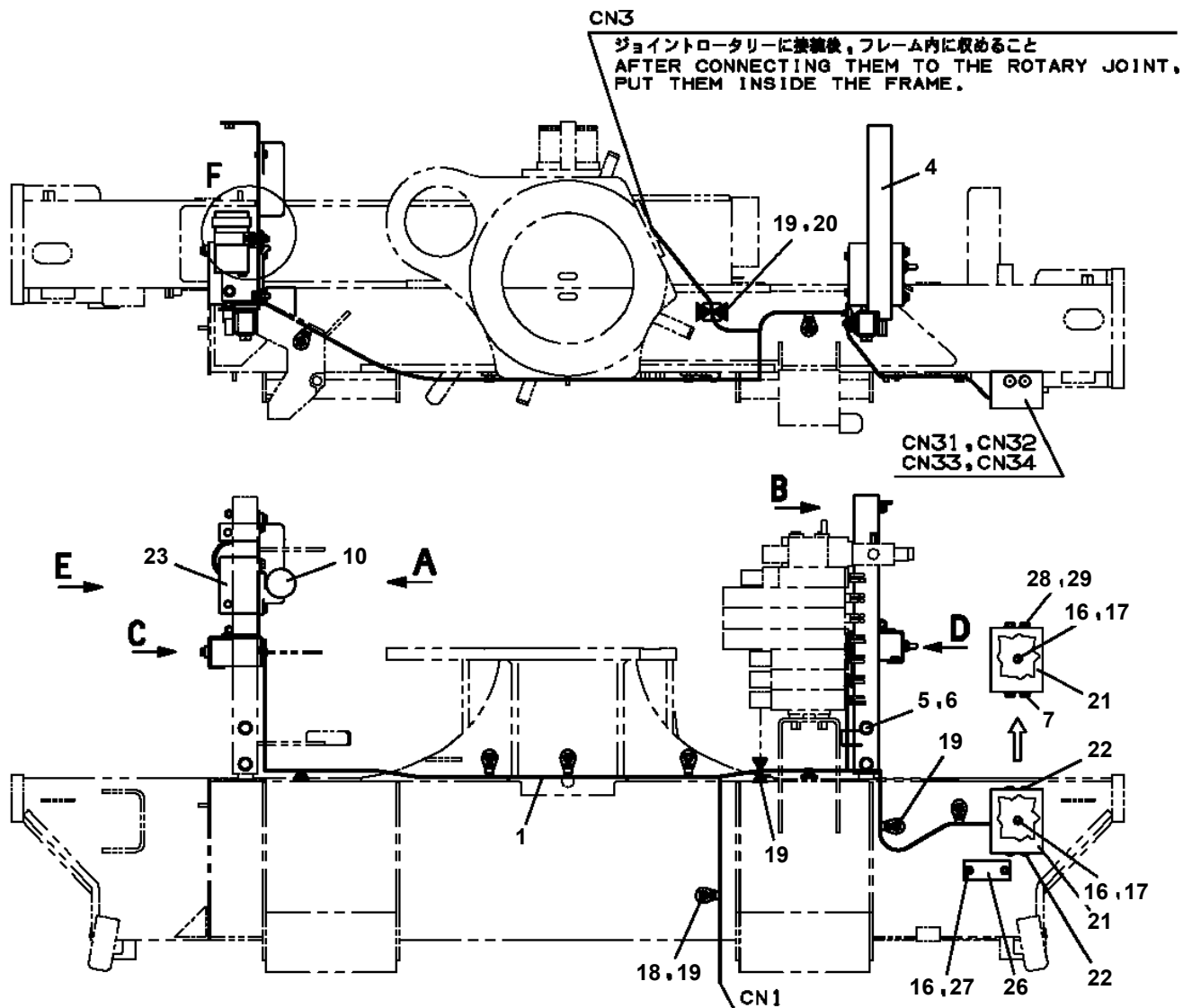
TM-ZE260 41008404067A FRAME/HOOK-IN, MANUAL VALVE
PK1330438-00 COVER (SWING)



TM-ZE260 41008404067A FRAME/HOOK-IN,MANUAL VALVE

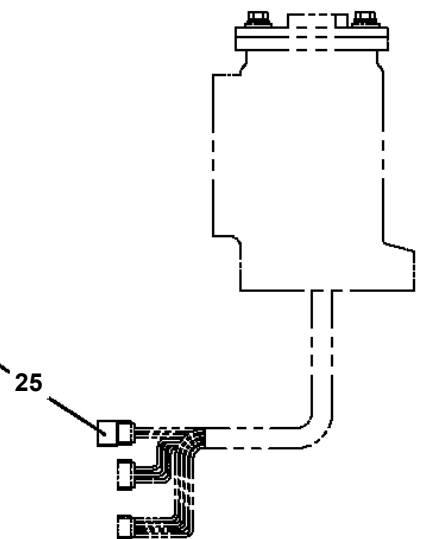
Pos No.	Parts No	Parts Name	Qty	Unit	Technical Data	Serial No (Start)	Serial No (End)	Remark
2	90303071001	WASHER,PLAIN	4		10			
3	90171110018	BOLT	4		M10X18			
4	31325074100	ROD ASSY	4					
5	31325074300	ROD ASSY	1					
6	31325074500	ROD ASSY	1					
7	31325074700	ROD	2					
8	31324983101	LEVER	1					
9	31325073200	LEVER	1					
10	31325073300	LEVER	1					
11	31325073400	LEVER	1					
12	31325073500	LEVER	1					
13	31324983600	LEVER	1					
14	31324983700	LEVER	1					
15	31324983800	LEVER	1					
16	31324860701	KNOB (RED)	1					
17	31324860801	KNOB (BLACK)	7					
18	37010100110	PIN	1					
19	80136840020	PIN,SPLIT	1		4X20			
20	37000105040	PIN	16					
21	80650100030	RING,RETAINING	23					
22	37000105050	PIN	7					
23	31322050600	BOLT	1					
24	80136850025	PIN,SPLIT	1		5X25			
25	90303071201	WASHER,PLAIN	2		12			
26	90309331205	WASHER,CONICAL SPRING	2		L12			
27	90203201200	NUT	2		M12			
28	12434402040	SPRING	1					
29	80172305008	SCREW,MACHINE	2		M5X8			
30	37000311190	SPACER	1		L=16			
31	31325074800	SUPPORT	1					
32	90186210014	BOLT,FLANGE	1		M10X14			
33	37001300530	SPRING	1					
34	31322224200	PLATE	8		L=1			
37	90302041001	WASHER,SPRING	4		10			
51	31325071100	SUPPORT	1					
52	31322031150	SUPPORT	1					
53	90186208010	BOLT,FLANGE	2		M8X10			
54	31325071200	LINK	1					
55	80136840020	PIN,SPLIT	4		4X20			
56	90303071201	WASHER,PLAIN	2		12			
57	31325071500	SUPPORT	1					
58	80824001206	BEARING,PLAIN	2					
59	31325072100	LEVER	1					
60	31325072200	LEVER	1					
61	31325072300	LEVER	1					
62	31325072400	LEVER	1					
63	31325072500	LEVER	1					
64	31325072600	LEVER	1					
65	31325072700	LEVER	1					
66	31324982800	LEVER	1					
67	31324860701	KNOB (RED)	1					
68	31324860801	KNOB (BLACK)	7					
69	37010100080	PIN	2					
70	37000311490	SPACER	1		L=20			
71	37000311600	SPACER	2		L=50			
72	31322224200	PLATE	15		L=1			
73	37000517380	PLATE	1		T=2.3 TO 3.2			
74	90201200800	NUT	1		M8			
75	90102208035	BOLT	1		M8X35			
77	37000313030	SPACER	1		L=7			
91	31325074200	ROD	4					
92	90203501000	NUT	6		M10			
93	31324984900	END	6					

**TM-ZE260 41008404067A FRAME/HOOK-IN,MANUAL VALVE
PN1014889-03 ELEC.ASSY (SWITCH)**



ZE290STD

フレーム内に収める
 PUT THEM INSIDE THE FRAME.



JOINT, ROTARY

TM-ZE260 41008404067A FRAME/HOOK-IN, MANUAL VALVE

Pos No.	Parts No	Parts Name	Qty	Unit	Technical Data	Serial No (Start)	Serial No (End)
1	82105501003	SWITCH,TOGGLE	2				
10	31653322200	SWITCH ASSY (WITH HARNESS,2-SW)	1				

TM-ZE260 41008404067A FRAME/HOOK-IN,MANUAL VALVE

Pos No.	Parts No	Parts Name	Qty	Unit	Technical Data	Serial No (Start)	Serial No (End)	Remarks	Pa
1	37002205300	PLATE,NAME (LEVEL)	1						

TM-ZE260 41008404067A FRAME/HOOK-IN,MANUAL VALVE

Pos No.	Parts No	Parts Name	Qty	Unit	Technical Data	Serial No (Start)	Serial No (End)
1	31499903100	PLATE,NAME (LOAD INDICATOR)	1				
2	31499903200	PLATE,NAME (LOAD INDICATOR)	1				
3	31499753300	PLATE,NAME(EMPTY CHASSIS RETED LIFTING)	2				

TM-ZE260 41008404067A FRAME/HOOK-IN,MANUAL VALVE

Pos No.	Parts No	Parts Name	Qty	Unit	Technical Data	Serial No (Start)	Serial No (End)
1	31499934100	PLATE,NAME (LOAD INDICATOR)	1				
2	31499934200	PLATE,NAME (LOAD INDICATOR)	1				
3	31499784300	PLATE,NAME(EMPTY CHASSIS RATED LIFTING)	2				

TM-ZE260 41008404067A FRAME/HOOK-IN,MANUAL VALVE

Pos No.	Parts No	Parts Name	Qty	Unit	Technical Data	Serial No (Start)	Serial No (End)	Remarks	P
1	37001804800	ROPE,WIRE (KISWIRE)	1						

CLICK HERE TO **DOWNLOAD** THE COMPLETE MANUAL

- Thank you very much for reading the preview of the manual.
- You can download the complete manual from: www.heydownloads.com by clicking the link below



- Please note: If there is no response to CLICKING the link, please download this PDF first and then click on it.

CLICK HERE TO **DOWNLOAD** THE COMPLETE MANUAL