

**TM-ZE260 41047502016A BOOM/6 SECT.,HOOK-IN**

**PB0000141-01 SYSTEM (ZE290,DOMESTIC)**

**PB0000150-01 SYSTEM (ZE260,DOMESTIC)**

**ASSEMBLY**

CLICK HERE TO **DOWNLOAD** THE COMPLETE MANUAL

- Thank you very much for reading the preview of the manual.
- You can download the complete manual from: [www.heydownloads.com](http://www.heydownloads.com) by clicking the link below



- Please note: If there is no response to CLICKING the link, please download this PDF first and then click on it.

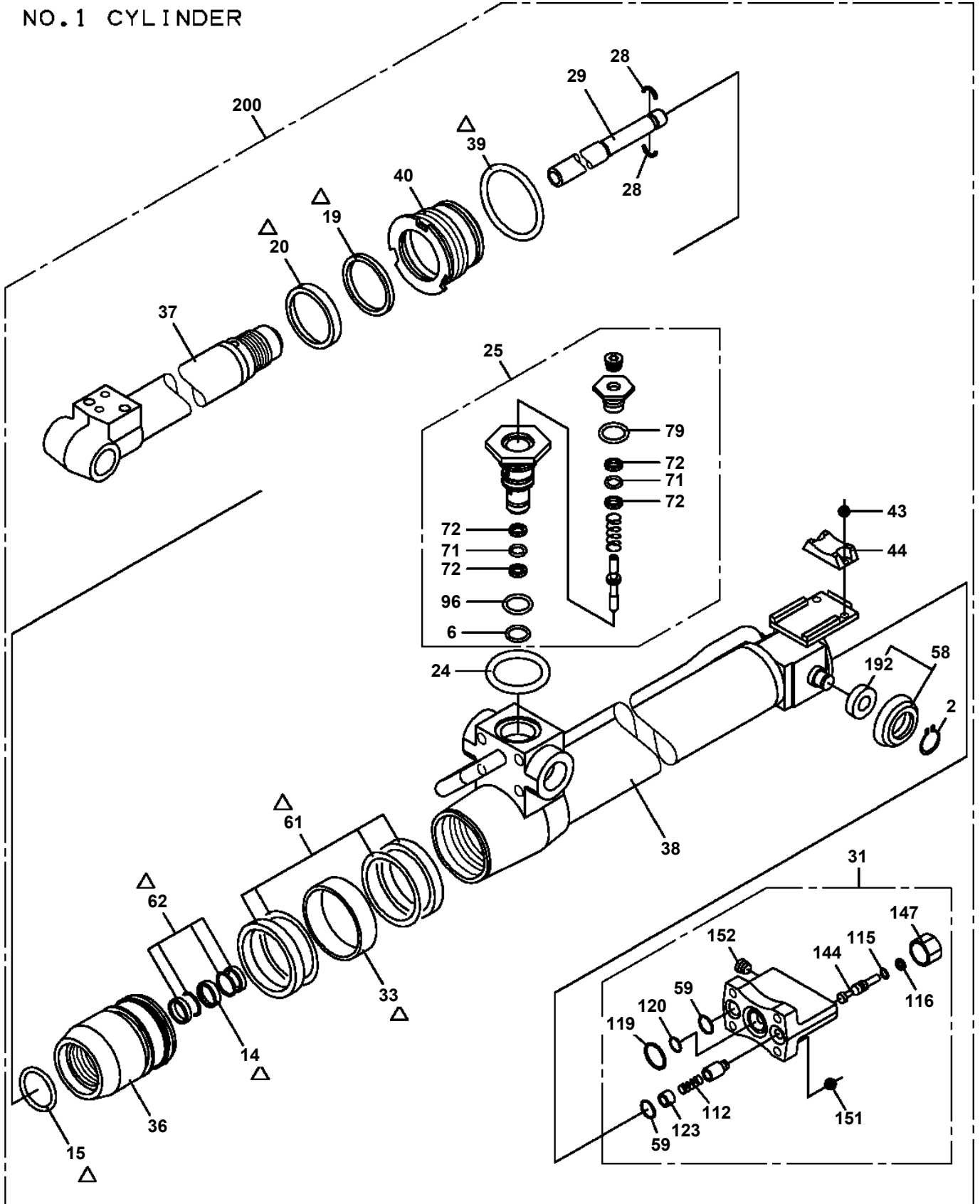
CLICK HERE TO **DOWNLOAD** THE COMPLETE MANUAL

# TM-ZE260 41047502016A BOOM/6 SECT.,HOOK-IN

Pos No.	Parts No	Parts Name	Qty	Unit	Technical Data	Serial No (Start)	Serial No (End)
1	37001100390	ROLLER ASSY	2				
2	80601110150	RING,RITAINING	8		15		
3	36016160500	SUPPORT	1				
4	36016030300	PLUNGER	1				
5	91411001600	RING,BACKUP	1		P16		
6	91002801600	O-RING	3		1B P16		
7	80640100160	RING,RITAINING	1		IRTW-16		
8	36016030350	SEAL	1				
9	91350205500	BEARING,PLAIN (WITH PACKINGX2)	2				
10	91002802500	O-RING	1		1B P25		
11	36016060600	PISTON	1				
12	36016161000	CYLINDER	1				
13	36016162000	ROD (NO.3)	1				
14	37000402120	BEARING,PLAIN (WITH PACKINGX2)	2				
15	91002803200	O-RING	2		1B P32		
16	36013922500	PISTON	1				
17	36010544001	COVER,ROD	2				
18	91002905000	O-RING	2		1B G50		
19	91694004000	PACKING	3				
20	91660004001	SEAL,DUST	3				
21	80316030020	PLUG	5		PT1/8		
22	36011671000	VALVE,CHECK	1				
23	91001103500	O-RING	1		1A P35		
24	91001103800	O-RING	1		1A P38		
25	36011672000	VALVE ASSY,CHECK	1				
26	37001106490	ROLLER ASSY	4				
27	36623280000	VALVE,CHECK	1				
28	36010060340	STOPPER	4				
29	36014560100	PIPE	2		L=2175		
30	36016163000	CYLINDER (NO.2)	1				
31	36624620000	VALVE,CHECK	1			DE3538	DE3537
	36625270000	VALVE,CHECK	1				
32	36014602500	ROD (NO.2)	1				
33	91350206000	BEARING,PLAIN (WITH PACKINGX2)	1				
36	36014564000	PISTON	1				
37	36016143000	ROD (NO.1)	1				
38	36016164000	CYLINDER (NO.1)	1				
39	91002905500	O-RING	1		1B G55		
40	36014565000	COVER,ROD	1				
41	80171304012	SCREW,MACHINE	2		M4X12		
42	37002008830	PLATE,SLIDE	1				
43	90180206010	BOLT,BUTTON	2		M6X10		
44	37002010600	PLATE,SLIDE	1				
45	80175304008	SCREW,MACHINE	4		M4X8		
46	37002006310	PLATE,SLIDE	2				
47	91001101000	O-RING	2		1A P10		
48	90172110065	BOLT,HEXAGON SOCKET	3		M10X65		
49	90141810065	BOLT,STUD	1		M10X65		
50	90201781000	NUT	1		M10		
51	90302041001	WASHER,SPRING	1		10		
52	90172112065	BOLT,HEXAGON SOCKET	3		M12X65		
53	90201781200	NUT	1		M12		
54	90141812070	BOLT,STUD	1		M12X70		
55	90302041201	WASHER,SPRING	1		12		
56	90172108020	BOLT,HEXAGON SOCKET	4		M8X20		
57	90302040801	WASHER,SPRING	4		8		
58	37001103490	ROLLER ASSY	2				
59	91001101400	O-RING	4		1A P14		
71	91001100900	O-RING	4		1A P9		
72	91411000900	RING,BACKUP	8				
76	91002802100	O-RING	1		1B P21		
79	91001102500	O-RING	2		1A P25		
96	91002802201	O-RING	1		1B P22A		

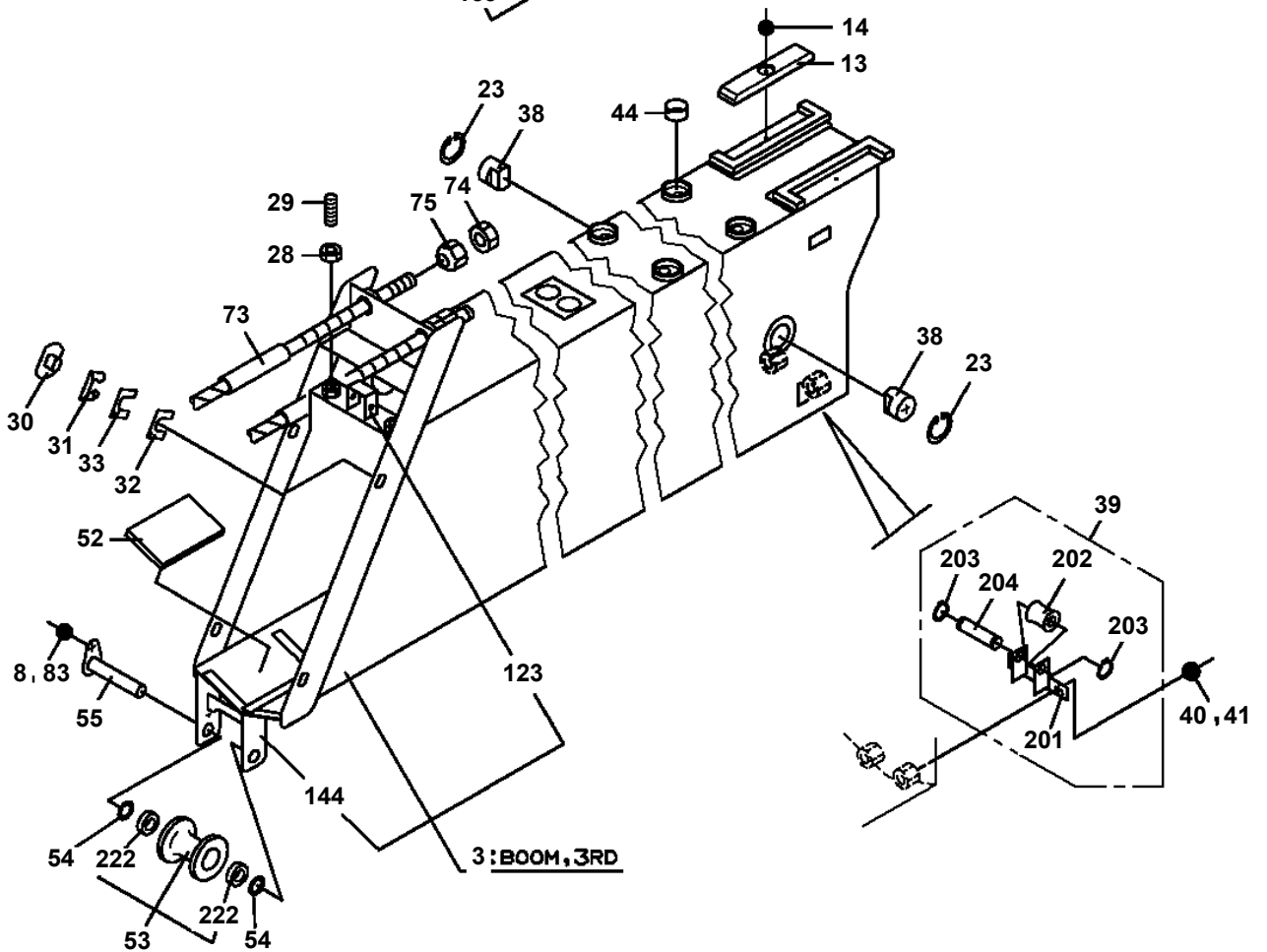
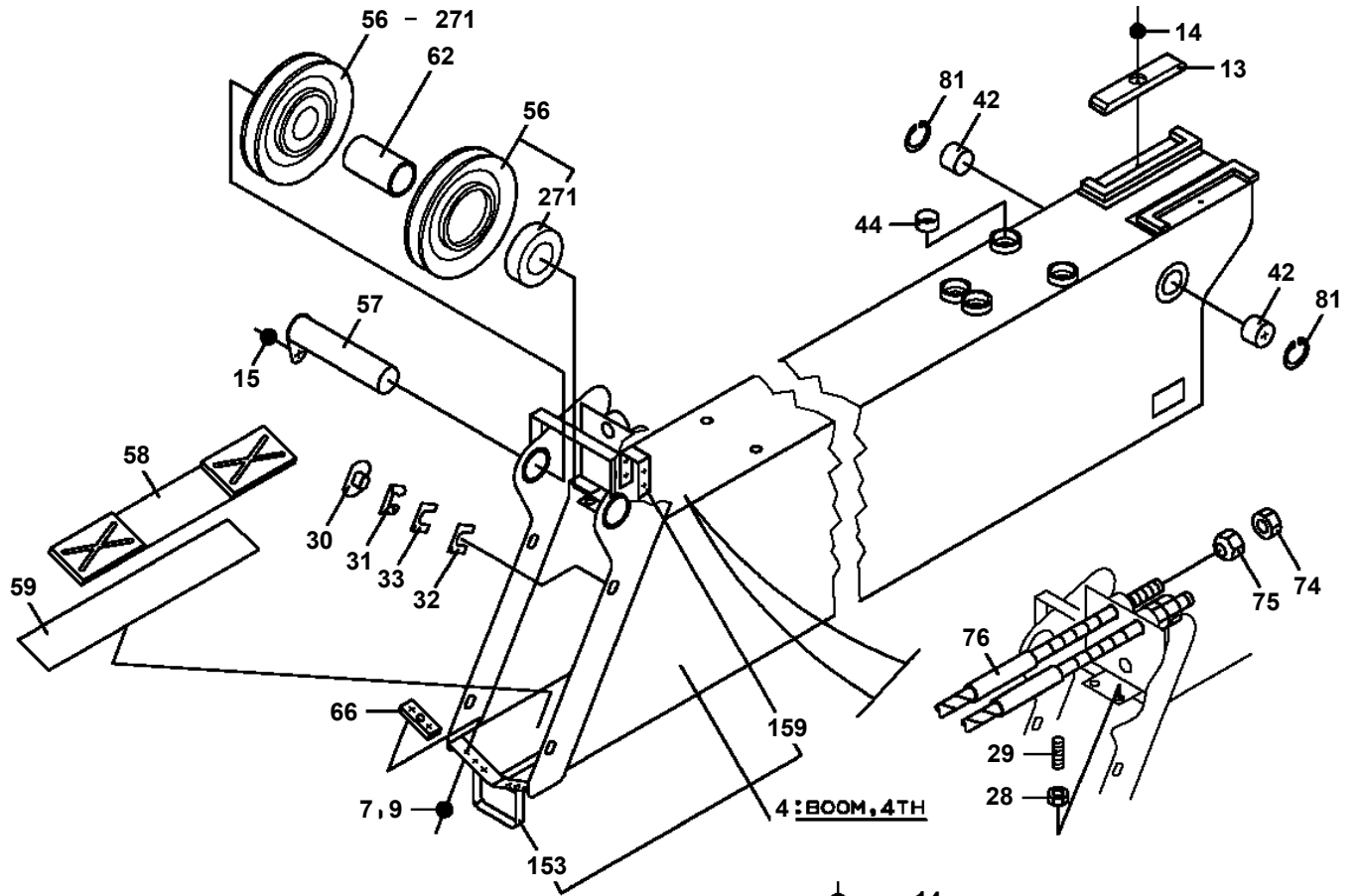
**TM-ZE260 41047502016A BOOM/6 SECT.,HOOK-IN  
PC6470049-02 CYLINDER ASSY,TELESCOPING**

**NO.1 CYLINDER**

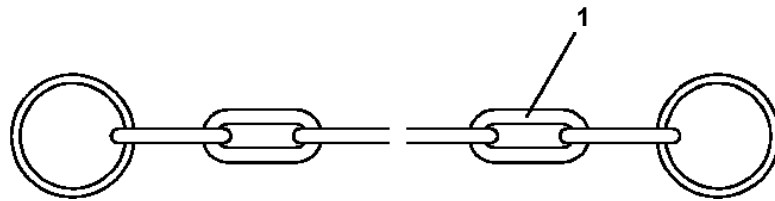


△.:PACKING SET KEY NO.160 (KEY NO.14,15,19,20,33,39,61,62)

TM-ZE260 41047502016A BOOM/6 SECT.,HOOK-IN  
PG1011034-03 BOOM



**TM-ZE260 41047502016A BOOM/6 SECT.,HOOK-IN  
PH1060326-00 DETECTOR,OVER WIND (CHAIN,FOR WEIGHT)**



# TM-ZE260 41047502016A BOOM/6 SECT.,HOOK-IN

Pos No.	Parts No	Parts Name	Qty	Unit	Technical Data	Serial No (Start)	Serial No (End)	Remarks	Page
1	31205436200	SPACER (WELDED)	1						
2	31201565200	PIN	1						
3	31202515700	LINK	1						
10	31205436100	LINK ASSY	1						

# TM-ZE260 41047502016A BOOM/6 SECT.,HOOK-IN

Pos No.	Parts No	Parts Name	Qty	Unit	Technical Data	Serial No (Start)	Se
1	37002206490	PLATE,NAME (GREASE)	2				
2	31392140130	INDICATOR	2				
3	90190000060	BOLT	2		M10X16		
4	37002233520	PLATE,NAME (CARGO CRANE ZEST SILENT ECO)	2				
5	37002226670	PLATE,NAME (TADANO)	2				
6	37002212770	PLATE,NAME (DC24V,0.1A)	1				
102	(*****)	NAME PLATE ASSY (STAMP,BOOM MARKING)	1				

CLICK HERE TO **DOWNLOAD** THE COMPLETE MANUAL

- Thank you very much for reading the preview of the manual.
- You can download the complete manual from: [www.heydownloads.com](http://www.heydownloads.com) by clicking the link below



- Please note: If there is no response to CLICKING the link, please download this PDF first and then click on it.

CLICK HERE TO **DOWNLOAD** THE COMPLETE MANUAL