

**TM-ZE260 41008505456A BOOM/6 SECT.,HOOK-IN,SAFETY EYES**

**PB0000220-01 SYSTEM (ZE260,RUSSIA)**

**ASSEMBLY**

CLICK HERE TO **DOWNLOAD** THE COMPLETE MANUAL

- Thank you very much for reading the preview of the manual.
- You can download the complete manual from: [www.heydownloads.com](http://www.heydownloads.com) by clicking the link below

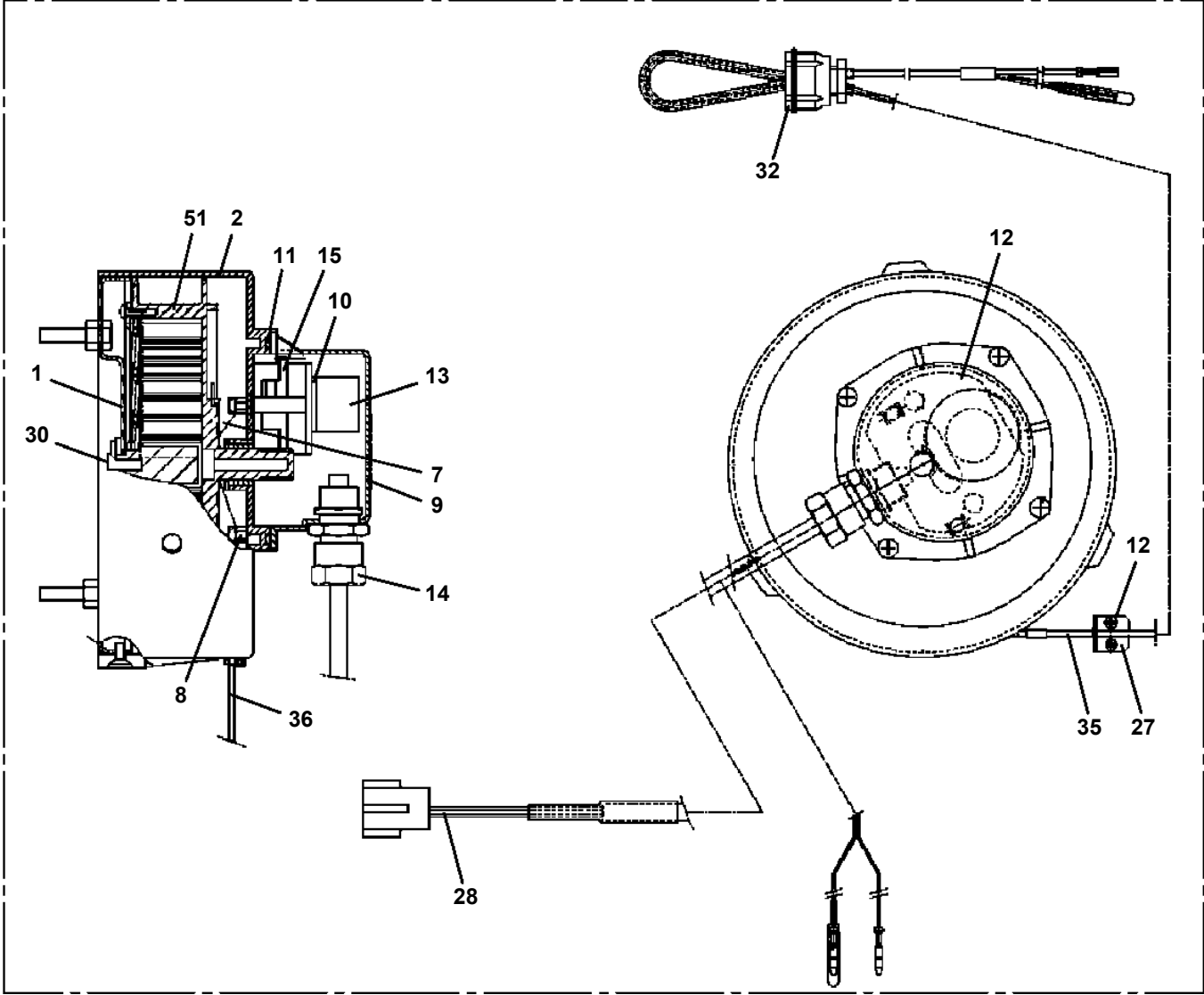


- Please note: If there is no response to CLICKING the link, please download this PDF first and then click on it.

CLICK HERE TO **DOWNLOAD** THE COMPLETE MANUAL

TM-ZE260 41008505456A BOOM/6 SECT.,HOOK-IN,SAFETY EYES  
PD5080070-00 DETECTOR ASSY,LENGTH (BOOM)

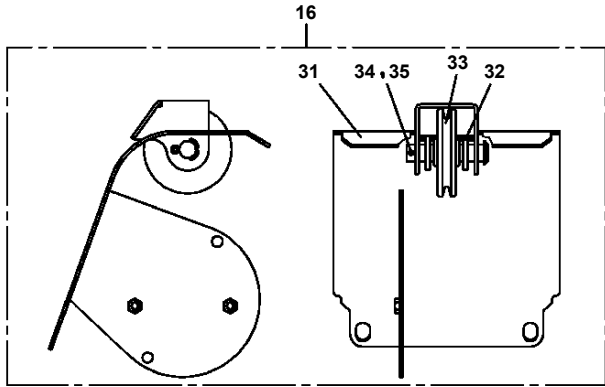
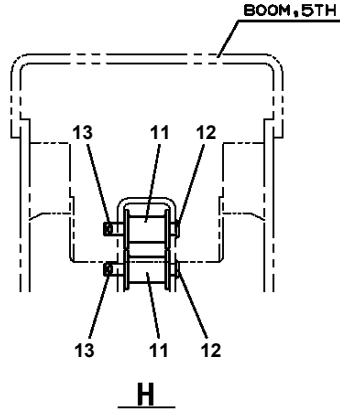
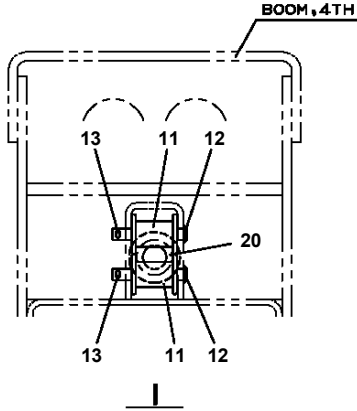
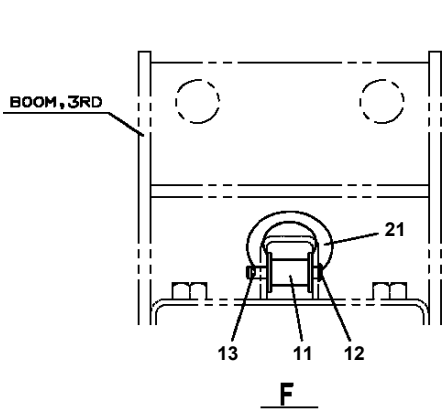
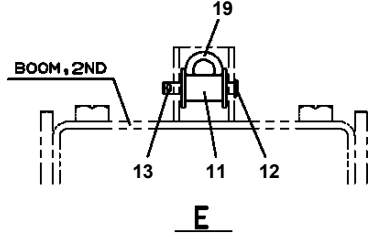
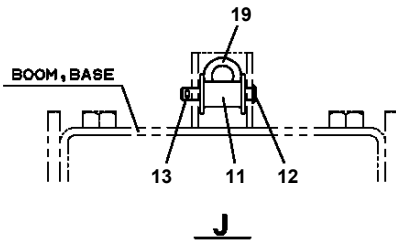
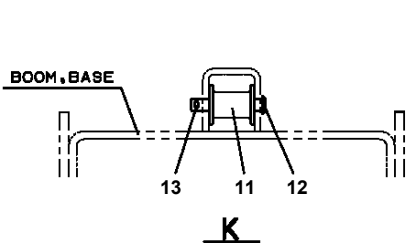
100



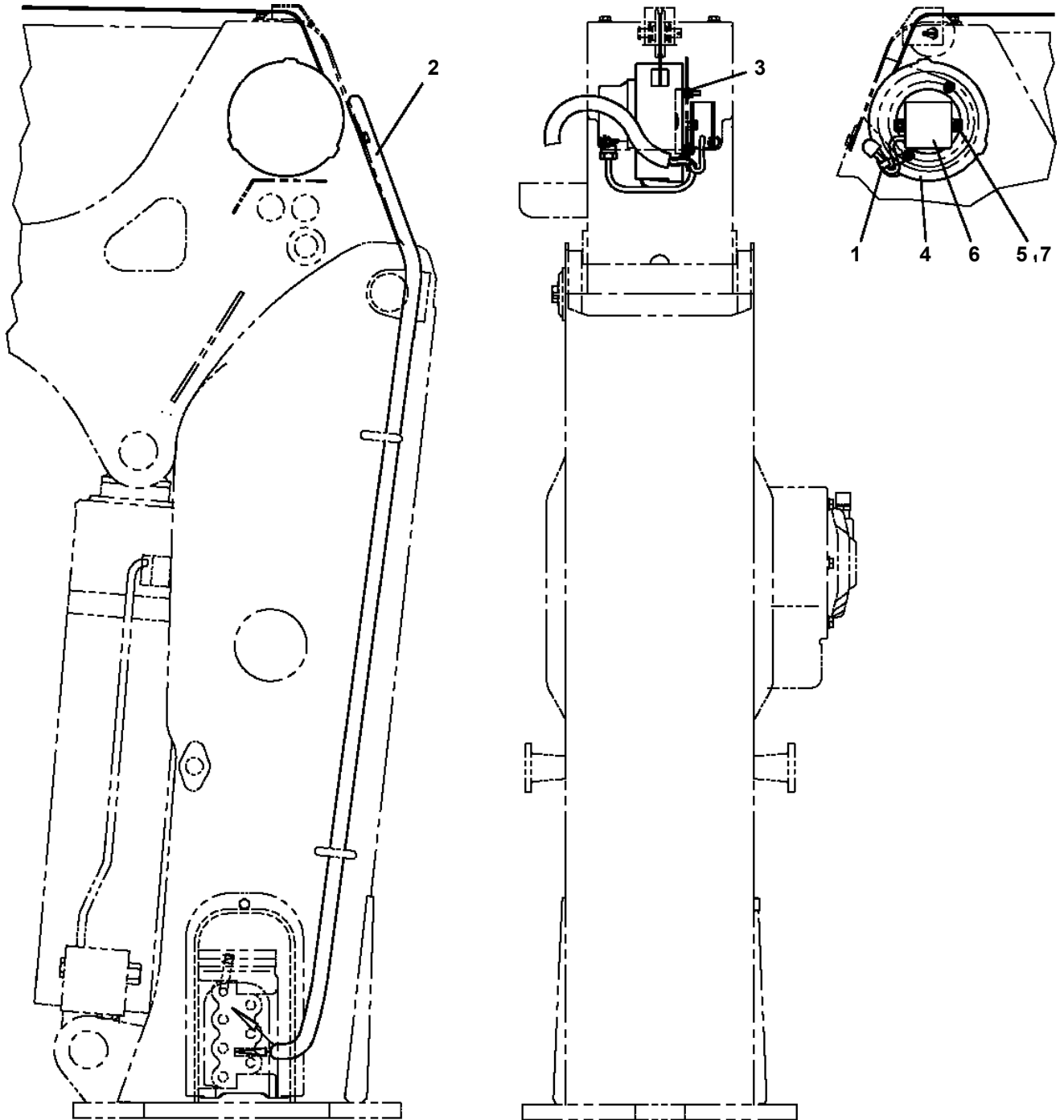
# TM-ZE260 41008505456A BOOM/6 SECT.,HOOK-IN,SAFETY EYES

Pos No.	Parts No	Parts Name	Qty	Unit	Technical Data	Serial No (Start)	Serial No (End)	Rem
63	37001009560	SHEAVE ASSY	2					
64	37000150110	PIN	1					
65	37002007370	PLATE,SLIDE	2					
66	31200746700	RETAINER	4					
67	31201000460	SHIM	2					
68	37001107720	ROLLER ASSY	1					
69	37000301570	SPACER	1					
70	37000308850	SPACER	2		L=8.5			
71	37000160580	PIN	1					
72	37002213970	PLATE,NAME (MARKING)	1					
73	37001912660	ROPE,WIRE (KOKOKU)	1					
	37001922370	ROPE,WIRE (KISWIRE)	1		8X4.99M			
	37001912650	ROPE,WIRE (TESAC)	1					
74	90201201200	NUT	4		M12			
75	37001601600	NUT	4					
76	37001922360	ROPE,WIRE (KISWIRE)	1		7X5.25M			
	37001917860	ROPE,WIRE (TESAC)	1		7X5.25M			
	37001917870	ROPE,WIRE (KOKOKU)	1		7X5.25M			
77	90187706010	BOLT,HEXAGON SOCKET	2		M6X10			
78	37001915940	ROPE,WIRE (TESAC)	1		6			
	37001922380	ROPE,WIRE (KISWIRE)	1		6X9.77M			
79	37001922400	ROPE,WIRE (KISWIRE)	1		6X9.495M			
	37001915900	ROPE,WIRE (TESAC)	1		6X9.495M			
80	31201620300	SUPPORT	2					
81	80602110250	RING,RITAINING	2		R25			
83	90303070801	WASHER,PLAIN	2		8			
100	82400000459	CAP	1					
117	31202638010	SUPPORT ASSY	1					
119	31201571100	SUPPORT	2					
121	37000588660	PLATE	8					
122	31205341210	SUPPORT	2					
123	31201153230	SUPPORT	2					
129	31202632110	SUPPORT	1					
144	31202678020	SUPPORT ASSY	1					
153	31205454060	SUPPORT	1					
159	31201165210	SUPPORT	2					
167	31205455150	SUPPORT	1					
178	31205324300	SUPPORT	1					
192	31205310110	BEARING,BALL (IP)	2					
	80530000222	BEARING,BALL (NACHI)	2					
	80530000224	BEARING,BALL (KOYO SEIKO)	2					
201	31202550310	SUPPORT	1					
202	37001101900	ROLLER	1					
203	80601110120	RING,RITAINING	2		S12			
204	37000173800	PIN	1					
212	80530000227	BEARING,BALL	2					
222	80516006002	BEARING,BALL	2					
242	36093861100	BEARING,BALL	2					
252	80516006902	BEARING,BALL	2					
	31205310210	BEARING,BALL (IP)	2					
271	80516006307	BEARING,BALL	2					

**TM-ZE260 41008505456A BOOM/6 SECT.,HOOK-IN,SAFETY EYES  
PH1060508-01 DETECTOR,OVERWIND**



TM-ZE260 41008505456A BOOM/6 SECT.,HOOK-IN,SAFETY EYES  
PN1014572-00 ELEC.ASSY (BOOM/DETECTOR ASSY)



CLICK HERE TO **DOWNLOAD** THE COMPLETE MANUAL

- Thank you very much for reading the preview of the manual.
- You can download the complete manual from: [www.heydownloads.com](http://www.heydownloads.com) by clicking the link below



- Please note: If there is no response to CLICKING the link, please download this PDF first and then click on it.

CLICK HERE TO **DOWNLOAD** THE COMPLETE MANUAL