

TM-ZE260 41008501215A FRAME/HOOK-IN

PB0000293-02 SYSTEM (ZE260SL,DOMESTIC)

ASSEMBLY

CLICK HERE TO **DOWNLOAD** THE COMPLETE MANUAL

- Thank you very much for reading the preview of the manual.
- You can download the complete manual from: www.heydownloads.com by clicking the link below



- Please note: If there is no response to CLICKING the link, please download this PDF first and then click on it.

CLICK HERE TO **DOWNLOAD** THE COMPLETE MANUAL

**TM-ZE260 41008501215A FRAME/HOOK-IN
PB1020001-01 POWER TAKE OFF ASSY (SELECTION)**

- POWER TAKE OFF ASSY
- PTO ASSYの選定

指示番号 key No	VEHICLE MAKER 車両 メーカー	指示番号 key No	VEHICLE MAKER 車両 メーカー
1	mitsubishi ミツビシ	5	ISUZU イスズ
2	HINO ヒノ	6	NISSAN ニッサン
3	TOYOTA トヨタ	7	MAZDA マツダ
4	DAIHATSU ダイハツ		

[NOTE]

- (1) SOME TYPES OF THE VEHICLE ARE EQUIPPED WITH THE MANUFACTURER'S GENUINE POWER TAKE OFF.
- (2) POWER TAKE OFF FOR EXPORT IS SUPPLIED FROM THE VEHICLE MANUFACTURE.

[注 意]

- (1) PTO ASSYは車種によってメーカー純正品があります。
- (2) 海外向けのPTO ASSYは、車両メーカー品です。

TM-ZE260 41008501215A FRAME/HOOK-IN

Pos No.	Parts No	Parts Name	Qty	Unit	Technical Data	Serial No (Start)	Serial No (End)	Remarks	Pages
1	36400525010	CASE	1						
2	36400525020	GEAR	1						
3	36400525030	SHAFT	1						
4	36400525040	GEAR	1						
5	36400095040	SHAFT	1						
6	36400525060	COLLAR	1						
7	36400525100	SHIFTER ASSY	1						
8	36400095110	PACKING	1						
9	36400095070	COVER (BEARING)	1						
10	36400095080	PACKING (COVER)	1						
11	36400095090	SHIM	1						
12	80500006305	BEARING,BALL	2						
13	36400095120	BEARING	2						
14	91206025005	SEAL,OIL	1						
15	36400095130	WASHER	1						
16	90101206012	BOLT	1		M6X12				
17	80602110520	RING,RITAINING	2		R52				
18	90191208014	BOLT	3		M8X14				
19	90191208020	BOLT	4		M8X20				
20	90302040801	WASHER,SPRING	7		8				
23	36400525080	PACKING	1						
	36400525070	PACKING	1						
24	36400525090	BOLT	2						
25	90193210025	BOLT	2		M10X25				
26	90267201000	NUT	2		M10				
27	90302041001	WASHER,SPRING	4		10				
28	36400525110	PIN	2						
29	31790720100	SUPPORT	1						
30	90191208025	BOLT	2		M8X25				
50	36400520000	POWER TAKE OFF	1						
100	31790720000	POWER TAKE OFF	1						

TM-ZE260 41008501215A FRAME/HOOK-IN

Pos No.	Parts No	Parts Name	Qty	Unit	Technical Data	Serial No (Start)	Serial No (End)	Remarks	Page
1	36400895010	CASE	1						
2	36401115010	GEAR	1						
3	36400095030	SHAFT	1						
4	36401115020	GEAR	1						
5	36400415050	SHAFT	1						
6	36400415060	COLLAR	1						
7	36400215070	COLLAR	2						
8	36400225110	SHIFTER SET	1						
9	36400095110	PACKING	1						
10	36400095070	COVER (BEARING)	1						
11	36400095080	PACKING (COVER)	1						
12	36400095090	SHIM	1						
13	80500006206	BEARING,BALL	2						
14	36400415090	BEARING,NEEDLE	2						
15	91206030005	SEAL,OIL	1						
16	91001102100	O-RING	1		1A P21				
17	90710006120	SCREW,SET	1		M6X12				
18	90191208014	BOLT	3		M8X14				
19	90191208020	BOLT	4		M8X20				
20	90302040801	WASHER,SPRING	7		8				
23	36400415100	PACKING (CASE)	1						
24	90191210030	BOLT	6		M10X30				
25	36400095150	BOLT,STUD	2		M10X1.25/1.5X43				
26	90267201000	NUT	2		M10				
27	90302041001	WASHER,SPRING	8		10				
28	31790720100	SUPPORT	1						
29	90191208025	BOLT	2		M8X25				
39	36400225160	SEAL,OIL	1						
50	36401110000	POWER TAKE OFF	1						
100	31790860000	POWER TAKE OFF	1						

TM-ZE260 41008501215A FRAME/HOOK-IN

Pos No.	Parts No	Parts Name	Qty	Unit	Technical Data	Serial No (Start)	Serial No (
1	36401595010	CASE,GEAR	1				
2	52230312180	BOLT (WITH WASHER)	8		M8X1.25		
3	52230308050	COVER (CASE)	1				
4	80500006305	BEARING,BALL	2				
5	52230312021	SHAFT (OUTPUT)	1				
6	36401595020	COLLAR (THRUST)	1				
7	52230312140	ROD (SHAFT)	1				
8	52230312030	SEAL,OIL	1				
9	52230312190	COVER (UPPER)	1				
10	52230312200	PACKING (COVER)	1				
11	52230308130	PIN,SPRING	1		4X24		
12	36401595030	ARM (SHAFT)	1				
13	52230312220	SLEEVE	1				
14	52230308170	PLUG (SHAFT)	1				
15	52230312051	SEAL,OIL	1				
16	52230312060	ADAPTER	1				
17	52230312230	BOLT (WITH WASHER)	4		M8X1.25		
18	52230313110	GEAR ASSY (OUTPUT)	1				
21	52230313090	GEAR,IDLE	1				
22	52230312260	PIN,SPRING	1				
23	52230312090	BEARING,NEEDLE	2				
24	52230308100	SHAFT (IDLE)	1				
25	52230312270	BOLT,HEXAGON SOCKET	1		M8X1.25		
26	52230308160	SPRING (LOCK)	1				
27	52230312150	PIN (LOCK)	1				
28	52230312280	BOLT	3		M8X1.25		
29	52230312120	BOLT,STUD	3				
30	90302041001	WASHER,SPRING	3		10		
31	90267201000	NUT	3		M10		
32	52230312160	WASHER,SPRING	1				
33	52230307020	COUPLING	1				
50	36401609510	POWER TAKE OFF (WITHOUT COUPLING)	1				
100	36401600000	POWER TAKE OFF	1				

TM-ZE260 41008501215A FRAME/HOOK-IN

Pos No.	Parts No	Parts Name	Qty	Unit	Technical Data	Serial No (Start)	Serial No (End)	Remarks	Pages
1	36401725010	CASE	1						
2	36401725020	GEAR	1						
3	36401725030	SHAFT	1						
4	36400095040	SHAFT	1						
5	36400095050	COLLAR	1						
6	36401725040	GEAR	1						
7	36401725050	SHIFTER ASSY	1						
8	36400095120	BEARING	2						
9	80500006206	BEARING,BALL	2						
10	91206030005	SEAL,OIL	1						
11	36400095070	COVER (BEARING)	1						
12	36400095080	PACKING (COVER)	1						
13	36400095090	SHIM	N						
14	90101206012	BOLT	1		M6X12				
15	36400095130	WASHER	1						
16	90191208014	BOLT	3		M8X14				
17	90302040801	WASHER,SPRING	7		8				
18	36400095110	PACKING	1						
19	90191208020	BOLT	4		M8X20				
20	80602110520	RING,RITAINING	2		R52				
22	36400055070	PACKING	1						
23	36400195030	BOLT,STUD	4						
24	90267201000	NUT	4		M10				
25	90193210025	BOLT	2		M10X25				
26	90302041001	WASHER,SPRING	8		10				
27	36401725070	SUPPORT (PUMP)	1						
28	36401725080	BOLT	2		M10X35				
30	31791100100	SUPPORT	1						
31	90191208025	BOLT	2		M8X25				
50	36401720000	POWER TAKE OFF	1						
100	31791100000	POWER TAKE OFF	1						

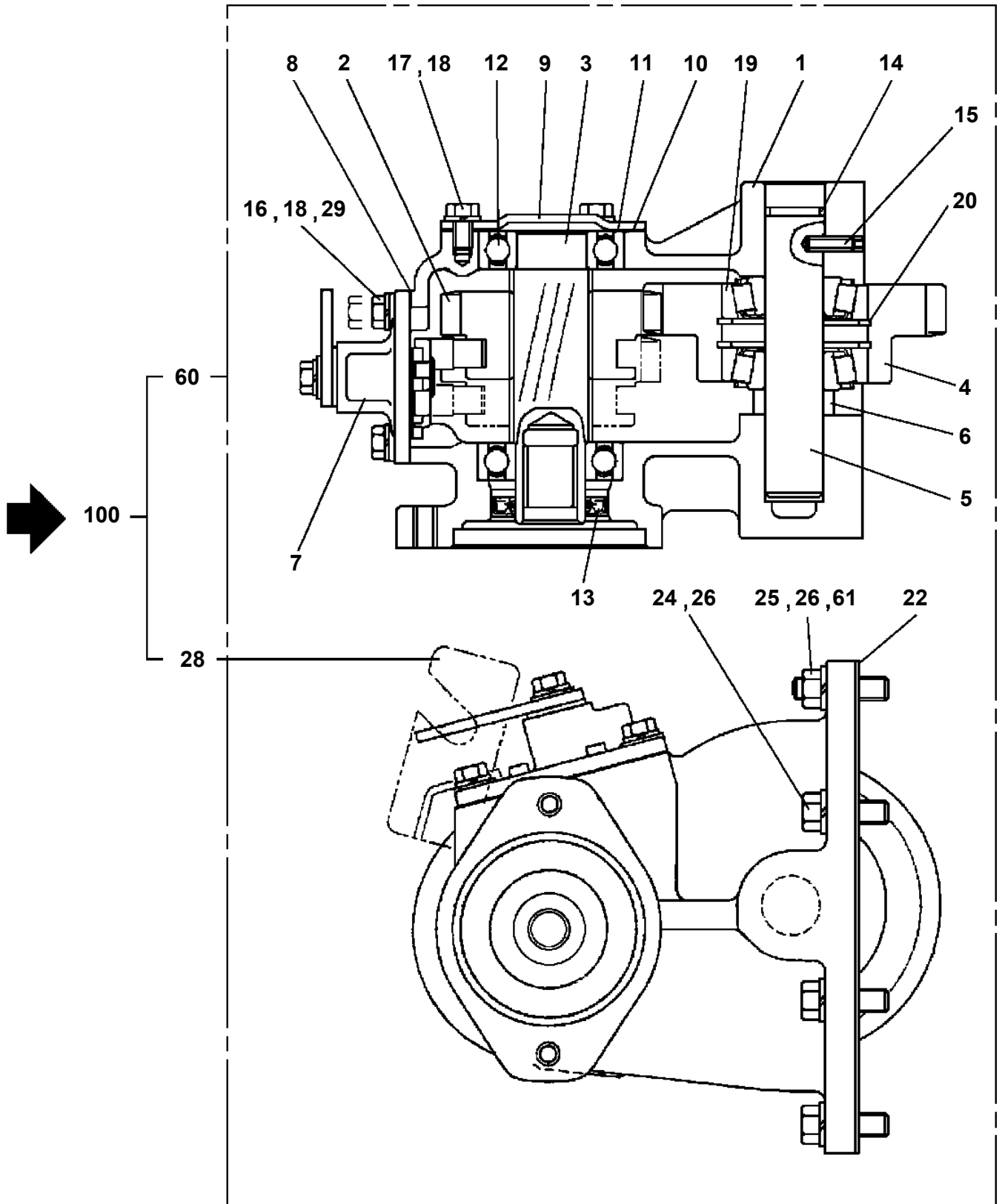
TM-ZE260 41008501215A FRAME/HOOK-IN

Pos No.	Parts No	Parts Name	Qty	Unit	Technical Data	Serial No (Start)	Serial No (End)	Remarks	Pages
1	36401625010	CASE	1						
2	36401625020	GEAR	1						
3	36401645030	SHAFT	1						
4	36401625030	GEAR	1						
5	36400095040	SHAFT	1						
6	36400095100	SHIFTER ASSY	1						
7	36400095110	PACKING	1						
8	36400095070	COVER (BEARING)	1						
9	36400095080	PACKING (COVER)	1						
10	36400095090	SHIM	N						
11	36400095050	COLLAR	1						
12	80500006206	BEARING,BALL	2						
13	36400095120	BEARING	2						
14	36401625040	SEAL,OIL	1						
15	80602110520	RING,RITAINING	2		R52				
16	90710006160	SCREW,SET	1		M6X16				
17	90191208014	BOLT	3		M8X14				
18	90191208020	BOLT	2		M8X20				
	90191208025	BOLT	2		M8X25				
19	90302040801	WASHER,SPRING	7		8				
20	36400055070	PACKING	1						
21	90193210028	BOLT	3						
22	36400835090	BOLT	3		M10X40X1.25				
23	90267201000	NUT	3		M10				
24	90302041001	WASHER,SPRING	6		10				
26	31790660100	SUPPORT	1						
50	36401620000	POWER TAKE OFF	1						
100	31791570000	POWER TAKE OFF	1						

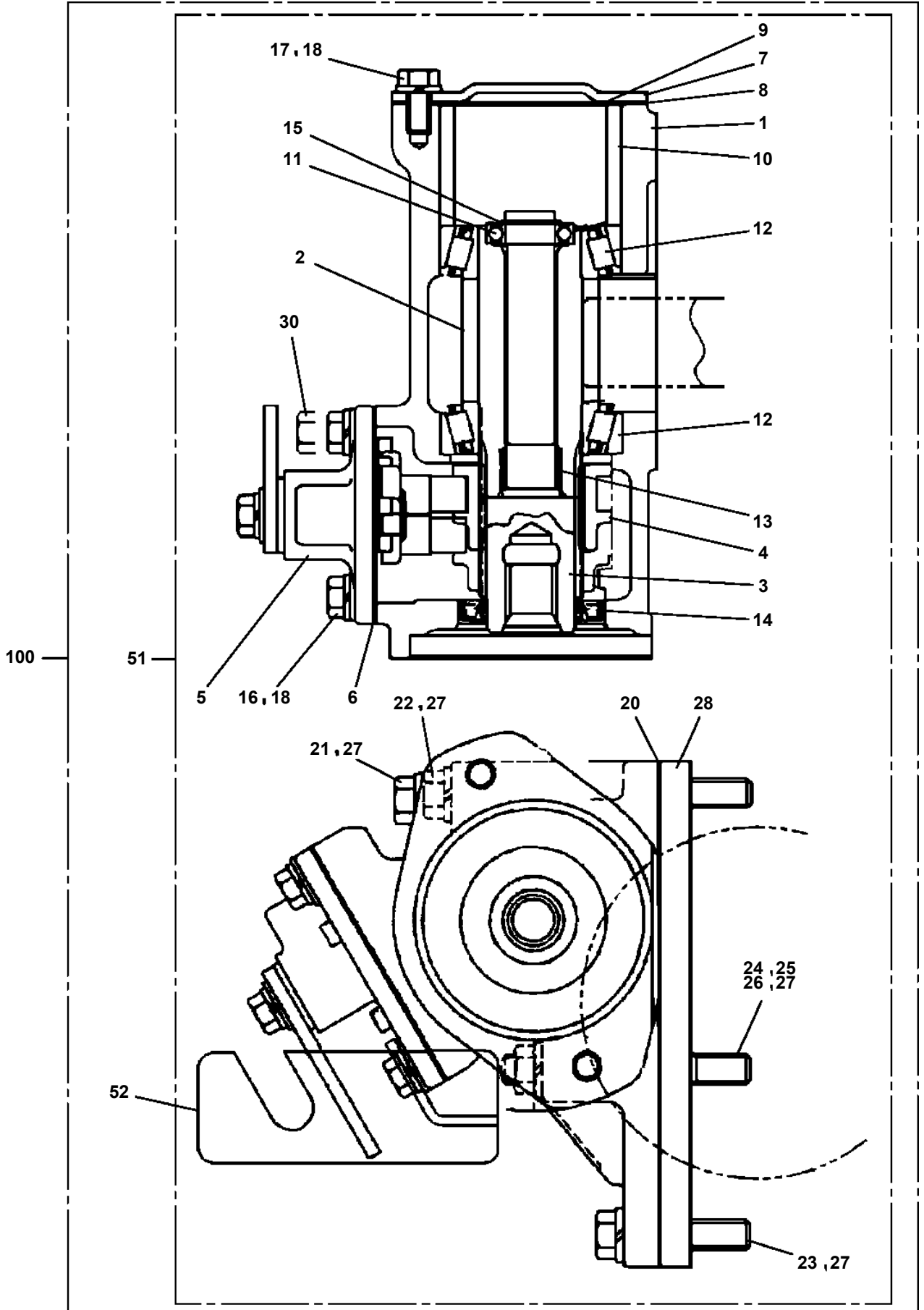
TM-ZE260 41008501215A FRAME/HOOK-IN

Pos No.	Parts No	Parts Name	Qty	Unit	Technical Data	Serial No (Start)	Serial No (End)	Remarks	Pages
1	36401745010	CASE	1						
2	36401745020	GEAR	1						
3	36401745030	SHAFT	1						
4	36400095040	SHAFT	1						
5	36400095050	COLLAR	1						
6	36401915010	GEAR	1						
7	36400095070	COVER (BEARING)	1						
8	36400095080	PACKING (COVER)	1						
9	36400095090	SHIM	N						
10	36401745050	SHIFTER ASSY	1						
11	36400095110	PACKING	1						
12	80500006206	BEARING,BALL	2						
13	91206030005	SEAL,OIL	1						
14	90191208014	BOLT	3		M8X14				
15	90101208020	BOLT	4		M8X20				
16	90101206012	BOLT	1		M6X12				
17	90302040801	WASHER,SPRING	7		8				
18	36400095130	WASHER	1						
19	36401745060	BEARING	2						
20	80602110470	RING,RITAINING	2		R47				
21	36401745070	SPACER	1						
22	36400055070	PACKING	2						
23	36401745080	BOLT,STUD	6						
24	90267201000	NUT	6		M10				
25	90302041001	WASHER,SPRING	8		10				
26	36401725070	SUPPORT (PUMP)	1						
27	36401725080	BOLT	2		M10X35				
30	31791100100	SUPPORT	1						
31	90191208025	BOLT	2		M8X25				
50	36401910000	POWER TAKE OFF	1						
100	31791190000	POWER TAKE OFF	1						

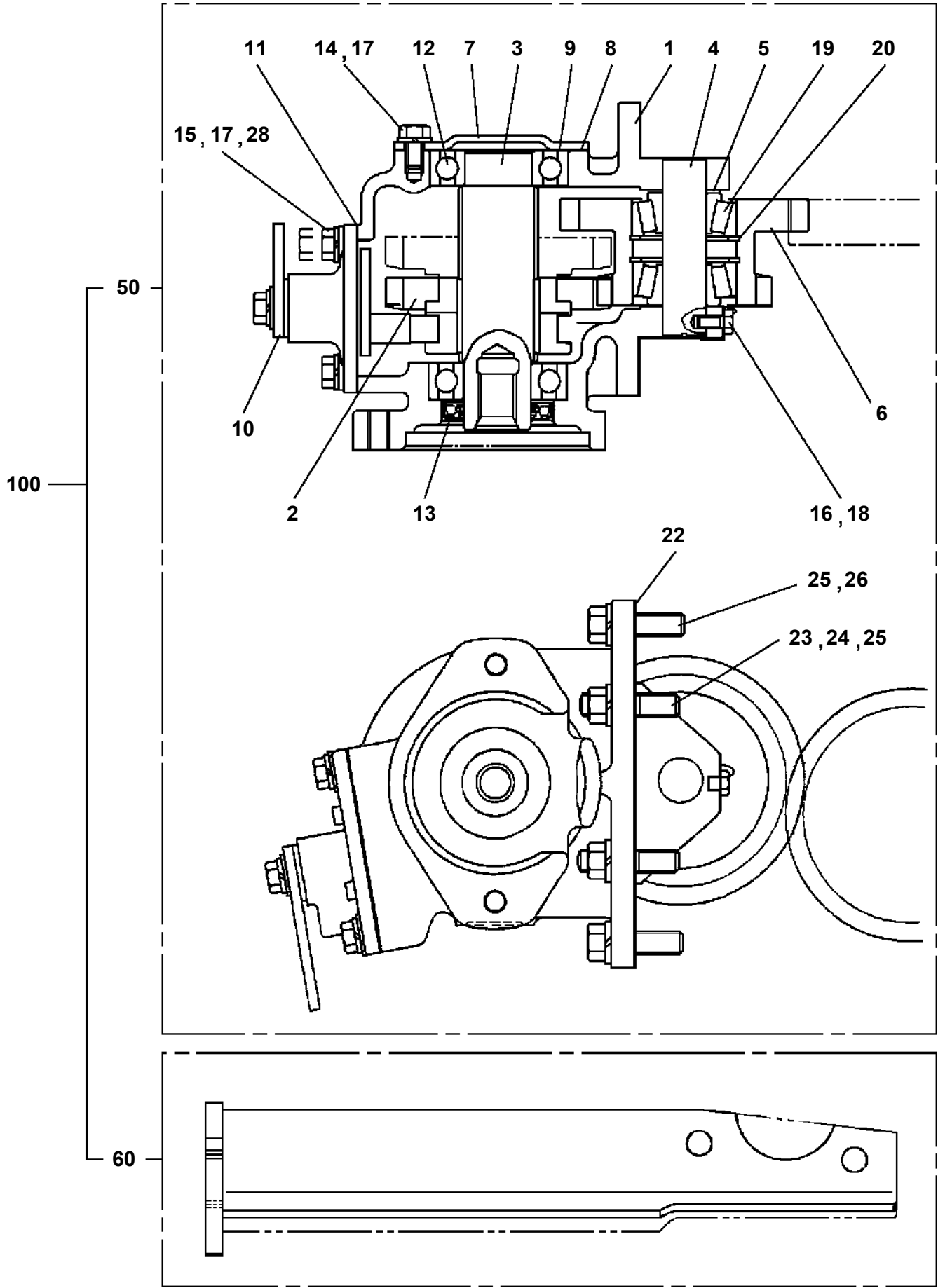
TM-ZE260 41008501215A FRAME/HOOK-IN
PB1030208-01 POWER TAKE OFF



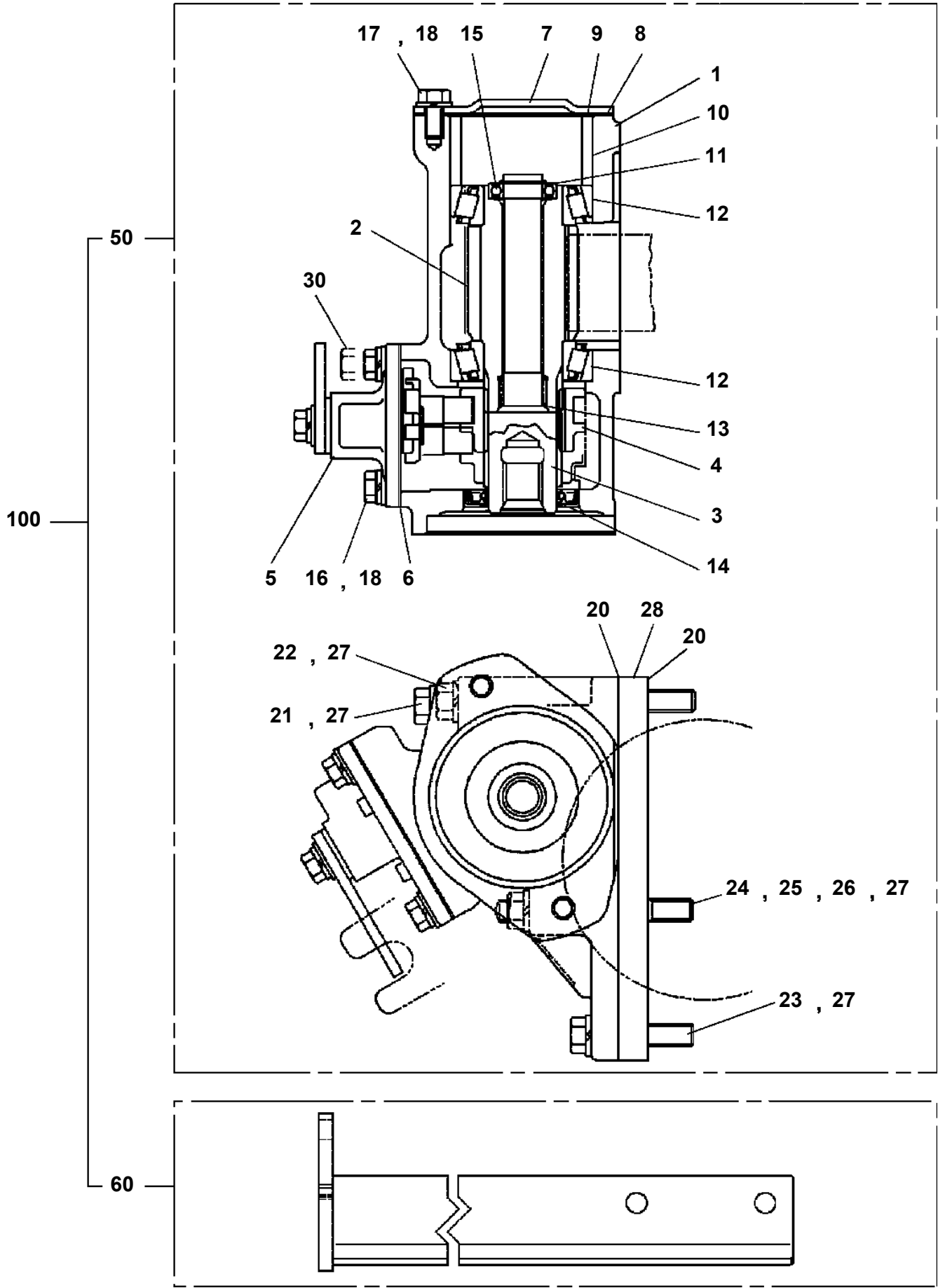
TM-ZE260 41008501215A FRAME/HOOK-IN
PB1030221-01 POWER TAKE OFF



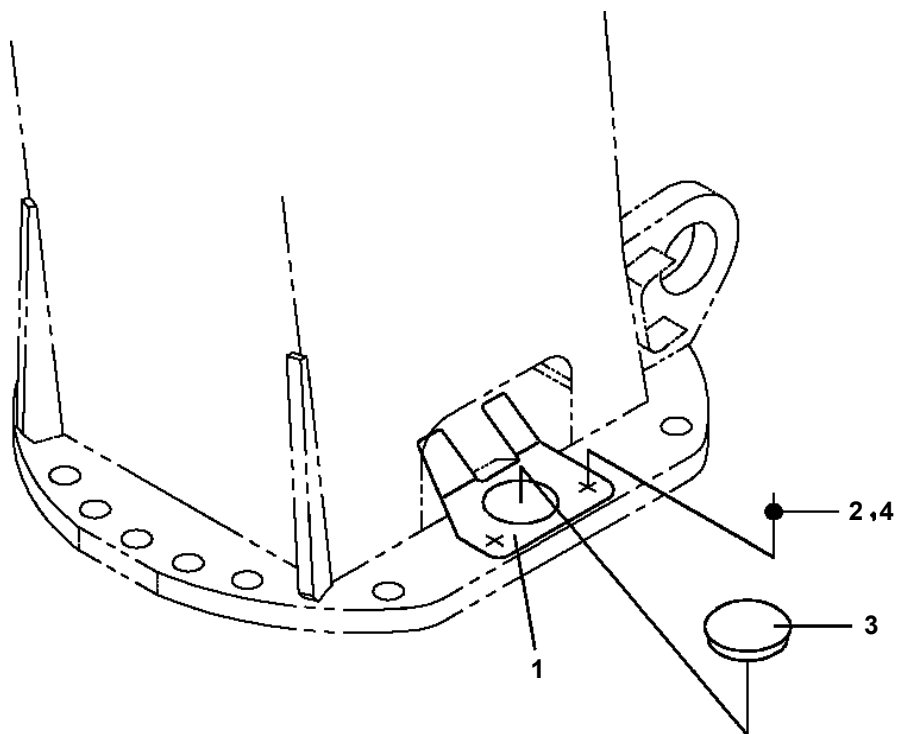
TM-ZE260 41008501215A FRAME/HOOK-IN
PB1030227-00 POWER TAKE OFF



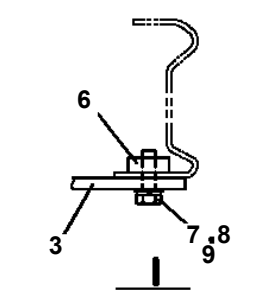
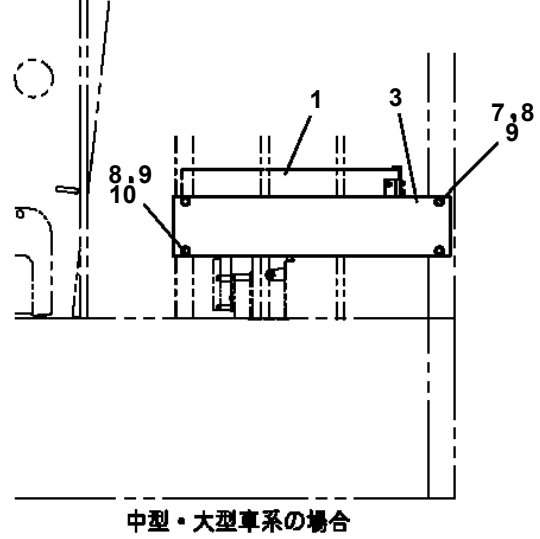
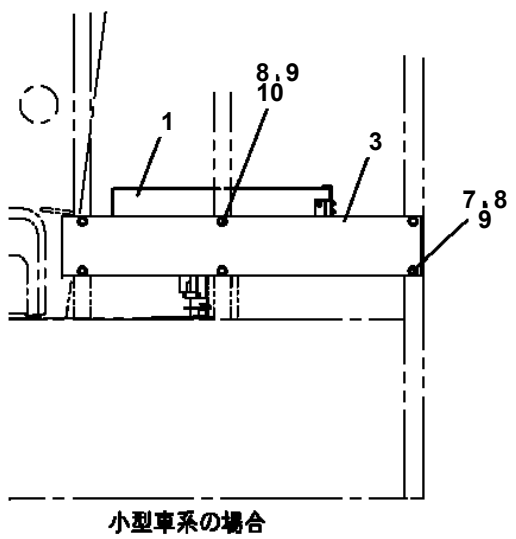
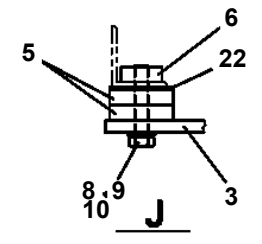
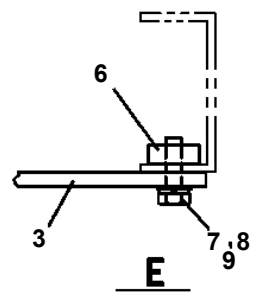
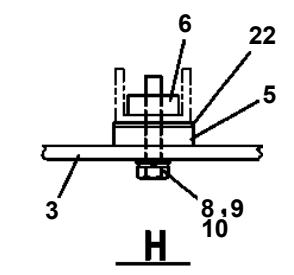
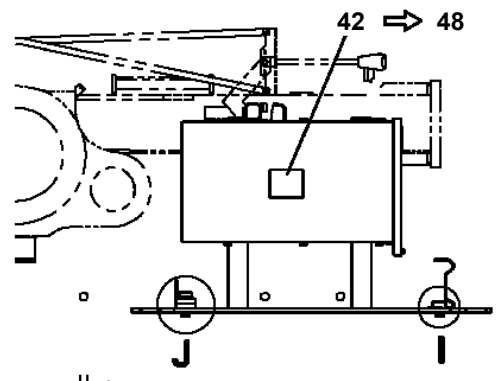
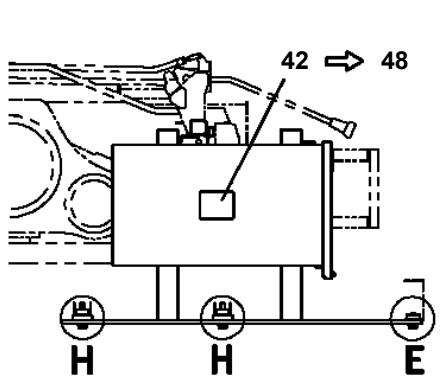
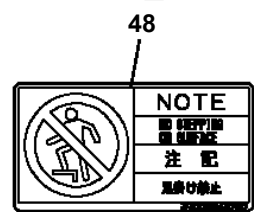
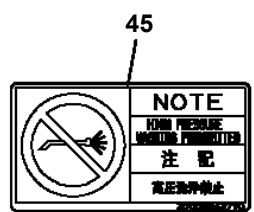
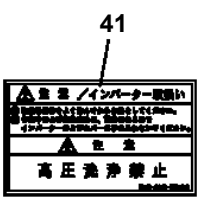
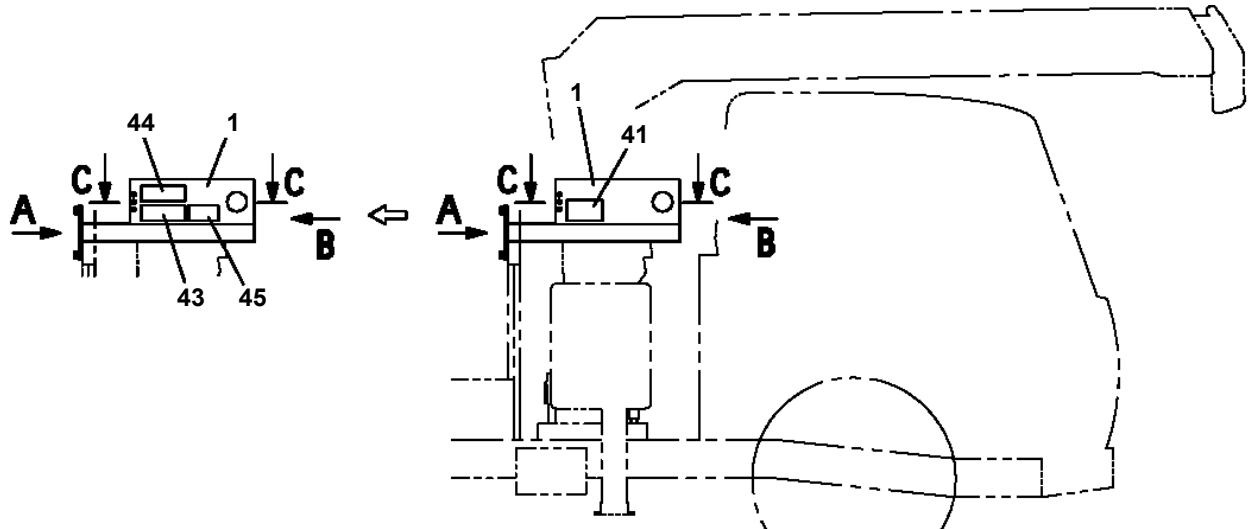
TM-ZE260 41008501215A FRAME/HOOK-IN
PB1030234-01 POWER TAKE OFF



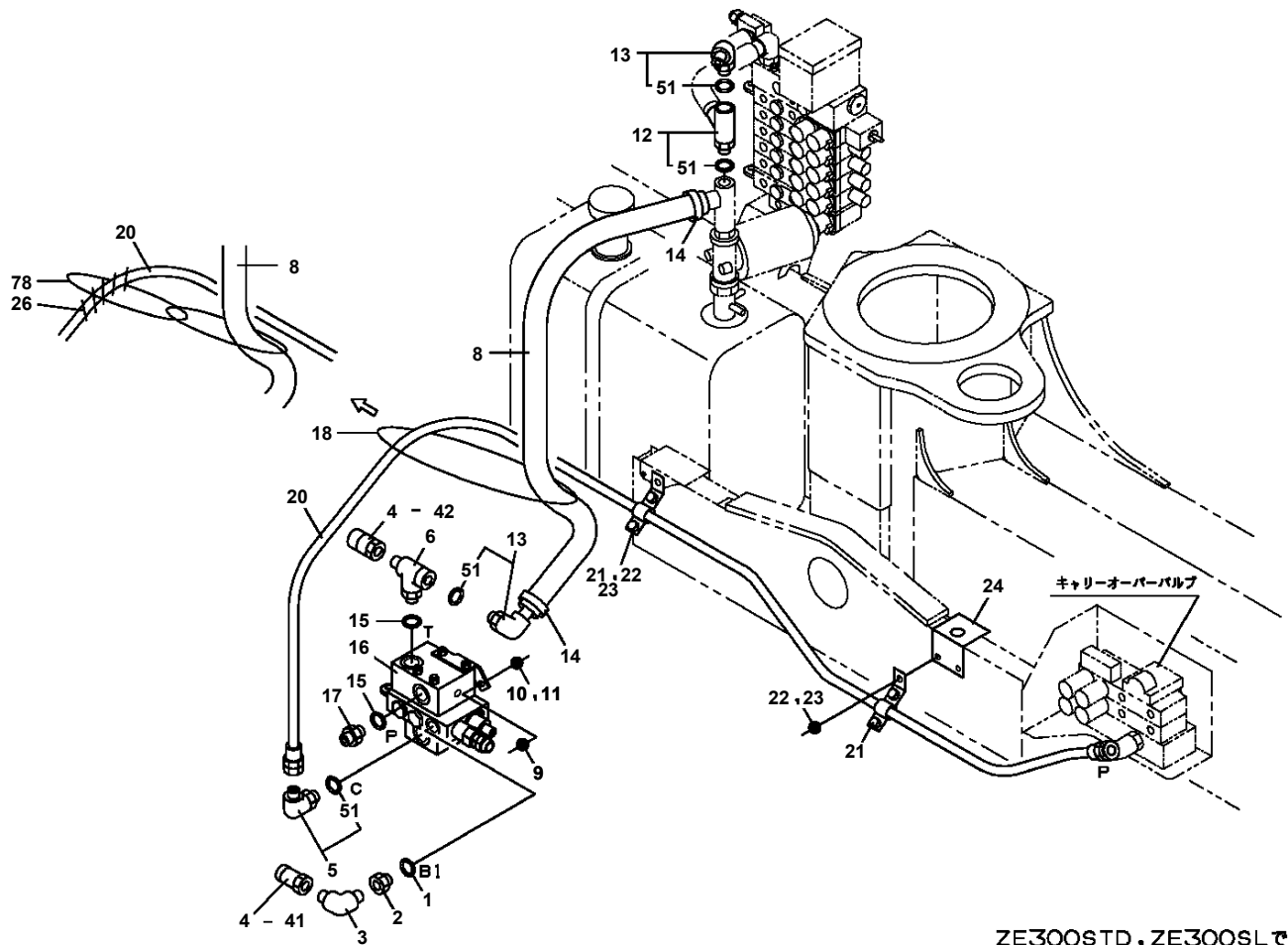
TM-ZE260 41008501215A FRAME/HOOK-IN
PB1290026-00 STOPPER,ROTARY JOINT



TM-ZE260 41008501215A FRAME/HOOK-IN
 PB1380332-03 POWER SUPPLY (100V POWER SOURCE/1500W)



**TM-ZE260 41008501215A FRAME/HOOK-IN
PB1910176-05 PIPING (WITH CARRYOVER,W/O CARRY OVER)**



注 意：本図は参考用に掲載しており、形状などは実際と異なります。

NOTE: THE ABOVE FIGURE IS FOR REFERENCE AND MAY DIFFER FROM THE ACTUAL APPEARANCE OF YOUR MACHINE.

ZE300STD, ZE300SLで
キャリーオーバーバルブがある場合

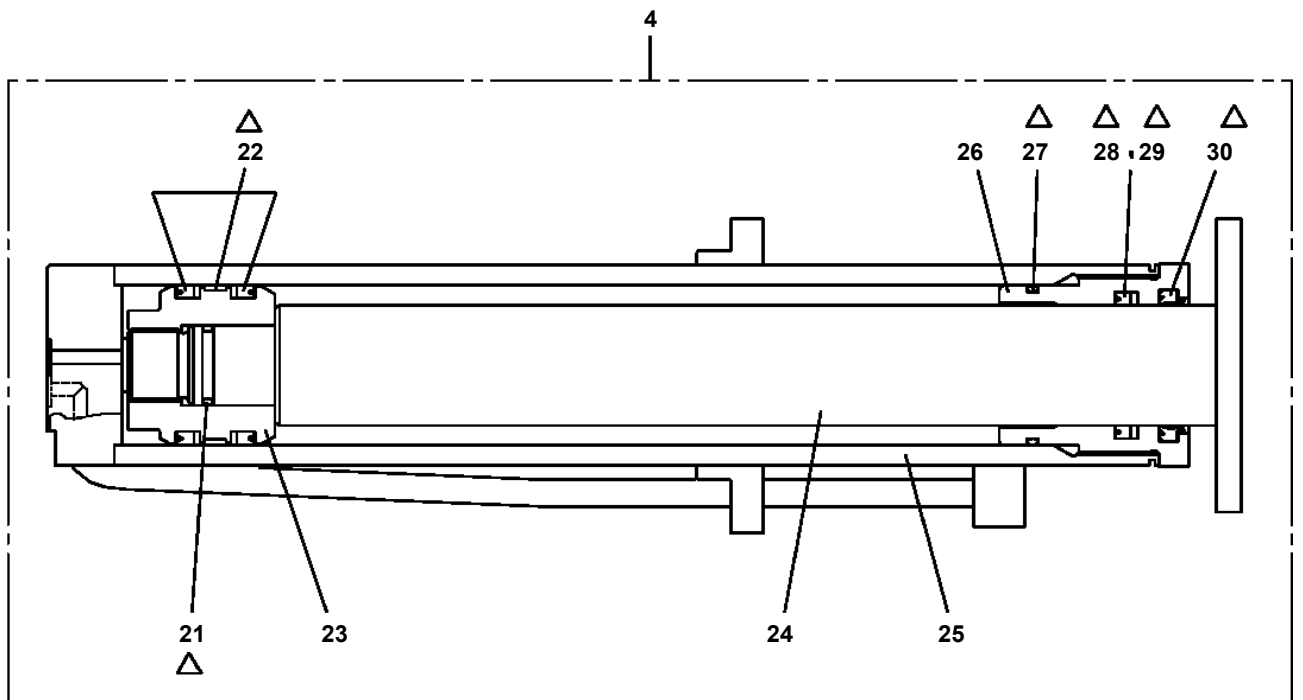
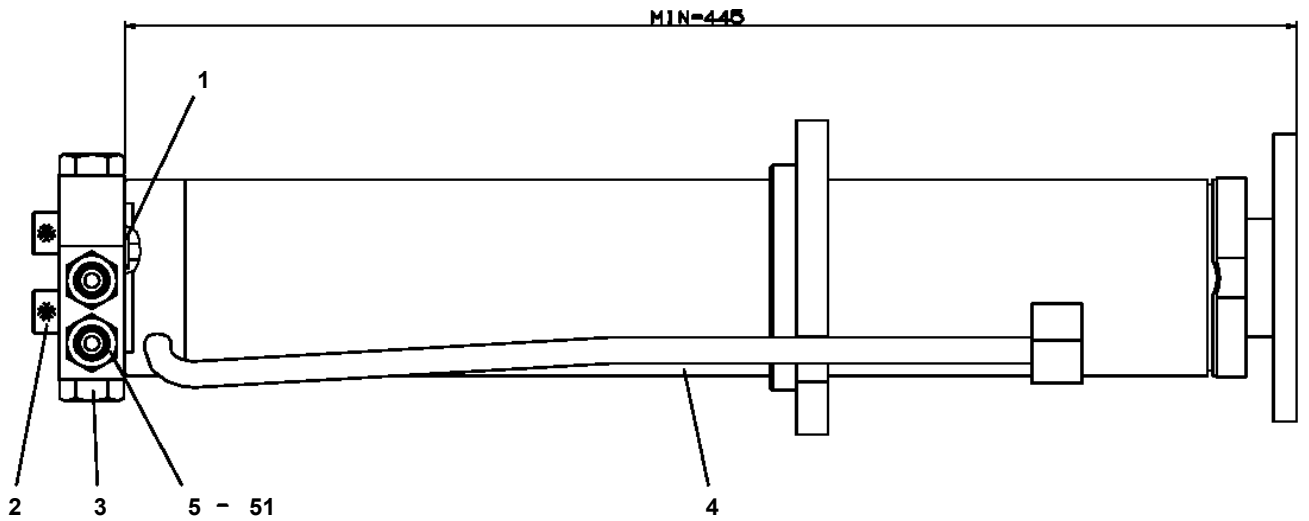
TM-ZE260 41008501215A FRAME/HOOK-IN

Pos No.	Parts No	Parts Name	Qty	Unit	Technical Data	Serial No (Start)	Serial No (End)	Remarks	Pa
1	31731151100	SUPPORT	1						
2	37002400060	HOSE	1		L=850				
3	37002509090	HOSE	1		L=1000				
4	80400160189	JOINT	1						
5	80400160203	JOINT (WITH O-RING)	1						
6	80400160182	JOINT (WITH O-RING)	1						
7	91803600400	CLIP	2		D=27-40				
8	80430620800	JOINT	1						
9	90201780800	NUT	4		M8				
10	90302040801	WASHER,SPRING	4		8				
11	80400160131	JOINT	1						
12	91002801800	O-RING	1		1B P18				
21	91002801800	O-RING	3		1B P18				
31	91002802900	O-RING	1		1B P29				

TM-ZE260 41008501215A FRAME/HOOK-IN

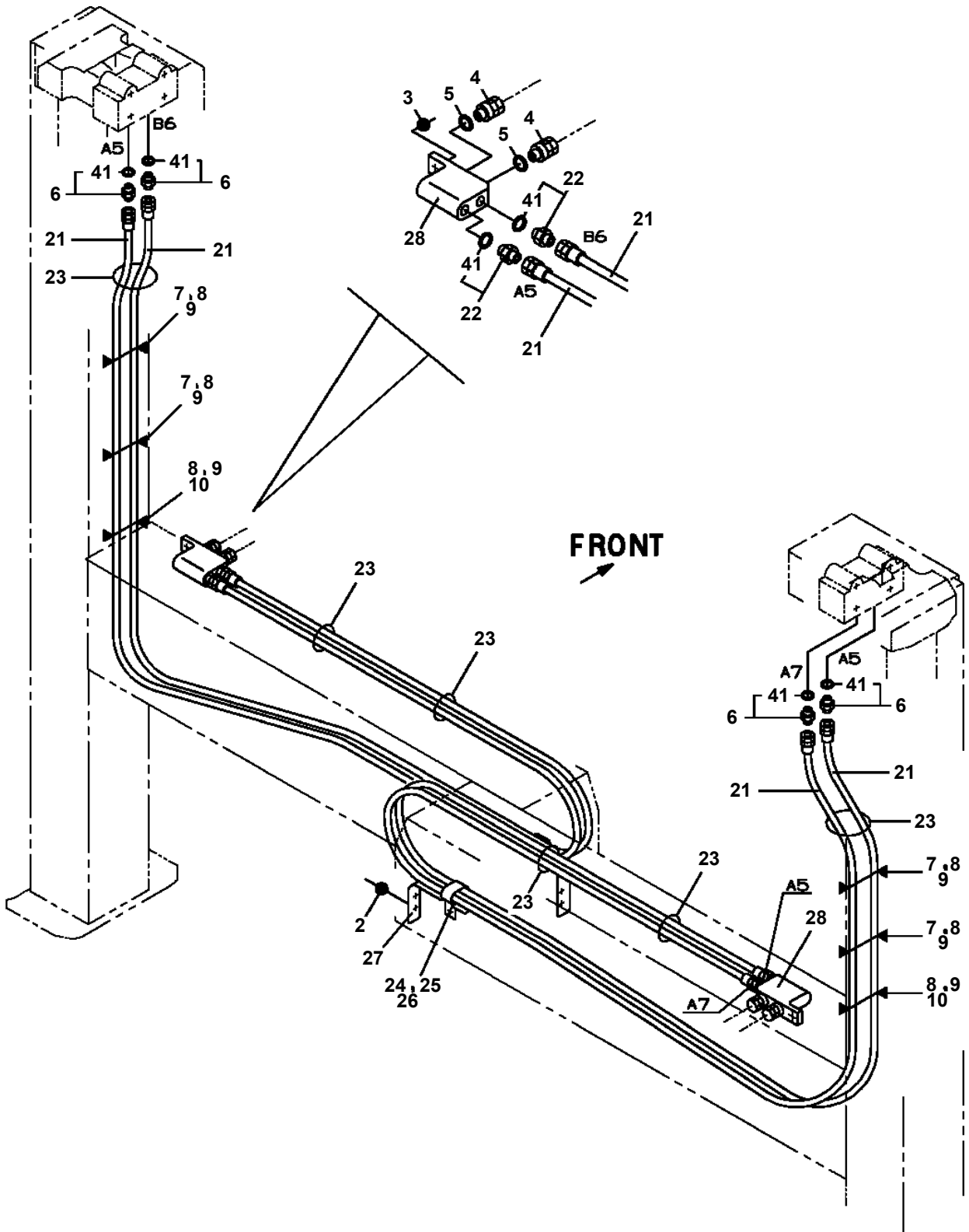
Pos No.	Parts No	Parts Name	Qty	Unit	Technical Data	Serial No (Start)	Serial No (End)	Rema
1	37000163600	PIN	1					
2	80601110300	RING,RITAINING	2		S30			
3	31614061000	CASE,OUTER	1					
4	31611592000	CASE,INNER	1					
5	(*****)	OUTRIGGER ASSY (MIN.1149)	1					
6	37000112060	PIN	1					
7	80602110300	RING,RITAINING	2		R30			
8	37000112070	PIN	1					
9	31611594000	FLOAT ASSY	1					
10	31201770100	PLATE,SLIDE	4		T=3.0			
11	31200030530	PLATE	1					
12	90191210020	BOLT	2		M10X20			
13	90302041001	WASHER,SPRING	4		10			
14	90186208014	BOLT,FLANGE	2		M8X14			
15	31614060110	COVER	1					
16	50822014000	PLATE	1					
17	37001400200	SPRING	1					
18	37002217610	PLATE,CAUTION (CAUTION)	1					
19	31611300600	PLATE,NAME (YELLOW)	2					
20	31611300500	PLATE,NAME (WHITE)	2					
21	(*****)	OPE.ASSY,OUTRIGGER	1					
22	37000150360	PIN	1					
23	80601110150	RING,RITAINING	2		15			
24	37000310360	SPACER	1		L=15			
25	31620582020	BEARING,BALL (KOYO)	1					
26	90171110020	BOLT	2		M10X20			
41	31621963200	SUPPORT	1					
44	31613989510	SUPPORT	1					
45	31622191500	SUPPORT	1					
52	31610175010	TRUNNION	1					
100	31614060100	OUTRIGGER (RIGHT)	1					

**TM-ZE260 41008501215A FRAME/HOOK-IN
PC1030185-04 CYLINDER,JACK (REAR)**

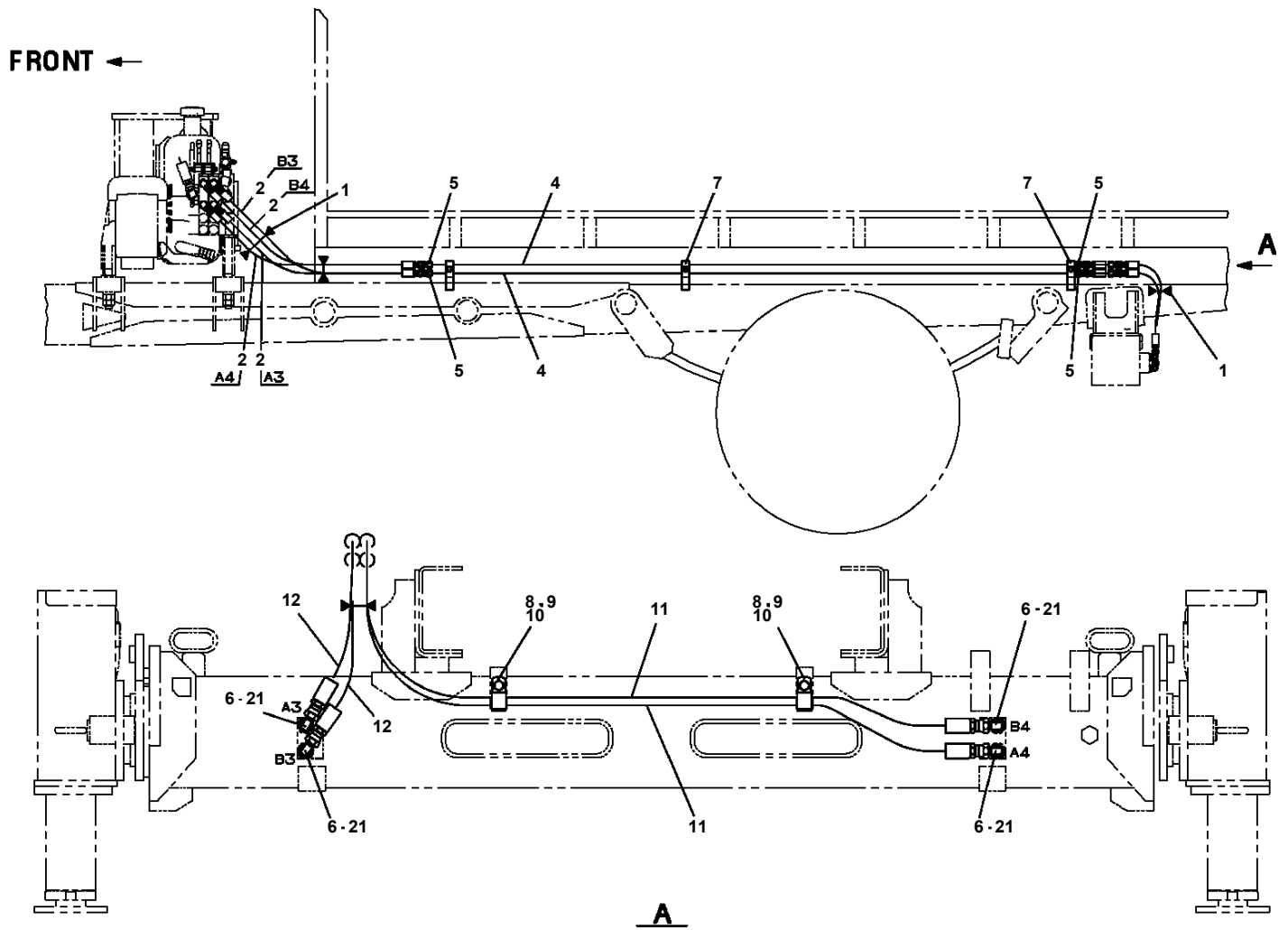


△:PACKING SET KEY NO.41 (KEY NO.21,22,27,28,29,30)

TM-ZE260 41008501215A FRAME/HOOK-IN
PC1200643-00 PIPING,OUTRIGGER

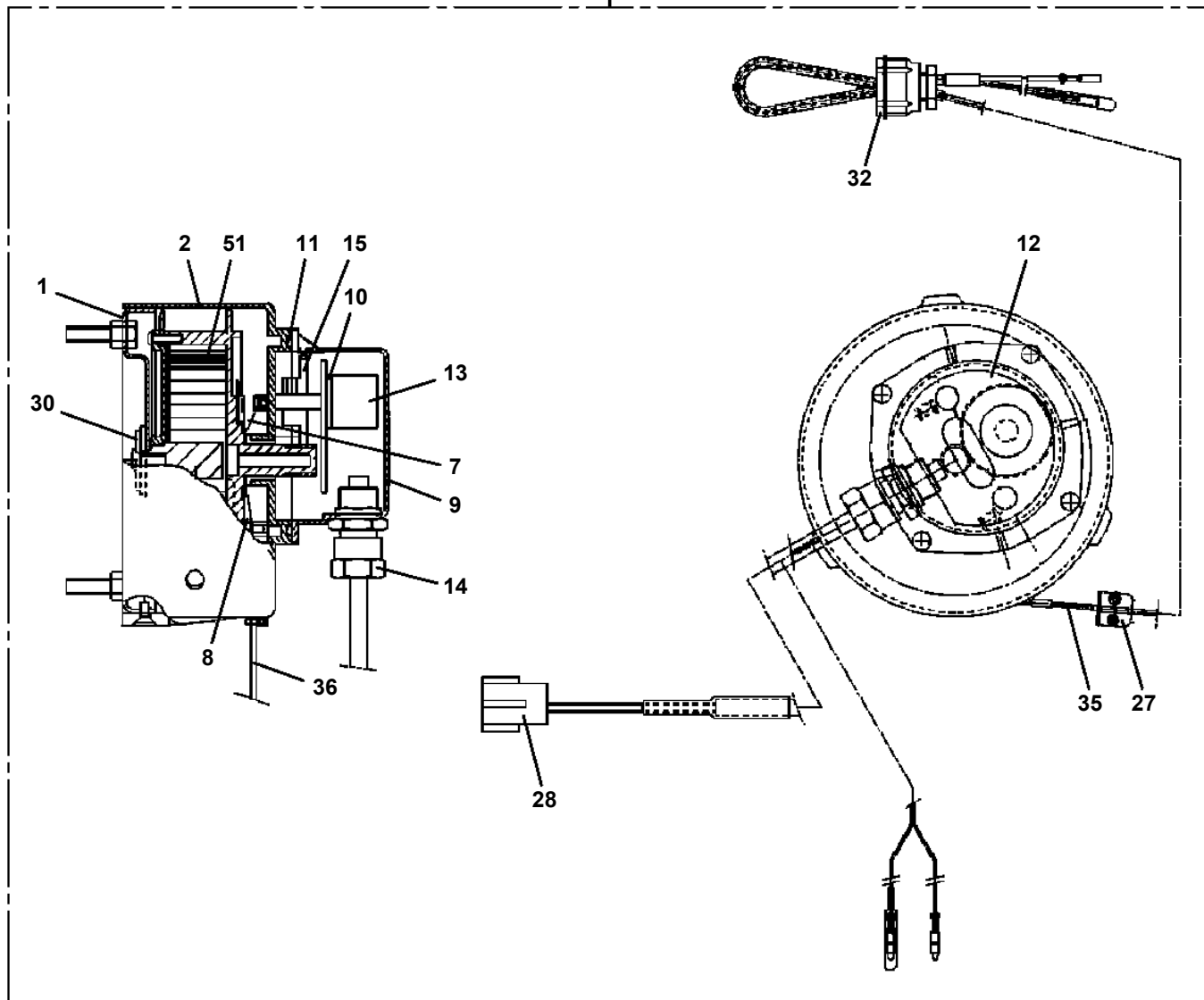


TM-ZE260 41008501215A FRAME/HOOK-IN
PC1230067-00 PIPING,REAR JACK

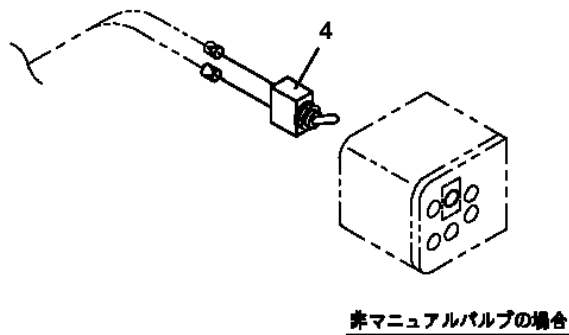
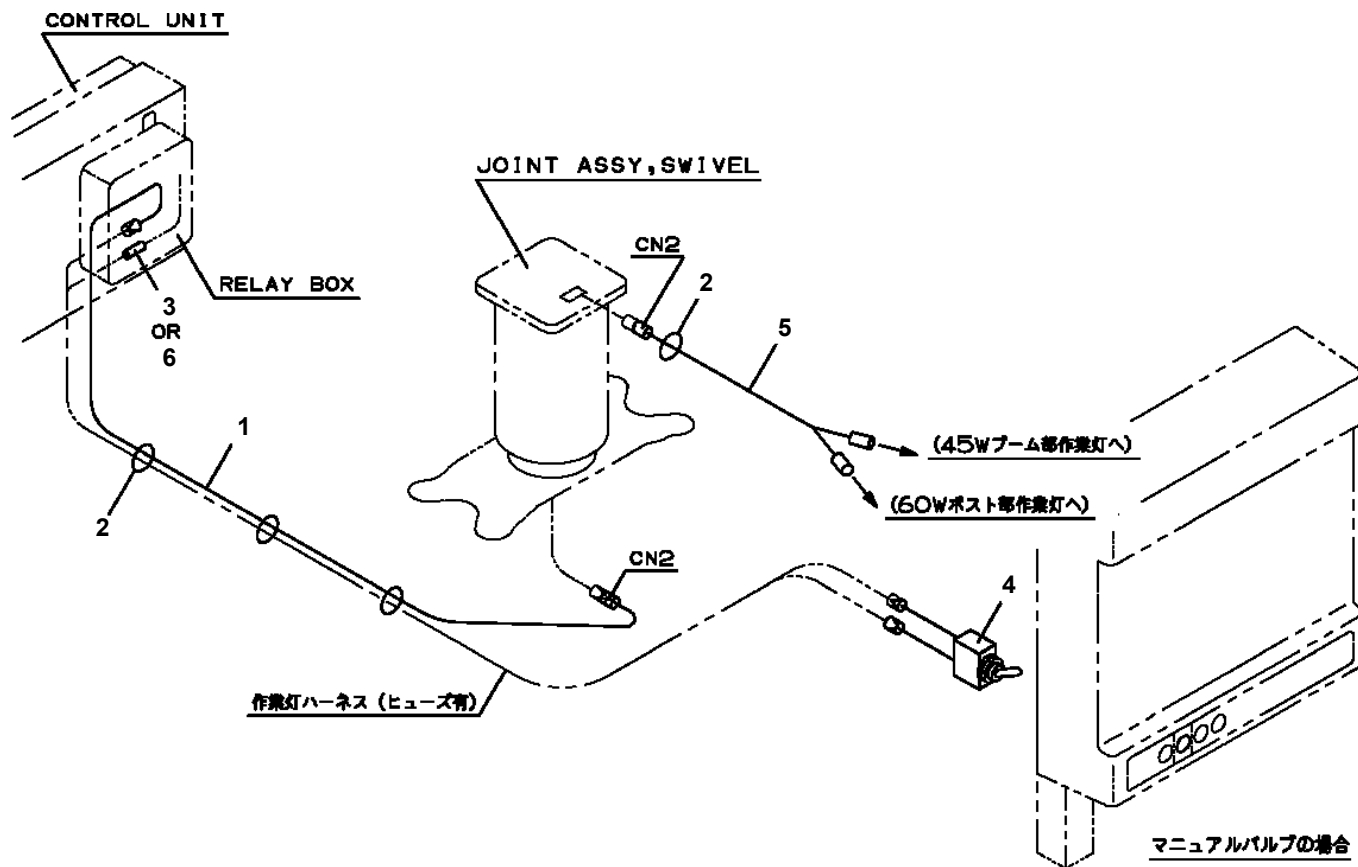


TM-ZE260 41008501215A FRAME/HOOK-IN
PD5070016-00 DETECTOR ASSY,LENGTH

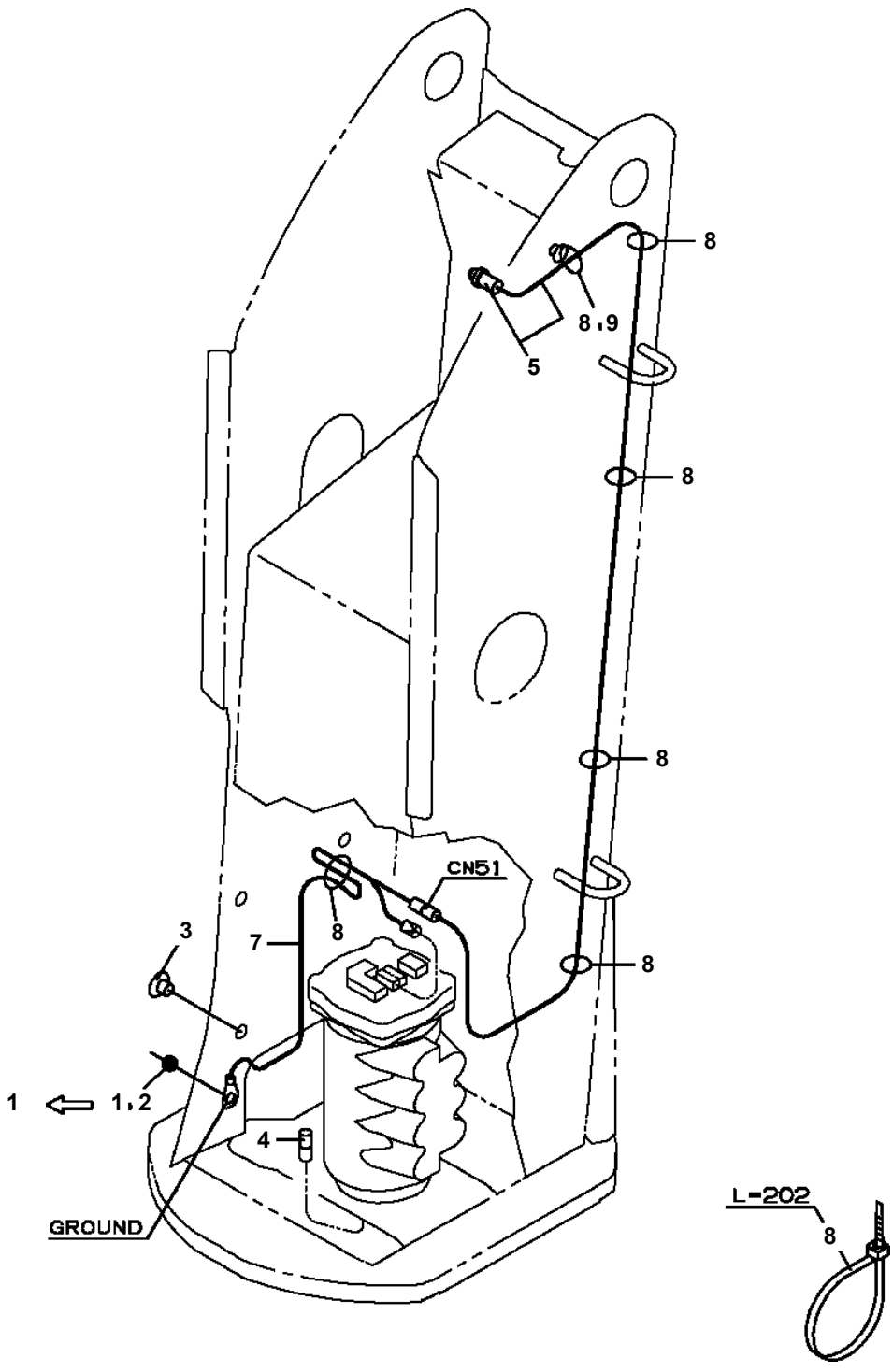
100



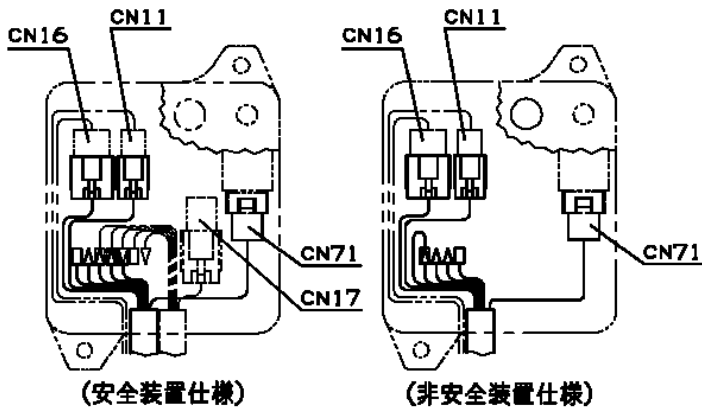
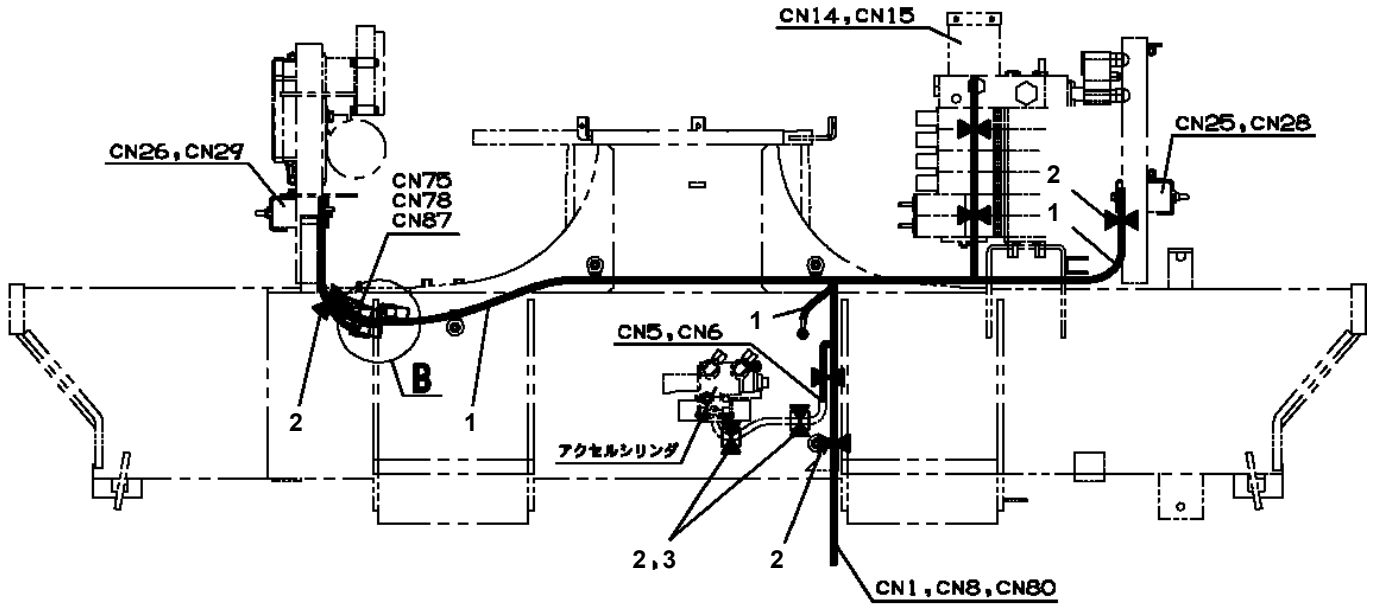
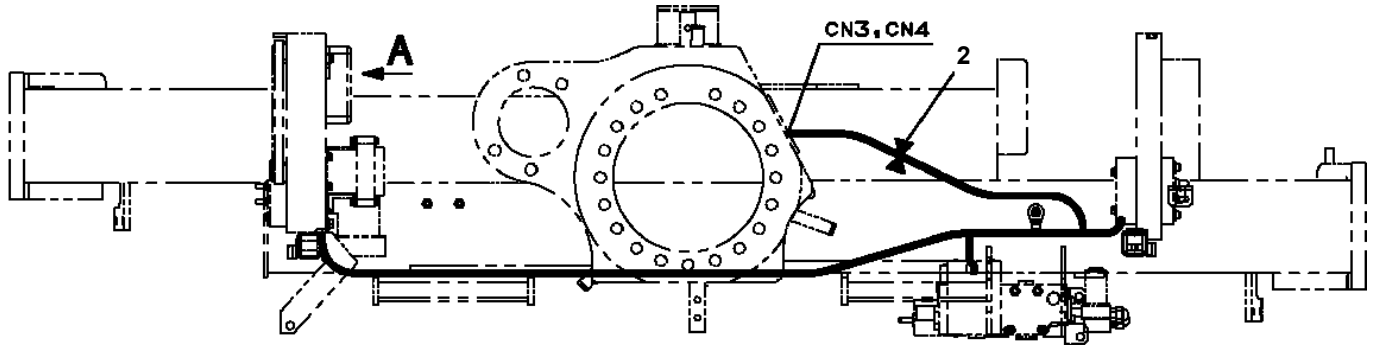
TM-ZE260 41008501215A FRAME/HOOK-IN
 PE5020035-01 ELEC.ASSY (WARKING LAMP:2-LIGHT INSTALLATION)



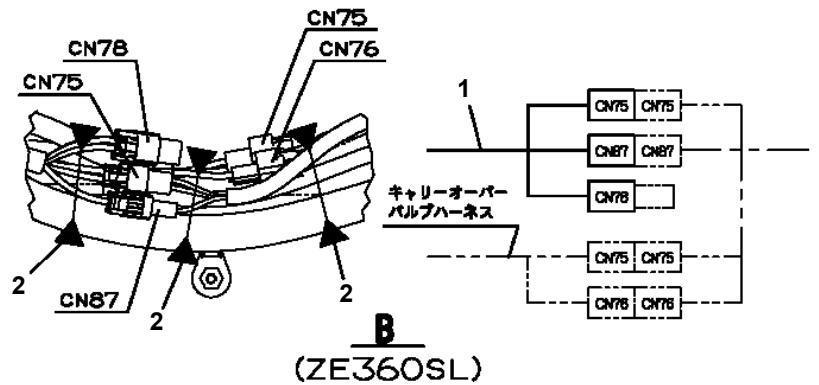
TM-ZE260 41008501215A FRAME/HOOK-IN
PE5020336-01 ELEC.ASSY (POST/PROXIMITY SWITCH)



TM-ZE260 41008501215A FRAME/HOOK-IN
PE5020371-00 ELEC.ASSY



A
(リレー-BOX)

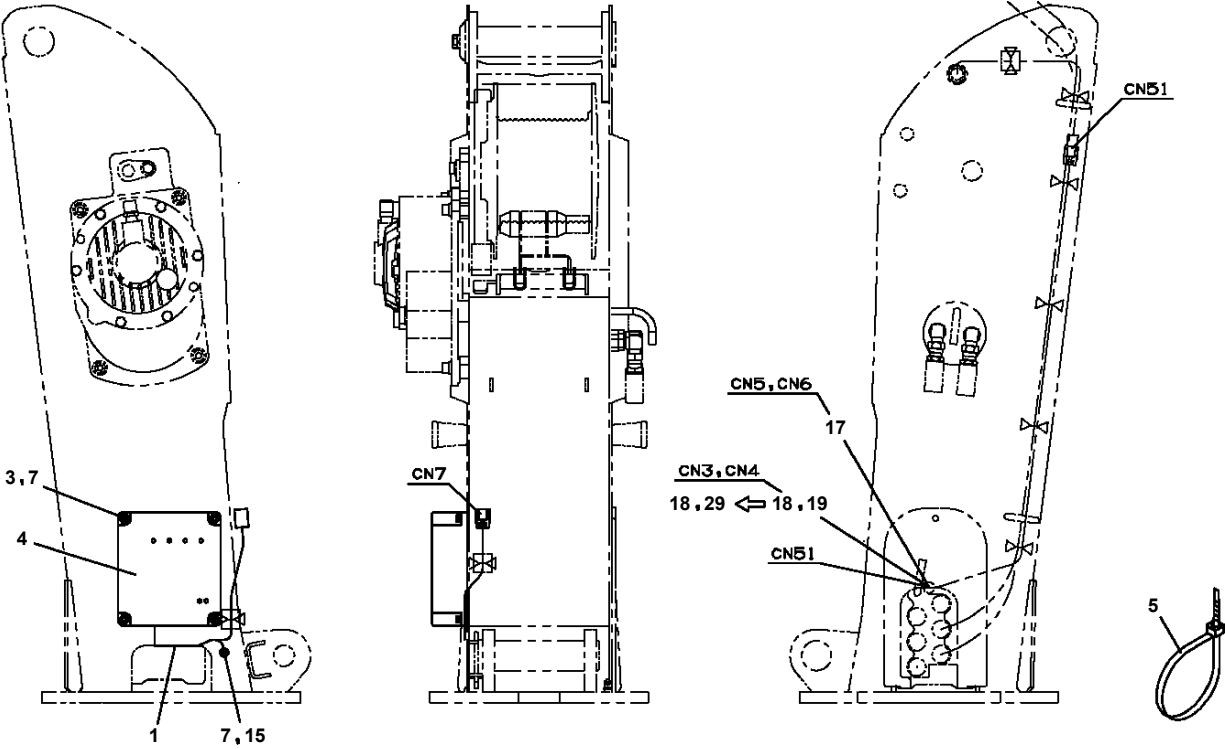


B
(ZE360SL)

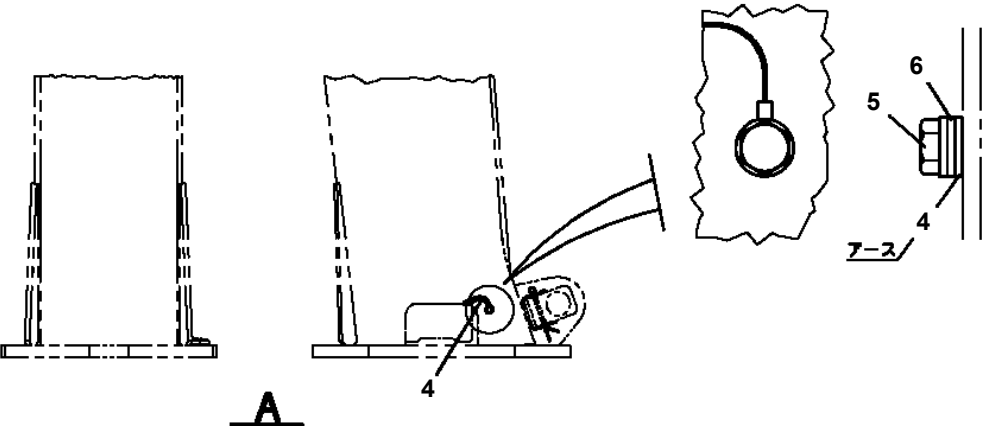
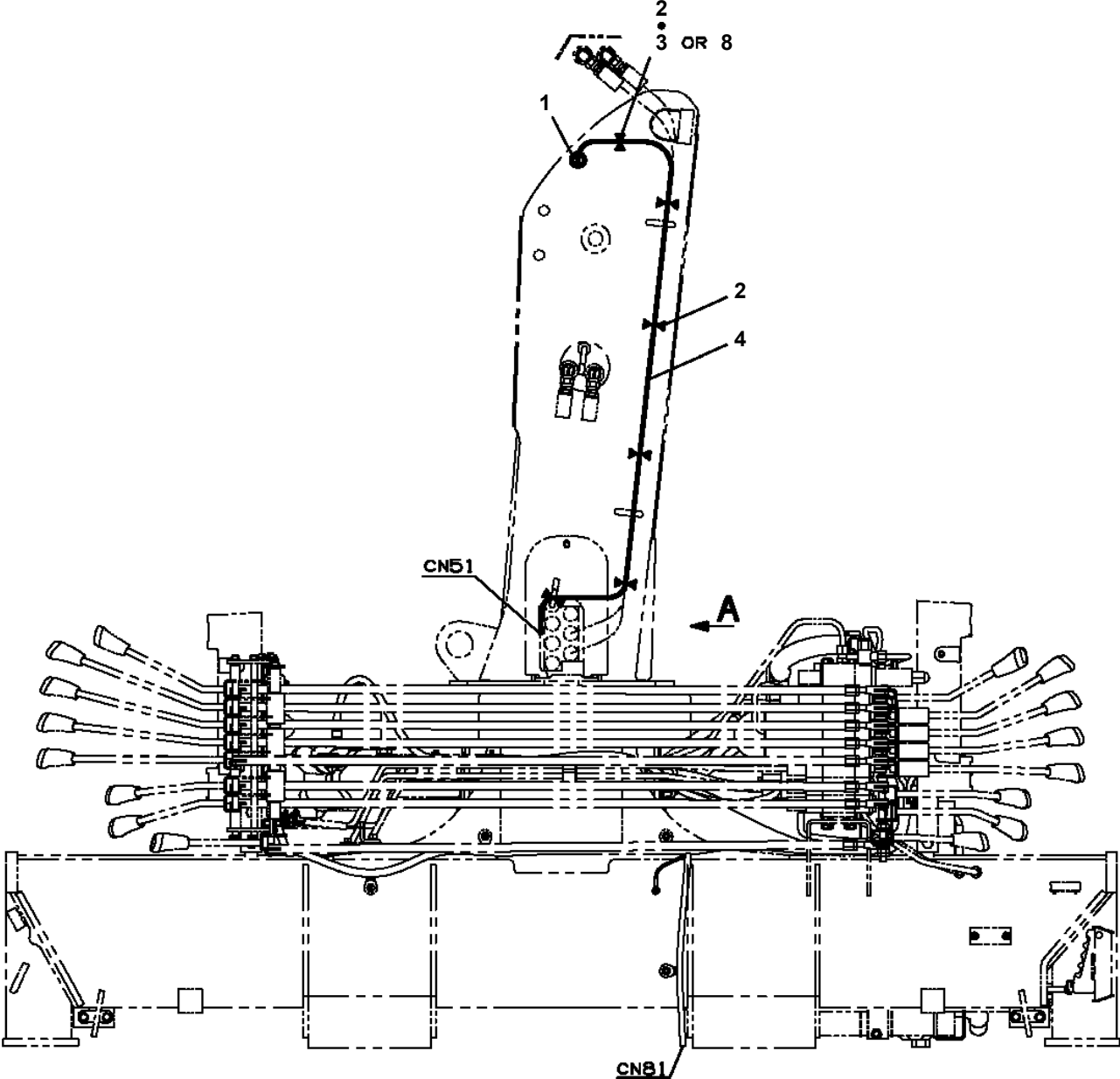
TM-ZE260 41008501215A FRAME/HOOK-IN

Pos No.	Parts No	Parts Name	Qty	Unit	Technical Data	Serial
1	(*****)	RING ASSY,SLIP (CJ NUMBER OF THE ELECTRODES KIT)	1			
2	(*****)	ELEC.ASSY (SAFETY DEVICE: SWING DIRECTION DETECTOR FOR)	1			

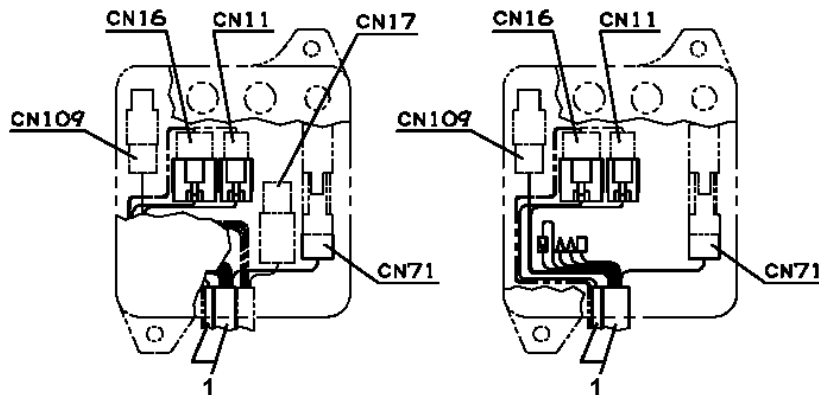
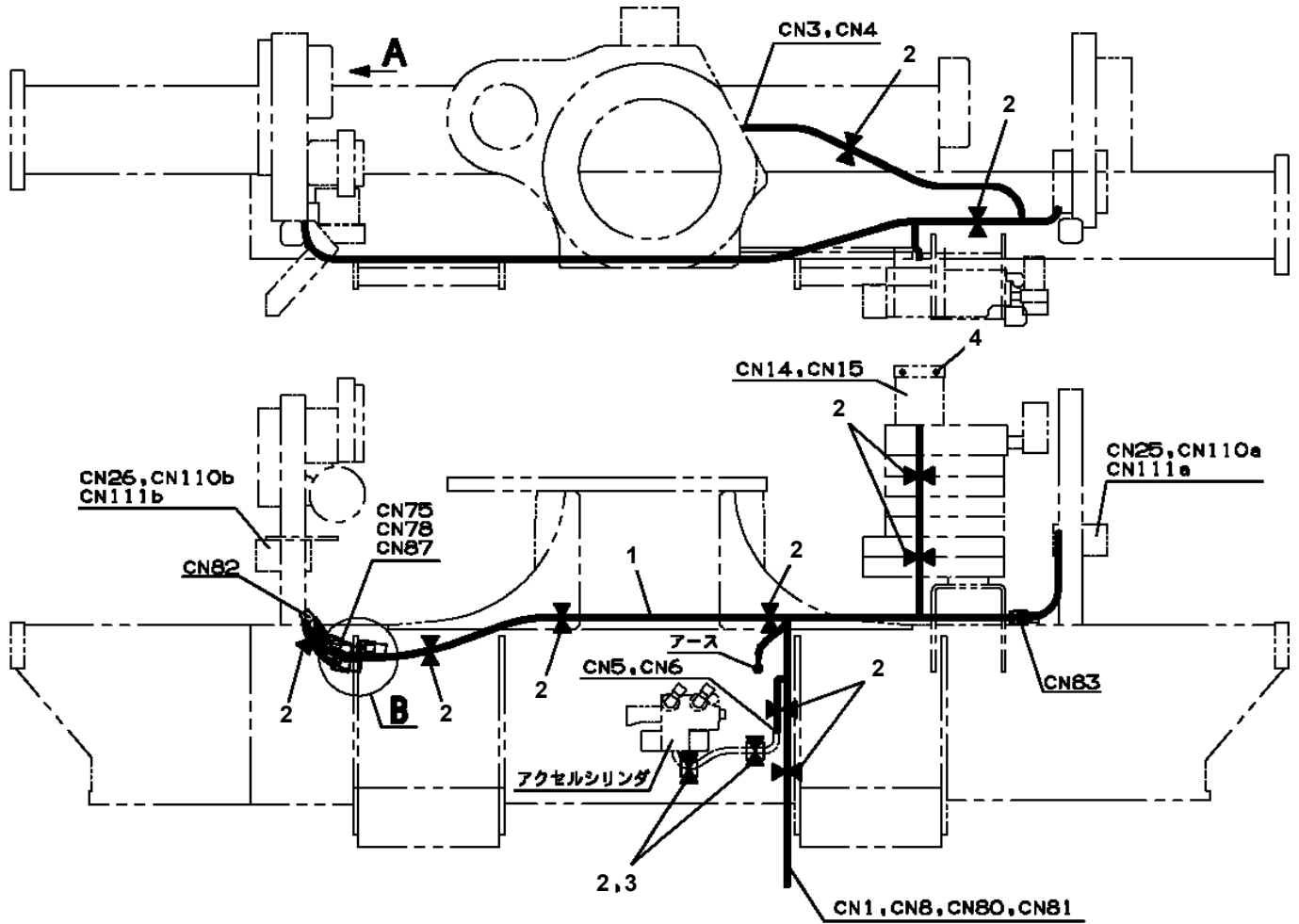
TM-ZE260 41008501215A FRAME/HOOK-IN
PE5020562-02 ELEC.ASSY



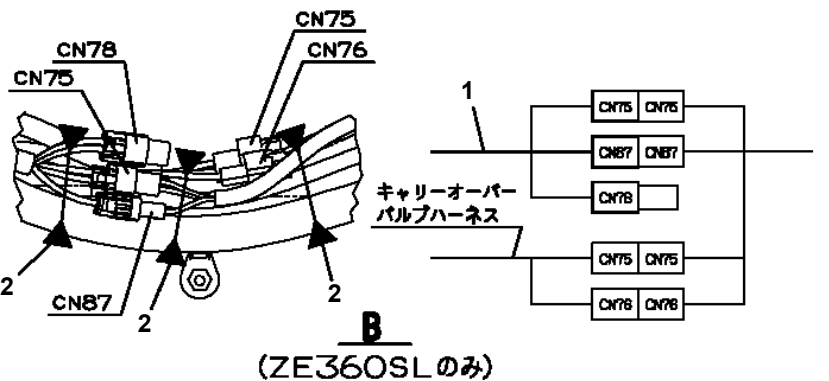
TM-ZE260 41008501215A FRAME/HOOK-IN
PE5020750-00 ELEC.ASSY (FRAME)



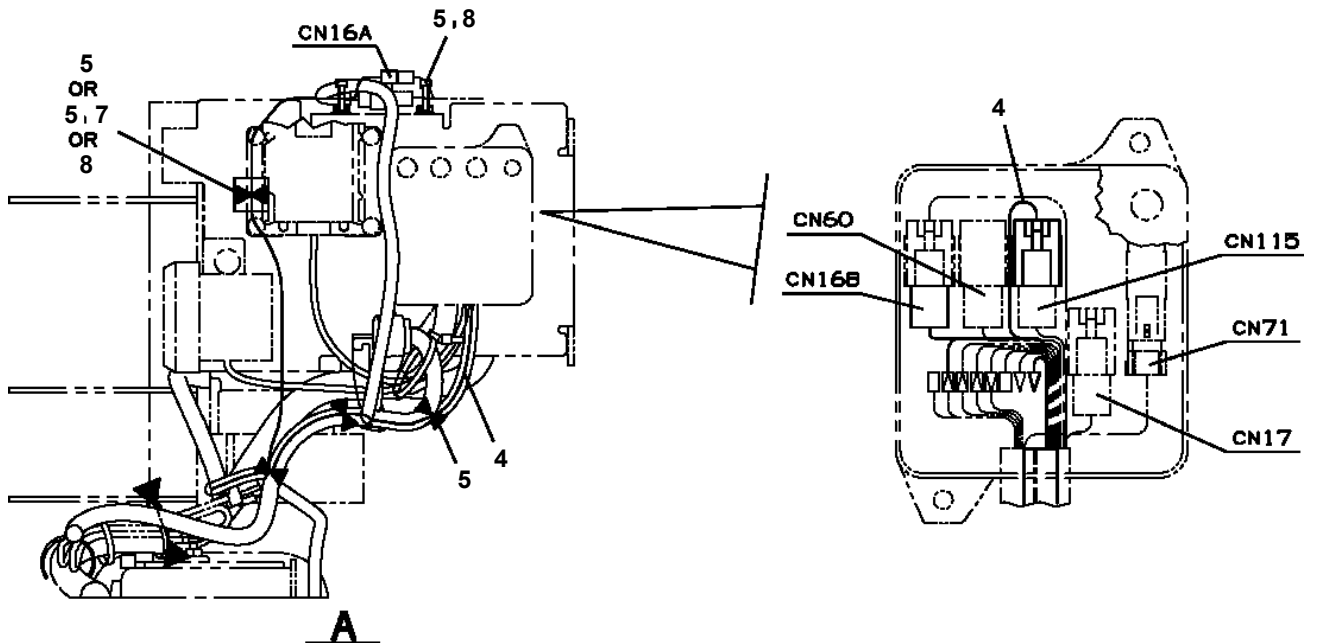
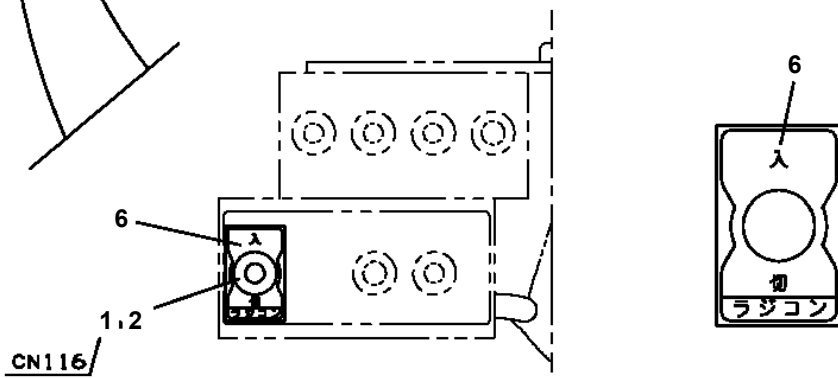
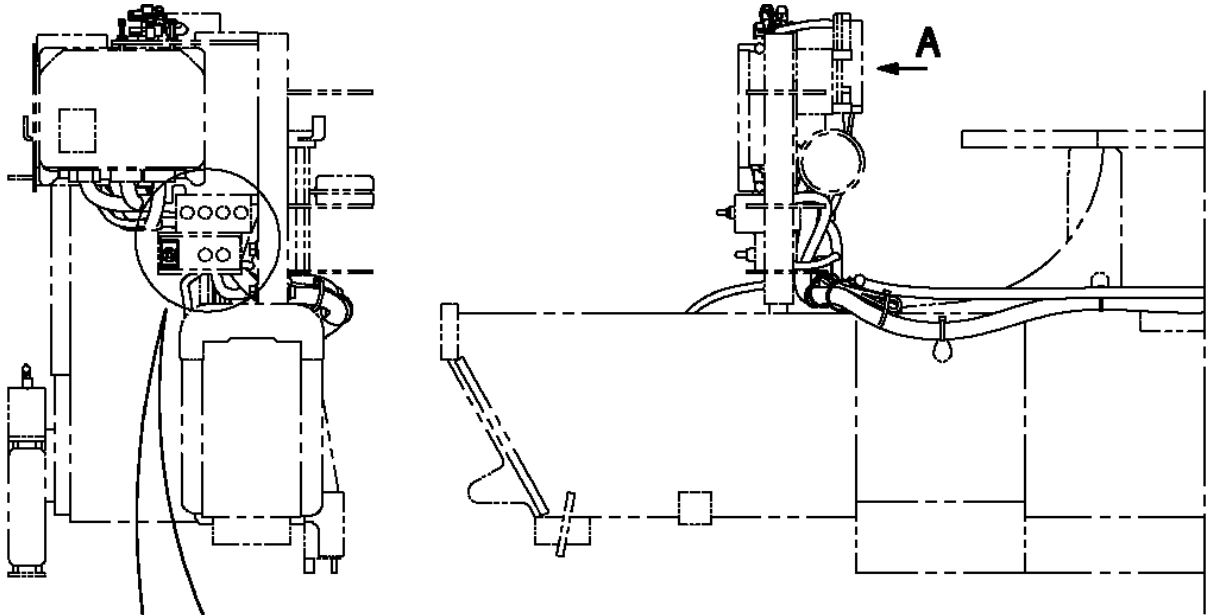
TM-ZE260 41008501215A FRAME/HOOK-IN
PE5020815-00 ELEC.ASSY



(安全装置仕様)
(STM-P付き)
A
(リレ-BOX)



TM-ZE260 41008501215A FRAME/HOOK-IN
PE5020923-00 ELEC.ASSY (RADIO CONTROL SW)



TM-ZE260 41008501215A FRAME/HOOK-IN

Pos No.	Parts No	Parts Name	Qty	Unit	Technical Data	Serial No (Start)	Serial No (End)	Remarks	Pages
1	31361312100	HARNESS	1						000197
2	91810130250	FASTENER	4						

TM-ZE260 41008501215A FRAME/HOOK-IN

Pos No.	Parts No	Parts Name	Qty	Unit	Technical Data	Serial No (Start)	Serial No
1	31362513200	HARNESS	1				
2	36150080000	DETECTOR ASSY,MOMENT	2				
3	90172106020	BOLT,HEXAGON SOCKET	4		M6X20		
4	36120580000	TRANSMITTER ASSY,SIGNAL (ASSY ONLY)	1				
5	91810130250	FASTENER	16				
7	90303070601	WASHER,PLAIN	4		6		
8	31362142100	JOINT	1				
9	91002801100	O-RING	2		1B P11		
10	90171110070	BOLT	2		M10X70		
11	90302041001	WASHER,SPRING	2		10		
12	90303071001	WASHER,PLAIN	2		10		
14	90186206010	BOLT,FLANGE	3		M6X10		
18	31362563200	COVER	1		L=500		
19	91850700101	CLAMP	6		L=208		
42	80316030020	PLUG	1		PT1/8		
61	31656011200	COVER	1				
62	37002227560	PLATE,NAME (BLACK)	4		D=16		

TM-ZE260 41008501215A FRAME/HOOK-IN

Pos No.	Parts No	Parts Name	Qty	Unit	Technical Data	Serial No (Start)	Serial No (End)	Remarks	Pages
1	(*****)	NAME PLATE ASSY	1						000298

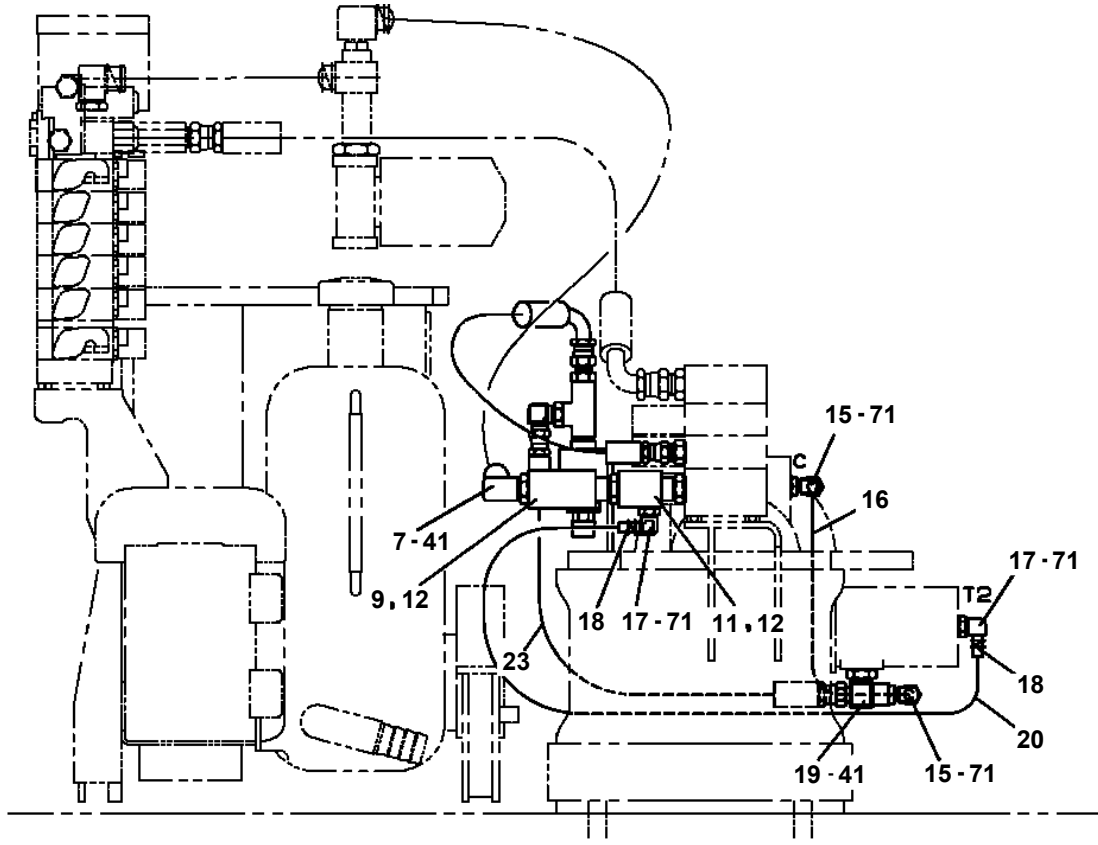
TM-ZE260 41008501215A FRAME/HOOK-IN

Pos No.	Parts No	Parts Name	Qty	Unit	Technical Data	Serial No (Start)	Serial No (End)	Remarks
1	31310237510	GEAR,SPUR	1					
2	31310005010	PIN	2					
3	31310647520	DRUM	1					
4	80516006306	BEARING,BALL	1					
5	80516006206	BEARING,BALL	1					
6	31310617520	BOLT,HEXAGON SOCKET	4		M10X25			
7	90302041001	WASHER,SPRING	4		10			
20	31310641000	DRUM,WINCH (HARTYS)	1					

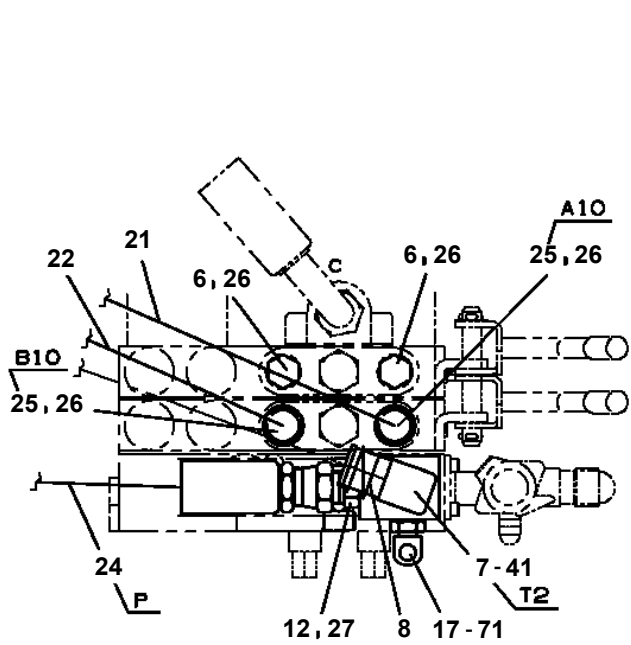
TM-ZE260 41008501215A FRAME/HOOK-IN

Pos No.	Parts No	Parts Name	Qty	Unit	Technical Data	Serial No (Start)	Serial No (End)
1	(*****)	HOOK	1				
2	(*****)	PLATE ASSY,NAME (1-PART LINE OPE.)	1				
3	(*****)	DETECTOR,OVER WINDING	1				

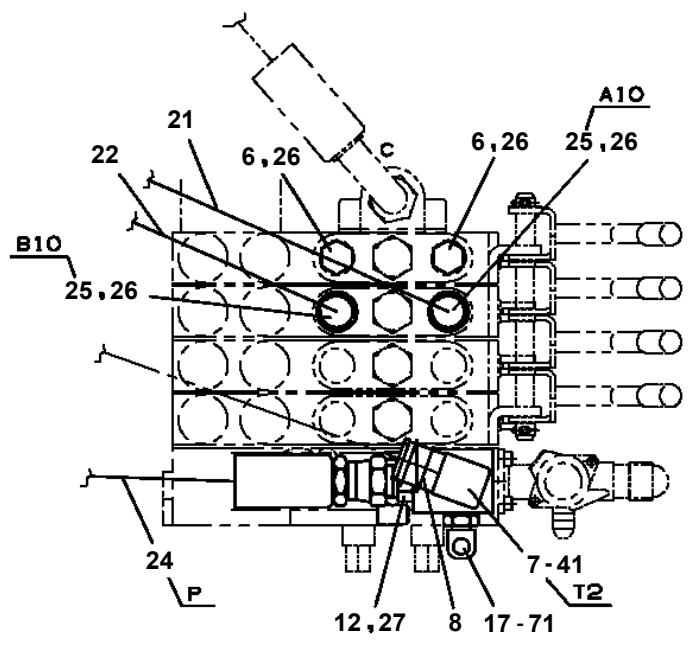
TM-ZE260 41008501215A FRAME/HOOK-IN
 PF1200456-00 PIPING,WINCH



A



(2連バルブの場合、セルフウインチ)



(4連バルブの場合、セルフウインチ、リヤアウトリガ)

E

TM-ZE260 41008501215A FRAME/HOOK-IN

Pos No.	Parts No	Parts Name	Qty	Unit	Technical Data	Serial No (Start)	Serial No (End)
1	(*****)	OUTRIGGER,REAR (FRAME)	1				
2	(*****)	LOCK ASSY (REAR OUTRIGGER)	1				
3	(*****)	CYLINDER,JACK (REAR OUTRIGGER)	2				
4	(*****)	PIPING,REAR JACK (2,ROTARY)	1				
100	31624970000	FRAME ASSY (R/O:WITH LOCK ASSY)	1				

TM-ZE260 41008501215A FRAME/HOOK-IN

Pos No.	Parts No	Parts Name	Qty	Unit	Technical Data	Serial No (Start)	Serial No (End)	Remarks	Pages
1	31657180100	HARNESS	1						

TM-ZE260 41008501215A FRAME/HOOK-IN

Pos No.	Parts No	Parts Name	Qty	Unit	Technical Data	Serial No (Start)	Serial No (End)	Remarks	Pages
1	31656370100	HARNESS	1						

TM-ZE260 41008501215A FRAME/HOOK-IN

Pos No.	Parts No	Parts Name	Qty	Unit	Technical Data	Serial No (Start)	Serial No (End)	Remarks	Pages
1	36806845100	HARNESS	1						

TM-ZE260 41008501215A FRAME/HOOK-IN

Pos No.	Parts No	Parts Name	Qty	Unit	Technical Data	Serial No (Start)	Serial No (End)	Remarks	Pages
1	31350700300	HARNESS (L=50)	1						

TM-ZE260 41008501215A FRAME/HOOK-IN

Pos No.	Parts No	Parts Name	Qty	Unit	Technical Data	Serial No (Start)	Serial No (End)	Remarks	Pages
40	82182809623	DIODE	1						
100	31733081100	HARNESS	1						

CLICK HERE TO **DOWNLOAD** THE COMPLETE MANUAL

- Thank you very much for reading the preview of the manual.
- You can download the complete manual from: www.heydownloads.com by clicking the link below



- Please note: If there is no response to CLICKING the link, please download this PDF first and then click on it.

CLICK HERE TO **DOWNLOAD** THE COMPLETE MANUAL

TM-ZE260 41008501215A FRAME/HOOK-IN

Pos No.	Parts No	Parts Name	Qty	Unit	Technical Data	Serial No (Start)	Serial No (End)	Remarks	Pages
13	82100001837	FUSE	1		5A				
100	31505122100	HARNESS	1						

TM-ZE260 41008501215A FRAME/HOOK-IN

Pos No.	Parts No	Parts Name	Qty	Unit	Technical Data	Serial No (Start)	Serial No (End)	Remarks	Pages
1	31361312100	HARNESS	1						

TM-ZE260 41008501215A FRAME/HOOK-IN

Pos No.	Parts No	Parts Name	Qty	Unit	Technical Data	Serial No (Start)	Serial No (End)	Remarks	Pages
1	31502172101	HARNESS	1						

TM-ZE260 41008501215A FRAME/HOOK-IN

Pos No.	Parts No	Parts Name	Qty	Unit	Technical Data	Serial No (Start)	Serial No (End)	Rema
13	36662185010	KEY (FEATHER)	1					
40	36662415020	SEAL KIT	1					
50	36663100000	MOTOR,HYDRAULIC (WINCH)	1					

TM-ZE260 41008501215A FRAME/HOOK-IN

Pos No.	Parts No	Parts Name	Qty	Unit	Technical Data	Serial No (Start)	Serial No (End)	Remarks	Pa
2	91002801400	O-RING	2		1B P14				
6	91002800700	O-RING	1		1B P7				
50	36623930000	VALVE,PILOT CHECK	1						

TM-ZE260 41008501215A FRAME/HOOK-IN

Pos No.	Parts No	Parts Name	Qty	Unit	Technical Data	Serial No (Start)	Serial N
1	36683870001	METER,LOAD (2.6TON NAGANO/JAPANESE)	1				

TM-ZE260 41008501215A FRAME/HOOK-IN

Pos No.	Parts No	Parts Name	Qty	Unit	Technical Data	Serial No (Start)	Serial No (End)	Remarks	Pa
1	31631121100	BODY	1						
2	31631781201	CORE	1						
3	91531208000	PACKING	2						
4	91100308000	RING,SEAL	7						
5	31631803000	RING ASSY,SLIP	1						000
6	90180208016	BOLT,BUTTON	2		M8X16				
7	90302040801	WASHER,SPRING	6		8				
8	90102208035	BOLT	4		M8X35				
9	90303070801	WASHER,PLAIN	6		8				
10	90302041001	WASHER,SPRING	4		10				
11	82114203020	CONNECTOR (CAP)	1						
12	82121502020	PLATE	1						
13	82114203030	CONNECTOR (CAP)	1						
14	82121502030	PLATE	1						
15	31631871100	SUPPORT	1						
16	90171110016	BOLT	4		M10X16				
17	82100002855	CAP	2						
50	31631971001	JOINT ASSY,SWIVEL	1						

TM-ZE260 41008501215A FRAME/HOOK-IN

Pos No.	Parts No	Parts Name	Qty	Unit	Technical Data	Serial No (Start)	Serial No (End)	Remarks	Pages
1	31270651100	COVER	1						
2	90186208014	BOLT,FLANGE	4		M8X14				
3	31270651200	COVER	1						

TM-ZE260 41008501215A FRAME/HOOK-IN

Pos No.	Parts No	Parts Name	Qty	Unit	Technical Data	Serial No (Start)	Serial No (End)	Remarks	Pages
1	31323144200	SUPPORT	1						
2	31323144300	LINK	1						
3	37000311490	SPACER	1		L=20				
4	31322224200	PLATE	1		L=1				
5	90303071201	WASHER,PLAIN	1		12				
6	80136840020	PIN,SPLIT	1		4X20				
8	37001300530	SPRING	1						
9	90186208016	BOLT,FLANGE	1		M8X16				
10	90101210020	BOLT	1		M10X20				
11	90303071001	WASHER,PLAIN	1		10				
12	90201201000	NUT	1		M10				
13	90302041001	WASHER,SPRING	1		10				
14	31322490100	PLATE	1						

TM-ZE260 41008501215A FRAME/HOOK-IN

Pos No.	Parts No	Parts Name	Qty	Unit	Technical Data	Serial No (Start)	Serial No (End)
1	(*****)	ELEC.ASSY (FRAME)	1				
2	(*****)	ELEC.ASSY (UPPER/WORKING LAMP)	1				
3	(*****)	SUPPORT ASSY (PANEL SWITCH)	1				

TM-ZE260 41008501215A FRAME/HOOK-IN

Pos No.	Parts No	Parts Name	Qty	Unit	Technical Data	Serial No (Start)	Serial No (End)
1	(*****)	ELEC.ASSY (FRAME)	1				
2	(*****)	ELEC.ASSY (POST)	1				
3	(*****)	ELEC.ASSY (UPPER/WORKING LAMP)	1				

TM-ZE260 41008501215A FRAME/HOOK-IN

Pos No.	Parts No	Parts Name	Qty	Unit	Technical Data	Serial No (Start)	Serial No (End)	Remarks
1	31504290201	SPACER	1					
2	31201565200	PIN	1					
3	31202515700	LINK	1					
50	31504290000	LINK ASSY (ZE253,263,293)	1					

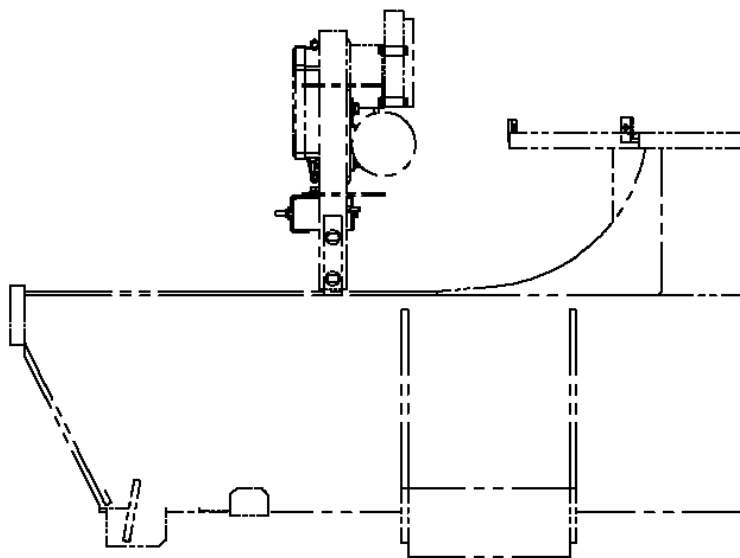
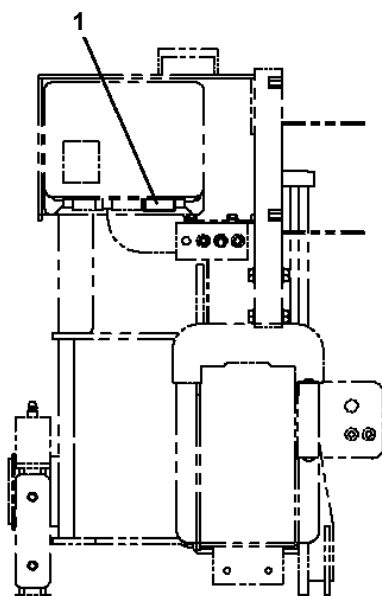
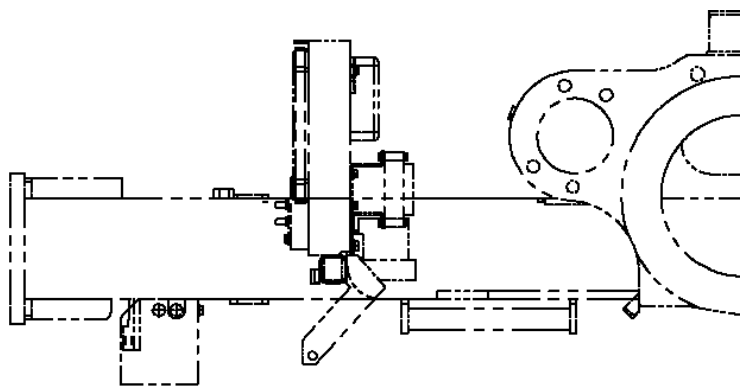
TM-ZE260 41008501215A FRAME/HOOK-IN

Pos No.	Parts No	Parts Name	Qty	Unit	Technical Data	Serial No (Start)	Serial No (End)	F
1	(*****)	ELEC.ASSY (OUTRIGGER HARNESS)	1					
2	(*****)	PIPING,OUTRIGGER	1					
6	(*****)	PLATE ASSY,NAME (INTERLOCK)	1					
7	(*****)	COVER (O/R HARNESS PROTECT)	1					

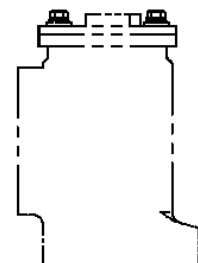
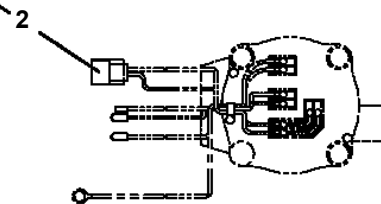
TM-ZE260 41008501215A FRAME/HOOK-IN

Pos No.	Parts No	Parts Name	Qty	Unit	Technical Data	Serial No (Start)	Serial No (End)	Remarks	P
1	36662355010	SHAFT	1						
2	80500006205	BEARING,BALL	1						
4	91001004800	O-RING	1		S48				
5	36661915020	HOLDER (OIL SEAL)	1						
6	91252102500	SEAL,OIL	1						
7	36661915030	PLATE (HOLDER)	1						
8	36662255070	RING,RETAINING	1		R52				
9	36662355030	RETAINER	1						
10	36662355040	PLATE (CAM)	1						
11	36660275010	BEARING,THRUST	1						
12	36663985010	PLATE,THRUST	1						
13	36663985020	SPRING	1						
14	36662355071	BARREL,CYLINDER	1						
15	36663985030	COVER,END	1						
16	36663985040	BEARING,NEEDLE	1						
17	36662355110	PIN	2						
18	91001008500	O-RING	1		S-85				
19	36662355120	PLATE	1						
20	36663985050	BOLT (M8X30)	6						
21	36644115130	PLUG	1						
22	91001101100	O-RING	1		1A P11				
24	36663985060	SCREW	2						
25	12413305020	KEY	1						
26	80316030020	PLUG	1		PT1/8				
27	36660125060	PLUG	2		PF3/8				
28	91001102201	O-RING	1		1A P22A				
30	36663955070	PISTON (LOCK)	1						
31	91001101800	O-RING	1		1A P18				
32	91410001800	RING,BACKUP	1		P18				
33	36663955080	SPRING (LOCK)	1						
34	36663955090	CAP (LOCK)	1						
35	36081315130	PROTECTOR (THREAD)	1						
40	36663985070	HOUSING	1						
63	36662355080	SPRING (PLUNGER)	7						
65	36662355090	SPRING (CENTER)	1						
66	12413305490	RING,RETAINING	1						
67	36663985080	BALL,STEEL (15/32)	7						
100	36663980000	MOTOR,OIL	1						

TM-ZE260 41008501215A FRAME/HOOK-IN
PN1014579-01 ELEC.ASSY (PLUG:FRAME/INTERLOCK)

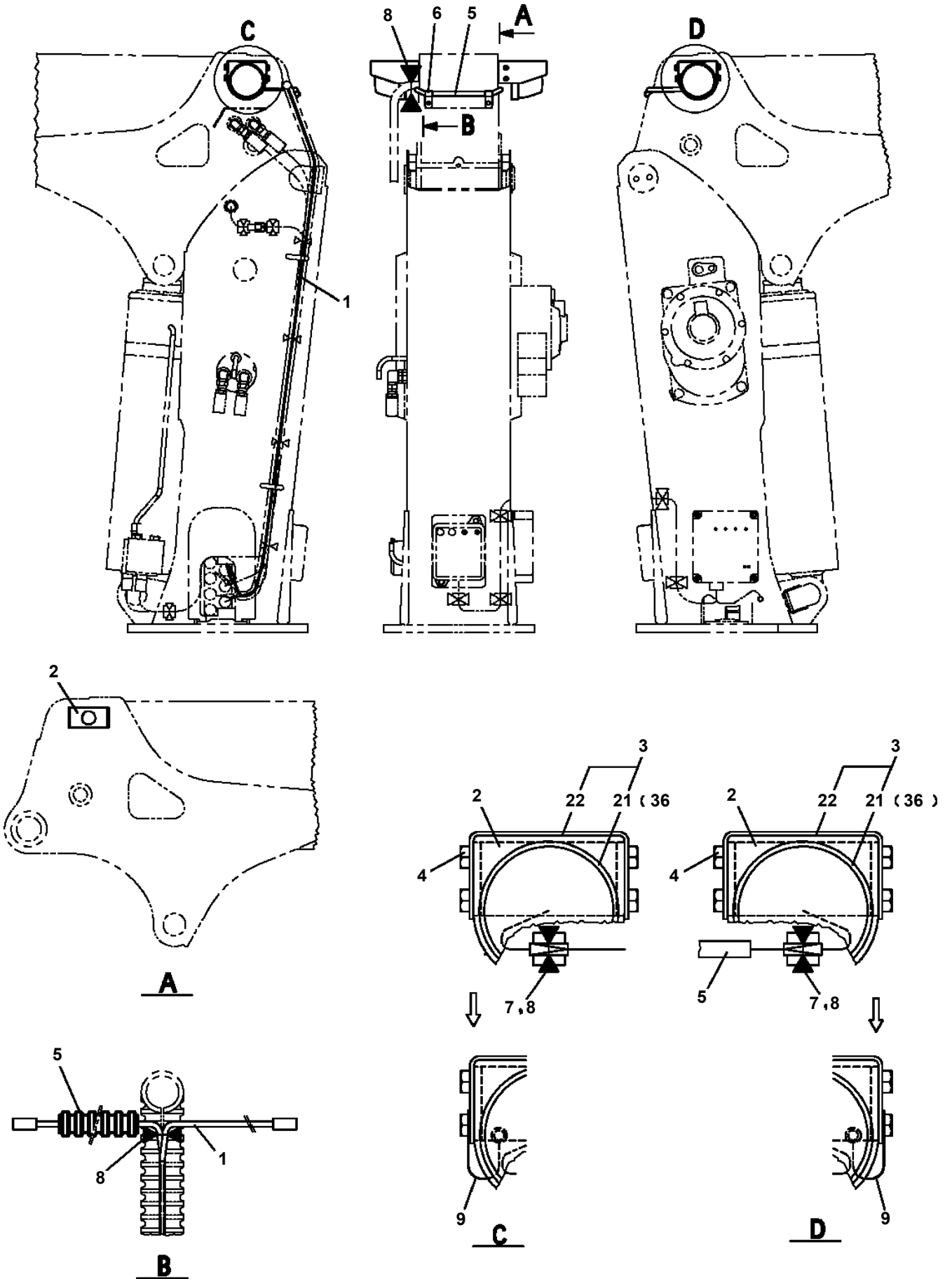


センタージョイントに接続後フレーム内に収める事
AFTER CONNECTING THEM TO THE CENTER JOINT,
PUT THEM INSIDE THE FRAME.



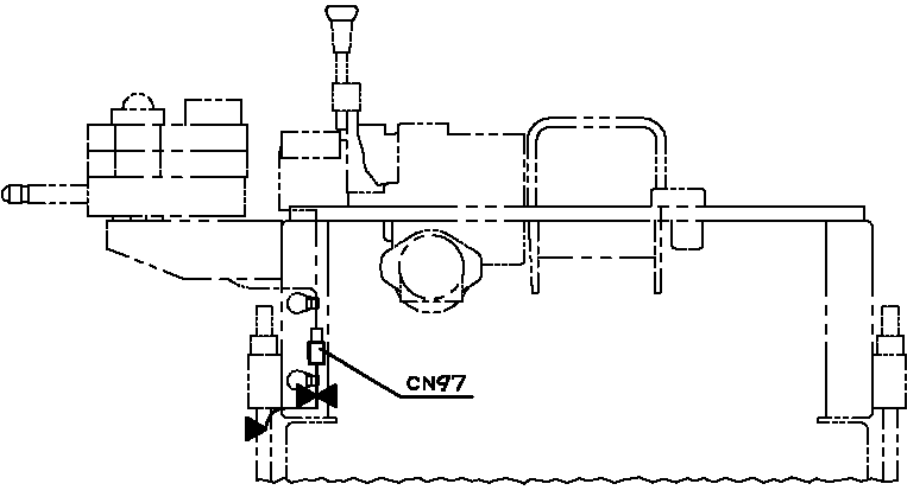
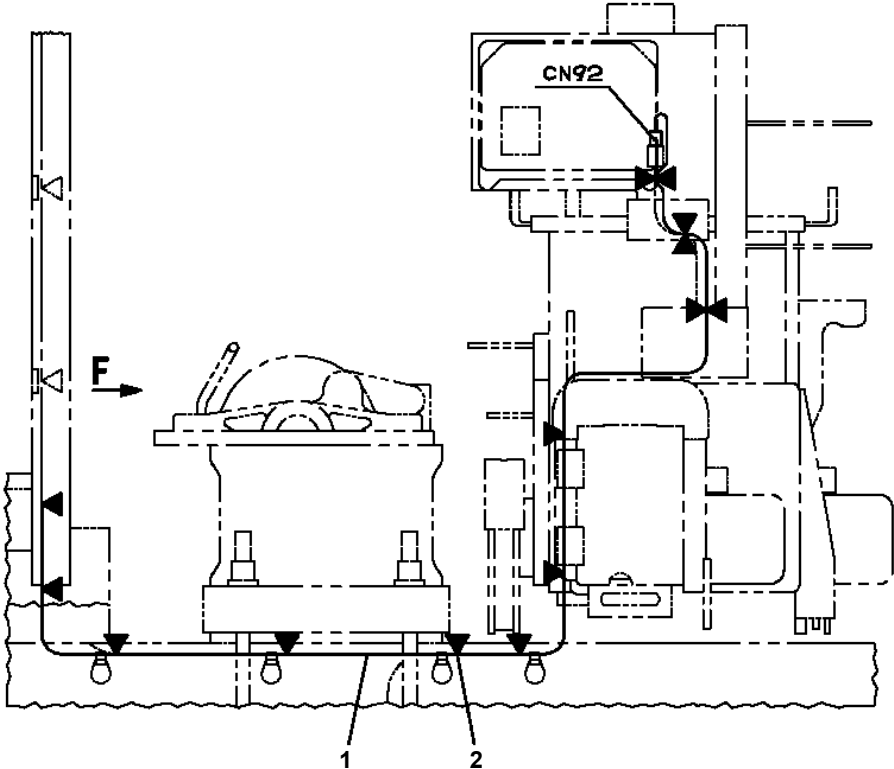
JOINT, ROTARY

**TM-ZE260 41008501215A FRAME/HOOK-IN
PN1014758-03 ELEC.ASSY (LAMP)**



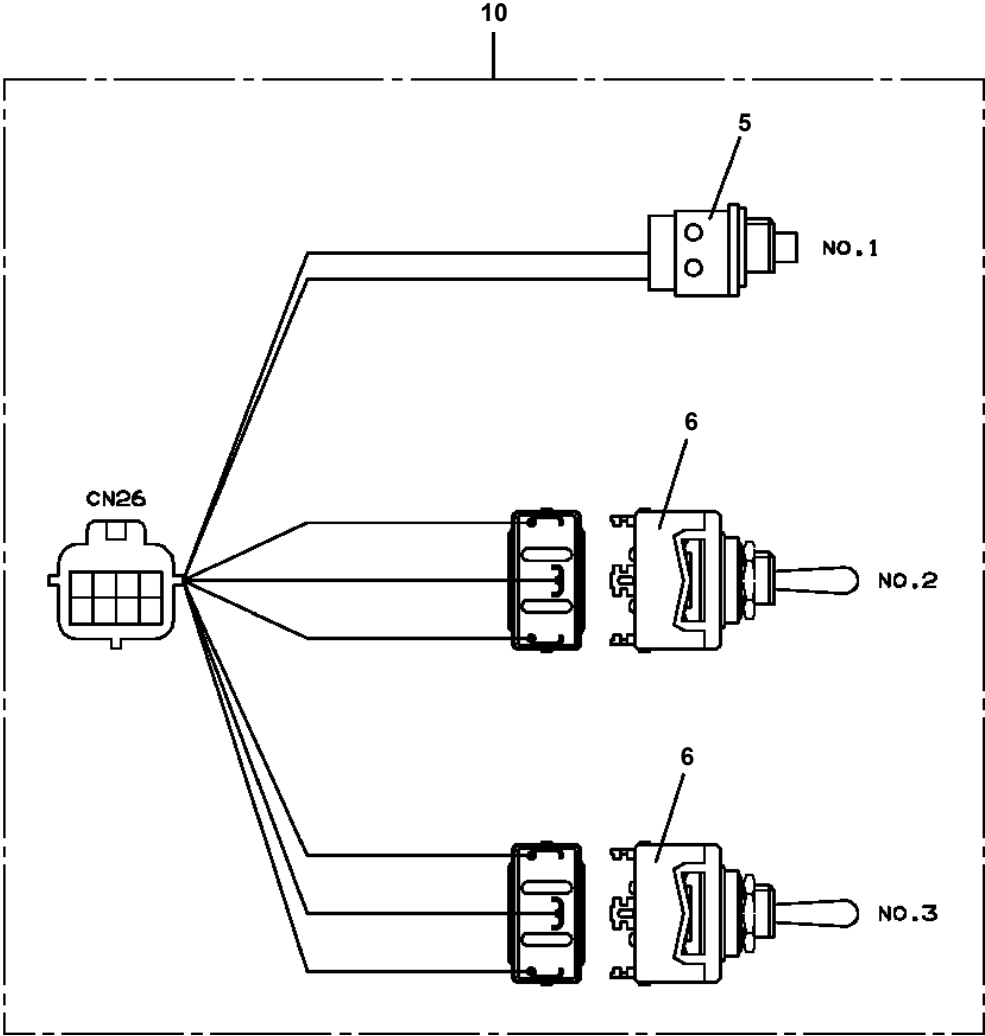
TM-ZE260 41008501215A FRAME/HOOK-IN
PN1014986-00 ELEC.ASSY (HARNESS:FOR CONNECTING MAIN HARNESS)

→ FRONT

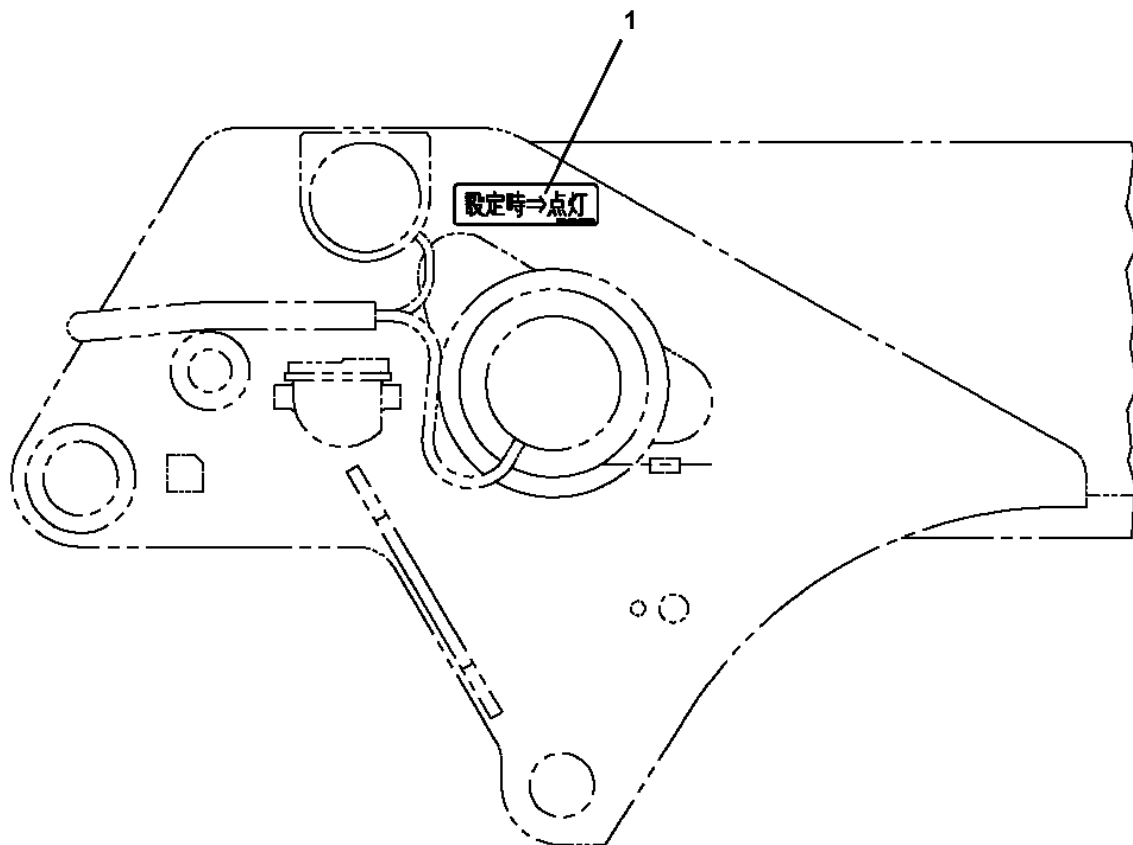


F

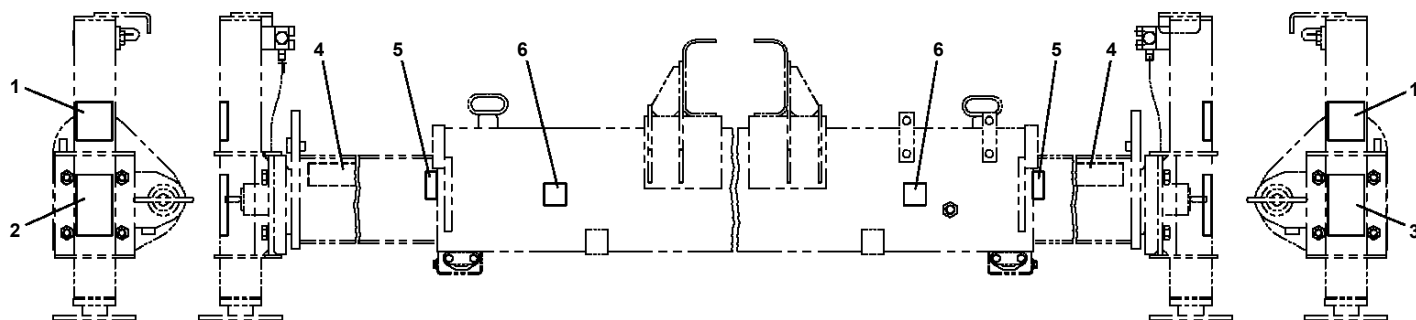
**TM-ZE260 41008501215A FRAME/HOOK-IN
PN1140208-01 SWITCH ASSY (WITH HARNESS/PANASONIC)**



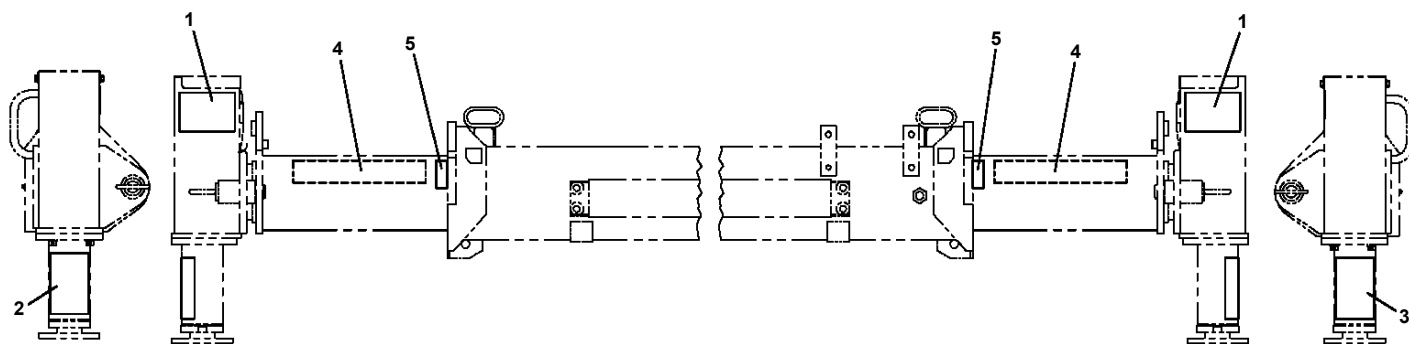
TM-ZE260 41008501215A FRAME/HOOK-IN
PN5010239-00 NAME PLATE ASSY



**TM-ZE260 41008501215A FRAME/HOOK-IN
PN5010645-01 NAME PLATE ASSY (REAR JACK)**



リヤジャッキ/車両後方より見る
ZE300, ZE360



リヤジャッキ/車両後方より見る
最大張出状態を示す
ZE250/260/290

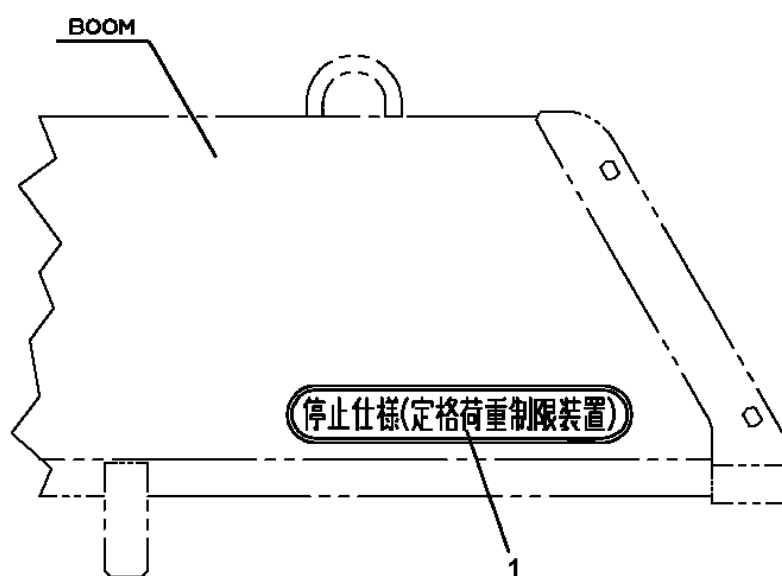
TM-ZE260 41008501215A FRAME/HOOK-IN

Pos No.	Parts No	Parts Name	Qty	Unit	Technical Data	Serial No (Start)	Serial No (End)
1	(*****)	NAME PLATE ASSY (CONT.:USL,HR)	1				
2	(*****)	NAME PLATE ASSY (PANEL UPPER)	1				
3	(*****)	NAME PLATE ASSY (PANEL LOWER)	1				
4	(*****)	NAME PLATE ASSY (TANK OIL)	1				
5	(*****)	PLATE ASSY,NAME (HOOK)	1				
6	(*****)	NAME PLATE ASSY (CONT.,O/R,CAUTION)	1				

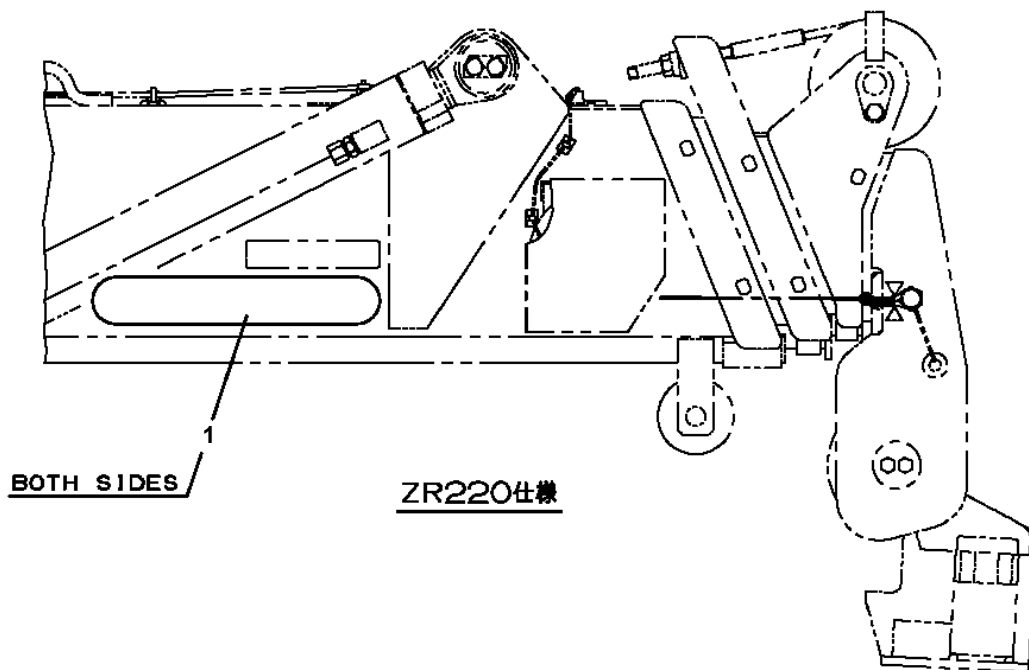
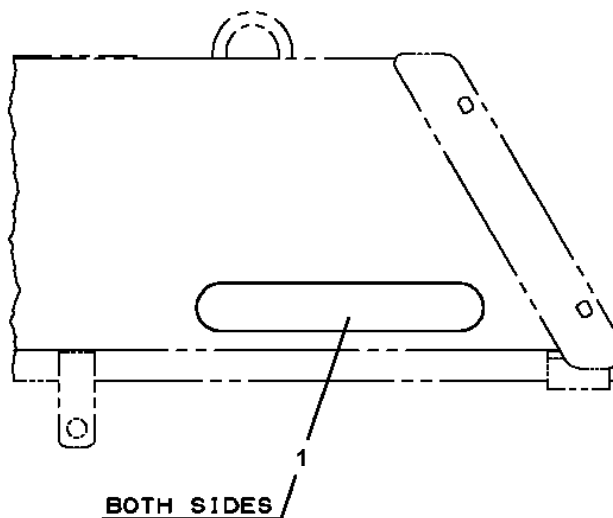
TM-ZE260 41008501215A FRAME/HOOK-IN

Pos No.	Parts No	Parts Name	Qty	Unit	Technical Data	Serial No (Start)	Serial No (End)	Remarks	Pages
1	37002227620	PLATE,NAME	1						
2	37002227630	PLATE,NAME	1						
3	37002227640	PLATE,NAME	1						
4	37002227650	PLATE,NAME	2						
5	37002233550	PLATE,NAME	2						
7	37002227660	PLATE,NAME	1						
8	37002227670	PLATE,NAME	1						
9	37002227680	PLATE,NAME	1						

TM-ZE260 41008501215A FRAME/HOOK-IN
PN5011947-02 NAME PLATE ASSY



TM-ZE260 41008501215A FRAME/HOOK-IN
PO1014592-03 PLATE ASSY,NAME

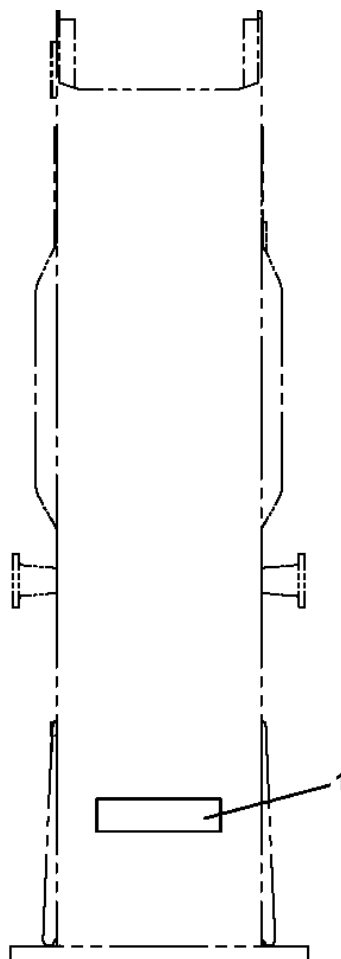


1材プレート、ネーム貼付位置は参考です

ブーム段数参考


THE BOOM SECTIONS IN THE ILLUSTRATION ARE FOR REFERENCE.

TM-ZE260 41008501215A FRAME/HOOK-IN
PO1015095-01 PLATE ASSY,NAME (WINCH CONTROL)

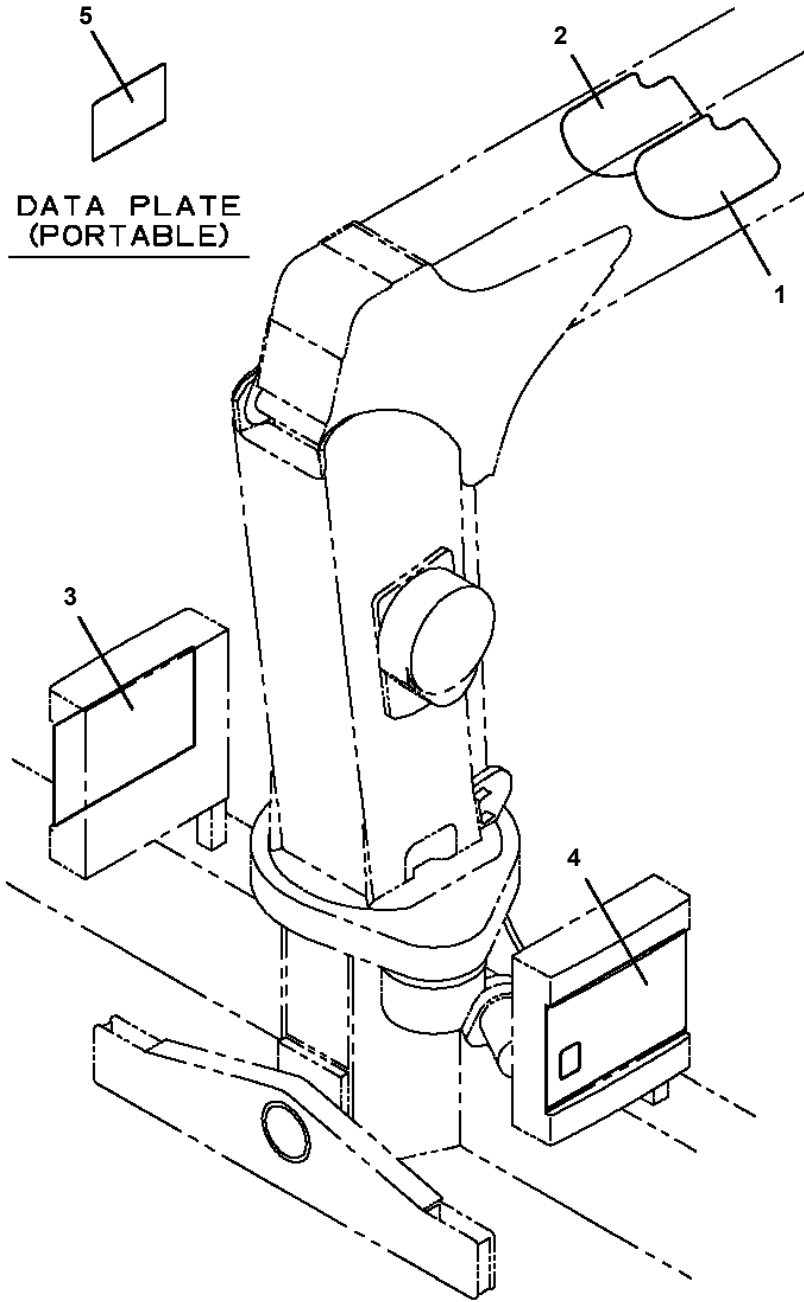


ポスト背面から見る

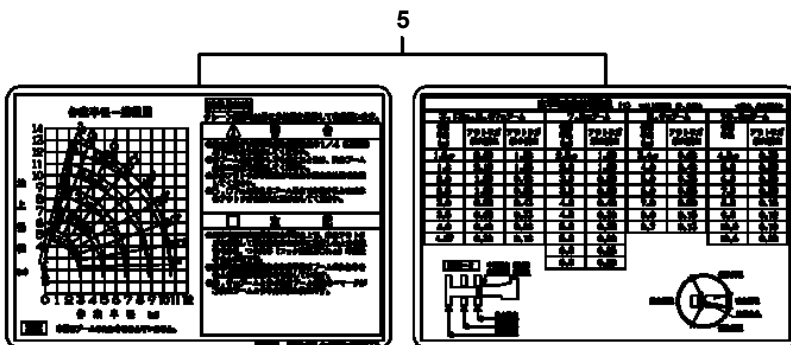
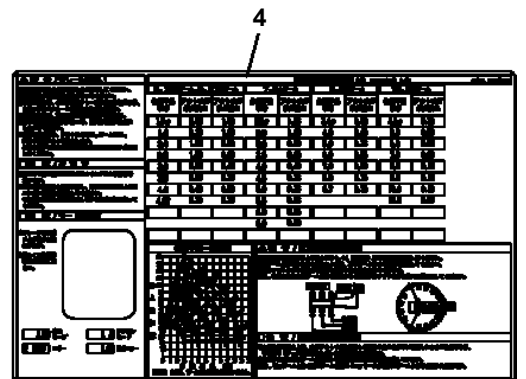
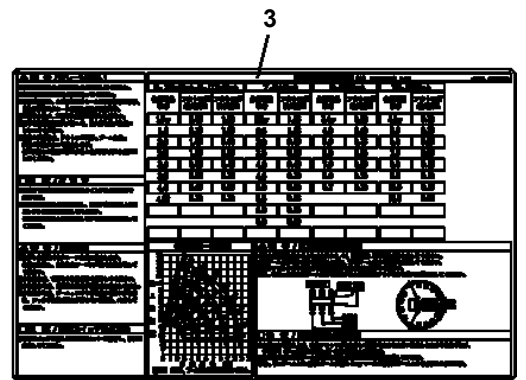
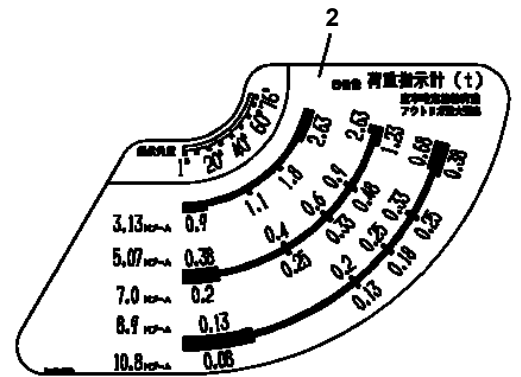
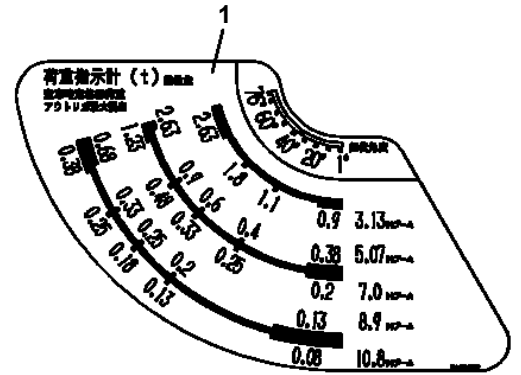
1

	注 意 / ウインチ操作について
● 単索フック使用時のウインチ操作は、安全のため 中速以下で行って下さい。	
S15-014-44100	

TM-ZE260 41008501215A FRAME/HOOK-IN
 PO1071175-01 PERFORMANCE DATA (265SL,B)



DATA PLATE
(PORTABLE)



TM-ZE260 41008501215A FRAME/HOOK-IN

Pos No.	Parts No	Parts Name	Qty	Unit	Technical Data	Serial No (Start)	Serial No (End)	Remark
2	90303071001	WASHER,PLAIN	4		10			
3	90171110018	BOLT	4		M10X18			
4	31324992000	ROD	1					
5	31324993000	ROD	1					
7	31325740400	LEVER	1					
9	31325740200	LEVER	1					
11	31324860701	KNOB (RED)	1					
12	31324860801	KNOB (BLACK)	6					
14	37000164930	PIN	1					
15	80136840020	PIN,SPLIT	1		4X20			
16	37000105040	PIN	11					
17	80650100030	RING,RETAINING	17					
18	37000105050	PIN	6					
20	90302041001	WASHER,SPRING	4		10			
21	31325800300	LEVER	1					
23	90309331205	WASHER,CONICAL SPRING	4		L12			
24	31325800500	ROD ASSY	1					
25	31325800200	LEVER	1					
26	31325800400	LEVER	1					
27	31325800600	FORK	1					
28	31320810210	END	2					
29	90202200800	NUT	3		M8			
30	80567000004	END	1					
31	90172108040	BOLT,HEXAGON SOCKET	1		M8X40			
32	90101212080	BOLT	2		M12X80			
33	37000311600	SPACER	1		L=50			
34	90202201200	NUT	3		M12			
35	31325800100	ROD ASSY	1					
36	31322224200	PLATE	4		L=1			
37	37000162910	PIN	4					
38	80620210050	PIN,SNAP	4					
39	37000308580	SPACER	2		L=20			
40	90303070801	WASHER,PLAIN	4		8			
41	31311210301	SPACER	1		L=6			
42	90101212110	BOLT	1		M12X110			
61	31325741101	SUPPORT	1					
62	31325740400	LEVER	1					
66	31324860701	KNOB (RED)	1					
67	31324860801	KNOB (BLACK)	4					
68	37010100380	PIN	1					
69	80136840020	PIN,SPLIT	1		4X20			
70	31322224200	PLATE	5		L=1			
71	37000311190	SPACER	1		L=16			
72	31325800300	LEVER	1					
74	37000311490	SPACER	1		L=20			
75	37000314260	SPACER	1		L=32			

TM-ZE260 41008501215A FRAME/HOOK-IN

Pos No.	Parts No	Parts Name	Qty	Unit	Technical Data	Serial No (Start)	Serial No (End)
1	31625090000	FRAME ASSY	1				
3	(*****)	ELEC.ASSY (FOR REAR OUTRIGGER)	1				
4	(*****)	OPE.ASSY,CONT.VALVE (REMOCON)	1				
5	(*****)	NAME PLATE ASSY (REAR JACK)	1				
11	(*****)	OUTRIGGER,REAR (FRAME)	1				
12	(*****)	LOCK ASSY	1				
21	(*****)	PIPING,REAR JACK	1				
22	36740850000	VALVE,REMOTE CONTROL	1				
23	(*****)	PIPING ASSY	1				

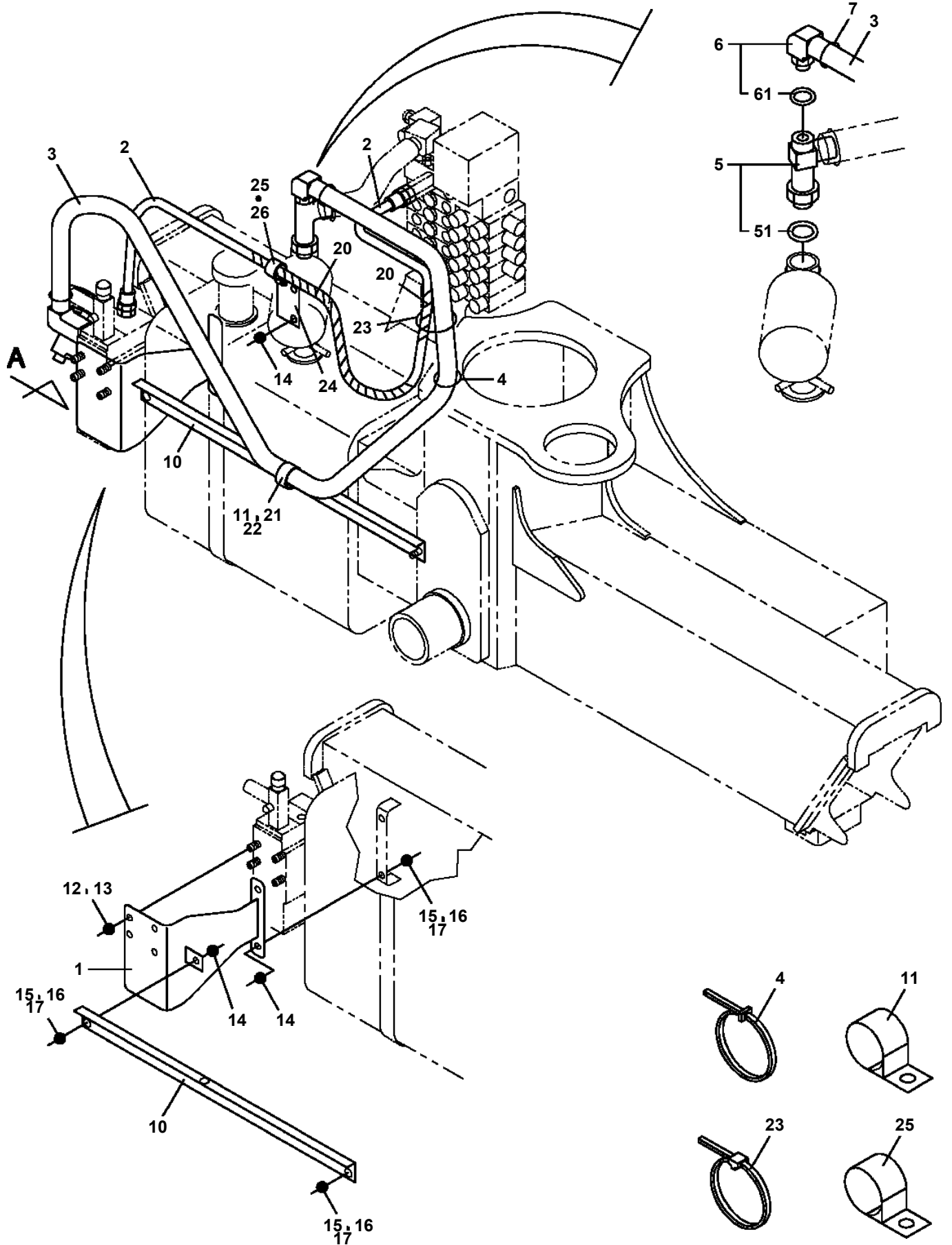
TM-ZE260 41008501215A FRAME/HOOK-IN

Pos No.	Parts No	Parts Name	Qty	Unit	Technical Data	Serial No
1	(*****)	ELEC.ASSY (FRAME)	1			
3	(*****)	RING ASSY,SLIP (CJ NUMBER OF THE ELECTRODES KIT)	1			
4	(*****)	LAMP ASSY (PANEL LAMP)	2			
5	(*****)	ELEC.ASSY (WEARING CONNECTOR FOR CN85/SUB HARNESS)	1			
6	(*****)	ELEC.ASSY (POST:RELAY ASSY)	1			
7	(*****)	ELEC.ASSY (POST)	1			
8	(*****)	NAME PLATE ASSY	1			
9	(*****)	ELEC.ASSY (BOOM/DETECTOR ASSY)	1			
11	(*****)	ELEC.ASSY (LAMP)	1			
13	(*****)	NAME PLATE ASSY (PANEL UPPER)	1			
14	(*****)	NAME PLATE ASSY (BOOM & CONTROL UNIT PANEL)	1			

TM-ZE260 41008501215A FRAME/HOOK-IN

Pos No.	Parts No	Parts Name	Qty	Unit	Technical Data	Serial No (Start)	Serial No (End)	Remarks	Pages
1	31231820100	POST	1						
2	37000205480	PIN	1						
	37000203090	PIN	1						
3	80136363071	PIN,SPLIT	1		6.3X71				
4	37000209220	PIN	1						
5	31230592000	COVER	1						
6	37000539450	PLATE	1		T=1.5				
7	90101210016	BOLT	2		M10X16				
8	82400000459	CAP	1						
9	82458102000	NIPPLE,GREASE	1		B-PT1/8				
41	31230580220	SUPPORT	2						

**TM-ZE260 41008501215A FRAME/HOOK-IN
PP6010296-00 PIPING ASSY**



TM-ZE260 41008501215A FRAME/HOOK-IN

Pos No.	Parts No	Parts Name	Qty	Unit	Technical Data	Serial No (Start)	Serial No (End)	Remarks
1	31631802000	RING ASSY,SLIP	1					
2	90180208016	BOLT,BUTTON	2		M8X16			
3	90302040801	WASHER,SPRING	6		8			
4	90102208035	BOLT	4		M8X35			
5	90303070801	WASHER,PLAIN	6		8			
6	82114203020	CONNECTOR (CAP)	1					
7	82121502020	PLATE	1					
8	82114203030	CONNECTOR (CAP)	1					
9	82121502030	PLATE	1					
10	82100002855	CAP	2					
11	82114203040	CONNECTOR (CAP)	1					
12	82121502040	PLATE	1					
13	31652991700	PLUG (4-POLES,FEMALE)	1					

TM-ZE260 41008501215A FRAME/HOOK-IN

Pos No.	Parts No	Parts Name	Qty	Unit	Technical Data	Serial No (Start)	Serial No (End)	Remarks	Pages
1	31632031000	PLATE	1						

TM-ZE260 41008501215A FRAME/HOOK-IN

Pos No.	Parts No	Parts Name	Qty	Unit	Technical Data	Serial No (Start)	Seri
1	31653243100	SUPPORT	1				
2	31658171110	SWITCH ASSY (WITH HARNESS)	1				
3	82197518119	CAP (PLUS ONE MFG./BLACK)	3				
	82197518114	CAP (MATSUSHITA/BLACK)	3				
4	82197600101	CAP (BLACK)	1				
5	31656013111	SWITCH ASSY (WITH HARNESS:PLATING/NACC)	1				
	31656013120	SWITCH ASSY (WITH HARNESS/PANASONIC)	1				
100	31658172000	SWITCH ASSY	1				

TM-ZE260 41008501215A FRAME/HOOK-IN

Pos No.	Parts No	Parts Name	Qty	Unit	Technical Data	Serial No (Start)	Serial N
1	36645585010	BOLT,TIE	1				
2	36636085030	BOLT,TIE (A)	3				
3	90201200800	NUT	9		M8		
4	36740830030	COVER (FRONT)	1				
5	36740755010	BOLT,TIE (B)	1				
6	36740755020	VALVE,CONTROL (JACK)	1				
7	36740755030	VALVE,CONTROL (TELESCOPING)	1				
8	36740745030	VALVE,CONTROL (WINCH)	1				
9	36740745040	VALVE,CONTROL (ELEVATING)	1				
10	36740845010	VALVE,CONTROL (SWING)	1				
11	36740755050	PLATE	1				
12	91002905500	O-RING	1		1B G55		
13	36740755060	VALVE,CONTROL (JACK)	1				
14	36645375030	COVER (BOTTOM)	1				
15	80720104012	PIN,SPRING	1		4X12		
16	36644835061	COVER	1				
17	36740830101	VALVE,RELIEF	1				
18	36645615230	C-BOLT	4		5X12		
19	91001101100	O-RING	3		1A P11		
20	36644115130	PLUG	3				
21	36649075060	CAM	2				
22	36646865110	SCREW,SET	2				
23	36649555080	SWITCH ASSY	1				
24	36647125090	SCREW,MACHINE	2		M2.3X14		
25	36646575070	PLATE	1				
26	36647125100	NUT	2		M2.3		
27	36740745090	COVER	1				
28	36649555130	SCREW,MACHINE	3		M5X8		
29	80172104006	SCREW,MACHINE	2		M4X6		
30	36645405050	BUSH	1				
31	36645405060	TUBE	1				
32	36740745100	LVDT ASSY (1SET=4PCS WITH CONNECTOR)	1				
33	36644015220	SHIM (T=0.2)	8				
34	36644015230	SHIM (T=0.3)	8				
35	36645405110	SHIM (T=1.0)	4				
36	36645405100	BOLT	8		M4X22		
37	36644015120	CONNECTOR	2				
38	36644015130	TUBE	5				
39	11615111410	BAND	12				
40	36649585260	HARNESS	2				
41	36644015110	CONNECTOR	3				
42	36740745110	HARNESS ASSY (SOLENOID)	1				
43	36740785020	TUBE	1				
44	36646865070	CLIP	1				
45	90303070801	WASHER,PLAIN	1		8		
46	90302040801	WASHER,SPRING	1		8		
47	90101208012	BOLT	1		M8X12		
48	36644015080	BOX	1				
49	36644015140	COVER	1				
50	36644015150	URETHANE (ROOL STOCK)	4				
51	36644015070	COVER	1				
52	36645405150	SCREW,MACHINE	4		M3X5		
53	36646865060	FASTENER	2				
54	36647855190	SCREW,MACHINE	2		M5X12		
55	36740765040	BAND	2				
56	36741985040	PLUG	2				
57	36646485040	PLUG	2				
59	36741985050	PLUG	13				
60	36640755070	CAP	5				
64	36740745200	GUARD	1				
81	36740745190	LVDT ASSY (1PC WITHOUT CONNECTOR)	4				
105	80316030020	PLUG	3		PT1/8		
106	36740765060	SPRING	1				

TM-ZE260 41008501215A FRAME/HOOK-IN

Pos No.	Parts No	Parts Name	Qty	Unit	Technical Data	Serial No (Start)	Serial No (End)	Remark
1	36062745010	BODY	1					
2	36062825010	ROD ASSY	1					
3	36062745030	SPRING (A)	1					
4	36062745040	SPRING (B)	1					
5	36062745050	COVER (SEAL)	1					
6	80602110380	RING,RITAINING	1		R38			
7	36648375020	BALL,STEEL	9		3/16			
8	36648375030	BALL,STEEL	5		5/32			
9	91001101400	O-RING	2		1A P14			
10	91001102800	O-RING	1		1A P28			
11	91001003200	O-RING	1		1A S32			
12	91001003150	O-RING	1		1A S31.5			
13	91001002200	O-RING	2		S22			
14	91650001400	SCRAPER	2					
15	36062445011	LVDT ASSY (A/WITH CORE,)	1					
16	36644015220	SHIM (T=0.2)	2					
17	36644015230	SHIM (T=0.3)	2					
18	36062745060	FLANGE	1					
19	80172105008	SCREW,MACHINE	2		M5X8			
21	36062635050	TUBE,CORRUGATE	1		10			
22	80172104010	SCREW,MACHINE	5		M4X10			
25	36081315130	PROTECTOR (THREAD)	2					
27	36645405100	BOLT	2		M4X22			
28	36062635030	FASTENER	1					
29	90303070401	WASHER,PLAIN	1		4			
30	36645405110	SHIM (T=1.0)	1					
31	36062745090	VALVE ASSY,SOLENOID	1					
100	36062820000	CYLINDER,ACCELERATOR	1					

TM-ZE260 41008501215A FRAME/HOOK-IN

Pos No.	Parts No	Parts Name	Qty	Unit	Technical Data	Serial No (Start)	Serial No (End)	R
214	36646265090	SPRING (B)	1					
215	36646265080	SPRING (A)	1					
216	36645615210	PLUG	1		24			
217	80316030060	PLUG	1		PT3/8			
220	90303070401	WASHER,PLAIN	1		4			
304	36646875150	ORIFICE	1		M3			
305	91002800700	O-RING	1		1B P7			
308	36647175100	SEAT,SPRING	1					
309	36635735120	SPRING	1					
310	12635101130	SCREW (ADJUSTING)	1					
311	11629431040	PACKING	2					
312	36646575090	NUT	1					
313	36630195030	NUT,CAP	1					
314	91001102200	O-RING	1		1A P22			
315	12635101110	SPRING (RETURN)	1					
318	91002802100	O-RING	1		1B P21			
319	36646865160	SEAT,SPRING	1					
320	36635735140	SPRING (B)	1					
321	36635735130	SPRING (A)	1					
322	91001001800	O-RING	2		S18			
323	36646865150	COVER (FOR SOLENOID)	1					
324	80172304010	SCREW,MACHINE	4		M4X10			
325	36646865170	ROD,PUSH	1		8			
326	36740765070	SOLENOID ASSY	1					
327	36640735130	PLUG	1		M6			
328	36642065070	WASHER,SEAL	2					
329	90203200600	NUT	1		M6			
330	36640735140	NUT,CAP	1		M6			
331	36640625680	TUBE (SEAL)	1					
332	16623320390	TUBE (SEAL)	1					
500	36742960000	VALVE ASSY,REMOTE CONTROL	1					

TM-ZE260 41008501215A FRAME/HOOK-IN

Pos No.	Parts No	Parts Name	Qty	Unit	Technical Data	Serial No (
1	36742960000	VALVE ASSY,REMOTE CONTROL	1			
2	(*****)	PIPING (OPTION VALVE-MAIN VALVE)	1			
3	(*****)	PIPING (WINCHLESS/PLUG:CARRYOVER VALVE)	1			
5	31292491000	ROPE ASSY (WITH HOOK)	1			
8	(*****)	OPE.ASSY,CONT.VALVE (REMOCON)	1			
10	(*****)	ELEC.ASSY (SELF WINCH)	1			
11	(*****)	ELEC.ASSY (HARNESS:FOR CONNECTING MAIN HARNESS)	1			

TM-ZE260 41008501215A FRAME/HOOK-IN
PY2000257-14 OPTION UNIT,2 (COMMON)

指示番号 KEY NO.	部品名称 PART NAME	備考 REMARK
19	ランプ ASSY LAMP ASSY	高さ制限/ランプ
20	ハイセンASSY ELEC. ASSY	作業灯2灯取付用配線
21	ハイセンASSY ELEC. ASSY	格納忘れ警報装置取付用配線 (パーキング・PTO 12V信号車用)
22	ハイセンASSY ELEC. ASSY	ダンプ併用架装旋回方向検出装置 (HRE・HRES用)
23	ハイセンASSY ELEC. ASSY	ダンプ併用架装旋回方向検出装置 (M・MH・H・R・HR用)
24	ハイセンASSY ELEC. ASSY	旋回範囲制限 (ZE260/290HRE用) 適用号機 ~#LA7510 ~#ET4862
31	ハーツASSY, ラジコン PARTS ASSY, RADIO CONTROLLER	既納車ラジコン (H用)
32	ハーツASSY, ラジコン PARTS ASSY, RADIO CONTROLLER	既納車ラジコン (HU用)
33	カイツウASSY MODIFICATION ASSY	敷板入れ、脱落防止装置付き レンタル向 (太陽建機レンタルを除く) ↓ 敷板入れ (ホイールベース間取付用) (□355×t80敷板用)
34	サポート SUPPORT	敷板入れ、太陽建機レンタル向 日野小型車の東洋ポデー製ポデー及び日野中型車用
35	サポート SUPPORT	敷板入れ、太陽建機レンタル向 日野小型車の日野内作ポデー用
36	チャージヤ, ハーツテリ CHARGER, BATTERY	充電器 (ニッケル水素電池8個含)
37	ネームプレートASSY NAME PLATE ASSY	高さ制限ランプ点灯条件変更銘板
38	リングASSY, スリツプ RING ASSY, SLIP	CJ電極敷増設キット
39	パワーサプライ POWER SUPPLY	AC100V電源取出し (1500W)
40	オペ. ASSY, ソウサバルブ OPE. ASSY, CONT. VALVE	U社配列交換キット

適用製造番号によっては取り付けがないものもあります。

MACHINES OF SOME SERIAL NO. ARE NOT EQUIPPED WITH THESE PARTS.

**TM-ZE260 41008501215A FRAME/HOOK-IN
PY5020132-00 ACCESSORIES ASSY (TM RADIO CONTROL POWER SUPPLY SW)**

**アクセサリASSY (TMラジココンテナSW)
ACCESSORIES ASSY**

指示番号 KEY NO.	部品名称 PART NAME	備考 REMARK
1	ハイセンASSY ELEC.ASSY	ラジココンSW、配線、SW用銘板
2	ハイセンASSY ELEC.ASSY	サブハーネス (40極)
4	サポートASSY SUPPORT ASSY	エコスイッチBOX (E, ES仕様は不要)

適用製造番号によっては取り付けがないものもあります。

MACHINES OF SOME SERIAL NO. ARE NOT EQUIPPED WITH THESE PARTS.

**TM-ZE260 41008501215A FRAME/HOOK-IN
PY5170040-02 ALARM ASSY (OUTRIGGER REMAINING EXTENDED)**

<p>指示番号 KEY NO.</p>	<p>ZE250, ZE260, ZE290, ZE300, ZE360: アラームASSY (アウトリガ カクノウワスレ/M, MH, H, HR, HRE, HRES) ALARM ASSY (OUTRIGGER REMAINING EXTENDED/M, MH, H, HR, HRE, HRES) ZE500: アラームASSY (アウトリガ カクノウワスレ/MH, H, HR, HE, HRE, HREN) ALARM ASSY (OUTRIGGER REMAINING EXTENDED/MH, H, HR, HE, HRE, HREN)</p>
<p>1</p>	<p>アラームASSY ALARM ASSY</p>
<p>4</p>	<p>ハイセンASSY ELEC. ASSY</p>
<p>6</p>	<p>プレートASSY, ネーム PLATE ASSY, NAME</p>
<p>7</p>	<p>ハイセンASSY (キユウハーネスヘンカンヨウ) ELEC. ASSY (HARNESS)</p>

適用製造番号によっては取り付けがないものもあります。

MACHINES OF SOME SERIAL NO. ARE NOT EQUIPPED WITH THESE PARTS.

**TM-ZE260 41008501215A FRAME/HOOK-IN
PY5170066-00 ALARM ASSY (ADDITIONAL PARTS FOR O/R STOWING REMINDER)**

アラームASSY (アウトリカ[®] カクノウスレツイカハ[®] ツ/キフクカクノウスレヨウ)
ALARM ASSY (ADDITIONAL PARTS FOR OUTRIGGER STOWING REMINDER ALARM)

指示番号 KEY NO.	部品名称 PART NAME	備考 REMARK
1	アラームASSY ALARM ASSY	アウトリカ [®] 部
4	ハイセンASSY ELEC.ASSY	架装車両部
6	プレートASSY,ネーム PLATE ASSY,NAME	フレーム・アウトリカ [®] 格納忘れ警報装置付

適用製造番号によっては取り付けがないものもあります。

MACHINES OF SOME SERIAL NO. ARE NOT EQUIPPED WITH THESE PARTS.

CLICK HERE TO **DOWNLOAD** THE COMPLETE MANUAL

- Thank you very much for reading the preview of the manual.
- You can download the complete manual from: www.heydownloads.com by clicking the link below



- Please note: If there is no response to CLICKING the link, please download this PDF first and then click on it.

CLICK HERE TO **DOWNLOAD** THE COMPLETE MANUAL