

TM-ZE260 41008501214A FRAME/HOOK-IN

PB0000293-02 SYSTEM (ZE260SL,DOMESTIC)

ASSEMBLY

CLICK HERE TO **DOWNLOAD** THE COMPLETE MANUAL

- Thank you very much for reading the preview of the manual.
- You can download the complete manual from: www.heydownloads.com by clicking the link below



- Please note: If there is no response to CLICKING the link, please download this PDF first and then click on it.

CLICK HERE TO **DOWNLOAD** THE COMPLETE MANUAL

**TM-ZE260 41008501214A FRAME/HOOK-IN
PB1020001-01 POWER TAKE OFF ASSY (SELECTION)**

- POWER TAKE OFF ASSY
- PTO ASSYの選定

指示番号 key No	VEHICLE MAKER 車両 メーカー	指示番号 key No	VEHICLE MAKER 車両 メーカー
1	MITSUBISHI ミツビシ	5	ISUZU イスズ
2	HINO ヒノ	6	NISSAN ニッサン
3	TOYOTA トヨタ	7	MAZDA マツダ
4	DAIHATSU ダイハツ		

[NOTE]

- (1) SOME TYPES OF THE VEHICLE ARE EQUIPPED WITH THE MANUFACTURER' S GENUINE POWER TAKE OFF.
- (2) POWER TAKE OFF FOR EXPORT IS SUPPLIED FROM THE VEHICLE MANUFACTURE.

[注 意]

- (1) PTO ASSYは車種によってメーカー純正品があります。
- (2) 海外向けのPTO ASSYは、車両メーカー品です。

TM-ZE260 41008501214A FRAME/HOOK-IN

Pos No.	Parts No	Parts Name	Qty	Unit	Technical Data	Serial No (Start)	Serial No (End)	Remarks	Pages
1	36400525010	CASE	1						
2	36400525020	GEAR	1						
3	36400525030	SHAFT	1						
4	36400525040	GEAR	1						
5	36400095040	SHAFT	1						
6	36400525060	COLLAR	1						
7	36400525100	SHIFTER ASSY	1						
8	36400095110	PACKING	1						
9	36400095070	COVER (BEARING)	1						
10	36400095080	PACKING (COVER)	1						
11	36400095090	SHIM	1						
12	80500006305	BEARING,BALL	2						
13	36400095120	BEARING	2						
14	91206025005	SEAL,OIL	1						
15	36400095130	WASHER	1						
16	90101206012	BOLT	1		M6X12				
17	80602110520	RING,RITAINING	2		R52				
18	90191208014	BOLT	3		M8X14				
19	90191208020	BOLT	4		M8X20				
20	90302040801	WASHER,SPRING	7		8				
23	36400525070	PACKING	1						
	36400525080	PACKING	1						
24	36400525090	BOLT	2						
25	90193210025	BOLT	2		M10X25				
26	90267201000	NUT	2		M10				
27	90302041001	WASHER,SPRING	4		10				
28	36400525110	PIN	2						
29	31790720100	SUPPORT	1						
30	90191208025	BOLT	2		M8X25				
50	36400520000	POWER TAKE OFF	1						
100	31790720000	POWER TAKE OFF	1						

TM-ZE260 41008501214A FRAME/HOOK-IN

Pos No.	Parts No	Parts Name	Qty	Unit	Technical Data	Serial No (Start)	Serial No (End)	Remarks	Page
1	36400895010	CASE	1						
2	36401115010	GEAR	1						
3	36400095030	SHAFT	1						
4	36401115020	GEAR	1						
5	36400415050	SHAFT	1						
6	36400415060	COLLAR	1						
7	36400215070	COLLAR	2						
8	36400225110	SHIFTER SET	1						
9	36400095110	PACKING	1						
10	36400095070	COVER (BEARING)	1						
11	36400095080	PACKING (COVER)	1						
12	36400095090	SHIM	1						
13	80500006206	BEARING,BALL	2						
14	36400415090	BEARING,NEEDLE	2						
15	91206030005	SEAL,OIL	1						
16	91001102100	O-RING	1		1A P21				
17	90710006120	SCREW,SET	1		M6X12				
18	90191208014	BOLT	3		M8X14				
19	90191208020	BOLT	4		M8X20				
20	90302040801	WASHER,SPRING	7		8				
23	36400415100	PACKING (CASE)	1						
24	90191210030	BOLT	6		M10X30				
25	36400095150	BOLT,STUD	2		M10X1.25/1.5X43				
26	90267201000	NUT	2		M10				
27	90302041001	WASHER,SPRING	8		10				
28	31790720100	SUPPORT	1						
29	90191208025	BOLT	2		M8X25				
39	36400225160	SEAL,OIL	1						
50	36401110000	POWER TAKE OFF	1						
100	31790860000	POWER TAKE OFF	1						

TM-ZE260 41008501214A FRAME/HOOK-IN

Pos No.	Parts No	Parts Name	Qty	Unit	Technical Data	Serial No (Start)	Serial No (End)
1	36401595010	CASE,GEAR	1				
2	52230312180	BOLT (WITH WASHER)	8		M8X1.25		
3	52230308050	COVER (CASE)	1				
4	80500006305	BEARING,BALL	2				
5	52230312021	SHAFT (OUTPUT)	1				
6	36401595020	COLLAR (THRUST)	1				
7	52230312140	ROD (SHAFT)	1				
8	52230312030	SEAL,OIL	1				
9	52230312190	COVER (UPPER)	1				
10	52230312200	PACKING (COVER)	1				
11	52230308130	PIN,SPRING	1		4X24		
12	36401595030	ARM (SHAFT)	1				
13	52230312220	SLEEVE	1				
14	52230308170	PLUG (SHAFT)	1				
15	52230312051	SEAL,OIL	1				
16	52230312060	ADAPTER	1				
17	52230312230	BOLT (WITH WASHER)	4		M8X1.25		
18	52230313110	GEAR ASSY (OUTPUT)	1				
21	52230313090	GEAR,IDLE	1				
22	52230312260	PIN,SPRING	1				
23	52230312090	BEARING,NEEDLE	2				
24	52230308100	SHAFT (IDLE)	1				
25	52230312270	BOLT,HEXAGON SOCKET	1		M8X1.25		
26	52230308160	SPRING (LOCK)	1				
27	52230312150	PIN (LOCK)	1				
28	52230312280	BOLT	3		M8X1.25		
29	52230312120	BOLT,STUD	3				
30	90302041001	WASHER,SPRING	3		10		
31	90267201000	NUT	3		M10		
32	52230312160	WASHER,SPRING	1				
33	52230307020	COUPLING	1				
50	36401609510	POWER TAKE OFF (WITHOUT COUPLING)	1				
100	36401600000	POWER TAKE OFF	1				

TM-ZE260 41008501214A FRAME/HOOK-IN

Pos No.	Parts No	Parts Name	Qty	Unit	Technical Data	Serial No (Start)	Serial No (End)	Remarks	Pages
1	36401725010	CASE	1						
2	36401725020	GEAR	1						
3	36401725030	SHAFT	1						
4	36400095040	SHAFT	1						
5	36400095050	COLLAR	1						
6	36401725040	GEAR	1						
7	36401725050	SHIFTER ASSY	1						
8	36400095120	BEARING	2						
9	80500006206	BEARING,BALL	2						
10	91206030005	SEAL,OIL	1						
11	36400095070	COVER (BEARING)	1						
12	36400095080	PACKING (COVER)	1						
13	36400095090	SHIM	N						
14	90101206012	BOLT	1		M6X12				
15	36400095130	WASHER	1						
16	90191208014	BOLT	3		M8X14				
17	90302040801	WASHER,SPRING	7		8				
18	36400095110	PACKING	1						
19	90191208020	BOLT	4		M8X20				
20	80602110520	RING,RITAINING	2		R52				
22	36400055070	PACKING	1						
23	36400195030	BOLT,STUD	4						
24	90267201000	NUT	4		M10				
25	90193210025	BOLT	2		M10X25				
26	90302041001	WASHER,SPRING	8		10				
27	36401725070	SUPPORT (PUMP)	1						
28	36401725080	BOLT	2		M10X35				
30	31791100100	SUPPORT	1						
31	90191208025	BOLT	2		M8X25				
50	36401720000	POWER TAKE OFF	1						
100	31791100000	POWER TAKE OFF	1						

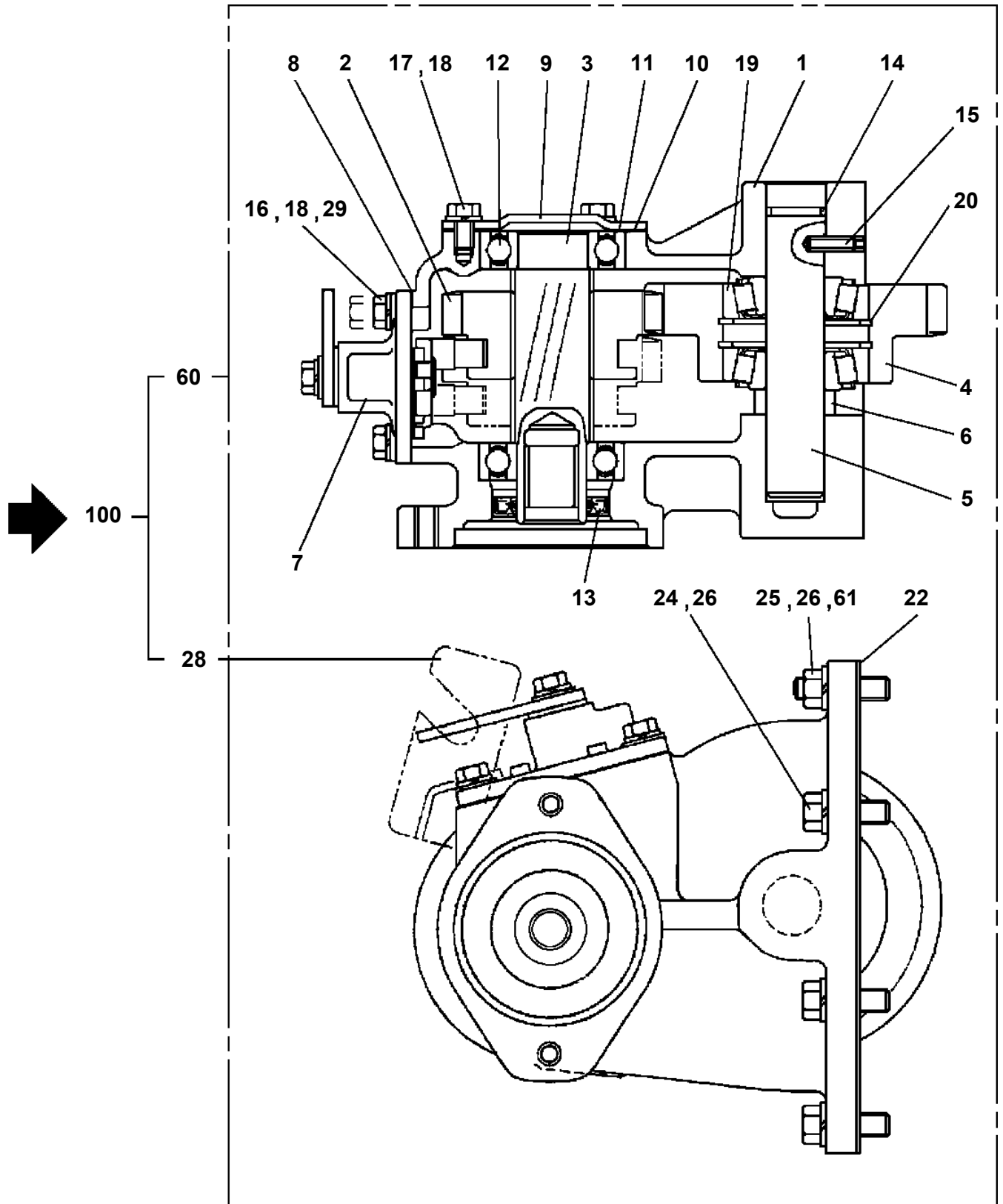
TM-ZE260 41008501214A FRAME/HOOK-IN

Pos No.	Parts No	Parts Name	Qty	Unit	Technical Data	Serial No (Start)	Serial No (End)	Remarks	Pages
1	36401625010	CASE	1						
2	36401625020	GEAR	1						
3	36401645030	SHAFT	1						
4	36401625030	GEAR	1						
5	36400095040	SHAFT	1						
6	36400095100	SHIFTER ASSY	1						
7	36400095110	PACKING	1						
8	36400095070	COVER (BEARING)	1						
9	36400095080	PACKING (COVER)	1						
10	36400095090	SHIM	N						
11	36400095050	COLLAR	1						
12	80500006206	BEARING,BALL	2						
13	36400095120	BEARING	2						
14	36401625040	SEAL,OIL	1						
15	80602110520	RING,RITAINING	2		R52				
16	90710006160	SCREW,SET	1		M6X16				
17	90191208014	BOLT	3		M8X14				
18	90191208020	BOLT	2		M8X20				
	90191208025	BOLT	2		M8X25				
19	90302040801	WASHER,SPRING	7		8				
20	36400055070	PACKING	1						
21	90193210028	BOLT	3						
22	36400835090	BOLT	3		M10X40X1.25				
23	90267201000	NUT	3		M10				
24	90302041001	WASHER,SPRING	6		10				
26	31790660100	SUPPORT	1						
50	36401620000	POWER TAKE OFF	1						
100	31791570000	POWER TAKE OFF	1						

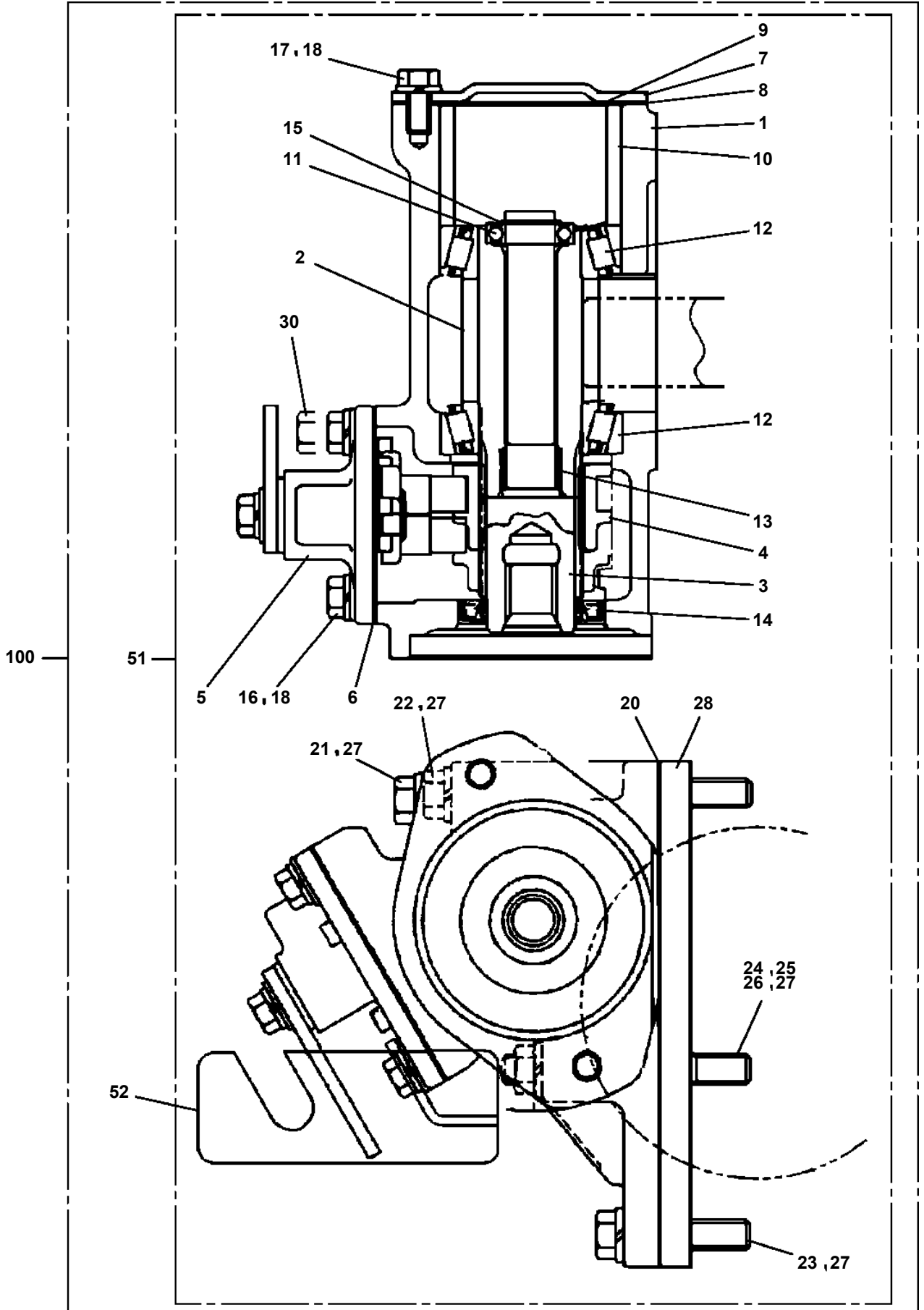
TM-ZE260 41008501214A FRAME/HOOK-IN

Pos No.	Parts No	Parts Name	Qty	Unit	Technical Data	Serial No (Start)	Serial No (End)	Remarks	Pages
1	36401745010	CASE	1						
2	36401745020	GEAR	1						
3	36401745030	SHAFT	1						
4	36400095040	SHAFT	1						
5	36400095050	COLLAR	1						
6	36401915010	GEAR	1						
7	36400095070	COVER (BEARING)	1						
8	36400095080	PACKING (COVER)	1						
9	36400095090	SHIM	N						
10	36401745050	SHIFTER ASSY	1						
11	36400095110	PACKING	1						
12	80500006206	BEARING,BALL	2						
13	91206030005	SEAL,OIL	1						
14	90191208014	BOLT	3		M8X14				
15	90101208020	BOLT	4		M8X20				
16	90101206012	BOLT	1		M6X12				
17	90302040801	WASHER,SPRING	7		8				
18	36400095130	WASHER	1						
19	36401745060	BEARING	2						
20	80602110470	RING,RITAINING	2		R47				
21	36401745070	SPACER	1						
22	36400055070	PACKING	2						
23	36401745080	BOLT,STUD	6						
24	90267201000	NUT	6		M10				
25	90302041001	WASHER,SPRING	8		10				
26	36401725070	SUPPORT (PUMP)	1						
27	36401725080	BOLT	2		M10X35				
30	31791100100	SUPPORT	1						
31	90191208025	BOLT	2		M8X25				
50	36401910000	POWER TAKE OFF	1						
100	31791190000	POWER TAKE OFF	1						

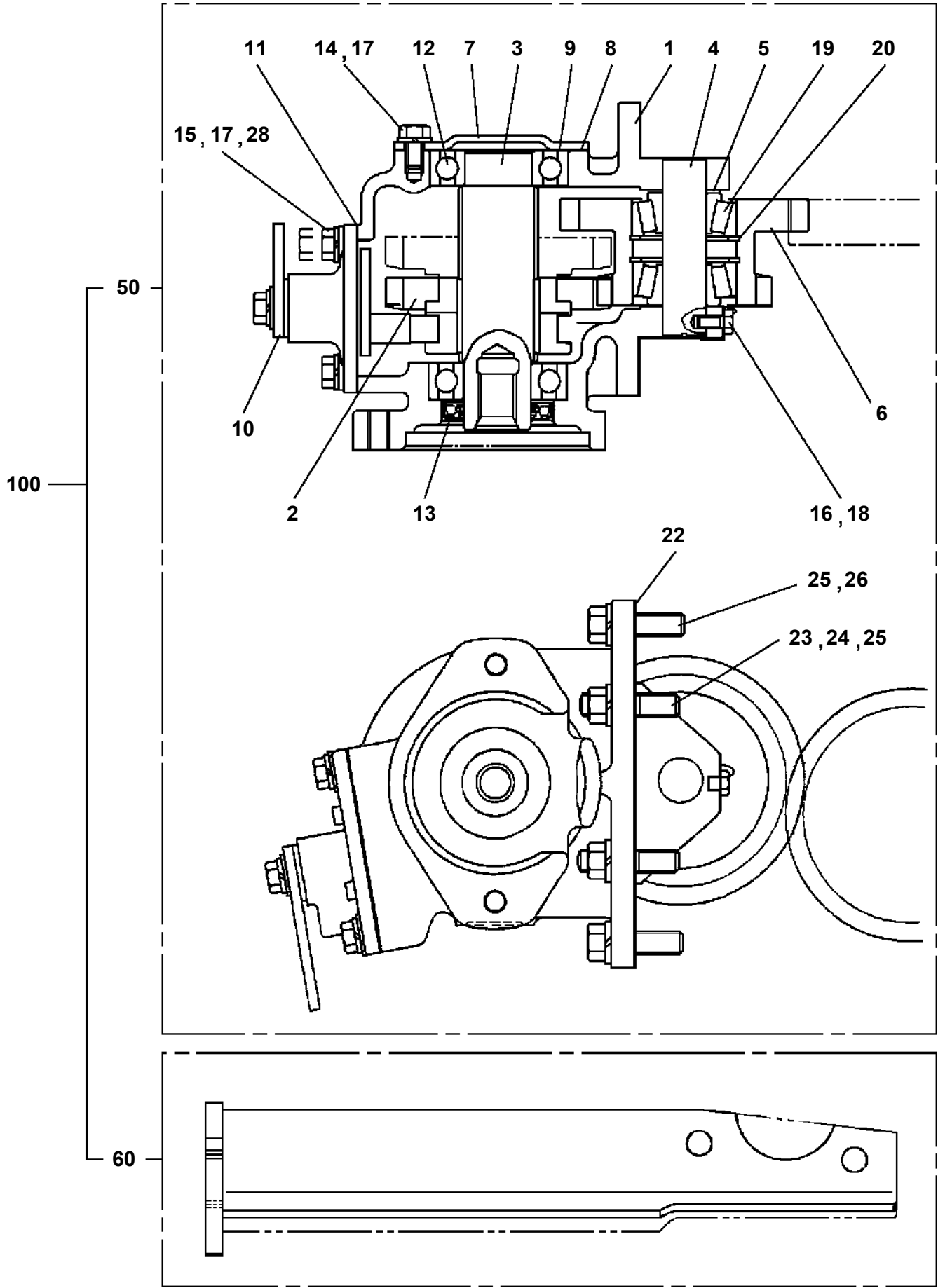
TM-ZE260 41008501214A FRAME/HOOK-IN
PB1030208-01 POWER TAKE OFF



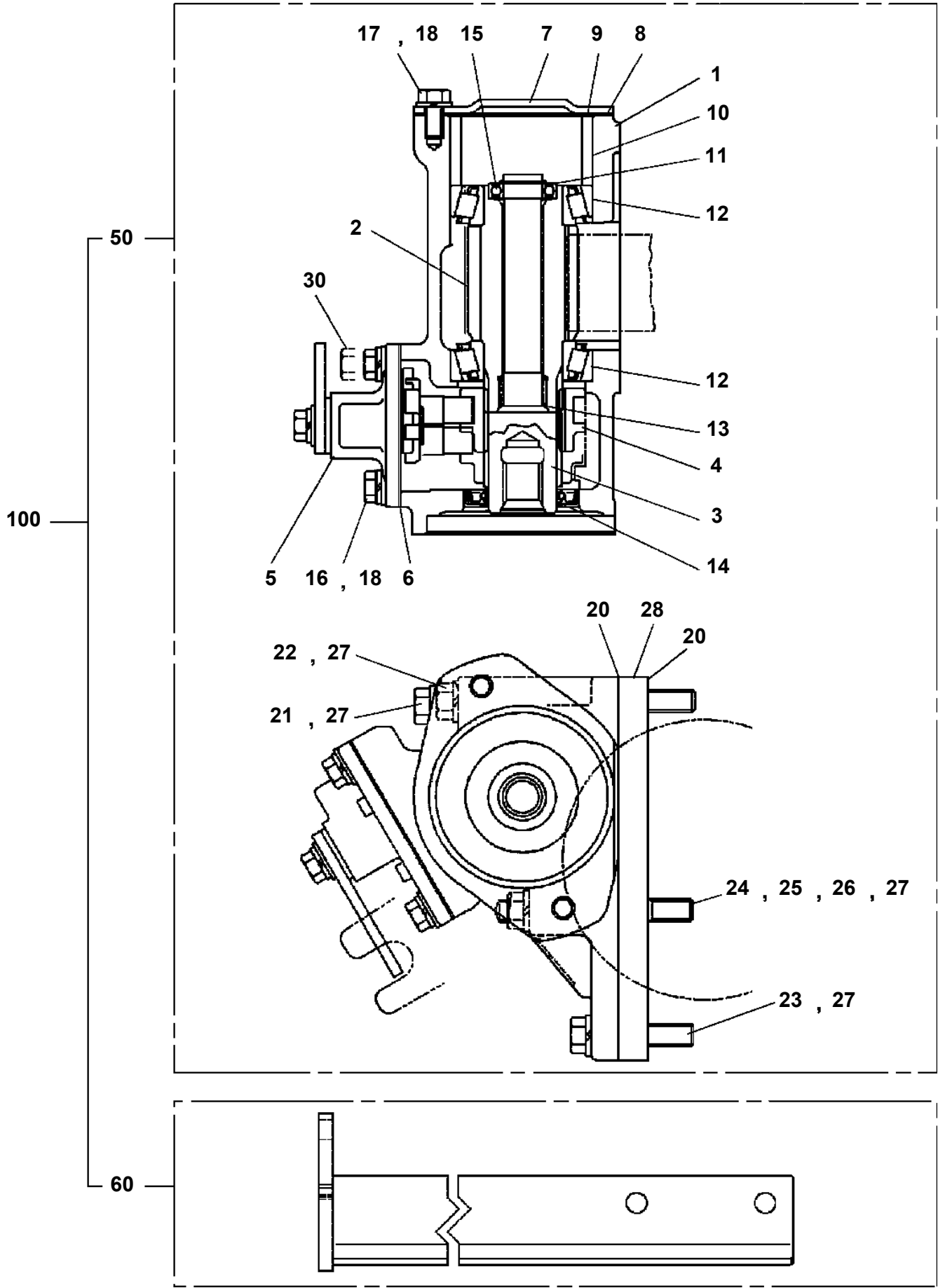
TM-ZE260 41008501214A FRAME/HOOK-IN
PB1030221-01 POWER TAKE OFF



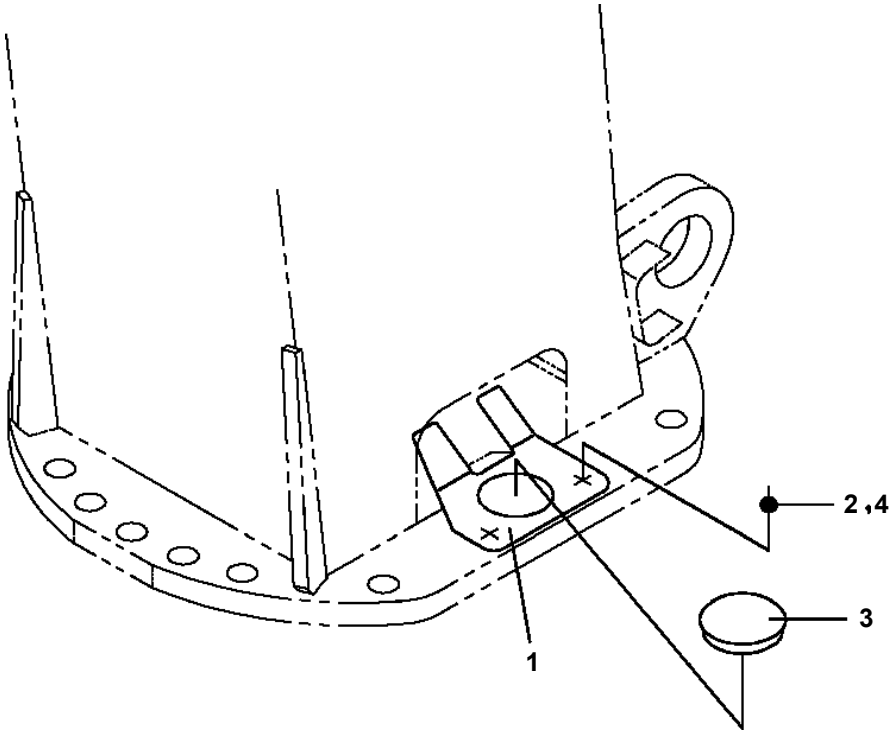
TM-ZE260 41008501214A FRAME/HOOK-IN
PB1030227-00 POWER TAKE OFF



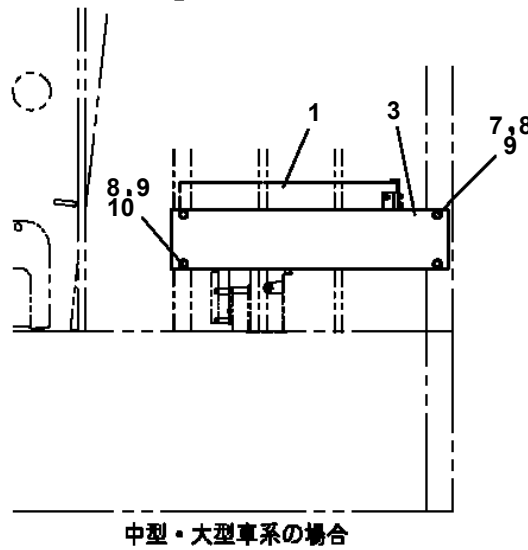
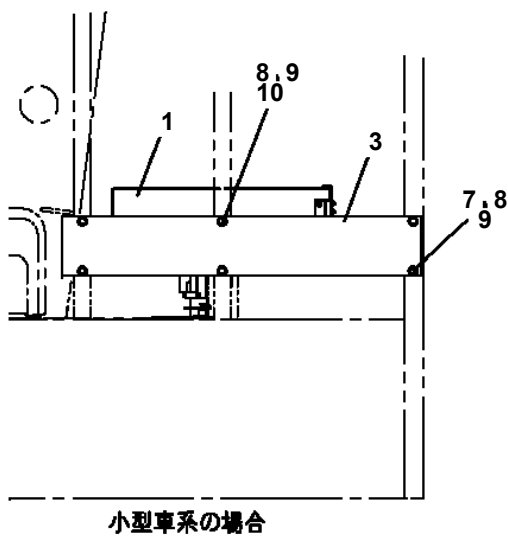
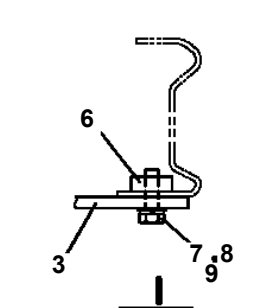
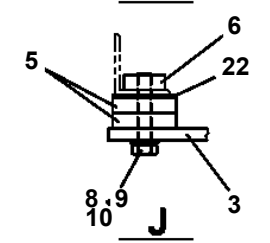
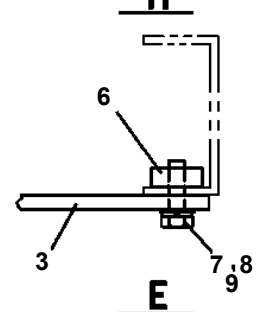
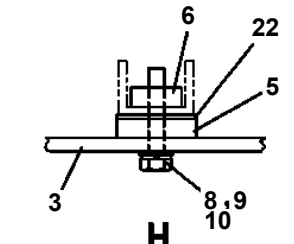
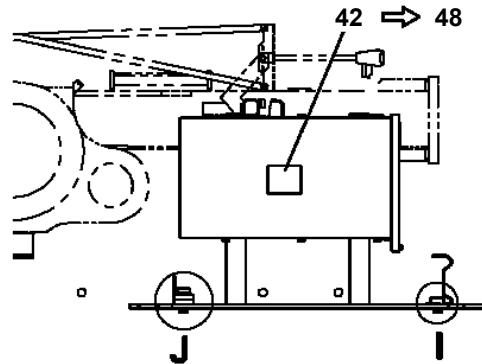
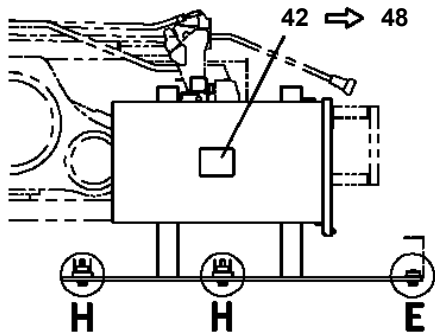
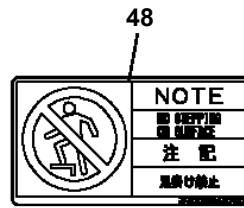
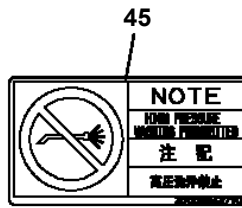
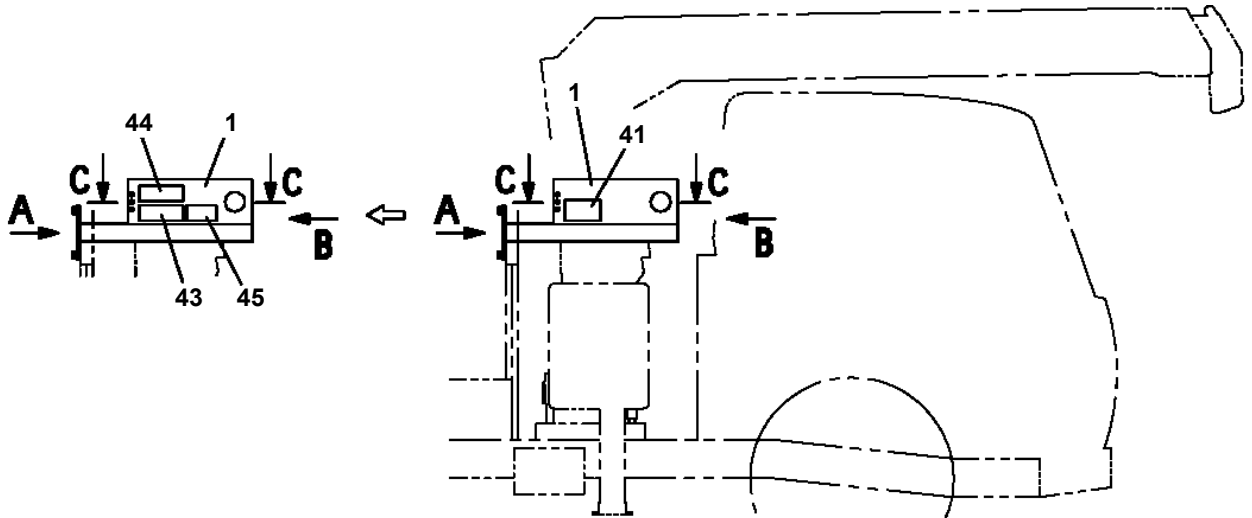
TM-ZE260 41008501214A FRAME/HOOK-IN
PB1030234-01 POWER TAKE OFF



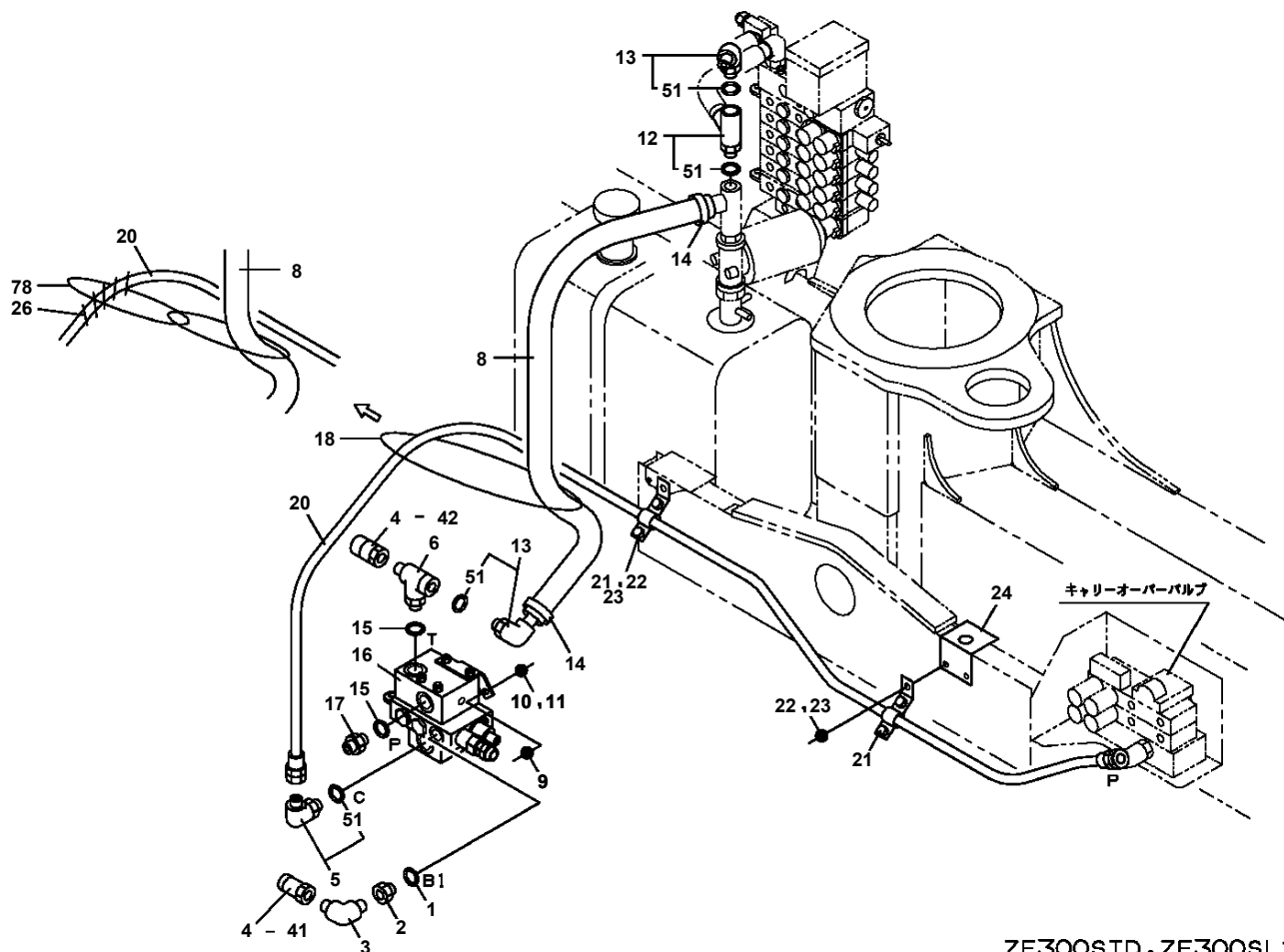
TM-ZE260 41008501214A FRAME/HOOK-IN
PB1290026-00 STOPPER,ROTARY JOINT



TM-ZE260 41008501214A FRAME/HOOK-IN
 PB1380332-03 POWER SUPPLY (100V POWER SOURCE/1500W)



**TM-ZE260 41008501214A FRAME/HOOK-IN
PB1910176-05 PIPING (WITH CARRYOVER,W/O CARRY OVER)**



注 意：本図は参考用に掲載しており、形状などは実際と異なります。

NOTE: THE ABOVE FIGURE IS FOR REFERENCE AND MAY DIFFER FROM THE ACTUAL APPEARANCE OF YOUR MACHINE.

ZE300STD, ZE300SLで
キャリーオーバーバルブがある場合

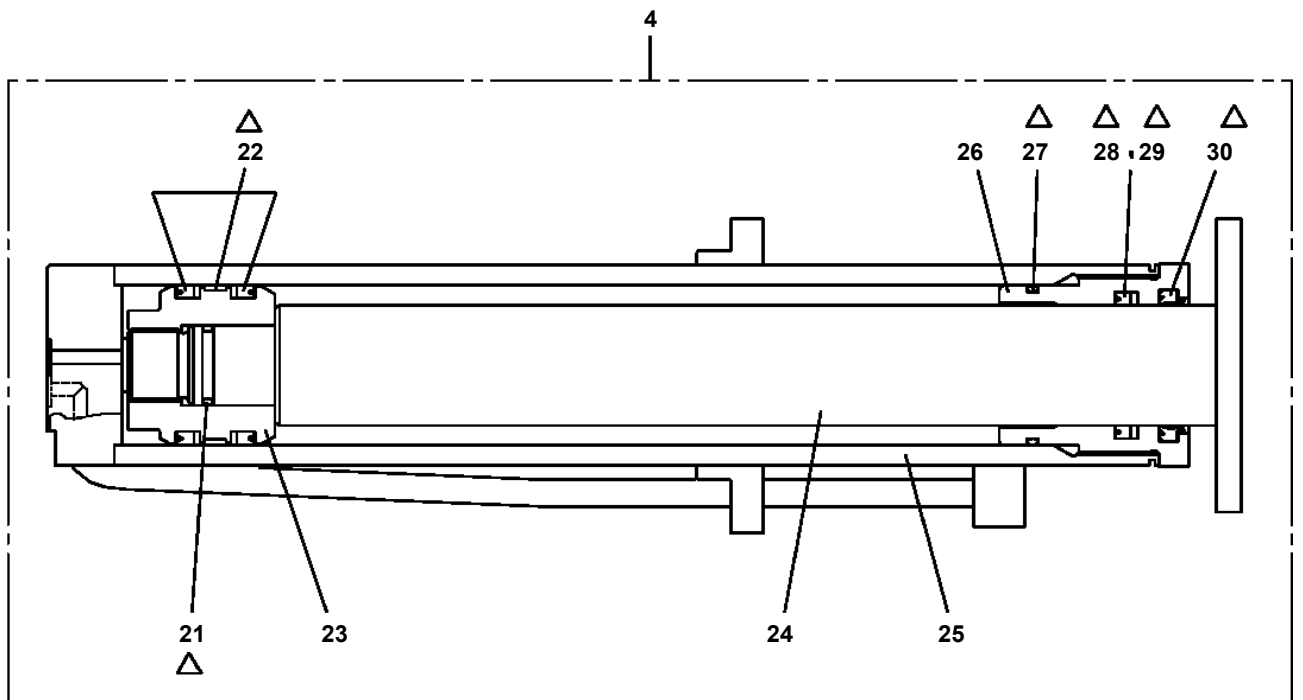
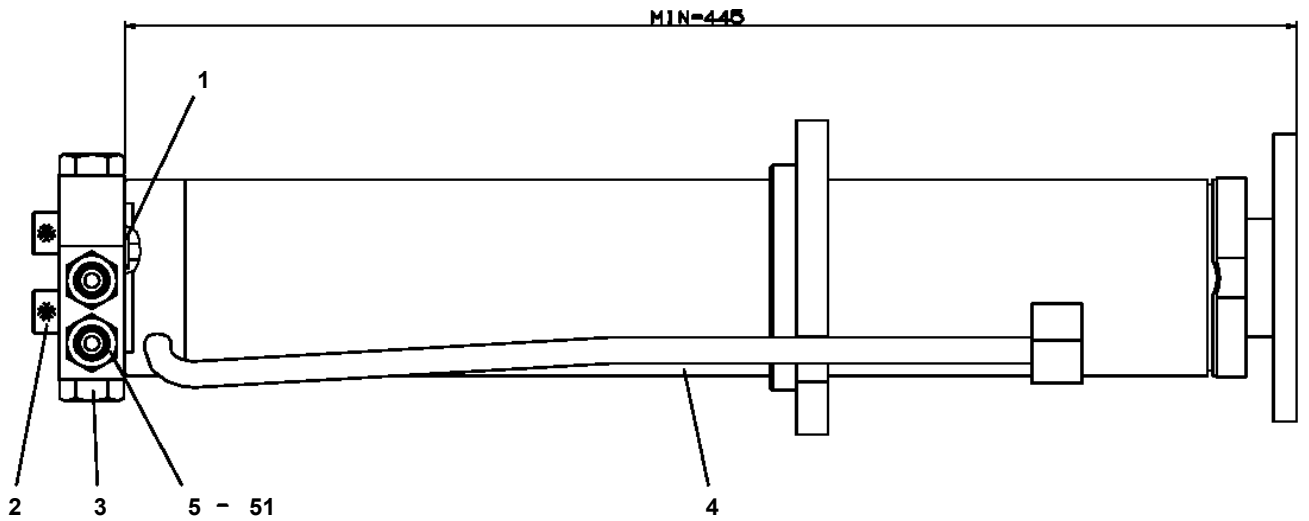
TM-ZE260 41008501214A FRAME/HOOK-IN

Pos No.	Parts No	Parts Name	Qty	Unit	Technical Data	Serial No (Start)	Serial No (End)	Remarks	Pa
1	31731151100	SUPPORT	1						
2	37002400060	HOSE	1		L=850				
3	37002509090	HOSE	1		L=1000				
4	80400160189	JOINT	1						
5	80400160203	JOINT (WITH O-RING)	1						
6	80400160182	JOINT (WITH O-RING)	1						
7	91803600400	CLIP	2		D=27-40				
8	80430620800	JOINT	1						
9	90201780800	NUT	4		M8				
10	90302040801	WASHER,SPRING	4		8				
11	80400160131	JOINT	1						
12	91002801800	O-RING	1		1B P18				
21	91002801800	O-RING	3		1B P18				
31	91002802900	O-RING	1		1B P29				

TM-ZE260 41008501214A FRAME/HOOK-IN

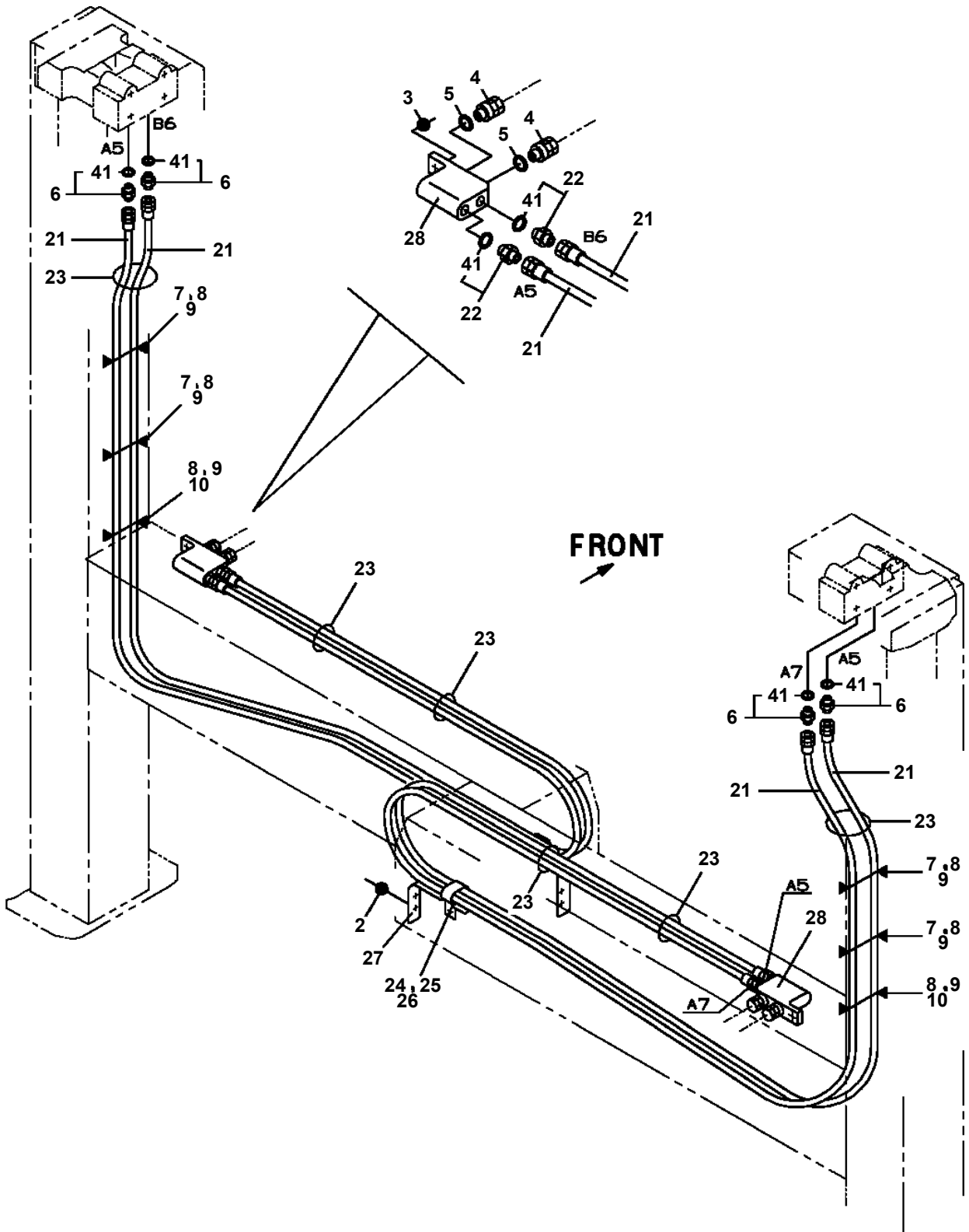
Pos No.	Parts No	Parts Name	Qty	Unit	Technical Data	Serial No (Start)	Serial No (End)	Rema
1	37000163600	PIN	1					
2	80601110300	RING,RITAINING	2		S30			
3	31614061000	CASE,OUTER	1					
4	31611592000	CASE,INNER	1					
5	(*****)	OUTRIGGER ASSY (MIN.1149)	1					
6	37000112060	PIN	1					
7	80602110300	RING,RITAINING	2		R30			
8	37000112070	PIN	1					
9	31611594000	FLOAT ASSY	1					
10	31201770100	PLATE,SLIDE	4		T=3.0			
11	31200030530	PLATE	1					
12	90191210020	BOLT	2		M10X20			
13	90302041001	WASHER,SPRING	4		10			
14	90186208014	BOLT,FLANGE	2		M8X14			
15	31614060110	COVER	1					
16	50822014000	PLATE	1					
17	37001400200	SPRING	1					
18	37002217610	PLATE,CAUTION (CAUTION)	1					
19	31611300600	PLATE,NAME (YELLOW)	2					
20	31611300500	PLATE,NAME (WHITE)	2					
21	(*****)	OPE.ASSY,OUTRIGGER	1					
22	37000150360	PIN	1					
23	80601110150	RING,RITAINING	2		15			
24	37000310360	SPACER	1		L=15			
25	31620582020	BEARING,BALL (KOYO)	1					
26	90171110020	BOLT	2		M10X20			
41	31621963200	SUPPORT	1					
44	31613989510	SUPPORT	1					
45	31622191500	SUPPORT	1					
52	31610175010	TRUNNION	1					
100	31614060100	OUTRIGGER (RIGHT)	1					

TM-ZE260 41008501214A FRAME/HOOK-IN
PC1030185-04 CYLINDER,JACK (REAR)

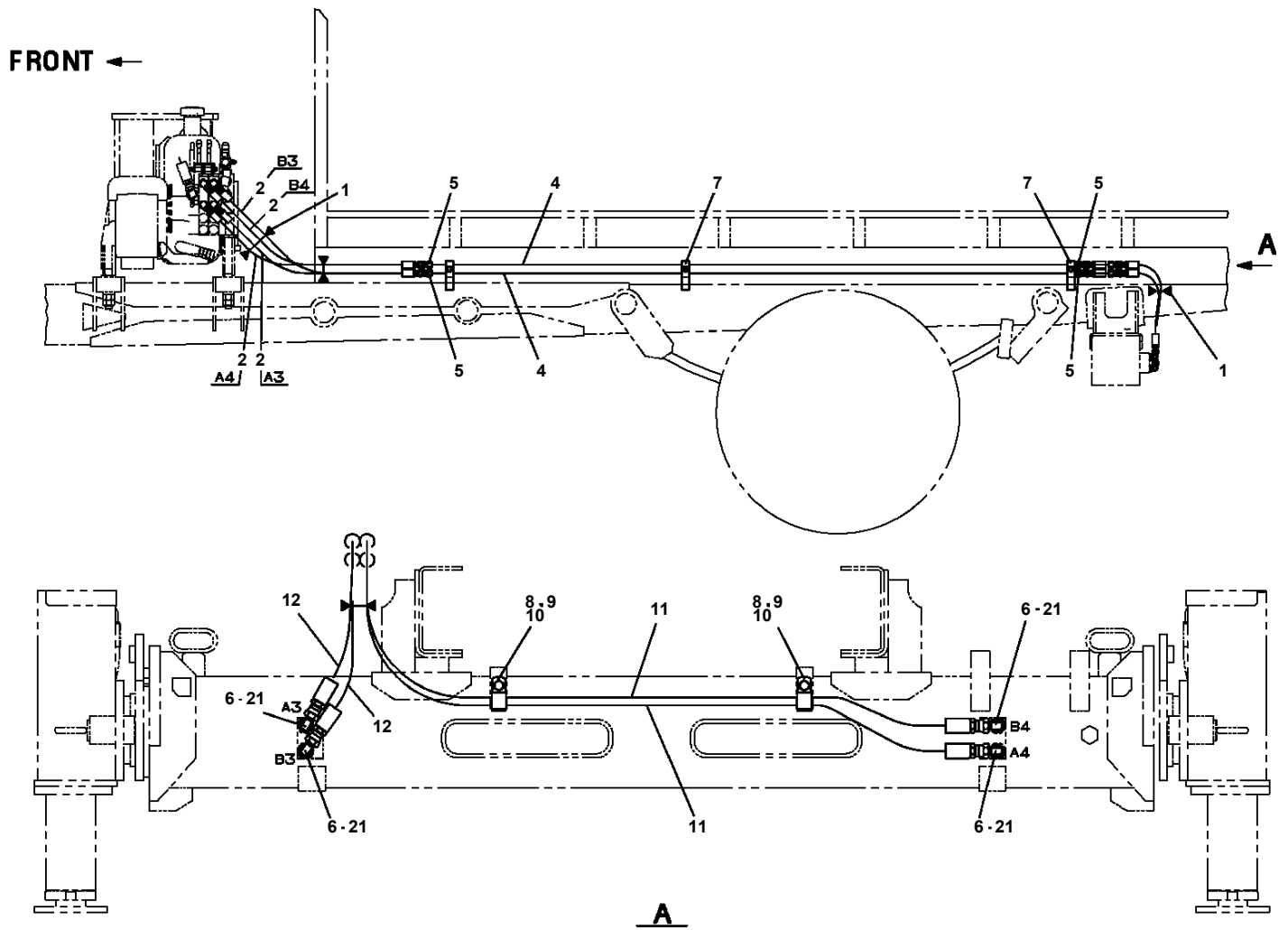


△:PACKING SET KEY NO.41 (KEY NO.21,22,27,28,29,30)

TM-ZE260 41008501214A FRAME/HOOK-IN
PC1200643-00 PIPING,OUTRIGGER

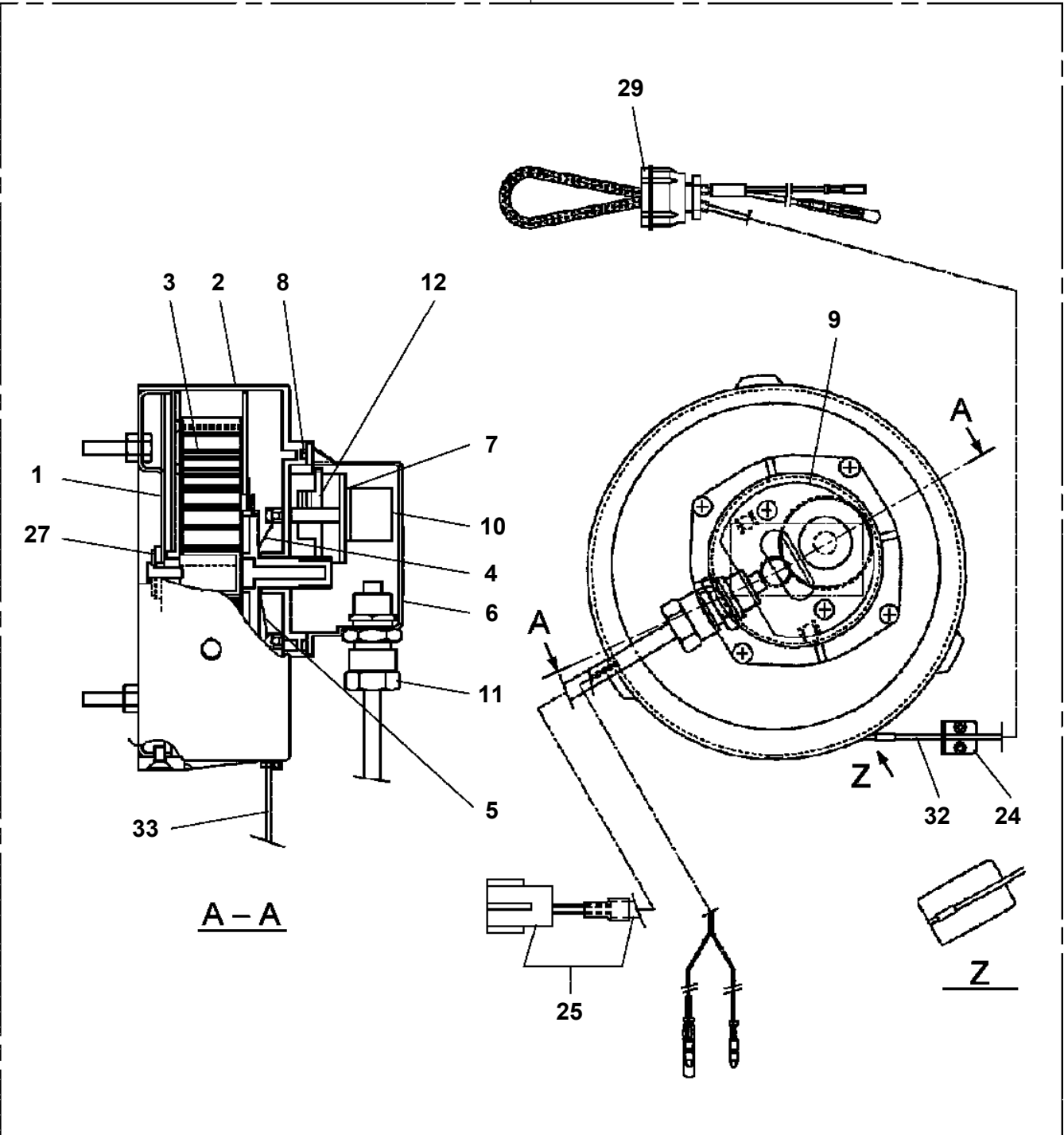


TM-ZE260 41008501214A FRAME/HOOK-IN
PC1230067-00 PIPING,REAR JACK

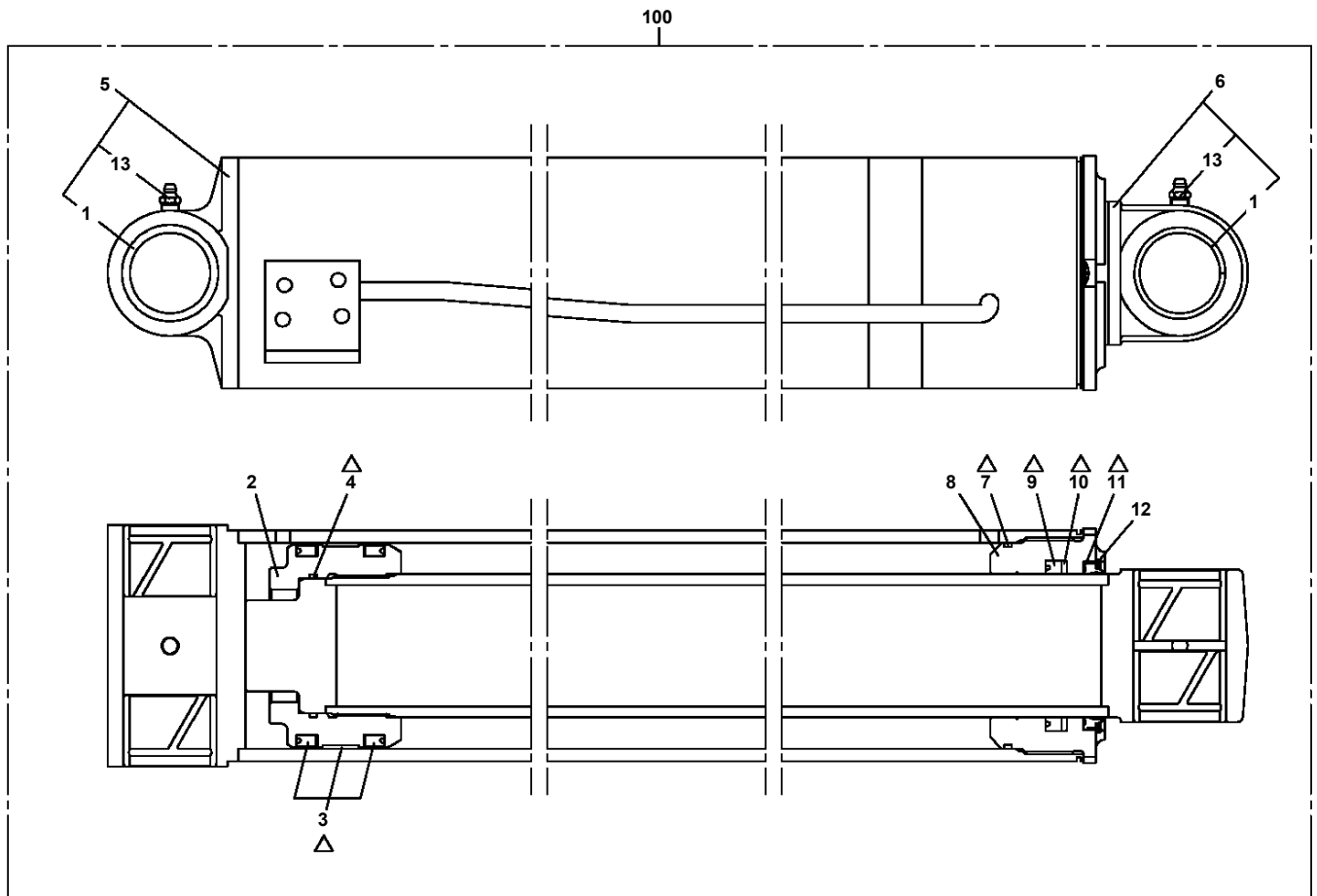


TM-ZE260 41008501214A FRAME/HOOK-IN
PD5080030-00 DETECTOR ASSY,LENGTH (BOOM)

100

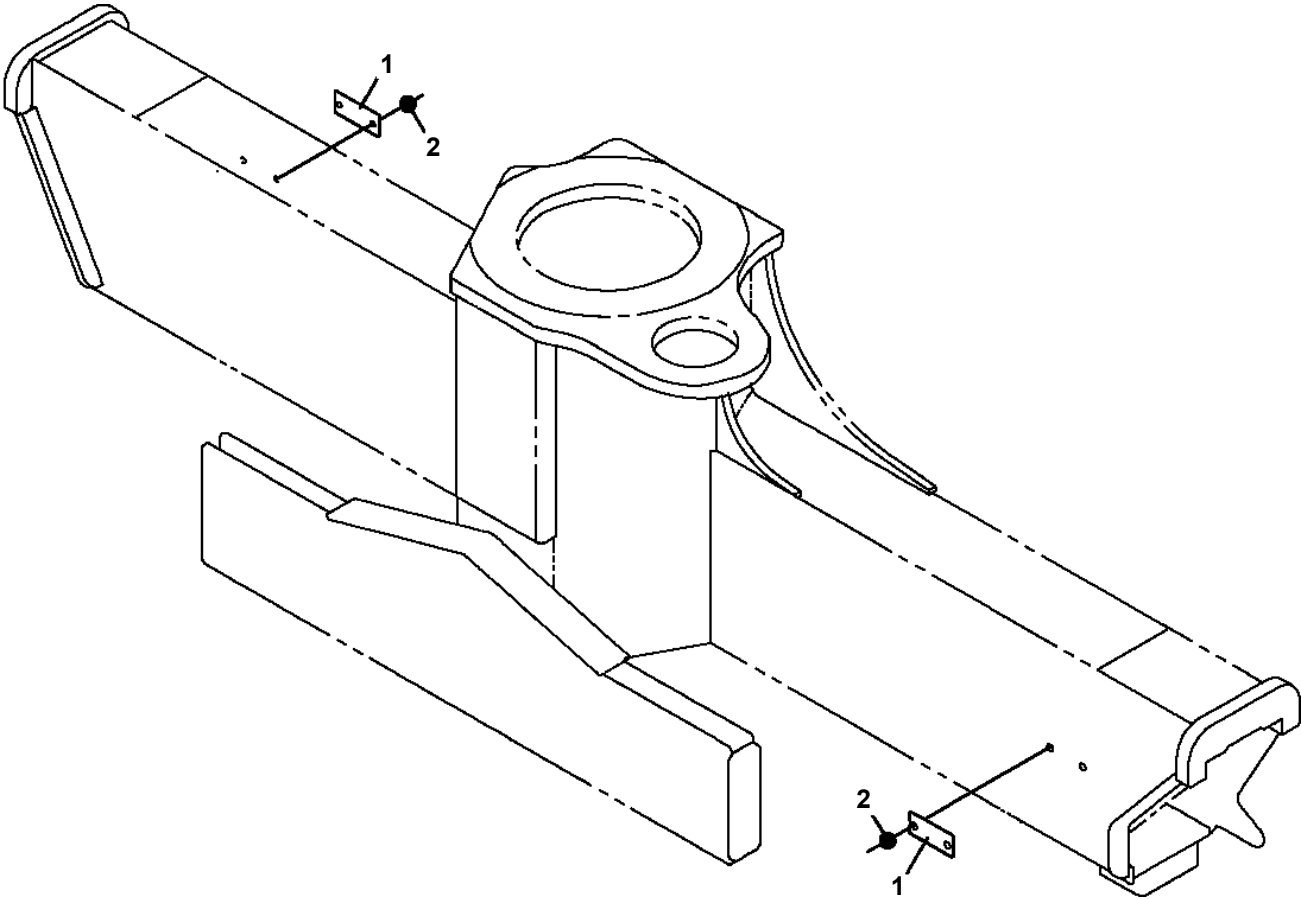


**TM-ZE260 41008501214A FRAME/HOOK-IN
PE1010514-01 CYLINDER ASSY,DERRICK**



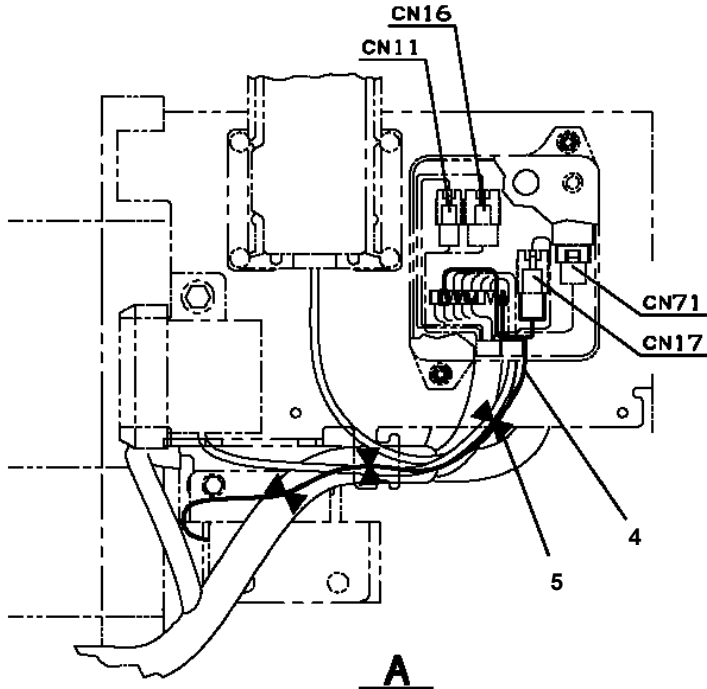
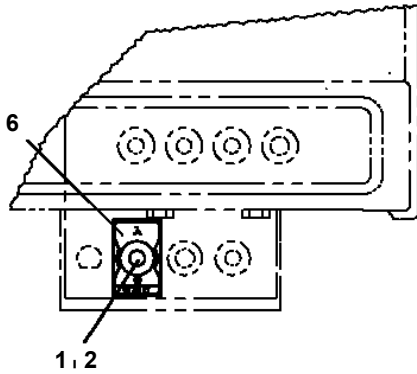
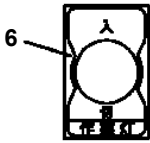
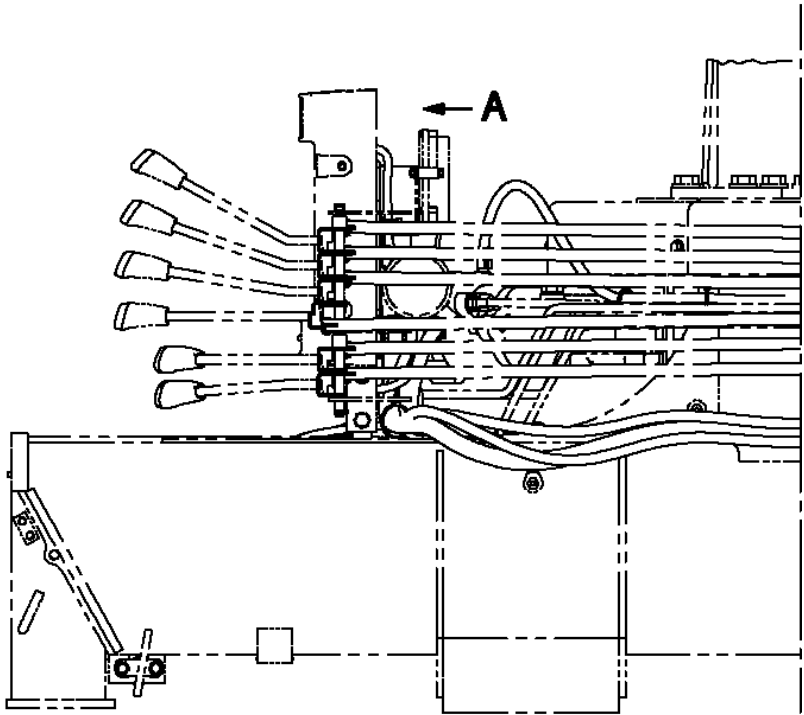
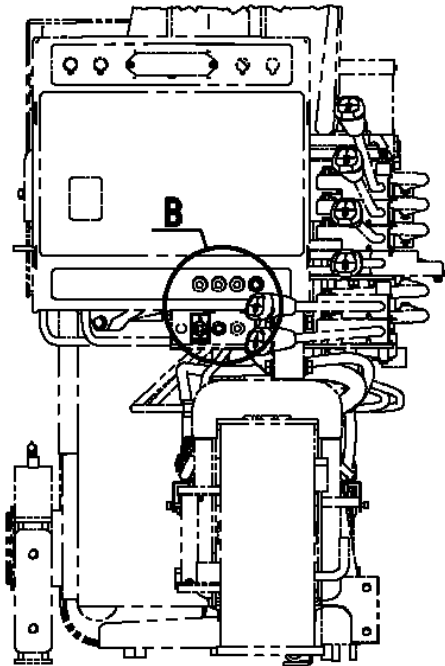
Δ:PACKING SET KEY NO.50 (KEY NO.3,4,7,9,10,11)

TM-ZE260 41008501214A FRAME/HOOK-IN
PE5020335-00 ELEC.ASSY (PLATE/NO EXTENTION DETECTOR)



TM-ZE260 41008501214A FRAME/HOOK-IN
PE5020358-00 ELEC.ASSY (FRAME)

→ FRONT



TM-ZE260 41008501214A FRAME/HOOK-IN

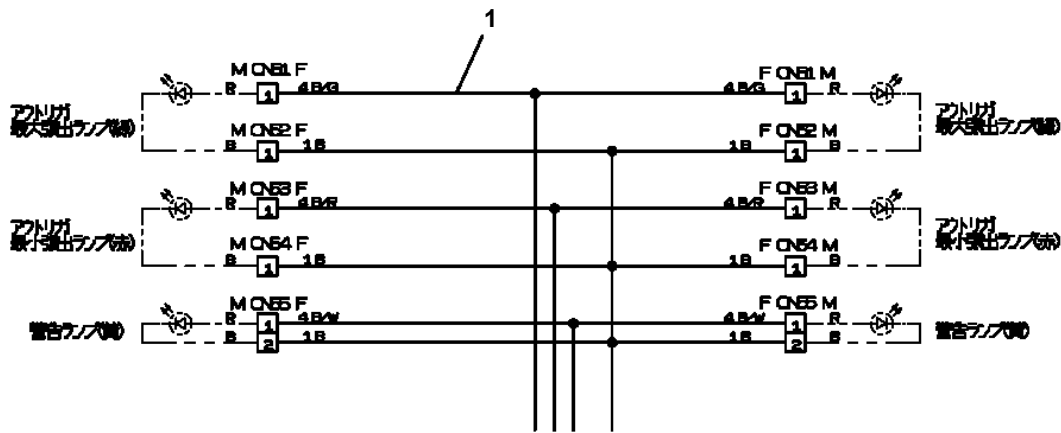
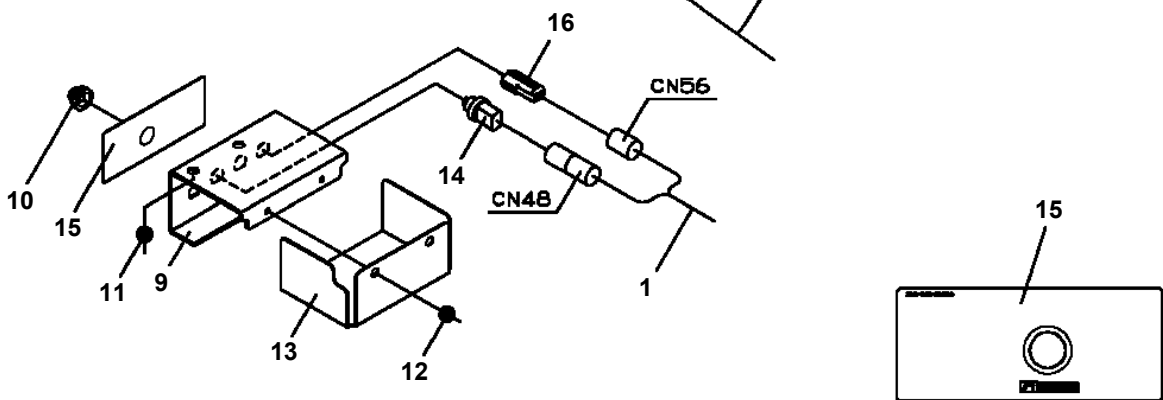
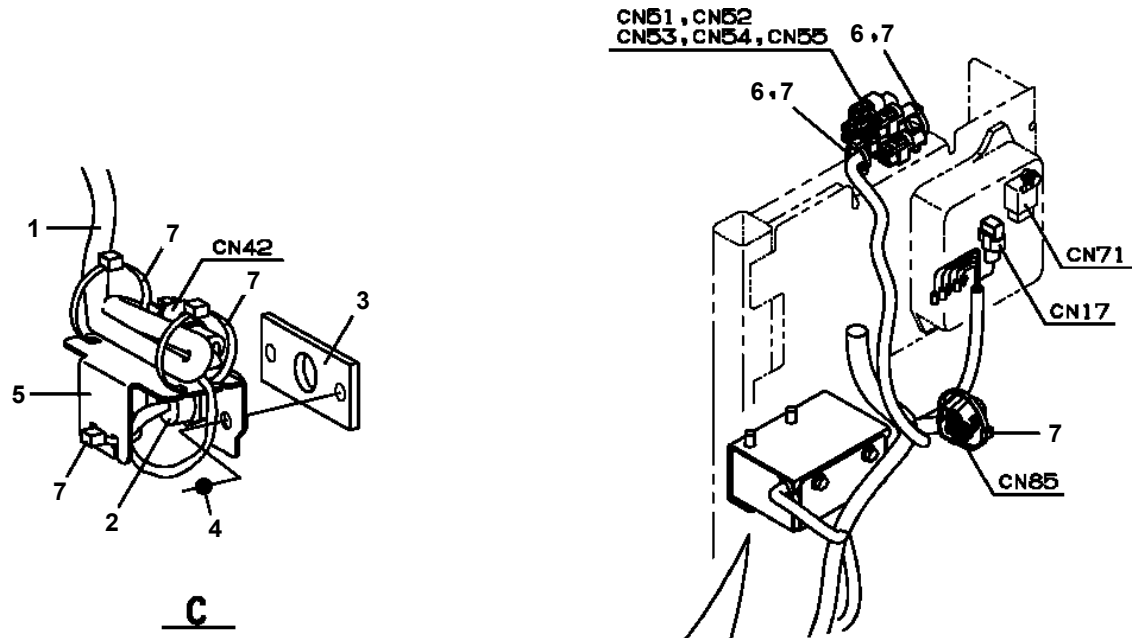
Pos No.	Parts No	Parts Name	Qty	Unit	Technical Data	Serial No (Start)	Serial No (End)	Remarks	Pages
1	31732460100	HARNESS	1						000209
2	91810130240	FASTENER	10						

TM-ZE260 41008501214A FRAME/HOOK-IN
PE5020561-00 ELEC.ASSY (OVER-UNWINDING CUTOUT DEVICE/HR)

ハイセンASSY (ステマキテイシソウチ/HR)
ELEC.ASSY (OVER-UNWINDING CUTOUT DEVICE/HR)

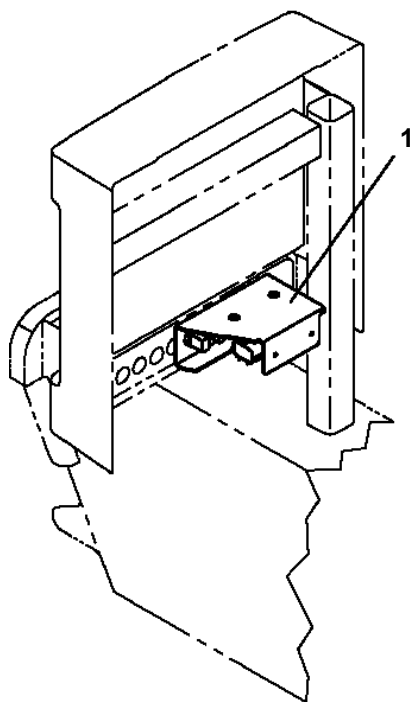
【組立名称一覧】より選択してください。
SEE THE CORRESPONDING "ASSEMBLY NAME" LIST.

TM-ZE260 41008501214A FRAME/HOOK-IN
PE5020704-00 ELEC.ASSY (FRAME)

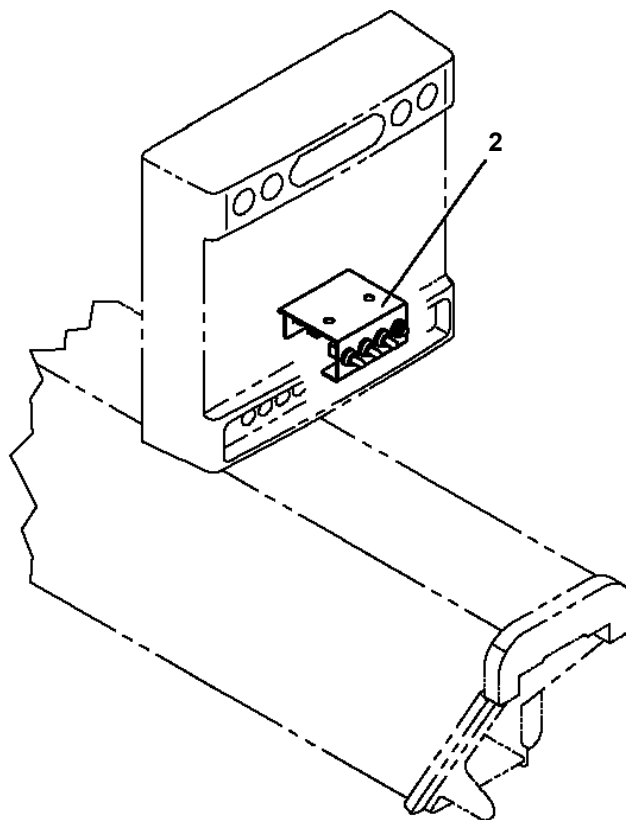


トネズとリアASSYの接続

TM-ZE260 41008501214A FRAME/HOOK-IN
PE5020767-00 ELEC.ASSY (PANEL SWITCH/HOOK-IN)

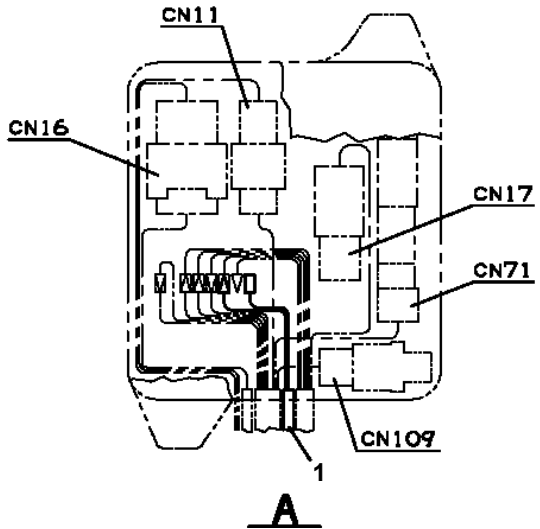
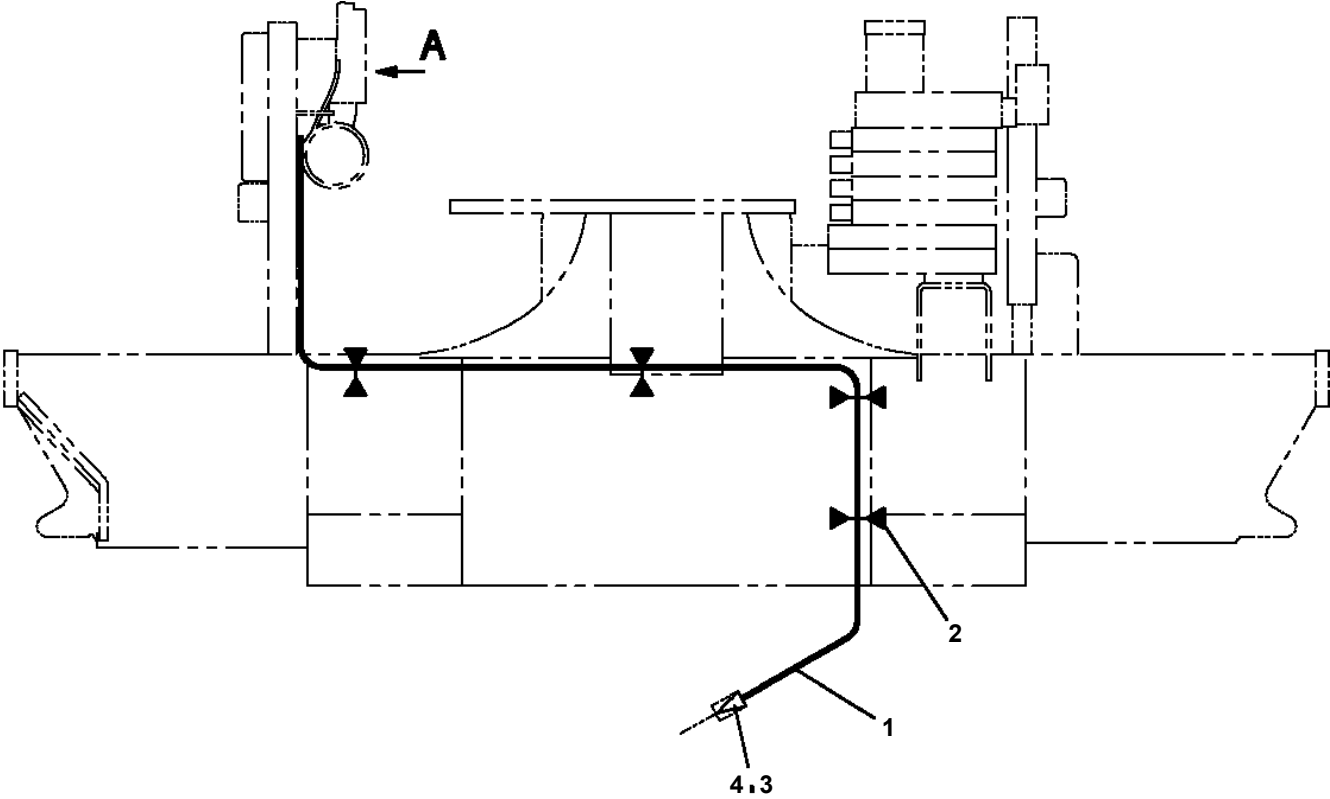


助手席側パネル部
(バルブ側)



運転席側パネル部
(反バルブ側)

TM-ZE260 41008501214A FRAME/HOOK-IN
PE5020853-00 ELEC.ASSY (CRANE)



TM-ZE260 41008501214A FRAME/HOOK-IN

Pos No.	Parts No	Parts Name	Qty	Unit	Technical Data	Serial No (Start)	Serial No (End)	Remarks
1	31505151100	HARNESS	1					
2	34354781710	RELAY (WITH BRACKET)	2					
3	90280200600	NUT,FLANGE	2		M6			
4	80197586012	SCREW,MACHINE	2		M6X12			
5	91810130250	FASTENER	7					

TM-ZE260 41008501214A FRAME/HOOK-IN

Pos No.	Parts No	Parts Name	Qty	Unit	Technical Data	Serial No (Start)	Serial No
1	31362513200	HARNESS	1				
2	36150070000	DETECTOR,LOAD	2				LB7008
	36150070001	DETECTOR ASSY,MOMENT	2			LB7009	
3	90172106020	BOLT,HEXAGON SOCKET	4		M6X20		
4	36120580000	TRANSMITTER ASSY,SIGNAL (ASSY ONLY)	1				
5	91810130250	FASTENER	14				
7	90303070601	WASHER,PLAIN	4		6		
8	31361943200	JOINT	1				
9	91002801100	O-RING	2		1B P11		
10	90171110070	BOLT	2		M10X70		
11	90302041001	WASHER,SPRING	2		10		
12	90303071001	WASHER,PLAIN	2		10		
14	90186206010	BOLT,FLANGE	3		M6X10		
18	31362563200	COVER	1		L=500		
19	91850700101	CLAMP	6		L=208		
42	80316030020	PLUG	1		PT1/8		
61	31656011200	COVER	1				
62	37002227560	PLATE,NAME (BLACK)	4		D=16		

TM-ZE260 41008501214A FRAME/HOOK-IN

Pos No.	Parts No	Parts Name	Qty	Unit	Technical Data	Serial No (Start)	Serial No (End)	Remarks
1	31658150100	HARNESS	1				LB5657	
	31658150101	HARNESS	1			LB5658		
4	31657580100	SUPPORT	1					
5	90171110018	BOLT	4		M10X18			
6	90302041001	WASHER,SPRING	4		10			
7	90186208014	BOLT,FLANGE	4		M8X14			
8	31653241300	COVER	1					
9	90186206010	BOLT,FLANGE	6		M6X10			
10	31657170700	SPEAKER (ASSY ONLY)	1					
11	90186210020	BOLT,FLANGE	1		M10X20			
12	90280201000	NUT,FLANGE	1		M10			
15	90303070601	WASHER,PLAIN	1		6			
16	90280200600	NUT,FLANGE	1		M6			
17	91850100802	CLAMP	7					
18	91810130250	FASTENER	14				LB5657	
	91810130250	FASTENER	16			LB5658		
20	80192483006	SCREW,MACHINE	4		M3X6			
21	31657170300	COVER	1					
22	31474661600	PLUG (2-POES,MALE)	1					
23	31476751010	CONNECTOR	1					
24	31361992100	PLUG	1					
41	31656011200	COVER	1					
42	37002227560	PLATE,NAME (BLACK)	3		D=16			
43	34354781710	RELAY (WITH BRACKET)	1					
44	90280200600	NUT,FLANGE	1		M6			
45	80197586012	SCREW,MACHINE	1		M6X12			

TM-ZE260 41008501214A FRAME/HOOK-IN

Pos No.	Parts No	Parts Name	Qty	Unit	Technical Data	Serial No (Start)	Serial No (End)	Remarks
1	36072255010	CASING	1					
2	36072255020	COVER	1					
3	36072255030	GEAR (1)	1					
6	36073425030	DISK	1					
7	36073425020	WHEEL,RATCHET	1					
8	36073425040	BUSH	1					
9	36072255091	RING,SLIP	1					
10	36072255101	RATCHET	1					
11	36072255110	PIN	1					
12	36072255120	SPRING	1					
13	36072255130	PIN	1					
14	36072255140	PLATE (LOCK)	1					
15	80172304010	SCREW,MACHINE	1		M4X10			
17	36072255160	BOLT (WITH WASHER)	6		M8X25			
19	36072255180	GAUGE,OIL	1					
20	36072255240	PLUG	1					
21	80500006004	BEARING,BALL	1					
22	80500006212	BEARING,BALL	1					
23	80500006305	BEARING,BALL	1					
24	80500006007	BEARING,BALL	1					
25	36072255190	KEY	2		7X7X20			
26	36072255250	O-RING	1					
27	91001101500	O-RING	1		1A P15			
28	36072255210	SEAL,OIL	1					
29	36072255220	NUT,CASTLE	1		M24			
30	80136350035	PIN,SPLIT	1		5X35			
31	80602110620	RING,RITAINING	1		R62			
41	36073435011	GEAR SET	1					
50	36073430000	WINCH (OOKUBO)	1					
101	36072251000	FACING KIT(JAPANESE)	1					
102	36072252000	FACING KIT (ENGLISH)	1					

TM-ZE260 41008501214A FRAME/HOOK-IN

Pos No.	Parts No	Parts Name	Qty	Unit	Technical Data	Serial No (Start)	Serial No (End)	Rema
1	36090230000	HOOK (1-PART LINE ,OPTION)	1					
2	(*****)	PLATE ASSY,NAME (HOOK)	1					

TM-ZE260 41008501214A FRAME/HOOK-IN

Pos No.	Parts No	Parts Name	Qty	Unit	Technical Data	Serial No (Start)	Serial No (End)	Remarks	Pages
1	31440791000	ROLLER ASSY	1						
2	37000105740	PIN	2						
3	80136332020	PIN,SPLIT	2		3.2X20				
4	90303071001	WASHER,PLAIN	4		10				
5	37001300000	SPRING	2						
21	37001107470	ROLLER ASSY	2						
22	37001108130	ROLLER ASSY	1						
23	31440241100	PIN	1						
24	31440791100	SUPPORT	1						
25	31440150350	WASHER,PLAIN	2						
26	90286001007	NUT	2		M10 P=1.25				
42	80516006001	BEARING,BALL	4						
43	80602110280	RING,RITAINING	2		R28				

TM-ZE260 41008501214A FRAME/HOOK-IN

Pos No.	Parts No	Parts Name	Qty	Unit	Technical Data	Serial No (Start)	Serial No (End)	Remarks	F
1	31625800101	FRAME ASSY	1						
2	82459103000	NIPPLE,GREASE	1		C-PT1/8				
3	82400000459	CAP	1						
4	31625054001	FRAME	1				LB5306		
	31625054002	FRAME	1			LB5307			
5	37000520580	PLATE	1						
6	80601110950	RING,RITAINING	1		S95				
7	31620582020	BEARING,BALL (KOYO)	4						
8	90203201600	NUT	2		M16				
9	90101216045	BOLT	2		M16X45				
10	90186208010	BOLT,FLANGE	8		M8X10				
11	31623080300	INSULATOR	2						
12	31621962100	SUPPORT	4						
13	31621962200	PLATE	4		T=0.5				
14	31624750500	PLATE	4		T=1				
15	37000161010	PIN	2						
16	37000309980	SPACER	2		L=60				
17	82401800080	PLUG (FOR M8)	3						
18	31622202200	SHIM	N		T=1.6				
19	31622042200	SPACER	4						
20	31622042300	SHIM	N		T=0.5				
21	90186208020	BOLT,FLANGE	8		M8X20				
22	82401800100	PLUG (FOR M10)	2						
23	82400000536	LEVEL	1		SF55				
	82400000499	LEVEL	1		SM250				
24	80175803020	SCREW,MACHINE	2		M3X20				
61	90190000008	BOLT,STUD	10		M6X20				
62	90288108015	NUT	3		M8,H=15				
63	31625042401	SUPPORT	1						
64	31621964100	SUPPORT	1						
65	90288110030	NUT	2		M10				
66	31625062801	SUPPORT	1						
67	31622203600	SUPPORT	1						
68	31622174100	SUPPORT	1						
69	31622174700	SUPPORT	1						
70	31625062100	SUPPORT	1						
71	31625062200	SUPPORT	2						
72	37000588820	PLATE	1						
73	31622203800	PLATE	1						
74	90101210020	BOLT	1		M10X20				
75	31625752100	SUPPORT	1						
76	31625062500	SUPPORT	1						
77	37000588800	PLATE	1						
78	37000588810	PLATE	1						
79	90288106015	NUT	3		M6				
80	31625802100	SUPPORT	2						
81	90288112035	NUT	2		M12X35				
82	37000574930	PLATE	1						
83	90288112070	NUT	1		M12,H=70				

TM-ZE260 41008501214A FRAME/HOOK-IN

Pos No.	Parts No	Parts Name	Qty	Unit	Technical Data	Serial No (Start)	Serial No (End)	Remarks	Pages
1	31477172600	ROPE ASSY	1		L=1480				

TM-ZE260 41008501214A FRAME/HOOK-IN

Pos No.	Parts No	Parts Name	Qty	Unit	Technical Data	Serial No (Start)	Serial No (End)	Remarks	Pages
1	31653500300	HARNESS	1		L=5300				

TM-ZE260 41008501214A FRAME/HOOK-IN

Pos No.	Parts No	Parts Name	Qty	Unit	Technical Data	Serial No (Start)	Serial No (End)	Remarks	Pages
1	31731155300	HARNESS	1						

TM-ZE260 41008501214A FRAME/HOOK-IN

Pos No.	Parts No	Parts Name	Qty	Unit	Technical Data	Serial No (Start)	Serial No (End)	Remarks	Pages
100	31657510100	HARNESS	1						

TM-ZE260 41008501214A FRAME/HOOK-IN

Pos No.	Parts No	Parts Name	Qty	Unit	Technical Data	Serial No (Start)	Serial No (End)	Remarks	Pages
100	31503272100	HARNESS	1						

TM-ZE260 41008501214A FRAME/HOOK-IN

Pos No.	Parts No	Parts Name	Qty	Unit	Technical Data	Serial No (Start)	Serial No (End)	Remarks	Pages
100	31504322402	HARNESS	1						

CLICK HERE TO **DOWNLOAD** THE COMPLETE MANUAL

- Thank you very much for reading the preview of the manual.
- You can download the complete manual from: www.heydownloads.com by clicking the link below



- Please note: If there is no response to CLICKING the link, please download this PDF first and then click on it.

CLICK HERE TO **DOWNLOAD** THE COMPLETE MANUAL

TM-ZE260 41008501214A FRAME/HOOK-IN

Pos No.	Parts No	Parts Name	Qty	Unit	Technical Data	Serial No (Start)	Serial No (End)	Remarks	Pages
1	31504934100	HARNESS	1						

TM-ZE260 41008501214A FRAME/HOOK-IN

Pos No.	Parts No	Parts Name	Qty	Unit	Technical Data	Serial No (Start)	Serial No (End)	Remarks	Pages
1	31503161100	HARNESS	1						

TM-ZE260 41008501214A FRAME/HOOK-IN

Pos No.	Parts No	Parts Name	Qty	Unit	Technical Data	Serial No (Start)	Serial No (End)	Remarks	Pages
100	31501791200	HARNESS	1						

TM-ZE260 41008501214A FRAME/HOOK-IN

Pos No.	Parts No	Parts Name	Qty	Unit	Technical Data	Serial No (Start)	Serial No (End)	Remarks	Pages
11	91001101600	O-RING	1		1A P16				
12	36632465490	SEAL	1						
13	36602555010	O-RING	1						
14	36632465510	O-RING	1						
15	91411001600	RING,BACKUP	1		P16				
30	36602550000	VALVE,RELIEF	1						

TM-ZE260 41008501214A FRAME/HOOK-IN

Pos No.	Parts No	Parts Name	Qty	Unit	Technical Data	Serial No (Start)	Serial No (End)	Remarks
1	36672590000	FILTER,OIL (CARTRIDGE)	1					
3	36672395020	COVER,HEAD	1					
10	36672390000	FILTER,OIL (WAKO)	1					

TM-ZE260 41008501214A FRAME/HOOK-IN

Pos No.	Parts No	Parts Name	Qty	Unit	Technical Data	Serial No (Start)	Serial No (End)	Remarks
1	31950472000	LOCK ASSY	1					
2	90203201000	NUT	2		M10			
3	90172110055	BOLT,HEXAGON SOCKET	2		M10X55			
4	90172110020	BOLT,HEXAGON SOCKET	4		M10X20			
5	31950492000	LOCK ASSY	1					
6	90303071001	WASHER,PLAIN	4		10			
21	31950300402	SUPPORT	1					
	31950300460	SUPPORT (STEEL CAST)	1					
22	37000537270	PLATE	4					
23	31950491100	LEVER	2					
24	37001400341	SPRING	1					
25	31950300602	HOOK	2					
26	37001510080	BOLT,HEXAGON SOCKET	2					
27	90303071201	WASHER,PLAIN	2		12			
28	82400000527	CAP	2					
29	90203201200	NUT	2		M12			
30	37000400510	BEARING,PLAIN	4					
31	80824001206	BEARING,PLAIN	2					
41	31950330702	SUPPORT	1					
	31950330720	SUPPORT (STEEL CAST)	1					
44	37001400351	SPRING	1					

TM-ZE260 41008501214A FRAME/HOOK-IN

Pos No.	Parts No	Parts Name	Qty	Unit	Technical Data	Serial No (Start)	Serial No (End)	Remarks	Pages
1	90186208014	BOLT,FLANGE	1		M8X14				
2	31270641100	COVER	1						

TM-ZE260 41008501214A FRAME/HOOK-IN

Pos No.	Parts No	Parts Name	Qty	Unit	Technical Data	Serial No (Start)
1	(*****)	ELEC.ASSY (PANEL SWITCH/HOOK-IN)	1			
2	(*****)	ELEC.ASSY (PLATE/NO EXTENTION DETECTOR)	1			
3	(*****)	ELEC.ASSY (POST/PROXIMITY SWITCH)	1			
4	(*****)	ELEC.ASSY (PLUG:FRAME/INTERLOCK)	1			
5	(*****)	ELEC.ASSY (CONNECTION CONNECTOR PLUG:CN4)	1			
11	37001803240	ROPE,WIRE (KISWIRE)	1			
12	(*****)	PIPING,LOWER (JOINT FOR RETURN FILTER)	1			
13	(*****)	PIPING,LOWER (FOR LOAD METER)	1			
21	36683870001	METER,LOAD (2.6TON NAGANO/JAPANESE)	1			
	36683880001	METER,LOAD (2.6TON KUSABA/JAPANESE)	1			
31	(*****)	OUTRIGGER ASSY (WITH FLOAT,JACK MIN.1149)	1			

TM-ZE260 41008501214A FRAME/HOOK-IN

Pos No.	Parts No	Parts Name	Qty	Unit	Technical Data	Serial No (Start)	Serial No (End)
1	(*****)	ELEC.ASSY (FRAME)	1				
2	(*****)	ELEC.ASSY (UPPER/WORKING LAMP)	1				

TM-ZE260 41008501214A FRAME/HOOK-IN

Pos No.	Parts No	Parts Name	Qty	Unit	Technical Data	Serial No (Start)	Serial No (End)	Rem
1	(*****)	ELEC.ASSY (FRAME)	1					
2	(*****)	ELEC.ASSY (POST WORK LAMP)	1					

TM-ZE260 41008501214A FRAME/HOOK-IN

Pos No.	Parts No	Parts Name	Qty	Unit	Technical Data	Serial No (Start)	Serial No (End)	Remarks
1	(*****)	ELEC.ASSY (FRAME)	1					
2	(*****)	ELEC.ASSY (POST)	1					
3	(*****)	ELEC.ASSY (BOOM/LED LAMP)	1					

TM-ZE260 41008501214A FRAME/HOOK-IN

Pos No.	Parts No	Parts Name	Qty	Unit	Technical Data	Serial No (Start)	Serial No (End)	Remarks	Pages
1	31504420200	SPACER	1						
2	31201565200	PIN	1						
3	31202515700	LINK	1						
10	31504420000	LINK ASSY	1						

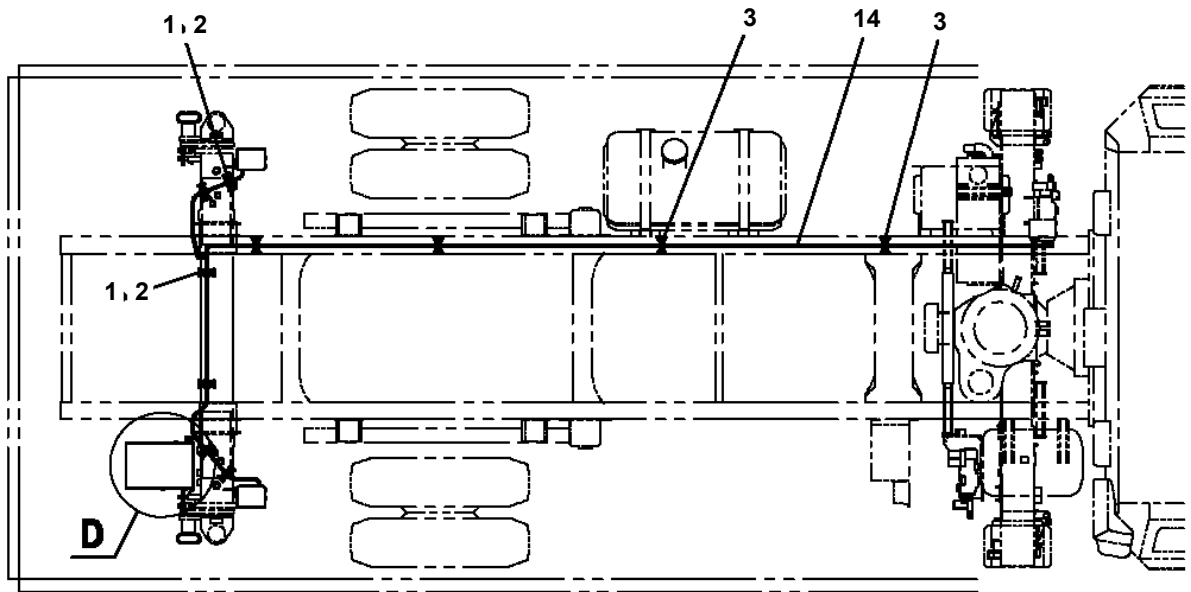
TM-ZE260 41008501214A FRAME/HOOK-IN

Pos No.	Parts No	Parts Name	Qty	Unit	Technical Data	Serial No (Start)	Serial No (End)	Remarks	Pages
1	82165700015	CAP	1						
100	82165700010	LAMP	1						

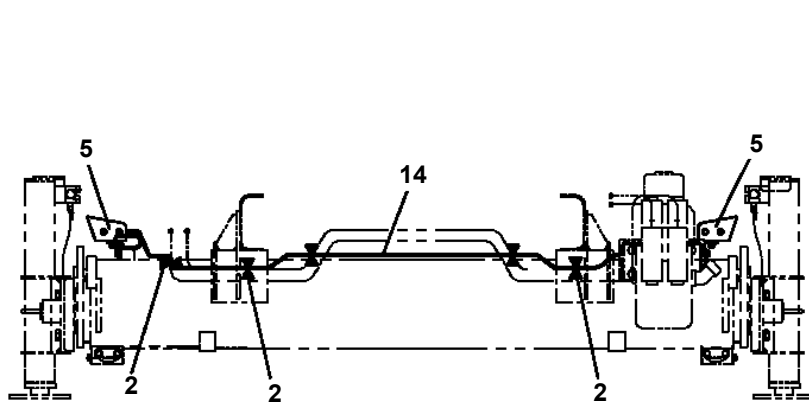
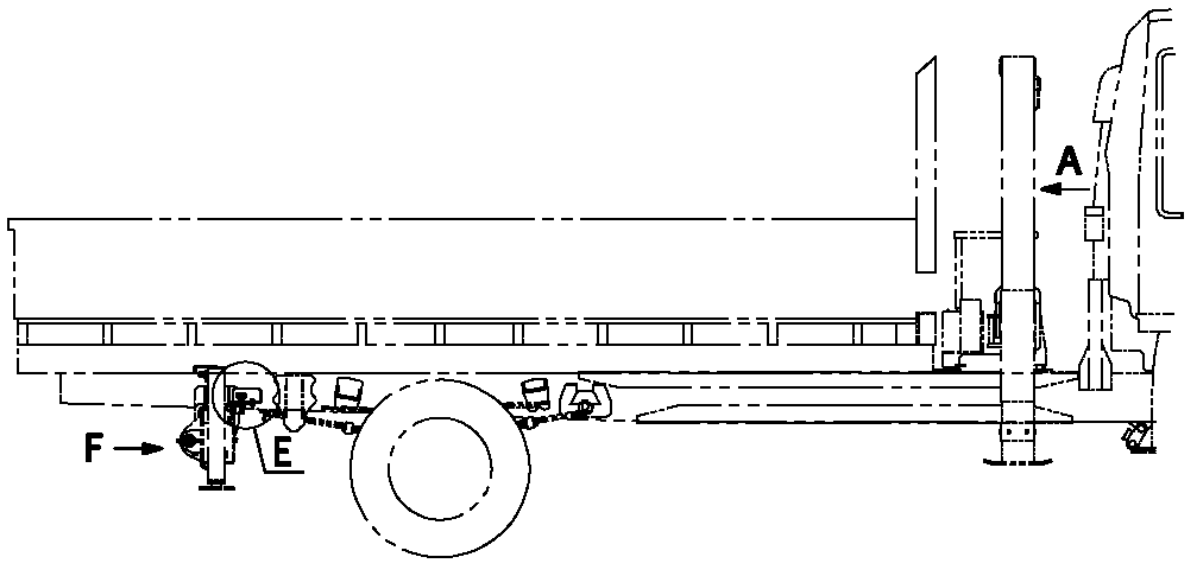
TM-ZE260 41008501214A FRAME/HOOK-IN

Pos No.	Parts No	Parts Name	Qty	Unit	Technical Data	Serial No (Start)	Serial No (End)	Remarks
1	90131506022	BOLT,HEXAGON SOCKET	4		M6X22			
2	90303070601	WASHER,PLAIN	4		6			

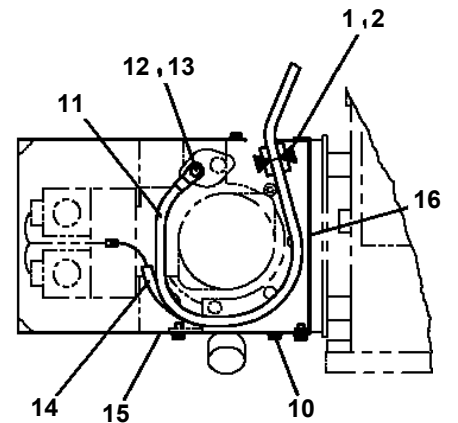
**TM-ZE260 41008501214A FRAME/HOOK-IN
PN1014685-04 ELEC.ASSY**



→ **FRONT**

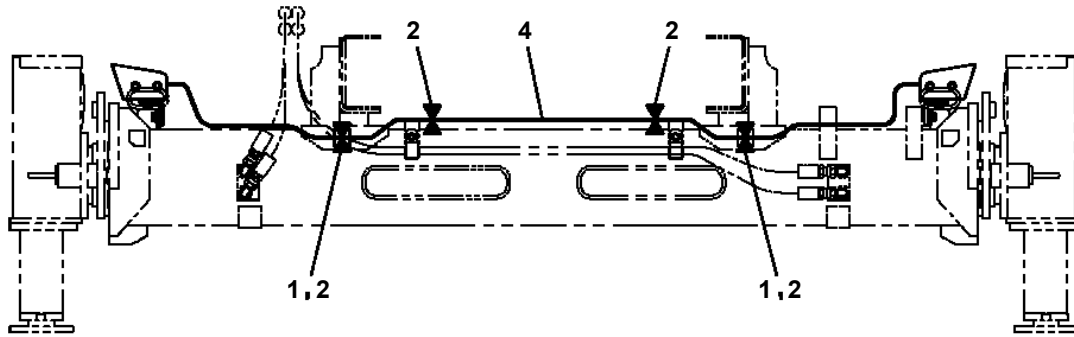
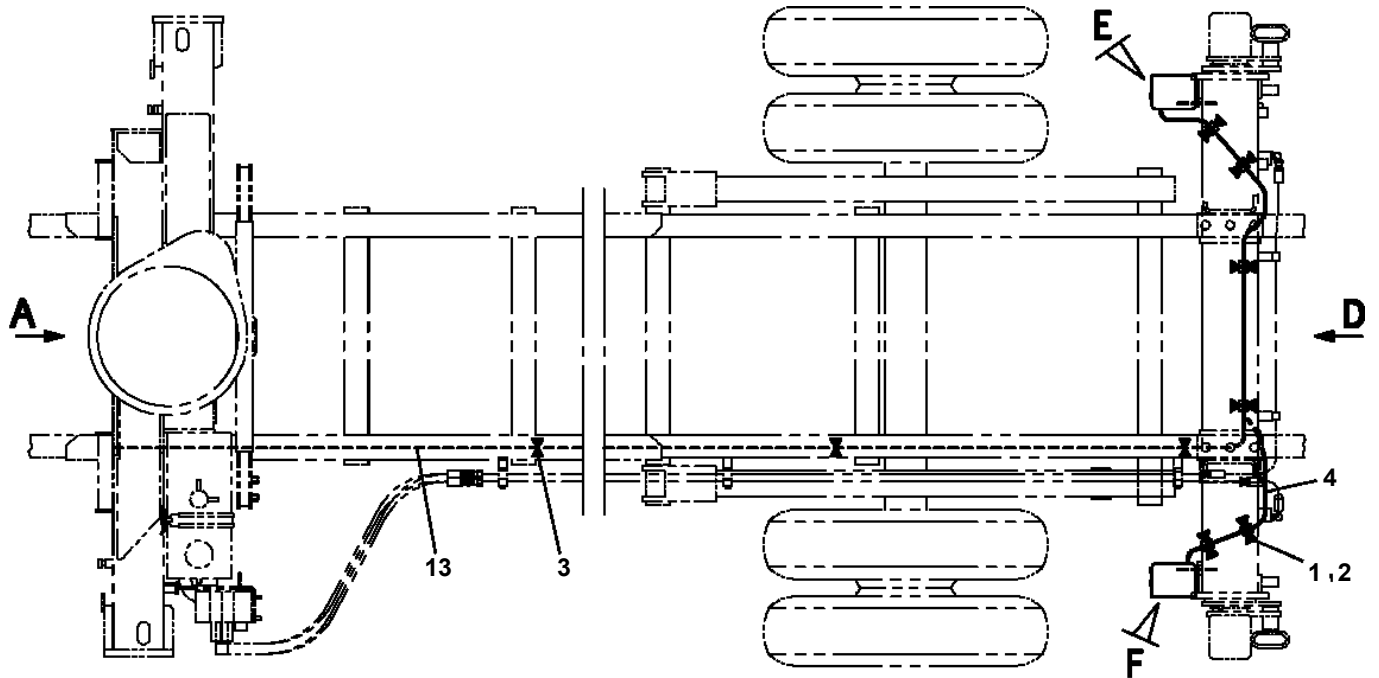


F

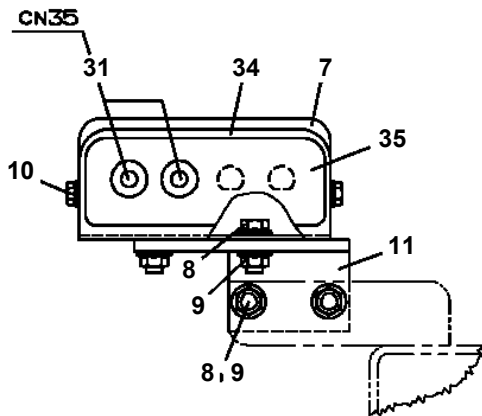


D

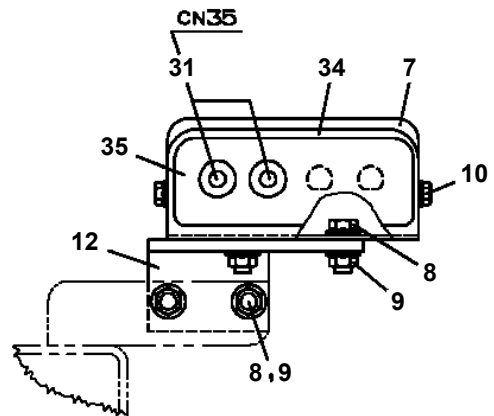
TM-ZE260 41008501214A FRAME/HOOK-IN
 PN1014935-01 ELEC.ASSY (FOR REAR OUTRIGGER)



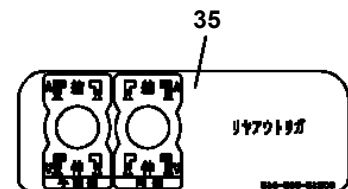
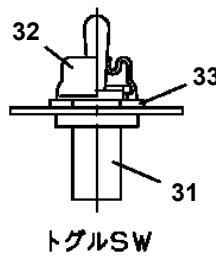
D



F
 左リアアウトリガ

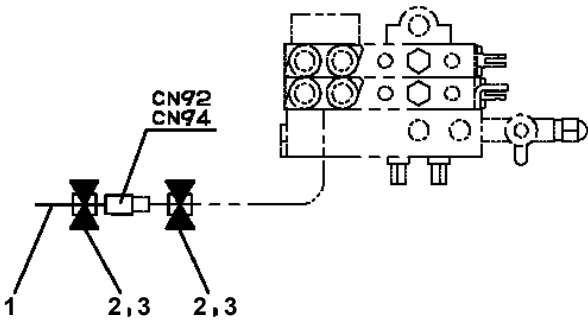
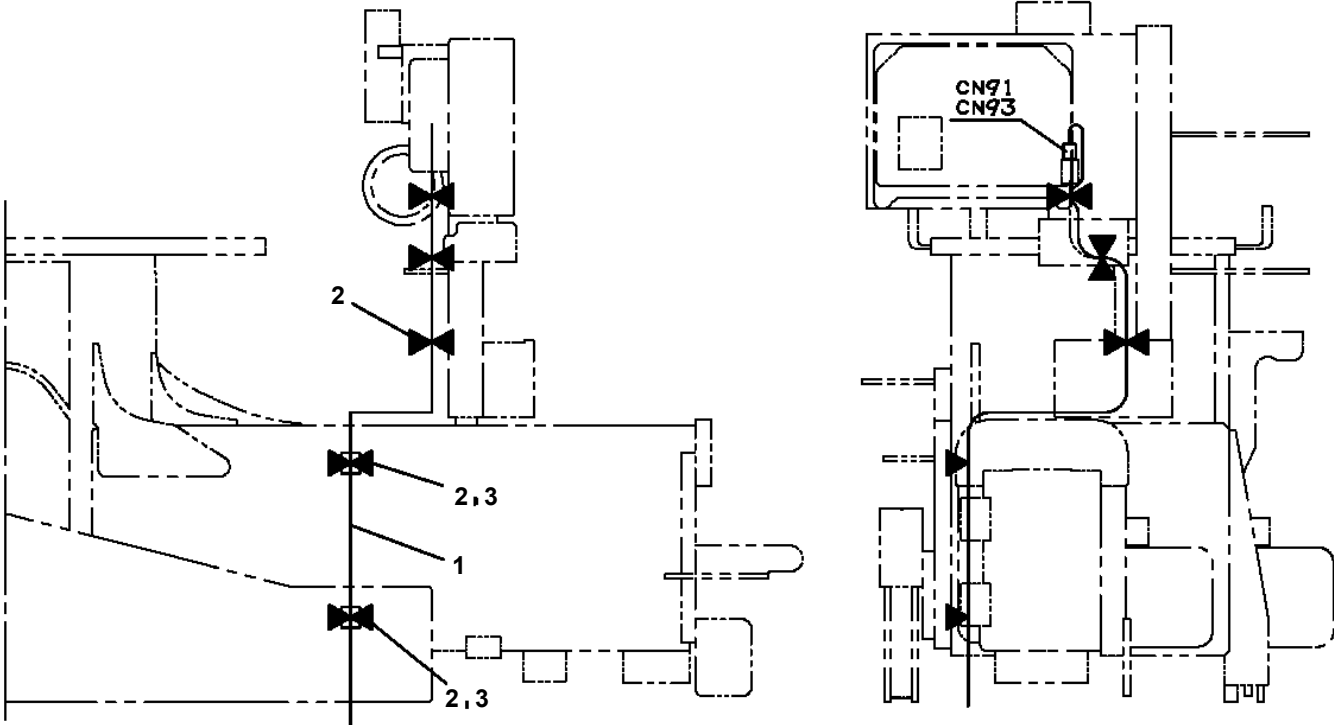


E
 右リアアウトリガ



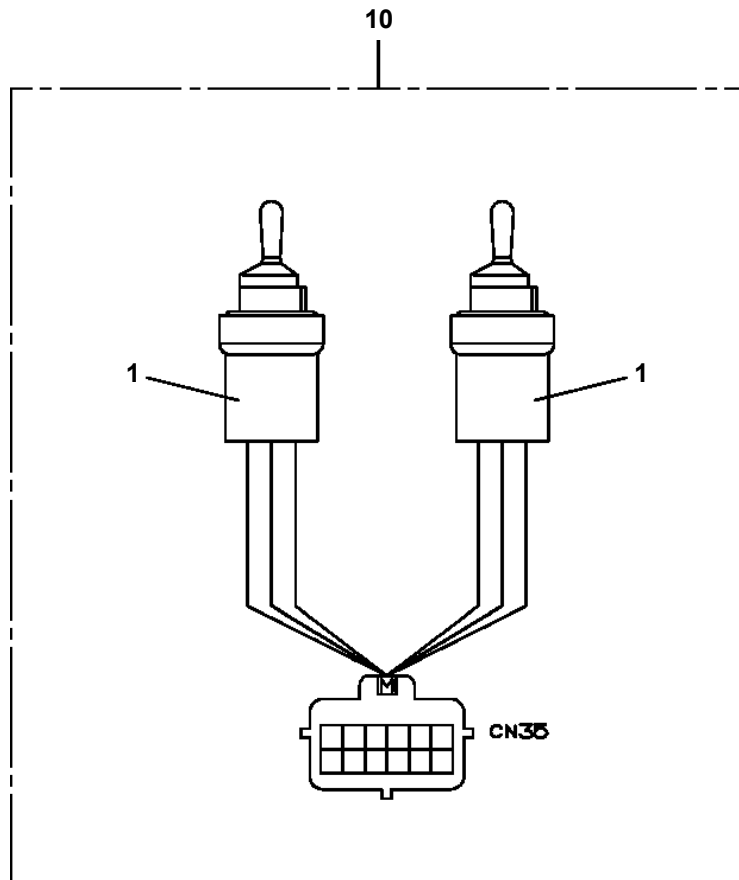
TM-ZE260 41008501214A FRAME/HOOK-IN
PN1014987-00 ELEC.ASSY (HARNESS:FOR CONNECTING MAIN HARNESS)

→ FRONT

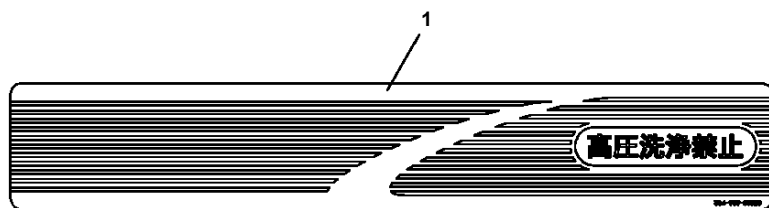
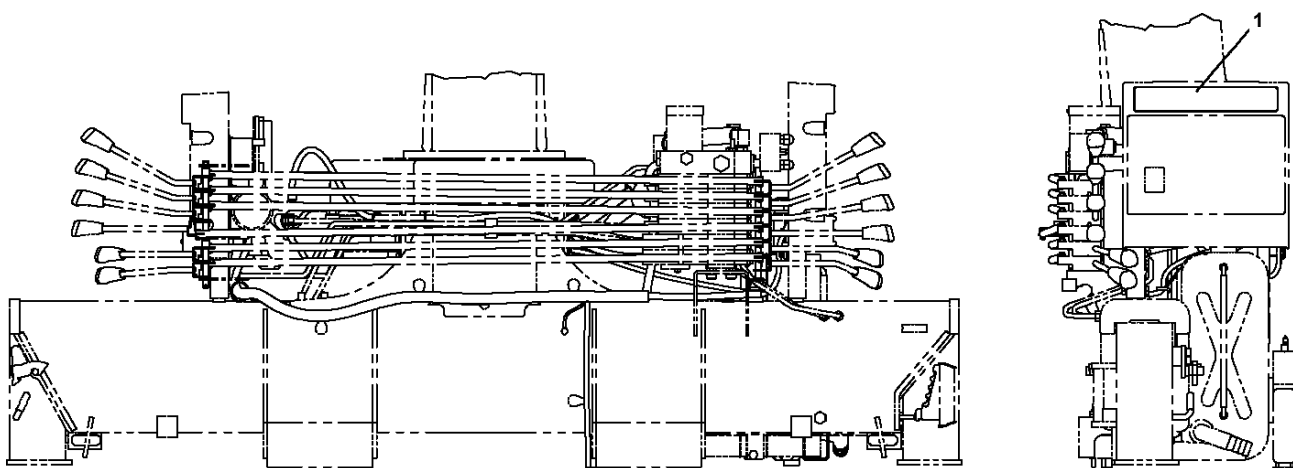


VALVE

**TM-ZE260 41008501214A FRAME/HOOK-IN
PN1140239-00 SWITCH ASSY (WITH HARNESS,2-SW)**



TM-ZE260 41008501214A FRAME/HOOK-IN
PN5010594-00 NAME PLATE ASSY (PANEL UPPER)



TM-ZE260 41008501214A FRAME/HOOK-IN

Pos No.	Parts No	Parts Name	Qty	Unit	Technical Data	Serial No (Start)	Serial No (End)	Remarks
1	31398320100	PLATE,CAUTION	2					
2	31398320200	PLATE,CAUTION	1					
3	31398320400	PLATE,CAUTION	1					
4	31393180100	REFLECTOR (RED)	2					
5	31611300500	PLATE,NAME (WHITE)	4					
6	37002213970	PLATE,NAME (MARKING)	2					

TM-ZE260 41008501214A FRAME/HOOK-IN

Pos No.	Parts No	Parts Name	Qty	Unit	Technical Data	Serial No (Start)	Serial No (End)	Remarks	Pages
1	37002227620	PLATE,NAME	2						
2	37002227630	PLATE,NAME	1						
3	37002227640	PLATE,NAME	2						

TM-ZE260 41008501214A FRAME/HOOK-IN

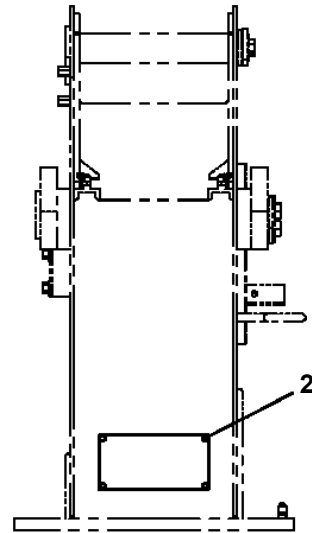
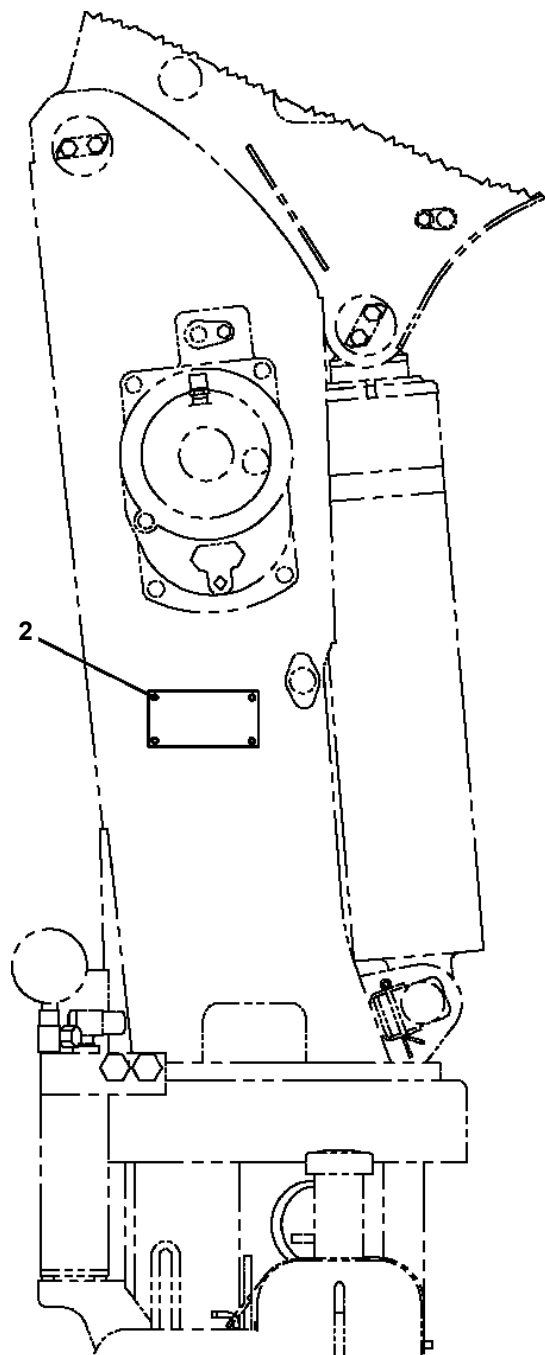
Pos No.	Parts No	Parts Name	Qty	Unit	Technical Data	Serial No (Start)	Serial No (End)	Remarks	Pages
1	37002227620	PLATE,NAME	2						
2	37002227630	PLATE,NAME	2						
3	37002227640	PLATE,NAME	2						
4	37002227650	PLATE,NAME	2						
5	37002233550	PLATE,NAME	2						

TM-ZE260 41008501214A FRAME/HOOK-IN
PO1000185-00 INDICATION PLATES

メイバン
INDICATION PLATES

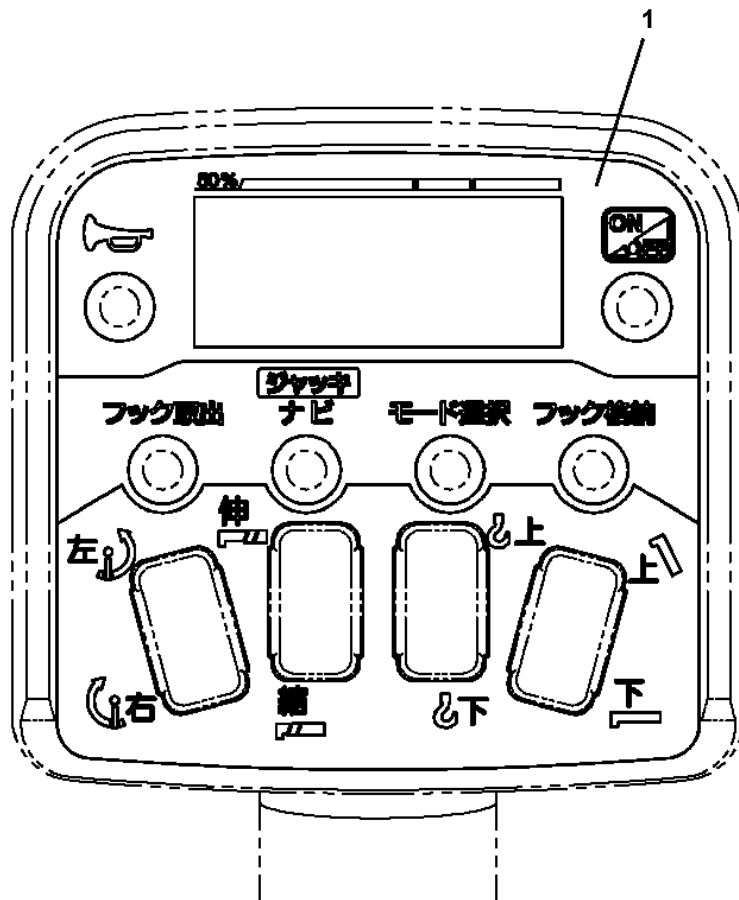
〔組立名称一覧〕より選択してください。
SEE THE CORRESPONDING "ASSEMBLY NAME" LIST.

TM-ZE260 41008501214A FRAME/HOOK-IN
PO1014946-01 PLATE ASSY,NAME (POST)



ZS220
(ポスト前面)

TM-ZE260 41008501214A FRAME/HOOK-IN
PO1015315-01 PLATE ASSY,NAME (SWITCH,BOX)



TM-ZE260 41008501214A FRAME/HOOK-IN
PO1080084-00 PLATE,NAME (NETIS)

当銘板については、弊社出先サービス員経由で御用命ください。

FOR THIS NAMEPLATE, CONTACT
TADANO DISTRIBUTOR OR DEALER.

TM-ZE260 41008501214A FRAME/HOOK-IN

Pos No.	Parts No	Parts Name	Qty	Unit	Technical Data	Serial No (Start)	Serial No (End)	Re
1	(*****)	OPE.ASSY,CONT.VALVE	1					
2	(*****)	NAME PLATE ASSY (KNOB)	1					
3	(*****)	PLATE ASSY,NAME (SWITCH,BOX)	1					

TM-ZE260 41008501214A FRAME/HOOK-IN

Pos No.	Parts No	Parts Name	Qty	Unit	Technical Data	Serial No
1	(*****)	ELEC.ASSY (FRAME)	1			
3	(*****)	RING ASSY,SLIP (CJ NUMBER OF THE ELECTRODES KIT)	1			
4	(*****)	LAMP ASSY (PANEL LAMP)	2			
5	(*****)	ELEC.ASSY (WEARING CONNECTOR FOR CN85/SUB HARNESS)	1			
6	(*****)	ELEC.ASSY (POST:RELAY ASSY)	1			
7	(*****)	ELEC.ASSY (POST)	1			
8	(*****)	NAME PLATE ASSY	1			
9	(*****)	ELEC.ASSY (BOOM/DETECTOR ASSY)	1			
11	(*****)	ELEC.ASSY (LAMP)	1			
13	(*****)	NAME PLATE ASSY (PANEL UPPER)	1			
14	(*****)	NAME PLATE ASSY (BOOM & CONTROL UNIT PANEL)	1			

TM-ZE260 41008501214A FRAME/HOOK-IN

Pos No.	Parts No	Parts Name	Qty	Unit	Technical Data	Serial No (Start)	Serial No (E
2	(*****)	ELEC.ASSY (MOUNT CONTROL UNIT)	1				
3	(*****)	ELEC.ASSY (PULG FOR ANTENNA UNIT)	1				
6	36806571000	CONTROL UNIT	1				

TM-ZE260 41008501214A FRAME/HOOK-IN

Pos No.	Parts No	Parts Name	Qty	Unit	Technical Data	Serial No (Start)	Serial No (End)	Remarks	Pages
50	36652335010	GASKET	2						
51	36652335020	GASKET	2						
54	53063551010	SEAL,OIL	1						
55	80602110360	RING,RITAINING	1		R36				
100	36652840000	PUMP,OIL (32CC:L)	1						

TM-ZE260 41008501214A FRAME/HOOK-IN

Pos No.	Parts No	Parts Name	Qty	Unit	Technical Data	Serial No (Start)	Serial No (End)	Remarks	Pa
1	31731071800	SUPPORT	1						
2	37002464530	HOSE	1		L=1250				
3	37002513450	HOSE	1		L=1450				
4	91810130270	FASTENER	3						
5	80400160203	JOINT (WITH O-RING)	1						
6	80400160182	JOINT (WITH O-RING)	1						
7	91803600400	CLIP	2		D=27-40				
8	80430620800	JOINT	1						
9	80400160189	JOINT	1						
10	31731071701	SUPPORT	1						
11	37000604210	CLAMP	1		D=36				
12	90201780800	NUT	4		M8				
13	90302040801	WASHER,SPRING	4		8				
14	90171110025	BOLT	5		M10X25				
15	90302041001	WASHER,SPRING	4		10				
16	90303071001	WASHER,PLAIN	4		10				
17	90201781000	NUT	4		M10				
18	80481103020	JOINT	4		PF3/8-PF1/4				
19	91002801400	O-RING	10		1B P14				
20	82100001413	TUBE, SPIRAL	1	M	SE-15BK				
21	90186208016	BOLT, FLANGE	1		M8X16				
22	90280200800	NUT, FLANGE	1		M8				
23	91810150020	FASTENER	1		L=488				
24	31732662100	PLATE	1						
25	82100002016	CLAMP	1		WR25				
26	90186208010	BOLT, FLANGE	1		M8X10				
27	37000925030	JOINT	2		PF3/8-PF3/8				
28	80481104046	JOINT	1						
29	91002801800	O-RING	1		1B P18				
30	37000926260	JOINT	2						
31	37000932150	JOINT	2		S,G3/8-G3/8				
51	91002802900	O-RING	1		1B P29				
61	91002801800	O-RING	3		1B P18				

TM-ZE260 41008501214A FRAME/HOOK-IN

Pos No.	Parts No	Parts Name	Qty	Unit	Technical Data	Serial No (Start)	Serial No (End)
2	31631807570	CASE (RING)	1				
4	31631807580	SPACER	1				
11	31631807590	CLAMP (CABLE)	1				
15	31631807600	O-RING	1				
16	31631807620	PACKING	1				
21	31631807610	HOLDER ASSY,BRUSH (WITH BRUSH)	1				
900	31631802000	RING ASSY,SLIP	1				

TM-ZE260 41008501214A FRAME/HOOK-IN

Pos No.	Parts No	Parts Name	Qty	Unit	Technical Data	Serial No (Start)	Serial No (End)	Remarks	Pages
1	90186208014	BOLT,FLANGE	2		M8X14				
2	31657441100	SUPPORT	1						
3	31503231100	PLATE,NAME	1						
4	31657440200	COVER	1						
5	90186206010	BOLT,FLANGE	2		M6X10				

TM-ZE260 41008501214A FRAME/HOOK-IN

Pos No.	Parts No	Parts Name	Qty	Unit	Technical Data	Serial No (Start)	Serial No (End)	Re
1	(*****)	PARTS ASSY,RADIO CONTROLLER	1					

TM-ZE260 41008501214A FRAME/HOOK-IN

Pos No.	Parts No	Parts Name	Qty	Unit	Technical Data	Serial No (Start)	Serial M
329	91002800300	O-RING	1		1B P3		
332	36648365220	BALL,STEEL	1		3/32		
333	36604835020	ROD,PUSH	1				
334	36645495250	SOLENOID ASSY	1				
335	36645495260	RING,BACKUP	1				
336	36646525120	NEEDLE	1				
337	90203200800	NUT	1		M8		
338	36646875150	ORIFICE	1		M3		
341	36647175110	NUT,CAP	1		M8		
343	36635735120	SPRING	1				
344	36603185150	TUBE	1				
346	36647175100	SEAT,SPRING	1				
500	36740840000	VALVE,REMOTE CONTROL	1				

TM-ZE260 41008501214A FRAME/HOOK-IN

Pos No.	Parts No	Parts Name	Qty	Unit	Technical Data	Serial No (Start)	Serial No (End)	Remarks	Pages
1	36800174100	BOX	1						
2	80182306016	SCREW,MACHINE	4		M6X16				
3	36800174300	PLATE,CAUTION	1				LB6100		
4	36803244100	PLATE,NAME	1			LB6101			
5	37002243770	PLATE,NAME	1			LB6101			
31	36800175090	COVER (UPPER)	1						

TM-ZE260 41008501214A FRAME/HOOK-IN

Pos No.	Parts No	Parts Name	Qty	Unit	Technical Data	Serial No (Start)	Serial No (End)	Remarks
7	91001000800	O-RING	1		S8			
8	36646865190	PISTON	1					
9	91001102000	O-RING	1		1A P20			
10	36648365110	FLANGE	1					
11	91001002240	O-RING	1		S22.4			
12	91650001400	SCRAPER	1					
13	36645495210	SEAT,SPRING (RETURN)	2					
14	36646865200	SPOOL (SUB)	1					
15	36645845060	SPRING (RETURN)	1					
16	36633365070	ADAPTER	1					
17	36646865210	SPACER	1					
18	36640625550	PLATE (D)	1					
19	36645615250	C-BOLT	2		M5X25			
20	36633365100	SEAL,OIL	1					
21	36645615240	LINK	1					
22	36645615230	C-BOLT	2		5X12			
23	12635101360	SPOOL	1					
24	12635101190	SPRING	1					
25	36633365090	CAP (CHECK VALVE)	1					
27	91001002200	O-RING	2		S22			
29	36740745140	SCREW,MACHINE	4		M4X12			
30	91001100600	O-RING	5		1A P6			
31	91002905500	O-RING	1		1B G55			
51	36740855030	VALVE,SOLENOID (KIT)	2					
100	36742960031	VALVE,CONTROL	1					

TM-ZE260 41008501214A FRAME/HOOK-IN

Pos No.	Parts No	Parts Name	Qty	Unit	Technical Data	Serial No (Start)	Serial No (End)	Remarks
1	(*****)	OPE.ASSY,ACCELERATOR	1					
2	(*****)	ELEC.ASSY	1					
3	(*****)	PIPING	1					

TM-ZE260 41008501214A FRAME/HOOK-IN
PY2000257-14 OPTION UNIT,2 (COMMON)

指示番号 KEY NO.	部品名称 PART NAME	備考 REMARK
58	ハイセンASSY ELEC.ASSY	格納忘れ警報 (起伏, O/R) 適用号機 ~#KC3106 既納車取付用ハーネス
59	ハイセンASSY ELEC.ASSY	作業灯2灯取付用ハーネス (MH, H, HR, HRE, HRES) ポスト部 (LED) + プーム部 (LED又はハロゲン) に適合
60	ハイセンASSY ELEC.ASSY	旋回範囲制限 (ZE260/290HRE用) 適用号機 #LA7511~ #ET4863~
61	アクセサリASSY ACCESSORIES ASSY	TMラジコン電源入切スイッチ
62	ハイセンASSY ELEC.ASSY	DC12V→DC24Vコンバータ ※取付サポートは現地手配
63	ハーツASSY, AWL PARTS ASSY, AWL	ZE260, 290 6段 ZE300, 360 6段
64	ネームプレートASSY NAME PLATE ASSY	NETIS銘板
65	ハイセンASSY ELEC.ASSY	警報仕様 (定格荷重指示装置) HRT・HRE・HRES用
66	ハイセンASSY ELEC.ASSY	停止仕様 (定格荷重制限装置) HRT・HRE・HRES用
71	アラームASSY ALARM ASSY	アウトリガ格納忘れ警報装置 適用号機 ~#LA7510 (M・MH・H・HR・HRE・HRES用) ~#ET4878
72	アラームASSY ALARM ASSY	O/R格納忘れ警報 適用号機 #LA7511~ (M・MH・H・HR・HRE・HRES) #ET4879~
73	アラームASSY ALARM ASSY	アウトリガ格納忘れ警報装置追加パーツ 適用号機 ~#LA7510 (起伏格納忘れ警報装置付用) ~#ET4878
74	アラームASSY ALARM ASSY	O/R格納忘れ警報追加 (起伏格納忘れ付用) 適用号機 #LA7511~ #ET4863~
75	アラームASSY ALARM ASSY	起伏格納忘れ警報装置 適用号機 ~#LA7300 (M・MH用) ~#ET4862
76	アラームASSY ALARM ASSY	起伏格納忘れ警報 適用号機 #LA7301~ (M・MH) #ET4879~
77	アラームASSY ALARM ASSY	起伏格納忘れ警報装置 適用号機 ~#LA7510 (H・HR・HRE・HRES用) ~#ET4878
78	アラームASSY ALARM ASSY	起伏格納忘れ警報 適用号機 #LA7511~ (H・HR・HRE・HRES) #ET4863~

適用製造番号によっては取り付けがないものもあります。

MACHINES OF SOME SERIAL NO. ARE NOT EQUIPPED WITH THESE PARTS.

**TM-ZE260 41008501214A FRAME/HOOK-IN
PY5170035-03 ALARM ASSY (BOOM LOWERING & OUTRIGGER STOWING REMIND**

<p>指示番号 KEY NO.</p>	<p>ZE250, ZE260, ZE290: アラームASSY (キフク, アウトリカ* カクノウワスレ/H, R, HR, HRE, HRES) ALARM ASSY (BOOM LOWERING & OUTRIGGER STOWING REMINDER ALARM/H, R, HR, HRE, HRES)</p> <p>ZE300, ZE360: アラームASSY (キフク, アウトリカ* カクノウワスレ/HR, HRE) ALARM ASSY (BOOM LOWERING & OUTRIGGER STOWING REMINDER ALARM/HR, HRE)</p> <p>ZE500: アラームASSY (キフク, アウトリカ* カクノウワスレ/H, HR, HE, HRE, HREN) ALARM ASSY (BOOM LOWERING & OUTRIGGER STOWING REMINDER ALARM/H, HR, HE, HRE, HREN)</p>
<p>1</p>	<p>アラームASSY ALARM ASSY</p>
<p>2 ↓ N/A</p>	<p>ハイセンASSY (キフク, フレーム*) ELEC. ASSY (BOOM ELEVATING, FRAME)</p>
<p>4</p>	<p>ハイセンASSY (カソウシヤリヨウ*) ELEC. ASSY (CARRIER)</p>
<p>6</p>	<p>プレートASSY, ネーム PLATE ASSY, NAME</p>
<p>7</p>	<p>ハイセンASSY (キユウハーネスヘンカンヨウ) ELEC. ASSY (HARNESS)</p>

適用製造番号によっては取り付けがないものもあります。

MACHINES OF SOME SERIAL NO. ARE NOT EQUIPPED WITH THESE PARTS.

TM-ZE260 41008501214A FRAME/HOOK-IN
 PY5170041-03 ALARM ASSY(BOOM LOWERING & OUTRIGGER STOWING REMIND

指示番号 KEY NO.	ZE250, ZE260, ZE290: アラームASSY (キフク, アウトリガ* カクノウワスレケイホウ/M, MH) ALARM ASSY (BOOM LOWERING & OUTRIGGER STOWING REMINDER ALARM/M, MH) ZE300, ZE360, ZE500: アラームASSY (キフク, アウトリガ* カクノウワスレケイホウ/MH) ALARM ASSY (BOOM LOWERING & OUTRIGGER STOWING REMINDER ALARM/MH)
1	アラームASSY ALARM ASSY
2	ハイセンASSY (フレームフ*) ELEC. ASSY (FRAME)
3	ハイセンASSY (キャリヤフ*) ELEC. ASSY (CARRIER)
5	プレートASSY, ネーム PLATE ASSY, NAME
6	ハイセンASSY (キユウハーネスヘンカンヨウ) ELEC. ASSY (HARNESS)

適用製造番号によっては取り付けがないものもあります。

MACHINES OF SOME SERIAL NO. ARE NOT EQUIPPED WITH THESE PARTS.

**TM-ZE260 41008501214A FRAME/HOOK-IN
PY5170067-00 ALARM ASSY (ELEVATION STOWING REMINDER)**

アラームASSY (キフクカクノウワスレケイホウ)
ALARM ASSY (ELEVATION STOWING REMINDER)

指示番号 KEY NO.	部品名称 PART NAME	備考 REMARK
2	ハイセンASSY ELEC.ASSY	フレーム部
3	ハイセンASSY ELEC.ASSY	架装車両部
5	プレートASSY,ネーム PLATE ASSY,NAME	フレーム格納忘れ警報装置付

適用製造番号によっては取り付けがないものもあります。

MACHINES OF SOME SERIAL NO. ARE NOT EQUIPPED WITH THESE PARTS.

CLICK HERE TO **DOWNLOAD** THE COMPLETE MANUAL

- Thank you very much for reading the preview of the manual.
- You can download the complete manual from: www.heydownloads.com by clicking the link below



- Please note: If there is no response to CLICKING the link, please download this PDF first and then click on it.

CLICK HERE TO **DOWNLOAD** THE COMPLETE MANUAL