

TM-ZE260 41008404456A FRAME/HOOK-IN,SAFETY EYES,WITH RJ
PB0000219-02 SYSTEM (ZE260,RUSSIA)
ASSEMBLY

CLICK HERE TO **DOWNLOAD** THE COMPLETE MANUAL

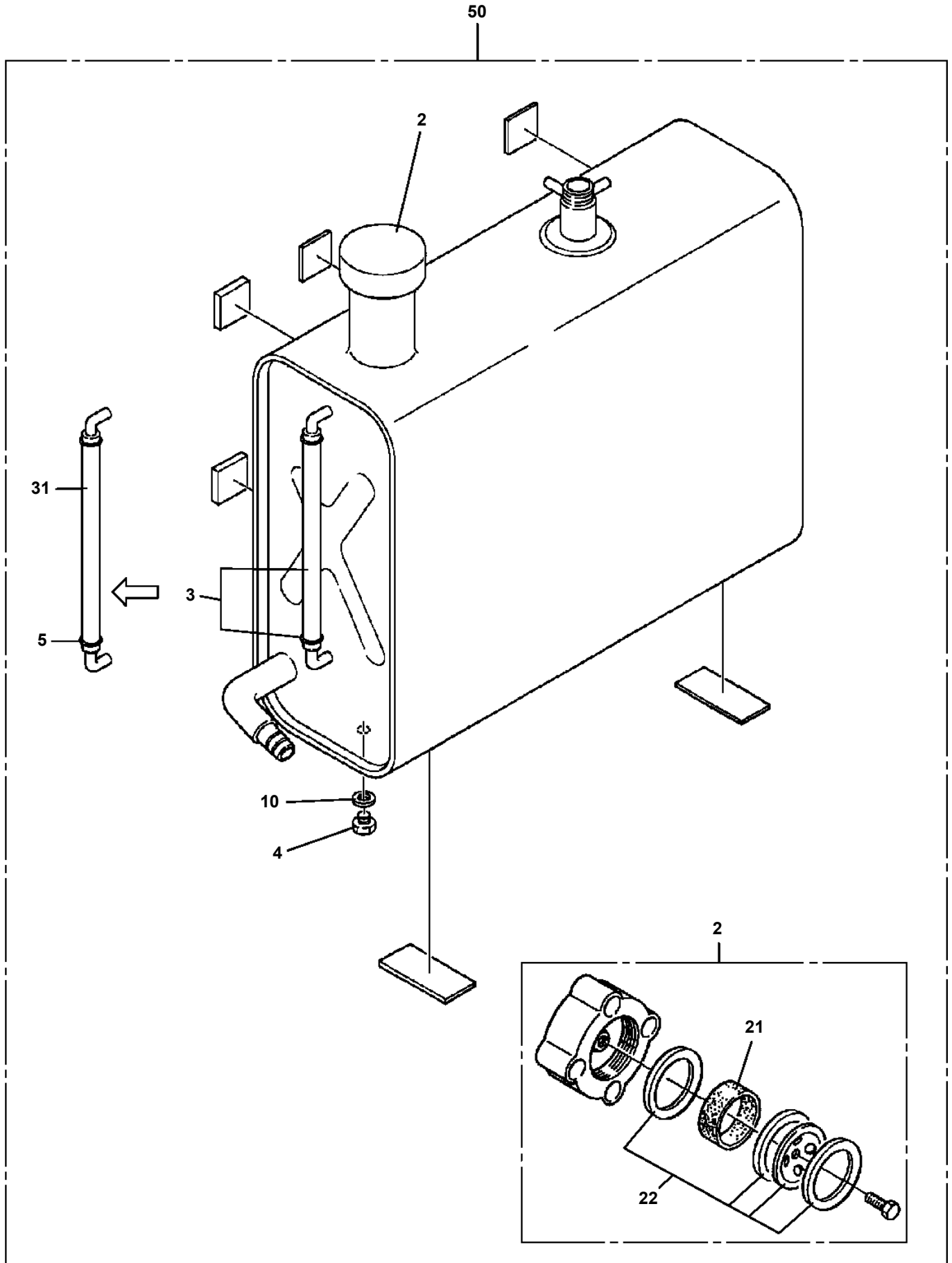
- Thank you very much for reading the preview of the manual.
- You can download the complete manual from: www.heydownloads.com by clicking the link below



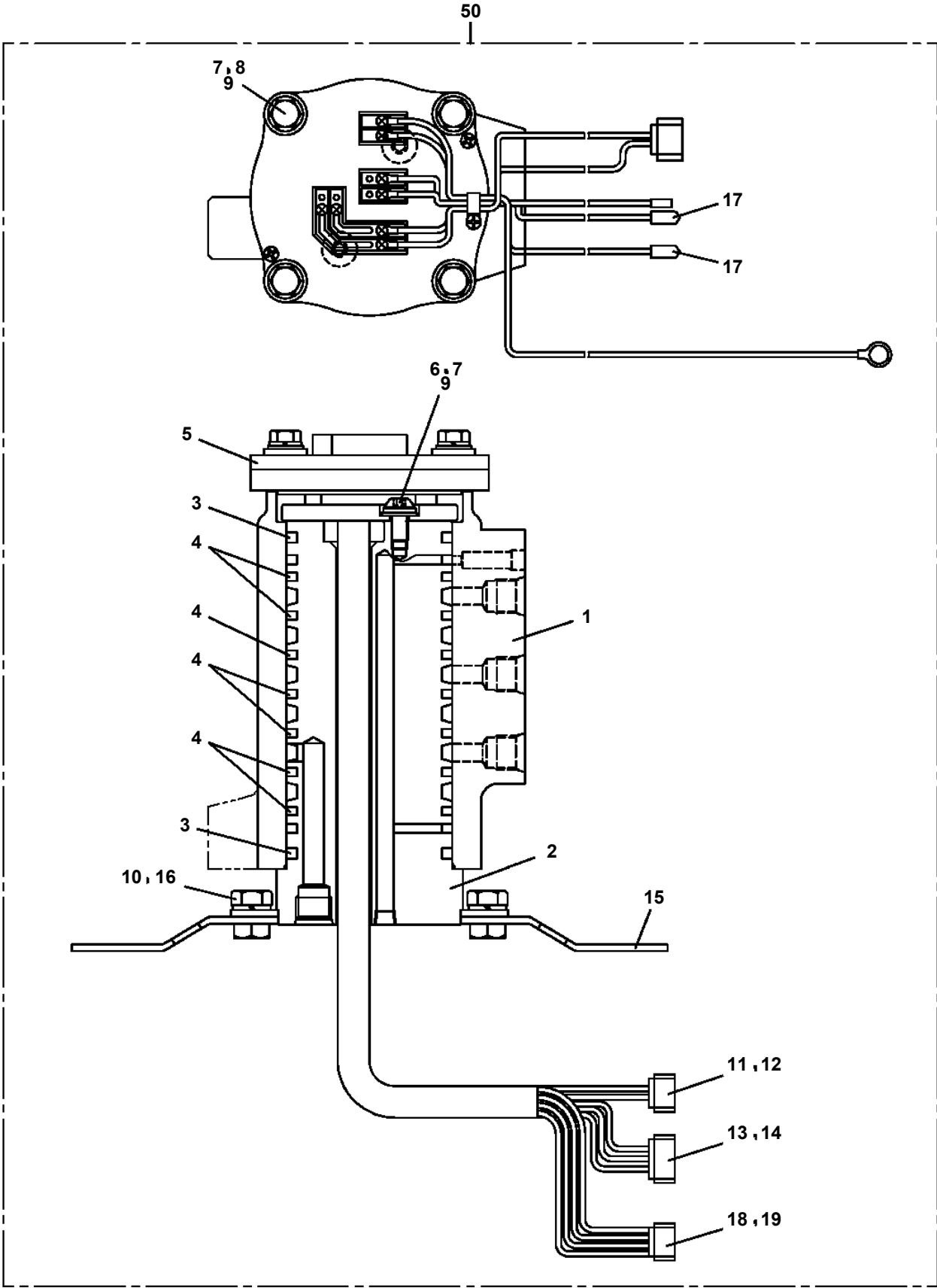
- Please note: If there is no response to CLICKING the link, please download this PDF first and then click on it.

CLICK HERE TO **DOWNLOAD** THE COMPLETE MANUAL

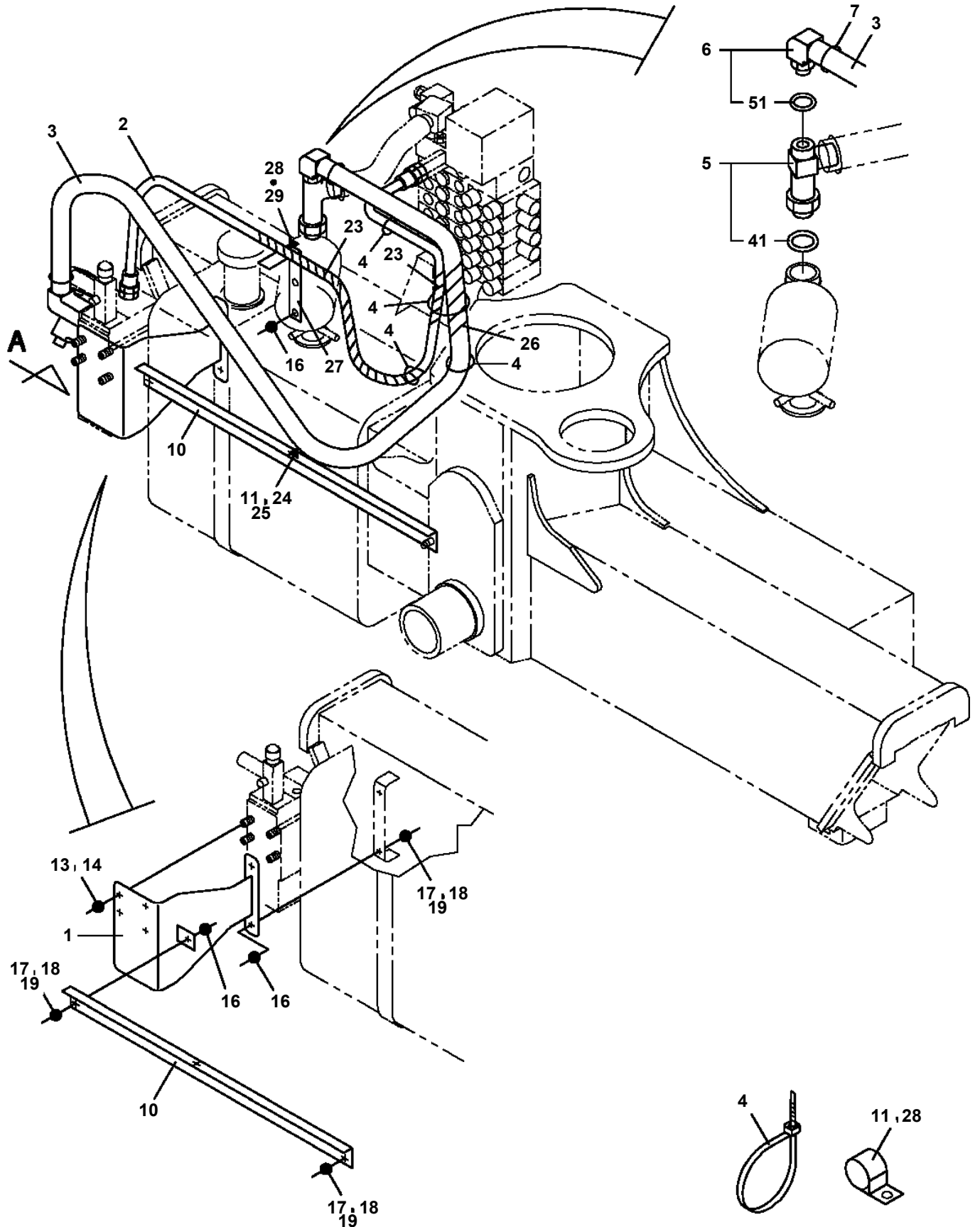
TM-ZE260 41008404456A FRAME/HOOK-IN,SAFETY EYES,WITH RJ
PB1130126-02 TANK,OIL



TM-ZE260 41008404456A FRAME/HOOK-IN,SAFETY EYES,WITH RJ
PB1300514-00 JOINT,ROTARY



**TM-ZE260 41008404456A FRAME/HOOK-IN,SAFETY EYES,WITH RJ
PB1910220-04 PIPING (OPT.VALVE-MAIN VALVE)**



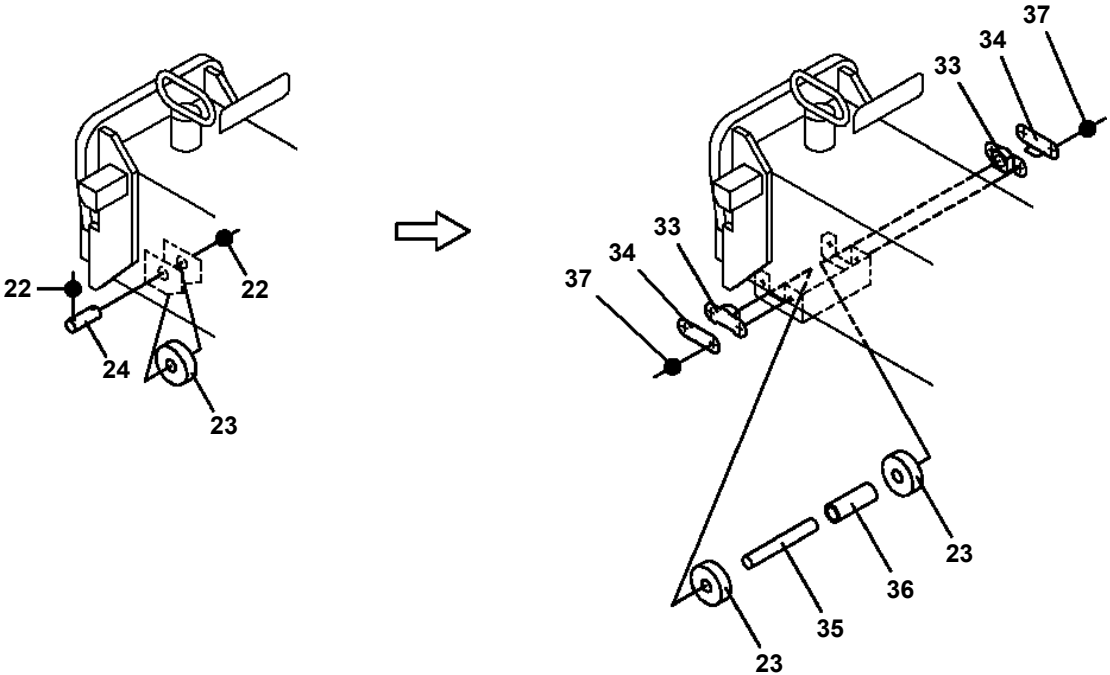
注 意：本図は参考用に掲載しており、形状などは実機と異なります。

NOTE:THE ABOVE FIGURE IS FOR REFERENCE AND MAY DIFFER FROM THE ACTUAL APPEARANCE OF YOUR MACHINE.

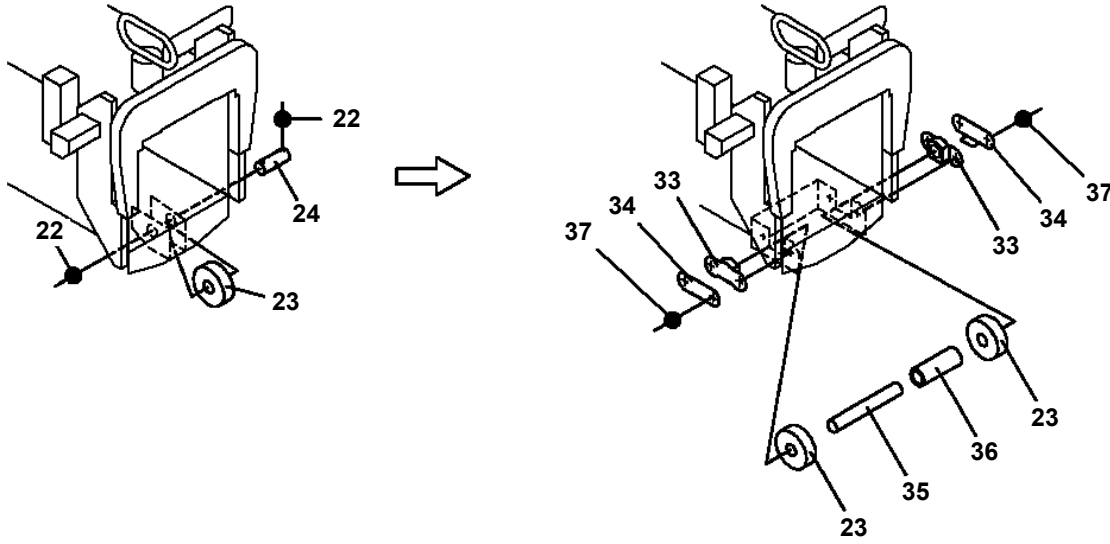
TM-ZE260 41008404456A FRAME/HOOK-IN,SAFETY EYES,WITH RJ

Pos No.	Parts No	Parts Name	Qty	Unit	Technical Data	Serial No (Start)	Serial No (End)	Remark
1	(*****)	OUTRIGGER	2					
2	(*****)	LOCK ASSY	1					
3	(*****)	PIPING,OUTRIGGER	1					
4	(*****)	OUTRIGGER (STOPPER ASSY)	1					

**TM-ZE260 41008404456A FRAME/HOOK-IN,SAFETY EYES,WITH RJ
PC1020106-03 OUTRIGGER,REAR (FRAME)**

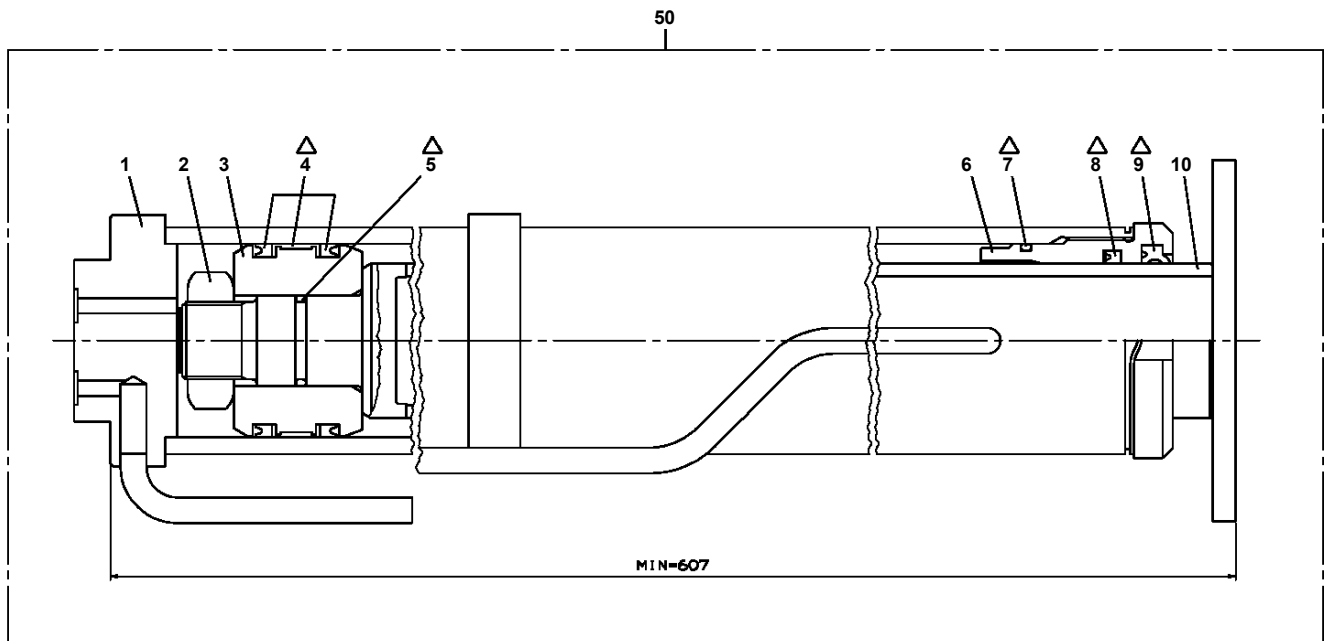


B



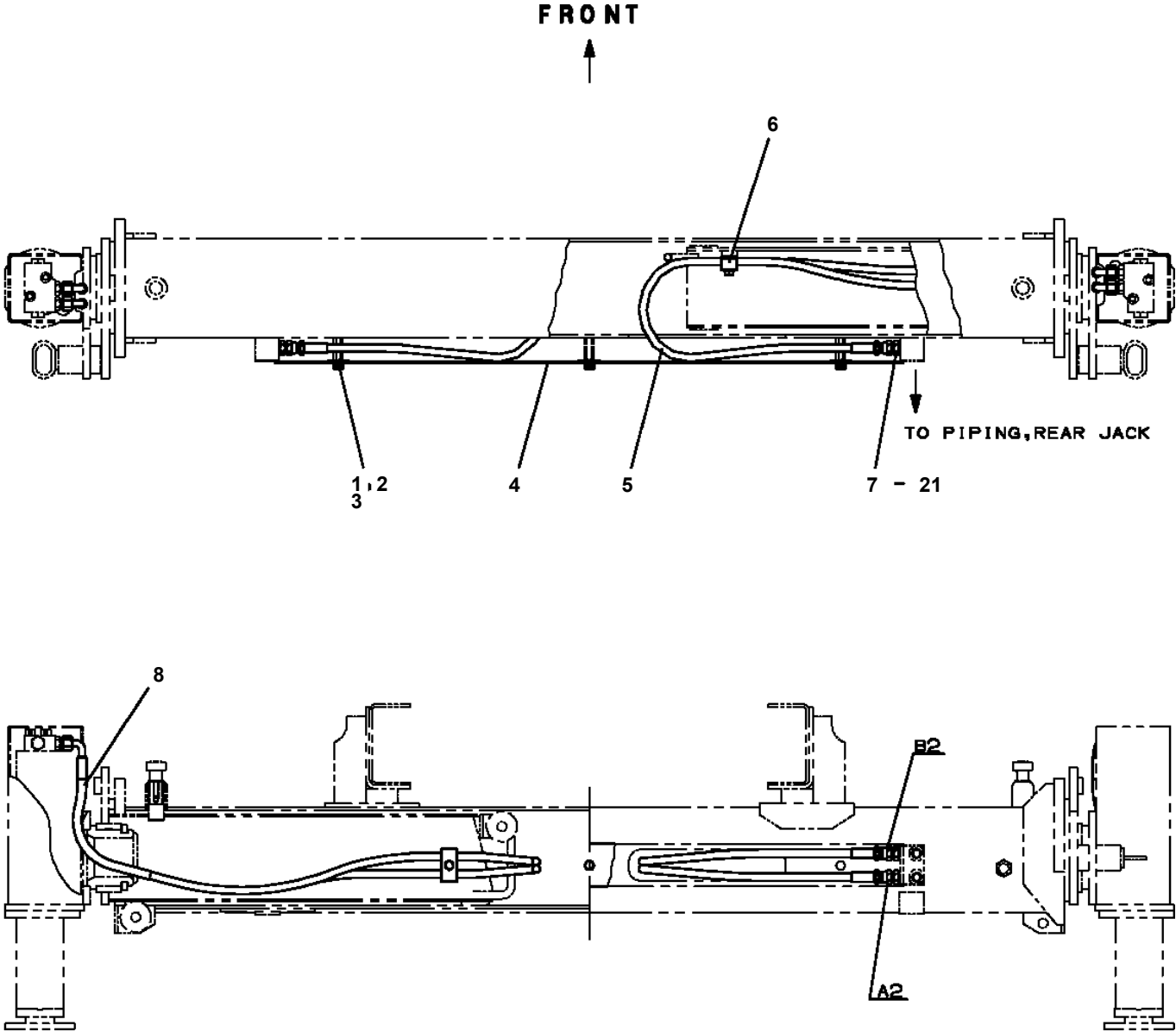
C

**TM-ZE260 41008404456A FRAME/HOOK-IN,SAFETY EYES,WITH RJ
PC1030468-02 CYLINDER ASSY,JACK (FRICTION-WELDED,MIN.607)**

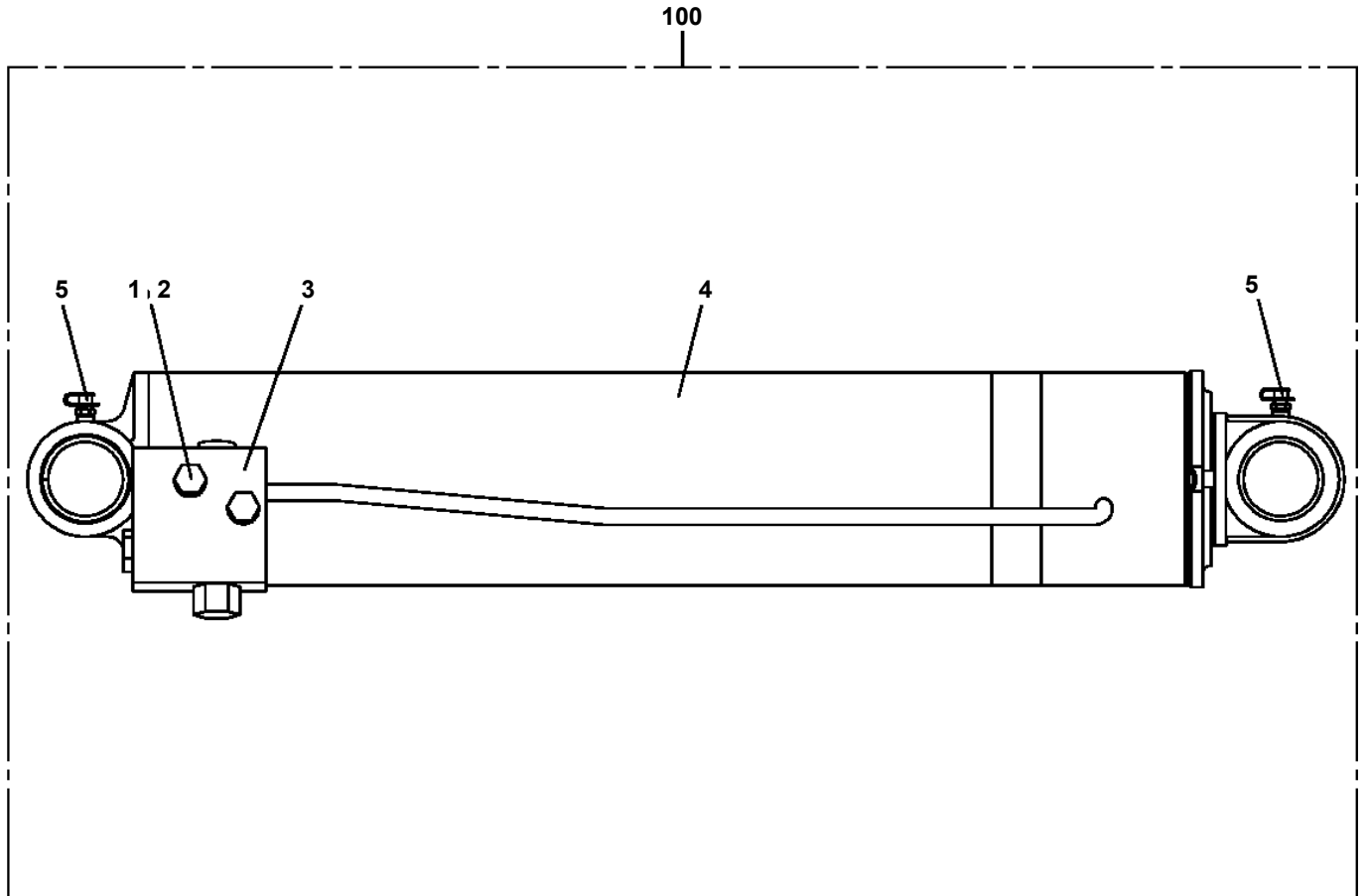


Δ:PACKING SET KEY NO.30 (KEY NO.4,5,7,8,9)

**TM-ZE260 41008404456A FRAME/HOOK-IN,SAFETY EYES,WITH RJ
PC1230019-01 PIPING,REAR JACK (2,ROTARY)**



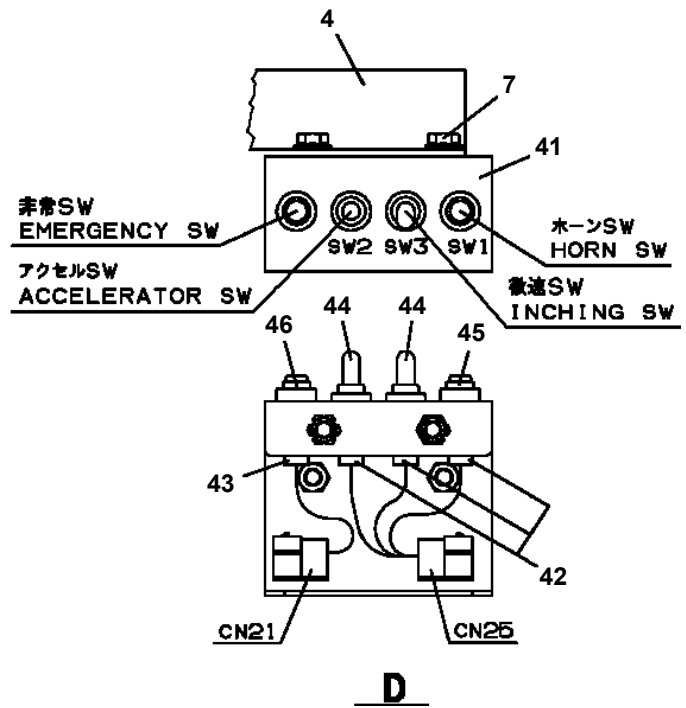
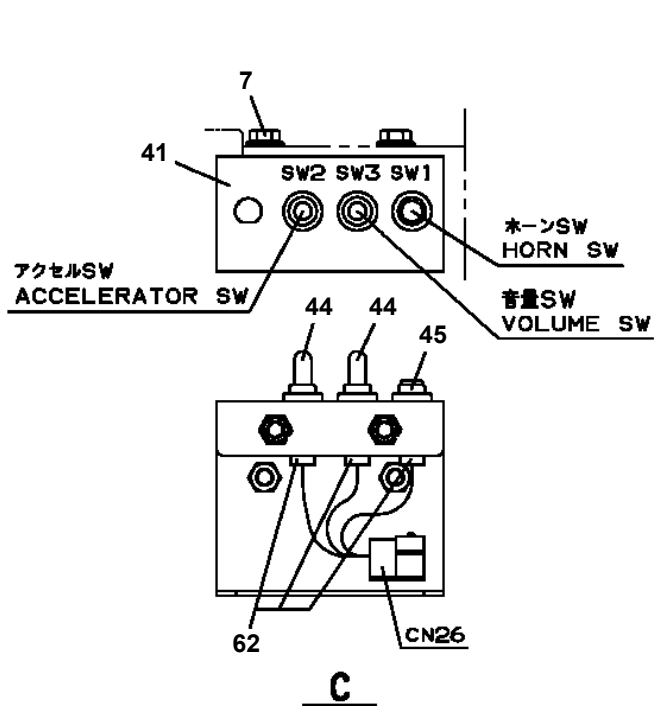
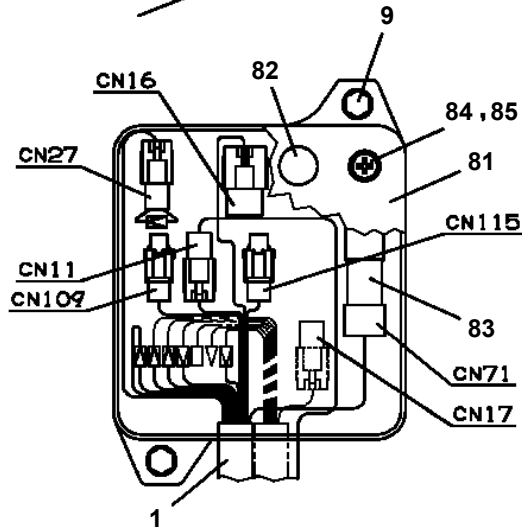
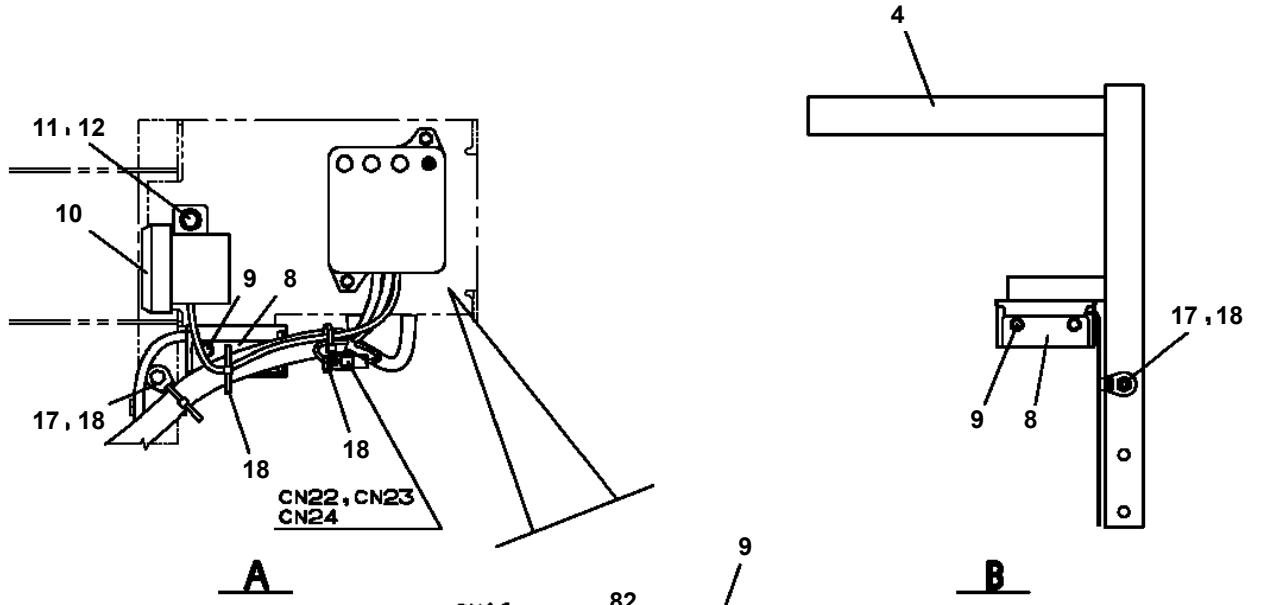
**TM-ZE260 41008404456A FRAME/HOOK-IN,SAFETY EYES,WITH RJ
PE1010513-01 DERRICK ASSY (WITH COUNTERBALANCE VALVE)**



TM-ZE260 41008404456A FRAME/HOOK-IN,SAFETY EYES,WITH RJ

Pos No.	Parts No	Parts Name	Qty	Unit	Technical Data	Serial No (Start)	Serial No (End)
1	91850310405	CLAMP (BLACK)	4				
2	91810130240	FASTENER	19				
3	91810130250	FASTENER	5				
5	31657280200	COVER	2				
6	90186208020	BOLT,FLANGE	8		M8X20		
7	90280200800	NUT,FLANGE	8		M8		
8	31653470100	SUPPORT	1				
9	31653470200	SUPPORT	1				
10	90186206010	BOLT,FLANGE	12		M6X10		
11	31611614300	HARNESS	1		L=10000		
12	82100002503	TERMINAL	1				
13	82100001226	INSULATOR	1				
14	31656330200	HARNESS	1				
15	31611614500	COVER	1				
16	31611614400	COVER	1				
17	82100000192	TERMINAL	1				
18	82100000182	INSULATOR	1				
19	31478092200	HARNESS	1		L=100		
20	82115001005	CONNECTOR	1				
31	31653322200	SWITCH ASSY (WITH HARNESS,2-SW)	2				
32	82199514013	CAP	4				
33	82199504017	NUT	4		AT-401N		
34	31657282100	SUPPORT	2				
35	31656681200	PLATE,NAME	2				

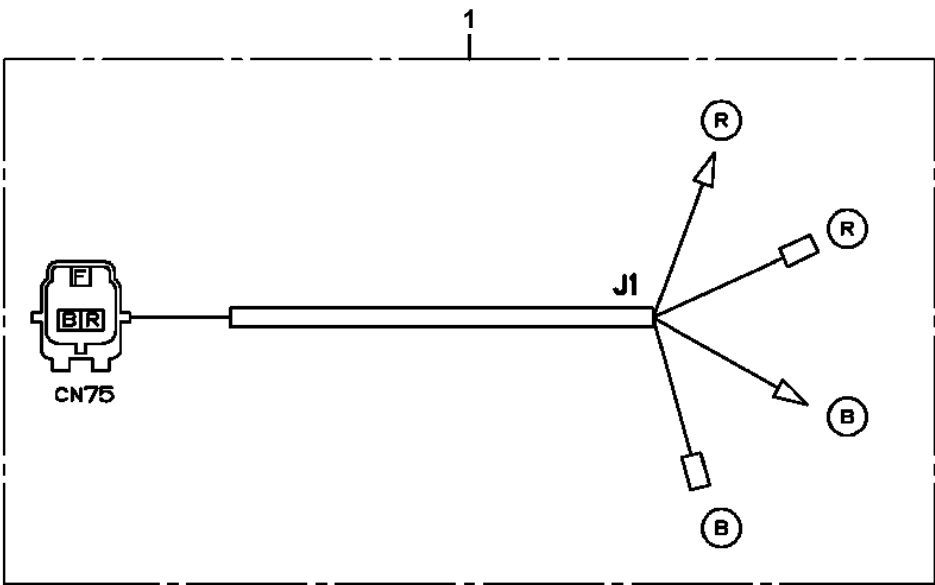
TM-ZE260 41008404456A FRAME/HOOK-IN,SAFETY EYES,WITH RJ PE5021064-00 ELEC.ASSY (FRAME SWITCH)



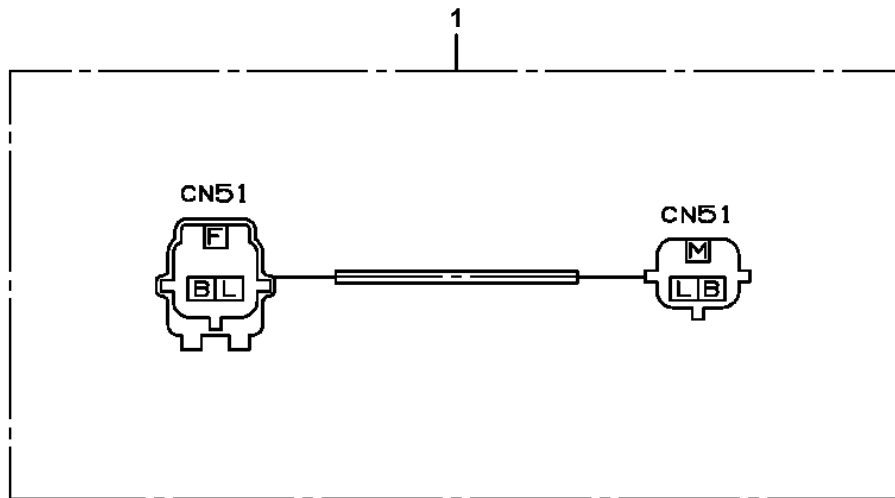
TM-ZE260 41008404456A FRAME/HOOK-IN,SAFETY EYES,WITH RJ

Pos No.	Parts No	Parts Name	Qty	Unit	Technical Data	Serial No (Start)	Serial No (End)	Remarks
1	31310647530	GEAR,SPUR	1					
2	31310647540	PIN	2					
3	31310647550	DRUM	1					
4	80516006306	BEARING,BALL	1					
5	80516006206	BEARING,BALL	1					
6	90172410025	BOLT,HEXAGON SOCKET	4		M10X25			
7	90302041001	WASHER,SPRING	4		10			
100	31310641300	DRUM,WINCH (Y.G.TEC)	1					

TM-ZE260 41008404456A FRAME/HOOK-IN,SAFETY EYES,WITH RJ
PH5030656-00 HARNESS



**TM-ZE260 41008404456A FRAME/HOOK-IN,SAFETY EYES,WITH RJ
PH5031870-00 HARNESS (L=1460)**



CLICK HERE TO **DOWNLOAD** THE COMPLETE MANUAL

- Thank you very much for reading the preview of the manual.
- You can download the complete manual from: www.heydownloads.com by clicking the link below

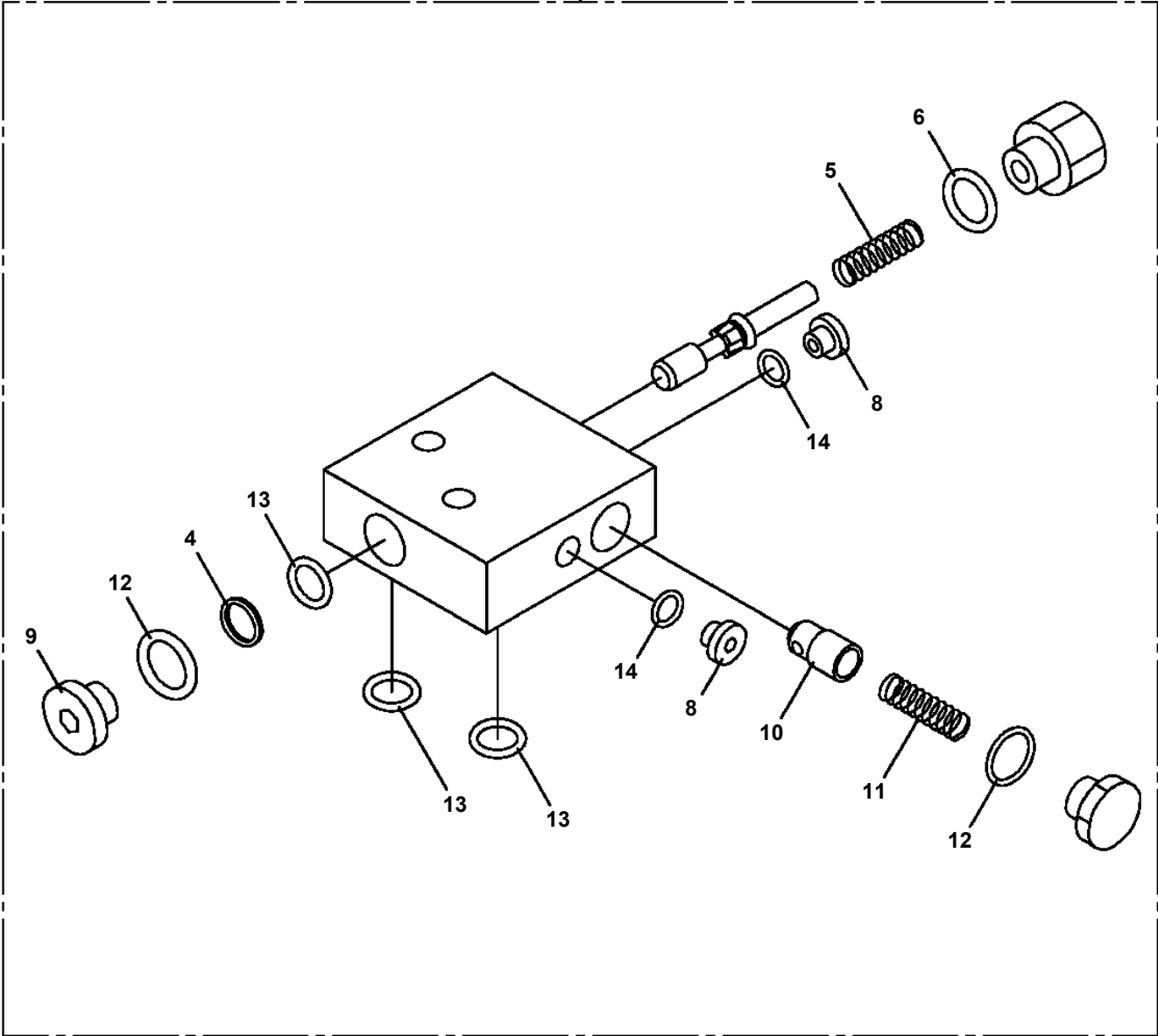


- Please note: If there is no response to CLICKING the link, please download this PDF first and then click on it.

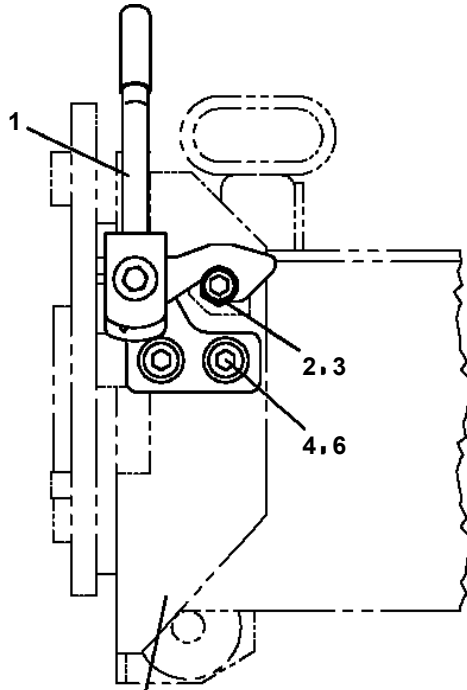
CLICK HERE TO **DOWNLOAD** THE COMPLETE MANUAL

TM-ZE260 41008404456A FRAME/HOOK-IN,SAFETY EYES,WITH RJ
PI1250160-02 VALVE,COUNTERBALANCE

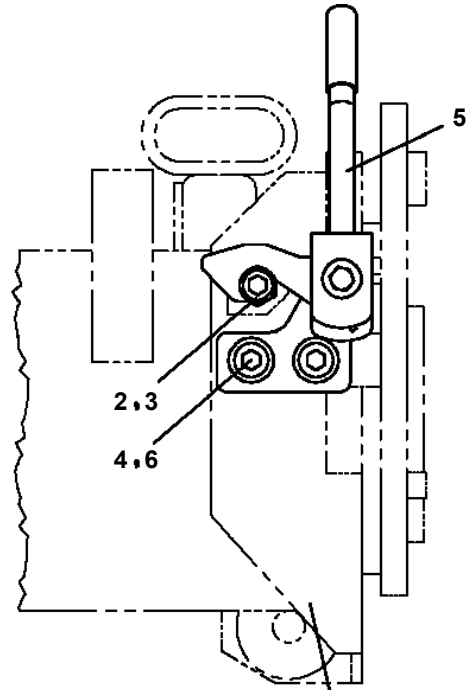
50



**TM-ZE260 41008404456A FRAME/HOOK-IN,SAFETY EYES,WITH RJ
PJ3410036-02 LOCK ASSY**

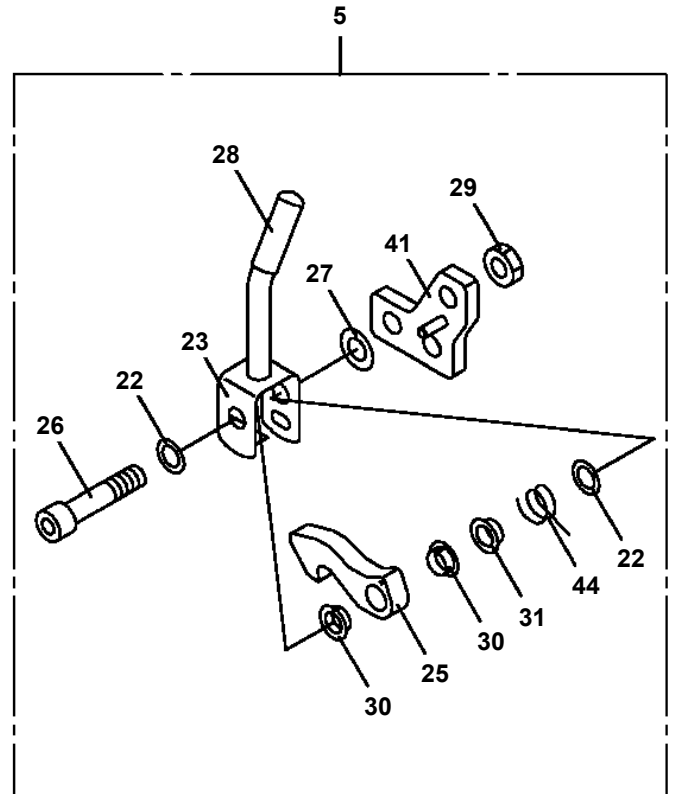
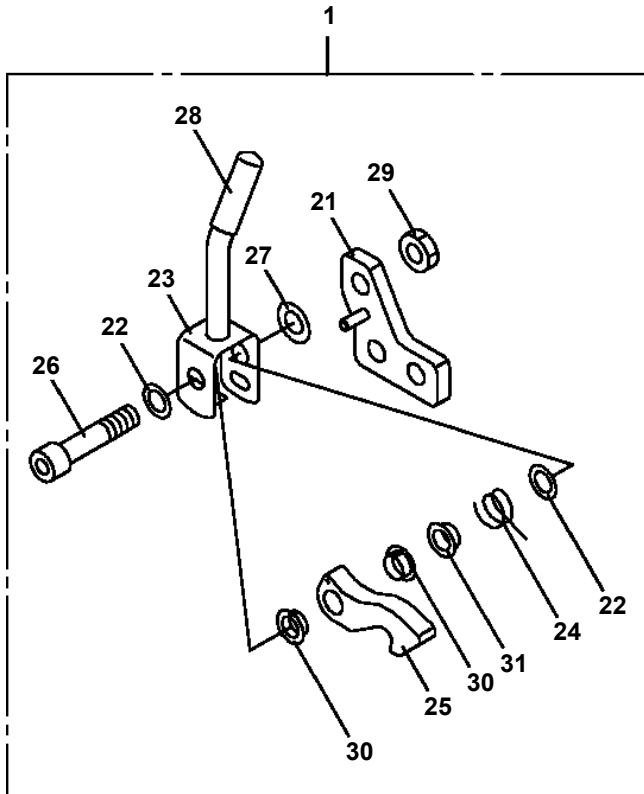


左リアアウトリガ
REAR OUTRIGGER
LEFT SIDE

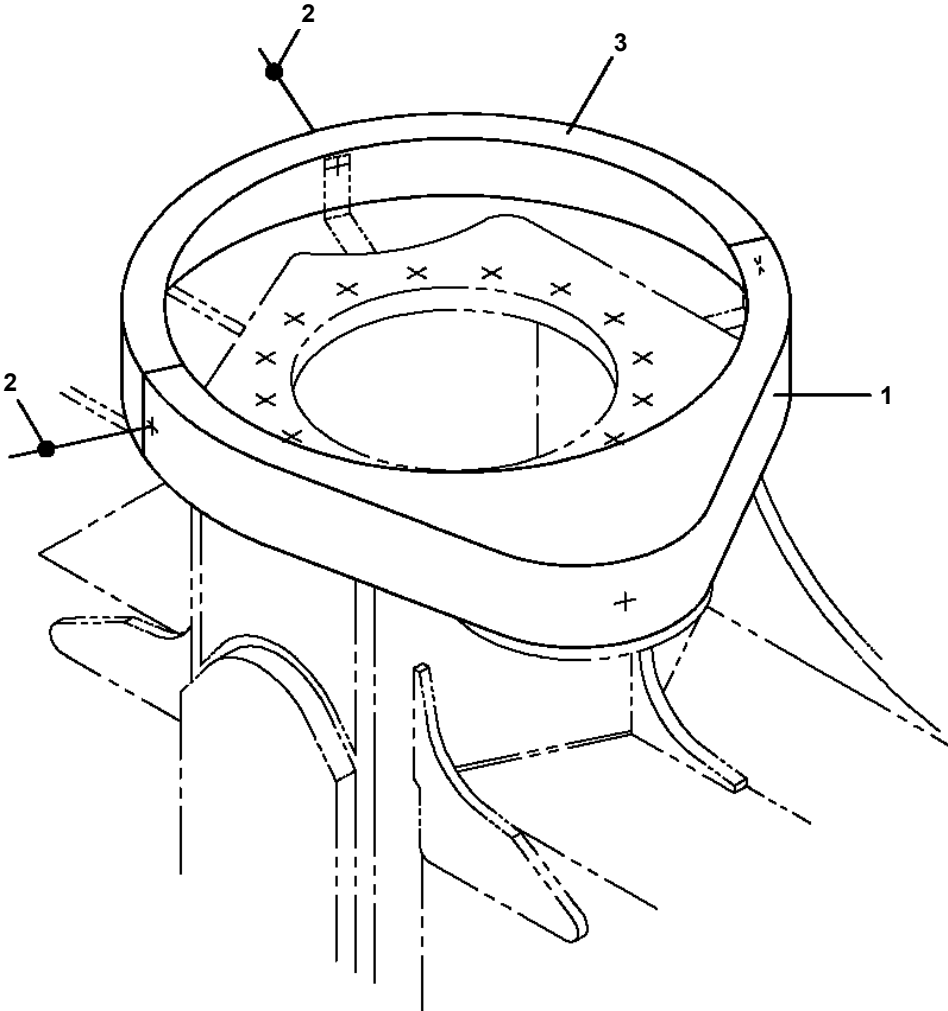


右リアアウトリガ
REAR OUTRIGGER
RIGHT SIDE

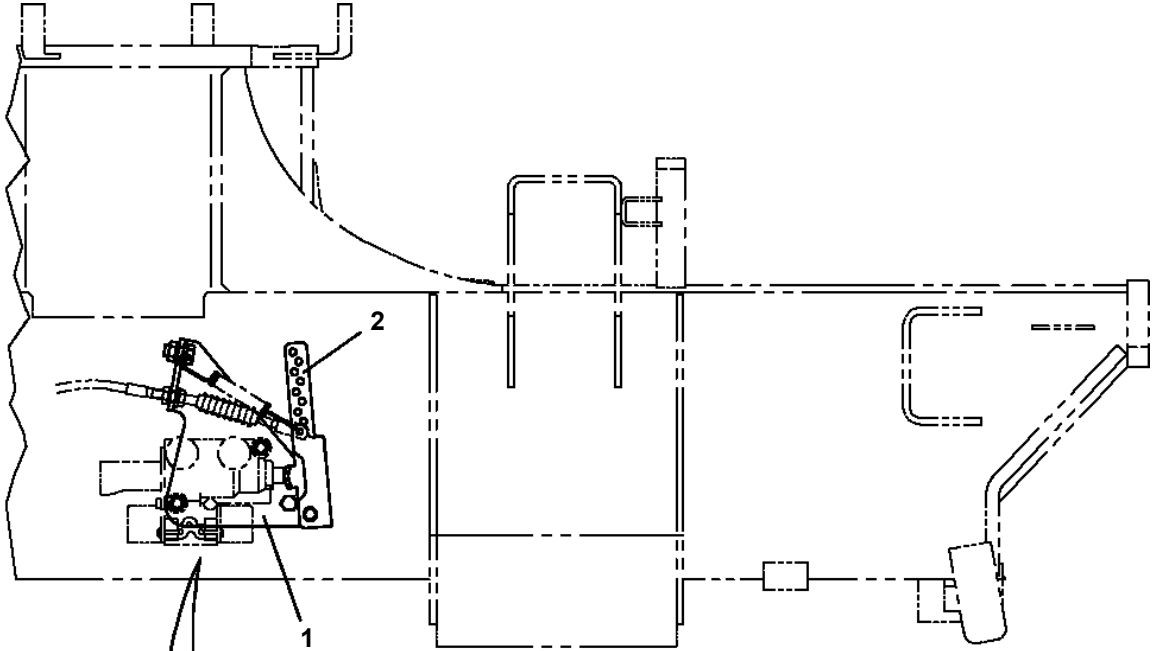
車両後端より見る
VIEWED FROM REAR
OF VEHICLE



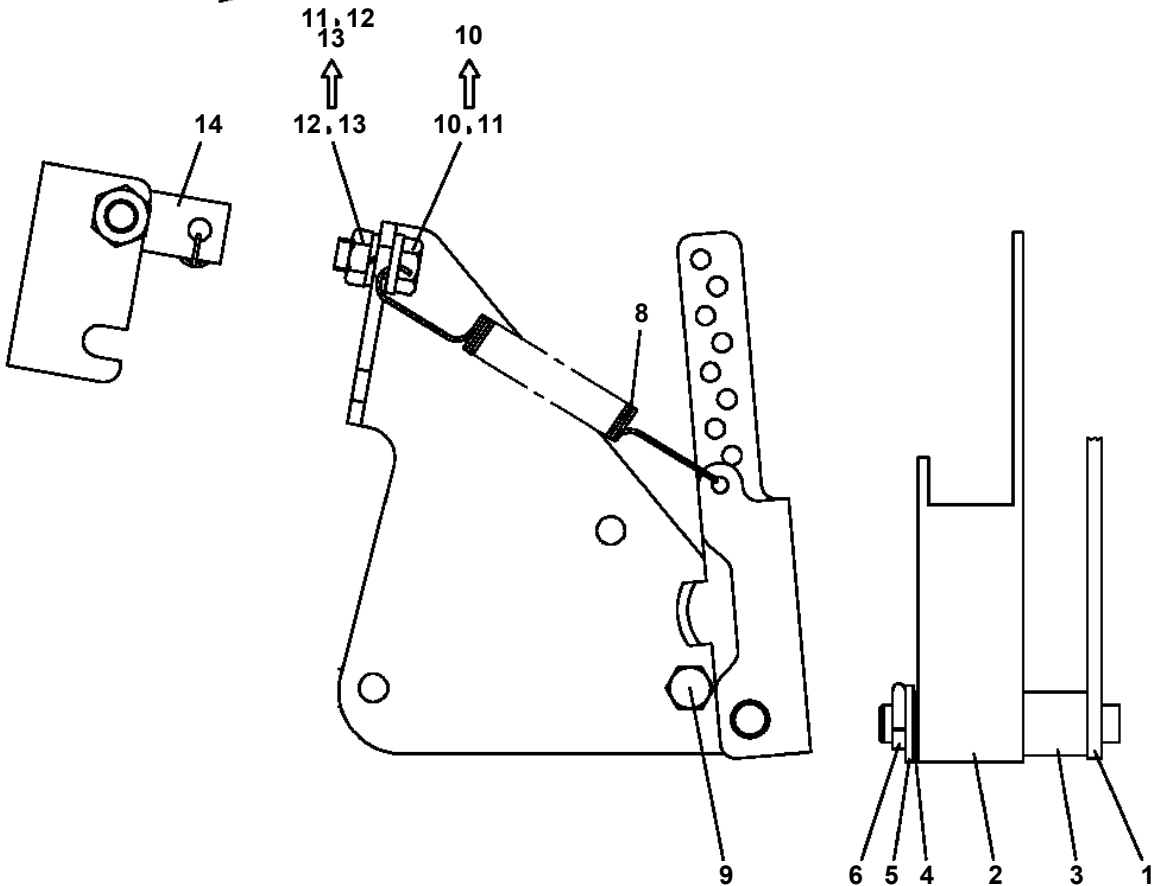
**TM-ZE260 41008404456A FRAME/HOOK-IN,SAFETY EYES,WITH RJ
PK1330438-00 COVER (SWING)**



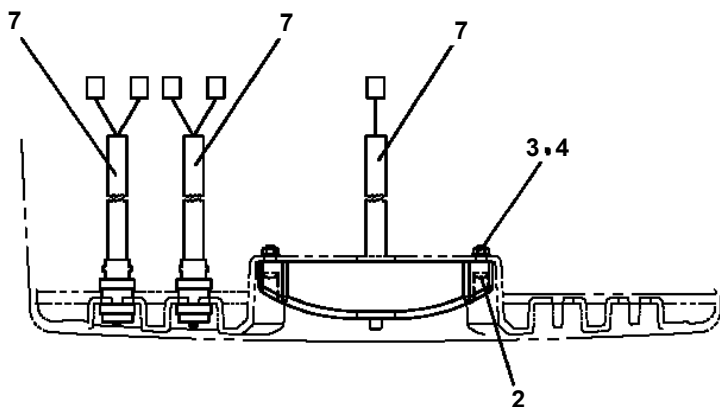
**TM-ZE260 41008404456A FRAME/HOOK-IN,SAFETY EYES,WITH RJ
PL1031164-02 OPE.ASSY,ACCELERATOR**



車両前方から見る
VIEWED FROM FRONT
OF VEHICLE



**TM-ZE260 41008404456A FRAME/HOOK-IN,SAFETY EYES,WITH RJ
PN1080411-04 LAMP ASSY (PANEL LAMP)**



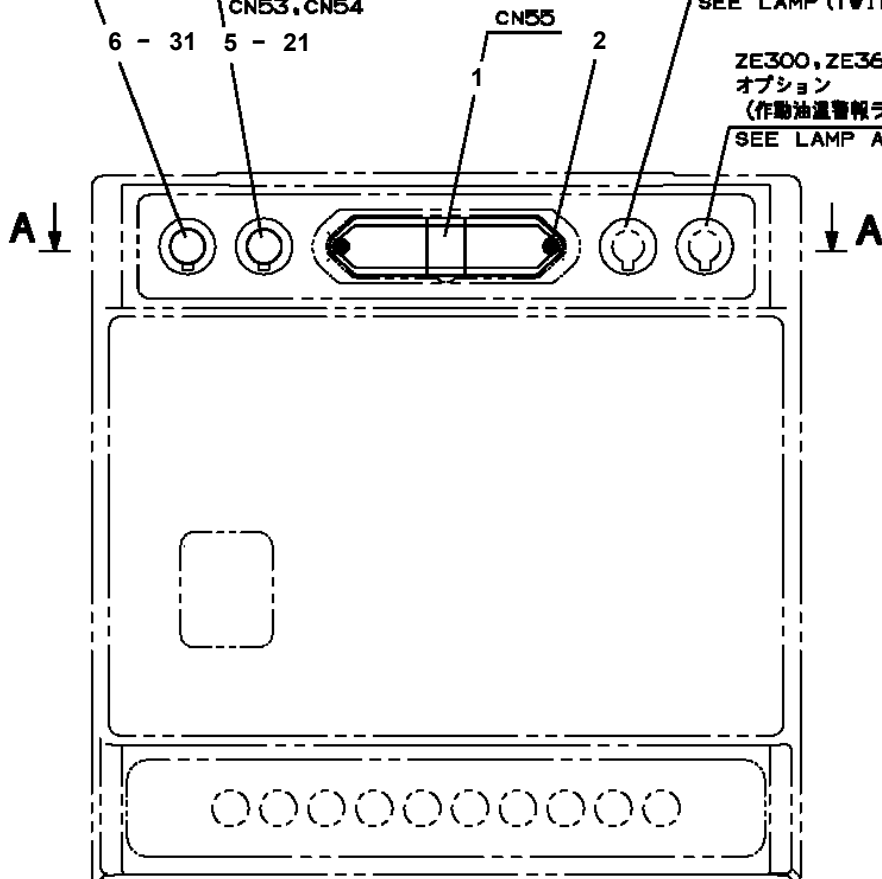
A-A

(最大突出)
(MAXIMUM EXTENSION)
CN51, CN52

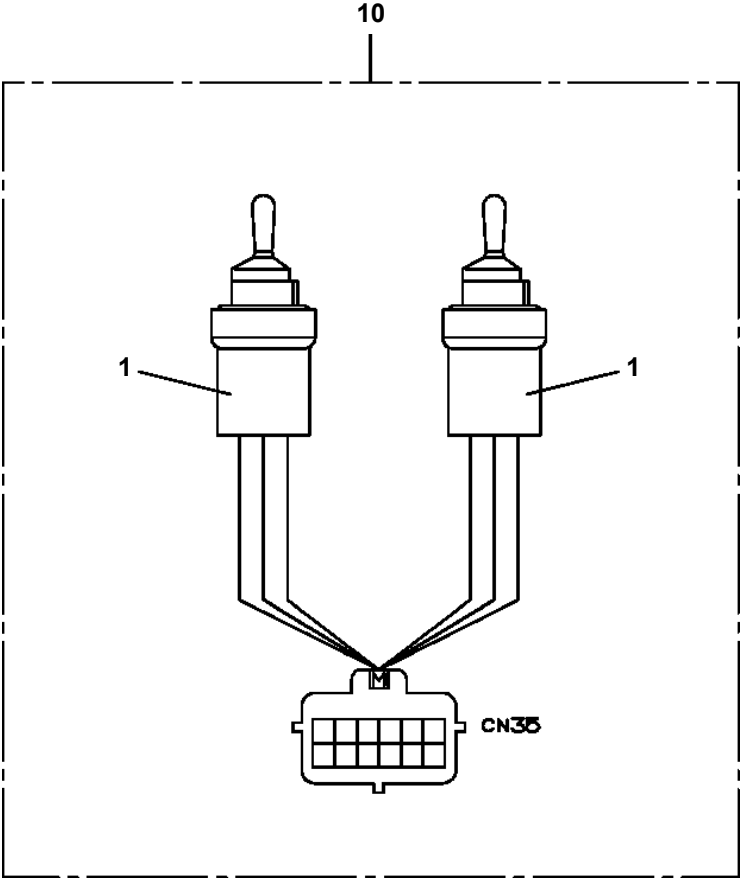
(最小突出)
(MINIMUM EXTENSION)
CN53, CN54

ZE260, ZE290
ZE300, ZE360
オプション
(2進ポンプ表示ランプ) (CN35, CN36)
SEE LAMP (TWIN PUMP INDICATOR)

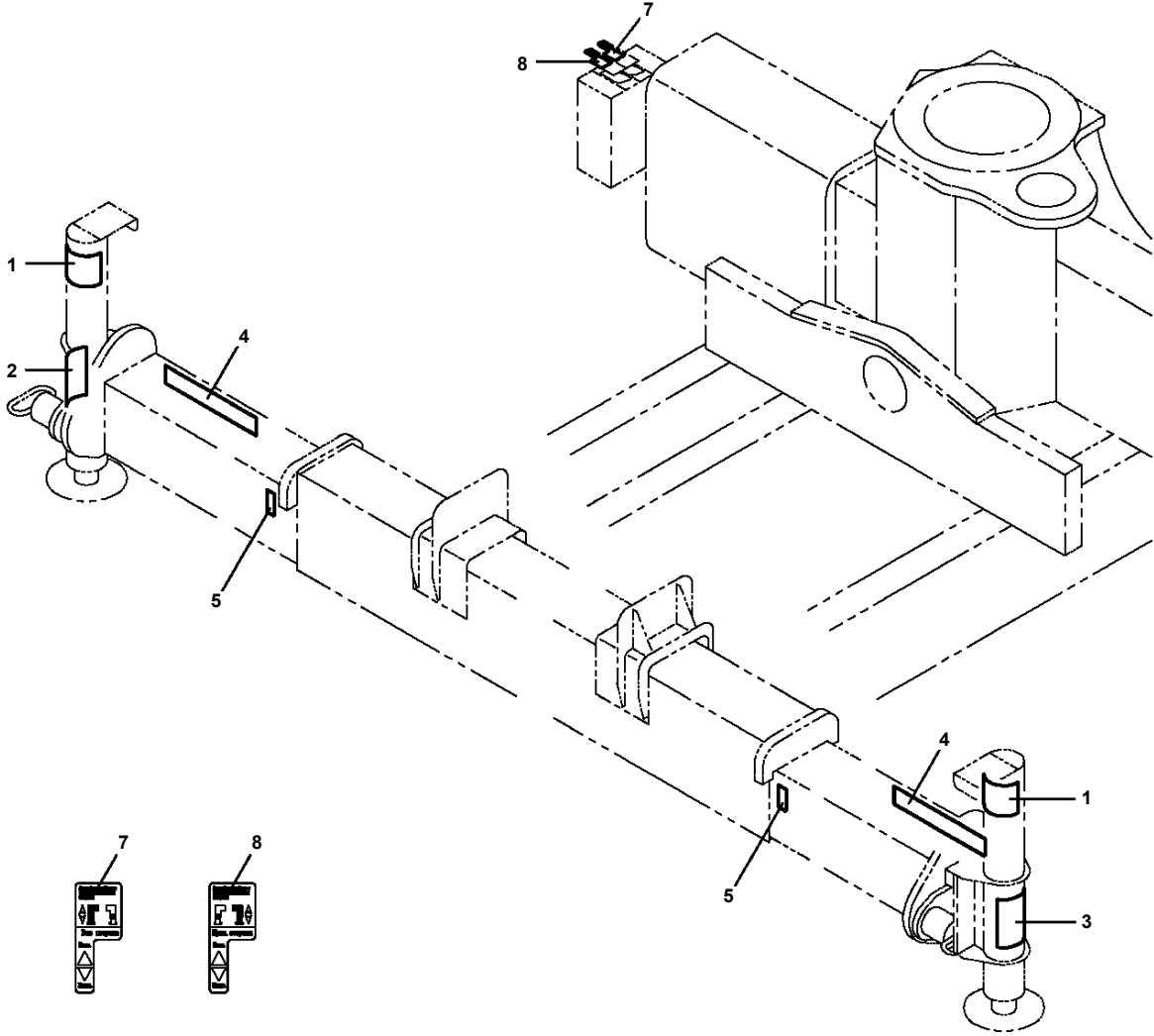
ZE300, ZE360
オプション
(作動油温警報ランプ)
SEE LAMP ASSY (ALARM/RED)



**TM-ZE260 41008404456A FRAME/HOOK-IN,SAFETY EYES,WITH RJ
PN1140239-00 SWITCH ASSY (WITH HARNESS,2-SW)**

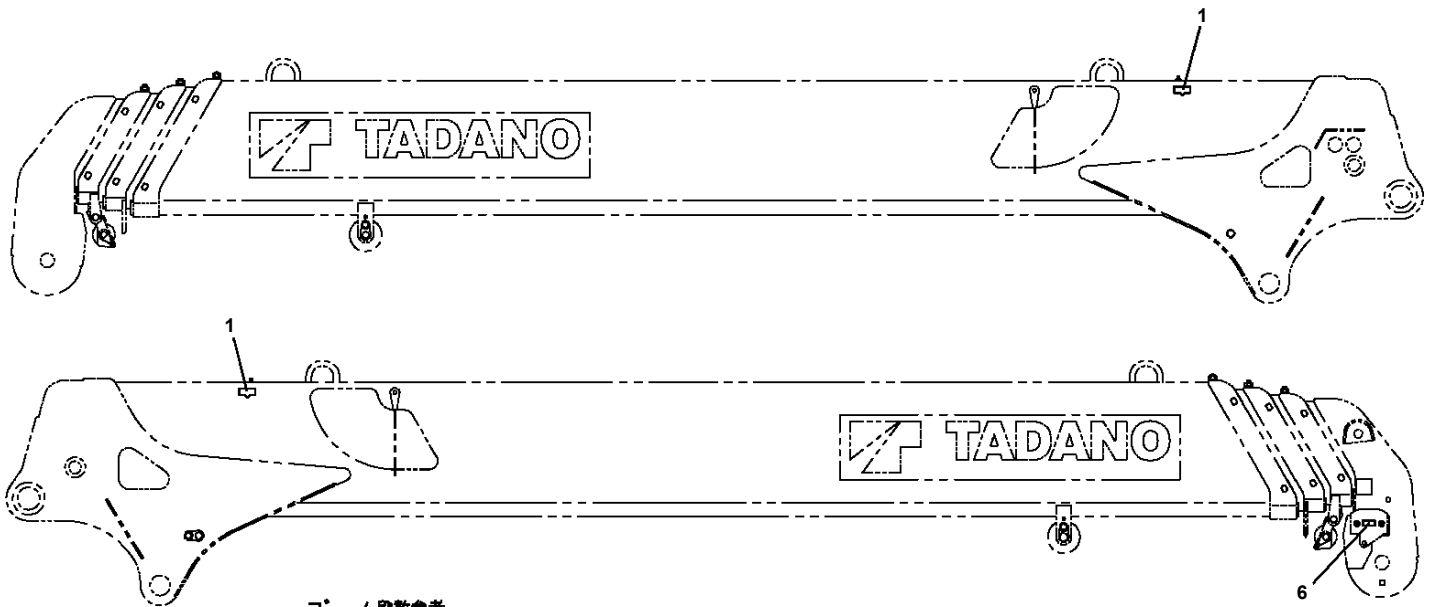


**TM-ZE260 41008404456A FRAME/HOOK-IN,SAFETY EYES,WITH RJ
PN5010507-00 NAME PLATE ASSY (REAR JACK)**



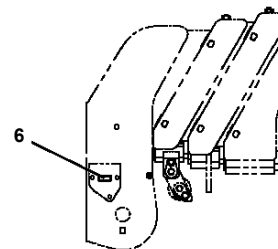
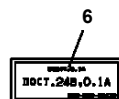
FRONT
↙

**TM-ZE260 41008404456A FRAME/HOOK-IN,SAFETY EYES,WITH RJ
PN5010513-01 NAME PLATE ASSY (BOOM/RUSSIAN)**



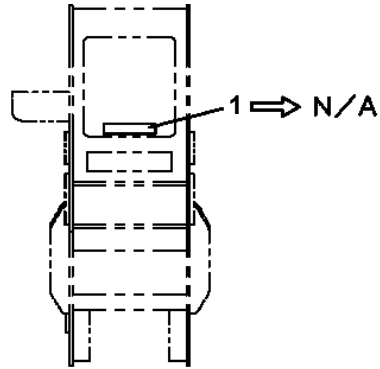
ブーム段数参考

THE BOOM SECTIONS IN THE ILLUSTRATION ARE FOR REFERENCE.

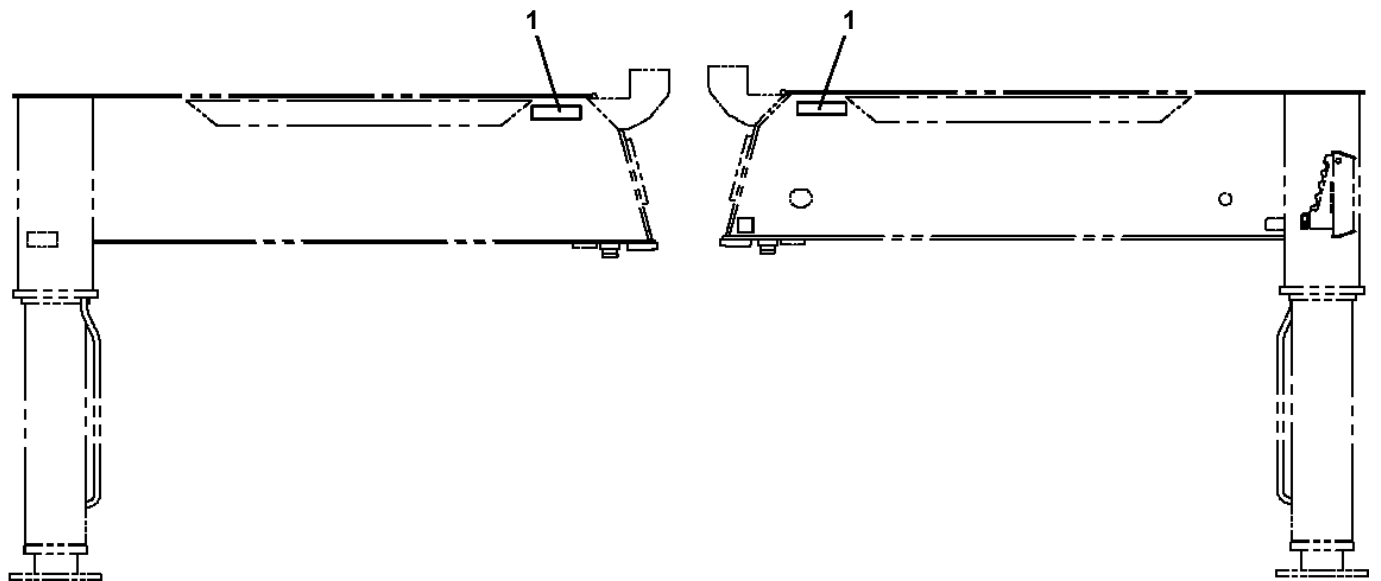


ZE500G

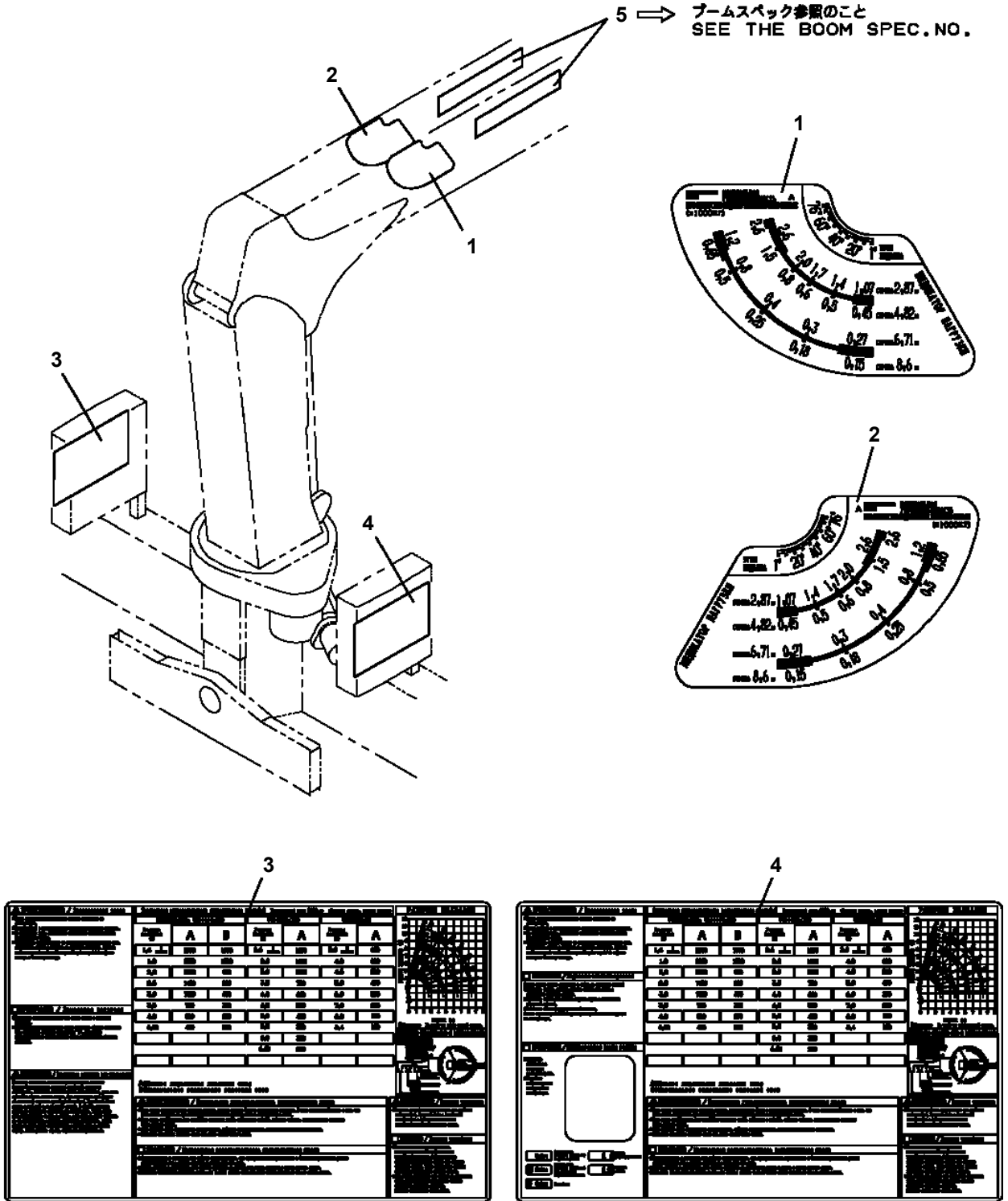
TM-ZE260 41008404456A FRAME/HOOK-IN,SAFETY EYES,WITH RJ
PO1015028-02 PLATE ASSY,NAME (FRAME SERIAL NO.)



ブーム後端
BOOM END



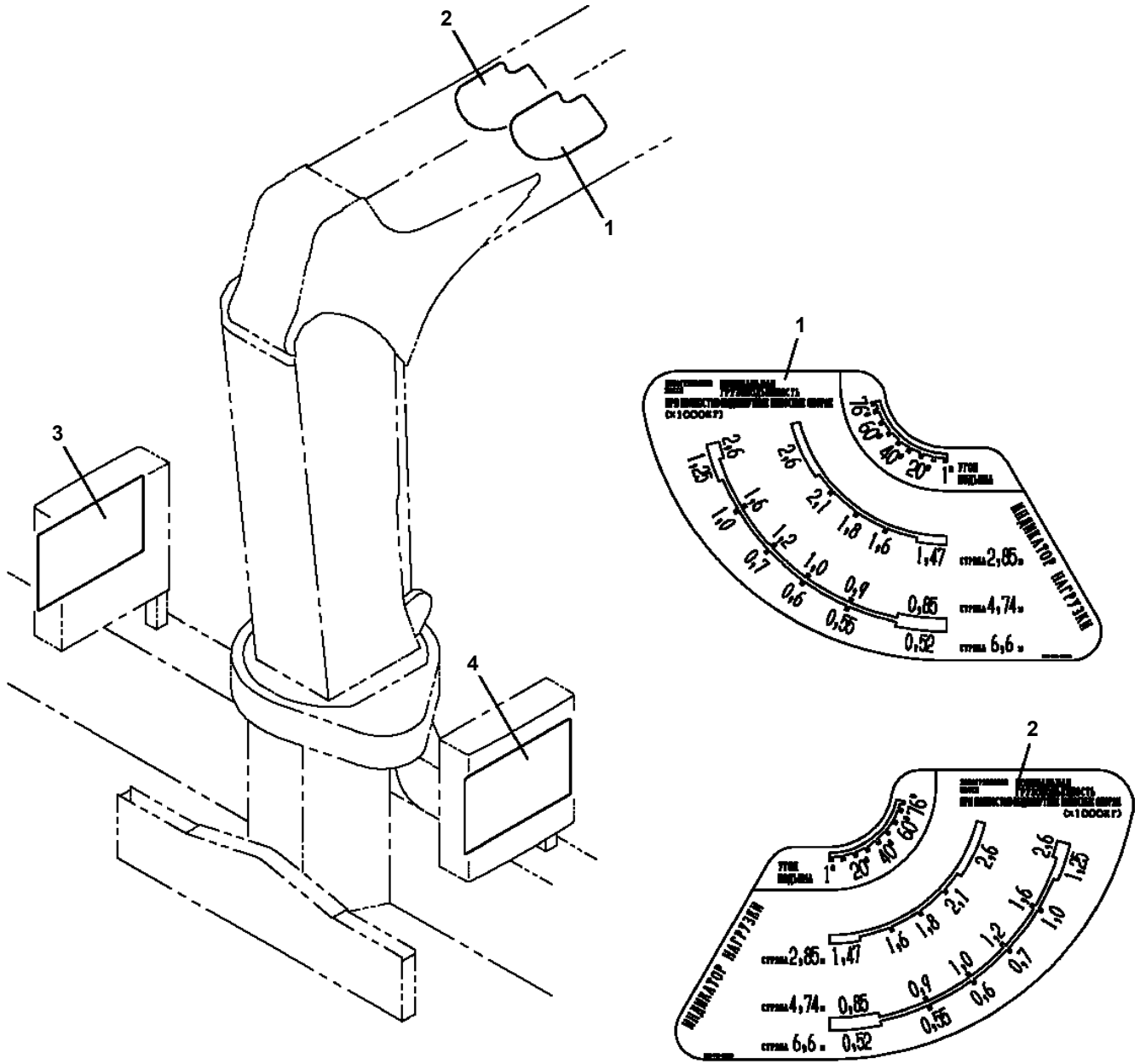
TM-ZE260 41008404456A FRAME/HOOK-IN,SAFETY EYES,WITH RJ
 PP5200447-01 PERFORMANCE DATA (ZE264HS,A/2600KG:RUSSIAN)



5

ZE260

**TM-ZE260 41008404456A FRAME/HOOK-IN,SAFETY EYES,WITH RJ
PP5200452-01 PERFORMANCE DATA (ZE263HS,D/2600KG:RUSSIAN)**



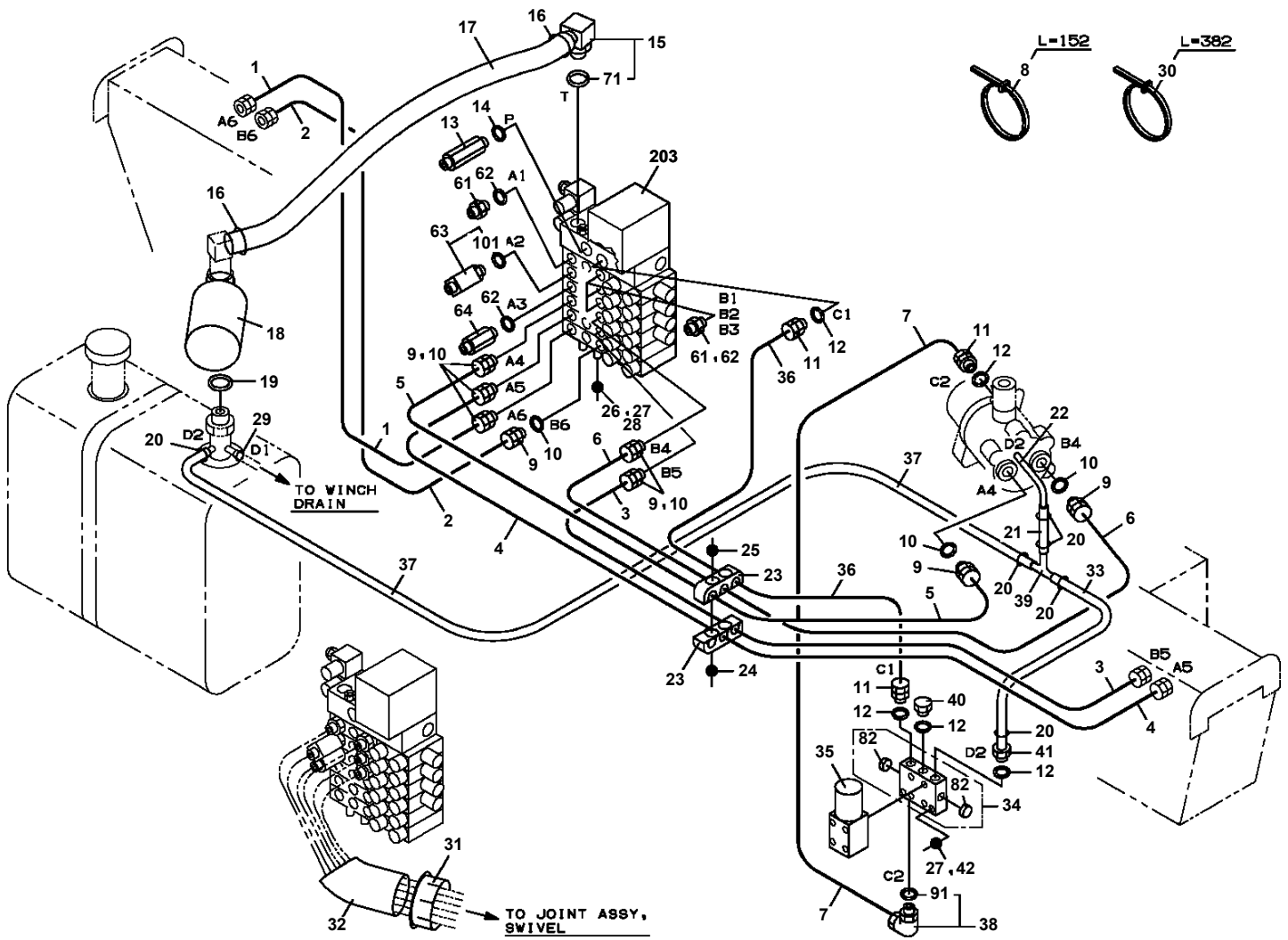
3

Грузовая нагрузка, т	Средняя скорость, м/мин		Средняя скорость, м/мин	Средняя скорость, м/мин
	A	B		
1,0	0,5	0,5	0,5	0,5
1,5	0,5	0,5	0,5	0,5
2,0	0,5	0,5	0,5	0,5
2,5	0,5	0,5	0,5	0,5
3,0	0,5	0,5	0,5	0,5
3,5	0,5	0,5	0,5	0,5
4,0	0,5	0,5	0,5	0,5
4,5	0,5	0,5	0,5	0,5
5,0	0,5	0,5	0,5	0,5
5,5	0,5	0,5	0,5	0,5
6,0	0,5	0,5	0,5	0,5
6,5	0,5	0,5	0,5	0,5
7,0	0,5	0,5	0,5	0,5
7,5	0,5	0,5	0,5	0,5
8,0	0,5	0,5	0,5	0,5
8,5	0,5	0,5	0,5	0,5
9,0	0,5	0,5	0,5	0,5
9,5	0,5	0,5	0,5	0,5
10,0	0,5	0,5	0,5	0,5

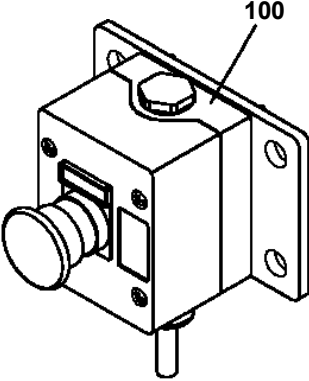
4

Грузовая нагрузка, т	Средняя скорость, м/мин		Средняя скорость, м/мин	Средняя скорость, м/мин
	A	B		
1,0	0,5	0,5	0,5	0,5
1,5	0,5	0,5	0,5	0,5
2,0	0,5	0,5	0,5	0,5
2,5	0,5	0,5	0,5	0,5
3,0	0,5	0,5	0,5	0,5
3,5	0,5	0,5	0,5	0,5
4,0	0,5	0,5	0,5	0,5
4,5	0,5	0,5	0,5	0,5
5,0	0,5	0,5	0,5	0,5
5,5	0,5	0,5	0,5	0,5
6,0	0,5	0,5	0,5	0,5
6,5	0,5	0,5	0,5	0,5
7,0	0,5	0,5	0,5	0,5
7,5	0,5	0,5	0,5	0,5
8,0	0,5	0,5	0,5	0,5
8,5	0,5	0,5	0,5	0,5
9,0	0,5	0,5	0,5	0,5
9,5	0,5	0,5	0,5	0,5
10,0	0,5	0,5	0,5	0,5

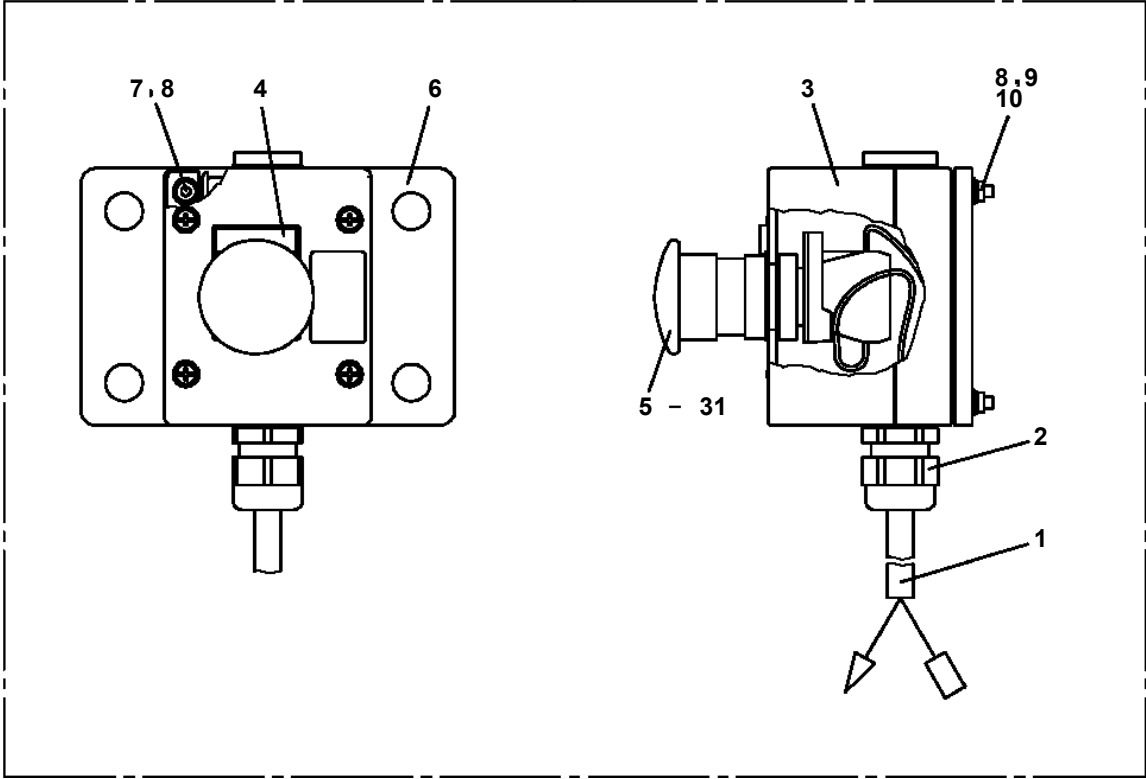
**TM-ZE260 41008404456A FRAME/HOOK-IN,SAFETY EYES,WITH RJ
PP6010037-01 PIPING ASSY (LOWER)**



TM-ZE260 41008404456A FRAME/HOOK-IN,SAFETY EYES,WITH RJ
PS5530256-00 SWITCH ASSY

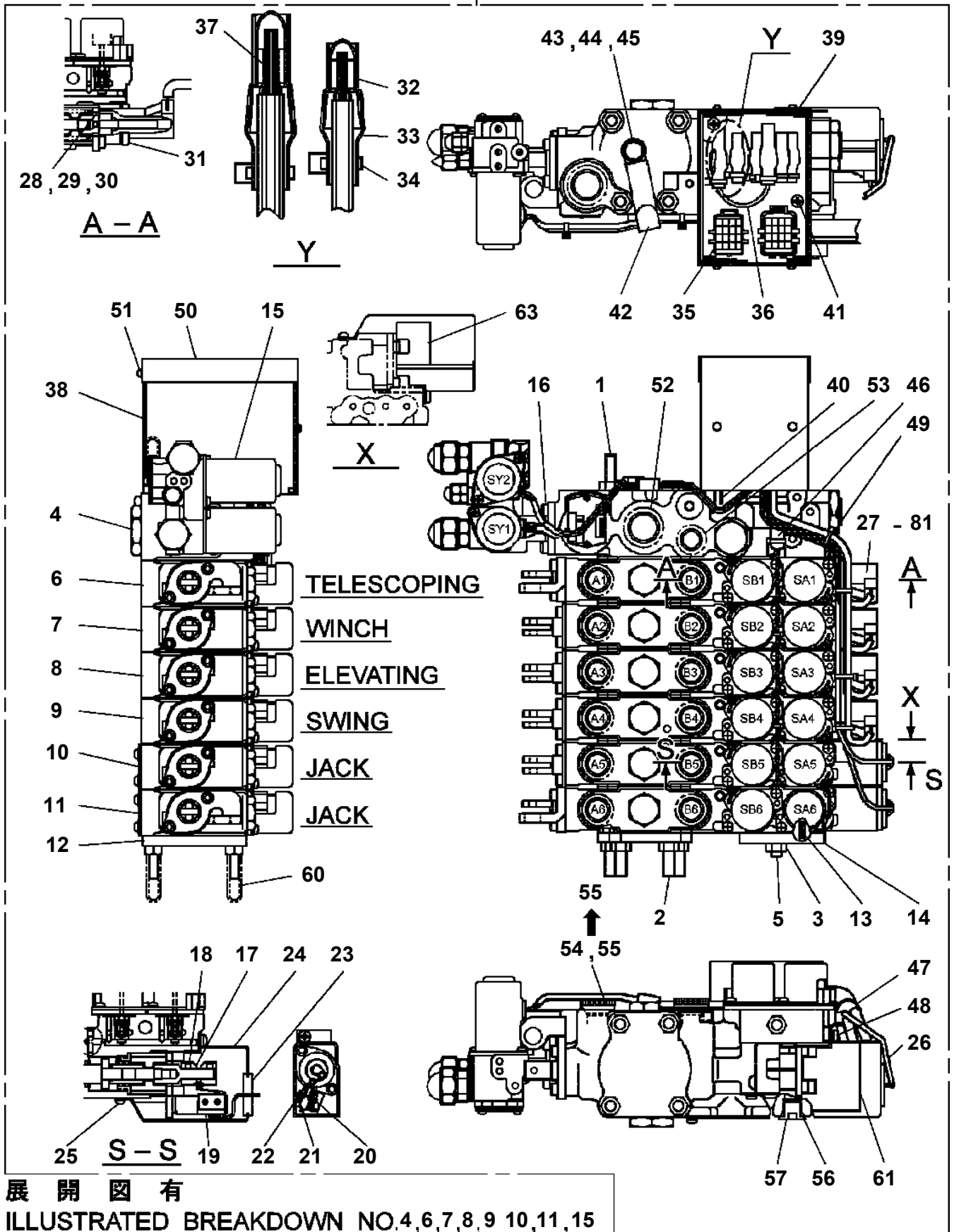


100



TM-ZE260 41008404456A FRAME/HOOK-IN,SAFETY EYES,WITH RJ
PV1020374-03 VALVE,REMOTE CONTROL

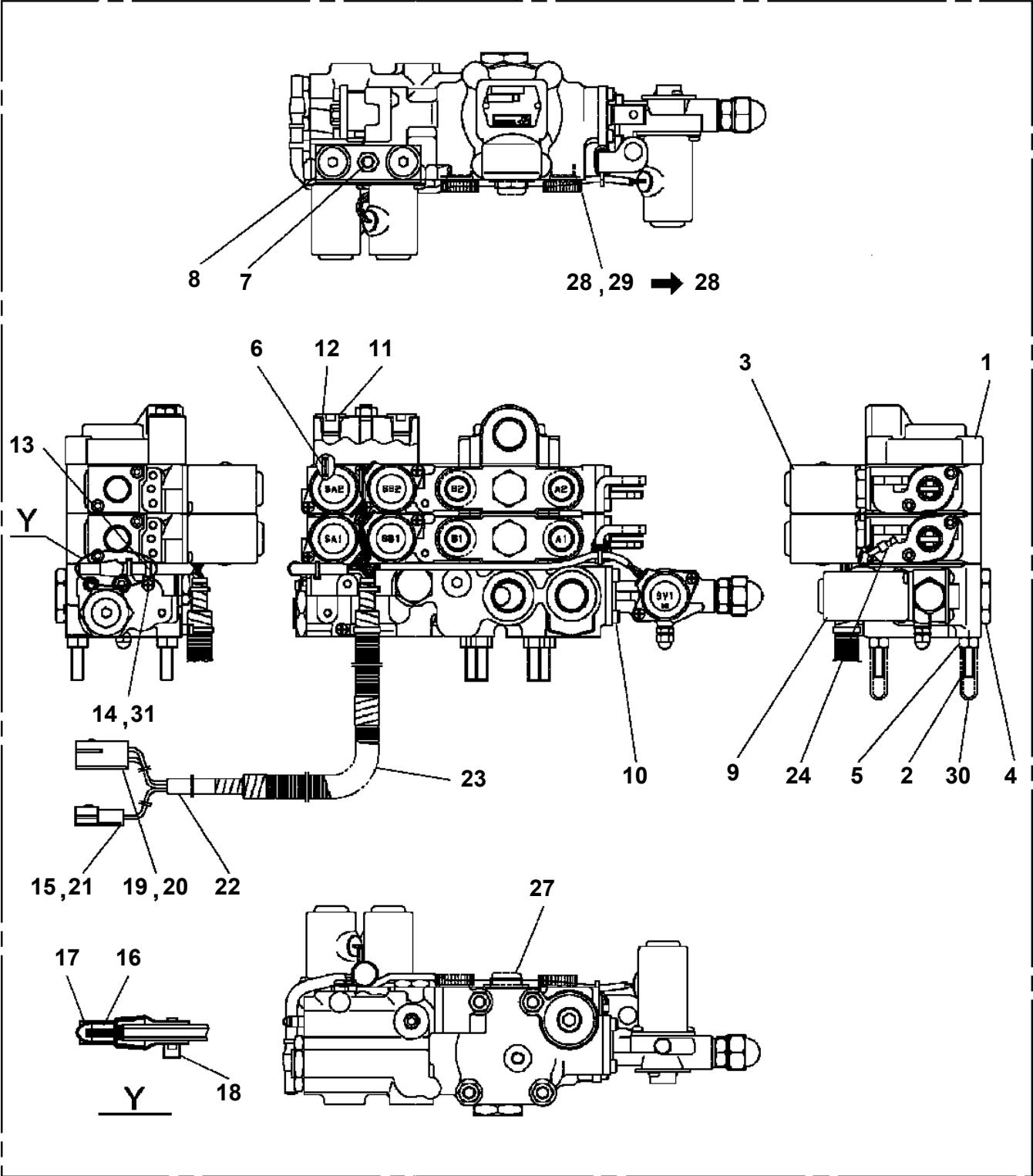
500



展開圖有
ILLUSTRATED BREAKDOWN NO.4,6,7,8,9,10,11,15

**TM-ZE260 41008404456A FRAME/HOOK-IN,SAFETY EYES,WITH RJ
PV1020379-01 VALVE,REMOTE CONTROL**

500



CLICK HERE TO **DOWNLOAD** THE COMPLETE MANUAL

- Thank you very much for reading the preview of the manual.
- You can download the complete manual from: www.heydownloads.com by clicking the link below



- Please note: If there is no response to CLICKING the link, please download this PDF first and then click on it.

CLICK HERE TO **DOWNLOAD** THE COMPLETE MANUAL