

TM-ZE260 41008401234A FRAME/HOOK-IN,RADIO CONTROL

PB0000154-01 SYSTEM (ZE260SL,DOMESTIC)

ASSEMBLY

CLICK HERE TO **DOWNLOAD** THE COMPLETE MANUAL

- Thank you very much for reading the preview of the manual.
- You can download the complete manual from: www.heydownloads.com by clicking the link below



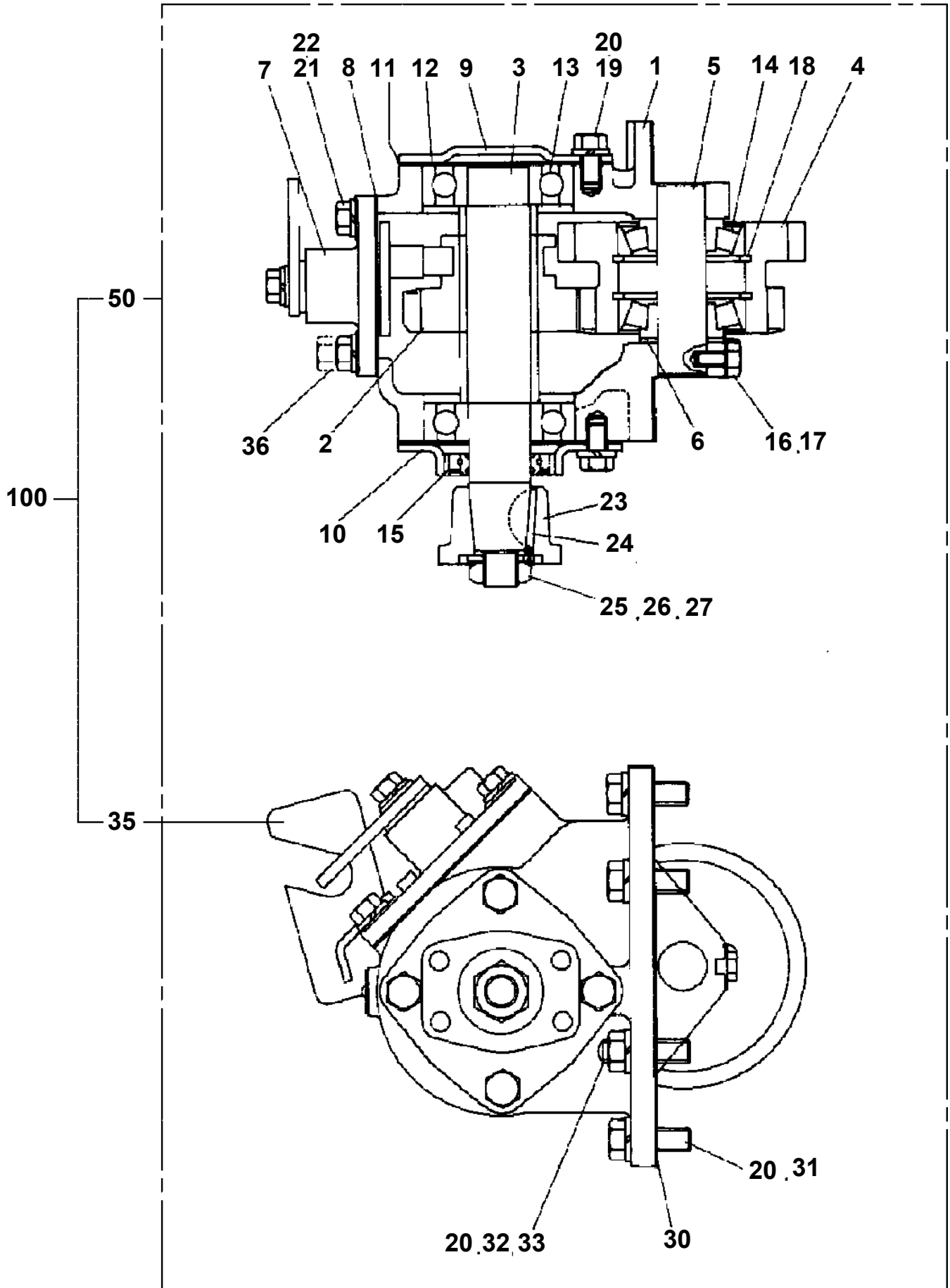
- Please note: If there is no response to CLICKING the link, please download this PDF first and then click on it.

CLICK HERE TO **DOWNLOAD** THE COMPLETE MANUAL

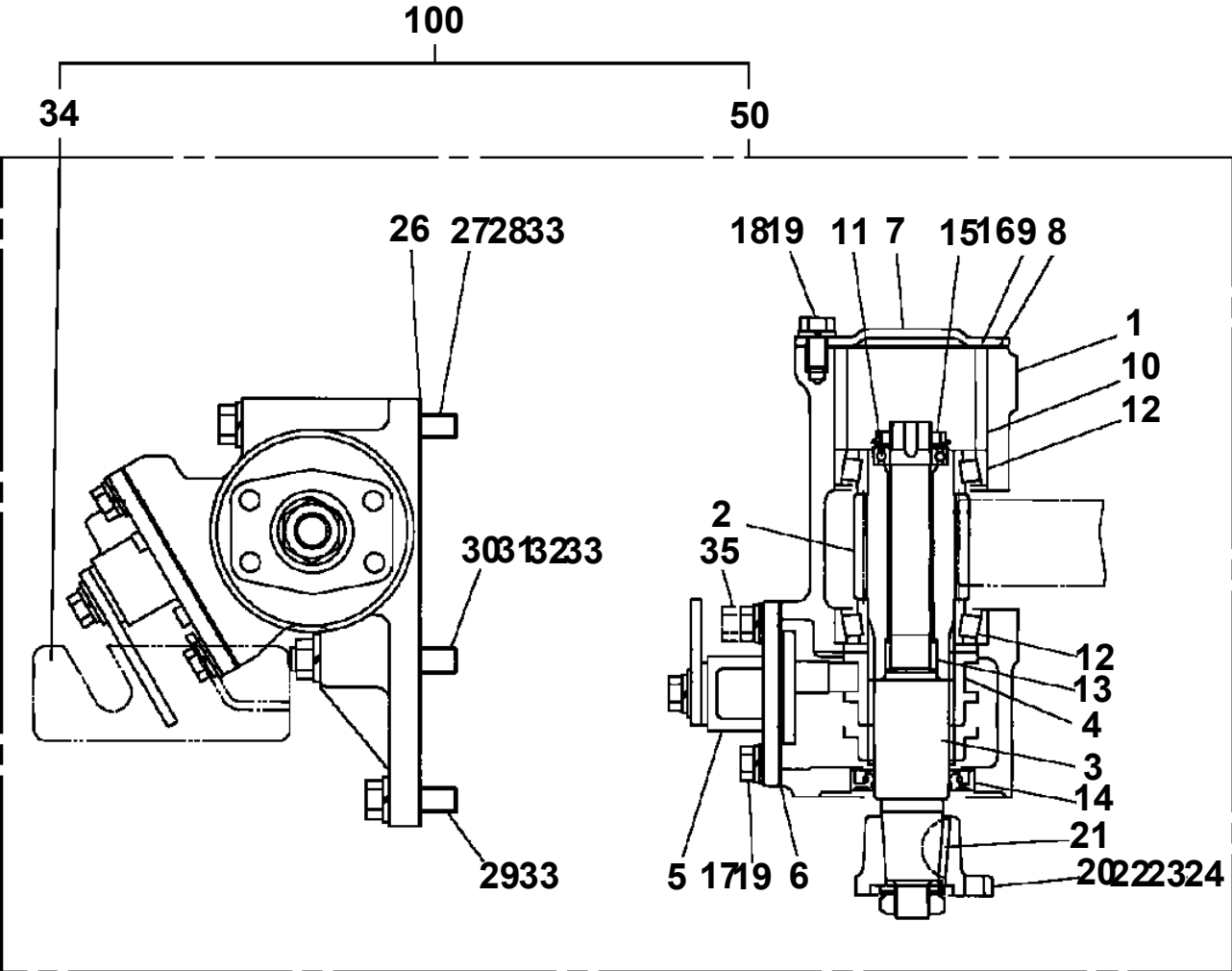
TM-ZE260 41008401234A FRAME/HOOK-IN,RADIO CONTROL

Pos No.	Parts No	Parts Name	Qty	Unit	Technical Data	Serial No (Start)	Serial No (End)	R	
1	31792150000	POWER TAKE OFF	1						
	31792260000	POWER TAKE OFF	1						
	31792100000	POWER TAKE OFF	1						
	31790890000	POWER TAKE OFF	1						
	31790880000	POWER TAKE OFF	1						
	31792090000	POWER TAKE OFF	1						
	31792270000	POWER TAKE OFF	1						
	31790990000	POWER TAKE OFF	1						
	31792080000	POWER TAKE OFF	1						
	31792370000	POWER TAKE OFF	1						
	31792380000	POWER TAKE OFF	1						
	31790900000	POWER TAKE OFF	1						
	2	31791110000	POWER TAKE OFF	1					
		31791120000	POWER TAKE OFF	1					
		31791100000	POWER TAKE OFF	1					
		31791130000	POWER TAKE OFF	1					
		31791090000	POWER TAKE OFF	1					
31791170000		POWER TAKE OFF	1						
31791620000		POWER TAKE OFF	1						
31791610000		POWER TAKE OFF	1						
31792120000		POWER TAKE OFF	1						
31791180000		POWER TAKE OFF	1						
31792490000		POWER TAKE OFF	1						
31792240000		POWER TAKE OFF	1						
31791570000		POWER TAKE OFF	1						
31790710000		POWER TAKE OFF	1						
31791080000		POWER TAKE OFF	1						
31790730000		POWER TAKE OFF	1						
31792230000		POWER TAKE OFF	1						
31791240000		POWER TAKE OFF	1						
31791220000		POWER TAKE OFF	1						
31791190000		POWER TAKE OFF	1						
31792480000		POWER TAKE OFF	1						
31792250000		POWER TAKE OFF	1						
31790970000		POWER TAKE OFF	1						
31792220000	POWER TAKE OFF	1							
3	31792240000	POWER TAKE OFF	1						
	31791240000	POWER TAKE OFF	1						
	31791570000	POWER TAKE OFF	1						
	31791130000	POWER TAKE OFF	1						
	31790710000	POWER TAKE OFF	1						
	31791120000	POWER TAKE OFF	1						
	31792250000	POWER TAKE OFF	1						
	31791610000	POWER TAKE OFF	1						
	31791110000	POWER TAKE OFF	1						
	31791100000	POWER TAKE OFF	1						
	31791050000	POWER TAKE OFF	1						
	31792120000	POWER TAKE OFF	1						
	31791180000	POWER TAKE OFF	1						
	31791080000	POWER TAKE OFF	1						
	31790730000	POWER TAKE OFF	1						
	31791190000	POWER TAKE OFF	1						
	31791170000	POWER TAKE OFF	1						
	31792230000	POWER TAKE OFF	1						
	31792220000	POWER TAKE OFF	1						
	31791620000	POWER TAKE OFF	1						
	31791090000	POWER TAKE OFF	1						
	31790970000	POWER TAKE OFF	1						
	31791220000	POWER TAKE OFF	1						
4	31790730000	POWER TAKE OFF	1						
	31790710000	POWER TAKE OFF	1						
5	31790870000	POWER TAKE OFF	1						
	36401600001	POWER TAKE OFF	1						

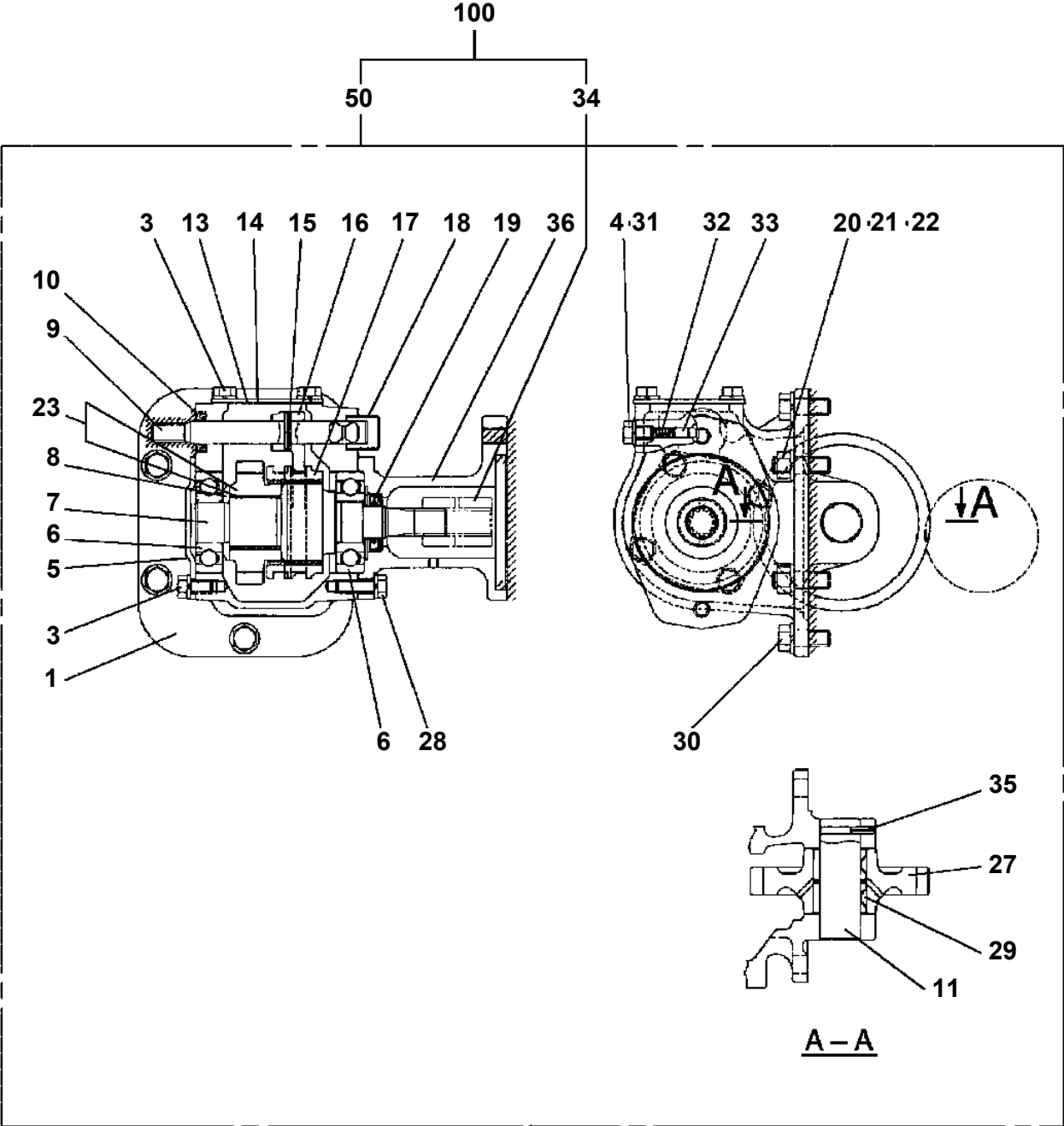
TM-ZE260 41008401234A FRAME/HOOK-IN,RADIO CONTROL
PB1030063-02 POWER TAKE OFF



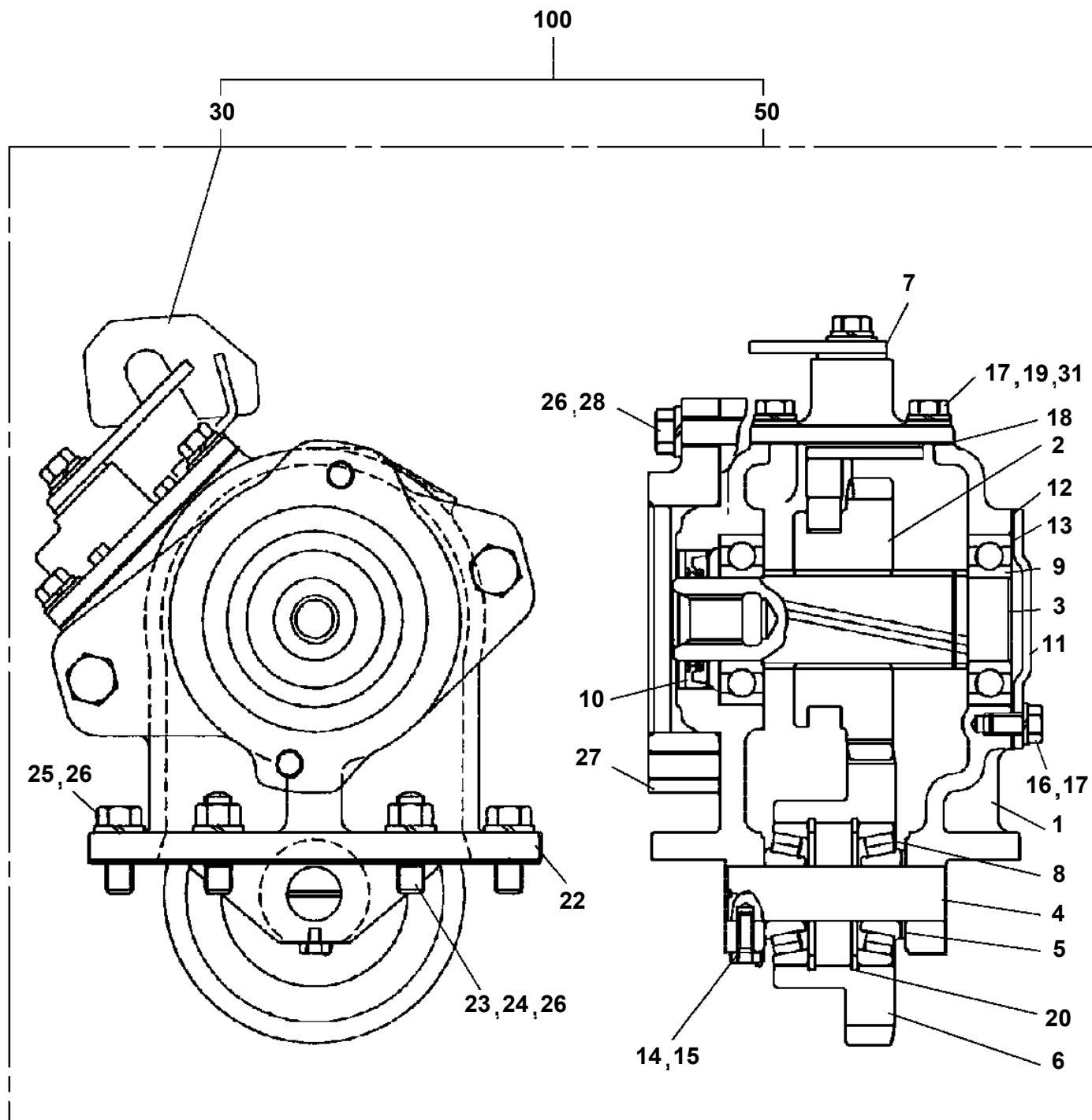
**TM-ZE260 41008401234A FRAME/HOOK-IN,RADIO CONTROL
PB1030131-01 POWER TAKE OFF**



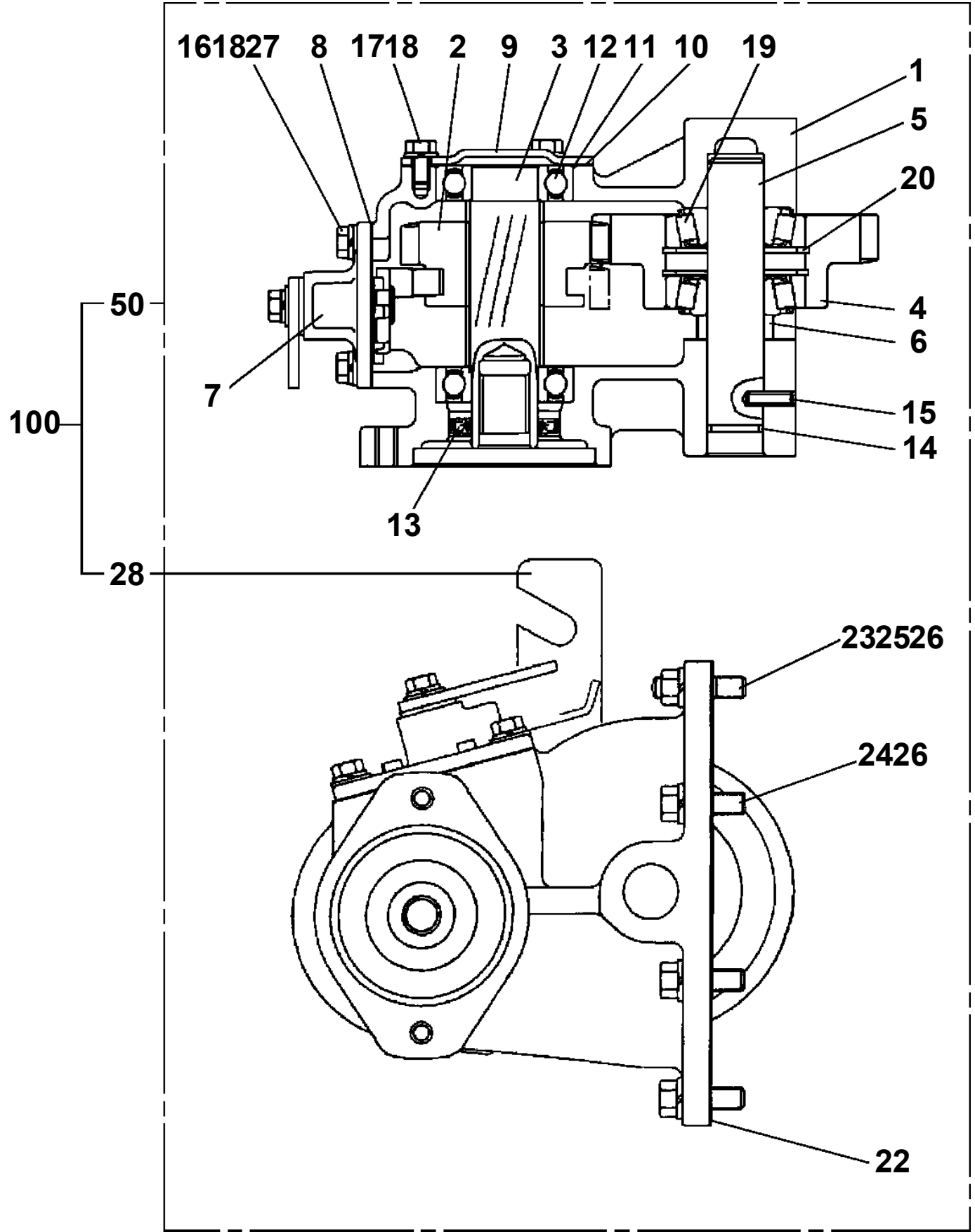
TM-ZE260 41008401234A FRAME/HOOK-IN,RADIO CONTROL
PB1030163-02 POWER TAKE OFF



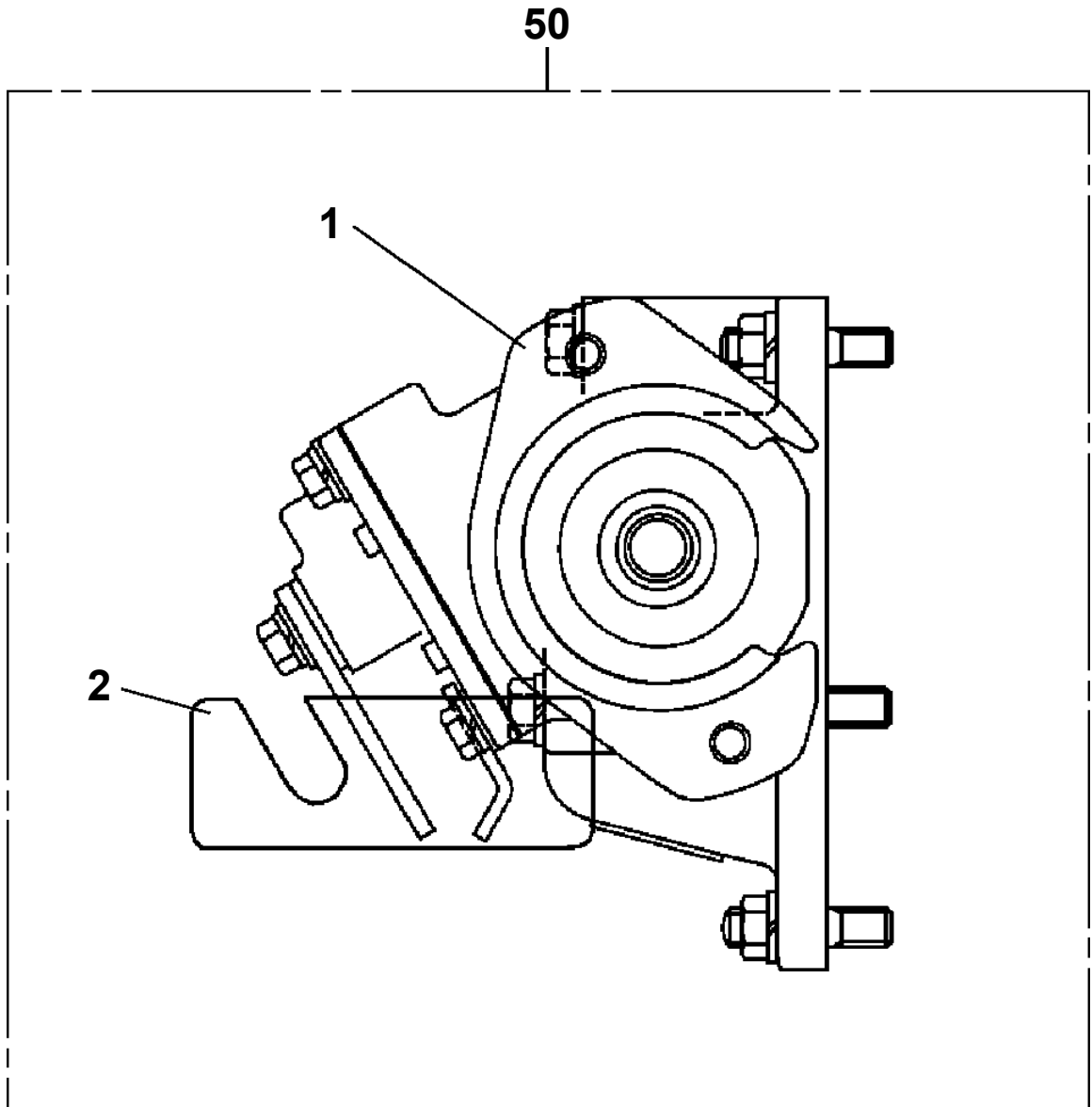
TM-ZE260 41008401234A FRAME/HOOK-IN,RADIO CONTROL
PB1030171-02 POWER TAKE OFF



TM-ZE260 41008401234A FRAME/HOOK-IN,RADIO CONTROL
PB1030192-01 POWER TAKE OFF



TM-ZE260 41008401234A FRAME/HOOK-IN,RADIO CONTROL
PB1030204-00 POWER TAKE OFF



TM-ZE260 41008401234A FRAME/HOOK-IN,RADIO CONTROL

Pos No.	Parts No	Parts Name	Qty	Unit	Technical Data	Serial No (Start)	Serial No (End)	Remarks
1	36401895070	CASE	1					
2	36401885020	GEAR	1					
3	36400915030	SHAFT	1					
4	36401885030	GEAR	1					
5	36400415050	SHAFT	1					
6	36400675030	COLLAR	1					
7	36400095100	SHIFTER ASSY	1					
8	36400095110	PACKING	1					
9	36400095070	COVER (BEARING)	1					
10	36400095080	PACKING (COVER)	1					
11	36400095090	SHIM	N					
12	80500006206	BEARING,BALL	2					
13	91206030005	SEAL,OIL	1					
14	91001102100	O-RING	1		1A P21			
15	90710006200	SCREW,SET	1		M6X20			
16	90191208020	BOLT	4		M8X20			
17	90191208014	BOLT	3		M8X14			
18	90302040801	WASHER,SPRING	7		8			
19	36400135070	BEARING	2					
20	80602110620	RING,RITAINING	2		R62			
22	36401885050	PACKING	1					
24	90191210030	BOLT	6		M10X30			
25	90267201000	NUT	2		M10			
26	90302041001	WASHER,SPRING	8		10			
28	31790670100	SUPPORT	1					
29	90191208025	BOLT	2		M8X25			
60	36402100000	POWER TAKE OFF ASSY	1					
61	36401695040	BOLT,STUD	2		M10X1.25/1.5X47			
100	31791240000	POWER TAKE OFF	1					

TM-ZE260 41008401234A FRAME/HOOK-IN,RADIO CONTROL

Pos No.	Parts No	Parts Name	Qty	Unit	Technical Data	Serial No (Start)	Serial No (End)	Remarks	Pages
1	36401135050	CASE	1						
2	36401135060	GEAR (TO)	1						
3	36401125030	SHAFT (TO)	1						
4	36401125040	SLEEVE	1						
5	36401125050	SHIFTER SET	1						
6	36400095110	PACKING	1						
7	36400095070	COVER (BEARING)	1						
8	36400095080	PACKING (COVER)	1						
9	36400095090	SHIM	N						
10	36401135070	COLLAR	1						
11	80500006903	BEARING,BALL	1						
12	36401125080	BEARING,ROLLER	2						
13	36401125090	BEARING,NEEDLE	1						
14	91206030005	SEAL,OIL	1						
15	36401125100	RING,RETAINING	1						
16	90191208020	BOLT	4		M8X20				
17	90191208014	BOLT	3		M8X14				
18	90302040801	WASHER,SPRING	7		8				
20	36402015020	PACKING	2						
21	36402025030	BOLT	1		M10X1.5X115				
22	36402015040	BOLT	1		M10X1.5X105				
23	90191210045	BOLT	2		M10X45				
24	36402015010	BOLT,STUD	1						
25	36402025010	BOLT,STUD	1						
26	90267201000	NUT	2		M10				
27	90302041001	WASHER,SPRING	6		10				
28	36402025020	SPACER	1						
30	90191208025	BOLT	2		M8X25				
51	36402020000	POWER TAKE OFF	1						
52	31790880100	SUPPORT	1						
100	31792090000	POWER TAKE OFF	1						

TM-ZE260 41008401234A FRAME/HOOK-IN,RADIO CONTROL

Pos No.	Parts No	Parts Name	Qty	Unit	Technical Data	Serial No (Start)	Serial No (End)	Remarks
1	36401995010	CASE	1					
2	36401995020	GEAR	1					
3	36402125010	SHAFT	1					
4	36400095040	SHAFT	1					
5	36400095050	COLLAR	1					
6	36401995040	GEAR	1					
7	36400095070	COVER (BEARING)	1					
8	36400095080	PACKING (COVER)	1					
9	36400095090	SHIM	N					
10	36401995050	SHIFTER ASSY	1					
11	36400095110	PACKING	1					
12	80500006206	BEARING,BALL	2					
13	91206030005	SEAL,OIL	1					
14	90191208014	BOLT	3		M8X14			
15	90191208020	BOLT	4		M8X20			
16	90101206012	BOLT	1		M6X12			
17	90302040801	WASHER,SPRING	7		8			
18	36400095130	WASHER	1					
19	36401745060	BEARING	2					
20	80602110470	RING,RITAINING	2		R47			
22	36400055070	PACKING	1					
23	36401995060	BOLT	4					
24	90267401000	NUT	4		M10			
25	90302041001	WASHER,SPRING	6		10			
26	90193510035	BOLT	2		M10X35			
28	90191208025	BOLT	2		M8X25			
50	36402120000	POWER TAKE OFF ASSY	1					
60	31791160100	SUPPORT	1					
100	31792240000	POWER TAKE OFF	1					

TM-ZE260 41008401234A FRAME/HOOK-IN,RADIO CONTROL

Pos No.	Parts No	Parts Name	Qty	Unit	Technical Data	Serial No (Start)	Serial No (End)	Remarks
1	36402470510	CASE	1					
2	36402470520	GEAR	1					
3	36402470530	SHAFT	1					
4	36401125040	SLEEVE	1					
5	36401125050	SHIFTER SET	1					
6	36400095110	PACKING	1					
7	36400095070	COVER (BEARING)	1					
8	36400095080	PACKING (COVER)	1					
9	36400095090	SHIM	N					
10	36402470540	COLLAR	1					
11	80500006903	BEARING,BALL	1					
12	36401125080	BEARING,ROLLER	2					
13	36401125090	BEARING,NEEDLE	1					
14	91206030005	SEAL,OIL	1					
15	36401125100	RING,RETAINING	1					
16	90191208020	BOLT	4		M8X20			
17	90191208014	BOLT	3		M8X14			
18	90302040801	WASHER,SPRING	7		8			
20	36402015020	PACKING	2					
21	36402035040	BOLT	1		M10X1.5X120			
22	36402035050	BOLT	1		M10X1.5X110			
23	90191210050	BOLT	2		M10X50			
24	36402035010	BOLT,STUD	1					
25	36402035020	BOLT,STUD	1					
26	90267201000	NUT	2		M10			
27	90302041001	WASHER,SPRING	6		10			
28	36402470550	SPACER	1					
30	90191208025	BOLT	2		M8X25			
50	36402470000	POWER TAKE OFF ASSY	1					
60	31790990100	SUPPORT	1					
100	31792370000	POWER TAKE OFF	1					

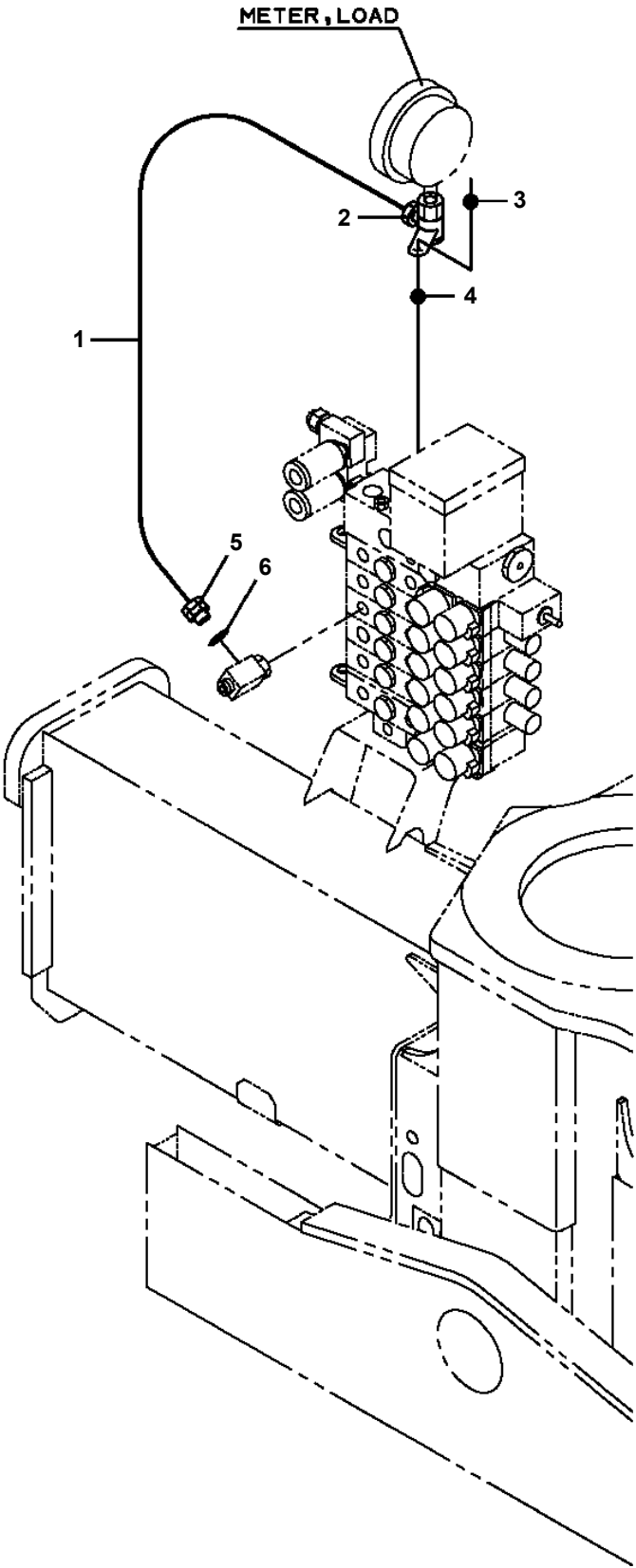
TM-ZE260 41008401234A FRAME/HOOK-IN,RADIO CONTROL

Pos No.	Parts No	Parts Name	Qty	Unit	Technical Data	Serial No (Start)	Serial No (End)	Remarks	Pages
1	31631881000	PLATE	1				EY6460		
	31631881001	PLATE	1			EY6461			
2	90171112022	BOLT	2		M12X22				
3	31631222000	CAP	1						
4	90302041201	WASHER,SPRING	2		12				

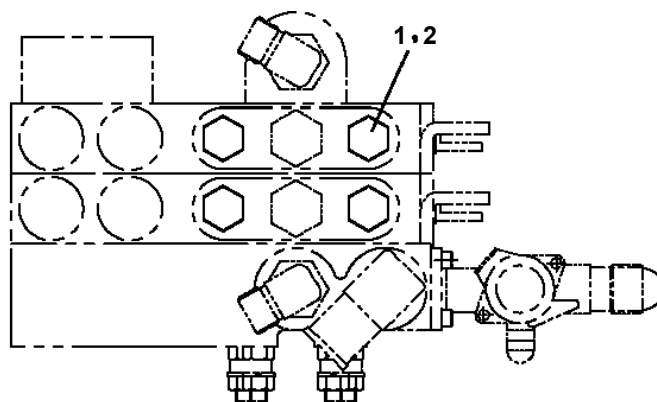
TM-ZE260 41008401234A FRAME/HOOK-IN,RADIO CONTROL

Pos No.	Parts No	Parts Name	Qty	Unit	Technical Data	Serial No (Start)	Serial No (End)	Remarks	P
1	31611617510	ADAPTER ASSY	1						
7	31611617590	MOTOR ASSY	1						
12	31611617530	TANK	1						
14	31611617540	CAP (OIL FILLER)	1						
18	44550417860	GASKET (WITH O-RING)	1						
30	31611617550	VALVE ASSY	1						
41	31611617560	VALVE,SOLENOID	2						
44	31611617570	MANIFOLD	1						
47	31611617580	O-RING	2						
100	31611613101	POWER SUPPLY	1						

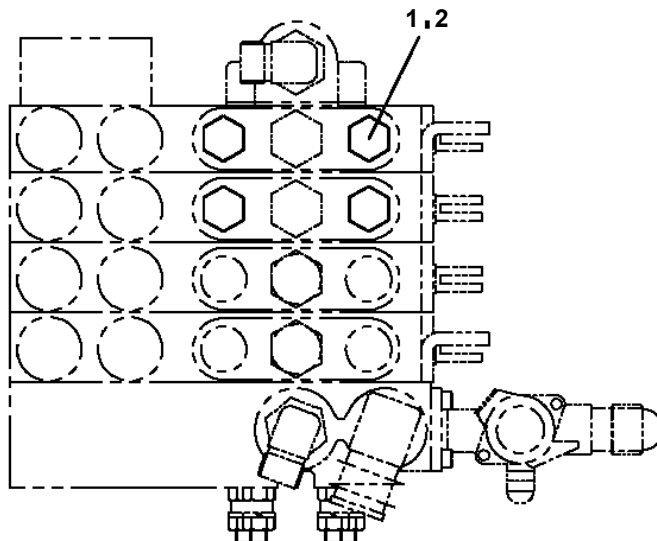
**TM-ZE260 41008401234A FRAME/HOOK-IN,RADIO CONTROL
PB1411928-01 PIPING,LOWER (FOR LOAD METER)**



TM-ZE260 41008401234A FRAME/HOOK-IN,RADIO CONTROL
PB1910181-01 PIPING (WINCHLESS/PLUG:CARRYOVER VALVE)



(ZE300SL , ZE/ZX2連バブル)



(ZE360SL)

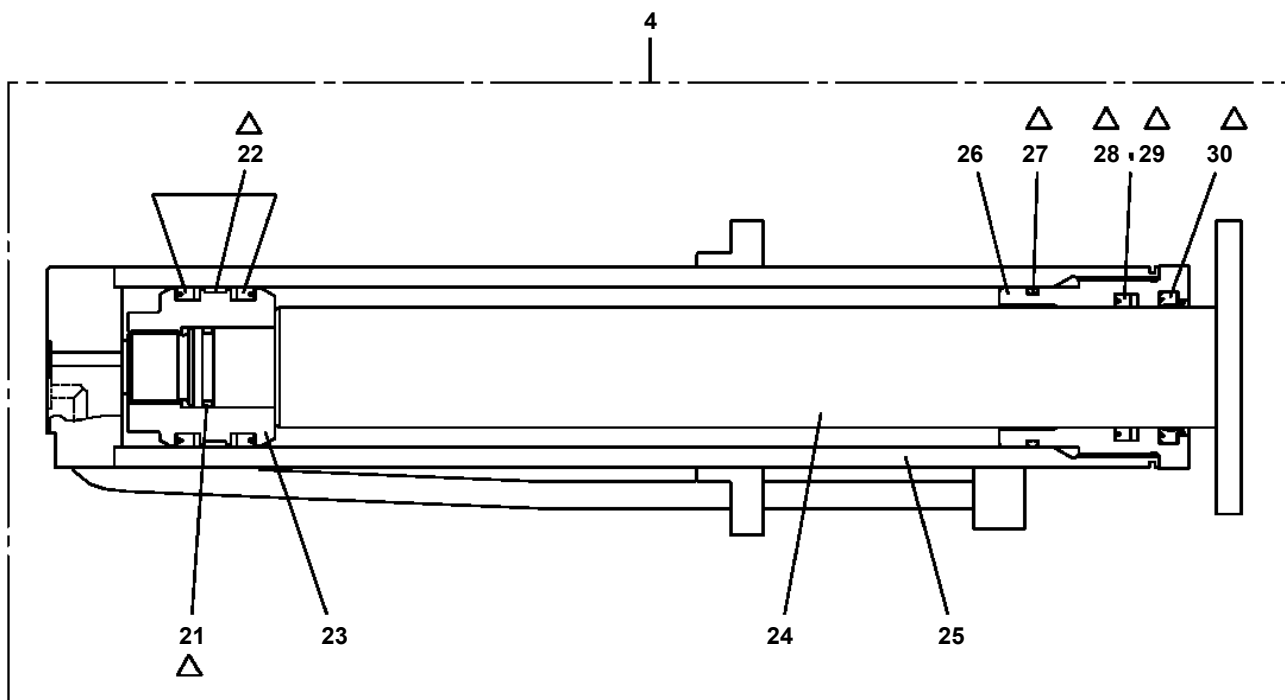
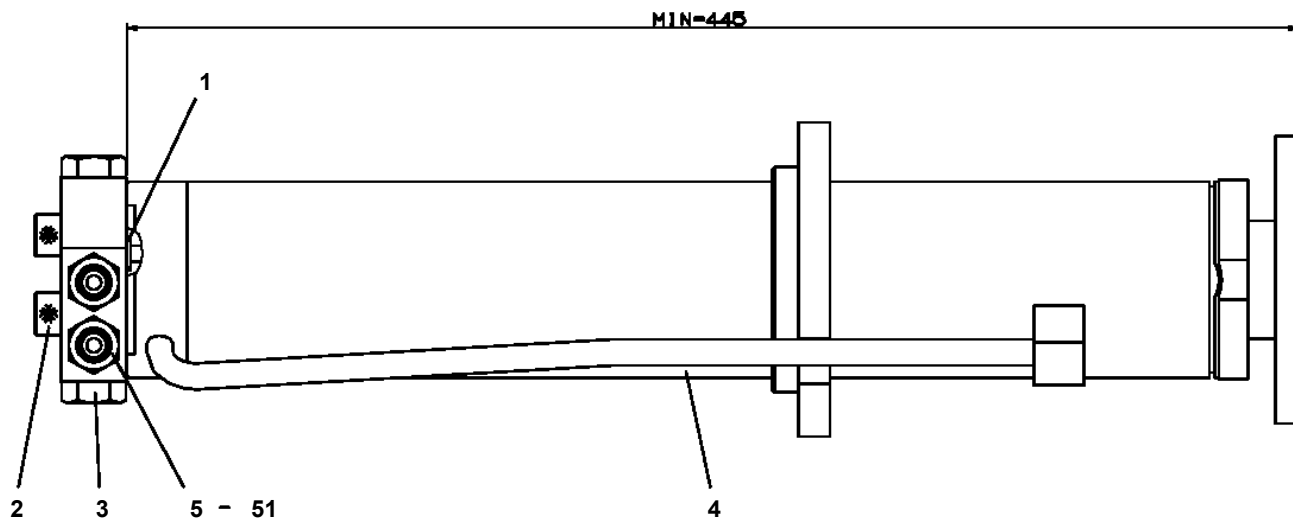
TM-ZE260 41008401234A FRAME/HOOK-IN,RADIO CONTROL

Pos No.	Parts No	Parts Name	Qty	Unit	Technical Data	Serial No (Start)	Serial No (End)
1	(*****)	POWER TAKE OFF ASSY (SELECTION)	1				
2	(*****)	PUMP ASSY (SELECTION)	1				

TM-ZE260 41008401234A FRAME/HOOK-IN,RADIO CONTROL

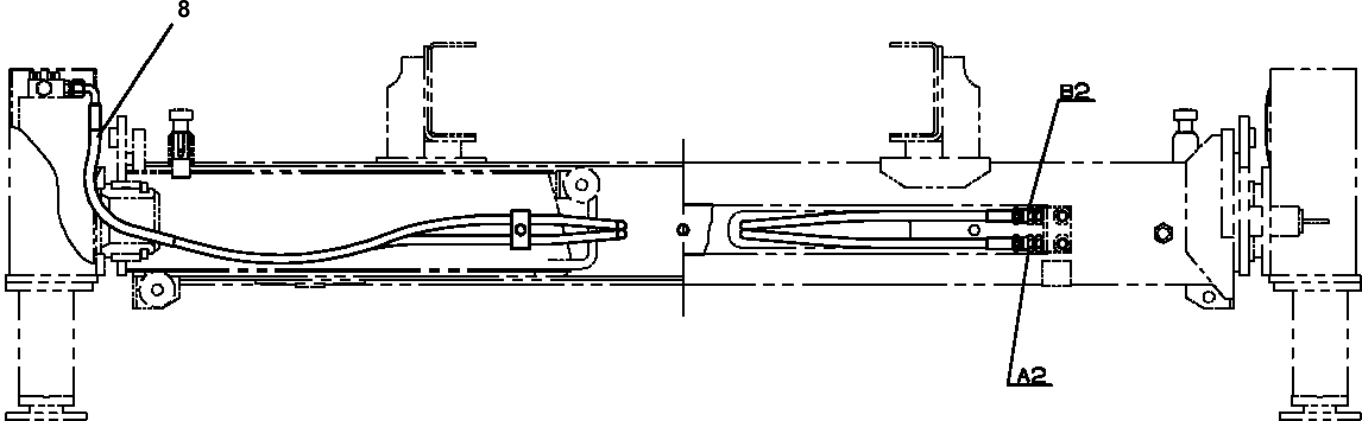
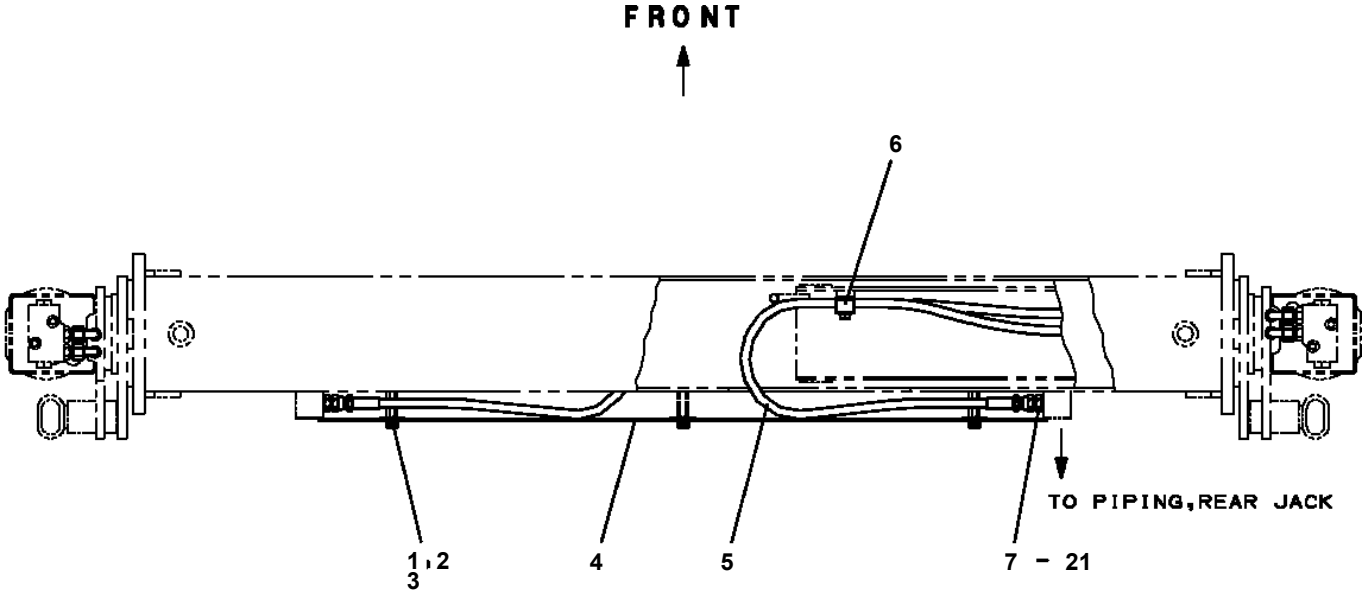
Pos No.	Parts No	Parts Name	Qty	Unit	Technical Data	Serial No (Start)	Serial No (End)	Rem
2	(*****)	LOCK ASSY	1					
3	(*****)	PIPING,OUTRIGGER	1					
4	(*****)	OUTRIGGER (STOPPER ASSY)	1					
11	31614060100	OUTRIGGER (RIGHT)	1					
12	31614060200	OUTRIGGER (LEFT)	1					

**TM-ZE260 41008401234A FRAME/HOOK-IN,RADIO CONTROL
PC1030185-04 CYLINDER,JACK (REAR)**

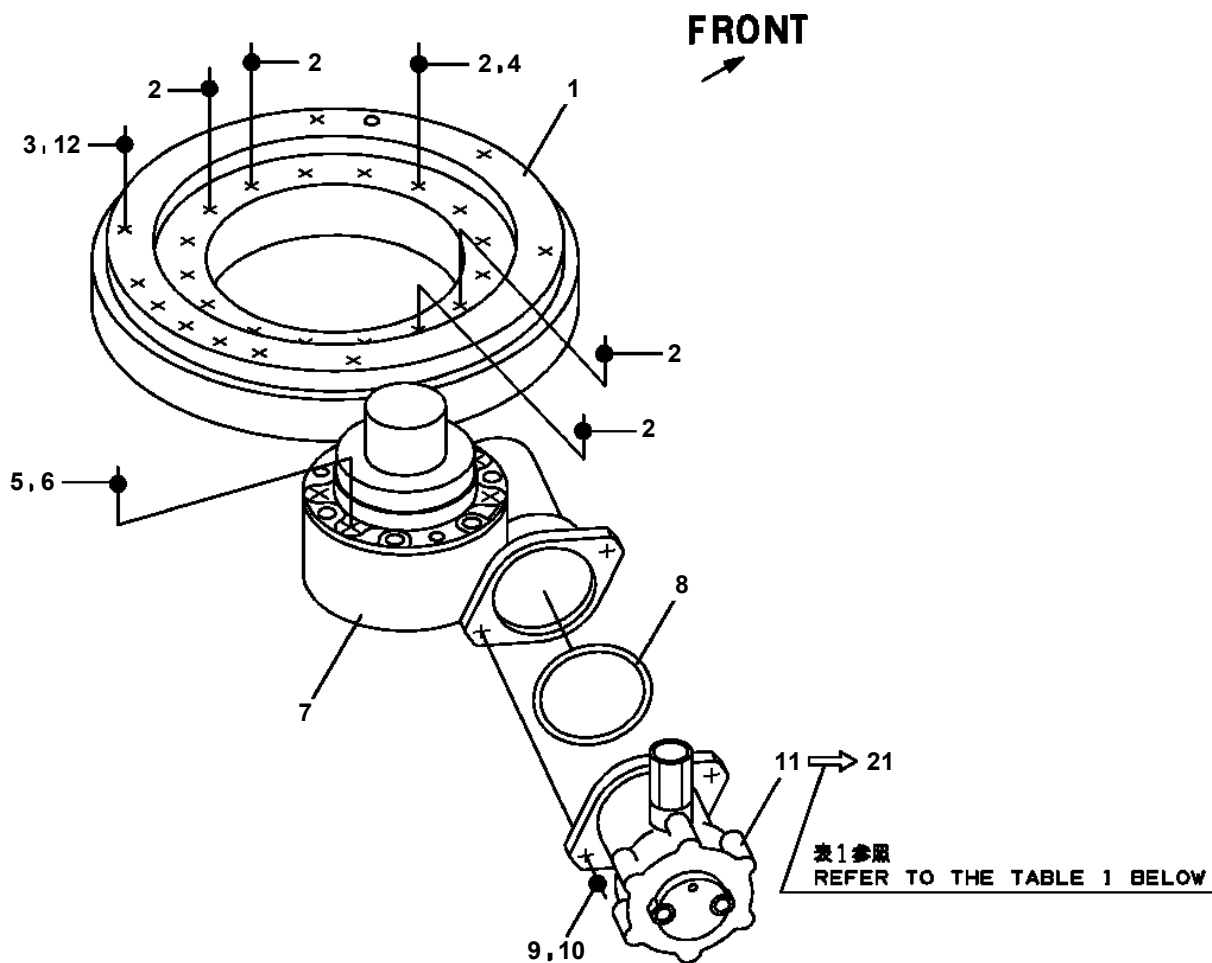


△:PACKING SET KEY NO.41 (KEY NO.21,22,27,28,29,30)

TM-ZE260 41008401234A FRAME/HOOK-IN,RADIO CONTROL
PC1230019-01 PIPING,REAR JACK (2,ROTARY)



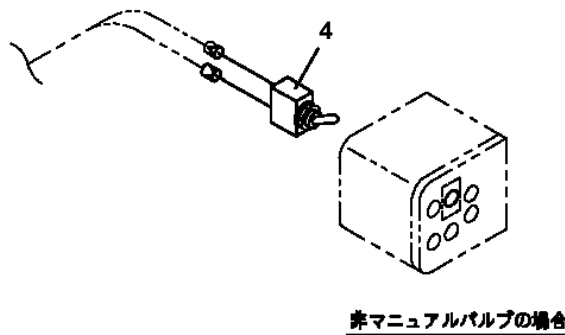
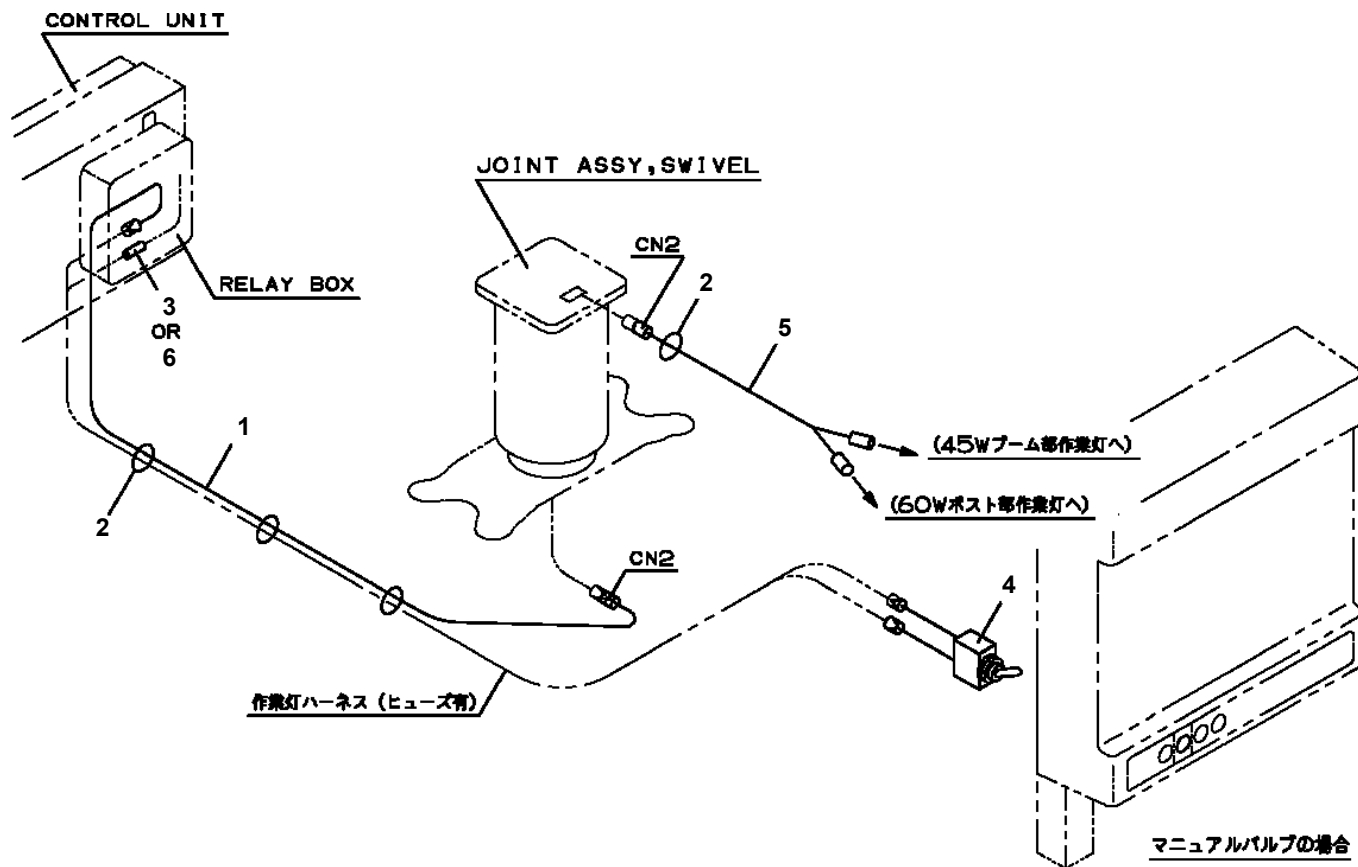
TM-ZE260 41008401234A FRAME/HOOK-IN,RADIO CONTROL
 PD1020073-01 SWING UNIT



モデル番号 MODEL	実施号繰 APPLICABLE SERIAL NO.	モデル番号 MODEL	実施号繰 APPLICABLE SERIAL NO.
TM-ZE250-2	~#ET4183	TM-ZE250-2	#ET4184~
TM-ZE260-4	~#EY4177 #EY4179~#EY4208	TM-ZE260-4	#EY4178 #EY4209~
TM-ZE290-5	~#EU7605	TM-ZE290-5	#EU7606~

表1
 TABLE 1

TM-ZE260 41008401234A FRAME/HOOK-IN,RADIO CONTROL
 PE5020035-01 ELEC.ASSY (WARKING LAMP:2-LIGHT INSTALLATION)



TM-ZE260 41008401234A FRAME/HOOK-IN,RADIO CONTROL

Pos No.	Parts No	Parts Name	Qty	Unit	Technical Data	Serial No (Start)	Serial No (End)	Remarks	Pages
1	91810130230	FASTENER	7						
2	91810130240	FASTENER	6						

TM-ZE260 41008401234A FRAME/HOOK-IN,RADIO CONTROL

Pos No.	Parts No	Parts Name	Qty	Unit	Technical Data	Serial No (Start)	Serial No (End)	Remarks	Pages
1	31502172100	HARNESS	1						000191
2	91810130250	FASTENER	10						
3	82100000192	TERMINAL	1						
4	82100000182	INSULATOR	1						

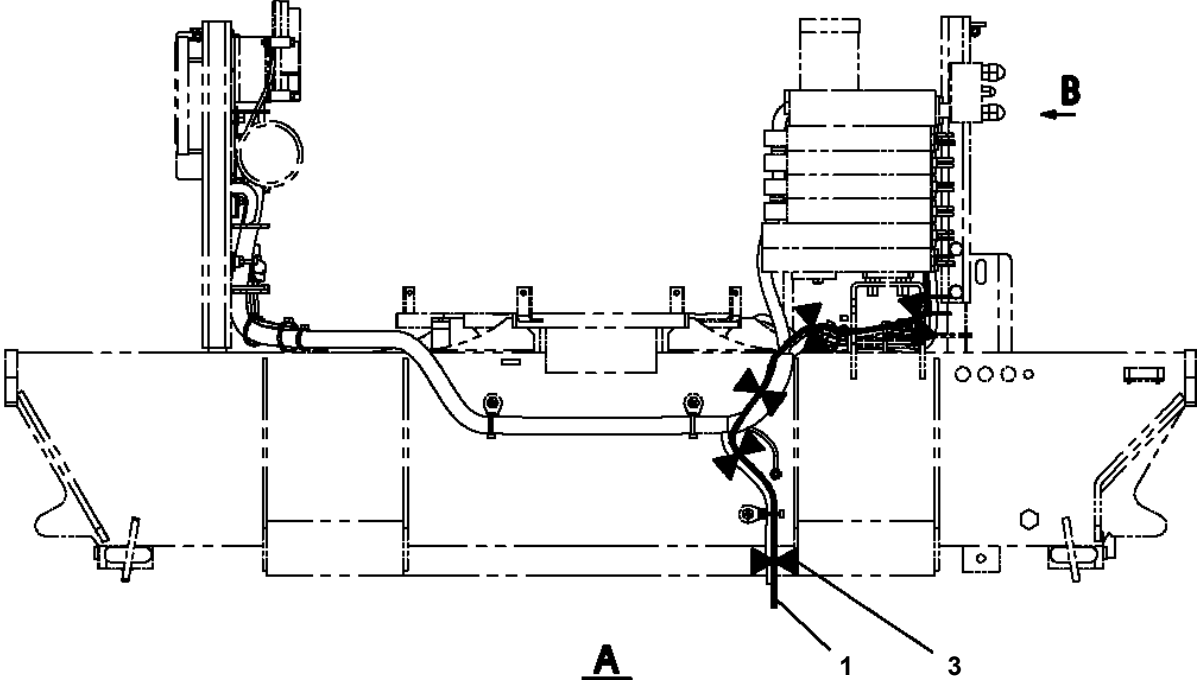
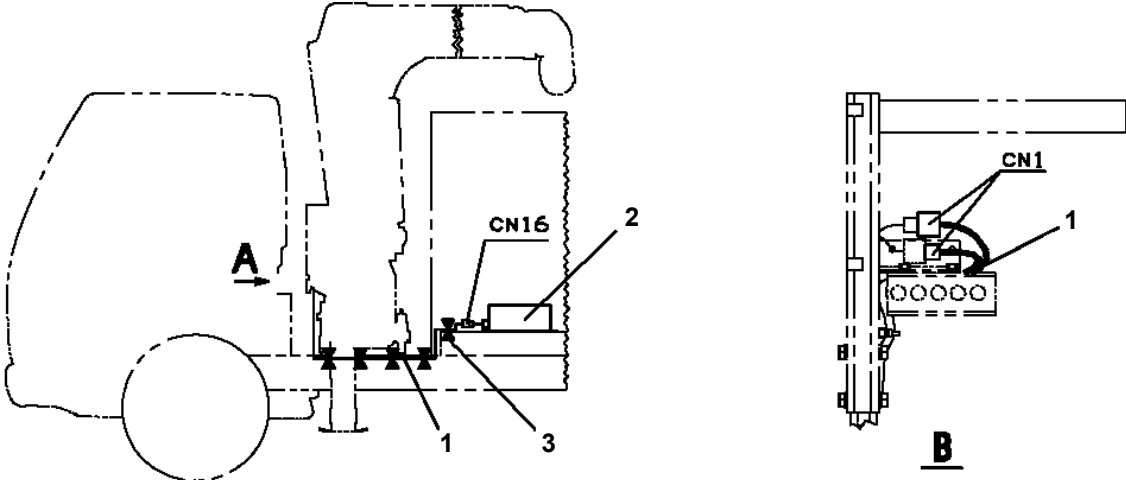
TM-ZE260 41008401234A FRAME/HOOK-IN,RADIO CONTROL

Pos No.	Parts No	Parts Name	Qty	Unit	Technical Data	Serial No (Start)	Serial No (End)	Remarks	Pages
1	31501611100	HARNESS	1						000190

TM-ZE260 41008401234A FRAME/HOOK-IN,RADIO CONTROL

Pos No.	Parts No	Parts Name	Qty	Unit	Technical Data	Serial No (Start)	Serial No (End)	Remarks	Pages
1	31503272100	HARNESS	1						000181
2	91850310305	CLAMP	15						
3	91810130240	FASTENER	20						

TM-ZE260 41008401234A FRAME/HOOK-IN,RADIO CONTROL
PE5021015-00 ELEC.ASSY (DC12V TO DC24V CONVERTER)



TM-ZE260 41008401234A FRAME/HOOK-IN,RADIO CONTROL

Pos No.	Parts No	Parts Name	Qty	Unit	Technical Data	Serial No (Start)	Serial No (End)	P
1	36072625080	CASE,GEAR	1					
2	36072625020	CASE,GEAR	1					
3	36072625030	GEAR,SPUR	1					
4	36072625100	GEAR,SPUR	1					
5	36072625050	GEAR,SPUR	1					
6	36072625110	BRAKE,DISK	1					
7	36072625120	WHEEL,RATCHET (BUSH L=17MM)	1					
8	36071195080	LINK (RATCHET CONTROL)	1					
10	36071195100	RATCHET	1					
11	36072625090	SHAFT	1					
12	36071195120	SPRING	1					
13	36071195130	CAP	1					
14	36071195140	PIN	1					
15	36071195150	NUT	1					
16	80500006202	BEARING,BALL	1					
17	80500006212	BEARING,BALL	1					
18	80500006305	BEARING,BALL	1					
19	80500006007	BEARING,BALL	1					
20	91206048001	SEAL,OIL	1					
21	80602110620	RING,RITAINING	1		R62			
23	36071195200	O-RING	1					
24	36071195170	O-RING	1		P15			
25	80136340040	PIN,SPLIT	1		4X40			
26	36072625070	KEY	2					
27	90101208018	BOLT	6		M8X18			
28	90302040801	WASHER,SPRING	6		8			
29	80316030060	PLUG	1		PT3/8			
33	36071195190	GAUGE,OIL	1					
34	80172304015	SCREW,MACHINE	1		M4X15			
35	90302040401	WASHER,SPRING	1		4			
100	36072620000	WINCH (HARTYS)	1					
101	36070441000	FACING KIT(JAPANESE)	1					
102	36070442000	FACING KIT (ENGLISH)	1					

TM-ZE260 41008401234A FRAME/HOOK-IN,RADIO CONTROL

Pos No.	Parts No	Parts Name	Qty	Unit	Technical Data	Serial No (Start)	Serial No (End)	Remarks
1	31310647530	GEAR,SPUR	1					
2	31310647540	PIN	2					
3	31310647550	DRUM	1					
4	80516006306	BEARING,BALL	1					
5	80516006206	BEARING,BALL	1					
6	90172410025	BOLT,HEXAGON SOCKET	4		M10X25			
7	90302041001	WASHER,SPRING	4		10			
100	31310641300	DRUM,WINCH (Y.G.TEC)	1					

TM-ZE260 41008401234A FRAME/HOOK-IN,RADIO CONTROL

Pos No.	Parts No	Parts Name	Qty	Unit	Technical Data	Serial No (Start)	Serial No (End)	Rema
1	36090230000	HOOK (1-PART LINE ,OPTION)	1					
11	31501442110	PLATE,CAUTION (0.49T)	1					

TM-ZE260 41008401234A FRAME/HOOK-IN,RADIO CONTROL

Pos No.	Parts No	Parts Name	Qty	Unit	Technical Data	Serial No (Start)	Serial No (End)	Remarks	Pages
1	31440791000	ROLLER ASSY	1						
2	37000105740	PIN	2						
3	80136332020	PIN,SPLIT	2		3.2X20				
4	90303071001	WASHER,PLAIN	4		10				
5	37001300000	SPRING	2						
21	37001107470	ROLLER ASSY	2						
22	37001108130	ROLLER ASSY	1						
23	31440241100	PIN	1						
24	31440791100	SUPPORT	1						
25	31440150350	WASHER,PLAIN	2						
26	90286001007	NUT	2		M10 P=1.25				
42	80516006001	BEARING,BALL	4						
43	80602110280	RING,RITAINING	2		R28				

TM-ZE260 41008401234A FRAME/HOOK-IN,RADIO CONTROL
 PF1400441-02 MOUNT,WINCH (SELF/2.5TX1:S-RADICON+WITHRJ)

指示番号 KEY NO.	マウント,ウインチ (セルフ/2.5TX1:シク* ルラシ* コン+リヤシ* ャツキツキ) MOUNT,WINCH (SELF/2.5TX1:S-RADICON+WITH RJ)
1	マウント,ウインチ MOUNT,WINCH
3	ハ* イビ* ンク* (オプ* ションハ* ルフ* -メインハ* ルフ*) PIPING (OPTION VALVE-MAIN VALVE)
4	ハ* イビ* ンク* (オプ* ションハ* ルフ* -リヤアウトリカ* ヨウシ* ヨイント) PIPING (OPT.VALVE:JOINT FOR R/O)
5	ハ* イビ* ンク* ,ウインチ PIPING,WINCH
6	フ* レートASSY,ネーム (コントロール) PLATE ASSY,NAME (CONTROL)
7	フ* レートASSY,ネーム (リヤアウトリカ*) PLATE ASSY,NAME (REAR OUTRIGGER)
8	ロープ* ASSY ROPE ASSY
9	オペ* .ASSY,ソウサハ* ルフ* OPE.ASSY,CONT.VALVE
10	ハイセンASSY (クレーン) ELEC.ASSY (CRANE)
11	ハイセンASSY (セルフウインチ) ELEC.ASSY (SELF WINCH)
12	ハイセンASSY (シク* ルラシ* コンヨウハーネス) ELEC.ASSY (HARNESS FOR SR)
13	ハイセンASSY (ハーネス:リヤアウトリカ* ハーネスセツソ* クヨウ) ELEC.ASSY (HARNESS:FOR CONNECTING R/O HARNESS)
14	ハイセンASSY (リヤアウトリカ* ヨウ) ELEC.ASSY (FOR REAR OUTRIGGER)
15	ハ* ツASSY,ラシ* コン PARTS ASSY,RADIO CONTROLLER
16	フレームASSY FRAME ASSY
16 - 21	アウトリカ* ,リヤ OUTRIGGER,REAR
16 - 22	ロックASSY LOCK ASSY

適用製造番号によっては取り付けがないものもあります。

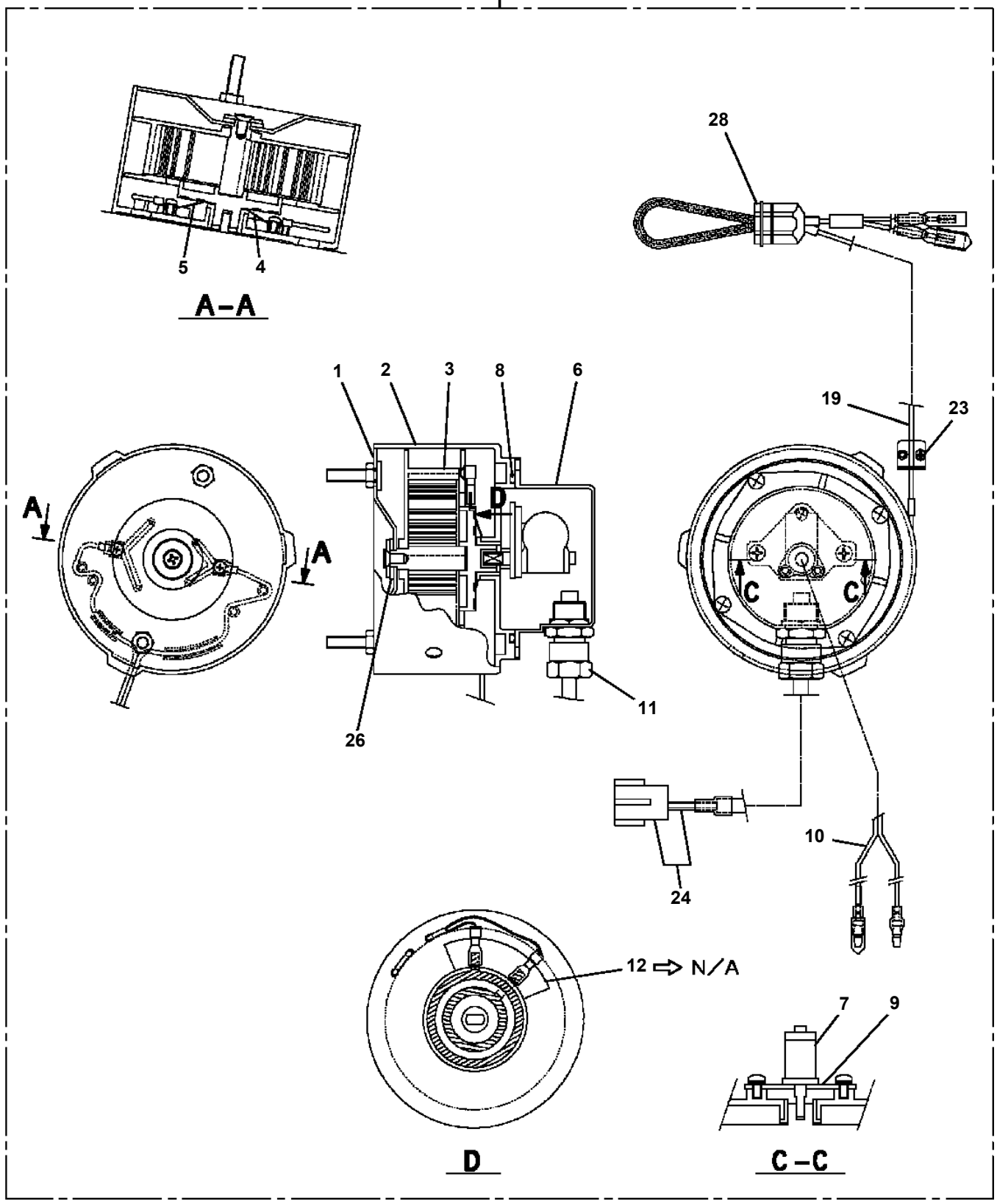
MACHINES OF SOME SERIAL NO. ARE NOT EQUIPPED WITH THESE PARTS.

TM-ZE260 41008401234A FRAME/HOOK-IN,RADIO CONTROL
 PF1400446-00 MOUNT,WINCH(SELF/2.5TX1:FR+SOLENOID VALVE,WITH RJ)

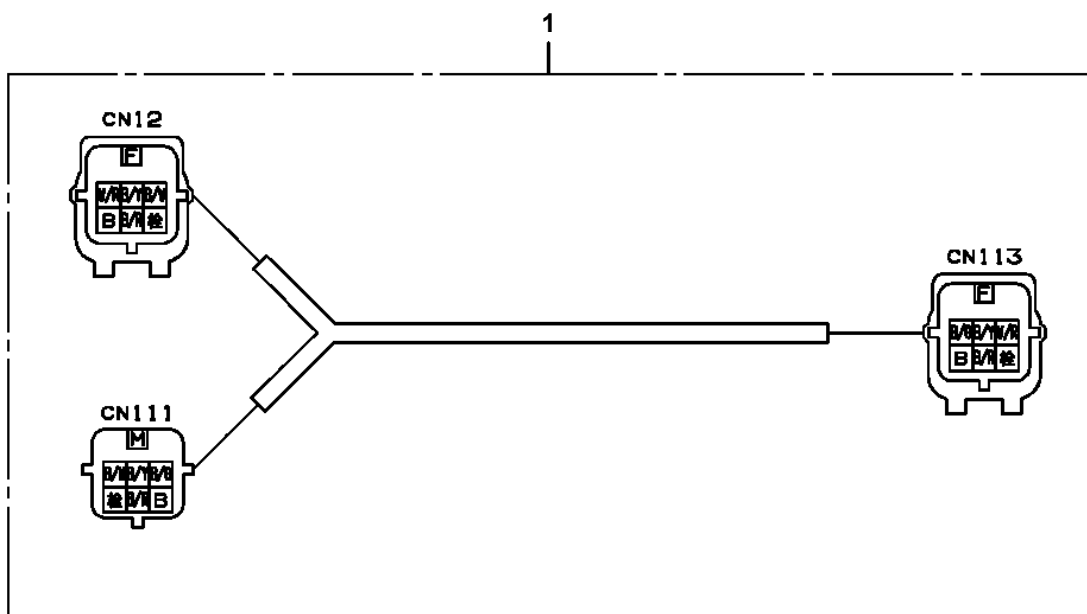
指示番号 KEY NO.	マウント,ウインチ (セルフ/2.5TX1:フルラジコン+テンジックハールフ ,RJツキ) MOUNT,WINCH (SELF/2.5TX1:FR+SOLENOID VALVE,WITH RJ)
1	マウント,ウインチ MOUNT,WINCH
3	パイピング PIPING
4	パイピング ,ウインチ PIPING,WINCH
5	プレートASSY,ネーム (コントロール) PLATE ASSY,NAME (CONTROL)
6	プレートASSY,ネーム (リアアウトリガ) PLATE ASSY,NAME (REAR OUTRIGGER)
7	ロープ ASSY ROPE ASSY
8	オペ .ASSY,ソウサハールフ OPE.ASSY,CONT.VALVE
9	ハイセンASSY (クレーン) ELEC.ASSY (CRANE)
10	ハイセンASSY (セルフウインチ) ELEC.ASSY (SELF WINCH)
11	ハイセンASSY (CN99/プーラック) ELEC.ASSY (CN99/PULG)
12	ハイセンASSY (ハーネス:リアアウトリガ ハーネスセツソクヨウ) ELEC.ASSY (HARNES:FOR CONNECTING R/O HARNES)

TM-ZE260 41008401234A FRAME/HOOK-IN,RADIO CONTROL
PG1120257-02 DETECTOR,BOOM LENGTH

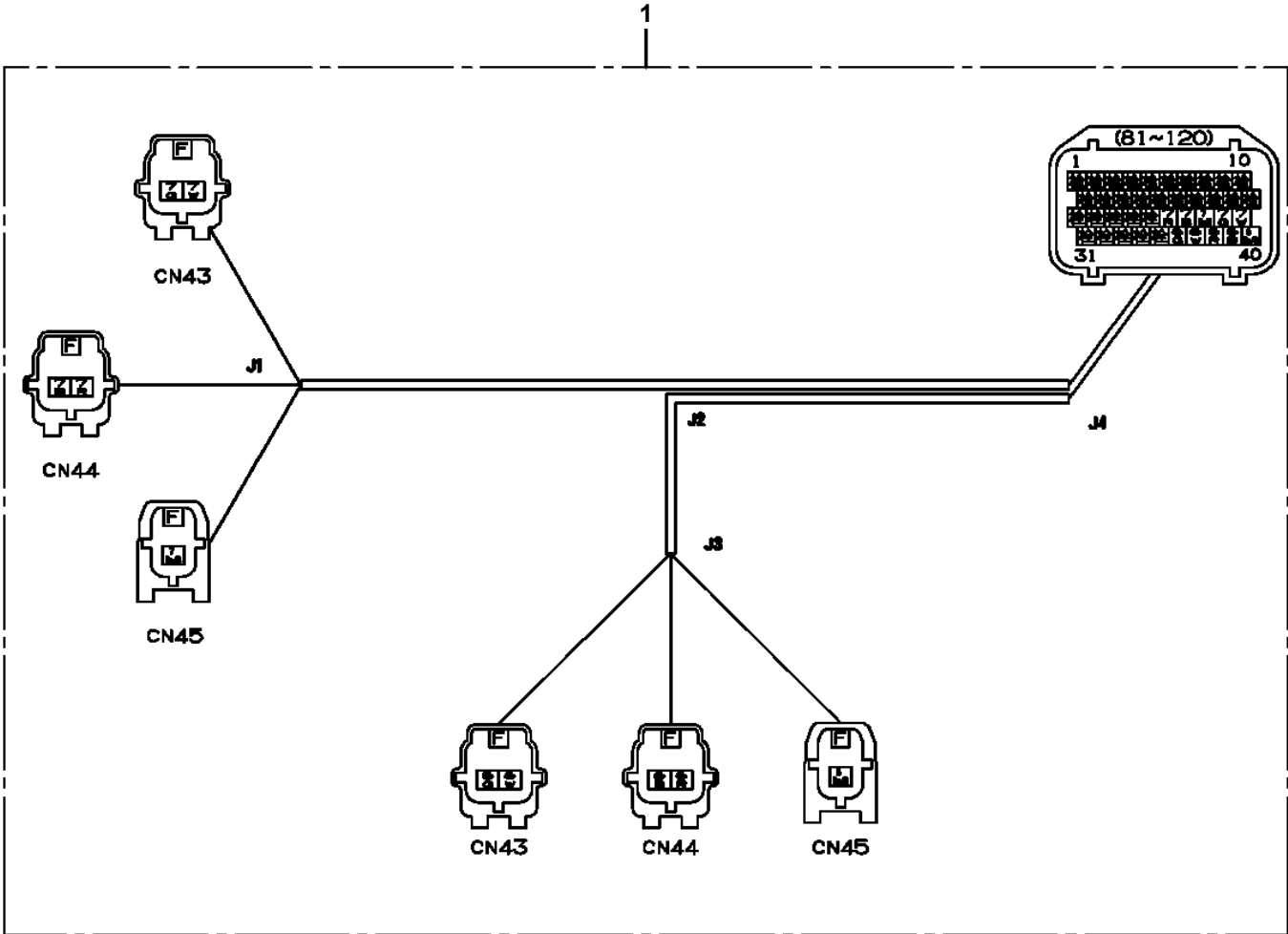
100



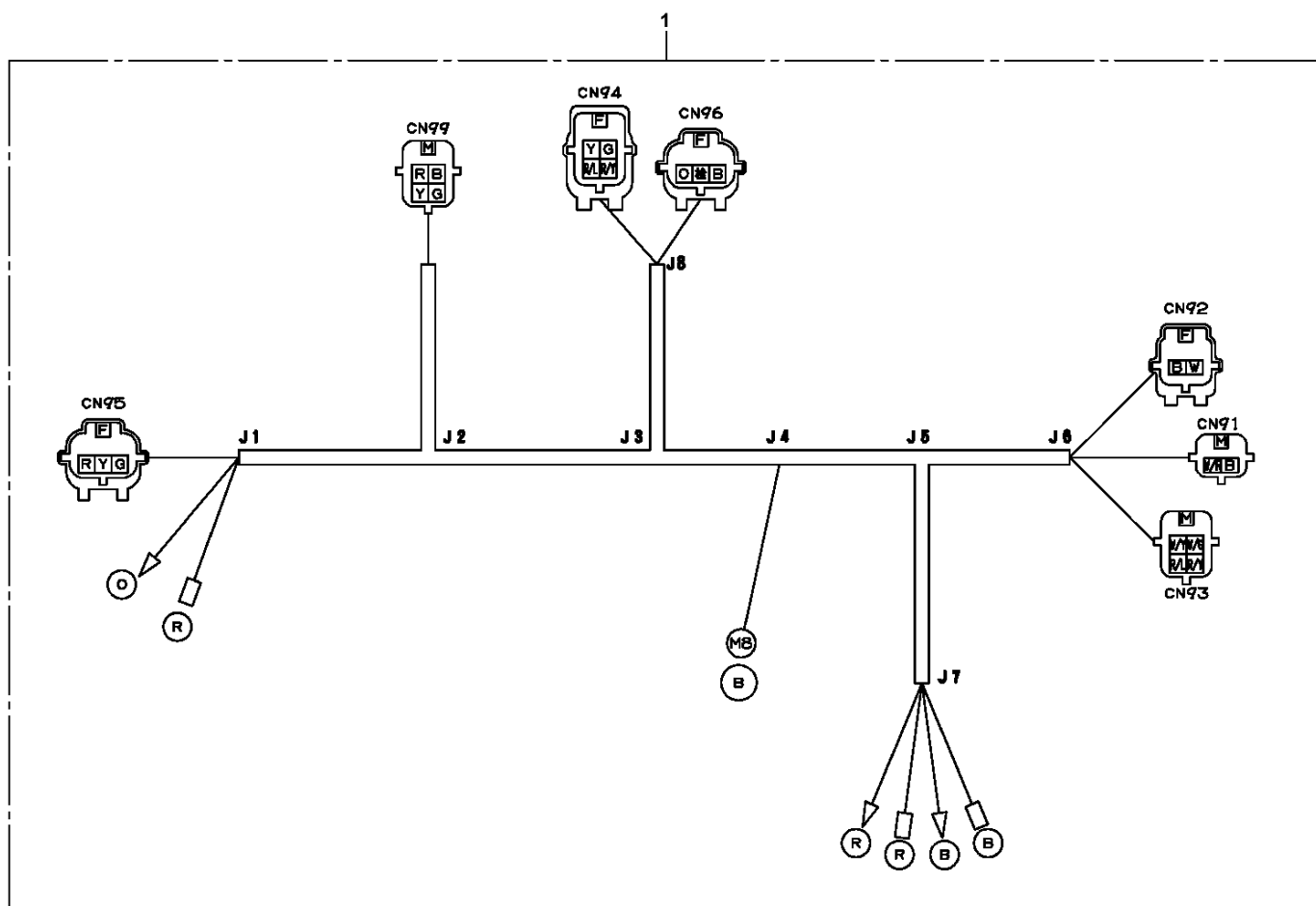
TM-ZE260 41008401234A FRAME/HOOK-IN,RADIO CONTROL
PH5030653-00 HARNESS



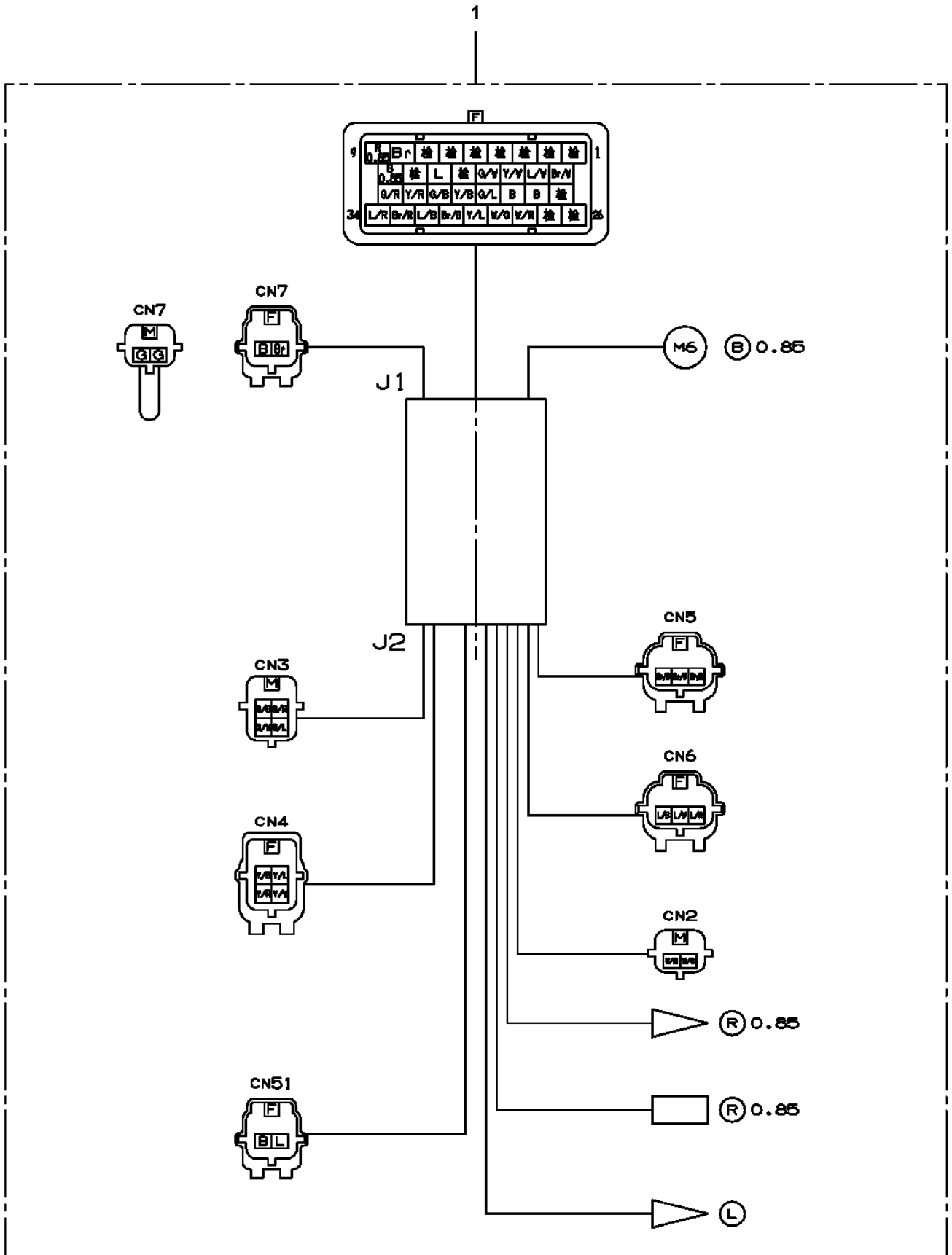
TM-ZE260 41008401234A FRAME/HOOK-IN,RADIO CONTROL
PH5030671-00 HARNESS



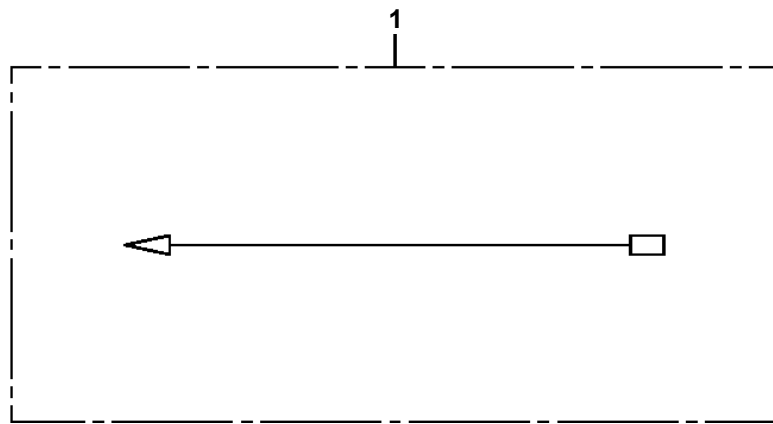
TM-ZE260 41008401234A FRAME/HOOK-IN,RADIO CONTROL
PH5030677-00 HARNESS



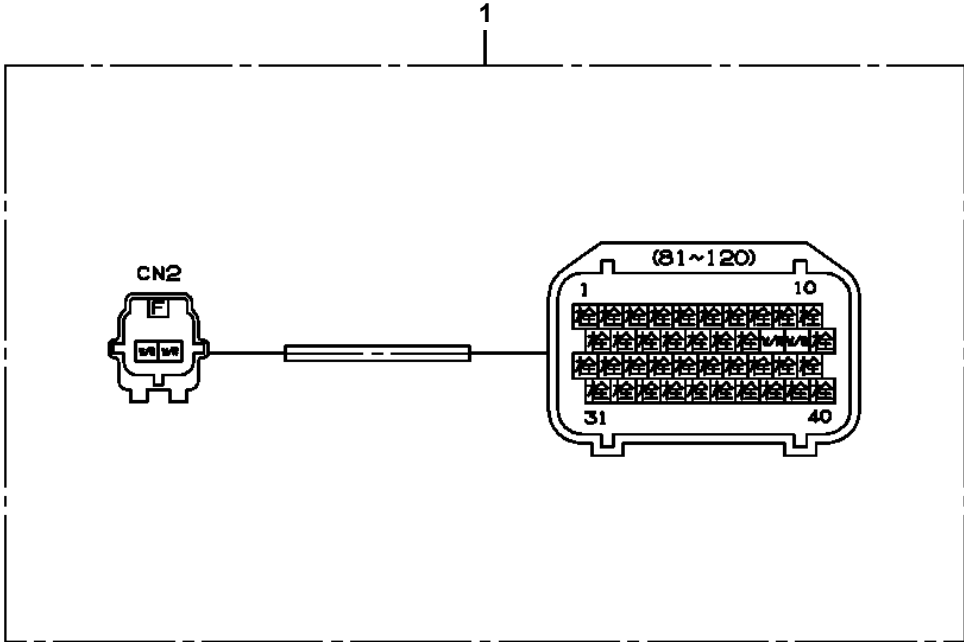
TM-ZE260 41008401234A FRAME/HOOK-IN,RADIO CONTROL
PH5031206-00 HARNESS



**TM-ZE260 41008401234A FRAME/HOOK-IN,RADIO CONTROL
PH5032122-00 HARNESS (L=1000)**



TM-ZE260 41008401234A FRAME/HOOK-IN,RADIO CONTROL
PH5033392-00 HARNESS (L=2290)



CLICK HERE TO **DOWNLOAD** THE COMPLETE MANUAL

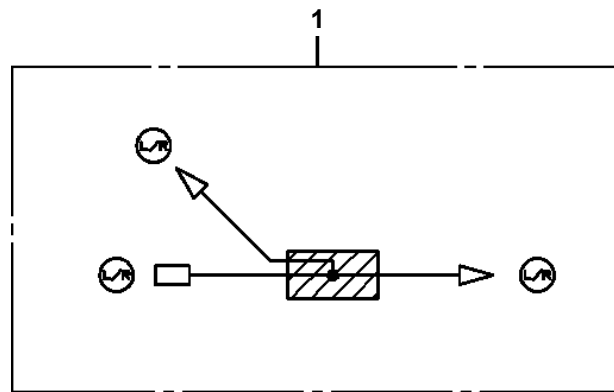
- Thank you very much for reading the preview of the manual.
- You can download the complete manual from: www.heydownloads.com by clicking the link below



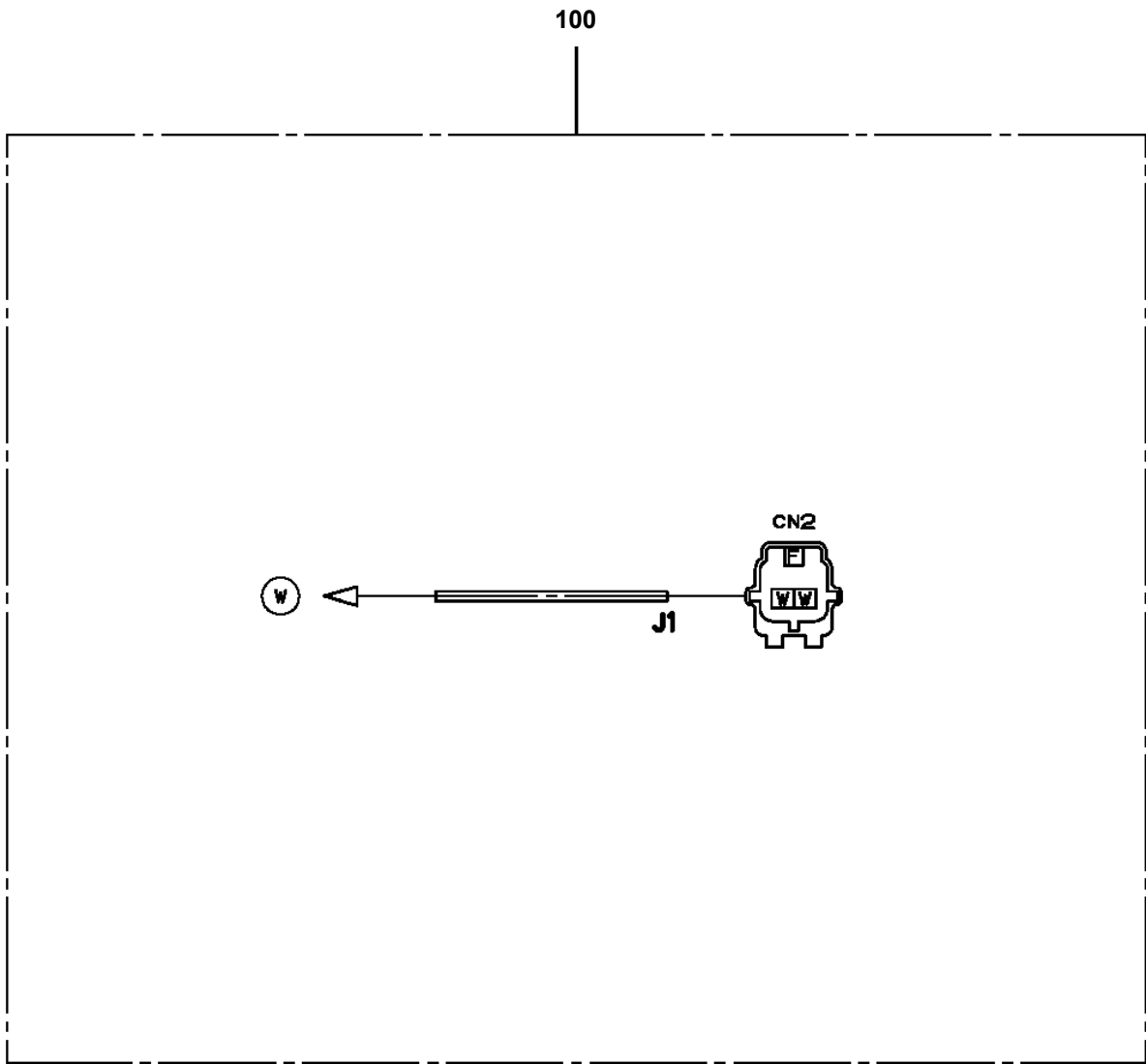
- Please note: If there is no response to CLICKING the link, please download this PDF first and then click on it.

CLICK HERE TO **DOWNLOAD** THE COMPLETE MANUAL

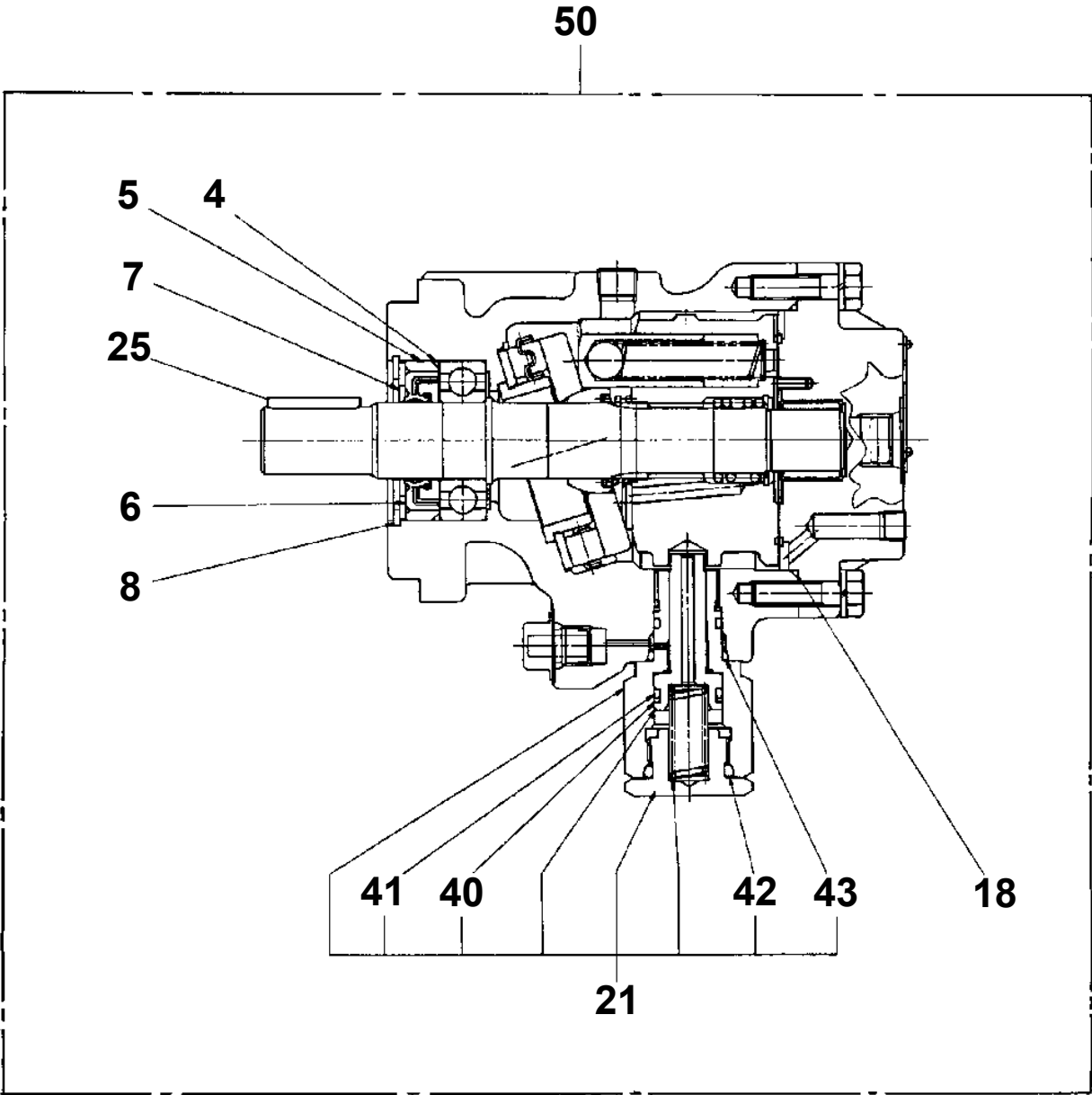
TM-ZE260 41008401234A FRAME/HOOK-IN,RADIO CONTROL
PH5034294-00 HARNESS



TM-ZE260 41008401234A FRAME/HOOK-IN,RADIO CONTROL
PH5034300-00 HARNESS

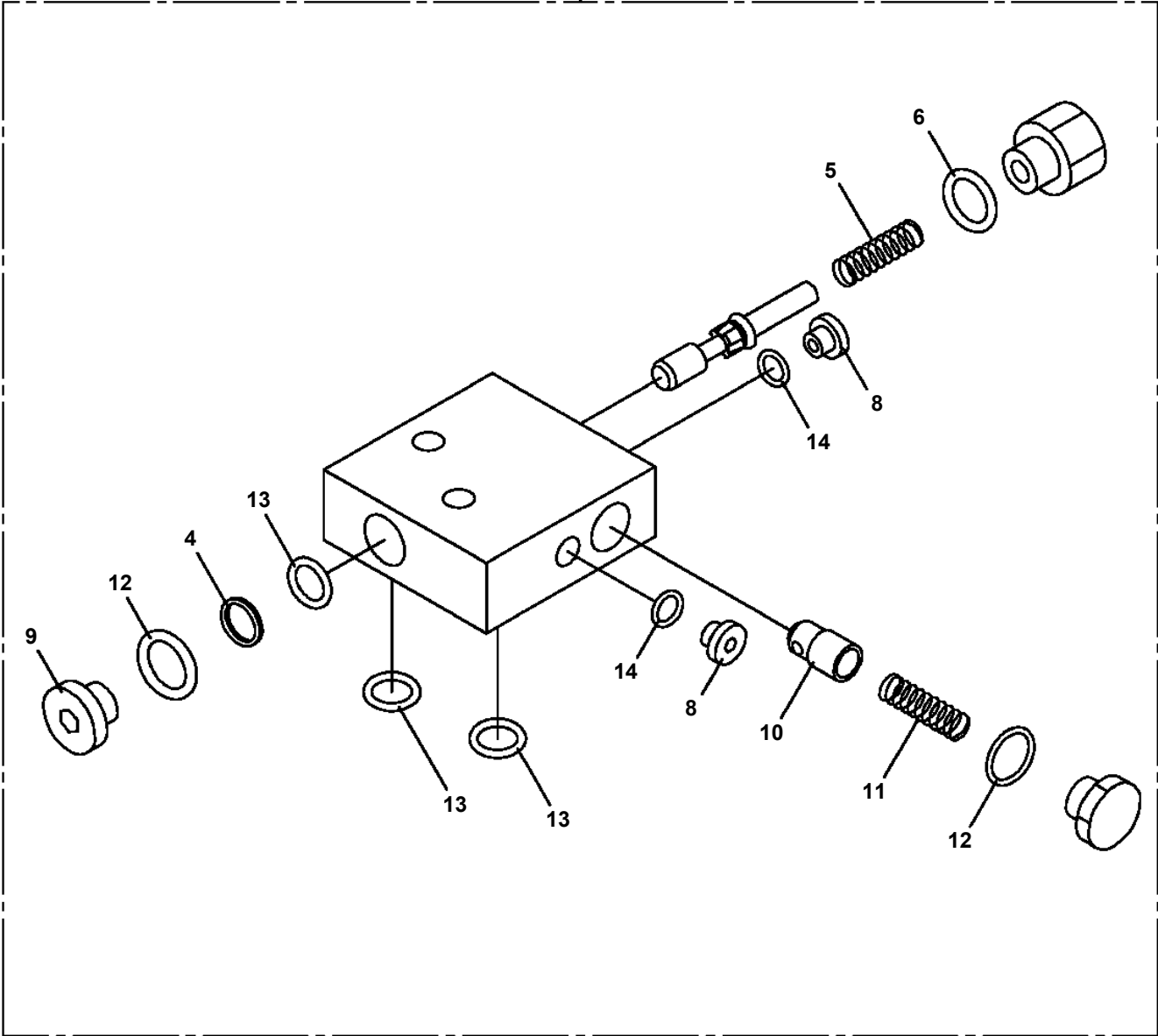


**TM-ZE260 41008401234A FRAME/HOOK-IN,RADIO CONTROL
PI1010069-00 MOTOR,HYDRAULIC (SWING)**

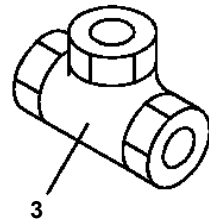
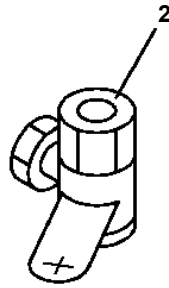
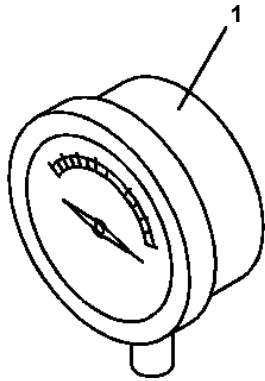


TM-ZE260 41008401234A FRAME/HOOK-IN,RADIO CONTROL
PI1250160-02 VALVE,COUNTERBALANCE

50



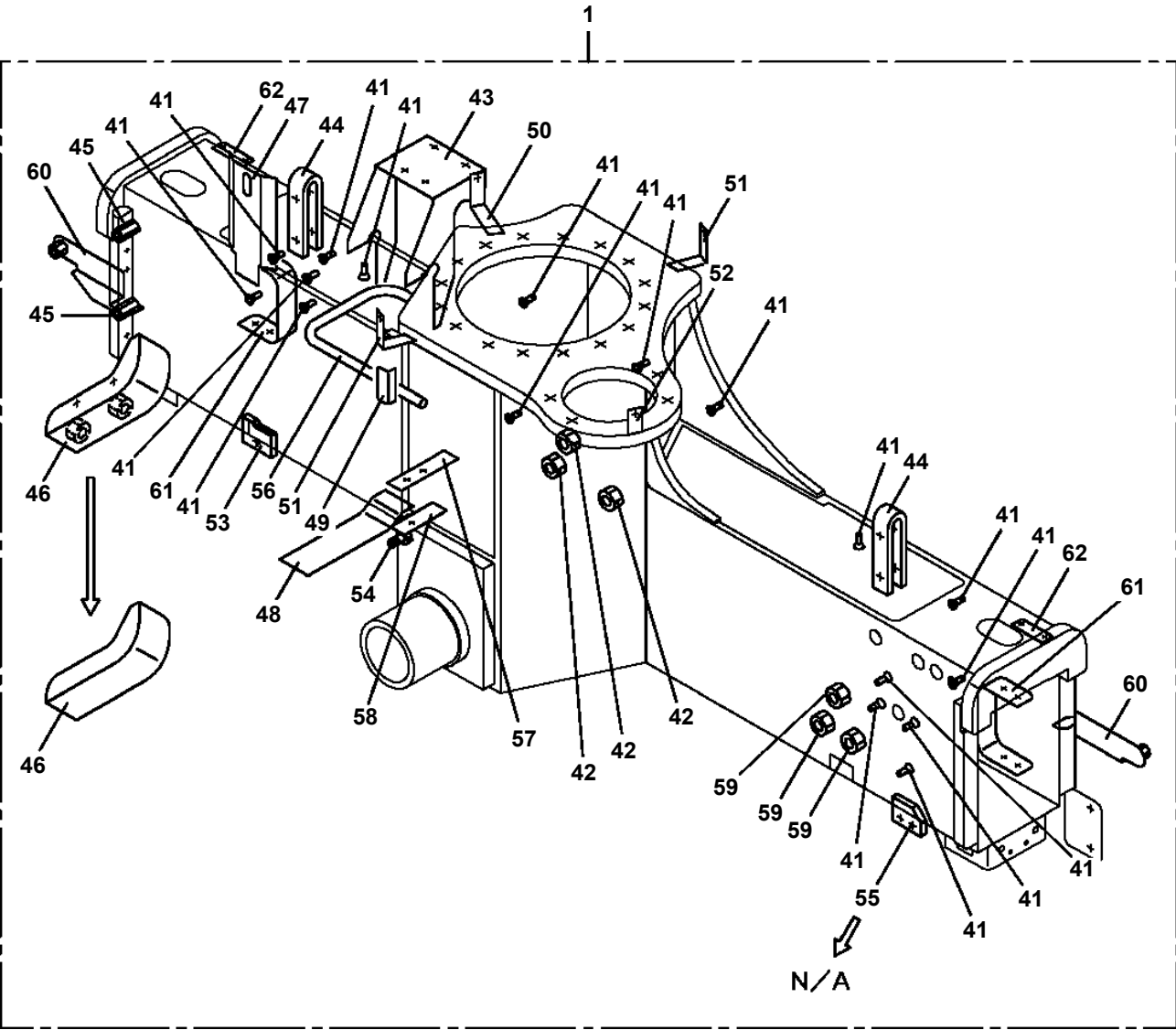
TM-ZE260 41008401234A FRAME/HOOK-IN,RADIO CONTROL
PI1440040-00 METER,LOAD (BOTH SIDE)



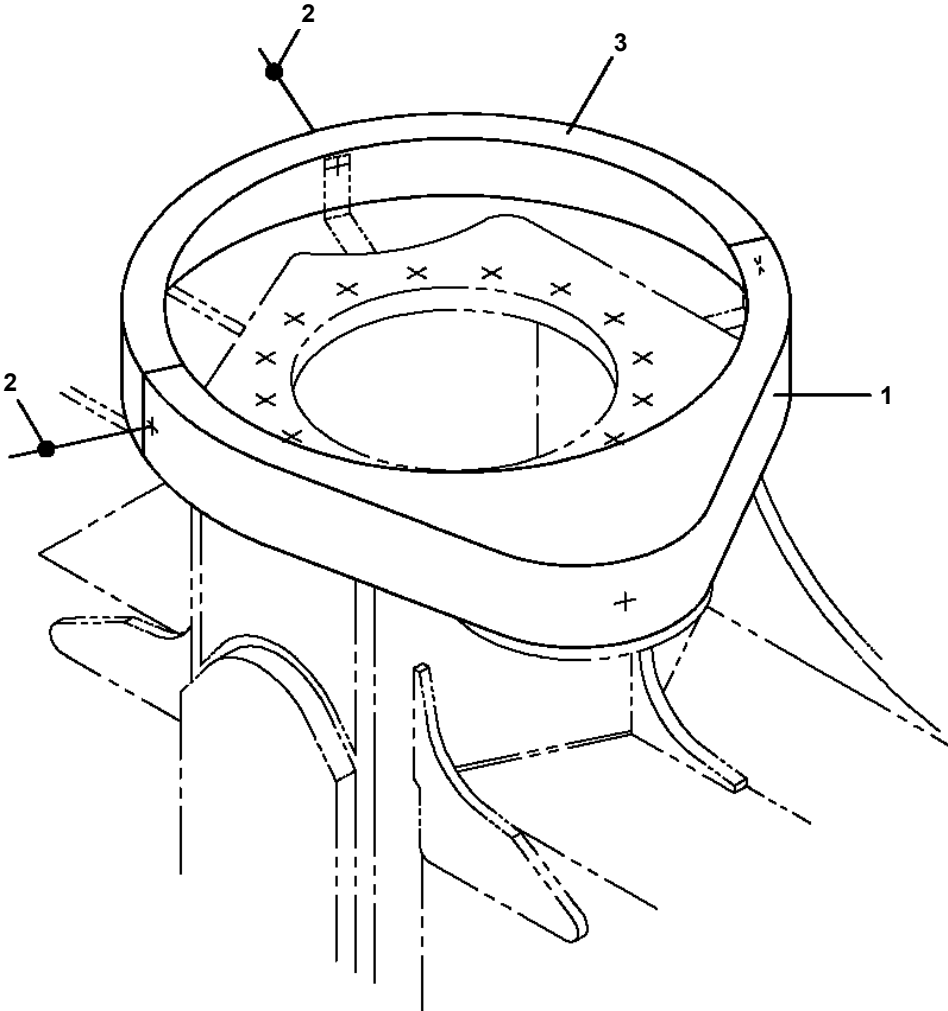
TM-ZE260 41008401234A FRAME/HOOK-IN,RADIO CONTROL

Pos No.	Parts No	Parts Name	Qty	Unit	Technical Data	Serial No (Start)	Serial No (End)	Remarks
44	37001400351	SPRING	1					

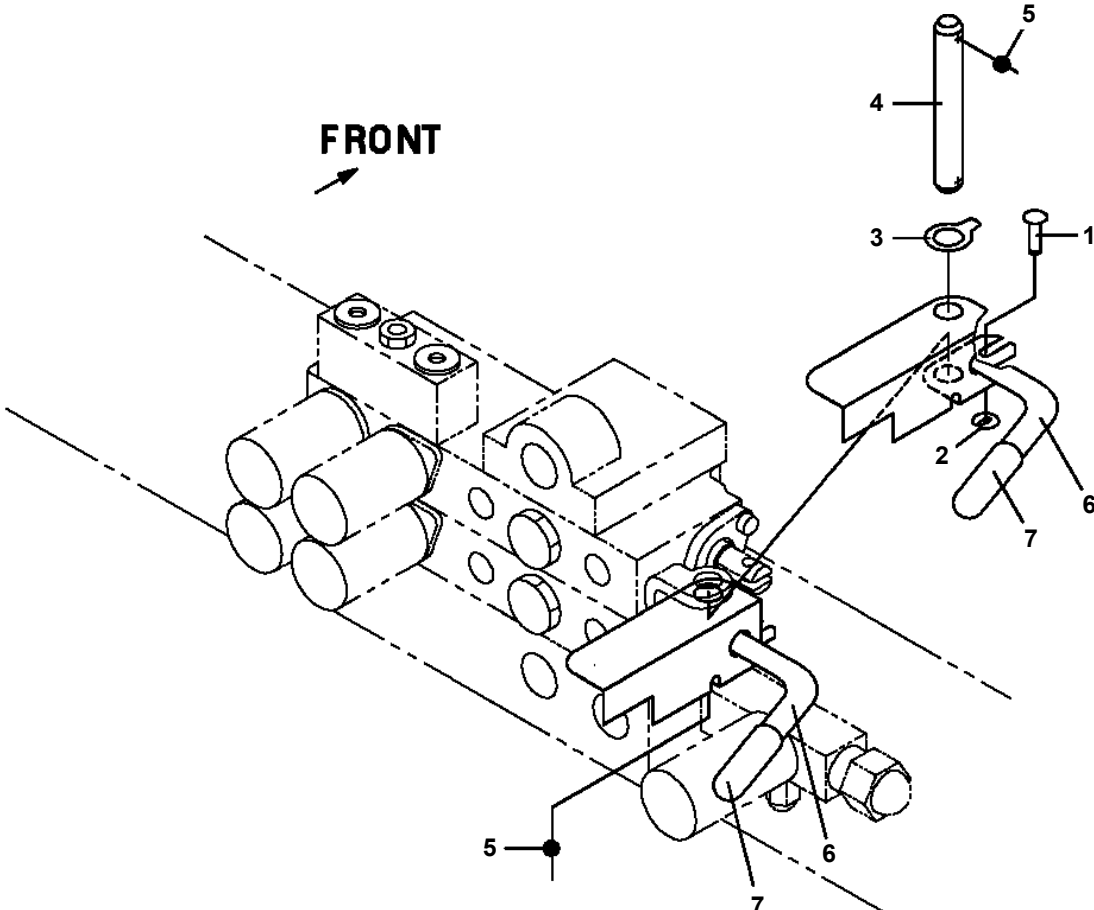
TM-ZE260 41008401234A FRAME/HOOK-IN,RADIO CONTROL
PK1011435-01 FRAME



TM-ZE260 41008401234A FRAME/HOOK-IN,RADIO CONTROL
PK1330438-00 COVER (SWING)



TM-ZE260 41008401234A FRAME/HOOK-IN,RADIO CONTROL
PL1011157-00 OPE.ASSY,CONT.VALVE



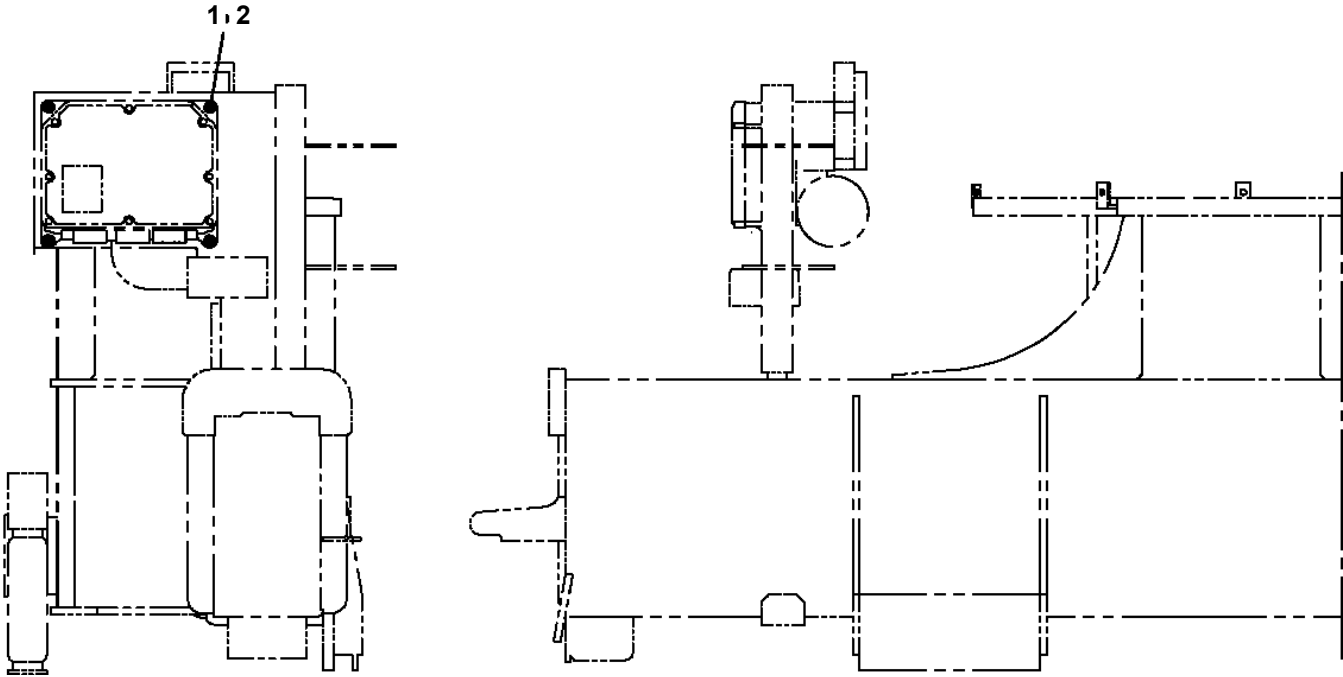
TM-ZE260 41008401234A FRAME/HOOK-IN,RADIO CONTROL
PL5020069-00 LAMP ASSY (LED19W BOOM WORKING: W/O SAFETY DEVICES)

ランプ ASSY
(LED19Wブームワーキング :アンセ ンソウチナシ)
LAMP ASSY
(LED19W BOOM WORKING:W/O SAFETY DEVICES)

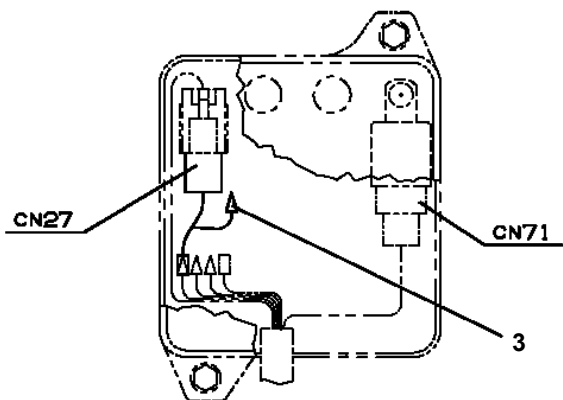
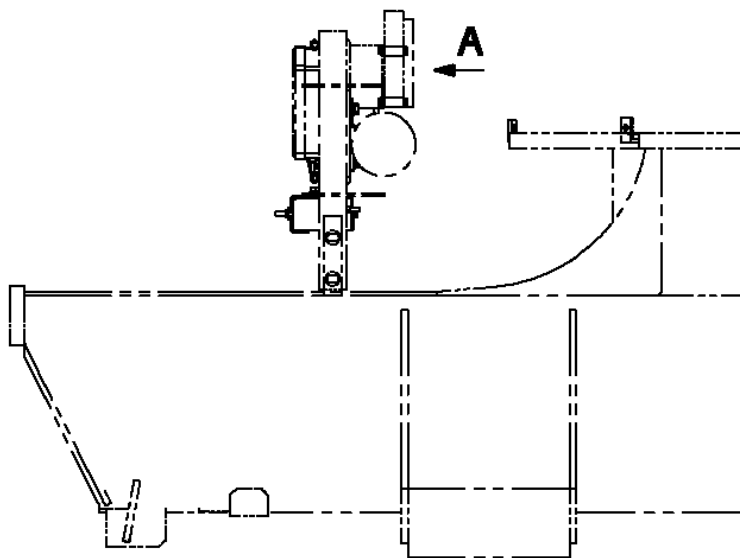
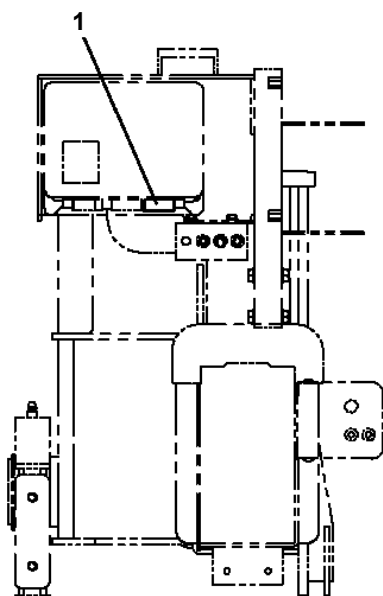
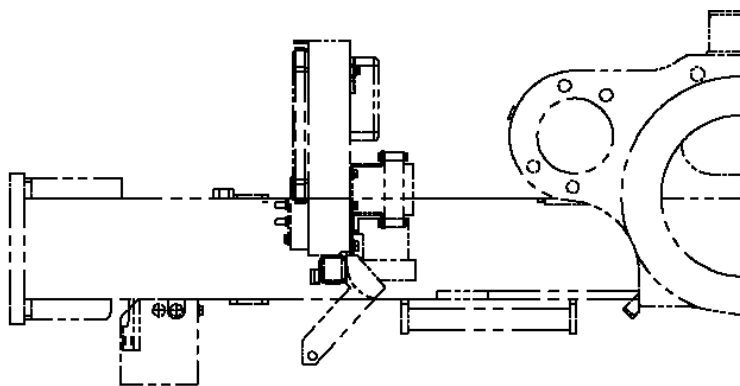
【組立名称一覧】より選択してください。

SEE THE CORRESPONDING "ASSEMBLY NAME" LIST.

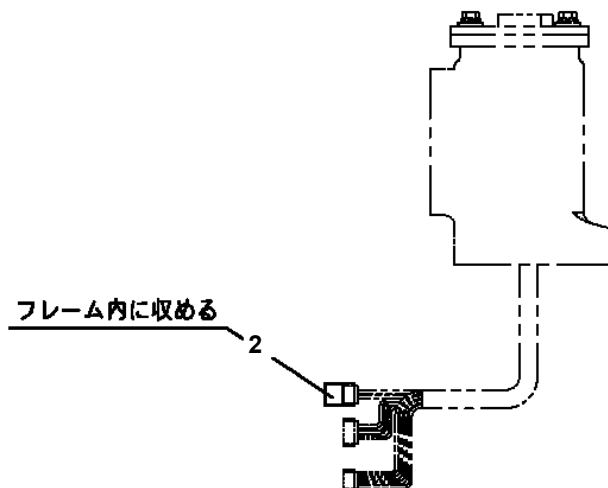
**TM-ZE260 41008401234A FRAME/HOOK-IN,RADIO CONTROL
PN1014534-00 ELEC.ASSY (MOUNT CONTROL UNIT)**



TM-ZE260 41008401234A FRAME/HOOK-IN,RADIO CONTROL
PN1014675-01 ELEC.ASSY (PLUG:FRAME/INTERLOCK)



A



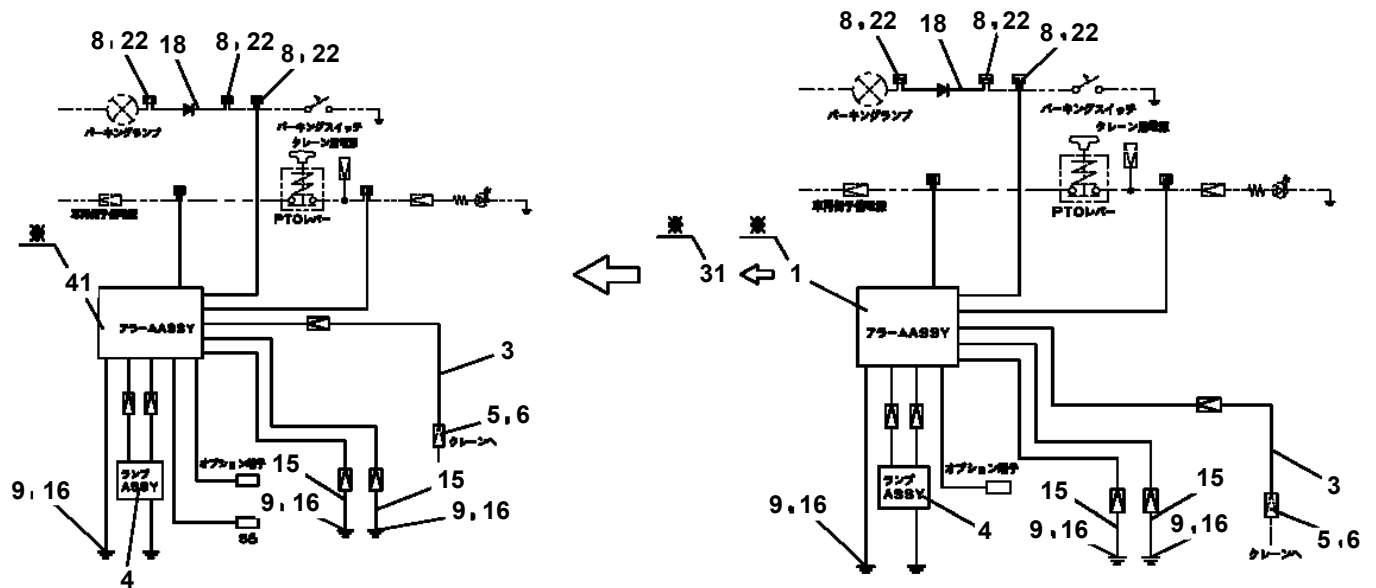
JOINT, ROTARY

TM-ZE260 41008401234A FRAME/HOOK-IN,RADIO CONTROL

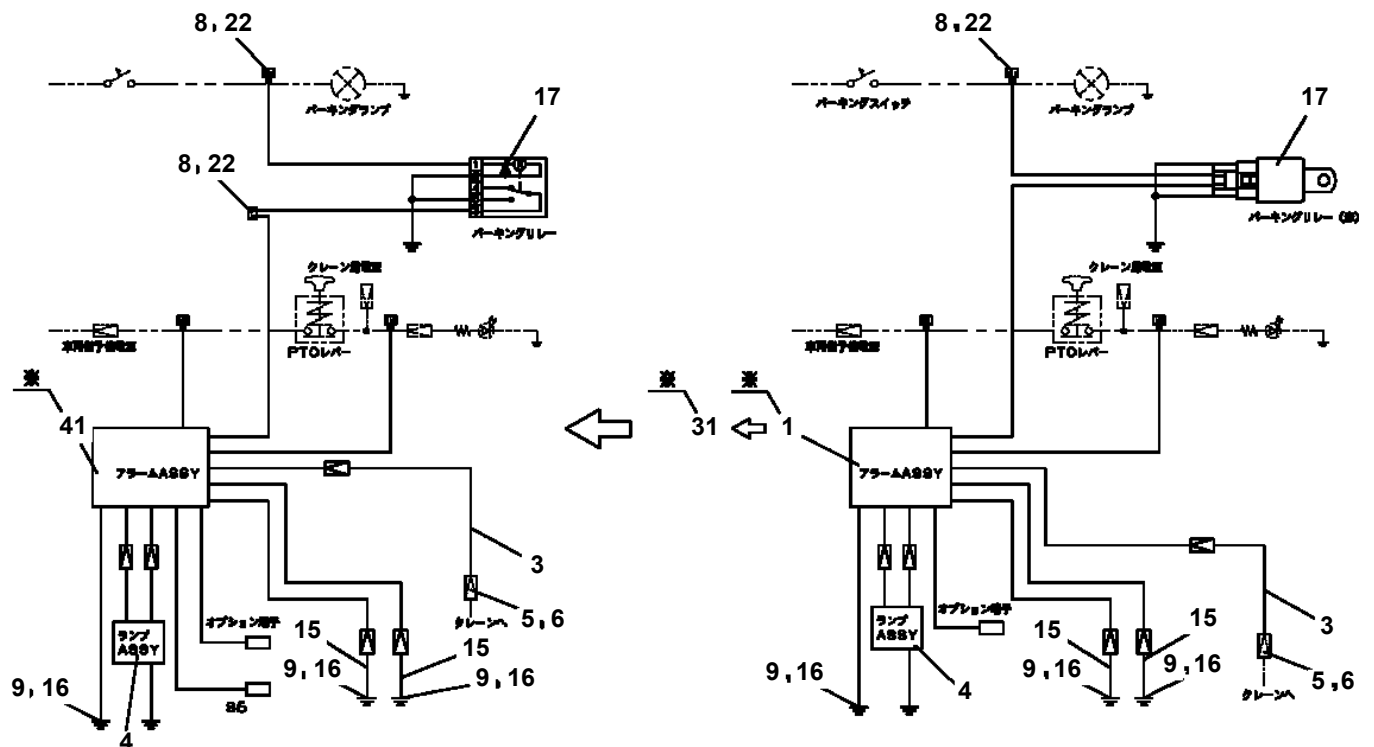
Pos No.	Parts No	Parts Name	Qty	Unit	Technical Data	Serial No (Start)	Serial No (End)	Remarks
1	31501192100	SUPPORT	1					
2	31501192200	PLATE	1					
3	90186210016	BOLT,FLANGE	2		M10X16			
4	31650690400	SUPPORT	1					
5	90813108020	BOLT,WING	1		M8X20			
6	90309331201	WASHER	2		L12			
7	90303071201	WASHER,PLAIN	1		12			
8	90236201200	NUT,CASTLE	1		2H M12			
9	80136325025	PIN,SPLIT	1		2.5X25			
10	31650690500	LEVER	1					
11	82165904160	LAMP	1					
12	90280201000	NUT,FLANGE	1		M10			
13	90186206010	BOLT,FLANGE	1		M6X10			
14	90280200600	NUT,FLANGE	1		M6			
15	82401600504	CLAMP	3		D=4.5			
16	91810130240	FASTENER	1					
17	37002212770	PLATE,NAME (DC24V,0.1A)	1			LA9684		

TM-ZE260 41008401234A FRAME/HOOK-IN,RADIO CONTROL
 PN1014693-04 ELEC.ASSY (CARRIER/ALARM)

パーキングランプの下流にパーキングスイッチがある場合 (Dタイプ)

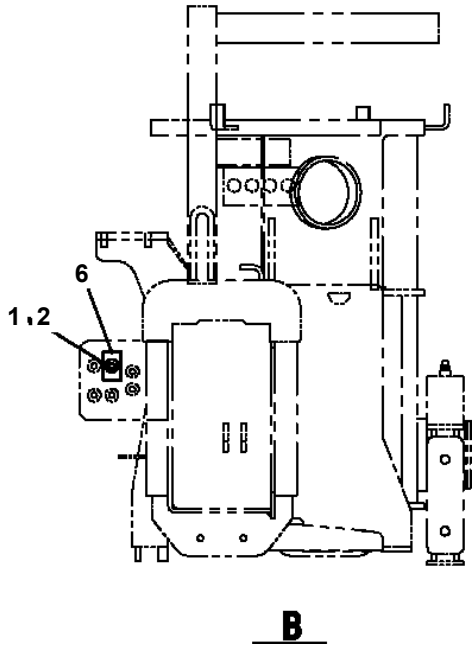
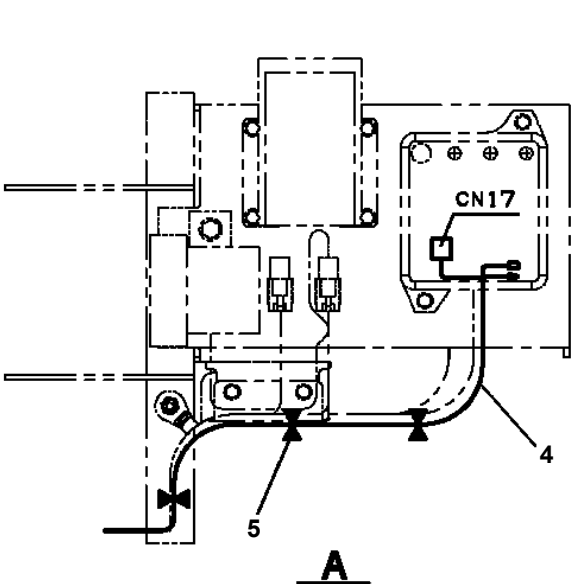
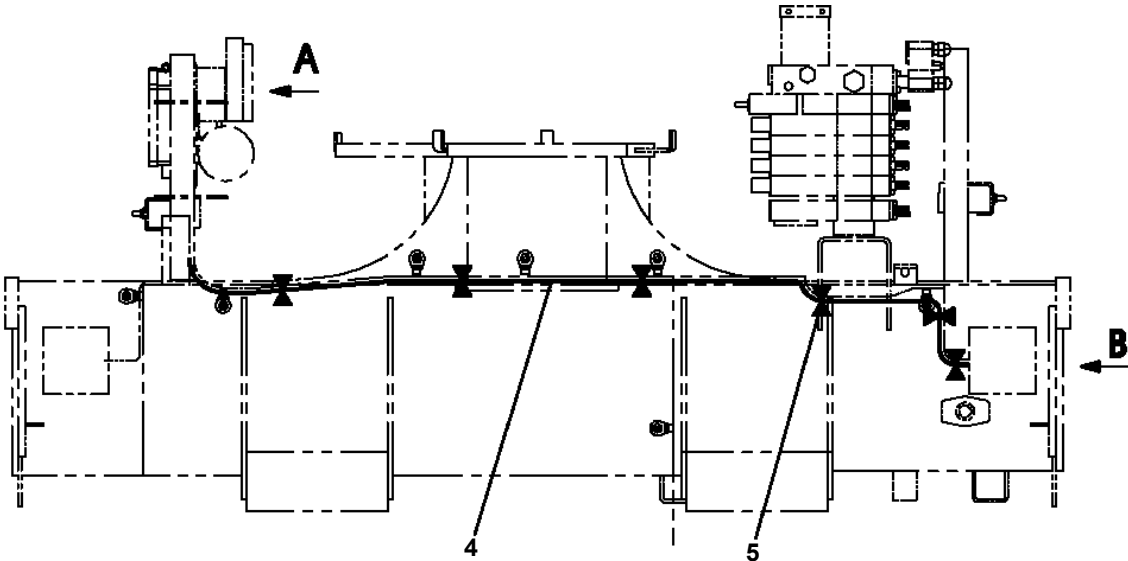


パーキングランプの上流にパーキングスイッチがある場合 (Eタイプ)

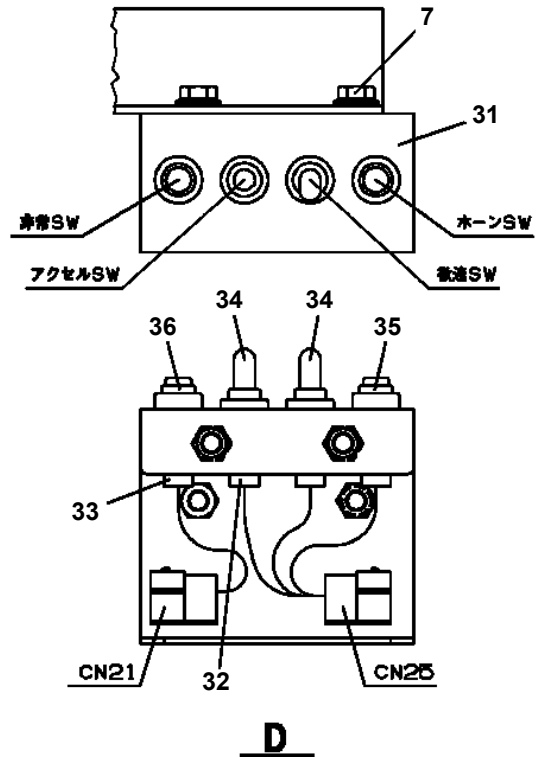
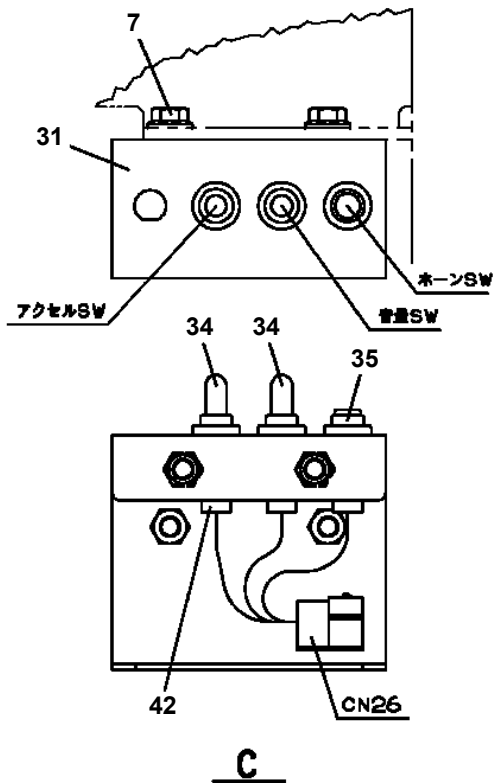
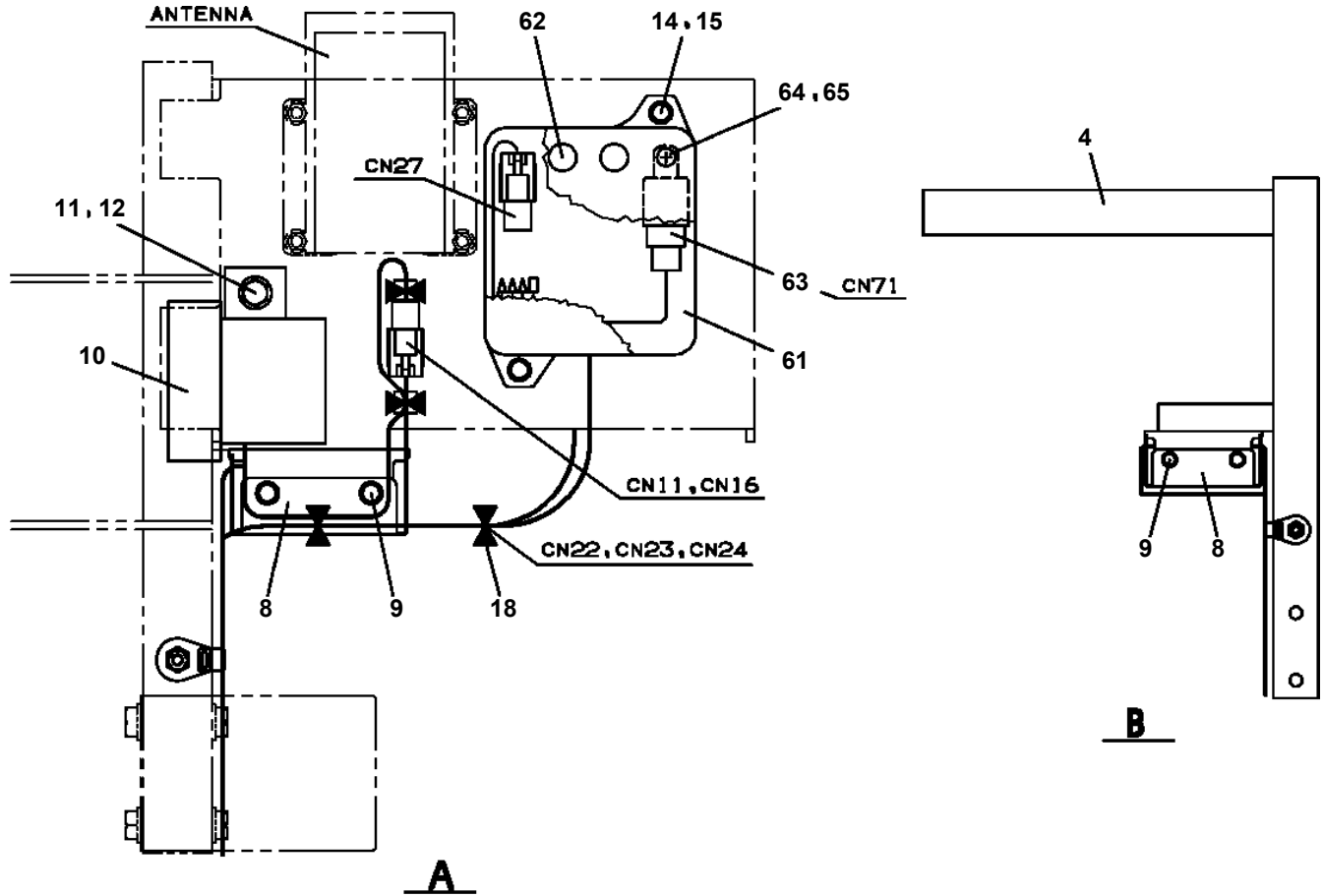


※ 表1参照
 REFER TO THE TABLE 1 BELOW

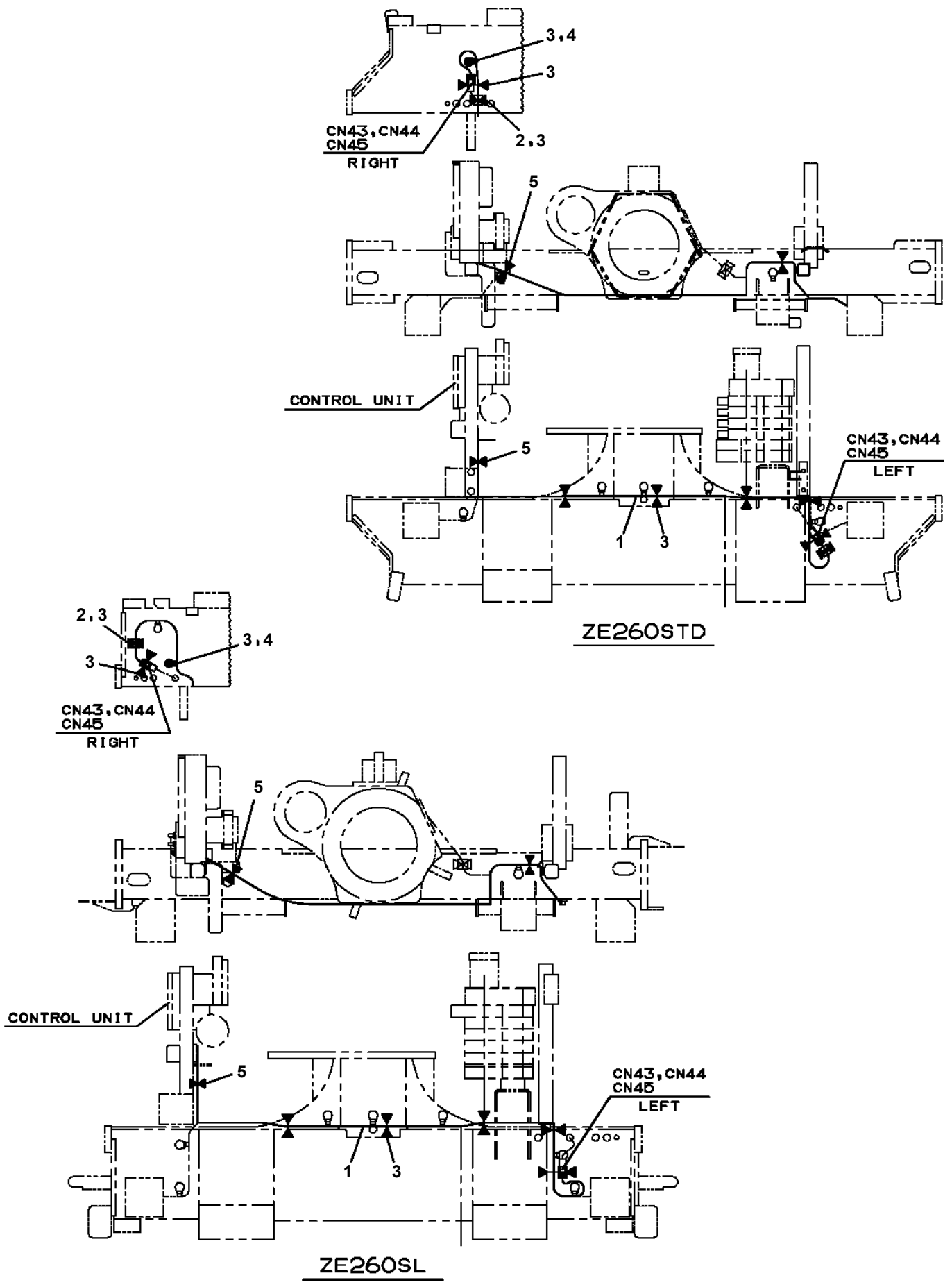
TM-ZE260 41008401234A FRAME/HOOK-IN,RADIO CONTROL
PN1014756-02 ELEC.ASSY (FRAME)



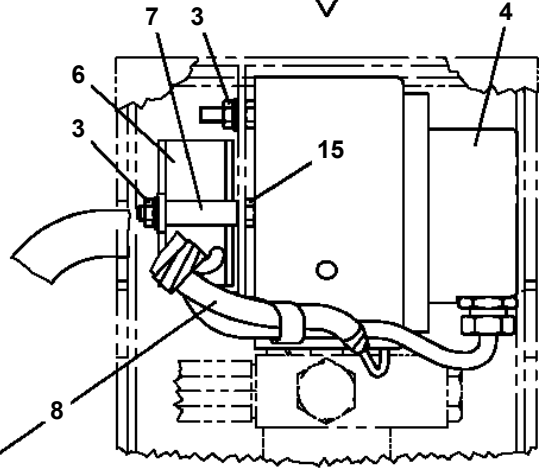
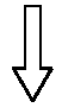
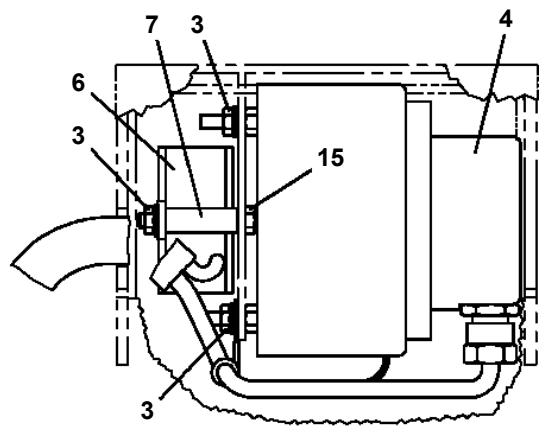
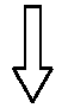
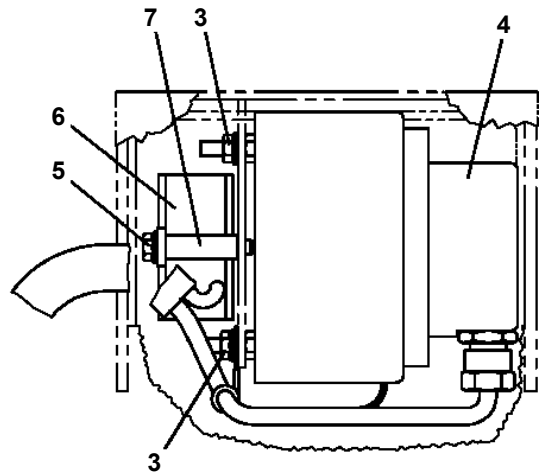
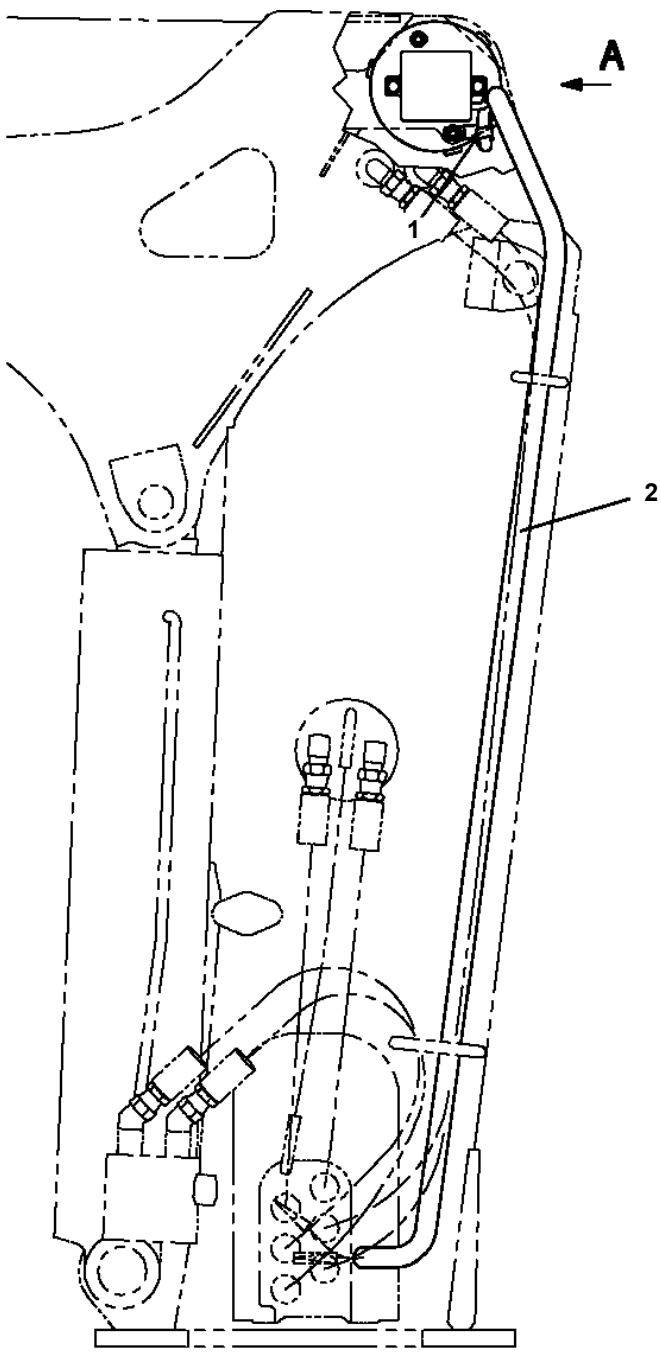
**TM-ZE260 41008401234A FRAME/HOOK-IN,RADIO CONTROL
PN1014887-00 ELEC.ASSY (SWITCH)**



**TM-ZE260 41008401234A FRAME/HOOK-IN,RADIO CONTROL
PN1014908-00 ELEC.ASSY (JACK INTERLOCK)**



**TM-ZE260 41008401234A FRAME/HOOK-IN,RADIO CONTROL
PN1014958-03 ELEC.ASSY (BOOM/DETECTOR ASSY)**

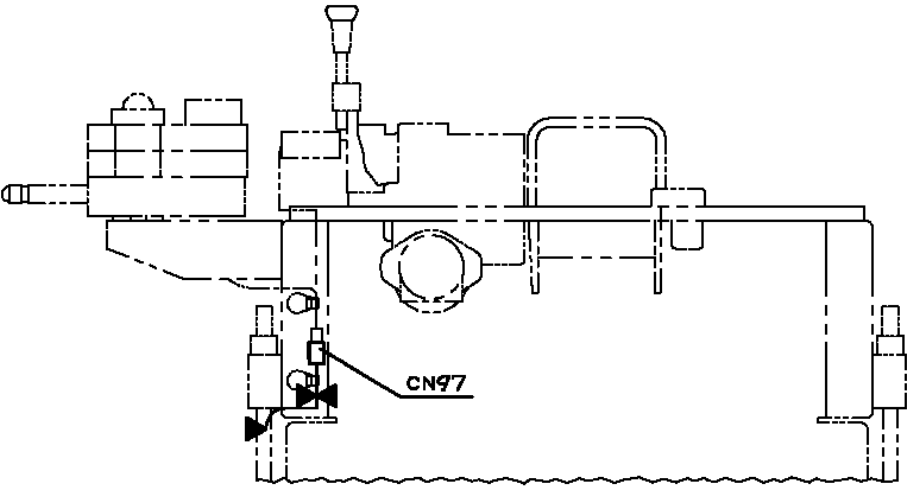
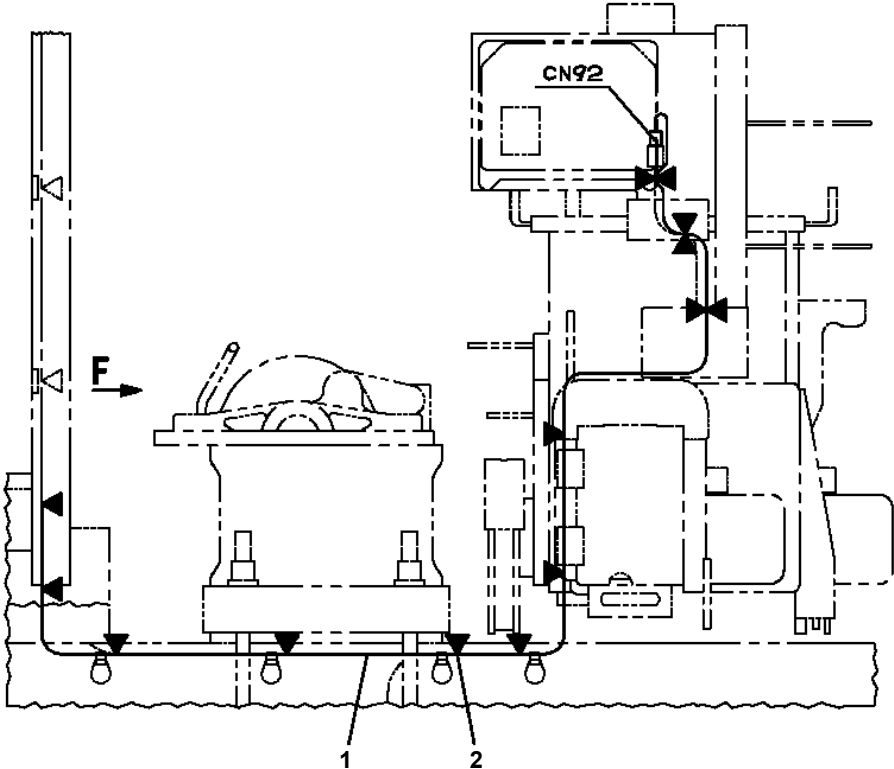


APPLICABLE SERIAL NO.
 実施号：#DJ5473~#DJ5476
 #DJ5504~#DJ5507
 #DJ6669~

A

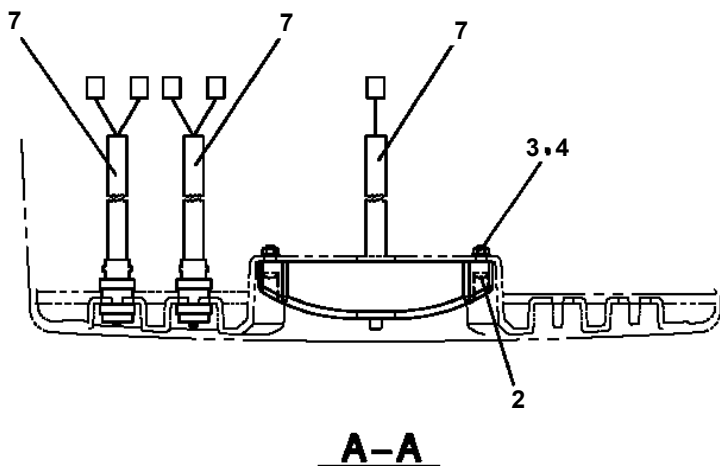
TM-ZE260 41008401234A FRAME/HOOK-IN,RADIO CONTROL
PN1014986-00 ELEC.ASSY (HARNESS:FOR CONNECTING MAIN HARNESS)

→ FRONT



F

TM-ZE260 41008401234A FRAME/HOOK-IN,RADIO CONTROL
 PN1080411-04 LAMP ASSY (PANEL LAMP)

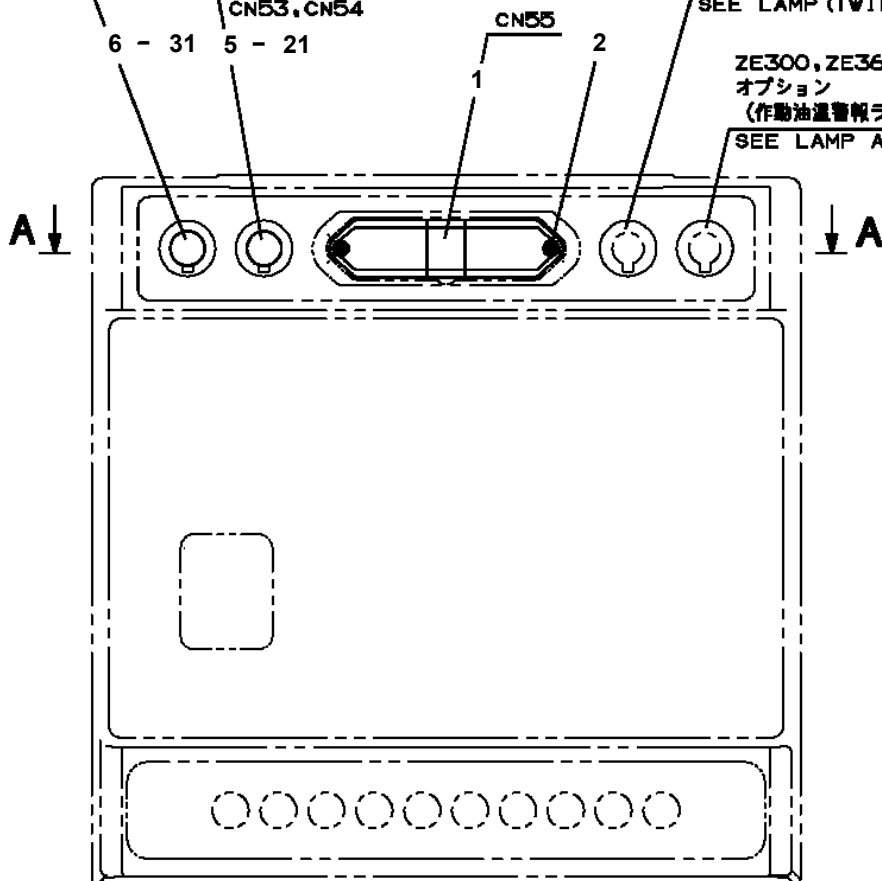


(最大引出)
 (MAXIMUM EXTENSION)
 CN51, CN52

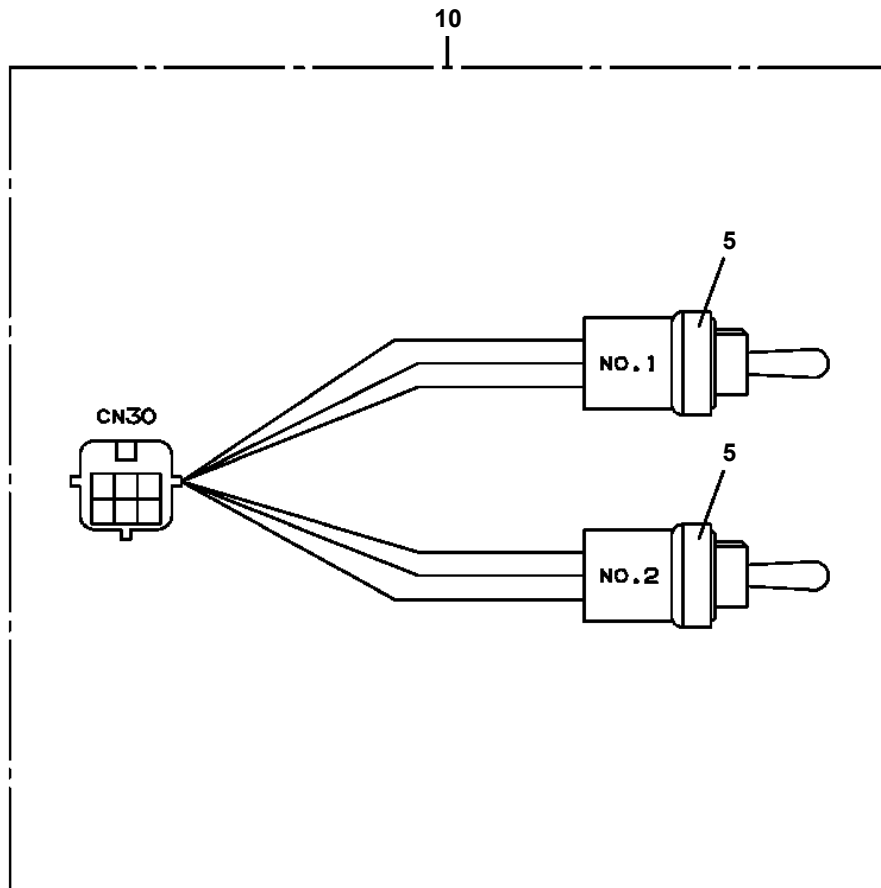
(最小引出)
 (MINIMUM EXTENSION)
 CN53, CN54

ZE260, ZE290
 ZE300, ZE360
 オプション
 (2進ポンプ表示ランプ) (CN35, CN36)
 SEE LAMP (TWIN PUMP INDICATOR)

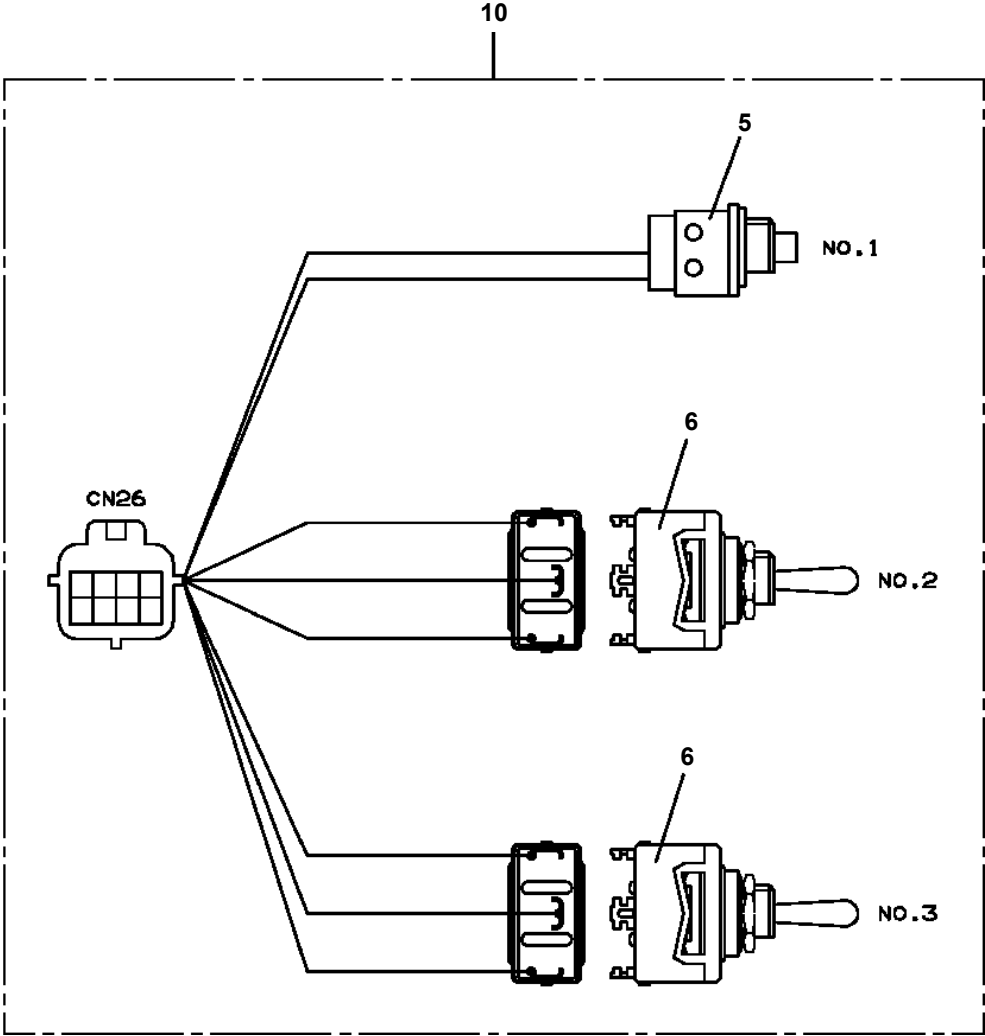
ZE300, ZE360
 オプション
 (作動油温警報ランプ)
 SEE LAMP ASSY (ALARM/RED)



TM-ZE260 41008401234A FRAME/HOOK-IN,RADIO CONTROL
PN1140160-00 SWITCH ASSY (PLATING:NACC)

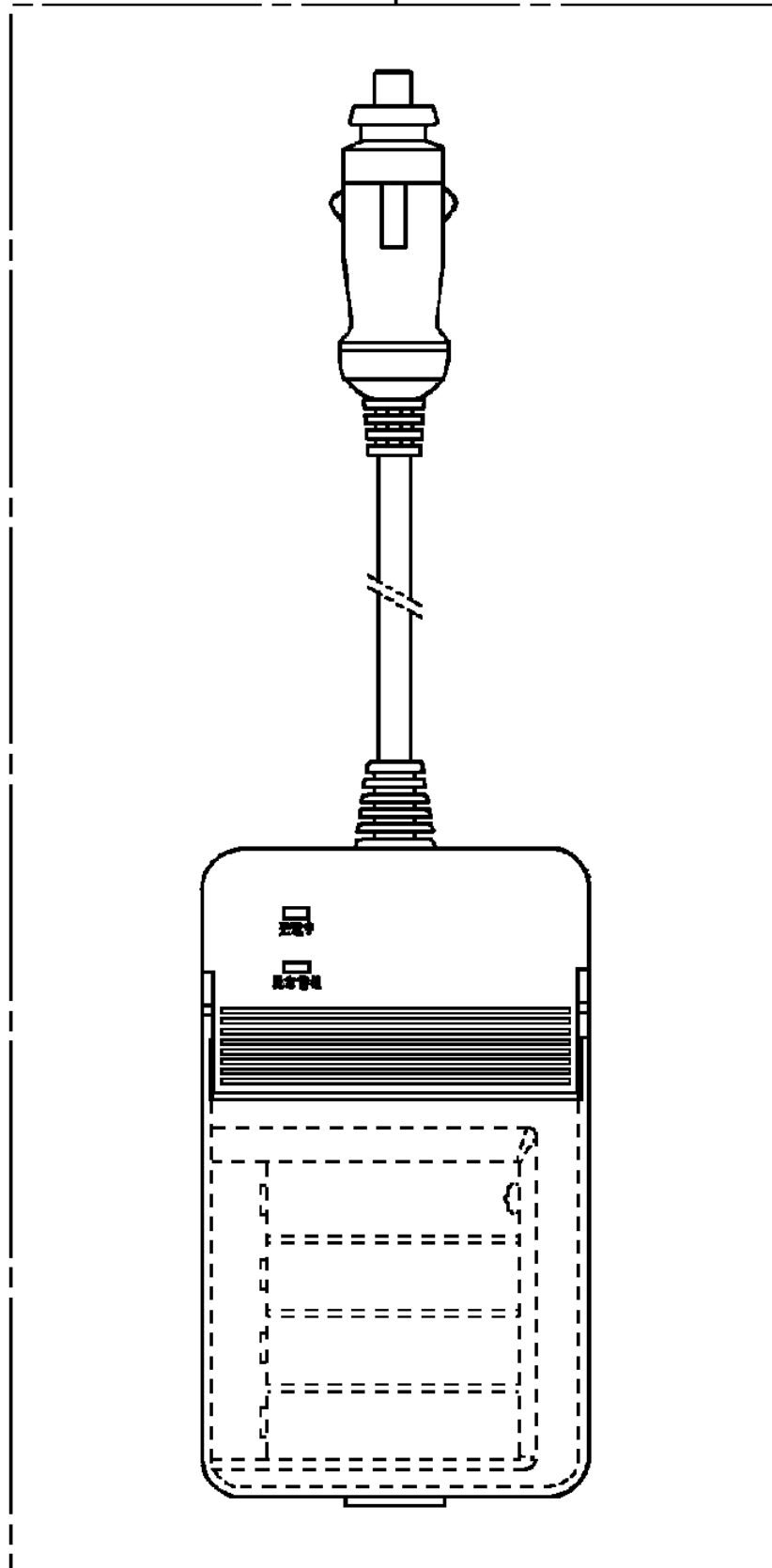


**TM-ZE260 41008401234A FRAME/HOOK-IN,RADIO CONTROL
PN1140208-01 SWITCH ASSY (WITH HARNESS/PANASONIC)**

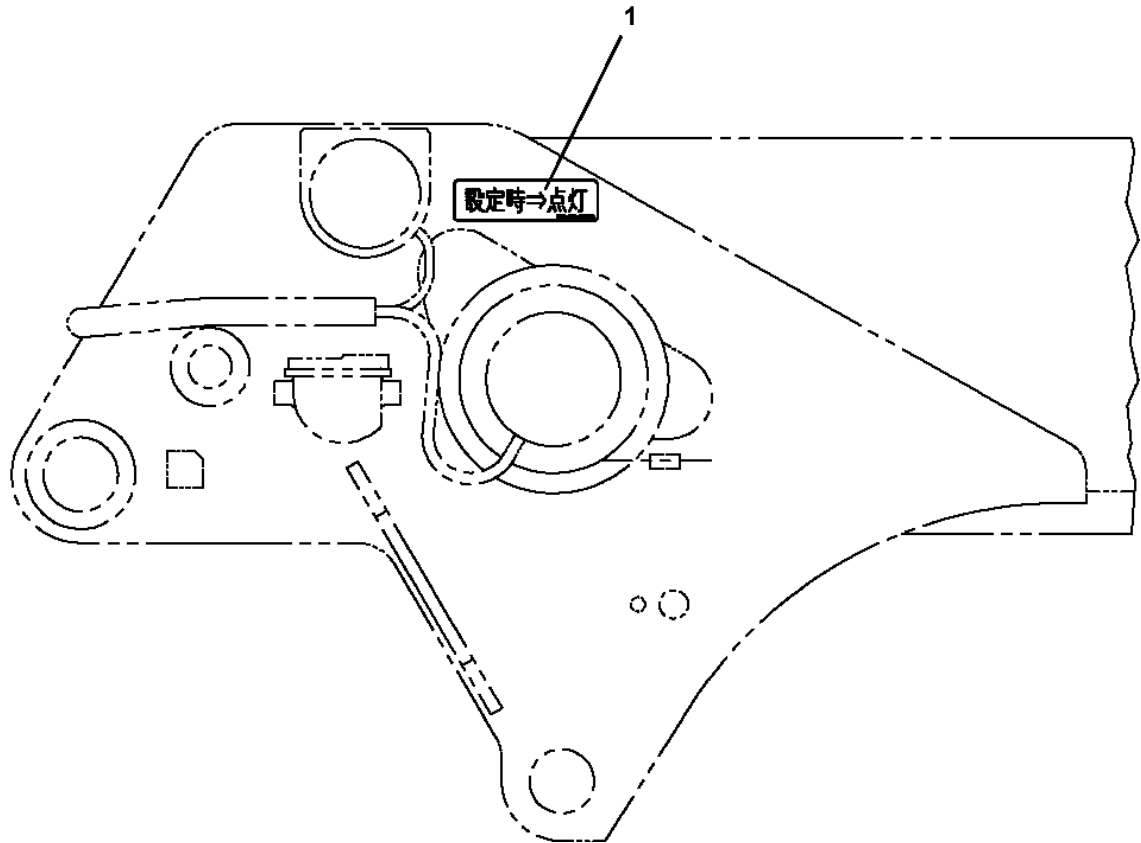


TM-ZE260 41008401234A FRAME/HOOK-IN,RADIO CONTROL
PN1420020-00 CHARGER,BATTERY

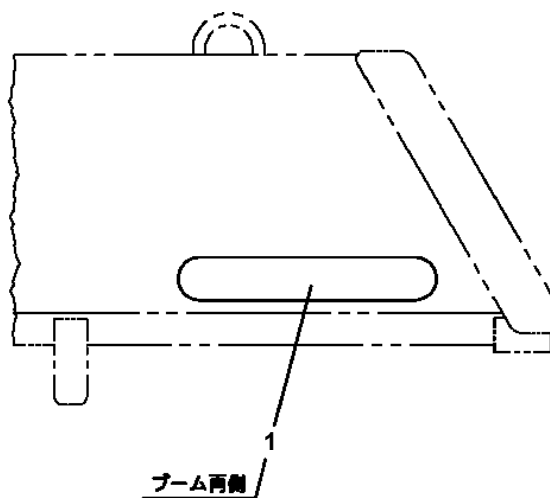
10



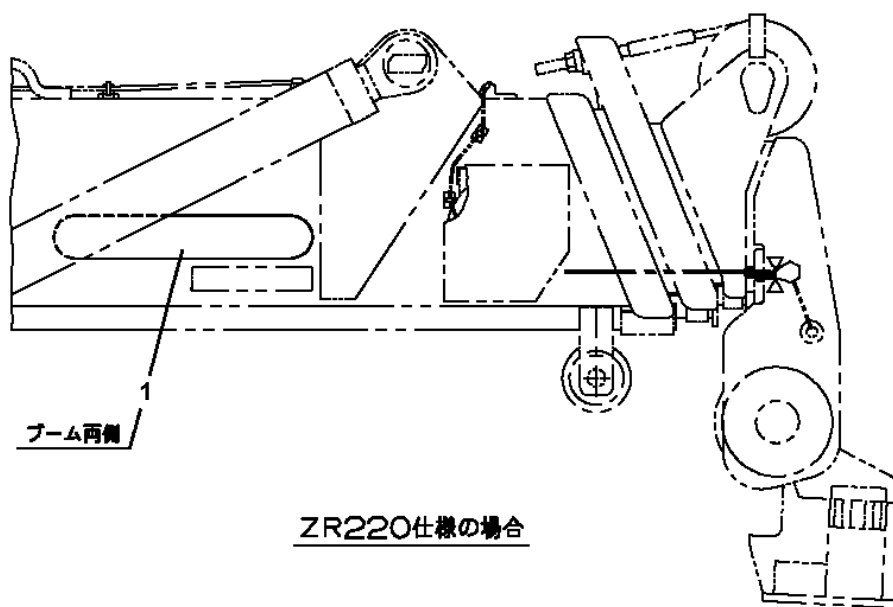
TM-ZE260 41008401234A FRAME/HOOK-IN,RADIO CONTROL
PN5010239-00 NAME PLATE ASSY



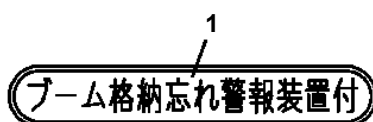
TM-ZE260 41008401234A FRAME/HOOK-IN,RADIO CONTROL
PO1014584-04 PLATE ASSY,NAME (BOOM,ELEV. STOWING FAILURE)



プレート、ネーム貼付位置は参考とする



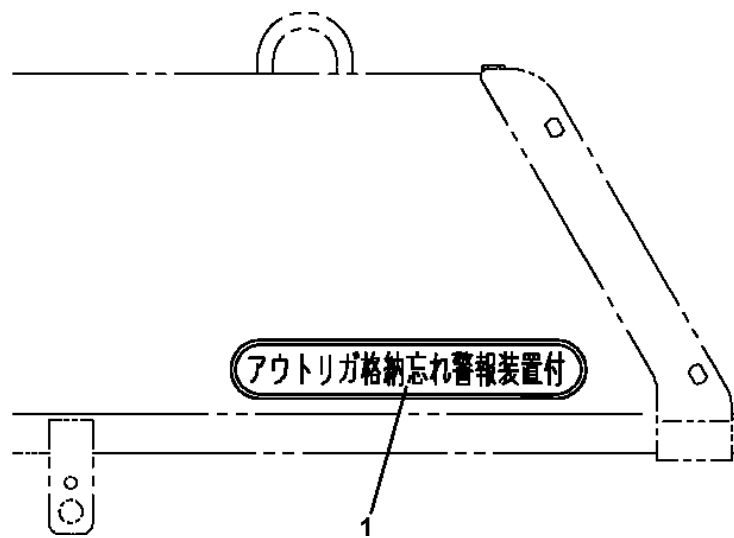
ZR220仕様の場合



ブーム段数参考

THE BOOM SECTIONS IN THE ILLUSTRATION ARE FOR REFERENCE.

TM-ZE260 41008401234A FRAME/HOOK-IN,RADIO CONTROL
PO1015087-01 PLATE ASSY,NAME



TM-ZE260 41008401234A FRAME/HOOK-IN,RADIO CONTROL

Pos No.	Parts No	Parts Name	Qty	Unit	Technical Data	Serial No (Start)	Serial No (End)	Remarks
1	31398320100	PLATE,CAUTION	2					
2	31398320200	PLATE,CAUTION	1					
3	31398320400	PLATE,CAUTION	1					
4	31393180100	REFLECTOR (RED)	2					
5	31611300500	PLATE,NAME (WHITE)	4					
6	37002213970	PLATE,NAME (MARKING)	2					
7	31398310100	PLATE,NAME	1					
8	31398310200	PLATE,NAME	1					

TM-ZE260 41008401234A FRAME/HOOK-IN,RADIO CONTROL

Pos No.	Parts No	Parts Name	Qty	Unit	Technical Data	Serial No (Start)	Serial No (End)	Remarks	Pag
1	37002228920	PLATE,NAME (2.63T)	2						

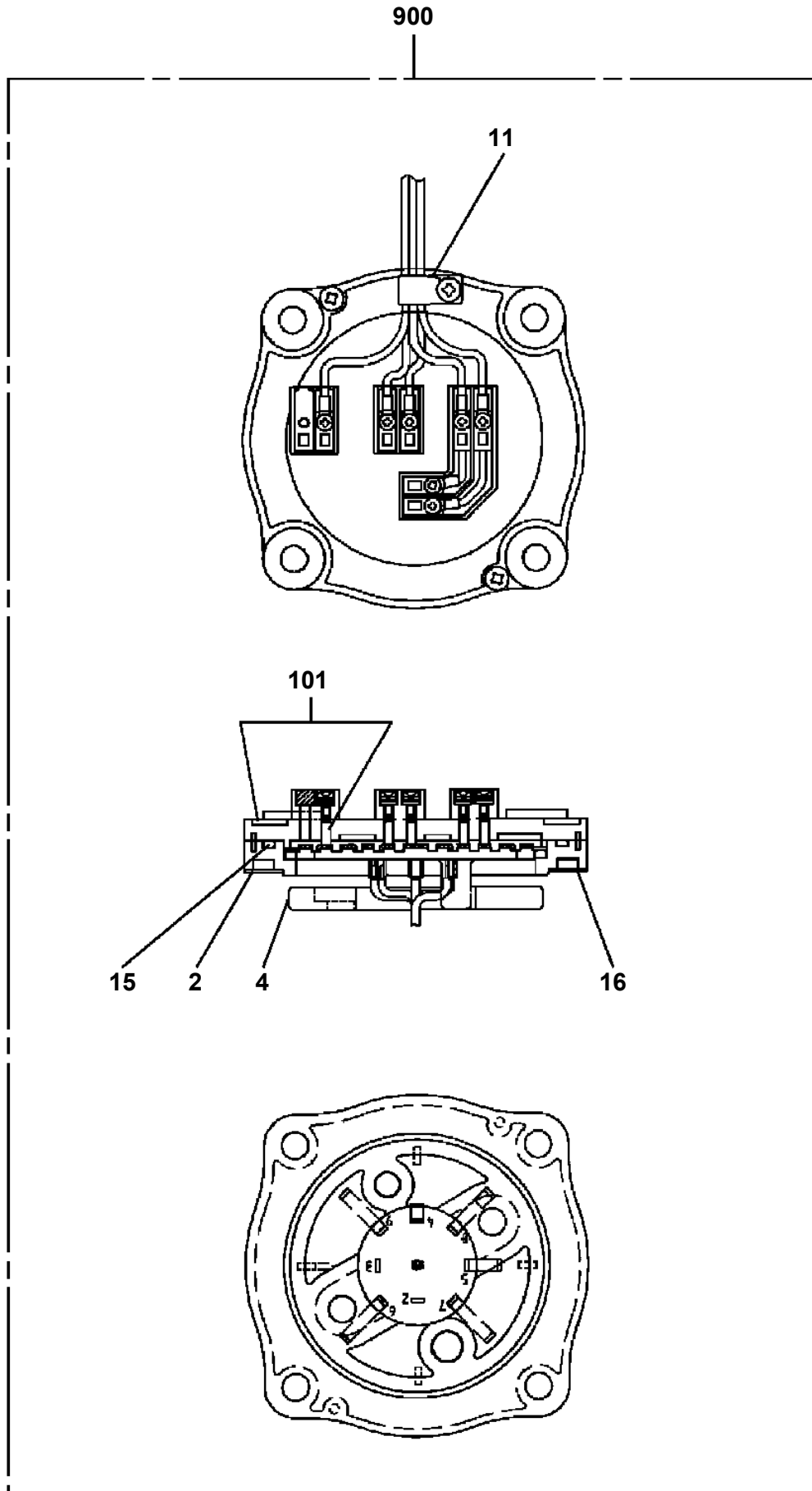
TM-ZE260 41008401234A FRAME/HOOK-IN,RADIO CONTROL

Pos No.	Parts No	Parts Name	Qty	Unit	Technical Data	Serial No (Start)	S
1	(*****)	ELEC.ASSY (FRAME)	1				
2	(*****)	ELEC.ASSY (FRAME SWITCH)	1				
3	(*****)	ELEC.ASSY (FRAME/RELAY BOX)	1				
4	(*****)	ELEC.ASSY (PLUG FOR O/R PRES.DETECTOR)	1				
5	(*****)	ELEC.ASSY (POST/DETECTOR ASSY,MOMENT)	1				
6	(*****)	ELEC.ASSY (POST/RELAY BOX)	1				
7	(*****)	ELEC.ASSY (BOOM/DETECTOR ASSY)	1				
9	(*****)	ELEC.ASSY (DETECTOR ASSY,LENGTH CORD)	1				
10	(*****)	ELEC.ASSY (LAMP)	1				
11	(*****)	LAMP ASSY (PANEL LAMP)	1				
12	(*****)	SUPPORT (PANEL)	1				
13	(*****)	NAME PLATE ASSY	1				
14	(*****)	NAME PLATE ASSY (BOOM & CONTROL UNIT PANEL)	1				

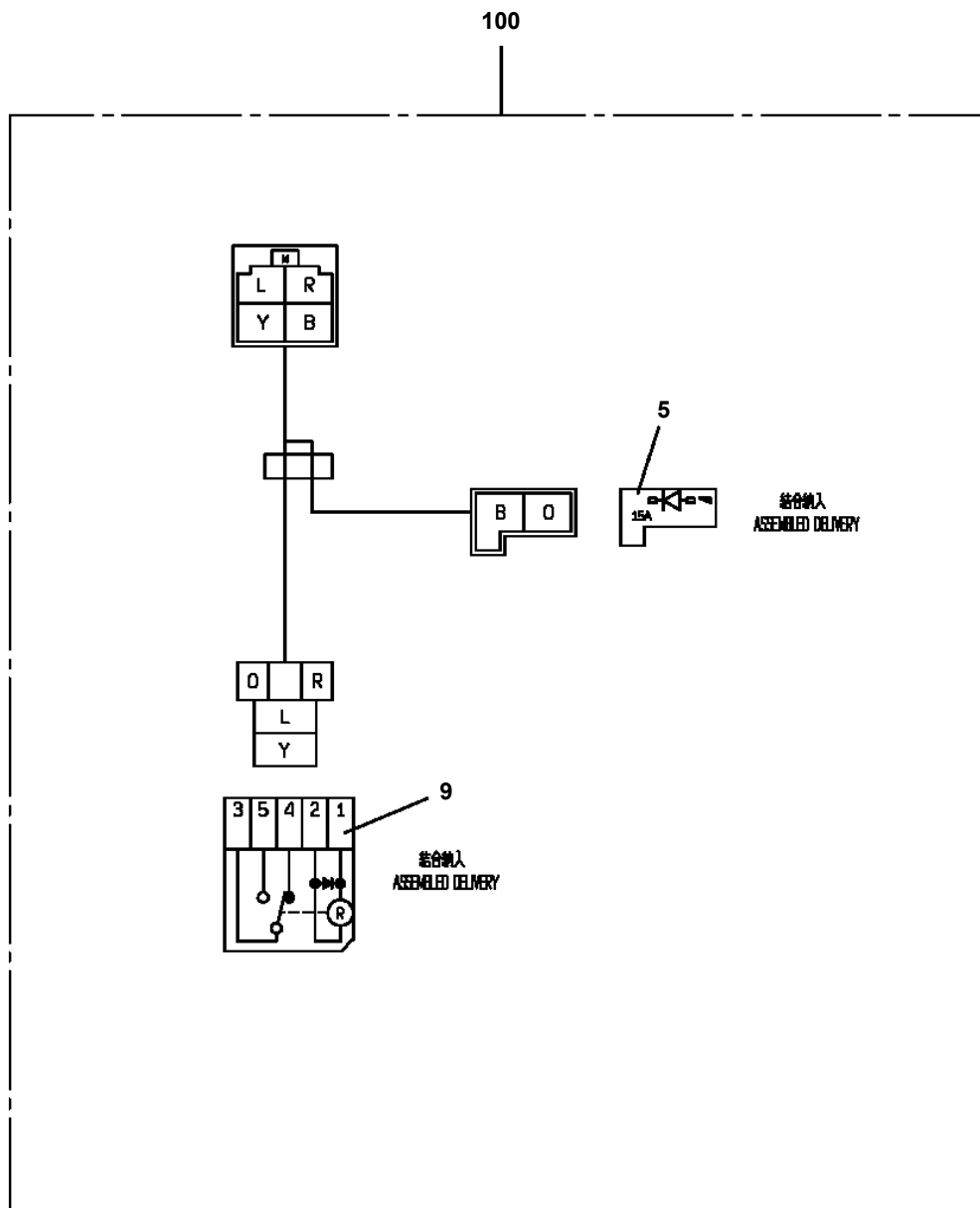
TM-ZE260 41008401234A FRAME/HOOK-IN,RADIO CONTROL

Pos No.	Parts No	Parts Name	Qty	Unit	Technical Data	Serial No (Start)	Serial No (End)
1	36806810000	BOX,OPERATION (10M CABLE)	1				
2	(*****)	ELEC.ASSY (ANTENNA UNIT)	1				
3	(*****)	NAME PLATE ASSY	1				
5	(*****)	PLATE ASSY,NAME (SWITCH,BOX)	1			LA3215	

TM-ZE260 41008401234A FRAME/HOOK-IN,RADIO CONTROL
PR5130002-00 RING ASSY,SLIP

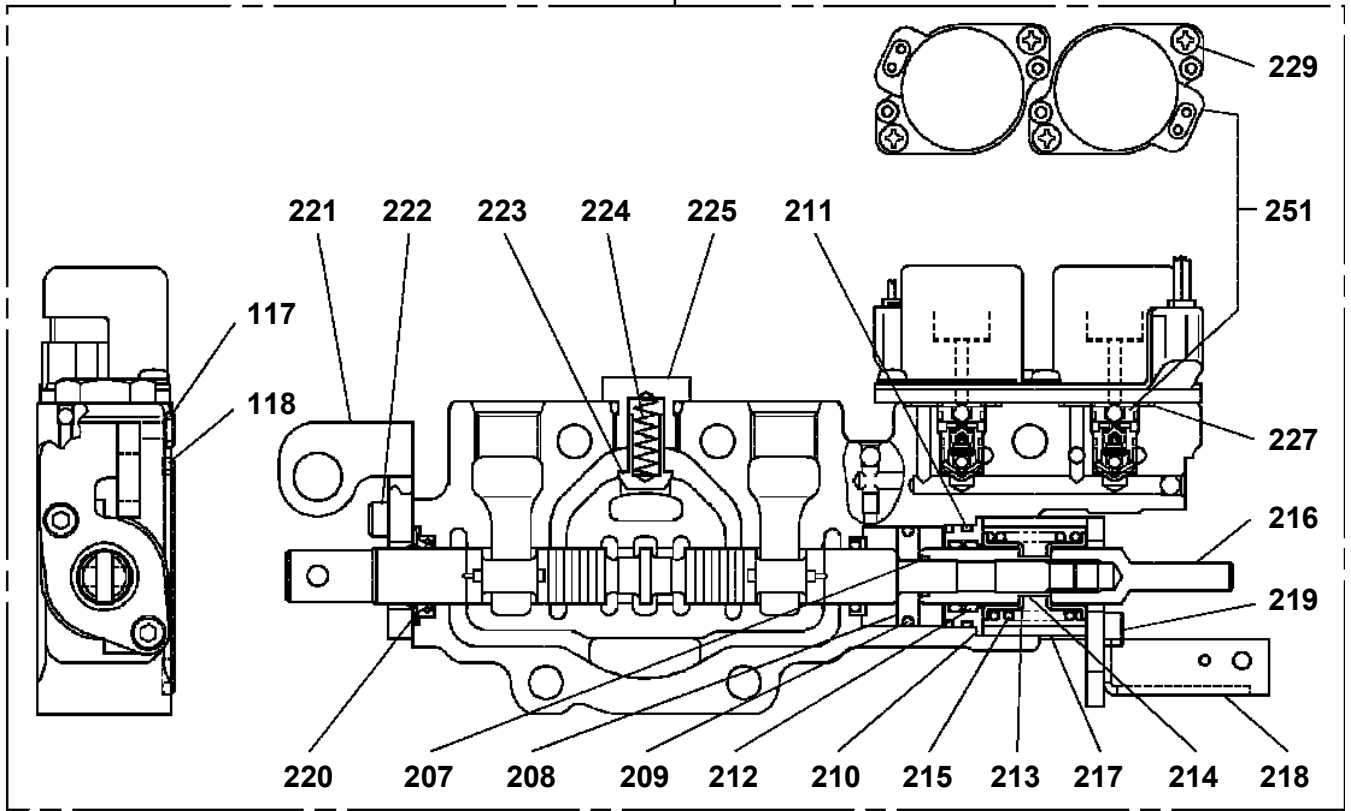


TM-ZE260 41008401234A FRAME/HOOK-IN,RADIO CONTROL
PR5210001-00 RELAY (WITH HARNESS)

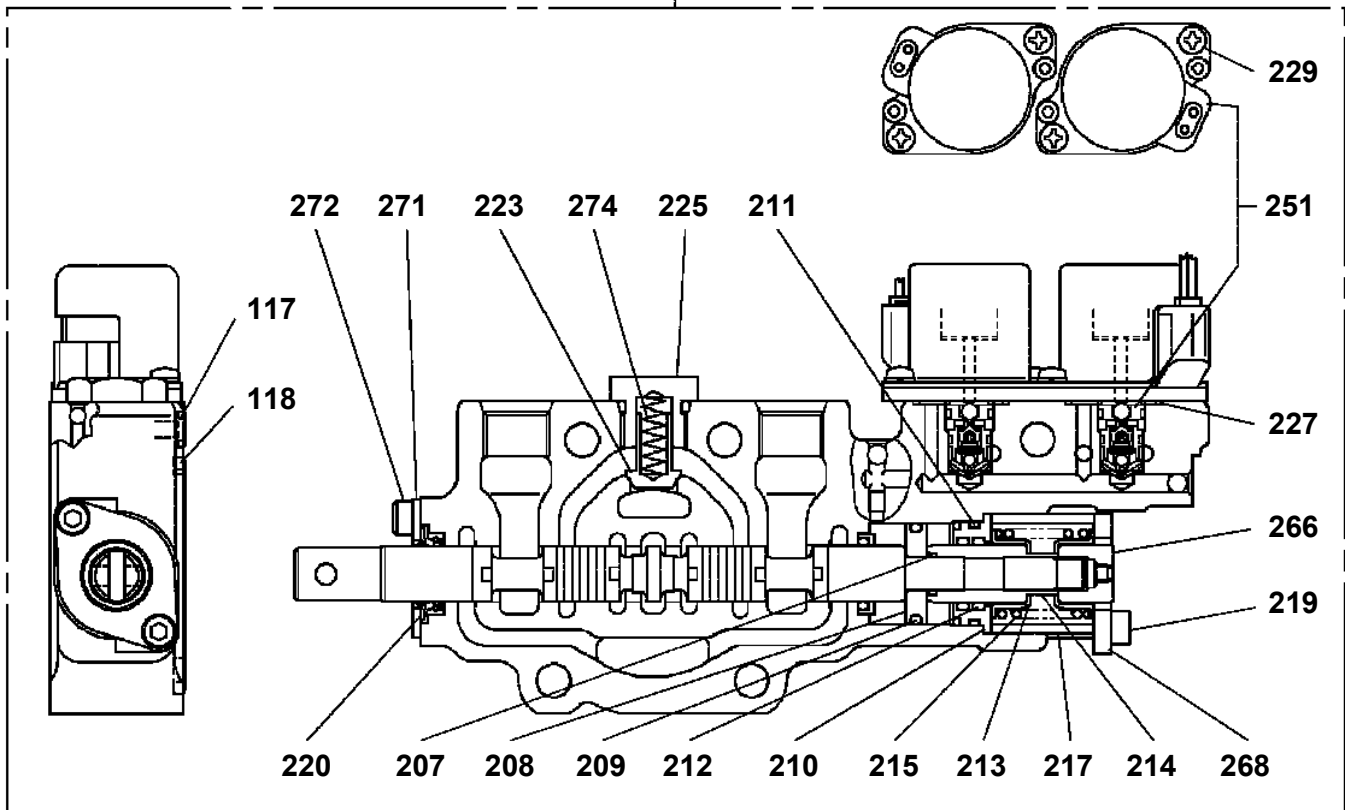


TM-ZE260 41008401234A FRAME/HOOK-IN,RADIO CONTROL
PV1020375-03 VALVE,REMOTE CONTROL

6

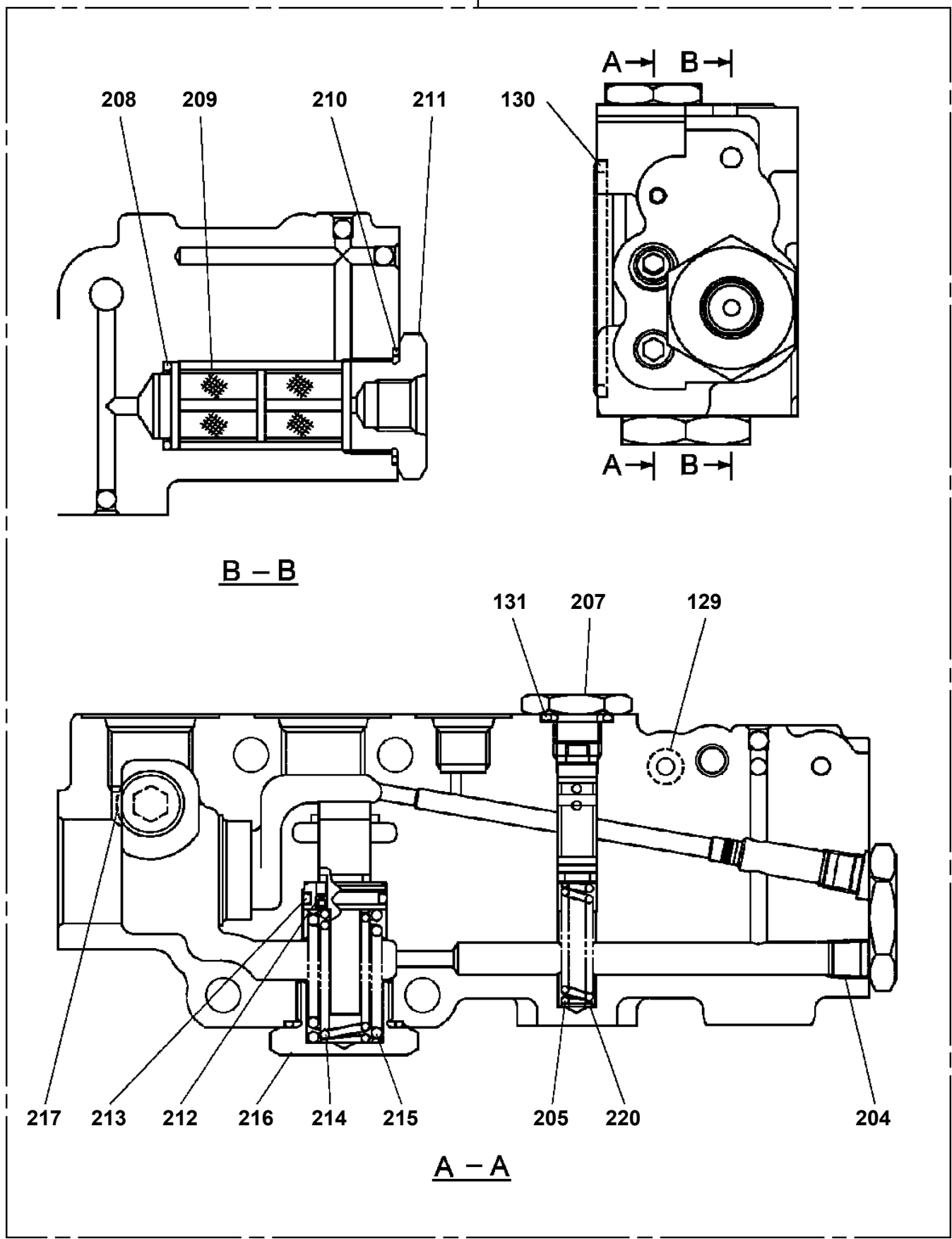


7



TM-ZE260 41008401234A FRAME/HOOK-IN,RADIO CONTROL
PV1020379-01 VALVE,REMOTE CONTROL

4



TM-ZE260 41008401234A FRAME/HOOK-IN,RADIO CONTROL

Pos No.	Parts No	Parts Name	Qty	Unit	Technical Data	Serial No (Start)	Serial No (End)	Remark
1	36062745010	BODY	1					
2	36062825010	ROD ASSY	1					
3	36062745030	SPRING (A)	1					
4	36062745040	SPRING (B)	1					
5	36062745050	COVER (SEAL)	1					
6	80602110380	RING,RITAINING	1		R38			
7	36648375020	BALL,STEEL	9		3/16			
8	36648375030	BALL,STEEL	5		5/32			
9	91001101400	O-RING	2		1A P14			
10	91001102800	O-RING	1		1A P28			
11	91001003200	O-RING	1		1A S32			
12	91001003150	O-RING	1		1A S31.5			
13	91001002200	O-RING	2		S22			
14	91650001400	SCRAPER	2					
15	36062445011	LVDT ASSY (A/WITH CORE,)	1					
16	36644015220	SHIM (T=0.2)	2					
17	36644015230	SHIM (T=0.3)	2					
18	36062745060	FLANGE	1					
19	80172105008	SCREW,MACHINE	2		M5X8			
21	36062635050	TUBE,CORRUGATE	1		10			
22	80172104010	SCREW,MACHINE	5		M4X10			
25	36081315130	PROTECTOR (THREAD)	2					
27	36645405100	BOLT	2		M4X22			
28	36062635030	FASTENER	1					
29	90303070401	WASHER,PLAIN	1		4			
30	36645405110	SHIM (T=1.0)	1					
31	36062745080	VALVE,SOLENOID	1				LA4428	
	36062745090	VALVE ASSY,SOLENOID	1			LA4429		
100	36062820000	CYLINDER,ACCELERATOR	1					

TM-ZE260 41008401234A FRAME/HOOK-IN,RADIO CONTROL

Pos No.	Parts No	Parts Name	Qty	Unit	Technical Data	Serial No (Start)	Serial No (End)	Remarks	Pages
1	36800174100	BOX	1						
2	80182306016	SCREW,MACHINE	4		M6X16				
3	36800174300	PLATE,CAUTION	1				LB6100		
4	36803244100	PLATE,NAME	1			LB6101			
5	37002243770	PLATE,NAME	1			LB6101			
31	36800175090	COVER (UPPER)	1						

TM-ZE260 41008401234A FRAME/HOOK-IN,RADIO CONTROL

Pos No.	Parts No	Parts Name	Qty	Unit	Technical Data	Serial No (Start)	Serial No (End)	Remarks
7	91001000800	O-RING	1		S8			
8	36646865190	PISTON	1					
9	91001102000	O-RING	1		1A P20			
10	36648365110	FLANGE	1					
11	91001002240	O-RING	1		S22.4			
12	91650001400	SCRAPER	1					
13	36645495210	SEAT,SPRING (RETURN)	2					
14	36646865200	SPOOL (SUB)	1					
15	36645845060	SPRING (RETURN)	1					
16	36633365070	ADAPTER	1					
17	36646865210	SPACER	1					
18	36640625550	PLATE (D)	1					
19	36645615250	C-BOLT	2		M5X25			
20	36633365100	SEAL,OIL	1					
21	36645615240	LINK	1					
22	36645615230	C-BOLT	2		5X12			
23	12635101360	SPOOL	1					
24	12635101190	SPRING	1					
25	36633365090	CAP (CHECK VALVE)	1					
27	91001002200	O-RING	2		S22			
29	36740745140	SCREW,MACHINE	4		M4X12			
30	91001100600	O-RING	5		1A P6			
31	91002905500	O-RING	1		1B G55			
51	36740855030	VALVE,SOLENOID (KIT)	2					
100	36742960031	VALVE,CONTROL	1					

TM-ZE260 41008401234A FRAME/HOOK-IN,RADIO CONTROL
 PY1001469-08 OPTIONS (TM COMMON)

指示番号 KEY NO.	部品名称 PART NAME	備考 REMARK
18	アラーム システム (キフクカクノウスレイホウ: ブームインターロックナシ) ALARM SYSTEM (BOOM STOWING FAILURE: WITHOUT BOOM INTERLOCK)	起伏格納忘れ警報装置
19	アラーム システム (キフクカクノウスレイホウ: ブームインターロックシキ) ALARM SYSTEM (BOOM STOWING FAILURE: WITH BOOM INTERLOCK)	起伏格納忘れ警報装置
20	アラーム システム (キフク,アウトリカ [*] カクノウスレ: ブームインターロックナシ) ALARM SYSTEM (BOOM,OUTRIGGER STOWING FAILURE:WITHOUT BOOM INTERLOCK)	起伏・アウトリカ格納忘れ警報装置
21	アラーム システム (キフク,アウトリカ [*] カクノウスレイホウ: ブームインターロックツキ) ALARM SYSTEM (BOOM,OUTRIGGER STOWING FAILURE:WITHOUT BOOM INTERLOCK)	起伏・アウトリカ格納忘れ警報装置
22	ハイセンASSY (サキ [*] ヨウトウ:2トウトリツケヨウ) ELEC.ASSY (WARKING LAMP: 2-LIGHT INSTALLATION)	作業灯2灯取付用配線
23	ハイセンASSY (カクノウスレイホウ: ケイホウタイミンク [*] ヘンコウ/JFEシヨウ) ELEC.ASSY	格納忘れ警報 警報タイミング変更 (JFE仕様)
24	ハイセンASSY (カクノウスレイホウソウチトリツケ) ELEC.ASSY	格納忘れ警報装置取付用配線 (パーキング・PTO 12V信号車用)
27	チャージ [*] ヤ,ハ [*] ツテリ CHARGER,BATTERY	充電器 (ニッケル水素電池8個合)
28	ラジ [*] オ コントロール (キノウシヤラジ [*] コン:U-ハイレツ/ ブームインターロックナシ) RADIO CONTROL (U-LAYOUT/ WITHOUT BOOM INTERLOCK)	既納車ラジコン (U社配列、ブームインターロック付用)
29	ラジ [*] オ コントロール (キノウシヤラジ [*] コン:U-ハイレツ/ ブームインターロックシキ) RADIO CONTROL (U-LAYOUT/WITH BOOM INTERLOCK)	既納車ラジコン (ブームインターロック付用)
30	サホ [*] ート (シキイタイレ,タイヨウケンキレンタル/ ヒノコカ [*] タシヤヒノナイサクホ [*] テ [*] -ヨウ) SUPPORT	敷板入れ、太陽建機レンタル向 日野小型車の日野内作ポデー用
31	カイゾ [*] ウASSY (シキイタイレ,タ [*] ツラクホ [*] ウシソウチツキ) MODIFICATION ASSY	敷板入れ、塵落防止装置付き レンタル向 (太陽建機レンタルを除く)
32	サホ [*] ート (シキイタイレ) SUPPORT	敷板入れ、太陽建機レンタル向 日野小型車の東洋ポデー製ポデー及び日野中型車用

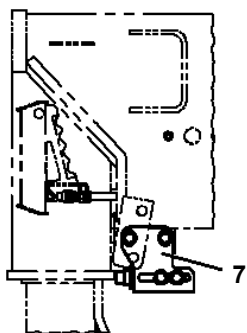
適用製造番号によっては取り付けがないものもあります。

MACHINES OF SOME SERIAL NO. ARE NOT EQUIPPED WITH THESE PARTS.

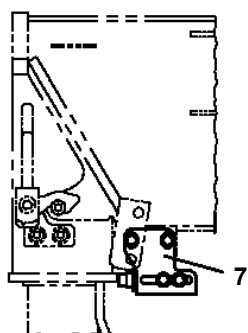
TM-ZE260 41008401234A FRAME/HOOK-IN,RADIO CONTROL

Pos No.	Parts No	Parts Name	Qty	Unit	Technical Data	Serial No (Start)
2	(*****)	ELEC.ASSY (B00M ELEVATING/FRAME)	1			
3	(*****)	ELEC.ASSY (PLUG:POST/BOOM ELEV.STOWING)	1			
4	(*****)	ELEC.ASSY (CARRIER/ALARM)	1			
	(*****)	ELEC.ASSY (CARRIER)	1			LA6744
6	(*****)	PLATE ASSY,NAME (BOOM,ELEV. STOWING FAILURE)	1			
7	(*****)	ELEC.ASSY (FRAME BRANCH WIRING ADDED)	1			LA1591
8	(*****)	ELEC.ASSY (HARNESS)	1			LA6744

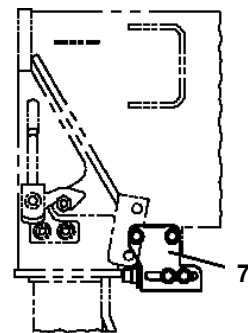
**TM-ZE260 41008401234A FRAME/HOOK-IN,RADIO CONTROL
PY5170036-01 ALARM ASSY (OUTRIGGER)**



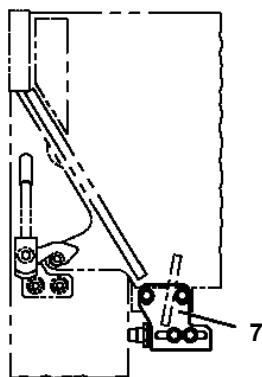
(290STD)



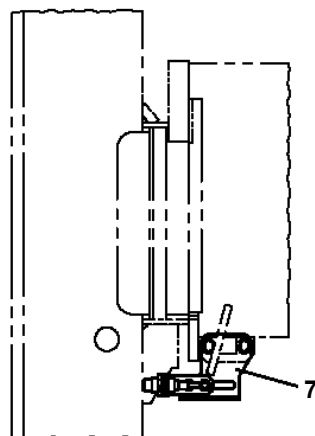
(260STD)



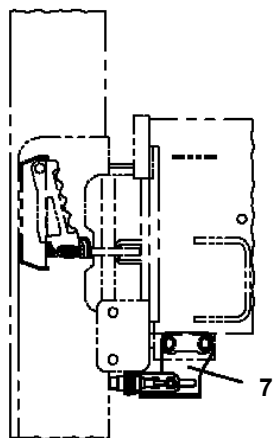
(250STD)



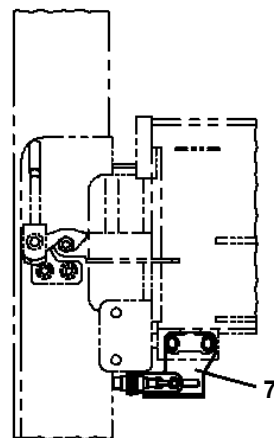
(500STD)



(500SL)

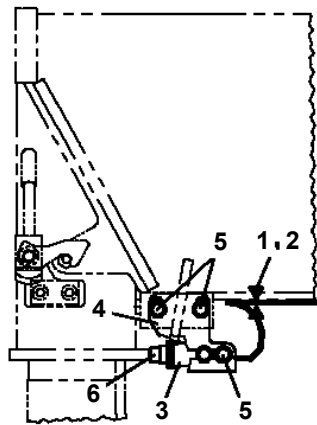
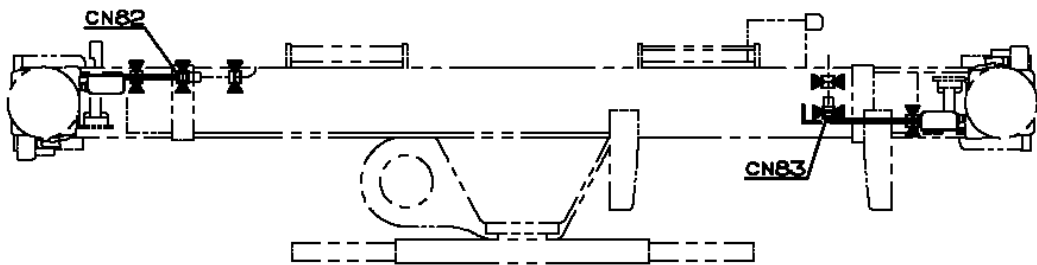
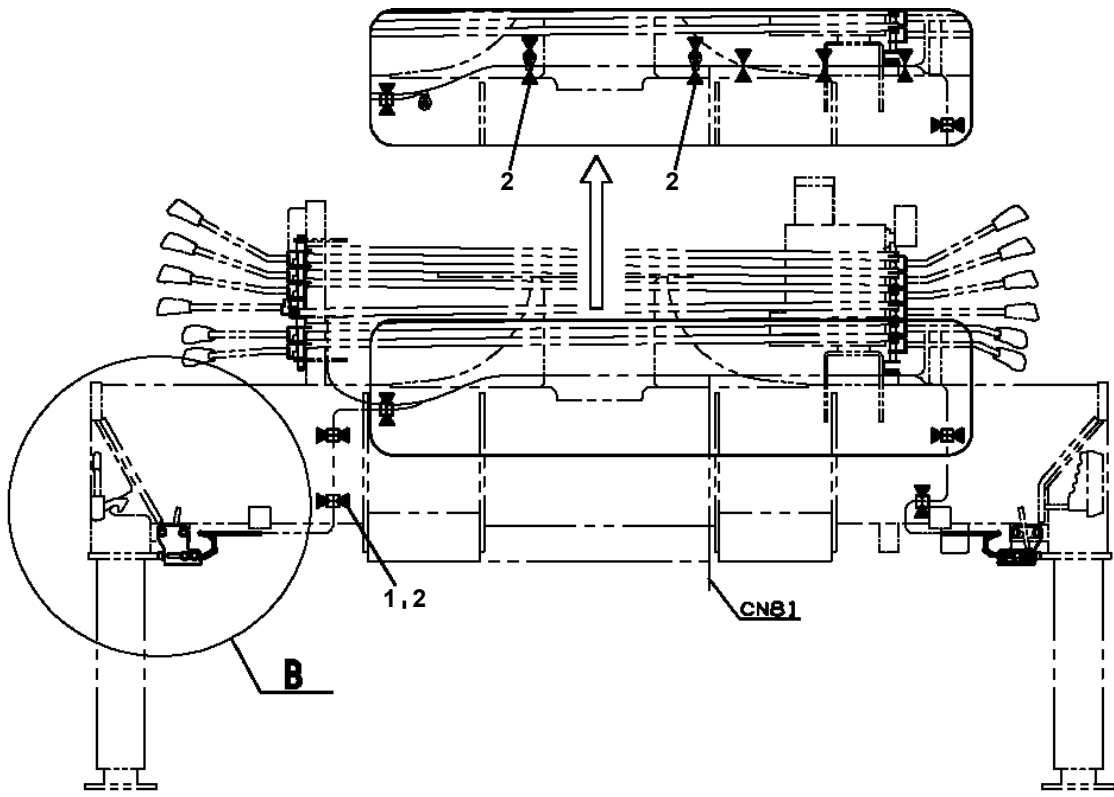


(290SL)

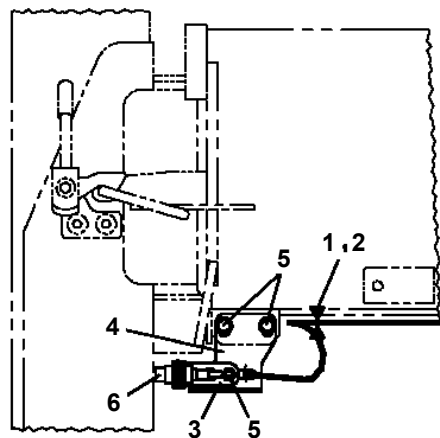


(260SL)

TM-ZE260 41008401234A FRAME/HOOK-IN,RADIO CONTROL
 PY5170057-02 ALARM ASSY (OUTRIGGER)



(STD機の場合)
 (STD TYPE)



(SL機の場合)
 (SL TYPE)

B

CLICK HERE TO **DOWNLOAD** THE COMPLETE MANUAL

- Thank you very much for reading the preview of the manual.
- You can download the complete manual from: www.heydownloads.com by clicking the link below



- Please note: If there is no response to CLICKING the link, please download this PDF first and then click on it.

CLICK HERE TO **DOWNLOAD** THE COMPLETE MANUAL