

# **TM-Z260 41101110040A FRAME/SL,REMOTE-RADIO CONT.**

**PB1000168-02 HYDRAULIC PRESSURE GENERATING SYSTEM**

**PC1000122-01 OUTRIGGER SYSTEM**

**PD1000157-00 SWING SYSTEM**

**PE1000154-00 ELEVATING SYSTEM**

**PF1000146-01 WINCH SYSTEM**

**PI1000168-02 HYDRAULIC DEVICES**

**PK1000162-00 FRAME**

**PL1000159-01 CONTROL DEVICES**

**PN1000042-00 ELECTRIC EQUIPMENT**

**PO1000122-01 INDICATION PLATES**

**PV1000012-01 REMOTE CONTROL SYSTEM**

**PW1000040-01 ACCESSORIES & TOOLS**

**PY1000373-00 OPTIONS**

**PY1000885-00 OPTIONS (REAR OUTRIGGER S-TEC)  
ASSEMBLY**

CLICK HERE TO **DOWNLOAD** THE COMPLETE MANUAL

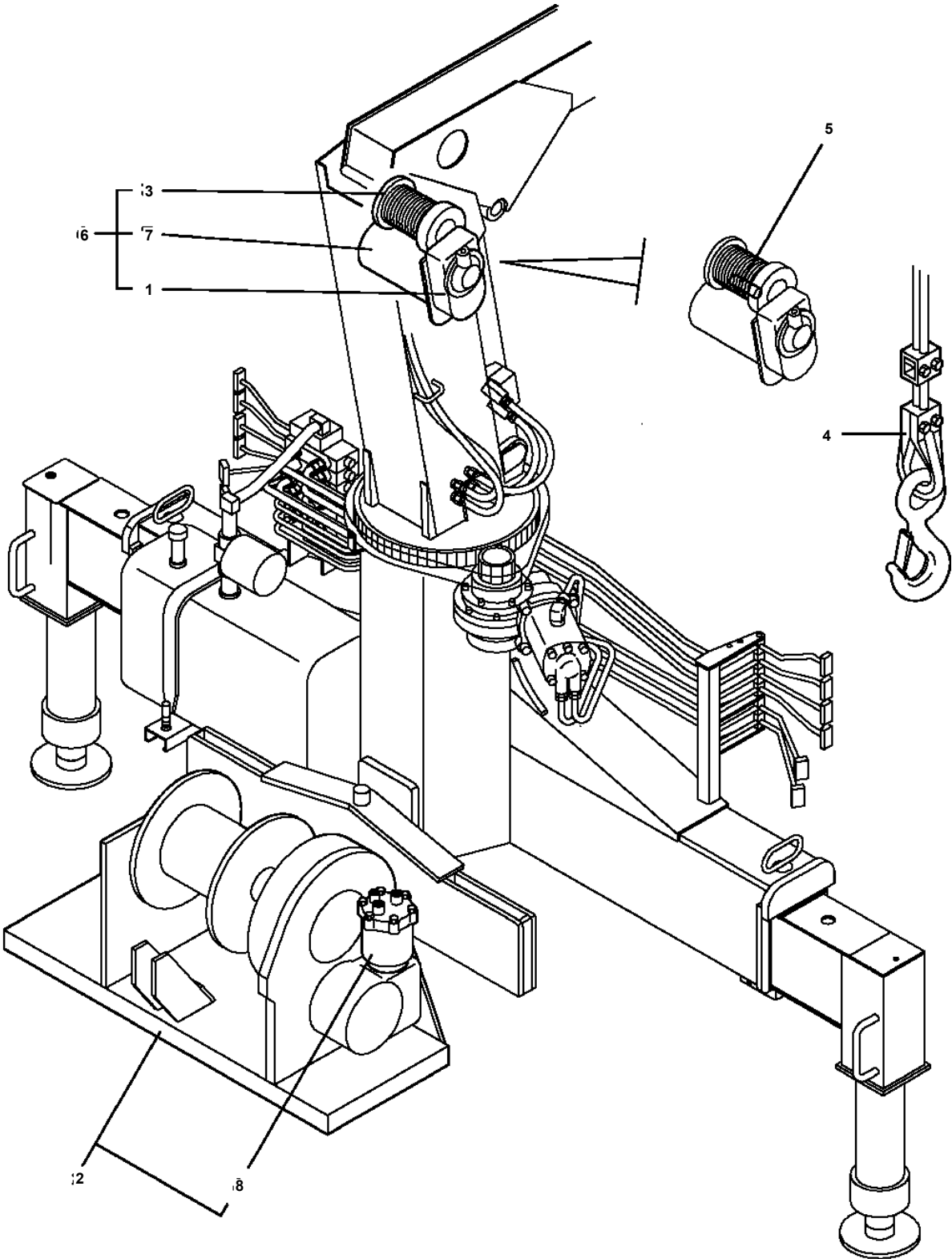
- Thank you very much for reading the preview of the manual.
- You can download the complete manual from: [www.heydownloads.com](http://www.heydownloads.com) by clicking the link below



- Please note: If there is no response to CLICKING the link, please download this PDF first and then click on it.

CLICK HERE TO **DOWNLOAD** THE COMPLETE MANUAL

TM-Z260 41101110040A FRAME/SL,REMOTE-RADIO CONT.  
PF1000146-01 WINCH SYSTEM



TM-Z260 41101110040A FRAME/SL,REMOTE-RADIO CONT.  
PO1000122-01 INDICATION PLATES

メイバン  
INDICATION PLATES

【組立名称一覧】より選択してください。  
SEE THE CORRESPONDING "ASSEMBLY NAME" LIST.

## TM-Z260 41101110040A FRAME/SL,REMOTE-RADIO CONT.

PB1030003-00 POWER TAKE OFF  
PB1030004-00 POWER TAKE OFF  
PB1030004-00 POWER TAKE OFF  
PB1030005-01 POWER TAKE OFF  
PB1030010-00 POWER TAKE OFF  
PB1030011-01 POWER TAKE OFF  
PB1030012-02 POWER TAKE OFF  
PB1030013-02 POWER TAKE OFF  
PB1030015-03 POWER TAKE OFF  
PB1030020-00 POWER TAKE OFF  
PB1030024-01 POWER TAKE OFF  
PB1030025-01 POWER TAKE OFF  
PB1030026-01 POWER TAKE OFF  
PB1030027-01 POWER TAKE OFF  
PB1030028-00 POWER TAKE OFF  
PB1030029-01 POWER TAKE OFF  
PB1030030-00 POWER TAKE OFF  
PB1030031-00 POWER TAKE OFF  
PB1030035-01 POWER TAKE OFF  
PB1030037-01 POWER TAKE OFF  
PB1030040-00 POWER TAKE OFF  
PB1030040-00 POWER TAKE OFF  
PB1030049-00 POWER TAKE OFF  
PB1030050-00 POWER TAKE OFF  
PB1030051-00 POWER TAKE OFF  
PB1030052-01 POWER TAKE OFF  
PB1030053-01 POWER TAKE OFF  
PB1030058-01 POWER TAKE OFF  
PB1030059-01 POWER TAKE OFF  
PB1030060-00 POWER TAKE OFF  
PB1030061-01 POWER TAKE OFF  
PB1030062-02 POWER TAKE OFF  
PB1030067-01 POWER TAKE OFF  
PB1030074-01 POWER TAKE OFF  
PB1030083-02 POWER TAKE OFF  
PB1030084-02 POWER TAKE OFF  
PB1030089-01 POWER TAKE OFF  
PB1030091-02 POWER TAKE OFF  
PB1030092-01 POWER TAKE OFF  
PB1030093-02 POWER TAKE OFF  
PB1030103-04 POWER TAKE OFF  
PB1030104-02 POWER TAKE OFF  
PB1030105-01 POWER TAKE OFF  
PB1030106-01 POWER TAKE OFF  
PB1030107-02 POWER TAKE OFF  
PB1030108-02 POWER TAKE OFF  
PB1030109-02 POWER TAKE OFF  
PB1030111-00 POWER TAKE OFF  
PB1030112-00 POWER TAKE OFF  
PB1030113-02 POWER TAKE OFF  
PB1030114-03 POWER TAKE OFF  
PB1030115-00 POWER TAKE OFF  
PB1030118-02 POWER TAKE OFF  
PB1030128-02 POWER TAKE OFF  
PB1030148-01 POWER TAKE OFF  
PB1030149-01 POWER TAKE OFF  
PB1030165-01 POWER TAKE OFF  
PB1030180-00 POWER TAKE OFF  
PB1030180-00 POWER TAKE OFF  
PB1030181-01 POWER TAKE OFF  
PB1030183-01 POWER TAKE OFF  
PB1030184-01 POWER TAKE OFF  
PB1030185-01 POWER TAKE OFF  
PB1030190-00 POWER TAKE OFF

## TM-Z260 41101110040A FRAME/SL,REMOTE-RADIO CONT.

Pos No.	Parts No	Parts Name	Qty	Unit	Technical Data	Serial No (Start)	Serial No (End)	Remarks	Page
1	36400055010	CASE	1						
2	52430306040	GEAR,INPUT	1						
3	51630301030	GEAR,OUTPUT	1						
4	36400055030	SHAFT (INPUT)	1						
5	36400055020	SHAFT (OUTPUT)	1						
6	51630301060	SHAFT (SHIFTER)	1						
7	52430306050	SPACER	1						
8	52430306030	SPACER	1						
9	52430306020	SPACER	1						
10	52630301020	ADAPTER	1						
11	51630301050	CLUTCH	1						
12	52430304120	STOPPER	1						
13	51630301020	BUSH	1						
14	52430306100	FORK	1						
15	52130307290	PACKING	1						
16	52430304090	PACKING	1						
17	80500006305	BEARING,BALL	3						
18	80500006206	BEARING,BALL	1						
19	91206030009	SEAL,OIL	1						
20	91206020007	SEAL,OIL	1						
21	80602110620	RING,RITAINING	1		R62				
22	91001102100	O-RING	1		1A P21				
23	52430604200	BALL,STEEL	1		10				
24	52430604190	SPRING	1						
25	52430304150	BOLT (ADJUSTING)	1						
26	52430604210	NUT	1		M12				
27	52430604180	PACKING	1						
28	90191210030	BOLT	8		M10X30				
29	90191208022	BOLT	4		M8X22				
30	90302041001	WASHER,SPRING	8		10				
31	90191208015	BOLT	1		M8X15				
32	90302040801	WASHER,SPRING	5		8				
40	36400050000	POWER TAKE OFF	1						

# TM-Z260 41101110040A FRAME/SL,REMOTE-RADIO CONT.

Pos No.	Parts No	Parts Name	Qty	Unit	Technical Data	Serial No (Start)	Serial No (End)	Remarks	Pages
1	36400235010	CASE	1						
2	36400235020	GEAR	1						
3	36400235030	GEAR	1						
4	36400235040	SHAFT	1						
5	36400095040	SHAFT	1						
6	36400095050	COLLAR	1						
7	36400215080	PACKING (CASE)	1						
8	90101206012	BOLT	1		M6X12				
9	90191210016	BOLT	8		M10X16				
10	36400295010	BOLT	6						
11	90267201000	NUT	6		M10				
12	90302041001	WASHER,SPRING	14		10				
14	36400095130	WASHER	1						
15	36400135100	KEY	1						
16	80500006305	BEARING,BALL	2						
17	36400095120	BEARING	2						
18	91206025005	SEAL,OIL	1						
19	36400095090	SHIM	N						
20	36400235050	COVER (FRONT)	1						
21	36400235060	COVER (REAR)	1						
22	36400235070	PACKING	2						
24	36400135120	COUPLING	1						
25	90211201400	NUT	1		M14				
26	36400135090	WASHER	1						
27	36400135080	WASHER,PLAIN	1						
28	36400225110	SHIFTER SET	1						
29	36400095110	PACKING	1						
30	90191208020	BOLT	4		M8X20				
31	90302040801	WASHER,SPRING	4		8				
32	80602110520	RING,RITAINING	2		R52				
33	36400295020	PLATE,NAME	1						
35	31790670100	SUPPORT	1						
36	90191208025	BOLT	2		M8X25				
49	36400225160	SEAL,OIL	1						
50	36400290000	POWER TAKE OFF	1						
100	31790690000	POWER TAKE OFF	1						

# TM-Z260 41101110040A FRAME/SL,REMOTE-RADIO CONT.

Pos No.	Parts No	Parts Name	Qty	Unit	Technical Data	Serial No (Start)	Serial No (End)	Remarks	Pages
1	36400355010	CASE	1						
2	36400285010	GEAR	1						
3	36400365010	SHAFT	1						
4	36400285030	GEAR	1						
5	36400095040	SHAFT	1						
6	36400095050	COLLAR	1						
7	36400095070	COVER (BEARING)	1						
8	36400095080	PACKING (COVER)	1						
9	36400095090	SHIM	N						
10	36400285040	SHIFTER SET	1						
11	36400095110	PACKING	2						
12	80500006206	BEARING,BALL	2						
13	36400095120	BEARING	2						
14	80602110520	RING,RITAINING	2		R52				
15	91206030005	SEAL,OIL	1						
16	90101206012	BOLT	1		M6X12				
17	36400095130	WASHER	1						
18	90191208030	BOLT	4		M8X30				
19	90191208014	BOLT	3		M8X14				
20	90302040801	WASHER,SPRING	7		8				
22	36400345010	SPACER	1						
23	90191210040	BOLT	4		M10X40				
24	36400285060	BOLT	4						
25	90267201000	NUT	4		M10				
26	90302041001	WASHER,SPRING	8		10				
27	31790670100	SUPPORT	1						
30	36400285080	SPACER	1						
31	90191208035	BOLT	2		M8X35				
32	36400135120	COUPLING	1						
33	36400135100	KEY	1						
34	90211201400	NUT	1		M14				
35	36400135080	WASHER,PLAIN	1						
36	36400135090	WASHER	1						
37	36400335030	SHIM	N						
50	36400360000	POWER TAKE OFF	1						
100	31791710000	POWER TAKE OFF	1						

# TM-Z260 41101110040A FRAME/SL,REMOTE-RADIO CONT.

Pos No.	Parts No	Parts Name	Qty	Unit	Technical Data	Serial No (Start)	Serial No (End)	Remarks	Pages
1	36400105010	CASE	1						
2	36400095020	GEAR	1						
3	36400095030	SHAFT	1						
4	36400095040	SHAFT	1						
5	36400095050	COLLAR	1						
6	36400095060	GEAR	1						
7	36400095070	COVER (BEARING)	1						
8	36400095080	PACKING (COVER)	1						
9	36400095090	SHIM	N						
10	36400095100	SHIFTER ASSY	1						
11	36400095110	PACKING	1						
12	80500006206	BEARING,BALL	2						
14	36400095120	BEARING	2						
15	80602110520	RING,RITAINING	2		R52				
16	91206030005	SEAL,OIL	1						
17	90101206012	BOLT	1		M6X12				
18	36400095130	WASHER	1						
19	90191208020	BOLT	4		M8X20				
20	90191208014	BOLT	3		M8X14				
21	90302040801	WASHER,SPRING	7		8				
22	90191208025	BOLT	2		M8X25				
23	36400095140	PACKING (CASE)	1						
24	90191210030	BOLT	4		M10X30				
25	36400105020	BOLT	4						
26	90267201000	NUT	4		M10				
27	90302041001	WASHER,SPRING	8		10				
30	31790670100	SUPPORT	1						
50	36400100000	POWER TAKE OFF	1						
100	31791640000	POWER TAKE OFF	1						

# TM-Z260 41101110040A FRAME/SL,REMOTE-RADIO CONT.

Pos No.	Parts No	Parts Name	Qty	Unit	Technical Data	Serial No (Start)	Serial No (End)	Remarks	Pages
1	52130105020	CASE	1						
2	52130102050	GEAR	1						
3	52130105030	SHAFT,DRIVING	1						
4	52130102070	FORK (SHIFTER)	1						
5	52130102060	SHAFT (SHIFTER)	1						
6	52130105100	COVER	1						
7	52130404040	COVER	1						
8	52130102100	PACKING	2						
9	91206025010	SEAL,OIL	1						
10	91206020007	SEAL,OIL	1						
11	80500006205	BEARING,BALL	2						
12	80560010000	BALL,STEEL	1		10				
13	52130102120	SPRING	1						
14	90104512013	BOLT	1						
15	52430604180	PACKING	1						
16	52130102030	COUPLING	1						
17	52130105070	WASHER,PLAIN	1						
18	52230102330	STOPPER	1						
19	52130105090	NUT,LOCK	1						
20	52130404310	KEY	1						
21	90101508020	BOLT	8		M8X20				
22	90302040801	WASHER,SPRING	8		8				
23	52130102150	PACKING	1						
24	90302041001	WASHER,SPRING	6		10				
25	90101510030	BOLT	6		M10X30				
30	52130105000	POWER TAKE OFF	1						

## TM-Z260 41101110040A FRAME/SL,REMOTE-RADIO CONT.

Pos No.	Parts No	Parts Name	Qty	Unit	Technical Data	Serial No (Start)	Serial No (End)	Remarks	Pages
1	36400335010	CASE	1						
2	36400495010	GEAR	1						
3	36400285020	SHAFT	1						
4	36400495020	GEAR	1						
5	36400095040	SHAFT	1						
6	36400095050	COLLAR	1						
7	36400285040	SHIFTER SET	1						
8	36400095110	PACKING	2						
9	36400095070	COVER (BEARING)	1						
10	36400095080	PACKING (COVER)	1						
11	36400095090	SHIM	N						
12	80500006206	BEARING,BALL	2						
13	36400095120	BEARING	2						
14	91206030005	SEAL,OIL	1						
15	36400095130	WASHER	1						
16	90101206012	BOLT	1		M6X12				
17	80602110520	RING,RITAINING	2		R52				
18	90191208014	BOLT	3		M8X14				
19	90191208030	BOLT	4		M8X30				
20	90302040801	WASHER,SPRING	7		8				
21	36400285080	SPACER	1						
24	36400345010	SPACER	1						
25	36400335030	SHIM	N						
26	90191210040	BOLT	4		M10X40				
27	36400285060	BOLT	4						
28	90267201000	NUT	4		M10				
29	90302041001	WASHER,SPRING	8		10				
30	31790680100	SUPPORT	1						
31	90191208035	BOLT	2		M8X35				
50	36400490000	POWER TAKE OFF	1						
100	31791790000	POWER TAKE OFF	1						

# TM-Z260 41101110040A FRAME/SL,REMOTE-RADIO CONT.

Pos No.	Parts No	Parts Name	Qty	Unit	Technical Data	Serial No (Start)	Serial No (End)	Remarks	Pages
1	36400435010	CASE	1						
2	36400435020	GEAR	1						
3	36400435030	SHAFT	1						
4	36400435040	SLEEVE	1						
5	36400435050	BEARING,PLAIN	1						
6	36400435060	SHIFTER SET	1						
7	36400095110	PACKING	1						
8	36400095070	COVER (BEARING)	1						
9	36400095080	PACKING (COVER)	1						
10	36400095090	SHIM	N						
11	36400435070	COLLAR	1						
12	80500006206	BEARING,BALL	1						
13	80500006007	BEARING,BALL	1						
14	80801002520	BEARING,PLAIN	2						
15	91216035002	SEAL,OIL	1						
16	90191208014	BOLT	3		M8X14				
17	90191208020	BOLT	4		M8X20				
18	90302040801	WASHER,SPRING	7		8				
19	36400435080	PLATE,NAME	1						
21	36400435090	PACKING (CASE)	1						
22	36400435100	BOLT,STUD	2						
23	36400435110	BOLT,STUD	2						
24	36400435120	BOLT,STUD	2						
25	90267401200	NUT	6						
26	90302041201	WASHER,SPRING	6		12				
27	31790680100	SUPPORT	1						
28	90191208025	BOLT	2		M8X25				
50	36400430000	POWER TAKE OFF	1						
100	31791760000	POWER TAKE OFF	1						

## TM-Z260 41101110040A FRAME/SL,REMOTE-RADIO CONT.

Pos No.	Parts No	Parts Name	Qty	Unit	Technical Data	Serial No (Start)	Serial No (End)	Remarks	Pages
1	36400805010	CASE	1						
2	36400805020	GEAR	1						
3	36400765030	SHAFT	1						
4	36400765040	SLEEVE	1						
5	36400095100	SHIFTER ASSY	1						
6	36400095110	PACKING	1						
7	80500006006	BEARING,BALL	1						
8	36400765050	BEARING,NEEDLE	1						
9	36400765060	BEARING	1						
10	36400765070	BEARING	1						
11	91206030005	SEAL,OIL	1						
12	36400095070	COVER (BEARING)	1						
13	36400095080	PACKING (COVER)	1						
14	36400095090	SHIM	N						
15	90191208014	BOLT	3		M8X14				
16	90302040801	WASHER,SPRING	7		8				
17	90191208020	BOLT	4		M8X20				
18	90193512090	BOLT	2						
19	90302041201	WASHER,SPRING	6		12				
20	36400785020	BOLT,STUD	2						
21	90264201200	NUT	2		M12				
22	90193512035	BOLT	2		M12X35				
23	36400435090	PACKING (CASE)	1						
24	36400805030	PLATE,NAME	1						
26	31790750100	SUPPORT	1						
50	36400800000	POWER TAKE OFF	1						
100	31791340000	POWER TAKE OFF	1						

# TM-Z260 41101110040A FRAME/SL,REMOTE-RADIO CONT.

Pos No.	Parts No	Parts Name	Qty	Unit	Technical Data	Serial No (Start)	Serial No (End)	Remarks	Pages
1	36400875010	CASE	1						
2	36400875020	GEAR	1						
3	36400875030	SHAFT	1						
4	36400875040	GEAR	1						
5	36400095040	SHAFT	1						
6	36400095050	COLLAR	1						
7	36400875050	SHIFTER SET	1						
8	36400095110	PACKING	2						
9	36400095070	COVER (BEARING)	1						
10	36400095080	PACKING (COVER)	1						
11	36400095090	SHIM	1						
12	80500006206	BEARING,BALL	2						
13	36400095120	BEARING	2						
14	91206030005	SEAL,OIL	1						
15	36400095130	WASHER	1						
16	90101206012	BOLT	1		M6X12				
17	80602110520	RING,RITAINING	2		R52				
18	90191208014	BOLT	3		M8X14				
19	90191208030	BOLT	4		M8X30				
20	90302040801	WASHER,SPRING	7		8				
21	36400285080	SPACER	1						
24	36400345010	SPACER	1						
25	36400335030	SHIM	1						
26	90191210040	BOLT	4		M10X40				
27	36400285060	BOLT	4						
28	90267201000	NUT	4		M10				
29	90302041001	WASHER,SPRING	8		10				
30	31790680100	SUPPORT	1						
31	90191208035	BOLT	2		M8X35				
50	36400870000	POWER TAKE OFF	1						
100	31791550000	POWER TAKE OFF	1						

## TM-Z260 41101110040A FRAME/SL,REMOTE-RADIO CONT.

Pos No.	Parts No	Parts Name	Qty	Unit	Technical Data	Serial No (Start)	Serial No (End)	Remark
2	51630103010	CASE (P.T.O)	1					
3	51630103020	SHAFT (POWER TAKE OFF)	1					
4	51630103030	BEARING,NEEDLE	1					
6	36400955010	GEAR	1					
7	51630103050	WASHER	2					
8	51630103060	PIN,SPRING	1					
9	36400955020	SHAFT (OUTPUT)	1					
10	51630103080	BEARING,NEEDLE	2					
12	51630103090	GEAR,OUTPUT	1					
13	51630103100	WASHER	1					
15	51630103110	SLEEVE	1					
16	80500006206	BEARING,BALL	3					
17	52630106230	COVER (FRONT)	1					
18	36400955030	ADAPTER	1					
19	51630103140	GASKET	2					
20	51630103150	BOLT	4					
21	36400955040	BOLT	4		M8X25X1.25			
22	36400955050	SEAL,OIL	1					
25	51630103170	SHAFT	1					
26	51630103180	FORK	1					
27	51630103190	BOLT	1					
28	52630106200	BALL,STEEL	1					
29	52630106190	SPRING	1					
30	51630103200	PLUG	1					
31	51630103210	PLUG	1					
32	51630103220	SEAL,OIL	1					
33	51630103230	BOLT	1					
35	51630103240	NUT	1					
36	51630103250	GASKET	1					
37	51630103260	GASKET	1					
38	36400315040	BOLT	6					
40	36400955060	COUPLING	1					
41	36400955070	RING,STOP	1					
50	36400950000	POWER TAKE OFF	1					

# TM-Z260 41101110040A FRAME/SL,REMOTE-RADIO CONT.

Pos No.	Parts No	Parts Name	Qty	Unit	Technical Data	Serial No (Start)	Serial No (End)	Remarks	Pages
1	36401095080	CASE	1						
2	36401095020	GEAR	1						
3	36400915030	SHAFT	1						
4	36401095030	GEAR	1						
5	36400675030	COLLAR	1						
6	36400395050	SHAFT	1						
7	36400095070	COVER (BEARING)	1						
8	36400095080	PACKING (COVER)	1						
9	36400095090	SHIM	1						
10	36400095100	SHIFTER ASSY	1						
11	36400095110	PACKING	1						
12	80500006206	BEARING,BALL	2						
14	36400135070	BEARING	2						
15	80602110620	RING,RITAINING	2		R62				
16	91206030005	SEAL,OIL	1						
17	90101206015	BOLT	1		M6X15				
18	36400095130	WASHER	1						
19	90191208020	BOLT	4		M8X20				
20	90191208014	BOLT	3		M8X14				
21	90302040801	WASHER,SPRING	7		8				
23	36400915060	PACKING	1						
25	36401095040	BOLT	6						
26	90267401200	NUT	6						
27	90302041201	WASHER,SPRING	6		12				
29	90191208025	BOLT	2		M8X25				
30	31790830100	SUPPORT	1						
50	36401090000	POWER TAKE OFF	1						
100	31790840000	POWER TAKE OFF	1						

# TM-Z260 41101110040A FRAME/SL,REMOTE-RADIO CONT.

Pos No.	Parts No	Parts Name	Qty	Unit	Technical Data	Serial No (Start)	Serial No (End)	Remarks	Page
1	51630403010	CASE	1						
2	51630403090	ADAPTER	1						
3	51630403020	SHAFT	1						
4	51630403050	GEAR	1						
5	51630403060	SHAFT (SHIFTER)	1						
6	51630403070	FORK	1						
7	51630403040	COVER (BEARING)	1						
8	80500006305	BEARING,BALL	2						
9	90191208020	BOLT	4		M8X20				
10	90191210025	BOLT	4		M10X25				
11	90193712105	BOLT (N4C)	4		M12X105				
12	90302040801	WASHER,SPRING	4		8				
13	90302041001	WASHER,SPRING	4		10				
14	90302041201	WASHER,SPRING	4		12				
15	52430304150	BOLT (ADJUSTING)	1						
16	52430604210	NUT	1		M12				
17	91206020007	SEAL,OIL	1						
18	91206022001	SEAL,OIL	1						
19	52430604200	BALL,STEEL	1		10				
20	52430604190	SPRING	1						
21	52430604180	PACKING	1						
22	52130307290	PACKING	1						
23	51630403030	PACKING	1						
24	51630201130	COUPLING	1						
25	51630201120	PACKING	1						
30	51630404000	POWER TAKE OFF	1						

## TM-Z260 41101110040A FRAME/SL,REMOTE-RADIO CONT.

Pos No.	Parts No	Parts Name	Qty	Unit	Technical Data	Serial No (Start)	Serial No (End)	Remarks	Pa
1	52630106010	CASE	1						
2	52630106020	SHAFT (OUTPUT)	1						
3	52630106030	SHAFT	2						
4	52630106040	O-RING	4						
5	52630106050	PLATE	1						
6	52630106060	BOLT	1						
7	52630106070	GEAR,OUTPUT	1						
8	52630106080	GEAR,IDLE	1						
9	52630106090	GEAR,INPUT	1						
10	52630106100	SHAFT (SHIFT FORK)	1						
11	52630106110	SEAL,OIL	2						
14	52630106140	BOLT,EYE	1						
15	52630106150	NUT	1		M12				
16	52630106160	FORK (SHIFTER)	1						
17	52630106170	BOLT	1						
18	52630106180	WIRE	1						
19	52630106190	SPRING	1						
20	52630106200	BALL,STEEL	1						
21	52630106210	PLUG,SCREW	1						
22	52630106220	GASKET	1						
23	52630106230	COVER (FRONT)	1						
24	52630106240	ADAPTER	1						
25	52630106250	GASKET	2						
26	52630106260	BOLT	4						
27	52630106270	BOLT	4						
28	52630106280	KEY (FEATHER)	1						
29	52630106290	SPACER	1						
30	52630106300	SPACER	1						
31	52630106310	BEARING,NEEDLE	1						
32	52630106320	BEARING,NEEDLE	2						
33	80500006206	BEARING,BALL	1						
34	80500006206	BEARING,BALL	1						
35	52630106350	SEAL,OIL	1						
38	52630106380	COLLAR	1						
51	52630106510	BOLT	2		M10X55				
52	52630106520	BOLT	2		M10X35				
53	52630106530	BOLT	1		M10X100				
54	52630106540	BOLT	3		M10X178				
55	52630106550	GASKET	1						
58	52630106580	COUPLING	1						
59	52630106590	PIN,SPRING	1						
60	52630106000	POWER TAKE OFF	1						

## TM-Z260 41101110040A FRAME/SL,REMOTE-RADIO CONT.

Pos No.	Parts No	Parts Name	Qty	Unit	Technical Data	Serial No (Start)	Serial No (End)	Remarks	Pa
1	36402005010	CASE	1						
2	36402005020	GEAR	1						
3	36402005030	SHAFT	1						
4	36402005040	GEAR	1						
5	36400095040	SHAFT	1						
6	36400095100	SHIFTER ASSY	1						
7	36400095110	PACKING	1						
8	36400095070	COVER (BEARING)	1						
9	36400095080	PACKING (COVER)	1						
10	36400095090	SHIM	N						
11	36400095050	COLLAR	1						
12	80500006206	BEARING,BALL	2						
13	36400095120	BEARING	2						
14	91206030005	SEAL,OIL	1						
15	80602110520	RING,RITAINING	2		R52				
16	90101206012	BOLT	1		M6X12				
17	36400095130	WASHER	1						
18	90191208014	BOLT	3		M8X14				
19	90191208020	BOLT	4		M8X20				
20	90302040801	WASHER,SPRING	7		8				
22	36401945060	PACKING (FOR CASE)	1						
23	36402005060	BOLT	6						
24	90267401000	NUT	6		M10				
25	90302041001	WASHER,SPRING	6		10				
26	31791220100	SUPPORT	1						
27	90191208025	BOLT	2		M8X25				
50	36402000000	POWER TAKE OFF	1						
100	31791620000	POWER TAKE OFF	1						

# TM-Z260 41101110040A FRAME/SL,REMOTE-RADIO CONT.

Pos No.	Parts No	Parts Name	Qty	Unit	Technical Data	Serial No (Start)	Serial No (End)	Remarks	Pages
1	52630201010	CASE	1						
2	52130307290	PACKING	1						
3	52630201030	COLLAR	1						
4	52130202320	COVER (BEARING)	1						
5	80500006305	BEARING,BALL	4						
6	52630201020	BOLT	8		M8X20				
7	52630201040	GEAR,OUTPUT	1						
8	52630201050	SHAFT,DRIVING	1						
9	52630201060	COLLAR	1						
10	52630201070	GEAR,INPUT	1						
11	52630201160	BEARING,NEEDLE	2						
12	52630201080	PACKING	1						
13	52630201170	BOLT	1						
14	52630201090	COVER	1						
15	51630201120	PACKING	1						
16	52630201180	COVER (BEARING)	1						
17	80956207250	KEY	1						
18	90269251400	NUT	1		M14				
19	52230505290	STOPPER	1						
20	52630201100	SHAFT (OUTPUT)	1						
21	52630201290	FLANGE	1						
22	52630201200	SEAL,OIL	1						
23	52630201210	BOLT	4		M10X20				
24	52630201280	CLUTCH	1						
25	90710006200	SCREW,SET	1		M6X20				
26	52630201220	COLLAR	1						
27	52630201300	LEVER	1						
28	52630201400	FORK	1						
29	91001101400	O-RING	1		1A P14				
30	52630201230	WASHER,PLAIN	1		16				
31	52630201240	SPRING	1						
32	52630201250	CHECK	1						
33	52630201260	PACKING	2						
34	52630201500	SPACER	1						
37	52630201270	BOLT	2		M18X15				
38	90303071401	WASHER,PLAIN	1		14				
39	90302040801	WASHER,SPRING	1		8				
40	90191210035	BOLT	6		M10X35				
41	90302041001	WASHER,SPRING	8		10				
42	52630301280	BOLT,STUD	2		M10X32				
43	90264201000	NUT	2		M10				
50	52630201001	POWER TAKE OFF	1						

**TM-Z260 41101110040A FRAME/SL,REMOTE-RADIO CONT.**

Pos No.	Parts No	Parts Name	Qty	Unit	Technical Data	Serial No (Start)	S
8	51463002080	BACKUP STRIP	2				
9	52263902040	GASKET	2				
10	52263902050	GASKET	2				
13	36650035030	SEAL,OIL	1				
20	36650050000	PUMP,HYDRAULIC (CCW VIEW FROM SHAFT END)	1				
28	36650035070	BACKUP STRIP	2				
29	36650035080	GASKET	2				
33	36650035090	SEAL,OIL	1				
48	36652335010	GASKET	2				
50	36652335020	GASKET	2				
53	53063551010	SEAL,OIL	1				

CLICK HERE TO **DOWNLOAD** THE COMPLETE MANUAL

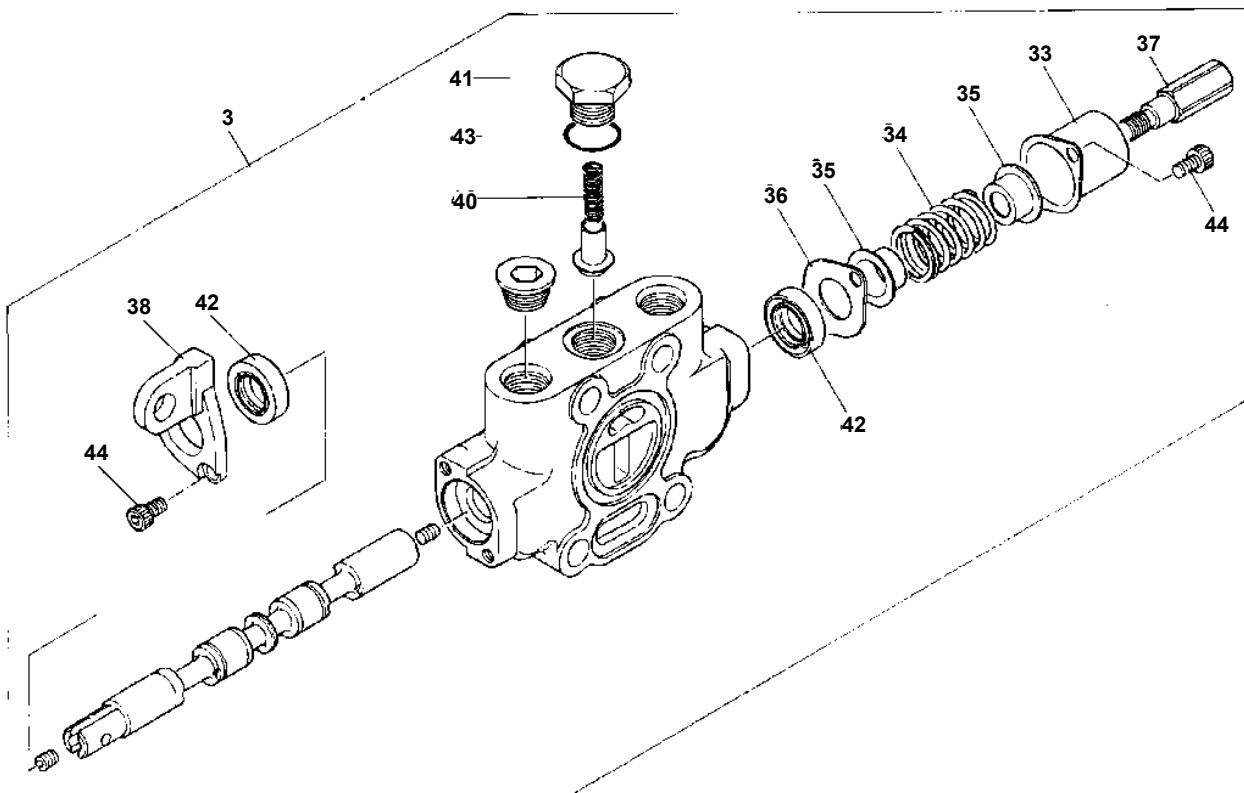
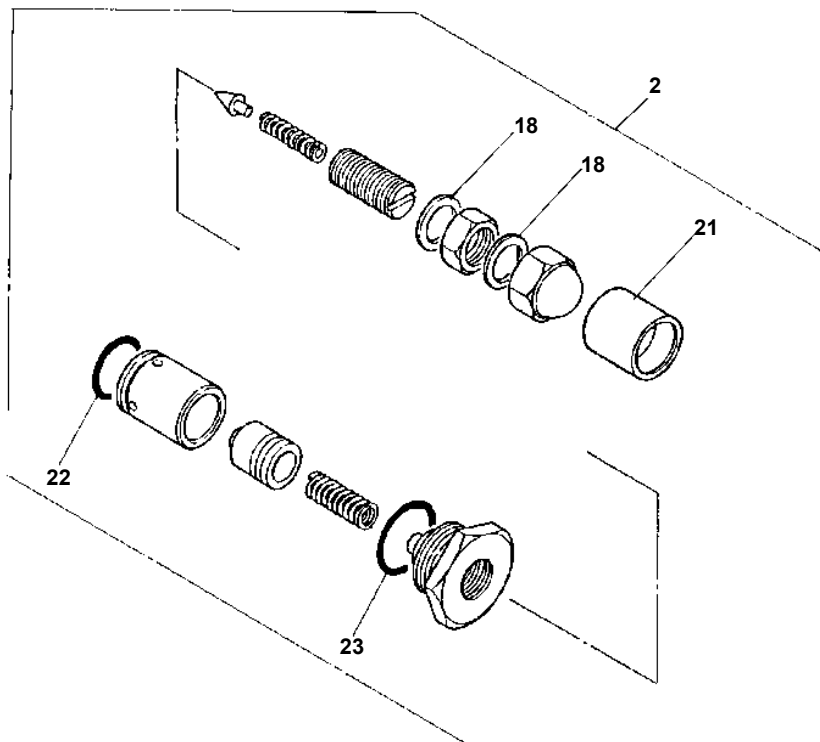
- Thank you very much for reading the preview of the manual.
- You can download the complete manual from: [www.heydownloads.com](http://www.heydownloads.com) by clicking the link below



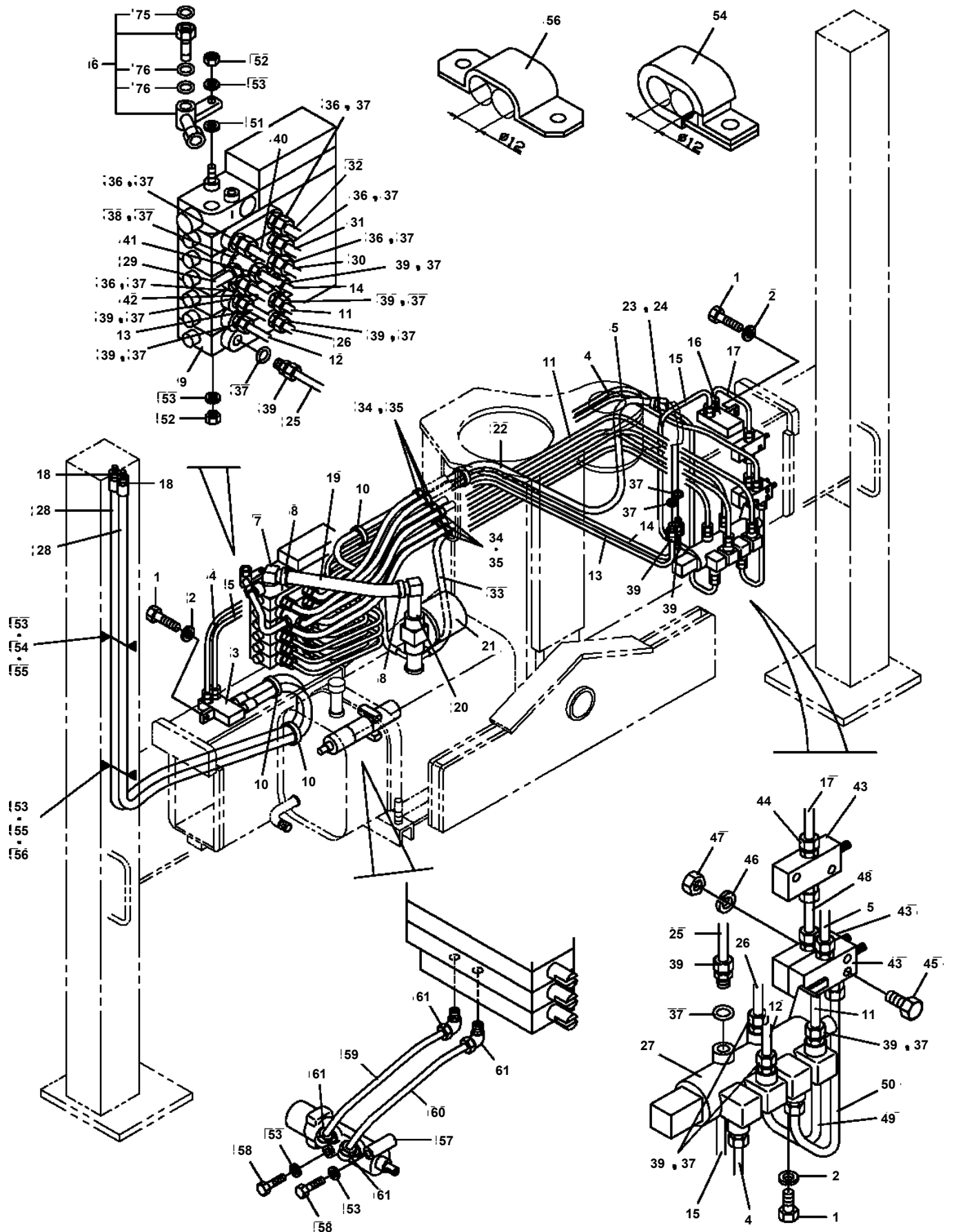
- Please note: If there is no response to CLICKING the link, please download this PDF first and then click on it.

CLICK HERE TO **DOWNLOAD** THE COMPLETE MANUAL

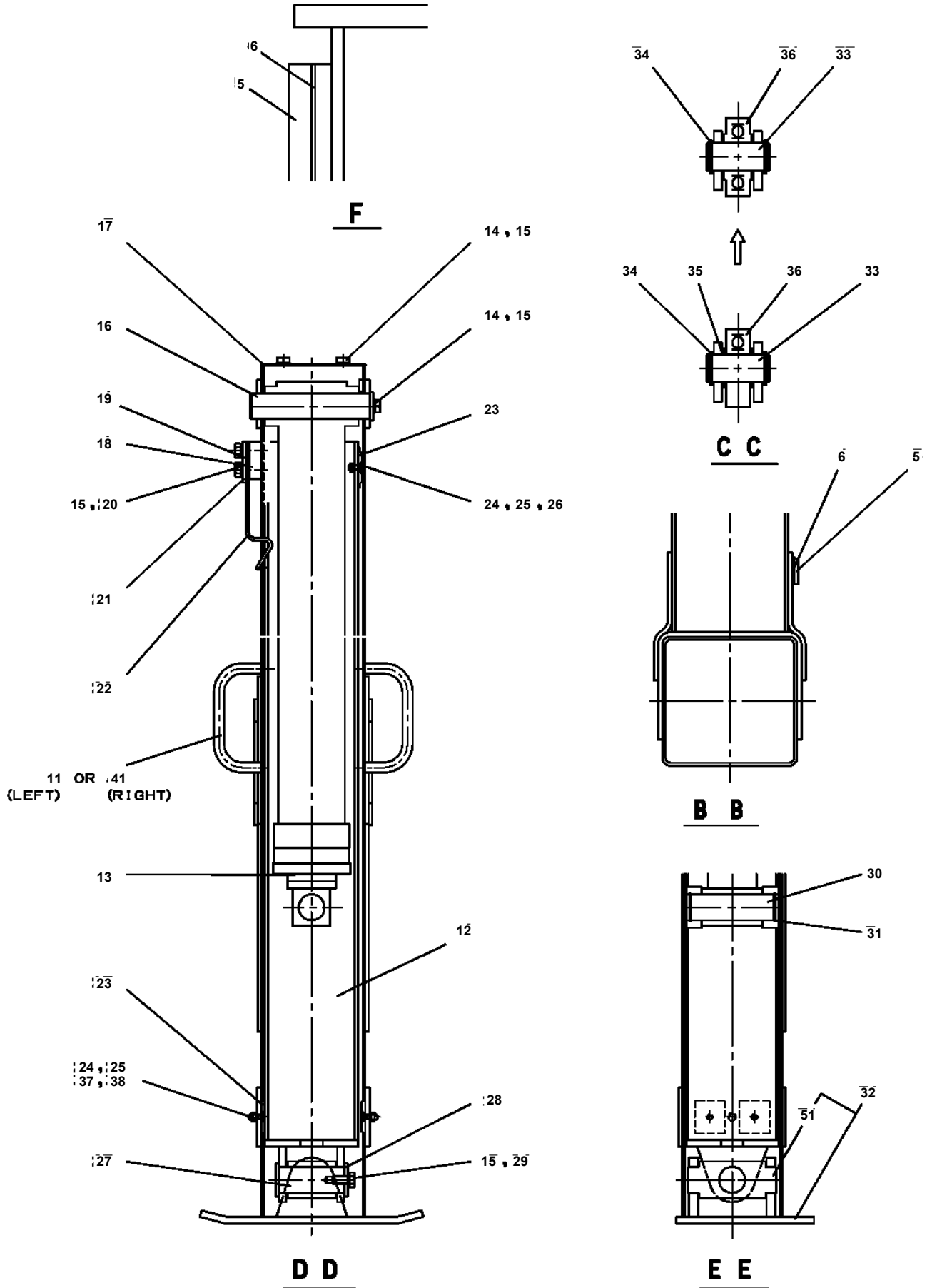
**TM-Z260 41101110040A FRAME/SL,REMOTE-RADIO CONT.  
PB1320390-02 VALVE,MANUAL CONTROL**



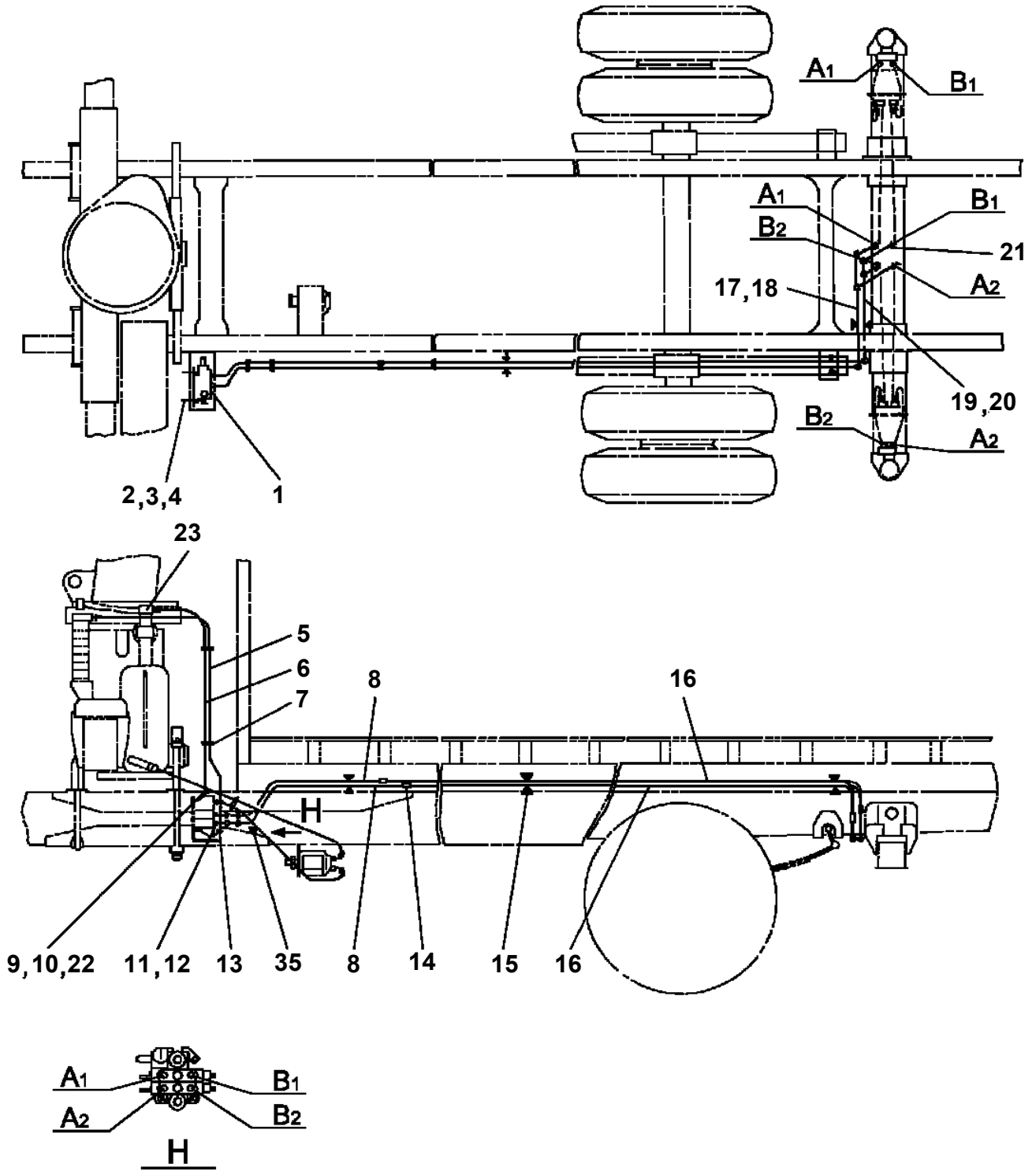
**TM-Z260 41101110040A FRAME/SL,REMOTE-RADIO CONT.  
PB1410204-00 PIPING,HYDRAULIC LOWER**



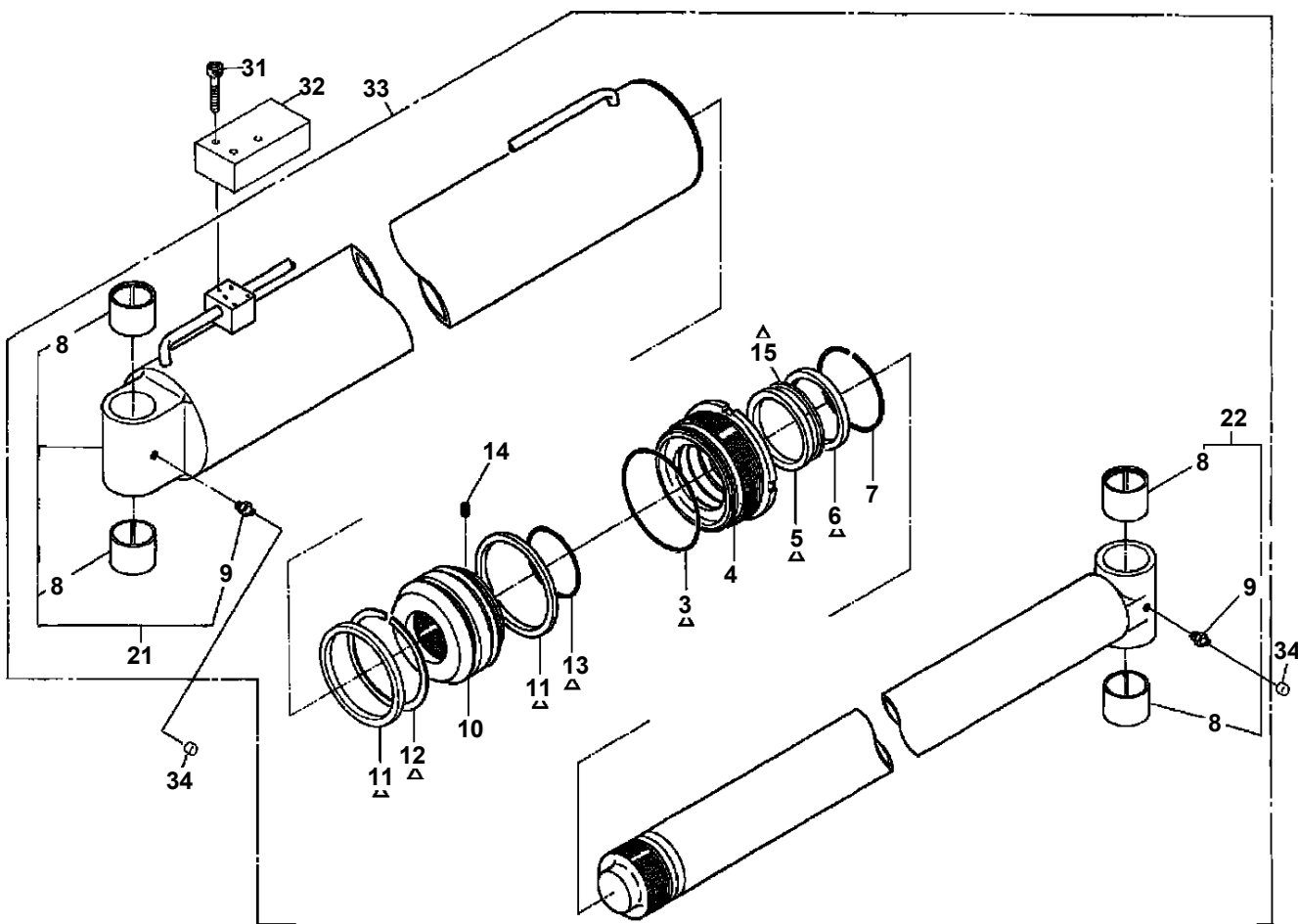
**TM-Z260 41101110040A FRAME/SL,REMOTE-RADIO CONT.  
PC1010076-04 OUTRIGGER (SL)**



TM-Z260 41101110040A FRAME/SL,REMOTE-RADIO CONT.  
 PC1230034-00 PIPING,REAR JACK (S-TEC,MANUAL TYPE)



**TM-Z260 41101110040A FRAME/SL,REMOTE-RADIO CONT.  
PE1010114-03 CYLINDER,ELEVATING**

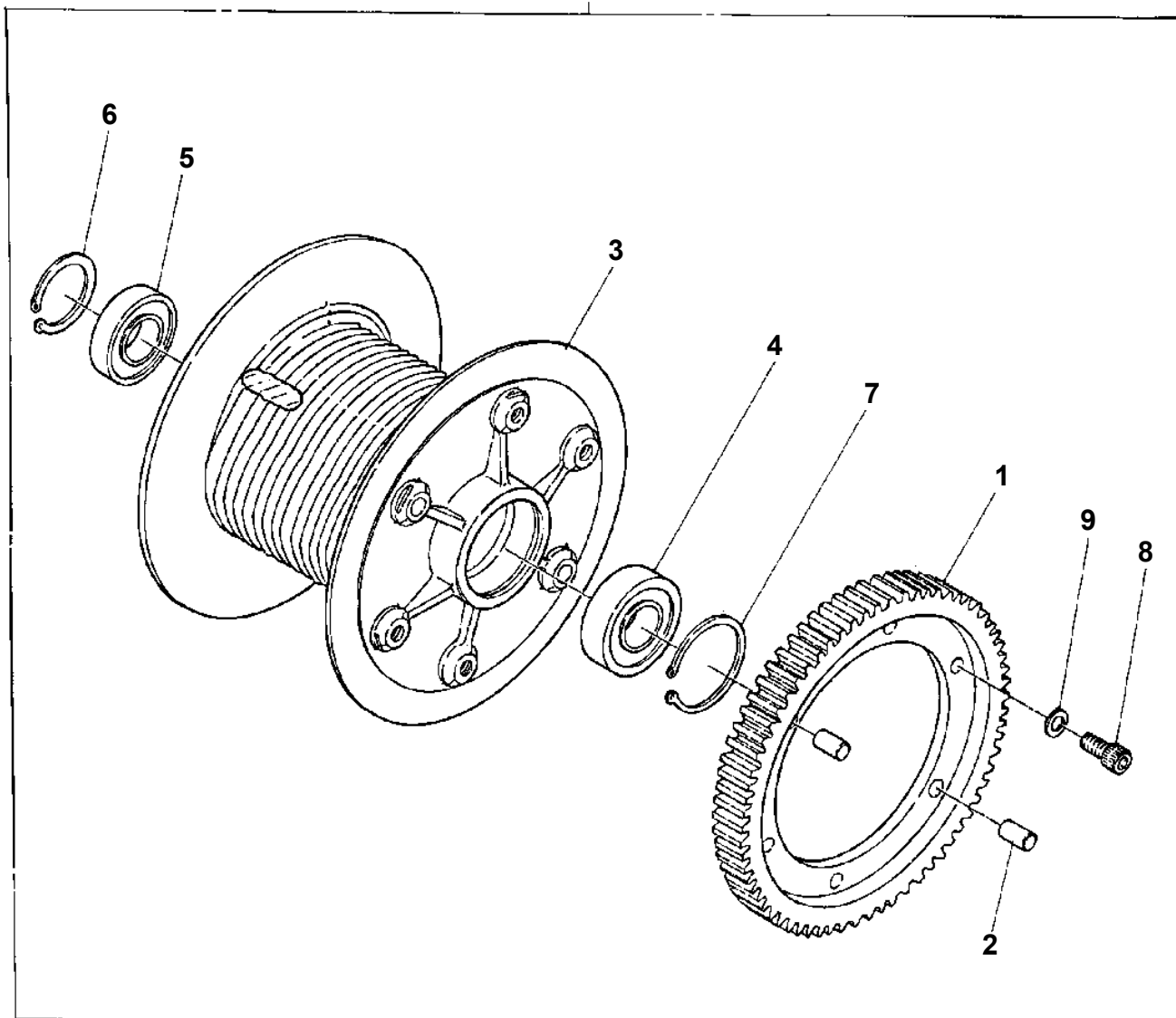


$\Delta$ : PACKING SET KEY NO.40 (KEY NO. 3, 5, 6, 11, 12, 13)

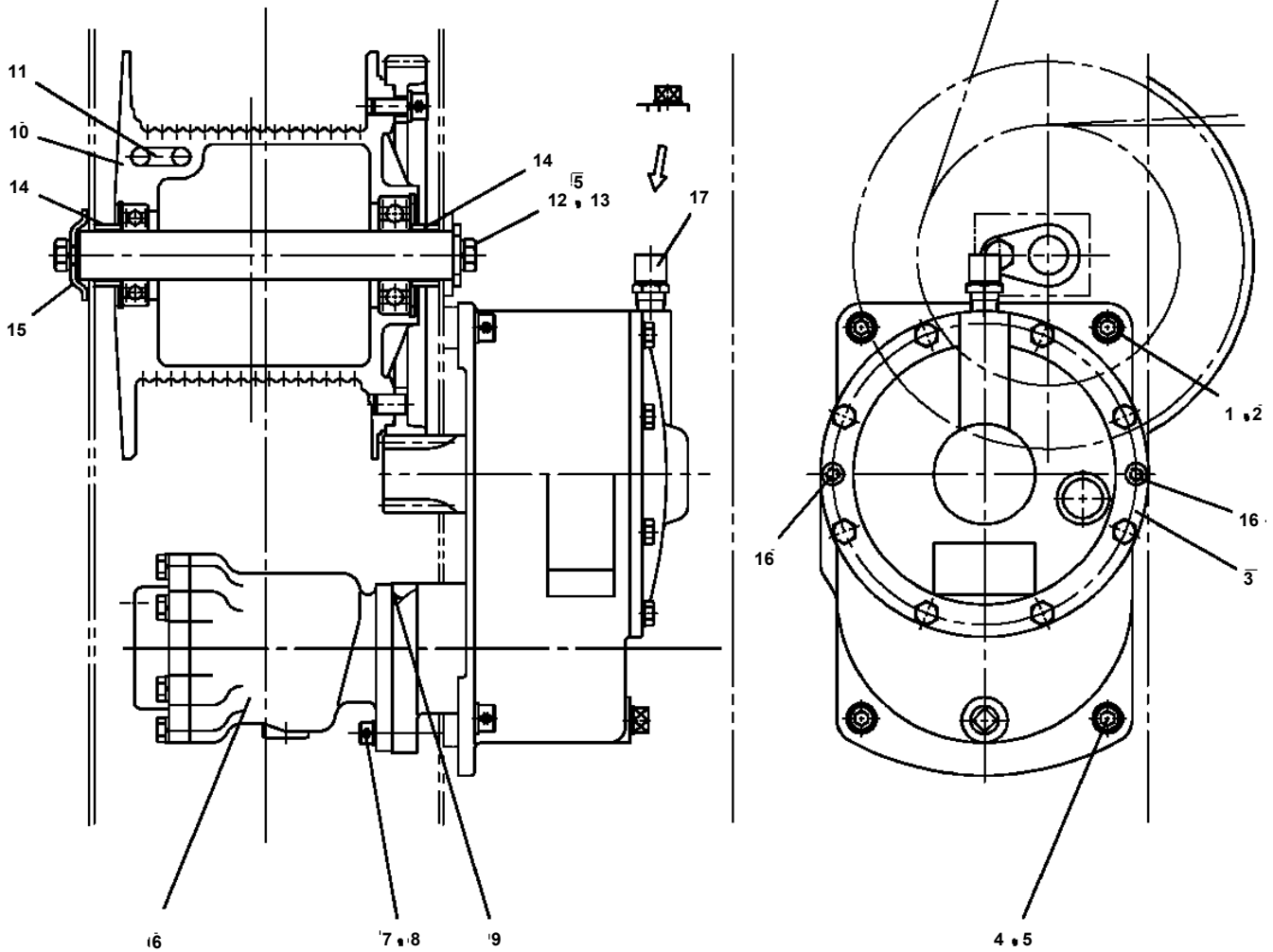
$\Delta$ : PACKING SET KEY NO.41 (KEY NO. 3, 5, 6, 11, 12, 13, 15)

TM-Z260 41101110040A FRAME/SL,REMOTE-RADIO CONT.  
PF1020000-02 DRUM,WINCH (MINI)

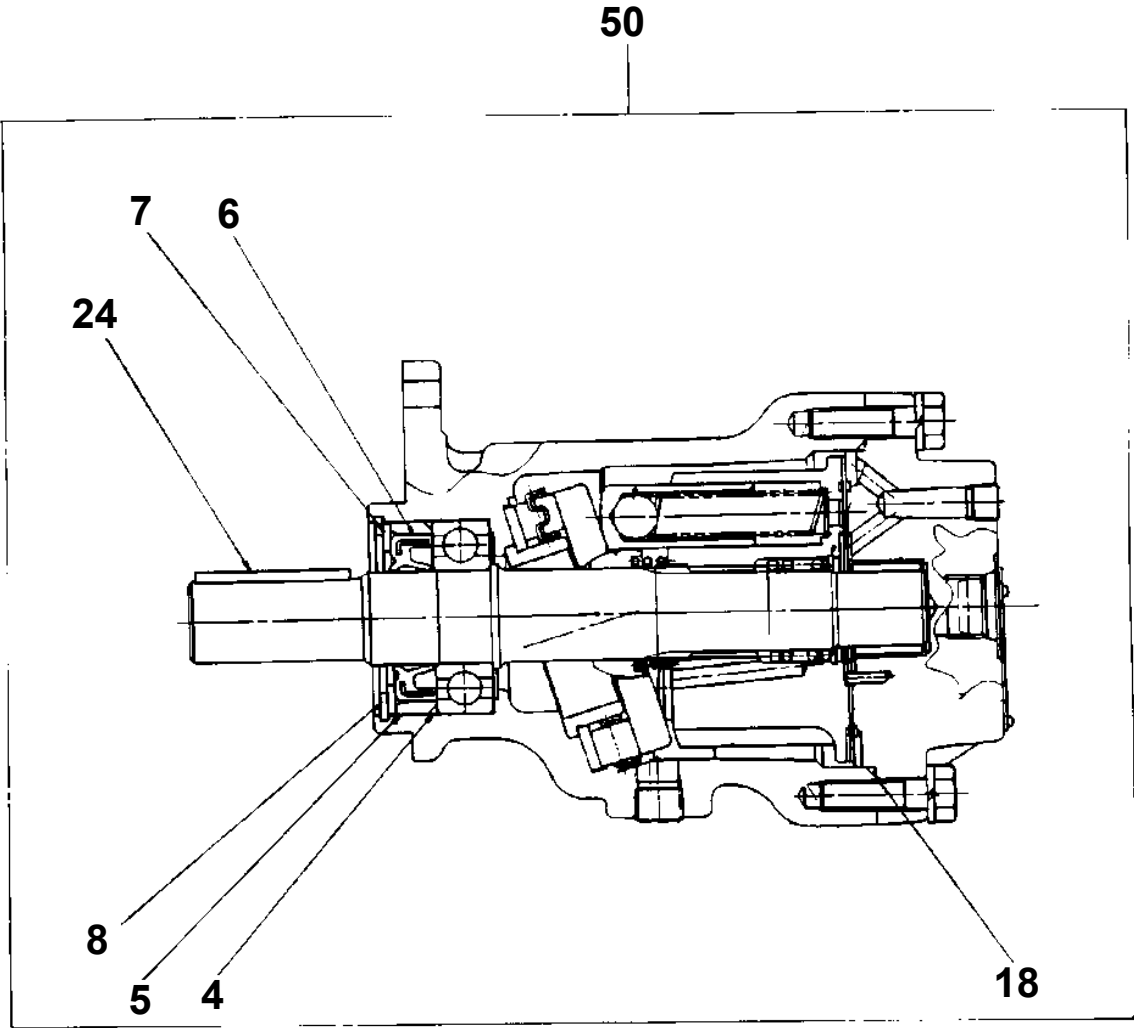
20



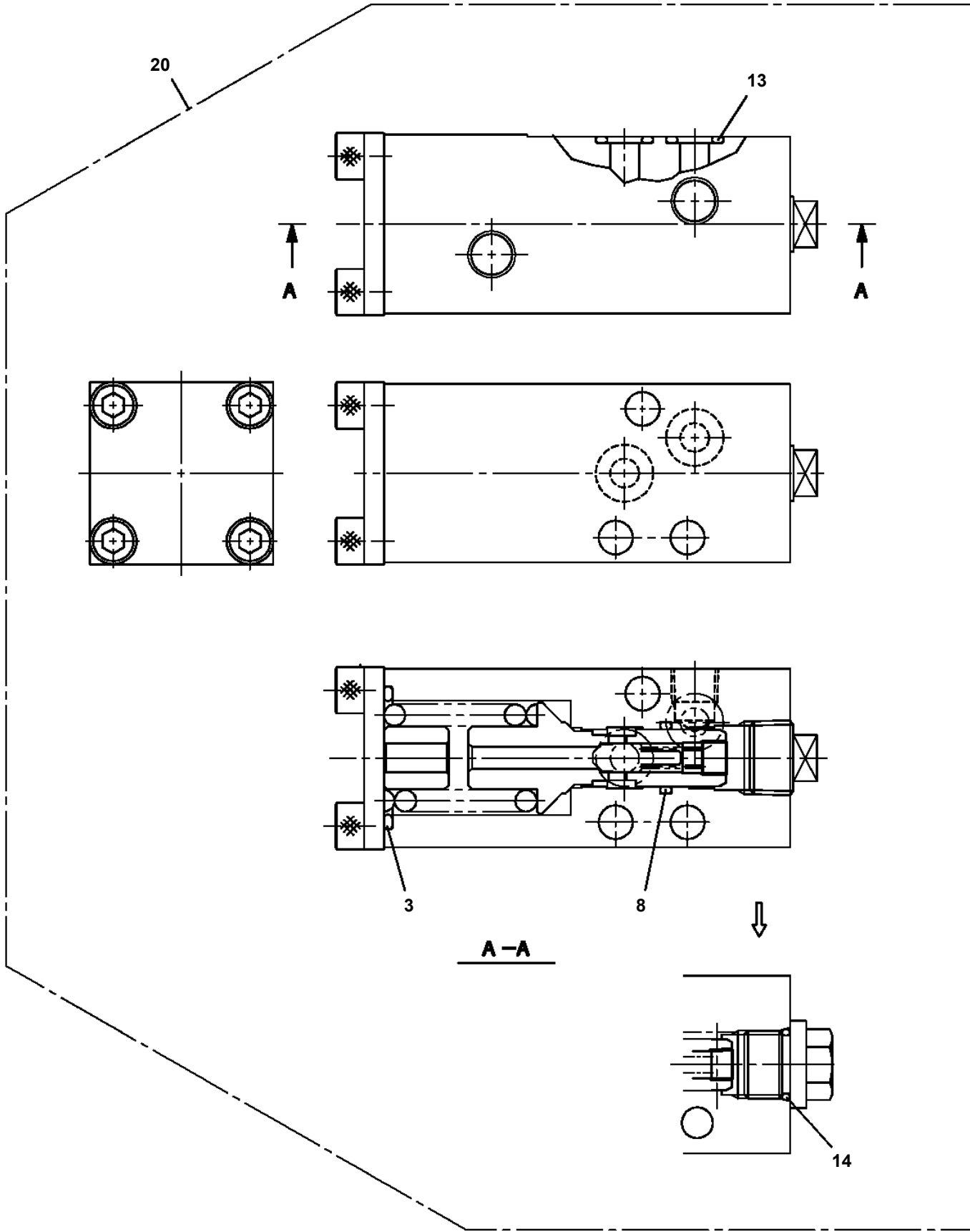
TM-Z260 41101110040A FRAME/SL,REMOTE-RADIO CONT.  
PF1400180-02 MOUNT,WINCH



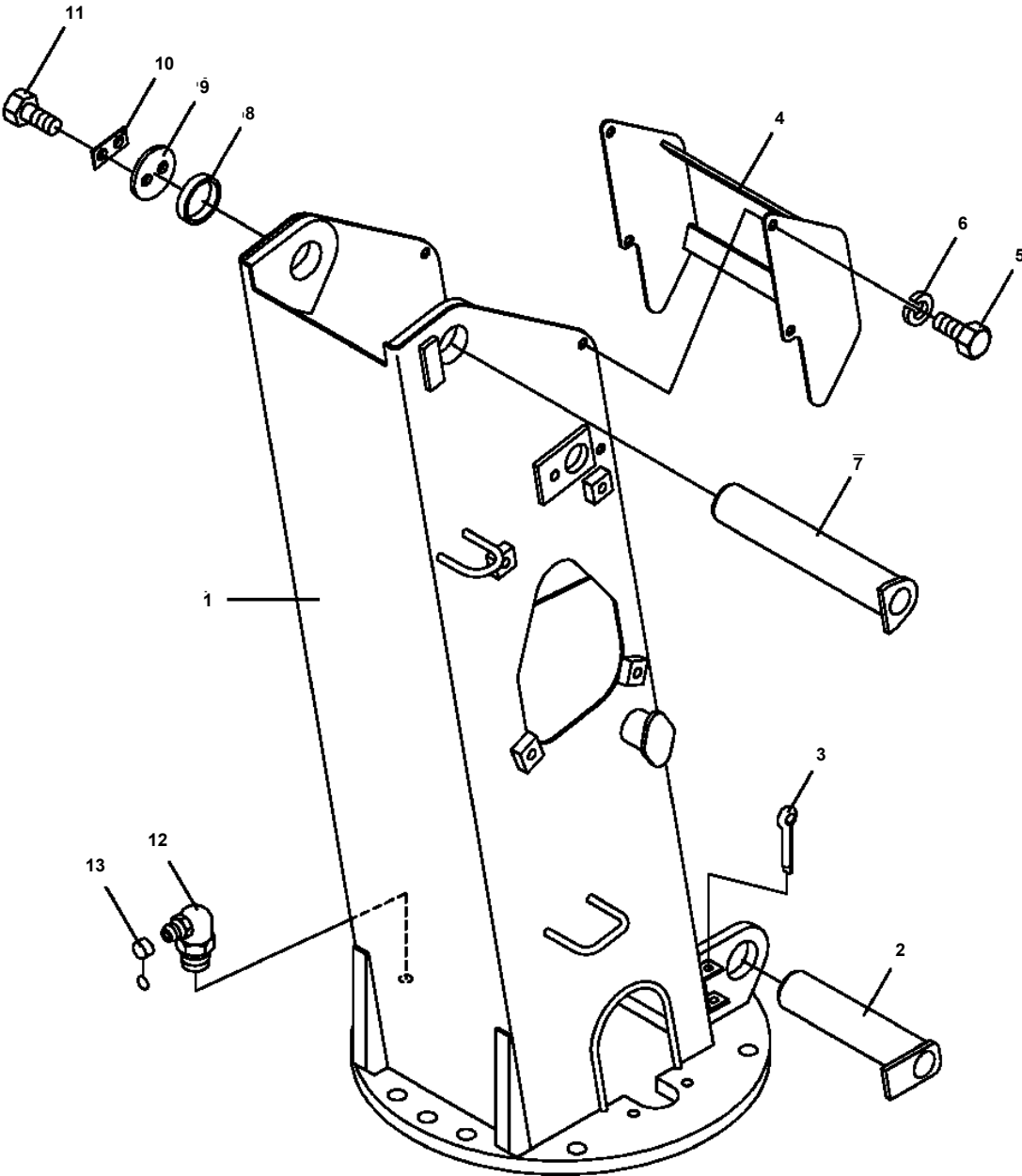
TM-Z260 41101110040A FRAME/SL,REMOTE-RADIO CONT.  
PI1010058-00 MOTOR,HYDRAULIC (WINCH)



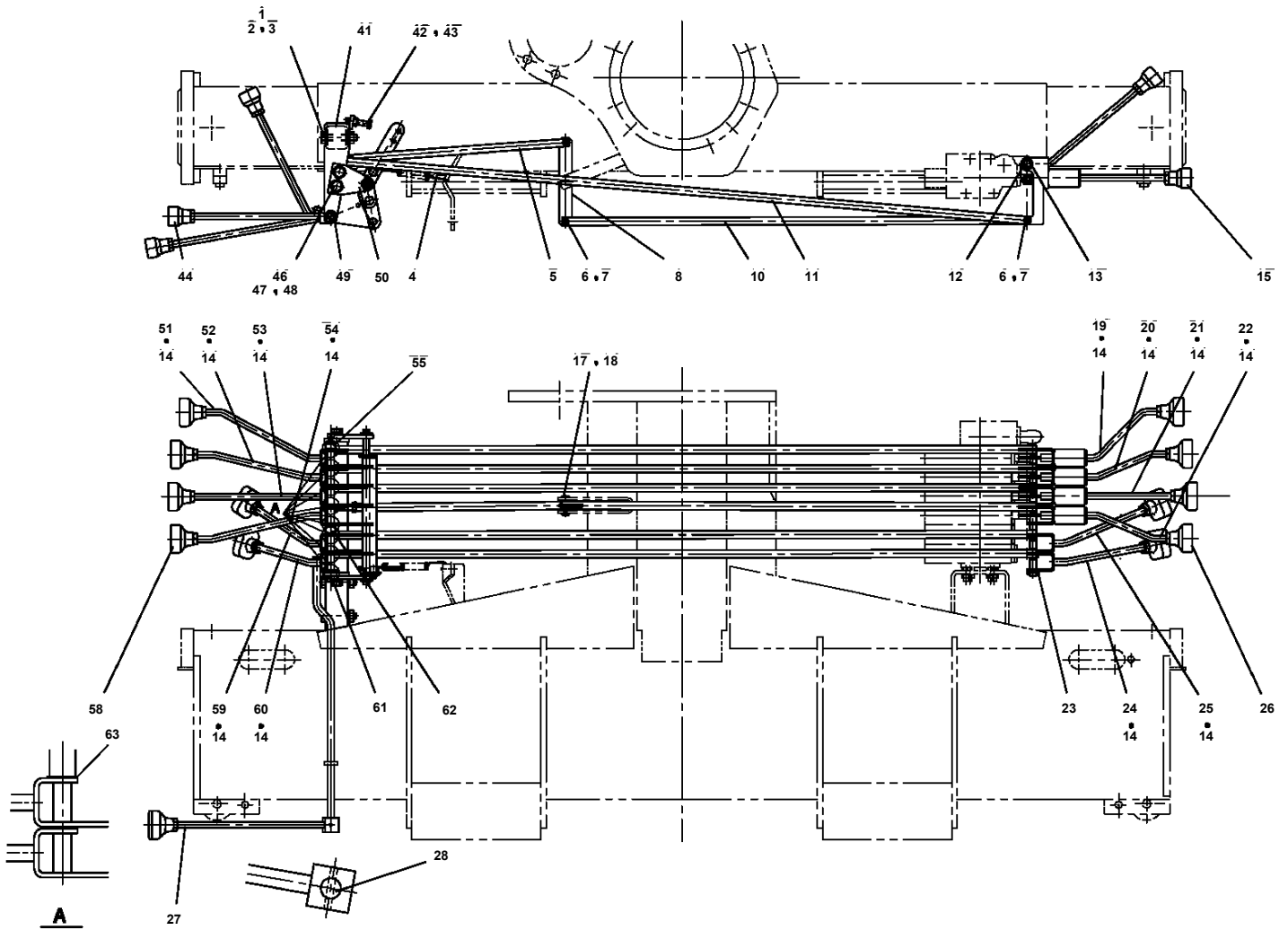
TM-Z260 41101110040A FRAME/SL,REMOTE-RADIO CONT.  
PI1250040-02 VALVE,COUNTERBALANCE



TM-Z260 41101110040A FRAME/SL,REMOTE-RADIO CONT.  
PK1100076-02 SWING FRAME



**TM-Z260 41101110040A FRAME/SL,REMOTE-RADIO CONT.  
PL1010254-01 OPERATION SYSTEM, CONTROL VALVE**



# TM-Z260 41101110040A FRAME/SL,REMOTE-RADIO CONT.

Pos No.	Parts No	Parts Name	Qty	Unit	Technical Data	Serial No (Start)	Serial No (End)	Remarks	Page
1	31650530100	SWITCH	2						
2	90927030061	SCREW,TAPPING	2						
3	90925030121	SCREW,TAPPING	2						
4	31650850100	HARNESS	1						
5	82100002451	SUPPORT	11						
6	91810130230	FASTENER	13				641944		
	91810130230	FASTENER	14			641945			
7	90101206012	BOLT	2		M6X12				
8	90302040601	WASHER,SPRING	9		6				
9	90303070601	WASHER,PLAIN	6		6				
10	31650530300	BUZZER ASSY	1						
11	82100002039	CLAMP	1						
12	90101206075	BOLT	4		M6X75				
13	31472450010	COVER	1						
14	82100002008	CLAMP	2		WR12				
15	90201200600	NUT	3		M6				
16	37000306980	SPACER	4						
17	82100001803	TUBE,CORRUGATE	1		13	641945			
31	82100002450	SWITCH,PUSH	2						

# TM-Z260 41101110040A FRAME/SL,REMOTE-RADIO CONT.

Pos No.	Parts No	Parts Name	Qty	Unit	Technical Data	Serial No (Start)	Serial No (End)	Rem
1	37002200530	PLATE,NAME	2					
2	31392140110	PLATE,CAUTION	2					
3	37002206610	PLATE,NAME (AXEL)	2					
4	37002206660	PLATE,CAUTION (OUTRIGGER)	2					
5	37002206500	PLATE,NAME (TELESCOPING)	1					
6	37002206520	PLATE,NAME (WINCH)	1					
7	37002206540	PLATE,NAME (ELEVATING)	1					
8	37002206570	PLATE,NAME (TELESCOPING)	1					
9	37002206560	PLATE,NAME (SWING)	2					
10	37002206590	PLATE,NAME (TELESCOPING)	1					
11	37002206490	PLATE,NAME (GREASE)	5					
13	90451700100	SCREW,TAPPING	4		M4X6.4			
14	37002206510	PLATE,NAME (TELESCOPING)	1					
15	37002206530	PLATE,NAME (WINCH)	1					
16	37002206550	PLATE,NAME (ELEVATING)	1					
17	37002206580	PLATE,NAME (TELESCOPING)	1					
18	37002206600	PLATE,NAME (TELESCOPING)	1					
19	37002200630	PLATE,NAME	1					
20	37002206650	PLATE,NAME (TELESCOPING)	1					
21	37002206720	PLATE,NAME (ROCK)	2					
31	37002205350	PLATE,NAME	1					
	37002205310	PLATE,NAME (LEVEL)	1					

# TM-Z260 41101110040A FRAME/SL,REMOTE-RADIO CONT.

Pos No.	Parts No	Parts Name	Qty	Unit	Technical Data	Serial No (Start)	Serial No (End)
1	36644015010	COVER ASSY (FRONT)	1				
2	36644015020	VALVE,TELESCOPE	1				
3	36644015030	VALVE (WINCH)	1				
4	36644015040	VALVE (ELEVATING)	1				
5	36644015050	VALVE,SWING	1				
6	36633365141	VALVE,CONTROL (JACK 2)	1				
7	36633365151	VALVE,CONTROL (JACK 1)	1				
8	91002905500	O-RING	2		1B G55		
21	36644015060	JOINT	1				
27	36644015070	COVER	1				
28	36644015080	BOX	1				
30	36644015090	HARNESS ASSY (CV)	1				
31	36644015100	RELAY BOX ASSY	1				
32	36644015110	CONNECTOR	1				
33	36644015120	CONNECTOR	3				
34	36644015130	TUBE	3				
35	36644015140	COVER	1				
36	36644015150	URETHANE (ROOL STOCK)	4				
39	36641555090	COVER (BOTTOM)	1				
40	36644015160	HARNESS ASSY (LVDT)	1				
41	36644015170	HARNESS ASSY (SOLENOID)	1				
53	91001101400	O-RING	17		1A P14		
56	91001002600	O-RING	2		S26		
63	36640625240	FILTER	1				
64	91001001800	O-RING	3		S18		
69	91002905500	O-RING	5		1B G55		
70	91001100600	O-RING	23		1A P6		
72	36644015180	VALVE,SOLENOID	1				
87	91002800700	O-RING	1		1B P7		
91	11629431040	PACKING	2				
94	16623320390	TUBE (SEAL)	1				
95	91001102200	O-RING	1		1A P22		
99	91002802100	O-RING	1		1B P21		
105	36644015190	SOLENOID ASSY	1				
109	36642065070	WASHER,SEAL	2				
111	36640625680	TUBE (SEAL)	1				
123	91001102000	O-RING	4		1A P20		
124	91001000800	O-RING	4		S8		
127	91001002240	O-RING	4		S22.4		
128	91650001400	SCRAPER	4				
135	36633365100	SEAL,OIL	8				
136	36633365080	LINK	2				
144	36644015200	SOLENOID ASSY	8				
146	91001002200	O-RING	8		S22		
147	36644015210	LVDT ASSY (1/WITH CORE)	2				
150	36644015220	SHIM (T=0.2)	8				
151	36644015230	SHIM (T=0.3)	8				
156	36644015240	TUBE	4		7B		
167	36644015250	LVDT ASSY (2/WITH CORE)	2				
183	36633365040	CAP (RETURN SPRING)	2				
184	36633365050	SPRING (RETURN)	2				
185	36640625380	SEAT,SPRING	4				
186	36633365060	PLATE (B)	3				
187	36633365070	ADAPTER	2				
190	12635101190	SPRING	2				
191	36633365090	CAP (CHECK VALVE)	2				
194	90131505008	BOLT,HEXAGON SOCKET	6		M5X8		
195	90131505012	BOLT,HEXAGON SOCKET	2		M5X12		
206	82171101000	FUSE (10A.F-7142 5.2X20>	1				
207	82171100300	FUSE (3A.F-7142 5.2X20>	1				
300	36644010000	VALVE,REMOTE CONTROL(T.SANWA)	1				

## TM-Z260 41101110040A FRAME/SL,REMOTE-RADIO CONT.

Pos No.	Parts No	Parts Name	Qty	Unit	Technical Data	Serial No (Start)	Serial
1	36642335030	COVER ASSY,FRONT (WITH UNLOAD VALVE)	1				
2	36640625021	VALVE,TELESCOPING	1				
3	36642335011	VALVE,WINCH	1				
4	36640625041	VALVE,ELEVATING	1				
5	36642335041	VALVE,SWING	1				
6	36642335051	VALVE,JACK 2	1				
7	36642335061	VALVE,JACK 1	1				
15	36640625120	JOINT	1				
16	36640755060	COVER (POTENTIOMETER)	1				
31	36641555090	COVER (BOTTOM)	1				
34	36642065011	BOX ASSY,CONNECTOR	1				
50	36642330001	VALVE,ROMOTE CONTROL(WITH UNLOAD V.)	1				

## TM-Z260 41101110040A FRAME/SL,REMOTE-RADIO CONT.

Pos No.	Parts No	Parts Name	Qty	Unit	Technical Data	Serial No (Start)	Serial No (End)	Remarks
1	91001101400	O-RING	3		1A P14			
5	36640625340	SEAL,CAP	1					
6	91001000800	O-RING	1		S8			
9	91001002240	O-RING	1		S22.4			
10	91650001400	SCRAPER	1					
20	36633365100	SEAL,OIL	1					
29	91001002200	O-RING	2		S22			
36	91001100600	O-RING	5		1A P6			
37	91002905500	O-RING	1		1B G55			
43	36640625511	SOLENOID (S5)	2					
51	36640625650	POTENTIOMETER ASSY	1					
60	36642335041	VALVE,SWING	1					

# TM-Z260 41101110040A FRAME/SL,REMOTE-RADIO CONT.

Pos No.	Parts No	Parts Name	Qty	Unit	Technical Data	Serial No (Start)	Serial No (E
1	36800137010	CASE KIT (UPPER)	1				
3	36800095030	CASE (BATTERY)	1				
4	36800095040	BELT ASSY	1				641936
	36800095041	BELT ASSY	1			641937	
5	36800095020	CASE KIT (LOWER)	1				
6	36800085060	PLATE,NAME	1				
12	36800095050	ANTENNA	1				641859
	36800095051	ANTENNA (FLEXIBLE)	1			641860	
13	36800095060	CASE (RING)	1				
21	36800095080	CASE ASSY (LEVER)	1				
22	36800095070	COVER (BATTERY)	1				
30	36800137000	SWITCH BOX (RADIO CONTROL,T TYPE)	1				

## TM-Z260 41101110040A FRAME/SL,REMOTE-RADIO CONT.

Pos No.	Parts No	Parts Name	Qty	Unit	Technical Data	Serial No (Start)	Serial No (End)	Remarks
2	36060565010	ROD	1					
3	36060565020	PISTON	1					
4	36060565030	SEAT,SPRING	1					
5	36060565040	COVER (SEAL)	1					
6	36060565050	CAP (POTENTIOMETER)	1					
8	36060565070	SPRING (RETURN)	1					
9	80602110380	RING,RITAINING	1		R38			
10	36060565080	RING,STOP	1					
11	91650001400	SCRAPER	2					
12	91001101400	O-RING	3		1A P14			
13	91001102900	O-RING	1		1A P29			
14	91001103400	O-RING	1		1A P34			
20	90101505012	BOLT	2		M5X12			
21	90302040501	WASHER,SPRING	2		5			
26	36060565100	POTENTIOMETER ASSY	1					
50	36060560000	CYLINDER,ACCELERATOR	1					

**TM-Z260 41101110040A FRAME/SL,REMOTE-RADIO CONT.**

Pos No.	Parts No	Parts Name	Qty	Unit	Technical Data	Serial No (Start)	Serial No (End)
1	36800175070	SUPPORT	1				
4	36800175030	CAP	1				
11	36800175080	CABLE ASSY	1		2.2M		
20	36800173000	CABLE,REMOTE CONTROL (T TYPE)	1				

**TM-Z260 41101110040A FRAME/SL,REMOTE-RADIO CONT.**

Pos No.	Parts No	Parts Name	Qty	Unit	Technical Data	Serial No (Start)	Serial No
1	36800335010	ELEMENT,ANTENNA (FLEXIBLE,TYPE A,B)	2				
3	36800615010	ARM (28X300)	1				
4	36800145010	CABLE	1		10M		EY1895
	36800145011	CABLE	1		10M	EY1896	
7	36800145020	WASHER	1				
8	36800145030	NUT	1				
10	36800610000	ANTENNA (FOR RADIO CONTROL)	1				

CLICK HERE TO **DOWNLOAD** THE COMPLETE MANUAL

- Thank you very much for reading the preview of the manual.
- You can download the complete manual from: [www.heydownloads.com](http://www.heydownloads.com) by clicking the link below



- Please note: If there is no response to CLICKING the link, please download this PDF first and then click on it.

CLICK HERE TO **DOWNLOAD** THE COMPLETE MANUAL