

**TM-Z220 31191020120 BOOM/3 SECT.,HOOK-IN**

PZ1000011-02 BOOM SYSTEM (Z250)

PZ1000014-01 BOOM SYSTEM (Z220)

ASSEMBLY

CLICK HERE TO **DOWNLOAD** THE COMPLETE MANUAL

- Thank you very much for reading the preview of the manual.
- You can download the complete manual from: [www.heydownloads.com](http://www.heydownloads.com) by clicking the link below



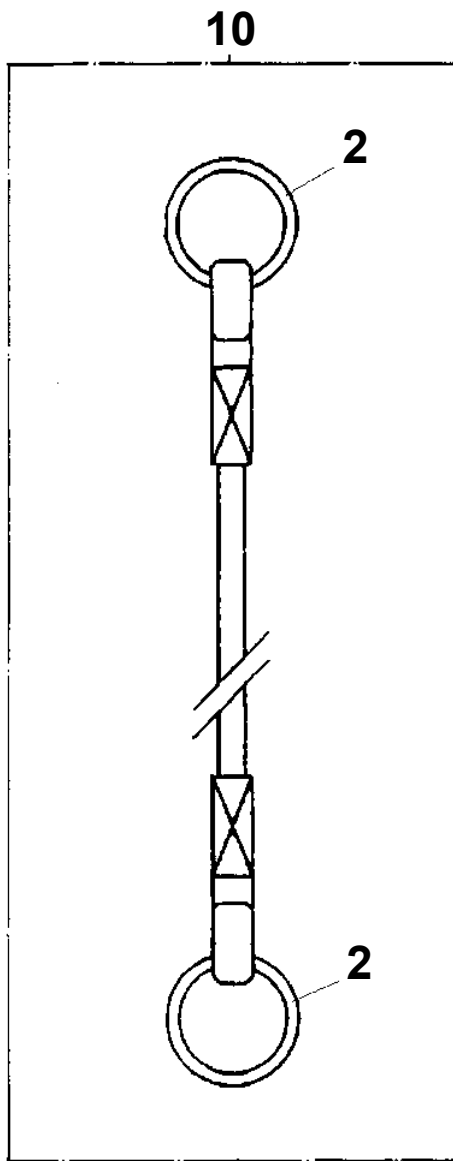
- Please note: If there is no response to CLICKING the link, please download this PDF first and then click on it.

CLICK HERE TO **DOWNLOAD** THE COMPLETE MANUAL

# TM-Z220 31191020120 BOOM/3 SECT.,HOOK-IN

Pos No.	Parts No	Parts Name	Qty	Unit	Technical Data	Serial No (Start)	Serial No (End)	Remarks	P
1	37001803180	ROPE,WIRE (KISWIRE)	1						

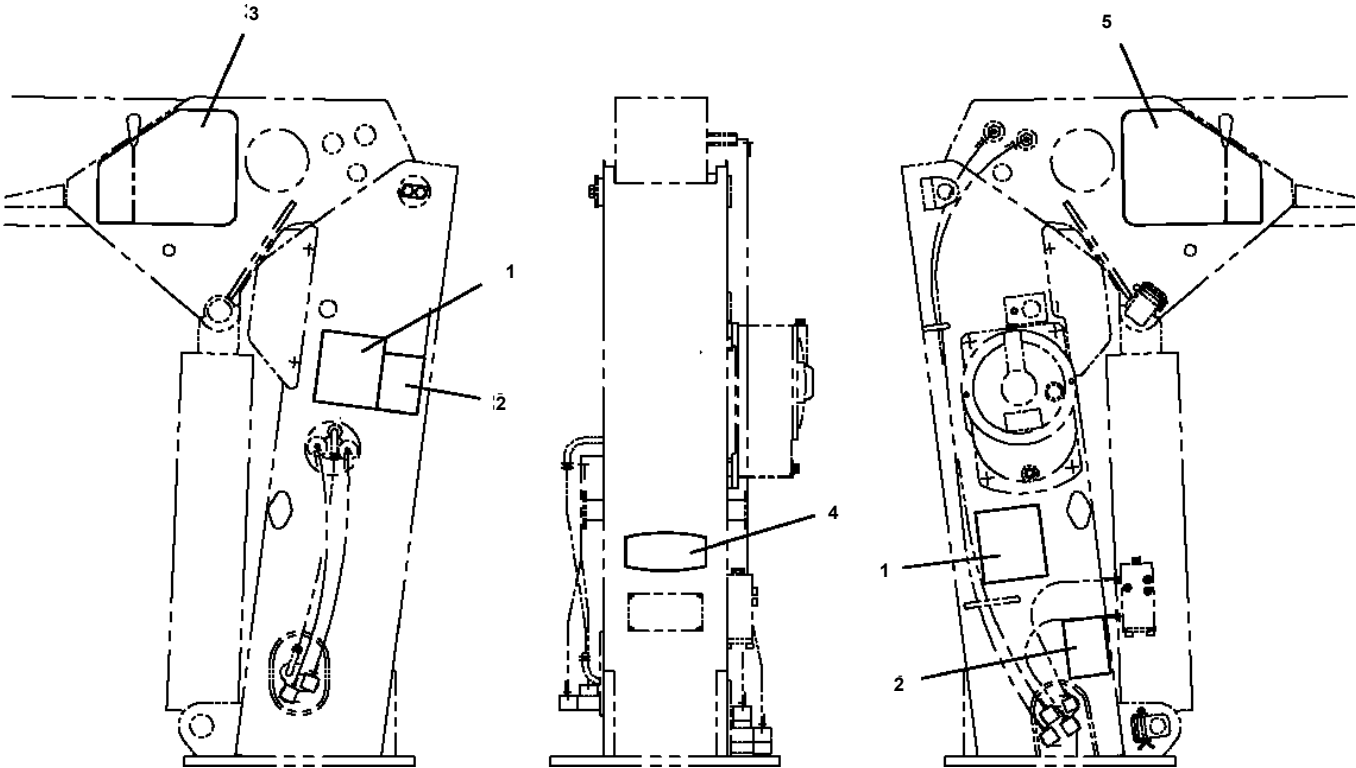
TM-Z220 31191020120 BOOM/3 SECT.,HOOK-IN  
PH1060213-01 DETECTOR,OVER WINDING (ROPE)



# TM-Z220 31191020120 BOOM/3 SECT.,HOOK-IN

Pos No.	Parts No	Parts Name	Qty	Unit	Technical Data	Serial No (Start)	Serial No (End)	Remarks	Pages
1	36682050000	METER,LOAD	1						

**TM-Z220 31191020120 BOOM/3 SECT.,HOOK-IN  
PO1011338-00 PLATE ASSY,NAME (SMALLER TRUCKS)**



CLICK HERE TO **DOWNLOAD** THE COMPLETE MANUAL

- Thank you very much for reading the preview of the manual.
- You can download the complete manual from: [www.heydownloads.com](http://www.heydownloads.com) by clicking the link below



- Please note: If there is no response to CLICKING the link, please download this PDF first and then click on it.

CLICK HERE TO **DOWNLOAD** THE COMPLETE MANUAL