

TM-20110 41043100314A FRAME/REMOTE-RADIO CONT.,5 BOOM
PB000011-02 SYSTEM (TM-2000-1,NORTH AMERICA)
ASSEMBLY

CLICK HERE TO **DOWNLOAD** THE COMPLETE MANUAL

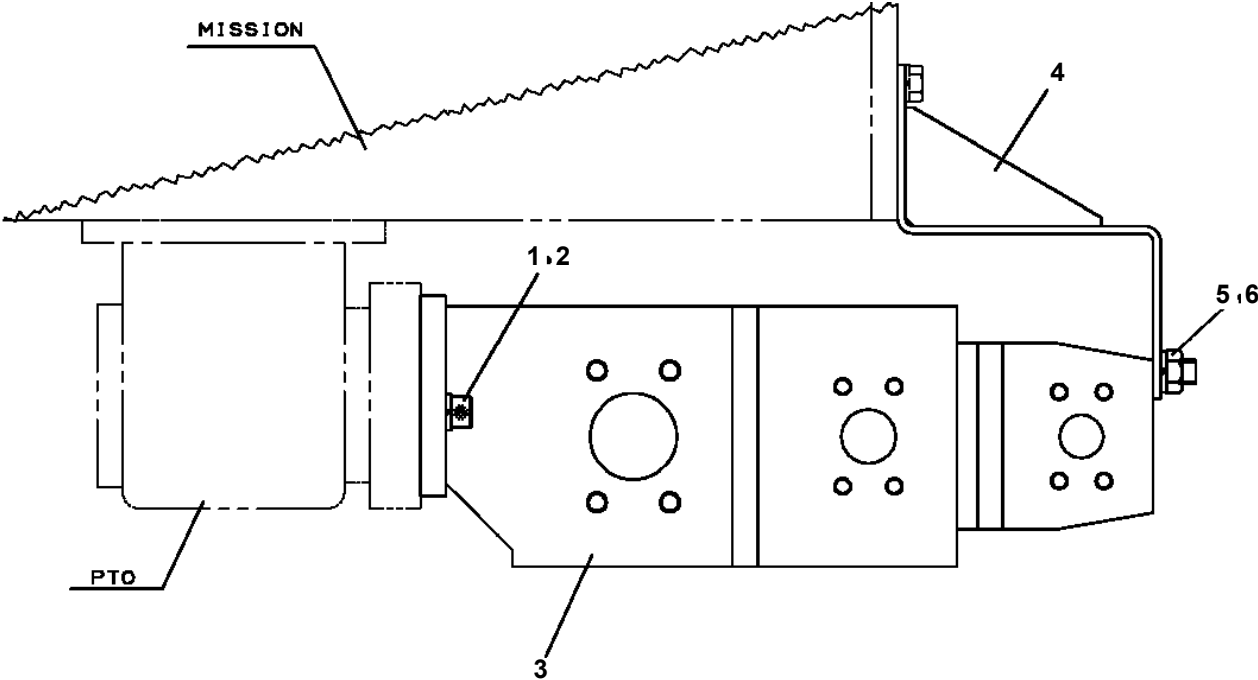
- Thank you very much for reading the preview of the manual.
- You can download the complete manual from: www.heydownloads.com by clicking the link below



- Please note: If there is no response to CLICKING the link, please download this PDF first and then click on it.

CLICK HERE TO **DOWNLOAD** THE COMPLETE MANUAL

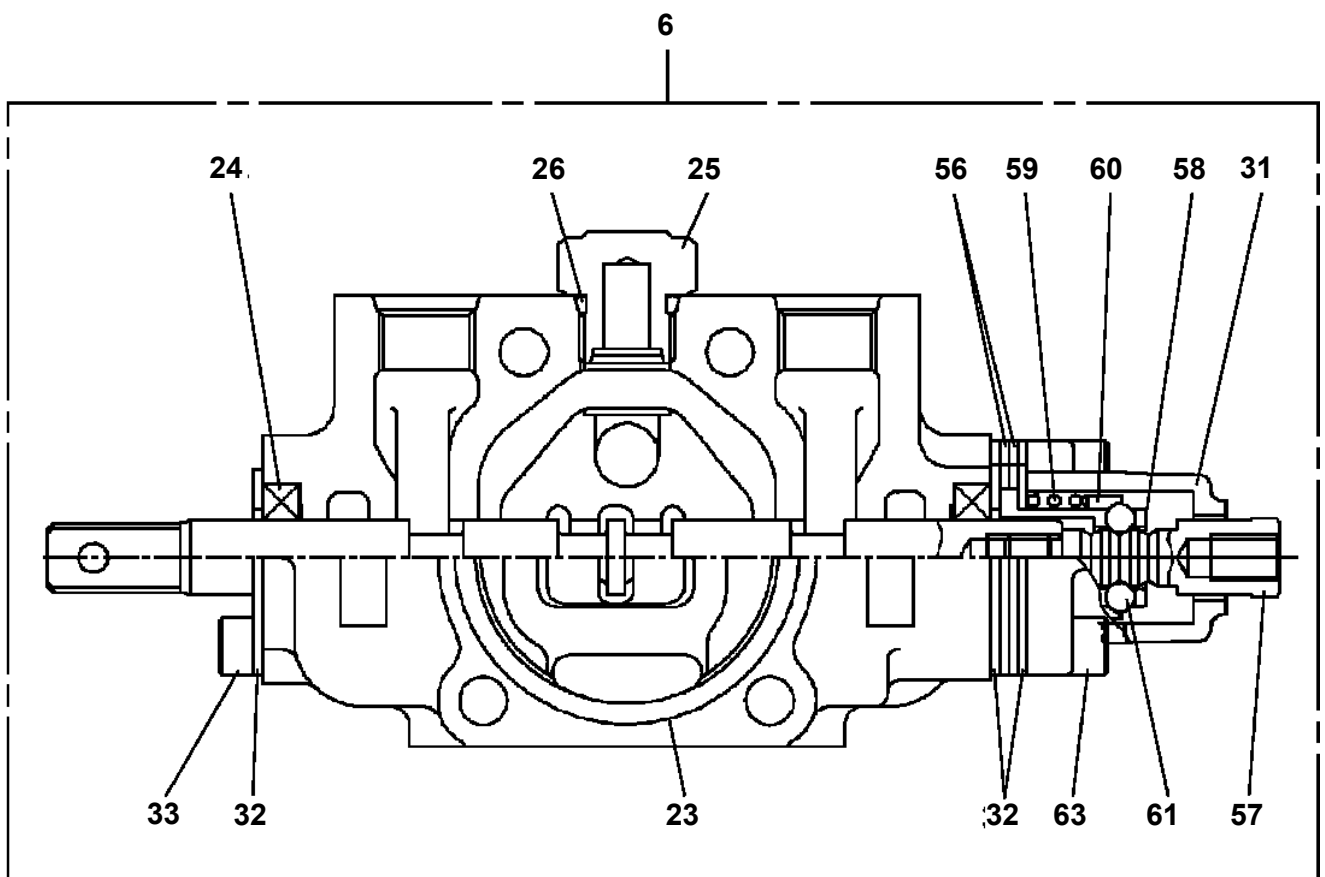
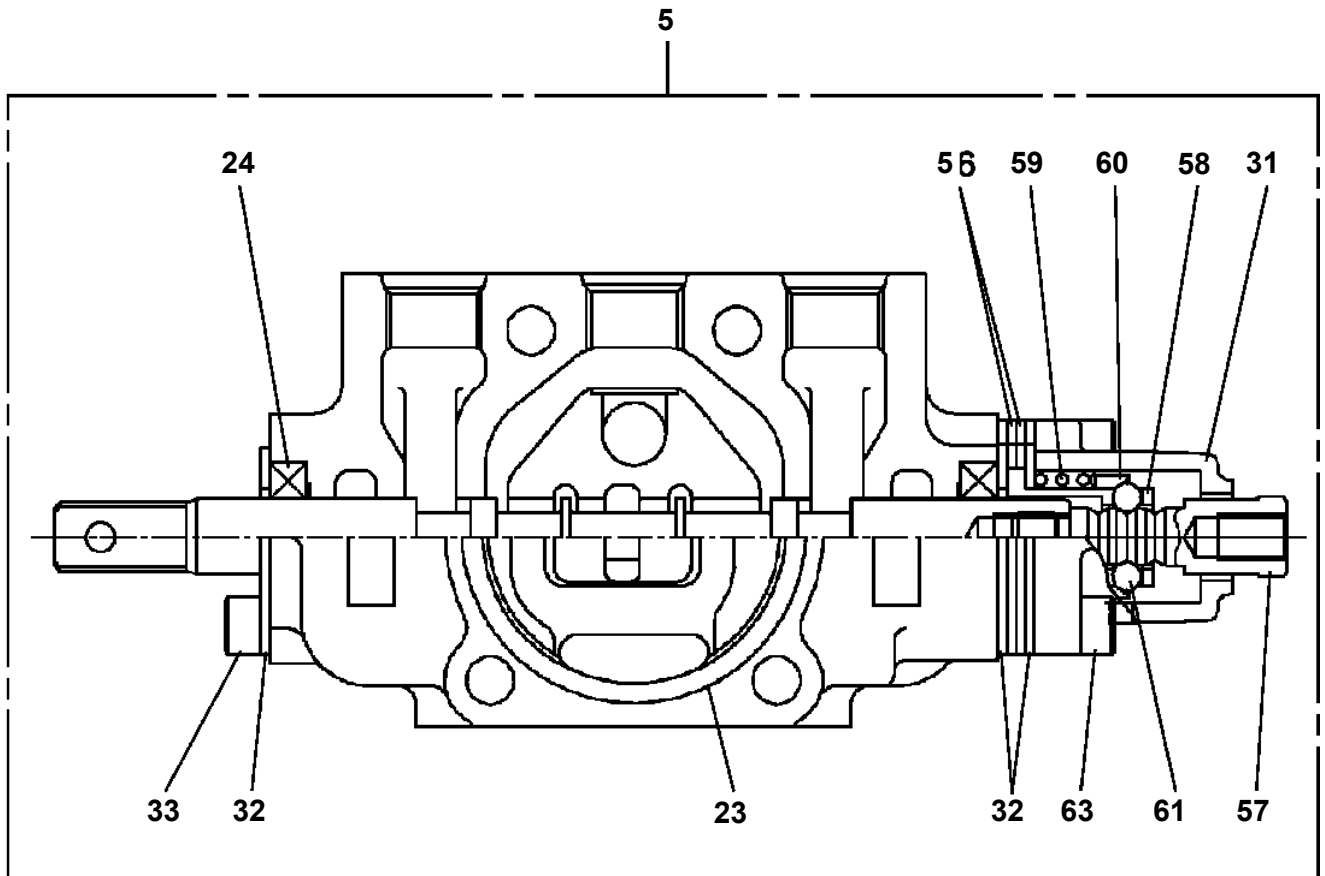
TM-20110 41043100314A FRAME/REMOTE-RADIO CONT.,5 BOOM
PB1100323-01 MOUNT ASSY,PUMP (PTO:CHELEA 489)



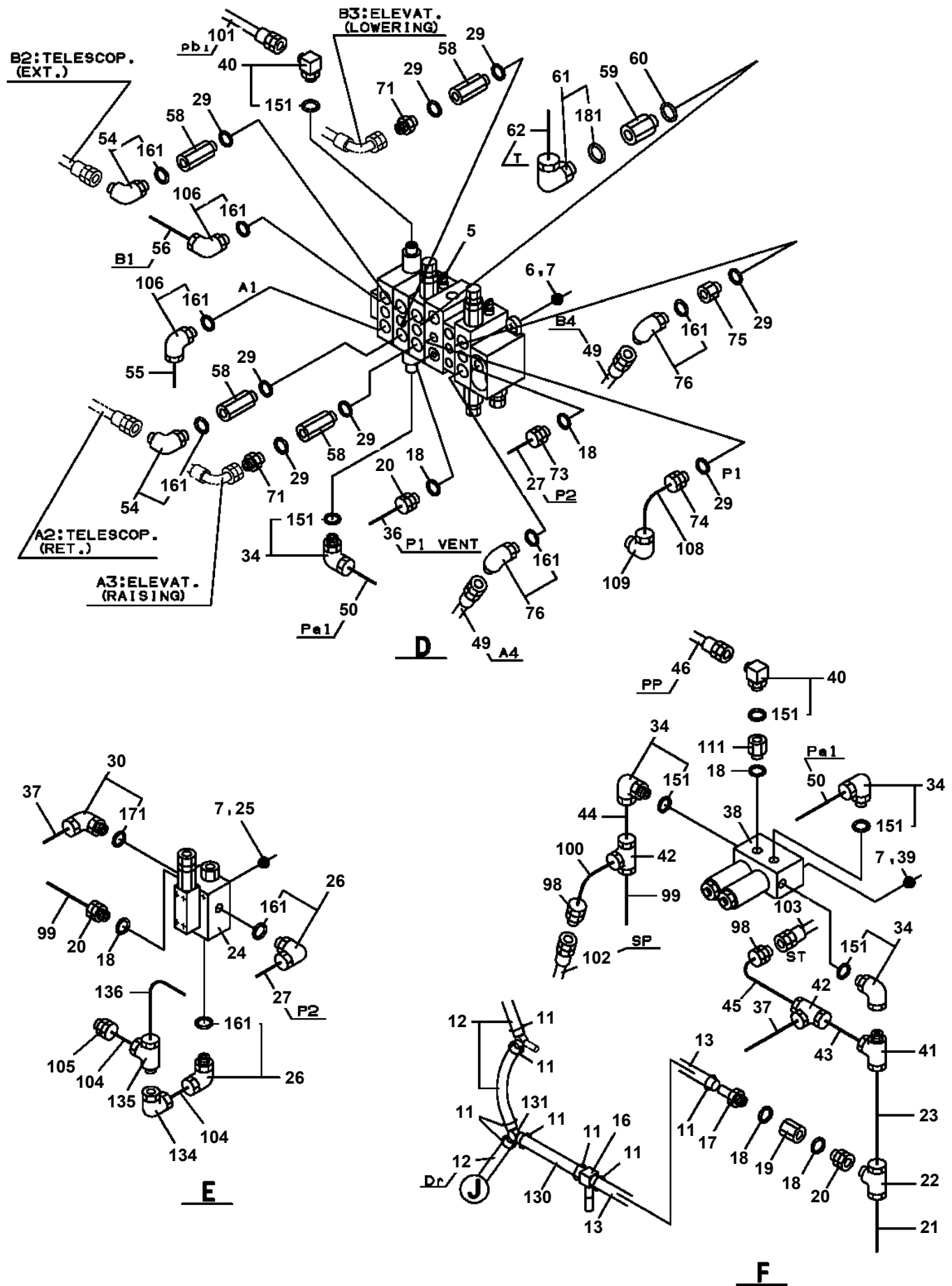
TM-20110 41043100314A FRAME/REMOTE-RADIO CONT.,5 BOOM

Pos No.	Parts No	Parts Name	Qty	Unit	Technical Data	Serial No (Start)	Serial No (End)	Remarks	Pa
1	31631741000	JOINT,SWIVEL	1				EX0309		
	31631741002	JOINT,SWIVEL	1			EX0310	EX0361		
	31631741003	JOINT ASSY,SWIVEL	1			EX0362			
3	90171114035	BOLT	4		M14X35				
4	90302041401	WASHER,SPRING	4		14				
5	31631740100	SUPPORT	1				EX0326		
	31631740101	SUPPORT	1			EX0327			
6	90171112020	BOLT	4		M12X20				
7	90302041201	WASHER,SPRING	4		12				
21	31631741100	BODY	1				EX0309		
	31631741102	BODY	1			EX0310			
22	31631741200	CORE	1				EX0361		
	31631741201	CORE	1			EX0362			
23	31631061000	RING,SLIP	1				EX0382		
	31631803000	RING ASSY,SLIP	1			EX0383			000
24	31631741500	BEARING,PLAIN	1						
25	37000404380	BEARING,PLAIN	1						
26	31631741300	PLATE	1						
27	31631741400	PLATE	1						
28	91531214000	PACKING	2						
29	91100514000	SEAL,RING	11						
30	90151200100	BOLT,EYE	2		M10				
31	90102208030	BOLT	4		M8X30				
32	90302040801	WASHER,SPRING	10		8				
33	90303070801	WASHER,PLAIN	10		8				
34	90180208016	BOLT,BUTTON	2		M8X16				
35	90180208010	BOLT,BUTTON	4		M8X10				
36	90180104010	BOLT,BUTTON	4		M4X10				
37	90102208016	BOLT	4		M8X16				
38	82456101000	NIPPLE,GREASE	1		A-PT1/8				
39	82458202000	NIPPLE,GREASE	1		B-TYPE PT1/8				
40	16715401000	NIPPLE	1						
41	16715403000	SLEEVE	2						
42	16715404000	NIPPLE	2						
43	31631741600	PIPE	1				EX0091		
	31631741650	PIPE	1			EX0092	EX0309		
	31631741652	PIPE	1			EX0310			
44	16715402000	FITTING,ELBOW	1						
45	82114203020	CONNECTOR (CAP)	1						
46	82121502020	PLATE	1						
47	82114203030	CONNECTOR (CAP)	1						
48	82121502030	PLATE	1						
49	82100002855	CAP	2						
50	80316090060	PLUG	3		KKT PT3/8				
51	80316090080	PLUG SOCKET	2		R1/2				
52	80316090040	PLUG SOCKET	2		R1/4				
53	90302040401	WASHER,SPRING	4		4				
54	90303070401	WASHER,PLAIN	4		4				
55	82400000459	CAP	2						
56	31631741700	COVER	1						
61	80400160134	JOINT	4						
62	91002802900	O-RING	4		1B P29				
63	80316070100	PLUG	4		G3/4				
64	91002802400	O-RING	8		1B P24				
65	37000913850	JOINT (WITH O-RING)	4		L,G3/4-G1/2				
66	80430620800	JOINT	4						
67	80430620400	JOINT	2						
68	80316070040	PLUG	2		PF1/4				
69	91002801100	O-RING	2		1B P11		EX0309		
	91002801100	O-RING	4		1B P11				
	91002801100	O-RING	2		1B P11	EX0310			
70	80400160190	JOINT (WITH O-RING)	2						
71	37000919710	JOINT,BUSHING	2						

TM-20110 41043100314A FRAME/REMOTE-RADIO CONT.,5 BOOM
PB1320605-00 VALVE,MANUAL CONTROL



**TM-20110 41043100314A FRAME/REMOTE-RADIO CONT.,5 BOOM
PB1411720-02 PIPING,LOWER**

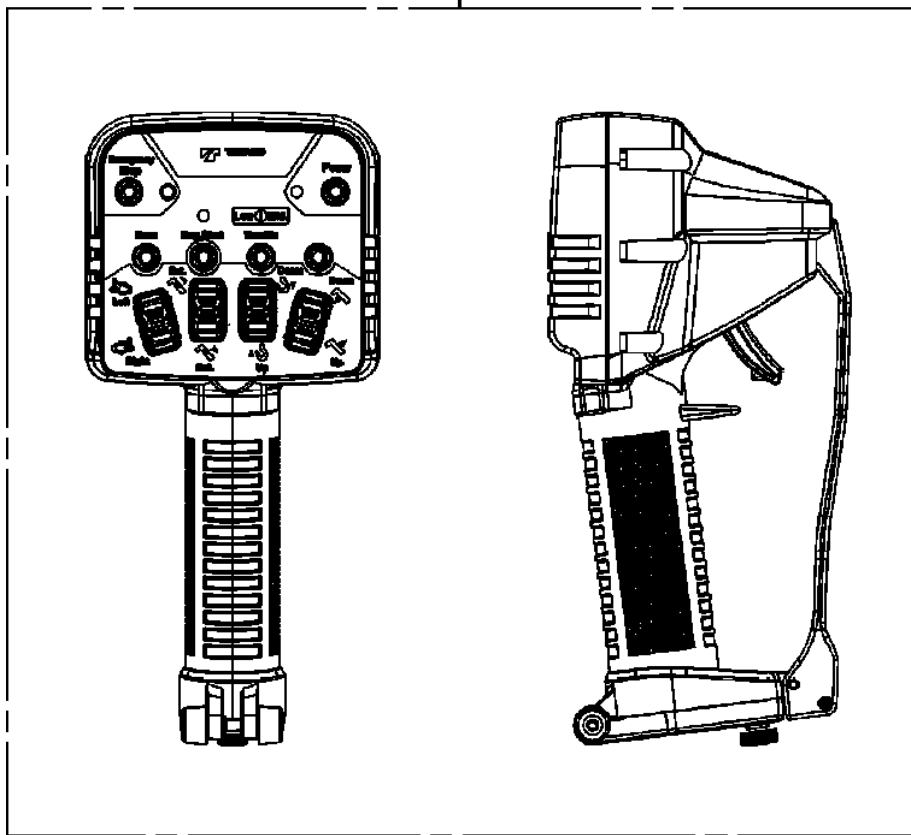


TM-20110 41043100314A FRAME/REMOTE-RADIO CONT.,5 BOOM

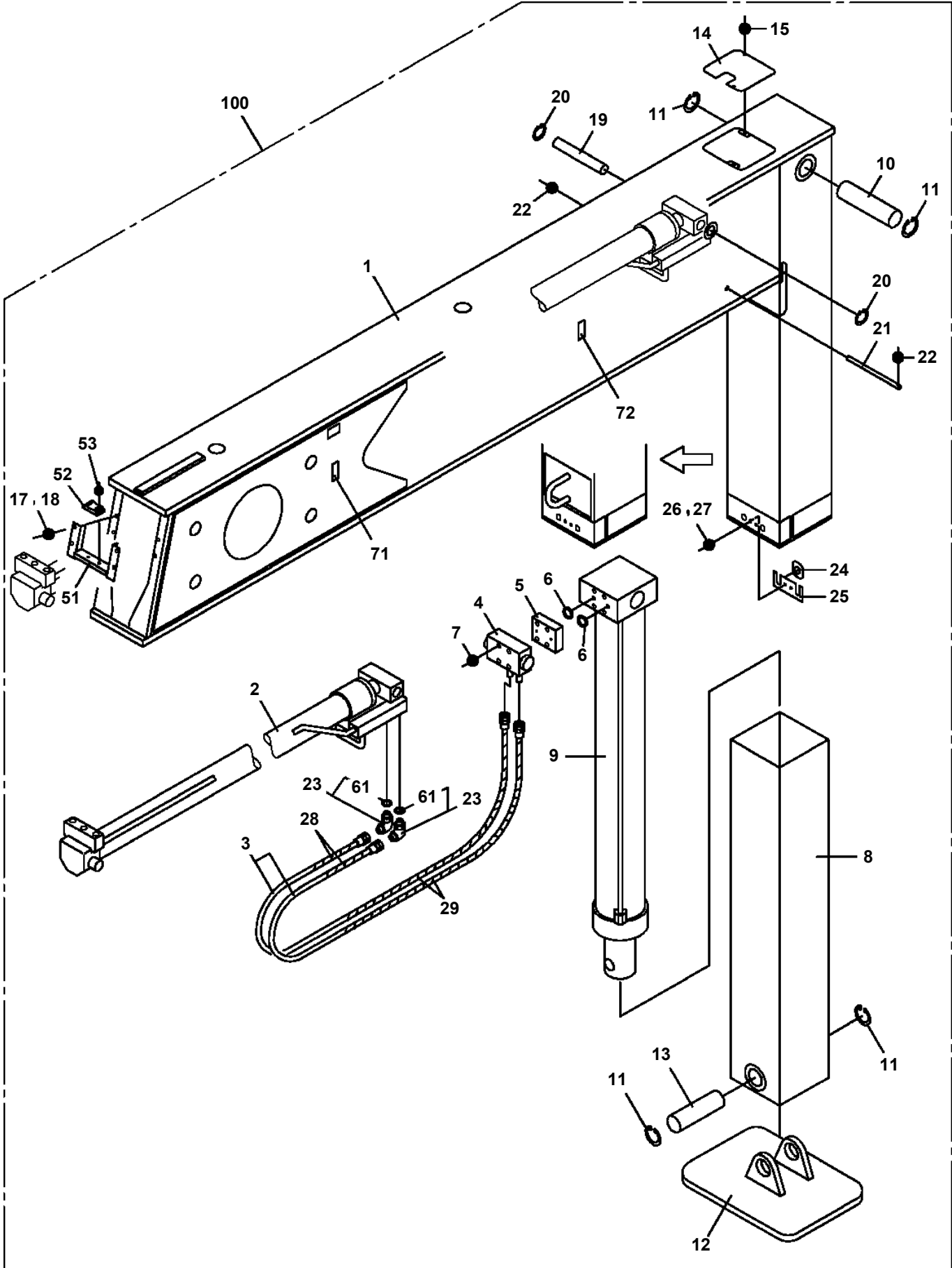
Pos No.	Parts No	Parts Name	Qty	Unit	Technical Data	Serial No (Start)	Serial No (End)
1	36638370000	VALVE,MANUAL CONTROL	1				
2	90101212050	BOLT	4		M12X50		
3	90201201200	NUT	4		M12		
4	90302041201	WASHER,SPRING	4		12		
5	36638250000	VALVE,MANUAL CONTROL	1				
6	90171108035	BOLT	3		M8X35		
7	90302040801	WASHER,SPRING	16		8		
8	91002801400	O-RING	1		1B P14		
9	37000925860	JOINT	1				
10	80400160190	JOINT (WITH O-RING)	2				
11	91803600200	CLIP	8		D=13-20		
12	37002512340	HOSE	2		L=1250		
13	37002512730	HOSE	1		L=850		
14	31648110250	PLATE	1				
16	31643781100	JOINT	1				
17	31644591300	JOINT	1				
18	91002801100	O-RING	18		1B P11		EX0239
	91002801100	O-RING	19		1B P11	EX0240	
19	37000929420	JOINT	1		S,G1/4-G1/4		
20	80302090101	FITTING	5		KCO10-020N		
21	81408000100	PIPE,STEEL	1	M	10X1.2T		
22	80305140100	FITTING,TEE	1				
23	81408000100	PIPE,STEEL	1	M	10X1.2T		
24	36603880000	VALVE,SEQUENCE	1				
25	90101208065	BOLT	2		M8X65		
26	80303130201	FITTING,ELBOW	3		KLO15-040E		
27	81408000210	PIPE,STEEL	1	M	15X2.0T		
28	37005700040	CLAMP	1		18X1		
29	91002801800	O-RING	11		1B P18		
30	80303130121	FITTING,ELBOW (WITH O-RING)	1		KLO10-030E		
31	31648110201	PLATE	1				
32	36740200000	VALVE,SOLENOID	1				
33	90101208025	BOLT	2		M8X25		
34	80303130101	FITTING,ELBOW	12		KLO10-020E		
35	80316070040	PLUG	1		PF1/4		
36	81408000100	PIPE,STEEL	1	M	10X1.2T		
37	81408000100	PIPE,STEEL	1	M	10X1.2T		
38	36740190000	VALVE,SOLENOID	1				
39	90101208014	BOLT	7		M8X14		
40	80430620400	JOINT	9				
41	80305100100	FITTING,TEE	2		KCT10-000N		
42	80305010080	FITTING,TEE	1		KTA10-000N		
43	81408000100	PIPE,STEEL	1	M	10X1.2T		
44	81408000100	PIPE,STEEL	1	M	10X1.2T		
45	81408000100	PIPE,STEEL	1	M	10X1.2T		
46	37002479810	HOSE	1		L=1700		
47	91002802400	O-RING	4		1B P24		
48	37000912090	JOINT	2				
49	37002435020	HOSE	2		L=1350		
50	81408000100	PIPE,STEEL	1	M	10X1.2T		
51	36740210000	VALVE,SOLENOID	1				
52	90101210025	BOLT	5		M10X25		
53	90302041001	WASHER,SPRING	16		10		
54	80430620800	JOINT	3				
55	81408000241	PIPE,STEEL	2	M	18X1.9T		
56	81408000241	PIPE,STEEL	1	M	18X1.9T		
57	80302090141	FITTING	3		KCO12-020N		EX0239
	80302090141	FITTING	4		KCO12-020N	EX0240	
58	37000926040	JOINT	4				
59	37000930200	JOINT	1		S,G1-G1		
60	91002802900	O-RING	4		1B P29		
61	80303130321	FITTING,ELBOW	3		KLO28-080E		
62	81408000341	PIPE,STEEL	1	M	28X3.1T		

TM-20110 41043100314A FRAME/REMOTE-RADIO CONT.,5 BOOM
PB5280004-00 BOX,OPERATION

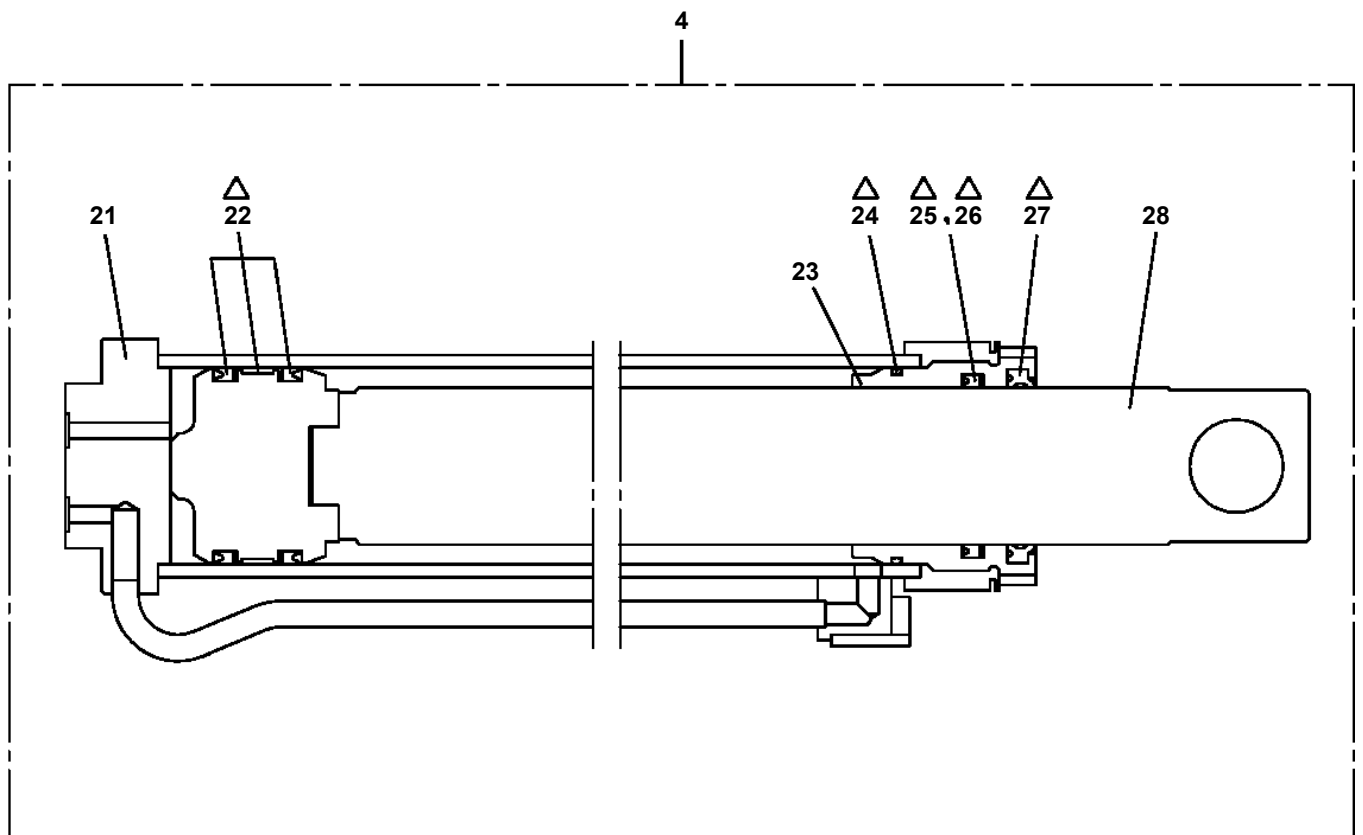
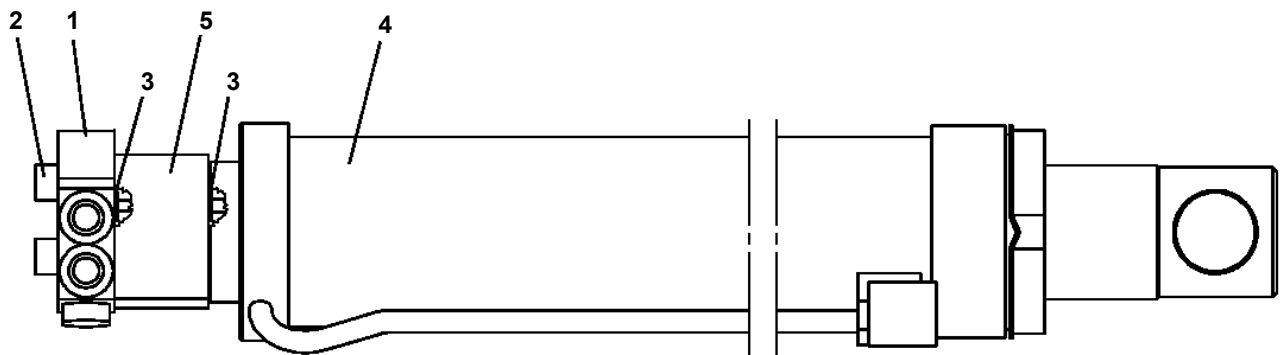
100



TM-20110 41043100314A FRAME/REMOTE-RADIO CONT.,5 BOOM
PC1011497-00 OUTRIGGER ASSY



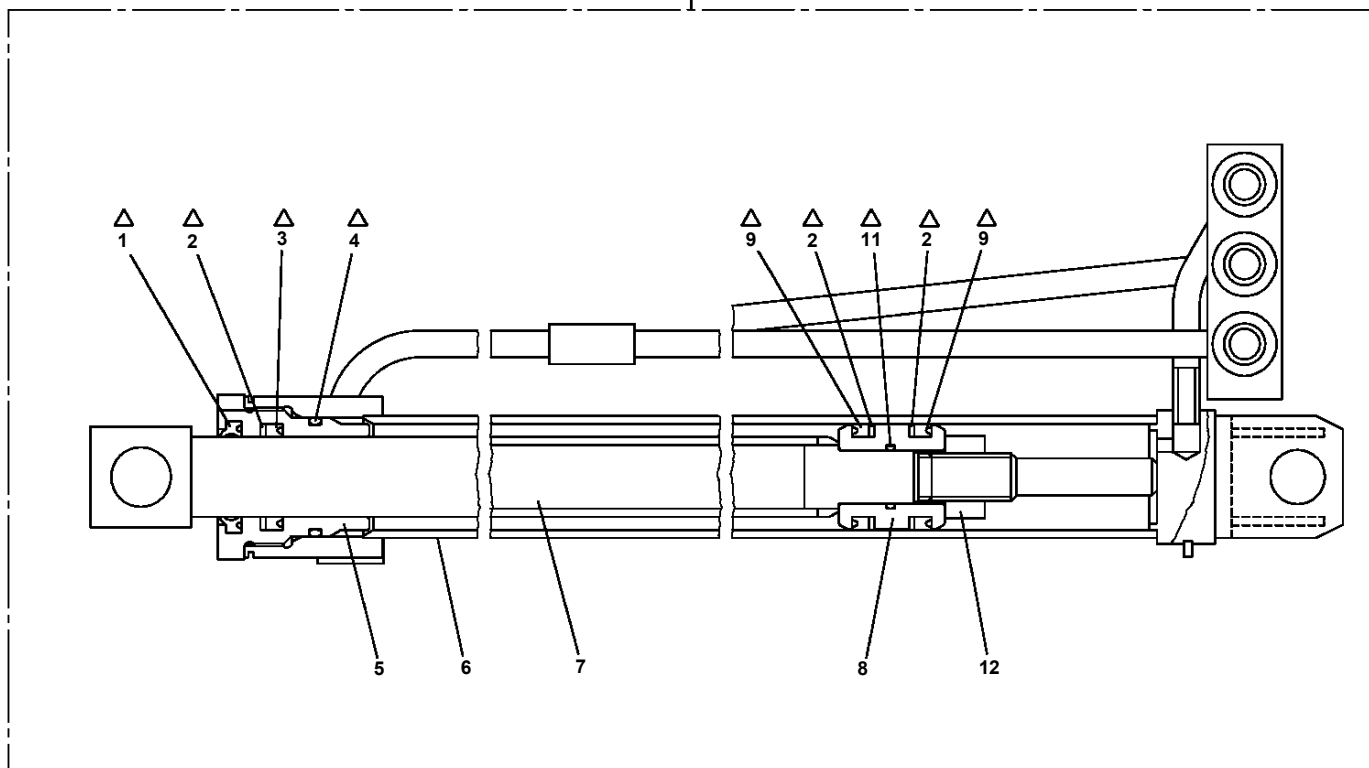
TM-20110 41043100314A FRAME/REMOTE-RADIO CONT.,5 BOOM
PC1030378-01 CYLINDER,JACK



△:PACKING SET KEY NO.40 (KEY NO.22,24,25,26,27)

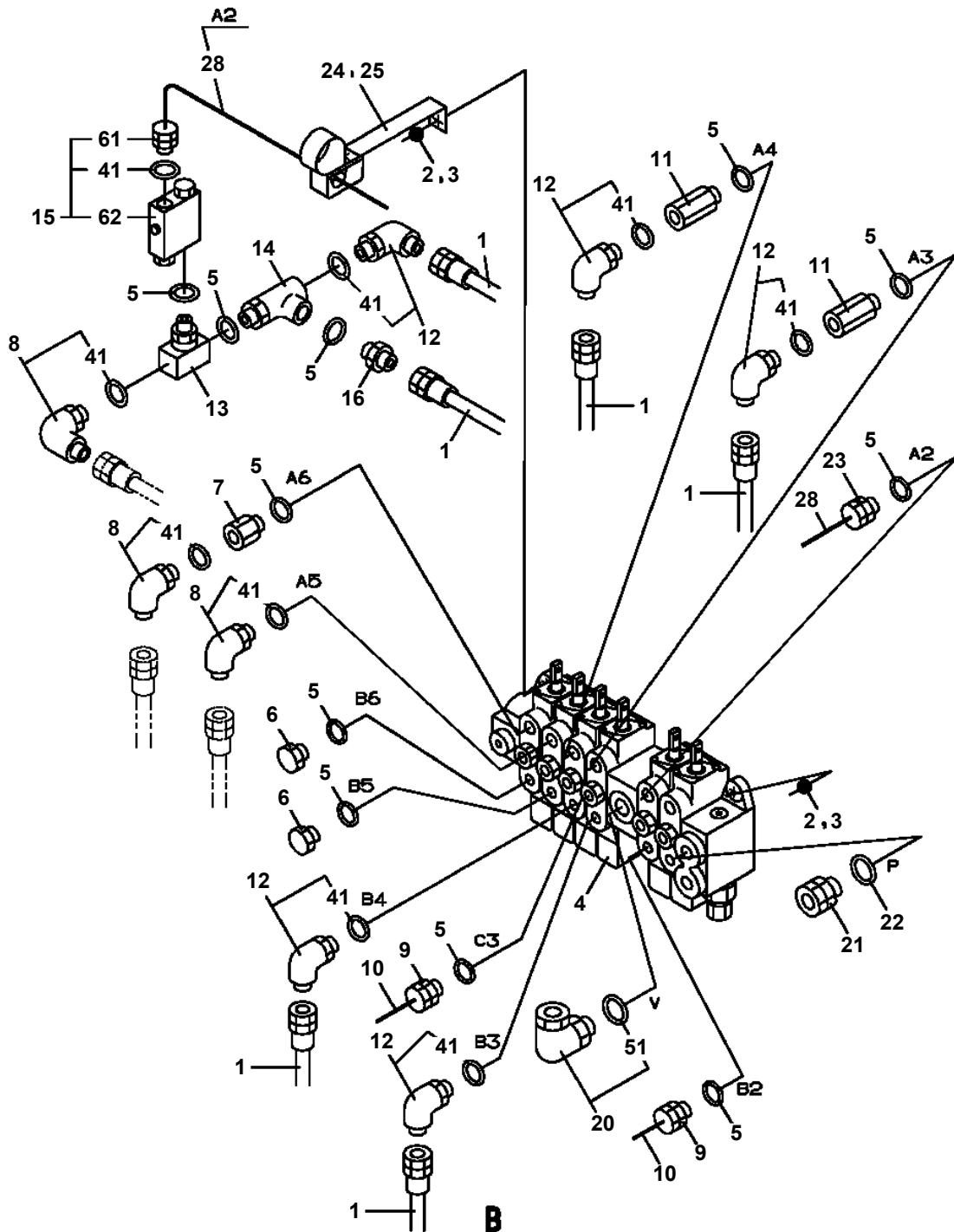
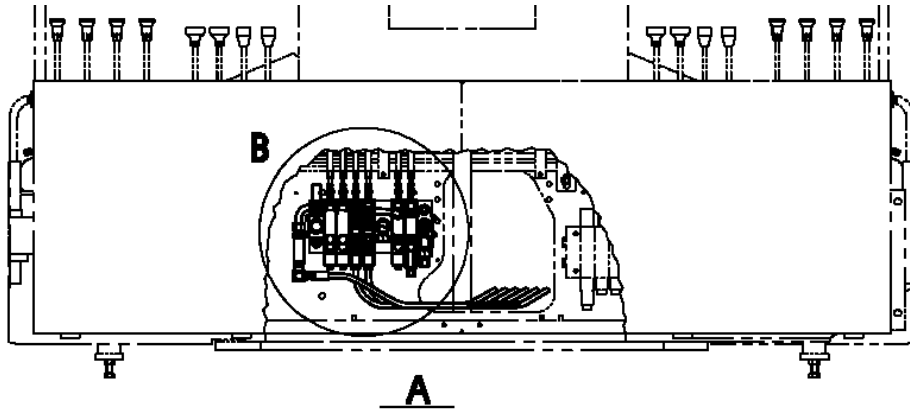
TM-20110 41043100314A FRAME/REMOTE-RADIO CONT.,5 BOOM
PC1050235-00 CYLINDER,EXTENSION (REAR,LEFT)

50



Δ:PACKING SET KEY NO.30 (KEY NO.1,2,3,4,9,11)

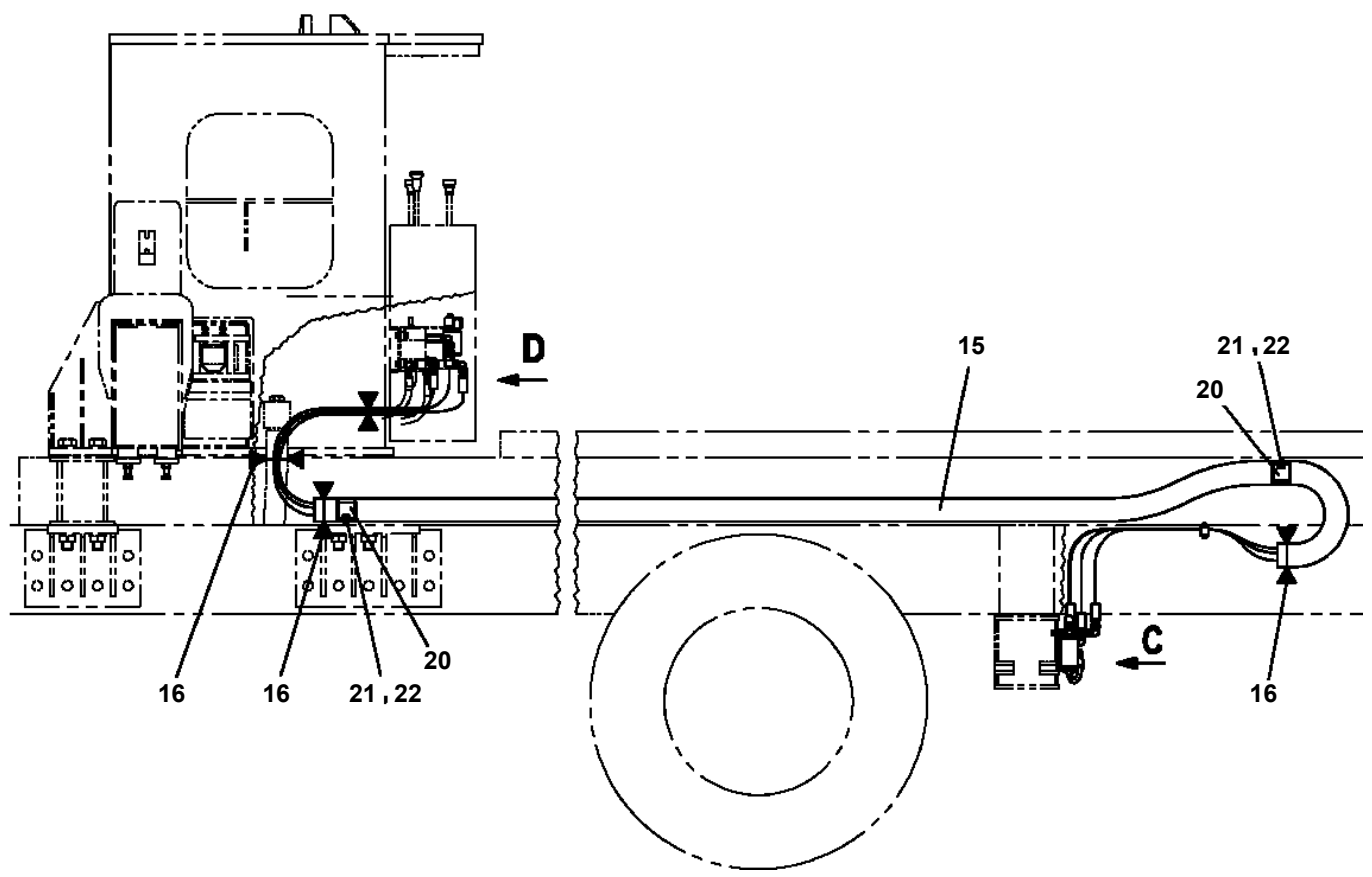
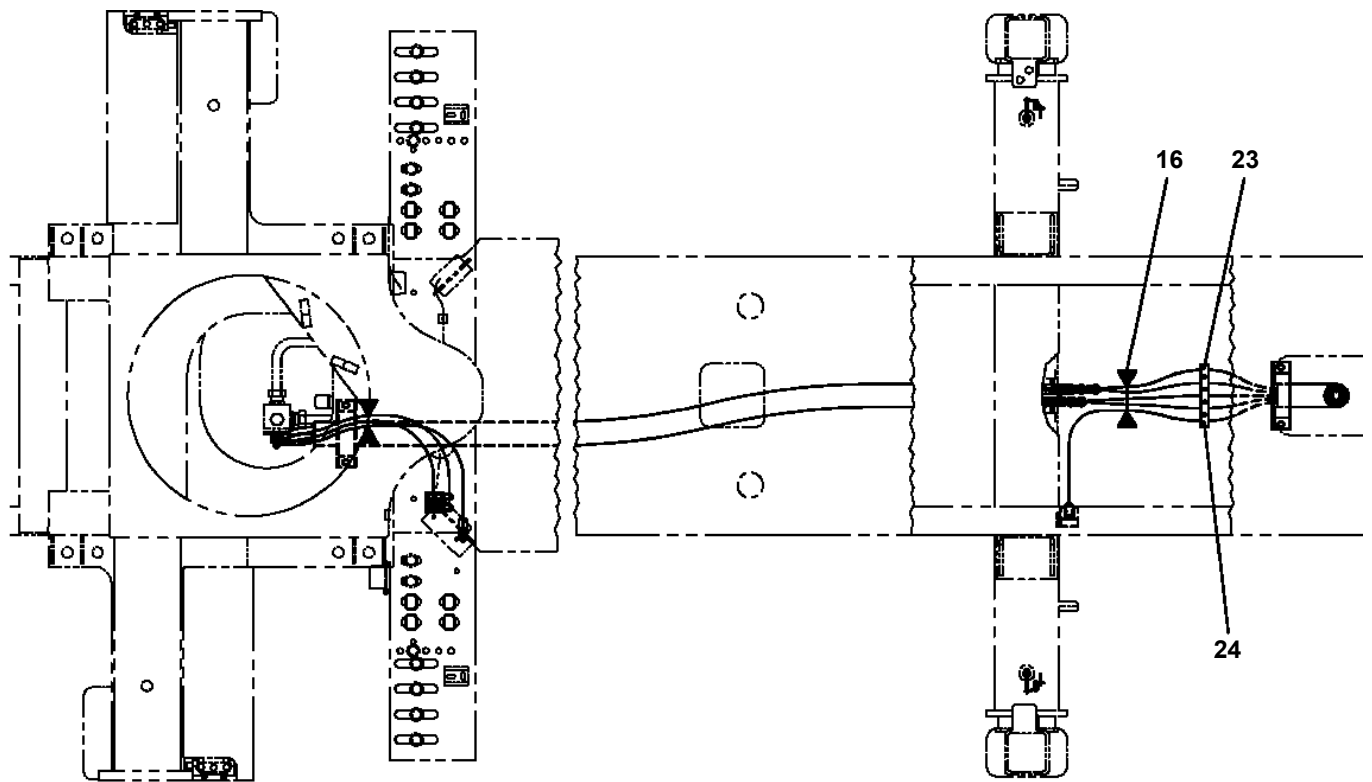
TM-20110 41043100314A FRAME/REMOTE-RADIO CONT.,5 BOOM
PC1200574-01 PIPING,OUTRIGGER (FRONT)



TM-20110 41043100314A FRAME/REMOTE-RADIO CONT.,5 BOOM

Pos No.	Parts No	Parts Name	Qty	Unit	Technical Data	Serial No (Start)	Serial No (End)	Remarks	Pa
1	37002487460	HOSE	1		L=7600				
2	37002487450	HOSE	4		L=7800				
3	37002479800	HOSE	1		L=400				
4	37002467520	HOSE	1		L=330				
5	37000926260	JOINT	2						
6	37000922070	JOINT	3		S,G1/4-G1/4				
7	80481102030	JOINT	4		L G1/4-G3/8				
8	80430620400	JOINT	2						
9	80400160128	JOINT	2		S,G3/8-G1/4				
10	80471020503	JOINT	1		45,G3/8-G3/8				
11	91002801400	O-RING	5		1B P14				
12	91002801100	O-RING	10		1B P11				
13	42476560300	JOINT	1						
14	90186208014	BOLT,FLANGE	2		M8X14				
15	31480335100	COVER	1						
16	91810130270	FASTENER	12						
17	80430620600	JOINT (WITH O-RING)	2		L,G3/8-G3/8				
18	37000929000	JOINT	2						
19	37000920960	JOINT	1						
31	91002801100	O-RING	2		1B P11				
41	91002801400	O-RING	2		1B P14				

TM-20110 41043100314A FRAME/REMOTE-RADIO CONT.,5 BOOM
PC1230053-00 PIPING,REAR JACK



TM-20110 41043100314A FRAME/REMOTE-RADIO CONT.,5 BOOM

Pos No.	Parts No	Parts Name	Qty	Unit	Technical Data	Serial No (Start)	Serial No (End)	Remarks	Page
1	31613433000	JACK ASSY,FRONT	1				EX0321		0000
	31613433001	JACK ASSY,FRONT	1			EX0322	EX0326		0000
	31613433002	JACK ASSY,FRONT	1			EX0327			0000
21	31613432000	SUPPORT ASSY	1				EX0321		
	31614211000	SUPPORT ASSY	1			EX0322			
22	90171112060	BOLT	6		M12X60				
23	90201781200	NUT	6		M12				
24	90303501201	WASHER,PLAIN	12		12				
25	31613430210	SUPPORT	2						
26	31613430220	SUPPORT	1						
27	31613432200	PIN	1						
28	37000201100	PIN,SNAP	1						
29	90101210016	BOLT	2		M10X16				
30	90302041001	WASHER,SPRING	2		10				
31	90101206016	BOLT	1		M6X16	EX0330			
41	31613432100	SUPPORT	1				EX0321		
	31614211100	SUPPORT	1			EX0322			
42	42264095500	PLATE	1						
43	37000185570	PIN	2						
44	37000205860	PIN,SNAP	2						

TM-20110 41043100314A FRAME/REMOTE-RADIO CONT.,5 BOOM

Pos No.	Parts No	Parts Name	Qty	Unit	Technical Data	Serial No (Start)	Serial No (End)	Remarks
1	31612502001	COVER	1					
2	80189305008	SCREW,MACHINE	2		M5X8			
3	31613431002	CASE,OUTER	1					
4	31613430501	CASE,INNER	1					
5	(*****)	CYLINDER,FRONT JACK	1					
6	31613421600	FLOAT	1					
7	37000150760	PIN	1					
8	80602110350	RING,RITAINING	2		R35			
9	31201770100	PLATE,SLIDE	2		T=3.0			
10	31612502100	PLATE	1					
11	90180206012	BOLT,BUTTON	2		M6X12			
12	90302040601	WASHER,SPRING	2		6			
13	90174110025	BOLT	2		M10X25			
14	37000572180	PLATE	2					
15	99183705012	BOLT,HEXAGON SOCKET	2		M5X12			

TM-20110 41043100314A FRAME/REMOTE-RADIO CONT.,5 BOOM

Pos No.	Parts No	Parts Name	Qty	Unit	Technical Data	Serial No (Start)	Serial No (End)	Remarks
1	37002305110	BEARING,SWING	1					
2	37001507120	BOLT	30		M20X70			
3	90303502001	WASHER,PLAIN	30		20			
4	37001506760	BOLT	30		M22X90			
5	90303502201	WASHER,PLAIN	30		22			
6	36081690000	SWING ASSY	1					
7	90171118055	BOLT	8		M18X55			
8	90303501805	WASHER,PLAIN	8		18			
9	82401800100	PLUG (FOR M10)	1					
10	82401800080	PLUG (FOR M8)	2					
11	82401800180	PLUG	6		FOR M18			
31	36081691000	REDUCER,SWING SPEED	1					
32	36663650000	MOTOR,HYDRAULIC	1					

TM-20110 41043100314A FRAME/REMOTE-RADIO CONT.,5 BOOM

Pos No.	Parts No	Parts Name	Qty	Unit	Technical Data	Serial No (Start)	Serial No (End)
1	36073605010	BRACKET	1				
2	59457138000	PLUG ASSY	1				
3	91001100800	O-RING	2		1A P8		
5	80316090020	PLUG	2		KKT PT1/8		
6	80602112400	RING,RETAINING	1				
7	91001223000	O-RING	1		1A G230		
8	91280349051	SEAL,OIL	1				
9	80602112150	RING,SNAP	1				
11	36073605210	RING,THRUST	2				
12	36070845230	RING,THRUST	3				
13	36073605120	GEAR,PLANETARY	3				
14	36071915210	BEARING,NEEDLE	3				
15	36073605220	PLUG	3				
16	91001101400	O-RING	3		1A P14		
17	36073325310	RING,THRUST	3				
19	80601110300	RING,RITAINING	3		S30		
20	90172112035	BOLT,HEXAGON SOCKET	8		M12X35		
21	80513006214	BEARING,BALL	1				
22	36662245130	RING,THRUST	2				
23	36073605030	HOUSING	1				
24	36073605040	GEAR,SUN	1				
25	36073601000	DRUM	1				
26	36073605140	PLATE,THRUST	1				
27	36073605150	GEAR,SUN	1				
29	36073605050	GEAR,INTERNAL	1				
32	36072705320	RING,THRUST	1		GS81107		
33	80500006211	BEARING,BALL	1				
34	80500006834	BEARING,BALL	1				
36	36073605230	RING,RETAINING	1				
37	90172114035	BOLT,HEXAGON SOCKET (DACRO)	22		M14X35		
38	91001218000	O-RING	1		1A G180		
39	36072555100	SPRING	16		TH18X25		
40	80500006208	BEARING,BALL	1				
41	36073605060	SHAFT (INPUT)	1				
42	36072555120	PISTON	1				
43	36073605240	WASHER	16				
44	91002914500	O-RING	1		1B G145		
45	91411114500	RING,BACKUP	1				
46	91002912000	O-RING	1		1B G120		
47	91411112000	RING,BACKUP	1				
51	90172114050	BOLT,HEXAGON SOCKET	2				
101	36073605510	CARRIER ASSY (A)	1				
102	36073605520	CARRIER ASSY (B)	1				
103	36073605530	SPINDLE ASSY	1				
104	36072715540	BRAKE,PLATE	1				
200	36073600000	WINCH	1				

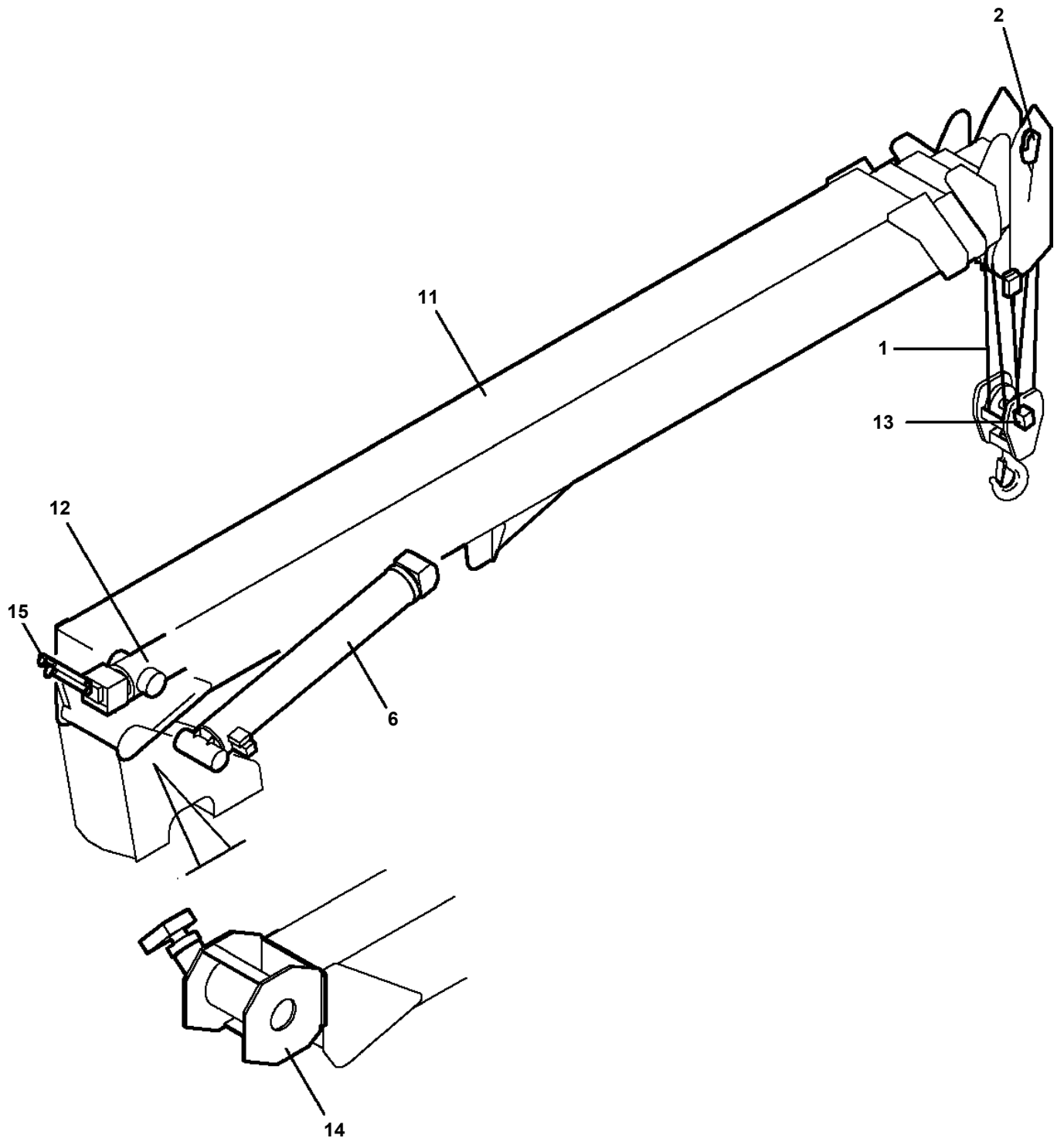
TM-20110 41043100314A FRAME/REMOTE-RADIO CONT.,5 BOOM

Pos No.	Parts No	Parts Name	Qty	Unit	Technical Data	Serial No (Start)	Serial No (End)	Remarks
1	36073670000	WINCH	1					
2	90171114040	BOLT	8		M14X40			
3	90302041401	WASHER,SPRING	8		14			
4	37002600541	WEDGE	1		14-2			
5	36073672000	COVER	1					
6	90101212018	BOLT	4		M12X18			
7	90303071201	WASHER,PLAIN	6		12			
8	90302041201	WASHER,SPRING	6		12			
9	31311490100	SUPPORT	1					
10	90101212030	BOLT	2		M12X30			
11	90172114020	BOLT,HEXAGON SOCKET	2		M14X25			
12	90172112020	BOLT,HEXAGON SOCKET	2		M12X20		EX0405	
13	90302401401	WASHER,SPRING (14)	2					
14	90302401201	WASHER,SPRING (12)	2				EX0405	
15	31311490200	PLATE	1					
22	82401800120	PLUG (FOR M12)	2			EX0406		

TM-20110 41043100314A FRAME/REMOTE-RADIO CONT.,5 BOOM

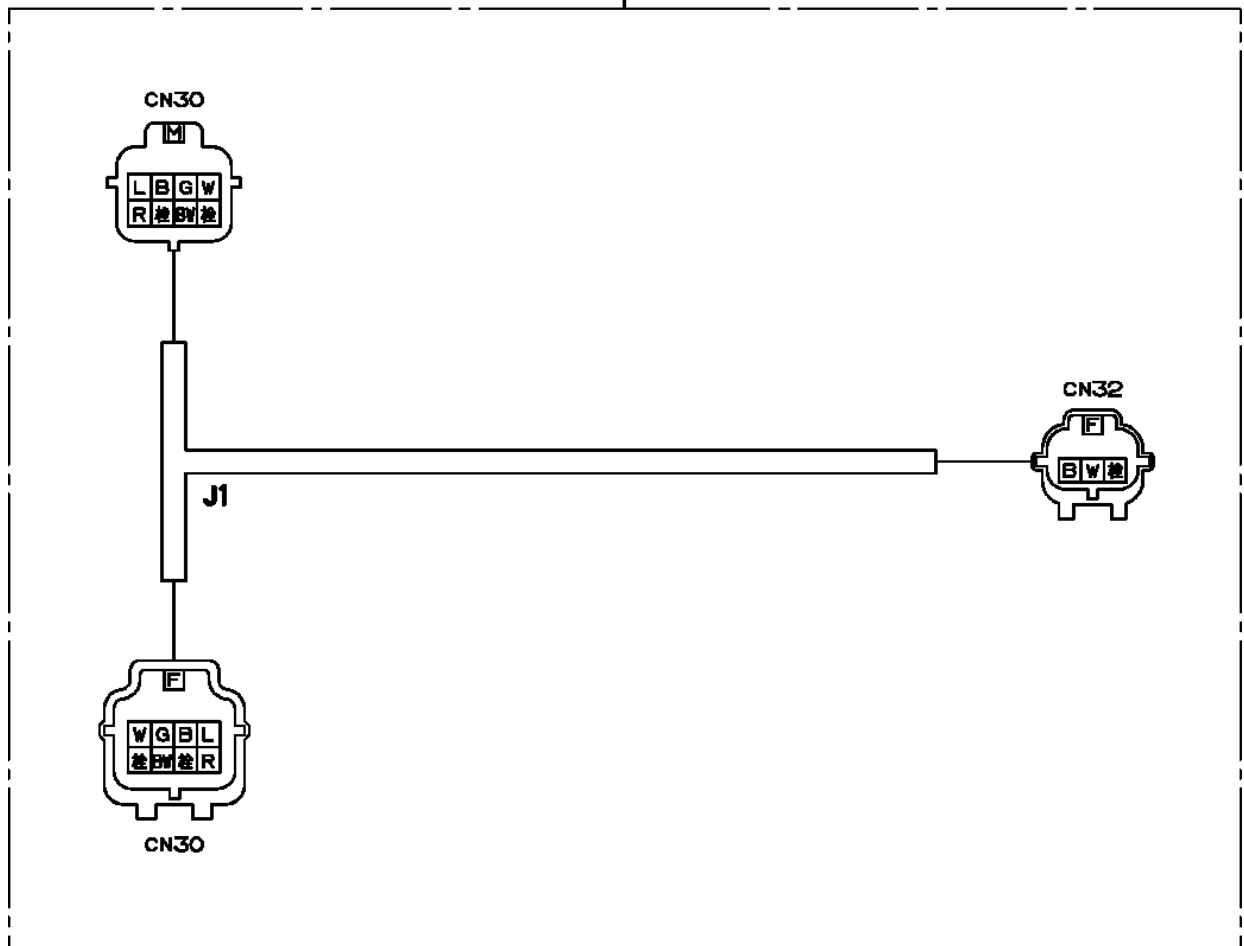
Pos No.	Parts No	Parts Name	Qty	Unit	Technical Data	Serial No (Start)	Serial No (End)	Rem
311	31204381800	PLATE	1					
312	31204381850	PLATE	1					
313	31204991750	GUIDE	3					
314	31204381901	SUPPORT	2					
316	31360202500	SUPPORT	2					
317	31204381950	PLATE	1			EX0176		
318	31204991800	SUPPORT	1			EX0176		
361	82400000459	CAP	1					
371	31592443100	PLATE,NAME (WHITE)	4			EX0420		
372	31592443200	PLATE,NAME (WHITE)	4			EX0420		

TM-20110 41043100314A FRAME/REMOTE-RADIO CONT.,5 BOOM
PG2000193-01 BOOM UNIT (411-431-20040)



TM-20110 41043100314A FRAME/REMOTE-RADIO CONT.,5 BOOM
PH5030836-00 HARNESS

10



CLICK HERE TO **DOWNLOAD** THE COMPLETE MANUAL

- Thank you very much for reading the preview of the manual.
- You can download the complete manual from: www.heydownloads.com by clicking the link below



- Please note: If there is no response to CLICKING the link, please download this PDF first and then click on it.

CLICK HERE TO **DOWNLOAD** THE COMPLETE MANUAL

TM-20110 41043100314A FRAME/REMOTE-RADIO CONT.,5 BOOM

Pos No.	Parts No	Parts Name	Qty	Unit	Technical Data	Serial No (Start)	Serial No (End)	Remarks	Pages
48	82100000745	FUSE	1		10A,6.5X30				
49	82100002854	CAP	1						
100	31655802100	HARNESS	1						

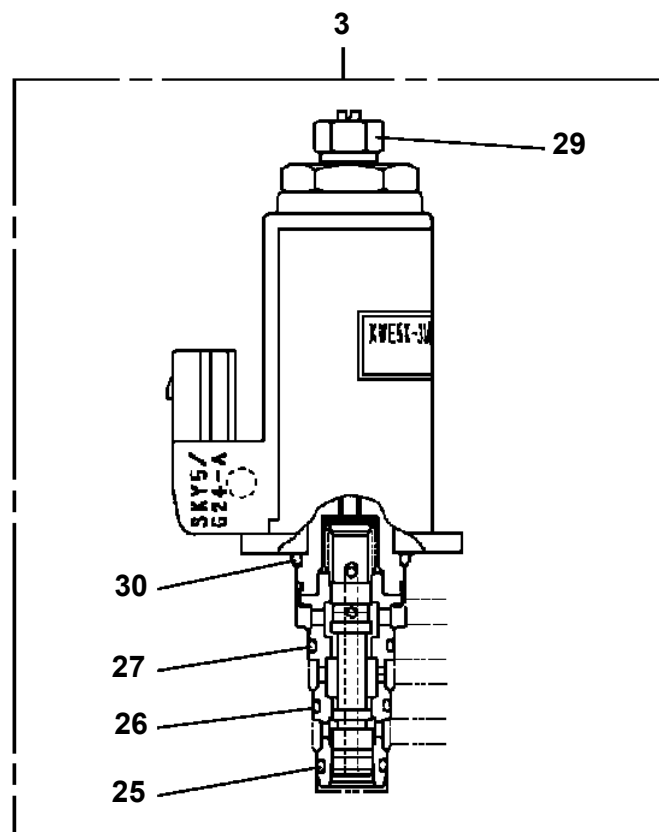
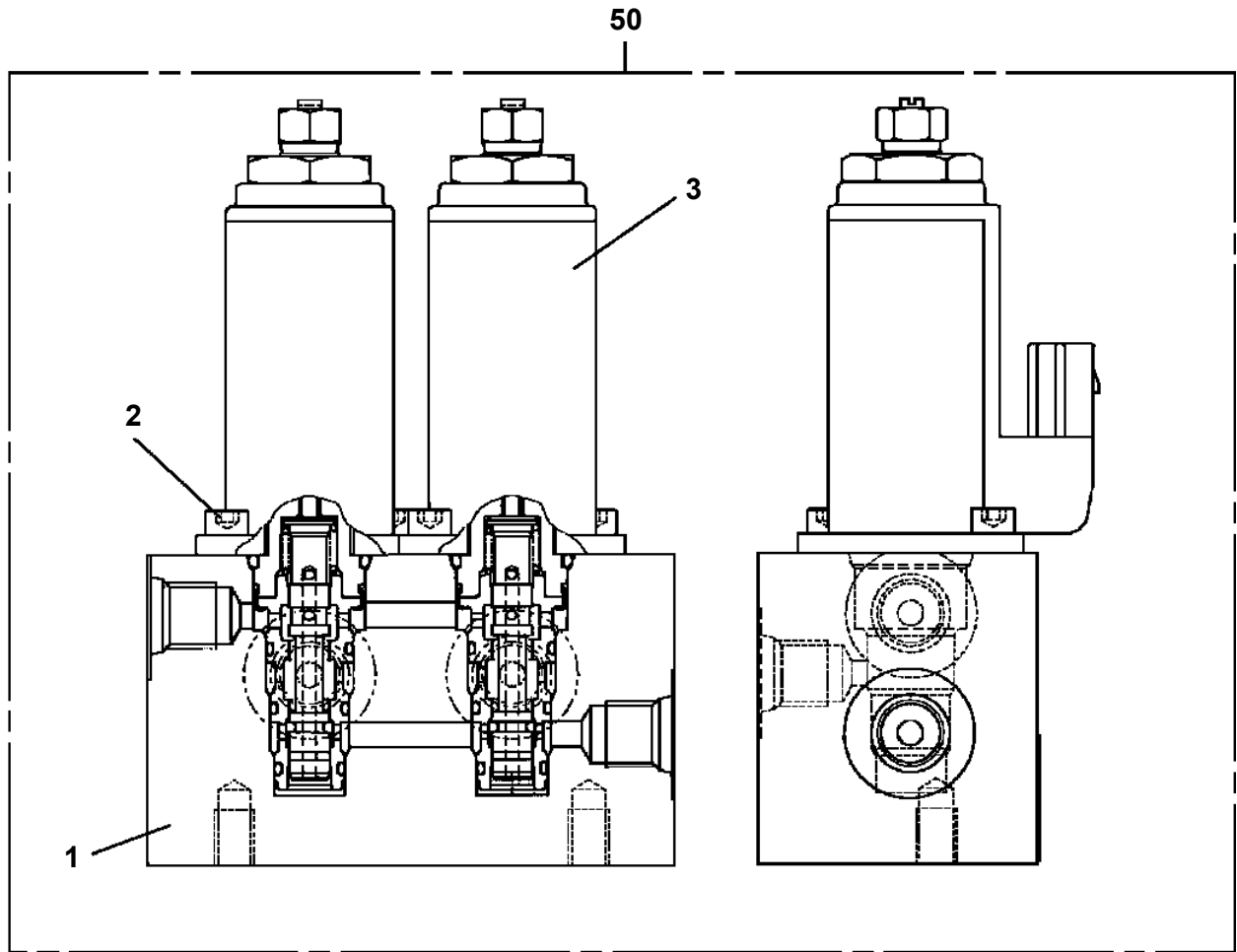
TM-20110 41043100314A FRAME/REMOTE-RADIO CONT.,5 BOOM

Pos No.	Parts No	Parts Name	Qty	Unit	Technical Data	Serial No (Start)	Serial No (End)	Remarks	Pages
10	31932650300	HARNESS	1						

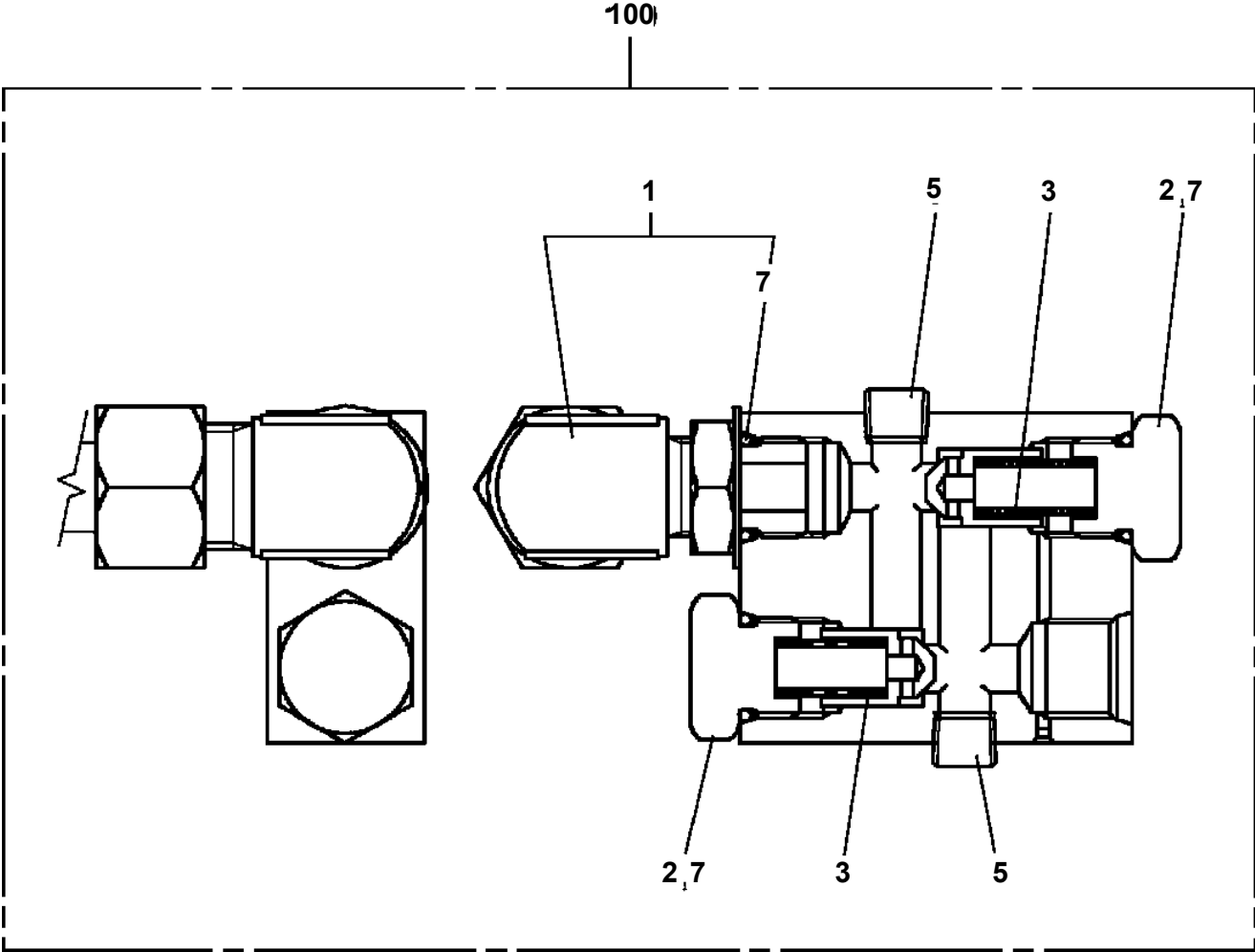
TM-20110 41043100314A FRAME/REMOTE-RADIO CONT.,5 BOOM

Pos No.	Parts No	Parts Name	Qty	Unit	Technical Data	Serial No (Start)	Serial No (End)	Remarks	Pages
10	31480336100	HARNESS	1						

TM-20110 41043100314A FRAME/REMOTE-RADIO CONT.,5 BOOM
PI1120312-00 VALVE,SOLENOID

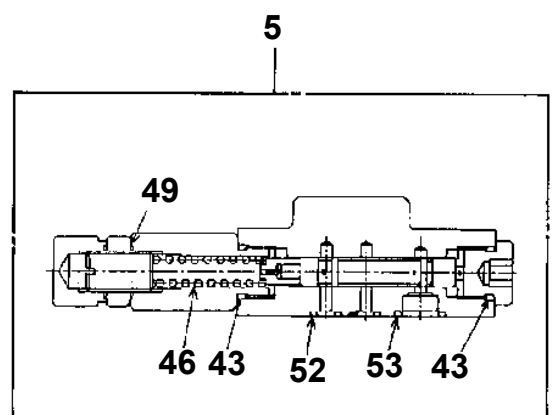
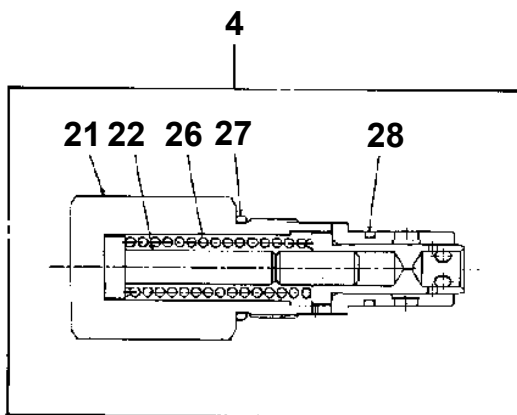
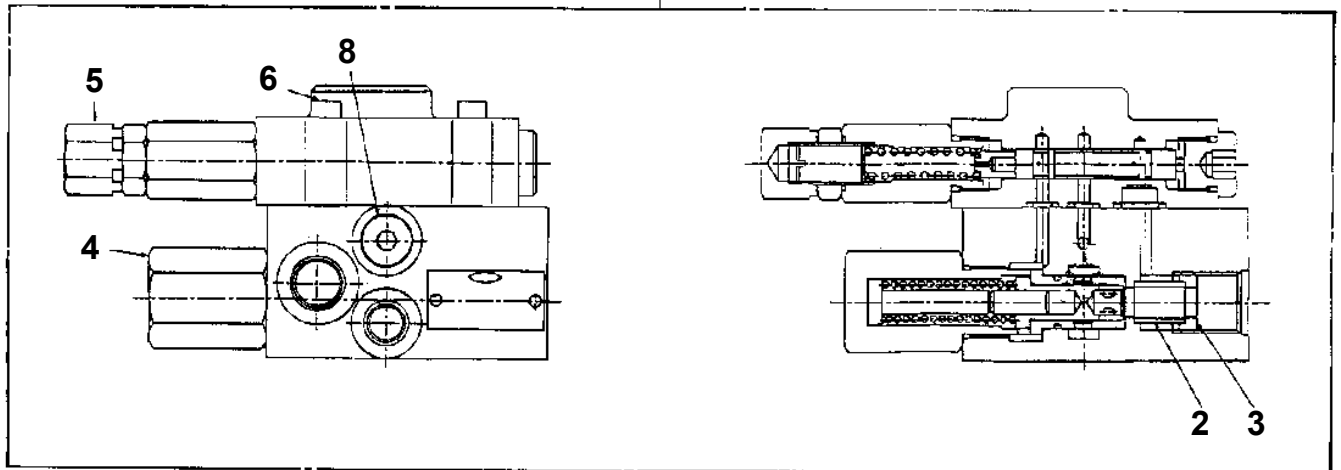


TM-20110 41043100314A FRAME/REMOTE-RADIO CONT.,5 BOOM
PI1190018-00 VALVE,PRESSURE REGULATOR



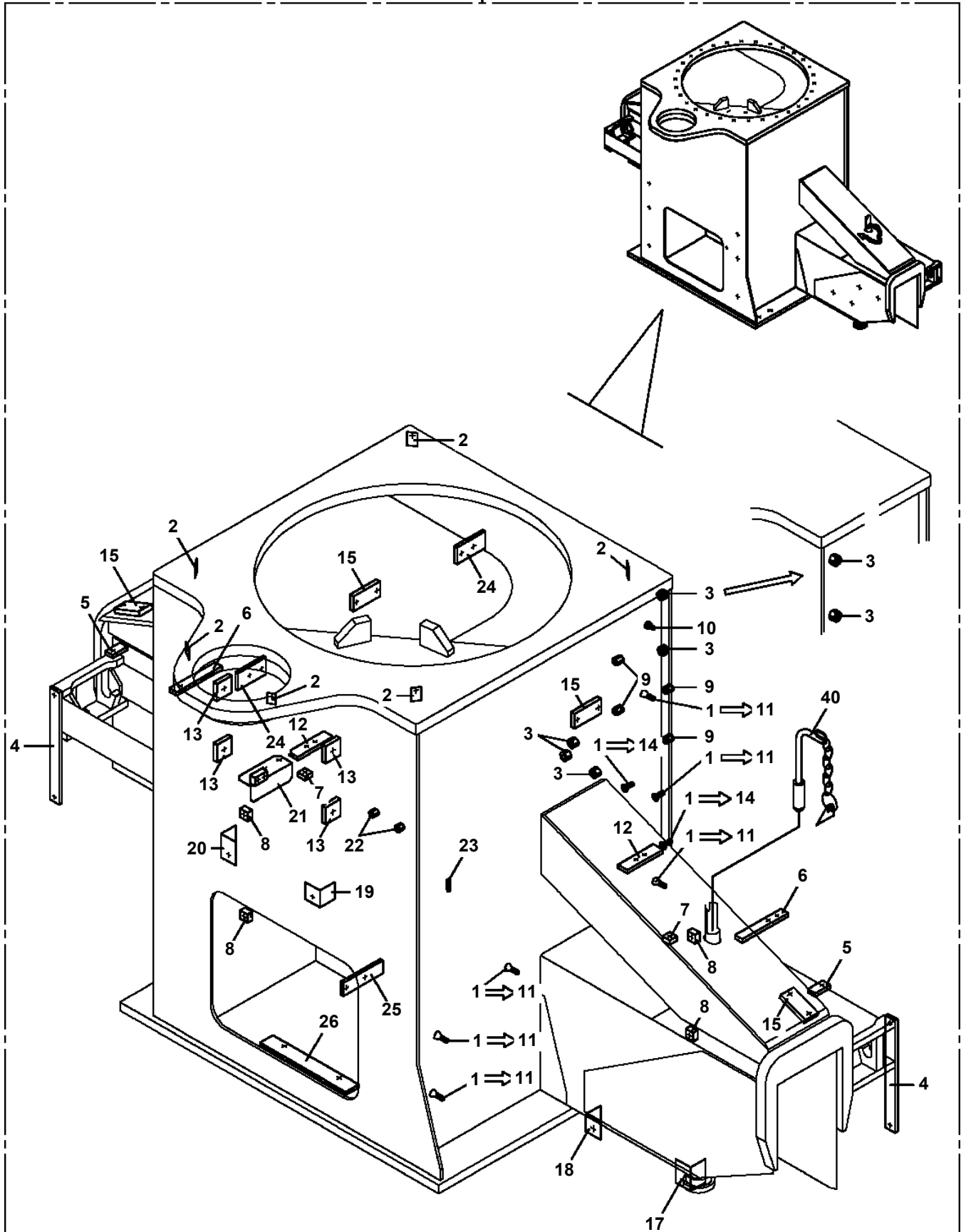
TM-20110 41043100314A FRAME/REMOTE-RADIO CONT.,5 BOOM
PI1270005-00 VALVE,SEQUENCE

100

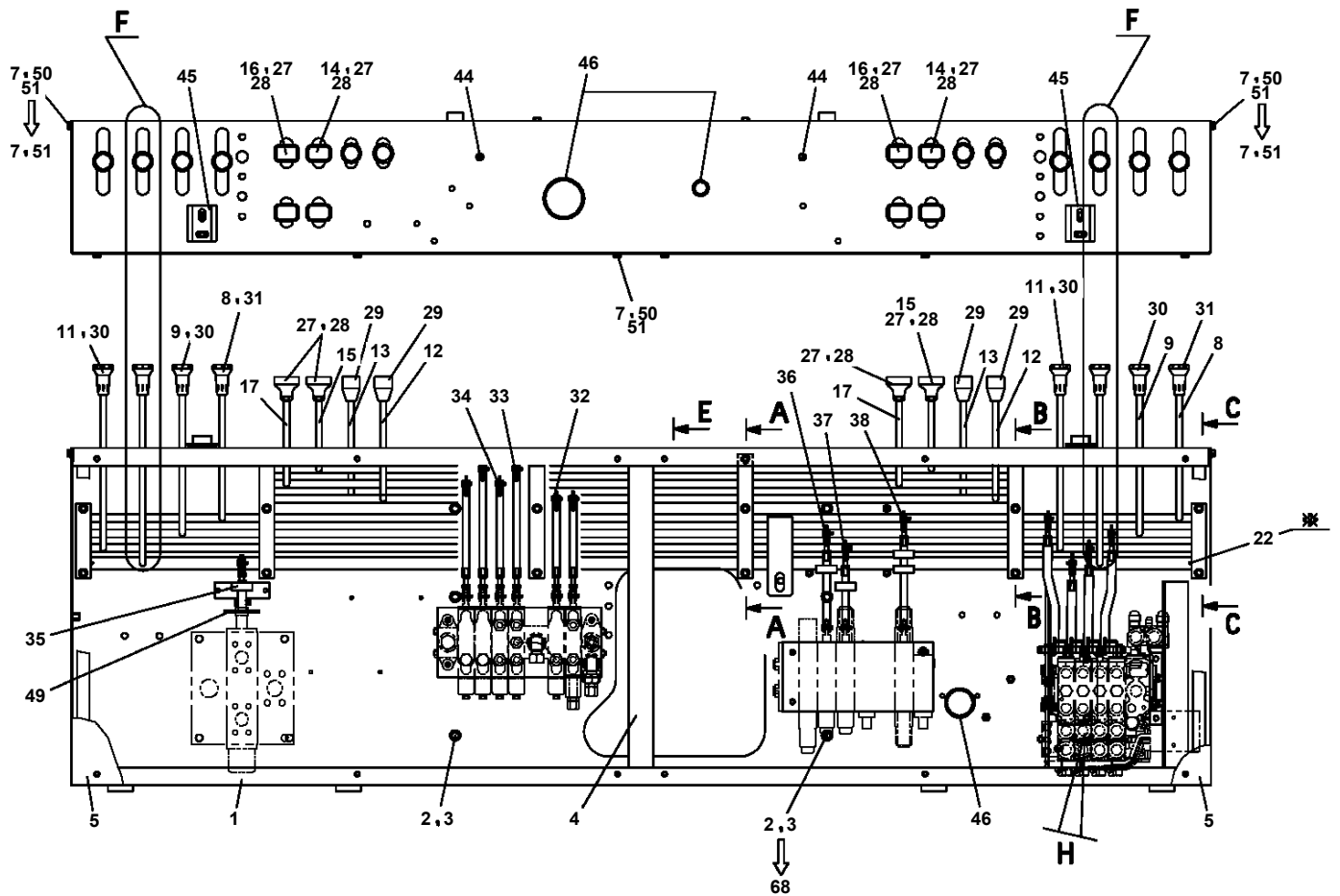


TM-20110 41043100314A FRAME/REMOTE-RADIO CONT.,5 BOOM
PK1011043-00 FRAME

100



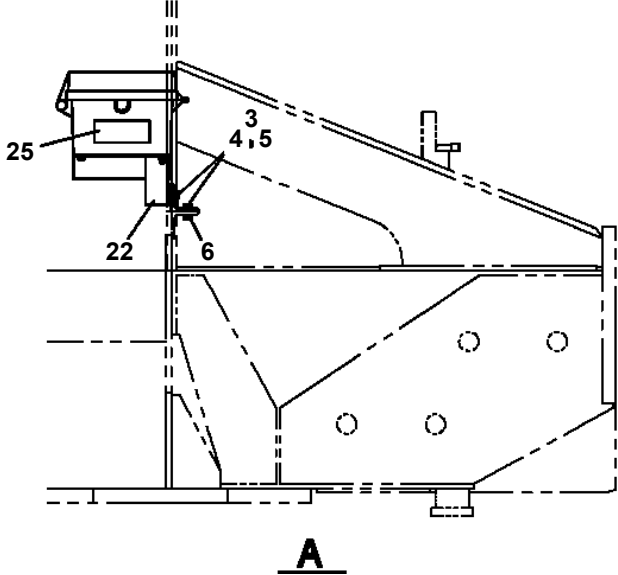
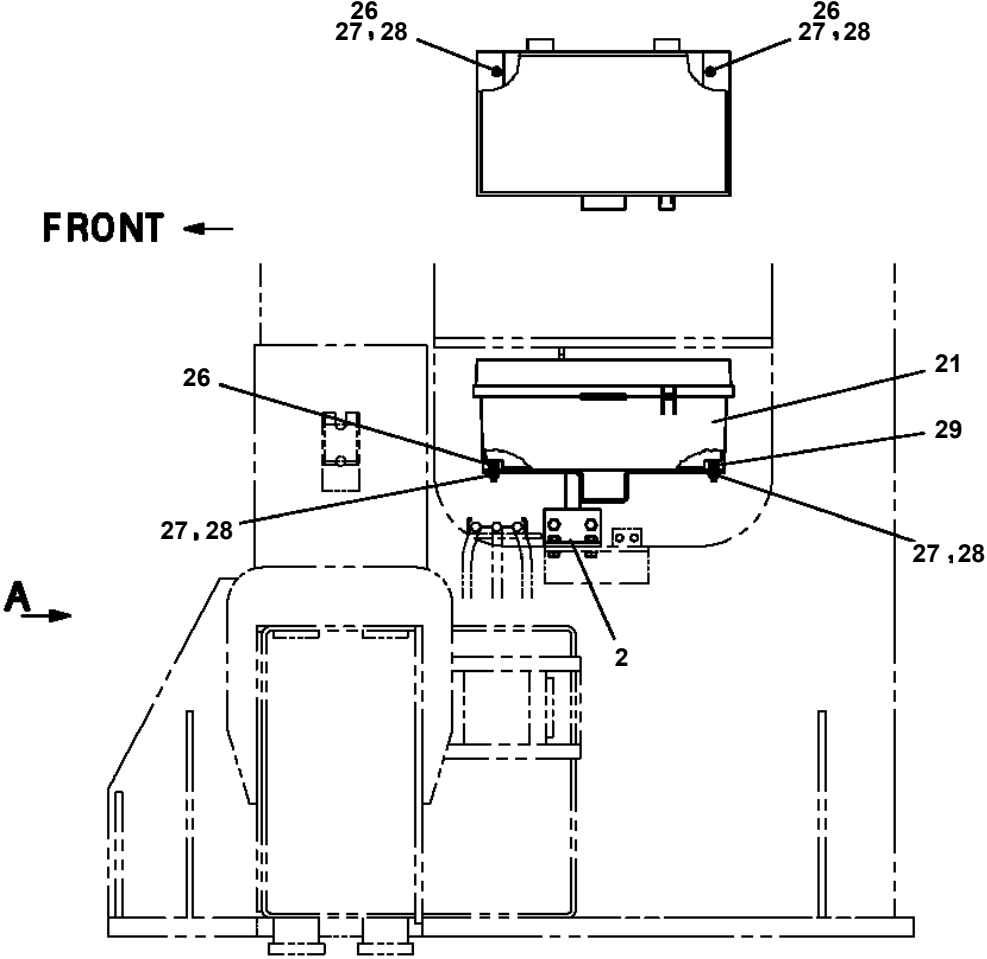
TM-20110 41043100314A FRAME/REMOTE-RADIO CONT.,5 BOOM
 PL1011084-04 OPE.ASSY,CONT.VALVE



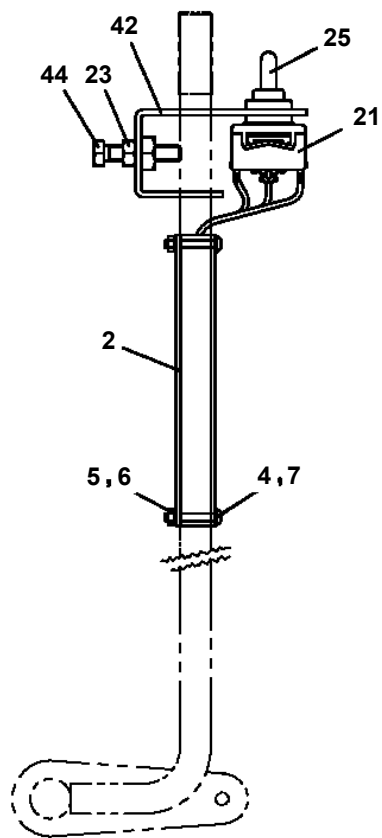
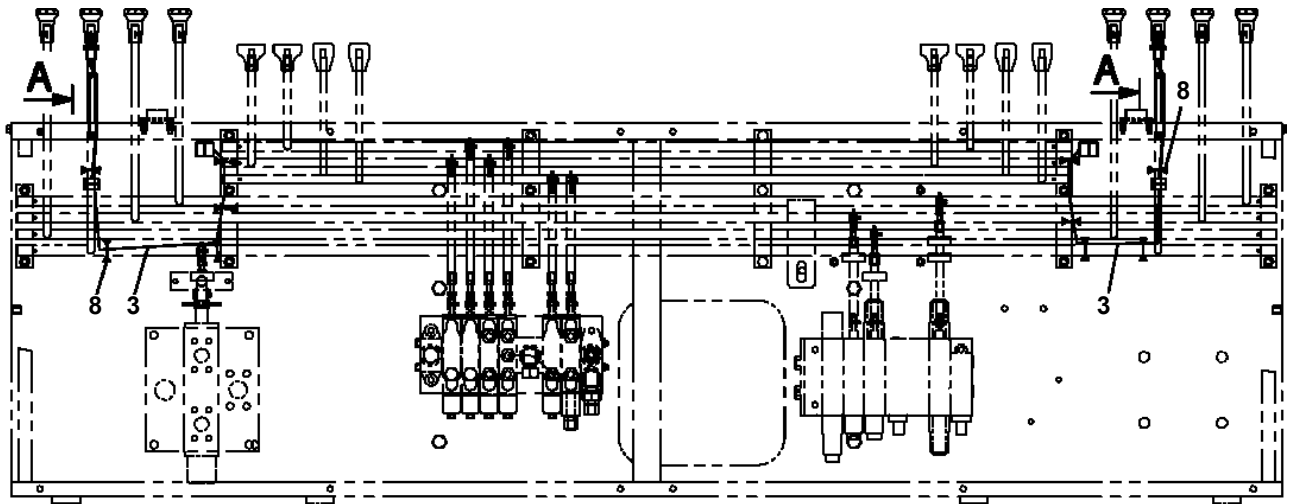
※ レバー両側 計20ヵ所
 ON BOTH SIDES OF LEVERS (20PLACES)
 ↓
 ウインチレバー両側 計2ヵ所
 ON BOTH SIDES OF WINCH LEVERS (2PLACES)

展開図有
 ILLUSTRATED BREAKDOWN NO. 32,33,34,35,36,37,38

TM-20110 41043100314A FRAME/REMOTE-RADIO CONT.,5 BOOM
PL1100239-00 BOX,OPERATION

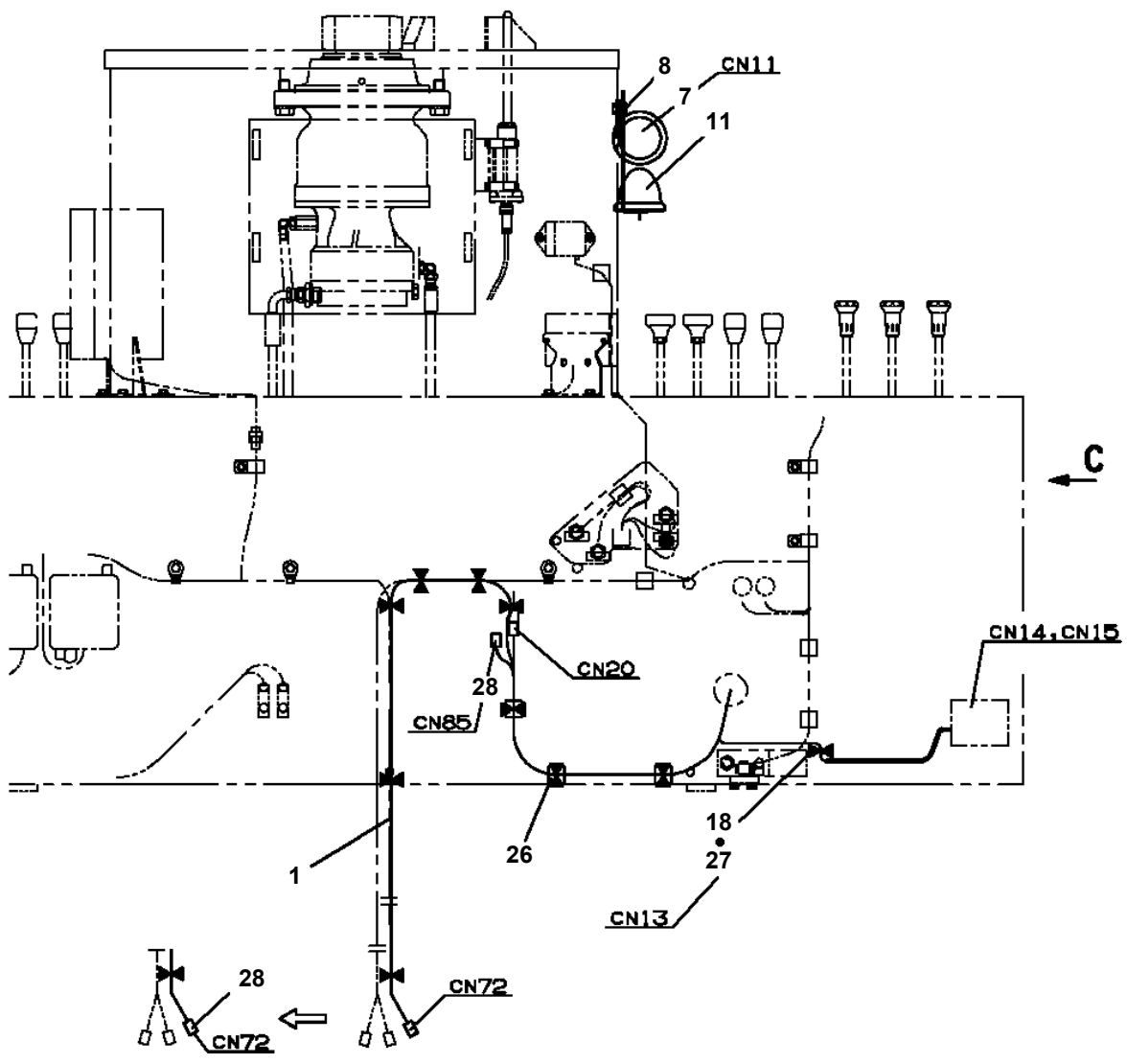
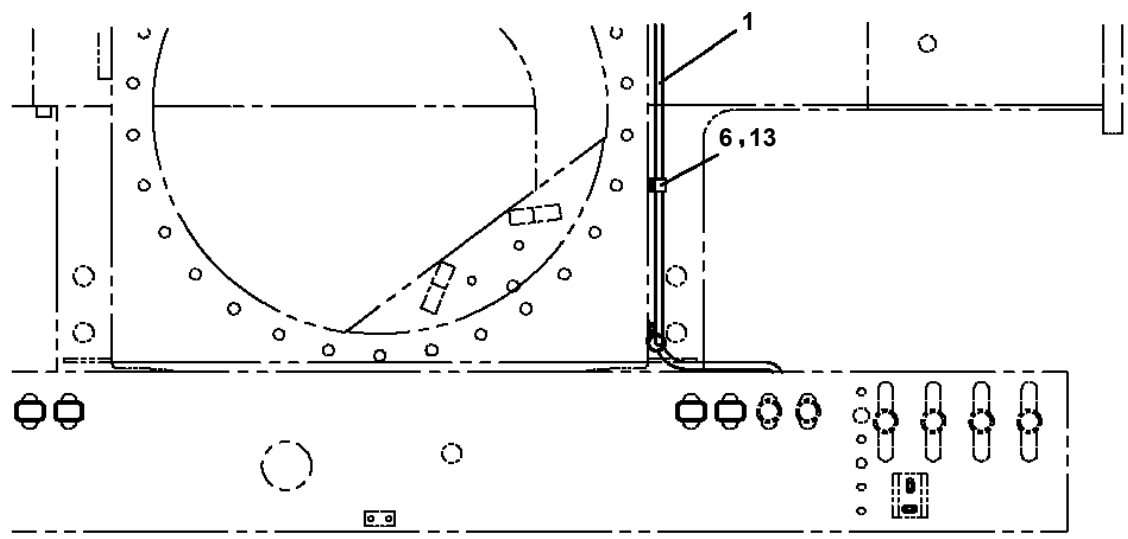


TM-20110 41043100314A FRAME/REMOTE-RADIO CONT.,5 BOOM
PN1013856-02 ELEC.ASSY (RELOCATING CONFLUENCE SW.)



A

TM-20110 41043100314A FRAME/REMOTE-RADIO CONT.,5 BOOM
PN1014228-02 ELEC.ASSY (RADIO CONTROL)



TM-20110 41043100314A FRAME/REMOTE-RADIO CONT.,5 BOOM

Pos No.	Parts No	Parts Name	Qty	Unit	Technical Data	Serial No (Start)	Serial No (End)
2	82199444211	LAMP	1				
4	31480380200	SWITCH ASSY (PANASONIC-DENKO)	1				
	31480380100	SWITCH ASSY (NACC)	1				
6	82197518119	CAP (PLUS ONE MFG./BLACK)	2				
	82197518114	CAP (MATSUSHITA/BLACK)	2				
7	31480214000	SUPPORT	1				
9	90101208030	BOLT	1		M8X30		
10	90201200800	NUT	1		M8		
11	90302040801	WASHER,SPRING	1		8		
12	90303070801	WASHER,PLAIN	2		8		
13	90101210030	BOLT	1		M10X30		
14	90201201000	NUT	1		M10		
15	90302041001	WASHER,SPRING	1		10		
16	90303071001	WASHER,PLAIN	2		10		
17	91850310405	CLAMP (BLACK)	5				
18	91810130240	FASTENER	8				
31	31480213100	SUPPORT	1				
32	31480213200	SUPPORT	1				
33	90101205010	BOLT	4		M5X10		
34	90302040501	WASHER,SPRING	4		5		
35	31480383300	PLATE,NAME	1				
38	42801990040	LAMP ASSY	2				
41	31480341101	COVER ASSY	1				
42	31480381201	PLATE,NAME	1				
61	91810130240	FASTENER	2				
63	31654981000	SUPPORT	1				
64	90186206010	BOLT,FLANGE	2		M6X10		
65	31480382200	HARNESS	1				
71	31480341111	COVER	1				
72	31361112120	PLATE	1				
73	31361112130	SEAL	1				
81	31653242200	COVER (PLASTIC)	1				
82	82161201020	RELAY	1				
83	90280200600	NUT,FLANGE	1		M6		
84	80192486012	SCREW,MACHINE	1		M6X12		
85	82400000475	PLATE	3				
101	82198300503	LENS	2				

TM-20110 41043100314A FRAME/REMOTE-RADIO CONT.,5 BOOM

Pos No.	Parts No	Parts Name	Qty	Unit	Technical Data	Serial No (Start)	Serial
1	34394192040	PLATE,CAUTION (NOTICE HYDRAULIC FLUID)	1				

TM-20110 41043100314A FRAME/REMOTE-RADIO CONT.,5 BOOM

Pos No.	Parts No	Parts Name	Qty	Unit	Technical Data	Serial No (Start)	Serial No (End)
1	31495720310	PLATE,NAME (AMA)	1				
2	31495060200	PLATE,NAME (X1000 LBS)	1				
3	33394822110	PLATE,NAME (WASHING)	1				
4	31360746300	PLATE,NAME (FRAME SERIAL NO.)	1				

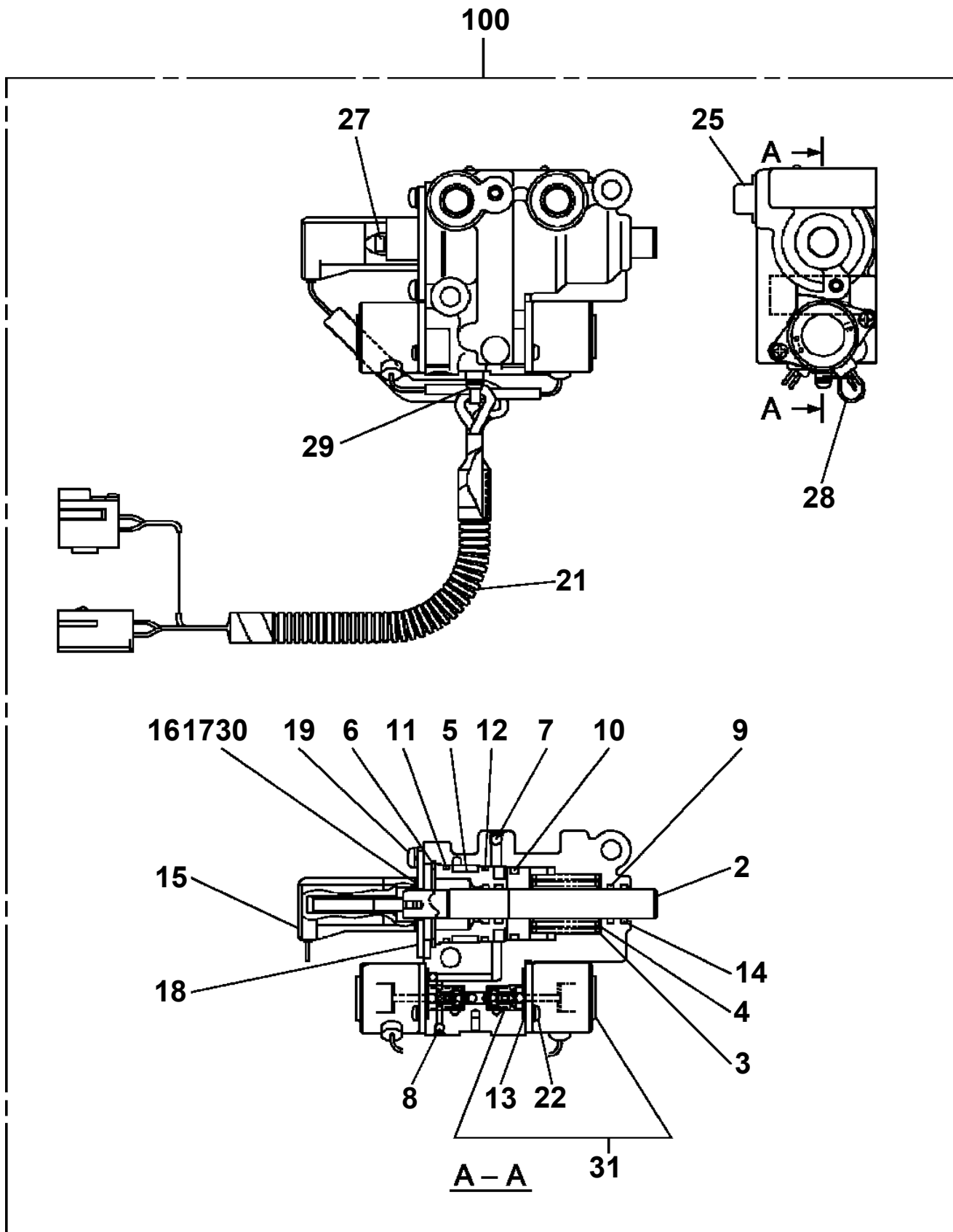
TM-20110 41043100314A FRAME/REMOTE-RADIO CONT.,5 BOOM

Pos No.	Parts No	Parts Name	Qty	Unit	Technical Data	Serial No (Start)	Serial No (End)	Remarks
1	(*****)	OUTRIGGER,REAR (LEFT)	1					
2	(*****)	OUTRIGGER,REAR (RIGHT)	1					
3	31480330301	CASE,OUTER	1					
4	31201770100	PLATE,SLIDE	4		T=3.0			
5	31623472500	SUPPORT	4					
6	90186206014	BOLT,FLANGE	8		M6X14			
7	31480330500	PLATE	12		T=1.0			
8	31480330600	PLATE	8		T=0.6			
9	37000153250	PIN	1					
10	80601110200	RING,RITAINING	2		S20			
11	90710710400	SCREW,SET	2		M10X40			
12	90201201000	NUT	2		M10			
31	31480333300	PIN	2					
100	31480331001	OUTRIGGER ASSY (REAR)	1					

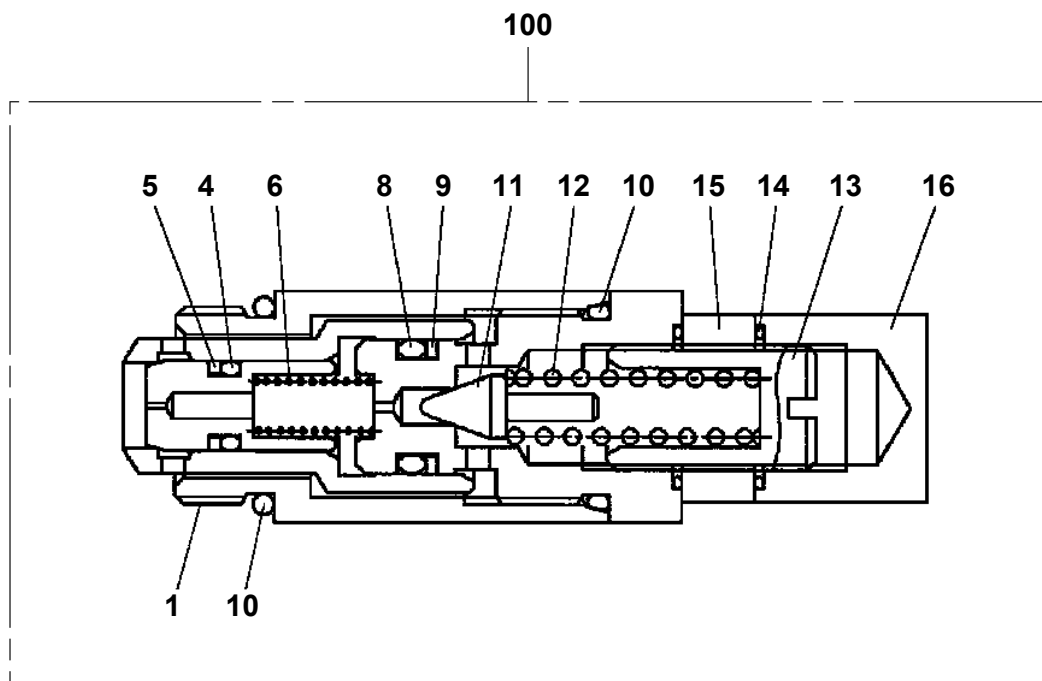
TM-20110 41043100314A FRAME/REMOTE-RADIO CONT.,5 BOOM

Pos No.	Parts No	Parts Name	Qty	Unit	Technical Data	Serial No (Start)	Serial No (End)
5	82163321101	LAMP,PILOT	1				
8	82100002307	COVER (CONTACT BLOCK PROTECTION/BLACK)	1				
9	82100002231	SWITCH,PUSH	1				
31	82198300602	BUTTON (RED)	1				
50	31361223400	SWITCH ASSY (SWITCH & LAMP)	1				

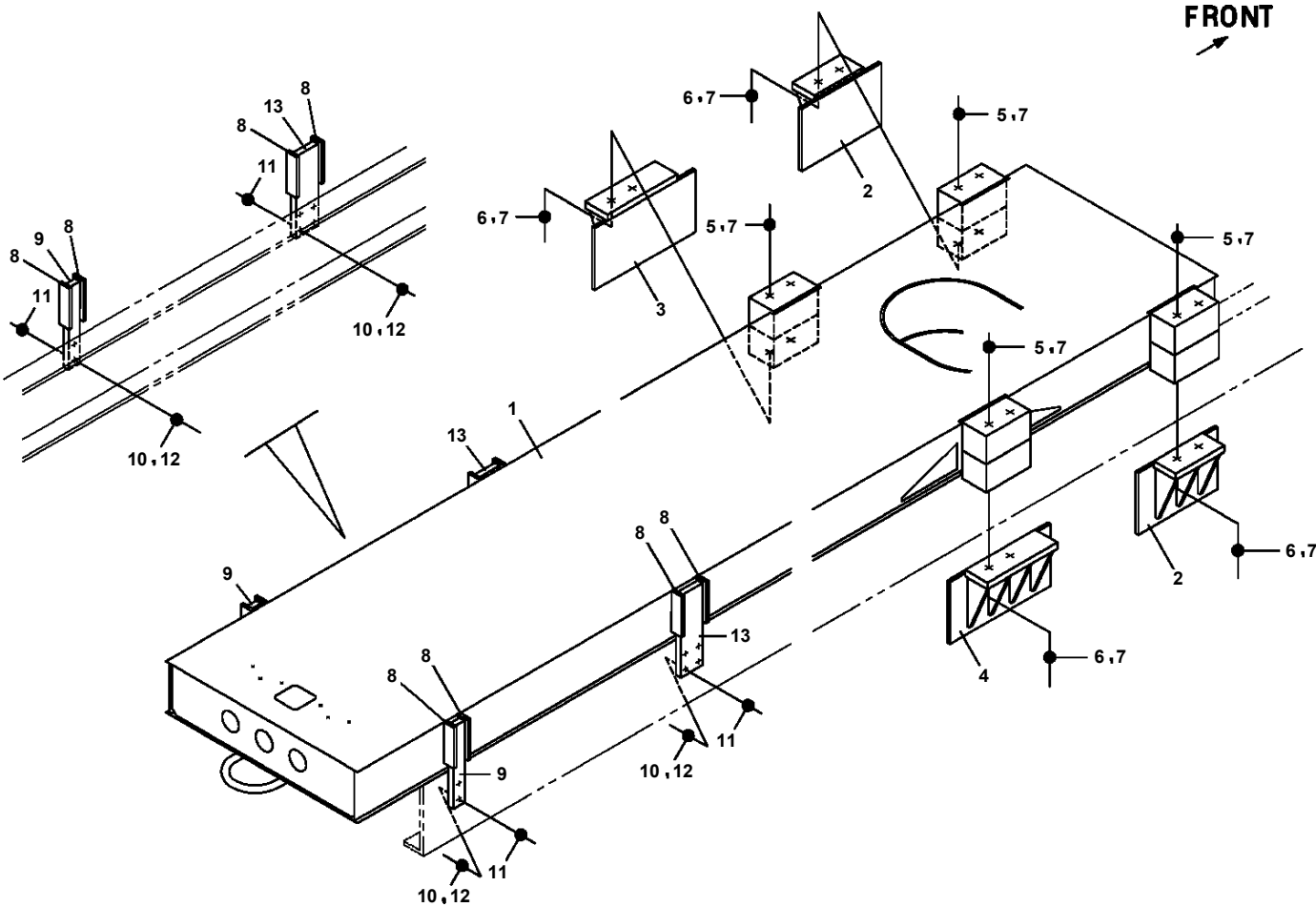
TM-20110 41043100314A FRAME/REMOTE-RADIO CONT.,5 BOOM
PV1050014-00 CYLINDER,ACCELERATOR



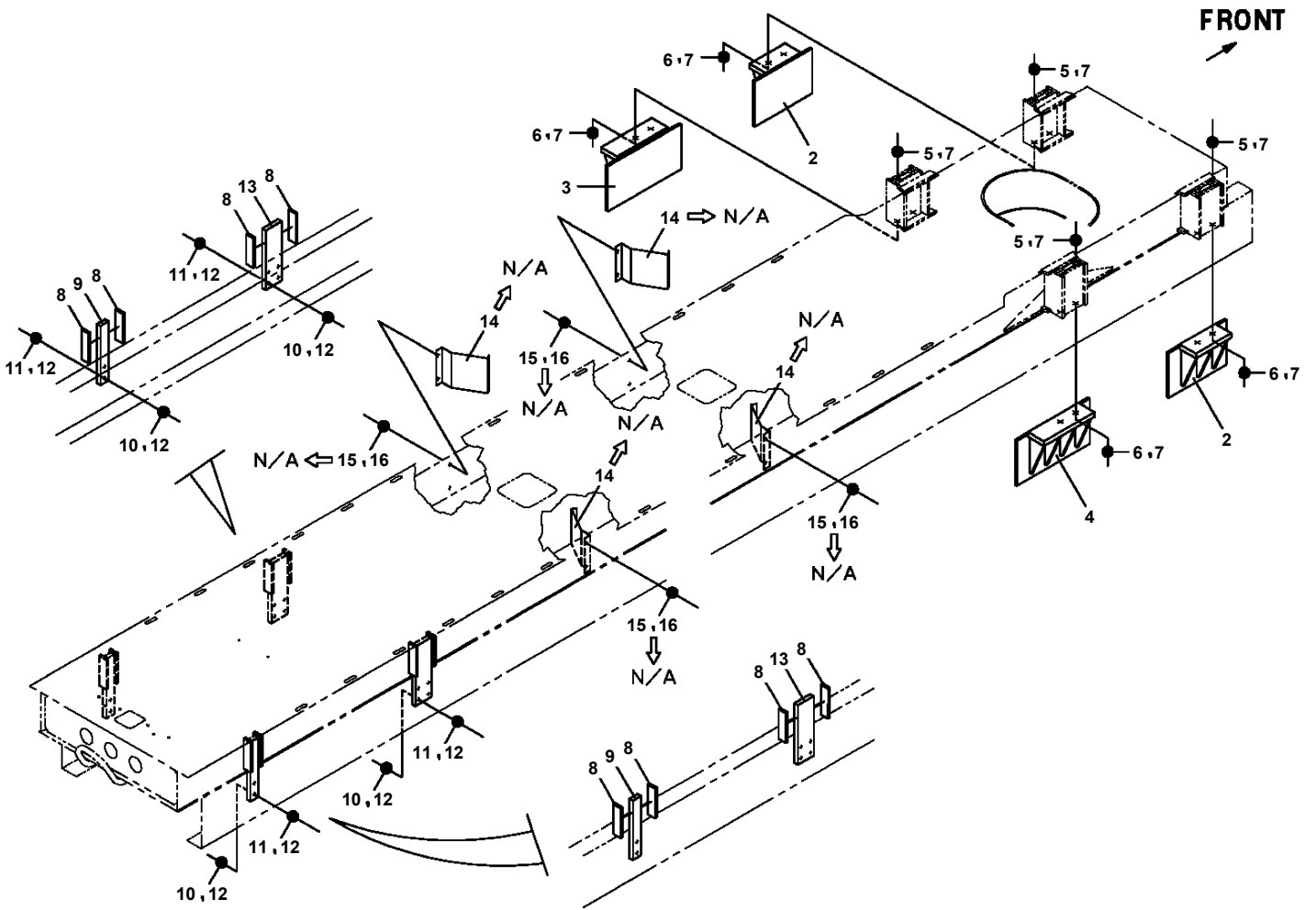
TM-20110 41043100314A FRAME/REMOTE-RADIO CONT.,5 BOOM
PV5470003-00 VALVE,RELIEF



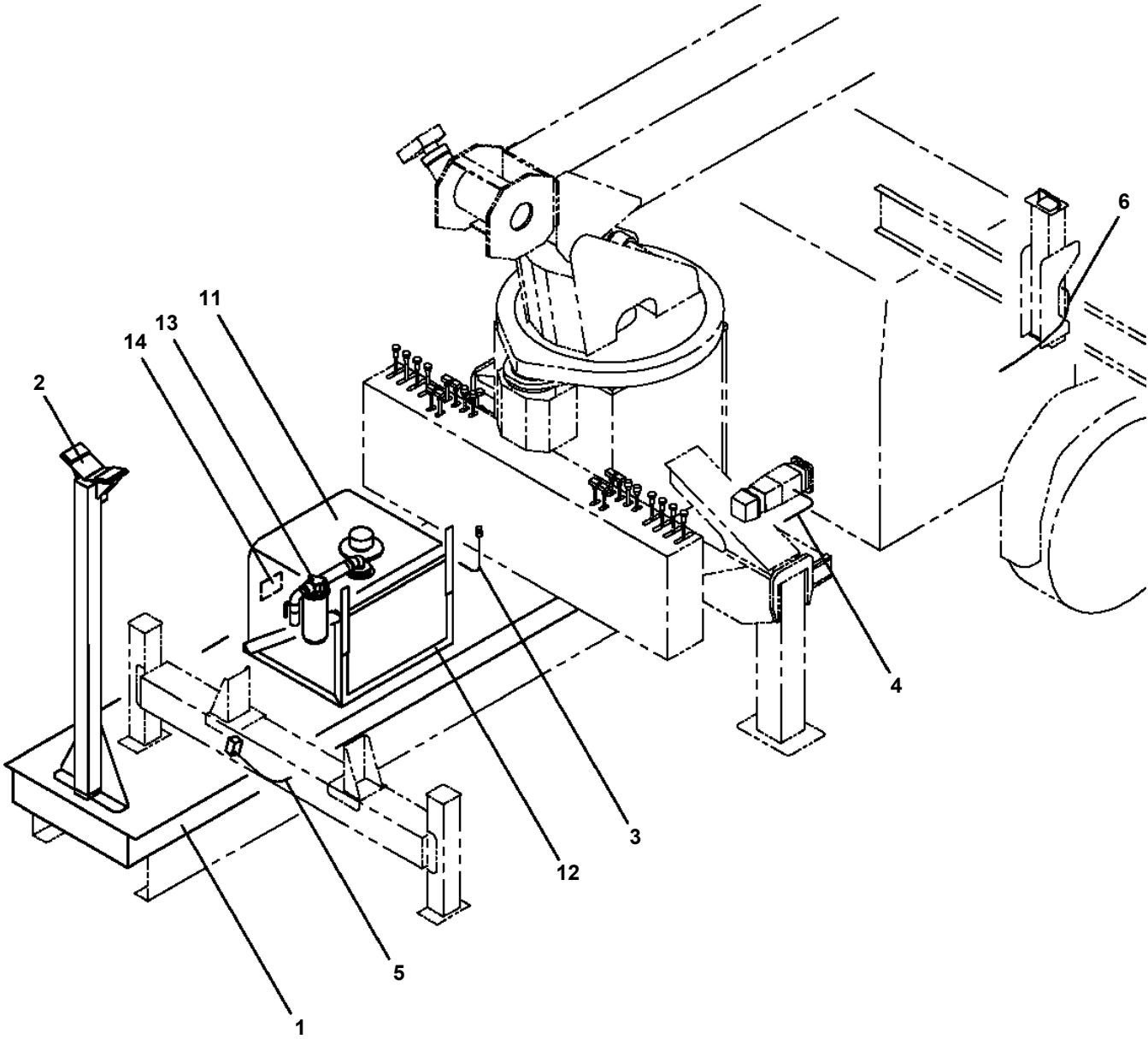
**TM-20110 41043100314A FRAME/REMOTE-RADIO CONT.,5 BOOM
PX1170706-00 ATTACHMENT PARTS,CRANE FRAME**



**TM-20110 41043100314A FRAME/REMOTE-RADIO CONT.,5 BOOM
PX1170741-01 ATTACHMENT PARTS,CRANE FRAME**



**TM-20110 41043100314A FRAME/REMOTE-RADIO CONT.,5 BOOM
PX1940272-00 MOUNT (TRUCK MOUNT W/ SUBFRAME,22FT/6.7M)**



CLICK HERE TO **DOWNLOAD** THE COMPLETE MANUAL

- Thank you very much for reading the preview of the manual.
- You can download the complete manual from: www.heydownloads.com by clicking the link below



- Please note: If there is no response to CLICKING the link, please download this PDF first and then click on it.

CLICK HERE TO **DOWNLOAD** THE COMPLETE MANUAL