

TL-350E-3-20101 4 BOOM + JIB, 2M2D, K354LE

PB1000195-02 HYDRAULIC PRESSURE GENERATING SYSTEM

PC1000146-01 OUTRIGGER SYSTEM

PD1000181-02 SWING SYSTEM

PE1000178-01 ELEVATING SYSTEM

PF1000171-04 WINCH SYSTEM

PG1000174-02 TELESCOPING SYSTEM

PH1000167-01 SAFETY DEVICES

PK1000187-03 FRAME

PL1000185-02 CONTROL DEVICES

PN1000161-01 ELECTRIC EQUIPMENT

PO1000144-01 INDICATION PLATES

PW1000028-00 ACCESSORIES & TOOLS

PX1000192-04 MOUNTING PARTS

PY1000166-02 OPTIONS

ASSEMBLY

CLICK HERE TO **DOWNLOAD** THE COMPLETE MANUAL

- Thank you very much for reading the preview of the manual.
- You can download the complete manual from: www.heydownloads.com by clicking the link below



- Please note: If there is no response to CLICKING the link, please download this PDF first and then click on it.

CLICK HERE TO **DOWNLOAD** THE COMPLETE MANUAL

TL-350E-3-20101 4 BOOM + JIB, 2M2D, K354LE

Pos No.	Parts No	Parts Name	Qty	Unit	Technical Data	Serial No (Start)	Serial No (End)
1	36093190000	HOOK (MAIN)	1				
2	(*****)	HOOK (AUXILIARY)	1				
3	36093010000	HOOK (OPTION,SHEAVE 1 PC)	1				
4	36090140001	HOOK (SHEAVE 4 PC'S)	1				35563
5	36093400000	FOOK (OPTION.14TON)	1			355640	
6	37001802800	ROPE,WIRE	1				
	37001802810	ROPE,WIRE	1				
7	37001802840	ROPE,WIRE	1				
	37001802830	ROPE,WIRE	1				
8	(*****)	SOCKET,ROPE	2				
9	(*****)	OPE.ASSY,DRUM LOCK (MAIN)	1				
10	(*****)	OPE.ASSY,DRUM LODK (AUX.)	1				
11	(*****)	DETECTOR,DISORDERLY WINDING	2				
12	(*****)	PIPING,WINCH (MAIN)	1				
13	(*****)	PIPING,WINCH (AUX.)	1				
14	(*****)	DETECTOR,DRUM ROTATION (AML-M,OPTION)	1				
15	(*****)	MOUNT,WINCH (MAIN)	1				
16	(*****)	MOUNT,WINCH (AUX.)	1				
101	36071770000	WINCH	2				
102	33311011000	BAND,WINCH BRAKE	2				
103	36661680000	MOTOR,HYDRAULIC (SANWA)	2				
104	36660950000	MOTOR,HYDRAULIC (SANWA)	2				35533
	36661840000	MOTOR,HYDRAULIC (SANWA)	2			355331	
105	36643170000	VALVE,HYDRAULIC	1				
107	36603180000	VALVE,COUNTERBALANCE (SANWA)	2				
108	36671060005	ACCUMULATOR	2				35561
	36672480000	ACCUMULATOR	2			355620	

TL-350E-3-20101 4 BOOM + JIB, 2M2D, K354LE

Pos No.	Parts No	Parts Name	Qty	Unit	Technical Data	Serial No (Start)	Serial No (End)	Remarks
1	(*****)	SWITCH,DETECTOR (F/J)	1					
4	(*****)	ELECTRICAL PARTS,CAB	1					
5	(*****)	SWITCH PANEL (OPERATION)	1					
6	(*****)	LAMP (WORKING)	1					
8	(*****)	WIRING,MATERIALS	1					

TL-350E-3-20101 4 BOOM + JIB, 2M2D, K354LE

PG1120085-02 DETECTOR SYSTEM, BOOM LENGTH
PG1130050-02 DETECTOR,BOOM LENGTH (NICHIDEN)
PG1130054-00 DETECTOR,BOOM LENGTH (WITH ANGLE DETECT)
PG1130079-00 DETECTOR,BOOM LENGTH
PG1130107-00 DETECTOR,BOOM LENGTH (WITH ANGLE DETECT)
PG1160000-03 DETECTOR,BOOM RETRACTION (TOP)
PG1200064-03 PIPING,TELESCOPING
PG1360084-01 WIRE GUIDE (BOOM)
PH1060073-02 DETECTOR,OVER WINDING (BOOM)
PH1060077-00 DETECTOR,OVER WINDING (JIB&S/T)
PH1070001-02 SWITCH,OVER WIND DETECTOR (BOOM)
PH1070002-02 SWITCH,OVER WIND DETECTOR (JIB&S/T)
PH1170011-00 DETECTOR,CONTROL VALVE ACTUATION
PH1170031-00 DETECTOR,CONTROL VALVE ACTUATION
PH1180083-01 CONNECTION,MOMENT LIMITER SYSTEM
PH1180135-01 CONNECTION,MOMENT LIMITER SYSTEM
PH1180175-01 CONNECTION,MOMENT LIMITER SYSTEM
PH1200032-03 PIPING,VENT
PH1250008-01 MOMENT LIMITER (AML-M1)
PH1250008-01 MOMENT LIMITER (AML-M1)
PH1390000-02 LEVEL GAUGE
PI1010034-03 MOTOR,HYDRAULIC (SANWA)
PI1010052-00 MOTOR,HYDRAULIC (SANWA)
PI1010111-00 MOTOR,HYDRAULIC (SANWA)
PI1010121-01 MOTOR,HYDRAULIC (SWING)
PI1010124-00 MOTOR,HYDRAULIC (COOLER,OIL)
PI1030007-01 CYLINDER,MASTER (MIYAKO)
PI1030008-01 CYLINDER,MASTER
PI1030008-01 CYLINDER,MASTER
PI1030012-00 CYLINDER,MASTER (NABCO)
PI1030040-00 CYLINDER,MASTER
PI1040011-00 CYLINDER,AIR
PI1050002-00 RESERVOIR,OIL
PI1120085-02 VALVE,SOLENOID
PI1120086-02 VALVE,SOLENOID
PI1120353-00 VALVE,SOLENOID
PI1130012-00 VALVE,HYDRAULIC
PI1130029-00 VALVE,HYDRAULIC
PI1140007-01 VALVE,CHECK
PI1140042-00 VALVE,CHECK
PI1140047-00 VALVE,CHECK
PI1140229-00 VALVE,CHECK
PI1160007-00 VALVE,FLOW CONTROL
PI1250066-00 VALVE,COUNTERBALANCE (SANWA)
PI1260011-02 CARTRIDGE, COUNTERBALANCE
PI1280050-01 VALVE,PILOT CHECK
PI1300080-00 FILTER,OIL
PI1300120-02 FILTER,OIL
PI1340011-01 ACCUMULATOR
PI1420001-01 GAUGE,PRESSURE
PI1420002-00 GAUGE,PRESSURE
PK1100067-02 SWING FRAME
PK1120096-01 SWING TABLE
PK1140055-06 CAB,OPERATOR
PK1150021-00 SEAT,OPERATOR
PK1200066-03 COVER,SWING FRAME
PK1220087-00 WEIGHT, COUNTERBALANCE
PK1330000-01 COVER
PK1330001-00 COVER (WITHOUT RADIO)
PK1330002-01 COVER (WITHOUT HEATER,OP.)
PK1330047-00 COVER (WITHOUT HEATER,OP.)
PK1410024-00 MOUNT,CAB
PL1010134-06 OPE.ASSY,CONT.VALVE (TDN)
PL1010136-02 OPE.ASSY,CONT.VALVE (PEDAL)

TL-350E-3-20101 4 BOOM + JIB, 2M2D, K354LE

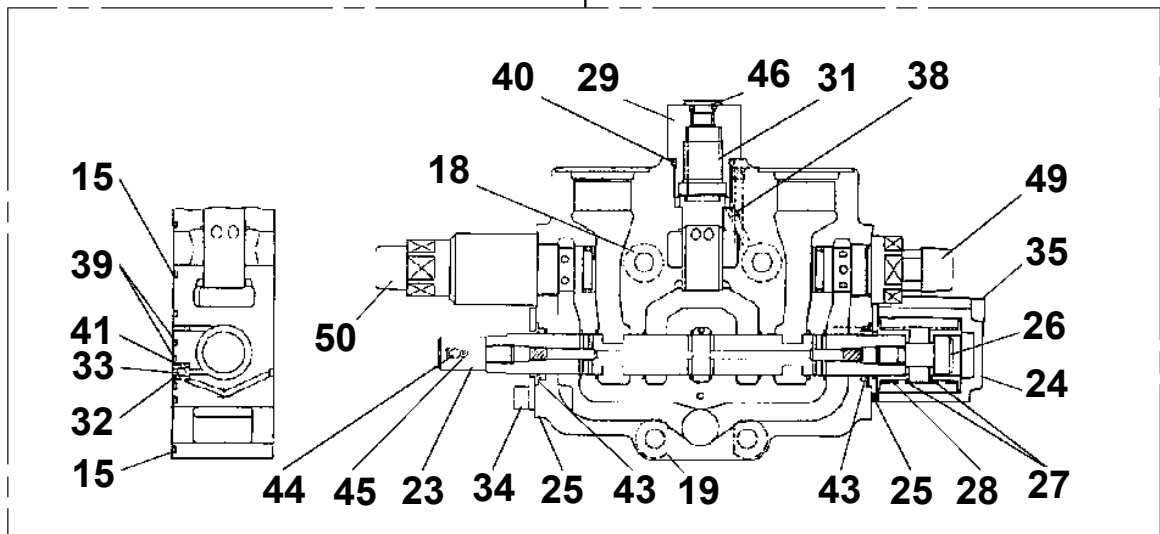
Pos No.	Parts No	Parts Name	Qty	Unit	Technical Data	Serial No (Start)	Serial No (End)	Rema
1	33660000211	GAUGE,OIL	1					
3	56356600010	SEAT (RUBBER)	1					
4	33660000170	COVER	1					
5	33660000220	BREATHER ASSY (OB-30T)	1					
6	90302041001	WASHER,SPRING	12		10			
7	90101210016	BOLT	8		M10X16			
8	90303071001	WASHER,PLAIN	4		10			
9	90101210025	BOLT	4		M10X25			
10	36670510000	FILTER,OIL	1					
11	80205001000	PLUG	1		PT1			
12	33660260110	GUARD	1					
21	33660005040	BOLT	2		M12X35X1.75		355888	
	33660007530	BOLT	2			355889		
22	33660005050	PACKING	4				355886	
	34660131140	PACKING	4			355887	355878	
	34660131140	PACKING	2			355879	355888	
	34660131140	PACKING	4			355889		
23	34660131150	PACKING	2			355879	355888	
31	33660007510	ELEMENT (OB-30T & OBR-30)	1					
32	33660007520	PACKING SET	1					
100	33660260000	TANK,OIL	1					

TL-350E-3-20101 4 BOOM + JIB, 2M2D, K354LE

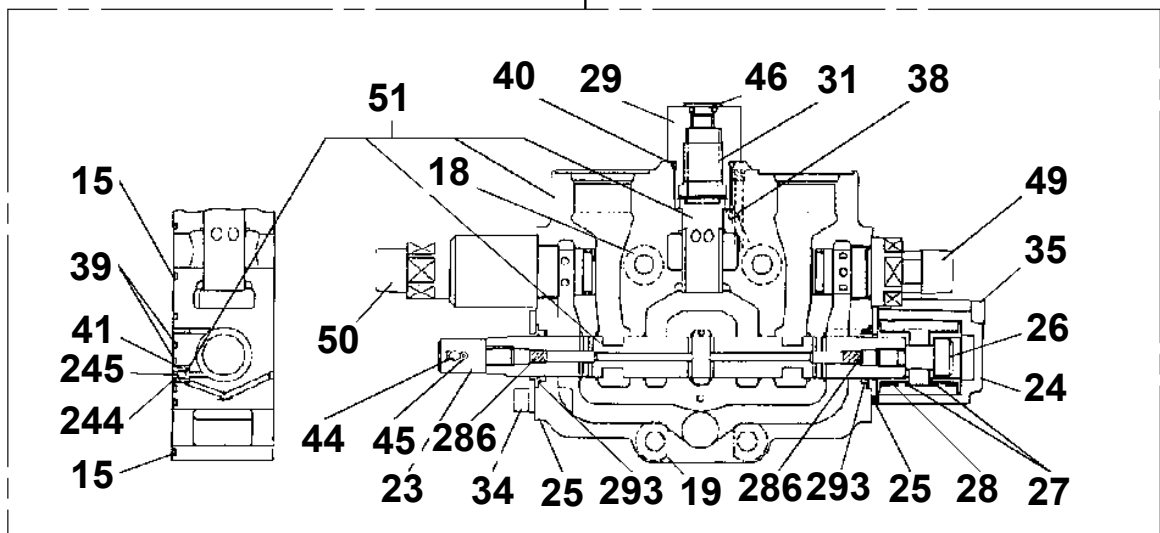
Pos No.	Parts No	Parts Name	Qty	Unit	Technical Data	Serial No (Start)	Serial No (End)	Remarks	Page
1	81408000081	PIPE,STEEL	1	M	8X1.2T				
2	81408000130	PIPE,STEEL	1	M	10X1.8T				
3	37000702280	CLAMP ASSY	1						
4	37000300720	SLEEVE	1		12-10				
5	80307010080	FITTING	1						
6	81408000081	PIPE,STEEL	1	M	8X1.2T				
7	81408000081	PIPE,STEEL	1	M	8X1.2T				
8	37000703410	CLAMP ASSY	1						
9	14115209000	PACKING	2						
10	80172304010	SCREW,MACHINE	8		M4X10				
11	90302040401	WASHER,SPRING	8		4				
12	36680830000	GAUGE,PRESSURE	1						0001:
13	18335110000	GAUGE,PRESSURE	1						0001:
14	81408000081	PIPE,STEEL	2	M	8X1.2T				
15	81408000081	PIPE,STEEL	2	M	8X1.2T				
16	14215209000	FITTING	2						
17	80309010060	SLEEVE	2				355795		
	80309010065	SLEEVE	2			355796			
18	80306010060	NUT	2		KKN08-000N		355795		
	80306010065	NUT	2		KNN08-000E	355796			
19	37000300710	SLEEVE	3		12-8				
20	80301010060	FITTING	3		KUA08-000N				
21	80307030160	FITTING	2		KGA08-030N				
22	80316030040	PLUG	1		PT1/4				
25	36622080000	VALVE,CHECK	1						0001:
26	90101208035	BOLT	2		M8X35				
27	90302040801	WASHER,SPRING	2		8				

TL-350E-3-20101 4 BOOM + JIB, 2M2D, K354LE
 PB1320103-06 VALVE, MANUAL CONTROL

2 ELEVATING (~1989.9)

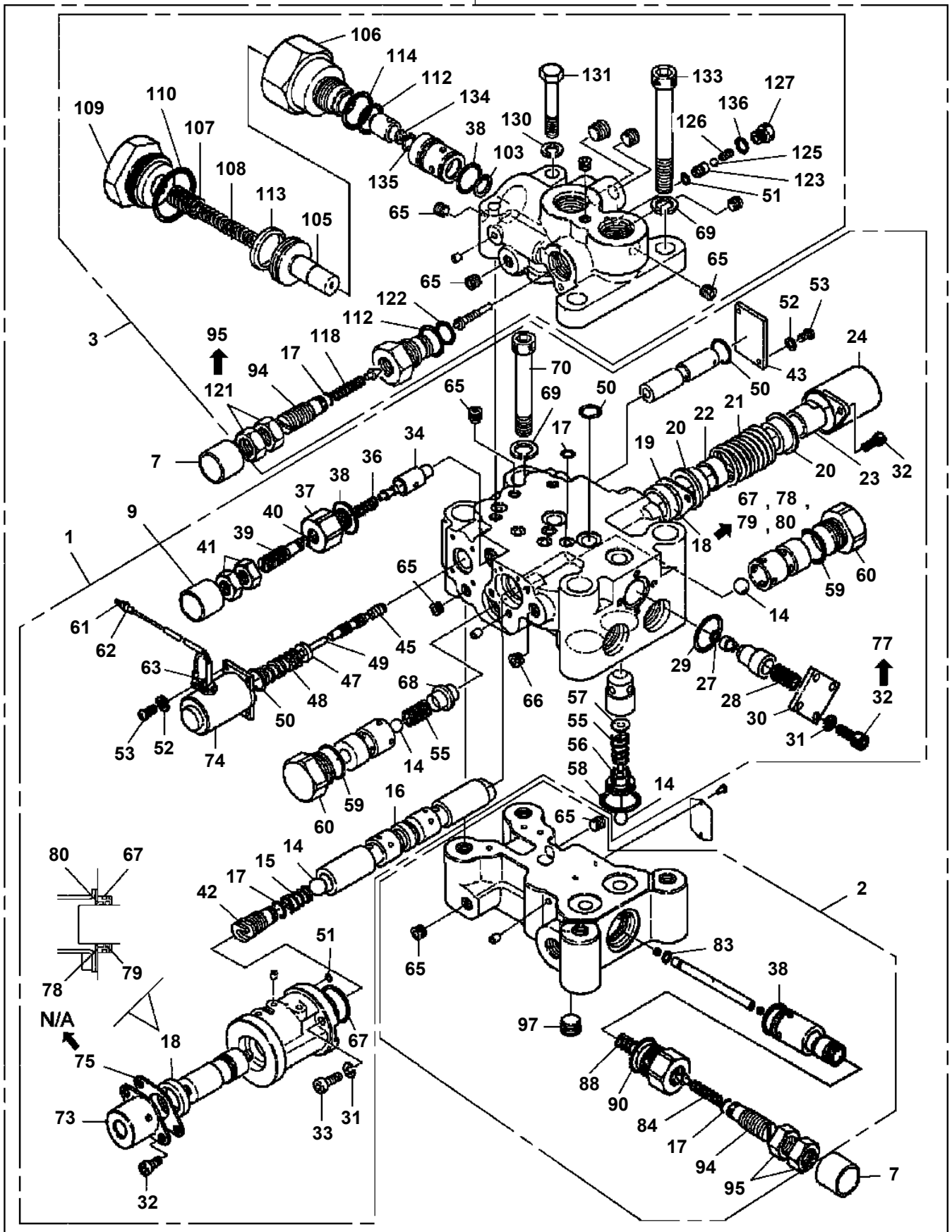


2 ELEVATING (1989.10~)



**TL-350E-3-20101 4 BOOM + JIB, 2M2D, K354LE
PB1320639-01 VALVE, MANUAL CONTROL (SWING)**

150



TL-350E-3-20101 4 BOOM + JIB, 2M2D, K354LE

Pos No.	Parts No	Parts Name	Qty	Unit	Technical Data	Serial No (Start)	Serial No (End)	Remarks	P
1	36042241000	CYLINDER	1						
2	90272102000	NUT	1		M20		355845		
	90201202000	NUT	1		M20	355846			
3	91100105500	RING,SEAL	1						
4	36040020301	PISTON	1						
5	36040790100	ROD	1						
6	36040540300	COVER,ROD	1						
7	91002804801	O-RING	1		1B P48A				
8	91694003500	PACKING	1						
9	91410203501	RING,BACKUP	1						
10	91660003501	SEAL,DUST	1						
30	36040079901	PACKING SET	1		35X55				
50	36042240000	CYLINDER,EXTENSION	1						

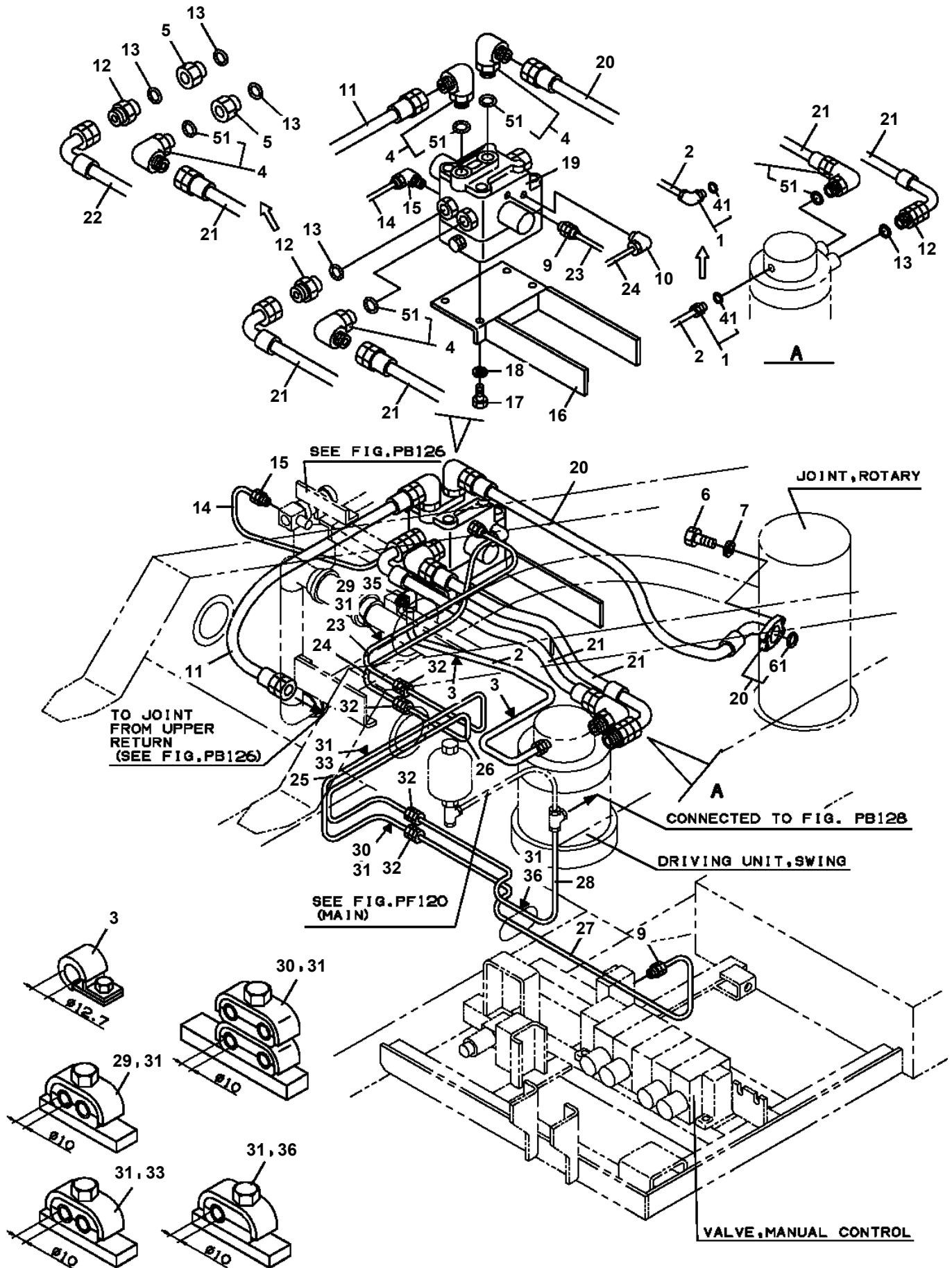
TL-350E-3-20101 4 BOOM + JIB, 2M2D, K354LE

Pos No.	Parts No	Parts Name	Qty	Unit	Technical Data	Serial No (Start)	Serial No (End)	Remarks
1	36031070000	CYLINDER,FRONT JACK	1					
2	33730521100	SUPPORT	1					
3	33730020100	FLOAT ASSY	1					
4	90101516070	BOLT	4		M16X70			
5	90302041601	WASHER,SPRING	4		16			
6	90101510055	BOLT	4		M10X55			
7	90302041001	WASHER,SPRING	4		10			
8	36620000000	VALVE,PILOT CHECK	1					
9	90101514040	BOLT	6		M14X40			
10	90201401400	NUT	6		M14			
11	90302041401	WASHER,SPRING	6		14			
12	82100000592	TERMINAL (M40.3 TO 1.25)	1					
13	90201200400	NUT	1		M4			
14	90302040401	WASHER,SPRING	1		4			
15	82100000191	TERMINAL	2					
16	82100000183	INSULATOR	2					
17	82100000192	TERMINAL	1					
18	82100000182	INSULATOR	1					
31	90191410045	BOLT	6		M10X45			
32	90302041001	WASHER,SPRING	6		10			
33	33730020110	COVER	2					
34	33730020120	FLOAT	1					
35	82456101000	NIPPLE,GREASE	1		A-PT1/8			

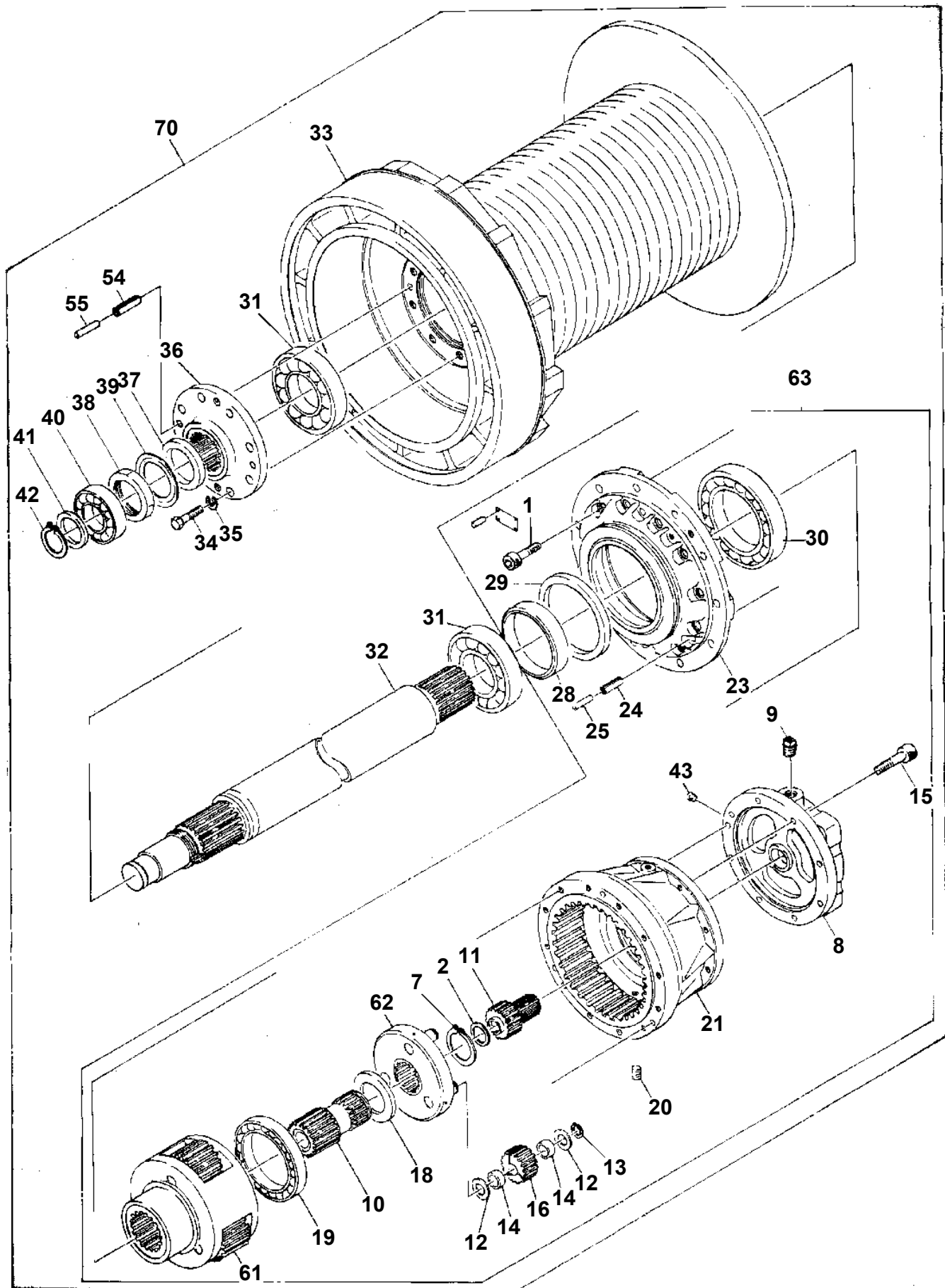
TL-350E-3-20101 4 BOOM + JIB, 2M2D, K354LE

Pos No.	Parts No	Parts Name	Qty	Unit	Technical Data	Serial No (Start)	Serial No (End)	Remarks
1	36340150000	REDUCER ASSY	1					
2	36661780000	MOTOR ASSY	1					
3	36080415010	NIPPLE	1					
4	36080415020	JOINT,ELBOW	1					
5	80316080080	PLUG	1		PT1/2			
11	36340155010	HOUSING (GEAR)	1					
12	36340155020	SHAFT (R)	1					
13	80500022217	BEARING,BALL	1					
14	16623320050	SEAL,OIL	1					
15	36080155280	WASHER	3					
16	80165106010	SCREW,MACHINE	3		M6X10			
17	36340155030	SPIDER	1					
18	36340155040	GEAR (P2)	3					
19	36340155050	PIN,KING (P2)	3					
20	16623320100	BEARING,THRUST	6					
21	36340155060	BEARING,NEEDLE	6					
22	80720106025	PIN,SPRING	3		6X25			
23	36340155070	RING,THRUST	2					
24	36340155080	PIN	3		18X40			
25	36340155090	BEARING	1					
26	90131516060	BOLT,HEXAGON SOCKET	6		M16X60			
27	36340155100	GEAR (R2)	1					
28	80730130025	PIN	1		13X25			
29	18335116040	O-RING	2					
30	36340155110	PIN	2		20X65			
31	36340155120	COVER,END	1					
32	90131512080	BOLT,HEXAGON SOCKET	2		M12X80			
33	36340155130	GEAR (S2)	1					
34	36340155140	GEAR (P1)	3					
35	36340155150	BEARING,NEEDLE	3					
36	36340155160	PIN,KING (P1)	3					
37	36080155220	WASHER	3					
38	80601110200	RING,RITAINING	3		S20			
39	80720106018	PIN,SPRING	3		6X18			
40	36340155170	CARRIER	1					
41	80601110500	RING,RITAINING	1		S50			
42	36340155180	O-RING	2					
43	80316030020	PLUG	1		PT1/8			
44	90101510050	BOLT	13		M10X50			
45	90101510075	BOLT	2		M10X75			
46	90302041001	WASHER,SPRING	15		10			
47	80316030060	PLUG	2		PT3/8			
48	36340155190	GEAR (R1)	1					
51	36660985010	SHAFT	1					
52	80500006305	BEARING,BALL	1					
53	36660025140	SEAL,OIL	1					
54	36660985070	ROLLER,NEEDLE	3					
55	36660985040	PLATE (CAM)	1					
56	80720110020	PIN,SPRING	1		10X20			
57	36660985050	BARREL,CYLINDER	1					
58	36660495070	HOLDER,PLUNGER	1					
59	36660985030	HOUSING ASSY	1					
60	36661785010	FACING (NON-ASBESTOS)	1					
61	80500006006	BEARING,BALL	1					
62	14315102190	O-RING	1					
63	36660985111	COVER (BOTTOM)	1					
64	18335116940	BREATHER,AIR	1					
67	80602110520	RING,RITAINING	1		R52			
68	36660985100	SPRING (BRAKE)	20					
70	36660125050	PLUG	1		PT1/4			
72	59451302360	CAP (AIR BLEEDER SCREW)	1					
82	36660985060	SPRING (CENTER)	1					
83	80602110450	RING,RITAINING	1		R45			

**TL-350E-3-20101 4 BOOM + JIB, 2M2D, K354LE
PD1200089-03 PIPING, SWING**

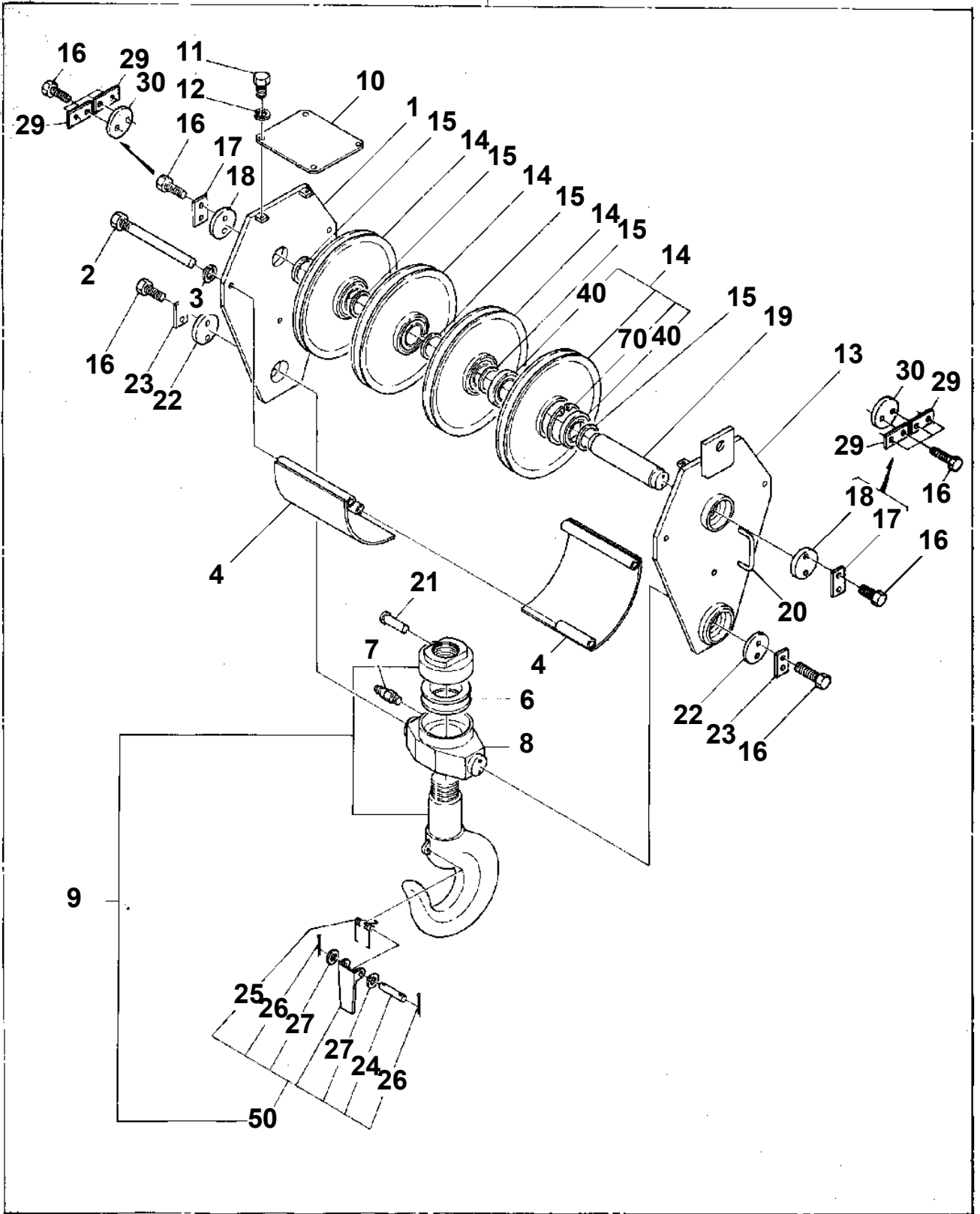


TL-350E-3-20101 4 BOOM + JIB, 2M2D, K354LE
PF1010075-00 WINCH

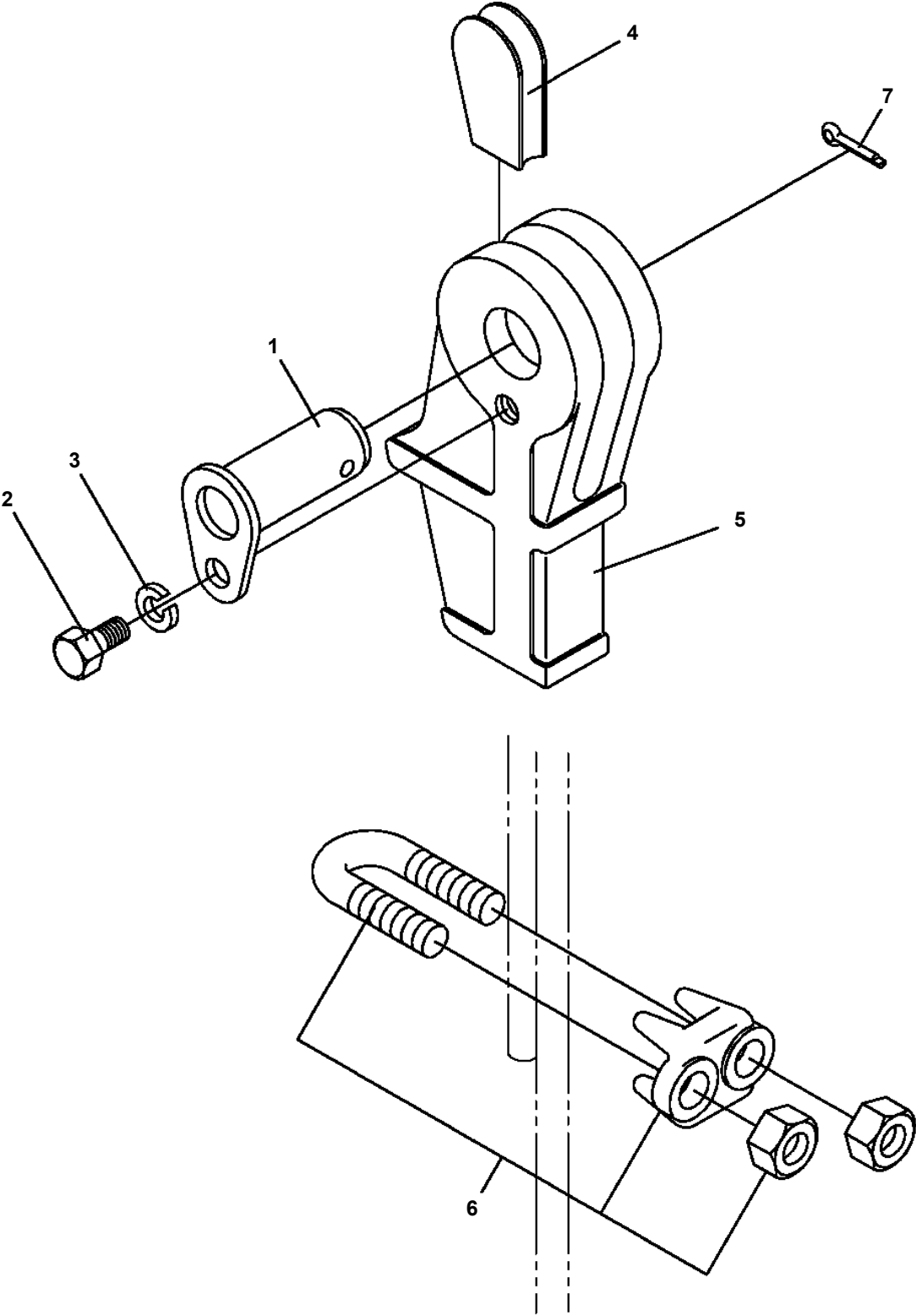


TL-350E-3-20101 4 BOOM + JIB, 2M2D, K354LE
PF1050500-01 HOOK (SHEAVE 4 PC'S)

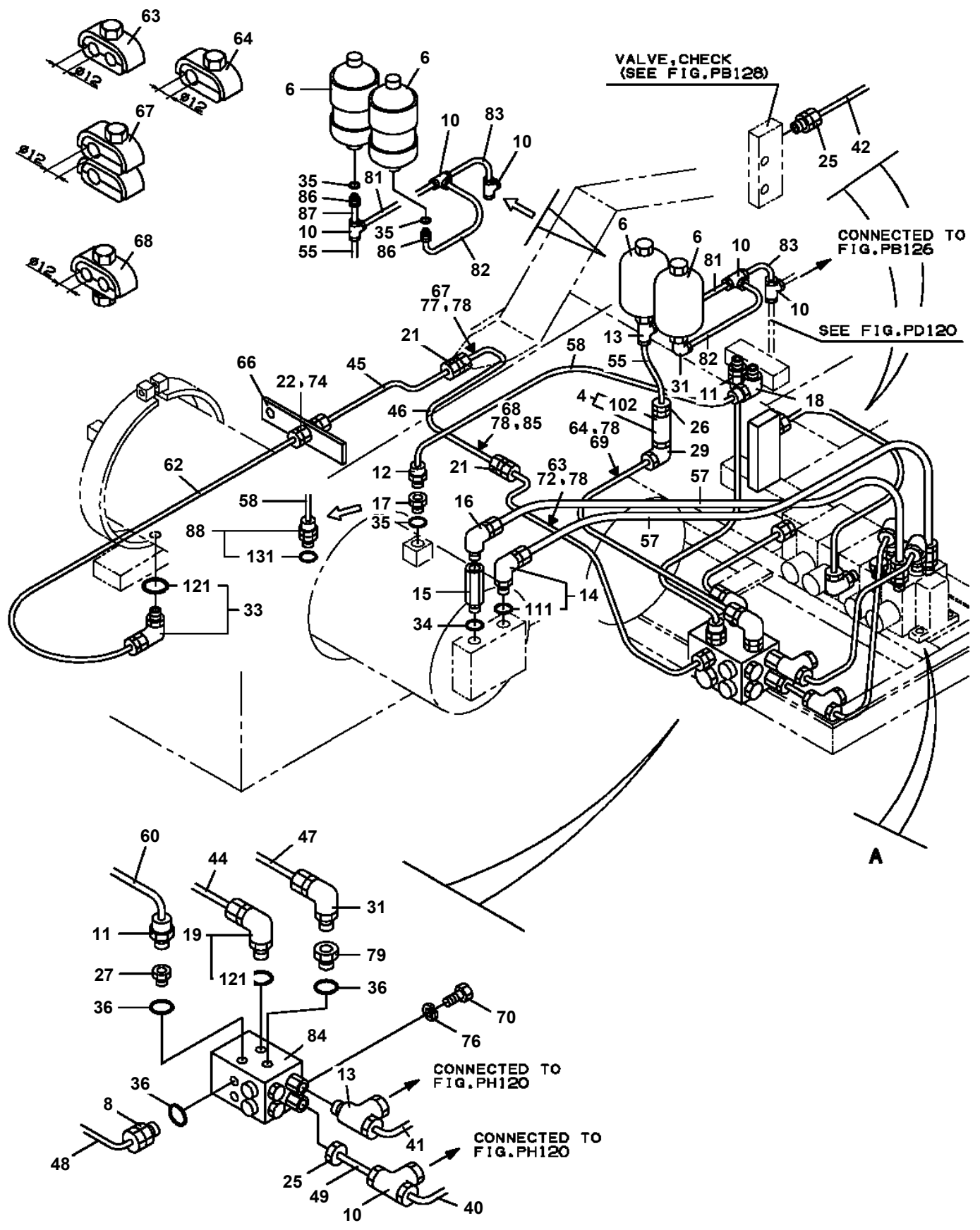
60



TL-350E-3-20101 4 BOOM + JIB, 2M2D, K354LE
PF1090006-01 SOCKET,ROPE



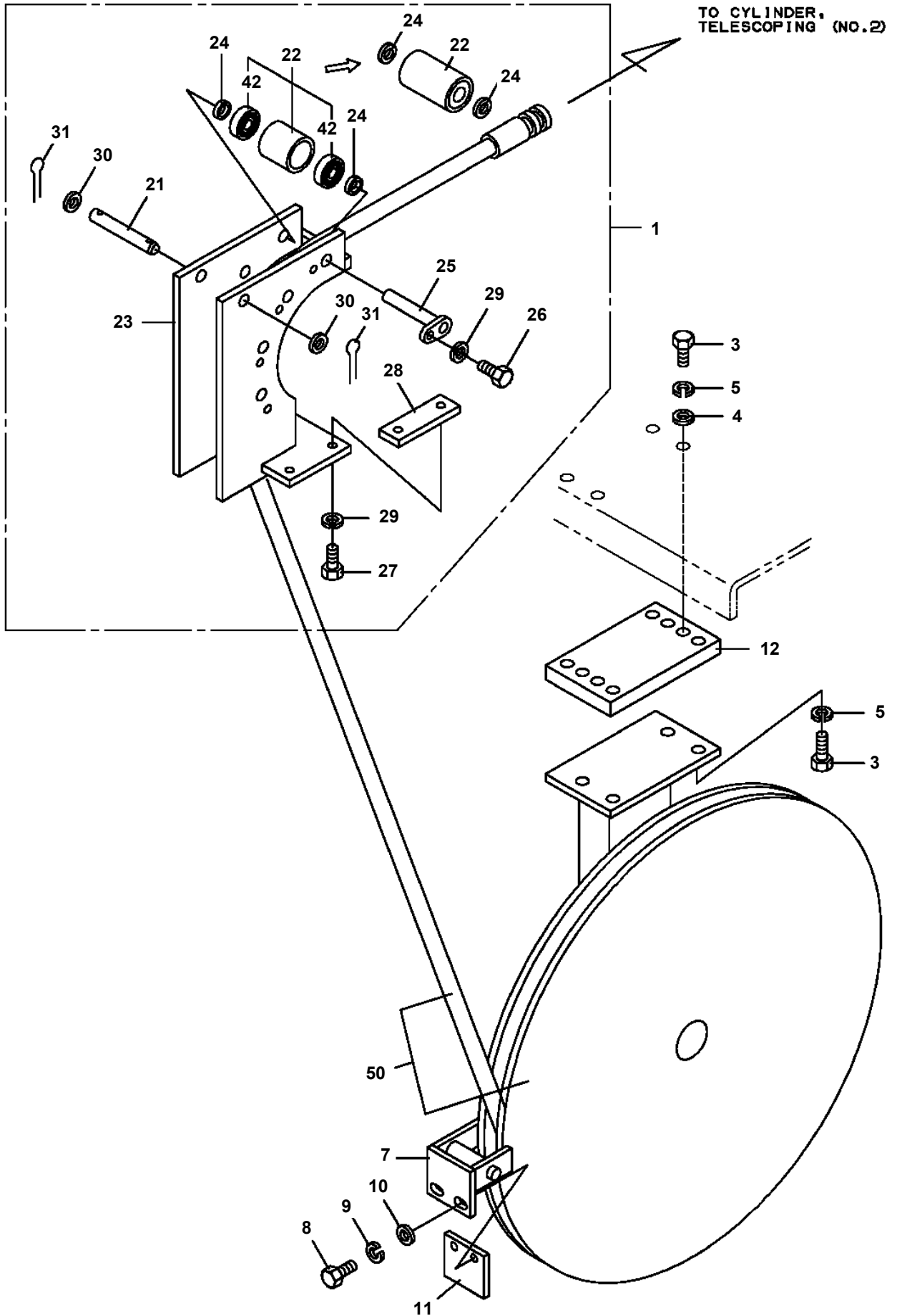
**TL-350E-3-20101 4 BOOM + JIB, 2M2D, K354LE
PF1200110-04 PIPING,WINCH (MAIN)**



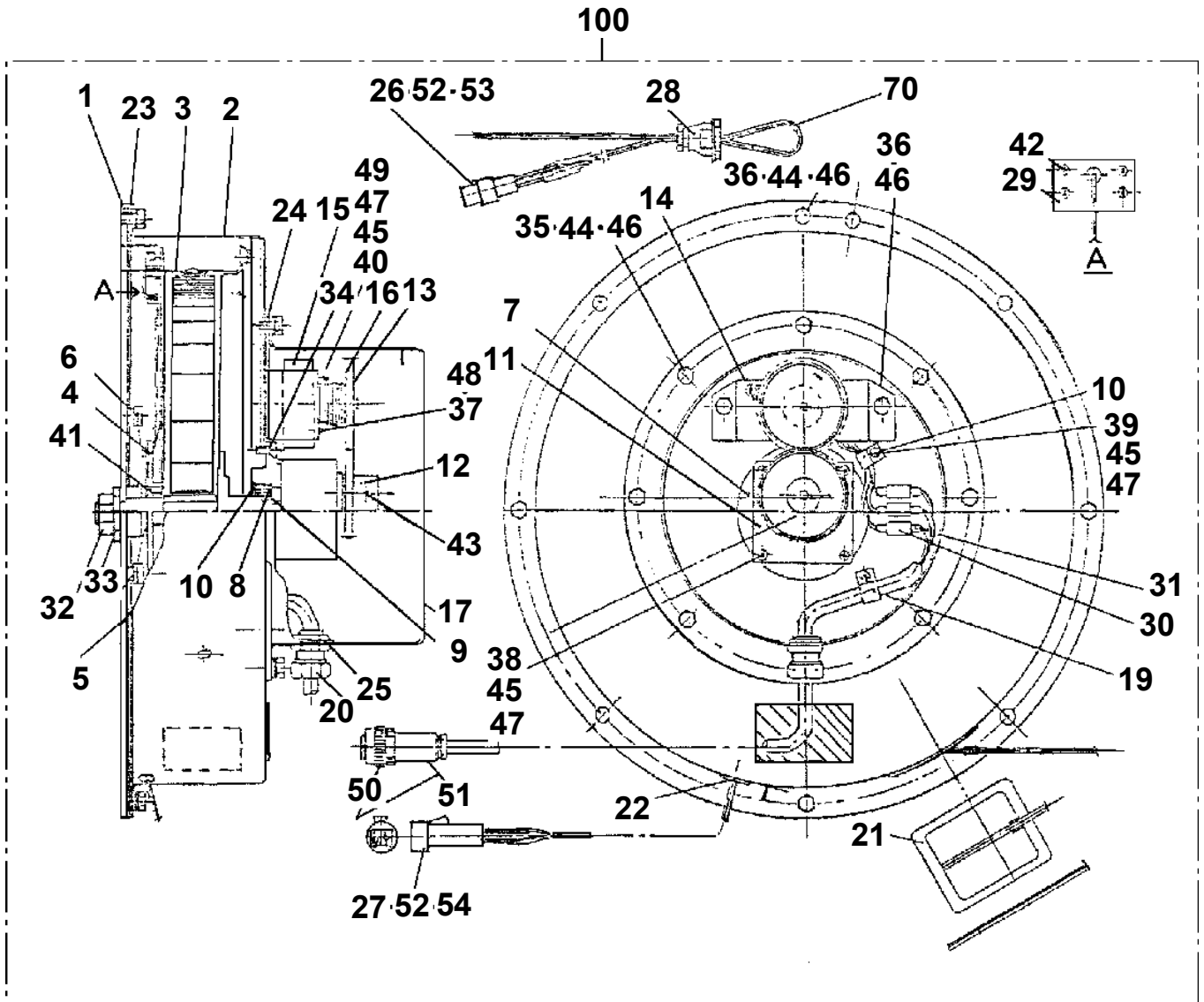
TL-350E-3-20101 4 BOOM + JIB, 2M2D, K354LE

Pos No.	Parts No	Parts Name	Qty	Unit	Technical Data	Serial No (Start)	Serial No (End)	Rema
111	33310660201	SUPPORT	1			355343		
117	37000130470	PIN	2		16	355343		

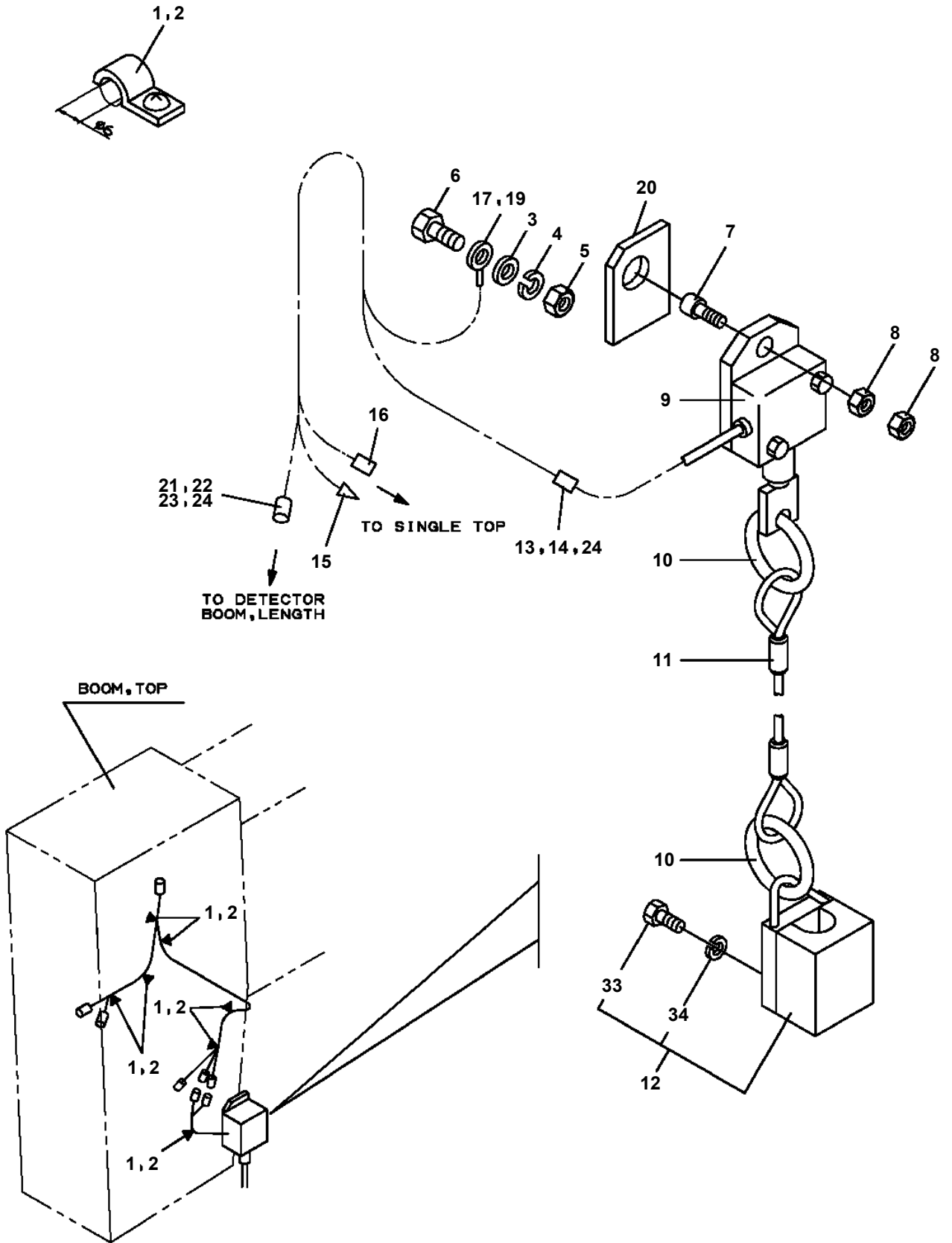
**TL-350E-3-20101 4 BOOM + JIB, 2M2D, K354LE
PG1070067-01 REEL, HOSE (MOUNT)**



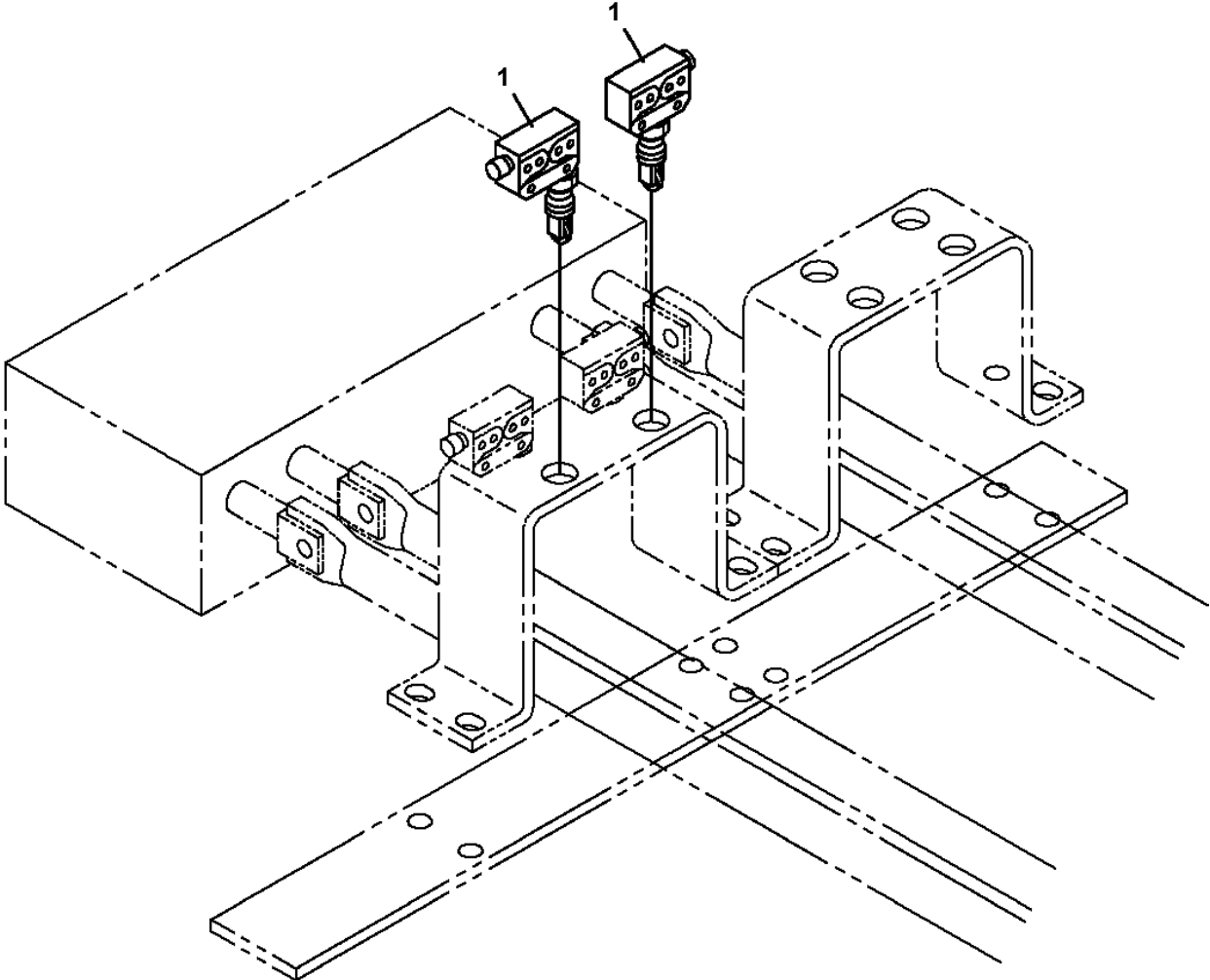
TL-350E-3-20101 4 BOOM + JIB, 2M2D, K354LE
PG1130079-00 DETECTOR,BOOM LENGTH



**TL-350E-3-20101 4 BOOM + JIB, 2M2D, K354LE
PH1060073-02 DETECTOR, OVER WINDING (BOOM)**



**TL-350E-3-20101 4 BOOM + JIB, 2M2D, K354LE
PH1170031-00 DETECTOR,CONTROL VALVE ACTUATION**



CLICK HERE TO **DOWNLOAD** THE COMPLETE MANUAL

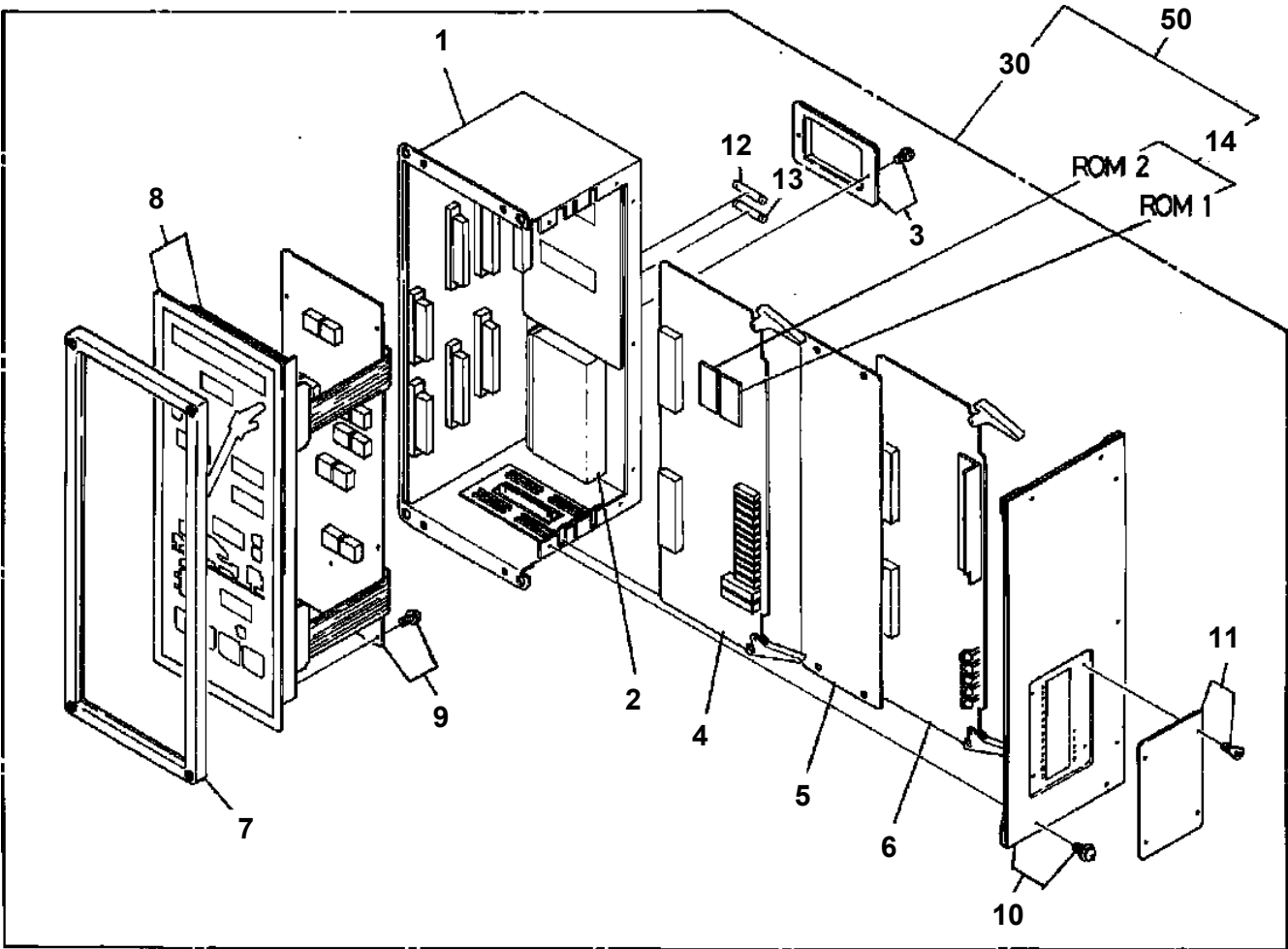
- Thank you very much for reading the preview of the manual.
- You can download the complete manual from: www.heydownloads.com by clicking the link below



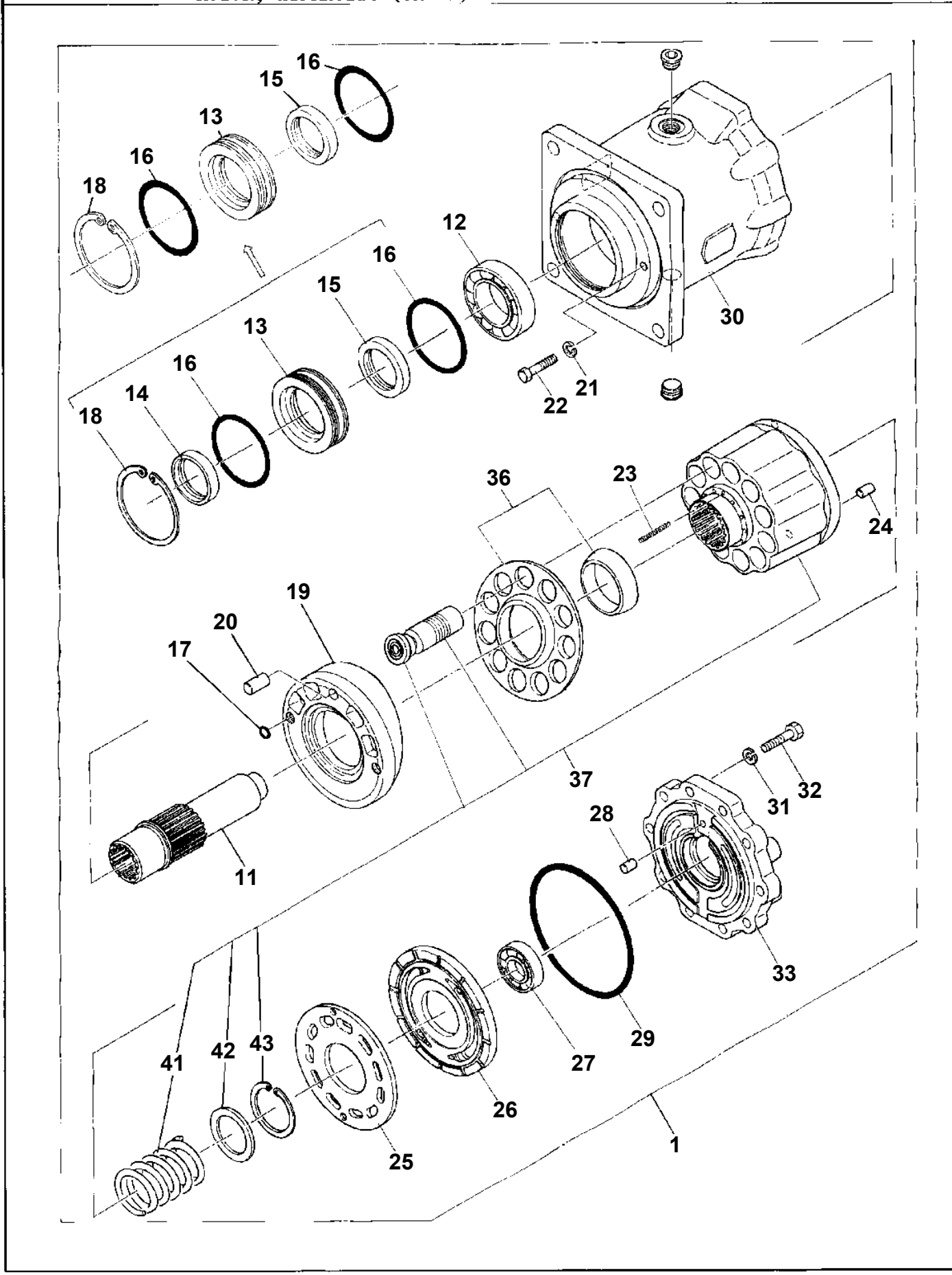
- Please note: If there is no response to CLICKING the link, please download this PDF first and then click on it.

CLICK HERE TO **DOWNLOAD** THE COMPLETE MANUAL

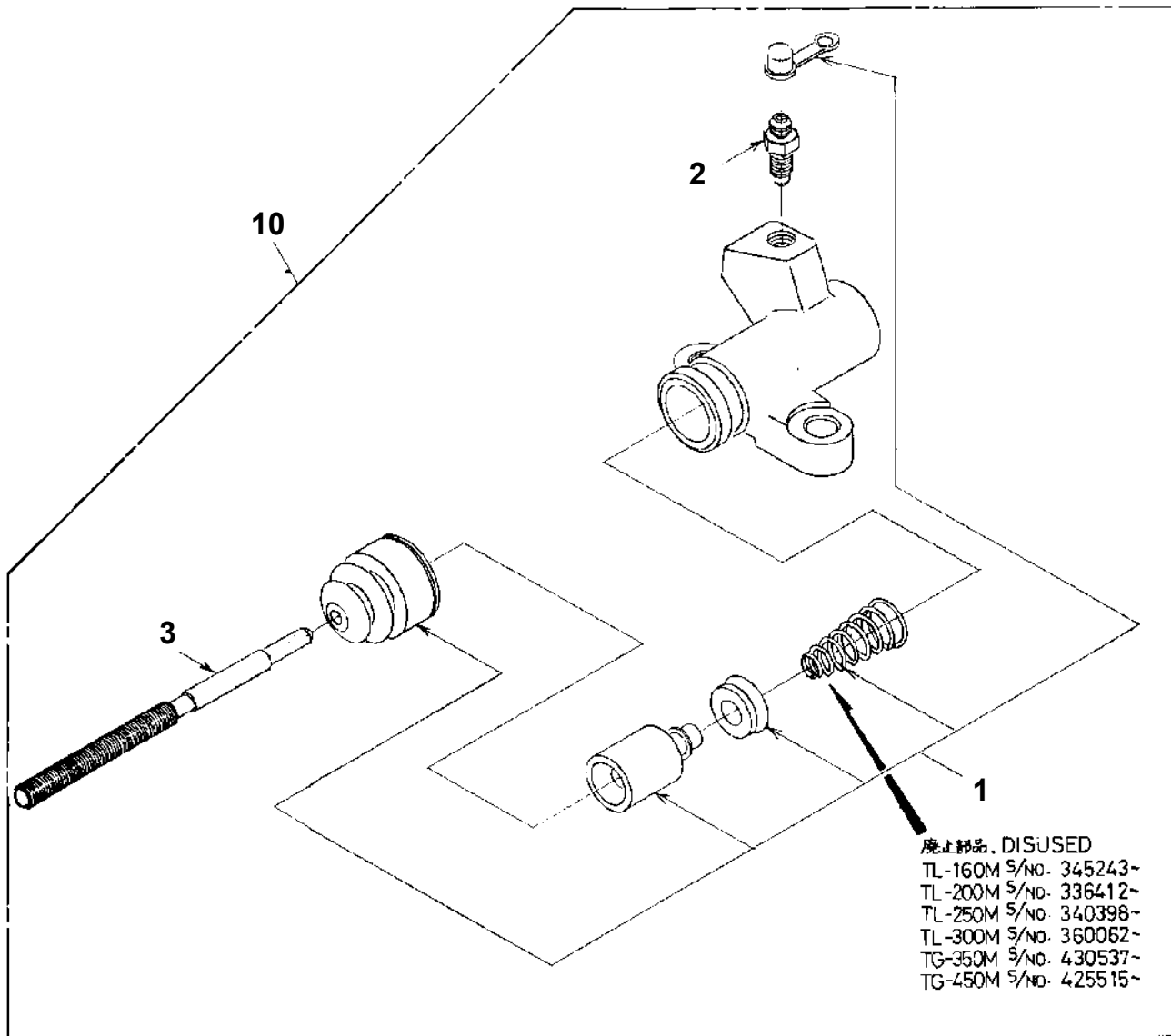
TL-350E-3-20101 4 BOOM + JIB, 2M2D, K354LE
PH1250008-01 MOMENT LIMITER (AML-M1)



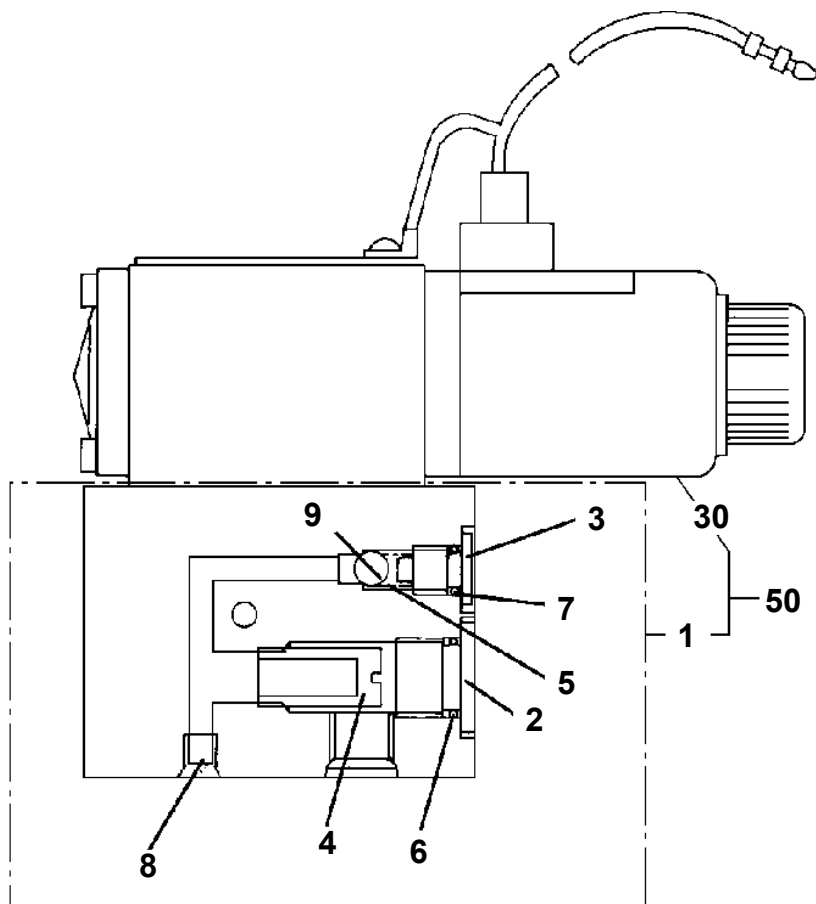
TL-350E-3-20101 4 BOOM + JIB, 2M2D, K354LE
PI1010111-00 MOTOR, HYDRAULIC (SANWA)



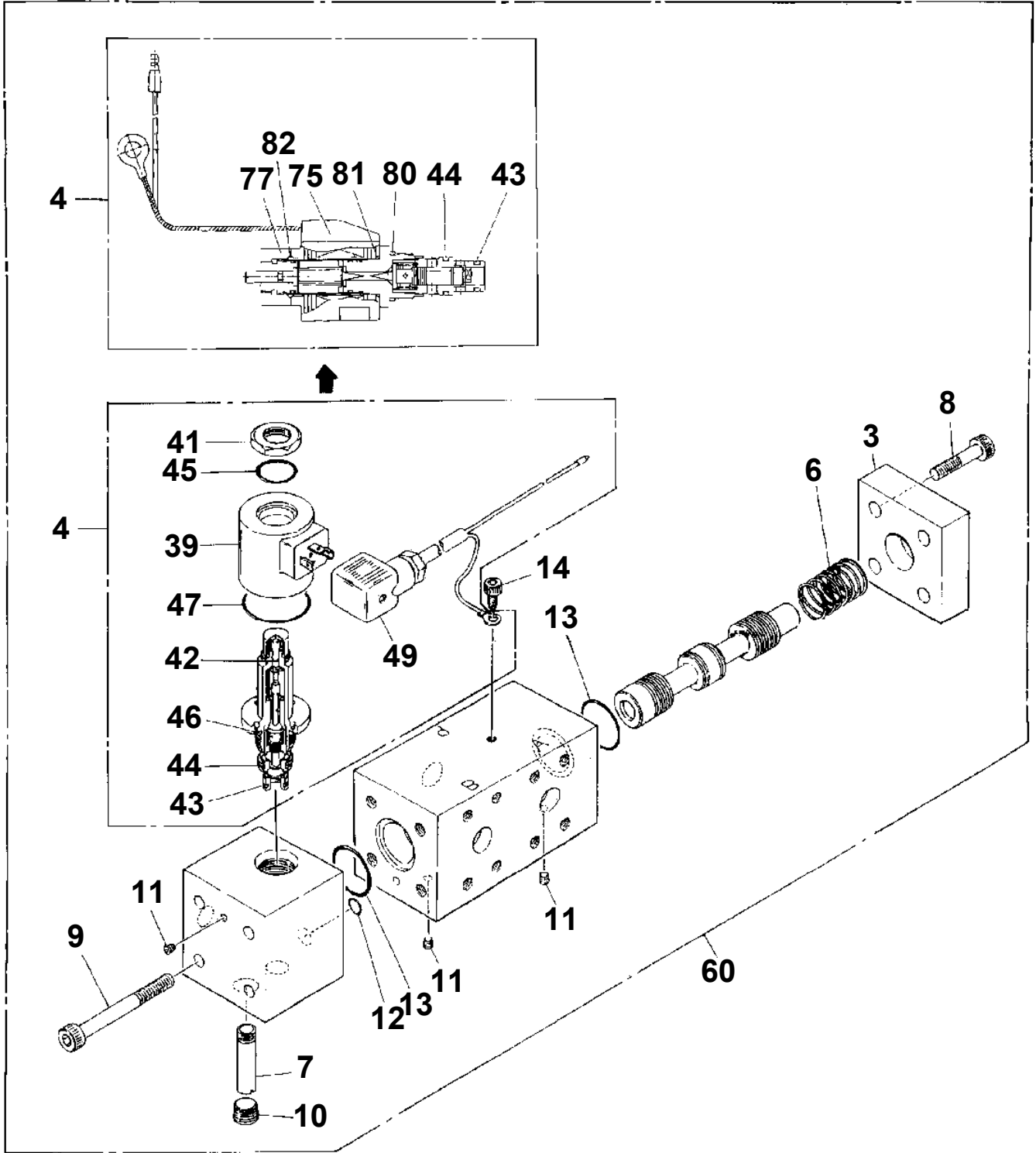
TL-350E-3-20101 4 BOOM + JIB, 2M2D, K354LE
PI1030008-01 CYLINDER,MASTER



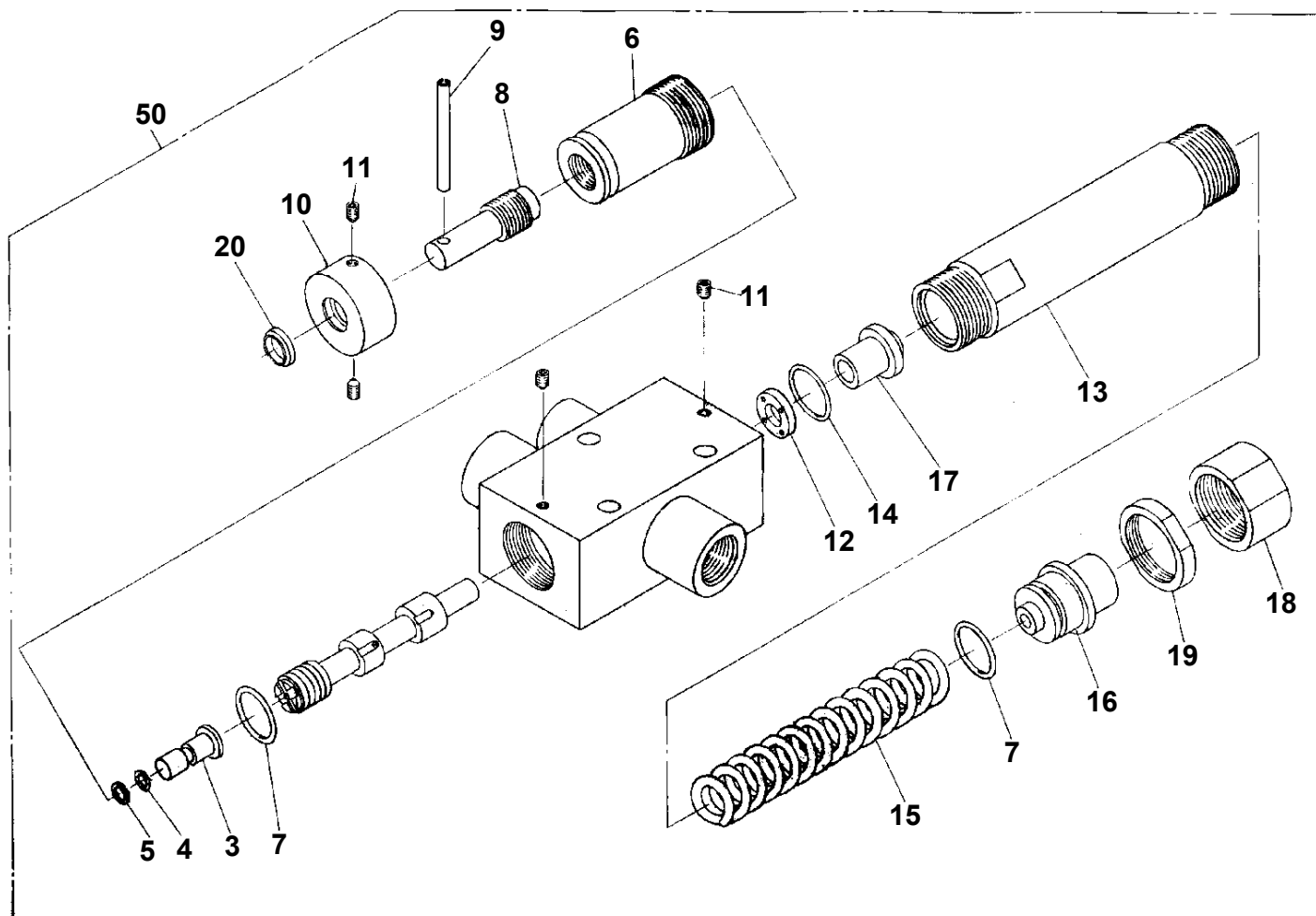
**TL-350E-3-20101 4 BOOM + JIB, 2M2D, K354LE
PI1120085-02 VALVE,SOLENOID**



TL-350E-3-20101 4 BOOM + JIB, 2M2D, K354LE
PI1130029-00 VALVE, HYDRAULIC

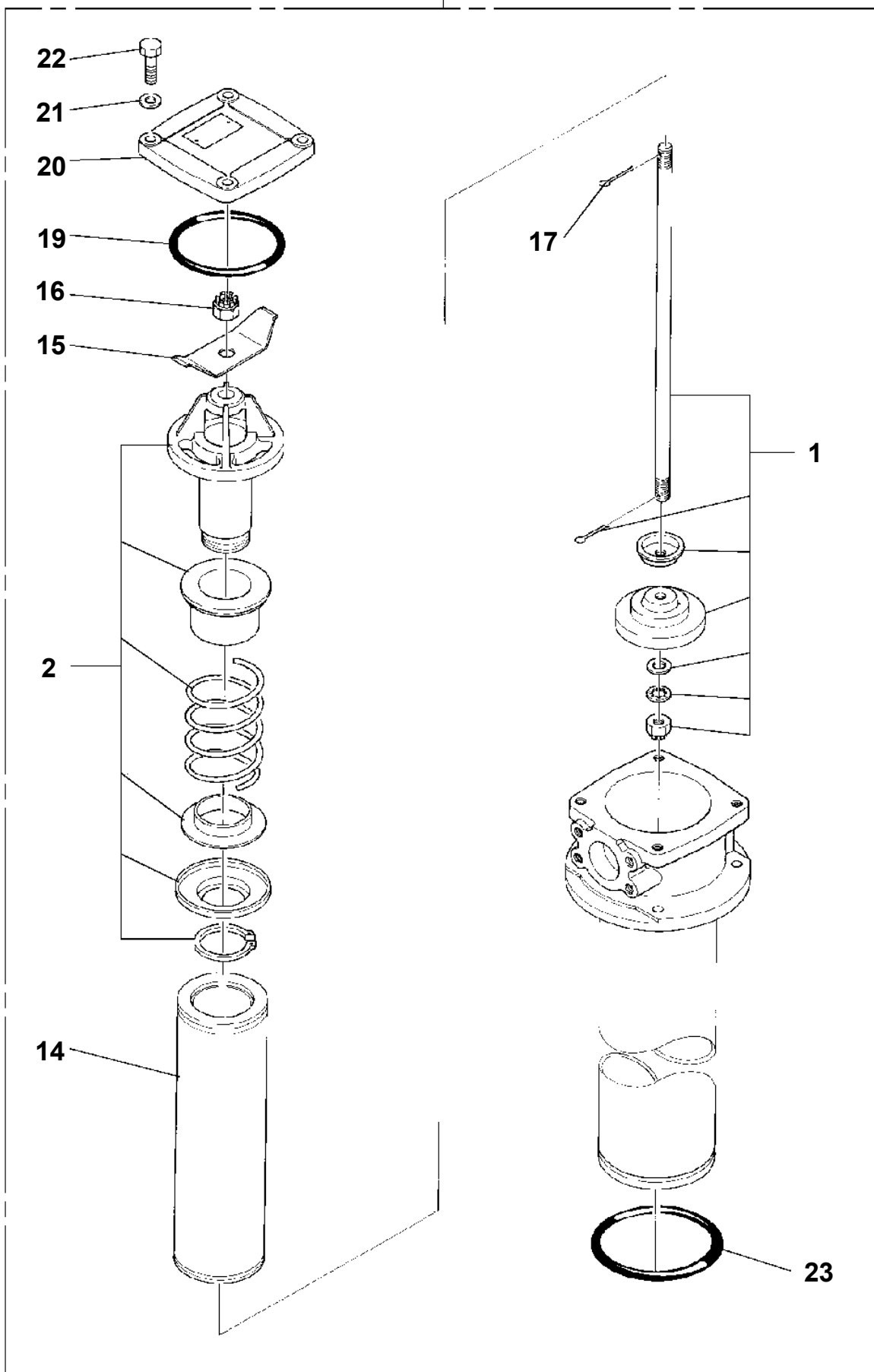


**TL-350E-3-20101 4 BOOM + JIB, 2M2D, K354LE
PI1160007-00 VALVE,FLOW CONTROL**



TL-350E-3-20101 4 BOOM + JIB, 2M2D, K354LE
PI1300120-02 FILTER,OIL

30



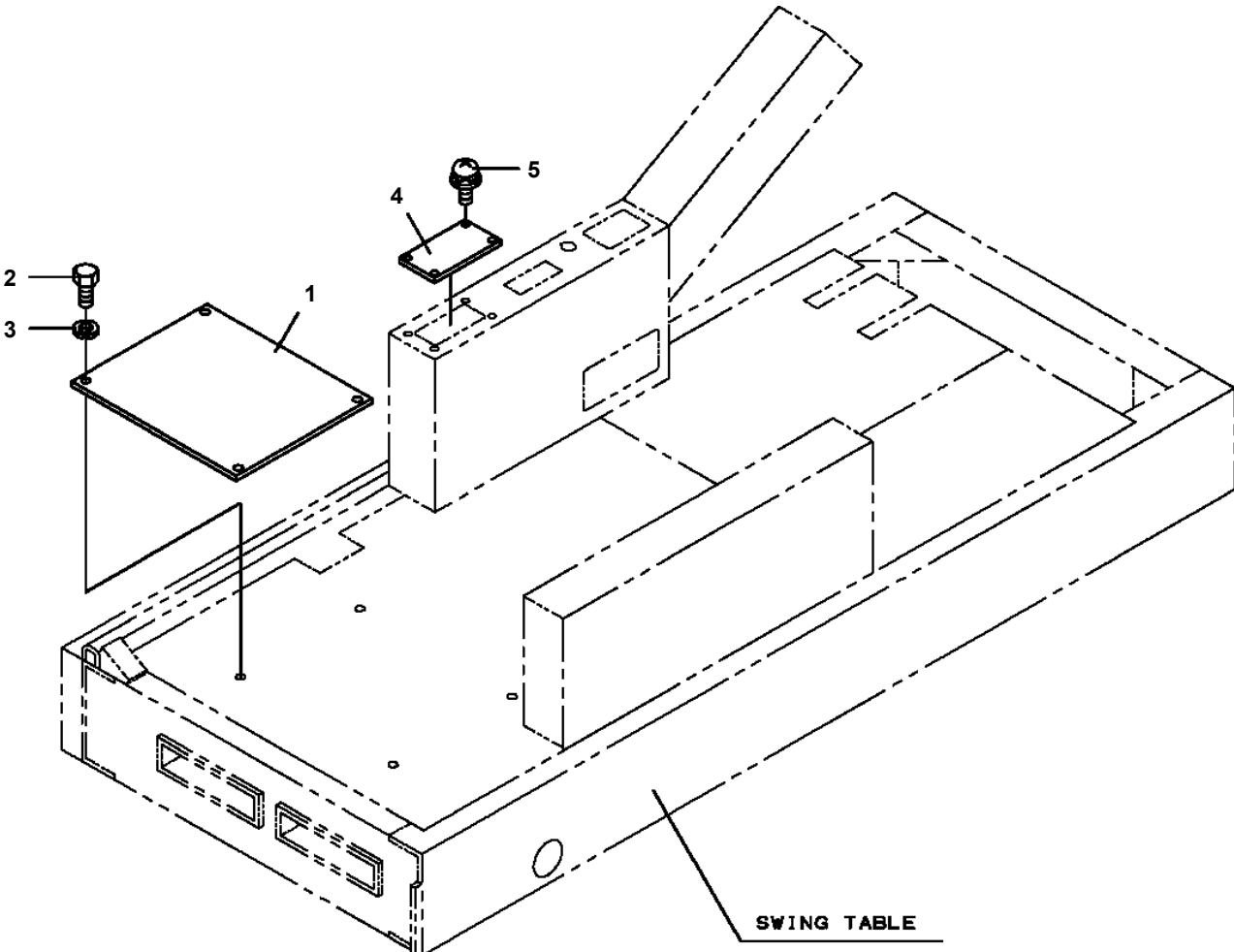
TL-350E-3-20101 4 BOOM + JIB, 2M2D, K354LE

Pos No.	Parts No	Parts Name	Qty	Unit	Technical Data	Serial No (Start)	Serial No (End)	Remarks	Pages
1	37000130130	PIN	1						
2	33230025000	STOPPER	1						
3	90101512030	BOLT	2		M12X30				
4	90302041201	WASHER,SPRING	2		12				
5	90102208012	BOLT	2		M8X12				
6	90302040801	WASHER,SPRING	2		8				
7	33230310010	COVER	1						
8	37001504070	BOLT	46		M22X130		355776		
	37001508730	BOLT	46		M22X135	355777			
9	90201702200	NUT	26		M22				
10	90303502201	WASHER,PLAIN	47		22				
11	37000130140	PIN	1						
12	33230045000	PLATE	2						
13	33230450010	TABLE,SLEWING	1						
14	16242002001	PLATE	2						
15	90101510030	BOLT	4		M10X30				
16	90302041001	WASHER,SPRING	4		10				
17	37001504080	BOLT	1		M22X115		355776		
	37001503550	BOLT	1		M22X120	355777			
31	33441151100	SUPPORT	1						

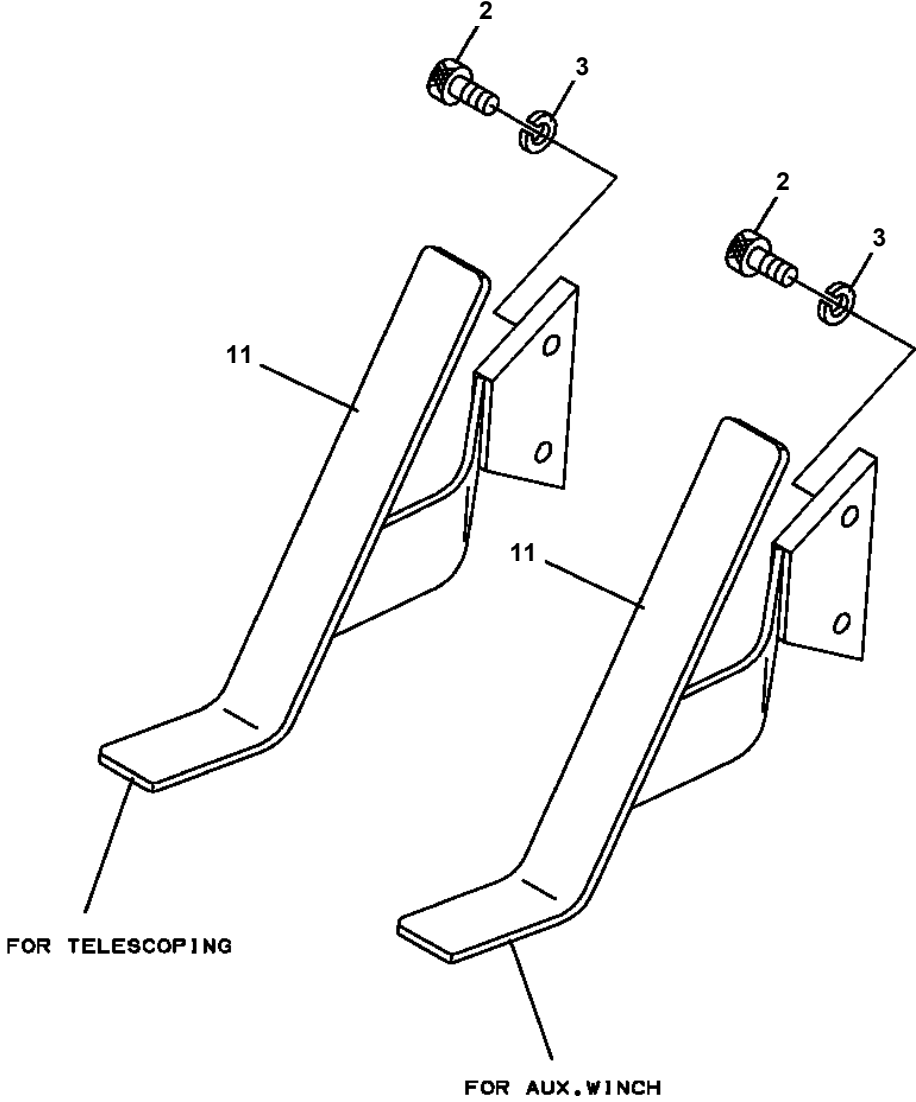
TL-350E-3-20101 4 BOOM + JIB, 2M2D, K354LE

Pos No.	Parts No	Parts Name	Qty	Unit	Technical Data	Serial No (Start)	Serial No (End)	Remarks
1	33250717510	CUSHION ASSY	1					
2	33250717520	BACK ASSY	1					
3	34250887630	ADJUSTER (RECLINING)	1					
4	33250597560	BOLT (WITH WASHER)	4					
5	33250717540	HINGE	1					
6	33250717550	WASHER	1					
7	33250717560	WASHER,SPRING	1					
8	33250717570	ADJUSTER (RH)	1					
9	33250717580	ADJUSTER (LH)	1					
10	33250717590	SCREW	4					
11	33250717600	GROMMET	1					
12	33250717610	ORNAMENT	1					
13	33250717620	RISER ASSY (SEAT)	1					
14	34430077620	NUT,CAP	4		M8XP1.25			
21	33250717630	SEAT ASSY	1					
30	33250711000	SEAT,OPERATOR	1					

**TL-350E-3-20101 4 BOOM + JIB, 2M2D, K354LE
PK1330002-01 COVER (WITHOUT HEATER,OP.)**



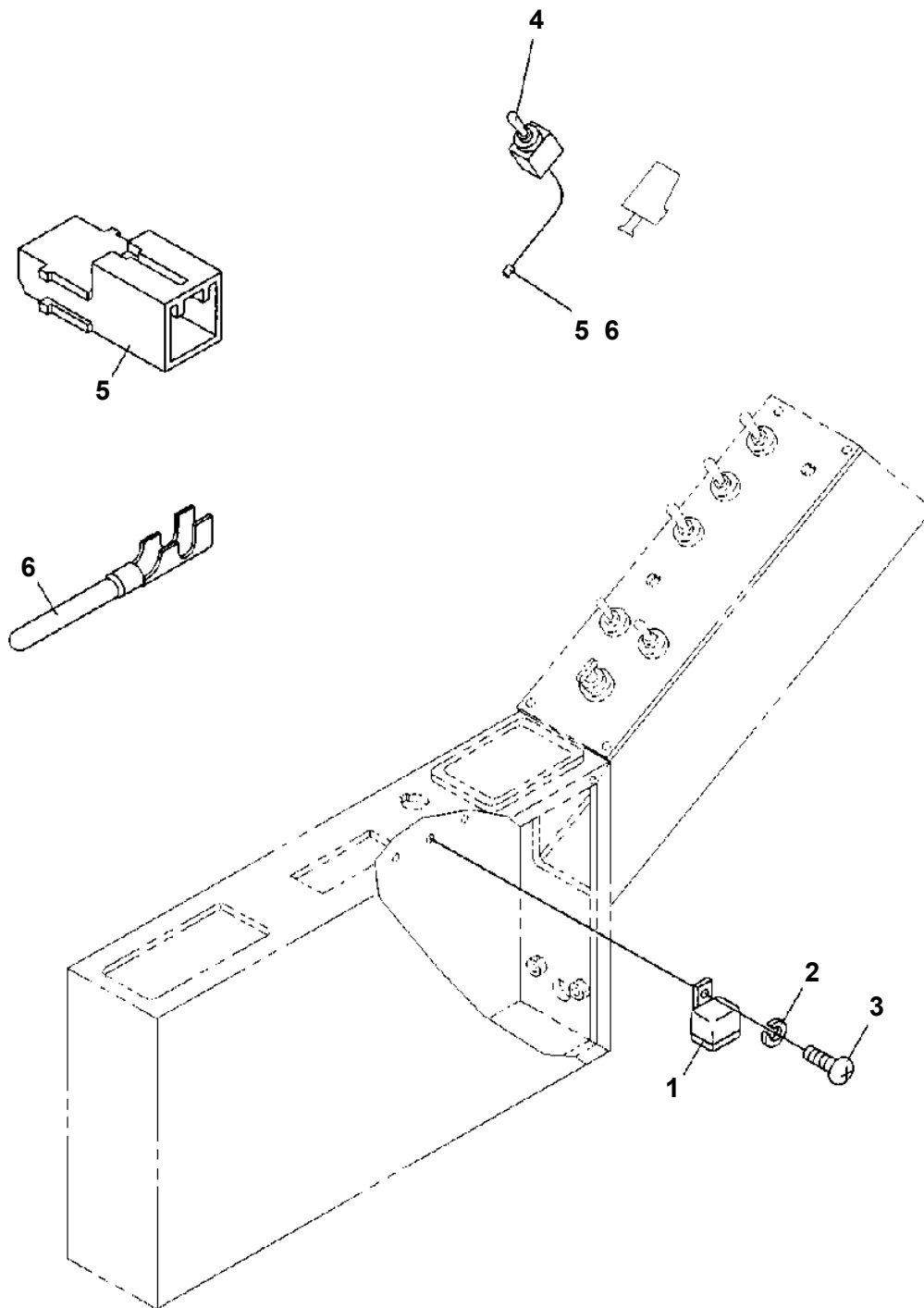
**TL-350E-3-20101 4 BOOM + JIB, 2M2D, K354LE
PL1010136-02 OPE.ASSY,CONT.VALVE (PEDAL)**



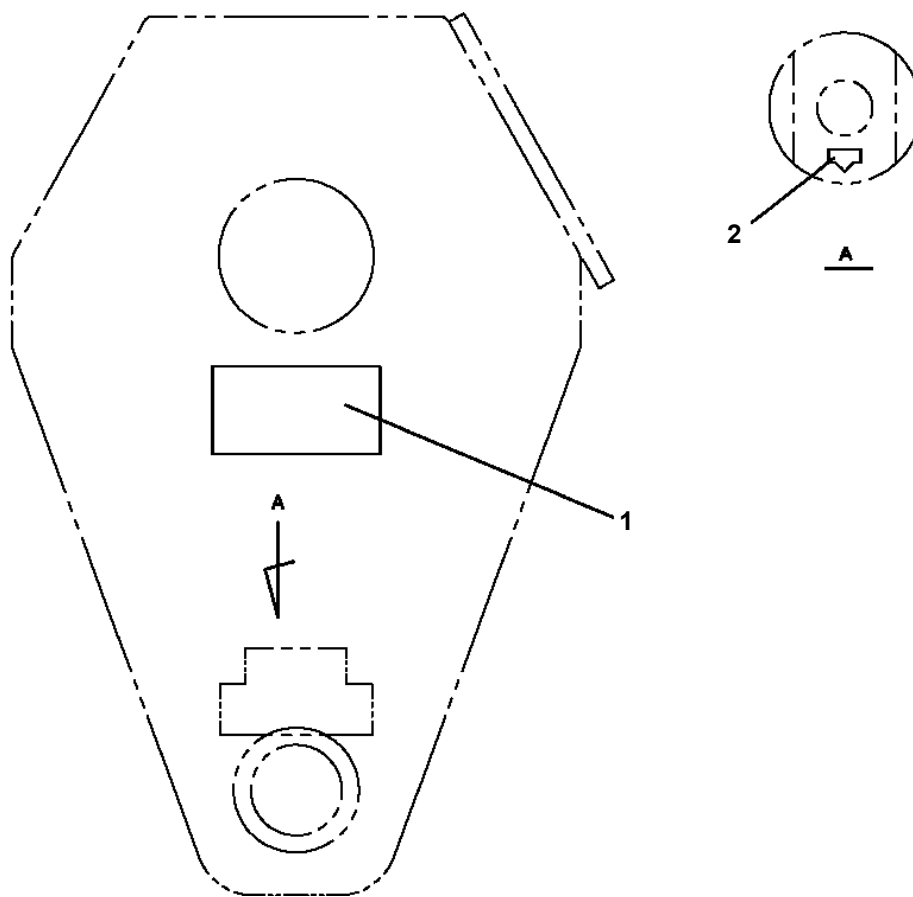
TL-350E-3-20101 4 BOOM + JIB, 2M2D, K354LE

Pos No.	Parts No	Parts Name	Qty	Unit	Technical Data	Serial No (Start)	Serial No (End)
1	33330140100	STOPPER ASSY	1				
2	90131706012	BOLT,HEXAGON SOCKET	2		M6X12		
3	90201200600	NUT	2		M6		
4	90302040601	WASHER,SPRING	6		6		
5	33331041000	PEDAL ASSY	1				
6	33331040010	ROD	1				
7	19214409000	PIN	2				
8	90303070601	WASHER,PLAIN	3		6		
9	80136320012	PIN,SPLIT	3		2X12		
10	36061371000	CYLINDER,MASTER (MIYAKO)	1				
	36061372000	CYLINDER,MASTER (NABCO)	1				
11	80303030140	FITTING,ELBOW	1		KLN12-020N		
12	80301010100	FITTING	1		KUA12-000N		
13	37000118090	PIN	1				
14	90303070801	WASHER,PLAIN	1		8		
15	80136320016	PIN,SPLIT	1		2X16		
16	33331040100	LEVER	1				
17	90303071001	WASHER,PLAIN	1		10		
18	80136332020	PIN,SPLIT	1		3.2X20		
19	90101206012	BOLT	6		M6X12		
20	19214408000	END	1				
21	90101208030	BOLT	2		M8X30		
22	90201200800	NUT	2		M8		
23	90302040801	WASHER,SPRING	2		8		
25	91801300150	CLIP	2		D=13-15		
27	90101208020	BOLT	1		M8X20		
28	37000700040	CLAMP ASSY	2				
29	37001702970	CABLE,CONTROL	1				
30	37001601300	NUT	1				
31	80192485014	SCREW,MACHINE (WITH WASHER)	2		M5X14		
32	37000700010	CLAMP ASSY	1		15		
33	37000705240	CLAMP ASSY	2		15		
34	81408000160	PIPE,STEEL	1	M	12X1.4T		
35	37000711000	CLAMP ASSY	2		12-1		
37	14118156000	GROMMET	1				
38	36100250000	RESERVOIR,OIL	1				
39	80303030160	FITTING,ELBOW	1		KLN12-030N		355776
	80320010080	FITTING	1		KUD12-030N	355777	
40	81408000160	PIPE,STEEL	1	M	12X1.4T		
42	37002500650	HOSE	1		L=1170		
43	59457138000	PLUG ASSY	1				355776
	37005700010	CLAMP	1		12X1	355777	
44	37000913070	JOINT	1				355776
	90186208035	BOLT,FLANGE	1		M8X35	355777	
45	37002417530	HOSE	1		L=500		355776
	37002407310	HOSE	1		L=355	355777	
46	80430450650	JOINT	1				
47	33331040200	END	1				
48	37000508370	PLATE	1				355776
	37000503210	SUPPORT	1			355777	
49	37000115480	PIN	1				
50	82100001819	TUBE,SPIRAL	1	M	SE-18BK		
51	37000502450	PLATE	2				
52	33331048010	PEDAL ASSY	1				
53	33330148040	STOPPER ASSY	1				
54	90302040601	WASHER,SPRING	2		6		
55	90201200800	NUT	1		M8		
61	90102210035	BOLT	1		M10X35		
62	90201201000	NUT	2		M10		
63	90303071001	WASHER,PLAIN	1		10		
64	33330041300	SUPPORT	1				
65	33330041400	SUPPORT	1				
66	90102210055	BOLT	1		M10X55		

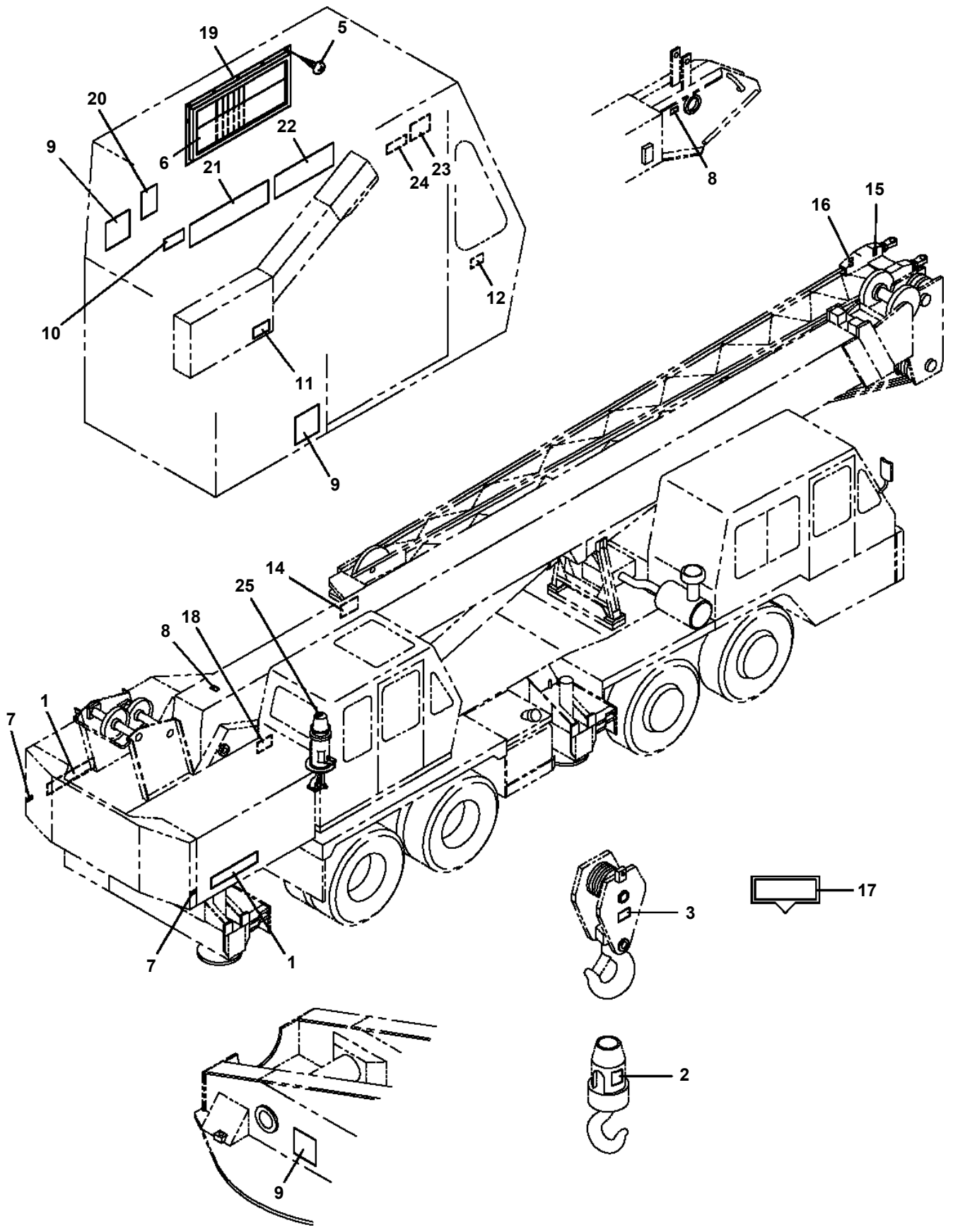
**TL-350E-3-20101 4 BOOM + JIB, 2M2D, K354LE
PN1140084-00 SWITCH,DETECTOR (F/J)**



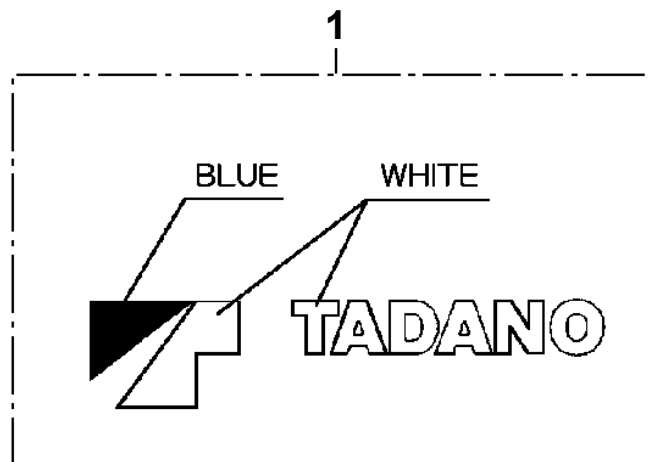
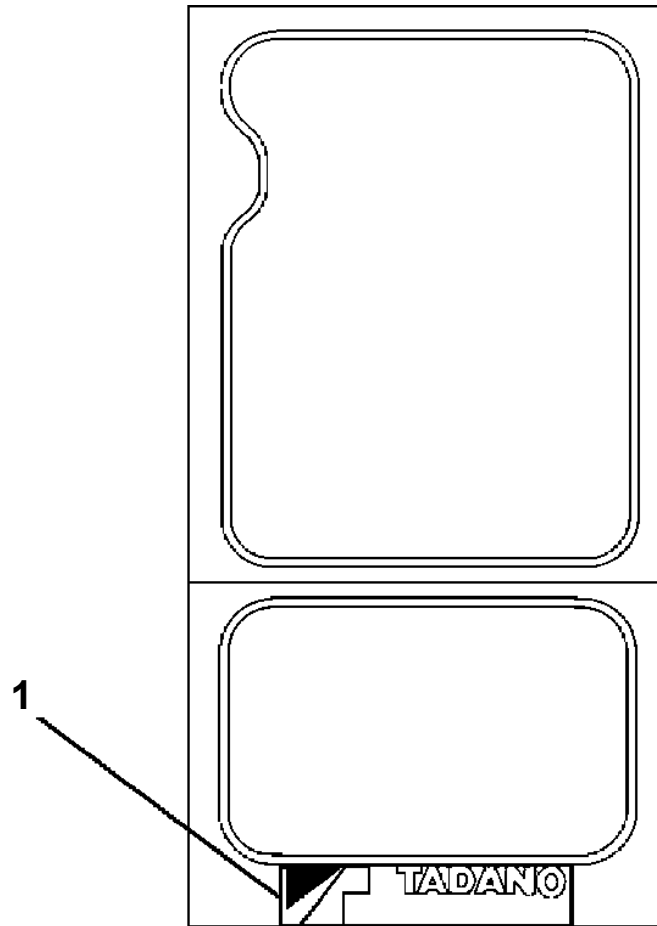
TL-350E-3-20101 4 BOOM + JIB, 2M2D, K354LE
PO1010687-00 PLATE ASSY,NAME (OPTION,HOOK)



TL-350E-3-20101 4 BOOM + JIB, 2M2D, K354LE
PO1011453-01 PLATE ASSY,NAME (UPPER 2)



TL-350E-3-20101 4 BOOM + JIB, 2M2D, K354LE
PO1030010-00 TADANO (CAB,BLUE/WHITE)



**TL-350E-3-20101 4 BOOM + JIB, 2M2D, K354LE
PW1010196-01 ACCESSORIES**

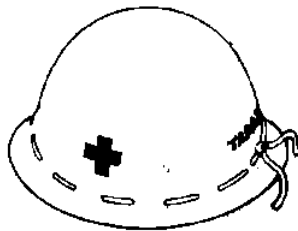
3



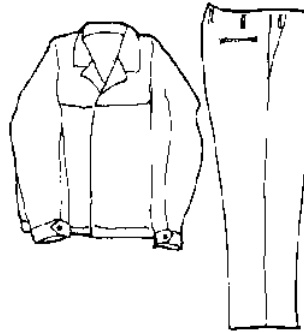
4



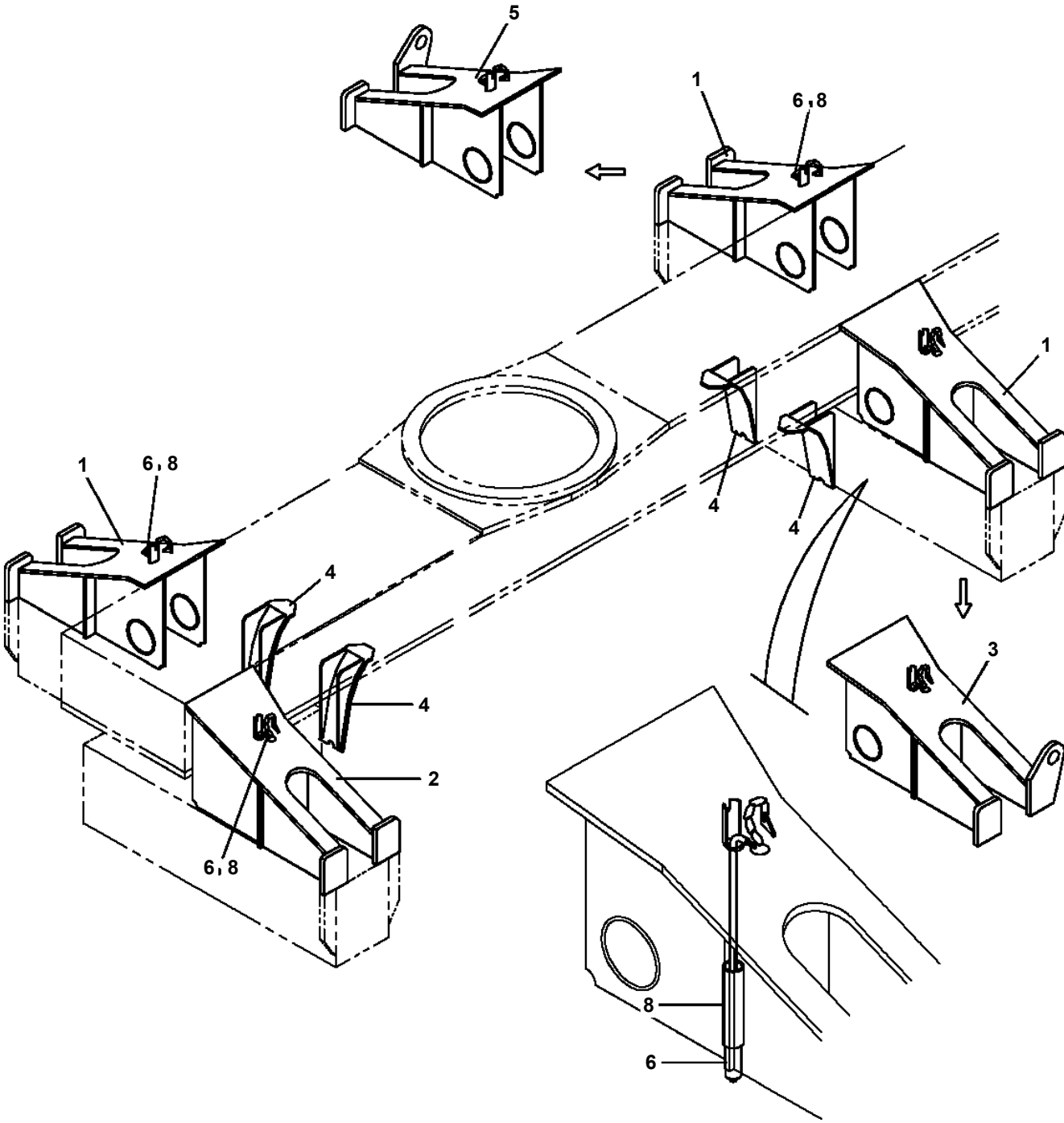
6



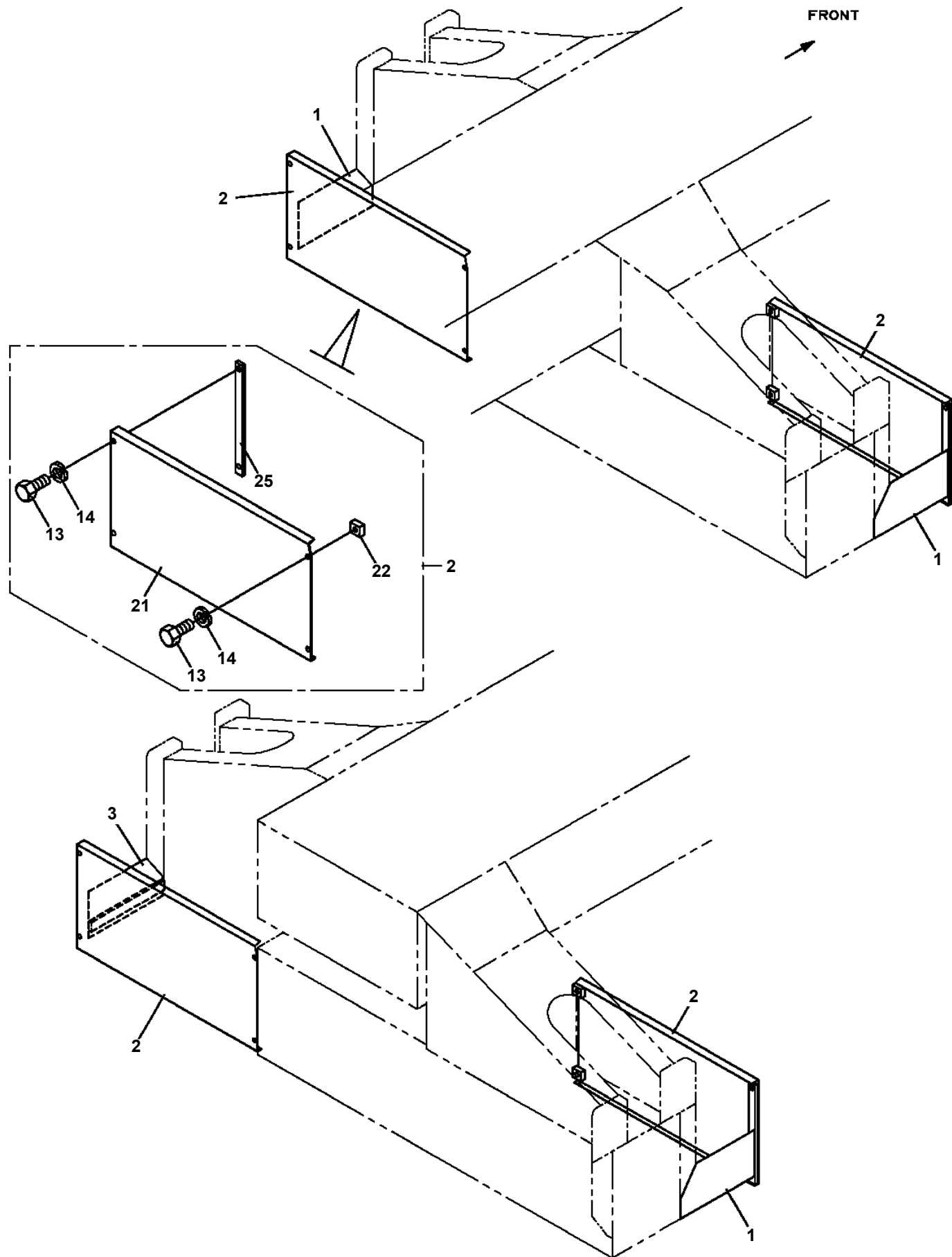
20



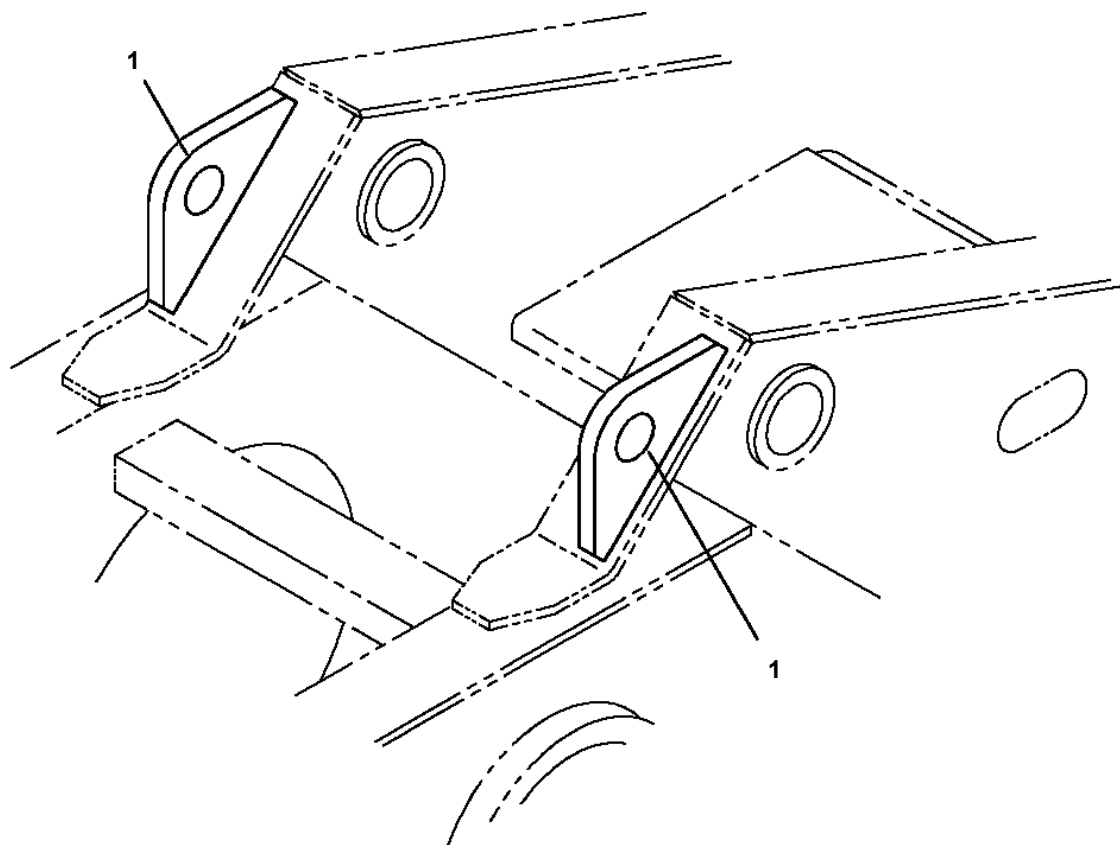
**TL-350E-3-20101 4 BOOM + JIB, 2M2D, K354LE
PX1140043-01 OUTRIGGER SUPPORT INSTALLATION**



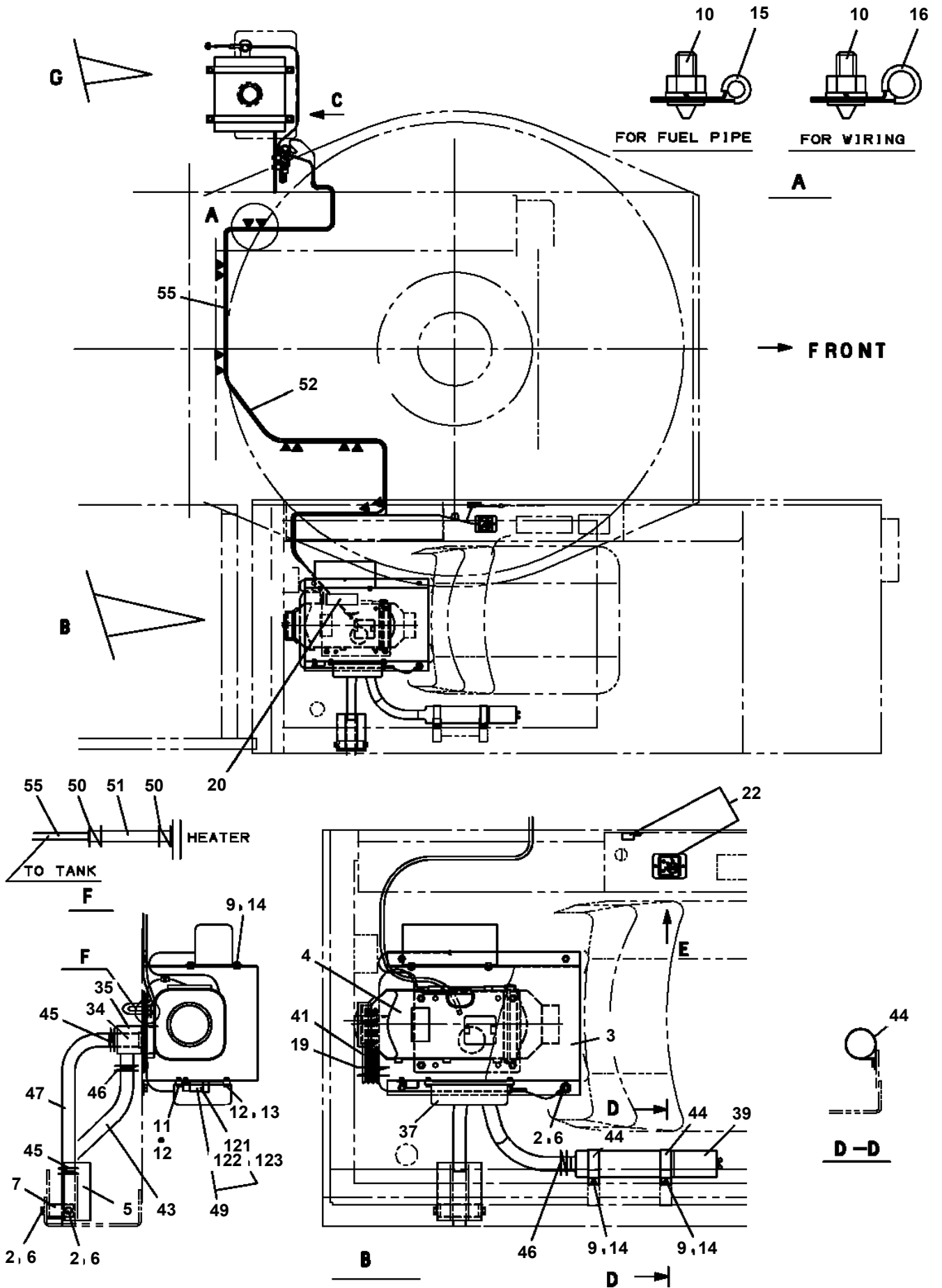
TL-350E-3-20101 4 BOOM + JIB, 2M2D, K354LE
PX1250051-00 COVER (OUTRIGGER)



**TL-350E-3-20101 4 BOOM + JIB, 2M2D, K354LE
PX1810061-00 MOUNT,SUPP0RT (SHIPMENT)**

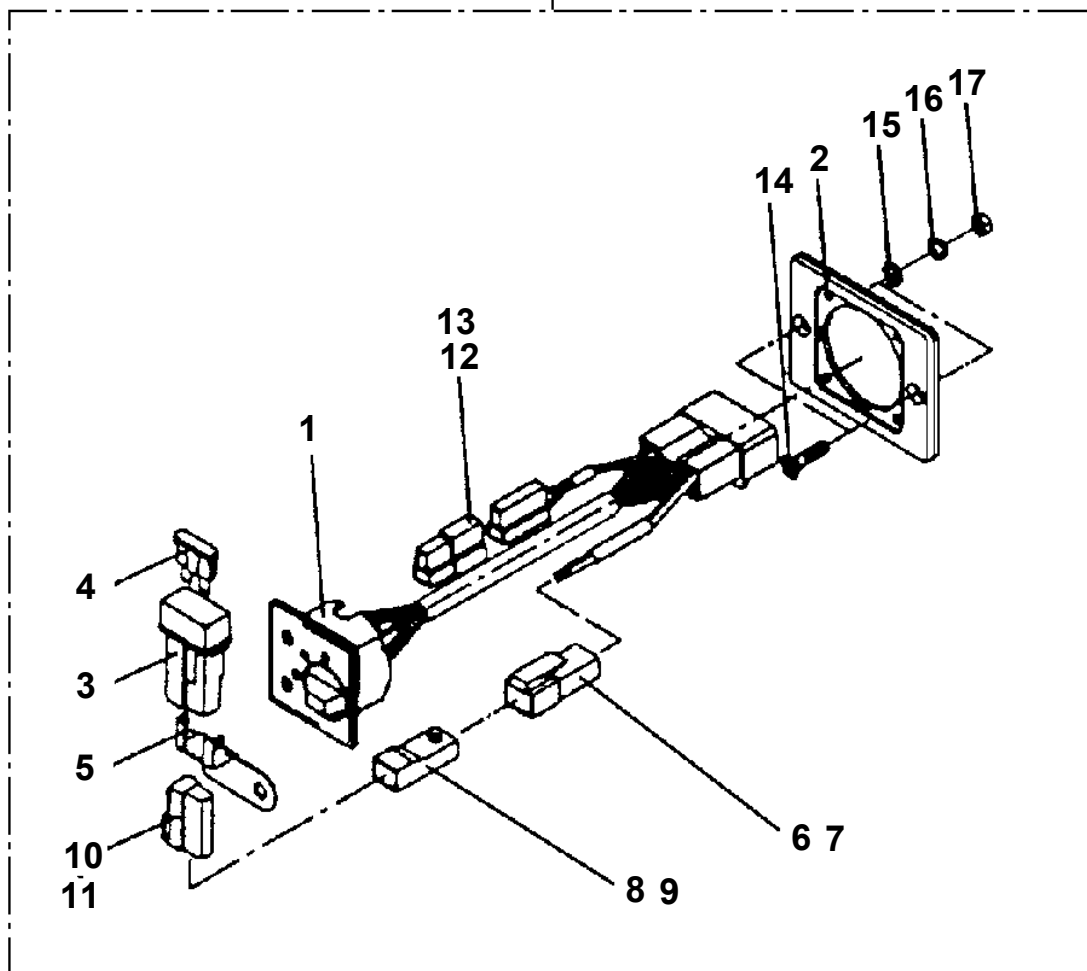


**TL-350E-3-20101 4 BOOM + JIB, 2M2D, K354LE
 PY1100109-01 HEATER SYSTEM (DIESEL FUEL)**



**TL-350E-3-20101 4 BOOM + JIB, 2M2D, K354LE
PY1120022-00 HEATER (PANEL KIT ASSY,CONTROL)**

100



CLICK HERE TO **DOWNLOAD** THE COMPLETE MANUAL

- Thank you very much for reading the preview of the manual.
- You can download the complete manual from: www.heydownloads.com by clicking the link below



- Please note: If there is no response to CLICKING the link, please download this PDF first and then click on it.

CLICK HERE TO **DOWNLOAD** THE COMPLETE MANUAL