

TL-300E-3-10201 4 BOOM + JIB, 2M2D, KG45SXL

PB1000231-02 HYDRAULIC PRESSURE GENERATING SYSTEM

PC1000174-02 OUTRIGGER SYSTEM

PD1000215-01 SWING SYSTEM

PE1000214-02 ELEVATING SYSTEM

PF1000202-03 WINCH SYSTEM

PG1000211-02 TELESCOPING SYSTEM

PH1000197-03 SAFETY DEVICES

PK1000224-02 FRAME

PL1000219-02 CONTROL DEVICES

PN1000184-02 ELECTRIC EQUIPMENT

PO1000144-01 INDICATION PLATES

PW1000028-00 ACCESSORIES & TOOLS

PX1000227-03 MOUNTING PARTS

PY1000195-03 OPTIONS

ASSEMBLY

CLICK HERE TO **DOWNLOAD** THE COMPLETE MANUAL

- Thank you very much for reading the preview of the manual.
- You can download the complete manual from: www.heydownloads.com by clicking the link below



- Please note: If there is no response to CLICKING the link, please download this PDF first and then click on it.

CLICK HERE TO **DOWNLOAD** THE COMPLETE MANUAL

TL-300E-3-10201 4 BOOM + JIB, 2M2D, KG45SXL

Pos No.	Parts No	Parts Name	Qty	Unit	Technical Data	Serial No (Start)	Serial No (End)
1	36092270000	HOOK (SHEAVE 5 PC'S)	1				
2	(*****)	HOOK (AUXILIARY)	1				
3	37001802100	ROPE,WIRE (TSK)	1				
4	37001802120	ROPE,WIRE (TSK)	1				
5	(*****)	SOCKET,ROPE (SEIZING)	2				
7	(*****)	OPE.ASSY, WINCH BRAKE (MAIN)	1				
8	(*****)	OPE.ASSY, WINCH BRAKE (AUX.)	1				
9	(*****)	OPE.ASSY,DRUM LOCK (MAIN)	1				
10	(*****)	OPE.ASSY,DRUM LODK (AUX.)	1				
11	(*****)	OPE.ASSY,CLUTCH (MAIN)	1				
12	(*****)	OPE.ASSY,CLUTCH (AUX.)	1				
13	(*****)	DETECTOR,DISORDERLY WIND (MAIN,OPTION)	1				
14	(*****)	DETECTOR,DISORDERLY WIND (AUX.,OPTION)	1				
15	(*****)	PIPING,WINCH (MAIN,FOR SANWA MOTOR)	1				
16	(*****)	PIPING,WINCH (AUX.,FOR SANWA MOTOR)	1				
17	(*****)	PIPING,WINCH BRAKE (MAIN)	1				
18	(*****)	PIPING,WINCH BRAKE (AUX.)	1				
19	(*****)	DETECTOR,DRUM ROTATION (AML-M,OPTION)	1				
20	(*****)	MOUNT,WINCH (MAIN)	1				
21	(*****)	MOUNT,WINCH (AUX.,SANWA)	1				

TL-300E-3-10201 4 BOOM + JIB, 2M2D, KG45SXL

Pos No.	Parts No	Parts Name	Qty	Unit	Technical Data	Serial No (Start)	Serial No (End)	Remarks
1	(*****)	SWITCH,DETECTOR (F/J)	1					
4	(*****)	ELECTRICAL PARTS,CAB	1					
5	(*****)	SWITCH PANEL (OPERATION)	1					
6	(*****)	LAMP (WORKING)	1					
8	(*****)	WIRING,MATERIALS	1					

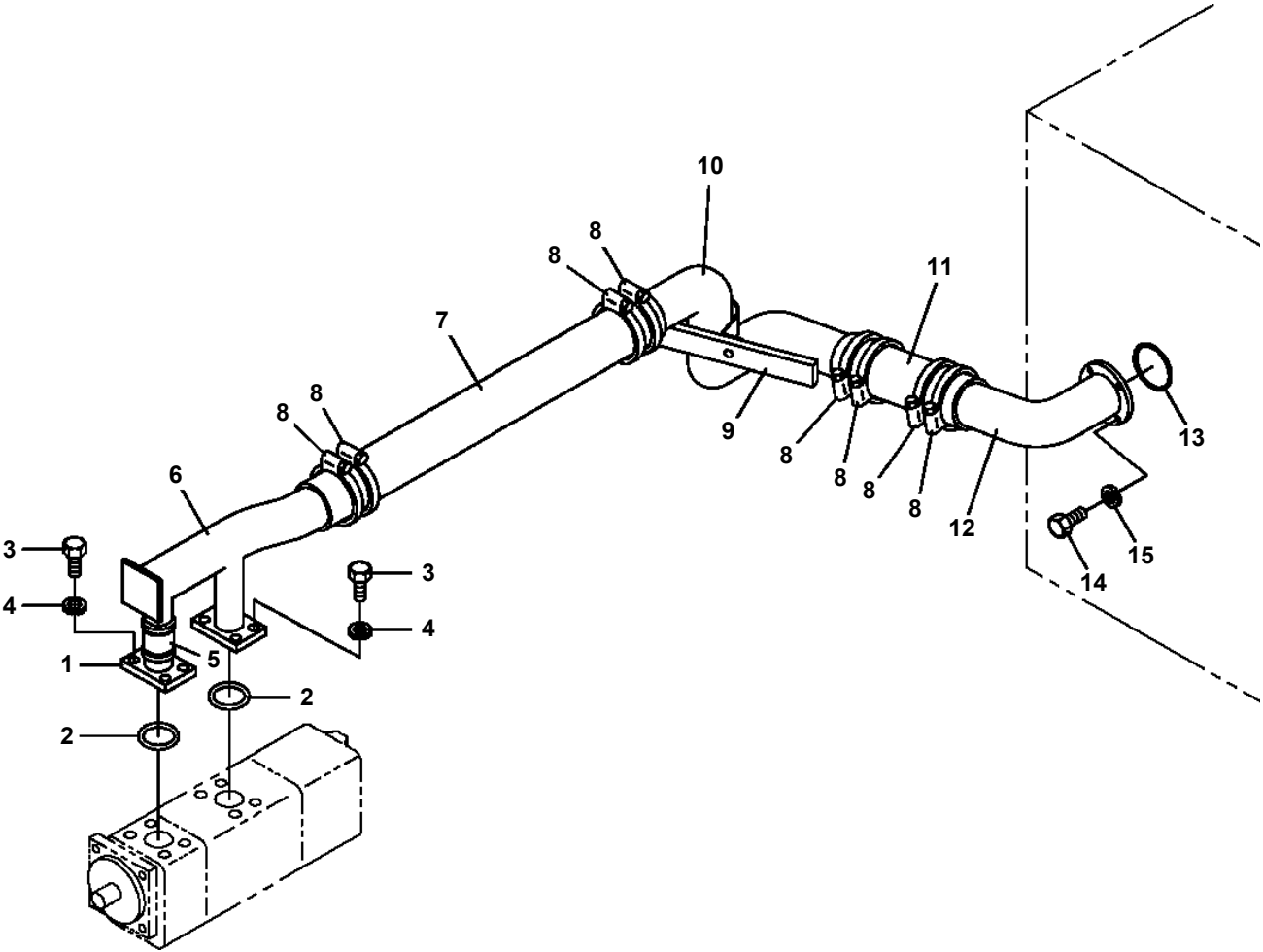
TL-300E-3-10201 4 BOOM + JIB, 2M2D, KG45SXL

PF1140016-02 OPE.ASSY,DRUM LOCK (MAIN)
PF1140017-01 OPE.ASSY,DRUM LODK (AUX.)
PF1160021-04 OPE.ASSY,CLUTCH (MAIN)
PF1160023-03 OPE.ASSY,CLUTCH (AUX.)
PF1180014-02 DETECTOR,DISORDERLY WIND (MAIN,OPTION)
PF1180015-01 DETECTOR,DISORDERLY WIND (AUX.,OPTION)
PF1200136-05 PIPING,WINCH (MAIN,FOR SANWA MOTOR)
PF1200137-03 PIPING,WINCH (AUX.,FOR SANWA MOTOR)
PF1220030-02 PIPING,WINCH BRAKE (MAIN)
PF1220092-01 PIPING,WINCH BRAKE (AUX.)
PF1250016-02 DETECTOR,DRUM ROTATION (AML-M,OPTION)
PF1300006-00 VALVE,CLUTCH
PF1320005-00 JOINT,WINCH ROTARY
PF1400061-04 MOUNT,WINCH (AUX.,SANWA)
PF1400304-00 MOUNT,WINCH (MAIN)
PG1010145-06 BOOM
PG1040063-01 JIB
PG1050082-03 CYLINDER,TELESCOPING
PG1070028-01 REEL,HOSE
PG1070034-02 REEL,HOSE (MOUNT)
PG1120028-02 DETECTOR SYSTEM, BOOM LENGTH
PG1120085-02 DETECTOR SYSTEM, BOOM LENGTH
PG1130050-02 DETECTOR,BOOM LENGTH (NICHIDEN)
PG1130054-00 DETECTOR,BOOM LENGTH (WITH ANGLE DETECT)
PG1130079-00 DETECTOR,BOOM LENGTH
PG1130107-00 DETECTOR,BOOM LENGTH (WITH ANGLE DETECT)
PG1160000-03 DETECTOR,BOOM RETRACTION (TOP)
PG1200039-05 PIPING,TELESCOPING
PG1360112-01 WIRE GUIDE (BOOM)
PH1060073-02 DETECTOR,OVER WINDING (BOOM)
PH1060077-00 DETECTOR,OVER WINDING (JIB&S/T)
PH1070001-02 SWITCH,OVER WIND DETECTOR (BOOM)
PH1170011-00 DETECTOR,CONTROL VALVE ACTUATION
PH1180083-01 CONNECTION,MOMENT LIMITER SYSTEM
PH1180135-01 CONNECTION,MOMENT LIMITER SYSTEM
PH1200018-02 PIPING,VENT
PH1200035-00 PIPING,VENT (MODIFICATION)
PH1250008-01 MOMENT LIMITER (AML-M1)
PI1010034-03 MOTOR,HYDRAULIC (SANWA)
PI1010111-00 MOTOR,HYDRAULIC (SANWA)
PI1010121-01 MOTOR,HYDRAULIC (SWING)
PI1010124-00 MOTOR,HYDRAULIC (COOLER,OIL)
PI1030007-01 CYLINDER,MASTER (MIYAKO)
PI1030008-01 CYLINDER,MASTER
PI1030008-01 CYLINDER,MASTER
PI1030011-00 CYLINDER,MASTER
PI1030012-00 CYLINDER,MASTER (NABCO)
PI1030040-00 CYLINDER,MASTER
PI1040011-00 CYLINDER,AIR
PI1050002-00 RESERVOIR,OIL
PI1120085-02 VALVE,SOLENOID
PI1120086-02 VALVE,SOLENOID
PI1120353-00 VALVE,SOLENOID
PI1130005-01 VALVE,HYDRAULIC
PI1130029-00 VALVE,HYDRAULIC
PI1140007-01 VALVE,CHECK
PI1140042-00 VALVE,CHECK
PI1140047-00 VALVE,CHECK
PI1140229-00 VALVE,CHECK
PI1160007-00 VALVE,FLOW CONTROL
PI1170000-00 VALVE,PRESSURE DETECTOR
PI1250066-00 VALVE,COUNTERBALANCE (SANWA)
PI1260011-02 CARTRIDGE, COUNTERBALANCE
PI1280002-00 VALVE,PILOT CHECK

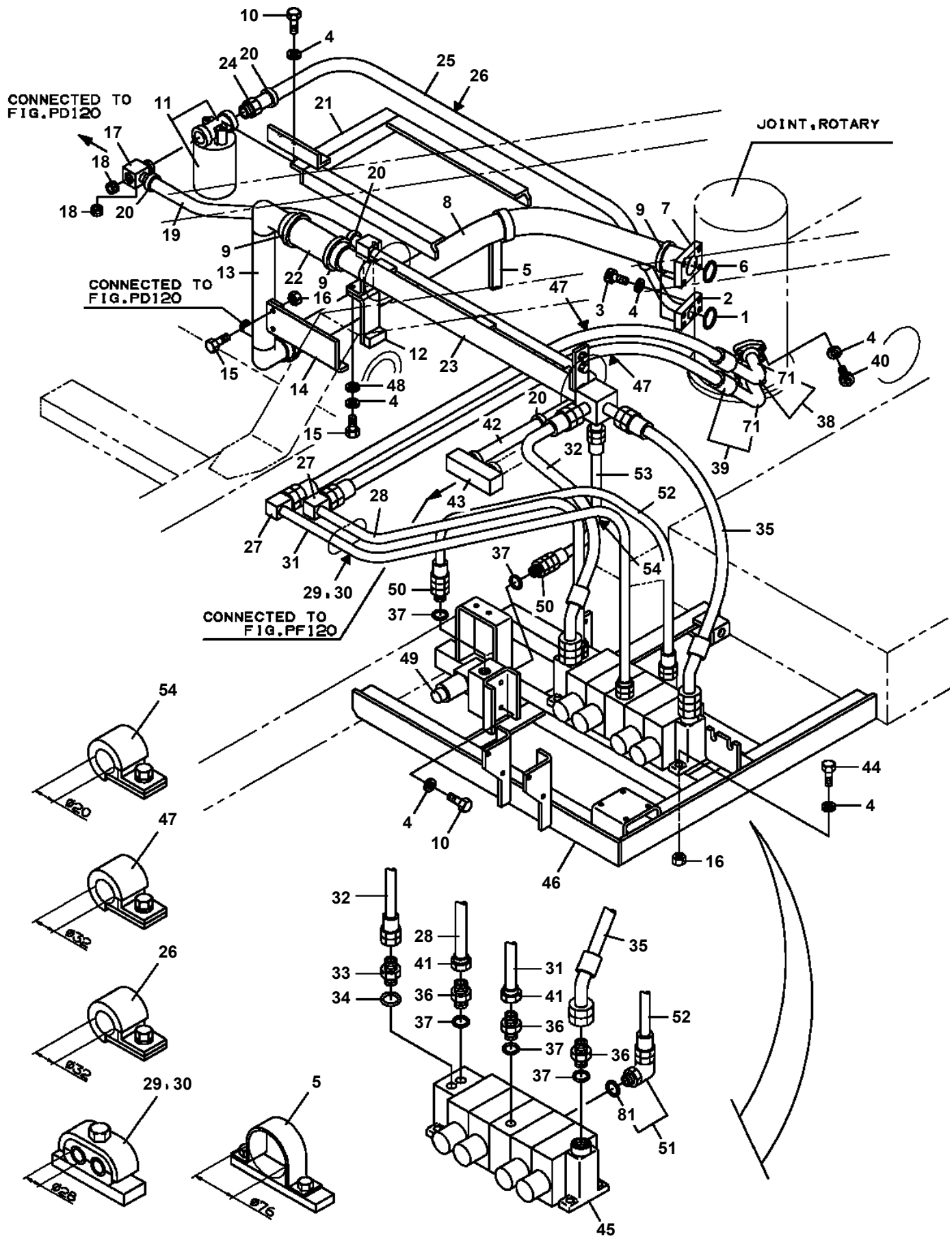
TL-300E-3-10201 4 BOOM + JIB, 2M2D, KG45SXL

Pos No.	Parts No	Parts Name	Qty	Unit	Technical Data	Serial No (Start)	Serial No (End)	Remarks	Pages
2	36651205010	SEAL,OIL	1						
3	36651205020	SEAL,OIL	1						
5	36650615030	BEARING,NEEDLE	8						
7	36651205030	PLATE,WEAR (F)	2						
8	36650615040	PLATE,WEAR (F)	2						
9	36650095350	O-RING	6						
10	36651205040	RING,BACKUP	6						
12	36650615050	COUPLING	1						
13	36650625080	O-RING	7						
14	36650625090	COLLAR	2						
15	36650615070	COUPLING	1						
16	36650095540	PLATE,WEAR (F)	2						
18	36650675010	BEARING,NEEDLE	4						
19	36650625110	CAP	1						
20	36650625120	O-RING	1						
21	36651205050	BOLT	4						
22	36650096010	WASHER (LOCK)	12						
25	91001701800	O-RING	1		WG18				
28	36651205060	PLUG	3						
31	36651205070	O-RING	2						
33	36650625030	BOLT	8						
34	36650615130	O-RING	2						
35	36650615150	BOLT	6						
36	36650625020	WASHER	6						
40	36651205080	PUMP ASSY (NO.1)	1						
50	36651205090	PUMP ASSY (NO.2)	1						
60	36651205100	PUMP ASSY (NO.3)	1						
100	36651200001	PUMP,HYDRAULIC	1						

**TL-300E-3-10201 4 BOOM + JIB, 2M2D, KG45SXL
PB1200045-00 PIPING,SUCTION**

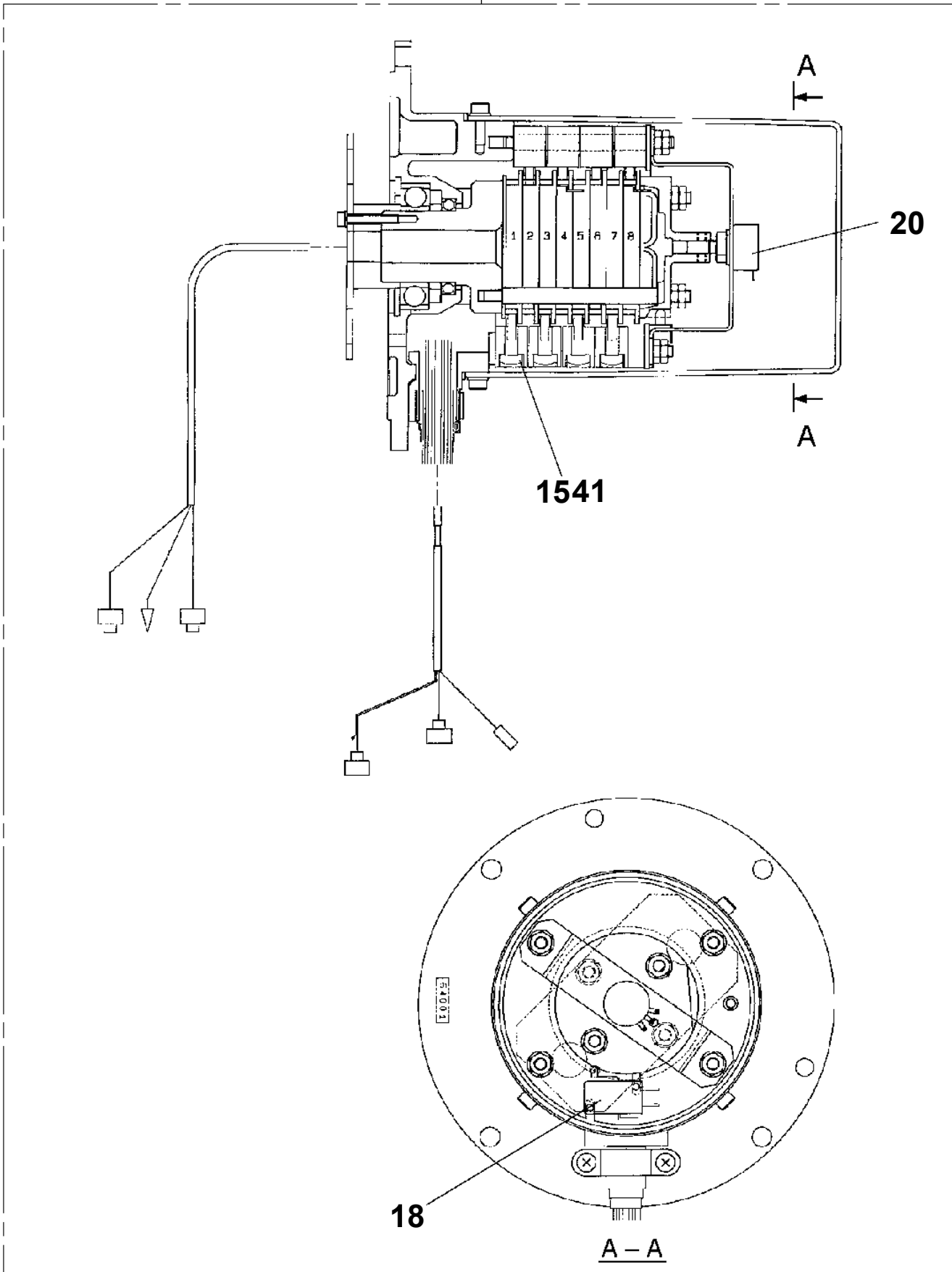


**TL-300E-3-10201 4 BOOM + JIB, 2M2D, KG45SXL
PB1260037-03 PIPING, UPPER RETURN**

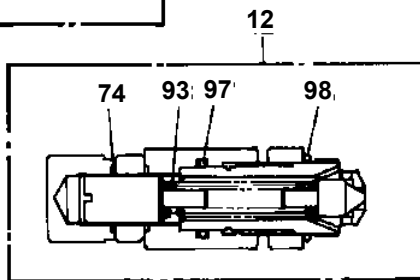
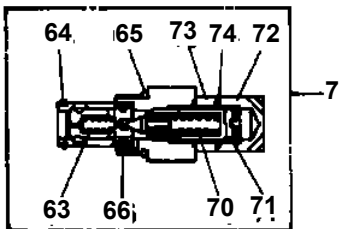
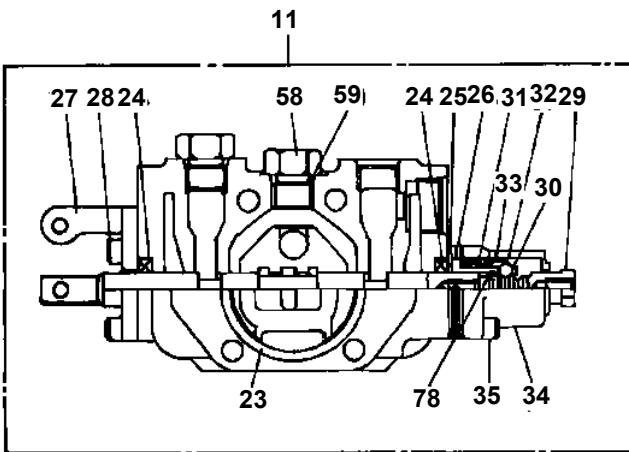
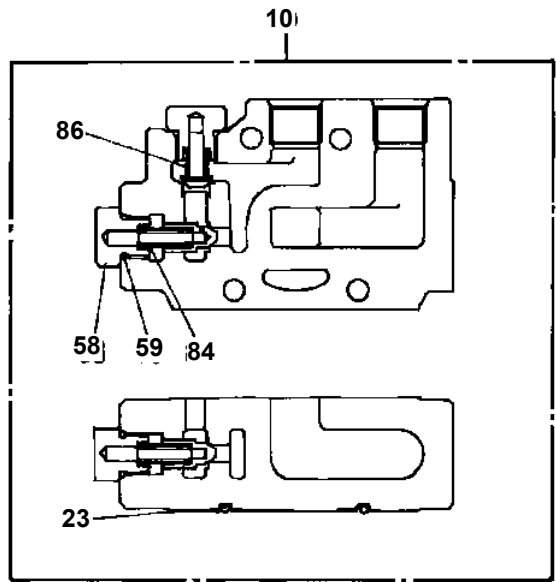
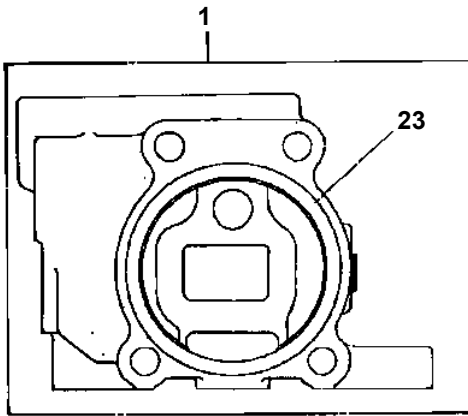
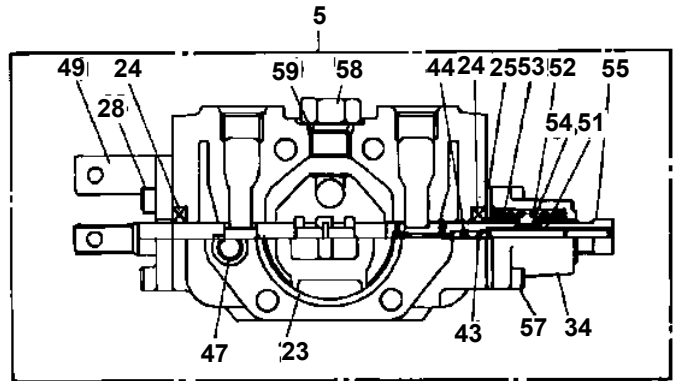
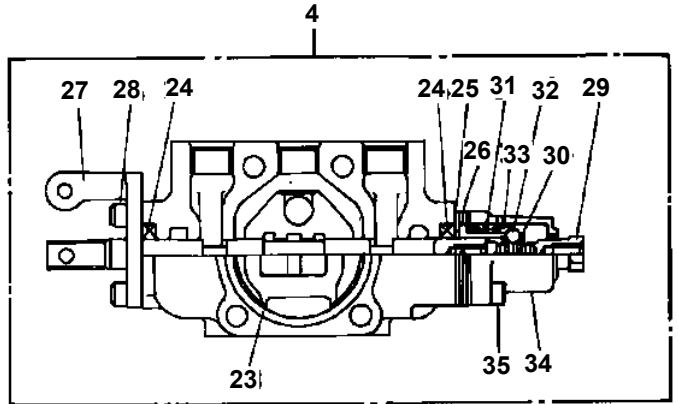
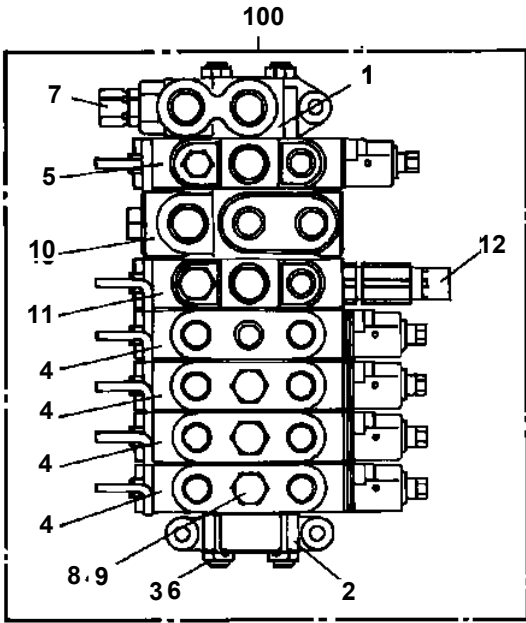


TL-300E-3-10201 4 BOOM + JIB, 2M2D, KG45SXL
PB1310030-00 BRUSH,ROTARY JOINT

100



**TL-300E-3-10201 4 BOOM + JIB, 2M2D, KG45SXL
PB1320154-02 VALVE, MANUAL CONTROL (OUTRIGGER,F/J)**



TL-300E-3-10201 4 BOOM + JIB, 2M2D, KG45SXL

Pos No.	Parts No	Parts Name	Qty	Unit	Technical Data	Serial No (Start)	Serial No (End)	Remarks
1	33610681000	CASE, OUTER	1					
2	33611111000	CASE, INNER	2					
3	36040790000	CYLINDER, EXTENSION	2				355798	
	36042240000	CYLINDER, EXTENSION	2			355799		
4	37002412800	HOSE, TWIN	2		L=3050			
5	90102510055	BOLT	4		M10X55			
6	90302041001	WASHER, SPRING	8		10			
7	36622460000	VALVE, CHECK	2					
8	33610680100	SUPPORT ASSY	2					
9	36033380000	CYLINDER, JACK	2					
10	56057121000	SUPPORT	2					
11	80430450450	JOINT	4		YL502		355798	
	80430620400	JOINT	4			355799		
12	90171116075	BOLT	8		M16X75			
13	90302041601	WASHER, SPRING	8		16			
14	33610023300	FLOAT ASSY	2					
15	90201201000	NUT	4		M10			
16	90101206020	BOLT	2		M6X20			
17	90201200600	NUT	2		M6			
18	90302040601	WASHER, SPRING	2		6			
19	90101210016	BOLT	8		M10X16			
20	37000115710	PIN	4					
21	80602110300	RING, RITAINING	4		R30			
22	37000112030	PIN	2					
23	80136325020	PIN, SPLIT	4		2.5X20			
24	82100002008	CLAMP	4		WR12			
25	90303070601	WASHER, PLAIN	2		6			
26	90131510032	BOLT, HEXAGON SOCKET	8		M10X32			
27	82100002535	TUBE, SPIRAL	2	M	SE-29BK			
42	33610240120	PLATE, SLIDE	2					
43	90180210040	BOLT, BUTTON	4		M10X40			
44	90302041001	WASHER, SPRING	16		10			
51	90191410045	BOLT	12		M10X45			
53	33610023310	COVER	4					
54	33610028010	FLOAT ASSY	2					
55	82456101000	NIPPLE, GREASE	2		A-PT1/8			
71	91002801100	O-RING	4		1B P11	355799		

TL-300E-3-10201 4 BOOM + JIB, 2M2D, KG45SXL

Pos No.	Parts No	Parts Name	Qty	Unit	Technical Data	Serial No (Start)	Serial No (End)	Remarks	Pages
1	36031370101	CYLINDER	1						
2	80720105025	PIN,SPRING	1		5X25				
3	36030100201	PISTON	1						
4	91684112000	PACKING	2						
5	91431210501	RING,BACKUP	1						
6	91002807000	O-RING	1		1B P70				
7	91411007000	RING,BACKUP	1		P70				
8	91332212000	BEARING,PLAIN	2						
9	36031370200	ROD	1						
10	36030100401	COVER,ROD	1						
11	91002911500	O-RING	1		1B G115				
12	91251101000	RING,DAMPER	1						
13	91694010000	PACKING	1						
14	91410210000	RING,BACKUP	1						
15	91660010000	SEAL,DUST	1						
16	36030775000	STOPPER	1						
17	90101510040	BOLT	2		M10X40				
18	90302041001	WASHER,SPRING	6		10				
19	90101210022	BOLT	4		M10X22				
20	91411210501	RING,BACKUP	1						
31	80612111080	RING,RITAINING	1		AR108				
40	36031370001	CYLINDER,JACK	1						
51	36031749900	PACKING SET	1		100X120				

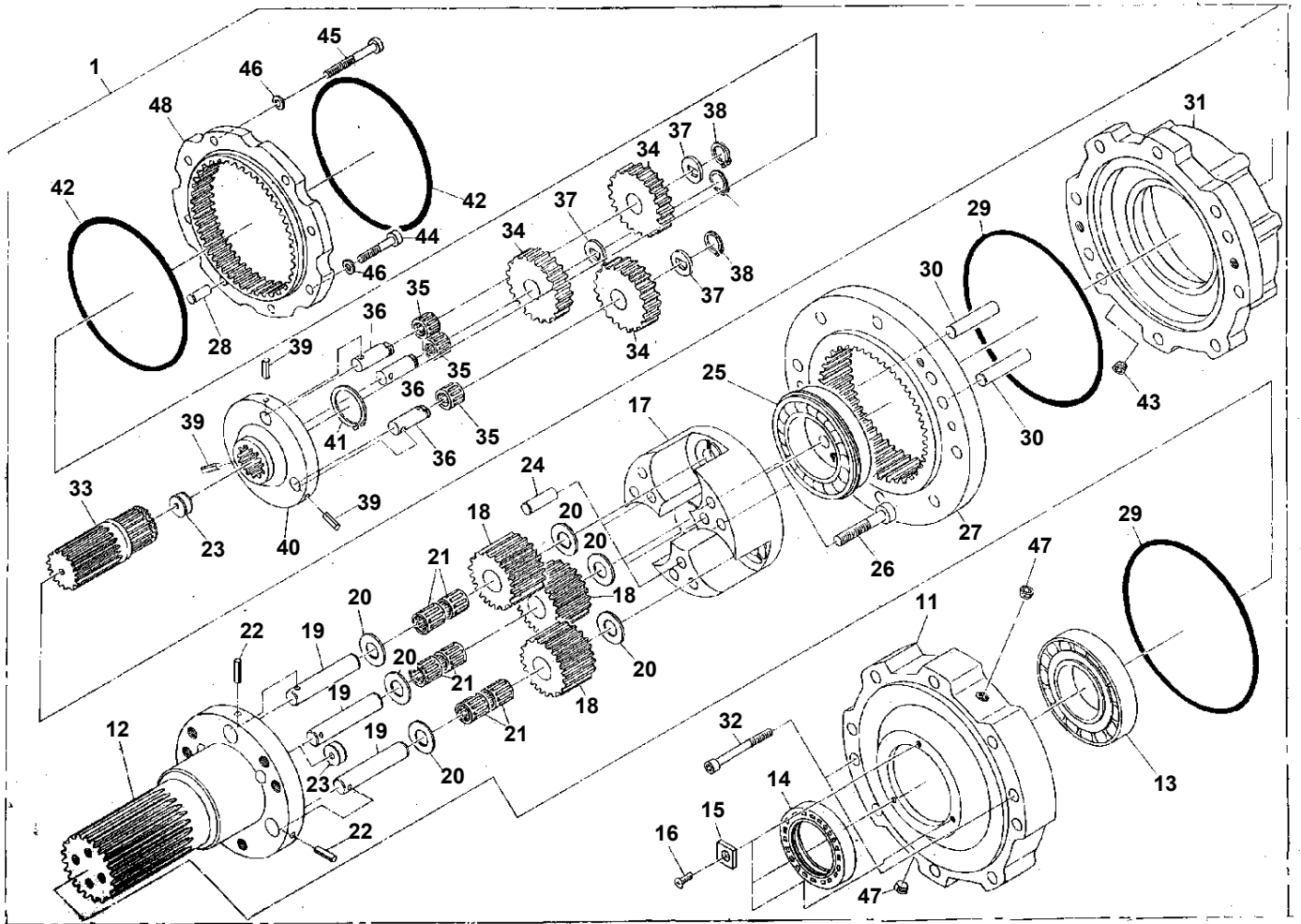
TL-300E-3-10201 4 BOOM + JIB, 2M2D, KG45SXL

Pos No.	Parts No	Parts Name	Qty	Unit	Technical Data	Serial No (Start)	Serial No (End)	Remarks	Pages
1	33700590500	LEVER	1						
2	33700590600	LEVER	1						
5	31320020010	KNOB (BLACK)	2						
6	37000105610	PIN	4		L=18				
7	80136320010	PIN,SPLIT	4		2X10				
8	12644502000	ROD	1						
9	90203200800	NUT	1		M8				

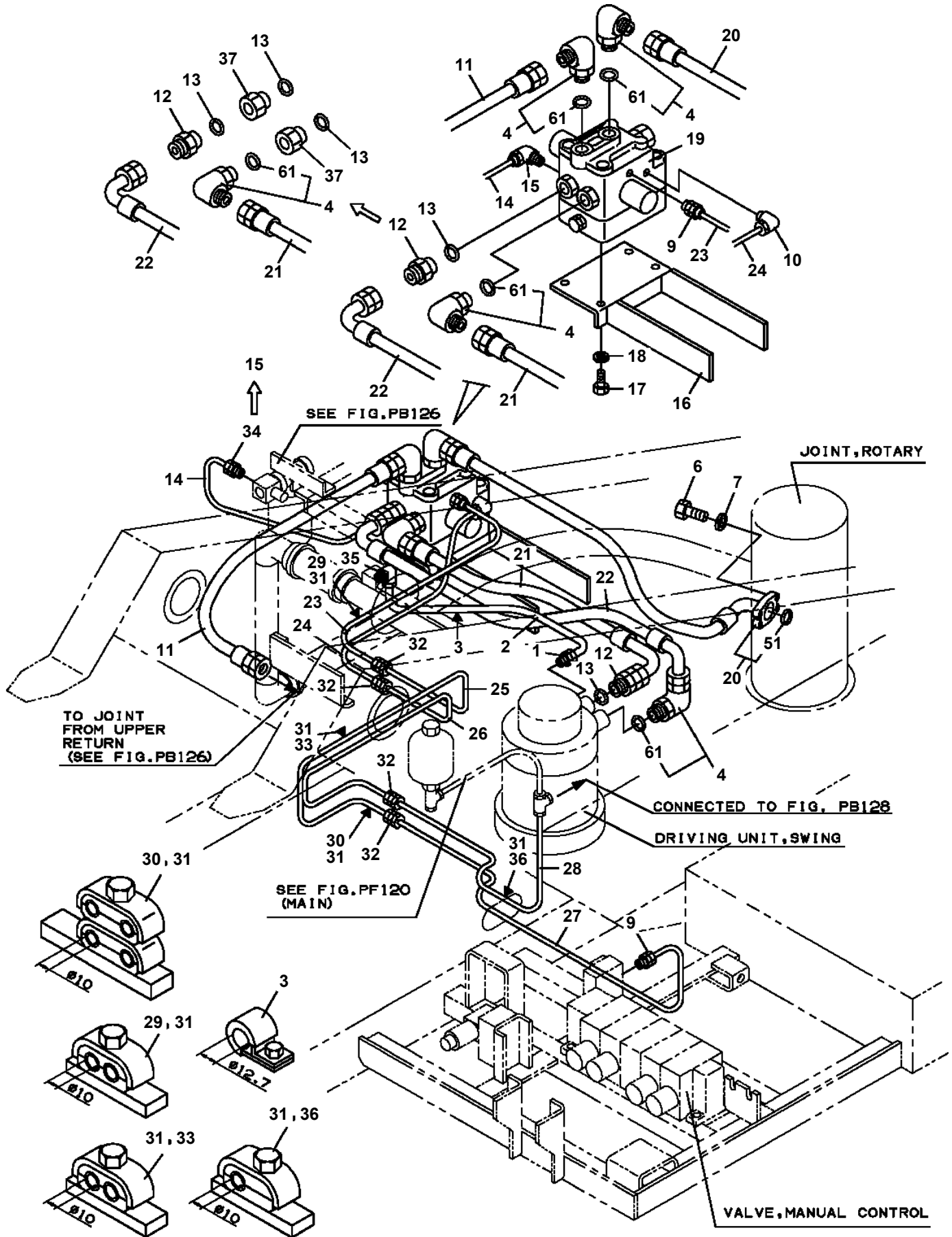
TL-300E-3-10201 4 BOOM + JIB, 2M2D, KG45SXL

Pos No.	Parts No	Parts Name	Qty	Unit	Technical Data	Serial No (Start)	Serial No (End)	Remarks	Pages
1	81408000160	PIPE,STEEL	2	M	12X1.4T				
2	81408000160	PIPE,STEEL	2	M	12X1.4T				
3	81408000160	PIPE,STEEL	4	M	12X1.4T				
4	81408000160	PIPE,STEEL	4	M	12X1.4T				
5	81408000160	PIPE,STEEL	2	M	12X1.4T				
6	81408000160	PIPE,STEEL	2	M	12X1.4T				
7	81408000160	PIPE,STEEL	3	M	12X1.4T				
8	80305010100	FITTING,TEE	1		KTA12-000N				
9	81408000160	PIPE,STEEL	3	M	12X1.4T				
10	37000906140	JOINT	1						
11	37002400960	HOSE	2		L=580				
12	80302010140	FITTING	2		C717KCT12-020N				
13	80301010100	FITTING	6		KUA12-000N				
14	80302090161	FITTING	11		KCO12-030N				
15	91002801400	O-RING	11		1B P14				
16	81408000160	PIPE,STEEL	3	M	12X1.4T				
18	37000503220	SUPPORT	4				355458		
19	37000711080	CLAMP ASSY	5		12-2				
20	81408000160	PIPE,STEEL	1	M	12X1.4T				
21	81408000160	PIPE,STEEL	1	M	12X1.4T				
22	81408000160	PIPE,STEEL	1	M	12X1.4T				
23	81408000160	PIPE,STEEL	1	M	12X1.4T				
24	81408000241	PIPE,STEEL	1	M	18X1.9T				
25	81408000160	PIPE,STEEL	1	M	12X1.4T				
26	80302090241	FITTING	1		KCO18-040N				
27	91002801800	O-RING	1		1B P18				
28	81408000160	PIPE,STEEL	1	M	12X1.4T				
29	81408000160	PIPE,STEEL	1	M	12X1.4T				
30	81408000160	PIPE,STEEL	3	M	12X1.4T				
31	37000502450	PLATE	1						
32	37000711000	CLAMP ASSY	1		12-1				
33	37000503210	SUPPORT	1				355458		
	37000503210	SUPPORT	6			355459			
34	37000505970	PLATE	1			355459			

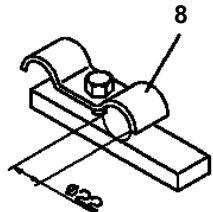
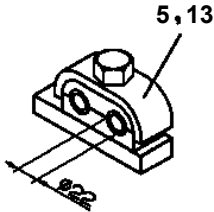
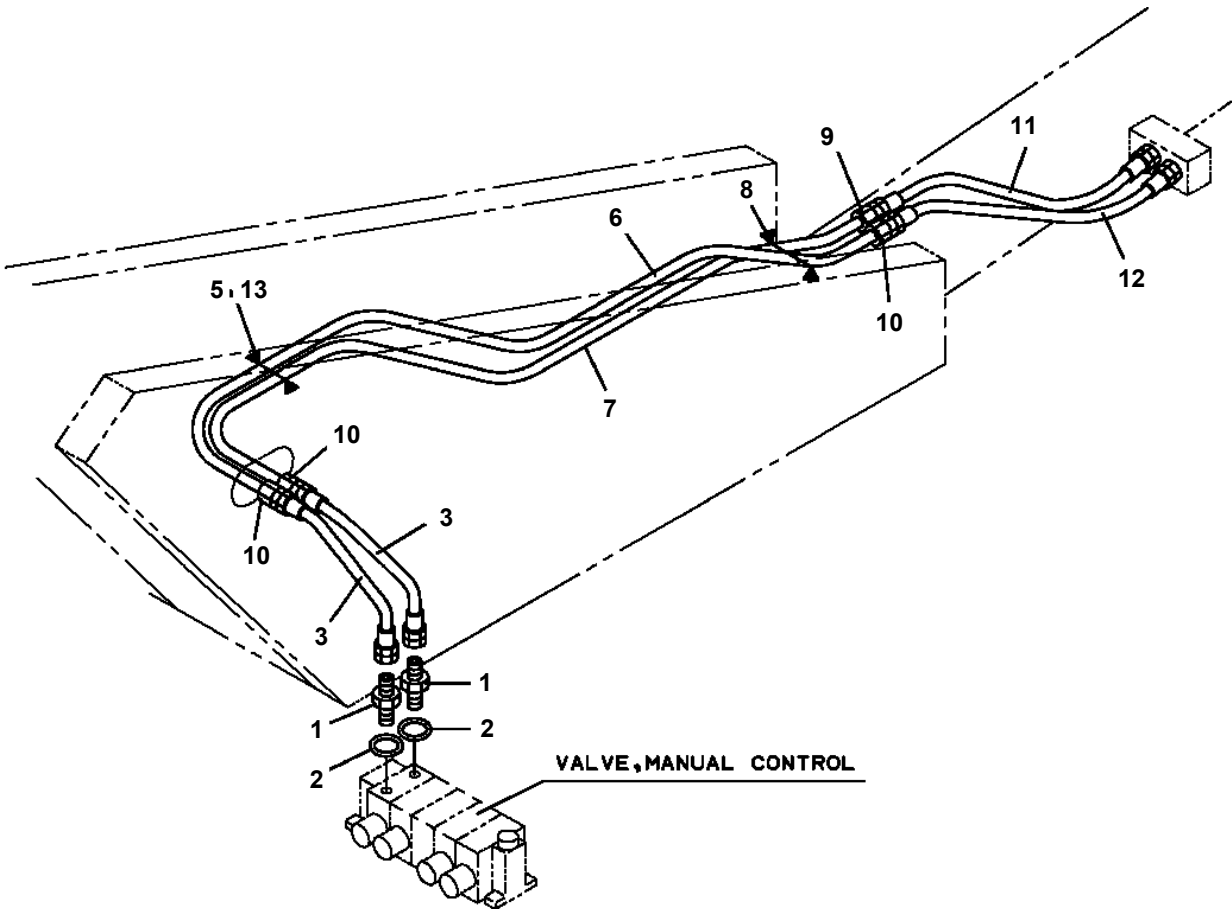
**TL-300E-3-10201 4 BOOM + JIB, 2M2D, KG45SXL
PD1070006-01 DRIVING UNIT, SWING**



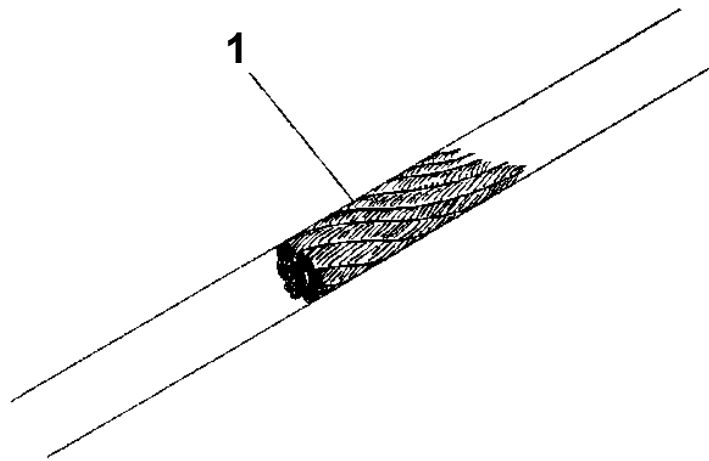
**TL-300E-3-10201 4 BOOM + JIB, 2M2D, KG45SXL
PD1200027-05 PIPING, SWING**



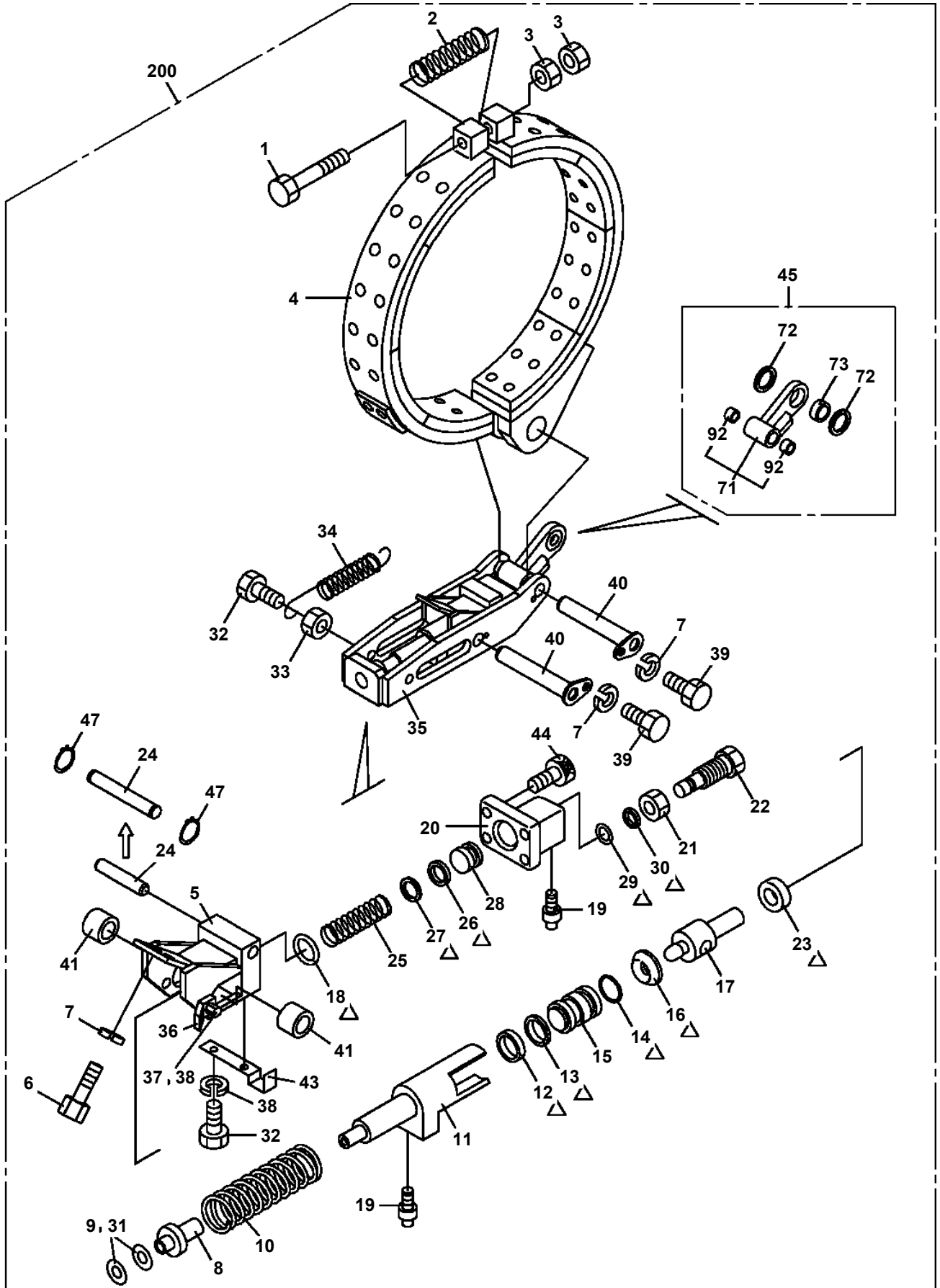
**TL-300E-3-10201 4 BOOM + JIB, 2M2D, KG45SXL
PE1200032-01 PIPING,ELEVATING**



**TL-300E-3-10201 4 BOOM + JIB, 2M2D, KG45SXL
PF1070032-00 ROPE,WIRE (TSK)**

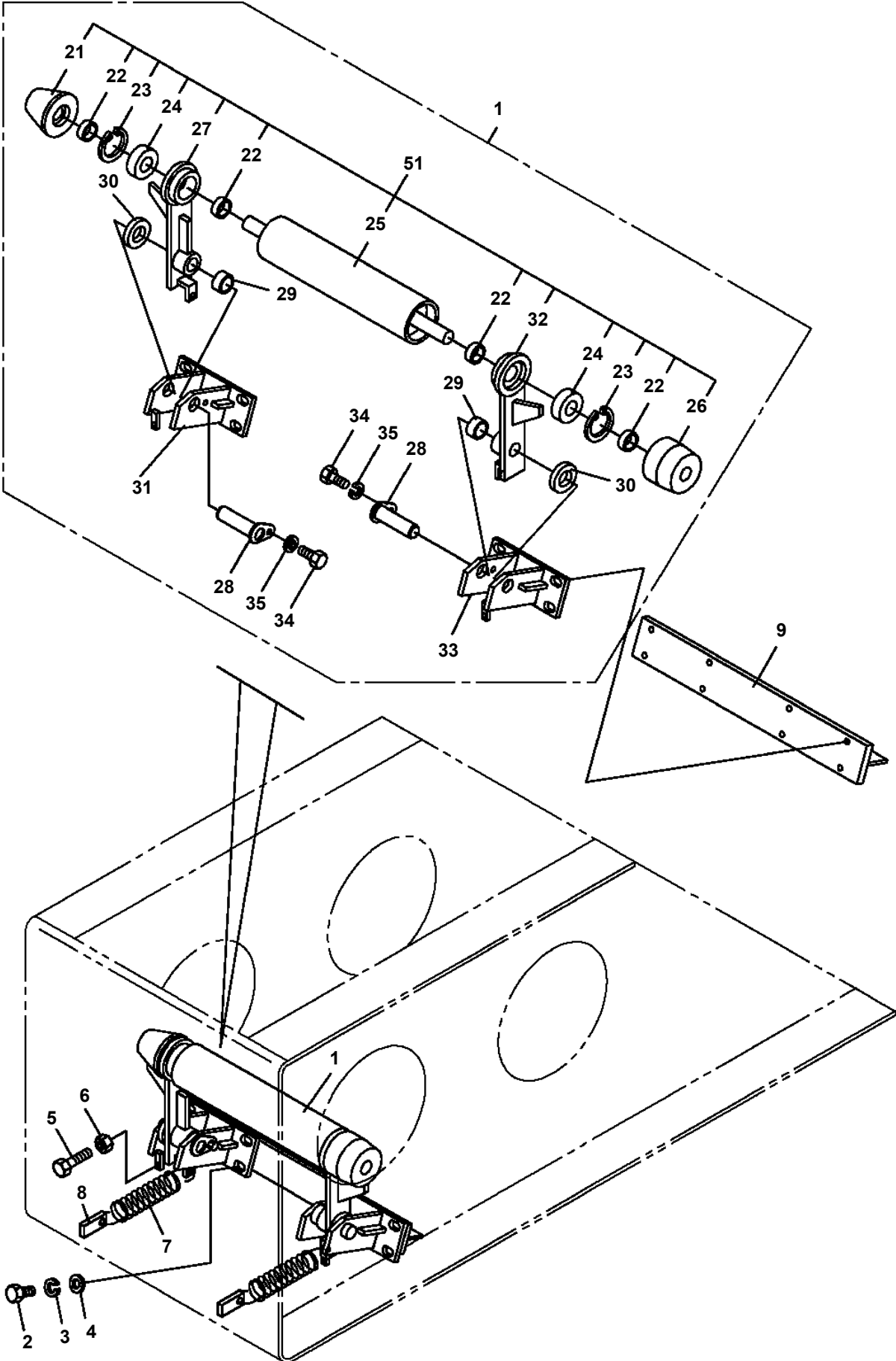


**TL-300E-3-10201 4 BOOM + JIB, 2M2D, KG45SXL
PF1120006-04 BAND,WINCH BRAKE**



△:PACKING SET KEY NO.100 (KEY NO.12,13,14,16,18,23,26,27,29,30)

TL-300E-3-10201 4 BOOM + JIB, 2M2D, KG45SXL
PF1180014-02 DETECTOR,DISORDERLY WIND (MAIN,OPTION)



TL-300E-3-10201 4 BOOM + JIB, 2M2D, KG45SXL

Pos No.	Parts No	Parts Name	Qty	Unit	Technical Data	Serial No (Start)	Serial No (End)	Remarks	Page
91	91002801400	O-RING	1		1B P14	355658			

TL-300E-3-10201 4 BOOM + JIB, 2M2D, KG45SXL

Pos No.	Parts No	Parts Name	Qty	Unit	Technical Data	Serial No (Start)	Serial No (End)	Remarks	P
1	36672739510	JOINT,WINCH ROTARY	1						

TL-300E-3-10201 4 BOOM + JIB, 2M2D, KG45SXL

Pos No.	Parts No	Parts Name	Qty	Unit	Technical Data	Serial No (Start)	Serial No (End)	Remarks
209	33200000110	SUPPORT	1					
210	90101512020	BOLT	1		M12X20			
211	90303071201	WASHER,PLAIN	1		12			
221	80602110720	RING,RITAINING	2		R72			
222	80516006306	BEARING,BALL	2					
231	33480041410	SUPPORT	2					
232	33480041420	PLATE	2					
233	33480041430	SUPPORT	2					
234	33480041480	PLATE	2					
235	33480041490	SUPPORT	2					
236	80172304014	SCREW,MACHINE	16		M4X14			
237	90302040401	WASHER,SPRING	16		4			
	90302040401	WASHER,SPRING			4		355637	
245	82456106000	NIPPLE,GREASE	6		1/4-28UNF		355637	
	82456106000	NIPPLE,GREASE	6		1/4-28UNF		356061	
314	82455106000	NIPPLE,GREASE	6		A-M6F FE	355638		
	82455106000	NIPPLE,GREASE	6		A-M6F FE	356062		

TL-300E-3-10201 4 BOOM + JIB, 2M2D, KG45SXL

Pos No.	Parts No	Parts Name	Qty	Unit	Technical Data	Serial No (Start)	Serial No (End)	Remarks	Pages
40	36671410000	REEL ASSY,HOSE	1						00019
50	37002408710	HOSE	1		L=115				
60	36671418010	REEL,HOSE	1						

TL-300E-3-10201 4 BOOM + JIB, 2M2D, KG45SXL

Pos No.	Parts No	Parts Name	Qty	Unit	Technical Data	Serial No (Start)	S
1	36131235010	PLATE (BASE)	1				
2	36130985010	CASE	1				
3	36131135020	DRUM ASSY	1				
4	18338695520	RING,SLIP	1				
5	33370025170	CONTACTOR ASSY (70)	1				
6	33371277520	CONTACTOR ASSY	1				
7	36130945040	CASE (BEARING)	1				
8	80515006002	BEARING,BALL	1				
9	80601110150	RING,RITAINING	1		15		
10	80602110320	RING,RITAINING	1		R32		
11	36130335040	REDUCER	1				
12	36130045040	GEAR	1				
13	36130045050	GEAR	1				
14	36130015061	BRACKET	1				
15	36130945010	POTENTIOMETER	1				
16	36130015070	SPRING	1				
17	36131055020	COVER	1				
18	32360005150	CLIP (NYLON)	1				
19	36130045090	CLIP (NYLON)	1				
20	32360005170	CLAMP (CORD)	1				
21	36130015080	GUIDE (CORD)	1				
22	31370005070	GROMMET	1				
23	36130045110	PACKING	1				
24	36130045120	PACKING	1				
25	32360005220	PACKING	1				
26	82100002284	CONNECTOR	1				
27	82100002283	CONNECTOR	1				
28	33371297520	LOCK (CORD)	1				
45	82100001155	CONNECTOR	1				
46	36130945020	CABLE ASSY (WITH CONNECTOR)	1		L=400		
47	82100002329	PLUG	2				
48	82100002356	TERMINAL (GOLD)	2				
49	82100002355	TERMINAL (GOLD)	2				
50	36130945030	METER,ANGLE	1				
60	36131935100	CORD (2-LINE)	33	M			
100	36130950000	DETECTOR,BOOM LENGTH (WITH ANGLE DETECT)	1				

CLICK HERE TO **DOWNLOAD** THE COMPLETE MANUAL

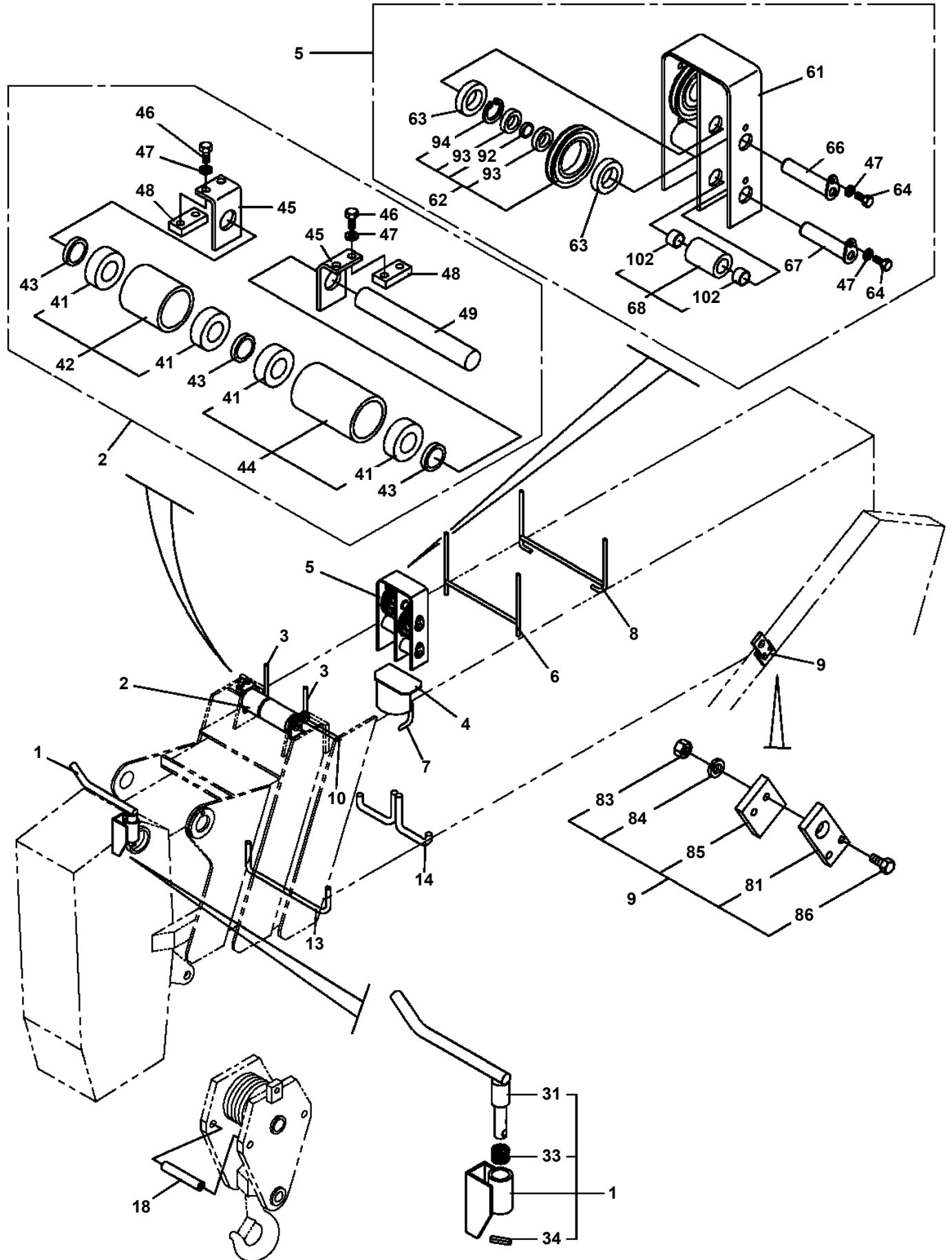
- Thank you very much for reading the preview of the manual.
- You can download the complete manual from: www.heydownloads.com by clicking the link below



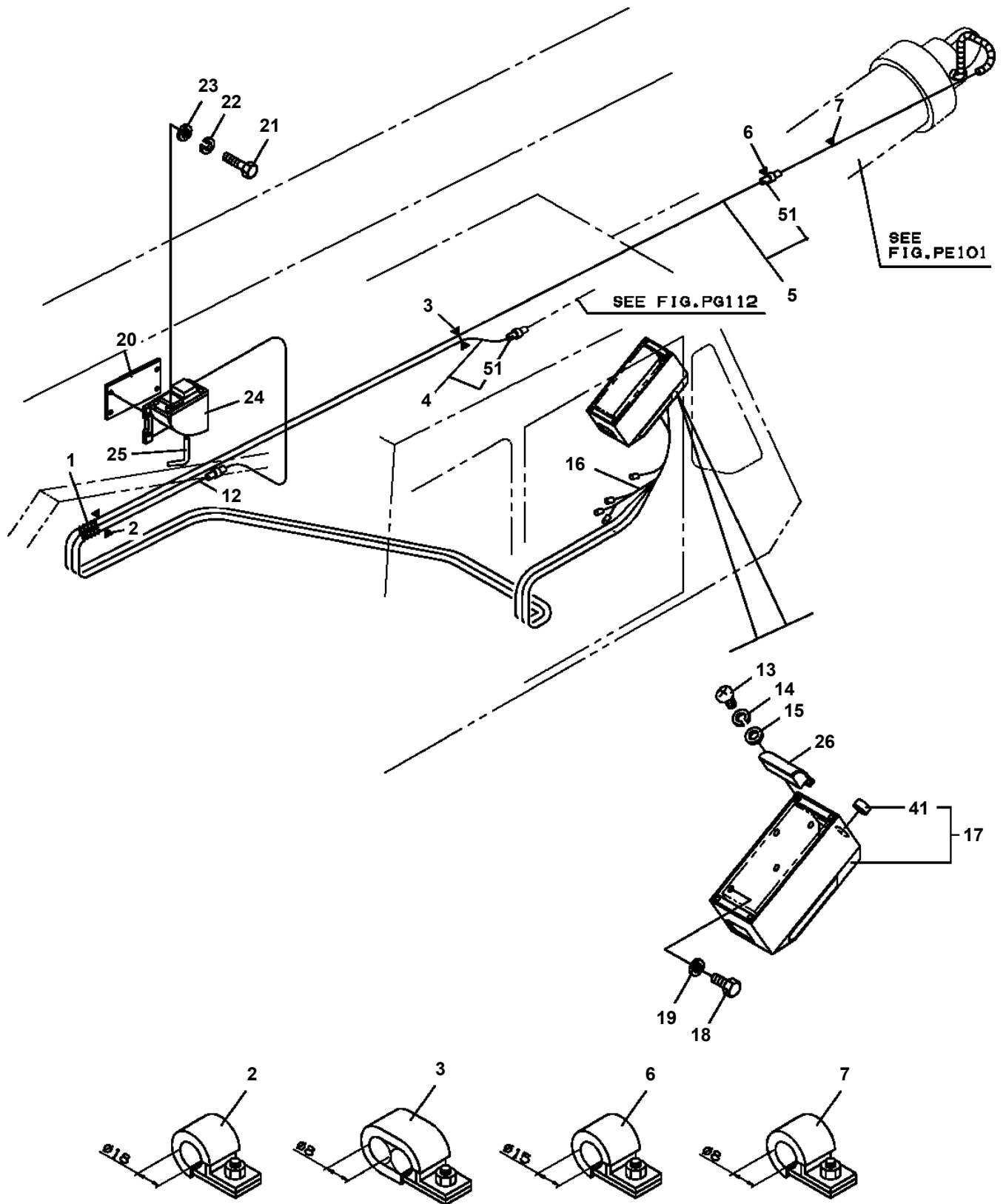
- Please note: If there is no response to CLICKING the link, please download this PDF first and then click on it.

CLICK HERE TO **DOWNLOAD** THE COMPLETE MANUAL

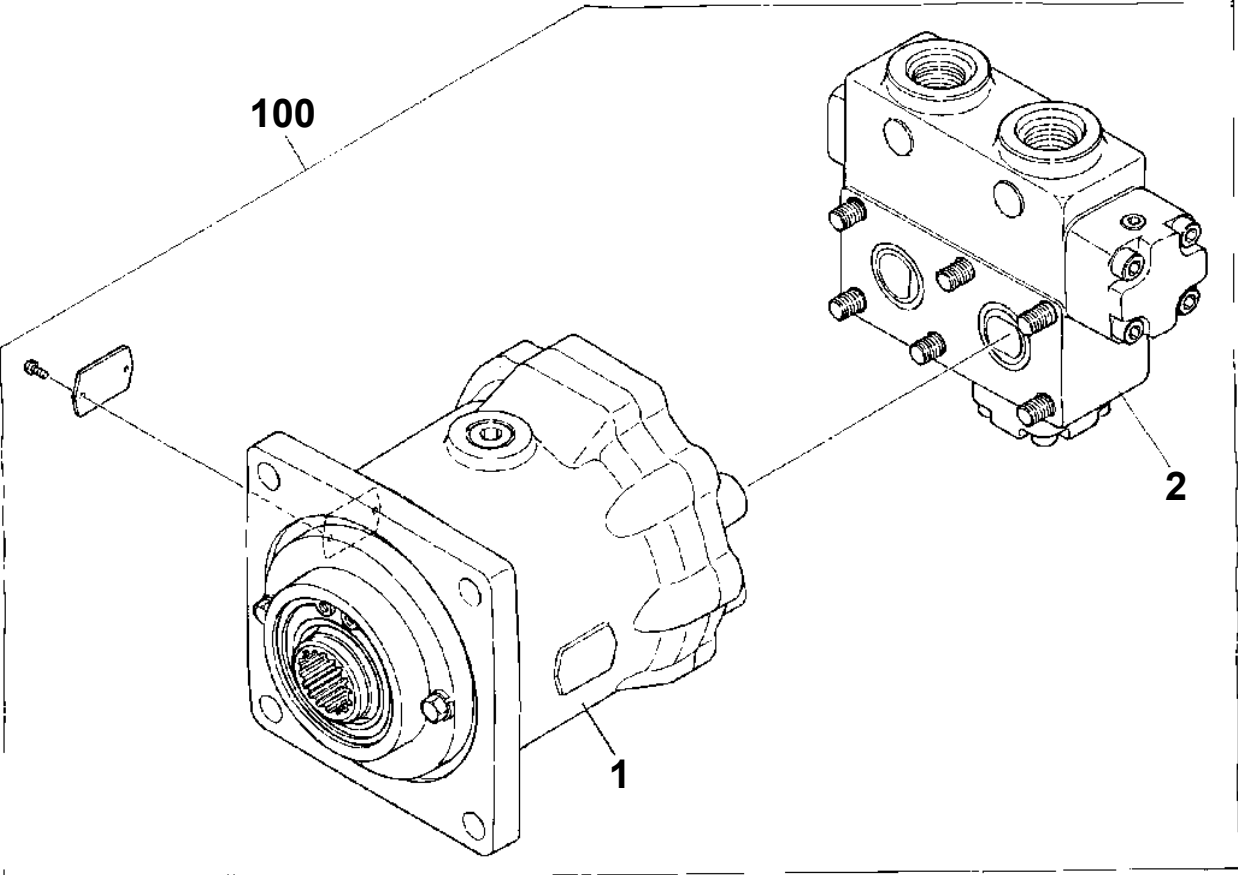
TL-300E-3-10201 4 BOOM + JIB, 2M2D, KG45SXL
PG1360112-01 WIRE GUIDE (BOOM)



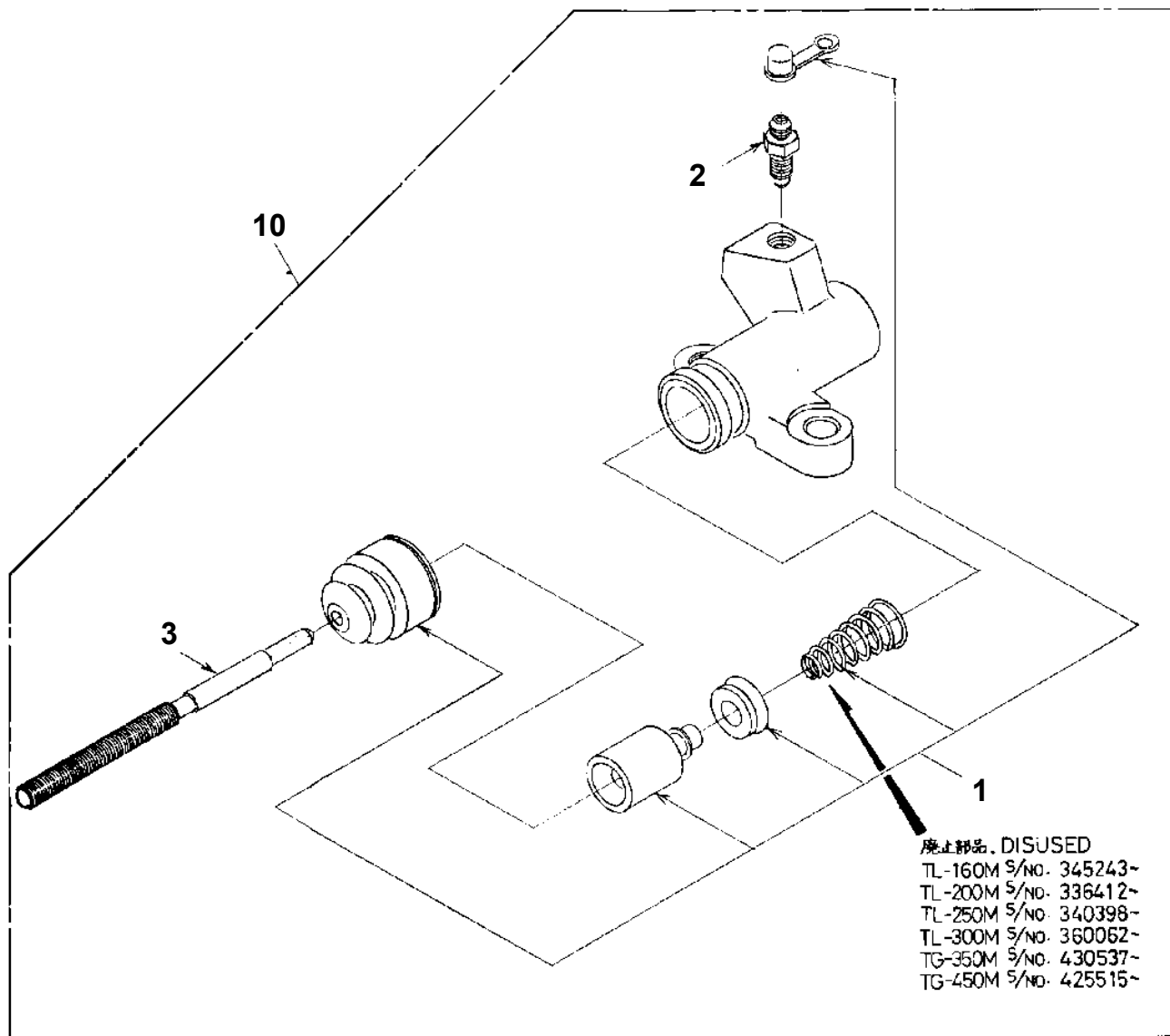
TL-300E-3-10201 4 BOOM + JIB, 2M2D, KG45SXL
PH1180083-01 CONNECTION, MOMENT LIMITER SYSTEM



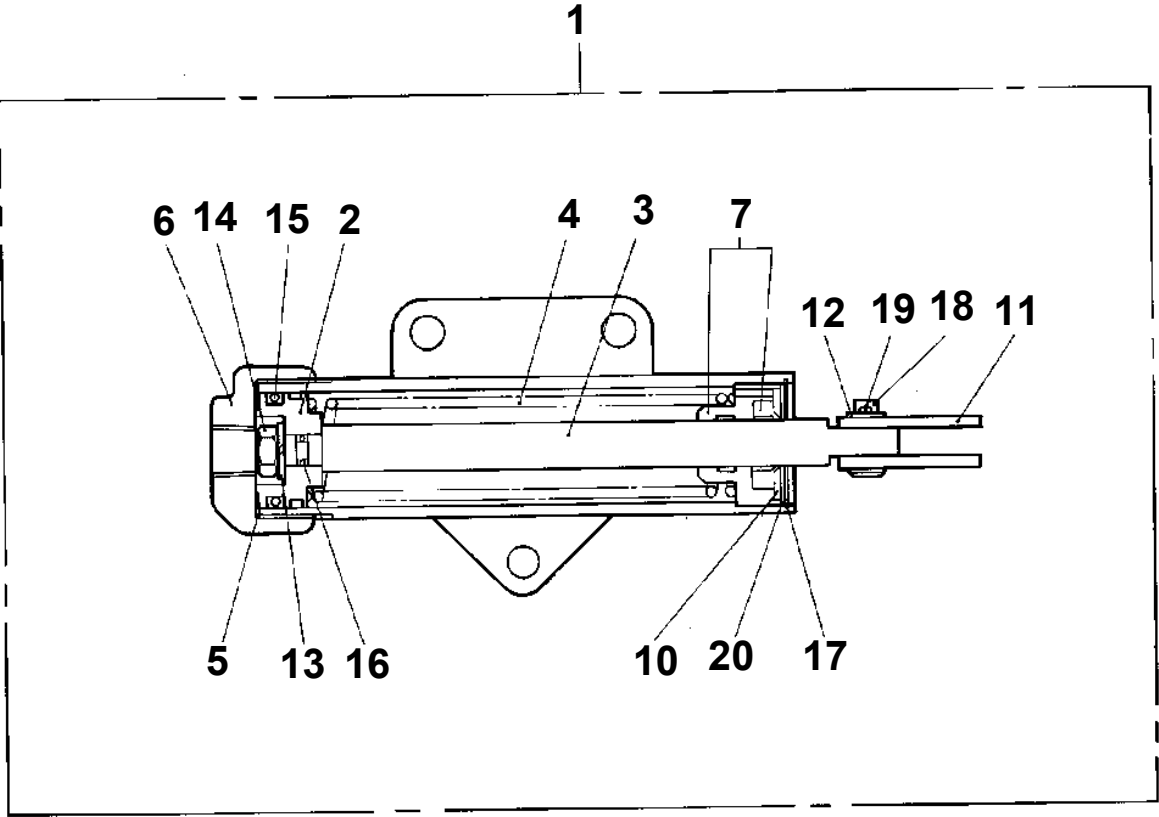
TL-300E-3-10201 4 BOOM + JIB, 2M2D, KG45SXL
PI1010034-03 MOTOR, HYDRAULIC (SANWA)



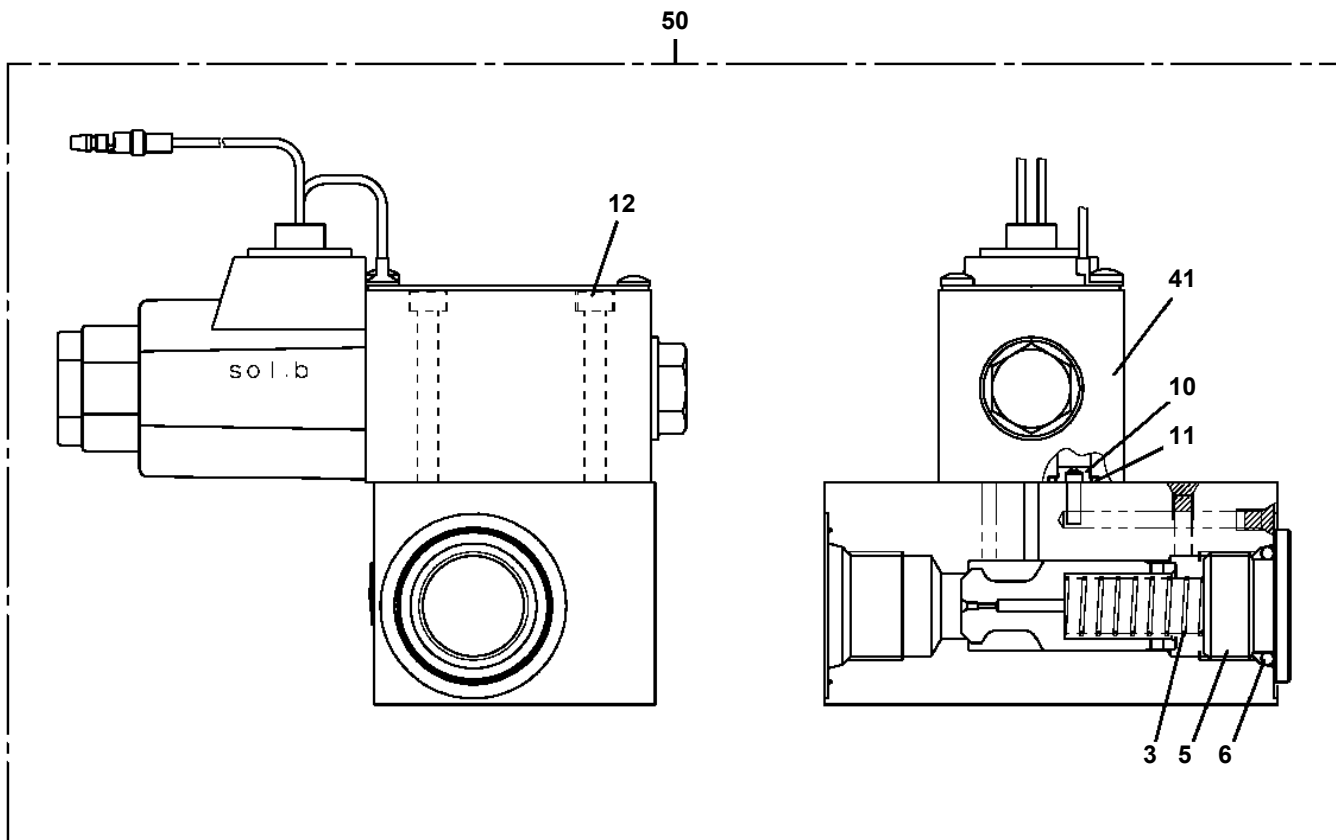
TL-300E-3-10201 4 BOOM + JIB, 2M2D, KG45SXL
PI1030008-01 CYLINDER,MASTER



**TL-300E-3-10201 4 BOOM + JIB, 2M2D, KG45SXL
PI1040011-00 CYLINDER,AIR**

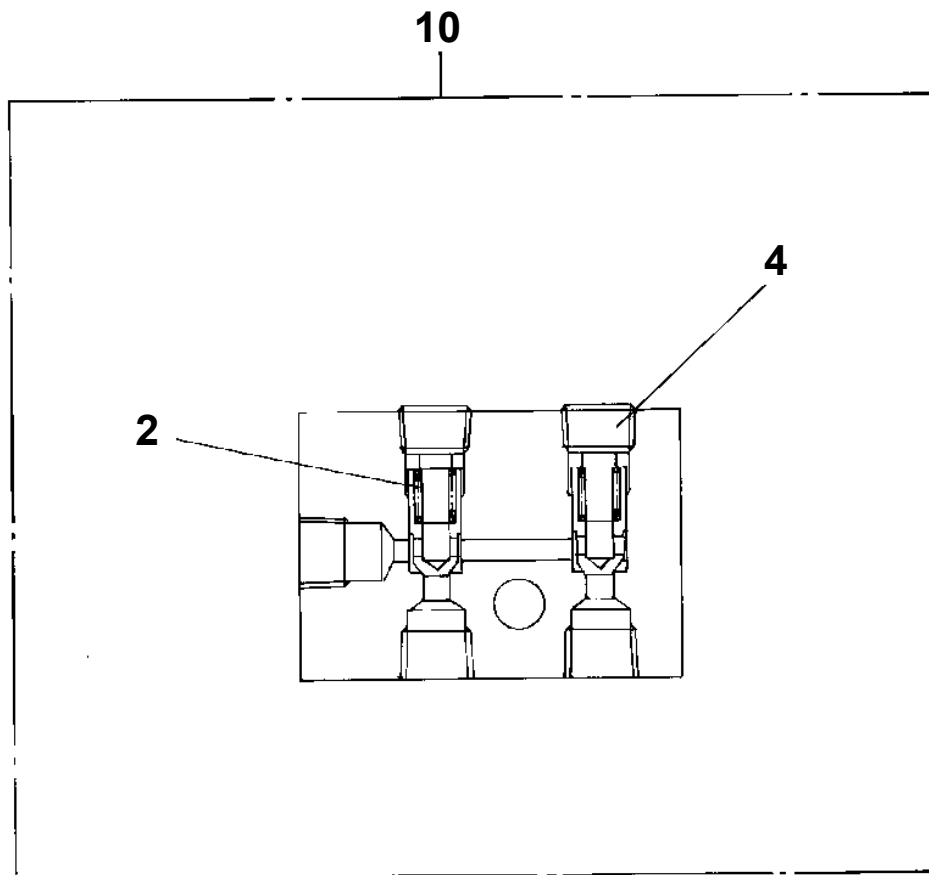


TL-300E-3-10201 4 BOOM + JIB, 2M2D, KG45SXL
PI1120353-00 VALVE,SOLENOID

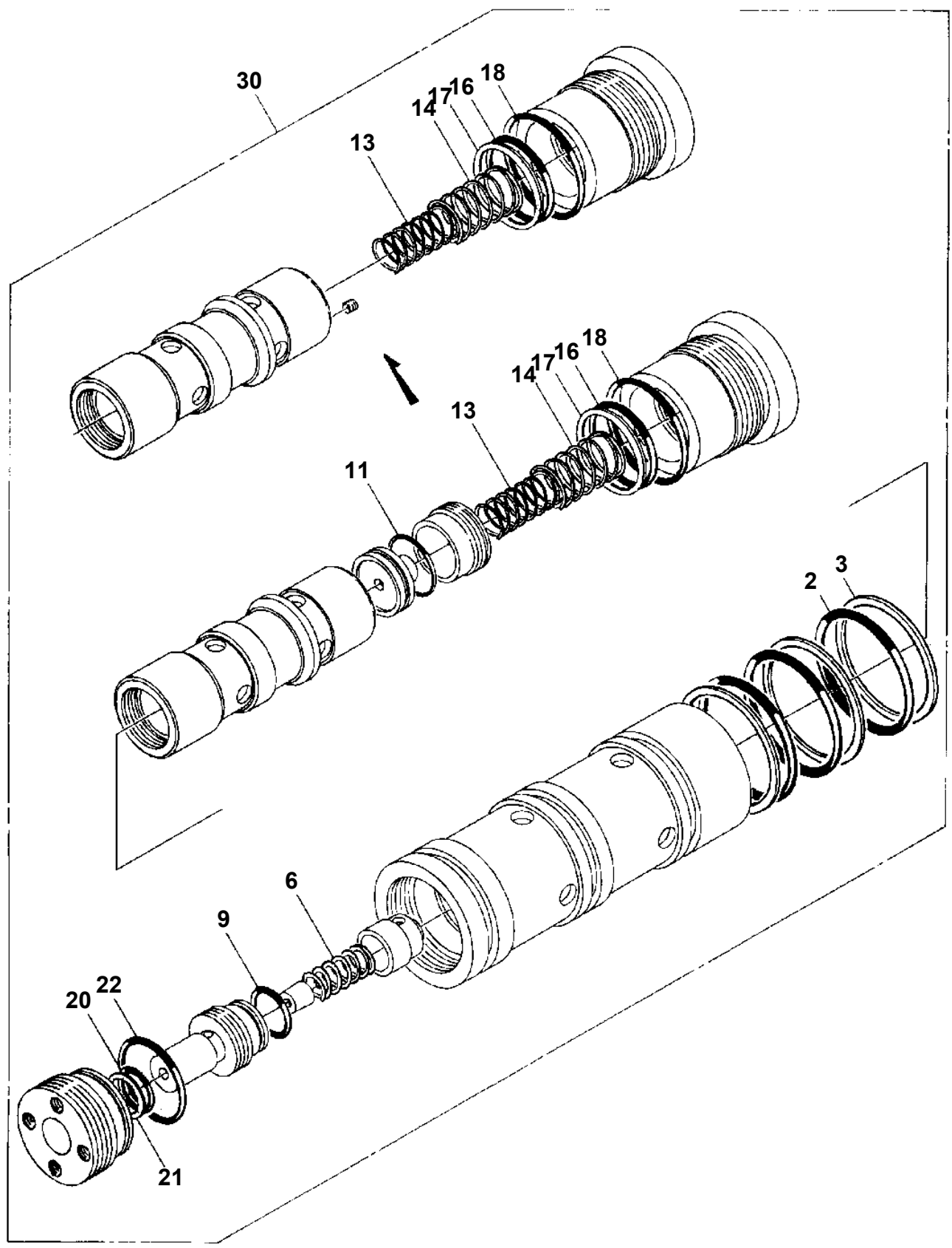


C

**TL-300E-3-10201 4 BOOM + JIB, 2M2D, KG45SXL
PI1140047-00 VALVE,CHECK**



TL-300E-3-10201 4 BOOM + JIB, 2M2D, KG45SXL
PI1260011-02 CARTRIDGE, COUNTERBALANCE



TL-300E-3-10201 4 BOOM + JIB, 2M2D, KG45SXL

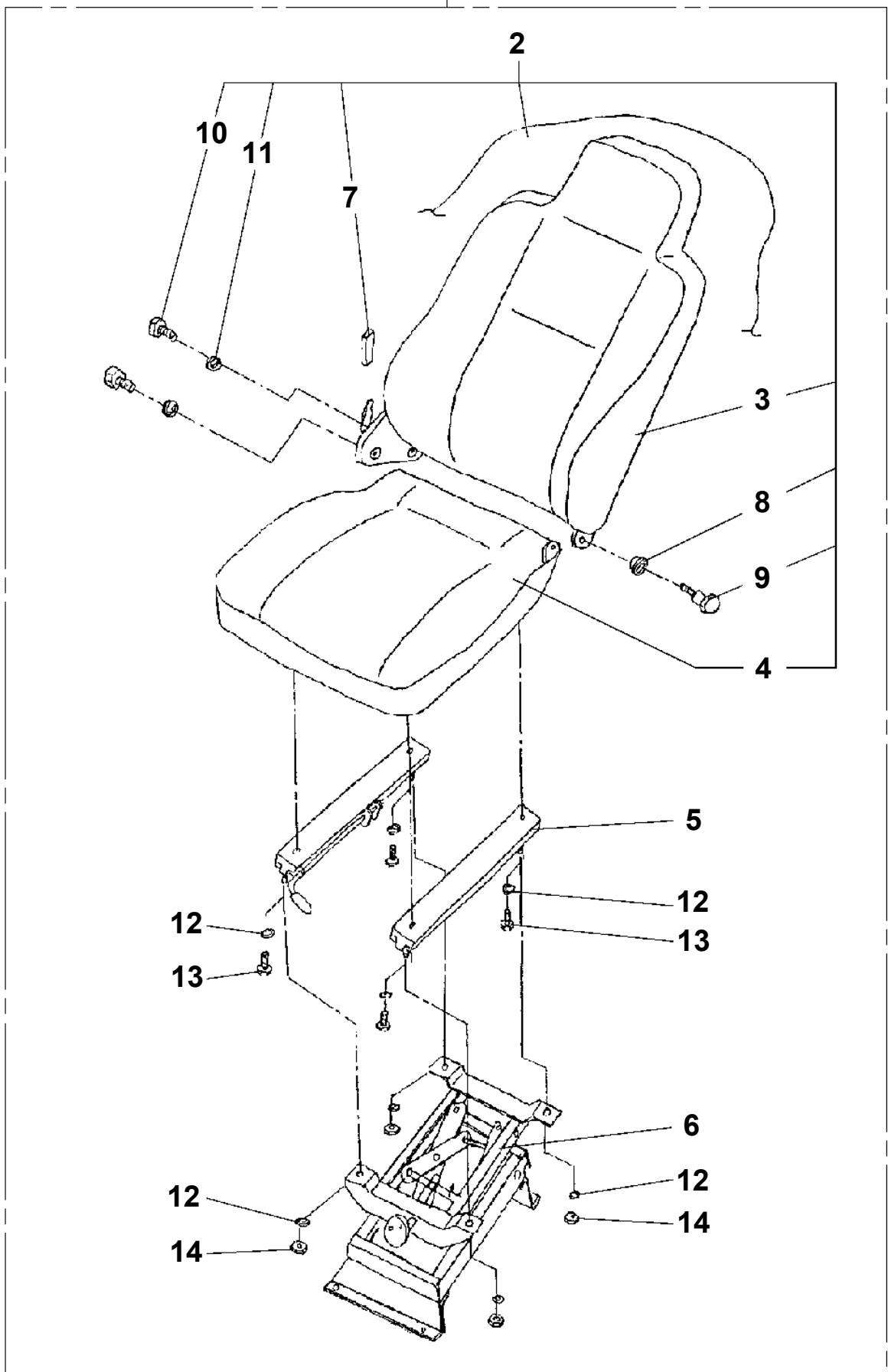
Pos No.	Parts No	Parts Name	Qty	Unit	Technical Data	Serial No (Start)	Serial No (End)	Remarks	Pages
14	36670030010	ELEMENT,FILTER	1						
19	91001214000	O-RING	1		1A G140				
23	91001703700	O-RING	1		WG37				
30	36670510000	FILTER,OIL	1						

TL-300E-3-10201 4 BOOM + JIB, 2M2D, KG45SXL

Pos No.	Parts No	Parts Name	Qty	Unit	Technical Data	Serial No (Start)	Serial No (End)
1	33250590010	SUPPORT	1				
3	33250591000	SEAT,OPERATOR	1				355839
4	90101210020	BOLT	4		M10X20		
5	90302041001	WASHER,SPRING	4		10		
6	90201201000	NUT	4		M10		
7	33250590030	PLATE	1				
8	33250590040	PLATE	1				
20	33250598010	FRAME ASSY	1				
21	33250590100	COVER	1				
25	33250590140	BOX	1				
26	33250590270	SUPPORT	1				
28	33250590170	COVER	1				
30	33250590190	COVER	1				
31	90101208020	BOLT	10		M8X20		
32	90302040801	WASHER,SPRING	10		8		
33	90101206012	BOLT	18		M6X12		
34	90302040601	WASHER,SPRING	18		6		
36	80192485014	SCREW,MACHINE (WITH WASHER)	6		M5X14		
37	33250590210	COVER	1				
38	90101205010	BOLT	2		M5X10		
39	90302040501	WASHER,SPRING	2		5		
43	33250590260	SUPPORT	1				
61	33250794000	SEAT,OPERATOR (WOOCHNG)	1			355840	
62	33250711000	SEAT,OPERATOR	1			355840	

TL-300E-3-10201 4 BOOM + JIB, 2M2D, KG45SXL
PK1150030-00 SEAT, OPERATOR (WOOCHNG)

50



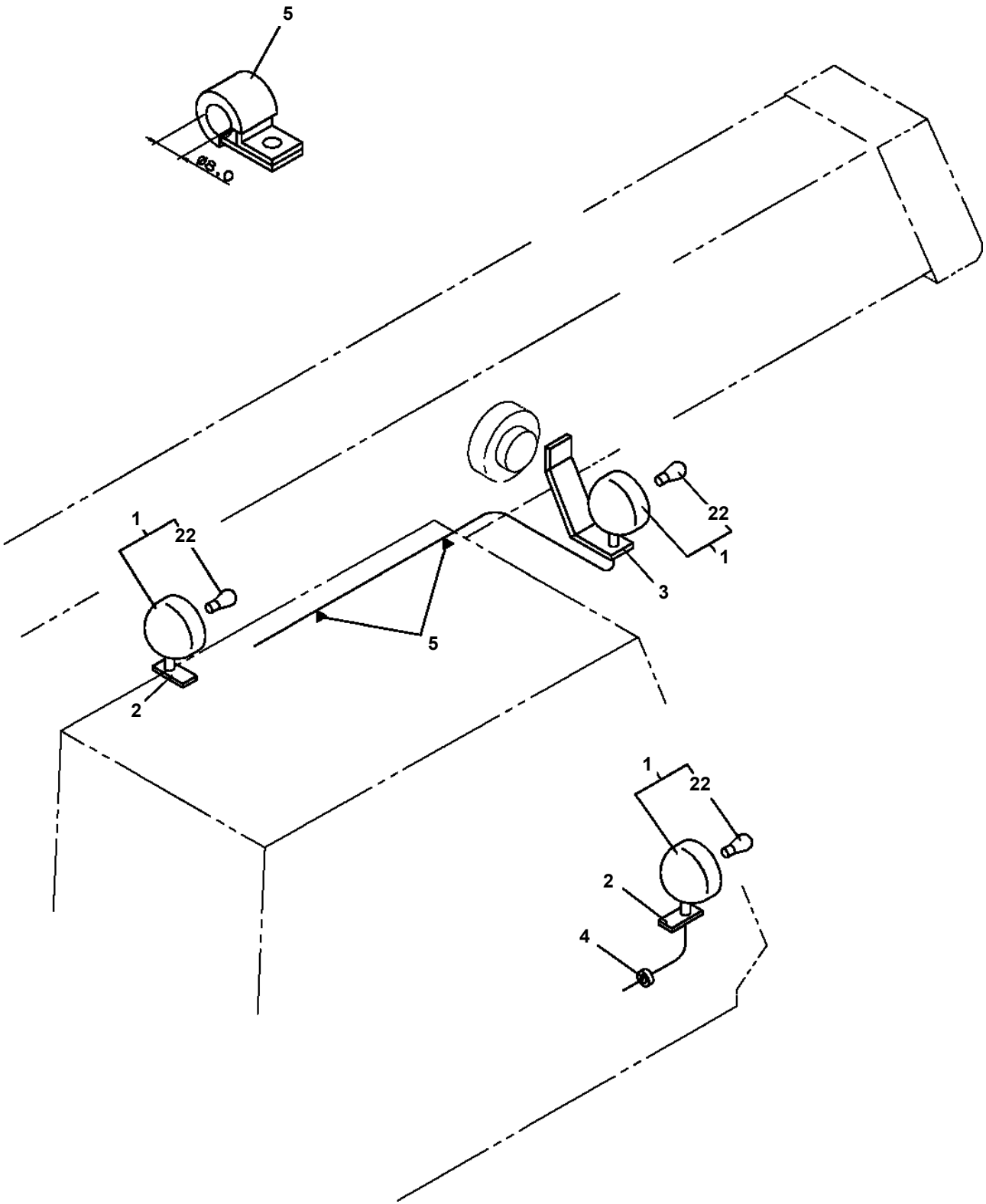
TL-300E-3-10201 4 BOOM + JIB, 2M2D, KG45SXL

Pos No.	Parts No	Parts Name	Qty	Unit	Technical Data	Serial No (Start)	Serial No (End)
1	34350002100	CAP	2				
2	80172304008	SCREW,MACHINE	2		M4X8		
5	80192485014	SCREW,MACHINE (WITH WASHER)	2		M5X14		
6	33431097100	COVER	1				
7	90303070501	WASHER,PLAIN	2		5		
8	34250000430	PLATE	1				

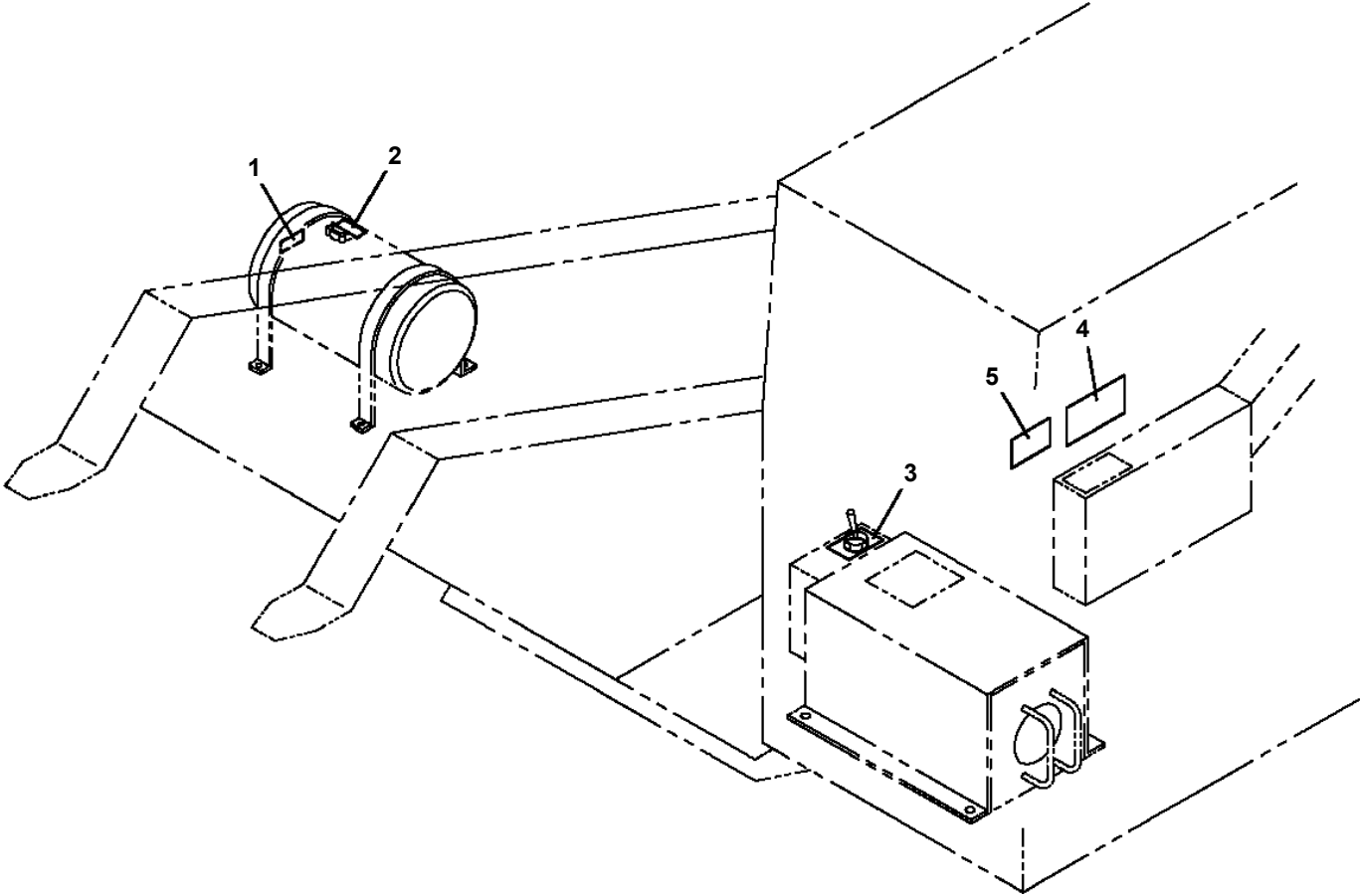
TL-300E-3-10201 4 BOOM + JIB, 2M2D, KG45SXL

Pos No.	Parts No	Parts Name	Qty	Unit	Technical Data	Serial No (Start)	Serial No (End)
3	37000101050	PIN	6				
4	80613110080	RING,RITAINING	6		8		
5	90101208020	BOLT	6		M8X20		
6	90302040801	WASHER,SPRING	6		8		
9	33320872500	ROD ASSY	1				
11	33320873500	ROD ASSY	1				
12	33320874500	ROD ASSY	1				
13	33320921400	ROD ASSY	1				
14	33320876000	LINK ASSY	1				
15	33320877000	ROD ASSY	1				
17	90303071001	WASHER,PLAIN	6		10		
31	33320871100	LEVER ASSY	1				
32	33320871200	LEVER ASSY	1				
34	33320871400	LEVER ASSY	2				
35	37000101070	PIN	1				
36	90131510016	BOLT,HEXAGON SOCKET <M10X16.	4				
37	90302041001	WASHER,SPRING	4		10		
39	33320871600	SUPPORT	1				
40	53620233000	SPRING	3				
41	37000108440	PIN	1				
42	82100001035	GROMMET	3				
43	34350002100	CAP	1				
44	37001300390	SPRING	1				
51	80601110200	RING,RITAINING	1		S20		
52	33320876100	LINK	1				
53	37000130020	PIN	1				
71	90201201400	NUT	4		M14		
72	37004201480	END	4				
73	33320872510	ROD	1				
113	33320873510	ROD	1				
133	33320874510	ROD	1				
153	33320921410	ROD	1				
161	33320001400	BOLT	1		M8		
162	90201200800	NUT	2		M8		
163	33320001410	END	1				
164	37000101040	PIN	1				
165	80613110080	RING,RITAINING	1		8		
181	82100000582	CONNECTOR	3				
182	82100001035	GROMMET	3				
183	33320871500	CABLE	3				
184	33320871110	LEVER	1				
185	32320110250	NUT (BLACK)	4				
186	33320001081	LEVER	4				
187	37001601520	NUT	4		M12		
188	33320001090	KNOB (RED)	1				
189	82100001033	SWITCH,PUSH	3				
190	90710006060	SCREW,SET	4		M6X6		
191	82100000578	TERMINAL	6				
192	33320001450	SLEEVE	4				
204	33320871210	LEVER	3				
208	33320001100	KNOB (BLACK)	1				
218	33320001120	KNOB (BLACK)	2				
231	80804020010	BEARING,PLAIN	2				
246	80804022010	BEARING,PLAIN	8				

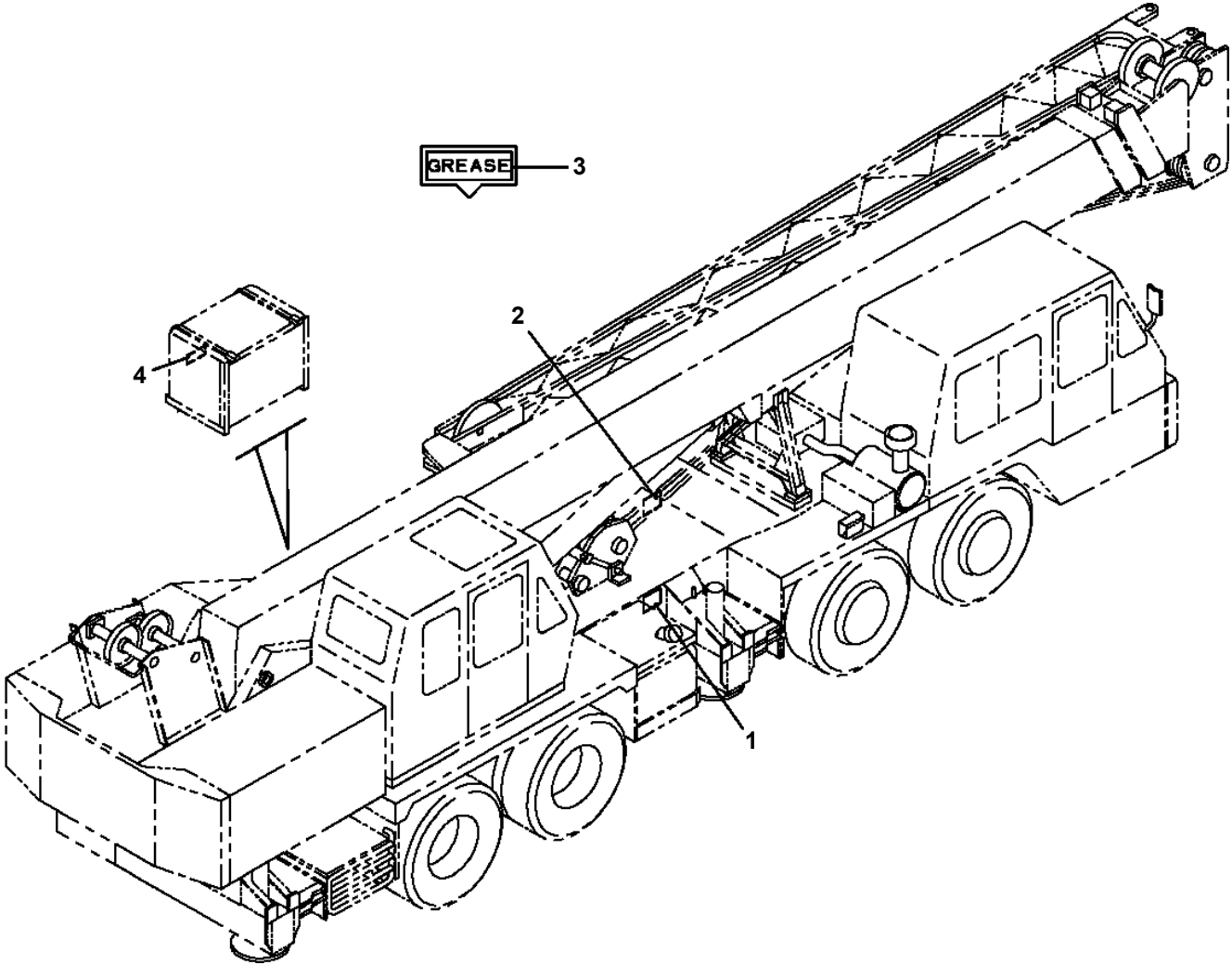
TL-300E-3-10201 4 BOOM + JIB, 2M2D, KG45SXL
PN1080000-00 LAMP (WORKING)



**TL-300E-3-10201 4 BOOM + JIB, 2M2D, KG45SXL
PO1010832-00 PLATE ASSY,NAME (OPTION,HEATER/ENGLISH)**



**TL-300E-3-10201 4 BOOM + JIB, 2M2D, KG45SXL
PO1011323-00 PLATE ASSY,NAME (LOWER,ENG. & CHINESE)**



TL-300E-3-10201 4 BOOM + JIB, 2M2D, KG45SXL

Pos No.	Parts No	Parts Name	Qty	Unit	Technical Data	Serial No (Start)	Serial No (End)	Remarks
1	34471521040	PLATE,NAME	1					
2	34473740800	PLATE,NAME (DIESEL FUEL)	1					
3	33475430120	PLATE,CAUTION	1					

TL-300E-3-10201 4 BOOM + JIB, 2M2D, KG45SXL

Pos No.	Parts No	Parts Name	Qty	Unit	Technical Data	Serial No (Start)	Serial No (End)
1	34393571100	PLATE,NAME (TADANO/BLUE+BLACK)	1				

TL-300E-3-10201 4 BOOM + JIB, 2M2D, KG45SXL

Pos No.	Parts No	Parts Name	Qty	Unit	Technical Data	Serial No (Start)	Serial No (End)	Remarks	Pages
11	82100000791	FUSE	2		5A,6.5X30				
12	82100000689	FUSE	2		3A,6.5X30				

TL-300E-3-10201 4 BOOM + JIB, 2M2D, KG45SXL

Pos No.	Parts No	Parts Name	Qty	Unit	Technical Data	Serial No (Start)	Serial No (End)	Remarks	Pages
1	33880161000	SUPPORT	1						
2	90201201000	NUT	4		M10				
3	33761428010	BAND ASSY	2						
4	33760030050	CUSHION	2						
5	56560009000	PIN	2						
6	80136330025	PIN,SPLIT	2						
7	90303071201	WASHER,PLAIN	2		12				
8	33880140010	PLATE	2						
9	33760030180	CUSHION	2						
21	33761421100	CUSHION	2						
22	33761421200	CUSHION	2						
23	33761001100	CUSHION	3						

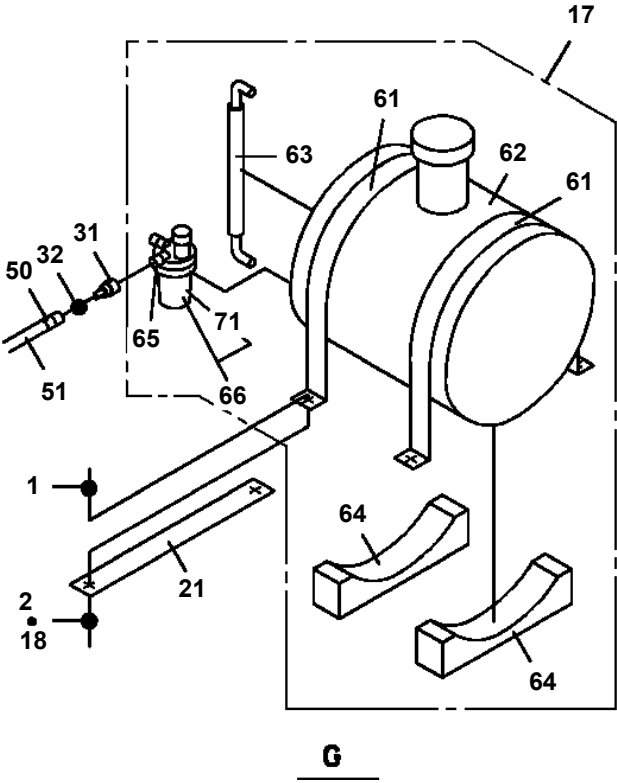
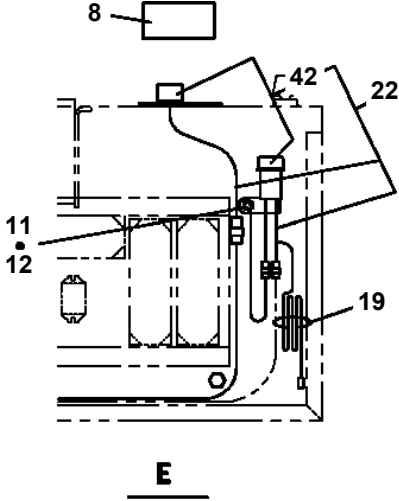
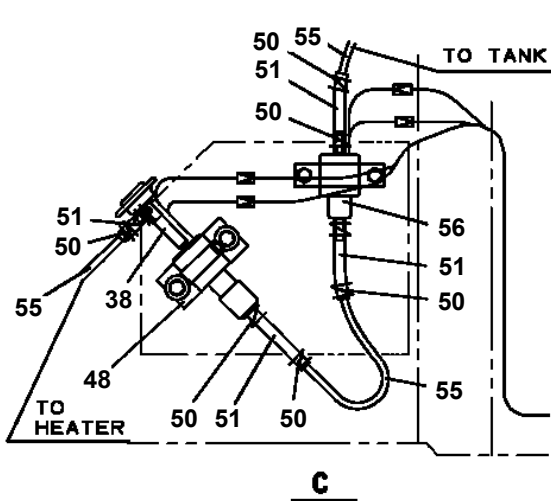
TL-300E-3-10201 4 BOOM + JIB, 2M2D, KG45SXL

Pos No.	Parts No	Parts Name	Qty	Unit	Technical Data	Serial No (Start)	Serial No (End)	Remarks	Pages
1	33830771000	SUPPORT	1						

TL-300E-3-10201 4 BOOM + JIB, 2M2D, KG45SXL

Pos No.	Parts No	Parts Name	Qty	Unit	Technical Data	Serial No (Start)	Serial No (End)	Remarks	Pages
1	33731030100	STOPPER	2						
2	33764350100	BOLT	1						
3	56063306000	NUT	1						
4	33731020100	BOLT	2						
5	37001601630	NUT	2						
6	33730421000	BLOCK,WOOD	4						
7	33440250900	BAR	2						
8	33760605010	STOPPER	4						

**TL-300E-3-10201 4 BOOM + JIB, 2M2D, KG45SXL
 PY1100109-01 HEATER SYSTEM (DIESEL FUEL)**



TL-300E-3-10201 4 BOOM + JIB, 2M2D, KG45SXL

Pos No.	Parts No	Parts Name	Qty	Unit	Technical Data	Serial No (Start)	Serial No (End)
1	36290665070	PANEL,CONTROL	1				
2	36290665080	PANEL	1				
3	36290652080	HOLDER,FUSE	1				
4	36290665200	FUSE	1		30A		
5	36290665220	BRACKET	1				
6	36290665090	CONNECTOR	1				
7	36290665100	TERMINAL	1				
8	36290665110	HOUSING	1				
9	36290665120	TERMINAL	1				
10	36290665130	HOUSING	1				
11	36290665140	TERMINAL	2				
12	36290665150	HOUSING	1				
13	36290665160	TERMINAL	2				
14	36290665170	SCREW	2				
15	90303070401	WASHER,PLAIN	2		4		
16	90302040401	WASHER,SPRING	2		4		
17	90201200400	NUT	2		M4		
100	36290662070	HEATER (PANEL KIT ASSY,CONTROL)	1				

CLICK HERE TO **DOWNLOAD** THE COMPLETE MANUAL

- Thank you very much for reading the preview of the manual.
- You can download the complete manual from: www.heydownloads.com by clicking the link below



- Please note: If there is no response to CLICKING the link, please download this PDF first and then click on it.

CLICK HERE TO **DOWNLOAD** THE COMPLETE MANUAL