

TL-250M-4-20102 4 BOOM + JIB,KS303R

PB1000232-02 HYDRAULIC PRESSURE GENERATING SYSTEM

PC1000175-01 OUTRIGGER SYSTEM

PD1000216-01 SWING SYSTEM

PE1000215-01 ELEVATING SYSTEM

PF1000203-03 WINCH SYSTEM

PG1000212-01 TELESCOPING SYSTEM

PH1000198-02 SAFETY DEVICES

PK1000225-01 FRAME

PL1000221-01 CONTROL DEVICES

PN1000185-01 ELECTRIC EQUIPMENT

PO1000144-01 INDICATION PLATES

PW1000028-00 ACCESSORIES & TOOLS

PX1000228-00 MOUNTING PARTS

PY1000198-01 OPTIONS

ASSEMBLY

CLICK HERE TO **DOWNLOAD** THE COMPLETE MANUAL

- Thank you very much for reading the preview of the manual.
- You can download the complete manual from: www.heydownloads.com by clicking the link below



- Please note: If there is no response to CLICKING the link, please download this PDF first and then click on it.

CLICK HERE TO **DOWNLOAD** THE COMPLETE MANUAL

TL-250M-4-20102 4 BOOM + JIB,KS303R

Pos No.	Parts No	Parts Name	Qty	Unit	Technical Data	Serial No (Start)	Serial No (End)
1	36091120000	HOOK (OPTION, 6TON OR 7TON)	1				
2	(*****)	HOOK (AUX.)	1				
3	36092010000	HOOK (SHEAVE 4 PC'S)	1				
4	19491011000	HOOK (12TON)	1				
5	37001802120	ROPE,WIRE (TSK)	1				
6	37001802100	ROPE,WIRE (TSK)	1				
7	(*****)	SOCKET,ROPE (SEIZING)	2				
8	(*****)	OPE.ASSY, WINCH BRAKE (MAIN)	1				
9	(*****)	OPE.ASSY, WINCH BRAKE (AUX.)	1				
10	(*****)	OPE.ASSY,DRUM LOCK (MAIN)	1				
11	(*****)	OPE.ASSY,DRUM LODK (AUX.)	1				
12	(*****)	OPE.ASSY,CLUTCH (MAIN)	1				
13	(*****)	OPE.ASSY,CLUTCH (AUX.)	1				
14	(*****)	DETECTOR,DISORDERLY WIND (MAIN,OPTION)	1				
15	(*****)	DETECTOR,DISORDERLY WIND (AUX.,OPTION)	1				
16	(*****)	PIPING,WINCH (MAIN,FOR TOSHIBA MOTOR)	1				
	(*****)	PIPING,WINCH (MAIN,FOR SANWA MOTOR)	1				
17	(*****)	PIPING,WINCH (AUX.,FOR TOSHIBA MOTOR)	1				
	(*****)	PIPING,WINCH (AUX.,FOR SANWA MOTOR)	1				
18	(*****)	PIPING,WINCH BRAKE (MAIN)	1				
19	(*****)	PIPING,WINCH BRAKE (AUX.)	1				
20	(*****)	DETECTOR,DRUM ROTATION (AML-M,OPTION)	1				
21	(*****)	MOUNT,WINCH (MAIN)	1				
	(*****)	MOUNT,WINCH (MAIN)	1				
22	(*****)	MOUNT,WINCH (AUX.,TOSHIBA)	1				
	(*****)	MOUNT,WINCH (AUX.,SANWA)	1				

TL-250M-4-20102 4 BOOM + JIB,KS303R

Pos No.	Parts No	Parts Name	Qty	Unit	Technical Data	Serial No (Start)	Serial No (End)	Remarks
1	(*****)	SWITCH,DETECTOR (F/J)	1					
2	(*****)	ELEC.ASSY (BOOM)	1					
3	(*****)	ELEC.ASSY (SWING FRAME)	1					
4	(*****)	ELEC.ASSY (OPTION)	1					
	(*****)	ELEC.ASSY (OPTION)	1					
5	(*****)	ELECTRICAL PARTS,CAB	1				340732	
	(*****)	ELECTRICAL PARTS,CAB	1			340733		
6	(*****)	SWITCH PANEL	1			340733		
	(*****)	SWITCH PANEL	1				340732	
7	(*****)	LAMP (WORKING)	1					

TL-250M-4-20102 4 BOOM + JIB,KS303R

PF1220092-01 PIPING,WINCH BRAKE (AUX.)
PF1250016-02 DETECTOR,DRUM ROTATION (AML-M,OPTION)
PF1300006-00 VALVE,CLUTCH
PF1320005-00 JOINT,WINCH ROTARY
PF1400059-05 MOUNT,WINCH (MAIN)
PF1400061-04 MOUNT,WINCH (AUX.,SANWA)
PF1400266-00 MOUNT,WINCH (AUX.,TOSHIBA)
PF1400304-00 MOUNT,WINCH (MAIN)
PG1010145-06 BOOM
PG1040063-01 JIB
PG1050082-03 CYLINDER,TELESCOPING
PG1070028-01 REEL,HOSE
PG1070034-02 REEL,HOSE (MOUNT)
PG1120028-02 DETECTOR SYSTEM, BOOM LENGTH
PG1120085-02 DETECTOR SYSTEM, BOOM LENGTH
PG1130050-02 DETECTOR,BOOM LENGTH (NICHIDEN)
PG1130054-00 DETECTOR,BOOM LENGTH (WITH ANGLE DETECT)
PG1130079-00 DETECTOR,BOOM LENGTH
PG1160000-03 DETECTOR,BOOM RETRACTION (TOP)
PG1200039-05 PIPING,TELESCOPING
PG1360017-01 GUIDE,WIRE
PH1060073-02 DETECTOR,OVER WINDING (BOOM)
PH1060077-00 DETECTOR,OVER WINDING (JIB&S/T)
PH1070001-02 SWITCH,OVER WIND DETECTOR (BOOM)
PH1170011-00 DETECTOR,CONTROL VALVE ACTUATION
PH1180117-01 CONNECTION,MOMENT LIMITER SYSTEM
PH1180141-01 CONNECTION,MOMENT LIMITER SYSTEM
PH1200018-02 PIPING,VENT
PH1200035-00 PIPING,VENT (MODIFICATION)
PH1250009-02 MOMENT LIMITER (AML-M2)
PH1330009-01 LAMP,AML SIGNAL (OPTION)
PI1010026-01 MOTOR,HYDRAULIC (TOSHIBA)
PI1010034-03 MOTOR,HYDRAULIC (SANWA)
PI1010111-00 MOTOR,HYDRAULIC (SANWA)
PI1010124-00 MOTOR,HYDRAULIC (COOLER,OIL)
PI1030007-01 CYLINDER,MASTER (MIYAKO)
PI1030008-01 CYLINDER,MASTER
PI1030008-01 CYLINDER,MASTER
PI1030011-00 CYLINDER,MASTER
PI1030012-00 CYLINDER,MASTER (NABCO)
PI1030040-00 CYLINDER,MASTER
PI1040011-00 CYLINDER,AIR
PI1050002-00 RESERVOIR,OIL
PI1120085-02 VALVE,SOLENOID
PI1120086-02 VALVE,SOLENOID
PI1120353-00 VALVE,SOLENOID
PI1130005-01 VALVE,HYDRAULIC
PI1130029-00 VALVE,HYDRAULIC
PI1140007-01 VALVE,CHECK
PI1140042-00 VALVE,CHECK
PI1140047-00 VALVE,CHECK
PI1140229-00 VALVE,CHECK
PI1160007-00 VALVE,FLOW CONTROL
PI1170000-00 VALVE,PRESSURE DETECTOR
PI1250043-00 VALVE,COUNTERBALANCE (TOSHIBA)
PI1250066-00 VALVE,COUNTERBALANCE (SANWA)
PI1260011-02 CARTRIDGE, COUNTERBALANCE
PI1280047-00 VALVE,PILOT CHECK
PI1300012-03 FILTER,OIL (TANK,OIL)
PI1300080-00 FILTER,OIL
PI1300120-02 FILTER,OIL
PI1340011-01 ACCUMULATOR
PI1420001-01 GAUGE,PRESSURE
PI1420002-00 GAUGE,PRESSURE

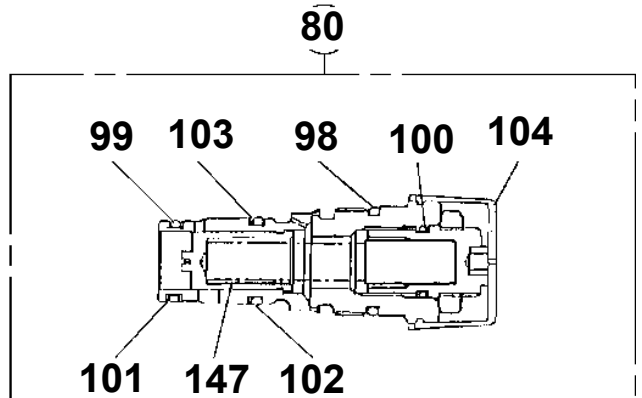
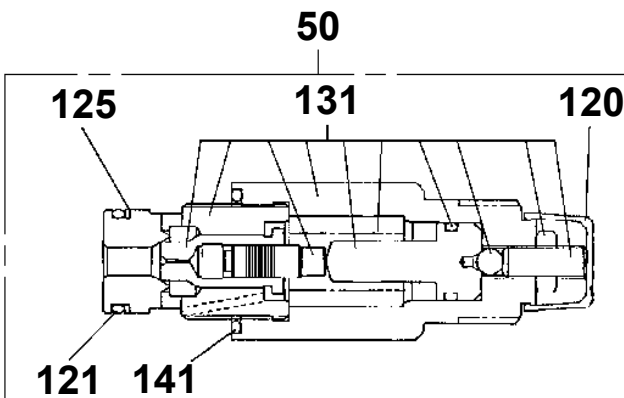
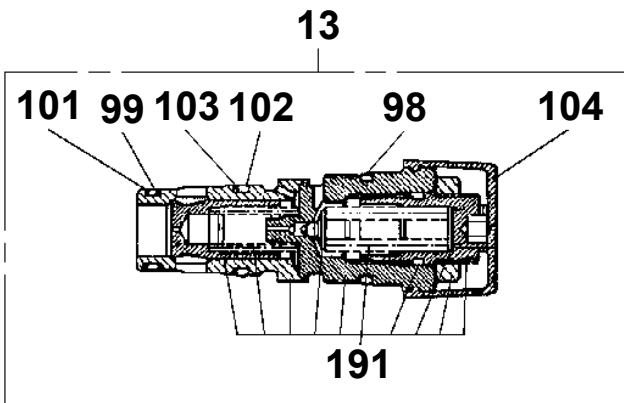
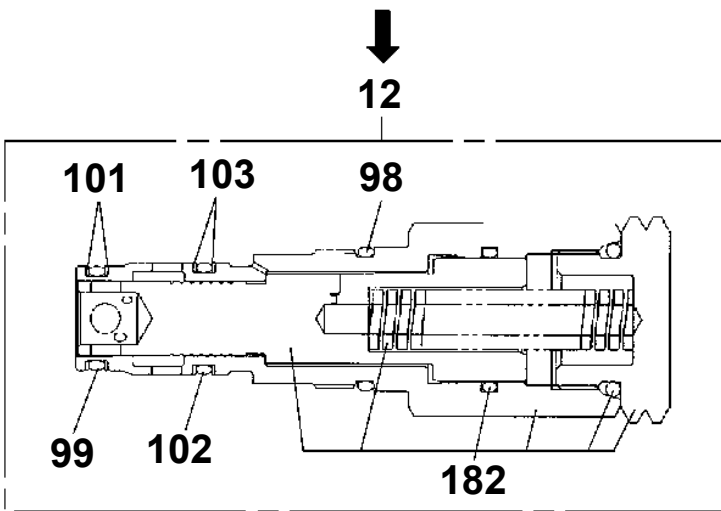
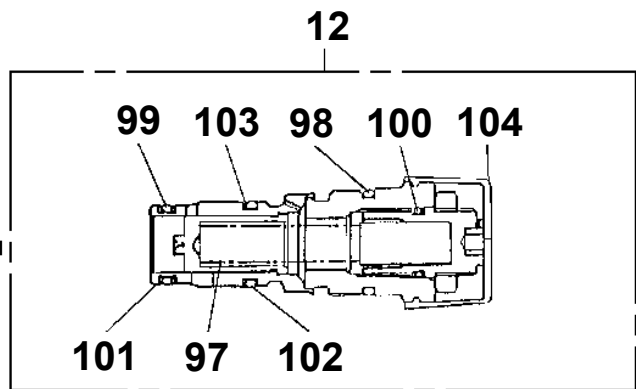
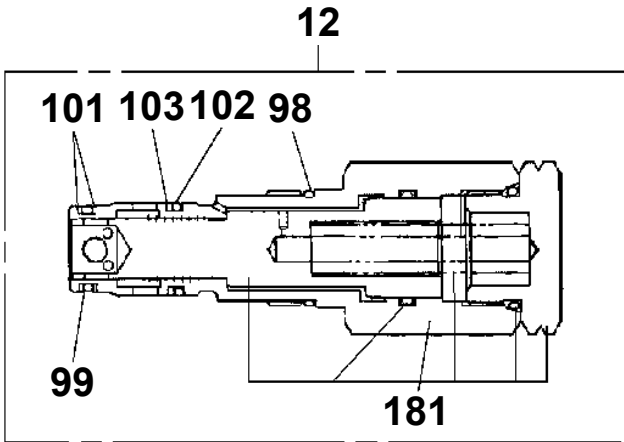
TL-250M-4-20102 4 BOOM + JIB,KS303R

Pos No.	Parts No	Parts Name	Qty	Unit	Technical Data	Serial No (Start)	Serial No (End)	Remarks	Pages
1	37002505960	HOSE	2						
2	91803601000	CLIP	8		D=85-100				
3	33642901100	JOINT	1						
4	37000802380	FITTING,FLANGE	1						
5	91001206000	O-RING	2		1A G60				
6	90101212030	BOLT	8		M12X30				
7	90302041201	WASHER,SPRING	8		12				
8	37000709390	CLAMP ASSY	1						
9	33642901200	JOINT	1						
10	91001208000	O-RING	1		1A G80				
11	90101208020	BOLT	4		M8X20				
12	90302040801	WASHER,SPRING	4		8				
13	80330003500	FITTING	1						
14	33642901300	JOINT	1						
15	37000709400	CLAMP ASSY	1						

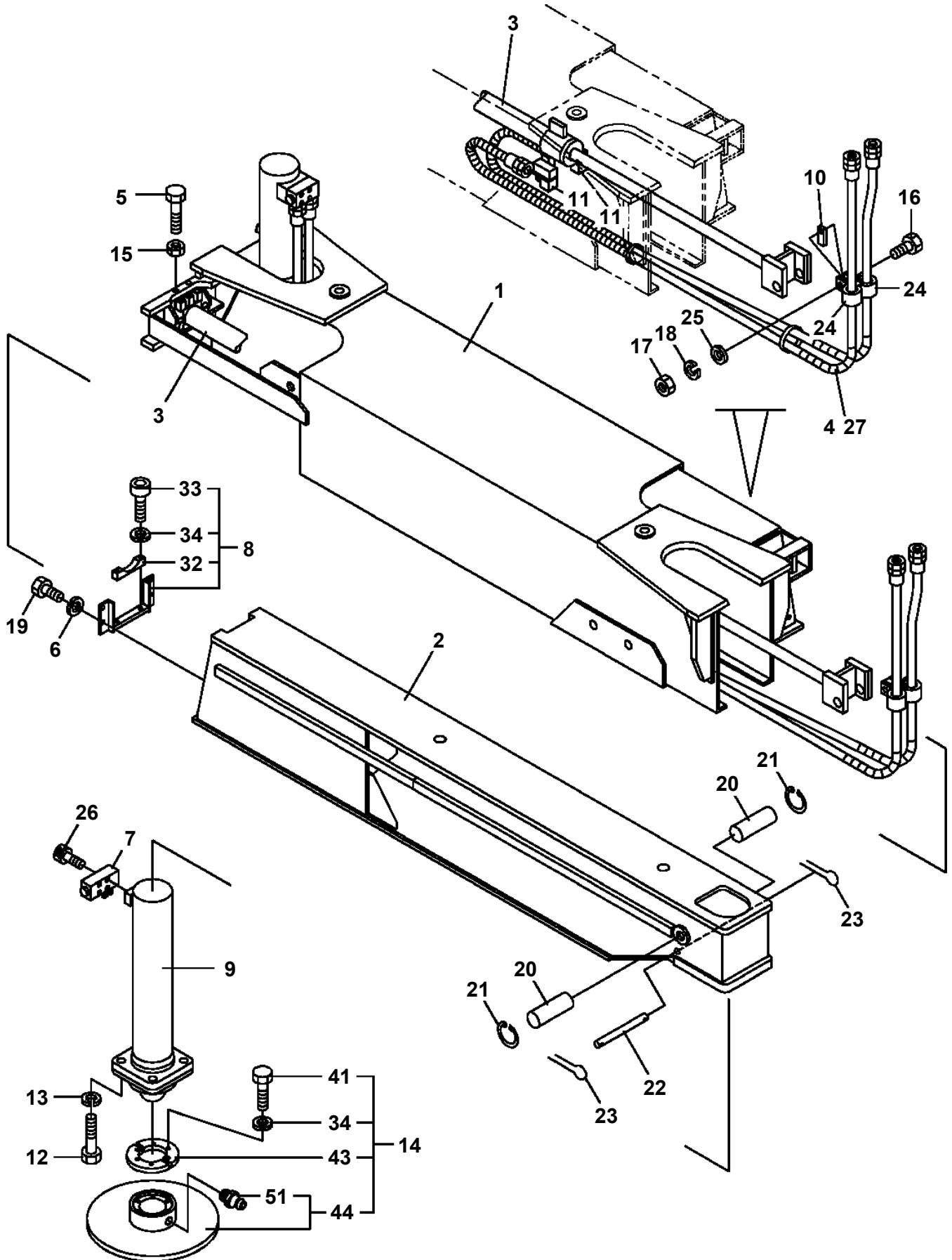
TL-250M-4-20102 4 BOOM + JIB,KS303R

Pos No.	Parts No	Parts Name	Qty	Unit	Technical Data	Serial No (Start)	Serial No (End)	Remarks
1	33630721000	BRUSH,ROTARY JOINT	1					
2	90131508020	BOLT,HEXAGON SOCKET	4		M8X20			
3	90302040801	WASHER,SPRING	4		8			
4	33630490400	SPACER	1					
5	37000400070	BEARING,PLAIN	1					
6	91531214000	PACKING	2					
7	91100214000	SEAL,RING	5					
8	33630490200	BODY	1					
9	33630490300	CORE	1					
10	37000400090	BEARING,PLAIN	1					
11	33630460400	STOPPER	2					
12	90101210025	BOLT	4		M10X25			
13	90302041001	WASHER,SPRING	4		10			
14	33630722000	HARNESS	1					
15	91002801800	O-RING	1		1B P18			
16	91002902500	O-RING	2		1B G25			
17	91002903000	O-RING	2		1B G30			
18	91002905000	O-RING	1		1B G50			
19	90131512035	BOLT,HEXAGON SOCKET	6		M12X35			
20	90302041201	WASHER,SPRING	6		12			
21	33630490600	FITTING,FLANGE	1					
100	33630720000	JOINT,ROTARY	1					

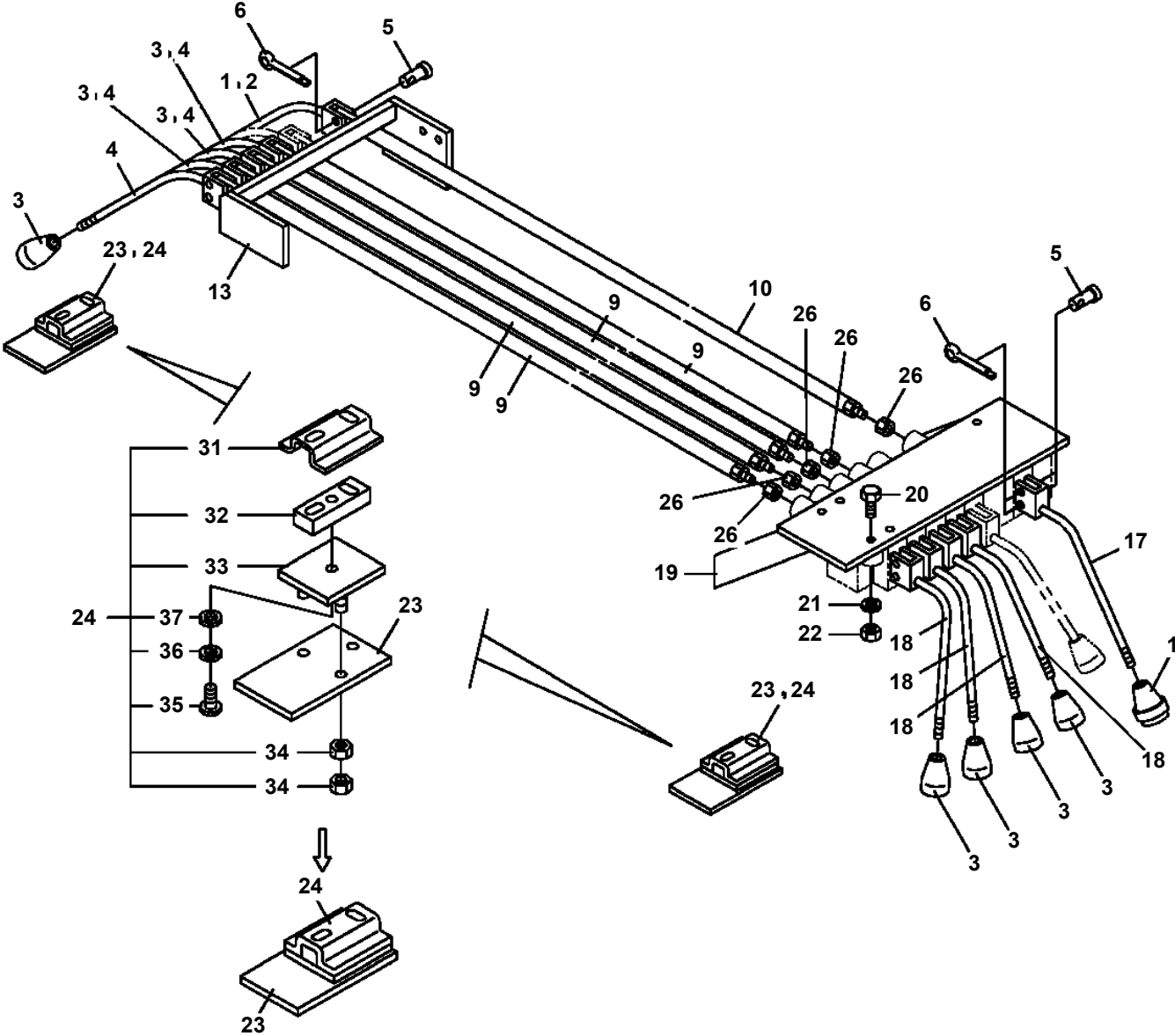
**TL-250M-4-20102 4 BOOM + JIB,KS303R
PB1320103-06 VALVE,MANUAL CONTROL**



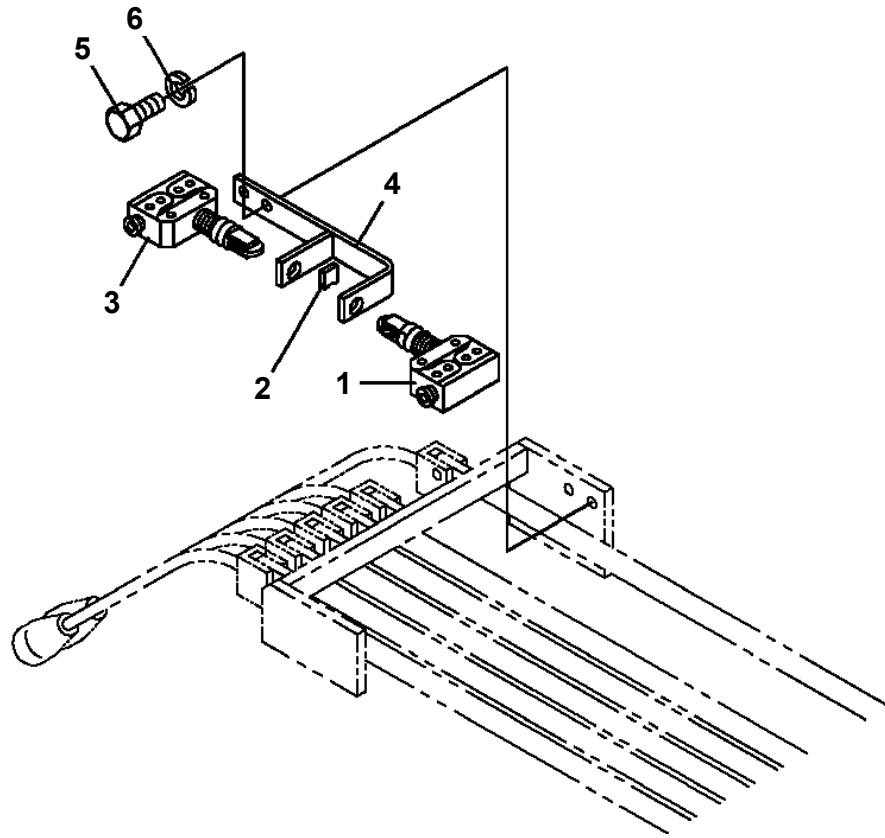
TL-250M-4-20102 4 BOOM + JIB,KS303R
PC1010275-01 OUTRIGGER



**TL-250M-4-20102 4 BOOM + JIB,KS303R
PC1100049-01 OPERATION SYSTEM, OUTRIGGER**



TL-250M-4-20102 4 BOOM + JIB,KS303R
PC1180038-00 DETECTOR,OUTRIGGER STATE (NO.2)



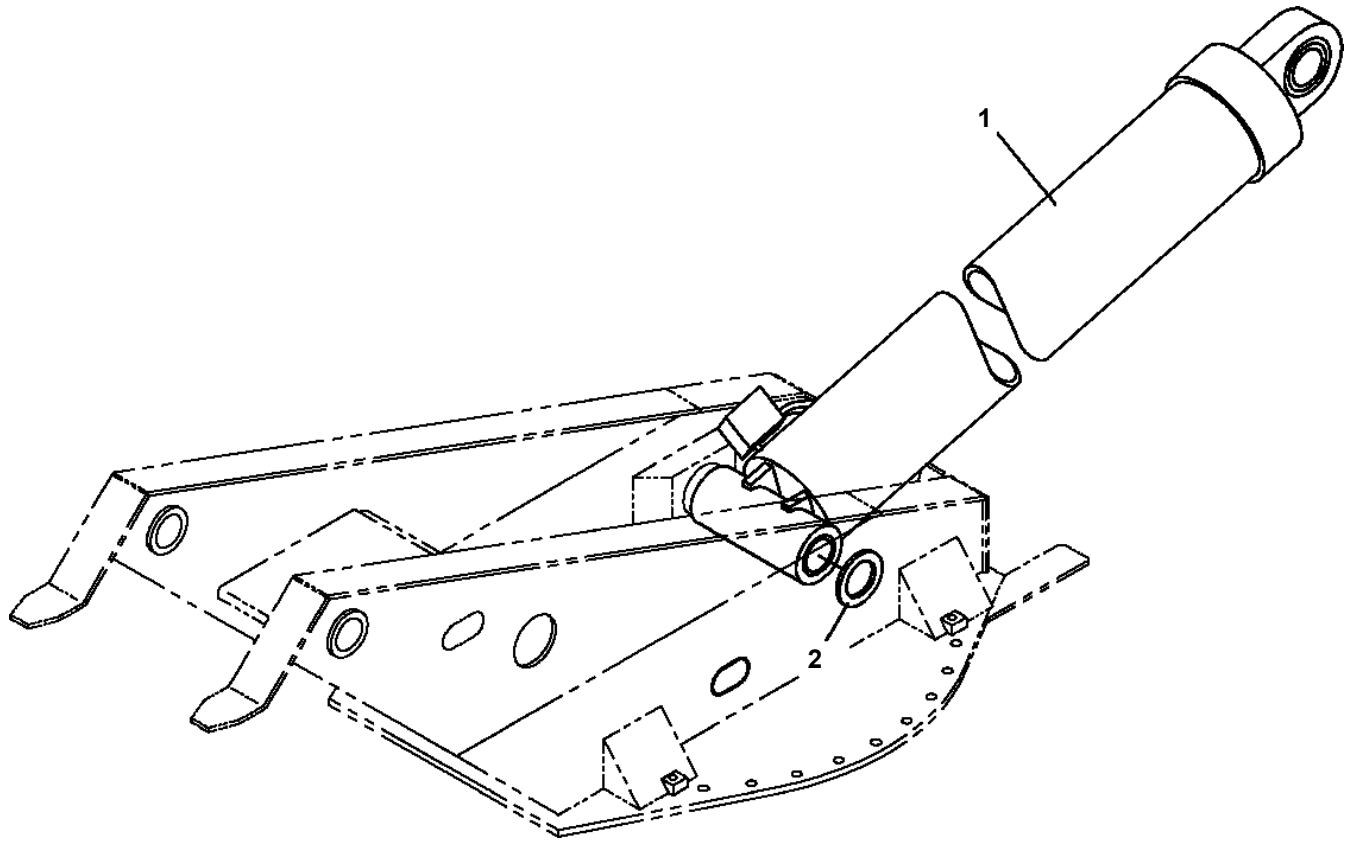
TL-250M-4-20102 4 BOOM + JIB,KS303R

Pos No.	Parts No	Parts Name	Qty	Unit	Technical Data	Serial No (Start)	Serial No (End)	Remarks	Pages
1	37000906140	JOINT	1			340642			
	37000920920	JOINT	1				340641		
2	37002411060	HOSE	2		L=600				
3	80430410450	JOINT	2						
4	80303030140	FITTING,ELBOW	2		KLN12-020N				
5	37000503220	SUPPORT	5						
6	81408000160	PIPE,STEEL	1	M	12X1.4T				
7	81408000160	PIPE,STEEL	1	M	12X1.4T				
8	80301010100	FITTING	5		KUA12-000N				
9	81408000160	PIPE,STEEL	4	M	12X1.4T				
10	81408000160	PIPE,STEEL	4	M	12X1.4T				
11	81408000160	PIPE,STEEL	3	M	12X1.4T				
12	81408000160	PIPE,STEEL	3	M	12X1.4T				
13	37000502460	PLATE	2						
14	80305010100	FITTING,TEE	1		KTA12-000N				
15	81408000160	PIPE,STEEL	2	M	12X1.4T				
16	37000502450	PLATE	1						
17	81408000160	PIPE,STEEL	1	M	12X1.4T				
18	81408000241	PIPE,STEEL	1	M	18X1.9T				
19	81408000160	PIPE,STEEL	1	M	12X1.4T				
20	80302090161	FITTING	11		KCO12-030N				
21	91002801400	O-RING	11		1B P14				
22	91002801800	O-RING	1		1B P18				
23	80302090241	FITTING	1		KCO18-040N				
24	81408000160	PIPE,STEEL	1	M	12X1.4T				
25	81408000160	PIPE,STEEL	1	M	12X1.4T				
26	81408000160	PIPE,STEEL	1	M	12X1.4T				
27	81408000160	PIPE,STEEL	1	M	12X1.4T				
28	81408000160	PIPE,STEEL	3	M	12X1.4T				
29	81408000160	PIPE,STEEL	3	M	12X1.4T				
30	81408000160	PIPE,STEEL	1	M	12X1.4T				
31	81408000160	PIPE,STEEL	1	M	12X1.4T				
32	81408000160	PIPE,STEEL	1	M	12X1.4T				
33	80316070040	PLUG	1		PF1/4		340641		
34	91002801100	O-RING	1		1B P11		340641		
35	37000711080	CLAMP ASSY	7		12-2				
36	37000711000	CLAMP ASSY	1		12-1				

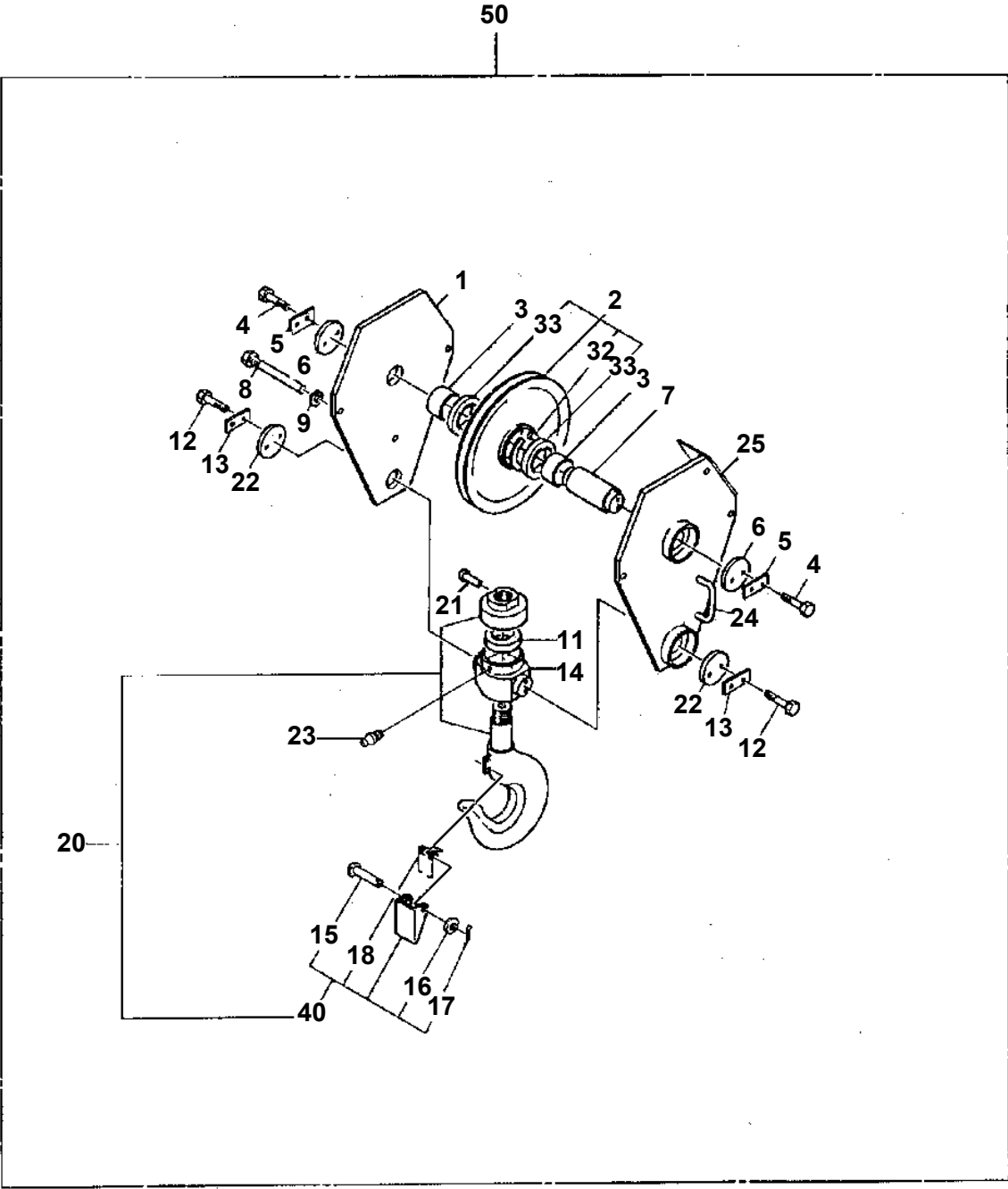
TL-250M-4-20102 4 BOOM + JIB,KS303R

Pos No.	Parts No	Parts Name	Qty	Unit	Technical Data	Serial No (Start)	Serial No (End)	Remarks
1	36340150000	REDUCER ASSY	1					
2	36660980000	MOTOR ASSY	1					
3	36080415010	NIPPLE	1					
4	36080415020	JOINT,ELBOW	1					
5	80316080080	PLUG	1		PT1/2			
11	36340155010	HOUSING (GEAR)	1					
12	36340155020	SHAFT (R)	1					
13	80500022217	BEARING,BALL	1					
14	16623320050	SEAL,OIL	1					
15	36080155280	WASHER	3					
16	80165106010	SCREW,MACHINE	3		M6X10			
17	36340155030	SPIDER	1					
18	36340155040	GEAR (P2)	3					
19	36340155050	PIN,KING (P2)	3					
20	16623320100	BEARING,THRUST	6					
21	36340155060	BEARING,NEEDLE	6					
22	80720106025	PIN,SPRING	3		6X25			
23	36340155070	RING,THRUST	2					
24	36340155080	PIN	3		18X40			
25	36340155090	BEARING	1					
26	90131516060	BOLT,HEXAGON SOCKET	6		M16X60			
27	36340155100	GEAR (R2)	1					
28	80730130025	PIN	1		13X25			
29	18335116040	O-RING	2					
30	36340155110	PIN	2		20X65			
31	36340155120	COVER,END	1					
32	90131512080	BOLT,HEXAGON SOCKET	2		M12X80			
33	36340155130	GEAR (S2)	1					
34	36340155140	GEAR (P1)	3					
35	36340155150	BEARING,NEEDLE	3					
36	36340155160	PIN,KING (P1)	3					
37	36080155220	WASHER	3					
38	80601110200	RING,RITAINING	3		S20			
39	80720106018	PIN,SPRING	3		6X18			
40	36340155170	CARRIER	1					
41	80601110500	RING,RITAINING	1		S50			
42	36340155180	O-RING	2					
43	80316030020	PLUG	1		PT1/8			
44	90101510050	BOLT	13		M10X50			
45	90101510075	BOLT	2		M10X75			
46	90302041001	WASHER,SPRING	15		10			
47	80316030060	PLUG	6		PT3/8			
48	36340155190	GEAR (R1)	1					
51	36660985010	SHAFT	1					
52	80500006305	BEARING,BALL	1					
53	36660025140	SEAL,OIL	1					
54	36660985070	ROLLER,NEEDLE	3					
55	36660985040	PLATE (CAM)	1					
56	80720110020	PIN,SPRING	1		10X20			
57	36660985050	BARREL,CYLINDER	1					
58	36660495070	HOLDER,PLUNGER	1					
59	36660985030	HOUSING ASSY	1					
60	36660985090	FACING	1					
61	80500006006	BEARING,BALL	1					
62	14315102190	O-RING	1					
63	36660985110	COVER (BOTTOM)	1					
64	18335116940	BREATHER,AIR	1					
67	80602110520	RING,RITAINING	1		R52			
68	36660985100	SPRING (BRAKE)	20					
70	36660125050	PLUG	1		PT1/4			
72	59451302360	CAP (AIR BLEEDER SCREW)	1					
82	36660985060	SPRING (CENTER)	1					
83	80602110450	RING,RITAINING	1		R45			

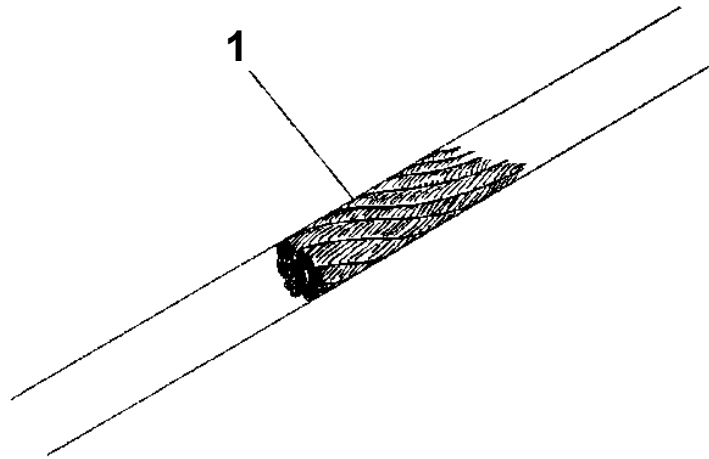
TL-250M-4-20102 4 BOOM + JIB,KS303R
PE1010081-00 CYLINDER,ELEVATING (MOUNT)



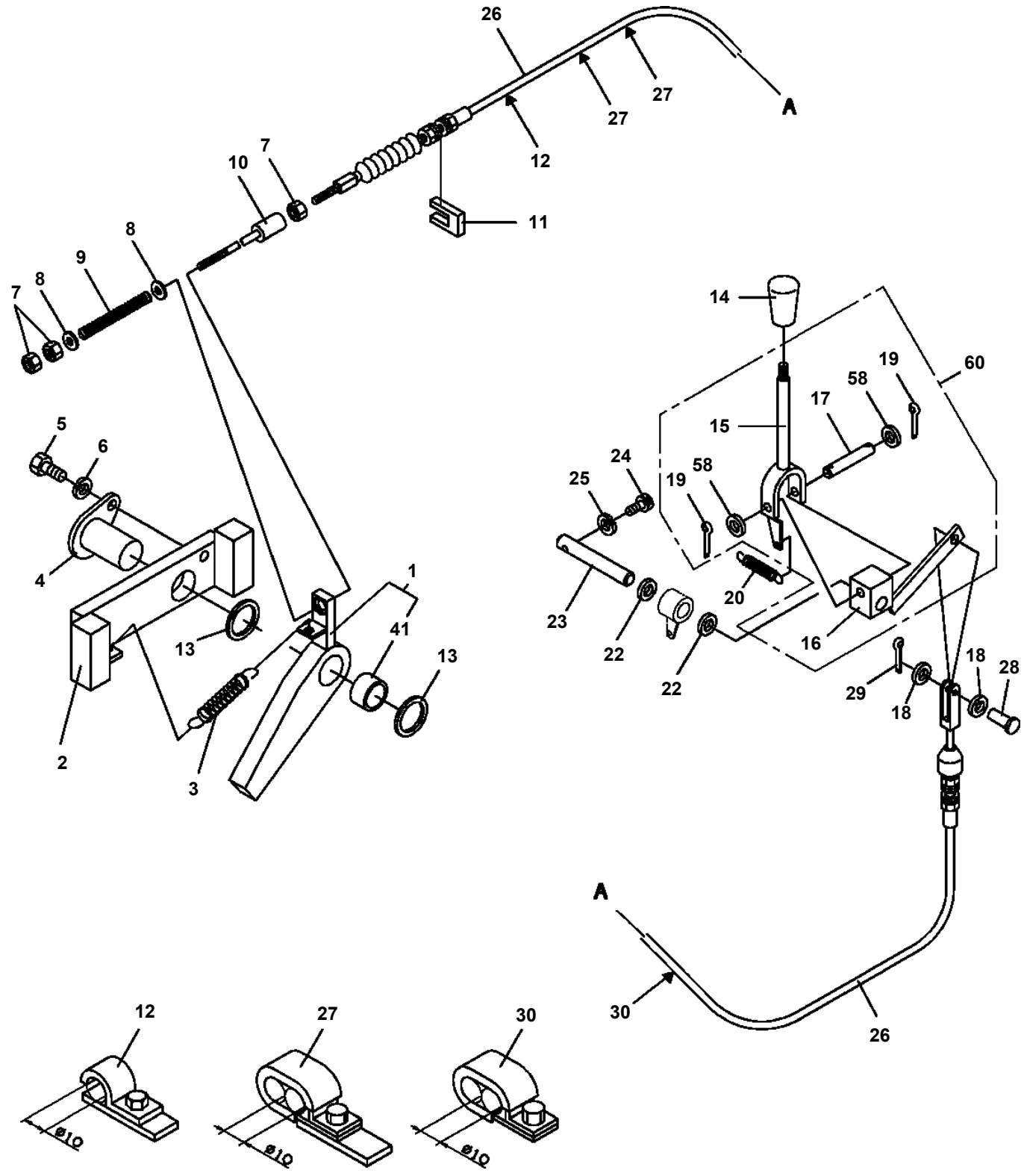
TL-250M-4-20102 4 BOOM + JIB,KS303R
PF1050015-00 HOOK (OPTION, 6TON OR 7TON)



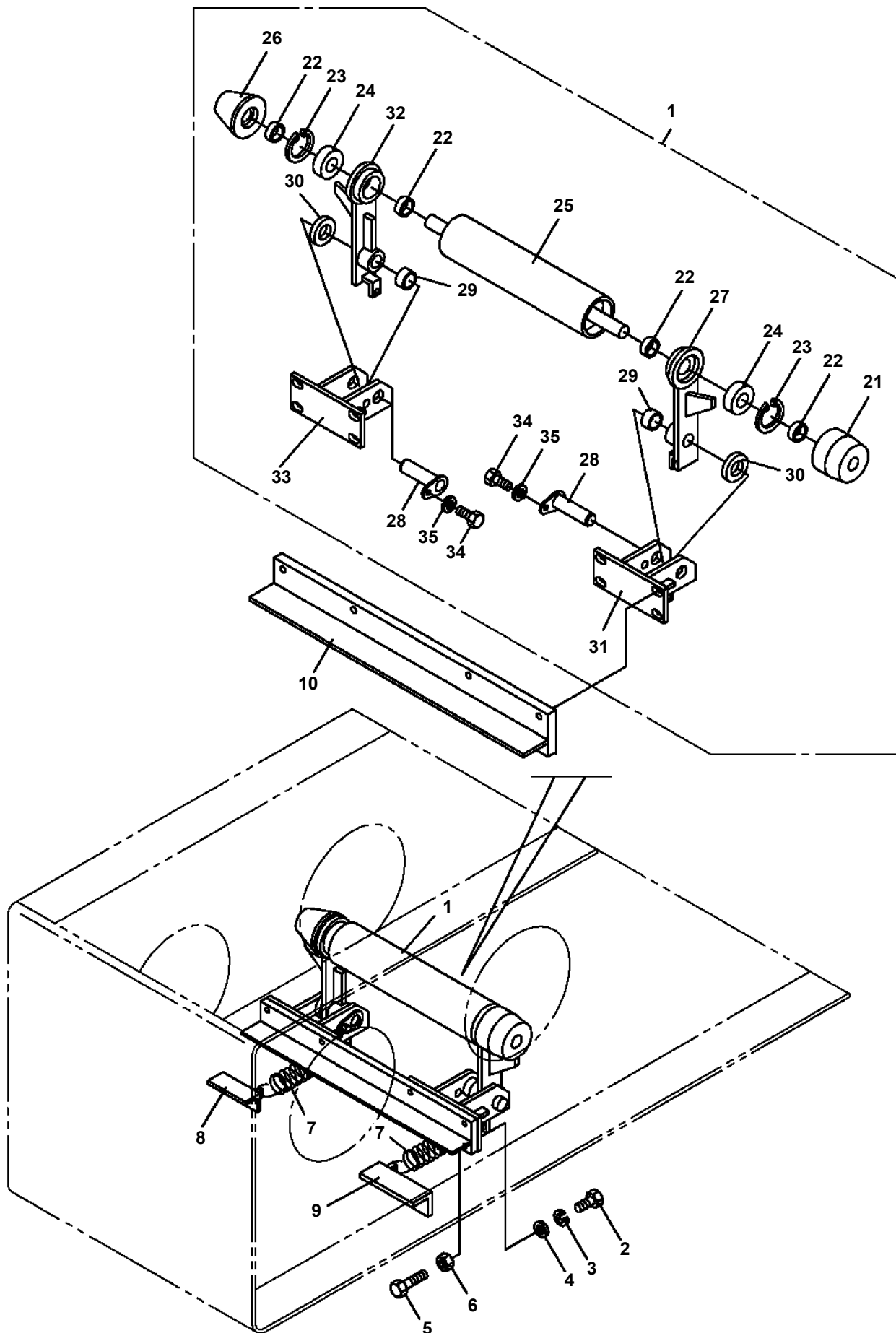
TL-250M-4-20102 4 BOOM + JIB,KS303R
PF1070032-00 ROPE,WIRE (TSK)



**TL-250M-4-20102 4 BOOM + JIB,KS303R
PF1140016-02 OPE.ASSY,DRUM LOCK (MAIN)**



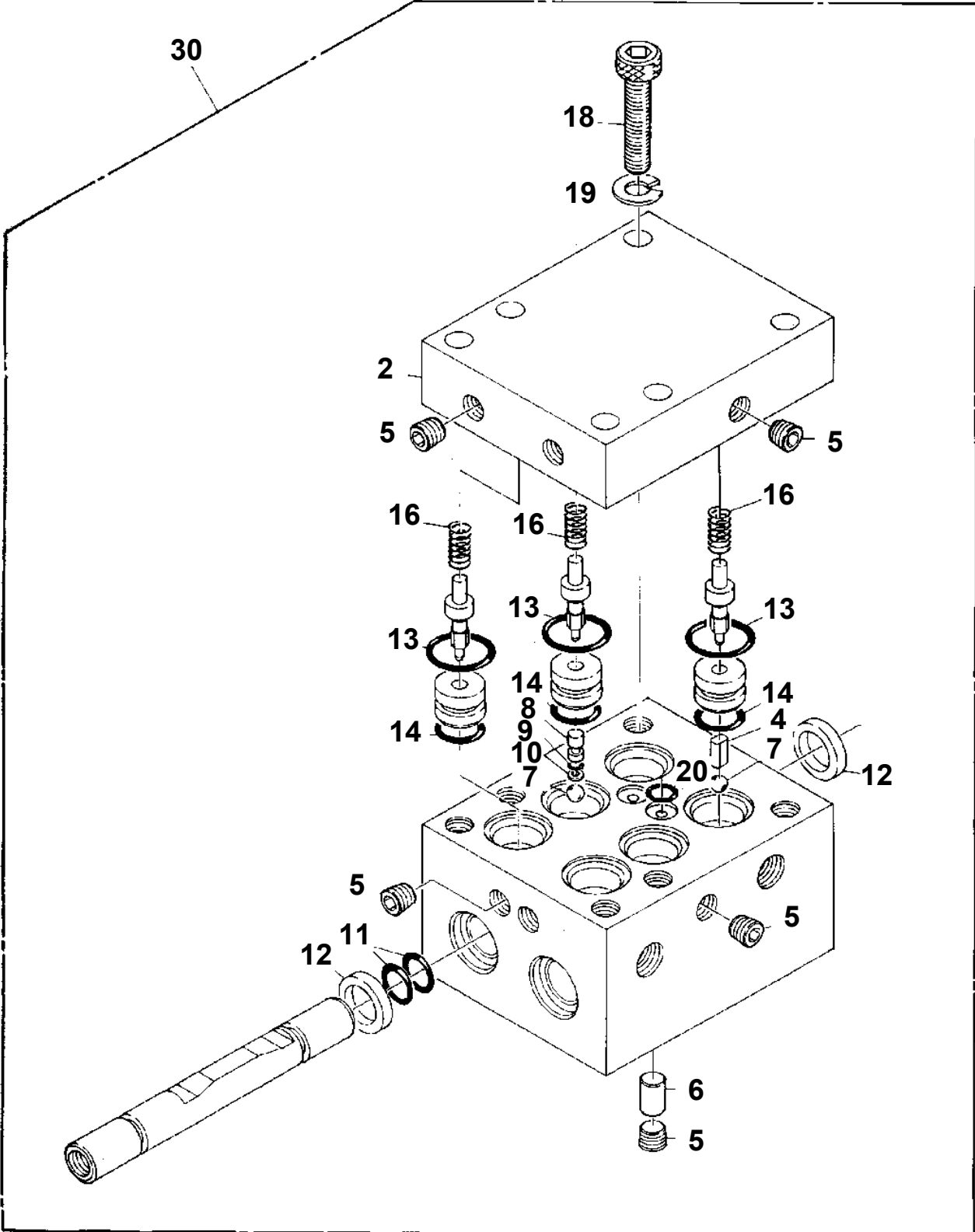
TL-250M-4-20102 4 BOOM + JIB,KS303R
PF1180015-01 DETECTOR,DISORDERLY WIND (AUX.,OPTION)



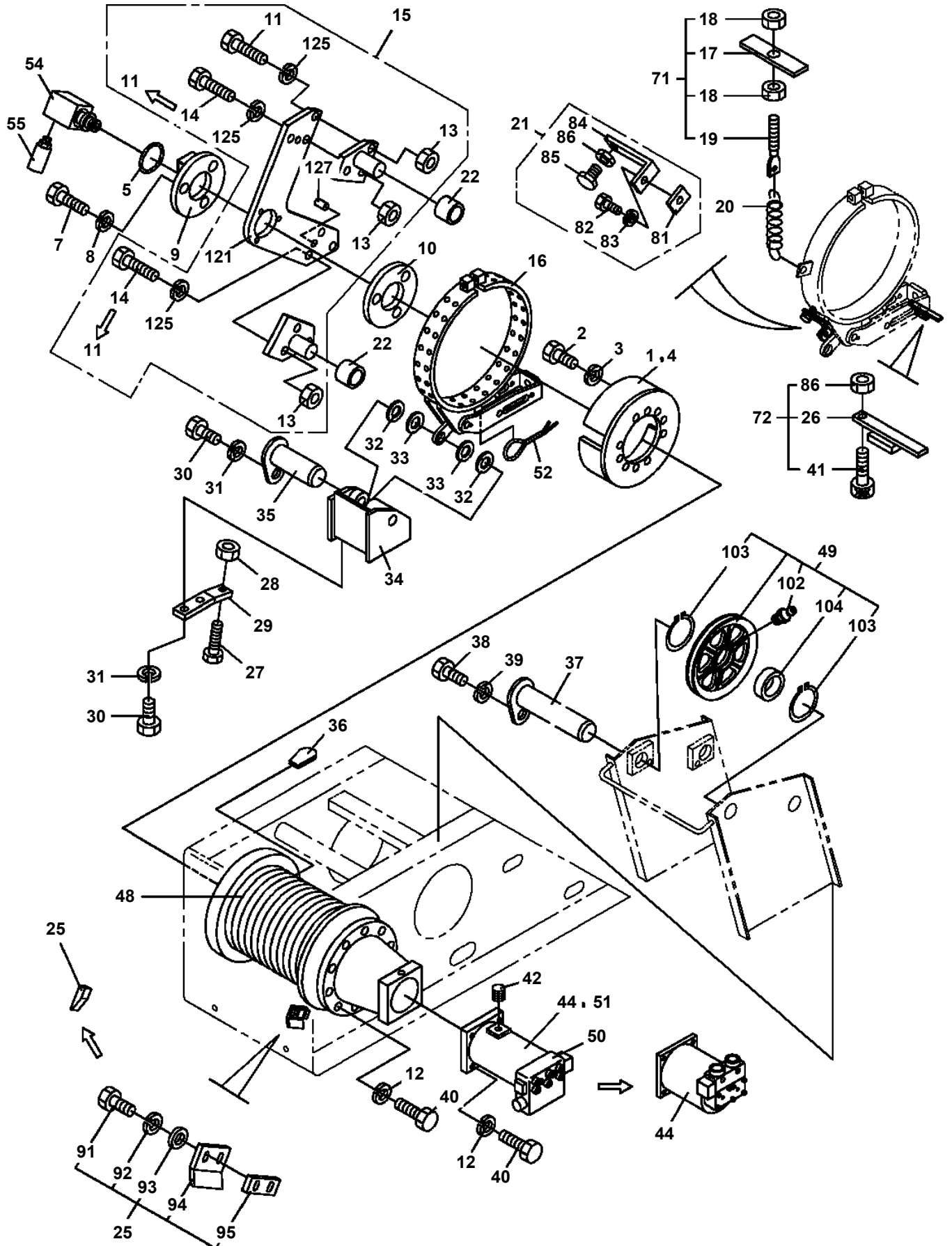
TL-250M-4-20102 4 BOOM + JIB,KS303R

Pos No.	Parts No	Parts Name	Qty	Unit	Technical Data	Serial No (Start)	Serial No (End)	Remarks	Page
1	36632340000	VALVE,CLUTCH	1						0000
4	36671250000	FILTER,OIL	2						
6	36671060005	ACCUMULATOR	2				340753		0001
	36672480000	ACCUMULATOR	2			340754			
8	80302090101	FITTING	1		KCO10-020N				
9	80400160135	JOINT	2						
10	80305010080	FITTING,TEE	2		KTA10-000N		340753		
	80305010080	FITTING,TEE	3		KTA10-000N	340754			
11	80400160103	FITTING	3		20368-U3/8X1/4				
12	80400160106	FITTING	1		20368-U1/2X1/2		340762		
13	80305050080	FITTING,TEE	1		KTA10-020N	340754			
	80305050080	FITTING,TEE	2		KTA10-020N		340753		
14	80430621600	JOINT	1						
15	37000912800	JOINT	1						
16	80430451650	JOINT	1						
17	37000912810	JOINT	1				340762		
18	80400160112	FITTING,ELBOW	1		20369U1/2X1/2				
19	80303130101	FITTING,ELBOW	3		KLO10-020E				
21	80301010080	FITTING	4		KUA10-000E				
22	80320020050	FITTING	2		KUF10-020N				
23	80305030040	FITTING,TEE	1						
24	80400160109	FITTING,ELBOW	1		20369-U3/8X1/4				
25	80302010100	FITTING	3		KCT10-020N				
26	80302010120	FITTING	2		KCT10-030N				
27	80315040040	JOINT	1						
28	80400160115	FITTING,TEE	1						
29	80303050060	FITTING,ELBOW	1						
31	80303030100	FITTING,ELBOW	2		KLN10-020N	340754			
	80303030100	FITTING,ELBOW	3		KLN10-020N		340753		
32	80307010080	FITTING	1						
33	80430620400	JOINT	1						
34	91002802900	O-RING	3		1B P29				
35	91002801400	O-RING	2		1B P14	340763			
	91002801400	O-RING	3		1B P14	340754	340762		
	91002801400	O-RING	1		1B P14		340753		
36	91002801100	O-RING	3		1B P11		340758		
	91002801100	O-RING	4		1B P11	340759			
37	80400160127	JOINT	1			340759			
	80430410450	JOINT	1				340758		
41	81408000130	PIPE,STEEL	1	M	10X1.8T				
42	81408000130	PIPE,STEEL	2	M	10X1.8T				
43	80441010906	FITTING	1			340763			
44	81408000130	PIPE,STEEL	2	M	10X1.8T				
45	81408000130	PIPE,STEEL	2	M	10X1.8T				
46	81408000130	PIPE,STEEL	2	M	10X1.8T				
47	81408000130	PIPE,STEEL	2	M	10X1.8T				
48	81408000130	PIPE,STEEL	2	M	10X1.8T				
49	81408000130	PIPE,STEEL	2	M	10X1.8T				
52	81408000130	PIPE,STEEL	1	M	10X1.8T				
53	81408000130	PIPE,STEEL	2	M	10X1.8T				
54	81408000130	PIPE,STEEL	1	M	10X1.8T				
55	81408000130	PIPE,STEEL	1	M	10X1.8T				
57	37002420920	HOSE	2		L=1400				
58	89640102000	HOSE	1		880-NFK,2M				
61	89640201000	HOSE	1		660-NFK,1M				
62	37002415780	HOSE	2		L=530				
64	37000702220	CLAMP ASSY	1						
65	37000704820	CLAMP ASSY	1						
66	37000539200	PLATE	1						
67	37000702350	CLAMP ASSY	1						
68	37000706330	CLAMP ASSY	1						
70	90101210020	BOLT	2		M10X20				
71	90101208016	BOLT	4		M8X16				

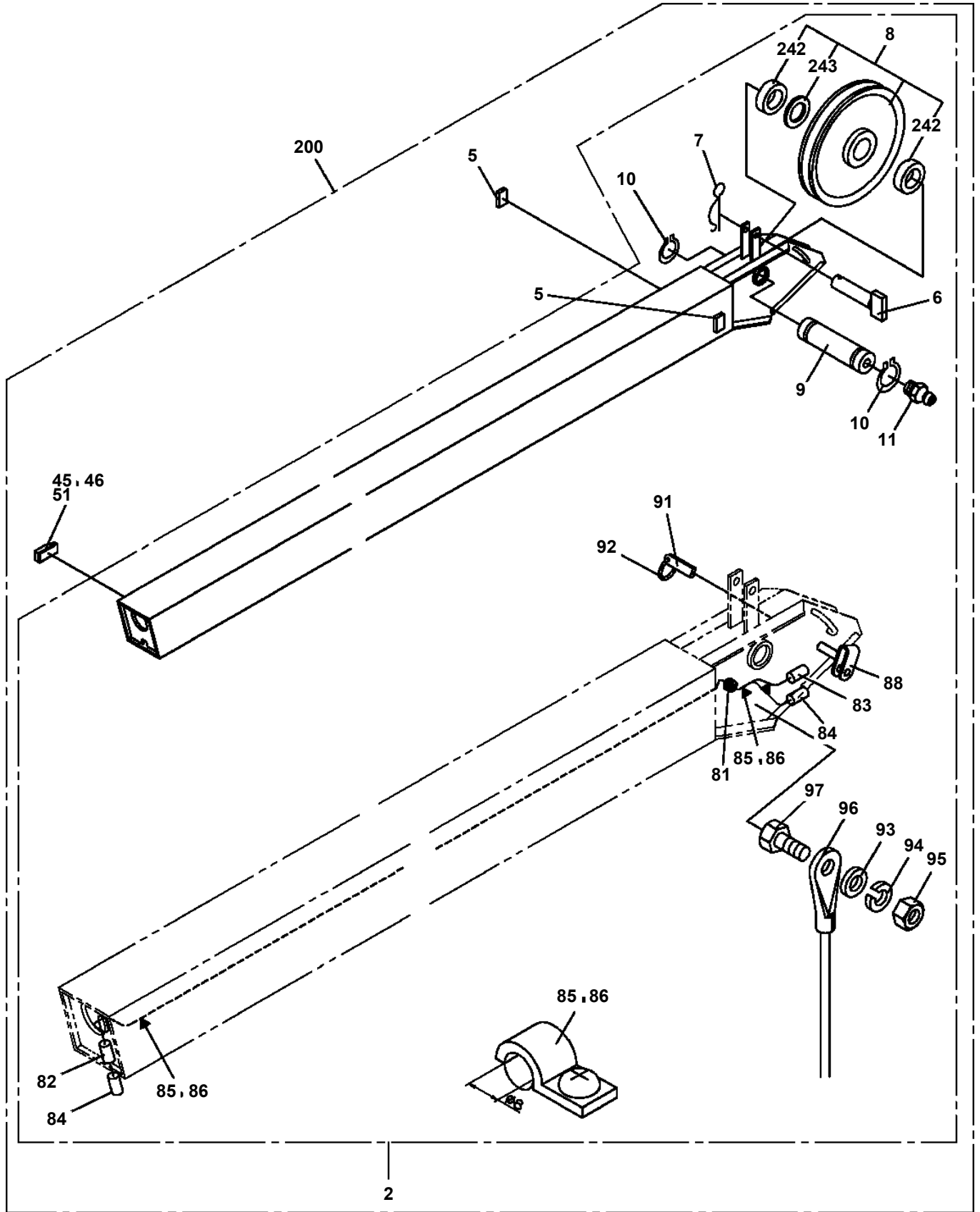
TL-250M-4-20102 4 BOOM + JIB,KS303R
PF1300006-00 VALVE,CLUTCH



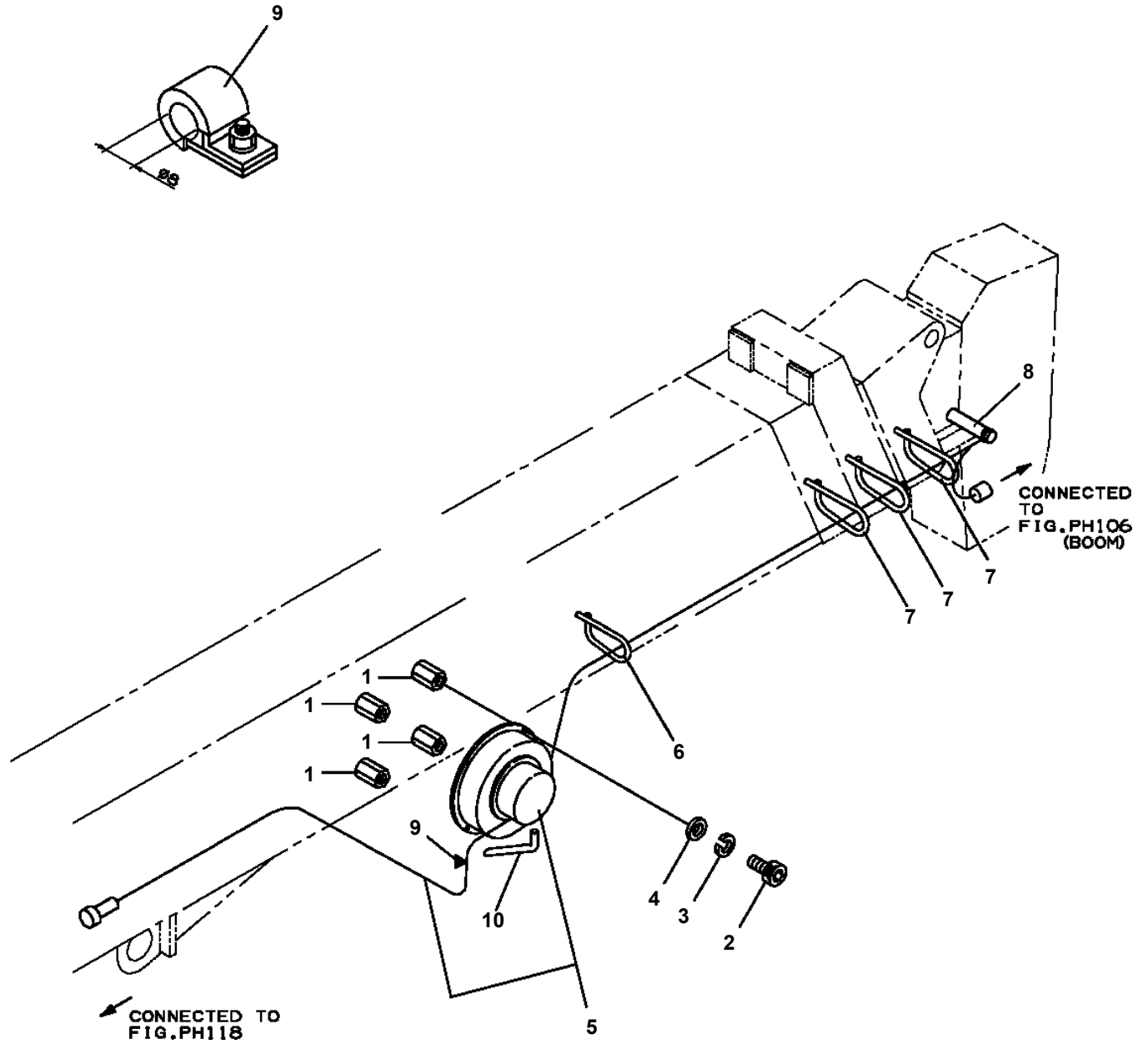
**TL-250M-4-20102 4 BOOM + JIB,KS303R
PF1400304-00 MOUNT,WINCH (MAIN)**



TL-250M-4-20102 4 BOOM + JIB,KS303R
PG1040063-01 JIB



TL-250M-4-20102 4 BOOM + JIB,KS303R
PG1120028-02 DETECTOR SYSTEM, BOOM LENGTH



CLICK HERE TO **DOWNLOAD** THE COMPLETE MANUAL

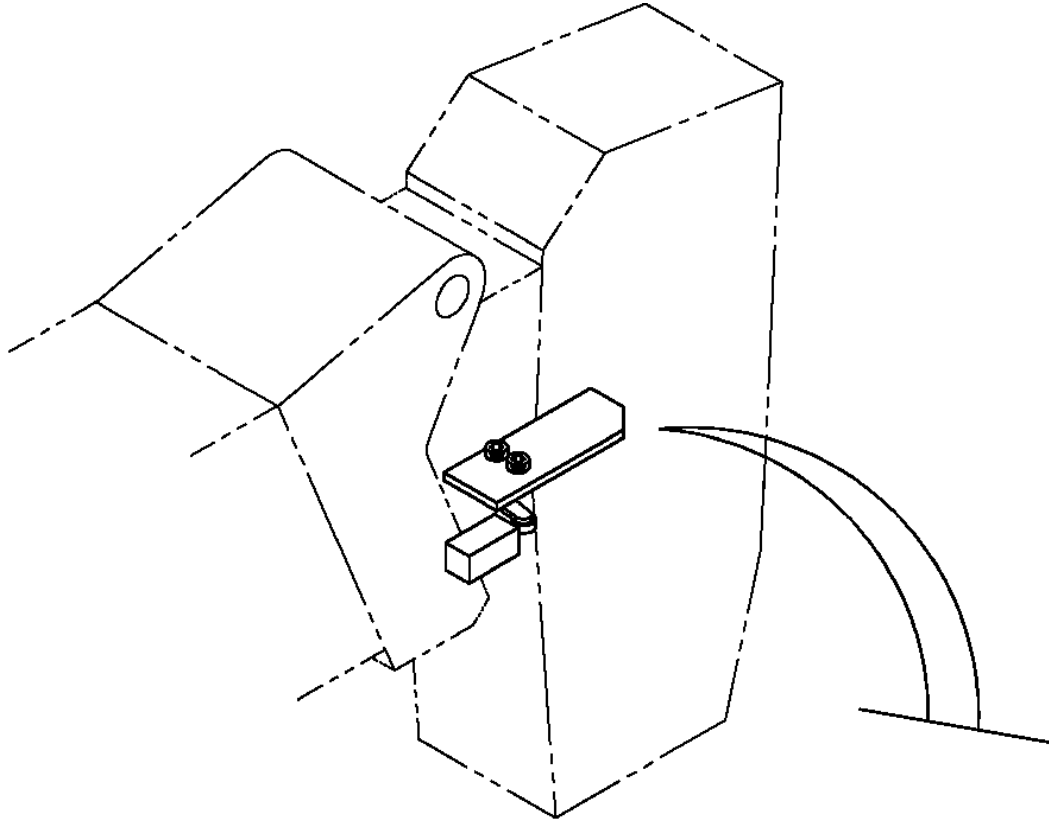
- Thank you very much for reading the preview of the manual.
- You can download the complete manual from: www.heydownloads.com by clicking the link below



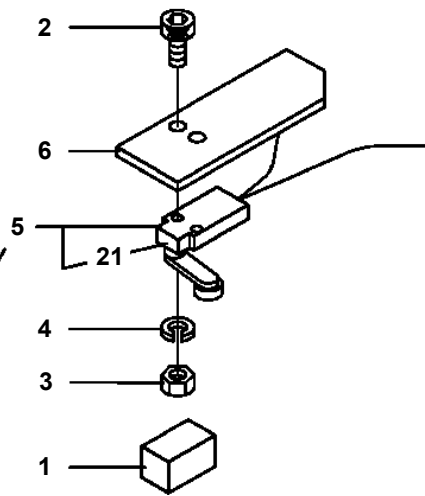
- Please note: If there is no response to CLICKING the link, please download this PDF first and then click on it.

CLICK HERE TO **DOWNLOAD** THE COMPLETE MANUAL

**TL-250M-4-20102 4 BOOM + JIB,KS303R
PG1160000-03 DETECTOR,BOOM RETRACTION (TOP)**



**4TH/TOP BOOM SECTION
FULL RETRACTION
DETECTOR S/W**



TL-250M-4-20102 4 BOOM + JIB,KS303R

Pos No.	Parts No	Parts Name	Qty	Unit	Technical Data	Serial No (Start)	Serial No (End)	Remarks	Pages
1	14128208000	RING	5						
2	37001900310	WIRE	1						
3	33370085100	WEIGHT	1						
4	37001900100	ROPE,WIRE	1		L=1180				
5	37002900000	SHACKLE ASSY	1						
7	37000117960	PIN	1						
8	90000000090	RING	1						

TL-250M-4-20102 4 BOOM + JIB,KS303R

Pos No.	Parts No	Parts Name	Qty	Unit	Technical Data	Serial No (Start)	Serial No (End)	Remarks	Pa
1	91002801100	O-RING	5		1B P11				
2	80302090141	FITTING	1		KCO12-020N				
4	80302010140	FITTING	1		C717KCT12-020N				
5	81408000160	PIPE,STEEL	1	M	12X1.4T				
7	36642920000	VALVE,SOLENOID	1						000
9	80302090101	FITTING	4		KCO10-020N				
10	81408000130	PIPE,STEEL	1	M	10X1.8T				
11	81408000130	PIPE,STEEL	1	M	10X1.8T				
12	90101205014	BOLT	2		M5X14				
13	90302040501	WASHER,SPRING	2		5				

TL-250M-4-20102 4 BOOM + JIB,KS303R

Pos No.	Parts No	Parts Name	Qty	Unit	Technical Data	Serial No (Start)	Serial No (End)
1	36661840000	MOTOR,HYDRAULIC (SANWA)	1				
2	36603180000	VALVE,COUNTERBALANCE (SANWA)	1				
100	36661680000	MOTOR,HYDRAULIC (SANWA)	1				

TL-250M-4-20102 4 BOOM + JIB,KS303R

Pos No.	Parts No	Parts Name	Qty	Unit	Technical Data	Serial No (Start)	Serial No (End)	Remarks
1	36061395030	PISTON KIT (REPAIR KIT)	1					
2	36061395020	VALVE,BREATHER	1					
3	36061395010	ROD,PUSH	1					
10	36061390001	CYLINDER,MASTER	1					

TL-250M-4-20102 4 BOOM + JIB,KS303R

Pos No.	Parts No	Parts Name	Qty	Unit	Technical Data	Serial No (Start)	Serial No (End)	Remarks	Pages
1	36100255010	RESERVOIR	1						
2	36102225020	CAP	1						
3	36102225030	NET	1						
4	36100255020	BAND	1						
30	36100250000	RESERVOIR,OIL	1						

TL-250M-4-20102 4 BOOM + JIB,KS303R

Pos No.	Parts No	Parts Name	Qty	Unit	Technical Data	Serial No (Start)	Serial No (End)	Remarks
2	91001101800	O-RING	4		1A P18			
3	36641475010	COVER (SIDE,A)	1					
4	36641475020	COVER (SIDE,B)	1					
7	36641605030	SPRING	1			340654		
	36641605030	SPRING	2				340653	
8	80316030020	PLUG	2		PT1/8			
9	91040101001	O-RING	1		P10A			
10	91411001001	RING,BACKUP	1		P10A			
11	59457138000	PLUG ASSY	1					
12	90131508035	BOLT,HEXAGON SOCKET	4		M8X35			
13	90131508025	BOLT,HEXAGON SOCKET	4		M8X25			
14	36641605040	SEAT,SPRING	1					
15	36641475030	SEAT,SPRING	1					
16	36641885010	SPRING	1			340654		
20	36642370000	VALVE,HYDRAULIC	1					

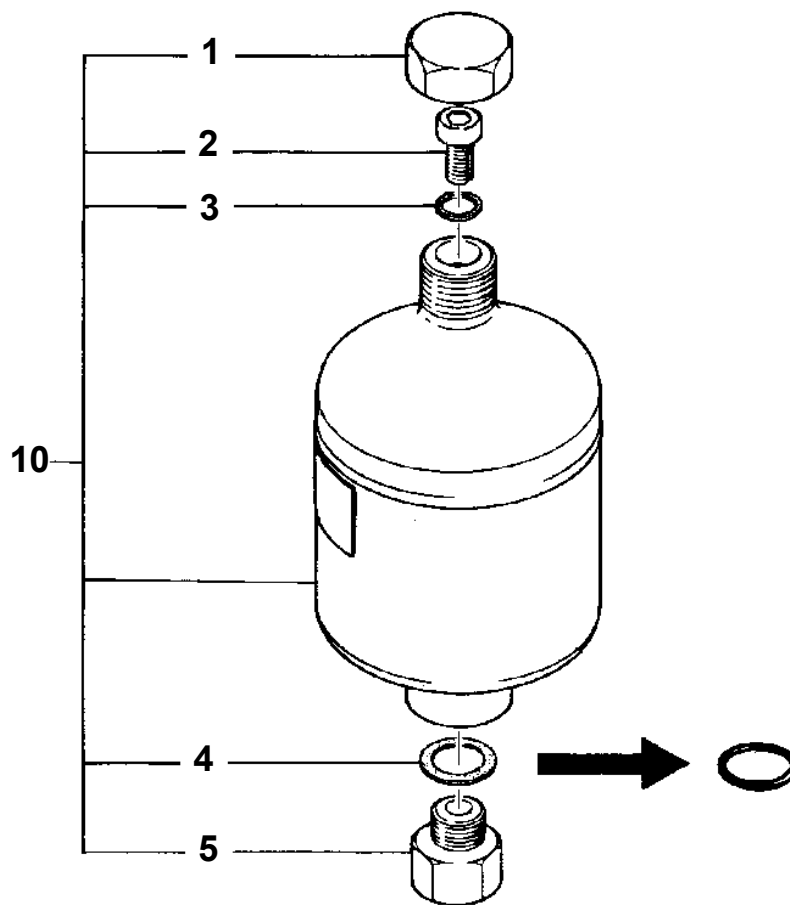
TL-250M-4-20102 4 BOOM + JIB,KS303R

Pos No.	Parts No	Parts Name	Qty	Unit	Technical Data	Serial No (Start)	Serial No (End)	Remarks	Pages
2	36620405010	VALVE ASSY	1						
100	36620400000	VALVE,CHECK	1						

TL-250M-4-20102 4 BOOM + JIB,KS303R

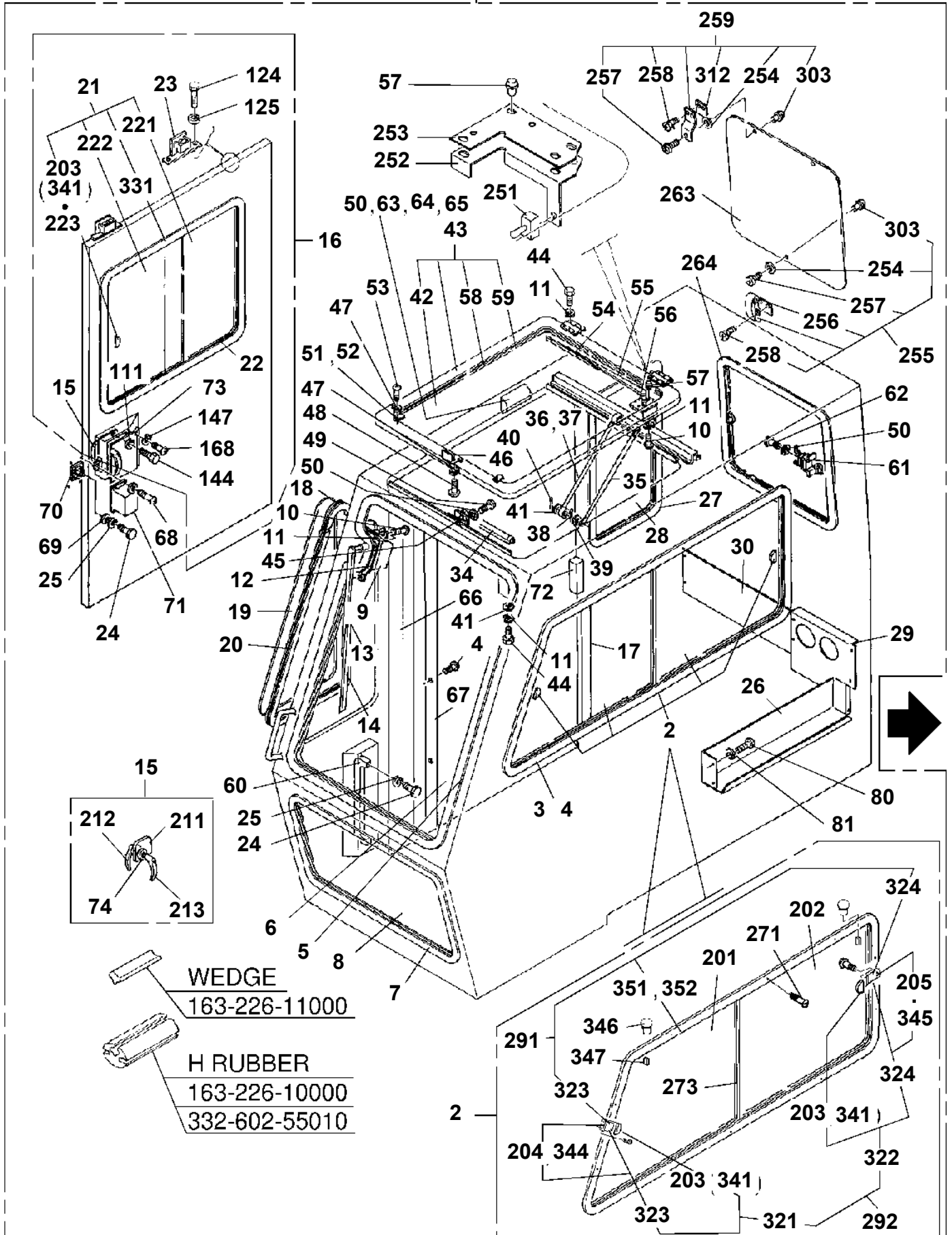
Pos No.	Parts No	Parts Name	Qty	Unit	Technical Data	Serial No (Start)	Serial No (End)	R
2	91002804400	O-RING	3		1B P44			
3	91411004400	RING,BACKUP	3		P44			
6	16265153060	SPRING	1					
9	91002801600	O-RING	1		1B P16			
13	16265153131	SPRING	1					
14	16265153141	SPRING	1					
16	36601665060	O-RING	1		P30			
17	91410003000	RING,BACKUP <P30.	1					
18	91002804000	O-RING	1		1B P40			
20	91002801250	O-RING	1		1B P12.5			
21	91410001250	RING,BACKUP	1		P12.5			
22	91002802600	O-RING	1		1B P26			
30	16265153000	CARTRIDGE, COUNTERBALANCE	1					

TL-250M-4-20102 4 BOOM + JIB,KS303R
PI1340011-01 ACCUMULATOR



**TL-250M-4-20102 4 BOOM + JIB,KS303R
PK1140071-03 CAB,OPERATOR**

400



TL-250M-4-20102 4 BOOM + JIB,KS303R

Pos No.	Parts No	Parts Name	Qty	Unit	Technical Data	Serial No (Start)	Serial No (End)	Remarks	Pages
1	33281781000	COUNTERWEIGHT	1						
2	90101524050	BOLT	3		M24X50				
5	33281440010	PLATE	3						
6	33281472000	SUPPORT	2						

TL-250M-4-20102 4 BOOM + JIB,KS303R

Pos No.	Parts No	Parts Name	Qty	Unit	Technical Data	Serial No (Start)	Serial No (End)
3	37000101050	PIN	1				
4	80613110080	RING,RITAINING	1		8		
10	33320882500	ROD ASSY	1				
17	90303071001	WASHER,PLAIN	1		10		
34	33320871400	LEVER ASSY	1				
35	37000101070	PIN	1				
36	90131510016	BOLT,HEXAGON SOCKET <M10X16.	2				
37	90302041001	WASHER,SPRING	2		10		
40	53620233000	SPRING	1				
42	82100001035	GROMMET	1				
91	90201201400	NUT	1		M14		
92	37004201480	END	1				
181	82100000582	CONNECTOR	1				
182	82100001035	GROMMET	1				
183	33320871500	CABLE	1				
184	33320871210	LEVER	1				
185	32320110250	NUT (BLACK)	1				
186	33320001081	LEVER	1				
187	37001601520	NUT	1		M12		
188	33320001120	KNOB (BLACK)	1				
189	82100001033	SWITCH,PUSH	1				
190	90710006060	SCREW,SET	1		M6X6		
191	82100000578	TERMINAL	2				
192	33320001450	SLEEVE	1				
206	80804022010	BEARING,PLAIN	2				

TL-250M-4-20102 4 BOOM + JIB,KS303R

Pos No.	Parts No	Parts Name	Qty	Unit	Technical Data	Serial No (Start)	Serial No (End)
73	33331041200	SUPPORT	1				
74	80720105020	PIN,SPRING	1		5X20		
75	33331041300	LEVER	1				
82	90201200800	NUT	1		M8		
83	80804010020	BEARING,PLAIN	1				
87	90101208020	BOLT	1		M8X20		
91	37000400510	BEARING,PLAIN	2				
101	33330148040	STOPPER ASSY	1				
102	33331048010	PEDAL ASSY	1				

TL-250M-4-20102 4 BOOM + JIB,KS303R

Pos No.	Parts No	Parts Name	Qty	Unit	Technical Data	Serial No (Start)	Serial No
1	80192485014	SCREW,MACHINE (WITH WASHER)	10		M5X14		
2	33432291100	CASE	1				
3	33431751020	COVER	1				
4	90101208014	BOLT	5		M8X14		
5	90302040801	WASHER,SPRING	5		8		
6	33432231010	TERMINAL ASSY	1				
7	33431751040	RELAY ASSY	1				
8	80172303010	SCREW,MACHINE	4		M3X10		
9	90302040301	WASHER,SPRING	8		3		
10	90303070301	WASHER,PLAIN	8		3		
11	82100001417	RELAY	1				
12	90302040601	WASHER,SPRING	6		6		
13	80182306012	SCREW,MACHINE	5		M6X12		
14	82100001882	LIGHTER,CIGARETTE	1				
15	82400000180	TRAY,ASH	1				
16	33430561200	BUZZER ASSY	1				
17	80176304014	SCREW,MACHINE	2		M4X14		
18	82100000001	HORN	1				
19	82400000201	GROMMET	1		KG-016		
20	34350171640	BUZZER ASSY	1				
21	33432131010	BOX,FUSE	1				
22	80172305020	SCREW,MACHINE	2		M5X20		
23	90302040501	WASHER,SPRING	2		5		
24	90303100501	WASHER,PLAIN	2		5		
25	33431751050	RELAY ASSY (HORN)	1				
26	90190000008	BOLT,STUD	1		M6X20		
27	90201200600	NUT	1		M6		
28	33432291200	SUPPORT	1				
29	90201200300	NUT	8		M3		
30	33432291400	KEY ASSY (WITH HARNESS.AUTO RETURN)	1				
31	33432291300	RELAY ASSY (FAMOTH)	1				
32	80172303020	SCREW,MACHINE	4		M3X20		
50	33432298010	RELAY ASSY	1				
67	82100000745	FUSE	4		10A,6.5X30		
68	82100001348	FUSE	4		15A,6.5X30		
71	82479000901	KEY ASSY	1				
81	82100000564	BUZZER	1				
91	82100000734	RELAY	1				
112	34350003400	RELAY	1				
121	82479000900	KEY (NO.S900/S-1)	1				
131	82100001368	BUZZER	1				

TL-250M-4-20102 4 BOOM + JIB,KS303R

Pos No.	Parts No	Parts Name	Qty	Unit	Technical Data	Serial No (Start)	Serial No (End)	Rema
1	82100001417	RELAY	1					
2	90302040601	WASHER,SPRING	1		6			
3	80182306012	SCREW,MACHINE	1		M6X12			
4	82100001683	SWITCH,TOGGLE	1					
5	82100002261	CONNECTOR (2POLES,MALE)	1					
6	82100002355	TERMINAL (GOLD)	2					

TL-250M-4-20102 4 BOOM + JIB,KS303R

Pos No.	Parts No	Parts Name	Qty	Unit	Technical Data	Serial No (Start)	Serial No (End)	R
1	36092511010	PLATE,NAME	1					
2	13627152000	PLATE,NAME (6TON)	2					
3	12117140000	PLATE,NAME (GREASE)	1					
4	36091521020	PLATE,CAUTION (2- PART LINES)	1					

TL-250M-4-20102 4 BOOM + JIB,KS303R

Pos No.	Parts No	Parts Name	Qty	Unit	Technical Data	Serial No (Start)	Serial No (End)	Remarks	Pages
1	(*****)	PLATE,NAME (AML)	1						

TL-250M-4-20102 4 BOOM + JIB,KS303R

Pos No.	Parts No	Parts Name	Qty	Unit	Technical Data	Serial No (Start)	Serial No (End)
1	33460551000	ACCESSORIES (MAT FOR CRANE CAB)	1				

TL-250M-4-20102 4 BOOM + JIB,KS303R

Pos No.	Parts No	Parts Name	Qty	Unit	Technical Data	Serial No (Start)	Serial No (End)	Remarks	Pages
1	33860360101	SUPPORT	1						
2	33860360201	SUPPORT	1						
3	33860360301	SUPPORT	1						
4	33860350401	SUPPORT	2						
5	33860360400	SUPPORT	2						
6	37000128890	PIN	4						
8	37000305290	SPACER	4		L=150				
9	33860360501	SUPPORT	1						

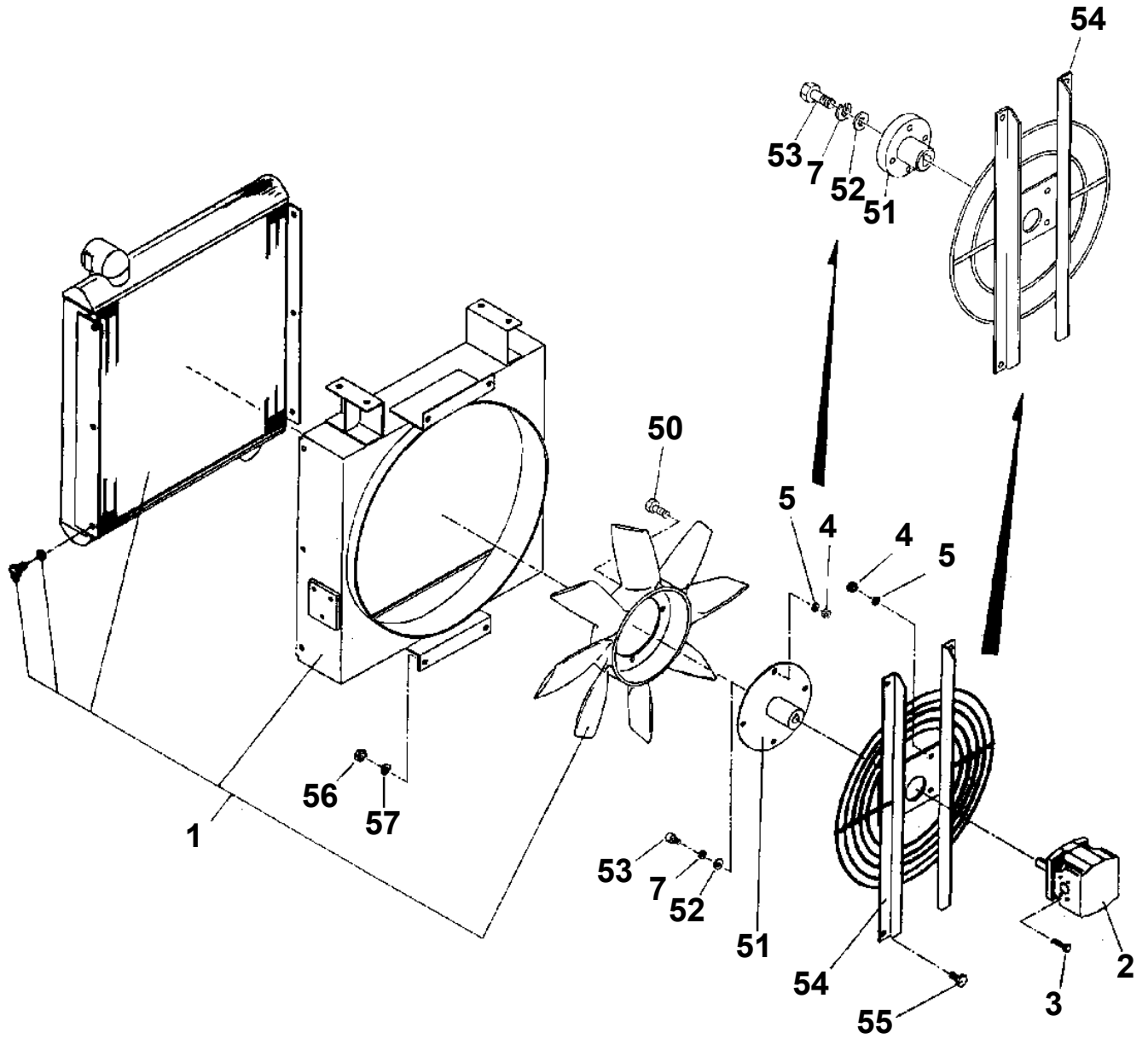
TL-250M-4-20102 4 BOOM + JIB,KS303R

Pos No.	Parts No	Parts Name	Qty	Unit	Technical Data	Serial No (Start)	Serial No (End)	Remarks	Pages
1	33761061000	SUPPORT	1						
2	90101214050	BOLT	4		M14X50				
3	90201201400	NUT	4		M14				
4	90302041401	WASHER,SPRING	4		14				
5	36651200001	PUMP,HYDRAULIC	1						00001
6	90101208020	BOLT	2		M8X20				
7	90302040801	WASHER,SPRING	2		8				
8	90101210035	BOLT	2		M10X35				
9	90201201000	NUT	2		M10				
10	90302041001	WASHER,SPRING	2		10				
11	90303071001	WASHER,PLAIN	2		10				
12	33820240010	SUPPORT	1						
13	33820240020	SUPPORT	1						
14	90303071401	WASHER,PLAIN	2		14				

TL-250M-4-20102 4 BOOM + JIB,KS303R

Pos No.	Parts No	Parts Name	Qty	Unit	Technical Data	Serial No (Start)	Serial No (End)	Remarks	Page
1	33473961010	SUPPORT	1						
2	33473961020	SUPPORT	1						
3	33473961030	SUPPORT	1						
4	33473961040	SUPPORT	1						
5	33473731500	SUPPORT	1						
6	33473731600	SUPPORT	1						
7	37000128870	PIN	1						
8	37000201100	PIN,SNAP	1						
9	33473731700	STOPPER	2						
10	33473961050	SUPPORT	4						
21	37000128820	PIN	1						
22	37001002850	SHEAVE ASSY	1						
23	82456101000	NIPPLE,GREASE	1		A-PT1/8				
24	37000128830	PIN	1						
25	37000201100	PIN,SNAP	1						
26	37000127210	PIN	1						
27	37000200460	PIN,SNAP	1						
28	33473730200	SINGLE TOP	1						
29	80601110700	RING,RITAINING	2		S70				
30	37000128840	PIN	1						
31	80136350045	PIN,SPLIT	1		5X45				
41	37000300590	SPACER	1		L=30				
42	82100002505	CONNECTOR (CN-6)	2						
43	90928040061	SCREW,TAPPING	3		M4X6				
44	82100000207	CLAMP	3						
45	82100002506	CONNECTOR	2						
46	33472002100	SUPPORT	1						
47	33370060100	SUPPORT	1						
48	14128208000	RING	1						
62	80515006214	BEARING,BALL	2						
63	80612111250	RING,RITAINING	1		AR125				
100	33473738030	SINGLE TOP ASSY	1						

TL-250M-4-20102 4 BOOM + JIB,KS303R
PY1300002-04 COOLER,OIL (MOUNT)



CLICK HERE TO **DOWNLOAD** THE COMPLETE MANUAL

- Thank you very much for reading the preview of the manual.
- You can download the complete manual from: www.heydownloads.com by clicking the link below



- Please note: If there is no response to CLICKING the link, please download this PDF first and then click on it.

CLICK HERE TO **DOWNLOAD** THE COMPLETE MANUAL